



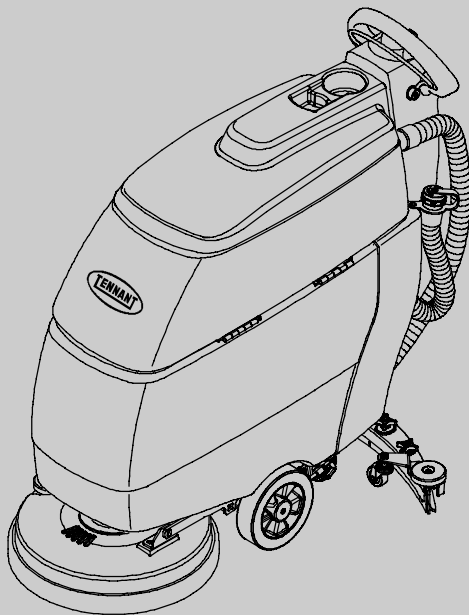
T3

Scrubber

Parts Manual



(S/N 10372394-10477735)



The Safe Scrubbing Alternative®



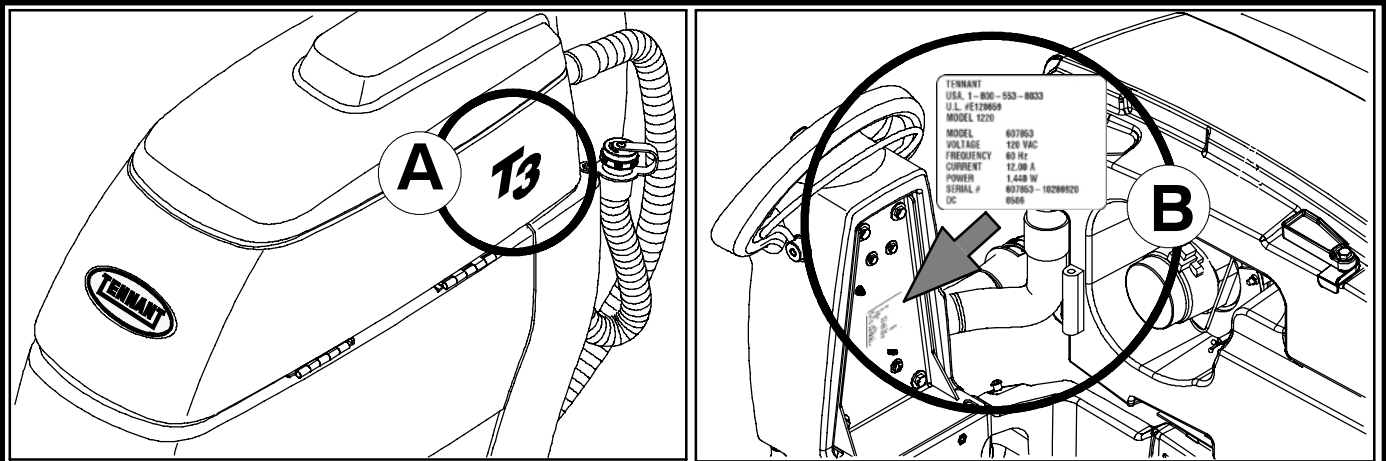
Hygenic® Fully Cleanable Tanks

North America / International

www.tennantco.com

9004172
Rev. 05 (06-2010)





Ref	Part No.	Serial Number	Description	Qty.
1	82681	(000000-)	Bracket Wldt, Lpg Mount	1
▽ 2	63810	(000000-)	Ch Assy, Lpg Tank Mtg, W/Nut	4
▲ 3	51839	(000000-)	at Adjustable, Lpg Tank Mtg	2
4	49263	(000000-)	Tie, Cable	3
82556	82556	(000000-001039)	Bracket, Vaporizer	1
54930	54930	(000000-)	Vaporizer, LPG	1

HOW TO ORDER PARTS - See diagram above

Only use TENNANT Company supplied or equivalent parts. Parts and supplies may be ordered online, by phone, by fax or by mail.

Follow the steps below to ensure prompt delivery.

1. (A) Identify the machine model.
2. (B) Identify the machine serial number from the data label.
3. (C) Ensure the proper serial number is used from the parts list.
4. Identify the part number and quantity.
Do not order by page or reference numbers.
5. Provide your name, company name, customer ID number, billing and shipping address, phone number and purchase order number.
6. Provide detail shipping instructions.

- (D) ▽ - identifies an assembly
 ▲ - identifies parts included in assembly
 (E) ● - identifies a recommended stock item

Please fill out at time of installation for future reference.

Model No. - _____
 Serial No. - _____
 Machine Options - _____
 Sales Rep. - _____
 Sales Rep. phone no. - _____
 Customer ID Number - _____
 Installation Date - _____

Tennant Company

PO Box 1452
 Minneapolis, MN 55440
 Phone: (800) 553-8033 or (763) 513-2850
 www.tennantco.com

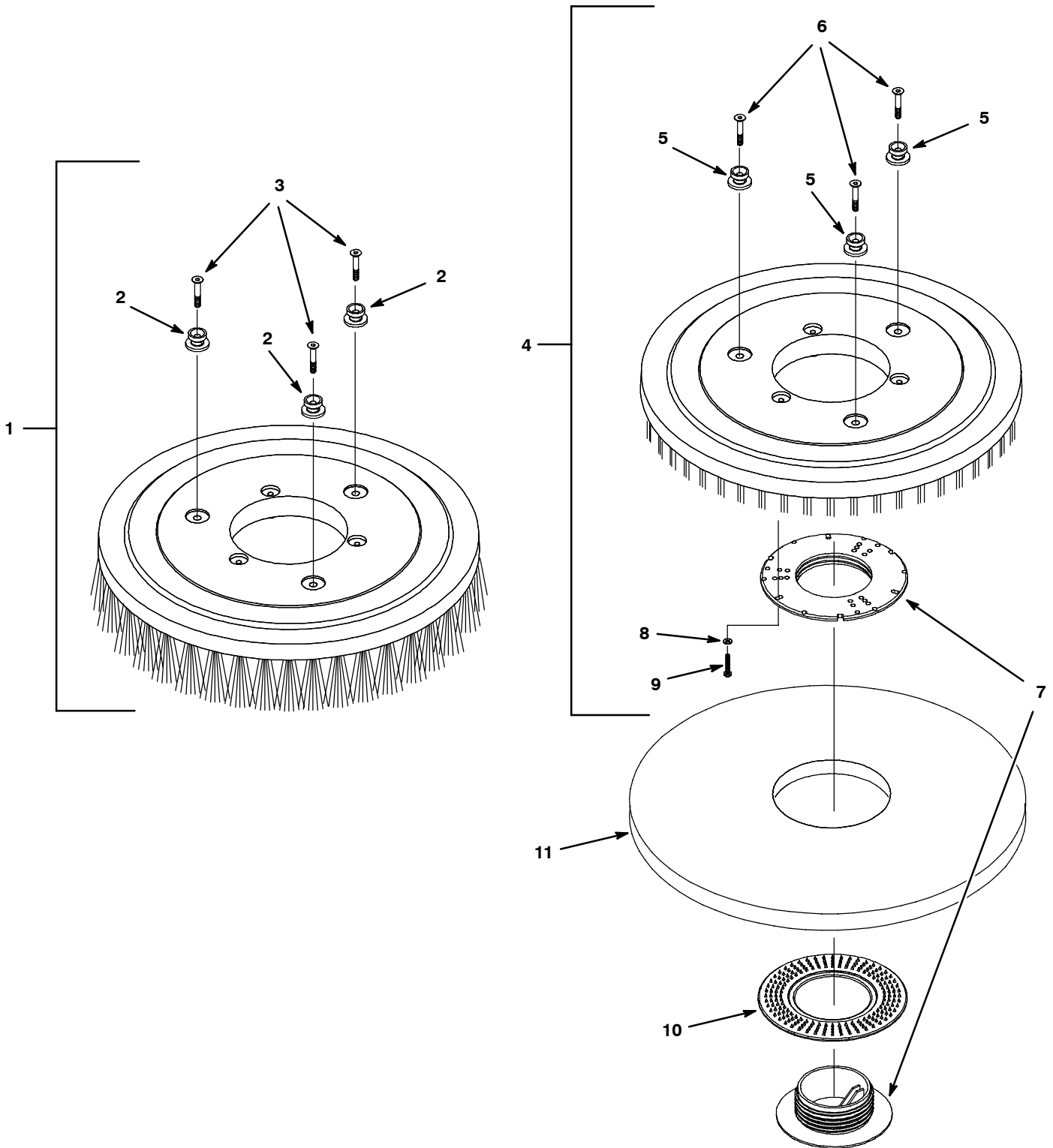
Specifications and parts are subject to change without notice.

Copyright © 2008, 2009, 2010 TENNANT Company, Printed in U.S.A.

TABLE OF CONTENTS

REPLACEMENT BRUSH AND PAD DRIVER GROUP	4	BATTERY GROUP, 12V/155AH, 50 cm (20 in) DRIVE MODEL	50
RECOVERY TANK GROUP	6	BATTERY GROUP, 12V/130AH, 50 cm (20 in) BRUSH ASSIST MODEL	51
RECOVERY TANK GROUP (JAPAN MARKET)	8	BATTERY GROUP, 12V/105AH, 43 cm (17 in) BRUSH ASSIST MODEL	52
VACUUM FAN GROUP	10	BATTERY GROUP, MAINTENANCE FREE, 12V/105AH (JAPAN MARKET)	53
SOLUTION TANK GROUP	12	OFF-BOARD BATTERY CHARGER GROUP ...	54
SOLUTION TANK GROUP - CONTD	14	ON-BOARD BATTERY CHARGER GROUP	56
CONTROL CONSOLE GROUP, DRIVE MODEL	16	ELECTRICAL DIAGRAM, DRIVE STANDARD & FAST MODEL	58
COMPONENT PANEL GROUP, DRIVE MODEL	18	ELECTRICAL DIAGRAM, BRUSH ASSIST STANDARD & FAST MODEL	59
CONTROL CONSOLE GROUP, BRUSH ASSIST MODEL	20	ELECTRICAL DIAGRAM, DRIVE <i>ec-H2O</i> MODEL	60
COMPONENT PANEL GROUP, BRUSH ASSIST MODEL	22	ELECTRICAL DIAGRAM, BRUSH ASSIST <i>ec-H2O</i> MODEL	61
WHEEL GROUP, DRIVE MODEL	24	OPTIONS	
WHEEL GROUP, BRUSH ASSIST MODEL	26	BATTERY GROUP, MAINTENANCE FREE, 12V/140AH	62
SCRUB HEAD GROUP, 43 cm (17 in) MODEL ..	28	BATTERY GROUP, GEL, 12V/100AH	63
SCRUB HEAD GROUP, 50 cm (20 in) MODEL ..	30	OIL RESISTANCE GROUP (JAPAN MARKET)	64
SCRUB HEAD LIFT GROUP	32		
SOLUTION GROUP, FaST MODEL	34		
SOLUTION GROUP, FaST MODEL - CONT'D ..	36		
FAST INJECTOR ASSEMBLY BREAKDOWN ...	38		
SOLUTION GROUP, <i>ec-H2O</i> MODEL	40		
<i>ec-H2O</i> MODULE ASSEMBLY BREAKDOWN, 9007970 (S/N 10449387-)	42		
<i>ec-H2O</i> MODULE ASSEMBLY BREAKDOWN, 9006161 (S/N 10378531-10449386)	44		
SOLUTION GROUP, STANDARD MODEL	46		
SQUEEGEE GROUP	48		

REPLACEMENT BRUSH AND PAD DRIVER GROUP

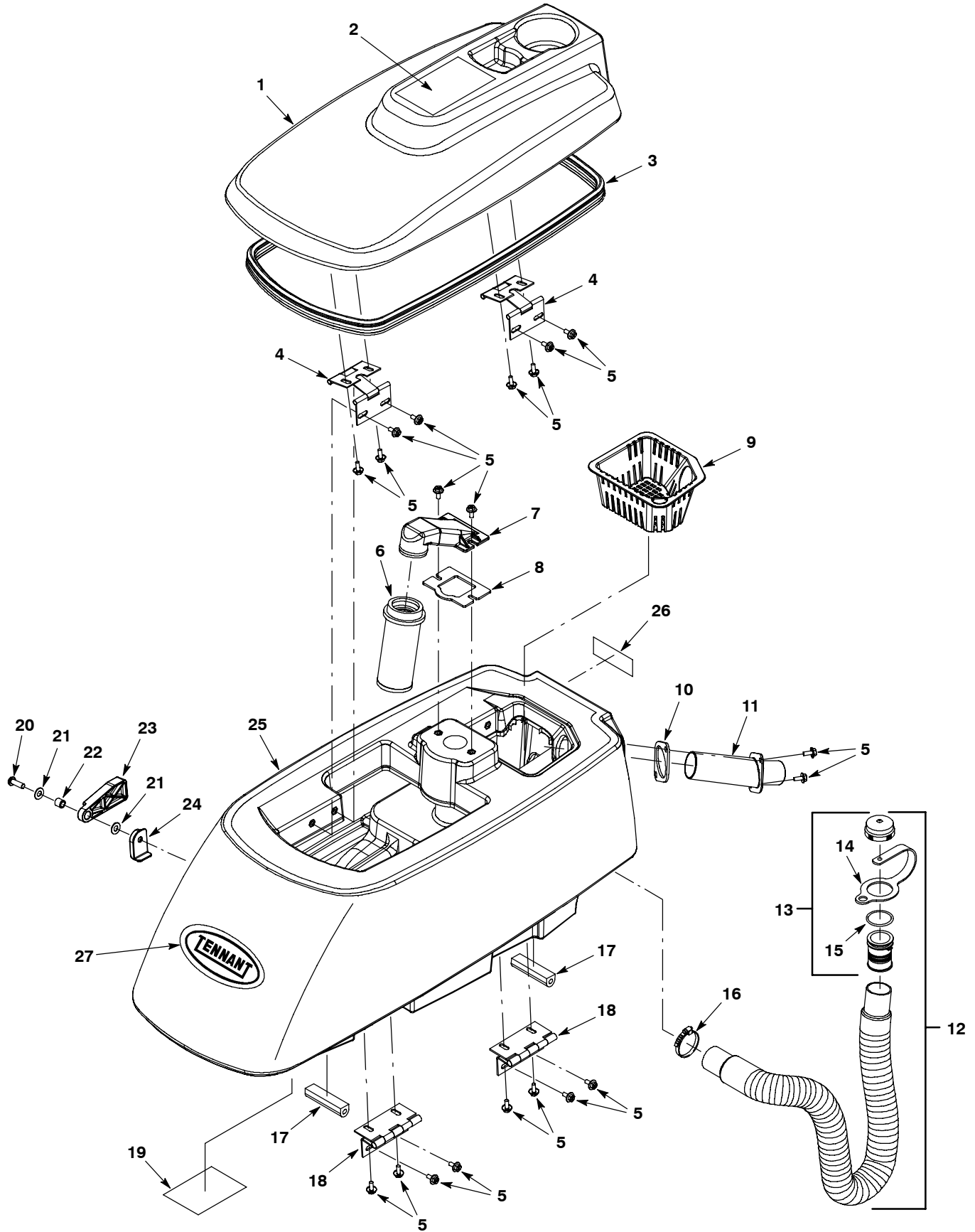


REPLACEMENT BRUSH AND PAD DRIVER GROUP

Ref.	Part No.	Serial Number	Description	Qty.
1	1016763	(10372394-)● Brush Assy, Disk, 43cm/17inch, (Gray-Abrasive Scrub)	1
1	1016764	(10372394-)● Brush Assy, Disk, 43cm/17inch, (White-Soft Nylon Scrub)	1
1	1016765	(10372394-)● Brush Assy, Disk, 43cm/17inch, (Black-Polypropylene Scrub)	1
1	1016805	(10372394-)● Brush Assy, Disk, 50cm/20inch, (Gray-Abrasive Scrub)	1
1	1016810	(10372394-)● Brush Assy, Disk, 50cm/20inch, (White-Soft Nylon Scrub)	1
1	1016811	(10372394-)● Brush Assy, Disk, 50cm/20inch, (Black-Polypropylene Scrub)	1
2	1013018	(10372394-) Stud, Drive, Brush Pad	3
3	07809	(10372394-) Screw, Flt, M6 X 1.0 X 35, 10.9	3
4	1016813	(10372394-)● Driver Assy, Pad, 43cm/17inch	1
4	1016814	(10372394-)● Driver Assy, Pad, 50cm/20inch	1
5	1013018	(10372394-) Stud, Drive, Brush Pad	3
6	07809	(10372394-) Screw, Flt, M6 X 1.0 X 35, 10.9	3
7	32506	(10372394-)● Device, Centering, Rh Pad Retainer	1
8	41579	(10372394-) Washer, Flat, #08, Ss	3
9	04403	(10372394-) Screw, Pan, M4 X 0.7 X 25, Ss, NI	3
10	32505	(10372394-)● Washer, Flat, 3.60b 5.65d .06, Brush Pad	1
11	1050273	(10372394-)● Pad, Polish, 17.0d, White [1pick=1pad] (Polishing)	1
11	1050271	(10372394-)● Pad, Buff, 17.0d, Red [1pick=1pad] (Light Scrubbing & Buffing)	1
11	1050270	(10372394-)● Pad, Scb, 17.0d, Blue [1pick=1pad] (Medium Scrubbing)	1
11	1050267	(10372394-)● Pad, Stripping, 17.0d, Brown[1pick=1pad] (Deep Scrubbing & Stripping)	1
11	1050262	(10372394-)● Pad, Stripping, 17.0d[Hi Pro,1pick=1pad] (Black) (High Productivity Stripper)	1
11	1051028	(10372394-)● Pad, Surf Prep, 17.0d [Mar, 1pick=1pad] (Maroon) (Surface Preparation)	1
11	17260	(10372394-)● Pad, Polish, 20.0d, White [1pick=1pad] (Polishing)	1
11	17261	(10372394-)● Pad, Buff, 20.0d, Red [1pick=1pad] (Light Scrubbing & Buffing)	1
11	17262	(10372394-)● Pad, Scb, 20.0d, Blu [1pick=1pad] (Medium Scrubbing)	1
11	17263	(10372394-)● Pad, Stripping, 20.0d, Brown[1pick=1pad] (Deep Scrubbing & Stripping)	1
11	370094	(10372394-)● Pad, Stripping, 20.0d[Hi Prod,1pick=1pad] (Black) (High Productivity Stripper)	1
11	1051030	(10372394-)● Pad, Surf Prep, 20.0d [Mar, 1pick=1pad] (Maroon) (Surface Preparation)	1

● RECOMMENDED STOCK ITEMS

RECOVERY TANK GROUP



RECOVERY TANK GROUP

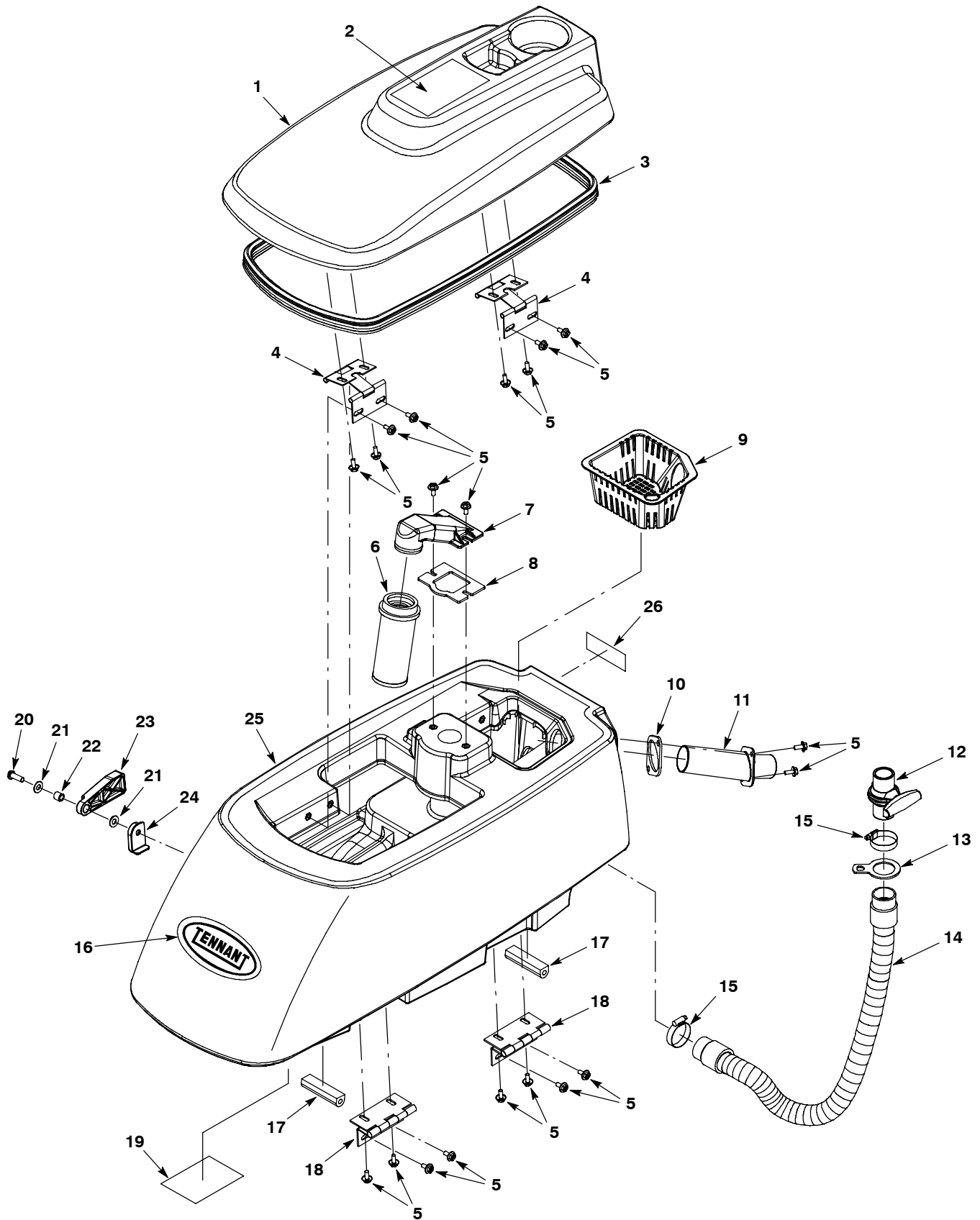
Ref.	Part No.	Serial Number	Description	Qty.
▽	1	9004046	(10372394-) Cover, Tank, Recvy, Afmkt [T3]	1
▲	2	1036679	(10372394-) Label, Warning [Exp,Fre,Shk En/Fr/Es/Jp]	1
▲	3	1022797	(10372394-)● Seal, Bulb, Str, .295grv, 66.93l	1
	4	1021246	(10372394-) Hinge, 4mm Pin 2.0 75.0mmw, 3 Leaf	2
	5	1034731	(10372394-) Screw, Hex, M6 X 1.00 X 16, Sems, Ss	20
	6	630052	(10372394-)● Float, Shut-Off, (2)Ball, 1.75d	1
	7	1011777	(10372394-) Mount, Float, Mold	1
	8	1013628	(10372394-) Gasket, Mtg, Float, .125th, Neo, Adh	1
	9	1036757	(10372394-) Tray, Debris	1
	10	1037106	(10372394-)● Gasket, Adapter, Hose .13, Neo	1
	11	1037064	(10372394-) Tube, Hose, Adapter, 1.5d	1
▽	12	1043538	(10372394-)● Hose Assy, Drain, 1.50id X 29.5l, Blk	1
▲▽	13	1008639	(10372394-)● Cap, Drain Assy	1
▲▲	14	1019563	(10372394-)● Strap, Cap, Drain	1
▲▲	15	1008637	(10372394-)● Seal, Org, 1.48id 1.76od	1
	16	11531	(10372394-) Clamp, Hose, Wormdrive, 1.06-2.00d, .56w	1
	17	630368	(10372394-)● Seal, .75, .75w 25.6l, Adh [D Shape]	1
	18	1012540	(10372394-) Hinge, 6mm Pin 2.5 73.5mmw 100mml, Bent	2
	19	1014154	(10372394-) Label, Instr, Battery [T3]	1
	20	1039118	(10372394-) Screw, Btn, M8 X 1.25 X 30, Blk	1
	21	140027	(10372394-) Washer, Flat, 0.35b 0.75d .04, Ss	2
	22	222460	(10372394-) Sleeve, P/M, 0.31b 0.50d 0.5l [430ss]	1
	23	1022399	(10372394-) Support, Tank, Prop, Blk, Nyl	1
	24	1022904	(10372394-) Bracket, Sppt, Stop, Blk, Nyl	1
	25	9004045	(10372394-) Tank, Recvy, Afmkt [T3] (Teal)	1
	25	9004882	(10372394-) Tank, Recvy, Afmkt Hg [T3] (Gray)	1
	26	391451	(10372394-) Label [Attention Fast Users, 5400s] (Fast Model)	1
	26	1050003	(10378531-) Label, User, Attention, Ec-H2o (ec-H2O Model)	1
	27	1047746	(10372394-) Label, Logo, 06.9l, White, [Tennant] (Teal)	1
	27	1047747	(10372394-) Label, Logo, 06.9l, White, Hg, [Tennant] (Gray)	1

▽ ASSEMBLY

▲ INCLUDED IN ASSEMBLY

● RECOMMENDED STOCK ITEMS

RECOVERY TANK GROUP
(JAPAN MARKET)



**RECOVERY TANK GROUP
(JAPAN MARKET)**

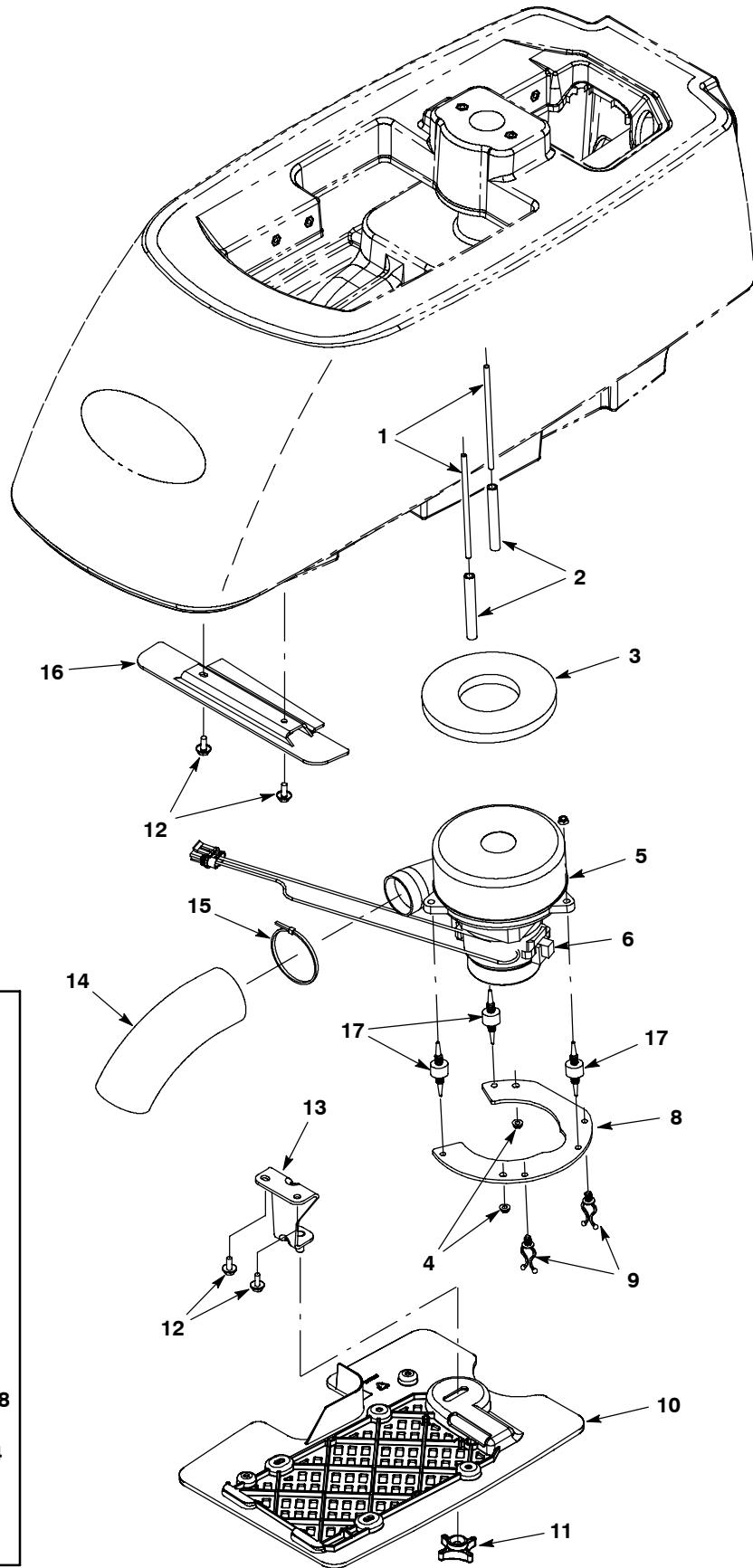
Ref.	Part No.	Serial Number	Description	Qty.
▽	1	9004046	(10372394-) Cover, Tank, Recvy, Afmkt [T3]	1
▲	2	1036679	(10372394-) Label, Warning [Exp,Fre,Shk En/Fr/Es/Jp]	1
▲	3	1022797	(10372394-)● Seal, Bulb, Str, .295grv, 66.93l	1
	4	1021246	(10372394-) Hinge, 4mm Pin 2.0 75.0mmw, 3 Leaf	2
	5	1034731	(10372394-) Screw, Hex, M6 X 1.00 X 16, Sems, Ss	20
	6	630052	(10372394-)● Float, Shut-Off, (2)Ball, 1.75d	1
	7	1011777	(10372394-) Mount, Float, Mold	1
	8	1013628	(10372394-) Gasket, Mtg, Float, .125th, Neo, Adh	1
	9	1036757	(10372394-) Tray, Debris	1
	10	1037106	(10372394-)● Gasket, Adapter, Hose .13, Neo	1
	11	1037064	(10372394-) Tube, Hose, Adapter, 1.5d	1
	12	1051986	(10372394-)● Valve, Hose, Drain	1
	13	1051504	(10372394-)● Strap, Hose, Drain	1
	14	1051438	(10372394-)● Hose, Drain, 1.50id X 19.3l, Blk [Japan Market]	1
	15	11531	(10372394-) Clamp, Hose, Wormdrive, 1.06-2.00d, .56w	2
	16	1047746	(10372394-) Label, Logo, 06.9l, White, [Tennant] (Teal)	1
	17	630368	(10372394-)● Seal, .75, .75w 25.6l, Adh [D Shape]	1
	18	1012540	(10372394-) Hinge, 6mm Pin 2.5 73.5mmw 100mml, Bent	2
	19	1014154	(10372394-) Label, Instr, Battery [T3]	1
	20	1039118	(10372394-) Screw, Btn, M8 X 1.25 X 30, Blk	1
	21	140027	(10372394-) Washer, Flat, 0.35b 0.75d .04, Ss	2
	22	222460	(10372394-) Sleeve, P/M, 0.31b 0.50d 0.5l [430ss]	1
	23	1022399	(10372394-) Support, Tank, Prop, Blk, Nyl	1
	24	1022904	(10372394-) Bracket, Sppt, Stop, Blk, Nyl	1
	25	9004045	(10372394-) Tank, Recvy, Afmkt [T3] (Teal)	1
	26	391451	(10372394-) Label [Attention Fast Users, 5400s] (Fast Model)	1
	26	1050003	(10378531-) Label, User, Attention, Ec-H2o (ec-H2O Model)	1

▽ ASSEMBLY

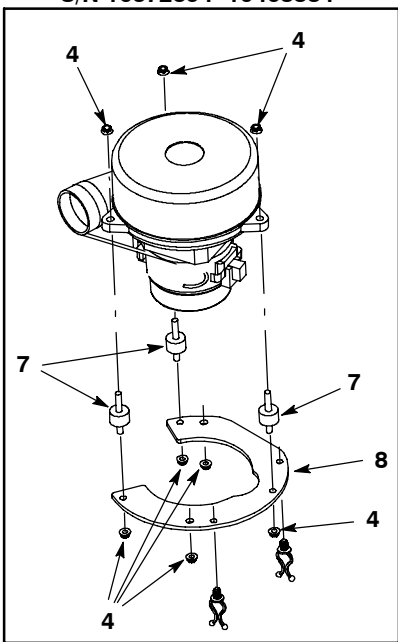
▲ INCLUDED IN ASSEMBLY

● RECOMMENDED STOCK ITEMS

VACUUM FAN GROUP



S/N 10372394-10468884



VACUUM FAN GROUP

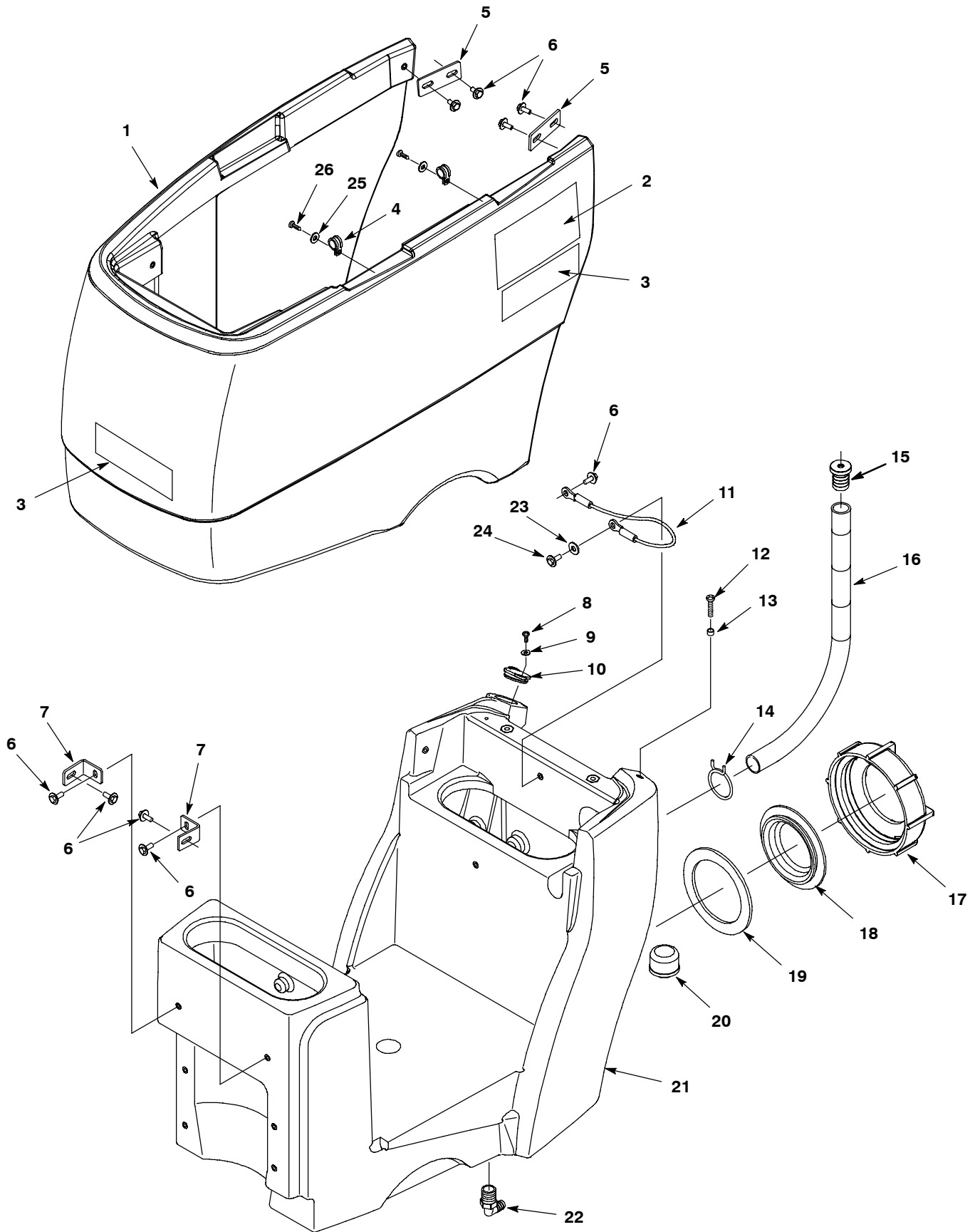
Ref.	Part No.	Serial Number	Description	Qty.	
1	1015412	(10372394-) Rod, Thrd, Full, M06 X 1.0 05.5l	2	
2	1024575	(10372394-) Tube, 0.28id 0.43od 03.3l, PI	2	
3	100038	(10372394-)● Gasket, .50, 02.63id 05.75od, Adh [Epdm]	1	
4	1040381	(10468885-) Nut, Hex, Flng, M6 X 1.0, Ss [Serrated]	2	
4	1040381	(10372394-10468884) Nut, Hex, Flng, M6 X 1.0, Ss [Serrated]	8	
▽	5	1023271	(10372394-)● Fan, Vacuum, 5.7d, 024vdc, 2 Stage [Bpt]	1
▲	6	372883	(10372394-)● Vr, Brush Kit, Motor, Ele	1
7	1011093	(10372394-10468884)● Isolator, Vib, .75d, M6 Stud Both Ends	3	
8	1011962	(10372394-) Bracket, Mtg, Vacuum	1	
9	30406	(10372394-) Clip, Keeper	2	
10	1037849	(10372394-) Cover, Charger	1	
11	1010558	(10372394-)● Knob, Star, 2.00d 4ear 0.7l M8x1.25,Thru	1	
12	1034731	(10372394-) Screw, Hex, M6 X 1.00 X 16, Sems, Ss	4	
13	1038222	(10372394-) Bracket, Wldt, Charger Cover	1	
14	1009906	(10372394-)● Muffler, Exhaust, Vacuum, 170mml [T3]	1	
15	130773	(10372394-) Tie, Cable, Nyl, 11.0l, .14w, 3.0 Max. D	1	
16	1037905	(10372394-) Bracket, Catch, Cover [Raptor]	1	
17	1057777	(10468885-) Isolator, Vib, .75d	3	

▽ ASSEMBLY

▲ INCLUDED IN ASSEMBLY

● RECOMMENDED STOCK ITEMS

SOLUTION TANK GROUP



SOLUTION TANK GROUP

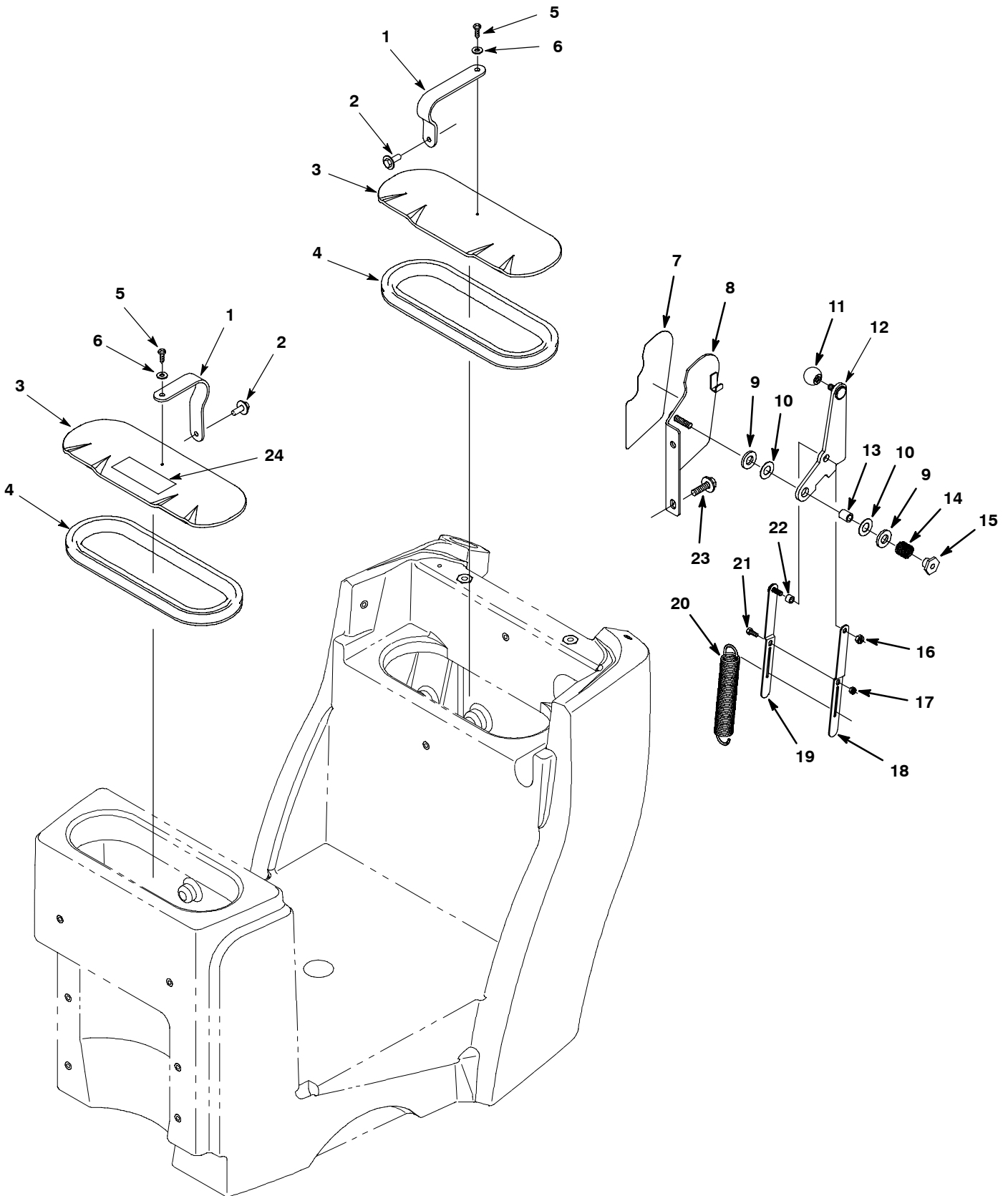
Ref.	Part No.	Serial Number	Description	Qty.
▽	1	1037658	(10372394-) Shroud, Front, Afmkt, Rm-Teal (Standard & Fast Model)	1
▲	2	1056317	(10372394-) Label, Side [T3]	2
▲	2	1056544	(10372394-) Label, Side [T3 Fast]	2
▽	1	1046674	(10378531-) Shroud, Front, Afmkt, Rm-Teal (ec-H2O Model)	1
▲	2	1056317	(10372394-) Label, Side [T3]	2
▲	3	1050001	(10378531-) Label, Side, Ec-H2o [T3/T3e/T5/T7]	3
▽	1	1037659	(10372394-) Shroud, Front, Afmkt, Rm-Gray (Standard & Fast Model)	1
▲	2	1016625	(10372394-) Label, Side [T3]	2
▲	2	1016626	(10372394-) Label, Side [T3 Fast]	2
▽	1	1046675	(10378531-) Shroud, Front, Afmkt, Rm-Gray (ec-H2O Model)	1
▲	2	1016625	(10372394-) Label, Side [T3]	2
▲	3	1050002	(10378531-) Label, Side, Ec-H2o [T3/T5/T7 Gray]	3
	4	1016354	(10372394-) Clamp, Cable, Ss, 0.50d X 0.50w [Insul]	2
	4	140314	(10372394-) Clamp, Cable, Stl, 0.75d X 0.75w, 1 Hole (Australian Model)	2
	5	1012614	(10372394-) Bracket, Attmnt, Shrd	2
	6	1034731	(10372394-) Screw, Hex, M6 X 1.00 X 16, Ss, Sems	10
	7	1012544	(10372394-) Bracket, Sppt, Shrd	2
	8	1018155	(10372394-) Screw, Pan, M5 X 0.8 X16, Ss, Tcut	1
	9	01683	(10372394-) Washer, Flat, 0.22b 0.50d .05, Ss [#10]	1
	10	1012965	(10372394-)● Cap, Port, Soltn Fill	1
	11	140960	(10372394-) Cable, Glv .13d 014.5l .34eye /.34eye	1
	12	608322	(10372394-) Screw, Trs, M6 X 1.00 X 16, Phl, Ss	1
	13	140154	(10372394-) Sleeve, P/M, 0.25b 0.38d 0.3l, Pl	1
	14	608915	(10372394-) Clamp, Hose, Wir, 1.03 - 1.09	1
	15	1035469	(10372394-) Fitting, Plastic, Bm12 [Sight Tube]	1
	16	1011721	(10372394-)● Hose, Drain, 0.75id X 25.6l, Vyl	1
	17	1014001	(10372394-) Cap, Tank, Drain, Thrdr	1
	18	1014029	(10372394-) Plug, Cap, Gray	1
	19	375206	(10372394-)● Gasket, 4.05id 5.47od .19, Neo	1
	20	1015522	(10372394-)● Filter, Screen, 080 Mesh, Ss, Pf08	1
	21	1018741	(10372394-) Tank, Soltn, Afmkt [T3]	1
	22	1013505	(10372394-) Fitting, Plstc, E90, Bm08/Pm08, Nyl	1
	23	01684	(10372394-) Washer, Flat, 0.27b 0.69d .05, Ss	1
	24	11329	(10372394-) Screw, Hex, M6 X 1.00 X 16, NI, Ss	1
	25	01683	(10372394-) Washer, Flat, 10, Ss (Australian Model)	2
	26	1018155	(10372394-) Screw, Pan, M5 X 0.8 X16, Ss, Tcut	2

▽ ASSEMBLY

▲ INCLUDED IN ASSEMBLY

● RECOMMENDED STOCK ITEMS

SOLUTION TANK GROUP - CONTD

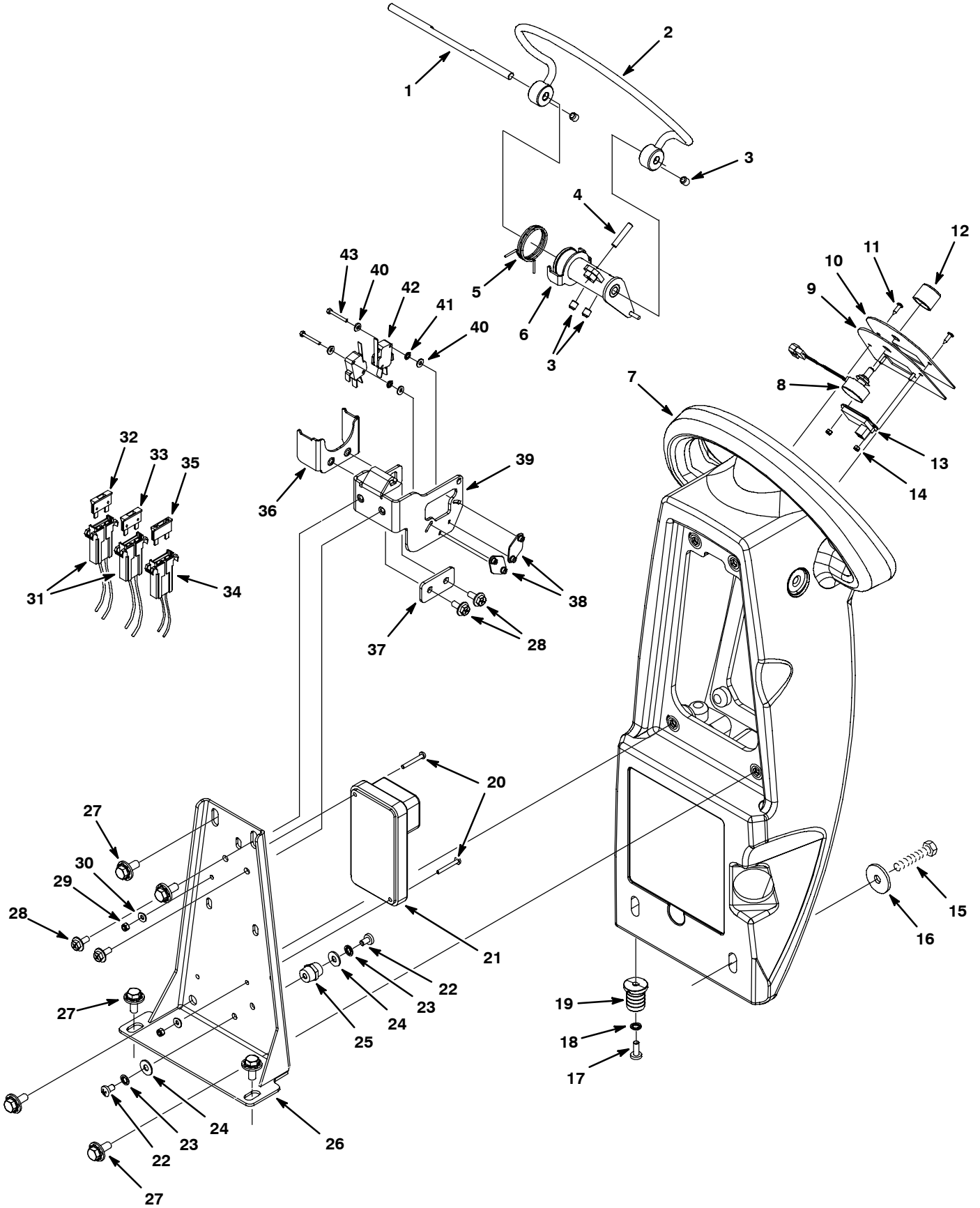


SOLUTION TANK GROUP - CONTD

Ref.	Part No.	Serial Number	Description	Qty.
1	1013768	(10372394-)● Strap, Retaining, 20mm X 159mm X 3.2,Blk	2
2	1034731	(10372394-) Screw, Hex, M6 X 1.00 X 16, Ss, Sems	2
3	1011585	(10372394-) Cover, Tank, Soltn	2
4	1017251	(10372394-)● Seal, Bulb, 90, 0.49d .08-.09grip 022.2l	2
5	1018155	(10372394-) Screw, Pan, M5 X 0.8 X16, Ss, Tcut	2
6	01683	(10372394-) Washer, Flat, 0.22b 0.50d .05, Ss [#10]	2
7	1018389	(10372394-) Label, Lever, Dual Down Press	1
8	1018020	(10372394-) Bracket Wldt, Mtg, Dual Dp Lever [T3]	1
9	140127	(10372394-) Bearing, Thrust, 0.51b 1.00d 0.12w, Brz	2
10	89710	(10372394-) Washer, Flat, 0.51b 1.00d .03, Nyl	2
11	1017156	(10372394-)● Knob, Ball, M8 Insert, 40mmd, Plstc	1
12	1017493	(10372394-) Lever, Lift, Dual Down Press	1
13	1014336	(10372394-) Sleeve, P/M, 8.40b 12.60d 14.5l, PI	1
14	1018756	(10372394-) Spring, Cmpr, 0.70od .08wir 00.7l, PI,Mw	1
15	1018181	(10372394-) Retainer, Spring, Lever	1
16	08708	(10372394-) Nut, Hex, Lock, M6 X 1.00, NI	1
17	09739	(10372394-) Nut, Hex, Lock, M5 X 0.80, NI, Ss	1
18	1017805	(10372394-) Link, Spring, Lever	1
19	1017882	(10372394-) Link Wldt, Spring, Lever	1
20	1031783	(10372394-) Spring, Extn, 1.00od 0.12wir 06.3l	1
21	09738	(10372394-) Screw, Hex, M5 X 0.8 X 12, Ss	1
22	1017884	(10372394-) Bushing, Sleeve, 6mmb 10mmd 7mml	1
23	1020341	(10372394-) Screw, Hex, M8 X 1.25 X 20, Ss, Sems Sq	2
24	391451	(10372394-) Label [Attention Fast Users, 5400s] (Fast Model)	1
24	1050003	(10378531-) Label, User, Attention, Ec-H2o (ec-H2O Model)	1

● RECOMMENDED STOCK ITEMS

CONTROL CONSOLE GROUP, DRIVE MODEL



CONTROL CONSOLE GROUP, DRIVE MODEL

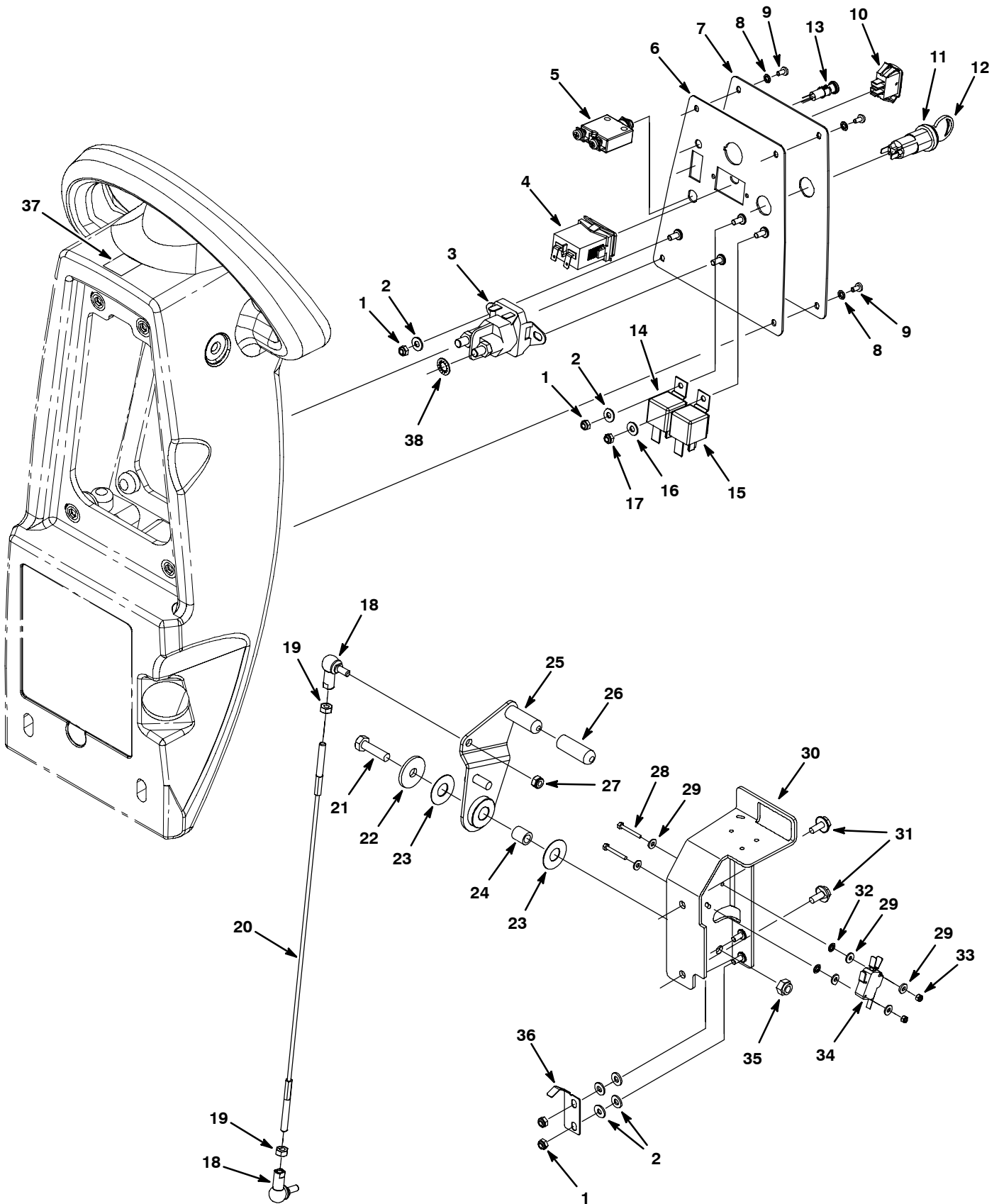
Ref.	Part No.	Serial Number	Description	Qty.
1	1013342	(10372394-) Shaft, Actuator, Forward / Reverse	1
2	1013363	(10372394-) Lever Wldt, Bail, Console	1
3	1015578	(10372394-) Screw, Set, M8 X 1.25 X 8, Ss, NI[Cuppt]	4
4	1018559	(10372394-) Screw, Set, M6 X 1.00 X 30, Ss [Fltpt]	1
5	630088	(10372394-) Spring, Tors, Cntr, .072, Pl, Mw	1
6	1013381	(10372394-) Collar Wldt, Actuator, Console	1
7	1018745	(10372394-) Housing, Cntrl, Afmkt [T3]	1
8	1042687	(10372394-) Harness, Pot, Wire Assy [45k Ohm]	1
9	1011707	(10372394-) Panel, Cntrl, Upper	1
10	1014157	(10372394-) Label, Opertnl, Upper, Propel [Tt]	1
11	140825	(10372394-) Screw, Pan, Phl, 06 X 0.50, Fmg/Ab, Blk	2
12	606550	(10372394-)● Knob, Rnd, 0.92d 0.76l 0.25b, Plstc	1
13	392894	(10372394-)● Gauge, Discharge, Battery, 36vdc, Rt,Led	1
14	579211	(10372394-) Nut, Hex, Lock, M3 X 0.50, NI, Ss	2
15	09026	(10372394-) Screw, Hex, M8 X 1.25 X 40, Ss	2
16	1016331	(10372394-) Washer, Flat, 0.34b 1.25d .11, Ss	2
17	367770	(10372394-) Screw, Pan, Phl, M6 X 1.00 X 16, Ss	1
18	07515	(10372394-) Washer, Lock, Int, 0.25, Ss	1
19	1035469	(10372394-) Fitting, Plstc, Bm12 [Sight Tube]	1
20	33931	(10372394-) Screw, Pan, Phl, M4 X 0.70 X 30, Ss	2
21	1052260	(10372394-)● Module, Drive [T3]	1
22	48732	(10372394-) Screw, Pan, Phl, M6 X 1.00 X 10, Ss	2
23	07515	(10372394-) Washer, Lock, Int, 0.25, Ss	2
24	01684	(10372394-) Washer, Flat, 0.27b 0.69d .05, Ss	2
25	1013523	(10372394-)● Stand-Off, Wir, M6, 18 Hex, 20l, Insul	1
26	1054129	(10372394-) Bracket, Hsng, Cntrl, Alm [T3, Ss3]	1
27	1020341	(10372394-) Screw, Hex, M8 X 1.25 X 20, Ss, Sems	6
28	1034731	(10372394-) Screw, Hex, M6 X 1.00 X 16, Sems, Ss	4
29	33932	(10372394-) Nut, Hex, Lock, M4 X 0.70, NI, Ss	2
30	41579	(10372394-) Washer, Flat, 08, Ss	2
▽	31	9006228	(10372394-)● Harness Kit, Main, Drive [T3 Na]	1
▲	32	1016040	(10372394-)● Fuse, Blade, 25a, 32vdc	1
▲	33	1016041	(10372394-)● Fuse, Blade, 30a, 32vdc	1
▽	31	9006226	(10372394-)● Harness Kit, Main, Drive [T3 Mid Emc] (Australian Model)	1
▲	32	1016040	(10372394-)● Fuse, Blade, 25a, 32vdc	1
▲	33	1016041	(10372394-)● Fuse, Blade, 30a, 32vdc	1
▽	34	1013644	(10372394-)● Harness [Fast Option] (Fast Model)	1
▲	35	1016039	(10372394-)● Fuse, Blade, 7.5a, 32vdc	1
▽	34	1055406	(10448601-)● Harness Assy, Wire [T3 Ec-H2o] (ec-H2O Model)	1
▲	35	1047470	(10378531-)● Fuse, Blade, 10a, 32vdc, Red	1
▽	34	1048126	(10378531-10448600)● Harness Assy, Wire [T3 Ec-H2o, P3] (ec-H2O Model)	1
▲	35	1047470	(10378531-)● Fuse, Blade, 10a, 32vdc, Red	1
	36	1015570	(10372394-) Bracket, Spring, Balancer, Bail	1
	37	1015826	(10372394-) Plate, Screw, Bail	1
	38	1013705	(10372394-) Plate, Thread, Switch, M3 Nut, 96hr Pl	2
	39	1013364	(10372394-) Bracket, Switch, Bail	1
	40	41578	(10372394-) Washer, Flat, 06, Ss	8
	41	02938	(10372394-) Washer, Lock, Int, 08, Ss	4
	42	1012568	(10372394-)● Switch, Snap, 10a, Short	2
	43	1042062	(10372394-) Screw, Hex, M3 X 0.5 X 25, Ss	4

▽ ASSEMBLY

▲ INCLUDED IN ASSEMBLY

● RECOMMENDED STOCK ITEMS

COMPONENT PANEL GROUP, DRIVE MODEL



COMPONENT PANEL GROUP, DRIVE MODEL

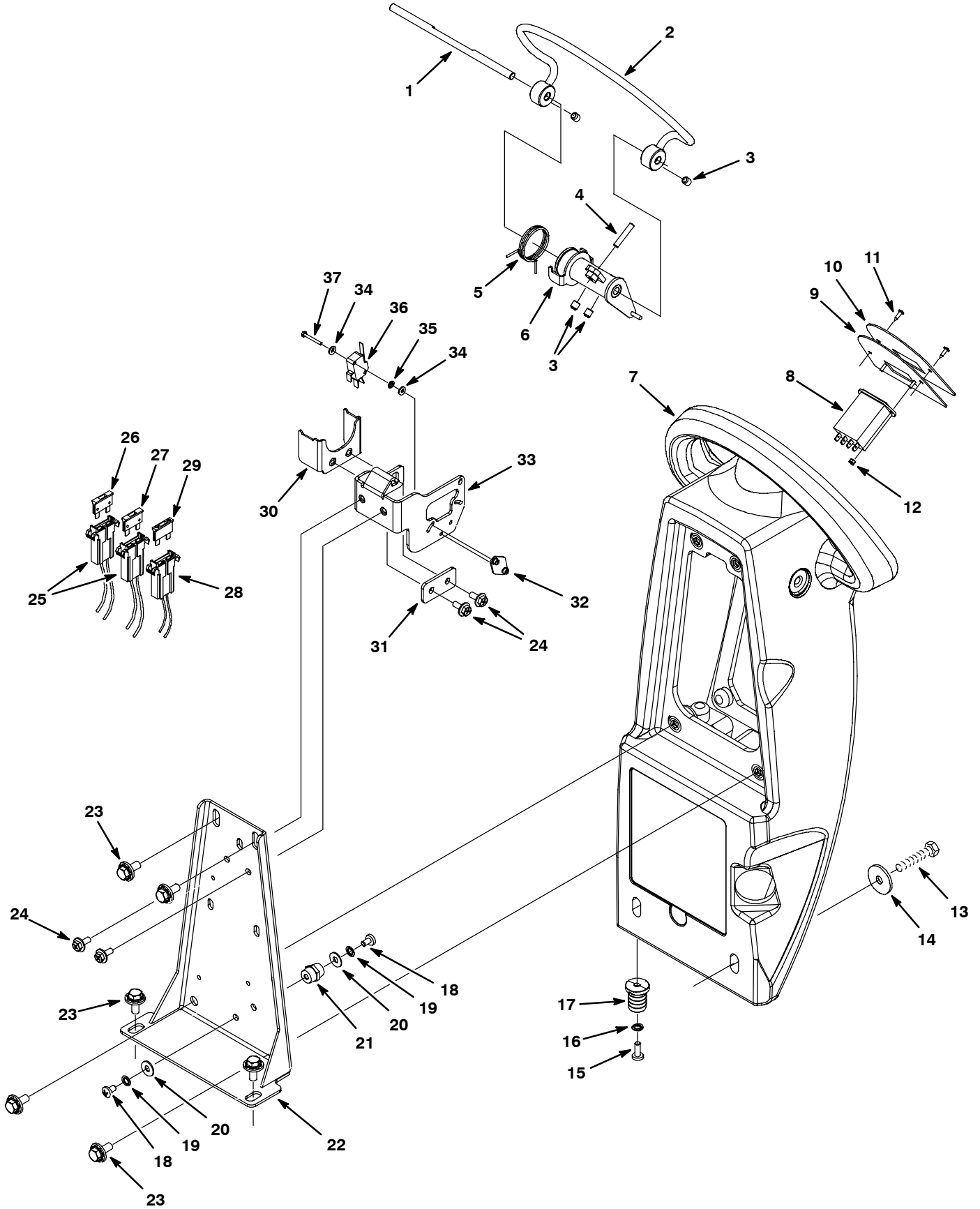
Ref.	Part No.	Serial Number	Description	Qty.
1	09739	(10372394-) Nut, Hex, Lock, M5 X 0.80, NI, Ss	5
2	01683	(10372394-) Washer, Flat, 10, Ss	7
3	1038490	(10372394-)● Relay, 24vdc, 100a, No [Trombetta]	1
4	1011282	(10372394-)● Gauge, Hourmeter, 12/60 Vdc [Ret Mount]	1
5	1057902	(10372394-)● Circuitbreaker, 35.0a	1
6	1012134	(10372394-) Panel, Cntrl, Lower	1
7	1016628	(10372394-) Label, Panl, Instmt, Lower [T3/T3e/Ss3]	1
7	1049998	(10378531-) Label, Console, Lower Ec-H2o [T3 Na/Aej] (ec-H2O Model)	1
8	02938	(10372394-) Washer, Lock, Int, 08, Ss	4
9	391403	(10372394-) Screw, Pan, Phl, M4 X 0.70 X 8, Ss	4
10	130787	(10372394-) Switch, Rocker, Spdt (Fast & ec-H2O Model)	1
▽	11	1011402	(10372394-)● Switch, Key	1
▲	12	1017696	(10372394-)● Key Set, Replmt [F/ Keyswitch 1011402]	1
13	1041822	(10378531-)● Light, Panel, Mgt, .312" Dia. (ec-H2O Model)	1
14	1012216	(10372394-)● Relay, 24vdc, 070a, Spst No, Plug-In	1
15	1012216	(10372394-)● Relay, 24vdc, 070a, Spst No, Plug-In (Fast Model)	1
16	01683	(10372394-) Washer, Flat, 10, Ss (Fast Model)	1
17	09739	(10372394-) Nut, Hex, Lock, M5 X 0.80, NI, Ss (Fast Model)	1
18	1012747	(10372394-) Balljoint, M06 X 1.0 Fem, M06 X 1.0 Mal	2
19	07785	(10372394-) Nut, Hex, Std, M6 X 1.00, Ss	2
20	1013479	(10372394-) Cable, Glv 3.18mmd 0422l M6/ M6	1
21	09011	(10372394-) Screw, Hex, M8 X 1.25 X 30, Ss	1
22	1016331	(10372394-) Washer, Flat, 0.34b 1.25d .11, Ss	1
23	1013397	(10372394-) Washer, Flat, M13 X 30 X 0.8, Nyl	2
24	1014336	(10372394-) Sleeve, P/M, 8.40b 12.60d 14.5l, PI	1
25	1013329	(10372394-) Lever Wldt, Sqge	1
26	1016895	(10372394-)● Cap, Handle, Sqge Lift	1
27	08712	(10372394-) Nut, Hex, Lock, M6 X 1.00, NI, Ss	1
28	1042062	(10372394-) Screw, Hex, M3 X 0.5 X 25, Ss	2
29	41578	(10372394-) Washer, Flat, 06, Ss	6
30	1012850	(10372394-) Bracket Wldt, Lever, Sqge	1
31	1034731	(10372394-) Screw, Hex, M6 X 1.00 X 16, Sems, Ss	2
32	02938	(10372394-) Washer, Lock, Int, 08, Ss	2
33	579211	(10372394-) Nut, Hex, Lock, M3 X 0.50, NI, Ss	2
34	1012568	(10372394-)● Switch, Snap, 10a, Short	1
35	08713	(10372394-) Nut, Hex, Lock, M8 X 1.25, NI, Ss	1
36	1015459	(10372394-) Spring, Lever, Sqge	1
37	1016572	(10372394-) Label, Dir	1
38	43952	(10372394-) Washer, Lock, Int, 0.31, Ss	1

▽ ASSEMBLY

▲ INCLUDED IN ASSEMBLY

● RECOMMENDED STOCK ITEMS

CONTROL CONSOLE GROUP, BRUSH ASSIST MODEL



CONTROL CONSOLE GROUP, BRUSH ASSIST MODEL

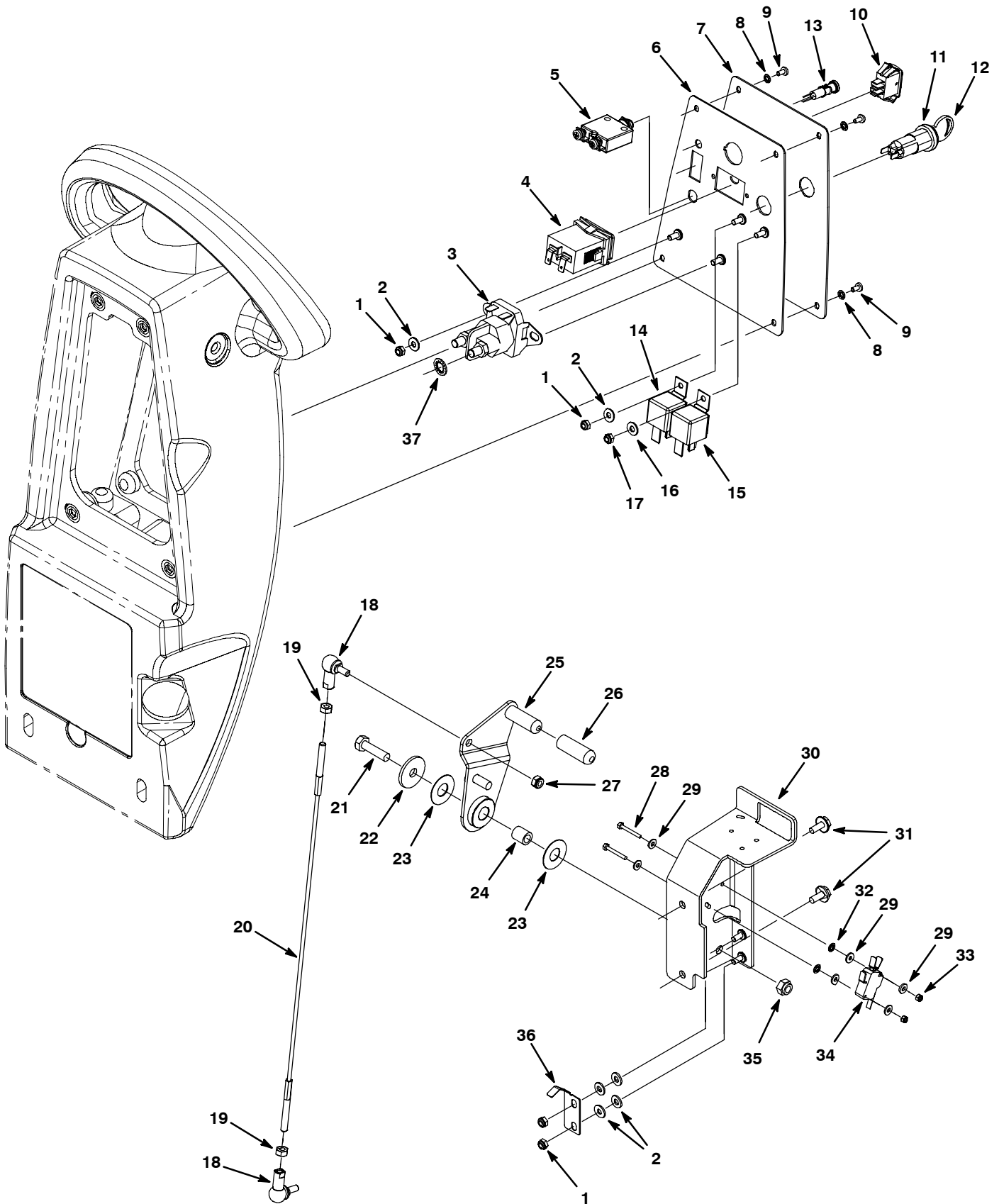
Ref.	Part No.	Serial Number	Description	Qty.
1	1013342	(10372394-) Shaft, Actuator, Forward / Reverse	1
2	1013363	(10372394-) Lever Wldt, Bail, Console	1
3	1015578	(10372394-) Screw, Set, M8 X 1.25 X 8, Ss, NI[Cuppt]	4
4	1018559	(10372394-) Screw, Set, M6 X 1.00 X 30, Ss [Fltpt]	1
5	630088	(10372394-) Spring, Tors, Cntr, .072, Pl, Mw	1
6	1013381	(10372394-) Collar Wldt, Actuator, Console	1
7	1018745	(10372394-) Housing, Cntrl, Afmkt [T3]	1
8	1057627	(10372394-)● Indicator, Battery, 24vdc, 1.73volt/Cell	1
9	1011707	(10372394-) Panel, Cntrl, Upper	1
10	1016755	(10372394-) Label, Opertnl, Upper, Brush Assist	1
11	140825	(10372394-) Screw, Pan, Phl, 06 X 0.50, Fmg/Ab, Blk	2
12	579211	(10372394-) Nut, Hex, Lock, M3 X 0.50, NI, Ss	2
13	09026	(10372394-) Screw, Hex, M8 X 1.25 X 40, Ss	2
14	1016331	(10372394-) Washer, Flat, 0.34b 1.25d .11, Ss	2
15	367770	(10372394-) Screw, Pan, Phl, M6 X 1.00 X 16, Ss	1
16	07515	(10372394-) Washer, Lock, Int, 0.25, Ss	1
17	1035469	(10372394-) Fitting, Plstc, Bm12 [Sight Tube]	1
18	48732	(10372394-) Screw, Pan, Phl, M6 X 1.00 X 10, Ss	2
19	07515	(10372394-) Washer, Lock, Int, 0.25, Ss	2
20	01684	(10372394-) Washer, Flat, 0.27b 0.69d .05, Ss	2
21	1013523	(10372394-)● Stand-Off, Wir, M6, 18 Hex, 20l, Insul	1
22	1054129	(10372394-) Bracket, Hsng, Cntrl, Alm [T3, Ss3]	1
23	1020341	(10372394-) Screw, Hex, M8 X 1.25 X 20, Ss, Sems	6
24	1034731	(10372394-) Screw, Hex, M6 X 1.00 X 16, Sems, Ss	4
∇	25	9006229	(10372394-)● Harness Kit, Main, Push [T3 Na]	1
▲	26	1016040	(10372394-)● Fuse, Blade, 25a, 32vdc	1
▲	27	1016041	(10372394-)● Fuse, Blade, 30a, 32vdc	1
∇	25	9006227	(10372394-)● Harness Kit, Main, Push [T3 Mid Emc] (Australian Model)	1
▲	26	1016040	(10372394-)● Fuse, Blade, 25a, 32vdc	1
▲	27	1016041	(10372394-)● Fuse, Blade, 30a, 32vdc	1
∇	28	1013644	(10372394-)● Harness [Fast Option] (Fast Model)	1
▲	29	1016039	(10372394-)● Fuse, Blade, 7.5a, 32vdc	1
∇	28	1055406	(10448601-)● Harness Assy, Wire [T3 Ec-H2o] (ec-H2O Model)	1
▲	29	1047470	(10378531-)● Fuse, Blade, 10a, 32vdc, Red	1
∇	28	1048126	(10378531-10448600)● Harness Assy, Wire [T3 Ec-H2o, P3] (ec-H2O Model)	1
▲	29	1047470	(10378531-)● Fuse, Blade, 10a, 32vdc, Red	1
	30	1015570	(10372394-) Bracket, Spring, Balancer, Bail	1
	31	1015826	(10372394-) Plate, Screw, Bail	1
	32	1013705	(10372394-) Plate, Thread, Switch, M3 Nut, 96hr PI	1
	33	1013364	(10372394-) Bracket, Switch, Bail	1
	34	41578	(10372394-) Washer, Flat, 06, Ss	4
	35	02938	(10372394-) Washer, Lock, Int, 08, Ss	2
	36	1012568	(10372394-)● Switch, Snap, 10a, Short	1
	37	1042062	(10372394-) Screw, Hex, M3 X 0.5 X 25, Ss	2

∇ ASSEMBLY

▲ INCLUDED IN ASSEMBLY

● RECOMMENDED STOCK ITEMS

COMPONENT PANEL GROUP, BRUSH ASSIST MODEL



COMPONENT PANEL GROUP, BRUSH ASSIST MODEL

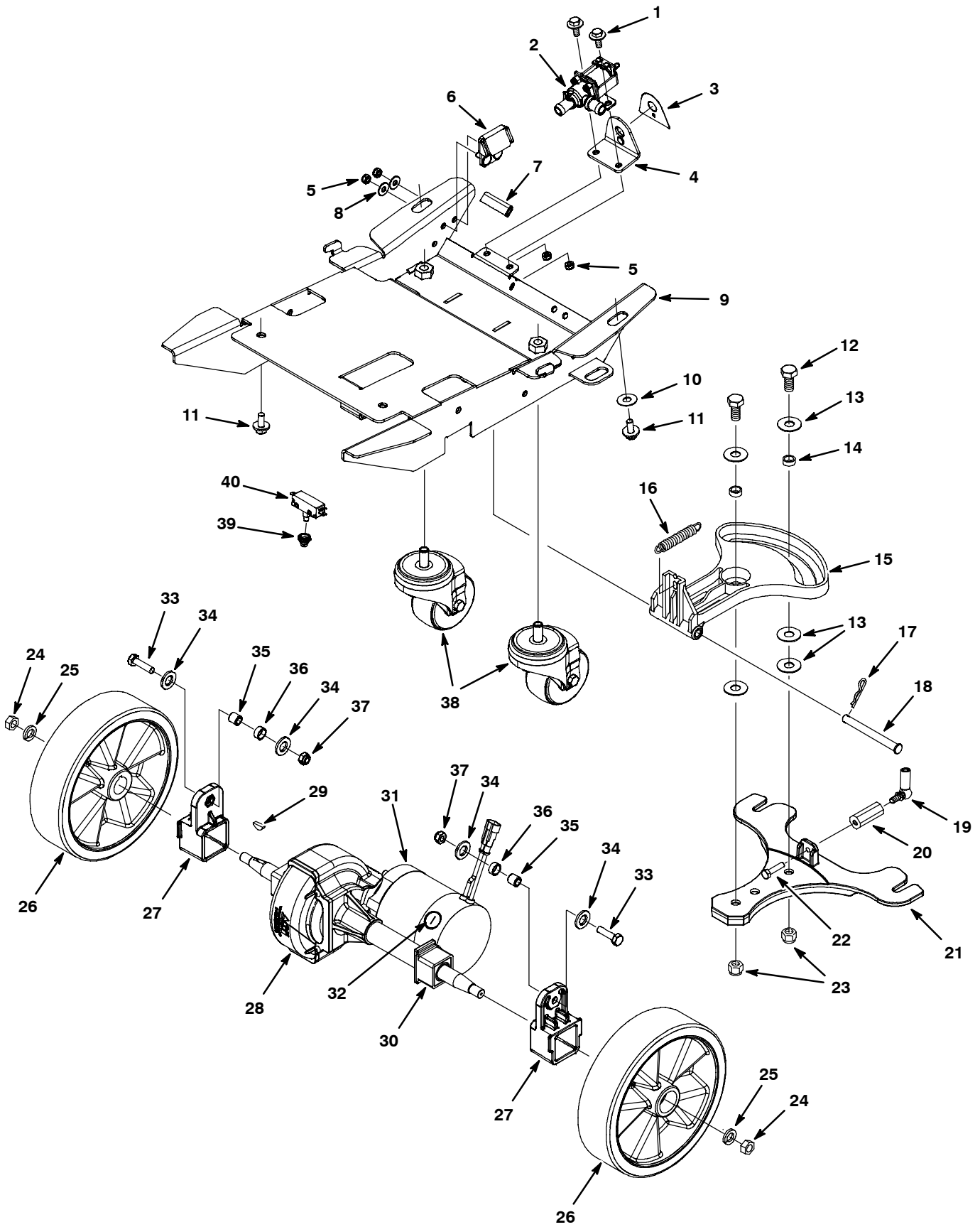
Ref.	Part No.	Serial Number	Description	Qty.	
1	09739	(10372394-) Nut, Hex, Lock, M5 X 0.80, NI, Ss	5	
2	01683	(10372394-) Washer, Flat, 10, Ss	7	
3	1038490	(10372394-)● Relay, 24vdc, 100a, No [Trombetta]	1	
4	1011282	(10372394-)● Gauge, Hourmeter, 12/60 Vdc [Ret Mount]	1	
5	1057902	(10372394-)● Circuitbreaker, 35.0a	1	
6	1012134	(10372394-) Panel, Cntrl, Lower	1	
7	1016628	(10372394-) Label, Panl, Instmt, Lower [T3/T3e/Ss3]	1	
7	1049998	(10378531-) Label, Console, Lower Ec-H2o [T3 Na/Aej] (ec-H2O Model)	1	
8	02938	(10372394-) Washer, Lock, Int, 08, Ss	4	
9	391403	(10372394-) Screw, Pan, Phl, M4 X 0.70 X 8, Ss	4	
10	130787	(10372394-)● Switch, Rocker, Spdt (Fast & ec-H2O Model)	1	
▽	11	1011402	(10372394-)● Switch, Key	1
▲	12	1017696	(10372394-)● Key Set, Replmt [F/ Keyswitch 1011402]	1
13	1041822	(10378531-)● Light, Panel, Mgt, .312" Dia. (ec-H2O Model)	1	
14	1012216	(10372394-)● Relay, 24vdc, 070a, Spst No, Plug-In	1	
15	1012216	(10372394-)● Relay, 24vdc, 070a, Spst No, Plug-In (Fast Model)	1	
16	01683	(10372394-) Washer, Flat, 10, Ss (Fast Model)	1	
17	09739	(10372394-) Nut, Hex, Lock, M5 X 0.80, NI, Ss (Fast Model)	1	
18	1012747	(10372394-) Balljoint, M06 X 1.0 Fem, M06 X 1.0 Mal	2	
19	07785	(10372394-) Nut, Hex, Std, M6 X 1.00, Ss	2	
20	1013479	(10372394-) Cable, Glv 3.18mmd 0422l M6/ M6	1	
21	09011	(10372394-) Screw, Hex, M8 X 1.25 X 30, Ss	1	
22	1016331	(10372394-) Washer, Flat, 0.34b 1.25d .11, Ss	1	
23	1013397	(10372394-) Washer, Flat, M13 X 30 X 0.8, Nyl	2	
24	1014336	(10372394-) Sleeve, P/M, 8.40b 12.60d 14.5l, PI	1	
25	1013329	(10372394-) Lever Wldt, Sqge	1	
26	1016895	(10372394-)● Cap, Handle, Sqge Lift	1	
27	08712	(10372394-) Nut, Hex, Lock, M6 X 1.00, NI, Ss	1	
28	1042062	(10372394-) Screw, Hex, M3 X 0.5 X 25, Ss	2	
29	41578	(10372394-) Washer, Flat, 06, Ss	6	
30	1012850	(10372394-) Bracket Wldt, Lever, Sqge	1	
31	1034731	(10372394-) Screw, Hex, M6 X 1.00 X 16, Sems, Ss	2	
32	02938	(10372394-) Washer, Lock, Int, 08, Ss	2	
33	579211	(10372394-) Nut, Hex, Lock, M3 X 0.50, NI, Ss	2	
34	1012568	(10372394-)● Switch, Snap, 10a, Short	1	
35	08713	(10372394-) Nut, Hex, Lock, M8 X 1.25, NI, Ss	1	
36	1015459	(10372394-) Spring, Lever, Sqge	1	
37	43952	(10372394-) Washer, Lock, Int, 0.31, Ss	1	

▽ ASSEMBLY

▲ INCLUDED IN ASSEMBLY

● RECOMMENDED STOCK ITEMS

WHEEL GROUP, DRIVE MODEL



WHEEL GROUP, DRIVE MODEL

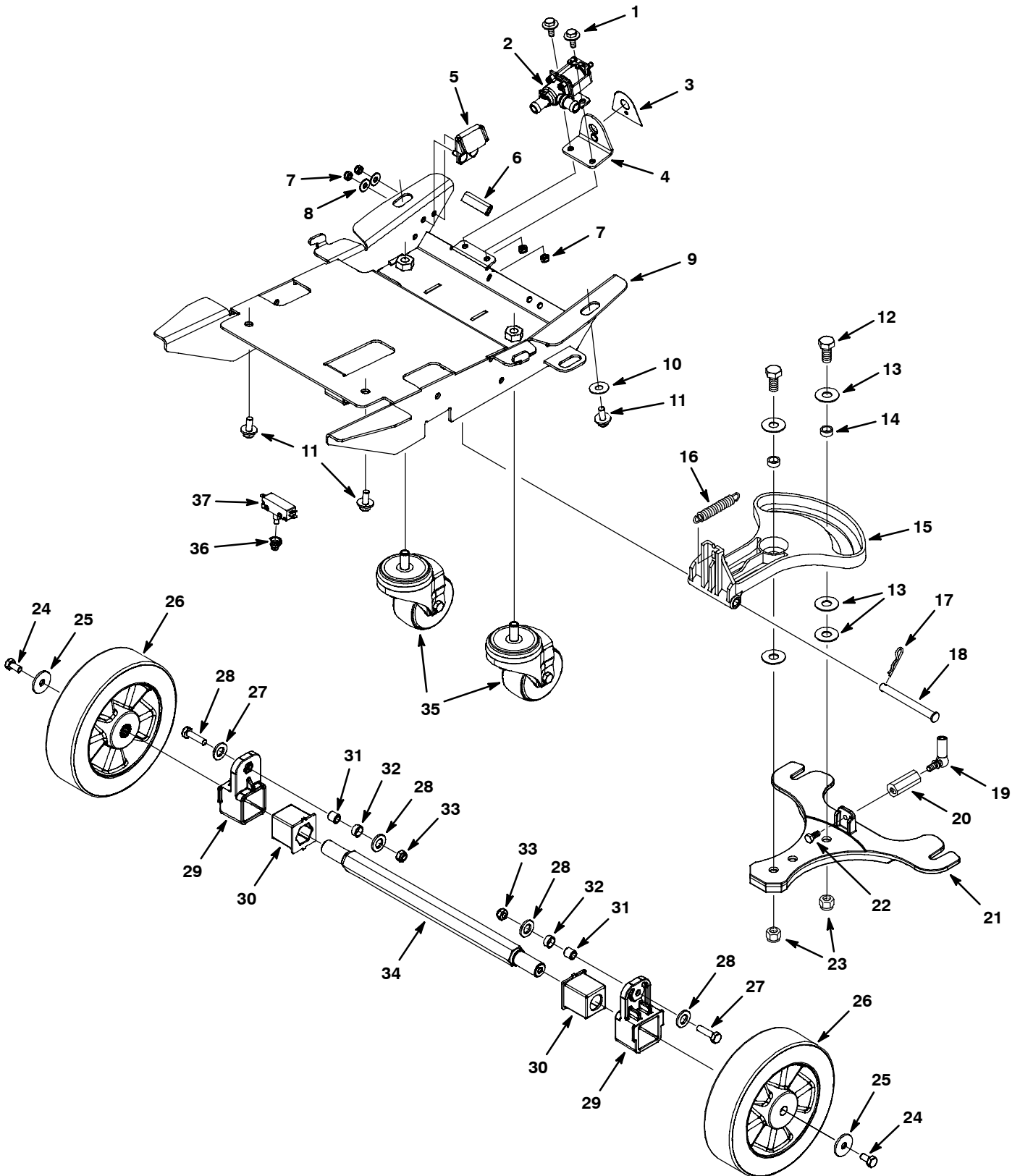
Ref.	Part No.	Serial Number	Description	Qty.
	1	1034731	(10372394-) Screw, Hex, M6 X 1.00 X 16, Ss, Sems	2
▽	2	1062385	(10372394-)● Valve, Water, Solenoid, 24vdc Bm10/Bm10	1
▲	614265	(10372394-)● Valve Kit, Water [Viton Diaphragm]	1	
	3	1014156	(10372394-) Label, Opertnl, Lower, Soltn Flow	1
	4	1031714	(10372394-) Bracket, Mtg, Valve, Soltn [T3]	1
	5	08712	(10372394-) Nut, Hex, Lock, M6 X 1.0, Ss, NI	4
	6	1013946	(10372394-) Bracket, Locking, Pedal, Foot Ylw	1
	7	1034551	(10372394-) Trim, Plstc, Edge, .12 X .56 X 1.75	1
	8	01684	(10372394-) Washer, Flat, 0.25 Ss	2
	9	1023428	(10372394-) Frame Wldt, Mach, Blk	1
	10	1016331	(10372394-) Washer, Flat, 0.34b 1.25d .11, Ss	2
	11	1020341	(10372394-) Screw, Hex, M8 X 1.25 X 20, Ss, Sems	4
	12	12309	(10372394-) Screw, Hex, M12 X 1.75 X 30, Ss	2
	13	140045	(10372394-) Washer, Flat, 0.51b 1.25d .06, Ss	5
	14	1013662	(10372394-) Bushing, Sleeve, 12mm 16mm 6.5mml, Pm Yw	2
	15	1023389	(10372394-) Bracket, Sqge, Lift, Mold Blk, Nyl	1
	16	1008721	(10372394-) Spring, Extn, 0.75od 0.09wir 03.5l	1
	17	44906	(10372394-) Pin, Cotter, Hair, 0.69d .092 Wir	1
	18	1013610	(10372394-) Pin, Clevis, 10mmd X 100mml	1
	19	1012747	(10372394-)● Balljoint, M6 X 1.0 Fem, M6 X 1.0 Mal	1
	20	1002078	(10372394-) Spacer, 0.50hex X 1.25l, M6 Thread	1
	21	1026265	(10372394-) Bracket, Mtg, Sqge, Cast, Alm	1
	22	1034731	(10372394-) Screw, Hex, M6 X 1.00 X 16, Sems, Ss	1
	23	09741	(10372394-) Nut, Hex, Lock, M12 X 1.75, NI, Ss	2
	24	07788	(10372394-) Nut, Hex, Std, M12 X 1.75, Ss	2
	25	140024	(10372394-) Washer, Lock, Split, 0.50, Ss	2
	26	1039655	(10372394-)● Wheel, Scrbr, 198.00mm, W/ Taper [T3]	2
	27	1028292	(10372394-) Adapter, Mtg, Axle, Alm	2
▽	28	1039475	(10372394-)● Transaxle, Ele, 24vdc, 112rpm, Pkrd,Dfma	1
▲	1017782	(10372394-)● Coupling Kit, Transaxle, Replmt [11057]	1	
▲	29	1021167	(10372394-) Key, Woodruff, 5mm	2
▲	30	612880	(10372394-)● Sleeve, Transaxle, Replmt	2
▲▽	31	1019916	(10372394-)● Motor, Transaxle, 24vdc, Replmt	1
▲▲	32	614166	(10372394-)● Brush Kit, Carbon [Qty 4]	1
	33	09011	(10372394-) Screw, Hex, M8 X 1.25 X 30, Ss	2
	34	1013936	(10372394-) Washer, Flat, 0.51b 0.94d .10, Nyl	4
	35	222460	(10372394-) Sleeve, P/M, 0.31b 0.50d 0.5l [430ss]	2
	36	630188	(10372394-) Bearing, Journal, .50id X .25l	2
	37	08713	(10372394-) Nut, Hex, Lock, M8 X 1.25, NI, Ss	2
	38	1019008	(10372394-)● Caster, Swivel, 80mmd, M12 X 25 Clr Pl	2
	39	1035711	(10372394-)● Boot, Switch, Hex Nut, .38-32 Thd	1
	40	606292	(10372394-)● Switch, Push, Actuator, 20a	1
	N/S	1019397	(10372394-)● Harness, Frame, Drive [T3 - Na]	1

▽ ASSEMBLY

▲ INCLUDED IN ASSEMBLY

● RECOMMENDED STOCK ITEMS

WHEEL GROUP, BRUSH ASSIST MODEL



WHEEL GROUP, BRUSH ASSIST MODEL

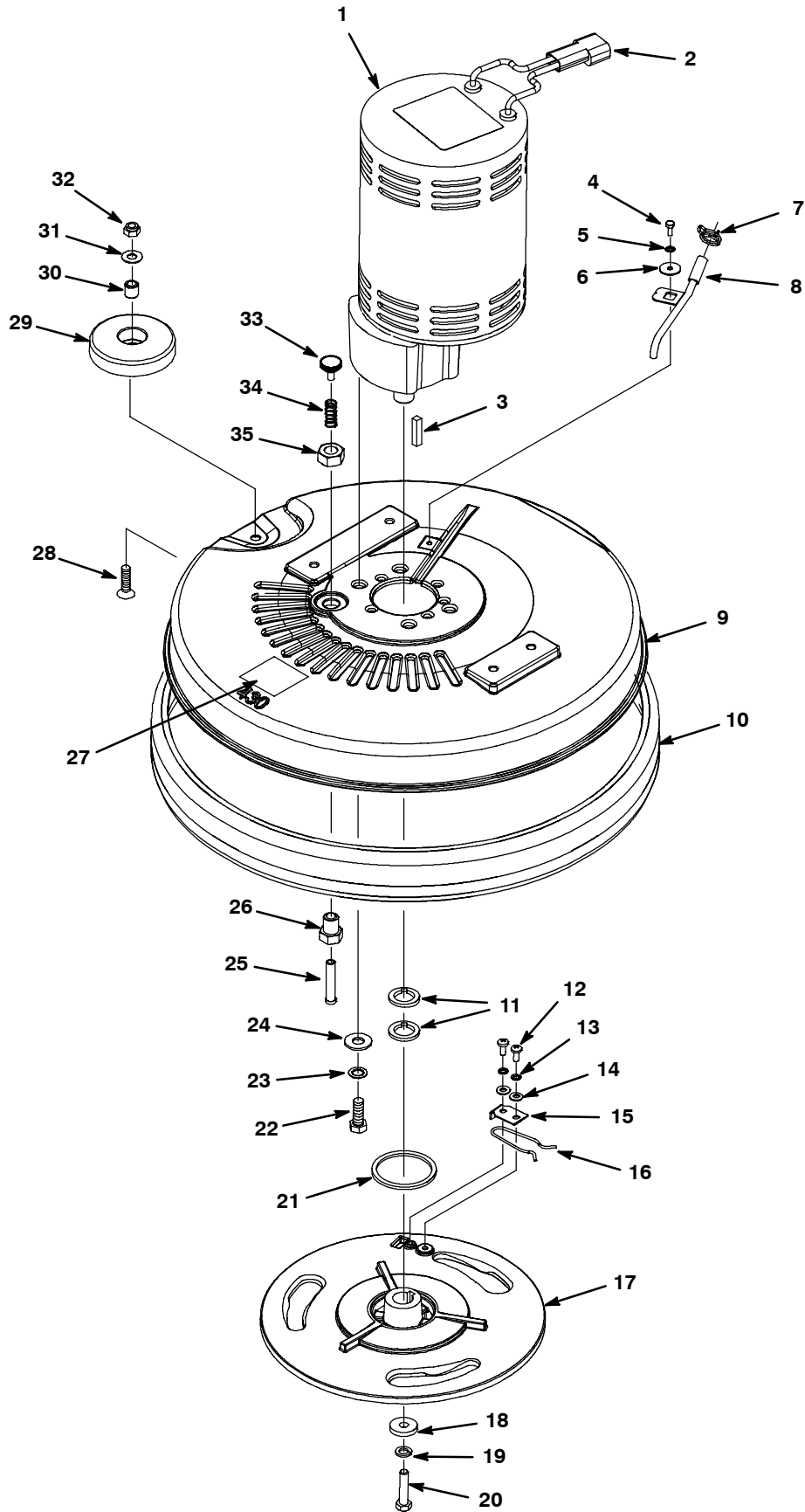
Ref.	Part No.	Serial Number	Description	Qty.
	1	1034731	(10372394-) Screw, Hex, M6 X 1.00 X 16, Ss, Sems	2
▽	2	1062385	(10372394-)● Valve, Water, Solenoid, 24vdc Bm10/Bm10	1
▲	614265	(10372394-)● Valve Kit, Water [Viton Diaphragm]	1	
	3	1014156	(10372394-) Label, Opertnl, Lower, Soltn Flow	1
	4	1012108	(10372394-) Bracket, Mtg, Valve, Soltn	1
	5	1013946	(10372394-) Bracket, Locking, Pedal, Foot, Yel Pl	1
	6	1034551	(10372394-) Trim, Plstc, Edge, .12 X .56 X 1.75	1
	7	08712	(10372394-) Nut, Hex, Lock, M6 X 1.00, Ss, NI	4
	8	01684	(10372394-) Washer, Flat, 0.27b 0.69d .05, Ss	2
	9	1023428	(10372394-) Frame Wldt, Mach, Blk, [T3]	1
	10	1016331	(10372394-) Washer, Flat, 0.34b 1.25d .11, Ss	2
	11	1020341	(10372394-) Screw, Hex, M8 X 1.25 X 20, Ss, Sems Sq	4
	12	12309	(10372394-) Screw, Hex, M12 X 1.75 X 30, Ss	2
	13	140045	(10372394-) Washer, Flat, 0.51b 1.25d .06, Ss	5
	14	1013662	(10372394-) Bushing, Sleeve, 12mmb 16mmd 7mml,Pm Yel	2
	15	1023389	(10372394-) Bracket, Sqge, Lift, Mold Blk, Nyl [T3]	1
	16	1008721	(10372394-) Spring, Extn, 0.75od 0.09wir 03.5l	1
	17	44906	(10372394-) Pin, Cotter, Hair, 0.69d .092 Wir	1
	18	1013610	(10372394-) Pin, Clevis, 10mmd X 100mml	1
	19	1012747	(10372394-)● Balljoint, M06 X 1.0 Fem, M06 X 1.0 Mal	1
	20	1002078	(10372394-) Spacer, .50x X 1.25l, M6 Thread	1
	21	1026265	(10372394-) Bracket, Mtg, Sqge, [T3] Cast, Alm	1
	22	1034731	(10372394-) Screw, Hex, M6 X 1.00 X 16, Ss, Sems	1
	23	09741	(10372394-) Nut, Hex, Lock, M12 X 1.75, NI, Ss	2
	24	1020341	(10372394-) Screw, Hex, M8 X 1.25 X 20, Ss, Sems	2
	25	1016331	(10372394-) Washer, Flat, 0.34b 1.25d .11, Ss	2
	26	1013248	(10372394-)● Wheel, Scrbr, 198.00mm, W/ Brg	2
	27	09011	(10372394-) Screw, Hex, M8 X 1.25 X 30, Ss	2
	28	1013936	(10372394-) Washer, Flat, 0.51b 0.94d .10, Nyl	4
	29	1028292	(10372394-) Adapter, Mtg, Axle, Alm [T3]	1
	30	1028381	(10372394-)● Grommet, Axle [Tpu, T3 Push]	1
	31	222460	(10372394-) Sleeve, P/M, 0.31b 0.50d 0.5l [430ss]	2
	32	630188	(10372394-) Bearing, Journal, .50id X .25l	2
	33	08713	(10372394-) Nut, Hex, Lock, M8 X 1.25, NI, Ss	2
	34	1028382	(10372394-)● Axle, Wheel, Hex, Clr Zn [T3 Push]	1
	35	1026345	(10372394-)● Caster, Swivel, 80mmd, M12 X 25, Clr Pl	2
	36	1035711	(10372394-)● Boot, Switch, Hex Nut, .38-32 Thd	1
	37	606292	(10372394-)● Switch, Push, Actuator, 20a	1

▽ ASSEMBLY

▲ INCLUDED IN ASSEMBLY

● RECOMMENDED STOCK ITEMS

SCRUB HEAD GROUP, 43 cm (17 in) MODEL



SCRUB HEAD GROUP, 43 cm (17 in) MODEL

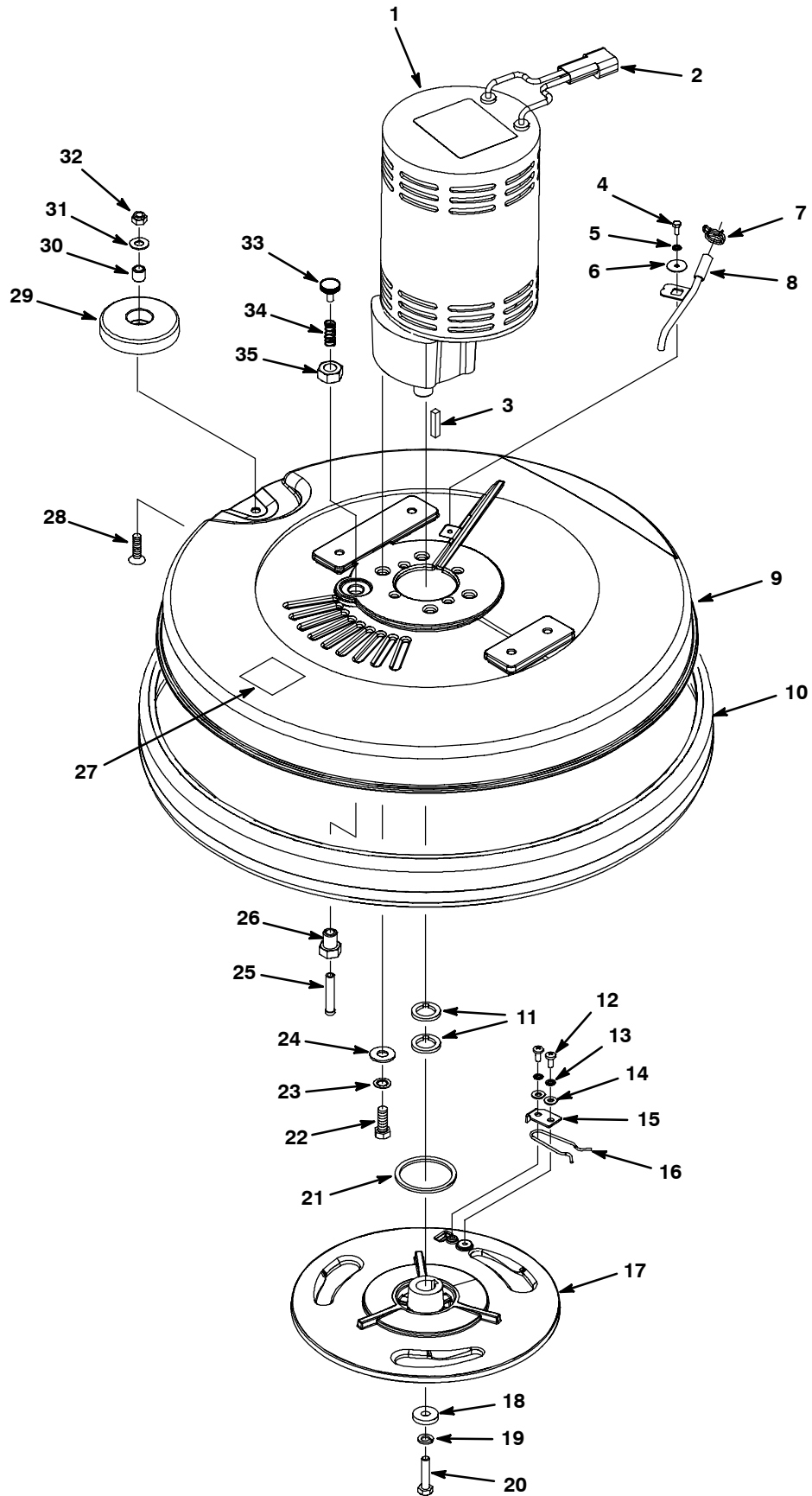
Ref.	Part No.	Serial Number	Description	Qty.
▽	1	1028301	(10372394-)● Motor, Ele, 24vdc 0200rpm 1.00hp Gear	1
▲▽		1038269	(10372394-)● Brush, Card, Assy, Imperial, 1.00hp	1
▲▲		190970	(10372394-)● Vr, Brush, Carbon, Motor, Ele	4
▲		1038268	(10372394-)● Gearbox, Motor, Imperial, 1.00hp	1
▲		607798	(10372394-)● Terminal Mal Brush Motor Leads	2
▲	2	607797	(10372394-)● Connector, Mal [Packard]	1
▲	3	00930	(10372394-)● Key, Sq, 0.25 X 0.25, 1.50l	1
	4	1020234	(10372394-) Screw, Hex, M4 X 0.7 X 10, Ss	1
	5	02938	(10372394-) Washer, Lock, Int, 08, Ss	1
	6	1009168	(10372394-) Washer, Flat, 0.17b 0.75d .04, Ss	1
	7	607775	(10372394-) Clamp, Hose, Wir, .63 - .66, Blk	1
	8	1016155	(10372394-) Tube Wldt, Supply, Water	1
	9	1048186	(10372394-) Housing, Head, 43cm [Die Cast]	1
	10	1011368	(10372394-)● Bumper, Head, 43cm, W/ Bristle Skirt	1
	11	621471	(10372394-) Spacer, 0.75b 1.12d 0.12l,	2
	12	09200	(10372394-) Screw, Pan, M5 X 0.8 X 12, Ss	2
	13	07514	(10372394-) Washer, Lock, Int, #10, Ss	2
	14	01683	(10372394-) Washer, Flat, 0.22b 0.50d .05, Ss [#10]	2
	15	1011201	(10372394-)● Plate, Clamp, Brush	1
	16	1013188	(10372394-)● Clip, Spring, Drive Plate Yel PI	1
	17	1054019	(10372394-)● Hub, Drive, 3lug, Alm, 19.0b [Diecast]	1
	18	1028796	(10372394-) Washer, Flat, 0.33b 1.00d .18	1
	19	140015	(10372394-) Washer, Lock, Split, 0.31, Ss	1
	20	1035038	(10372394-) Screw, Hex, .31-18 X 1.38, Ss, NI	1
	21	1016426	(10372394-) Ring, Water, Containment	1
	22	69225	(10372394-) Screw, Hex, .38-16 X 1.00, Ss	4
	23	43953	(10372394-) Washer, Lock, Int, 0.38 Ss	4
	24	01686	(10372394-) Washer, Flat, 0.44b 1.00 .08, Ss	4
	25	1037399	(10372394-) Pin, Stop, 8.3mmd X 42mml	1
	26	605825	(10372394-) Screw, Stop, Head Pin	1
	27	578769	(10372394-) Label, Moving Parts	1
	28	79506	(10372394-) Screw, Flt, M8 X 1.25 X 30, Ss	1
	29	1010560	(10372394-)● Wheel, Bmpr, 80d X 25w, Non-Marking	1
	30	222460	(10372394-) Sleeve, P/M, 0.31b 0.50d 0.5l	1
	31	140027	(10372394-) Washer, Flat, 0.35b 0.75d .04, Ss	1
	32	08713	(10372394-) Nut, Hex, Lock, M8 X 1.25, NI, Ss	1
	33	603012	(10372394-)● Knob, Rnd, 19.0d M6 X 12, Stud, Plstc,PI	1
	34	1037400	(10372394-) Spring, Cmpr, .42od, .04wir, 1.0l, PI,Mw	1
	35	1037470	(10372394-) Nut, Hex, M14 X 2.00, Ss	1

▽ ASSEMBLY

▲ INCLUDED IN ASSEMBLY

● RECOMMENDED STOCK ITEMS

SCRUB HEAD GROUP, 50 cm (20 in) MODEL



SCRUB HEAD GROUP, 50 cm (20 in) MODEL

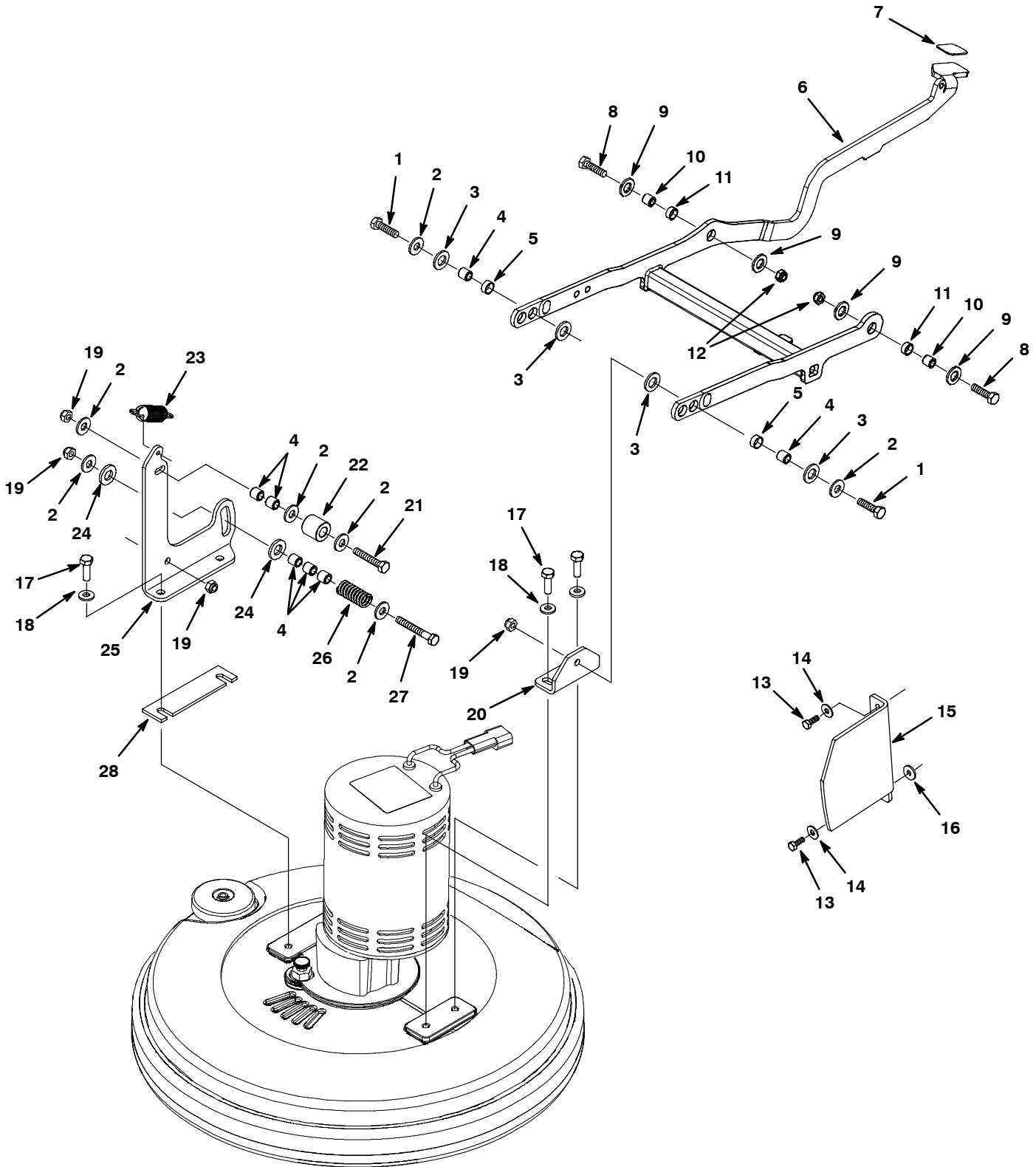
Ref.	Part No.	Serial Number	Description	Qty.
▽	1	1028301	(10372394-)● Motor, Ele, 24vdc 0200rpm 1.00hp Gear	1
▲▽		1038269	(10372394-)● Brush, Card, Assy, Imperial, 1.00hp	1
▲▲		190970	(10372394-)● Vr, Brush, Carbon, Motor, Ele	4
▲		1038268	(10372394-)● Gearbox, Motor, Imperial, 1.00hp	1
▲		607798	(10372394-)● Terminal Mal Brush Motor Leads	2
▲	2	607797	(10372394-)● Connector, Mal [Packard]	1
▲	3	00930	(10372394-)● Key, Sq, 0.25 X 0.25, 1.50l	1
	4	1020234	(10372394-) Screw, Hex, M4 X 0.7 X 10, Ss	1
	5	02938	(10372394-) Washer, Lock, Int, 08, Ss	1
	6	1009168	(10372394-) Washer, Flat, 0.17b 0.75d .04, Ss	1
	7	607775	(10372394-) Clamp, Hose, Wir, .63 - .66, Blk	1
	8	1016155	(10372394-) Tube Wldt, Supply, Water	1
	9	1036813	(10372394-) Housing, Head, 50cm, Die Cstg	1
	10	1011316	(10372394-)● Bumper, Head, W/ Bristle Skirt	1
	11	621471	(10372394-) Spacer, 0.75b 1.12d 0.12l	2
	12	09200	(10372394-) Screw, Pan, M5 X 0.8 X 12, Ss	2
	13	07514	(10372394-) Washer, Lock, Int, #10, Ss	2
	14	01683	(10372394-) Washer, Flat, 0.22b 0.50d .05, Ss [#10]	2
	15	1011201	(10372394-)● Plate, Clamp, Brush	1
	16	1013188	(10372394-)● Clip, Spring, Drive Plate Yel Pl	1
	17	1054019	(10372394-)● Hub, Drive, 3-Lug, Alm, 19.0b[Diecast]	1
	18	1028796	(10372394-) Washer, Flat, 0.33b 1.00d .18	1
	19	140015	(10372394-) Washer, Lock, Split, 0.31, Ss	1
	20	1035038	(10372394-) Screw, Hex, .31-18 X 1.38, Ss, NI	1
	21	1016426	(10372394-) Ring, Water, Containment	1
	22	69225	(10372394-) Screw, Hex, .38-16 X 1.00, Ss	4
	23	43953	(10372394-) Washer, Lock, Int, 0.38 Ss	4
	24	01686	(10372394-) Washer, Flat, 0.44b 1.00 .08, Ss	4
	25	1037399	(10372394-) Pin, Stop, 8.3mmd X 42mml	1
	26	605825	(10372394-) Screw, Stop, Head Pin	1
	27	578769	(10372394-) Label, Moving Parts	1
	28	79506	(10372394-) Screw, Flt, M8 X 1.25 X 30, Ss	1
	29	1010560	(10372394-)● Wheel, Bmpr, 80d X 25w, Non-Marking	1
	30	222460	(10372394-) Sleeve, P/M, 0.31b 0.50d 0.5l	1
	31	140027	(10372394-) Washer, Flat, 0.35b 0.75d .04, Ss	1
	32	08713	(10372394-) Nut, Hex, Lock, M8 X 1.25, NI, Ss	1
	33	603012	(10372394-)● Knob, Rnd, 19.0d M6 X 12, Stud, Plstc,PI	1
	34	1037400	(10372394-) Spring, Cmpr, .42od, .04wir, 1.0l, Pl,Mw	1
	35	1037470	(10372394-) Nut, Hex, M14 X 2.00, Ss	1

▽ ASSEMBLY

▲ INCLUDED IN ASSEMBLY

● RECOMMENDED STOCK ITEMS

SCRUB HEAD LIFT GROUP



SCRUB HEAD LIFT GROUP

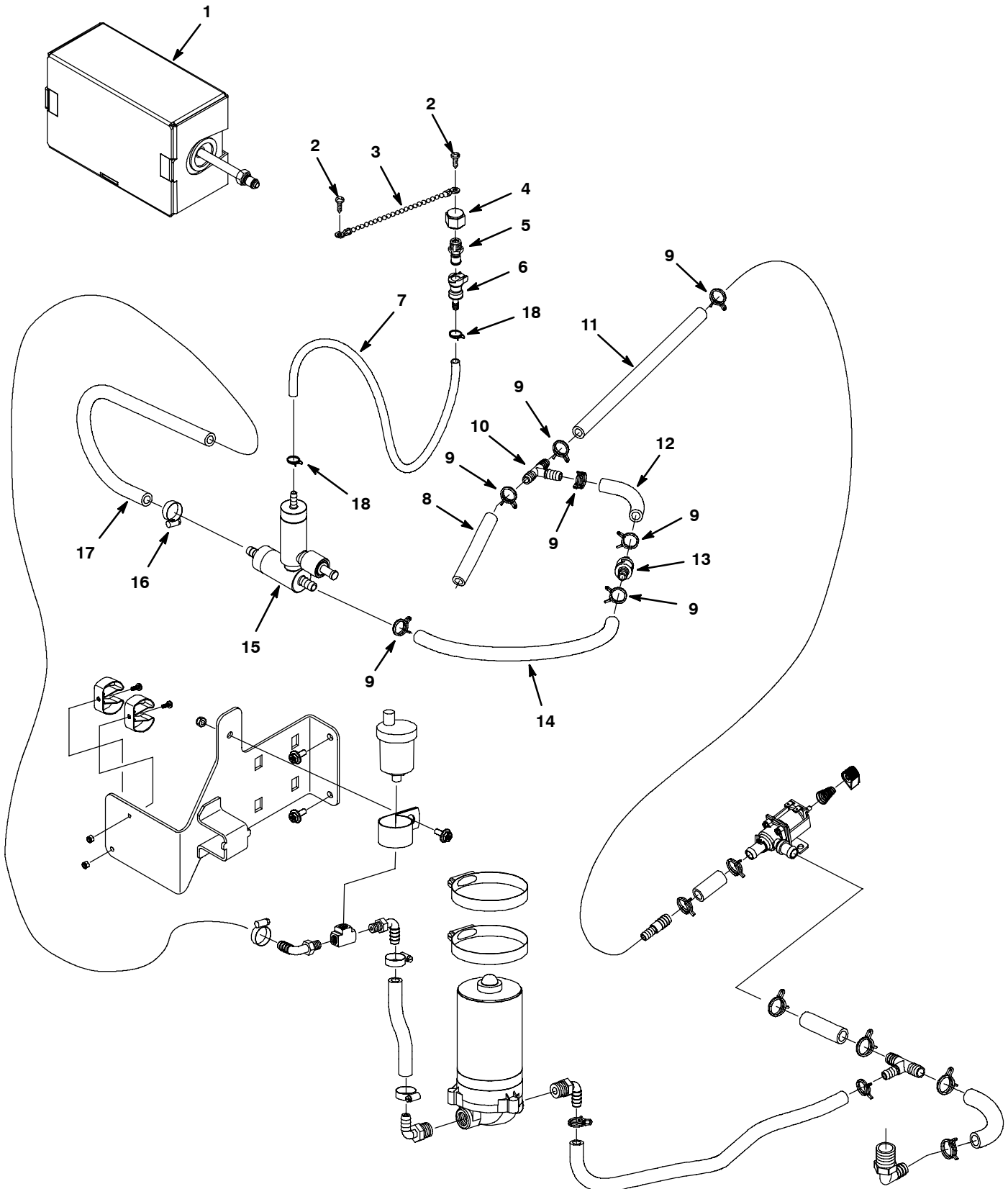
Ref.	Part No.	Serial Number	Description	Qty.	
1	09011	(10372394-) Screw, Hex, M8 X 1.25 X 30, Ss	2	
2	01685	(10372394-) Washer, Flat, 0.38b 0.88d .08, Ss	7	
3	1013936	(10372394-) Washer, Flat, 0.51b 0.94d .10, Nyl	4	
4	222460	(10372394-) Sleeve, P/M, 0.31b 0.50d 0.5l	7	
5	630188	(10372394-) Bearing, Journal, .50id X .25l	2	
▽	6	1037297	(10372394-) Lift Assy, Head, Sngl Disk, Aftmkt	1
▲	7	1014283	(10372394-)● Pad, Adh, Non-Slip, 28mm X 36mm, Blk	1
▲	8	09011	(10372394-) Screw, Hex, M8 X 1.25 X 30, Ss	2
▲	9	1013936	(10372394-) Washer, Flat, 0.51b 0.94d .10, Nyl	4
▲	10	222460	(10372394-) Sleeve, P/M, 0.31b 0.50d 0.5l	2
▲	11	630188	(10372394-) Bearing, Journal, .50id X .25l	2
▲	12	08713	(10372394-) Nut, Hex, Lock, M8 X 1.25, NI, Ss	2
	13	11329	(10372394-) Screw, Hex, M6 X 1.0 X 16, Ss, NI	2
	14	01684	(10372394-) Washer, Flat, 0.25 Ss	1
	15	1015460	(10372394-) Bracket, Guide, Head, [43cm]	1
	15	1012484	(10372394-) Bracket, Guide, Head, [50cm]	1
	16	1028796	(10372394-) Washer, Flat, 0.33b 1.00d .18, Stl, PI	1
	17	12333	(10372394-) Screw, Hex, M8 X 1.25 X 25, Ss, NI	4
	18	69461	(10372394-) Washer, Flat, 0.38b 0.88d .12, Stl, PI	4
	19	08713	(10372394-) Nut, Hex, Lock, M8 X 1.25, NI, Ss	4
	20	1015470	(10372394-) Bracket, Mtg, Head	1
	21	222505	(10372394-) Screw, Hex, M8 X 1.25 X 45, Ss	1
	22	1014020	(10372394-)● Roller, Lift, Dual Disk Head	1
	23	1032420	(10372394-) Spring, Extn, 0.85od 0.09wir 02.9l (43cm Model)	1
	23	1031776	(10372394-) Spring, Extn, 0.75od 0.09wir 03.2l (50cm Model)	1
	24	140127	(10372394-) Bearing, Thrust, 0.51b X 1.0 X .12, Brz	2
	25	1012323	(10372394-) Bracket, Mtg, Head, Rh	1
	26	140430	(10372394-) Spring, Cmpr, .72od X 1.69 L	1
	27	1014163	(10372394-) Screw, Hex, M8 X 1.25 X 60, FI, Ss	1
	28	1032791	(10372394-) Spacer, Head, 4mm (Brush Assist Model)	1
	N/S	130773	(10372394-) Tie, Cable, Nyl, 11.0l, .14w, 3.0 Max. D	1

▽ ASSEMBLY

▲ INCLUDED IN ASSEMBLY

● RECOMMENDED STOCK ITEMS

SOLUTION GROUP, FaST MODEL

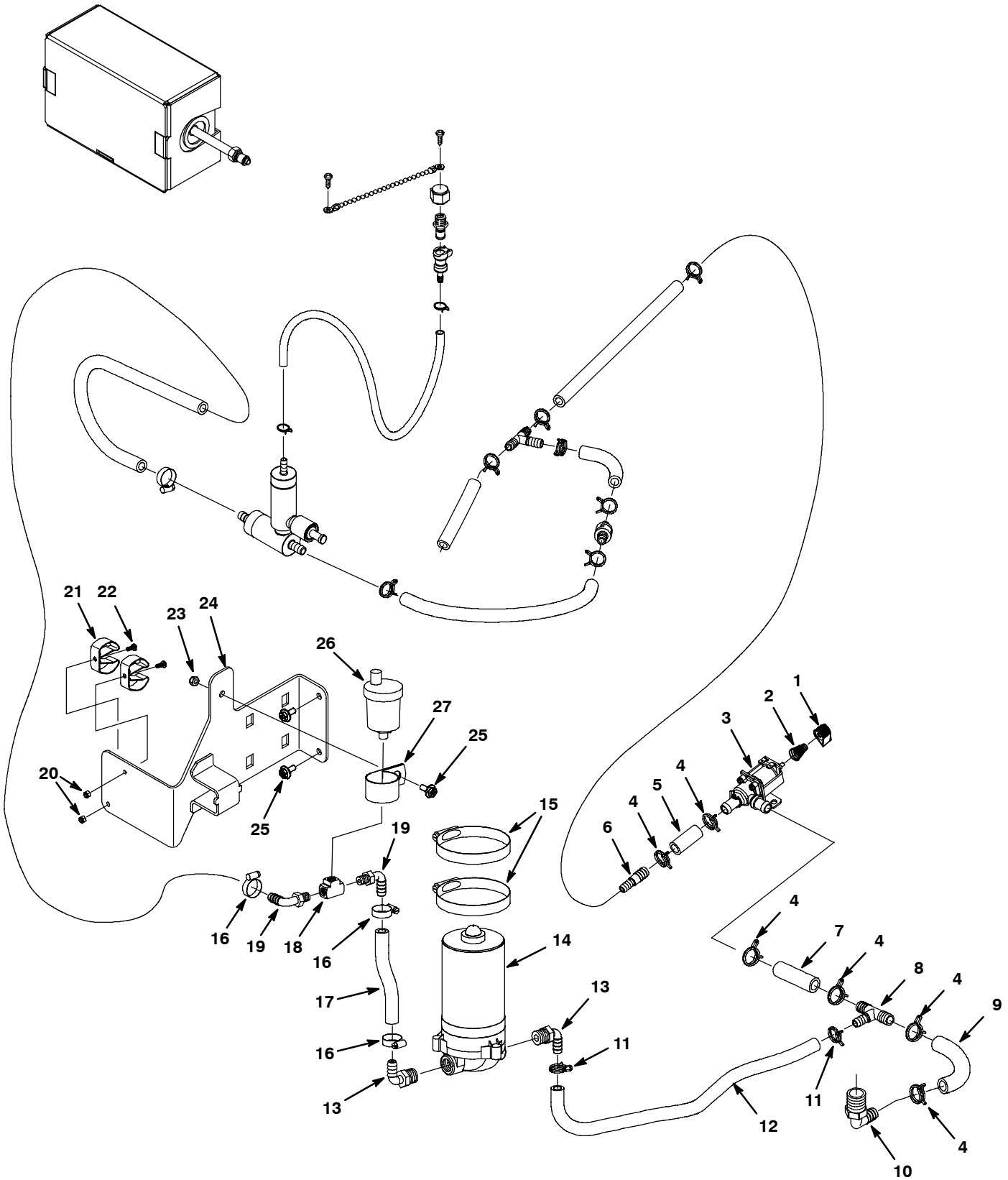


SOLUTION GROUP, FaST MODEL

Ref.	Part No.	Serial Number	Description	Qty.
1	1017015	(10372394-)● Detergent, Pkg, 2 Liter, Sgl [365]	1
1	1017022	(10372394-)● Detergent, Pkg, 2 Liter, Sgl [665]	1
2	1018155	(10372394-) Screw, Pan, M5 X 0.8 X16, Ss, Tcut	2
3	621443	(10372394-) Chain, Ball, #10, 157mml, Ss	1
4	1005435	(10372394-) Fitting, Plstc, Pipe, Cap, Pf04	1
5	1002899	(10372394-)● Fitting, Plstc, Str, Pm04, Cplg, Mal	1
6	1002898	(10372394-)● Fitting, Plstc, Str, Bm04, Cplg, Fem	1
7	613947	(10372394-) Hose, Pvc, Clr, 0.25id 0.38od 026.0l	1
8	613446	(10372394-) Hose, Pyu, Clr, 0.38id 0.62od 010.0l	1
9	607775	(10372394-) Clamp, Hose, Wir, .63 - .66, Blk	7
10	160310	(10372394-) Fitting, Plstc, Tee, Bm06/Bm06/Bm06	1
11	613451	(10372394-) Hose, Pyu, Clr, 0.38id 0.62od 012.0l	1
12	606362	(10372394-) Hose, Pyu, Clr, 0.38id 0.62od 006.5l	1
13	1015455	(10372394-)● Valve, Check, 0005psi Bm06/Bm06	1
14	613442	(10372394-) Hose, Pyu, Clr, 0.38id 0.62od 015.5l	1
15	9003906	(10372394-)● FaST Kit, Injector, Ci [T3/Ss3 FaST II+] (See Breakdown)	1
16	54333	(10372394-) Clamp, Hose, Wormdrive, 0.31-0.88d, .31w	1
17	613722	(10372394-) Hose, Pvc, Brd, 0.38id 0.60od 021.0l,Clr	1
18	613735	(10372394-) Clamp, Hose, Wir, .40 - .42, Yel	2

● RECOMMENDED STOCK ITEMS

SOLUTION GROUP, FaST MODEL - CONT'D



SOLUTION GROUP, FaST MODEL - CONT'D

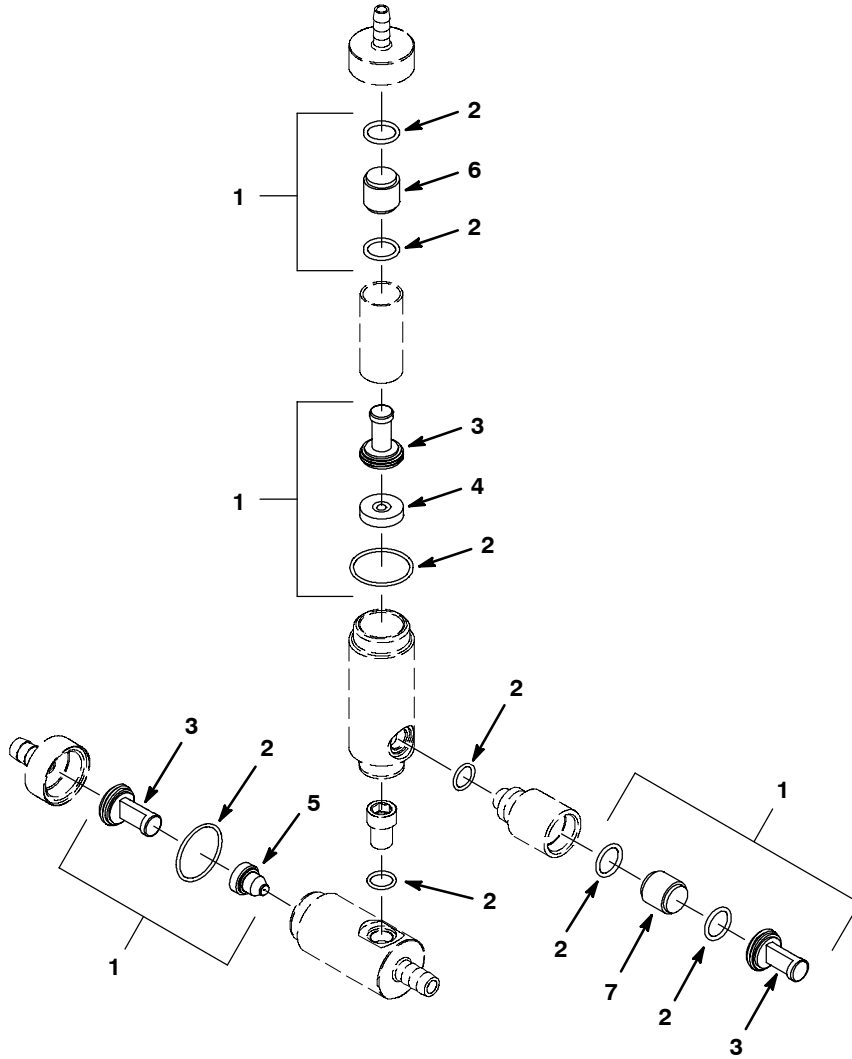
Ref.	Part No.	Serial Number	Description	Qty.	
1	1013442	(10372394-)● Knob, Valve, Indicator, Blk	1	
2	1017091	(10372394-)● Spring, Cmpr, 0.50od .04wir 00.8l	1	
▽	3	1062385	(10372394-)● Valve, Water, Solenoid, 24vdc Bm10/Bm10	1
▲	614265	(10372394-)● Valve Kit, Water [Viton Diaphram]	1	
4	607776	(10372394-) Clamp, Hose, Wir, .73 - .77, Silver	6	
5	1015071	(10372394-) Hose, Afmkt, Pvc, Clr, 0.50id, 01ft	1	
6	612774	(10372394-) Fitting, Plstc, Str, Bm06/Bm08	1	
7	613511	(10372394-) Hose, Pvc, Clr, 0.50id 0.75od 002.5l	1	
8	630372	(10372394-) Fitting, Plstc, Tee, Bm06/Bm08/Bm08, Br	1	
9	613517	(10372394-) Hose, Pvc, Clr, 0.50id 0.75od 005.5l	1	
10	1013505	(10372394-) Fitting, Plstc, E90, Bm08/Pm08, Nyl	1	
11	607775	(10372394-) Clamp, Hose, Wir, .63 - .66, Blk	2	
12	613450	(10372394-) Hose, Pyu, Clr, 0.38id 0.62od 024.0l	1	
13	1005630	(10372394-) Fitting, Plstc, E90, Bm06/Pm06, Nyl	2	
14	1014282	(10372394-)● Pump, Soltn, Ele, 24vdc, 60psi [Packard]	1	
15	43555	(10372394-) Clamp, Hose, Wormdrive, 2.50-3.50d, .50w	2	
16	54333	(10372394-) Clamp, Hose, Wormdrive, 0.31-0.88d, .31w	3	
17	613724	(10372394-) Hose, Pvc, Brd, 0.38id 0.60od 010.0l,Clr	1	
18	150705	(10372394-) Fitting, Brs, Tee, Pf02/Pf02/Pf02	1	
19	1005564	(10372394-) Fitting, Plstc, E90, Bm06/Pm02, Nyl	2	
20	33932	(10372394-) Nut, Hex, Lock, M4 X 0.70, Nl, Ss	2	
21	573073	(10372394-) Clip, Grip, Hose, 1.00-1.38, Zn	2	
22	49697	(10372394-) Screw, Pan, M4 X 0.7 X 10, Ss	2	
23	08712	(10372394-) Nut, Hex, Lock, M6 X 1.00, Ss, Nl	1	
24	1037242	(10372394-) Bracket Wldt, Mtg, Pump [Fast II+]	1	
25	1034731	(10372394-) Screw, Hex, M6 X 1.00 X 16, Ss, Sems	3	
26	1017386	(10372394-)● Valve, Vent, Air, Float Type	1	
27	53466	(10372394-) Clamp, Cable, Stl, 1.50d X 1.00w, 1hole	1	

▽ ASSEMBLY

▲ INCLUDED IN ASSEMBLY

● RECOMMENDED STOCK ITEMS

FAST INJECTOR ASSEMBLY BREAKDOWN



FAST INJECTOR ASSEMBLY BREAKDOWN

	Ref.	Part No.	Serial Number	Description	Qty.
▽		9003906	(10372394-) FaST Kit, Injector, Ci [T3/Ss3 FaST II+]	1
▲	1	9003802	(10372394-)● FaST Kit, Ci, Injector Rebuild [FaST II+]	1
▲	2	9003008	(10372394-)● FaST Kit, Ci, Injector Seals [FaST II+]	1
▲	3	9003009	(10372394-)● FaST Kit, Ci, Injector Filters [FaST II+]	1
▲	4	1039974	(10372394-) Plate Assy, Orifice, 0.0065ld, Blk	1
▲	5	1039988	(10372394-)● Orifice, Plug, .027	1
▲	6	1030444	(10372394-)● Valve, Check, 0002psi, White, [FaST II+]	1
▲	7	1030441	(10372394-)● Valve, Check, 0005psi, Brown, [FaST II+]	1

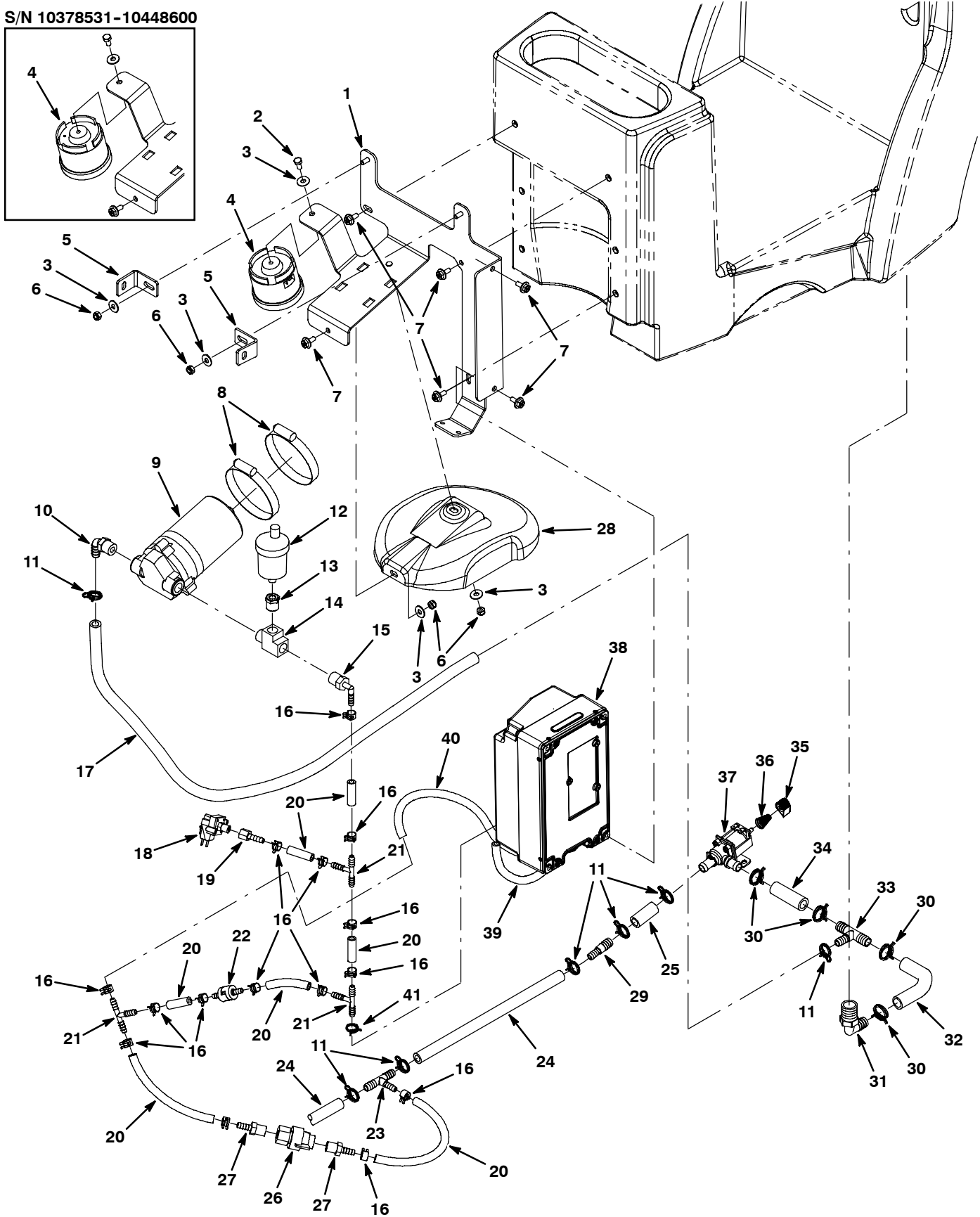
▽ ASSEMBLY

▲ INCLUDED IN ASSEMBLY

● RECOMMENDED STOCK ITEMS

SOLUTION GROUP, *ec-H2O* MODEL

S/N 10378531-10448600



SOLUTION GROUP, *ec-H2O* MODEL

Ref.	Part No.	Serial Number	Description	Qty.
1	1045820	(10378531-) Bracket, Mtg	1
2	11635	(10378531-) Screw, Hex, M6 X 1.00 X 12, NI, Ss	1
3	01684	(10378531-) Washer, Flat, 0.27b 0.69d .05, Ss	5
4	1018505	(10448601-)● Horn, 12-48vdc [88.5 Decibels]	1
4	392937	(10378531-10448600)● Horn, 12-48vdc [94 Decibels]	1
5	1012544	(10372394-) Bracket, Sppt, Shrd	2
6	08712	(10372394-) Nut, Hex, Lock, M6 X 1.00, NI, Ss	4
7	1034731	(10372394-) Screw, Hex, M6 X 1.00 X 16, Sems, Ss	6
8	43555	(10372394-) Clamp, Hose, Wormdrive, 2.50-3.50d, .50w	2
9	1042495	(10378531-)● Pump, Soltn, Ele, 24vdc, 35psi	1
10	1005630	(10372394-) Fitting, Plstc, E90, Bm06/Pm06, Nyl	1
11	607775	(10372394-) Clamp, Hose, Wir, .63 - .66, Blk	7
12	1017386	(10372394-)● Valve, Vent, Air, Float Type	1
13	24698	(10372394-) Fitting, Brs, Str, Pf02/Pm06	1
14	601483	(10372394-) Fitting, Brs, Tee, Pf06/Pf06/Pm06, Run	1
15	150417	(10378531-) Fitting, Plstc, E90, Bm04/Pm06	1
16	603654	(10378531-) Clamp, Hose, Ear, .44d [Ctb]	13
17	9004748	(10378531-) Hose, Pvc, Clr, 0.38id 0.62od 42l	1
18	1044335	(10378531-)● Switch, Press, 5psi, Pm02	1
19	150520	(10378531-) Fitting, Brs, Str, Bm04/Pf02	1
20	578820000	(10378531-) Hose, Pvc, Brd, 0.25id 0.44od 157.2l,Clr	1
21	150713	(10378531-) Fitting, Plstc, Tee, Bm04/Bm04/Bm04	3
22	1044334	(10378531-)● Valve, Check, 0017psi Bm04/Bm04	1
23	50895	(10378531-) Fitting, Plstc, Tee, Bm04/Bm06/Bm06, Br	1
24	613451	(10372394-) Hose, Pyu, Clr, 0.38id 0.62od 012.0l	1
25	1015071	(10372394-) Hose, Afmkt, Pvc, Clr, 0.50id, 01ft	1
26	1043866	(10378531-)● Fitting Assy, Qd, Pf04	1
27	50901	(10378531-) Fitting, Plstc, Str, Bm04/Pm04	1
28	1045902	(10378531-) Cover, Motor, Brush [T3 Ec-H2o]	1
29	612774	(10372394-) Fitting, Plstc, Str, Bm06/Bm08	1
30	607776	(10372394-) Clamp, Hose, Wir, .73 - .77, Silver	4
31	1013505	(10372394-) Fitting, Plstc, E90, Bm08/Pm08, Nyl	1
32	606241	(10372394-) Hose, Pvc, Clr, 0.50id 0.75od 006.0l	1
33	630372	(10372394-) Fitting, Plstc, Tee, Bm06/Bm08/Bm08, Br	1
34	069760725	(10372394-) Hose, Pvc, Clr, 0.50id 0.75od 003.0l	1
35	1013442	(10372394-)● Knob, Valve, Indicator, Blk	1
36	1017091	(10372394-) Spring, Cmpr, 0.50od .04wir 00.8l	1
▽	37	1062385	(10372394-)● Valve, Water, Solenoid, 24vdc Bm10/Bm10	1
▲		614265	(10372394-)● Valve Kit, Water [Viton Diaphragm]	1
▽	38	9007970	(10378531-)● Module Kit, Replmt [Ec-H2o] (See Breakdowns)	1
▲	39	9004606	(10378531-) Hose, Pvc, Brd, .25id .45od 46l, Clr	1
▲	40	578820000	(10378531-) Hose, Pvc, Brd, 0.25id 0.44od 157.2l,Clr	1
	41	613735	(10378531-) Clamp, Hose, Wir, .40 - .42, Yel	1

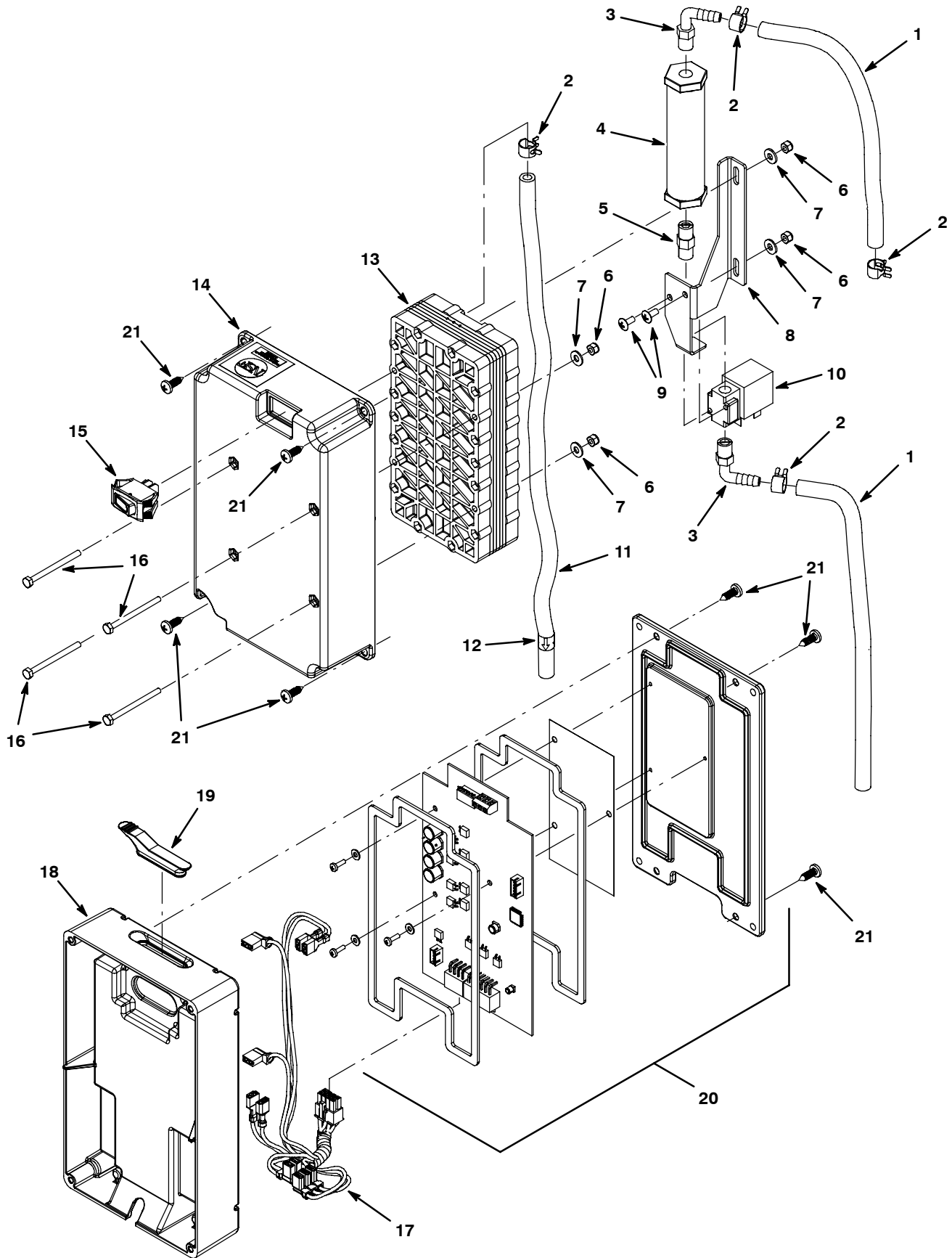
▽ ASSEMBLY

▲ INCLUDED IN ASSEMBLY

● RECOMMENDED STOCK ITEMS

STANDARD PARTS

ec-H2O MODULE ASSEMBLY BREAKDOWN, 9007970 (S/N 10449387-)



ec-H2O MODULE ASSEMBLY BREAKDOWN, 9007970 (S/N 10449387-)

Ref.	Part No.	Serial Number	Description	Qty.
▽	9007970	(10449387-)● Module Kit, Replmt [Ec-H2o]	1
▲▽	9006324	(10449387-)● Ec-H2o Kit [Module B, Plumbing]	1
▲▲	1 578820000	(10378531-) Hose, Pvc, Brd, 0.25id 0.44od 157.2l,Clr	1
▲▲	2 603654	(10378531-) Clamp, Hose, Ear, .44d [Ctb]	4
▲▲	3 1037595	(10378531-) Fitting, Plstc, E90, Bm04/Pm02, Nyl	2
▲▲	4 1062006	(10378531-)● Electrode, Cylindrical	1
▲▲	5 1045030	(10378531-) Fitting, Brs, Str, Pm02/Pm02	1
▲▲	6 33932	(10449387-) Nut, Hex, Lock, M4 X 0.70, NI, Ss	4
▲▲	7 41579	(10449387-) Washer, Flat, 08, Ss	4
▲▲	8 1048490	(10449387-) Bracket, Valve	1
▲▲	9 140801	(10449387-) Screw, Trs, Phl, 08-32 X 0.38, Ss	2
▲▲	10 1013236	(10378531-)● Valve, Shutoff, Ele, 24vdc	1
▲▲	11 9006574	(10449387-) Hose, Pvc, Brd, 0.25id 0.45od, 65l, Clr	1
▲▲	12 1049637	(10378531-) Label, Direction [Ec-H2o]	1
▲▲	13 1057637	(10449387-)● Electrode, 5 Plate, High Flow	1
▲▲	14 1051519	(10449387-) Housing, Upper, Module, High Flow	1
▲▲	15 1044393	(10378531-)● Switch, Rocker, Spst, Mom,	1
▲▲	16 32509	(10449387-) Screw, Hex, M4 X 0.70 X 50, Ss	4
▲▲	17 1049489	(10449387-)● Harness, Main, Controller [Ec-H2o, P3]	1
▲	18 1037032	(10378531-) Housing, Bottom	1
▲	19 1054776	(10378531-)● Grommet, Blind	1
▲	20 9007969	(10449387-)● Controller Kit, Replmt [Ec-H2o]	1
▲	21 1018155	(10378531-) Screw, Pan, Phl, M5 X 0.80 X 16, Tcut,Ss	8

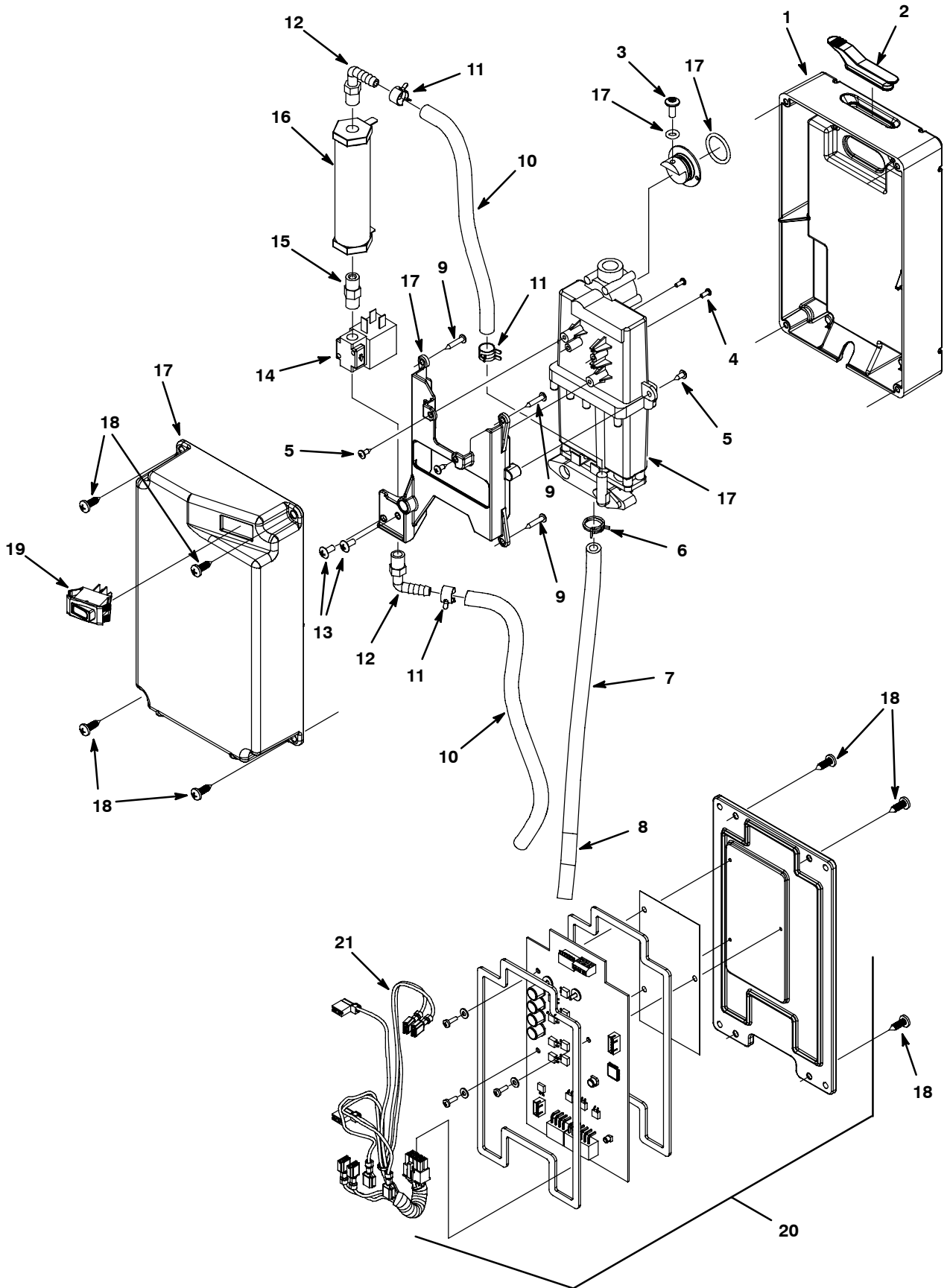
▽ ASSEMBLY

▲ INCLUDED IN ASSEMBLY

● RECOMMENDED STOCK ITEMS

STANDARD PARTS

ec-H2O MODULE ASSEMBLY BREAKDOWN, 9006161 (S/N 10378531-10449386)



ec-H2O MODULE ASSEMBLY BREAKDOWN, 9006161 (S/N 10378531-10449386)

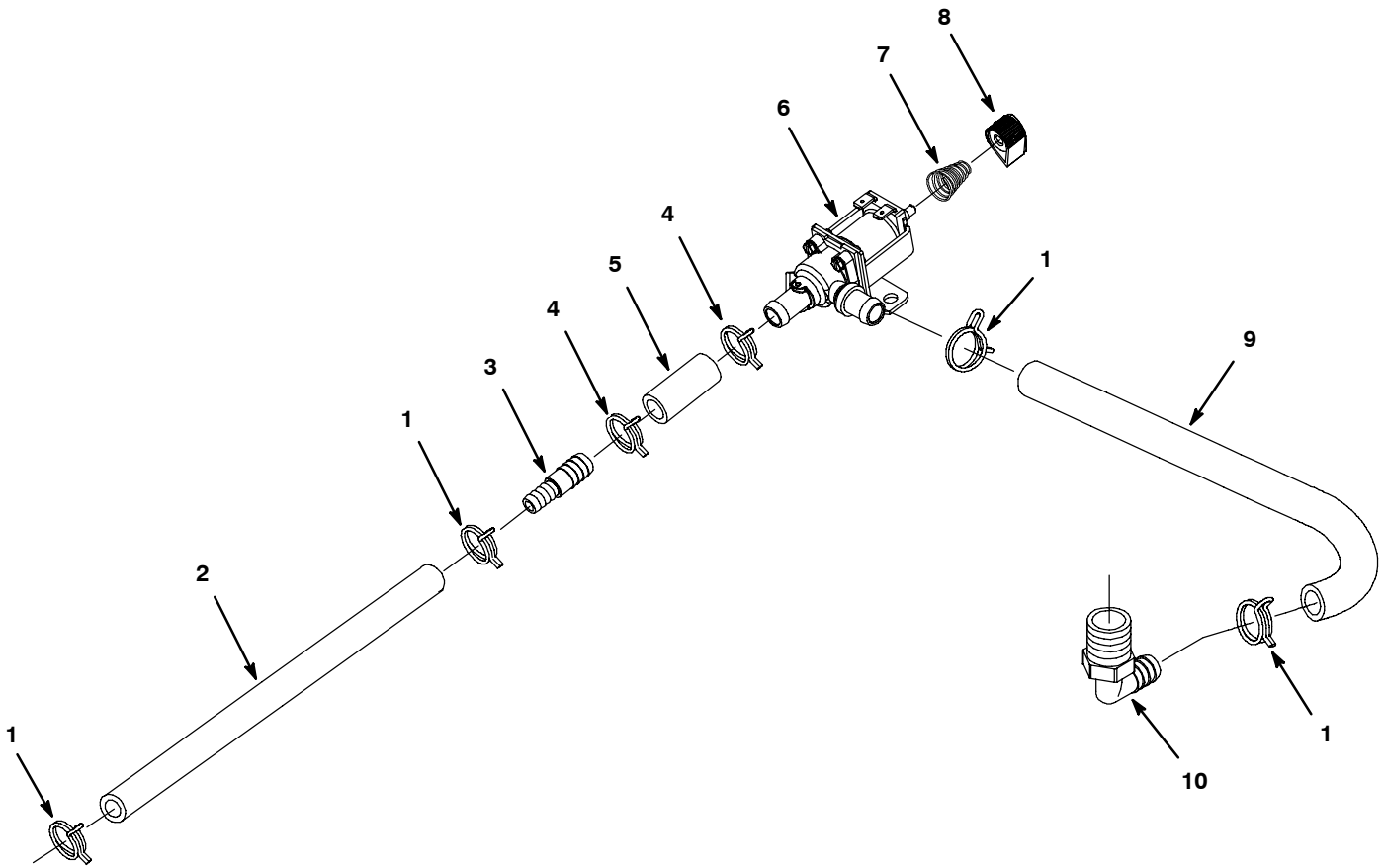
Ref.	Part No.	Serial Number	Description	Qty.
▽	9006161	(10378531-10449386)	● Module Kit, Replmt [Ec-H2o]	1
▲	1 1037032	(10378531-) Housing, Bottom	1
▲	2 1054776	(10378531-	● Grommet, Blind	1
▲	3 609062	(10378531-10449386)) Screw, Trs, Phl, 08-32 X 0.38, Ss	1
▲	4 578860	(10378531-10449386)) Screw, Pan, Phl, 04-40 X 0.31, Pl	2
▲	5 3701.6	(10378531-10449386)) Screw, Pan, Phl, 06-32 X 0.38, Shtmtl,Ss	4
▲	6 613735	(10378531-) Clamp, Hose, Wir, .40 - .42, Yel	1
▲	7 9004606	(10378531-10449386)) Hose, Pvc, Brd, .25id .45od 46l, Clr	1
▲	8 1049637	(10378531-) Label, Direction [Ec-H2o]	1
▲	9 140826	(10378531-10449386)) Screw, Pan, 06-32 X 0.75, Fmg/Ab, Ss	4
▲	10 578820000	(10378531-) Hose, Pvc, Brd, 0.25id 0.44od 157.2l,Clr	1
▲	11 603654	(10378531-) Clamp, Hose, Ear, .44d [Ctb]	4
▲	12 1037595	(10378531-) Fitting, Plstc, E90, Bm04/Pm02, Nyl	2
▲	13 140801	(10378531-10449386)) Screw, Trs, Phl, 08-32 X 0.38, Ss	2
▲	14 1013236	(10378531-	● Valve, Shutoff, Ele, 24vdc	1
▲	15 1045030	(10378531-) Fitting, Brs, Str, Pm02/Pm02	1
▲	16 1038159	(10378531-	● Electrode, Cylindrical	1
▲	17 N/A	(10378531-10449386)	● Part Not Sold Separately - Order E-Cell Upgrade Kit P/N 9006324	1
▲	18 1018155	(10378531-) Screw, Pan, Phl, M5 X 0.80 X 16, Tcut,Ss	8
▲	19 1044393	(10378531-	● Switch, Rocker, Spst, Mom,	1
▲	20 9006159	(10378531-	● Controller Kit, Replmt [Ec-H2o]	1
▲	21 1044399	(10378531-10449386)	● Harness, Main, Controller [Ec-H2o, P3]	1

▽ ASSEMBLY

▲ INCLUDED IN ASSEMBLY

● RECOMMENDED STOCK ITEMS

SOLUTION GROUP, STANDARD MODEL



SOLUTION GROUP, STANDARD MODEL

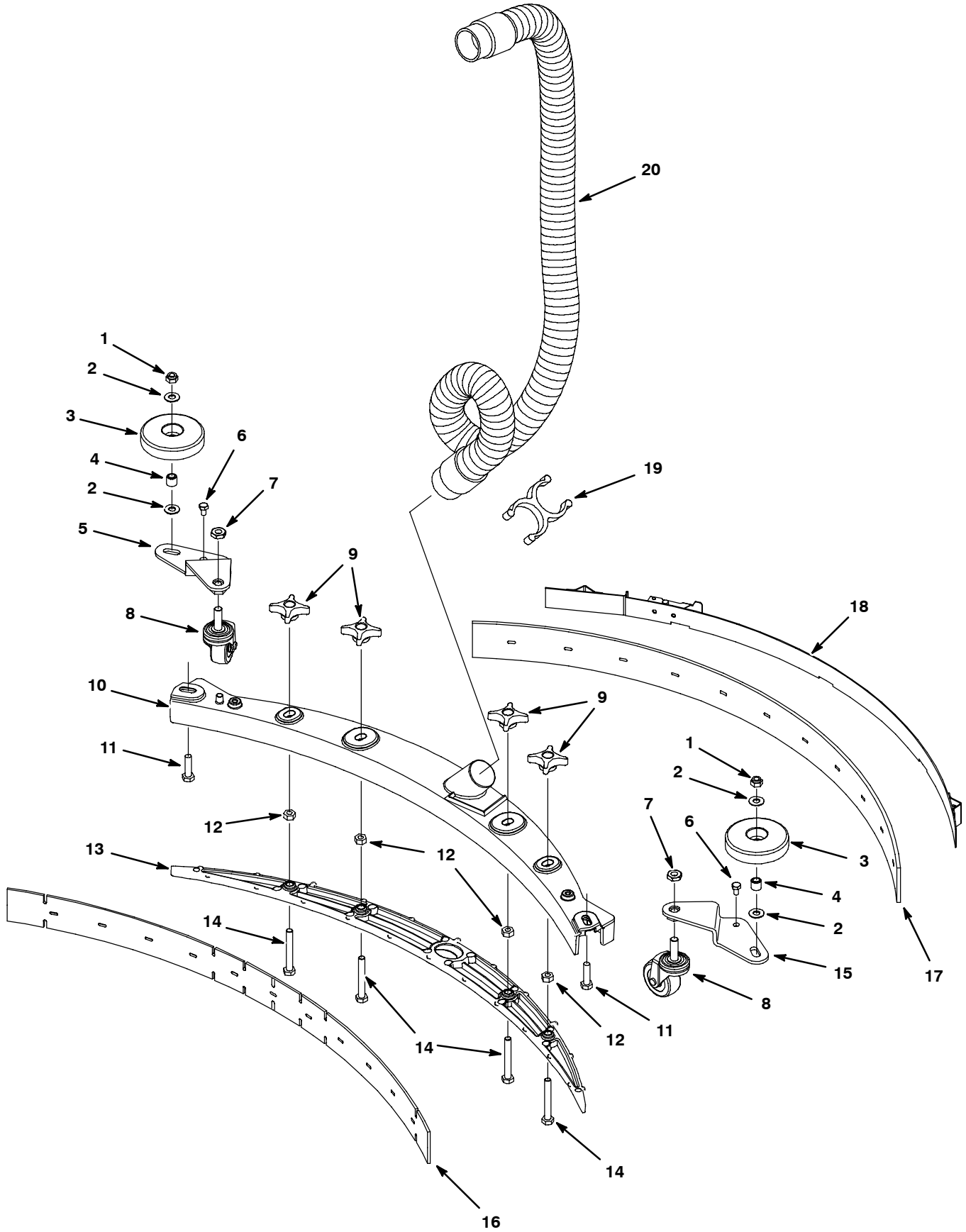
Ref.	Part No.	Serial Number	Description	Qty.	
1	607775	(10372394-) Clamp, Hose, Wir, .63 - .66, Blk	4	
2	613444	(10372394-) Hose, Pyu, Clr, 0.38id 0.62od 020.0l	1	
3	612774	(10372394-) Fitting, Plstc, Str, Bm06/Bm08	1	
4	607776	(10372394-) Clamp, Hose, Wir, .73 - .77, Silver	2	
5	606225	(10372394-) Hose, Pvc, Clr, 0.50id 0.75od 001.8l	1	
▽	6	1062385	(10372394-)● Valve, Water, Solenoid, 24vdc Bm10/Bm10	1	
▲	614265	(10372394-)● Valve Kit, Water [Viton Diaphram]	1	
	7	1017091	(10372394-) Spring, Cmpr, 0.50od .04wir 00.8l	1
	8	1013442	(10372394-)● Knob, Valve, Indicator, Blk	1
	9	613518	(10372394-) Hose, Pvc, Clr, 0.50id 0.75od 008.0l	1
	10	1013505	(10372394-) Fitting, Plstc, E90, Bm08/Pm08, Nyl	1

▽ ASSEMBLY

▲ INCLUDED IN ASSEMBLY

● RECOMMENDED STOCK ITEMS

SQUEEGEE GROUP



SQUEEGEE GROUP

Ref.	Part No.	Serial Number	Description	Qty.
▽	9001178	(10372394-)● Squeegee Assy Kit, 500mm, Ci	1
▲	1 08713	(10372394-) Nut, Hex, Lock, M8 X 1.25, NI, Ss	2
▲	2 140027	(10372394-) Washer, Flat, 0.35b 0.75d .04, Ss	4
▲	3 1010560	(10372394-)● Wheel, Bmpr, 80d X 25w, Non-Marking	2
▲	4 222460	(10372394-) Sleeve, P/M, 0.31b 0.50d 0.5l [430ss]	2
▲	5 1011228	(10372394-) Plate, Mtg, Caster, Sqge, Rh	1
▲	6 74455	(10372394-) Screw, Hex, M6 X 1.0 X 12, Fmg	2
▲	7 32716	(10372394-) Nut, Hex, Jam, M10 X 1.5, Ss	2
▲	8 1006343	(10372394-)● Caster, Swivel, 50mmd, M10 X 30, Clr PI	2
▲	9 1010558	(10372394-)● Knob, Star, 2.00d 4ear 0.7l M8x1.25,Thru	4
▲	10 1011163	(10372394-) Frame, Sqge, 74cm, Die Cast [50cm - T3]	1
▲	11 09011	(10372394-) Screw, Hex, M8 X 1.25 X 30, Ss	2
▲	12 07786	(10372394-) Nut, Hex, Std, M8 X 1.25, Ss	4
▲	13 1019919	(10372394-) Retainer, Sqge, 76cm Nyl, Blk [50cm-T3]	1
▲	14 1014163	(10372394-) Screw, Hex, M8 X 1.25 X 60, Fl, Ss	4
▲	15 1011956	(10372394-) Plate, Mtg, Caster, Sqge, Lh	1
▲	16 1011232	(10372394-)● Blade, Sqge, Front, 500mml Linatex (Linatex Red Standard)	1
	16 1014091	(10372394-)● Blade, Sqge, Front, 500mml, Gum (Gum Rubber Tan Optional)	1
	16 1014092	(10372394-)● Blade, Sqge, Front, 500mml, Oil-Rstn (Polyurethane Natural Optional)	1
▲	17 1011456	(10372394-)● Blade, Sqge, Rear, 32.7l, Linatex[500mm] (Linatex Red Standard)	1
	17 1014093	(10372394-)● Blade, Sqge, Rear, 32.7l, Gum [500mm] (Gum Rubber Tan Optional)	1
	17 1014094	(10372394-)● Blade, Sqge, Rear, 32.7l,Oil-Rstn[500mm] (Polyurethane Natural Optional)	1
▲	18 1013933	(10372394-) Strap Assy, Sqge, 500mm [Triple Threat]	1
	19 1014079	(10372394-)● Clip, Grip, Hose, 1.50id, Dbl, Blk Pyp	1
	20 1014026	(10372394-)● Hose, Vacuum, 1.50id X 057.0l, 2cuff	1

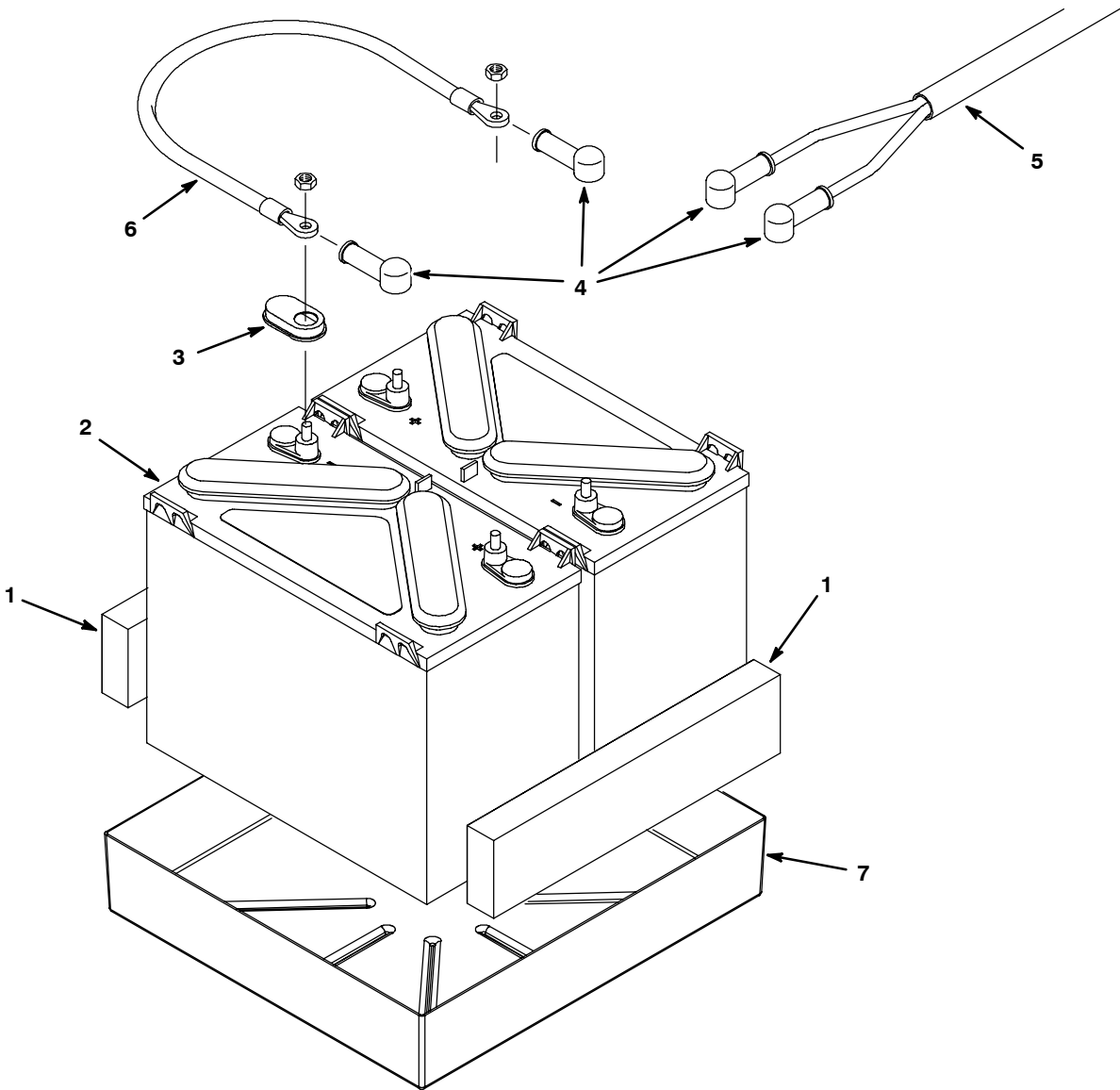
▽ ASSEMBLY

▲ INCLUDED IN ASSEMBLY

● RECOMMENDED STOCK ITEMS

STANDARD PARTS

BATTERY GROUP, 12V/155AH, 50 cm (20 in) DRIVE MODEL



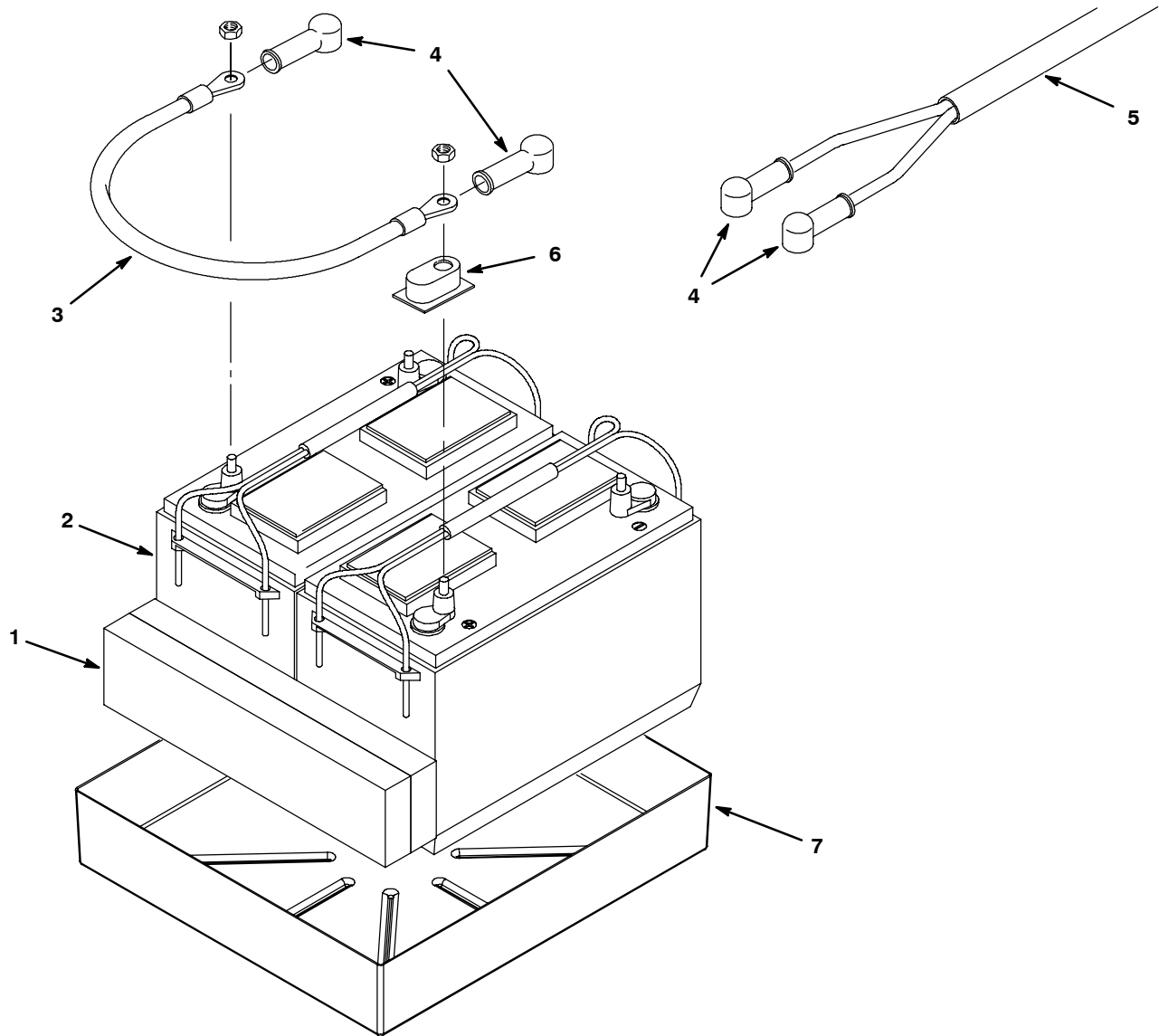
Ref.	Part No.	Serial Number	Description	Qty.	
1	630375	(10372394-	● Spacer, Battery, 1.25 X 3.3 X 13.7, Foam	2	
▽	2	1015046	(10372394-	● Battery, Wet, 12vdc 0155ah	2
▲	3	1041030	(10372394-	● Cap, Battery	4
	4	611221	(10372394-	● Boot, Terminal, Battery, 25.4mm, Blk	4
	5	1015941	(10372394-) Harness, Battery [T3]	1
	6	130364	(10372394-	● Cable, 06ga 15.0l Blk .31ring /.38ring	1
	7	1059486	(10372394-	● Tray, Battery [Ss3 / T3]	1

▽ ASSEMBLY

▲ INCLUDED IN ASSEMBLY

● RECOMMENDED STOCK ITEMS

BATTERY GROUP, 12V/130AH, 50 cm (20 in) BRUSH ASSIST MODEL

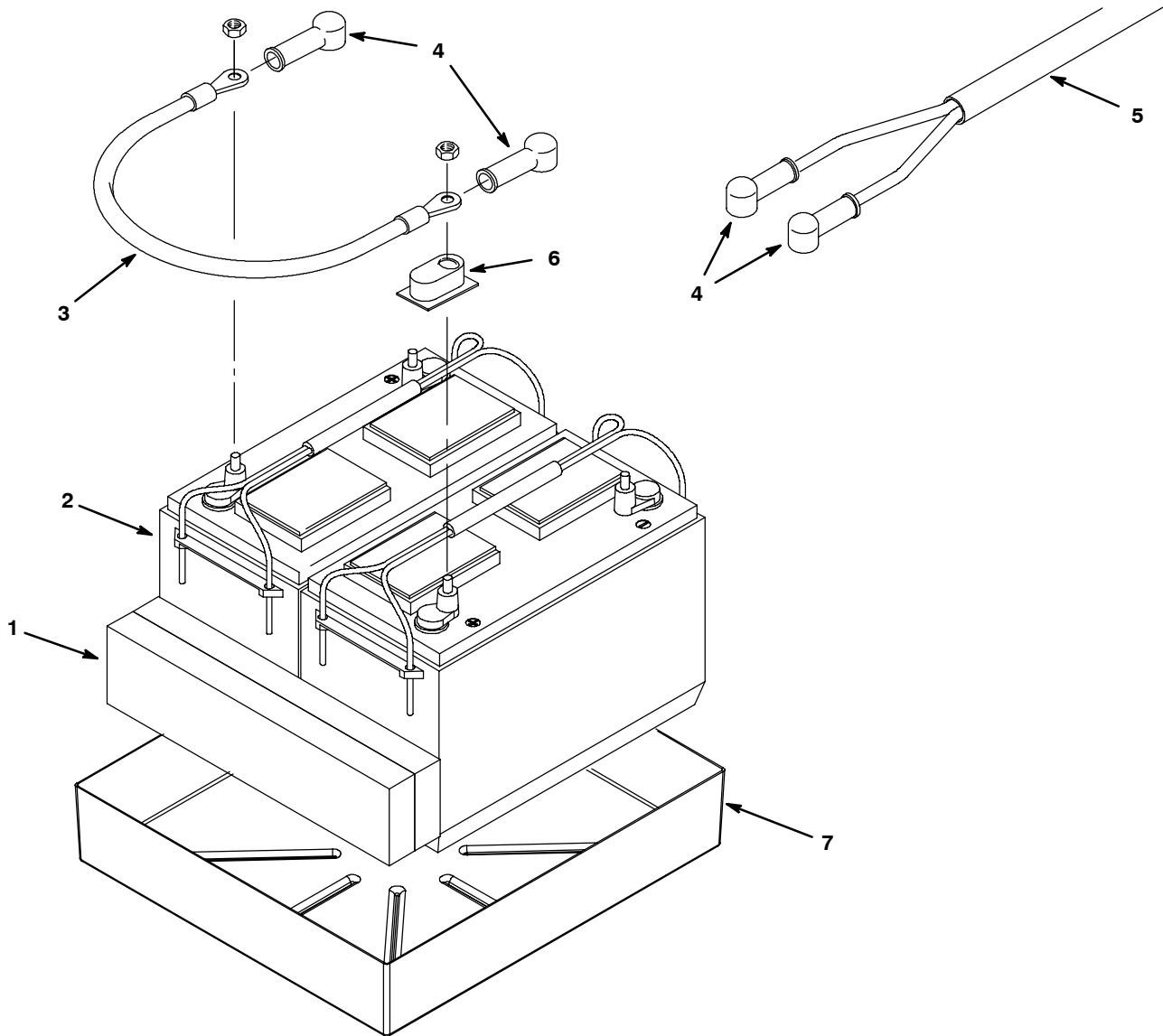


Ref.	Part No.	Serial Number	Description	Qty.
1	630375	(10372394-)● Spacer, Battery, 1.25 X 3.3 X 13.7, Foam	2
2	130869	(10372394-)● Battery, 12vdc 0130ah [30xhs-Wnt]	2
3	130364	(10372394-)● Cable, 06ga 15.0l Blk .31ring /.38ring	1
4	611221	(10372394-)● Boot, Terminal, Battery, 25.4mm, Blk	4
5	1015941	(10372394-) Harness, Battery [T3]	1
6	45962	(10372394-) Cap, Plstc, .04 1.38 X 2.30 0.5l	4
7	1059486	(10372394-)● Tray, Battery [Ss3 / T3]	1

● RECOMMENDED STOCK ITEMS

STANDARD PARTS

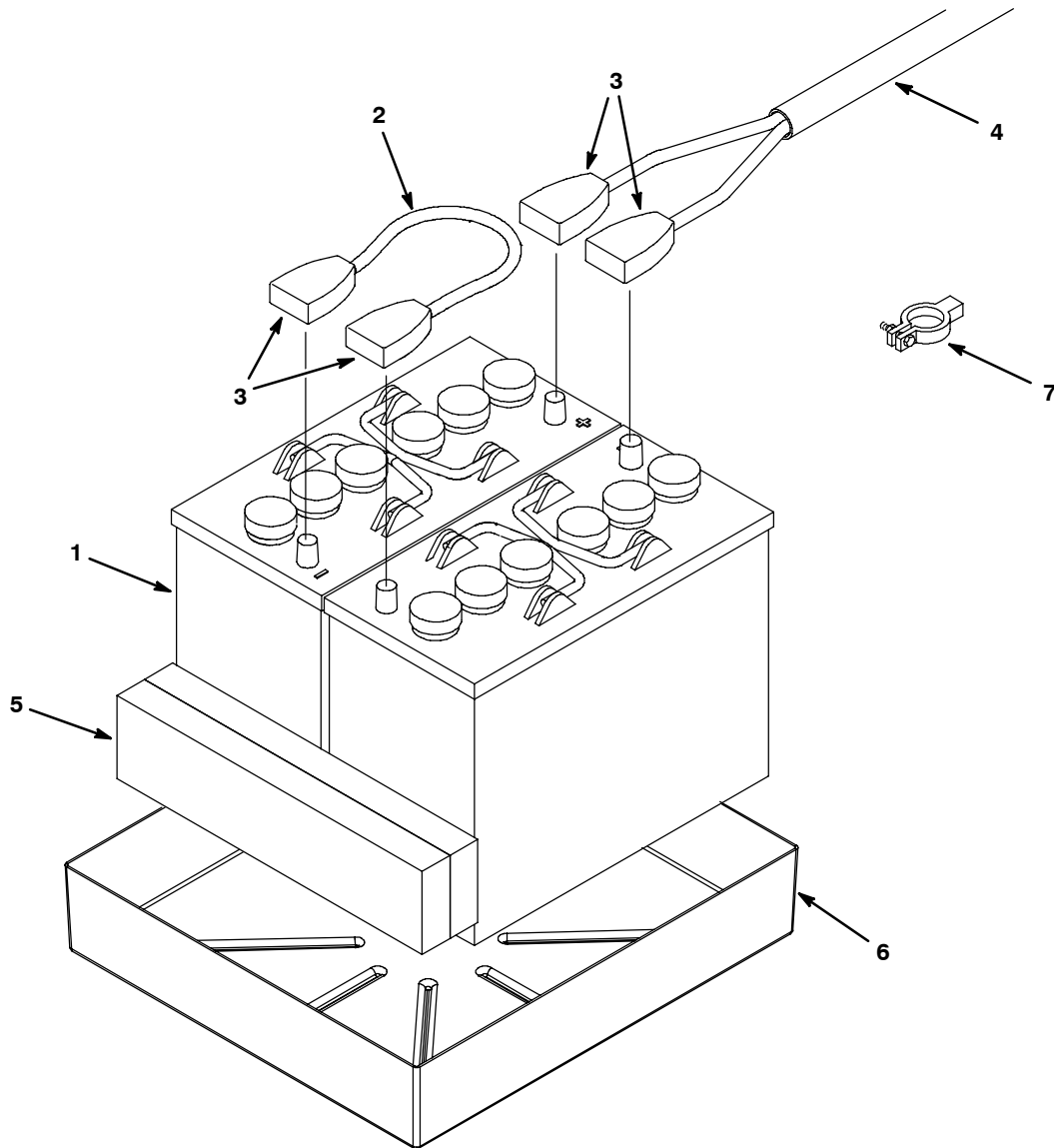
BATTERY GROUP, 12V/105AH, 43 cm (17 in) BRUSH ASSIST MODEL



Ref.	Part No.	Serial Number	Description	Qty.
1	630375	(10372394-)● Spacer, Battery, 1.25 X 3.3 X 13.7, Foam	2
2	578426	(10372394-)● Battery, 12vdc 0105ah 0530cca [27tmx]	2
2	130869	(10372394-)● Battery, 12vdc 0130ah [30Xhs-Wnt] (Japan)	2
3	130364	(10372394-)● Cable, 06ga 15.0l Blk .31ring /.38ring	1
4	611221	(10372394-)● Boot, Terminal, Battery, 25.4mm, Blk	4
5	1015941	(10372394-) Harness, Battery [T3]	1
6	45962	(10372394-) Cap, Plstc, .04 1.38 X 2.30 0.5l	4
7	1059486	(10372394-)● Tray, Battery [Ss3 / T3]	1

● RECOMMENDED STOCK ITEMS

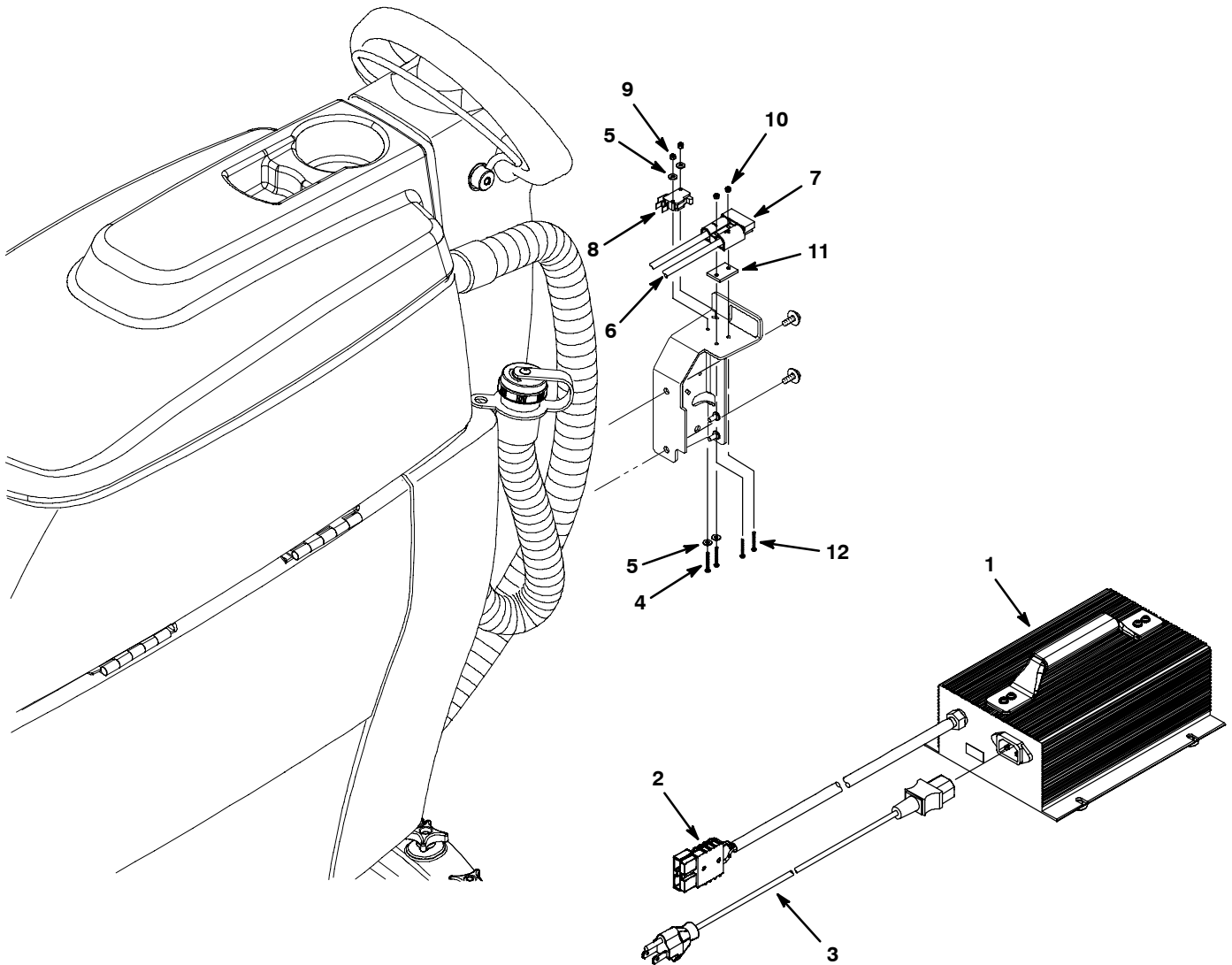
**BATTERY GROUP, MAINTENANCE FREE, 12V/105AH
(JAPAN MARKET)**



Ref.	Part No.	Serial Number	Description	Qty.
1	994201	(10372394-)● Battery, 06vdc 165ah [5h, Gf061602]	4
2	130364	(10372394-)● Cable, 06ga 15.0l Blk .31ring /.38ring	1
3	989860	(10372394-)● Cover Set, Terminal, Battery (Set of 2)	2
4	1015941	(10372394-) Harness, Battery [T3]	1
5	630375	(10372394-) Spacer, Battery, 1.25 X 3.25 X 13.7 Foam	2
6	1059486	(10372394-)● Tray, Battery [Ss3 / T3]	1
7	93580	(10372394-)● Clamp, Post, Battery, Positive	2
7	93581	(10372394-)● Clamp, Post, Battery, Negative	2

● RECOMMENDED STOCK ITEMS

OFF-BOARD BATTERY CHARGER GROUP



OFF-BOARD BATTERY CHARGER GROUP

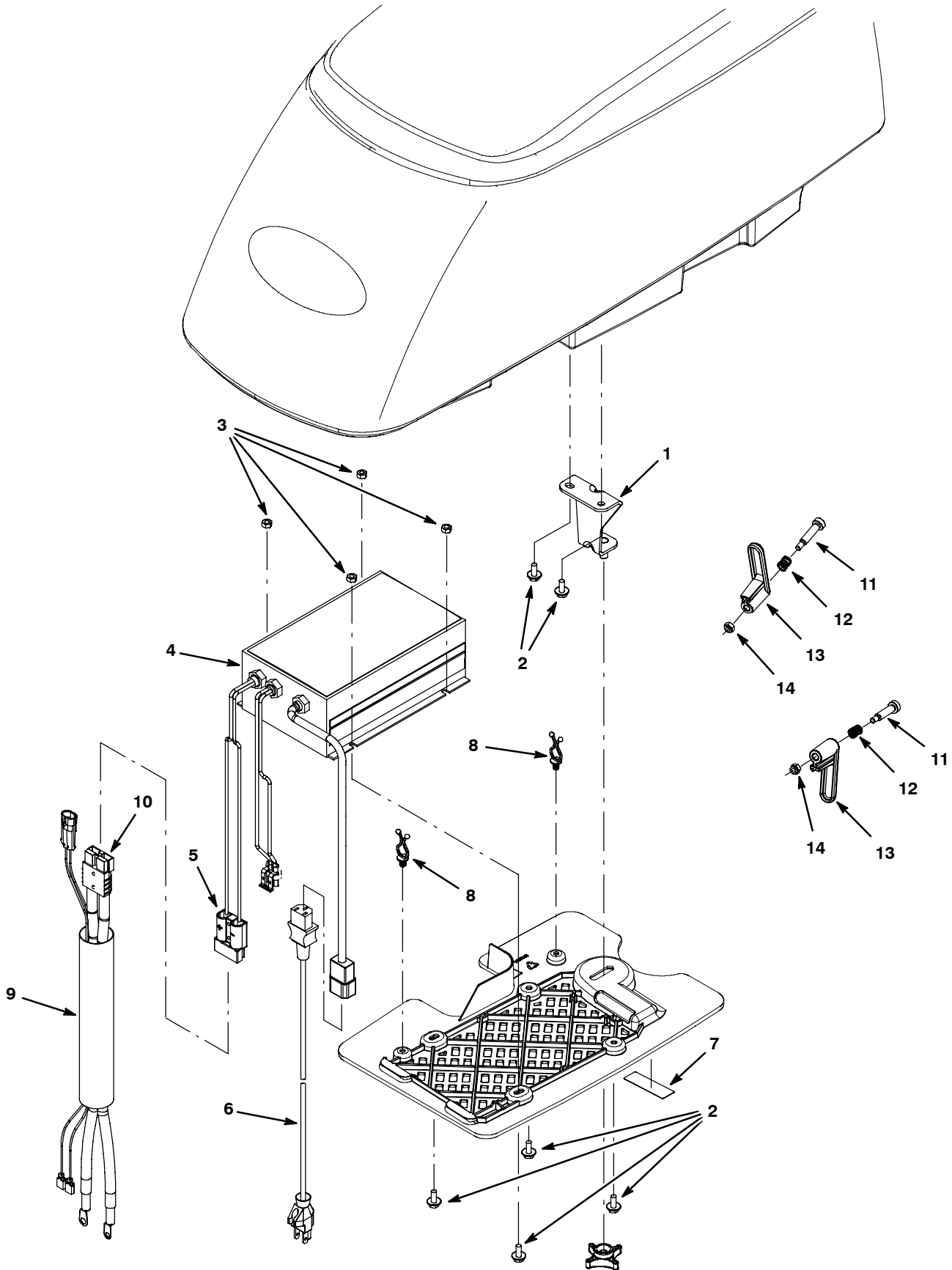
	Ref.	Part No.	Serial Number	Description	Qty.
▽	1	1056034	(10372394-)● Charger, 24vdc, 11a Var Vac 1ph 50/60hz	1
▲	2	605387	(10372394-)● Connector, Anderson, 50a,Red W/O Contact	1
	3	1025642	(10372394-)● Cord, Power, 16/3, 4.5 Meters, Blk [Us] (US/Japan)	1
	3	1026330	(10372394-)● Cord, Power, 1.0mm2 X 2.5 Meters [China]	1
	3	1026325	(10372394-)● Cord, Power, 1.0mm2 X 2.5 Meters [Aus]	1
	3	1032849	(10372394-)● Cord, Power, 2.5 Meter, Black [Ce]	1
	4	06922	(10372394-) Screw, Pan, M3 X 0.50 X 20, 4.8	2
	5	41578	(10372394-) Washer, Flat, #06, Ss	4
▽	6	1033362	(10372394-) Harness, Chrgr	1
▲	7	605387	(10372394-)● Connector, Anderson, 50a,Red W/O Contact	1
	8	611005	(10372394-)● Switch, Rlr, 16a, Micro	1
	9	579211	(10372394-) Nut, Hex, Lock, M3 X 0.50, Ss	2
	10	33932	(10372394-) Nut, Hex, Lock, M4 X 0.70, NI, Ss	2
	11	603331	(10372394-) Spacer, Plug, Chrgr	1
	12	1033197	(10372394-) Screw, Pan, M4x0.7x24, Phl, Ss [7985]	2

▽ ASSEMBLY

▲ INCLUDED IN ASSEMBLY

● RECOMMENDED STOCK ITEMS

ON-BOARD BATTERY CHARGER GROUP



ON-BOARD BATTERY CHARGER GROUP

Ref.	Part No.	Serial Number	Description	Qty.
1	1038222	(10372394-) Bracket, Wldt, Charger Cover	1
2	1034731	(10372394-) Screw, Hex, M6 X 1.00 X 16, Sems, Ss	6
3	08712	(10372394-) Nut, Hex, Lock, M6 X 1.00, NI, Ss	4
▽	4	1056035	(10372394-)● Charger, 24vdc 11a 100/240vac 50/60hz	1
▲	5	605387	(10372394-)● Connector, Anderson, 50a,Red W/O Contact	1
6	1025642	(10372394-)● Cord, Power, 16/3, 4.5 Meters, Blk [Us] (US/Japan)	1
7	1039220	(10372394-) Label, Chrgr Led Indicator	1
8	30406	(10372394-) Clip, Keeper	2
▽	9	1037813	(10372394-)● Harness, Chrgr, Onboard [T3-Hd]	1
▲	10	605387	(10372394-)● Connector, Anderson, 50a,Red W/O Contact	1
11	1024965	(10372394-) Bolt, Shld, 8mmd X 30, M6x1.0	2
12	611311	(10372394-) Spring, Cmpr, 10.9d, 1.1w, 12.7l Mw Zn	2
13	610906	(10372394-)● Hook, Cord Viper	2
14	08712	(10372394-) Nut, Hex, Lock, M6 X 1.00, Ss, NI	2

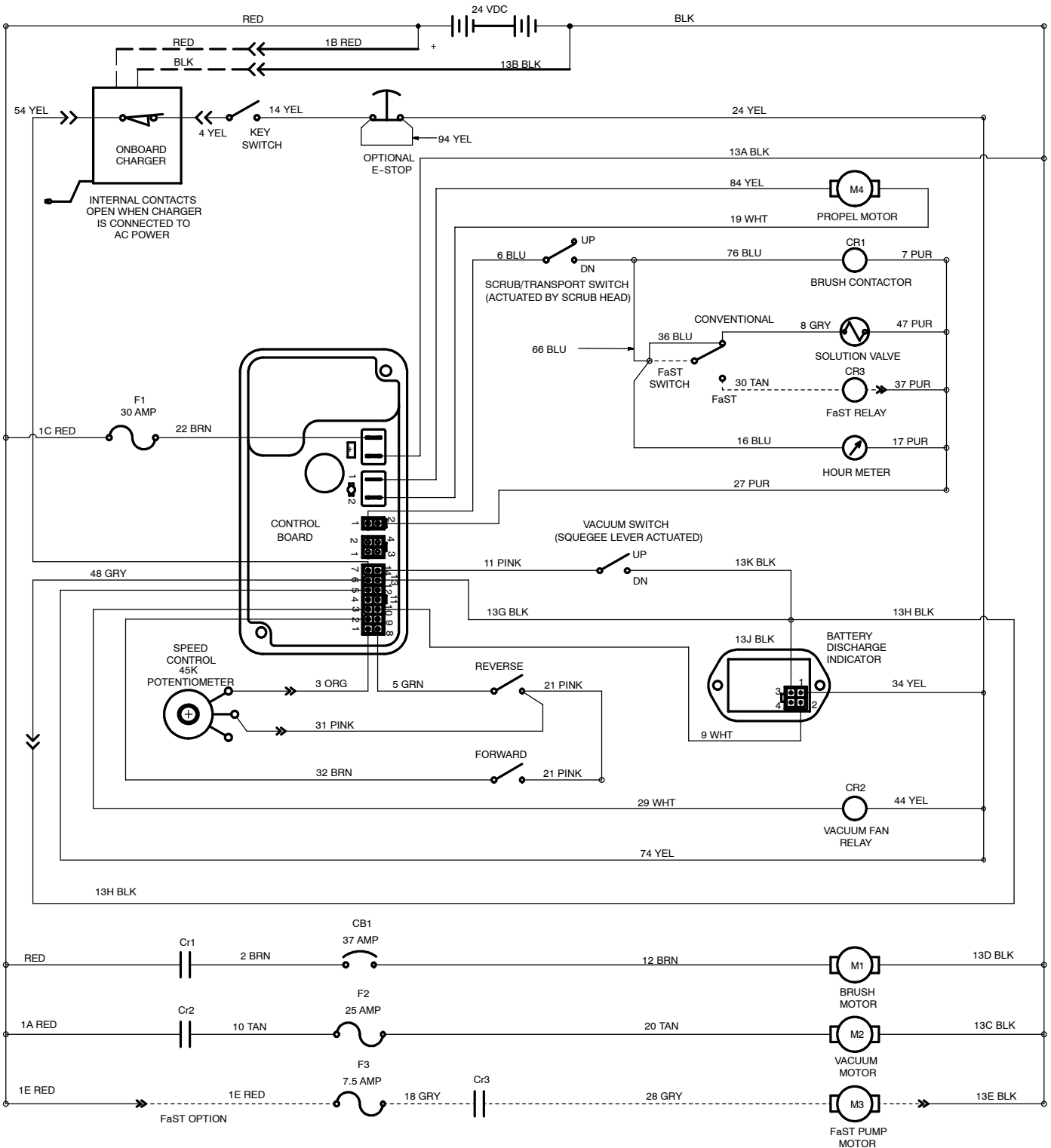
▽ ASSEMBLY

▲ INCLUDED IN ASSEMBLY

● RECOMMENDED STOCK ITEMS

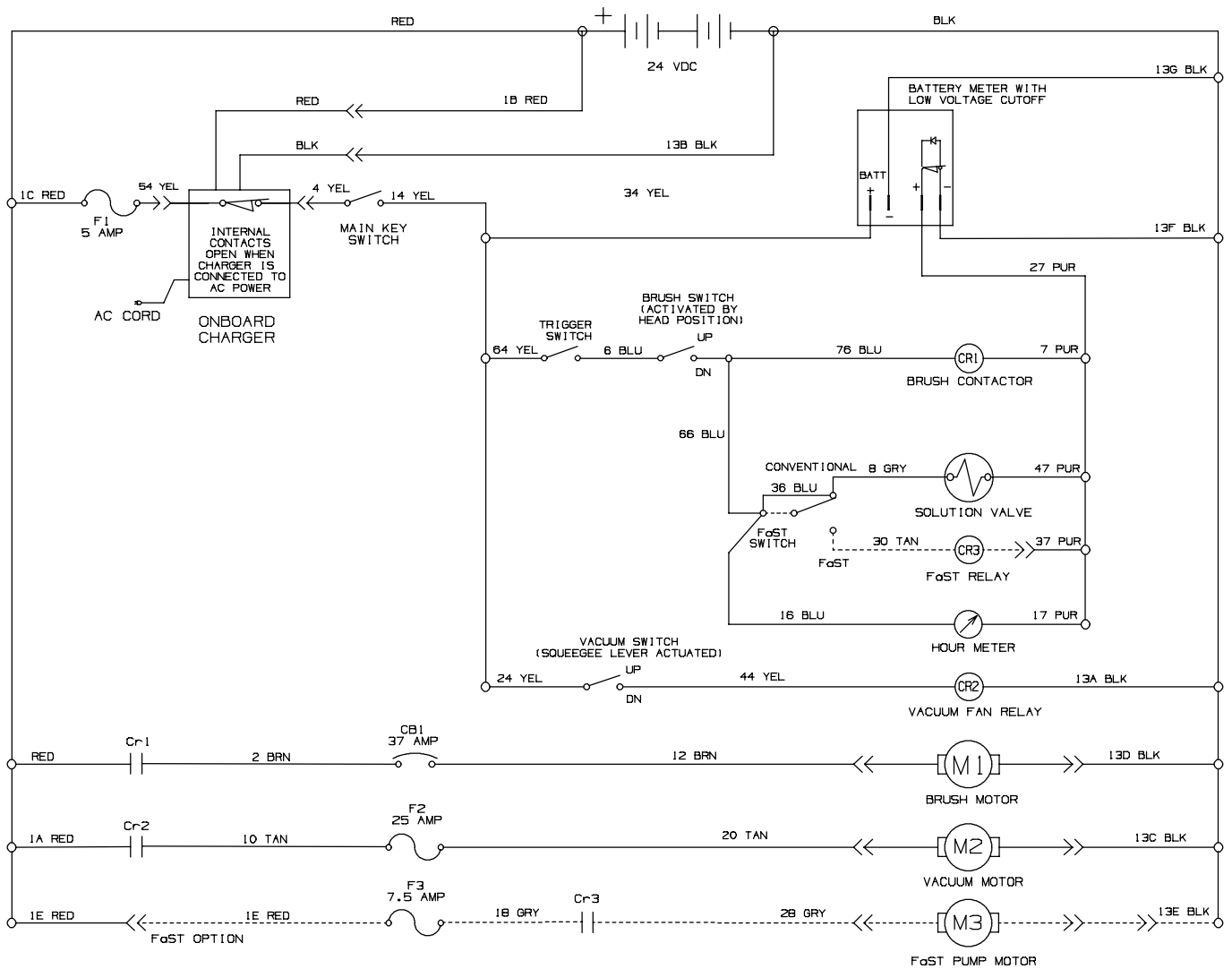
ELECTRICAL DIAGRAM, DRIVE STANDARD & FAST MODEL

1043407



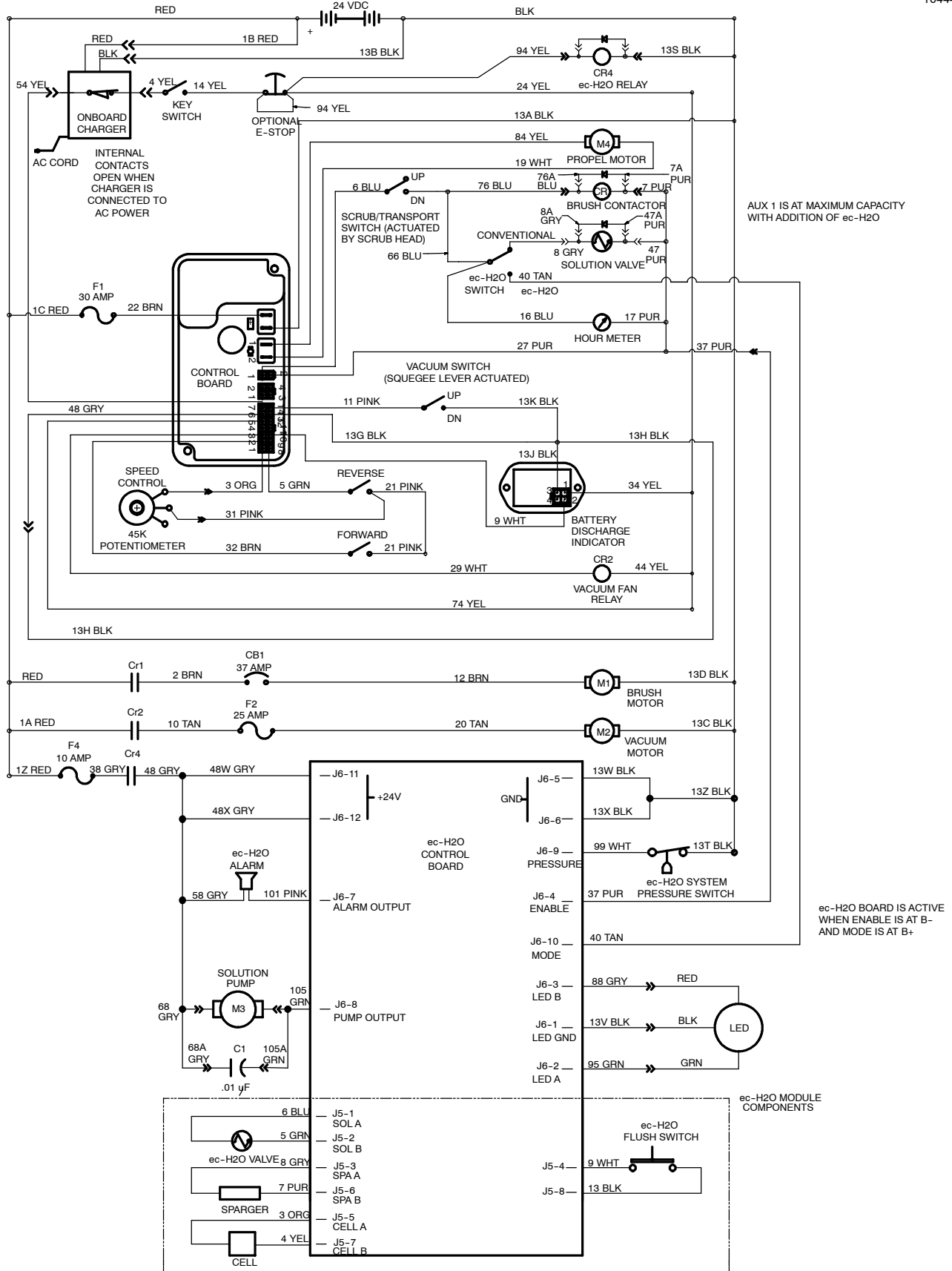
ELECTRICAL DIAGRAM, BRUSH ASSIST STANDARD & FAST MODEL

1043446



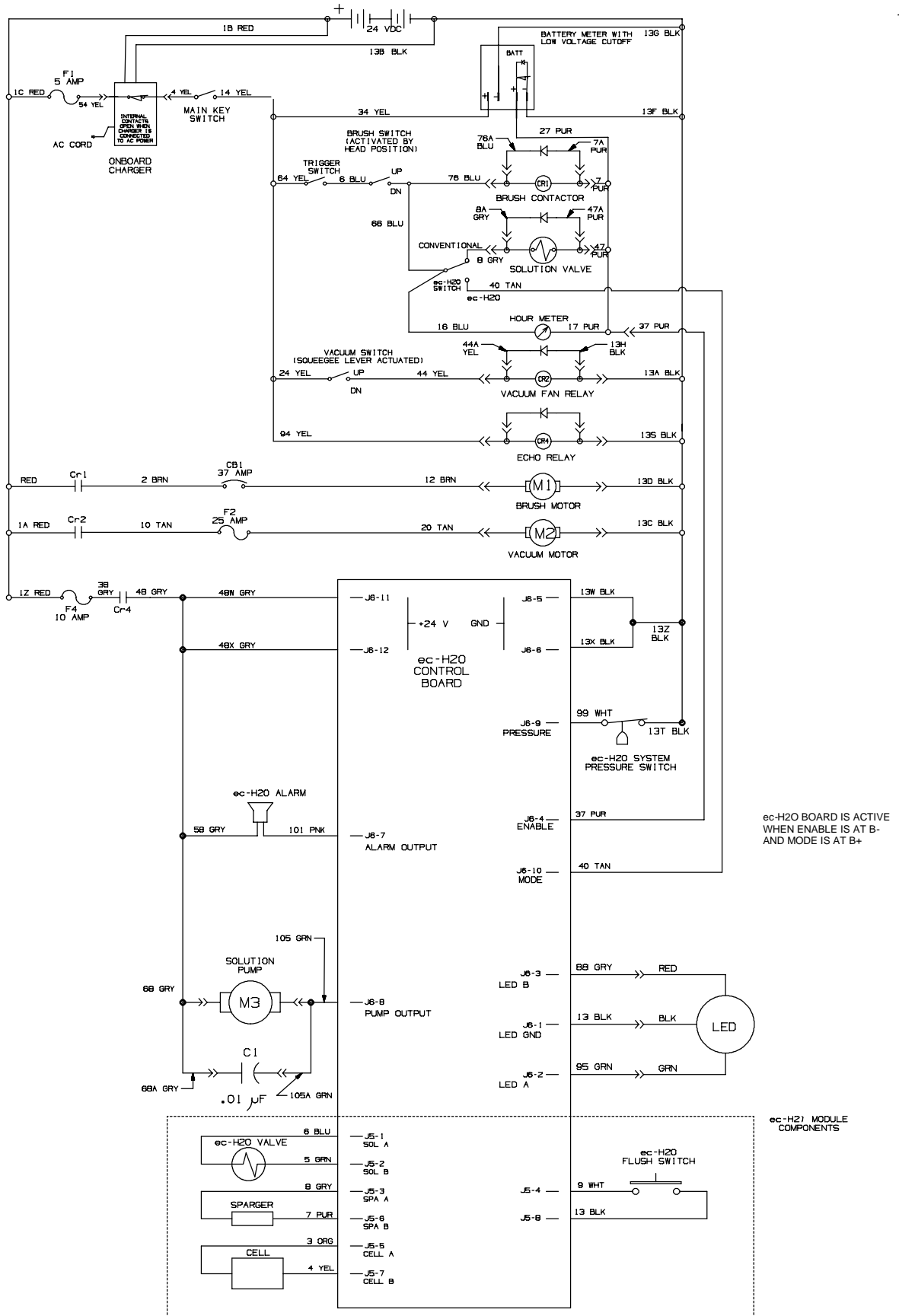
ELECTRICAL DIAGRAM, DRIVE *ec-H2O* MODEL

1044402



ELECTRICAL DIAGRAM, BRUSH ASSIST *ec-H2O* MODEL

1044426

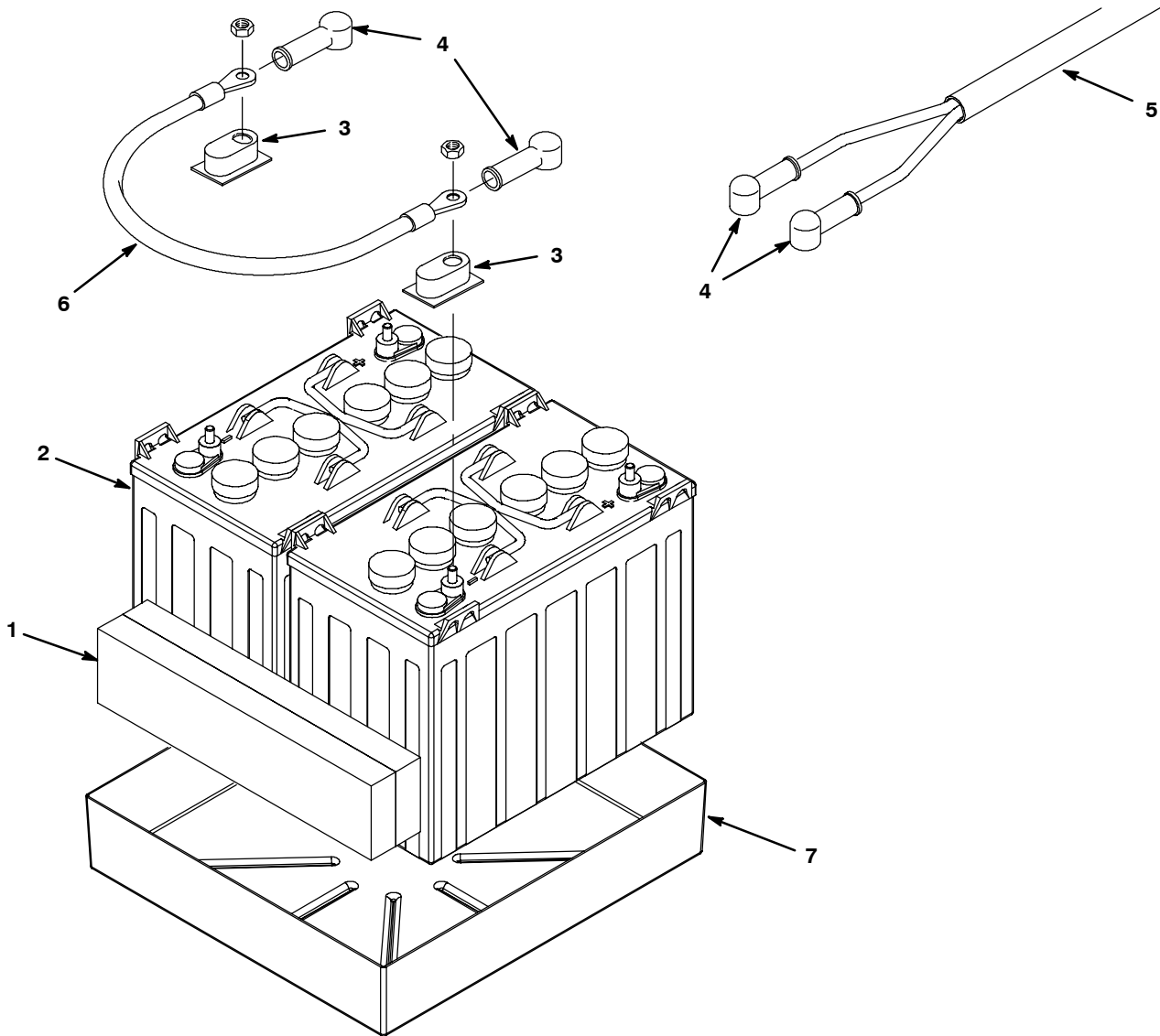


ec-H2O BOARD IS ACTIVE WHEN ENABLE IS AT B- AND MODE IS AT B+

ec-H2O MODULE COMPONENTS

OPTIONS

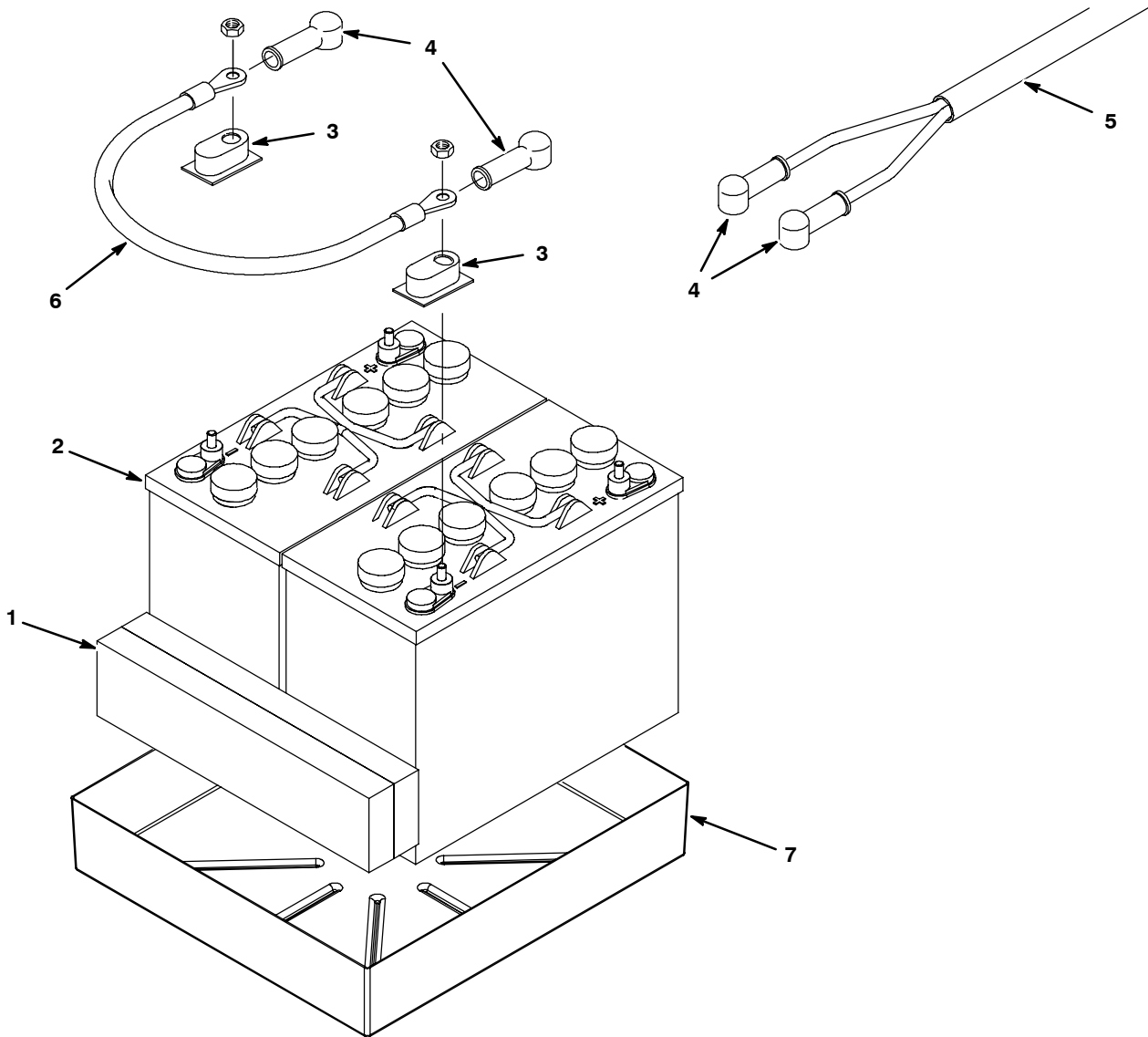
BATTERY GROUP, MAINTENANCE FREE, 12V/140AH



Ref.	Part No.	Serial Number	Description	Qty.
1	630375	(10372394-)● Spacer, Battery, 1.25 X 3.3 X 13.7, Foam	2
2	1053408	(10372394-)● Battery, 12vdc 0140ah Agm	2
3	1041030	(10372394-)● Cap, Battery	4
4	611221	(10372394-)● Boot, Terminal, Battery, 25.4mm, Blk	4
5	1015941	(10372394-) Harness, Battery [T3]	1
6	130364	(10372394-)● Cable, 06ga 15.0l Blk .31ring /.38ring	1
7	1059486	(10372394-)● Tray, Battery [Ss3 / T3]	1
N/S	9006166	(10372394-)● Charger, 24vdc, 11a Var Vac [Gel/Agm]	1

● RECOMMENDED STOCK ITEMS

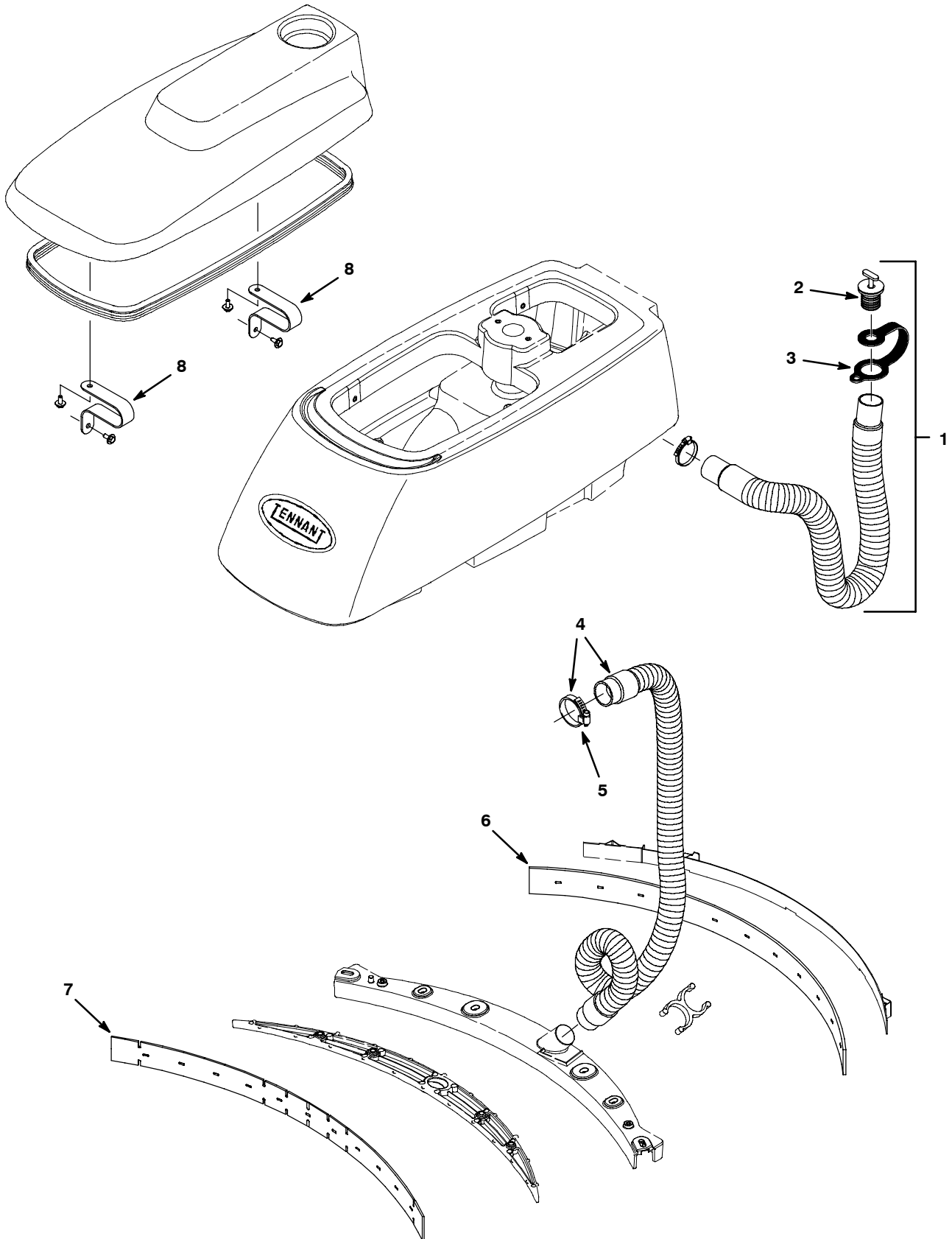
BATTERY GROUP, GEL, 12V/100AH



Ref.	Part No.	Serial Number	Description	Qty.
1	630375	(10372394-)● Spacer, Battery, 1.25 X 3.3 X 13.7, Foam	2
2	611867	(10372394-)● Battery, Gel, 12vdc 0100ah, Sealed	2
3	1041030	(10372394-)● Cap, Battery	4
4	611221	(10372394-)● Boot, Terminal, Battery, 25.4mm, Blk	4
5	1015941	(10372394-) Harness, Battery [T3]	1
6	130364	(10372394-)● Cable, 06ga 15.0l Blk .31ring /.38ring	1
7	1059486	(10372394-)● Tray, Battery [Ss3 / T3]	1

● RECOMMENDED STOCK ITEMS

OIL RESISTANCE GROUP
(JAPAN MARKET)



**OIL RESISTANCE GROUP
(JAPAN MARKET)**

	Ref.	Part No.	Serial Number	Description	Qty.
▽		989859	(10372394-) Kit, Oil Resistance, T3	1
▲▽	1	989857	(10372394-) Hose Assy, Urethane	1
▲▲	2	398850	(10372394-) Plug, Expandable, Rnd 1.500h 1.8l	1
▲▲	3	578441	(10372394-) Strap, Hose, Drain [170/443/E17]	1
▲▽	4	989858	(10372394-) Assy, Vacuum Hose, Urethane	1
▲▲	5	140308	(10372394-) Clamp, Hose, Wormdrive, 1.31-2.25d, .50w	1
▲	6	1014094	(10372394-) Blade, Sqge, Rear, 32.68l Pyu [500mm]	1
▲	7	1014092	(10372394-) Blade, Sqge, Front, 784mml Oil-Rstn	1
▲	8	989856	(10372394-) Strap, Tank, Urethane	2

▽ ASSEMBLY

▲ INCLUDED IN ASSEMBLY