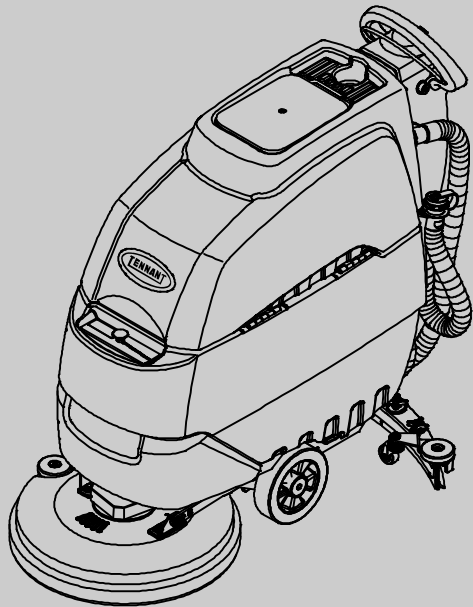
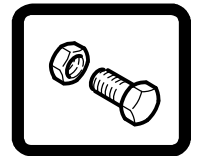




T3e

Scrubber-Dryer

Parts Manual



The Safe Scrubbing Alternative

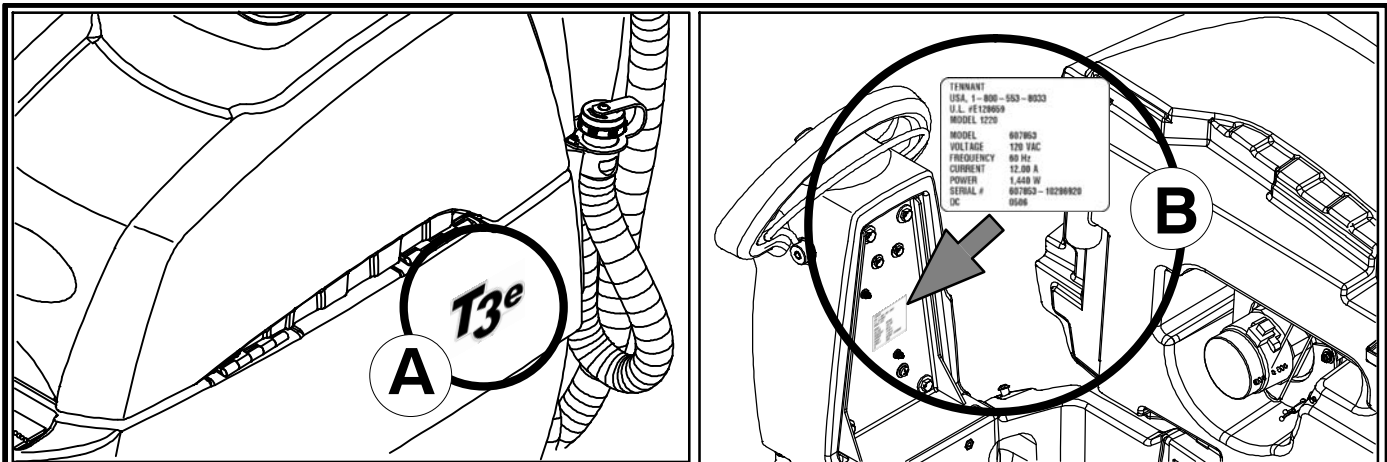


International

www.tennantco.com

1030167
Rev. 07 (01-2011)





Ref	Part No.	Serial Number	Description	Qty.
1	82681	(000000-)	Bracket Wldt, Lpg Mount	1
2	63810	(000000-)	Ch Assy, Lpg Tank Mtg, W/Nut	4
3	51839	(000000-)	at Adjustable, Lpg Tank Mtg	2
4	49263	(000000-)	Tie, Cable	3
5	82556	(000000-001039)	Bracket, Vaporizer	1
6	54930	(000000-)	Vaporizer, LPG	1

HOW TO ORDER PARTS – See diagram above

Only use TENNANT Company supplied or equivalent parts. Parts and supplies may be ordered online, by phone, by fax or by mail.

Follow the steps below to ensure prompt delivery.

1. (A) Identify the machine model.
2. (B) Identify the machine serial number from the data label.
3. (C) Ensure the proper serial number is used from the parts list.
4. Identify the part number and quantity.
Do not order by page or reference numbers.
5. Provide your name, company name, customer ID number, billing and shipping address, phone number and purchase order number.
6. Provide detail shipping instructions.

- (D) ▽ – identifies an assembly
 ▲ – identifies parts included in assembly
 (E) ● – identifies a recommended stock item

Please fill out at time of installation for future reference.

Model No. – _____
 Serial No. – _____
 Machine Options – _____
 Sales Rep. – _____
 Sales Rep. phone no. – _____
 Customer ID Number – _____
 Installation Date – _____

Tennant Company
 PO Box 1452
 Minneapolis, MN 55440 USA
 Phone: (800) 553-8033 or
 (763) 513-2850
 www.tennantco.com

Tennant Company Shanghai
 Building 3, No. 66, Tian Ying Road
 Shanghai Qingpu Industrial Zone
 Shanghai 201700
 People's Republic of China
 Phone: (86-21) 6922-5333
 www.tennantco.com.cn

TENNANT Company Japan
 Sanka Bldg. 5F
 2-9 Minami Saiwai-cho
 Saiwai-Ku
 Kawasaki, Kanagawa 212-0016
 Tel: 044-556-1201
 Fax: 044-556-1202
 www.tennant.co.jp

Specifications and parts are subject to change without notice.

Copyright © 2006, 2007, 2008, 2009, 2010, 2011
 TENNANT Company, Printed in China.

CN	<p>如何订购部件 - 参见下表</p> <p>仅使用 TENNANT 公司提供的或同等部件。部件和供应可以在线订购，通过电话、传真或邮件订购。请遵循下面的步骤确保及时交付。</p> <ol style="list-style-type: none"> 1. (A) 确定机器型号。 2. (B) 从数据标签确定机器序列号。 3. (C) 确保使用部件列表中的正确序列号。 4. 确定部件号和数量。 不要按页面或参考编号订购。 5. 提供您的姓名、公司名称、客户 ID 号、付帐和送货地址、电话号码和采购单编号。 6. 提供详细的送货说明。 <hr/> <p>(D) ▽ - 确定组件 ▲ - 确定组件中包含的组件</p> <p>(E) ● - 确定建议的库存项</p>	<p>请在安装时填写供未来参考。</p> <p>型号 - _____</p> <p>序列号 - _____</p> <p>机器选项 - _____</p> <p>销售代表 - _____</p> <p>销售代表电话号码 - _____</p> <p>客户 ID 编号 - _____</p> <p>安装日期 - _____</p>
-----------	---	--

ES	<p>CÓMO SOLICITAR PIEZAS - Consulte el diagrama anterior.</p> <p>Utilice sólo las piezas suministradas por TENNANT Company o piezas equivalentes. Puede solicitar las piezas a través de internet, por teléfono, por fax o por correo.</p> <p>Siga los siguientes pasos para que la entrega sea rápida.</p> <ol style="list-style-type: none"> 1. (A) Indique el modelo de máquina. 2. (B) Indique el número de serie de la etiqueta de datos. 3. (C) Asegúrese de que indica el número de serie correcto de la lista de piezas. 4. Indique la cantidad y el número de la pieza. No realice el pedido indicando el número de página o el de referencia. 5. Incluya su nombre, el nombre de la empresa, el ID de cliente, las direcciones de envío y facturación, el número de teléfono y el número del pedido de compra. 6. Facilite instrucciones de envío. <hr/> <p>(D) ▽ - identifica un conjunto ▲ - identifica piezas de un conjunto</p> <p>(E) ● - identifica un artículo que conviene tener en stock</p>	<p>Rellene estos datos cuando realice la instalación para utilizarlos como referencia en el futuro.</p> <p>Nº modelo - _____</p> <p>Nº serie - _____</p> <p>Opciones de la máquina - _____</p> <p>Vendedor - _____</p> <p>Nº teléfono vendedor - _____</p> <p>Nº cliente - _____</p> <p>Fecha de instalación - _____</p>
-----------	---	---

JP	<p>パーツの発注方法 ? 上記の図を参照してください</p> <p>TENNANT社製のパーツまたは同等品のみをお使いください。パーツやサプライ品のご注文は、オンライン、電話、FAX、または手紙でお願いいたします。確実にお届けできるように、以下の情報お知らせください。</p> <ol style="list-style-type: none"> 1. (A) 製品のモデル名をお知らせください。 2. (B) 製品のデータラベルに印刷されているシリアル番号をお知らせください。 3. (C) パーツリストを参照して、シリアル番号が正しいかご確認ください。 4. パーツ番号と数量をお知らせください。マニュアル/カタログのページ番号や参照番号でのご注文はご遠慮ください。 5. お客様のお名前、会社名、顧客ID番号、請求/発送先住所、電話番号、注文書番号をお知らせください。 6. 発送に関するご希望があれば、明記してください。 <hr/> <p>(D) ▽ - アセンブリを示します ▲ - アセンブリに含まれるパーツを示します</p> <p>(E) ● - 当社推薦の在庫用品を示します</p>	<p>後日確認できるように、設置時に記入してください。</p> <p>モデルNo. - _____</p> <p>シリアルNo. - _____</p> <p>製品のオプション - _____</p> <p>販売代理店 - _____</p> <p>販売代理店の電話番号 - _____</p> <p>顧客ID番号 - _____</p> <p>設置日 - _____</p>
-----------	--	---

TABLE OF CONTENTS

RECOMMENDED MAINTENANCE ITEMS

GENERAL RECOMMENDED MAINTENANCE ITEMS	6
43 CM MODEL RECOMMENDED MAINTENANCE ITEMS	7
50 CM MODEL RECOMMENDED MAINTENANCE ITEMS	7
60 CM MODEL RECOMMENDED MAINTENANCE ITEMS	7

STANDARD PARTS

REPLACEMENT BRUSH AND PAD DRIVER GROUP, 43 CM MODEL	8
REPLACEMENT BRUSH AND PAD DRIVER GROUP, 50 CM MODEL	10
REPLACEMENT BRUSH AND PAD DRIVER GROUP, 60 CM MODEL	12
RECOVERY TANK GROUP	14
VACUUM MOTOR GROUP	16
SOLUTION TANK GROUP	18
CONTROL CONSOLE GROUP, DRIVE MODEL	20
COMPONENT PANEL GROUP, DRIVE MODEL	22
CONTROL CONSOLE GROUP, BRUSH ASSIST MODEL	24
COMPONENT PANEL GROUP, BRUSH ASSIST MODEL	26
WHEEL GROUP, BRUSH ASSIST MODEL	28
WHEEL GROUP, DRIVE MODEL (S/N 80001782-)	30
WHEEL GROUP, DRIVE MODEL (S/N 80000000-80001781)	32
SCRUB HEAD GROUP, 43 cm MODEL	34
SCRUB HEAD GROUP, 50 cm MODEL	36
SCRUB HEAD GROUP, DUAL DISK, 60 cm MODEL	38
SCRUB HEAD GROUP, DUAL DISK, 60 cm MODEL - CONT'D	40
SCRUB HEAD LIFT GROUP, 43 cm MODEL ...	42
SCRUB HEAD LIFT GROUP, 50 cm MODEL ...	44
SCRUB HEAD LIFT GROUP, DUAL DISK 60 cm MODEL	46
SQUEEGEE GROUP, 500 mm	48

SOLUTION GROUP, STANDARD MODEL	50
SOLUTION GROUP, ec-H2O MODEL	52
SOLUTION GROUP, ec-H2O MODEL - CONT'D	54
ec-H2O MODULE ASSEMBLY BREAKDOWN, 9007970 (S/N 80006004-)	56
ec-H2O MODULE ASSEMBLY BREAKDOWN, 9006161 (S/N 80002319-80006003)	58
SOLUTION GROUP, FaST MODEL	60
SOLUTION GROUP, FaST MODEL - CONT'D	62
9003906 FAST INJECTOR ASSEMBLY BREAKDOWN (S/N 80001391-) - SINGLE DISK 43 cm & 50 cm MODELS	64
9003801 FAST INJECTOR ASSEMBLY BREAKDOWN (S/N 80000000-80001390) - SINGLE DISK 43 cm & 50 cm MODELS	65
9003907 FAST INJECTOR ASSEMBLY BREAKDOWN - DUAL DISK 60 cm MODEL .	66
BATTERY AND CABLE GROUP, 12V/105 AH, 43 cm BRUSH ASSIST MODEL	67
BATTERY AND CABLE GROUP, 12V/130 Ah, 50 cm BRUSH ASSIST MODEL	68
BATTERY AND CABLE GROUP, 12V/155 AH, 50 cm / 60 cm DRIVE MODEL	69
ELECTRICAL DIAGRAM, BRUSH ASSIST STANDARD & FaST MODEL	70
ELECTRICAL DIAGRAM, DRIVE STANDARD & FaST MODEL	71
ELECTRICAL DIAGRAM, BRUSH ASSIST ec-H2O MODEL	72
ELECTRICAL DIAGRAM, DRIVE ec-H2O MODEL	73
WIRE HARNESS GROUP, ec-H2O OPTION (S/N 80005377-)	74
WIRE HARNESS GROUP, ec-H2O OPTION (S/N 80002319-80005376)	75
WIRE HARNESS GROUP, FAST OPTION	78
WIRE HARNESS GROUP, FRAME, DRIVE MODEL	79
WIRE HARNESS GROUP, MAIN, BRUSH ASSIST MODEL	80
WIRE HARNESS GROUP, MAIN, BRUSH ASSIST MODEL (AUSTRALIAN MODEL)	82
WIRE HARNESS GROUP, MAIN, DRIVE MODEL	84

WIRE HARNESS GROUP, MAIN, DRIVE MODEL
(AUSTRALIAN MODEL) 86

OPTIONS

DOCUMENTATION GROUP 88

OFF-BOARD BATTERY CHARGER GROUP ... 89

ON-BOARD BATTERY CHARGER GROUP,
STANDARD & FaST MODEL
(S/N 80006188-) 90

ON-BOARD BATTERY CHARGER GROUP,
STANDARD & FaST MODEL
(S/N 80001159-80006187) 92

ON-BOARD BATTERY CHARGER GROUP, ec-H2O
MODEL (S/N 80006188-) 94

ON-BOARD BATTERY CHARGER GROUP, ec-H2O
MODEL (S/N 80001159-80006187) 96

PARKING BRAKE GROUP 98

EMERGENCY STOP BUTTON GROUP 99

RECOMMENDED MAINTENANCE ITEMS

GENERAL RECOMMENDED MAINTENANCE ITEMS

Part No.	Description	Qty.
▽ 9001178	Squeegee Assy Kit, 500mm, Ci	1
▲ 1011232	Blade, Sqge, Front, 500mml Linatex (Linatex Red Standard)	1
1014091	Blade, Sqge, Front, 500mml, Gum (Gum Rubber Tan Optional)	1
1014092	Blade, Sqge, Front, 500mml, Oil-Rstn (Polyurethane Natural Optional)	1
▲ 1011456	Blade, Sqge, Rear, 32.7l, Linatex[500mm] (Linatex Red Standard)	1
1014093	Blade, Sqge, Rear, 32.7l, Gum [500mm] (Gum Rubber Tan Optional)	1
1014094	Blade, Sqge, Rear, 32.7l, Oil-Rstn[500mm] (Polyurethane Natural Optional)	1
▲ 1006343	Caster, Swivel, 50mmd, M10 X 30 Stem, PI	1
▲ 1010560	Wheel, Bmpr, 80d X 25w, Non-Marking	2
1014079	Clip, Grip, Hose, 1.50id, Dbl, Blk Pyp	1
1014026	Hose, Vacuum, 1.50id X 057.0l, 2cuff	1
▽ 1043538	Hose Assy, Drain, 1.50id X 29.5l, Blk	1
▲▽ 1008639	Cap, Drain Assy	1
▲▲ 1019563	Strap, Cap, Drain	1
630367	Seal, .50, .50w 33.9l, Adh [D Shape]	1
630052	Float, Shut-Off, (2)Ball, 1.75d	1
1013628	Gasket, Mtg, Float, .125th, Neo, Adh	1
1037106	Gasket, Adapter, Hose .13, Neo	1
100038	Gasket, .50, 02.63id 05.75od, Adh [Epdm]	1
1012965	Cap, Port, Soltn Fill	1
1029829	Hose, Drain, Soltn Tank [Ss3]	1
578301	Knob 10-32f Fill-Cover	1
621443	Chain, Ball, #10, 157mml, Ss	1
605062	Gasket, Cover, Soltn Fill	1
606146	Screen, Fltr, Soltn Fill, Nat	1
1026345	Caster, Swivel, 80mmd, M12 X 25, Clr PI	2
1014283	Pad, Adh, Non-Slip, 28mm X 36mm, Blk	1
1017251	Seal, Bulb, 90, 0.49d .08-.09grip 022.2l	1
1016040	Fuse, 025a 032vdc (Main Brush Assist Model)	1
1016041	Fuse, 030a 032vdc (Main Brush Assist Model)	1
1016040	Fuse, 025a 032vdc (Main Drive Model)	1
1016041	Fuse, 030a 032vdc (Main Drive Model)	1
1047470	Fuse, 10 Amp (ec-H2O Model)	1
1016039	Fuse, 007.5a 032vdc (Fast Model)	1
1039988	Orifice, Plug, .027 (Fast Model)	1
1017015	Detergent, Pkg, 2 Liter, Sgl [365] (Fast Model)	1
1017022	Detergent, Pkg, 2 Liter, Sgl [665] (Fast Model)	1

RECOMMENDED MAINTENANCE ITEMS

43 CM MODEL RECOMMENDED MAINTENANCE ITEMS

Part No.	Description	Qty.
1016763	Brush Assy, Disk, Scb, 17.0d, Abr (Gray–Abrasive Scrub)	1
1016764	Brush Assy, Disk, Scb, 17.0d, Nyl (White–Soft Nylon Scrub)	1
1016765	Brush Assy, Disk, Scb, 17.0d, Pyp (Black–Polypropylene Scrub)	1
1050273	Pad, Polish, 17.0d, White [1pick=1pad] (Polishing)	1
1050271	Pad, Buff, 17.0d, Red [1pick=1pad] (Light Scrubbing & Buffing)	1
1050270	Pad, Scb, 17.0d, Blue [1pick=1pad] (Medium Scrubbing)	1
1050267	Pad, Stripping, 17.0d, Brown[1pick=1pad] (Deep Scrubbing & Stripping)	1
1050262	Pad, Stripping, 17.0d[Hi Pro,1pick=1pad] (Black) (High Productivity Stripper)	1
1051028	Pad, Surf Prep, 17.0d [Mar, 1pick=1pad] (Maroon) (Surface Preparation)	1

50 CM MODEL RECOMMENDED MAINTENANCE ITEMS

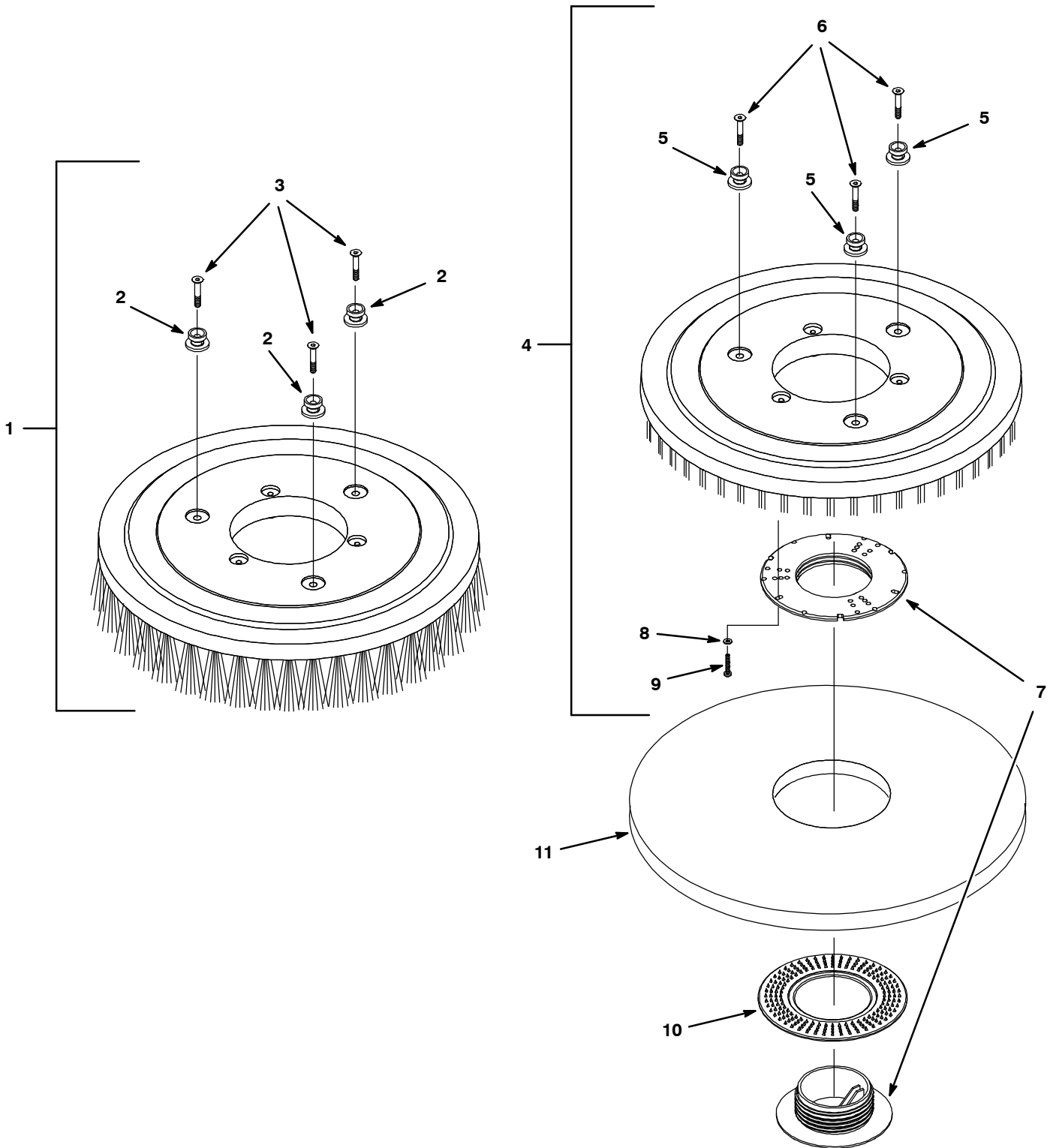
Part No.	Description	Qty.
1016805	Brush Assy, Disk, Scb, 20.0d, Abr (Gray–Abrasive Scrub)	1
1016810	Brush Assy, Disk, Scb, 20.0d, Nyl (White–Soft Nylon Scrub)	1
1016811	Brush Assy, Disk, Scb, 20.0d, Pyp (Black–Polypropylene Scrub)	1
17260	Pad, Polish, 20.0d, White [1pick=1pad] (Polishing)	1
17261	Pad, Buff, 20.0d, Red [1pick=1pad] (Light Scrubbing & Buffing)	1
17262	Pad, Scb, 20.0d, Blu [1pick=1pad] (Medium Scrubbing)	1
17263	Pad, Stripping, 20.0d, Brown[1pick=1pad] (Deep Scrubbing & Stripping)	1
370094	Pad, Stripping, 20.0d[Hi Prod,1pick=1pad] (Black) (High Productivity Stripper)	1
1051030	Pad, Surf Prep, 20.0d [Mar, 1pick=1pad] (Maroon) (Surface Preparation)	1

60 CM MODEL RECOMMENDED MAINTENANCE ITEMS

Part No.	Description	Qty.
1063297	Brush Assy, Disk, Scb, 12.0d, 3–Lug, Abr (Gray–Abrasive Scrub)	2
1056306	Brush Assy, Disk, Scb, 12.0d, 3–Lug, Nyl (White–Soft Nylon Scrub)	2
1056313	Brush Assy, Disk, Scb, 12.0d, 3–Lug, Pyp (Black–Polypropylene Scrub)	2
385940	Pad, Polish, 12.0d, White [1pad=1pc] (Polishing)	2
385941	Pad, Buff, 12.0d, Red [1pad=1pc] (Light Scrubbing & Buffing)	2
385942	Pad, Scb, 12.0d, Blu [1pick = 1 Pad] (Blue) (Medium Scrubbing)	2
385943	Pad, Stripping, 12.0d, Brown [1pad=1pc] (Deep Scrubbing & Stripping)	2
1063334	Pad, Stripping, 12.0d [Hi–Prod] Blk (Black) (High Productivity Stripper)	2
1051020	Pad, Surf Prep, 12.0d [Mar, 1pick=1pad] (Maroon) (Surface Preparation)	2

STANDARD PARTS

REPLACEMENT BRUSH AND PAD DRIVER GROUP, 43 CM MODEL

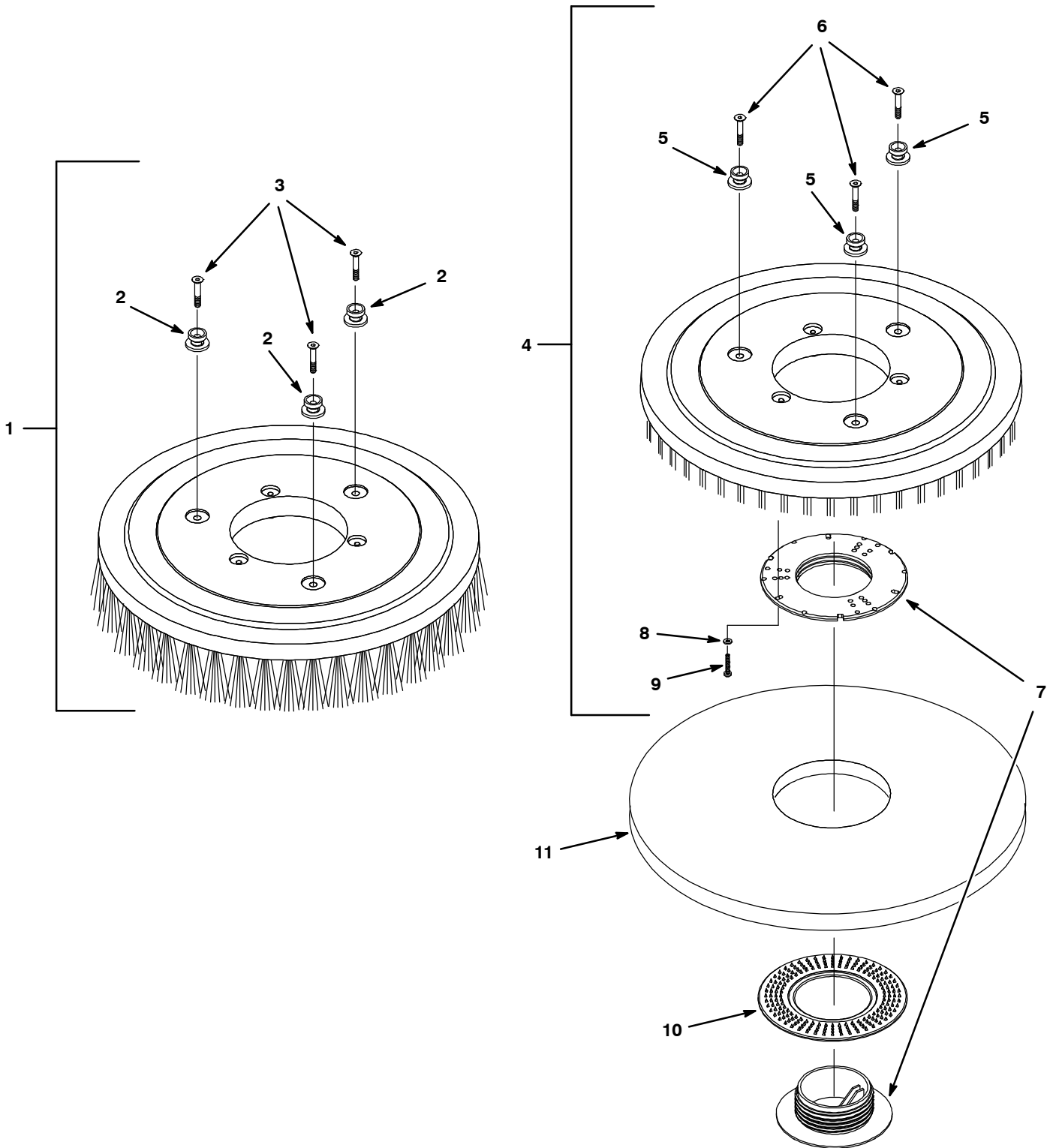


REPLACEMENT BRUSH AND PAD DRIVER GROUP, 43 CM MODEL

Ref.	Part No.	Serial Number	Description	Qty.
1	1016763	(80000000-)● Brush Assy, Disk, Scb, 17.0d, Abr (Gray-Abrasive Scrub)	1
1	1016764	(80000000-)● Brush Assy, Disk, Scb, 17.0d, Nyl (White-Soft Nylon Scrub)	1
1	1016765	(80000000-)● Brush Assy, Disk, Scb, 17.0d, Pyp (Black-Polypropylene Scrub)	1
2	1013018	(80000000-) Stud, Drive, Brush Pad	3
3	1021316	(80000000-) Screw, Flt, Phl, M6 X 1.00 X 35, Ss	3
4	1016813	(80000000-)● Driver Assy, Pad, 43cm/17inch	1
5	1013018	(80000000-) Stud, Drive, Brush Pad	3
6	1021316	(80000000-) Screw, Flt, Phl, M6 X 1.00 X 35, Ss	3
7	32506	(80000000-)● Device, Centering, Rh Pad Retainer	1
8	41579	(80000000-) Washer, Flat, #08, Ss	3
9	04403	(80000000-) Screw, Pan, M4 X 0.7 X 25, Ss, NI	3
10	32505	(80000000-)● Washer, Flat, 3.60b 5.65d .06, Brush Pad	1
11	1050273	(80000000-)● Pad, Polish, 17.0d, White [1pick=1pad] (Polishing)	1
11	1050271	(80000000-)● Pad, Buff, 17.0d, Red [1pick=1pad] (Light Scrubbing & Buffing)	1
11	1050270	(80000000-)● Pad, Scb, 17.0d, Blue [1pick=1pad] (Medium Scrubbing)	1
11	1050267	(80000000-)● Pad, Stripping, 17.0d, Brown[1pick=1pad] (Deep Scrubbing & Stripping)	1
11	1050262	(80000000-)● Pad, Stripping, 17.0d[Hi Pro,1pick=1pad] (Black) (High Productivity Stripper)	1
11	1051028	(80000000-)● Pad, Surf Prep, 17.0d [Mar, 1pick=1pad] (Maroon) (Surface Preparation)	1

● RECOMMENDED STOCK ITEMS

REPLACEMENT BRUSH AND PAD DRIVER GROUP, 50 CM MODEL

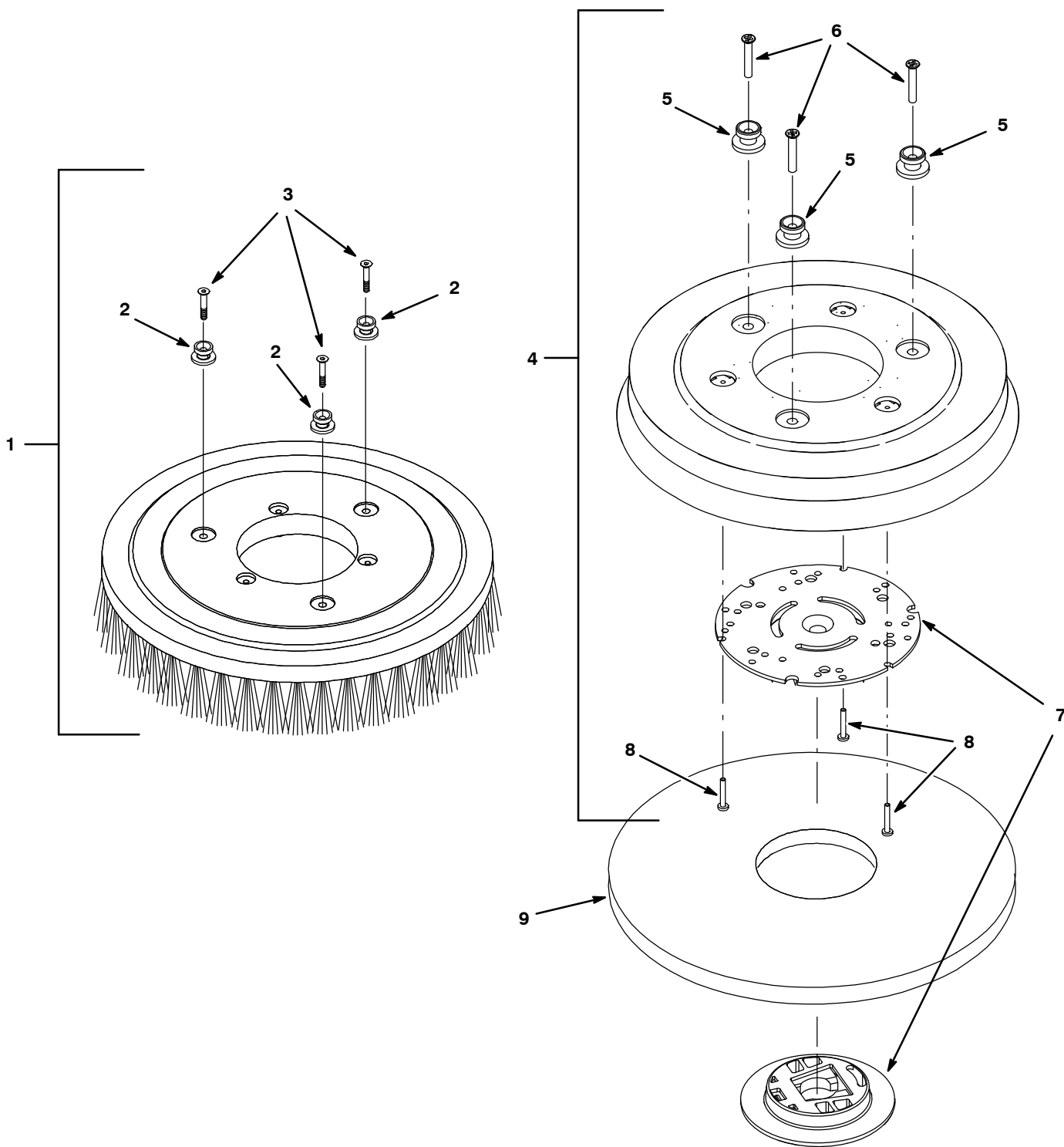


REPLACEMENT BRUSH AND PAD DRIVER GROUP, 50 CM MODEL

Ref.	Part No.	Serial Number	Description	Qty.
1	1016805	(80000000-)● Brush Assy, Disk, Scb, 20.0d, Abr (Gray-Abrasive Scrub)	1
1	1016810	(80000000-)● Brush Assy, Disk, Scb, 20.0d, Nyl (White-Soft Nylon Scrub)	1
1	1016811	(80000000-)● Brush Assy, Disk, Scb, 20.0d, Pyp (Black-Polypropylene Scrub)	1
2	1013018	(80000000-) Stud, Drive, Brush Pad	3
3	1021316	(80000000-) Screw, Flt, Phl, M6 X 1.00 X 35, Ss	3
4	1016814	(80000000-)● Driver Assy, Pad, 50cm/20inch	1
5	1013018	(80000000-) Stud, Drive, Brush Pad	3
6	1021316	(80000000-) Screw, Flt, Phl, M6 X 1.00 X 35, Ss	3
7	32506	(80000000-)● Device, Centering, Rh Pad Retainer	1
8	41579	(80000000-) Washer, Flat, #08, Ss	3
9	04403	(80000000-) Screw, Pan, M4 X 0.7 X 25, Ss, NI	3
10	32505	(80000000-)● Washer, Flat, 3.60b 5.65d .06, Brush Pad	1
11	17260	(80000000-)● Pad, Polish, 20.0d, White [1pick=1pad] (Polishing)	1
11	17261	(80000000-)● Pad, Buff, 20.0d, Red [1pick=1pad] (Light Scrubbing & Buffing)	1
11	17262	(80000000-)● Pad, Scb, 20.0d, Blu [1pick=1pad] (Medium Scrubbing)	1
11	17263	(80000000-)● Pad, Stripping, 20.0d, Brown[1pick=1pad] (Deep Scrubbing & Stripping)	1
11	370094	(80000000-)● Pad, Stripping, 20.0d[Hi Prod,1pick=1pad (Black) (High Productivity Stripper)	1
11	1051030	(80000000-)● Pad, Surf Prep, 20.0d [Mar, 1pick=1pad] (Maroon) (Surface Preparation)	1

● RECOMMENDED STOCK ITEMS

REPLACEMENT BRUSH AND PAD DRIVER GROUP, 60 CM MODEL

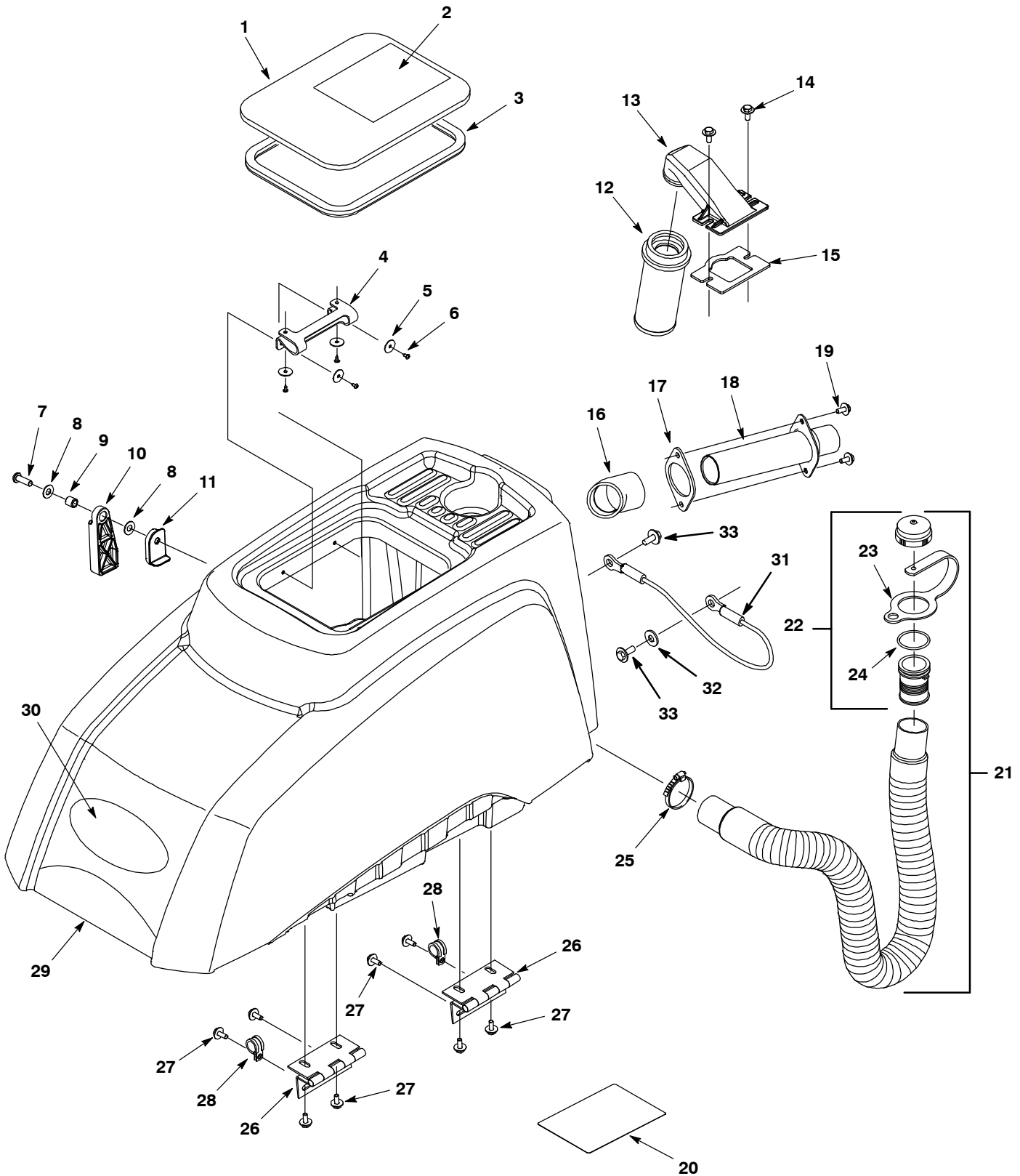


REPLACEMENT BRUSH AND PAD DRIVER GROUP, 60 CM MODEL

Ref.	Part No.	Serial Number	Description	Qty.
1	1063297	(80000000-)● Brush Assy, Disk, Scb, 12.0d, 3-Lug, Abr (Gray-Abrasive Scrub)	2
1	1056306	(80000000-)● Brush Assy, Disk, Scb, 12.0d, 3-Lug, Nyl (White-Soft Nylon Scrub)	2
1	1056313	(80000000-)● Brush Assy, Disk, Scb, 12.0d, 3-Lug, Pyp (Black-Polypropylene Scrub)	2
2	1055558	(80000000-) Mount, Lug, Pad-Driver [T3]	3
3	1021316	(80000000-) Screw, Flt, Phl, M6 X 1.00 X 35, Ss	3
4	1054856	(80000000-)● Driver Assy, Pad, 12", 3-Lug	2
5	1055558	(80000000-) Mount, Lug, Pad-Driver [T3]	3
6	1021316	(80000000-) Screw, Flt, Phl, M6 X 1.00 X 35, Ss	3
7	370095	(80000000-)● Device, Centering, Clip On, TI [Gf Pp]	2
8	04403	(80000000-) Screw, Pan, M4 X 0.7 X 25, Ss, NI	3
9	385940	(80000000-)● Pad, Polish, 12.0d, White [1pad=1pc] (Polishing)	2
9	385941	(80000000-)● Pad, Buff, 12.0d, Red [1pad=1pc] (Light Scrubbing & Buffing)	2
9	385942	(80000000-)● Pad, Scb, 12.0d, Blu [1pick = 1 Pad] (Blue) (Medium Scrubbing)	2
9	385943	(80000000-)● Pad, Stripping, 12.0d, Brown [1pad=1pc] (Deep Scrubbing & Stripping)	2
9	1063334	(80000000-)● Pad, Stripping, 12.0d [Hi-Prod] Blk (Black) (High Productivity Stripper)	2
9	1051020	(80000000-)● Pad, Surf Prep, 12.0d [Mar, 1pick=1pad] (Maroon) (Surface Preparation)	2

● RECOMMENDED STOCK ITEMS

RECOVERY TANK GROUP



RECOVERY TANK GROUP

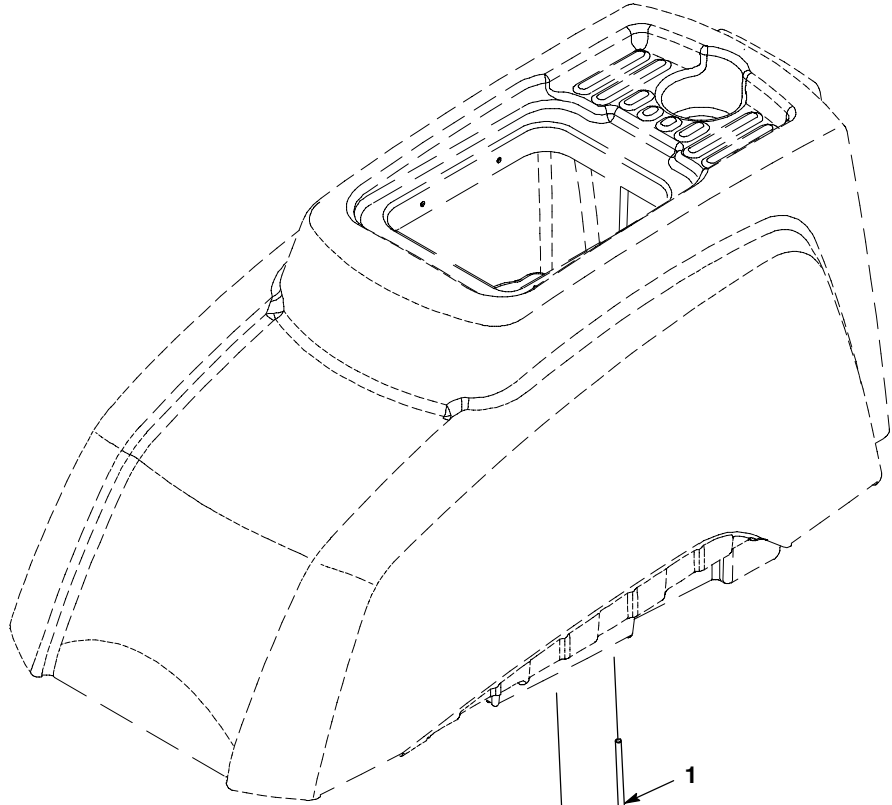
Ref.	Part No.	Serial Number	Description	Qty.
∇	1	9003397	(80000000-) ● Lid Assy, W/ Label [En/Es/Fr/Ch]	1
▲	2	1037349	(80000000-) Label, Warning [Exp,Fre,Shk En/Fr/Es/Ch]	1
▲	3	630367	(80000000-) ● Seal, .50, .50w 33.9l, Adh [D Shape]	1
	4	630056	(80000000-) ● Hinge, Cover, Tank Lid	1
	5	1009168	(80000000-) Washer, Flat, 0.17b 0.75d .04, Ss	4
	6	3701.6	(80000000-) Screw, Pan, #06-32 X 0.38, Phl Ss Shtmtl	4
	7	1039118	(80000000-) Screw, Btn, M8 X 1.25 X 30, Blk	1
	8	140027	(80000000-) Washer, Flat, 0.35b 0.75d .04, Ss	2
	9	222460	(80000000-) Sleeve, P/M, 0.31b 0.50d 0.5l	1
	10	1022399	(80000000-) Support, Tank, Prop, Blk, Nyl	1
	11	1022904	(80000000-) Bracket, Sppt, Stop, Blk, Nyl	1
	12	630052	(80000000-) ● Float, Shut-Off, (2)Ball, 1.75d	1
	13	1011777	(80000000-) Mount, Float, Mold	1
	14	1034731	(80000000-) Screw, Hex, M6 X 1.00 X 16, Sems, Ss	2
	15	1013628	(80000000-) ● Gasket, Mtg, Float, .125th, Neo, Adh	1
	16	1028801	(80000000-) Fitting, Plstc, E45, 1.25	1
	17	1024602	(80000000-) ● Gasket, Adapter, Hose .13, Neo, Adh	1
	18	1021214	(80000000-) Tube, Hose, Adapter, 1.5d	1
	19	1034731	(80000000-) Screw, Hex, M6 X 1.00 X 16, Sems, Ss	2
	20	1014154	(80000000-) Label, Instr, Battery	1
∇	21	1043538	(80000000-) ● Hose Assy, Drain, 1.50id X 29.5l, Blk	1
▲∇	22	1008639	(80000000-) ● Cap, Drain Assy	1
▲▲	23	1019563	(80000000-) ● Strap, Cap, Drain	1
▲▲	24	1008637	(80000000-) ● Seal, Org, 1.48id 1.76od	1
	25	11531	(80000000-) Clamp, Hose, Wormdrive, 1.06-2.00d, .56w	1
	26	1012540	(80000000-) Hinge, 6mmpin 2.5mm Th 73.5mmw 100mml	2
	27	1034731	(80000000-) Screw, Hex, M6 X 1.00 X 16, Sems, Ss	8
	28	1016354	(80000000-) Clamp, Cable, Ss, 0.50d X 0.50w [Insul]	2
	29	1030382	(80000000-) Tank, Recvy, Rm-Tl, Trimmed [T3e/Ss3]	1
	30	120192	(80000000-) Label, Logo, Oval, 07.06l,White[Tennant]	1
	31	140960	(80000000-) Cable, Glv .13d 014.5l .34eye /.34eye	1
	32	01684	(80000000-) Washer, Flat, 0.25 Ss	1
	33	1034731	(80000000-) Screw, Hex, M6 X 1.00 X 16, Sems, Ss	2

∇ ASSEMBLY

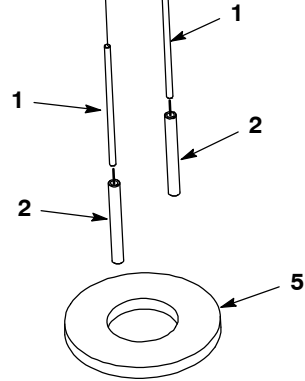
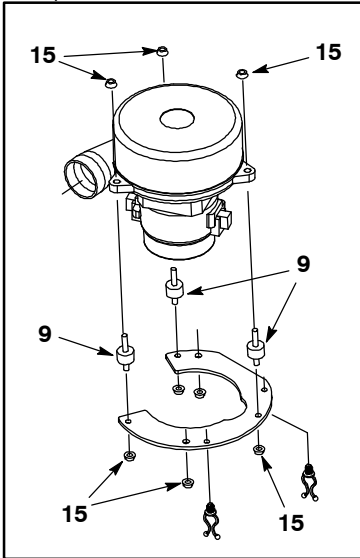
▲ INCLUDED IN ASSEMBLY

● RECOMMENDED STOCK ITEMS

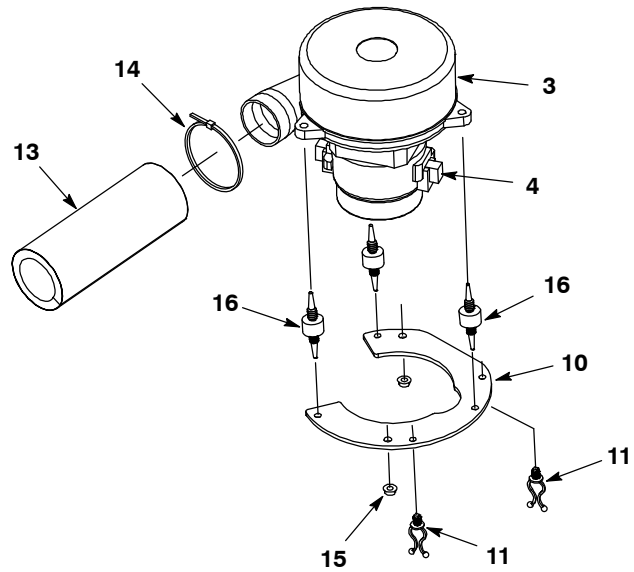
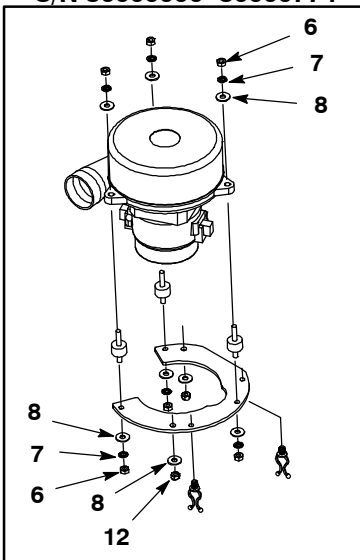
VACUUM MOTOR GROUP



S/N 8000775-80006540



S/N 8000000-8000774



VACUUM MOTOR GROUP

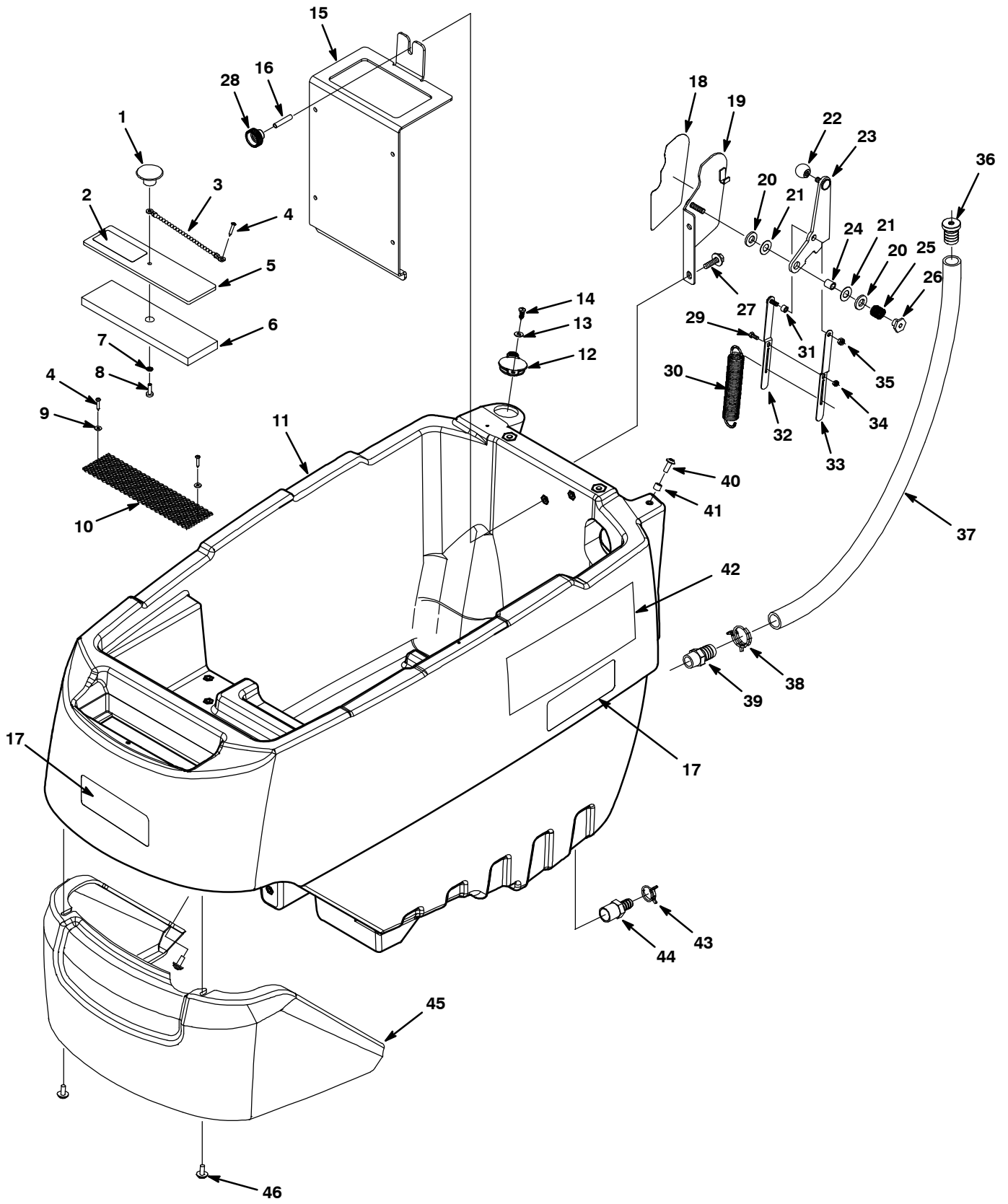
Ref.	Part No.	Serial Number	Description	Qty.
1	1015412	(80000000-) Rod, Thrd, Full, M6x1.0, 140l	2
2	1024575	(80000000-) Tube, 0.43d 0.28b 03.3l, Pl	2
▽	3	1023271	(80000000-)● Fan, Vacuum, 5.7d 2stage 024vdc [Bpt,Pk]	1
▲	4	372883	(80000000-)● Vr, Brush Kit, Motor, Ele	1
5	100038	(80000000-)● Gasket, Vacuum Mtr 5.7 Epdm W/Psa	1
6	07785	(80000000-80000774) Nut, Hex, Std, M6 X 1.0, A2, Ss	6
7	07515	(80000000-80000774) Washer, Lock, Int, 0.25 Ss	6
8	01684	(80000000-80000774) Washer, Flat, 0.25 Ss	8
9	1011093	(80000000-80006540) Isolator, Vib, .75d, M6 Stud Both Ends	3
10	1011962	(80000000-) Bracket, Mtg, Vacuum	1
11	30406	(80000000-)● Clip, Keeper	2
12	08712	(80000000-80000774) Nut, Hex, Lock, M6 X 1.0, Ss, Ni	2
13	1009906	(80000000-)● Muffler, Exhaust, Vacuum, 170l	1
14	130773	(80000000-) Tie, Cable, Nyl, 11.0l, .14w, 3.0 Max. D	1
15	1040381	(80006541-) Nut, Hex, Flng, M6 X 1.0, Ss [Serrated]	2
15	1040381	(80000775-80006540) Nut, Hex, Flng, M6 X 1.0, Ss [Serrated]	8
16	1057777	(80006541-) Isolator, Vib, .75d	3

▽ ASSEMBLY

▲ INCLUDED IN ASSEMBLY

● RECOMMENDED STOCK ITEMS

SOLUTION TANK GROUP

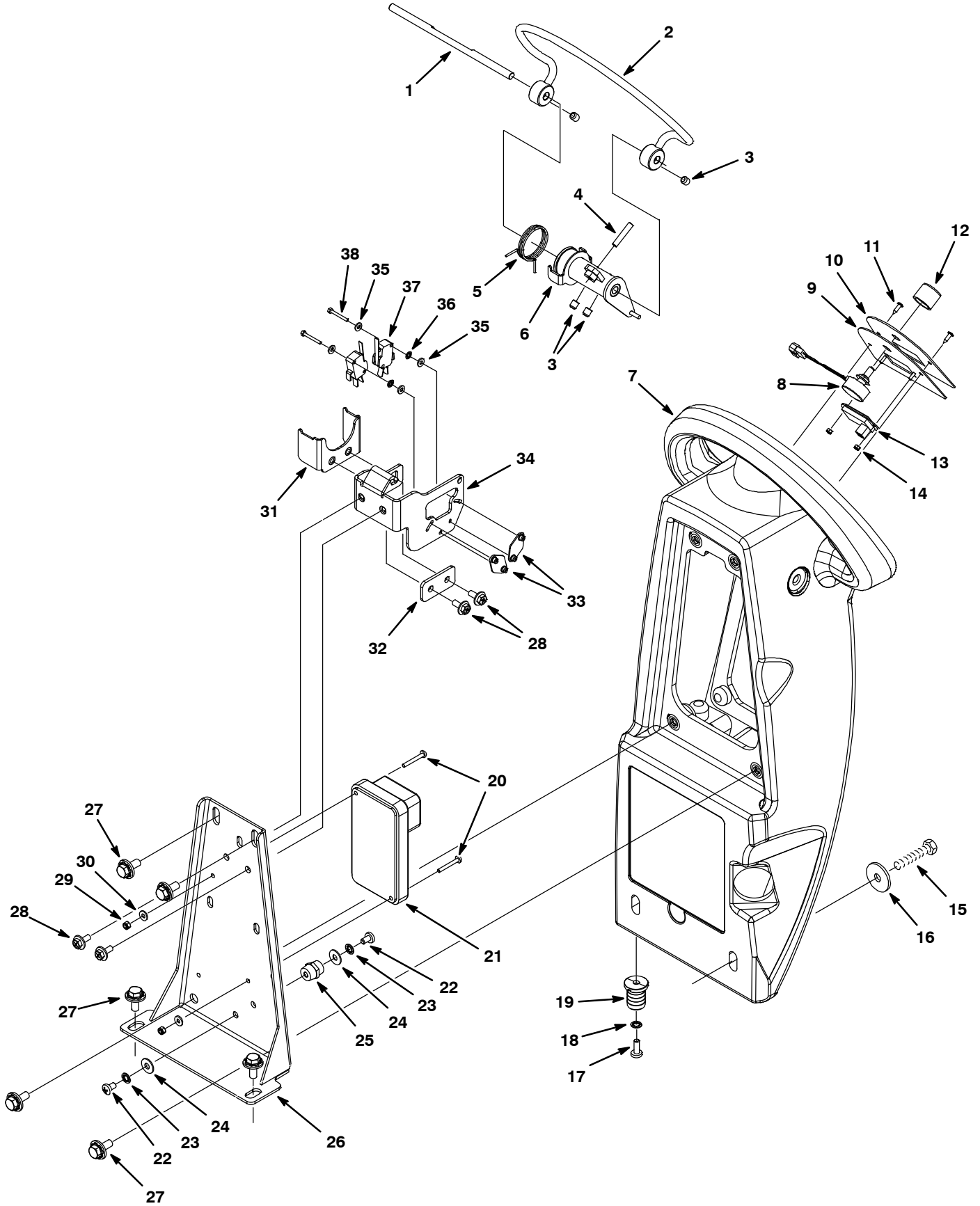


SOLUTION TANK GROUP

Ref.	Part No.	Serial Number	Description	Qty.
1	578301	(80000000-)● Knob 10-32f Fill-Cover	1
2	391451	(80000000-) Label [Attention Fast Users] (Fast Model)	1
2	1050003	(80002319-) Label, User, Attention, Ec-H2o (ec-H2O Model)	1
3	621443	(80000000-)● Chain, Ball, #10, 157mml, Ss	1
4	140826	(80000000-) Screw, Pan, #06-32 X 0.75, Phl Ss Shtmtl	3
5	605061	(80000000-) Cover, Fill, Soltn	1
6	605062	(80000000-)● Gasket, Cover, Soltn Fill	1
7	07514	(80000000-) Washer, Lock, Int, #10, Ss	1
8	140841	(80000000-) Screw, Pan, #10-32 X 0.62, Phl, Ss	1
9	41578	(80000000-) Washer, Flat, #06, Ss	2
10	606146	(80000000-)● Screen, Fltr, Soltn Fill, Nat	1
11	1040040	(80000000-) Tank, Soltn, Rm-Tl, Trimmed [T3e]	1
12	1012965	(80000000-)● Cap, Port, Soltn Fill	1
13	01683	(80000000-) Washer, Flat, #10, Ss	1
14	1018155	(80000000-) Screw, Pan, M5 X 0.8 X16, Ss, Tcut	1
15	1040598	(80000000-) Bracket, Mtg, Chrgr [Ss3]	1
16	1018559	(80000000-) Screw, Set, M6 X 1.00 X 30, Ss [Fltpt]	1
17	1050019	(80002319-) Label, Side, Ec-H2o [Ss3/Ss5/Ss rider] (ec-H2O Model)	3
18	1018389	(80000000-) Label, Lever, Dual Down Press	1
19	1018020	(80000000-) Bracket Wldt, Mtg, Dual Dp Lever	1
20	140127	(80000000-) Bearing, Thrust,0.51b X 1.0 X .12, Brz	2
21	89710	(80000000-) Washer, Flat, 0.51b 1.00d .03, Nyl	2
22	1017156	(80000000-)● Knob, Ball, M8 Insert, 40mmd, Plstc	1
23	1017493	(80000000-) Lever, Lift, Dual Down Press	1
24	1014336	(80000000-) Sleeve, P/M, 08.4b 12.6d 14.5l, PI	1
25	1018756	(80000000-) Spring, Cmpr, 0.70d .080wir 00.7l,PI[Mw]	1
26	1018181	(80000000-) Nut, T, M8 X 1.25 X 0.50od X 0.4l	1
27	1020341	(80000000-) Screw, Hex, M8 X 1.25 X 20, Ss, Sems	2
28	578439	(80000000-) Nut, Thumb, M6 X 1.0, 24mm Od	1
29	09738	(80000000-) Screw, Hex, M5 X 0.8 X 12, Ss	1
30	1031783	(80000000-) Spring, Extn, 1.00od 0.12wir 06.3l	1
31	1017884	(80000000-) Bushing, Sleeve, 6mmb 10mmd 7mml	1
32	1017882	(80000000-) Link Wldt, Spring, Lever	1
33	1017805	(80000000-) Link, Spring, Lever	1
34	09739	(80000000-) Nut, Hex, Lock, M5 X 0.8, NI, Ss	1
35	08708	(80000000-) Nut, Hex, Lock, M6 X 1.0, NI	1
36	1035469	(80000000-) Fitting, Plastic, Bm12 [Sight Tube]	1
37	1029829	(80000000-) Hose, Drain, Soltn Tank	1
38	608915	(80000000-) Clamp, Hose, Wir, 1.03 - 1.09	1
39	78398	(80000000-) Fitting, Plstc, Str, Bm12/Pm08, Nyl	1
40	608322	(80000000-) Screw, Trs, M6 X 1.0 X 16, Phl, Ss	1
41	140154	(80000000-) Sleeve, P/M, 0.25b 0.38d 0.3l, PI	1
42	1030164	(80000000-) Label, Side [T3e] (Standard & ec-H2O Model)	2
42	1030165	(80000000-) Label, Side [T3e W/Fast]	2
43	607776	(80000000-) Clamp, Hose, Wir, .73 - .77, Silver	1
44	1023581	(80000000-) Fitting, Plstc, Str, Bm08/Pm08, Nyl	1
45	1031974	(80000000-) Cover, Head, Rm-Cphg, Trimmed [T3e]	1
46	1034731	(80000000-) Screw, Hex, M6 X 1.00 X 16, Ss, Sems	6

● RECOMMENDED STOCK ITEMS

CONTROL CONSOLE GROUP, DRIVE MODEL



CONTROL CONSOLE GROUP, DRIVE MODEL

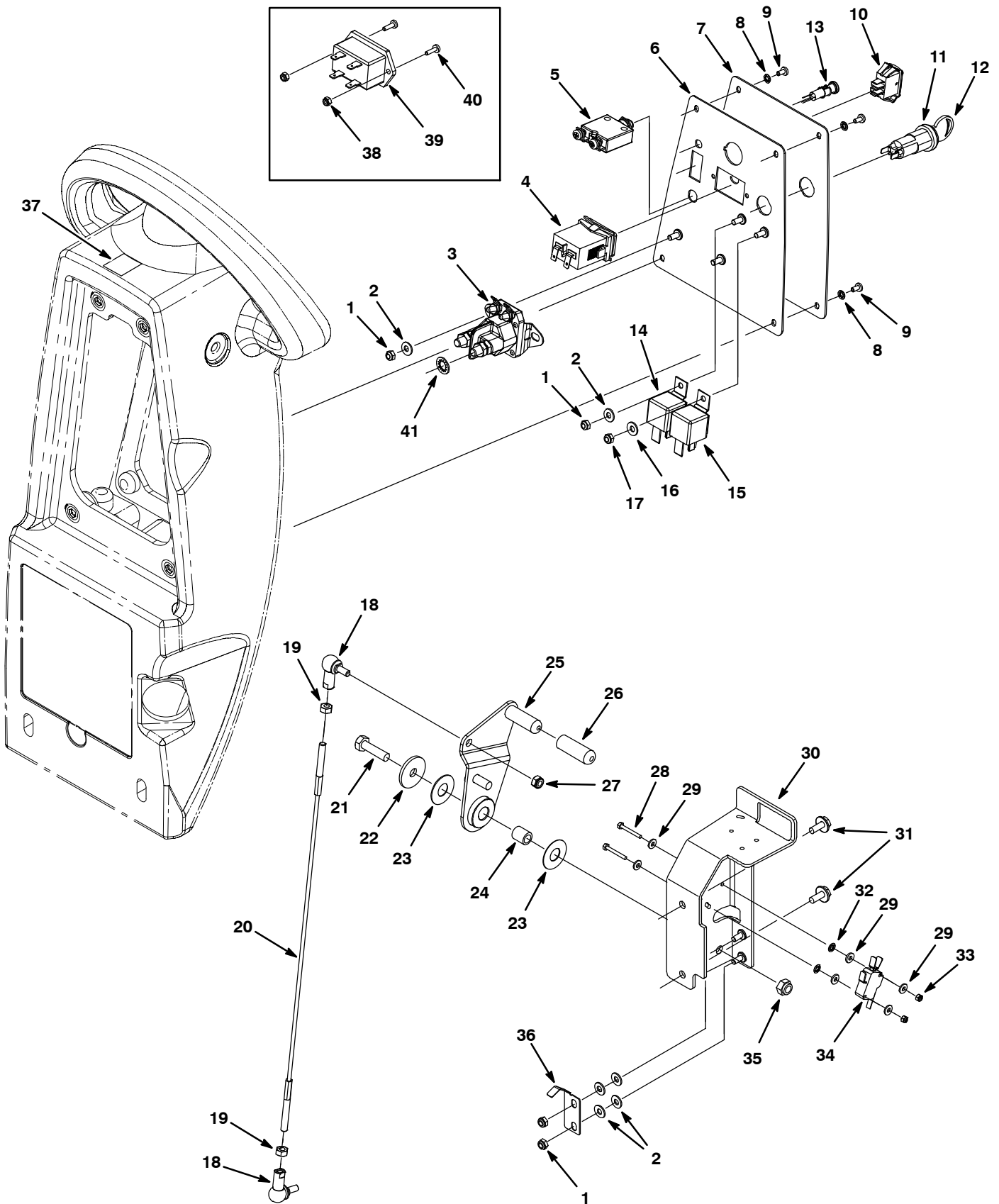
Ref.	Part No.	Serial Number	Description	Qty.
1	1013342	(80000000-) Shaft, Actuator, Forward / Reverse	1
2	1013363	(80000000-) Lever Wldt, Bail, Console	1
3	1015578	(80000000-) Screw, Set, M8 X 1.25 X 8, Ss, NI[Cuppt]	4
4	1018559	(80000000-) Screw, Set, M6 X 1.00 X 30, Ss [Fltpt]	1
5	630088	(80000000-) Spring, Tors, Cntr, .072, Pl, Mw	1
6	1013381	(80000000-) Collar Wldt, Actuator, Console	1
7	1018745	(80000000-) Housing, Cntrl, Afrmkt [T3]	1
8	1042687	(80000000-) Harness, Pot, Wire Assy [45k Ohm]	1
9	1011707	(80000000-) Panel, Cntrl, Upper	1
10	1014157	(80000000-) Label, Opertnl, Upper, Propel [Tt]	1
11	140825	(80000000-) Screw, Pan, Phl, 06 X 0.50, Fmg/Ab, Blk	2
12	606550	(80000000-)● Knob, Rnd, 0.92d 0.76l 0.25b, Plstc	1
13	392894	(80000000-)● Gauge, Discharge, Battery, 36vdc, Rt,Led	1
14	579211	(80000000-) Nut, Hex, Lock, M3 X 0.50, NI, Ss	2
15	09026	(80000000-) Screw, Hex, M8 X 1.25 X 40, Ss	2
16	1016331	(80000000-) Washer, Flat, 0.34b 1.25d .11, Ss	2
17	367770	(80000000-) Screw, Pan, Phl, M6 X 1.00 X 16, Ss	1
18	07515	(80000000-) Washer, Lock, Int, 0.25, Ss	1
19	1035469	(80000000-) Fitting, Plstc, Bm12 [Sight Tube]	1
20	33931	(80000000-) Screw, Pan, Phl, M4 X 0.70 X 30, Ss	2
21	1010905	(80000000-)● Module, Drive	1
22	48732	(80000000-) Screw, Pan, Phl, M6 X 1.00 X 10, Ss	2
23	07515	(80000000-) Washer, Lock, Int, 0.25, Ss	2
24	01684	(80000000-) Washer, Flat, 0.27b 0.69d .05, Ss	2
25	1013523	(80000000-)● Stand-Off, Wir, M6, 18 Hex, 20l, Insul	1
26	1054129	(80000000-) Bracket, Hsng, Cntrl, Alm [T3, Ss3]	1
27	1020341	(80000000-) Screw, Hex, M8 X 1.25 X 20, Ss, Sems	6
28	1034731	(80000000-) Screw, Hex, M6 X 1.00 X 16, Sems, Ss	4
29	33932	(80000000-) Nut, Hex, Lock, M4 X 0.70, NI, Ss	2
30	41579	(80000000-) Washer, Flat, 08, Ss	2
31	1015570	(80000000-) Bracket, Spring, Balancer, Bail	1
32	1015826	(80000000-) Plate, Screw, Bail	1
33	1013705	(80000000-) Plate, Thread, Switch, M3 Nut, 96hr PI	2
34	1013364	(80000000-) Bracket, Switch, Bail	1
35	41578	(80000000-) Washer, Flat, 06, Ss	8
36	02938	(80000000-) Washer, Lock, Int, 08, Ss	4
37	1012568	(80000000-)● Switch, Snap, 10a, Short	2
38	1042062	(80000000-) Screw, Hex, M3 X 0.5 X 25, Ss	4

▽ ASSEMBLY

▲ INCLUDED IN ASSEMBLY

● RECOMMENDED STOCK ITEMS

COMPONENT PANEL GROUP, DRIVE MODEL



COMPONENT PANEL GROUP, DRIVE MODEL

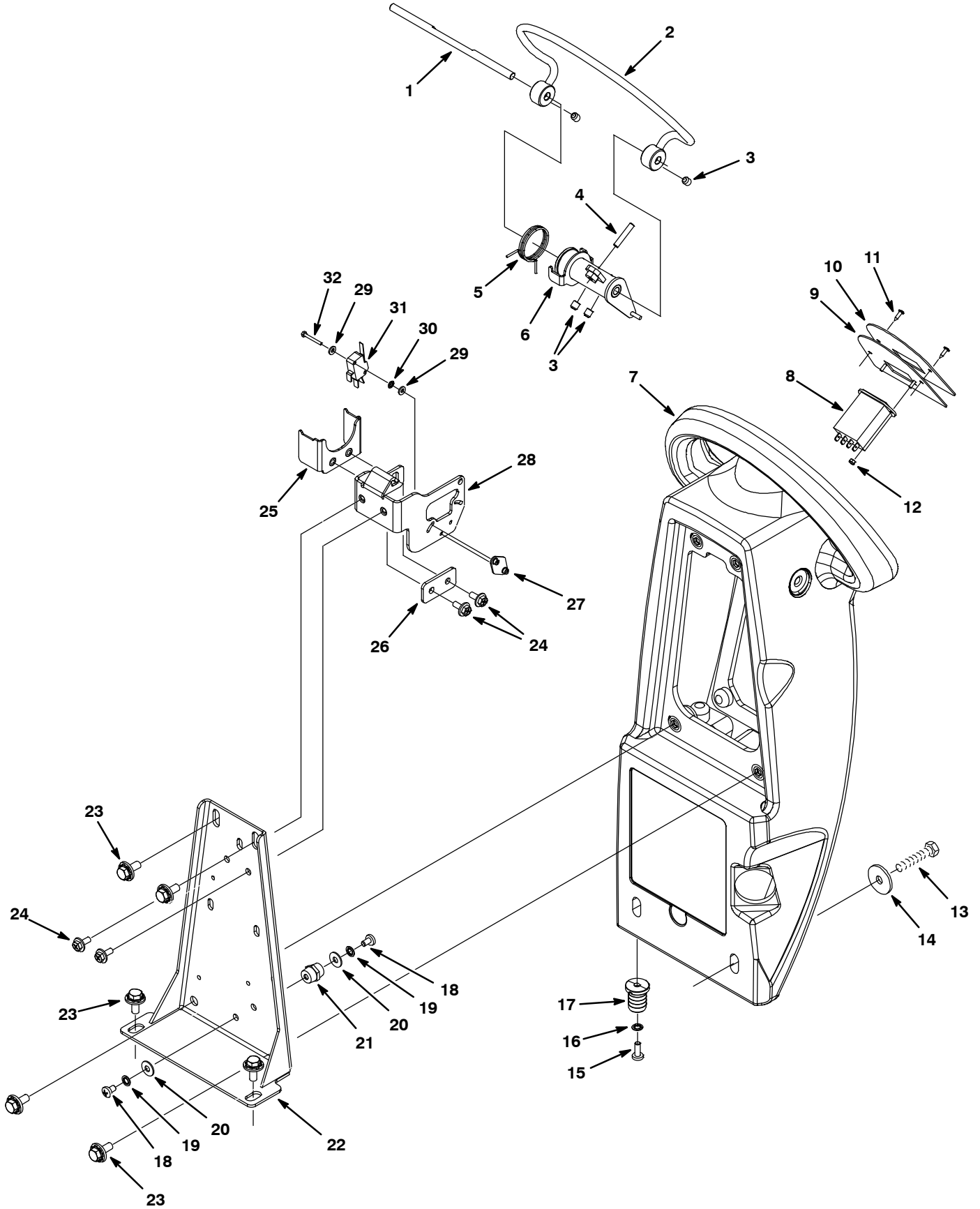
Ref.	Part No.	Serial Number	Description	Qty.	
1	09739	(80000000-) Nut, Hex, Lock, M5 X 0.80, NI, Ss	5	
2	01683	(80000000-) Washer, Flat, 10, Ss	7	
3	1038490	(80000000-)● Relay, 24vdc, 100a, No [Trombetta]	1	
4	1011282	(80002319-)● Gauge, Hourmeter, 12/60 Vdc [Ret Mount]	1	
5	1057902	(80000000-)● Circuitbreaker, 35.0a	1	
6	1012134	(80000000-) Panel, Cntrl, Lower	1	
7	1016628	(80000000-) Label, Panl, Instmt, Lower [T3/T3e/Ss3]	1	
7	1049998	(80002319-) Label, Console, Lower Ec-H2o [T3 Na/Aej]	1	
8	02938	(80000000-) Washer, Lock, Int, 08, Ss	4	
9	49697	(80000000-) Screw, Pan, Phl, M4 X 0.70 X 10, Ss	4	
10	130787	(80000000-) Switch, Rocker, Spdt (Fast & ec-H2O Model)	1	
▽	11	1011402	(80000000-)● Switch, Key	1
▲	12	1017696	(80000000-)● Key Set, Replmt [F/ Keyswitch 1011402]	1
13	1041822	(80002319-)● Light, Panel, Mgt, .312" Dia. (ec-H2O Model)	1	
14	1012216	(80000000-)● Relay, 24vdc, 070a, Spst No, Plug-In	1	
15	1012216	(80000000-)● Relay, 24vdc, 070a, Spst No, Plug-In (Fast & ec-H2O Model)	1	
16	01683	(80000000-) Washer, Flat, 10, Ss (Fast & ec-H2O Model)	1	
17	09739	(80000000-) Nut, Hex, Lock, M5 X 0.80, NI, Ss (Fast & ec-H2O Model)	1	
18	1012747	(80000000-) Balljoint, M6 X 1.0 Fem, M6 X 1.0 Mal	2	
19	07785	(80000000-) Nut, Hex, Std, M6 X 1.00, Ss	2	
20	1013479	(80000000-) Cable, Glv 3.18mmd 0422l M6/ M6	1	
21	09011	(80000000-) Screw, Hex, M8 X 1.25 X 30, Ss	1	
22	1016331	(80000000-) Washer, Flat, 0.34b 1.25d .11, Ss	1	
23	1013397	(80000000-) Washer, Flat, M13 X 30 X 0.8, Nyl	2	
24	1014336	(80000000-) Sleeve, P/M, 8.40b 12.60d 14.5l, PI	1	
25	1013329	(80000000-) Lever Wldt, Sqge	1	
26	1016895	(80000000-)● Cap, Handle, Sqge Lift	1	
27	08712	(80000000-) Nut, Hex, Lock, M6 X 1.00, NI, Ss	1	
28	1042062	(80000000-) Screw, Hex, M3 X 0.5 X 25, Ss	2	
29	41578	(80000000-) Washer, Flat, 06, Ss	6	
30	1012850	(80000000-) Bracket Wldt, Lever, Sqge	1	
31	1034731	(80000000-) Screw, Hex, M6 X 1.00 X 16, Sems, Ss	2	
32	02938	(80000000-) Washer, Lock, Int, 08, Ss	2	
33	579211	(80000000-) Nut, Hex, Lock, M3 X 0.50, NI, Ss	2	
34	1012568	(80000000-)● Switch, Snap, 10a, Short	1	
35	08713	(80000000-) Nut, Hex, Lock, M8 X 1.25, NI, Ss	1	
36	1015459	(80000000-) Spring, Lever, Sqge	1	
37	1016572	(80000000-) Label, Dir	1	
38	579211	(80000000-80002318)) Nut, Hex, Lock, M3 X 0.50, Ss	2	
39	1014572	(80000000-80002318))● Gauge, Hourmeter, 14-48vdc, Lcd, Rt,.1hr	1	
40	06920	(80000000-80002318)) Screw, Pan, M3 X 0.50 X 10, 4.8	2	
41	43952	(80000000-) Washer, Lock, Int, 0.31, Ss	1	

▽ ASSEMBLY

▲ INCLUDED IN ASSEMBLY

● RECOMMENDED STOCK ITEMS

CONTROL CONSOLE GROUP, BRUSH ASSIST MODEL



CONTROL CONSOLE GROUP, BRUSH ASSIST MODEL

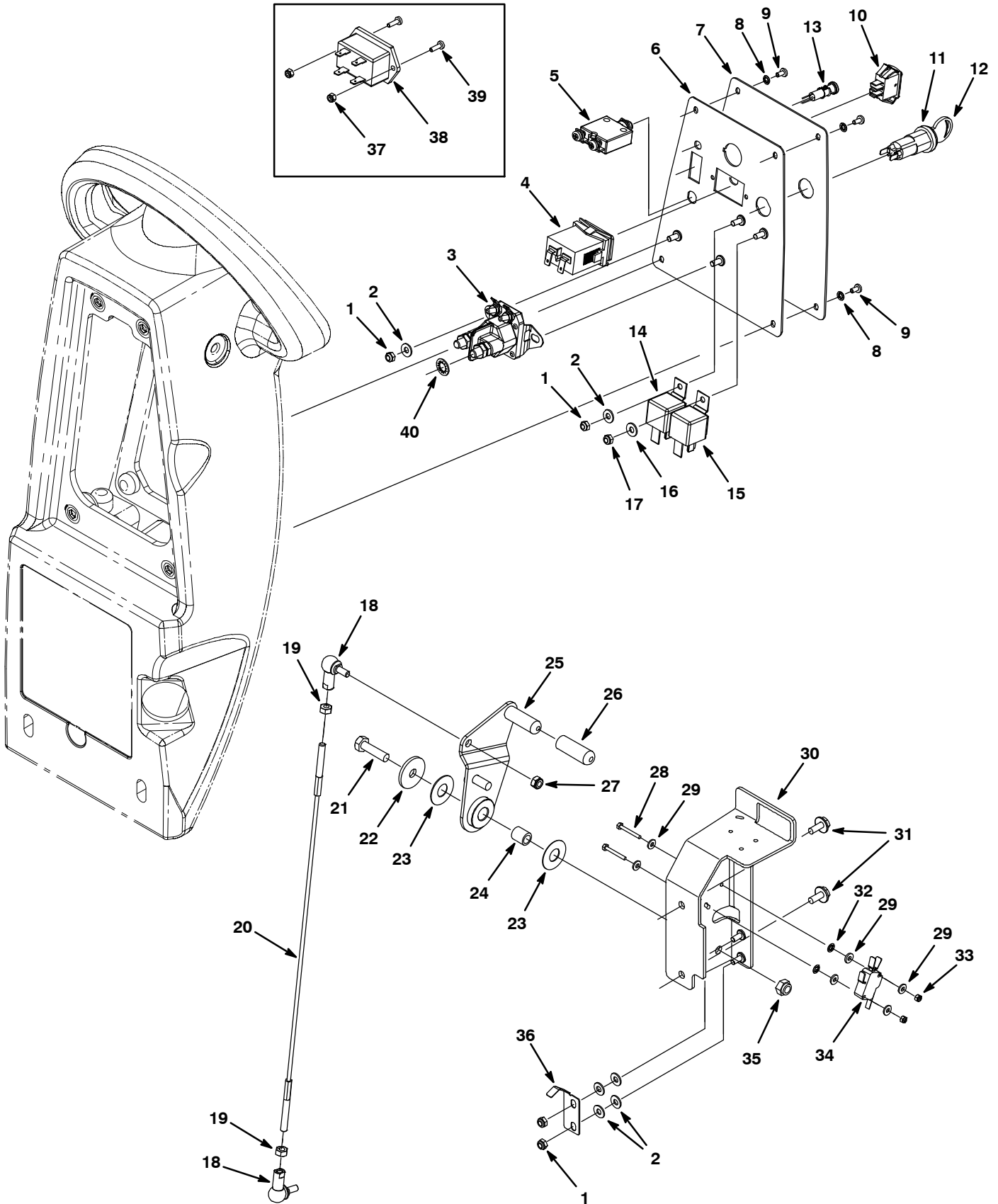
Ref.	Part No.	Serial Number	Description	Qty.
1	1013342	(80000000-) Shaft, Actuator, Forward / Reverse	1
2	1013363	(80000000-) Lever Wldt, Bail, Console	1
3	1015578	(80000000-) Screw, Set, M8 X 1.25 X 8, Ss, NI[Cuppt]	4
4	1018559	(80000000-) Screw, Set, M6 X 1.00 X 30, Ss [Fltpt]	1
5	630088	(80000000-) Spring, Tors, Cntr, .072, Pl, Mw	1
6	1013381	(80000000-) Collar Wldt, Actuator, Console	1
7	1018745	(80000000-) Housing, Cntrl, Afrmkt [T3]	1
8	1057627	(80000000-)● Indicator, Battery, 24vdc, 1.73volt/Cell	1
9	1011707	(80000000-) Panel, Cntrl, Upper	1
10	1016755	(80000000-) Label, Opertnl, Upper, Brush Assist	1
11	140825	(80000000-) Screw, Pan, Phl, 06 X 0.50, Fmg/Ab, Blk	2
12	579211	(80000000-) Nut, Hex, Lock, M3 X 0.50, NI, Ss	2
13	09026	(80000000-) Screw, Hex, M8 X 1.25 X 40, Ss	2
14	1016331	(80000000-) Washer, Flat, 0.34b 1.25d .11, Ss	2
15	367770	(80000000-) Screw, Pan, Phl, M6 X 1.00 X 16, Ss	1
16	07515	(80000000-) Washer, Lock, Int, 0.25, Ss	1
17	1035469	(80000000-) Fitting, Plstc, Bm12 [Sight Tube]	1
18	48732	(80000000-) Screw, Pan, Phl, M6 X 1.00 X 10, Ss	2
19	07515	(80000000-) Washer, Lock, Int, 0.25, Ss	2
20	01684	(80000000-) Washer, Flat, 0.27b 0.69d .05, Ss	2
21	1013523	(80000000-)● Stand-Off, Wir, M6, 18 Hex, 20l, Insul	1
22	1054129	(80000000-) Bracket, Hsng, Cntrl, Alm [T3, Ss3]	1
23	1020341	(80000000-) Screw, Hex, M8 X 1.25 X 20, Ss, Sems	6
24	1034731	(80000000-) Screw, Hex, M6 X 1.00 X 16, Sems, Ss	4
25	1015570	(80000000-) Bracket, Spring, Balancer, Bail	1
26	1015826	(80000000-) Plate, Screw, Bail	1
27	1013705	(80000000-) Plate, Thread, Switch, M3 Nut, 96hr PI	1
28	1013364	(80000000-) Bracket, Switch, Bail	1
29	41578	(80000000-) Washer, Flat, 06, Ss	4
30	02938	(80000000-) Washer, Lock, Int, 08, Ss	2
31	1012568	(80000000-) Switch, Snap, 10a, Short	1
32	1042062	(80000000-)● Screw, Hex, M3 X 0.5 X 25, Ss	2

▽ ASSEMBLY

▲ INCLUDED IN ASSEMBLY

● RECOMMENDED STOCK ITEMS

COMPONENT PANEL GROUP, BRUSH ASSIST MODEL



COMPONENT PANEL GROUP, BRUSH ASSIST MODEL

Ref.	Part No.	Serial Number	Description	Qty.	
1	09739	(80000000-) Nut, Hex, Lock, M5 X 0.80, NI, Ss	5	
2	01683	(80000000-) Washer, Flat, 10, Ss	7	
3	1038490	(80000000-)● Relay, 24vdc, 100a, No [Trombetta]	1	
4	1011282	(80002319-)● Gauge, Hourmeter, 12/60 Vdc [Ret Mount]	1	
5	1057902	(80000000-)● Circuitbreaker, 35.0a	1	
6	1012134	(80000000-) Panel, Cntrl, Lower	1	
7	1016628	(80000000-) Label, Panl, Instmt, Lower [T3/T3e/Ss3]	1	
7	1049998	(80002319-) Label, Console, Lower Ec-H2o [T3 Na/Aej]	1	
8	02938	(80000000-) Washer, Lock, Int, 08, Ss	4	
9	49697	(80000000-) Screw, Pan, Phl, M4 X 0.70 X 10, Ss	4	
10	130787	(80000000-)● Switch, Rocker, Spdt (Fast & ec-H2O Model)	1	
▽	11	1011402	(80000000-)● Switch, Key	1
▲	12	1017696	(80000000-)● Key Set, Replmt [F/ Keyswitch 1011402]	1
13	1041822	(80002319-)● Light, Panel, Mgt, .312" Dia. (ec-H2O Model)	1	
14	1012216	(80000000-)● Relay, 24vdc, 070a, Spst No, Plug-In	1	
15	1012216	(80000000-)● Relay, 24vdc, 070a, Spst No, Plug-In (Fast & ec-H2O Model)	1	
16	01683	(80000000-) Washer, Flat, 10, Ss (Fast & ec-H2O Model)	1	
17	09739	(80000000-) Nut, Hex, Lock, M5 X 0.80, NI, Ss (Fast & ec-H2O Model)	1	
18	1012747	(80000000-) Balljoint, M6 X 1.0 Fem, M6 X 1.0 Mal	2	
19	07785	(80000000-) Nut, Hex, Std, M6 X 1.00, Ss	2	
20	1013479	(80000000-) Cable, Glv 3.18mmd 0422l M6/ M6	1	
21	09011	(80000000-) Screw, Hex, M8 X 1.25 X 30, Ss	1	
22	1016331	(80000000-) Washer, Flat, 0.34b 1.25d .11, Ss	1	
23	1013397	(80000000-) Washer, Flat, M13 X 30 X 0.8, Nyl	2	
24	1014336	(80000000-) Sleeve, P/M, 8.40b 12.60d 14.5l, PI	1	
25	1013329	(80000000-) Lever Wldt, Sqge	1	
26	1016895	(80000000-)● Cap, Handle, Sqge Lift	1	
27	08712	(80000000-) Nut, Hex, Lock, M6 X 1.00, NI, Ss	1	
28	1042062	(80000000-) Screw, Hex, M3 X 0.5 X 25, Ss	2	
29	41578	(80000000-) Washer, Flat, 06, Ss	6	
30	1012850	(80000000-) Bracket Wldt, Lever, Sqge	1	
31	1034731	(80000000-) Screw, Hex, M6 X 1.00 X 16, Sems, Ss	2	
32	02938	(80000000-) Washer, Lock, Int, 08, Ss	2	
33	579211	(80000000-) Nut, Hex, Lock, M3 X 0.50, NI, Ss	2	
34	1012568	(80000000-)● Switch, Snap, 10a, Short	1	
35	08713	(80000000-) Nut, Hex, Lock, M8 X 1.25, NI, Ss	1	
36	1015459	(80000000-) Spring, Lever, Sqge	1	
37	579211	(80000000-80002318)) Nut, Hex, Lock, M3 X 0.50, Ss	2	
38	1014572	(80000000-80002318))● Gauge, Hourmeter, 14-48vdc, Lcd, Rt,.1hr	1	
39	06920	(80000000-80002318)) Screw, Pan, M3 X 0.50 X 10, 4.8	2	
40	43952	(80000000-) Washer, Lock, Int, 0.31, Ss	1	

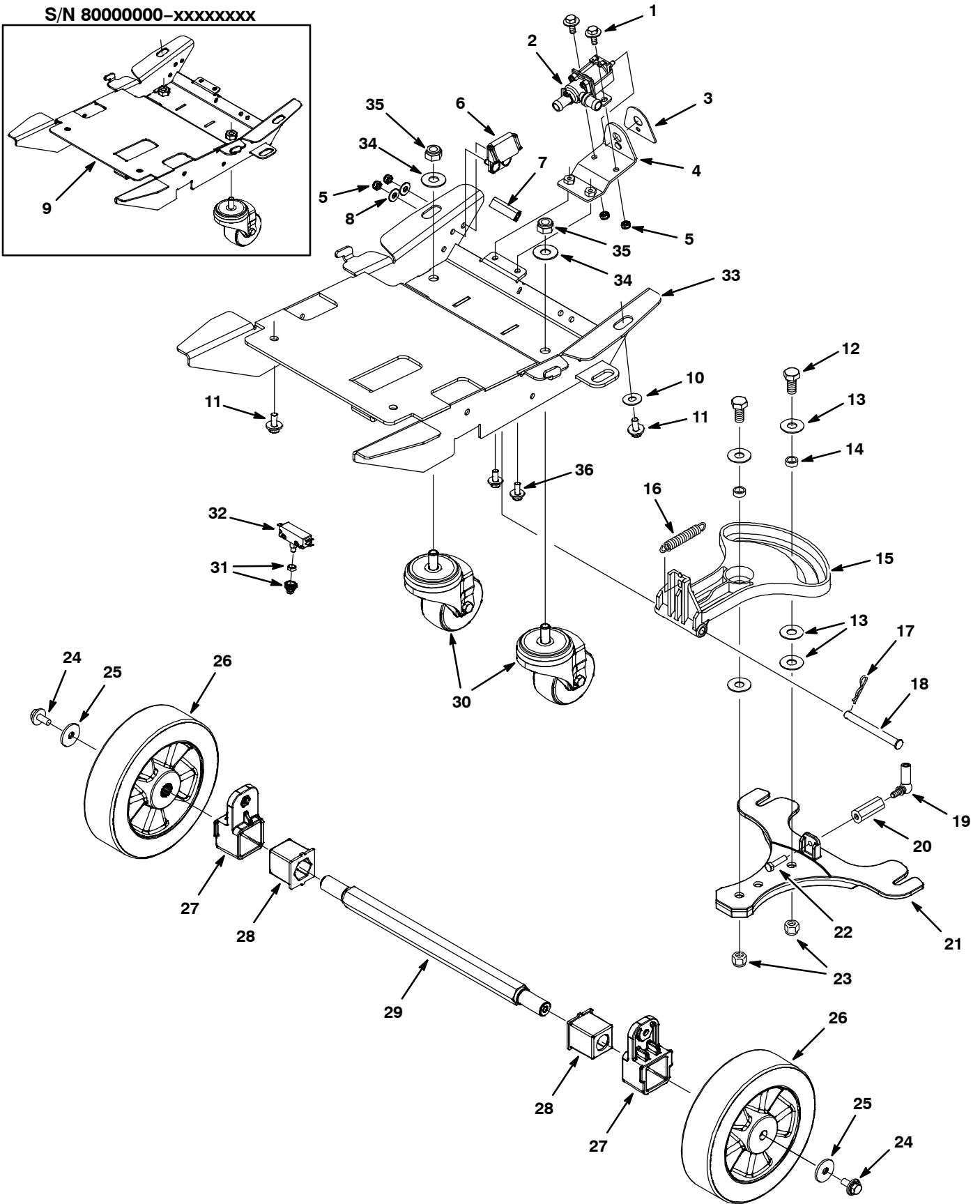
▽ ASSEMBLY

▲ INCLUDED IN ASSEMBLY

● RECOMMENDED STOCK ITEMS

WHEEL GROUP, BRUSH ASSIST MODEL

S/N 8000000-xxxxxxx



WHEEL GROUP, BRUSH ASSIST MODEL

Ref.	Part No.	Serial Number	Description	Qty.
	1	1034731	(80000000-) Screw, Hex, M6 X 1.00 X 16, Ss, Sems	2
▽	2	1016595	(80000000-)● Valve, 1/4-20 [Liq Dispensing]	1
▲	614265	(80000000-)● Valve Kit, Water [Viton Diaphragm]	1	
	3	1014156	(80000000-) Label, Opertnl, Lower, Soltn Flow	1
	4	1037292	(80000000-) Bracket, Mtg, Valve, Soltn	1
	5	08712	(80000000-) Nut, Hex, Lock, M6 X 1.0, Ss, NI	4
	6	1013946	(80000000-) Bracket, Locking, Pedal, Foot Ylw	1
	7	1034551	(80000000-) Trim, Plstc, Edge, .12 X .56 X 1.75	1
	8	01684	(80000000-) Washer, Flat, 0.27b 0.69d .05, Ss	2
	9	1023428	(80000000-xxxxxxx) Frame Wldt, Mach, Blk (Repld By #33, 34, & 35)	1
	10	1016331	(80000000-) Washer, Flat, 0.34b 1.25d .11, Ss	2
	11	1020341	(80000000-) Screw, Hex, M8 X 1.25 X 20, Ss, Sems	4
	12	12309	(80000000-) Screw, Hex, M12 X 1.75 X 30, Ss	2
	13	140045	(80000000-) Washer, Flat, 0.51b 1.25d .06, Ss	5
	14	1013662	(80000000-) Bushing, Sleeve, 12mm 16mm 6.5mml, Pm Yw	2
	15	1023389	(80000000-) Bracket, Sqge, Lift, Mold Blk, Nyl	1
	16	1008721	(80000000-) Spring, Extn, 0.75od 0.09wir 03.5l	1
	17	44906	(80000000-) Pin, Cotter, Hair, 0.69d .092 Wir	1
	18	1013610	(80000000-) Pin, Clevis, 10mmd X 100mml	1
	19	1012747	(80000000-) Balljoint, M6 X 1.0 Fem, M6 X 1.0 Mal	1
	20	1002078	(80000000-) Spacer, 0.50hex X 1.25l, M6 Thread	1
	21	1026265	(80000000-) Bracket, Mtg, Sqge, Cast, Alm	1
	22	1034741	(80000000-) Screw, Hex, .31-18 X 1.25, Ss, NI	1
	23	09741	(80000000-) Nut, Hex, Lock, M12 X 1.75, NI, Ss	2
	24	1020341	(80000000-) Screw, Hex, M8 X 1.25 X 20, Ss, Sems	2
	25	1016331	(80000000-) Washer, Flat, 0.34b 1.25d .11, Ss	2
	26	1013248	(80000000-)● Wheel, Scrbr, 198.00 Mm With Bearing	2
	27	1028292	(80000000-) Adapter, Mtg, Axle, Alm	2
	28	1028381	(80000000-) Grommet, Axle	2
	29	1028382	(80000000-)● Axle, Wheel, Hex, Clr Zn	1
	30	1019008	(80000000-)● Caster, Swivel, 80mmd, M12 X 25 Clr PI	2
	31	1035711	(80000000-)● Boot, Switch, Hex Nut, .38-32 Thd	1
	32	606292	(80000000-)● Switch, Push, Actuator, 20a	1
	33	1060894	(xxxxxxx-) Frame Wldt, Main, 4mm [T3, Ss3/T3e]	1
	34	140045	(xxxxxxx-) Washer, Flat, 0.51b 1.25d .06, Ss	2
	35	09741	(xxxxxxx-) Nut, Hex, Lock, M12 X 1.75, NI, Ss	2
	36	08716	(xxxxxxx-) Screw, Hex, M6 X 1.00 X 20, SS	2

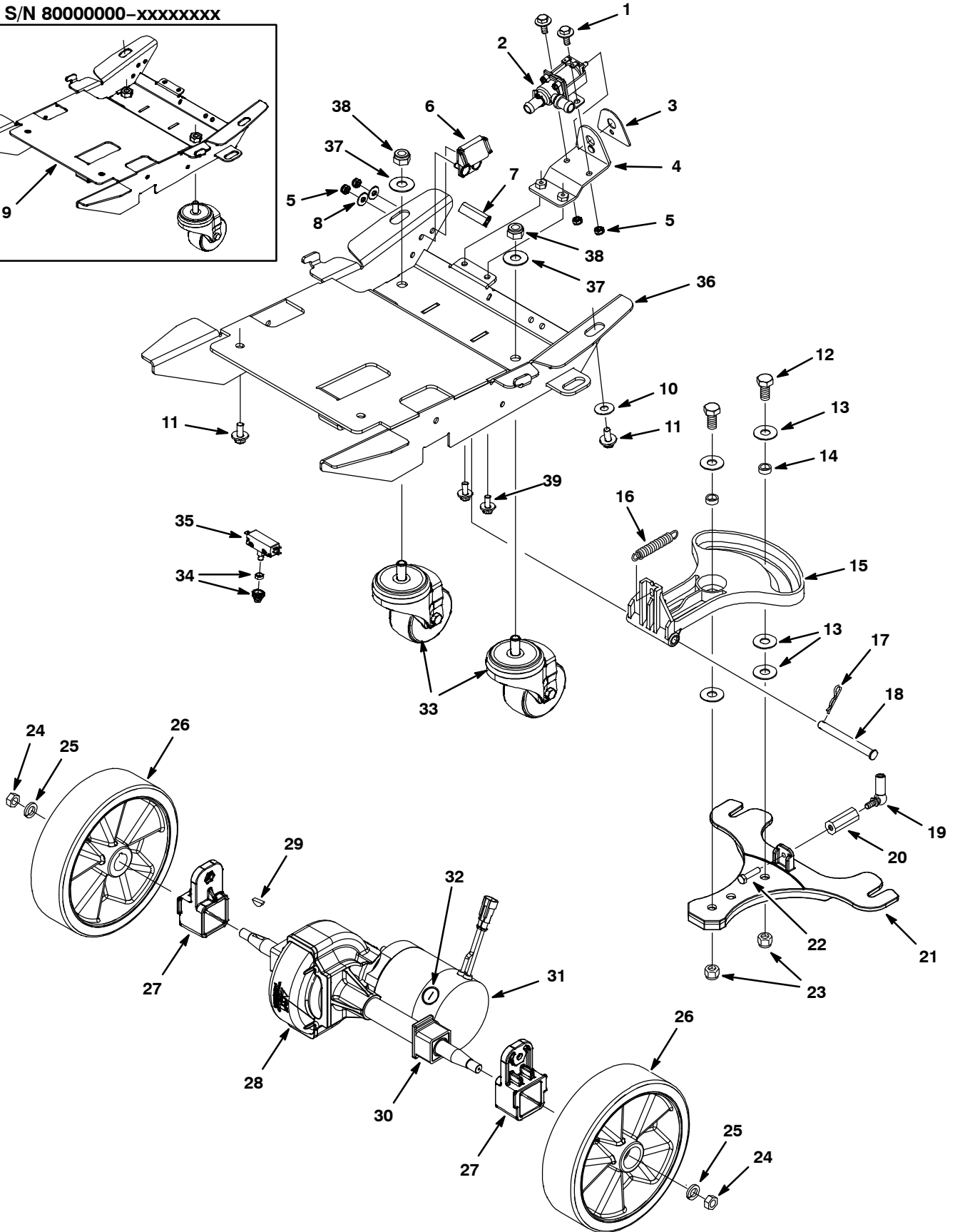
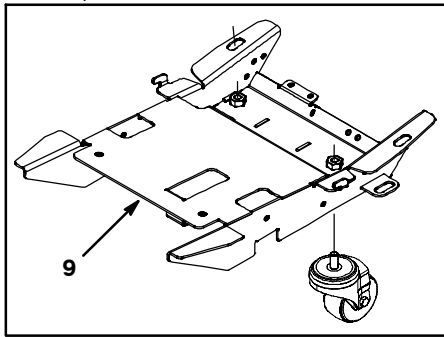
▽ ASSEMBLY

▲ INCLUDED IN ASSEMBLY

● RECOMMENDED STOCK ITEMS

WHEEL GROUP, DRIVE MODEL (S/N 80001782-)

S/N 80000000-xxxxxxx



WHEEL GROUP, DRIVE MODEL (S/N 80001782-)

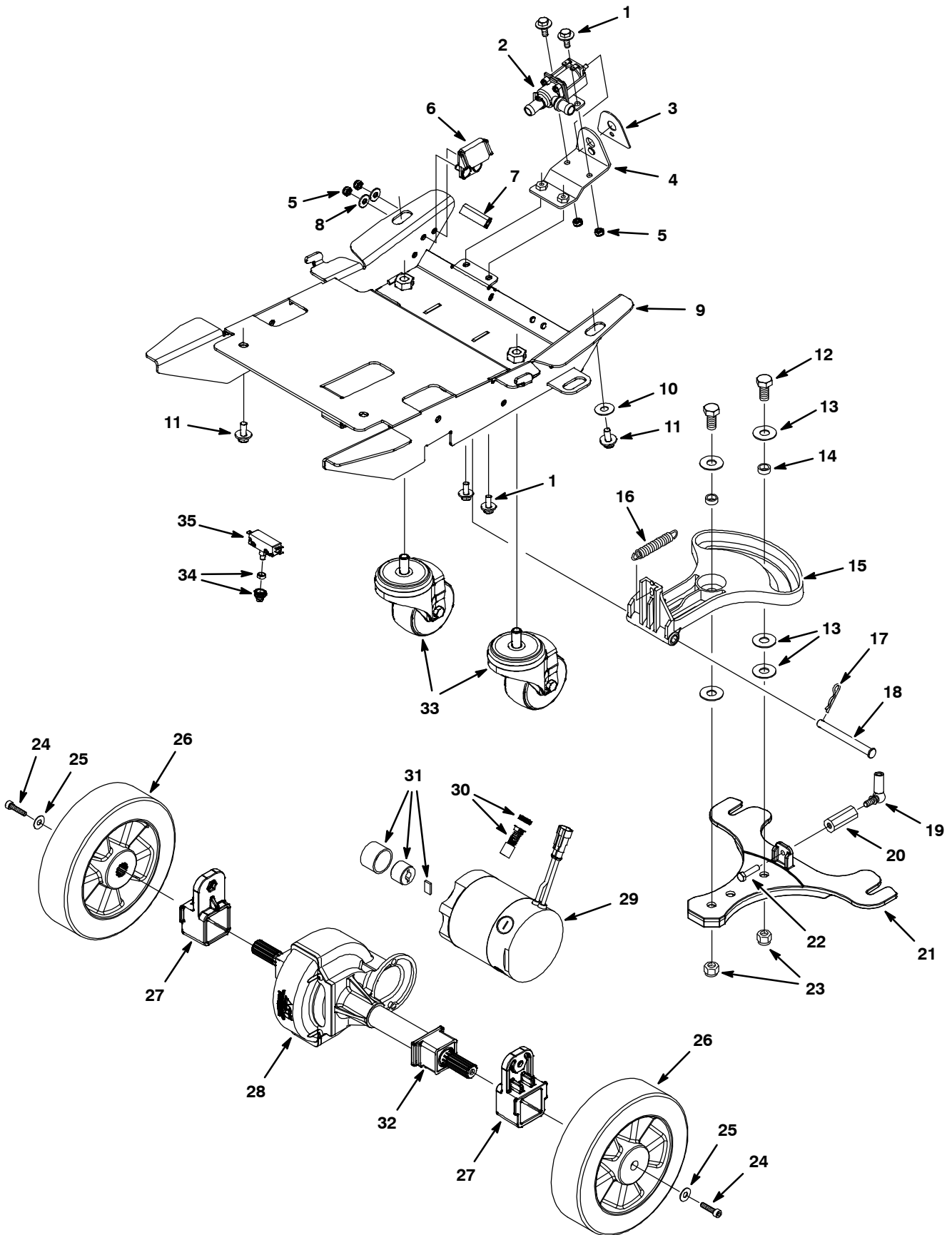
Ref.	Part No.	Serial Number	Description	Qty.
	1	1034731	(80000000-) Screw, Hex, M6 X 1.00 X 16, Ss, Sems	2
▽	2	1016595	(80000000-) ● Valve, 1/4-20 [Liq Dispensing]	1
▲	614265	(80000000-) ● Valve Kit, Water [Viton Diaphragm]	1	
	3	1014156	(80000000-) Label, Opertnl, Lower, Soltn Flow	1
	4	1037292	(80000000-) Bracket, Mtg, Valve, Soltn	1
	5	08712	(80000000-) Nut, Hex, Lock, M6 X 1.0, Ss, NI	4
	6	1013946	(80000000-) Bracket, Locking, Pedal, Foot Ylw	1
	7	1034551	(80000000-) Trim, Plstc, Edge, .12 X .56 X 1.75	1
	8	01684	(80000000-) Washer, Flat, 0.25 Ss	2
	9	1023428	(80000000-xxxxxxx) Frame Wldt, Mach, Blk (Repld By #36, 37, & 38)	1
	10	1016331	(80000000-) Washer, Flat, 0.34b 1.25d .11, Ss	2
	11	1020341	(80000000-) Screw, Hex, M8 X 1.25 X 20, Ss, Sems	4
	12	12309	(80000000-) Screw, Hex, M12 X 1.75 X 30, Ss	2
	13	140045	(80000000-) Washer, Flat, 0.51b 1.25d .06, Ss	5
	14	1013662	(80000000-) Bushing, Sleeve, 12mm 16mm 6.5mml, Pm Yw	2
	15	1023389	(80000000-) Bracket, Sqge, Lift, Mold Blk, Nyl	1
	16	1008721	(80000000-) Spring, Extn, 0.75od 0.09wir 03.5l	1
	17	44906	(80000000-) Pin, Cotter, Hair, 0.69d .092 Wir	1
	18	1013610	(80000000-) Pin, Clevis, 10mmd X 100mml	1
	19	1012747	(80000000-) ● Balljoint, M6 X 1.0 Fem, M6 X 1.0 Mal	1
	20	1002078	(80000000-) Spacer, 0.50hex X 1.25l, M6 Thread	1
	21	1026265	(80000000-) Bracket, Mtg, Sqge, Cast, Alm	1
	22	1034741	(80000000-) Screw, Hex, .31-18 X 1.25, Ss, NI	1
	23	09741	(80000000-) Nut, Hex, Lock, M12 X 1.75, NI, Ss	2
	24	07788	(80001782-) Nut, Hex, Std, M12 X 1.75, Ss	2
	25	140024	(80001782-) Washer, Lock, Split, 0.50, Ss	2
	26	1039655	(80001782-) ● Wheel, Scrbr, 198.00mm, W/ Taper [T3]	2
	27	1028292	(80000000-) Adapter, Mtg, Axle, Alm	2
▽	28	1039475	(80001782-) ● Transaxle, Ele, 24vdc, 112rpm, Pkrd,Dfma	1
▲	1017782	(80000000-) ● Coupling Kit, Transaxle, Replmt [11057]	1	
▲	29	1021167	(80001782-) Key, Woodruff, 5mm	2
▲	30	612880	(80000000-) ● Sleeve, Transaxle, Replmt	2
▲▽	31	1019916	(80000000-) ● Motor, Transaxle, 24vdc, Replmt	1
▲▲	32	614166	(80000000-) ● Brush Kit, Carbon [Qty 4]	1
	33	1019008	(80000000-) ● Caster, Swivel, 80mmd, M12 X 25 Clr Pl	2
	34	1035711	(80000000-) ● Boot, Switch, Hex Nut, .38-32 Thd	1
	35	606292	(80000000-) ● Switch, Push, Actuator, 20a	1
	36	1060894	(xxxxxxx-) Frame Wldt, Main, 4mm [T3, Ss3/T3e]	1
	37	140045	(xxxxxxx-) Washer, Flat, 0.51b 1.25d .06, Ss	2
	38	09741	(xxxxxxx-) Nut, Hex, Lock, M12 X 1.75, NI, Ss	2
	39	08716	(xxxxxxx-) Screw, Hex, M6 X 1.00 X 20, SS	2
	N/S	130773	(80000000-) Tie, Cable, Nyl, 11.0l, .14w, 3.0 Max. D	4

▽ ASSEMBLY

▲ INCLUDED IN ASSEMBLY

● RECOMMENDED STOCK ITEMS

WHEEL GROUP, DRIVE MODEL (S/N 8000000-80001781)



WHEEL GROUP, DRIVE MODEL (S/N 8000000–80001781)

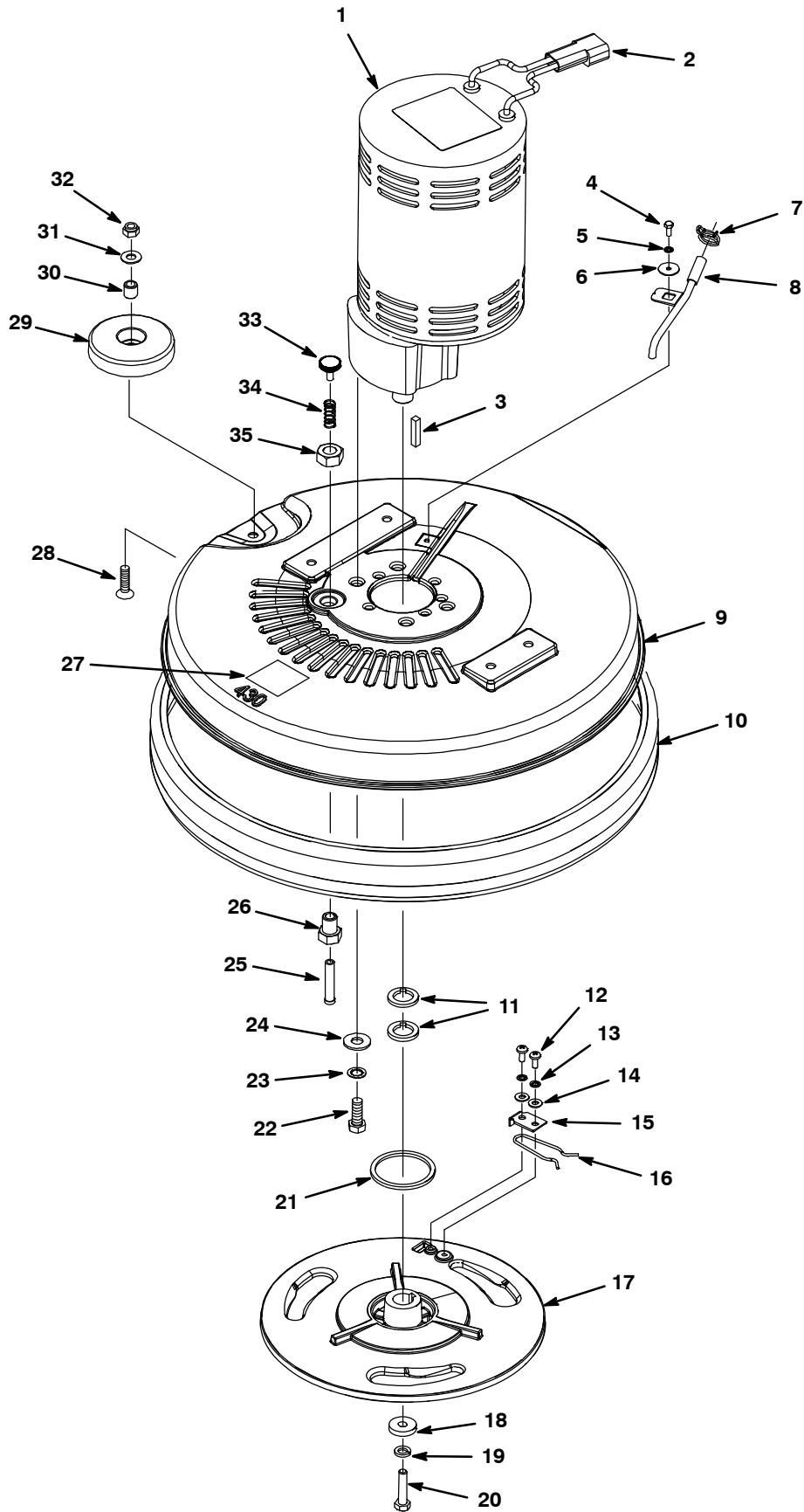
Ref.	Part No.	Serial Number	Description	Qty.
	1	1034731	(80000000–) Screw, Hex, M6 X 1.00 X 16, Ss, Sems	4
▽	2	1016595	(80000000–)● Valve, 1/4–20 [Liq Dispensing]	1
▲	614265	(80000000–)● Valve Kit, Water [Viton Diaphram]	1	
	3	1014156	(80000000–) Label, Opertnl, Lower, Soltn Flow	1
	4	1037292	(80000000–) Bracket, Mtg, Valve, Soltn	1
	5	08712	(80000000–) Nut, Hex, Lock, M6 X 1.0, Ss, NI	4
	6	1013946	(80000000–) Bracket, Locking, Pedal, Foot Ylw	1
	7	1034551	(80000000–) Trim, Plstc, Edge, .12 X .56 X 1.75	1
	8	01684	(80000000–) Washer, Flat, 0.25 Ss	2
	9	1023428	(80000000–) Frame Wldt, Mach, Blk	1
	10	1016331	(80000000–) Washer, Flat, 0.34b 1.25d .11, Ss	2
	11	1020341	(80000000–) Screw, Hex, M8 X 1.25 X 20, Ss, Sems	4
	12	12309	(80000000–) Screw, Hex, M12 X 1.75 X 30, Ss	2
	13	140045	(80000000–) Washer, Flat, 0.51b 1.25d .06, Ss	5
	14	1013662	(80000000–) Bushing, Sleeve, 12mm 16mm 6.5mml, Pm Yw	2
	15	1023389	(80000000–) Bracket, Sqge, Lift, Mold Blk, Nyl	1
	16	1008721	(80000000–) Spring, Extn, 0.75od 0.09wir 03.5l	1
	17	44906	(80000000–) Pin, Cotter, Hair, 0.69d .092 Wir	1
	18	1013610	(80000000–) Pin, Clevis, 10mmd X 100mml	1
	19	1012747	(80000000–)● Balljoint, M6 X 1.0 Fem, M6 X 1.0 Mal	1
	20	1002078	(80000000–) Spacer, 0.50hex X 1.25l, M6 Thread	1
	21	1026265	(80000000–) Bracket, Mtg, Sqge, Cast, Alm	1
	22	11329	(80000000–) Screw, Hex, M6 X 1.0 X 16, Ss, NI	1
	23	09741	(80000000–) Nut, Hex, Lock, M12 X 1.75, NI, Ss	2
	24	1015869	(80000000–80001781) Screw, Soc, M6 X 1.0 X 25, Ss, NI	2
	25	200304017	(80000000–80001781) Washer, Flat, M6.4b X 13d X 1.6, PI	2
	26	1015079	(80000000–80001781)● Wheel, Scrbr, 198.00mm [W/ Spline]	2
	27	1028292	(80000000–) Adapter, Mtg, Axle, Alm	2
▽	28	1028379	(80000000–80001781)● Transaxle, Ele, 24vdc, 112rpm, Pkrd,Dfma	1
▲▽	29	1019916	(80000000–)● Motor, Transaxle, 24vdc, Replmt	1
▲▲	30	614166	(80000000–)● Brush Kit, Carbon [Qty 4]	1
▲	31	1017782	(80000000–)● Coupling Kit, Transaxle, Replmt [11057]	1
▲	32	612880	(80000000–)● Sleeve, Transaxle, Replmt	2
	33	1019008	(80000000–)● Caster, Swivel, 80mmd, M12 X 25 Clr PI	2
	34	1035711	(80000000–)● Boot, Switch, Hex Nut, .38–32 Thd	1
	35	606292	(80000000–)● Switch, Push, Actuator, 20a	1
	N/S	130773	(80000000–) Tie, Cable, Nyl, 11.0l, .14w, 3.0 Max. D	4

▽ ASSEMBLY

▲ INCLUDED IN ASSEMBLY

● RECOMMENDED STOCK ITEMS

SCRUB HEAD GROUP, 43 cm MODEL



SCRUB HEAD GROUP, 43 cm MODEL

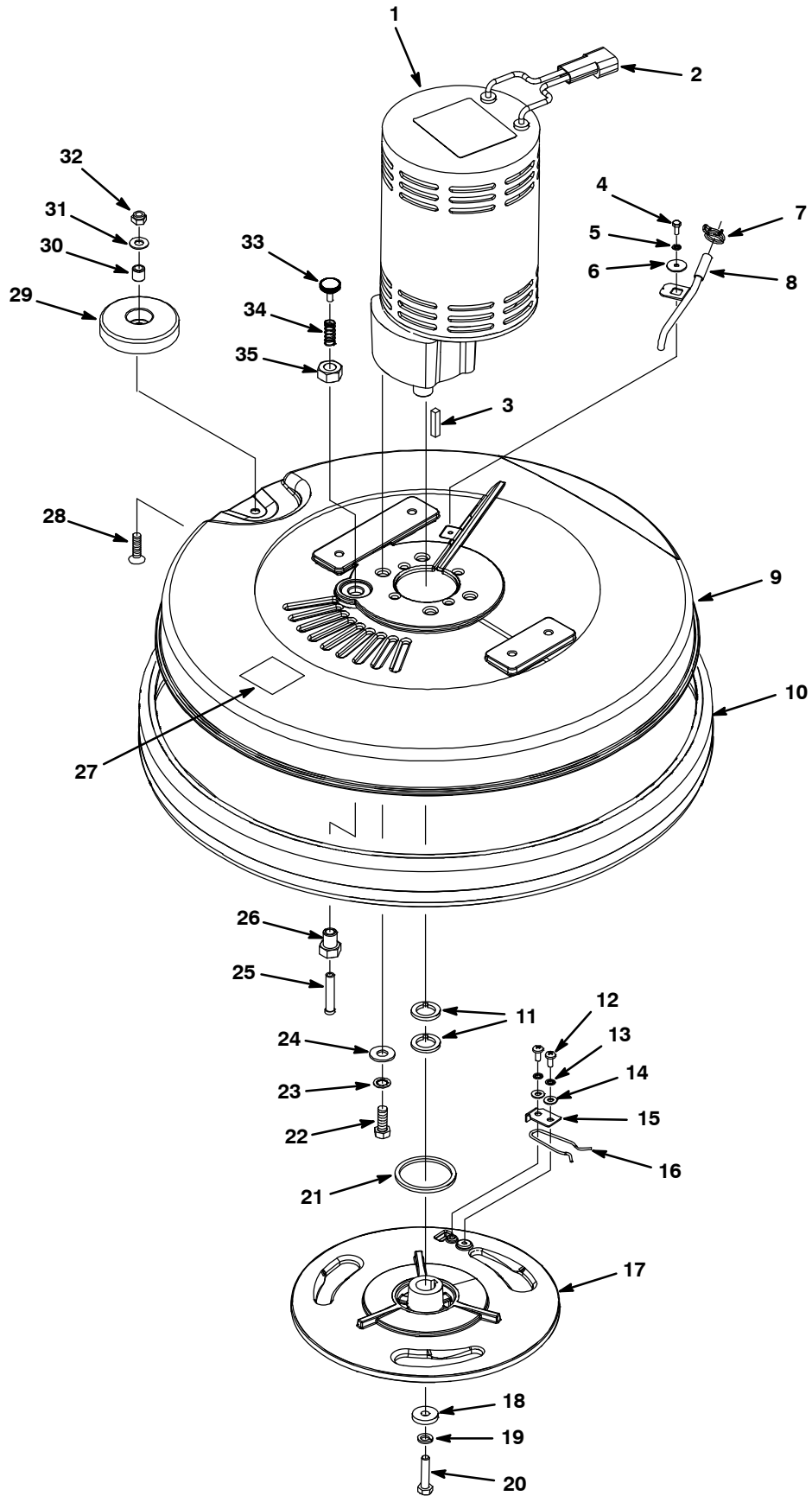
Ref.	Part No.	Serial Number	Description	Qty.
▽	1	1039494	(80002111-) ● Motor, Ele, 24vdc 0200rpm 1.00hp Gear	1
▲		1045790	(80002111-) ● Brush Kit, Replmt, Carbon 24vdc [4pc = 1kit]	1
▲	2	607798	(80000000-) ● Terminal Mal Brush Motor Leads	2
▲	2	607801	(80002111-) ● Clip, Position, Terminal [Packard]	1
▽	1	N/A	(80000000-80002110) ● Motor, Ele, 24vdc 0200rpm 1.00hp Gear (replaced by 1039494)	1
▲▽		1038269	(80000000-80002110) ● Brush, Card, Assy, Imperial (For Motor #1028301)	1
▲		190970	(80000000-80002110) ● Brush, Carbon, Motor, Ele (For Motor #1028301)	1
▲		1038268	(80000000-80002110) ● Gearbox, Motor, Imperial (For Motor #1028301)	1
▲	2	607798	(80000000-80002110) ● Terminal Mal Brush Motor Leads (For Motor #1028301)	2
▲	2	607797	(80000000-80002110) ● Connector, Mal [Packard] (For Motor #1028301)	1
	3	00930	(80000000-) ● Key, Sq, 0.25 X 0.25, 1.50l	1
	4	1020234	(80000000-) Screw, Hex, M4 X 0.7 X 10, Ss	1
	5	02938	(80000000-) Washer, Lock, Int, 08, Ss	1
	6	1009168	(80000000-) Washer, Flat, 0.17b 0.75d .04, Ss	1
	7	607775	(80000000-) Clamp, Hose, Wir, .63 - .66, Blk	1
	8	1016155	(80000000-) Tube Wldt, Supply, Water	1
	9	1048186	(80000000-) Housing, Head, 43cm [Die Cast]	1
	10	1011368	(80000000-) ● Bumper, Head, 43cm, W/ Bristle Skirt	1
	11	621471	(80000000-) Spacer, 0.75b 1.12d 0.12l,	2
	12	09200	(80000000-) Screw, Pan, M5 X 0.8 X 12, Ss	2
	13	07514	(80000000-) Washer, Lock, Int, #10, Ss	2
	14	01683	(80000000-) Washer, Flat, 0.22b 0.50d .05, Ss [#10]	2
	15	1011201	(80000000-) ● Plate, Clamp, Brush	1
	16	1013188	(80000000-) ● Clip, Spring, Drive Plate Yel PI	1
	17	1036525	(80000000-) ● Driver, Pad, 3-Lug, Alm, 19.0b[90lbs-Dp]	1
	18	1028796	(80000000-) Washer, Flat, 0.33b 1.00d .18	1
	19	140015	(80000000-) Washer, Lock, Split, 0.31, Ss	1
	20	1035038	(80000000-) Screw, Hex, .31-18 X 1.38, Ss, NI	1
	21	1016426	(80000000-) Ring, Water, Containment	1
	22	69225	(80000000-) Screw, Hex, .38-16 X 1.00, Ss	4
	23	43953	(80000000-) Washer, Lock, Int, 0.38 Ss	4
	24	01686	(80000000-) Washer, Flat, 0.44b 1.00 .08, Ss	4
	25	1037399	(80000000-) Pin, Stop, 8.3mmd X 42mml	1
	26	605825	(80000000-) Screw, Stop, Head Pin	1
	27	578769	(80000000-) Label, Moving Parts	1
	28	79506	(80000000-) Screw, Flt, M8 X 1.25 X 30, Ss	1
	29	1010560	(80000000-) ● Wheel, Bmpr, 80d X 25w, Non-Marking	1
	30	222460	(80000000-) Sleeve, P/M, 0.31b 0.50d 0.5l	1
	31	140027	(80000000-) Washer, Flat, 0.35b 0.75d .04, Ss	1
	32	08713	(80000000-) Nut, Hex, Lock, M8 X 1.25, NI, Ss	1
	33	603012	(80000000-) ● Knob, Rnd, 19.0d M6 X 12, Stud, Plstc,PI	1
	34	1037400	(80000000-) Spring, Cmpr, .42od, .04wir, 1.0l, PI,Mw	1
	35	1037470	(80000000-) Nut, Hex, M14 X 2.00, Ss	1

▽ ASSEMBLY

▲ INCLUDED IN ASSEMBLY

● RECOMMENDED STOCK ITEMS

SCRUB HEAD GROUP, 50 cm MODEL



SCRUB HEAD GROUP, 50 cm MODEL

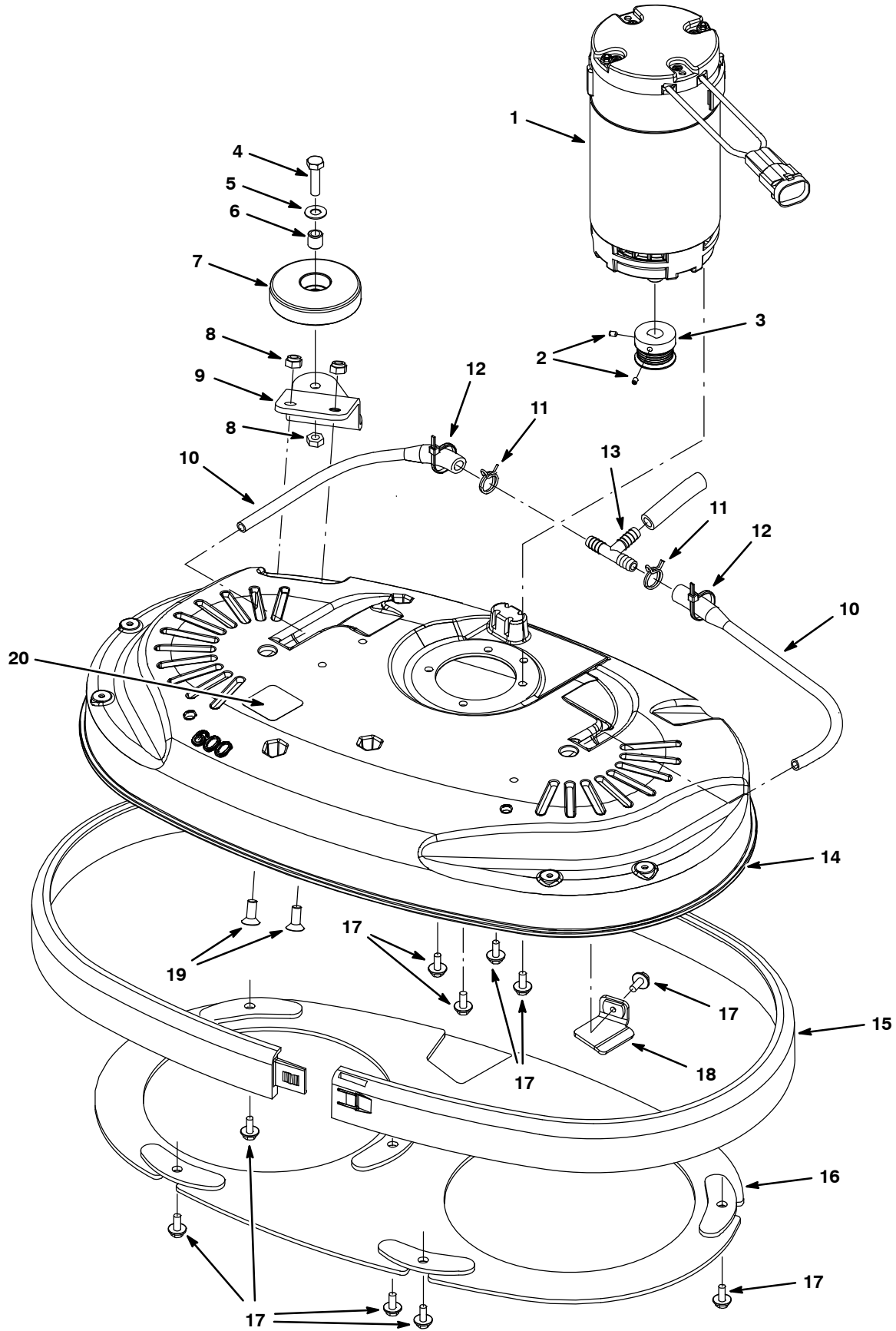
Ref.	Part No.	Serial Number	Description	Qty.
▽	1	1039494	(80002111-) ● Motor, Ele, 24vdc 0200rpm 1.00hp Gear	1
▲		1045790	(80002111-) ● Brush Kit, Replmt, Carbon 24vdc [4pc = 1kit]	1
▲	2	607798	(80000000-) ● Terminal Mal Brush Motor Leads	2
▲	2	607801	(80002111-) ● Clip, Position, Terminal [Packard]	1
▽	1	N/A	(80000000-80002110) ● Motor, Ele, 24vdc 0200rpm 1.00hp Gear (replaced by 1039494)	1
▲▽		1038269	(80000000-80002110) ● Brush, Card, Assy, Imperial (For Motor #1028301)	1
▲		190970	(80000000-80002110) ● Brush, Carbon, Motor, Ele (For Motor #1028301)	1
▲		1038268	(80000000-80002110) ● Gearbox, Motor, Imperial (For Motor #1028301)	1
▲	2	607798	(80000000-80002110) ● Terminal Mal Brush Motor Leads (For Motor #1028301)	2
▲	2	607797	(80000000-80002110) ● Connector, Mal [Packard] (For Motor #1028301)	1
	3	00930	(80000000-) ● Key, Sq, 0.25 X 0.25, 1.50l	1
	4	1020234	(80000000-) Screw, Hex, M4 X 0.7 X 10, Ss	1
	5	02938	(80000000-) Washer, Lock, Int, 08, Ss	1
	6	1009168	(80000000-) Washer, Flat, 0.17b 0.75d .04, Ss	1
	7	607775	(80000000-) Clamp, Hose, Wir, .63 - .66, Blk	1
	8	1016155	(80000000-) Tube Wldt, Supply, Water	1
	9	1036813	(80000000-) Housing, Head, 50cm, Die Cstg	1
	10	1011316	(80000000-) ● Bumper, Head, W/ Bristle Skirt	1
	11	621471	(80000000-) Spacer, 0.75b 1.12d 0.12l	2
	12	09200	(80000000-) Screw, Pan, M5 X 0.8 X 12, Ss	2
	13	07514	(80000000-) Washer, Lock, Int, #10, Ss	2
	14	01683	(80000000-) Washer, Flat, 0.22b 0.50d .05, Ss [#10]	2
	15	1011201	(80000000-) ● Plate, Clamp, Brush	1
	16	1013188	(80000000-) ● Clip, Spring, Drive Plate Yel PI	1
	17	1036525	(80000000-) ● Driver, Pad, 3-Lug, Alm, 19.0b[90lbs-Dp]	1
	18	1028796	(80000000-) Washer, Flat, 0.33b 1.00d .18	1
	19	140015	(80000000-) Washer, Lock, Split, 0.31, Ss	1
	20	1035038	(80000000-) Screw, Hex, .31-18 X 1.38, Ss, NI	1
	21	1016426	(80000000-) Ring, Water, Containment	1
	22	69225	(80000000-) Screw, Hex, .38-16 X 1.00, Ss	4
	23	43953	(80000000-) Washer, Lock, Int, 0.38 Ss	4
	24	01686	(80000000-) Washer, Flat, 0.44b 1.00 .08, Ss	4
	25	1037399	(80000000-) Pin, Stop, 8.3mmd X 42mml	1
	26	605825	(80000000-) Screw, Stop, Head Pin	1
	27	578769	(80000000-) Label, Moving Parts	1
	28	79506	(80000000-) Screw, Flt, M8 X 1.25 X 30, Ss	1
	29	1010560	(80000000-) ● Wheel, Bmpr, 80d X 25w, Non-Marking	1
	30	222460	(80000000-) Sleeve, P/M, 0.31b 0.50d 0.5l	1
	31	140027	(80000000-) Washer, Flat, 0.35b 0.75d .04, Ss	1
	32	08713	(80000000-) Nut, Hex, Lock, M8 X 1.25, NI, Ss	1
	33	603012	(80000000-) ● Knob, Rnd, 19.0d M6 X 12, Stud, Plstc,PI	1
	34	1037400	(80000000-) Spring, Cmpr, .42od, .04wir, 1.0l, PI,Mw	1
	35	1037470	(80000000-) Nut, Hex, M14 X 2.00, Ss	1

▽ ASSEMBLY

▲ INCLUDED IN ASSEMBLY

● RECOMMENDED STOCK ITEMS

SCRUB HEAD GROUP, DUAL DISK, 60 cm MODEL



SCRUB HEAD GROUP, DUAL DISK, 60 cm MODEL

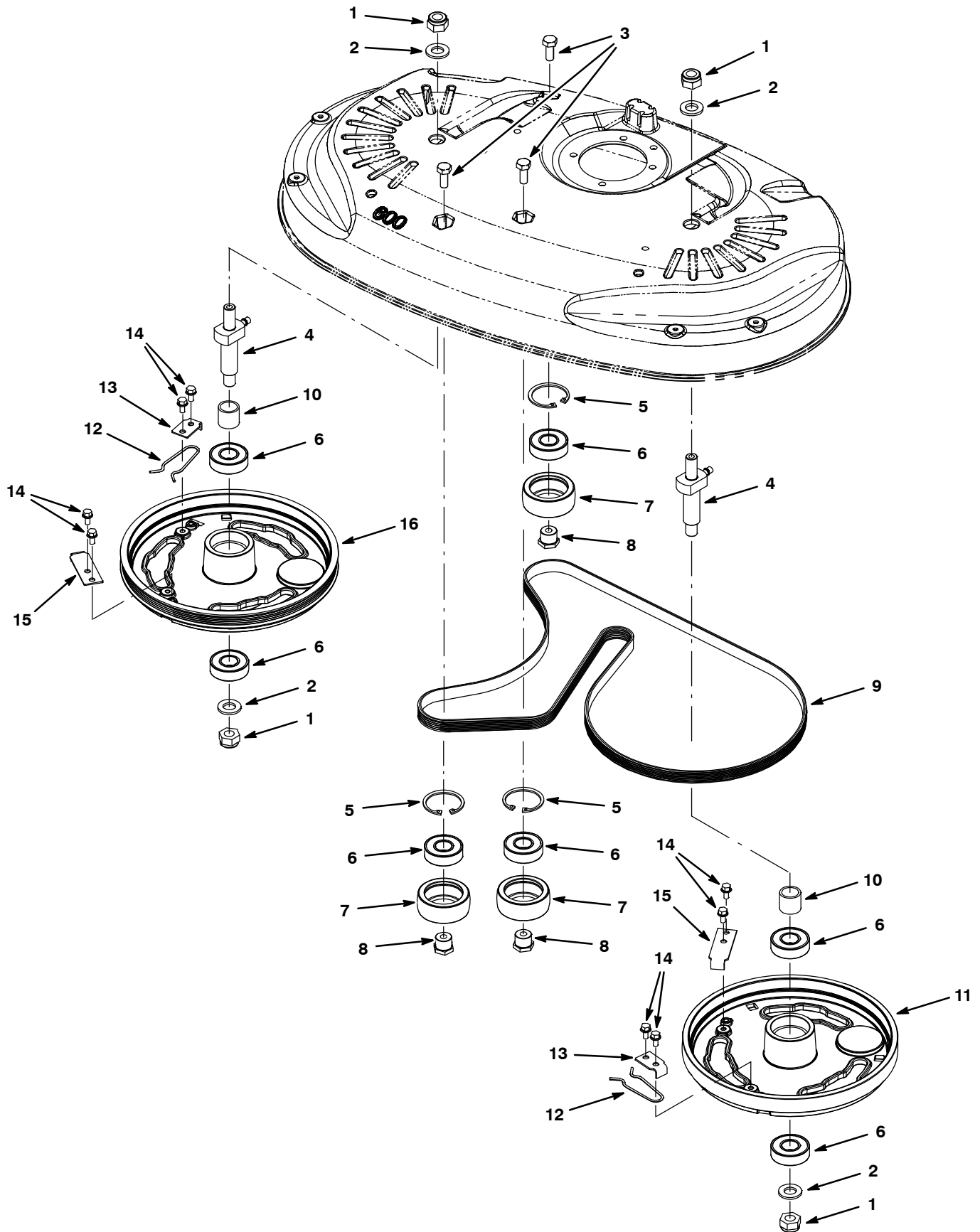
Ref.	Part No.	Serial Number	Description	Qty.
▽	1	1064902	(80000000-)● Motor, 24vdc, 2000rpm, 7/8hp [Us]	1
▲		1059370	(80000000-)● Brush, Motor, Replmt [Bag Of 4]	1
	2	1013995	(80000000-) Screw, Set, M5 X 0.80 X 8, Ss [Cuppt]	2
	3	1059058	(80000000-) Sheave, 06grv, 1.25pd 0.55b, Ss [D Shaft]	1
	4	09011	(80000000-) Screw, Hex, M8 X 1.25 X 30, Ss	1
	5	140027	(80000000-) Washer, Flat, 0.35b 0.75d .04, Ss	1
	6	222460	(80000000-) Sleeve, P/M, 0.32b 0.50d 0.5l [430ss]	1
	7	1010560	(80000000-)● Wheel, Bmpr, 80d X 25w, Non-Marking	1
	8	08713	(80000000-) Nut, Hex, Lock, M8 X 1.25, NI, Ss	3
	9	1055815	(80000000-) Bracket, Wall-Roller, Scb Head [T3]	1
	10	1062937	(80000000-) Tube, Soltn, 245.0mml [T3 Dual Disks]	2
	11	607775	(80000000-) Clamp, Hose, Wir, .63 - .66, Blk	2
	12	130773	(80000000-) Tie, Cable, Nyl, 11.0l, .14w, 3.0 Max. D	2
	13	160310	(80000000-) Fitting, Plstc, Tee, Bm06/Bm06/Bm06	1
	14	1059697	(80000000-) Housing, Casting, Head [T3 60cm] Mach	1
	15	1053609	(80000000-) Bumper, Skirt, Scb Head, 60cm	1
	16	1058573	(80000000-) Bracket, Gaurd, Splash [T3 60cm]	1
	17	1034731	(80000000-) Screw, Hex, M6 X 1.00 X 16, Ss, Sems	10
	18	1058380	(80000000-) Bracket, Guide, Belt [T3 60cm]	1
	19	79246	(80000000-) Screw, Flt, Soc, M8 X 1.25 X 20, 18-8,Ss	2
	20	578769	(80000000-) Label, Parts, Moving [Textless]	1

▽ ASSEMBLY

▲ INCLUDED IN ASSEMBLY

● RECOMMENDED STOCK ITEMS

SCRUB HEAD GROUP, DUAL DISK, 60 cm MODEL - CONT'D



SCRUB HEAD GROUP, DUAL DISK, 60 cm MODEL – CONT'D

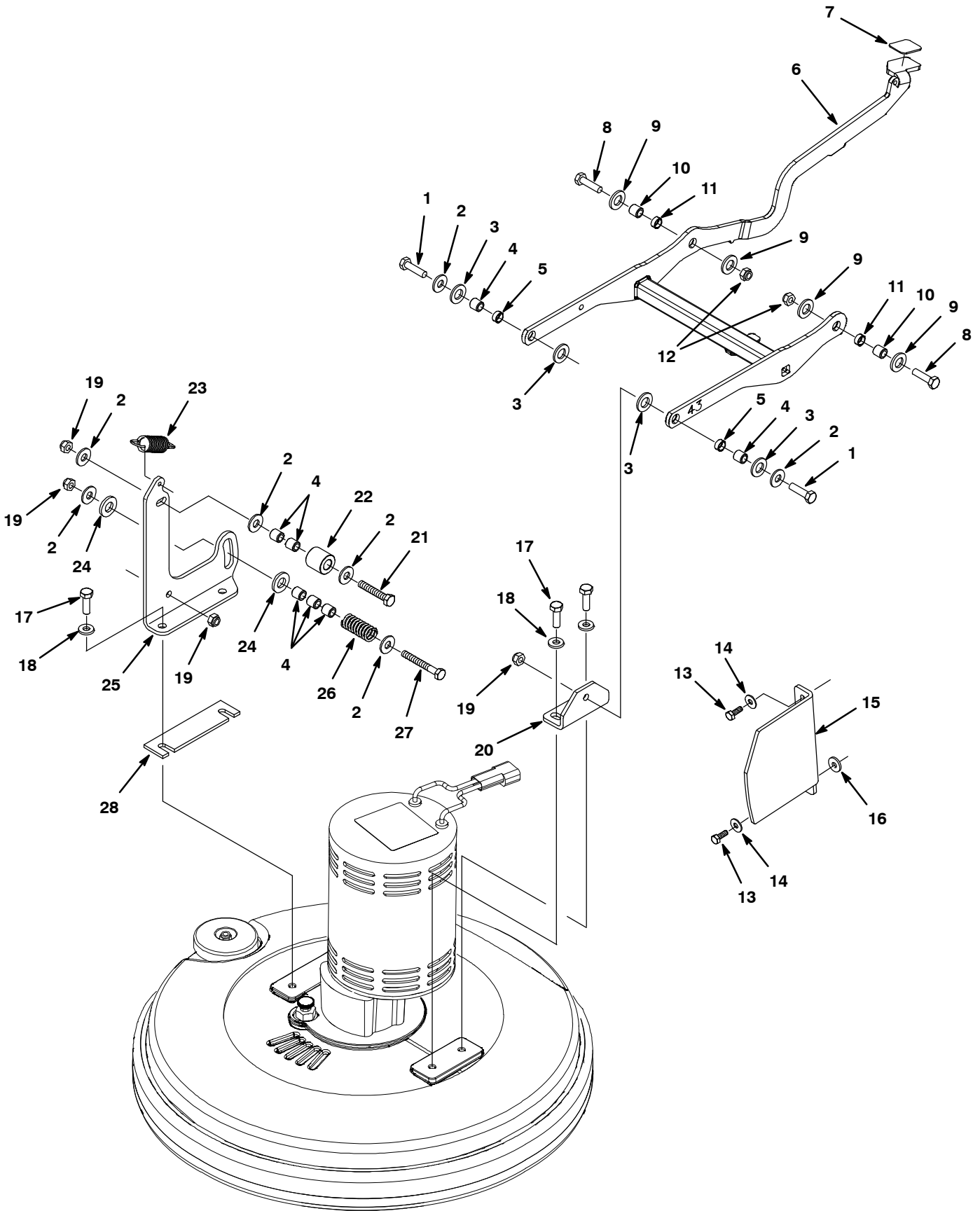
Ref.	Part No.	Serial Number	Description	Qty.
1	09741	(80000000–) Nut, Hex, Lock, M12 X 1.75, NI, Ss	4
2	33925	(80000000–) Washer, Flat, M12, Ss	4
3	12273	(80000000–) Screw, Hex, M8 X 1.25 X 20, NI, Ss	3
4	1058800	(80000000–) Shaft Wldt, Mtg, Pulley	2
5	1013884	(80000000–)● Ring, Retaining, Int, 40mm, Ss	3
6	140123	(80000000–)● Bearing, Ball, 0.67b 1.57d 0.47w [6203]	7
7	1058514	(80000000–) Pulley, Idler, 55d X 21w[60cm Dual Disk]	3
8	1011008	(80000000–) Spacer, Brg, Idler	3
9	1055305	(80000000–)● Belt, Drive, 6pj, Ej139 [T3]	1
10	1011041	(80000000–) Tube, 0.69id 0.87od 00.8l, Stl, Pl	2
11	1059205	(80000000–)● Hub, Drive, 3lug, Alm, 2disk, Flt	1
12	1013188	(80000000–) Clip, Spring, Drive Plate [T3], Clr Zn	2
13	1013592	(80000000–) Stop, Driver, Release	2
14	223198	(80000000–) Screw, Hex, M5 X 0.80 X 10, Fmg	8
15	1011201	(80000000–) Plate, Clamp, Brush	2
16	1059206	(80000000–)● Hub, Drive, 3lug, Alm, 2disk, 6grv	1

▽ ASSEMBLY

▲ INCLUDED IN ASSEMBLY

● RECOMMENDED STOCK ITEMS

SCRUB HEAD LIFT GROUP, 43 cm MODEL



SCRUB HEAD LIFT GROUP, 43 cm MODEL

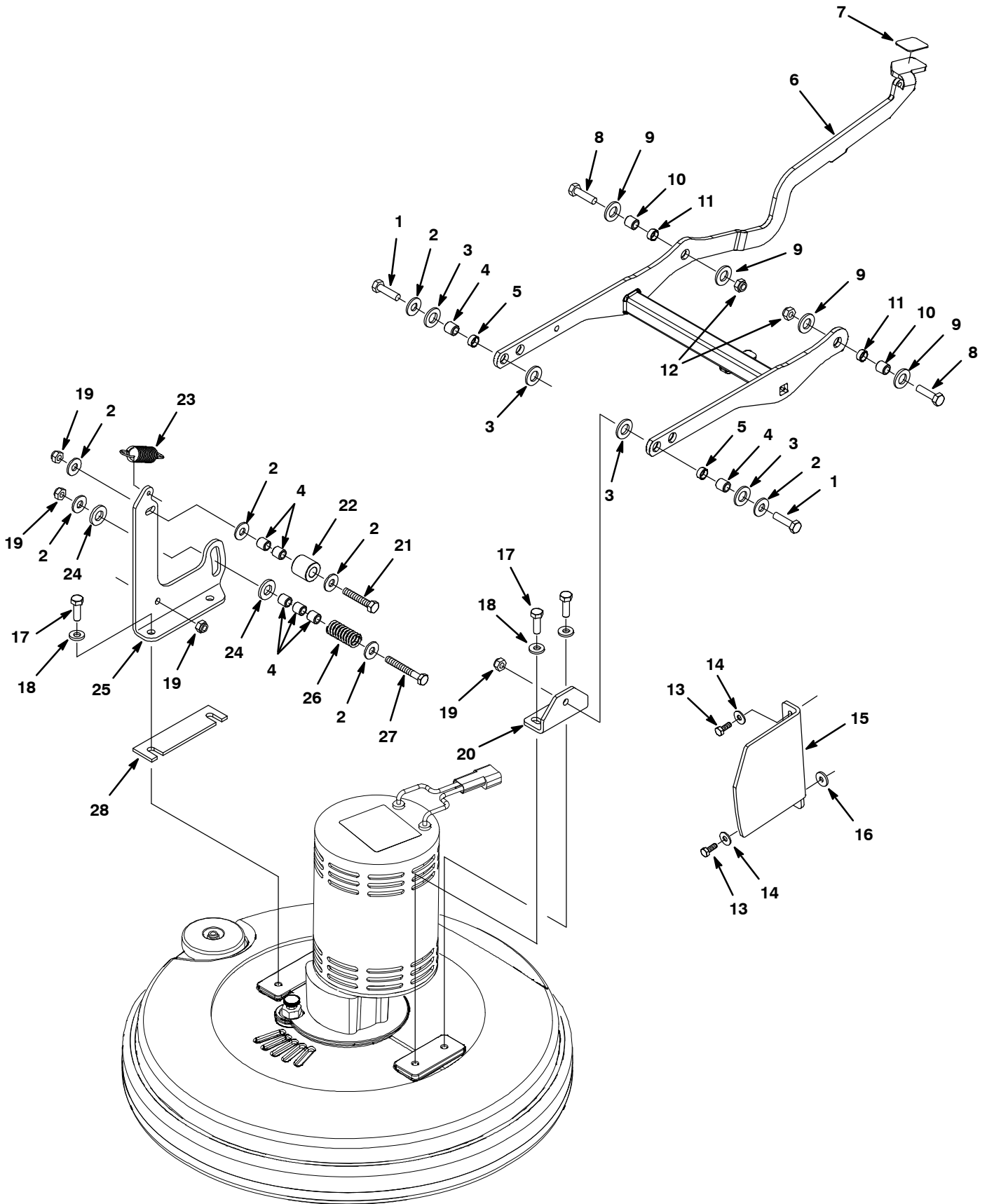
Ref.	Part No.	Serial Number	Description	Qty.
1	09011	(80000000-) Screw, Hex, M8 X 1.25 X 30, Ss	2
2	01685	(80000000-) Washer, Flat, 0.38b 0.88d .08, Ss	7
3	1013936	(80000000-) Washer, Flat, 0.51b 0.94d .10, Nyl	4
4	222460	(80000000-) Sleeve, P/M, 0.31b 0.50d 0.5l	7
5	630188	(80000000-) Bearing, Journal, .50id X .25l	2
∇	6	1061708	(80000000-) Kit, Lift Assy, Head, Sgl Disk,43cm [T3]	1
▲	7	1014283	(80000000-) ● Pad, Adh, Non-Slip, 28mm X 36mm, Blk	1
▲	8	09011	(80000000-) Screw, Hex, M8 X 1.25 X 30, Ss	2
▲	9	1013936	(80000000-) Washer, Flat, 0.51b 0.94d .10, Nyl	4
▲	10	222460	(80000000-) Sleeve, P/M, 0.31b 0.50d 0.5l	2
▲	11	630188	(80000000-) Bearing, Journal, .50id X .25l	2
▲	12	08713	(80000000-) Nut, Hex, Lock, M8 X 1.25, NI, Ss	2
	13	11329	(80000000-) Screw, Hex, M6 X 1.0 X 16, Ss, NI	2
	14	01684	(80000000-) Washer, Flat, 0.25 Ss	1
	15	1015460	(80000000-) Bracket, Guide, Head, [43cm]	1
	16	1028796	(80000000-) Washer, Flat, 0.33b 1.00d .18, Stl, PI	1
	17	12333	(80000000-) Screw, Hex, M8 X 1.25 X 25, Ss, NI	4
	18	69461	(80000000-) Washer, Flat, 0.38b 0.88d .12, Stl, PI	4
	19	08713	(80000000-) Nut, Hex, Lock, M8 X 1.25, NI, Ss	4
	20	1015470	(80000000-) Bracket, Mtg, Head	1
	21	222505	(80000000-) Screw, Hex, M8 X 1.25 X 45, Ss	1
	22	1014020	(80000000-) ● Roller, Lift, Dual Disk Head	1
	23	1032420	(80000000-) Spring, Extn, 0.85od 0.09wir 02.9l (43cm Model)	1
	24	140127	(80000000-) Bearing, Thrust,0.51b X 1.0 X .12, Brz	2
	25	1012323	(80000000-) Bracket, Mtg, Head, Rh	1
	26	140430	(80000000-) Spring, Cmpr, .72od X 1.69 L	1
	27	1014163	(80000000-) Screw, Hex, M8 X 1.25 X 60, Fl, Ss	1
	28	1032791	(80000000-) Spacer, Head, 4mm (Brush Assist Model)	1
	N/S	130773	(80000000-) Tie, Cable, Nyl, 11.0l, .14w, 3.0 Max. D	1

∇ ASSEMBLY

▲ INCLUDED IN ASSEMBLY

● RECOMMENDED STOCK ITEMS

SCRUB HEAD LIFT GROUP, 50 cm MODEL



SCRUB HEAD LIFT GROUP, 50 cm MODEL

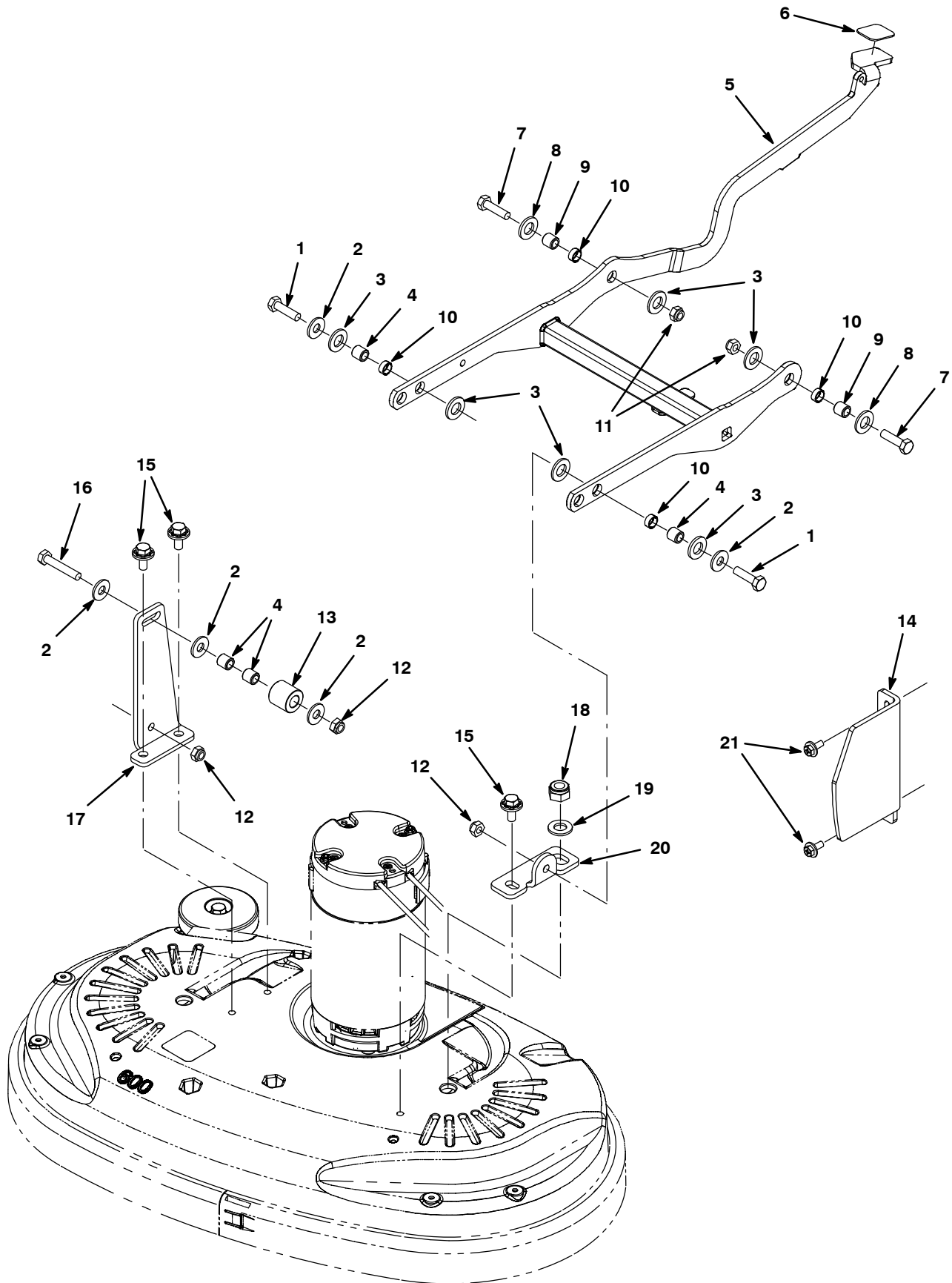
Ref.	Part No.	Serial Number	Description	Qty.
1	09011	(80000000-) Screw, Hex, M8 X 1.25 X 30, Ss	2
2	01685	(80000000-) Washer, Flat, 0.38b 0.88d .08, Ss	7
3	1013936	(80000000-) Washer, Flat, 0.51b 0.94d .10, Nyl	4
4	222460	(80000000-) Sleeve, P/M, 0.31b 0.50d 0.5l	7
5	630188	(80000000-) Bearing, Journal, .50id X .25l	2
∇	6	1061720	(80000000-) Kit, Lift Assy, Head, Disk,50/60[T3 N/A]	1
▲	7	1014283	(80000000-)● Pad, Adh, Non-Slip, 28mm X 36mm, Blk	1
▲	8	09011	(80000000-) Screw, Hex, M8 X 1.25 X 30, Ss	2
▲	9	1013936	(80000000-) Washer, Flat, 0.51b 0.94d .10, Nyl	4
▲	10	222460	(80000000-) Sleeve, P/M, 0.31b 0.50d 0.5l	2
▲	11	630188	(80000000-) Bearing, Journal, .50id X .25l	2
▲	12	08713	(80000000-) Nut, Hex, Lock, M8 X 1.25, NI, Ss	2
	13	11329	(80000000-) Screw, Hex, M6 X 1.0 X 16, Ss, NI	2
	14	01684	(80000000-) Washer, Flat, 0.25 Ss	1
	15	1012484	(80000000-) Bracket, Guide, Head, [50cm]	1
	16	1028796	(80000000-) Washer, Flat, 0.33b 1.00d .18, Stl, PI	1
	17	12333	(80000000-) Screw, Hex, M8 X 1.25 X 25, Ss, NI	4
	18	69461	(80000000-) Washer, Flat, 0.38b 0.88d .12, Stl, PI	4
	19	08713	(80000000-) Nut, Hex, Lock, M8 X 1.25, NI, Ss	4
	20	1015470	(80000000-) Bracket, Mtg, Head	1
	21	222505	(80000000-) Screw, Hex, M8 X 1.25 X 45, Ss	1
	22	1014020	(80000000-)● Roller, Lift, Dual Disk Head	1
	23	1031776	(80000000-) Spring, Extn, 0.75od 0.09wir 03.2l (50cm Model)	1
	24	140127	(80000000-) Bearing, Thrust,0.51b X 1.0 X .12, Brz	2
	25	1012323	(80000000-) Bracket, Mtg, Head, Rh	1
	26	140430	(80000000-) Spring, Cmpr, .72od X 1.69 L	1
	27	1014163	(80000000-) Screw, Hex, M8 X 1.25 X 60, Fl, Ss	1
	28	1032791	(80000000-) Spacer, Head, 4mm (Brush Assist Model)	1
	N/S	130773	(80000000-) Tie, Cable, Nyl, 11.0l, .14w, 3.0 Max. D	1

∇ ASSEMBLY

▲ INCLUDED IN ASSEMBLY

● RECOMMENDED STOCK ITEMS

SCRUB HEAD LIFT GROUP, DUAL DISK 60 cm MODEL



SCRUB HEAD LIFT GROUP, DUAL DISK 60 cm MODEL

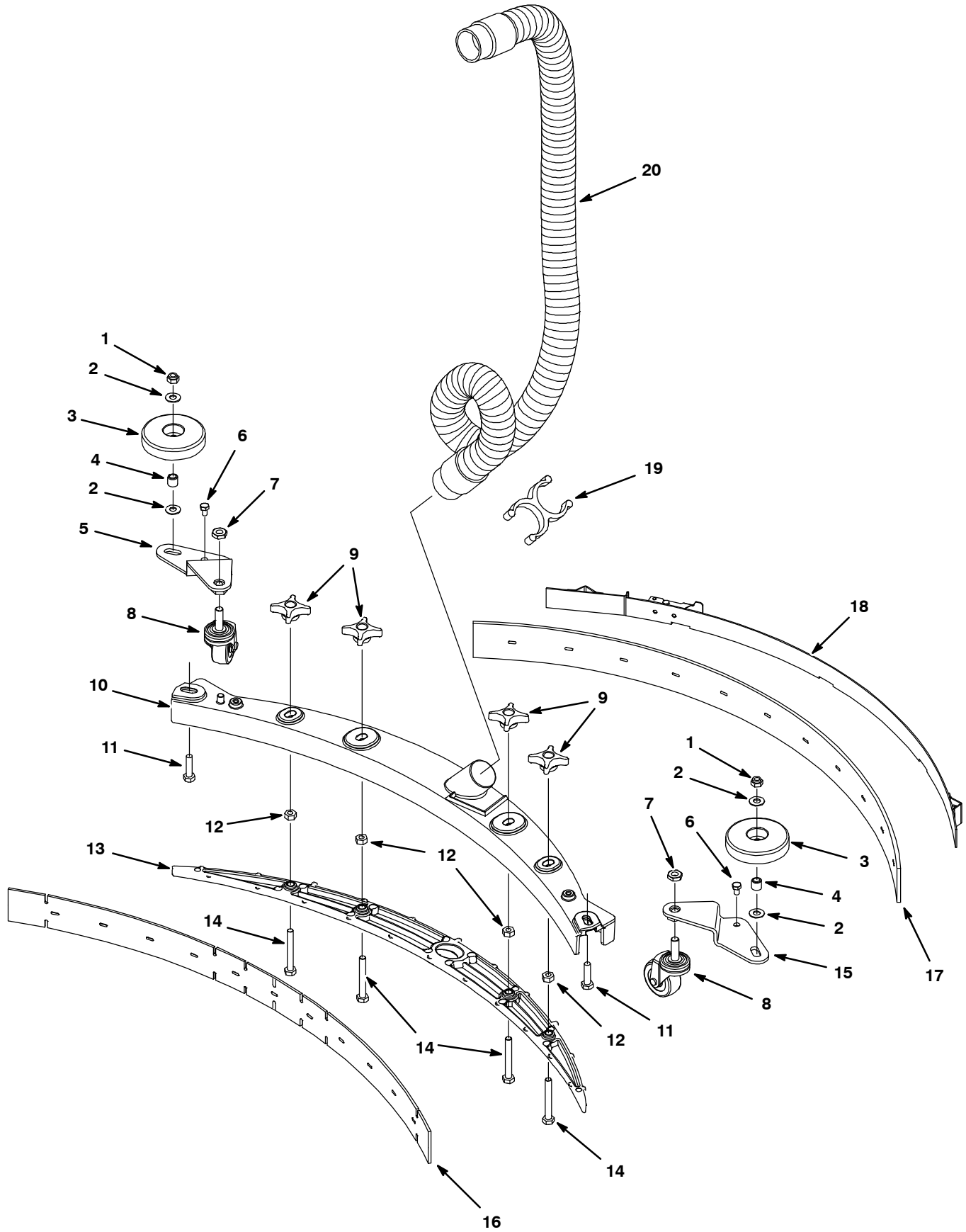
Ref.	Part No.	Serial Number	Description	Qty.	
1	09011	(80000000-) Screw, Hex, M8 X 1.25 X 30, Ss	2	
2	01685	(80000000-) Washer, Flat, 0.38b 0.88d .08, Ss	5	
3	1013936	(80000000-) Washer, Flat, 0.51b 0.94d .10, Nyl	4	
4	222460	(80000000-) Sleeve, P/M, 0.31b 0.50d 0.5l	4	
▽	5	1061720	(80000000-) Kit, Lift Assy, Head, Disk,50/60[T3 N/A]	1
▲	6	1014283	(80000000-)● Pad, Adh, 28mm X 36mm, Blk [Non-Slip]	1
▲	7	09011	(80000000-) Screw, Hex, M8 X 1.25 X 30, Ss	2
▲	8	1013936	(80000000-) Washer, Flat, 0.51b 0.94d .10, Nyl	4
▲	9	222460	(80000000-) Sleeve, P/M, 0.31b 0.50d 0.5l [430ss]	2
▲	10	630188	(80000000-) Bearing, Journal, .50id X .25l	4
▲	11	08713	(80000000-) Nut, Hex, Lock, M8 X 1.25, NI, Ss	2
	12	08713	(80000000-) Nut, Hex, Lock, M8 X 1.25, NI, Ss	3
	13	1014020	(80000000-)● Roller, Lift, Dual Disk Head	1
	14	1055999	(80000000-) Bracket, Guide, Head, 60cm Dd [T3]	1
	15	1020341	(80000000-) Screw, Hex, M8 X 1.25 X 20, Ss, Sems Sq	3
	16	222505	(80000000-) Screw, Hex, M8 X 1.25 X 45, Ss	1
	17	1011432	(80000000-) Bracket, Mtg, Head, Rh	1
	18	09741	(80000000-) Nut, Hex, Lock, M12 X 1.75, NI, Ss	1
	19	33925	(80000000-) Washer, Flat, M12, Ss	1
	20	1054760	(80000000-) Bracket, Mtg, Head [T3 60cm Dd]	1
	21	1034731	(80000000-) Screw, Hex, M6 X 1.00 X 16, Ss, Sems	2

▽ ASSEMBLY

▲ INCLUDED IN ASSEMBLY

● RECOMMENDED STOCK ITEMS

SQUEEGEE GROUP, 500 mm



SQUEEGEE GROUP, 500 mm

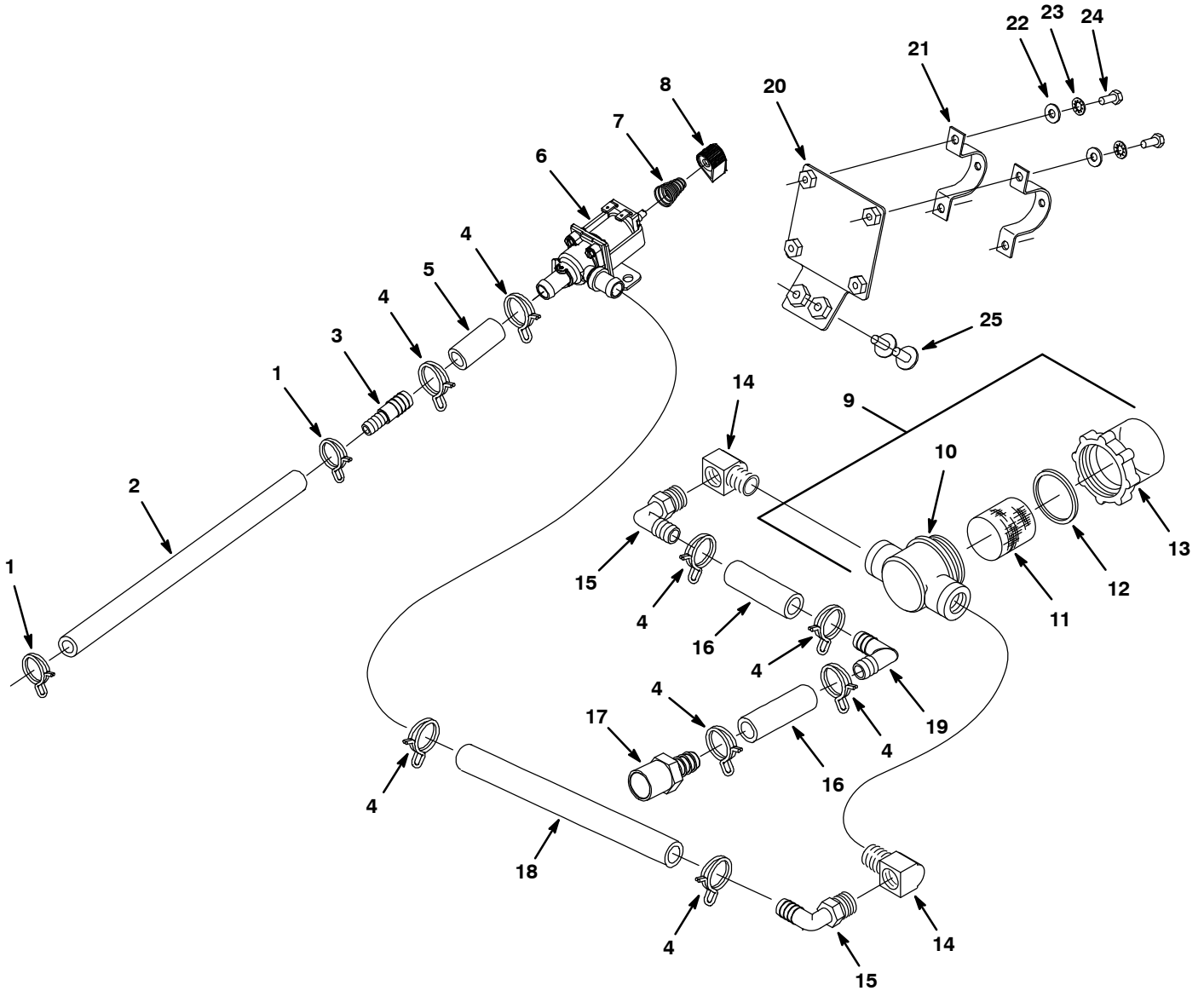
Ref.	Part No.	Serial Number	Description	Qty.
▽	9001178	(80000000-)● Squeegee Assy Kit, 500mm, Ci	1
▲	1 08713	(80000000-) Nut, Hex, Lock, M8 X 1.25, NI, Ss	2
▲	2 140027	(80000000-) Washer, Flat, 0.35b 0.75d .04, Ss	4
▲	3 1010560	(80000000-)● Wheel, Bmpr, 80d X 25w, Non-Marking	2
▲	4 222460	(80000000-) Sleeve, P/M, 0.31b 0.50d 0.5l	2
▲	5 1011228	(80000000-) Plate, Mtg, Caster, Sqge, Rh	1
▲	6 74455	(80000000-) Screw, Hex, M6 X 1.0 X 12, Fmg	2
▲	7 32716	(80000000-) Nut, Hex, Jam, M10 X 1.5, Ss	2
▲	8 1006343	(80000000-)● Caster, Swivel, 50mmd, M10 X 30 Stem, PI	2
▲	9 1010558	(80000000-)● Knob, Star, 2.00d 4ear .73l M8x1.25 Thru	4
▲	10 1011163	(80000000-) Frame, Sqge, 74cm [50cm] Die Cast	1
▲	11 09011	(80000000-) Screw, Hex, M8 X 1.25 X 30, Ss	2
▲	12 07786	(80000000-) Nut, Hex, Std, M8 X 1.25, Ss	4
▲	13 1019919	(80000000-) Retainer, Sqge, 76cm [50cm] Nyl, Blk	1
▲	14 1014163	(80000000-) Screw, Hex, M8 X 1.25 X 60, Fl, Ss	4
▲	15 1011956	(80000000-) Plate, Mtg, Caster, Sqge, Lh	1
▲	16 1011232	(80000000-)● Blade, Sqge, Front, 500mml Linatex (Red Standard)	1
	16 1014091	(80000000-)● Blade, Sqge, Front, 500mml, Gum (Rubber Tan Optional)	1
	16 1014092	(80000000-)● Blade, Sqge, Front, 500mml, Oil-Rstn (Polyurethane Natural Optional)	1
▲	17 1011456	(80000000-)● Blade, Sqge, Rear, 32.7l, Linatex[500mm] (Red Standard)	1
	17 1014093	(80000000-)● Blade, Sqge, Rear, 32.7l, Gum [500mm] (Rubber Tan Optional)	1
	17 1014094	(80000000-)● Blade, Sqge, Rear, 32.7l, Oil-Rstn[500mm] (Polyurethane Natural Optional)	1
▲	18 1013933	(80000000-) Strap Assy, Sqge, 500mm	1
	19 1014079	(80000000-)● Clip, Hose, Gripper, 1.50id, Dbl, Blk Pp	1
	20 1014026	(80000000-)● Hose, Vacuum, 1.5d X 57l, 2-Short Cuffs	1

▽ ASSEMBLY

▲ INCLUDED IN ASSEMBLY

● RECOMMENDED STOCK ITEMS

SOLUTION GROUP, STANDARD MODEL



SOLUTION GROUP, STANDARD MODEL

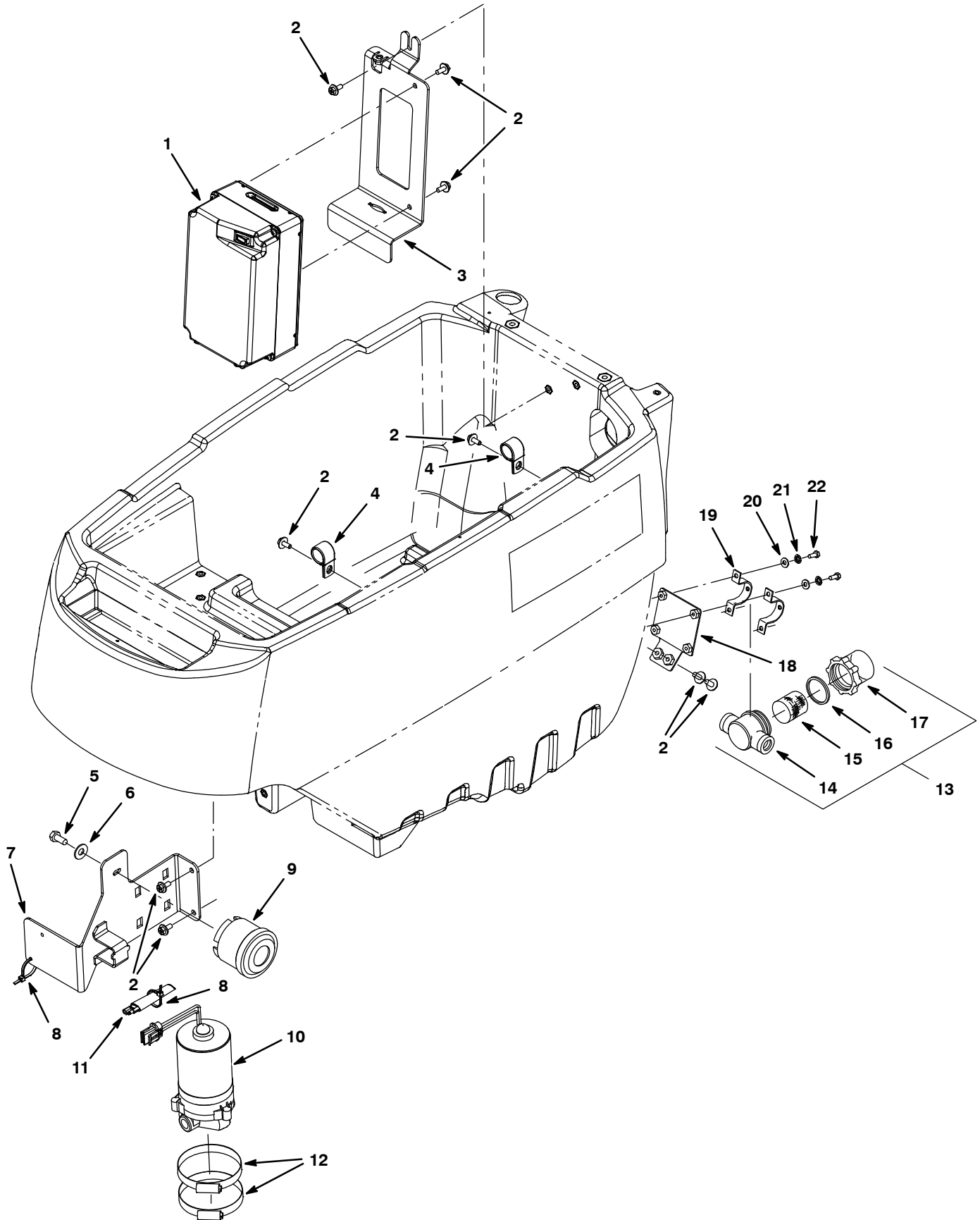
Ref.	Part No.	Serial Number	Description	Qty.
1	607775	(80000000-) Clamp, Hose, Wir, .63 - .66, Blk	2
2	606318	(80000000-) Hose, PVC, Brd, 0.38id 0.60od 036.5l, Clr	1
3	612774	(80000000-) Fitting, Plstc, Str, Bm06/Bm08	1
4	607776	(80000000-) Clamp, Hose, Wir, .73 - .77, Silver	8
5	606225	(80000000-) Hose 1/2id X 1.79"	1
▽	6	1062385	(80000000-) ● Valve, Water, Solenoid, 24vdc Bm10/Bm10	1
▲		614265	(80000000-) ● Valve Kit, Water [Viton Diaphragm]	1
	7	1017091	(80000000-)) Spring, Cmpr, .48d, .036w, .75l	1
	8	1013442	(80000000-) ● Knob, Valve, Indicator, Blk	1
▽	9	1005302	(80000000-) ● Filter, In-Line, Pf06/Pf06, 80 Mesh	1
▲	10	613993	(80000000-) ● Housing, Top, F/1005302	1
▲	11	1005304	(80000000-) ● Screen, Fltr, 80 Mesh	1
▲	12	613992	(80000000-) ● Gasket [Viton, F/1005302]	1
▲	13	613991	(80000000-) ● Bowl, Clr, Short, F/1005302	1
	14	150420	(80000000-)) Fitting, Brs, E90, Pf06/Pm06 [Taped]	2
	15	1017532	(80000000-)) Fitting, Plstc, E90, Bm08/Pm06	2
	16	140957	(80000000-)) Hose, Pvc, Clr, 0.50id 0.75od 002.5l	2
	17	1023581	(80000000-)) Fitting, Plstc, Str, Bm08/Pm08, Nyl	1
	18	613517	(80000000-)) Tube, 0.50id X 0.75od Vyl 0.46ft[611259]	1
	19	63987-1	(80000000-)) Fitting, Plstc, E90, Bm08/Bm08	1
	20	1029533	(80000000-)) Bracket, Mtg, Fltr	1
	21	605056	(80000000-)) Bracket, Mtg, Fltr	2
	22	01683	(80000000-)) Washer, Flat, #10, Ss	4
	23	07514	(80000000-)) Washer, Lock, Int, #10, Ss	4
	24	09738	(80000000-)) Screw, Hex, M5 X 0.8 X 12, Ss	4
	25	1034731	(80000000-)) Screw, Hex, M6 X 1.00 X 16, Ss, Sems	2

▽ ASSEMBLY

▲ INCLUDED IN ASSEMBLY

● RECOMMENDED STOCK ITEMS

SOLUTION GROUP, ec-H2O MODEL



SOLUTION GROUP, ec-H2O MODEL

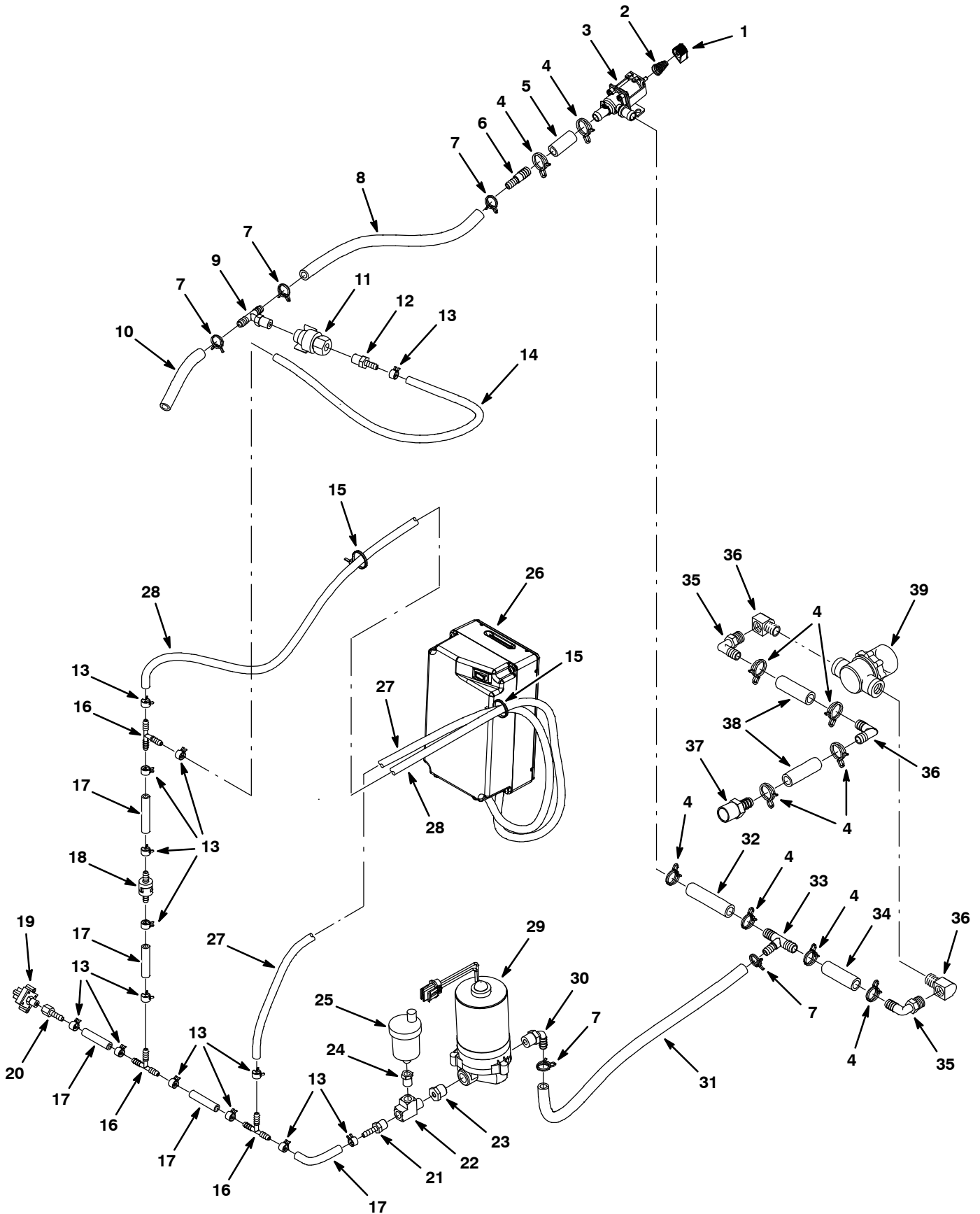
Ref.	Part No.	Serial Number	Description	Qty.	
1	9006269	(80006004-)● Module Kit, Replmt [Ec-H2o]	1	
2	1034731	(80000000-) Screw, Hex, M6 X 1.00 X 16, Ss, Sems	9	
3	1045961	(80002319-) Bracket, Mtg, Chrgr [Ss3/T3e Ec-H2o]	1	
4	140314	(80002319-) Clamp, Cable, Stl, 0.75d X 0.75w, 1hole	2	
5	11635	(80002319-) Screw, Hex, M6 X 1.00 X 12, NI, Ss	1	
6	01684	(80002319-) Washer, Flat, 0.27b 0.69d .05, Ss	1	
7	1037242	(80000000-) Bracket Wldt, Mtg, Pump [Fast li+]	1	
8	130773	(80000000-) Tie, Cable, Nyl, 11.0l, .14w, 3.0 Max. D	2	
9	1018505	(80005377-)● Horn, 12-48vdc [88.5 Decibels]	1	
9	392937	(80002319-80005376)● Horn, 12-48vdc [94 Decibels]	1	
▽	10	1042495	(80002319-)● Pump, Soltn, Ele, 24vdc, 35psi	1
▲		9004759	(80002319-)● Pump Kit, Head, Soltn [Ec-H2o]	1
▲		78950	(80000000-)● Connector, Fem, 2cav, Mp280 Sealed	1
▲		78951	(80000000-)● Terminal, Fem, Mp280, Sealed, 18-16ga	1
▲		10917	(80000000-)● Seal, Wire, 14/16ga [Wp / Mp280 Sealed]	1
▲		78952	(80000000-)● Lock, Secondary, 2cav, Mp280 Sealed	1
	11	1040868	(80002319-)● Capacitor, Plug [.01 Uf, 200v]	1
	12	43555	(80000000-) Clamp, Hose, Wormdrive, 2.50-3.50d, .50w	3
▽	13	1005302	(80000000-)● Filter, In-Line, Pf06/Pf06 080mesh 02.6l	1
▲	14	613993	(80000000-)● Housing, Top, F/1005302	1
▲	15	1005304	(80000000-)● Screen, Fltr, 80 Mesh, Ss	1
▲	16	613992	(80000000-)● Gasket [Viton, F/1005302]	1
▲	17	613991	(80000000-)● Bowl, Clr, Short, F/1005302	1
	18	1029533	(80000000-) Bracket, Mtg, Fltr	1
	19	605056	(80000000-) Bracket, Mtg, Fltr	2
	20	01683	(80000000-) Washer, Flat, 10, Ss	4
	21	07514	(80000000-) Washer, Lock, Int, 10, Ss	4
	22	09738	(80000000-) Screw, Hex, M5 X 0.80 X 12, Ss	4

▽ ASSEMBLY

▲ INCLUDED IN ASSEMBLY

● RECOMMENDED STOCK ITEMS

SOLUTION GROUP, ec-H2O MODEL - CONT'D



SOLUTION GROUP, ec-H2O MODEL – CONT'D

Ref.	Part No.	Serial Number	Description	Qty.	
1	1013442	(80000000–))● Knob, Valve, Indicator, Blk	1	
2	1017091	(80000000–))● Spring, Cmpr, 0.50od .04wir 00.8l	1	
▽	3	1016595	(80000000–))● Valve, .25–20 [Liq Dispensing]	1
▲	614265	(80000000–))● Valve Kit, Water [Viton Diaphragm]	1	
4	607776	(80000000–)) Clamp, Hose, Wir, .73 – .77, Silver	10	
5	1015071	(80000000–)) Hose, Afmkt, Pvc, Clr, 0.50id, 01ft	1	
6	612774	(80000000–)) Fitting, Plstc, Str, Bm06/Bm08	1	
7	607775	(80000000–)) Clamp, Hose, Wir, .63 – .66, Blk	5	
8	606318	(80000000–)) Hose, PVC,Brd, 0.38id 0.60od 036.5l, Clr	1	
9	1017340	(80002319–)) Fitting, Plstc, Tee, Bm06/Bm06/Pm04, Br	1	
10	606317	(80000000–)) Hose, PVC,Brd, 0.38id 0.60od 019.5l, Clr	1	
11	1043866	(80002319–)) Fitting Assy, Qd, Pf04	1	
12	50901	(80000000–)) Fitting, Plstc, Str, Bm04/Pm04	1	
13	603654	(80002319–)) Clamp, Hose, Ear, .44d [Ctb]	14	
14	578820000	(80002319–)) Hose, Pvc, Brd, 0.25id 0.44od 157.2l,Clr	1	
15	130773	(80002319–)) Tie, Cable, Nyl, 11.0l, .14w, 3.0 Max. D	2	
16	150713	(80002319–)) Fitting, Plstc, Tee, Bm04/Bm04/Bm04	3	
17	578820000	(80002319–)) Hose, Pvc, Brd, 0.25id 0.44od 157.2l,Clr	1	
18	1044334	(80002319–))● Valve, Check, 0017psi Bm04/Bm04	1	
19	1044335	(80002319–))● Switch, Press, 6psi, Pm02	1	
20	150520	(80002319–)) Fitting, Brs, Str, Bm04/Pf02	1	
21	150515	(80002319–)) Fitting, Brs, Str, Bm04/Pm04 [Taped]	1	
22	150709	(80002319–)) Fitting, Brs, Tee, Pm04/Pf04/Pf04, Run	1	
23	1016383	(80002319–)) Fitting, Brs, Str, Pf04/Pm06	1	
24	150100	(80002319–)) Fitting, Brs, Str, Pf02/Pm04	1	
25	1017386	(80000000–))● Valve, Vent, Air, Float Type	1	
▽	26	9006269	(80006004–))● Module Kit, Replmt [Ec–H2o] (See Breakdown)	1
▲	27	578820000	(80002319–)) Hose, Pvc, Brd, 0.25id 0.44od 157.2l,Clr	1
▲	28	9004606	(80002319–)) Hose, Pvc, Brd, .25id .45od 64l, Clr	1
29	1042495	(80002319–))● Pump, Soltn, Ele, 24vdc, 35psi	1	
30	1005630	(80000000–)) Fitting, Plstc, E90, Bm06/Pm06, Nyl	1	
31	613521	(80002319–)) Hose, Pvc, Clr, 0.50id 0.75od 012.0l	1	
32	613514	(80000000–)) Hose, Pvc, Clr, 0.50id 0.75od 004.1l	1	
33	630372	(80000000–)) Fitting, Plstc, Tee, Bm06/Bm08/Bm08, Br	1	
34	140957	(80000000–)) Hose, Pvc, Clr, 0.50id 0.75od 002.5l	1	
35	1017532	(80000000–)) Fitting, Plstc, E90, Bm08/Pm06	2	
36	150420	(80000000–)) Fitting, Brs, E90, Pf06/Pm06 [Taped]	2	
37	1023581	(80000000–)) Fitting, Plstc, Str, Bm08/Pm08, Nyl	1	
38	140957	(80000000–)) Hose, Pvc, Clr, 0.50id 0.75od 002.5l	2	
39	63987–1	(80000000–)) Fitting, Plstc, E90, Bm08/Bm08	1	
40	1005302	(80000000–))● Filter, In–Line, Pf06/Pf06 080mesh 02.6l	1	

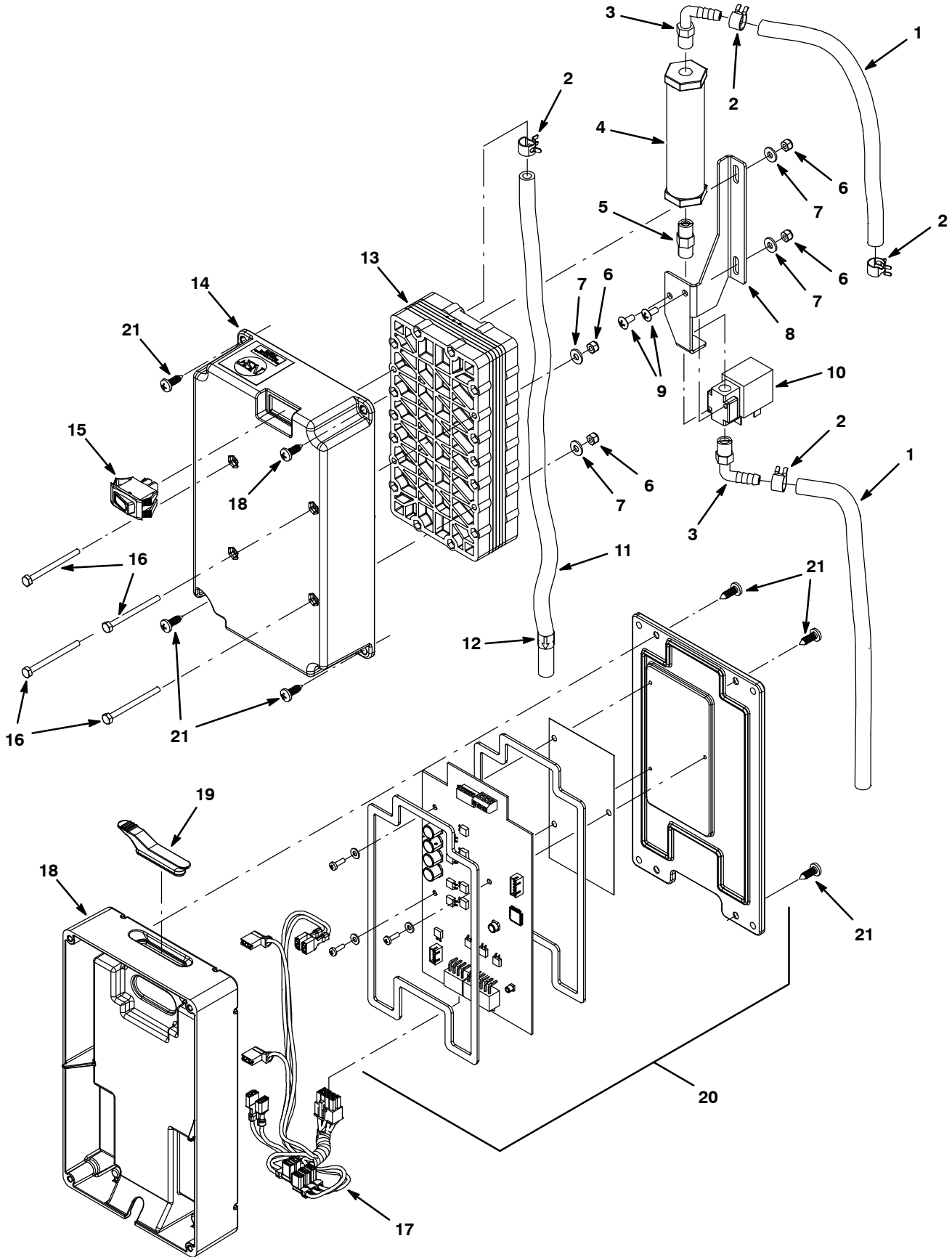
▽ ASSEMBLY

▲ INCLUDED IN ASSEMBLY

● RECOMMENDED STOCK ITEMS

STANDARD PARTS

ec-H2O MODULE ASSEMBLY BREAKDOWN, 9007970 (S/N 80006004-)



ec-H2O MODULE ASSEMBLY BREAKDOWN, 9007970 (S/N 80006004--)

Ref.	Part No.	Serial Number	Description	Qty.
▽	9007970	(80006004--)● Module Kit, Replmt [Ec-H2o]	1
▲▽	9006324	(80006004--)● Ec-H2o Kit [Module B, Plumbing]	1
▲▲	1 578820000	(80002319--) Hose, Pvc, Brd, 0.25id 0.44od 157.2l,Clr	1
▲▲	2 603654	(80002319--) Clamp, Hose, Ear, .44d [Ctb]	4
▲▲	3 1037595	(80002319--) Fitting, Plstc, E90, Bm04/Pm02, Nyl	2
▲▲	4 1062006	(80002319--)● Electrode, Cylindrical	1
▲▲	5 1045030	(80002319--) Fitting, Brs, Str, Pm02/Pm02	1
▲▲	6 33932	(80006004--) Nut, Hex, Lock, M4 X 0.70, NI, Ss	4
▲▲	7 41579	(80006004--) Washer, Flat, 08, Ss	4
▲▲	8 1048490	(80006004--) Bracket, Valve	1
▲▲	9 140801	(80002319--) Screw, Trs, Phl, 08-32 X 0.38, Ss	2
▲▲	10 1013236	(80002319--)● Valve, Shutoff, Ele, 24vdc	1
▲▲	11 9006574	(80006004--) Hose, Pvc, Brd, 0.25id 0.45od, 65l, Clr	1
▲▲	12 1049637	(80002319--) Label, Direction [Ec-H2o]	1
▲▲	13 1057637	(80006004--)● Electrode, 5 Plate, High Flow	1
▲▲	14 1051519	(80006004--) Housing, Upper, Module, High Flow	1
▲▲	15 1044393	(80002319--)● Switch, Rocker, Spst, Mom,	1
▲▲	16 32509	(80006004--) Screw, Hex, M4 X 0.70 X 50, Ss	4
▲▲	17 1049489	(80006004--)● Harness, Main, Controller [Ec-H2o, P3]	1
▲	18 1037032	(80002319--) Housing, Bottom	1
▲	19 1054776	(80006004--)● Grommet, Blind	1
▲	20 9007969	(80002319--)● Controller Kit, Replmt [Ec-H2o]	1
▲	21 1018155	(80002319--) Screw, Pan, Phl, M5 X 0.80 X 16, Tcut,Ss	8

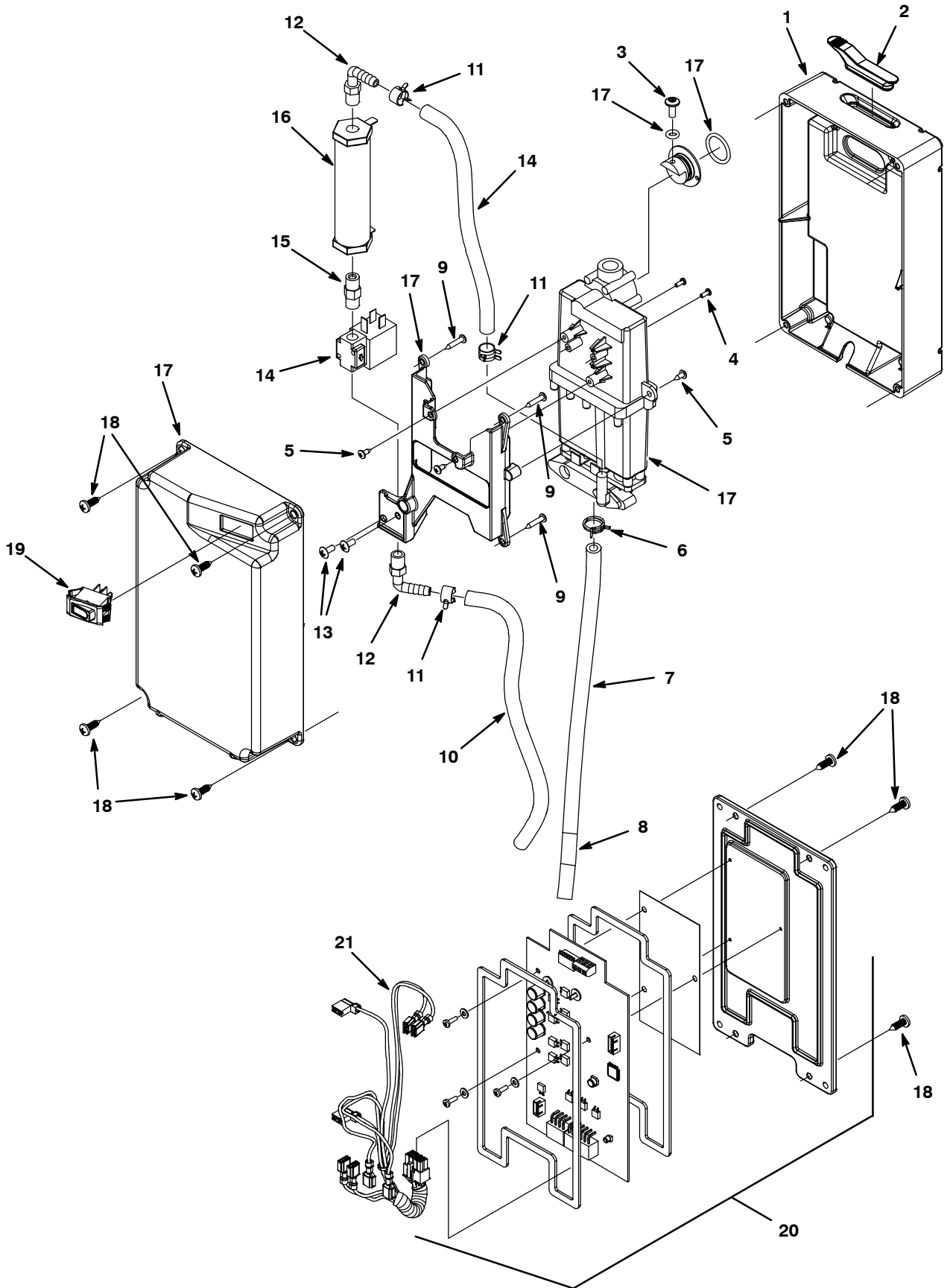
▽ ASSEMBLY

▲ INCLUDED IN ASSEMBLY

● RECOMMENDED STOCK ITEMS

STANDARD PARTS

ec-H2O MODULE ASSEMBLY BREAKDOWN, 9006161 (S/N 80002319-80006003)



ec-H2O MODULE ASSEMBLY BREAKDOWN, 9006161 (S/N 80002319-80006003)

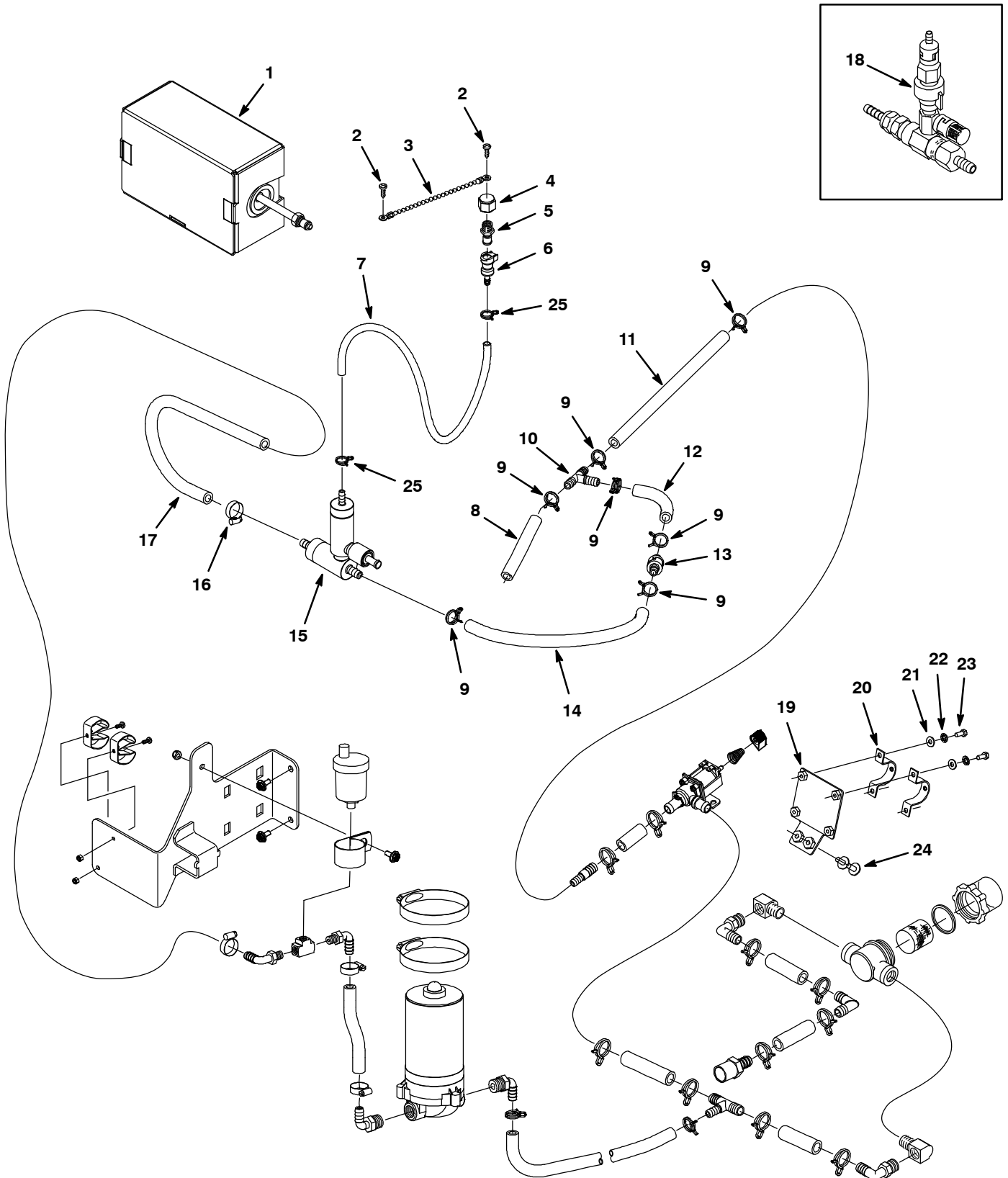
Ref.	Part No.	Serial Number	Description	Qty.
▽	9006161	(80002319-80006003)	● Module Kit, Replmt [Ec-H2o]	1
▲	1 1037032	(80002319-) Housing, Bottom	1
▲	2 1054776	(80002319-	● Grommet, Blind	1
▲	3 609062	(80002319-80006003)) Screw, Trs, Phl, 08-32 X 0.38, Ss	1
▲	4 578860	(80002319-80006003)) Screw, Pan, Phl, 04-40 X 0.31, Pl	2
▲	5 3701.6	(80002319-80006003)) Screw, Pan, Phl, 06-32 X 0.38, Shtmtl,Ss	4
▲	6 613735	(80002319-	● Clamp, Hose, Wir, .40 - .42, Yel	1
▲	7 9004606	(80002319-80006003)) Hose, Pvc, Brd, .25id .45od 46l, Clr	1
▲	8 1049637	(80002319-	● Label, Direction [Ec-H2o]	1
▲	9 140826	(80002319-80006003)) Screw, Pan, 06-32 X 0.75, Fmg/Ab, Ss	4
▲	10 578820000	(80002319-) Hose, Pvc, Brd, 0.25id 0.44od 157.2l,Clr	1
▲	11 603654	(80002319-) Clamp, Hose, Ear, .44d [Ctb]	4
▲	12 1037595	(80002319-) Fitting, Plstc, E90, Bm04/Pm02, Nyl	2
▲	13 140801	(80002319-80006003)) Screw, Trs, Phl, 08-32 X 0.38, Ss	2
▲	14 1013236	(80002319-	● Valve, Shutoff, Ele, 24vdc	1
▲	15 1045030	(80002319-) Fitting, Brs, Str, Pm02/Pm02	1
▲	16 1038159	(80002319-	● Electrode, Cylindrical	1
▲	17 N/A	(80002319-80006003)	● Part Not Sold Separately - Order E-Cell Upgrade Kit P/N 9006324	1
▲	18 1018155	(80002319-) Screw, Pan, Phl, M5 X 0.80 X 16, Tcut,Ss	8
▲	19 1044393	(80002319-	● Switch, Rocker, Spst, Mom,	1
▲	20 9006159	(80002319-	● Controller Kit, Replmt [Ec-H2o]	1
▲	21 1044399	(80002319-80006003)	● Harness, Main, Controller [Ec-H2o, P3]	1

▽ ASSEMBLY

▲ INCLUDED IN ASSEMBLY

● RECOMMENDED STOCK ITEMS

SOLUTION GROUP, FaST MODEL

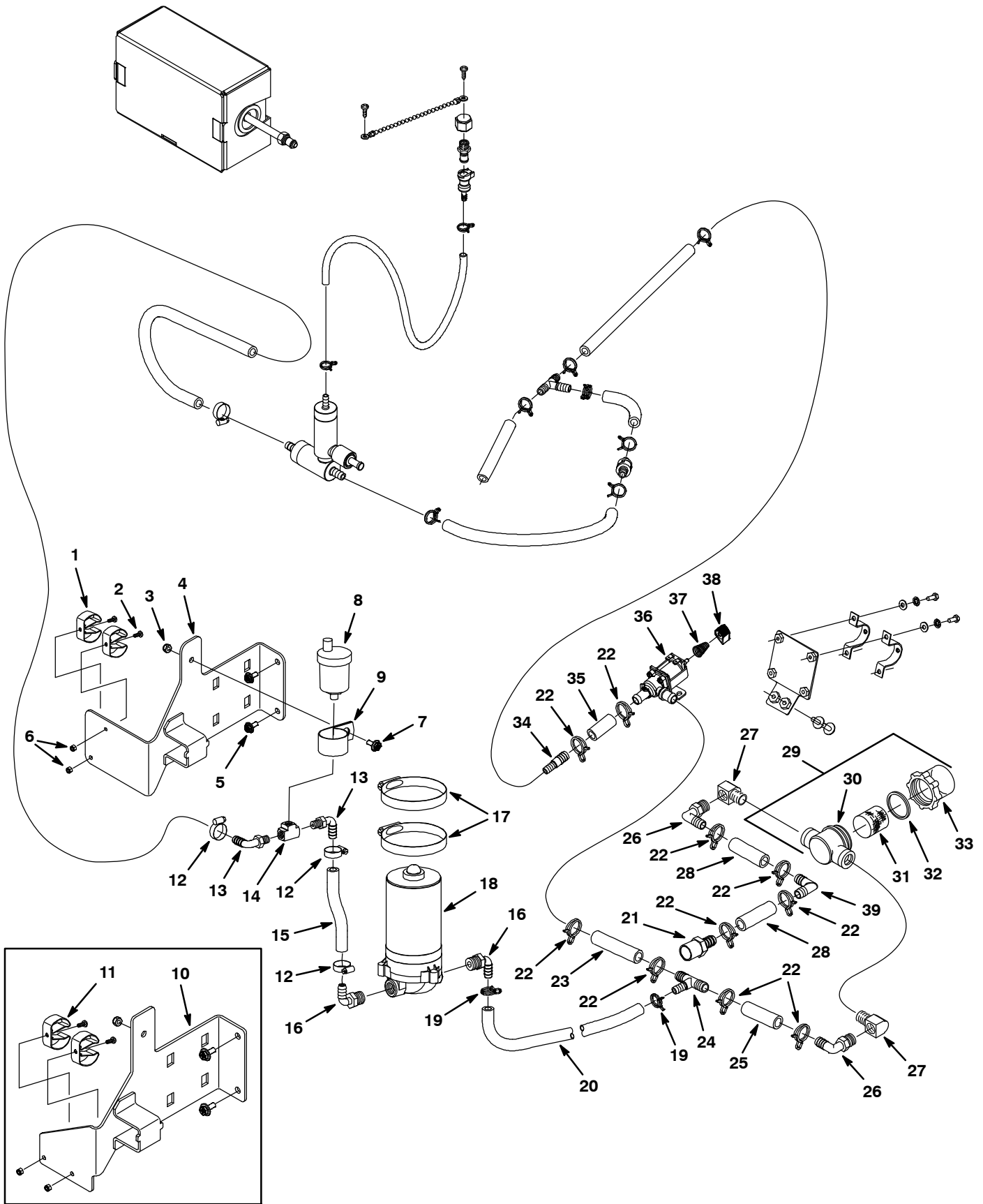


SOLUTION GROUP, FaST MODEL

Ref.	Part No.	Serial Number	Description	Qty.
1	1017019	(80000000-)● Detergent Pkg, 2 Liter, Sgl [Mp]	1
1	1017025	(80000000-)● Detergent Pkg, 2 Liter, Sgl [Mpd]	1
2	1018155	(80000000-) Screw, Pan, M5 X 0.8 X16, Ss, Tcut	2
3	621443	(80000000-) Chain, Ball, #10, 157mml, Ss	1
4	1005435	(80000000-) Fitting, Plstc, Cap, Pf04, Pipe	1
5	1002899	(80000000-) Fitting, Plstc, Str, Pm04, Cplg, Mal	1
6	1002898	(80000000-)● Fitting, Plstc, Str, Bm04, Cplg, Fem	1
7	613947	(80000000-) Hose, Clr, 0.25id 26.0l	1
8	606317	(80000000-) Hose, PVC,Brd, 0.38id 0.60od 019.5l, Clr	1
9	607775	(80000000-) Clamp, Hose, Wir, .63 - .66, Blk	7
10	160310	(80000000-) Fitting, Plstc, Tee, Bm06/Bm06/Bm06	1
11	606318	(80000000-) Hose, PVC,Brd, 0.38id 0.60od 036.5l, Clr	1
12	606362	(80000000-) Hose 3/8idx5/8odx6.5 (611254)	1
13	1015455	(80000000-)● Valve, Check, 0005psi Bm06/Bm06	1
14	613442	(80000000-) Hose 3/8idx5/8od Clear 611254 Ft 1.292	1
15	9003906	(80001391-)● Fast Kit, Injector, Ci [T3/Ss3 Fast li+] (43 & 50 CM Models - See Breakdowns)	1
15	9003907	(80000000-)● Fast Kit, Injector[T5 60/65cm, Fast li+] (60 CM Model - See Breakdowns)	1
16	54333	(80000000-) Clamp, Hose, Wormdrive, 0.31-0.88d, .31w	1
17	613722	(80000000-) Hose .38 Id X 21" Pvc Braided	1
18	9003801	(80000000-80001390)● Fast Kit, Conv, Ci [T3/Ss3 Fast li+] (See Breakdowns)	1
19	1029533	(80000000-) Bracket, Mtg, Fltr	1
20	605056	(80000000-) Bracket, Mtg, Fltr	2
21	01683	(80000000-) Washer, Flat, #10, Ss	4
22	07514	(80000000-) Washer, Lock, Int, #10, Ss	4
23	09738	(80000000-) Screw, Hex, M5 X 0.8 X 12, Ss	4
24	1034731	(80000000-) Screw, Hex, M6 X 1.00 X 16, Ss, Sems	2
25	613735	(80000000-) Clamp, Hose, Wir, .40 - .42, Yel	2

● RECOMMENDED STOCK ITEMS

SOLUTION GROUP, FaST MODEL – CONT'D



SOLUTION GROUP, FaST MODEL, CONT'D

Ref.	Part No.	Serial Number	Description	Qty.
1	573073	(80001391-) Clip, Grip, Hose, 1.00-1.38, Zn	2
2	49697	(80000000-) Screw, Pan, M4 X 0.7 X 10, Ss	2
3	08712	(80000000-) Nut, Hex, Lock, M6 X 1.0, Ss, NI	1
4	1037242	(80001391-) Bracket Wldt, Mtg, Pump [Fast li+]	1
5	1034731	(80000000-) Screw, Hex, M6 X 1.00 X 16, Sems, Ss	2
6	33932	(80000000-) Nut, Hex, Lock, M4 X 0.7, NI, Ss	2
7	1034731	(80000000-)● Screw, Hex, M6 X 1.00 X 16, Sems, Ss	1
8	1017386	(80000000-)● Valve, Air Vent, Float Type	1
9	53466	(80000000-) Clamp, Cable, Stl, 1.50d X 1.00w, 1h	1
10	1020273	(80000000-80001390)) Bracket Wldt, Mtg, Pump [Fast]	1
11	1014295	(80000000-80001390)) Clip, Grip, Hose, 0.75-1.12, Blk Vyl, Stl	2
12	54333	(80000000-) Clamp, Hose, Wormdrive, 0.31-0.88d, .31w	3
13	1005564	(80000000-) Fitting, Plstc, E90, Bm06/Pm02, Nyl	2
14	150705	(80000000-) Fitting, Brs, Tee, Pf02/Pf02/Pf02	1
15	613724	(80000000-) Hose .38 Id X 10" Pvc Braided	1
16	1005630	(80000000-) Fitting, Plstc, E90, Bm06/Pm06, Nyl	2
17	43555	(80000000-) Clamp, Hose, Wormdrive, 2.50-3.50d, .50w	2
18	1014282	(80000000-)● Pump, Soltn, Ele, 24vdc, 60psi, Packard	1
19	607775	(80000000-) Clamp, Hose, Wir, .63 - .66, Blk	2
20	613450	(80000000-) Hose 3/8idx5/8od Clear 611254 Ft 2.000	1
21	1023581	(80000000-) Fitting, Plstc, Str, Bm08/Pm08, Nyl	1
22	607776	(80000000-)● Clamp, Hose, Wir, .73 - .77, Silver	10
23	613514	(80000000-) Tube, 0.50id X 0.75od Vyl 0.34ft[611259]	1
24	630372	(80000000-) Fitting, Plstc, Tee, Bm06/Bm08/Bm08, Br	1
25	140957	(80000000-) Hose, Vyl, Clr, .50id .75od 2.5l (611259)	1
26	1017532	(80000000-) Fitting, Plstc, E90, Bm08/Pm06	2
27	150420	(80000000-) Fitting, Brs, E90, Pf06/Pm06 [Taped]	2
28	140957	(80000000-) Hose, Pvc, Clr, 0.50id 0.75od 002.5l	2
▽	29	1005302	(80000000-)● Filter, In-Line, Pf06/Pf06, 80 Mesh	1
▲	30	613993	(80000000-)● Housing, Top, F/1005302	1
▲	31	1005304	(80000000-)● Screen, Fltr, 80 Mesh	1
▲	32	613992	(80000000-)● Gasket [Viton, F/1005302]	1
▲	33	613991	(80000000-)● Bowl, Clr, Short, F/1005302	1
	34	612774	(80000000-) Fitting, Plstc, Str, Bm06/Bm08	1
	35	1015071	(80000000-) Hose, Afmkt, Pvc, Clr 0.50id 01ft	1
▽	36	1016595	(80000000-)● Valve, 1/4-20 [Liq Dispensing]	1
▲		614265	(80000000-)● Valve Kit, Water [Viton Diaphragm]	1
	37	1017091	(80000000-)● Spring, Cmpr, .48d, .036w, .75l	1
	38	1013442	(80000000-)● Knob, Valve, Indicator, Blk	1
	39	63987-1	(80000000-) Fitting, Plstc, E90, Bm08/Bm08	1
N/S	130773	(80000000-) Tie, Cable, Nyl, 11.0l, .14w, 3.0 Max. D	2

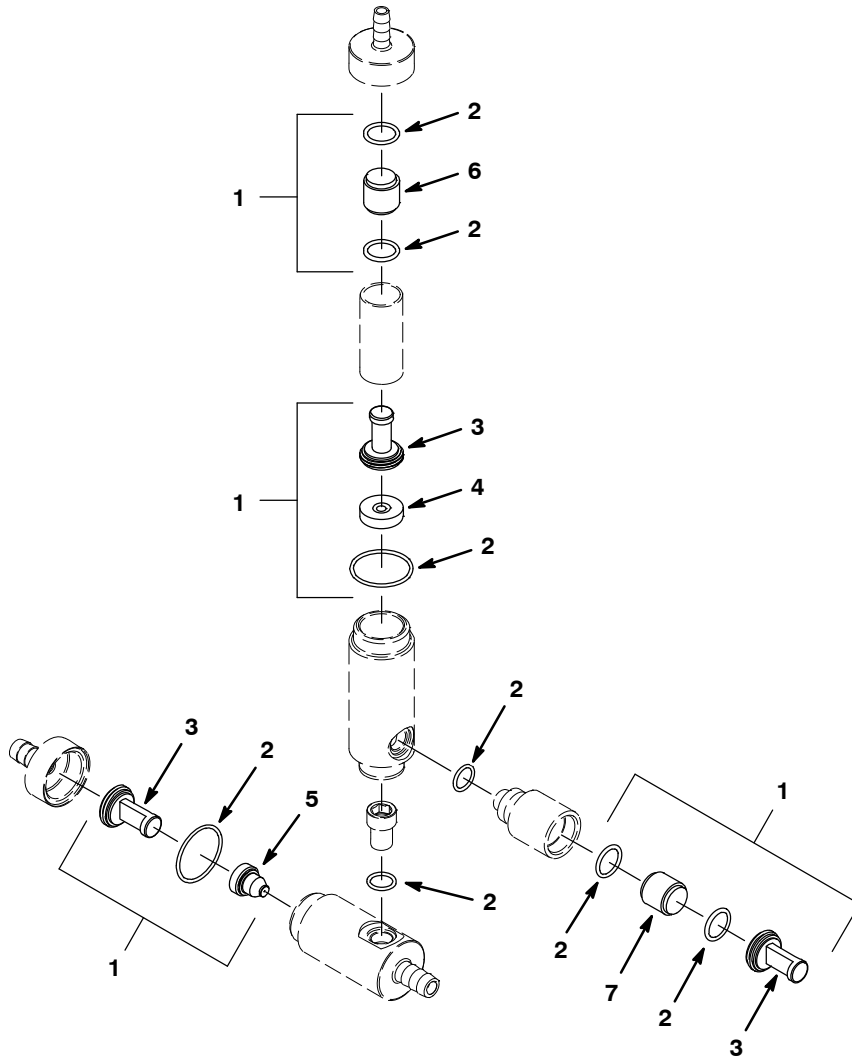
▽ ASSEMBLY

▲ INCLUDED IN ASSEMBLY

● RECOMMENDED STOCK ITEMS

STANDARD PARTS

9003906 FAST INJECTOR ASSEMBLY BREAKDOWN (S/N 80001391-) - SINGLE DISK 43 cm & 50 cm MODELS



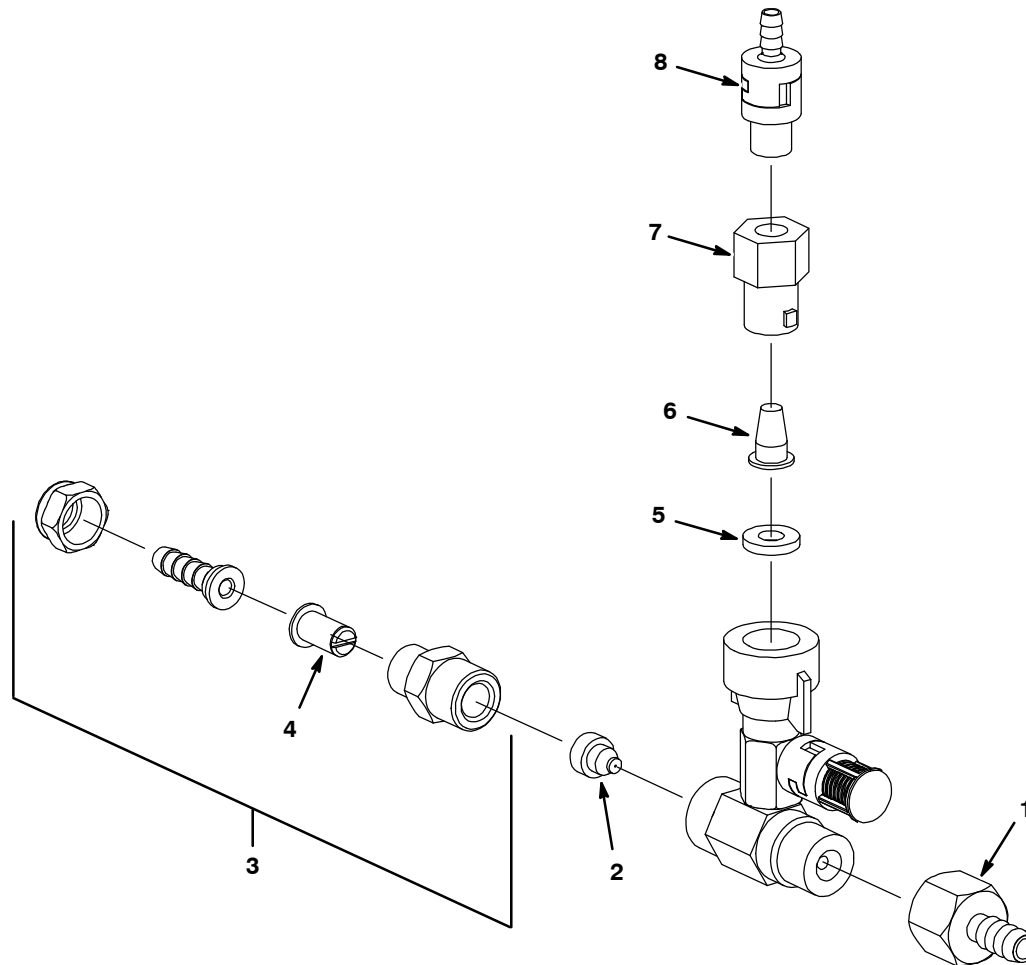
Ref.	Part No.	Serial Number	Description	Qty.	
▽	9003906	(80001391-) ● Fast Kit, Injector, Ci [T3/Ss3 Fast li+]	1	
▲	1	9003802	(80001391-) ● FaST Kit, Ci, Injector Rebuild [FaST II+]	1
▲	2	9003008	(80001391-) ● FaST Kit, Ci, Injector Seals [FaST II+]	1
▲	3	9003009	(80001391-) ● FaST Kit, Ci, Injector Filters [FaST II+]	1
▲	4	1039974	(80001391-)) Plate Assy, Orifice, 0.0065ld, Blk	1
▲	5	1039988	(80001391-)) Orifice, Plug, .027	1
▲	6	1030444	(80001391-)) Valve, Check, 0002psi, White, [FaST II+]	1
▲	7	1030441	(80001391-)) Valve, Check, 0005psi, Brown, [FaST II+]	1

▽ ASSEMBLY

▲ INCLUDED IN ASSEMBLY

● RECOMMENDED STOCK ITEMS

9003801 FAST INJECTOR ASSEMBLY BREAKDOWN (S/N 8000000-80001390) - SINGLE DISK 43 cm & 50 cm MODELS



Ref.	Part No.	Serial Number	Description	Qty.
▽	9003801	(80000000-80001390)	Fast Kit, Conv, Ci [T3/Ss3 Fast li+]	1
▲	1	1014276	(80000000-80001390) Fitting, Brs, Str, Bm06/Pf08	1
▲	2	1014470	(80000000-80001390)● Plug, Orifice, 0.022	1
▲▽	3	1013411	(80000000-80001390)● Filter Assy, 50 Mesh	1
▲▲	4	1006447	(80000000-80001390)● Vr, Filter, Screen, 050 Mesh .59D .8L Ss	1
▲	5	1039974	(80000000-80001390)● Plate Assy, Orifice, 0.0065ld, Blk	1
▲	6	1029355	(80000000-80001390)● Vr, Filter, Screen, 200 Mesh .59D .8L Ss	1
▲	7	1005507	(80000000-80001390) Fitting, Plstc, Body, Spray, Pf04	1
▲	8	1014254	(80000000-80001390)● Valve, Check, 0002psi Bm04/Pm04	1

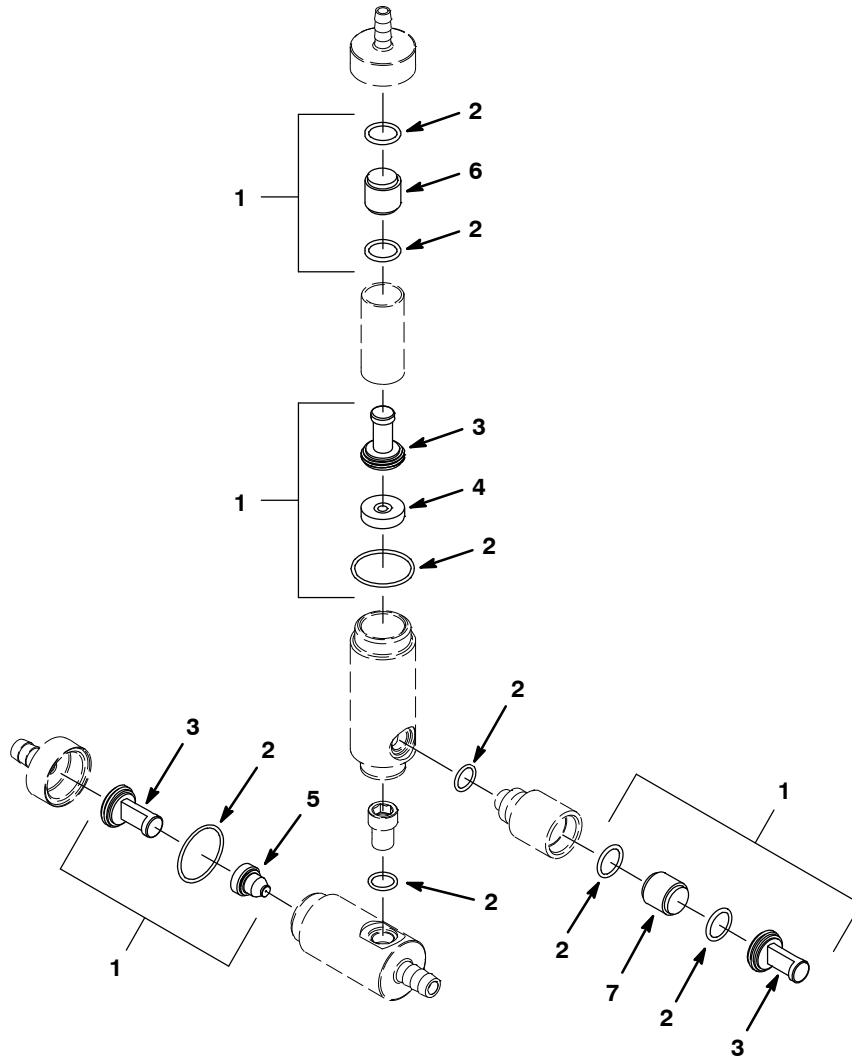
▽ ASSEMBLY

▲ INCLUDED IN ASSEMBLY

● RECOMMENDED STOCK ITEMS

STANDARD PARTS

9003907 FAST INJECTOR ASSEMBLY BREAKDOWN – DUAL DISK 60 cm MODEL



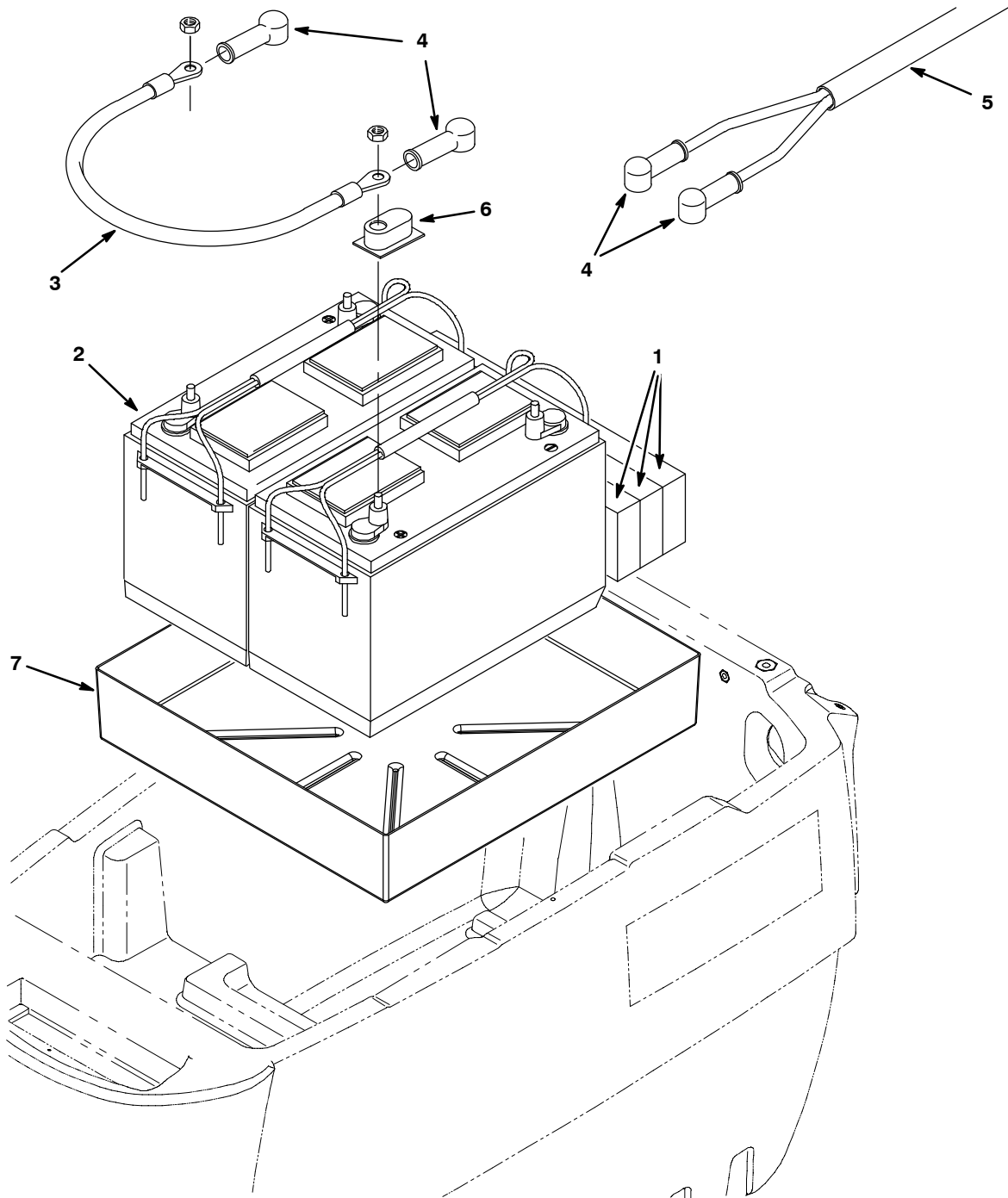
Ref.	Part No.	Serial Number	Description	Qty.	
▽	9003907	(10348538–) ● Fast Kit, Injector[T5 60/65cm, Fast li+]	1	
▲	1	9003811	(10348538–) ● Fast Kit, Ci[Inj Reblid, T5 60/65cm, li+]	1
▲	2	9003008	(10348538–) ● Fast Kit, Ci, Injector Seals [Fast li+]	1
▲	3	9003009	(10348538–) ● Fast Kit, Ci, Injector Filters[Fast li+]	1
▲	4	1032284	(10348538–) Plate Assy, Orifice, 0.007id, Red	1
▲	5	1039989	(10348538–) Plug, Orifice, 0.030, Ss [Fast li+]	1
▲	6	1030444	(10348538–) Valve, Check, 0002psi [Fast li+]	1
▲	7	1030441	(10348538–) Valve, Check, 0005psi [Fast li+]	1

▽ ASSEMBLY

▲ INCLUDED IN ASSEMBLY

● RECOMMENDED STOCK ITEMS

BATTERY AND CABLE GROUP, 12V/105 AH, 43 cm BRUSH ASSIST MODEL

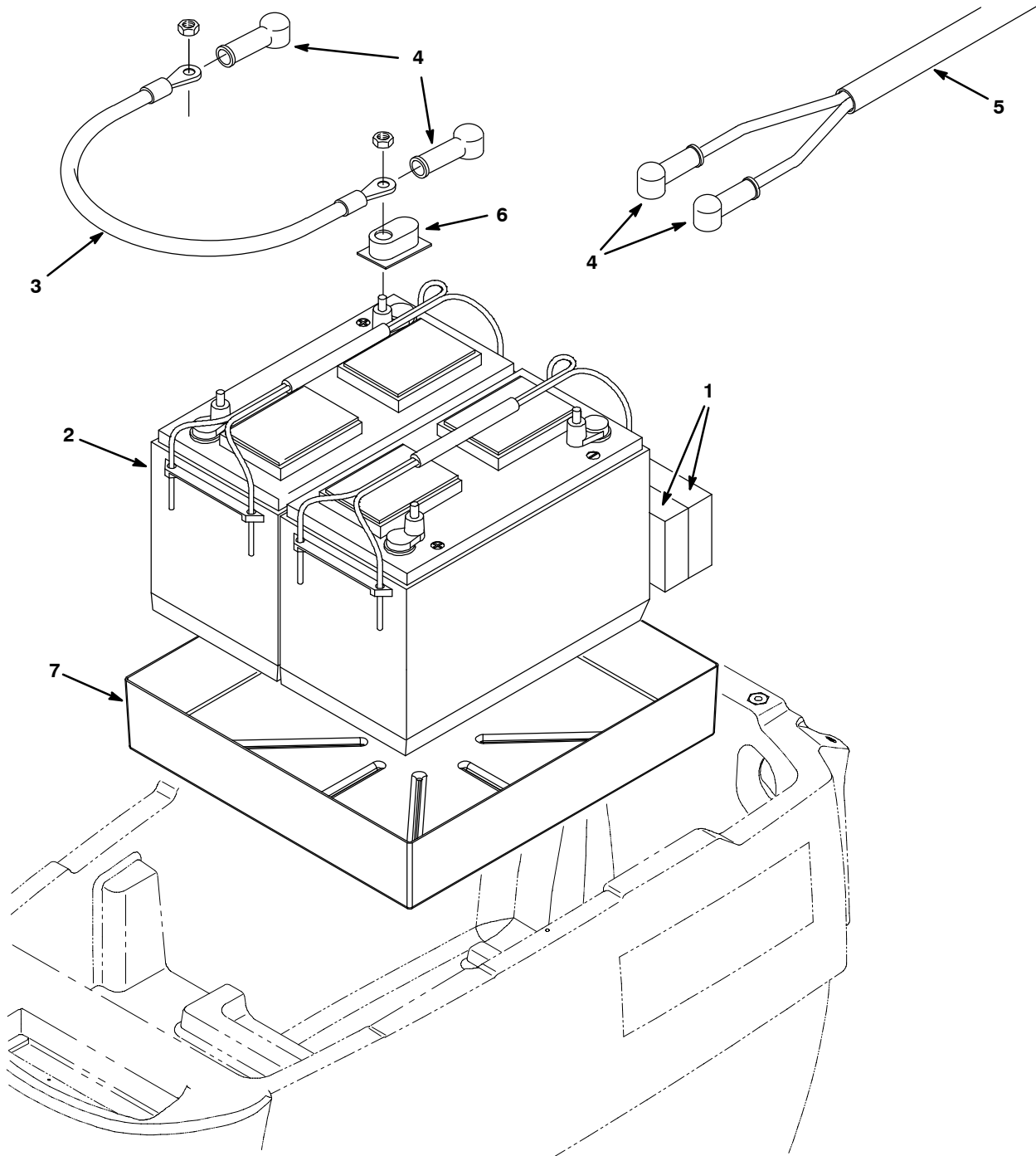


Ref.	Part No.	Serial Number	Description	Qty.
1	630375	(80000000-)● Spacer, Battery, 1.25 X 3.25 X 13.7 Foam	3
2	578426	(80000000-)● Battery, 12vdc, 0530cca, 105ah [27tmx]	2
3	130364	(80000000-)● Cable, 06ga 15.0l Blk .31ring /.38ring	1
4	611221	(80000000-)● Boot, Terminal, Battery, 25.4mm, Blk	4
5	1015941	(80000000-) Harness, Battery	1
6	45962	(80000000-)● Cap, Plstc, .04 1.38 X 2.30 0.5l	4
7	1059486	(80000000-)● Tray, Battery [Ss3 / T3]	1

● RECOMMENDED STOCK ITEMS

STANDARD PARTS

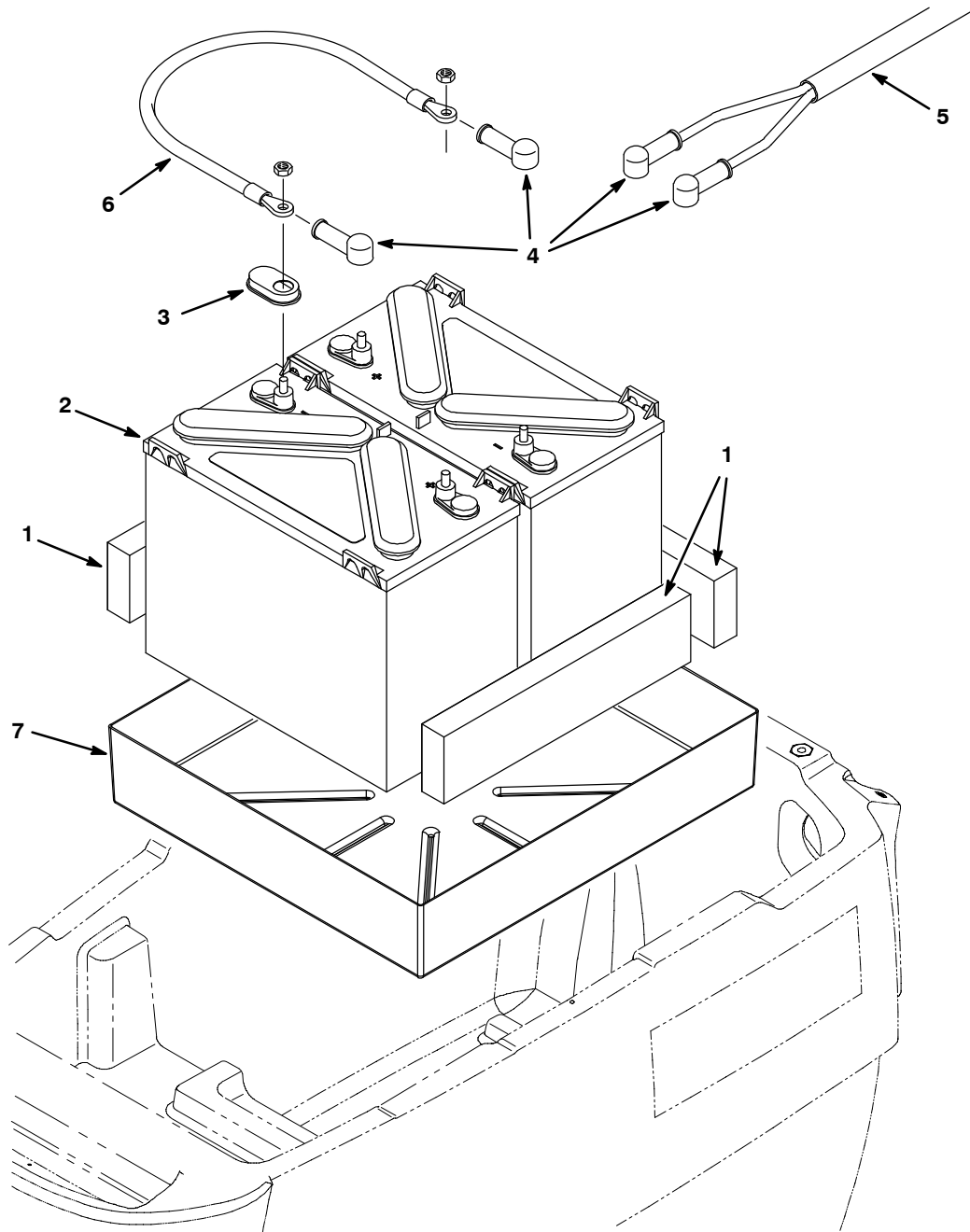
BATTERY AND CABLE GROUP, 12V/130 Ah, 50 cm BRUSH ASSIST MODEL



Ref.	Part No.	Serial Number	Description	Qty.
1	630375	(80000000-)● Spacer, Battery, 1.25 X 3.25 X 13.7 Foam	2
2	130869	(80000000-)● Battery, 12vdc, Cca, 130ah(30xhs-Wnt)	2
3	130364	(80000000-)● Cable, 06ga 15.0l Blk .31ring /.38ring	1
4	611221	(80000000-)● Boot, Terminal, Battery, 25.4mm, Blk	4
5	1015941	(80000000-) Harness, Battery	1
6	45962	(80000000-)● Cap, Plstc, .04 1.38 X 2.30 0.5l	4
7	1059486	(80000000-)● Tray, Battery [Ss3 / T3]	1

● RECOMMENDED STOCK ITEMS

BATTERY AND CABLE GROUP, 12V/155 AH, 50 cm / 60cm DRIVE MODEL



Ref.	Part No.	Serial Number	Description	Qty.
	1	630375	(80000000-)● Spacer, Battery, 1.25 X 3.25 X 13.7 Foam	3
▽	2	1015046	(80000000-)● Battery, 12vdc, 155ah, Wet	2
▲	3	1041030	(80000000-)● Cap, Battery	4
	4	611221	(80000000-)● Boot, Terminal, Battery, 25.4mm, Blk	4
	5	1015941	(80000000-) Harness, Battery	1
	6	130364	(80000000-)● Cable, 06ga 15.0l Blk .31ring /.38ring	1
	7	1059486	(80000000-)● Tray, Battery [Ss3 / T3]	1

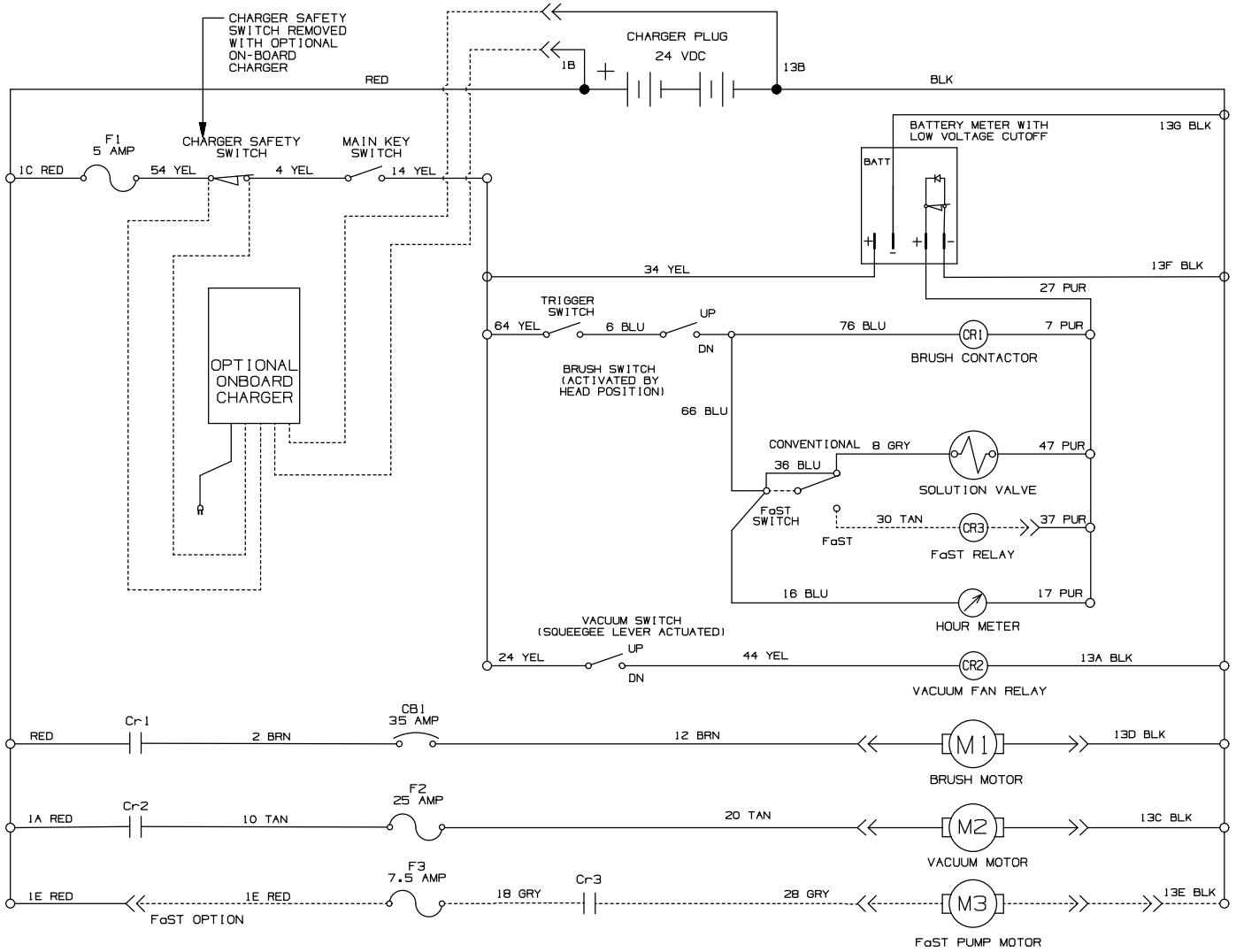
▽ ASSEMBLY

▲ INCLUDED IN ASSEMBLY

● RECOMMENDED STOCK ITEMS

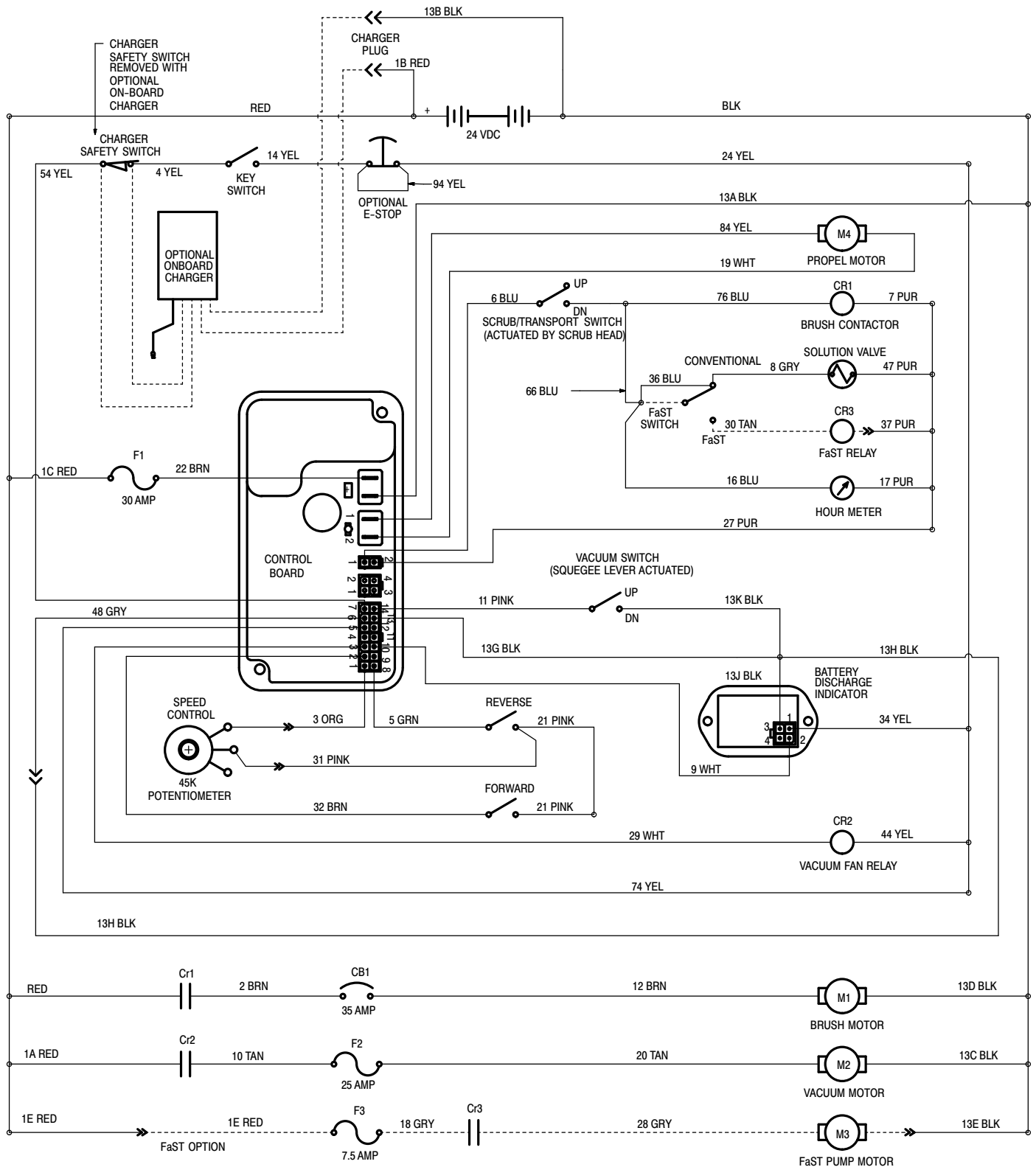
ELECTRICAL DIAGRAM, BRUSH ASSIST STANDARD & FaST MODEL

1032389



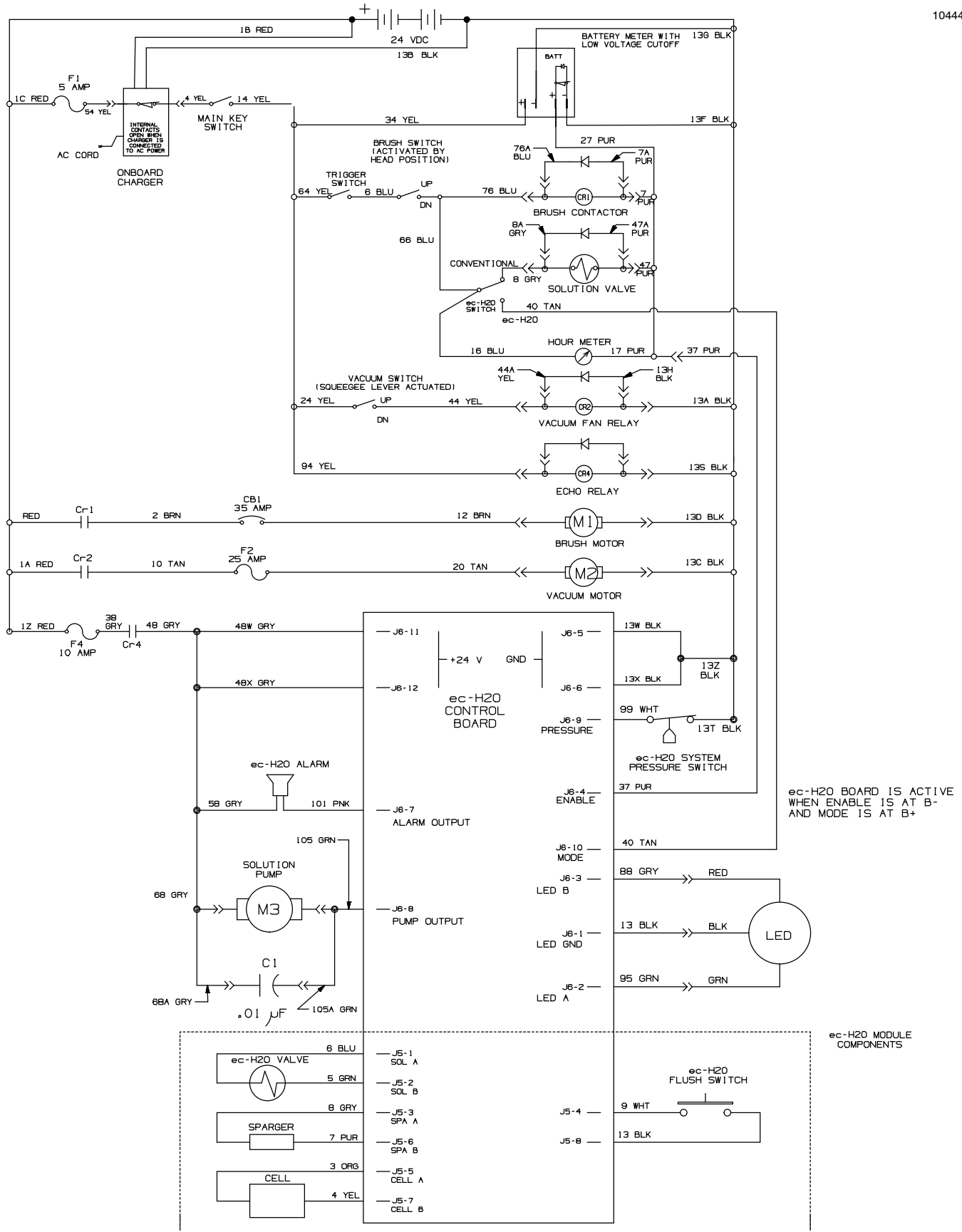
ELECTRICAL DIAGRAM, DRIVE STANDARD & FaST MODEL

1034192



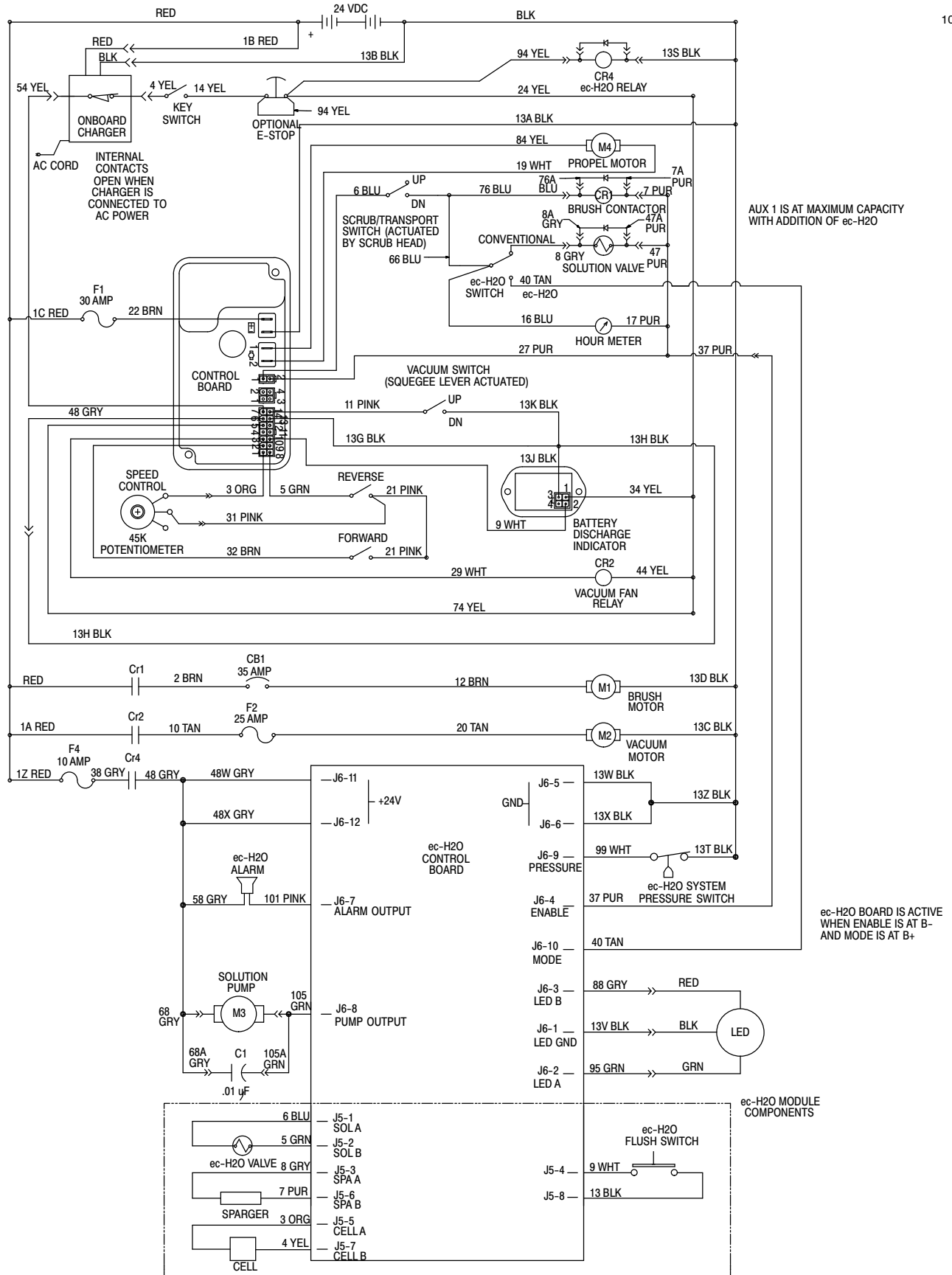
ELECTRICAL DIAGRAM, BRUSH ASSIST ec-H2O MODEL

1044426

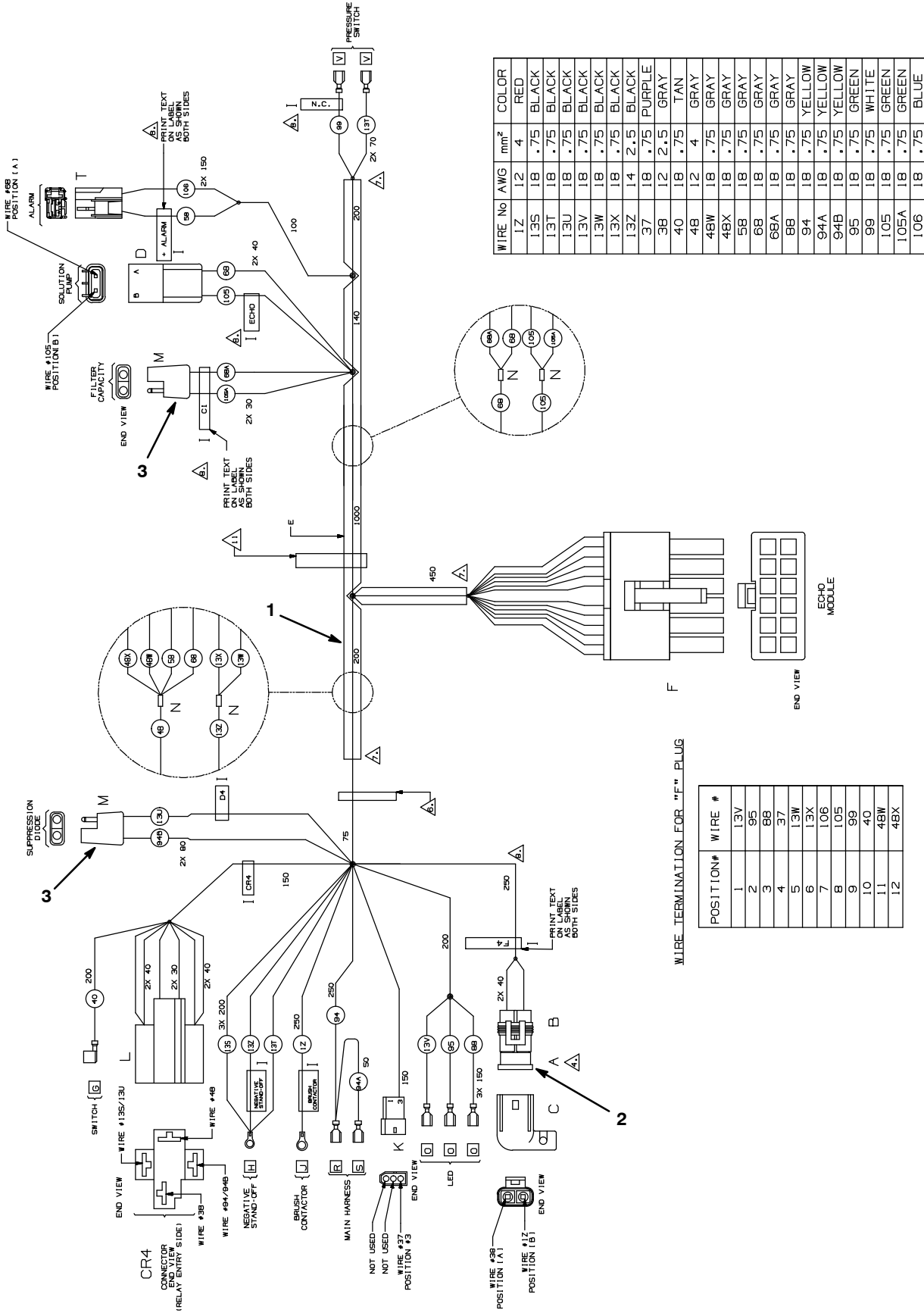


ELECTRICAL DIAGRAM, DRIVE ec-H2O MODEL

1044402



WIRE HARNESS GROUP, *ec-H2O* OPTION (S/N 8005377-)



WIRE No	AWG	mm ²	COLOR
1Z	12	4	RED
13S	18	.75	BLACK
13T	18	.75	BLACK
13U	18	.75	BLACK
13V	18	.75	BLACK
13W	18	.75	BLACK
13X	18	.75	BLACK
13Z	14	2.5	BLACK
37	18	.75	PURPLE
38	12	2.5	GRAY
40	18	.75	TAN
48	12	4	GRAY
48W	18	.75	GRAY
48X	18	.75	GRAY
58	18	.75	GRAY
68	18	.75	GRAY
68A	18	.75	GRAY
88	18	.75	GRAY
94	18	.75	YELLOW
94A	18	.75	YELLOW
94B	18	.75	YELLOW
95	18	.75	GREEN
99	18	.75	WHITE
105	18	.75	GREEN
105A	18	.75	GREEN
106	18	.75	BLUE

WIRE TERMINATION FOR "F" PLUG

POSITION#	WIRE #
1	13V
2	95
3	88
4	37
5	13W
6	13X
7	106
8	105
9	99
10	40
11	48W
12	48X

WIRE HARNESS GROUP, *ec-H2O* OPTION (S/N 80005377-)

	Ref.	Part No.	Serial Number	Description	Qty.
▽	1	1055408	(80005377-)● Harness Assy, Wire [T3e Ec-H2o]	1
▲	2	1047470	(80000000-)● Fuse, Blade, 010a, 32vdc, Red	1
▲	3	222290	(80000000-)● Diode, Ele, Plug	2

▽ ASSEMBLY

▲ INCLUDED IN ASSEMBLY

● RECOMMENDED STOCK ITEMS

WIRE HARNESS GROUP, *ec-H2O* OPTION (S/N 80002319-80005376)

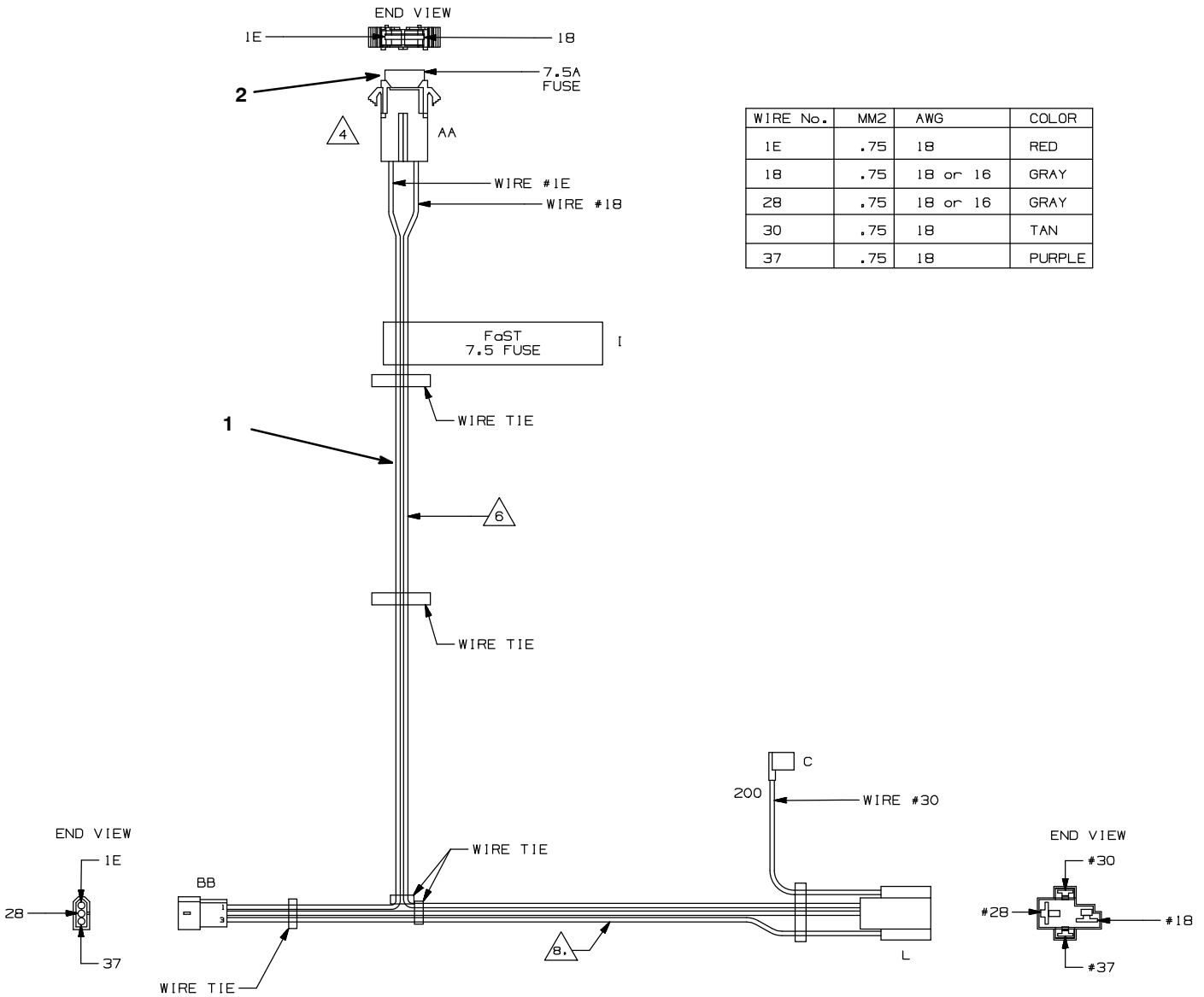
	Ref.	Part No.	Serial Number	Description	Qty.
∇	1	1048108	(80002319-80005376)● Harness Assy, Wire [T3e Ec-H2o, P3]	1
▲	2	1047470	(80000000-)● Fuse, Blade, 010a, 32vdc, Red	1
▲	3	222290	(80000000-)● Diode, Ele, Plug	2

∇ ASSEMBLY

▲ INCLUDED IN ASSEMBLY

● RECOMMENDED STOCK ITEMS

WIRE HARNESS GROUP, FAST OPTION



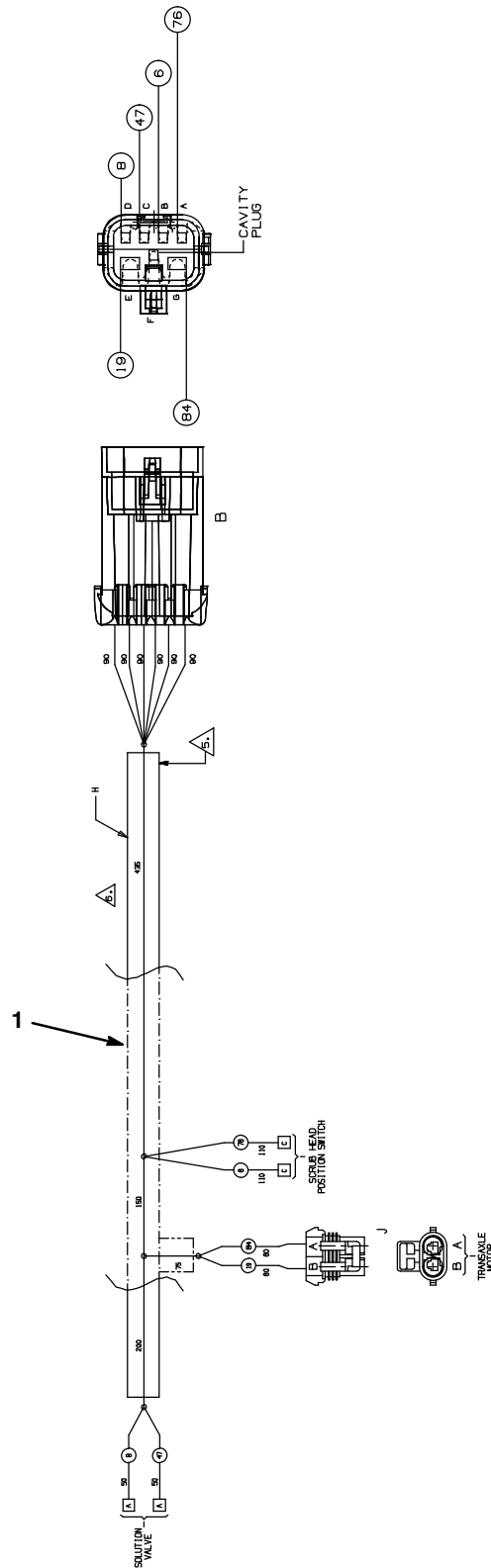
Ref.	Part No.	Serial Number	Description	Qty.
▽	1	1013644	(80000000-) ● Harness [Fast Option]	1
▲	2	1016039	(80000000-) ● Fuse, Blade, 007.5a, 32vdc	1

▽ ASSEMBLY

▲ INCLUDED IN ASSEMBLY

● RECOMMENDED STOCK ITEMS

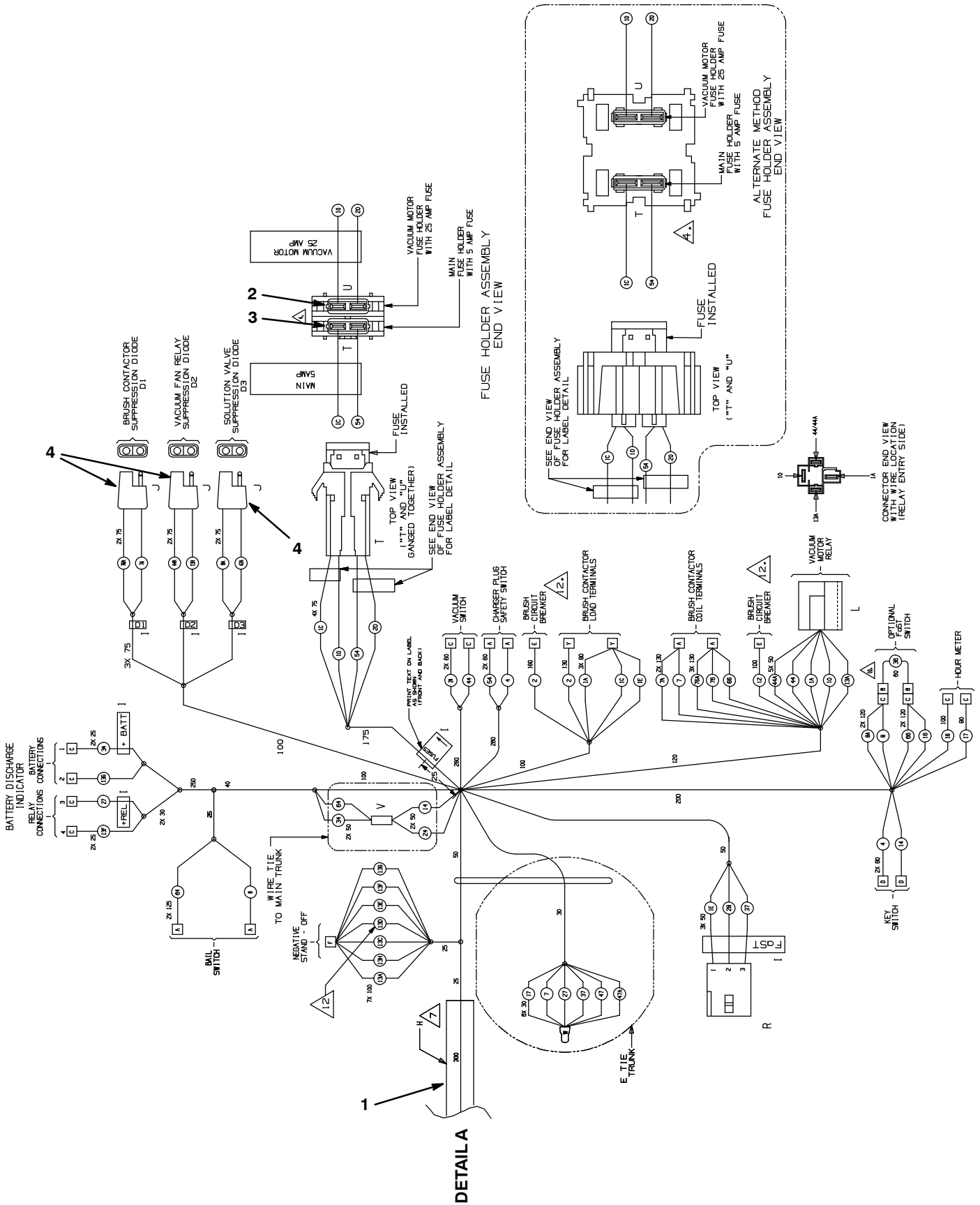
WIRE HARNESS GROUP, FRAME, DRIVE MODEL



Ref.	Part No.	Serial Number	Description	Qty.
1	1019397	(80000000-)● Harness, Frame, Drive [T3 - Na]	1

● RECOMMENDED STOCK ITEMS

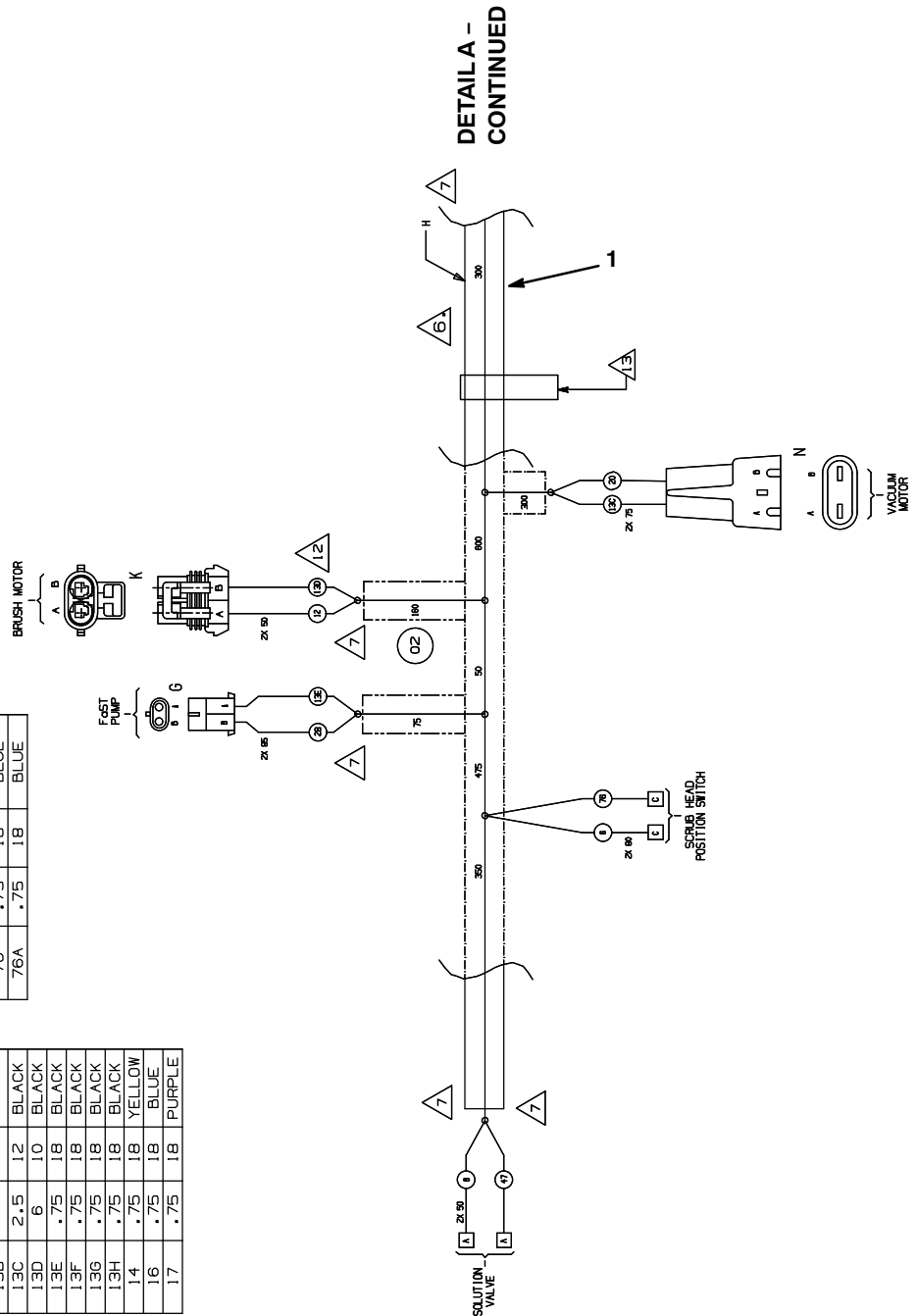
WIRE HARNESS GROUP, MAIN, BRUSH ASSIST MODEL



WIRE HARNESS GROUP, MAIN, BRUSH ASSIST MODEL - CONT'D

WIRE NO.	mm ²	AWG	COLOR
20	2.5	12	TAN
24	.75	18	YELLOW
27	.75	18	PURPLE
28	.75	18	GRAY
34	.75	18	YELLOW
36	.75	18	BLUE
37	.75	18	PURPLE
44	.75	18	YELLOW
44A	.75	18	YELLOW
47	.75	18	PURPLE
47A	.75	18	PURPLE
54	.75	18	YELLOW
64	.75	18	YELLOW
66	.75	18	BLUE
76	.75	18	BLUE
76A	.75	18	BLUE

WIRE NO.	mm ²	AWG	COLOR
1A	2.5	12	RED
1B	-	-	-
1C	.75	18	RED
1E	.75	18	RED
2	.6	10	BROWN
4	.75	18	YELLOW
6	.75	18	BLUE
7	.75	18	PURPLE
7A	.75	18	PURPLE
8	.75	18	GRAY
8A	.75	18	GRAY
10	2.5	12	TAN
12	.6	10	BROWN
13A	.75	18	BLACK
13B	-	-	-
13C	2.5	12	BLACK
13D	.6	10	BLACK
13E	.75	18	BLACK
13F	.75	18	BLACK
13G	.75	18	BLACK
13H	.75	18	BLACK
14	.75	18	YELLOW
16	.75	18	BLUE
17	.75	18	PURPLE

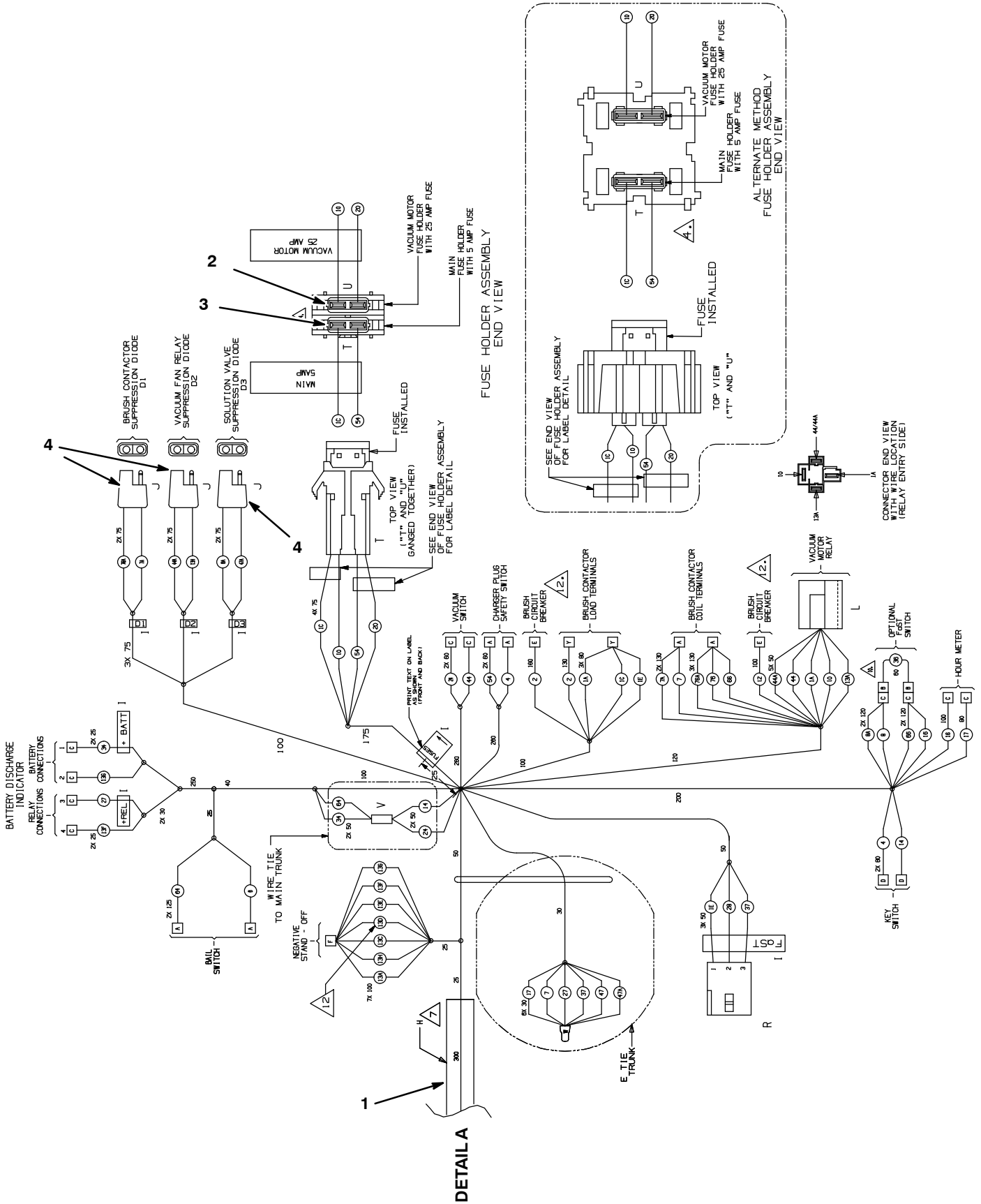


DETAIL A - CONTINUED

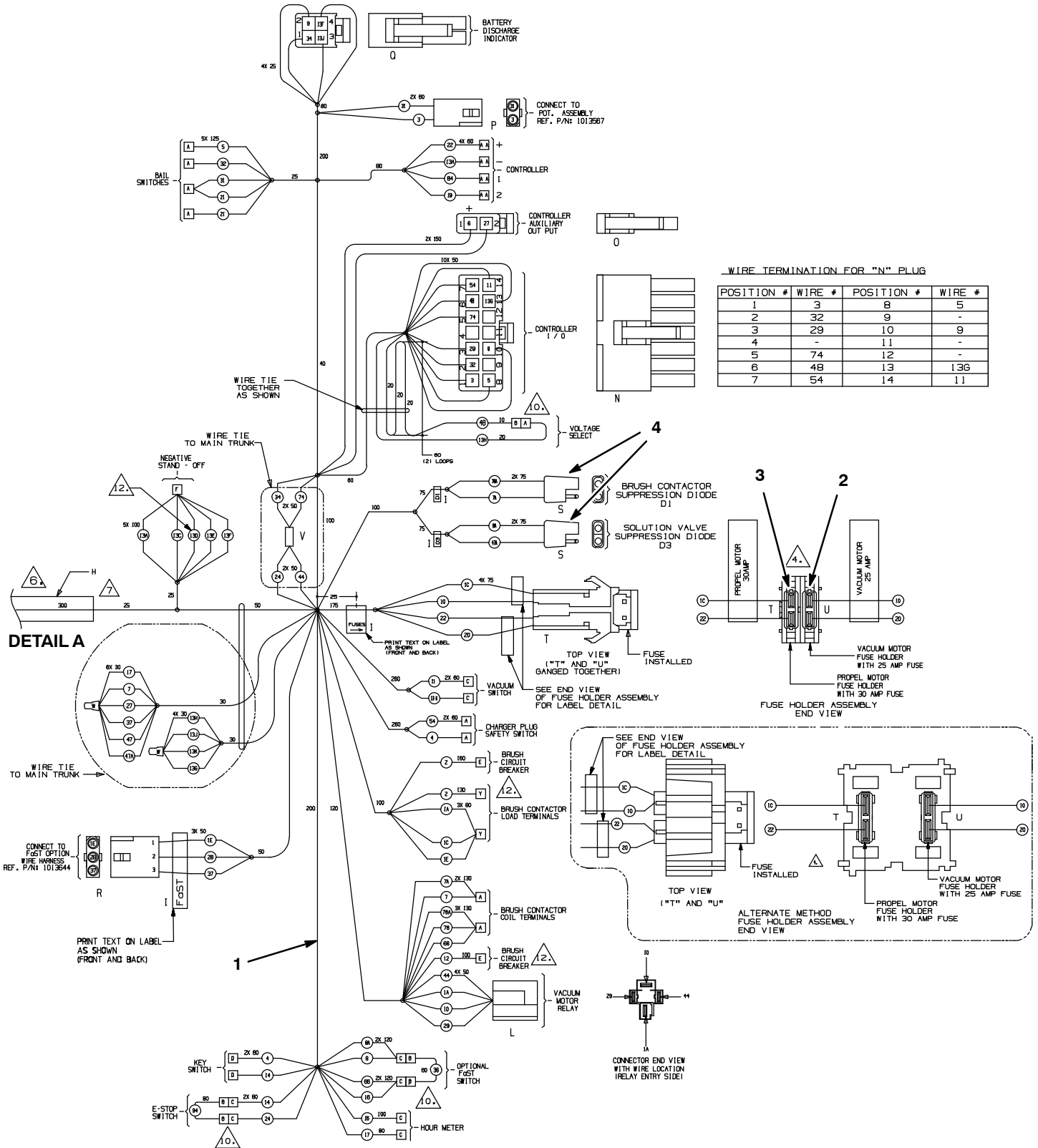
Ref.	Part No.	Serial Number	Description	Qty.
▽	1	1048155	(80000000-) ● Harness, Main, Push [T3 / U.S.]	1
▲	2	1016040	(80000000-) ● Fuse, Blade, 025a, 32vdc	1
▲	3	1016041	(80000000-) ● Fuse, Blade, 030a, 32vdc	1
▲	4	222290	(80000000-) ● Diode, Ele, Plug	3

- ▽ ASSEMBLY
- ▲ INCLUDED IN ASSEMBLY
- RECOMMENDED STOCK ITEMS

WIRE HARNESS GROUP, MAIN, BRUSH ASSIST MODEL (AUSTRALIAN MODEL)



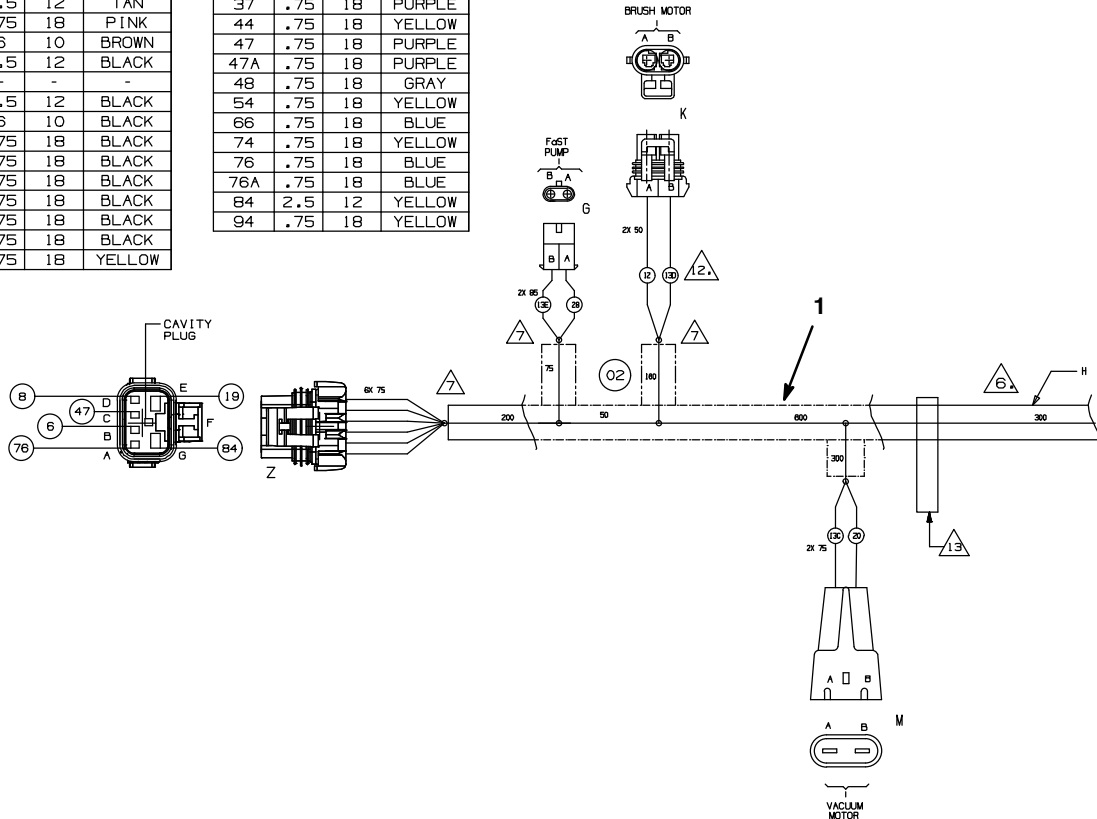
WIRE HARNESS GROUP, MAIN, DRIVE MODEL



WIRE HARNESS GROUP, MAIN, DRIVE MODEL – CONT'D

WIRE NO.	mm ²	AWG	COLOR
1A	2.5	12	RED
1B	-	-	-
1C	2.5	12	RED
1E	.75	18	RED
2	6	10	BROWN
3	.75	18	ORANGE
4	.75	18	YELLOW
5	.75	18	GREEN
6	.75	18	BLUE
7	.75	18	PURPLE
7A	.75	18	PURPLE
8	.75	18	GRAY
8A	.75	18	GRAY
9	.75	18	WHITE
10	2.5	12	TAN
11	.75	18	PINK
12	6	10	BROWN
13A	2.5	12	BLACK
13B	-	-	-
13C	2.5	12	BLACK
13D	6	10	BLACK
13E	.75	18	BLACK
13F	.75	18	BLACK
13G	.75	18	BLACK
13H	.75	18	BLACK
13J	.75	18	BLACK
13K	.75	18	BLACK
14	.75	18	YELLOW

WIRE NO.	mm ²	AWG	COLOR
16	.75	18	BLUE
17	.75	18	PURPLE
19	2.5	12	WHITE
20	2.5	12	TAN
21	.75	18	PINK
22	2.5	12	BROWN
24	.75	18	YELLOW
27	.75	18	PURPLE
28	.75	18	GRAY
29	.75	18	WHITE
31	.75	18	PINK
32	.75	18	BROWN
34	.75	18	YELLOW
36	.75	18	BLUE
37	.75	18	PURPLE
44	.75	18	YELLOW
47	.75	18	PURPLE
47A	.75	18	PURPLE
48	.75	18	GRAY
54	.75	18	YELLOW
66	.75	18	BLUE
74	.75	18	YELLOW
76	.75	18	BLUE
76A	.75	18	BLUE
84	2.5	12	YELLOW
94	.75	18	YELLOW



DETAIL A – CONTINUED

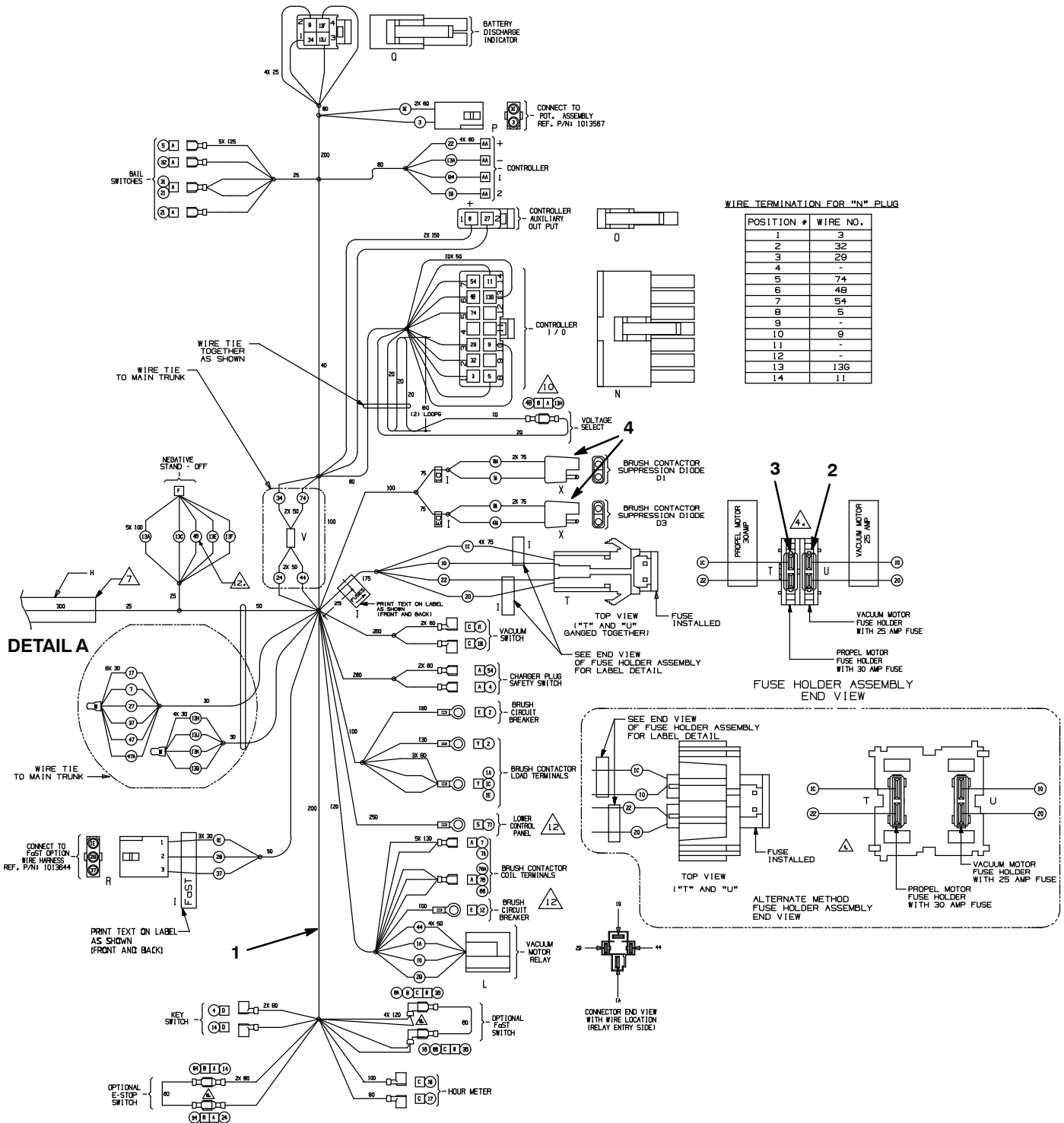
Ref.	Part No.	Serial Number	Description	Qty.
∇	1	1048131	(80000000–) ● Harness, Main, Drive [T3 – U.S.]	1
▲	2	1016040	(80000000–) ● Fuse, Blade, 025a, 32vdc	1
▲	3	1016041	(80000000–) ● Fuse, Blade, 030a, 32vdc	1
▲	4	222290	(80000000–) ● Diode, Ele, Plug	2

∇ ASSEMBLY

▲ INCLUDED IN ASSEMBLY

● RECOMMENDED STOCK ITEMS

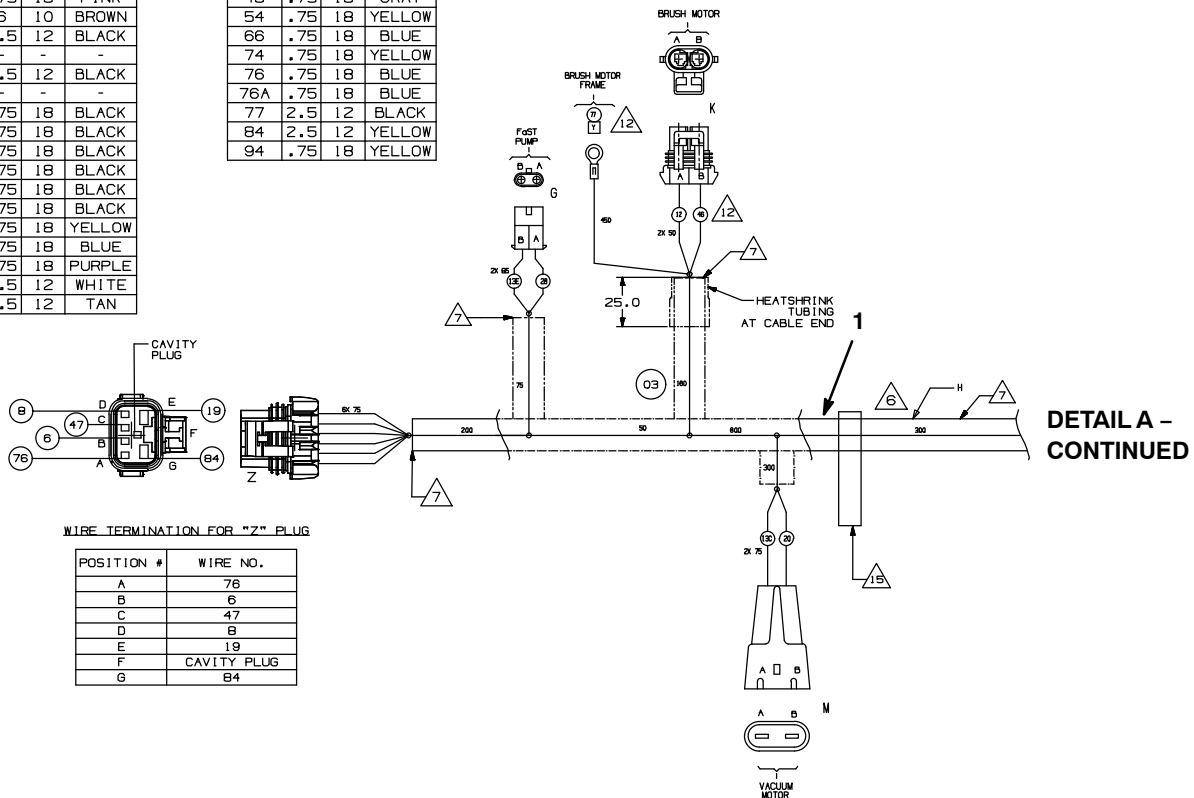
WIRE HARNESS GROUP, MAIN, DRIVE MODEL (AUSTRALIAN MODEL)



WIRE HARNESS GROUP, MAIN, DRIVE MODEL (AUSTRALIAN MODEL) – CONT'D

WIRE NO.	mm ²	AWG	COLOR
1A	2.5	12	RED
1B	-	-	-
1C	2.5	12	RED
1E	.75	18	RED
2	6	10	BROWN
3	.75	18	ORANGE
4	.75	18	YELLOW
5	.75	18	GREEN
6	.75	18	BLUE
7	.75	18	PURPLE
7A	.75	18	PURPLE
8	.75	18	GRAY
8A	.75	18	GRAY
9	.75	18	WHITE
10	2.5	12	TAN
11	.75	18	PINK
12A	6	10	BROWN
13A	2.5	12	BLACK
13B	-	-	-
13C	2.5	12	BLACK
13D	-	-	-
13E	.75	18	BLACK
13F	.75	18	BLACK
13G	.75	18	BLACK
13H	.75	18	BLACK
13J	.75	18	BLACK
13K	.75	18	BLACK
14	.75	18	YELLOW
16	.75	18	BLUE
17	.75	18	PURPLE
19	2.5	12	WHITE
20	2.5	12	TAN

WIRE NO.	mm ²	AWG	COLOR
21	.75	18	PINK
22	2.5	12	BROWN
24	.75	18	YELLOW
27	.75	18	PURPLE
28	.75	18	GRAY
29	.75	18	WHITE
31	.75	18	PINK
32	.75	18	BROWN
34	.75	18	YELLOW
36	.75	18	BLUE
37	.75	18	PURPLE
44	.75	18	YELLOW
46	6	10	BLUE
47	.75	18	PURPLE
47A	.75	18	PURPLE
48	.75	18	GRAY
54	.75	18	YELLOW
66	.75	18	BLUE
74	.75	18	YELLOW
76	.75	18	BLUE
76A	.75	18	BLUE
77	2.5	12	BLACK
84	2.5	12	YELLOW
94	.75	18	YELLOW



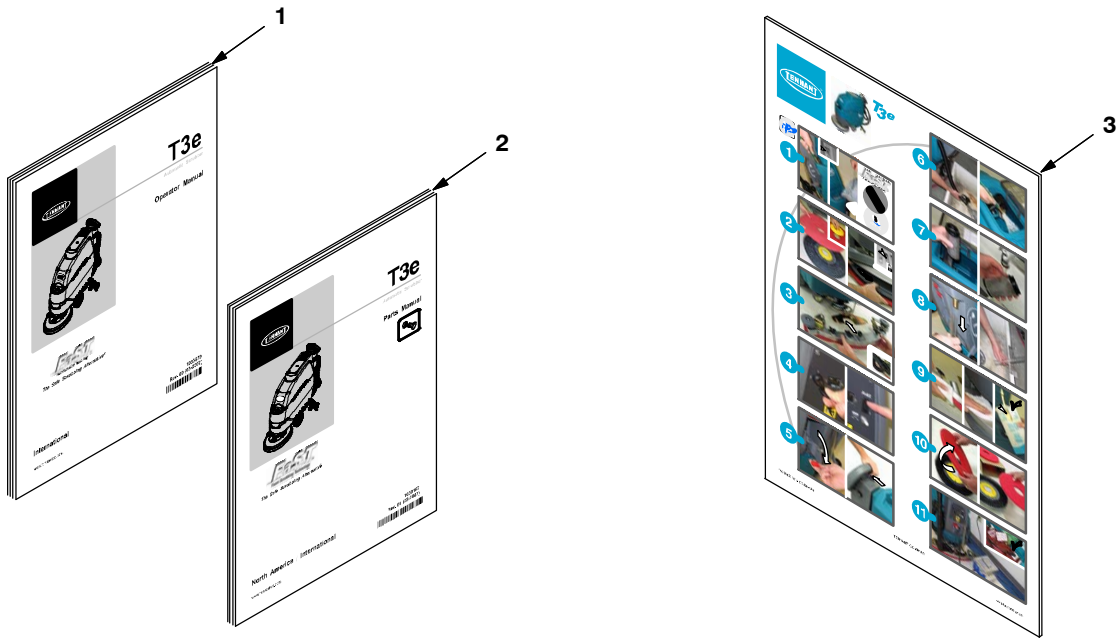
Ref.	Part No.	Serial Number	Description	Qty.
▽	1	1048340	(80000000-) Harness, Main, Propel [T3 – Mid Emc]	1
▲	2	1016040	(80000000-) Fuse, Blade, 025a, 32vdc	1
▲	3	1016041	(80000000-) Fuse, Blade, 030a, 32vdc	1
▲	4	222290	(80000000-) Diode, Ele, Plug	2

▽ ASSEMBLY

▲ INCLUDED IN ASSEMBLY

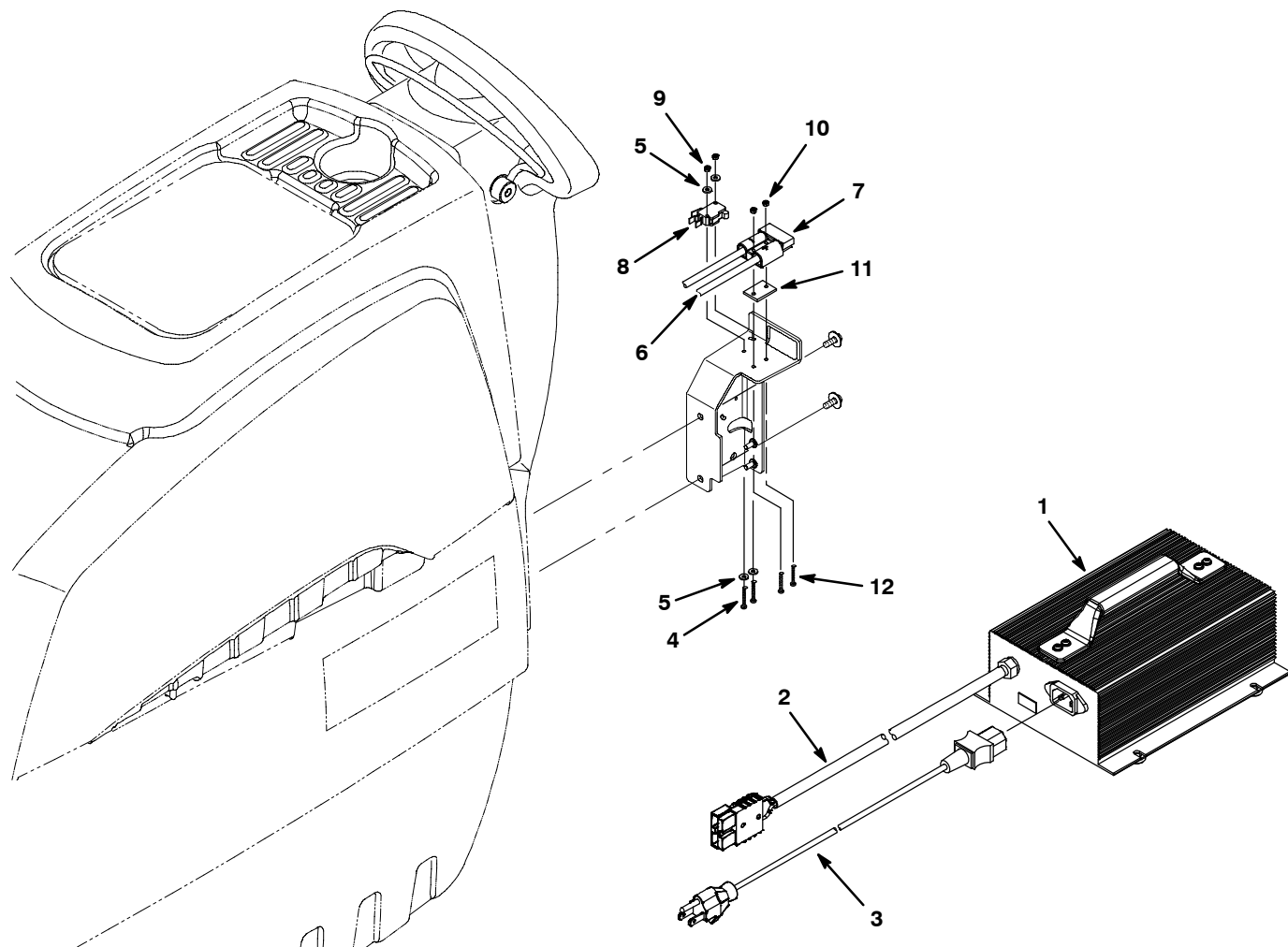
● RECOMMENDED STOCK ITEMS

DOCUMENTATION GROUP



Ref.	Part No.	Serial Number	Description	Qty.
1	1030166	(00000000-)	Manual, Oprtr [T3e, Cn] Chinese	1
1	1033579	(00000000-)	Manual, Oprtr, En [T3e] English	1
1	1033580	(00000000-)	Manual, Oprtr, Es [T3e] Spanish	1
2	1030167	(00000000-)	Manual, Parts [T3e]	1
3	1033582	(00000000-)	Instr, Use & Care, Txtls [T3e]	1

OFF-BOARD BATTERY CHARGER GROUP



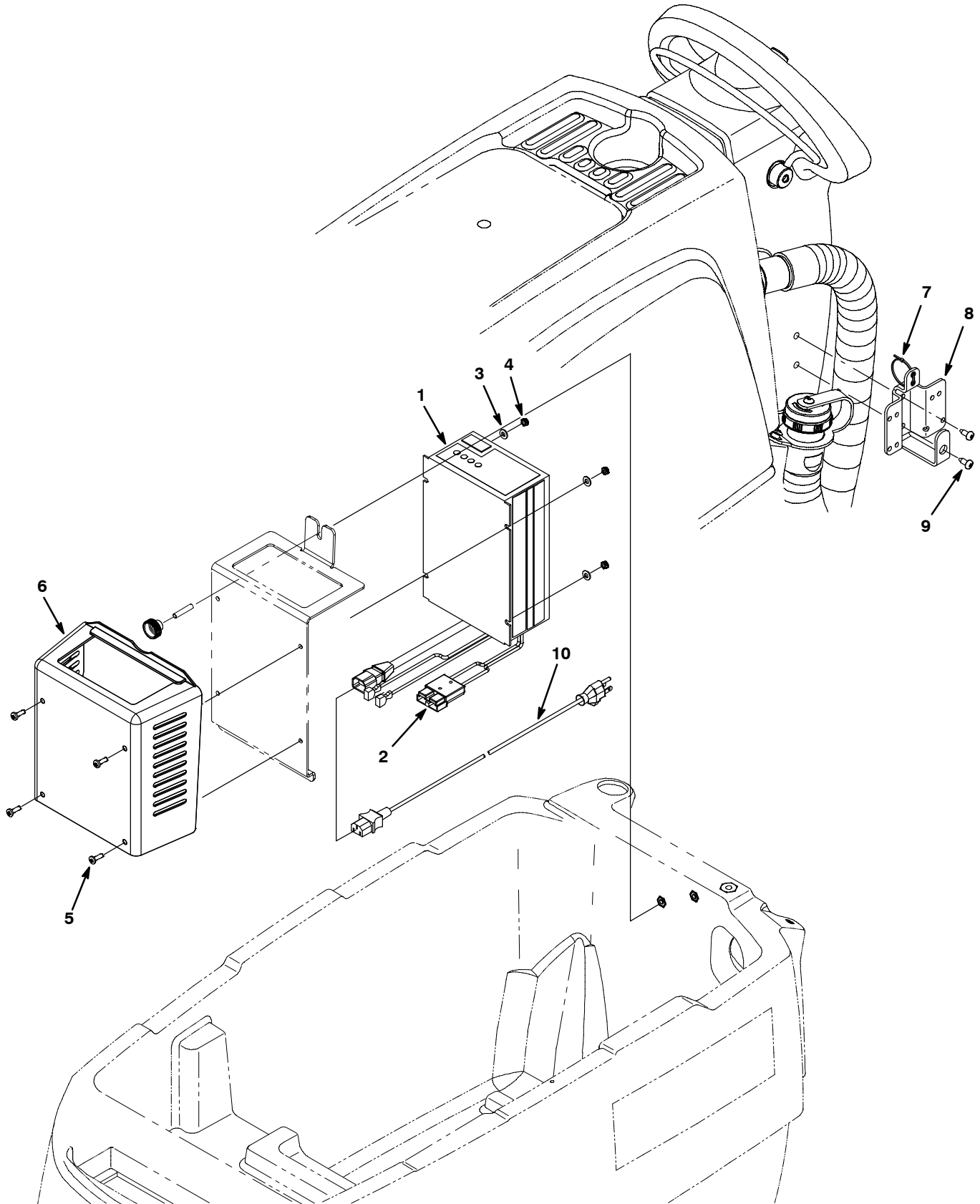
Ref.	Part No.	Serial Number	Description	Qty.
▽	9003347	(00000000-)● Kit, Charger, Off-Board, 120vac, 24vdc	1
▲▽	1 1056034	(00000000-)● Charger, 24vdc, 11a Var Vac 1ph 50/60hz	1
▲▲	2 605387	(00000000-)● Connector, Anderson, 50a,Red W/O Contact	1
▲	3 1025642	(00000000-)● Cord, Power, 16/3, 4.5 Meters, Blk [Us]	1
	3 1026330	(00000000-)● Cord, Power,1.0mm2 X 2.5 Meters [China]	1
	3 1026325	(00000000-)● Cord, Power, 1.0mm2 X 2.5 Meters [Aus]	1
	3 1032849	(00000000-)● Cord, Power, 2.5 Meter, Black [Ce]	1
	3 1048304	(00000000-)● Cord, Power, 4.5 Meter[India, S. Africa]	1
▲	4 06922	(00000000-) Screw, Pan, M3 X 0.50 X 20, 4.8	2
▲	5 41578	(00000000-) Washer, Flat, #06, Ss	4
▲▽	6 1033362	(00000000-) Harness, Chrgr [T3e - Ss3]	1
▲▲	7 605387	(00000000-)● Connector, Anderson, 50a,Red W/O Contact	1
▲	8 611005	(00000000-)● Switch, Rlr, 16a, Micro	1
▲	9 579211	(00000000-) Nut, Hex, Lock, M3 X 0.50, Ss	2
▲	10 33932	(00000000-) Nut, Hex, Lock, M4 X 0.70, NI, Ss	2
▲	11 603331	(00000000-) Spacer, Plug, Chrgr	1
▲	12 1033197	(00000000-) Screw, Pan, M4x0.7x24, Phl, Ss [7985]	2

▽ ASSEMBLY

▲ INCLUDED IN ASSEMBLY

● RECOMMENDED STOCK ITEMS

ON-BOARD BATTERY CHARGER GROUP, STANDARD & FaST MODEL
(S/N 80006188-)



**ON-BOARD BATTERY CHARGER GROUP, STANDARD & FaST MODEL
(S/N 80006188-)**

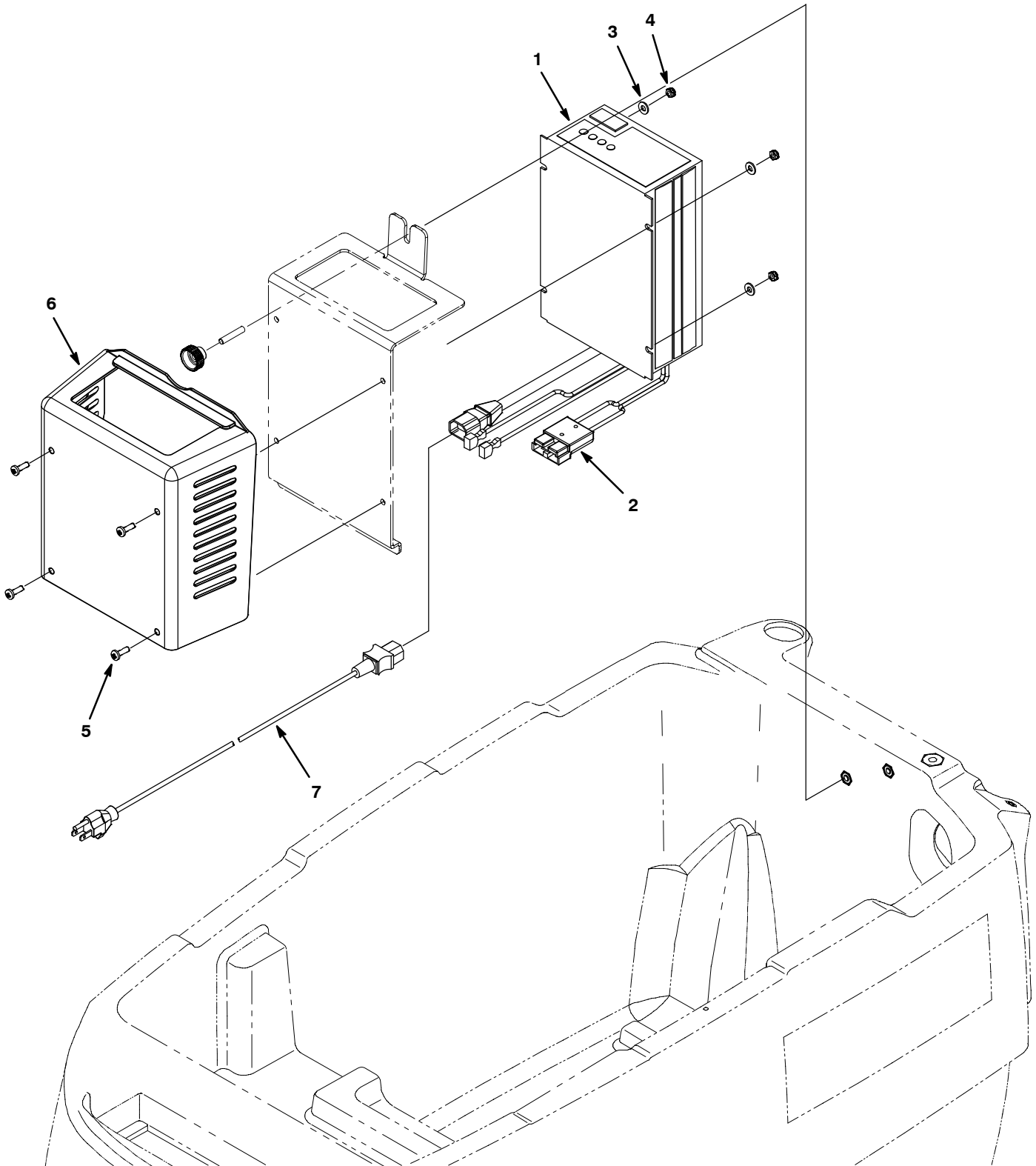
Ref.	Part No.	Serial Number	Description	Qty.
▽	9007343	(80006188-)● Charger Kit, On-Board [T3e/Ss3]	1
▲▽	1 1059522	(80006188-)● Charger, 24vdc 11a 100/240vac 50/60hz	1
▲▲	2 605387	(80000000-)● Connector, Anderson, 50a,Red W/O Contact	1
▲	3 01683	(80000000-) Washer, Flat, 0.22b 0.50d .05, Ss [#10]	4
▲	4 09739	(80000000-) Nut, Hex, Lock, M5 X 0.80, NI, Ss	4
▲	5 06934	(80000000-) Screw, Pan, Phl, M5 X 0.80 X 20, 4.8	4
▲	6 1040600	(80000000-) Cover, Charger [Ss3]	1
▲	7 130773	(80006188-) Tie, Cable, Nyl, 11.0l, .14w, 3.0 Max. D	6
▲	8 1061192	(80006188-) Retainer,Cord, Charger [Ss3/T3e]	1
▲	9 1009324	(80006188-) Screw, Pan, Phl, 10-16 X 0.50,Blk[Typ17]	2
▲	N/S 1045989	(80000000-) Harness, Chrgr [Onboard, T3e/Ss3 Ec-H2o]	1
	10 1025642	(80000000-)● Cord, Power, 16/3, 4.5 Meters, Blk [Us] (Us/Japan)	1
	10 1026330	(80000000-)● Cord, Power,1.0mm2 X 2.5 Meters [China]	1
	10 1026325	(80000000-)● Cord, Power, 1.0mm2 X 2.5 Meters [Aus]	1
	10 1032849	(80000000-)● Cord, Power, 4.5 Meter, Blk [Ce]	1

▽ ASSEMBLY

▲ INCLUDED IN ASSEMBLY

● RECOMMENDED STOCK ITEMS

ON-BOARD BATTERY CHARGER GROUP, STANDARD & FaST MODEL
(S/N 80001159-80006187)



**ON-BOARD BATTERY CHARGER GROUP, STANDARD & FaST MODEL
(S/N 80001159-80006187)**

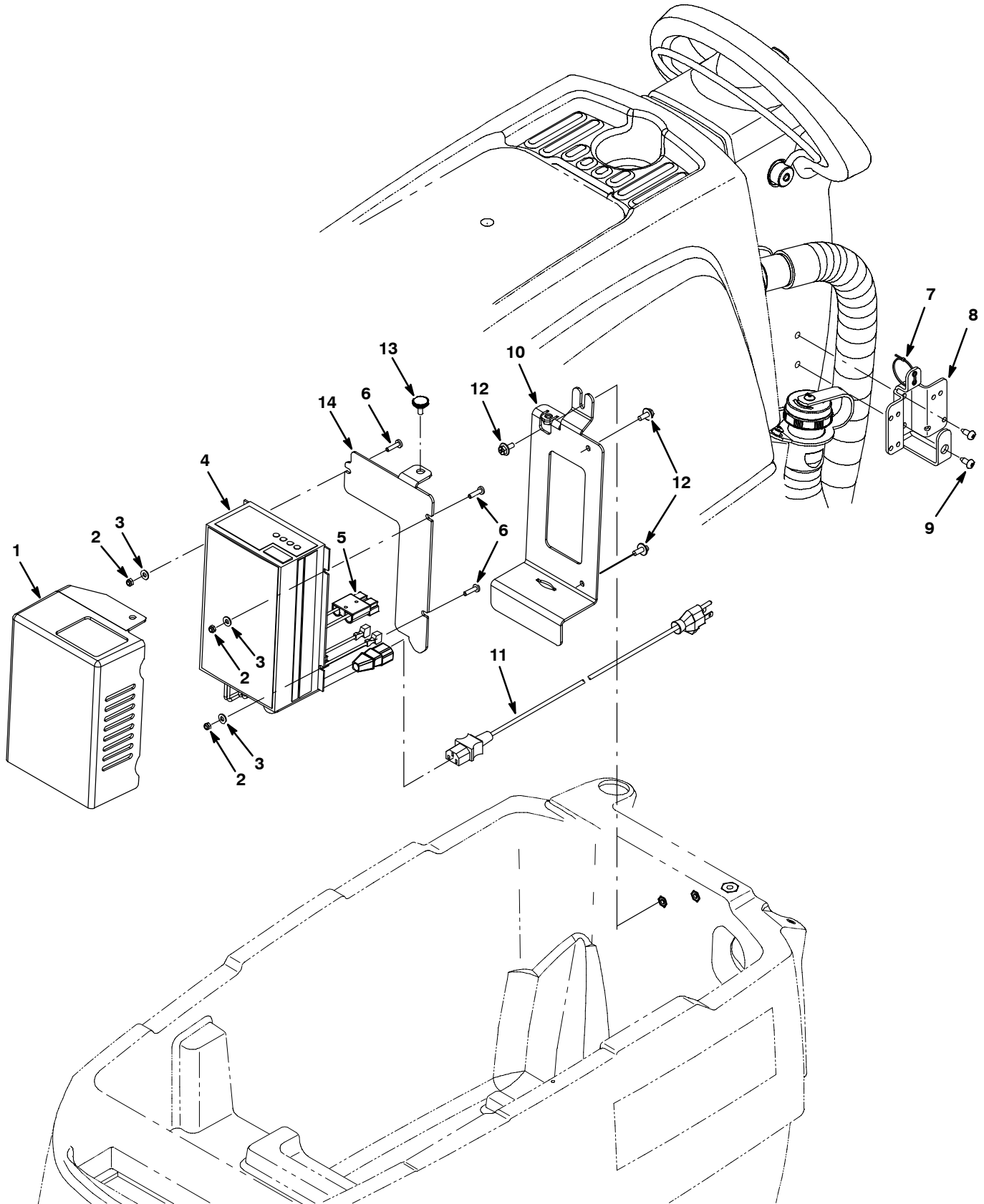
Ref.	Part No.	Serial Number	Description	Qty.	
▽	N/A	(80001159-8006187)	● Charger Kit [On-Board, T3e/Ss3] (Replaced By Kit 9007343)	1	
▲▽	1	N/A	● Charger, 24vdc 11a 100/240vac 50/60hz (Replaced By Kit 9007343)	1	
▲▲	2	605387	(80001159-)	● Connector, Anderson, 50a,Red W/O Contact	1
▲	3	01683	(80001159-)) Washer, Flat, 0.22b 0.50d .05, Ss [#10]	4
▲	4	09739	(80001159-)) Nut, Hex, Lock, M5 X 0.80, NI, Ss	4
▲	5	06934	(80001159-)) Screw, Pan, Phl, M5 X 0.80 X 20, 4.8	4
▲	6	1040600	(80001159-)) Cover, Charger [Ss3]	1
▲	N/S	1045989	(80001159-)) Harness, Chrgr [Onboard, T3e/Ss3 Ec-H2o]	1
	7	1025642	(80001159-)	● Cord, Power, 16/3, 4.5 Meters, Blk [Us] (Us/Japan)	1
	7	1026330	(80001159-)	● Cord, Power, 1.0mm2 X 2.5 Meters [China]	1
	7	1026325	(80001159-)	● Cord, Power, 1.0mm2 X 2.5 Meters [Aus]	1
	7	1032849	(80001159-)	● Cord, Power, 4.5 Meter, Blk [Ce]	1

▽ ASSEMBLY

▲ INCLUDED IN ASSEMBLY

● RECOMMENDED STOCK ITEMS

ON-BOARD BATTERY CHARGER GROUP, ec-H2O MODEL
(S/N 80006188-)



**ON-BOARD BATTERY CHARGER GROUP, ec-H2O MODEL
(S/N 80006188-)**

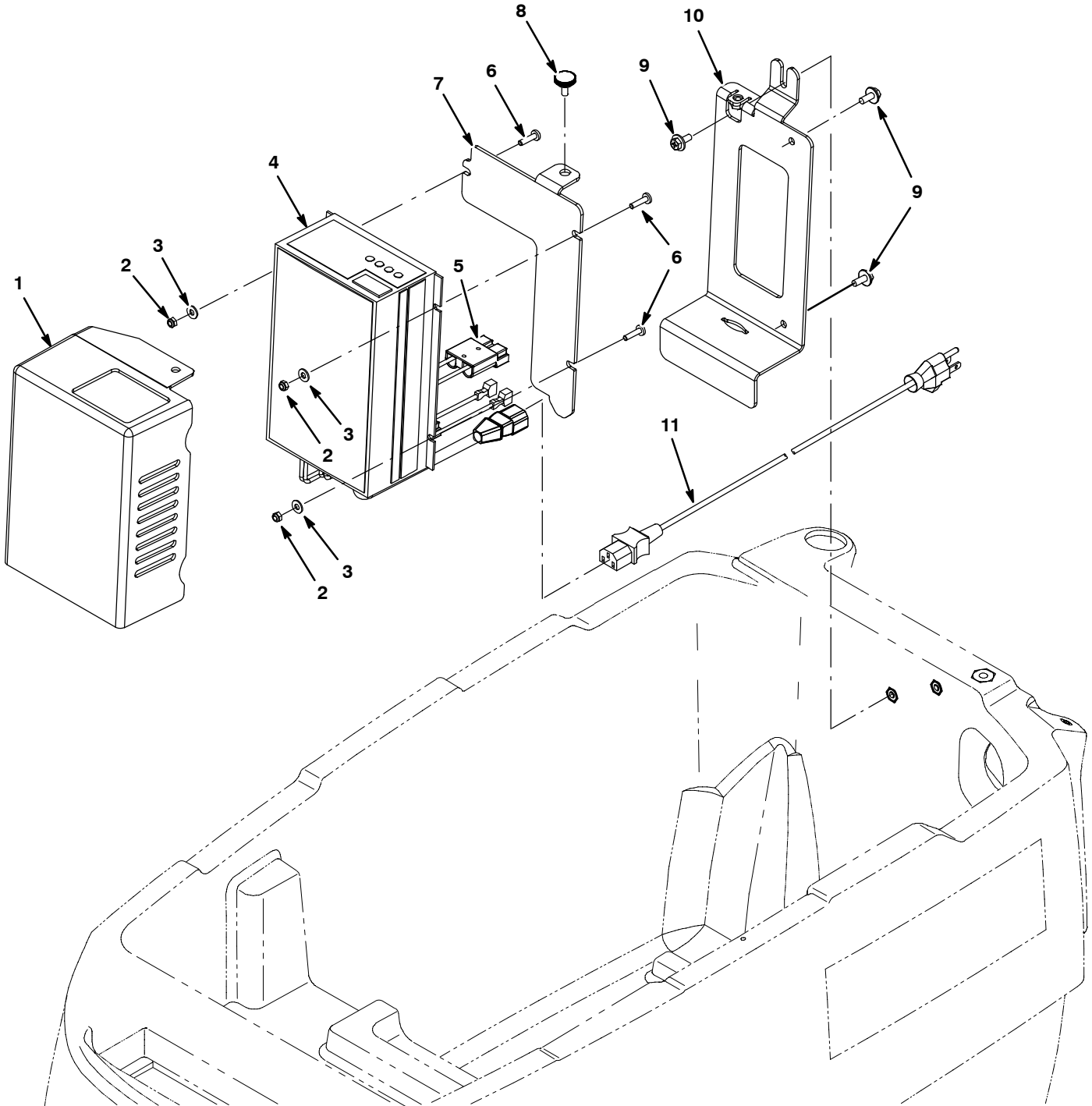
Ref.	Part No.	Serial Number	Description	Qty.
▽	9007344	(80006188-)● Charger Kit [On-Board, T3e/Ss3 Ec-H2o]	1
▲	1 1045985	(80002319-) Cover, Chrgr [T2 Ec-H2o Concept]	1
▲	2 09739	(80002319-) Nut, Hex, Lock, M5 X 0.80, NI, Ss	3
▲	3 01683	(80002319-) Washer, Flat, 10, Ss	3
▲▽	4 1059522	(80006566-)● Charger, 24vdc 11a 100/240vac 50/60hz	1
▲▲	5 605387	(80001159-)● Connector, Anderson, 50a,Red W/O Contact	1
▲	6 06934	(80002319-) Screw, Pan, Phl, M5 X 0.80 X 20, 4.8	3
▲	7 130773	(80006188-) Tie, Cable, Nyl, 11.0l, .14w, 3.0 Max. D	6
▲	8 1061192	(80006188-) Retainer,Cord, Charger [Ss3/T3e]	1
▲	9 1009324	(80006188-) Screw, Pan, Phl, 10-16 X 0.50,Blk[Typ17]	2
▲	N/S 1045989	(80002319-)● Harness, Chrgr [Onboard, T3e/Ss3 Ec-H2o]	1
	10 1045961	(80002319-) Brkt, Mntg, Echo, Chrgr [Ss3/T3e]	1
	11 1025642	(80001159-)● Cord, Power, 16/3, 4.5 Meters, Blk [Us] (Us/Japan)	1
	11 1026330	(80001159-)● Cord, Power,1.0mm2 X 2.5 Meters [China]	1
	11 1026325	(80001159-)● Cord, Power, 1.0mm2 X 2.5 Meters [Aus]	1
	11 1032849	(80001159-)● Cord, Power, 4.5 Meter, Blk [Ce]	1
	12 1034731	(80002319-) Screw, Hex, M6 X 1.00 X 16, Ss, Sems	3
	13 1046631	(80002319-)● Knob,Rnd,19mmod,M6x20,Stud,Plstc,PI	1
	14 1045966	(80002319-) Brkt, Mntg, Chrgr [Ss3] W/Echo	1

▽ ASSEMBLY

▲ INCLUDED IN ASSEMBLY

● RECOMMENDED STOCK ITEMS

ON-BOARD BATTERY CHARGER GROUP, ec-H2O MODEL
(S/N 80001159-80006187)



**ON-BOARD BATTERY CHARGER GROUP, ec-H2O MODEL
(S/N 80001159-80006187)**

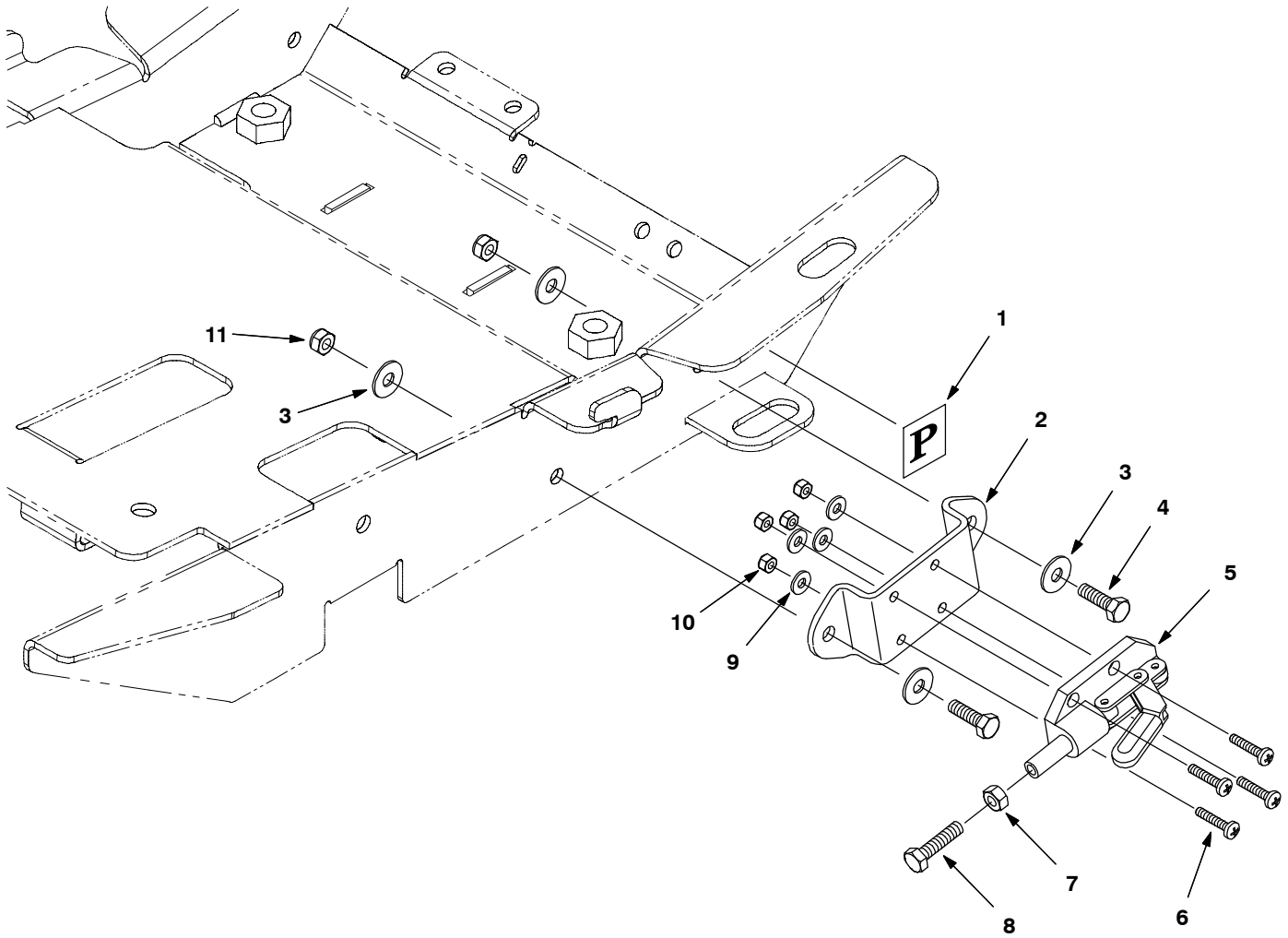
Ref.	Part No.	Serial Number	Description	Qty.
▽	N/A	(80002319-8006187)	● Charger Kit [On-Board, T3e/Ss3 Ec-H2o] (Replaced By Kit 9007344)	1
▲	1 1045985	(80002319-) Cover, Chrgr [T2 Ec-H2o Concept]	1
▲	2 09739	(80002319-) Nut, Hex, Lock, M5 X 0.80, NI, Ss	3
▲	3 01683	(80002319-) Washer, Flat, 10, Ss	3
▲▽	4 N/A	(80001159-8006187)	● Charger, 24vdc 11a 100/240vac 50/60hz (Replaced By Kit 9007344)	1
▲▲	5 605387	(80001159-)● Connector, Anderson, 50a,Red W/O Contact	1
▲	6 06934	(80002319-) Screw, Pan, Phl, M5 X 0.80 X 20, 4.8	3
▲	N/S 1045989	(80002319-)● Harness, Chrgr [Onboard, T3e/Ss3 Ec-H2o]	1
	7 1045966	(80002319-) Brkt, Mntg, Chrgr [Ss3] W/Echo	1
	8 1046631	(80002319-)● Knob,Rnd,19mmod,M6x20,Stud,Plstc,Pl	1
	9 1034731	(80002319-) Screw, Hex, M6 X 1.00 X 16, Ss, Sems	3
	10 1045961	(80002319-) Brkt, Mntg, Echo, Chrgr [Ss3/T3e]	1
	11 1025642	(80001159-)● Cord, Power, 16/3, 4.5 Meters, Blk [Us] (Us/Japan)	1
	11 1026330	(80001159-)● Cord, Power,1.0mm2 X 2.5 Meters [China]	1
	11 1026325	(80001159-)● Cord, Power, 1.0mm2 X 2.5 Meters [Aus]	1
	11 1032849	(80001159-)● Cord, Power, 4.5 Meter, Blk [Ce]	1

▽ ASSEMBLY

▲ INCLUDED IN ASSEMBLY

● RECOMMENDED STOCK ITEMS

PARKING BRAKE GROUP



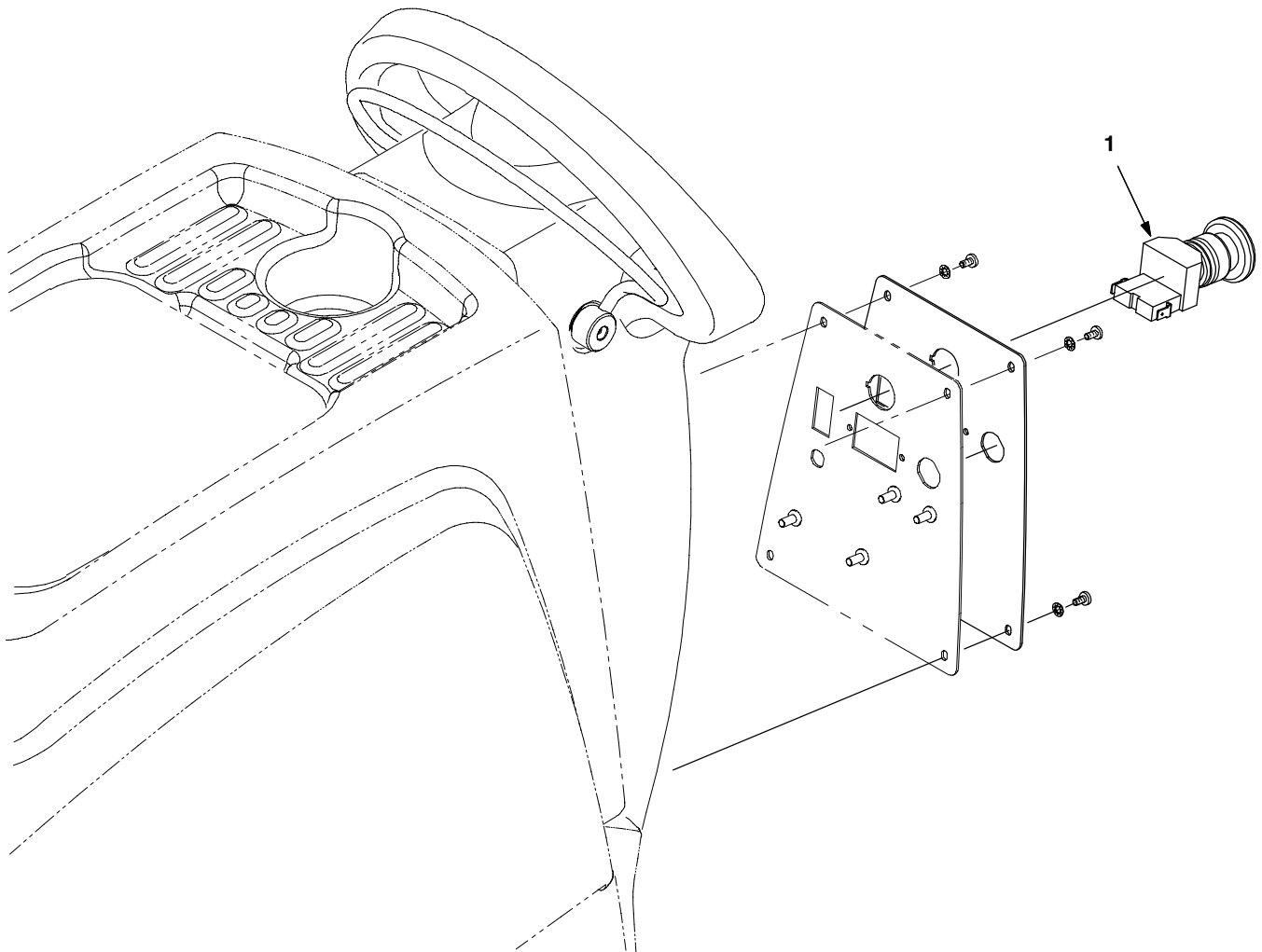
Ref.	Part No.	Serial Number	Description	Qty.
▽	9003351	(00000000-)	● Kit, Parking Brake [T3]	1
▲	1 600624	(00000000-)) Label, Parking Brake, Symbol [Tnv]	1
▲	2 1013840	(00000000-)) Bracket, Brake, Frame	1
▲	3 01684	(00000000-)) Washer, Flat, 0.27b 0.69d .05, Ss	4
▲	4 08716	(00000000-)) Screw, Hex, M6 X 1.0 X 20, Ss	2
▲	5 1013718	(00000000-)	● Clamp, Brake, Parking [T3]	1
▲	6 12323	(00000000-)) Screw, Pan, M4 X 0.7 X 20, Ss	4
▲	7 07785	(00000000-)) Nut, Hex, Std, M6 X 1.00, A2, Ss	1
▲	8 09007	(00000000-)) Screw, Hex, M6 X 1.00 X 25, Ss	1
▲	9 41579	(00000000-)) Washer, Flat, #08, Ss	4
▲	10 33932	(00000000-)) Nut, Hex, Lock, M4 X 0.70, NI, Ss	4
▲	11 08712	(00000000-)) Nut, Hex, Lock, M6 X 1.00, Ss, NI	2

▽ ASSEMBLY

▲ INCLUDED IN ASSEMBLY

● RECOMMENDED STOCK ITEMS

EMERGENCY STOP BUTTON GROUP



Ref.	Part No.	Serial Number	Description	Qty.
▽	9003350	(00000000-)● Kit, E-Stop [T3]	1
▲ 1	1011735	(00000000-)● Switch, Safety, Shutoff	1

▽ ASSEMBLY

▲ INCLUDED IN ASSEMBLY

● RECOMMENDED STOCK ITEMS