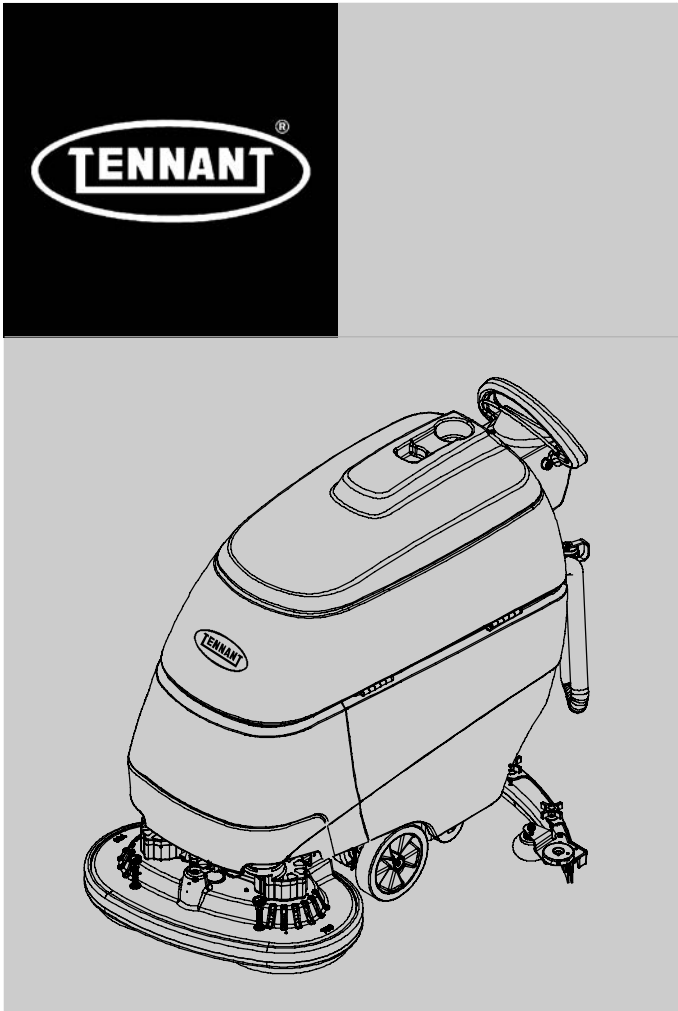
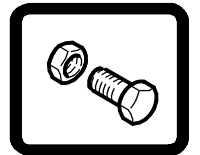




# T5

## Parts Manual



*The Safe Scrubbing Alternative*<sup>®</sup>



ELECTRICALLY CONVERTED WATER

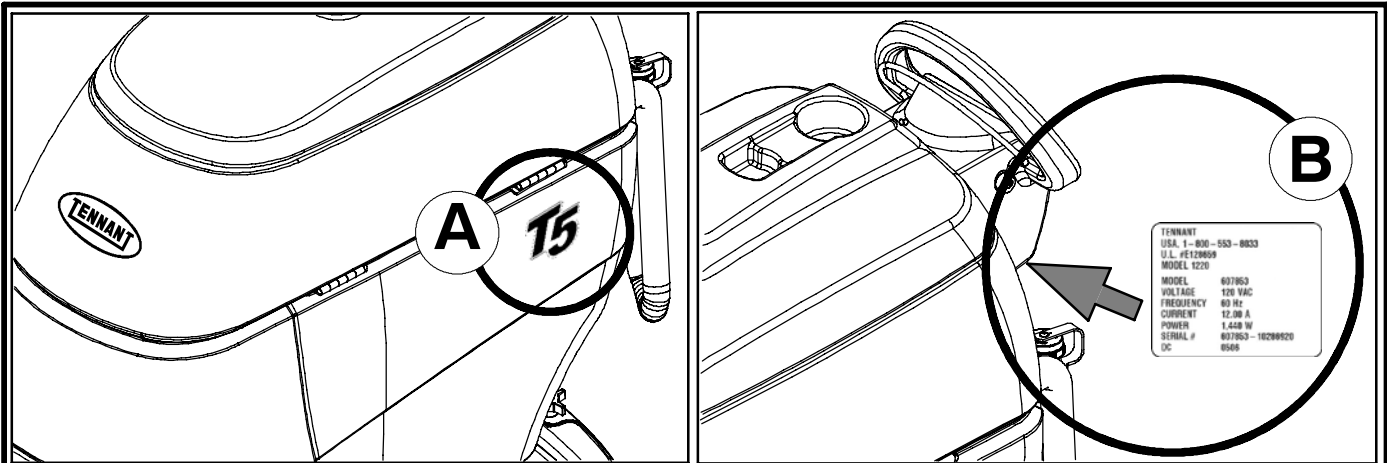
*Hygenic<sup>®</sup> Fully Cleanable Tanks*  
*QA Controls<sup>™</sup>*

**North America / International**

[www.tennantco.com](http://www.tennantco.com)

9002329  
Rev. 06 (11-2008)





Ref	Part No.	Serial Number	Description	Qty.
1	82681	(000000- )	Bracket Wldt, Lpg Mount	1
2	63810	(000000- )	Ch Assy, Lpg Tank Mtg, W/Nut	4
3	51839	(000000- )	Mat Adjustable, Lpg Tank Mtg	2
4	49263	(000000- )	Tie, Cable	3
	82556	(000000-001039)	Bracket, Vaporizer	1
	54930	(000000- )	Vaporizer, LPG	1

**HOW TO ORDER PARTS - See diagram above**

Only use TENNANT Company supplied or equivalent parts. Parts and supplies may be ordered online, by phone, by fax or by mail.

Follow the steps below to ensure prompt delivery.

1. (A) Identify the machine model.
2. (B) Identify the machine serial number from the data label.
3. (C) Ensure the proper serial number is used from the parts list.
4. Identify the part number and quantity.  
Do not order by page or reference numbers.
5. Provide your name, company name, customer ID number, billing and shipping address, phone number and purchase order number.
6. Provide detail shipping instructions.

- (D) ▽ - identifies an assembly  
 ▲ - identifies parts included in assembly  
 (E) ● - identifies a recommended stock item

**Please fill out at time of installation for future reference.**

Model No. - \_\_\_\_\_  
 Serial No. - \_\_\_\_\_  
 Machine Options - \_\_\_\_\_  
 Sales Rep. - \_\_\_\_\_  
 Sales Rep. phone no. - \_\_\_\_\_  
 Customer ID Number - \_\_\_\_\_  
 Installation Date - \_\_\_\_\_

**Tennant Company**

PO Box 1452  
 Minneapolis, MN 55440  
 Phone: (800) 553-8033 or (763) 513-2850  
 www.tennantco.com

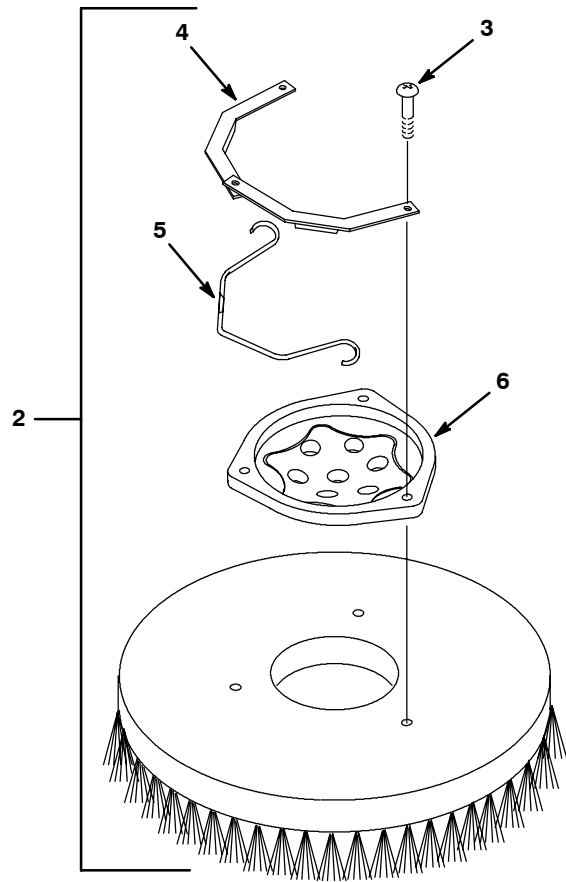
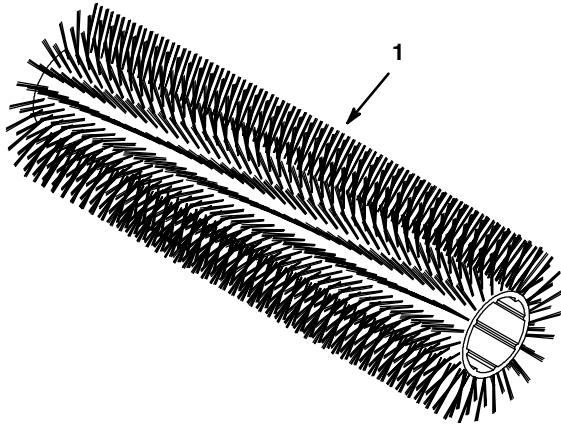
Specifications and parts are subject to change without notice.

Copyright © 2006, 2007, 2008 TENNANT Company, Printed in U.S.A.

**TABLE OF CONTENTS**

REPLACEMENT BRUSHES .....	4	9003810 FAST INJECTOR ASSEMBLY BREAKDOWN (S/N 00000000-10348537) 600 mm DISK & 650 mm CYLINDRICAL MODELS .....	51
PAD DRIVER GROUP .....	6	SOLUTION GROUP, <i>ec-H2O</i> MODEL .....	52
RECOVERY TANK GROUP .....	8	9004561 <i>ec-H2O</i> MODULE ASSEMBLY BREAKDOWN .....	54
VACUUM MOTOR GROUP .....	10	1042495 <i>ec-H2O</i> SOLUTION PUMP BREAKDOWN .....	56
SOLUTION TANK GROUP .....	12	SOLUTION GROUP, STANDARD MODEL .....	57
SIDE PANEL GROUP .....	14	SQUEEGEE LIFT GROUP .....	58
CONTROL CONSOLE GROUP .....	16	SQUEEGEE GROUP, 20 in / 500 mm .....	60
COMPONENT PANEL GROUP .....	18	SQUEEGEE GROUP, 24 in / 600 mm .....	62
DRIVE GROUP .....	20	SQUEEGEE GROUP, 26 in / 650 mm & 28 in / 700 mm .....	64
SCRUB HEAD GROUP, DISK 24 in / 600 mm ...	22	SQUEEGEE GROUP, 32 in / 800 mm .....	66
SCRUB HEAD GROUP, DISK 24 in / 600 mm - CONT'D .....	24	BATTERY GROUP, MAINTENANCE FREE 200 Ah .....	68
SCRUB HEAD GROUP, DISK 28 in / 700 mm ...	26	BATTERY GROUP, LEAD-ACID 235 Ah .....	69
SCRUB HEAD GROUP, DISK 28 in / 700 mm - CONT'D .....	28	BATTERY GROUP, MAINTENANCE FREE 160 Ah (Japan) .....	70
SCRUB HEAD GROUP, DISK 32 in / 800 mm ...	30	BATTERY GROUP, LEAD ACID 180 Ah (Japan) .....	71
SCRUB HEAD GROUP, DISK 32 in / 800 mm - CONT'D .....	32	ELECTRICAL DIAGRAM, STANDARD & FaST MODEL .....	72
SCRUB HEAD GROUP, CYLINDRICAL 26 in / 650 mm .....	34	ELECTRICAL DIAGRAM, <i>ec-H2O</i> MODEL .....	74
SCRUB HEAD GROUP, CYLINDRICAL 26 in / 650 mm - CONT'D .....	36	<b>OPTIONS</b>	
SCRUB HEAD GROUP, CYLINDRICAL 32 in / 800 mm .....	38	BUMPER WHEEL KIT .....	76
SCRUB HEAD GROUP, CYLINDRICAL 32 in / 800 mm - CONT'D .....	40	WAND PUMP KIT .....	78
SCRUBHEAD LIFT GROUP .....	42	DELUXE POWER WAND GROUP .....	80
SOLUTION GROUP, FaST MODEL .....	44	POWER WAND HOSE GROUP .....	82
SOLUTION GROUP, FaST MODEL - CONT'D ..	46	OFF-BOARD CHARGER GROUP .....	83
9003908 FAST INJECTOR ASSEMBLY BREAKDOWN (S/N 10347532- ) 700 mm / 800 mm DISK & 800 mm CYLINDRICAL MODELS .....	48	ON-BOARD CHARGER GROUP .....	84
9003907 FAST INJECTOR ASSEMBLY BREAKDOWN (S/N 10348538- ) 600 mm DISK & 650 mm CYLINDRICAL MODELS .....	49	DOCUMENTATION GROUP .....	86
9003812 FAST INJECTOR ASSEMBLY BREAKDOWN (S/N 00000000-10347531) 700 mm / 800 mm DISK & 800 mm CYLINDRICAL MODELS .....	50		

REPLACEMENT BRUSHES

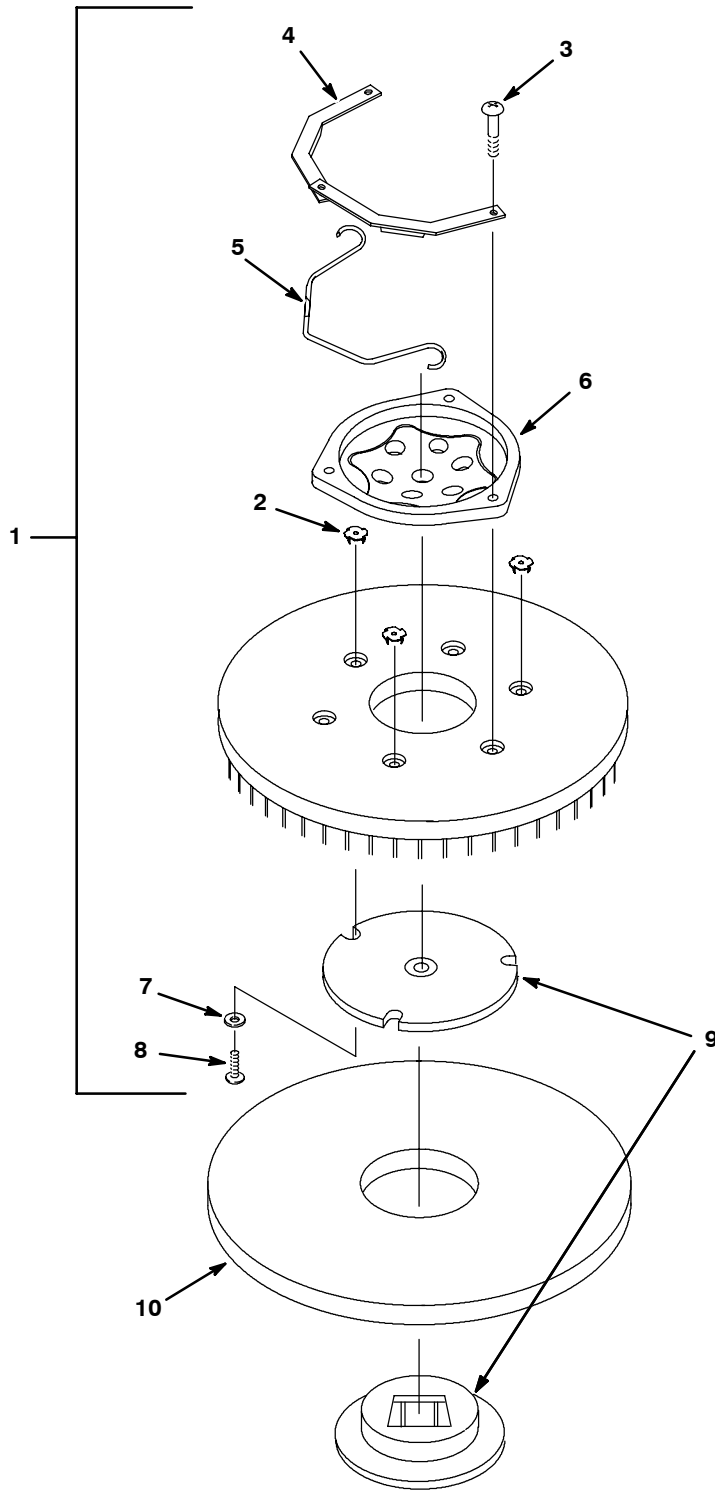


## REPLACEMENT BRUSHES

Ref.	Part No.	Serial Number	Description	Qty.
1	399251	(00000000-	)● Brush, Scb, 26l, 18 Sr, Nyl	2
1	399252	(00000000-	)● Brush, Scb, Cyl, 26.0l, Poly	2
1	399253	(00000000-	)● Brush, Scb, Cyl, 26.0l, Hd Poly	2
1	399254	(00000000-	)● Brush, Scb, Cyl, 26.0l, Abr	2
1	222308	(00000000-	)● Brush, Scb, 32l, 18 Sr, Nyl, Spl	2
1	374042	(00000000-	)● Brush, Scb, 32l, 18 Sr, Pyp , Spl	2
1	222307	(00000000-	)● Brush, Scb, 32l, 18 Sr, Pyp Grout, Spl	2
1	222309	(00000000-	)● Brush, Scb, 32l, 18 Sr, Abr, Spl	2
2	1025094	(00000000-	)● Brush Assy, Disk, Scb, 11.90d, Nyl	2
2	1025095	(00000000-	)● Brush Assy, Disk, Scb, 11.90d, Pyp	2
2	1025096	(00000000-	)● Brush Assy, Disk, Scb, 11.9d, Sab	2
2	399246	(00000000-	)● Brush, Disk, Scr, 13.90d, Assy, Nyl	2
2	399247	(00000000-	)● Brush, Disk, Scr, 13.90d, Assy, Pyp	2
2	399245	(00000000-	)● Brush, Disk, Scr, 13.90d, Assy, Sab	2
2	399243	(00000000-	)● Brush, Disk, Scr, 15.9d, Assy, Nyl	2
2	399244	(00000000-	)● Brush, Disk, Scr, 15.9d, Assy, Pyp	2
2	399242	(00000000-	)● Brush, Disk, Scr, 15.9d, Assy, Sab	2
3	32747	(00000000-	) Screw, Pan, M6 X 1.0 X 40, Ss	3
4	21852	(00000000-	)● Bracket, Retainer, Spring	2
5	21853	(00000000-	)● Spring, Wir, 0.16d, Brush Retaining (12" Brush Assy)	1
5	1028905	(00000000-	)● Spring, Wir, 0.16d, Brush Retaining, (14" & 16" Brush Assy)	1
6	1017112	(00000000-	)● Hub, Drive, Brush, Disk, 3hole 5.8bc	1

## ● RECOMMENDED STOCK ITEMS

PAD DRIVER GROUP



PAD DRIVER GROUP

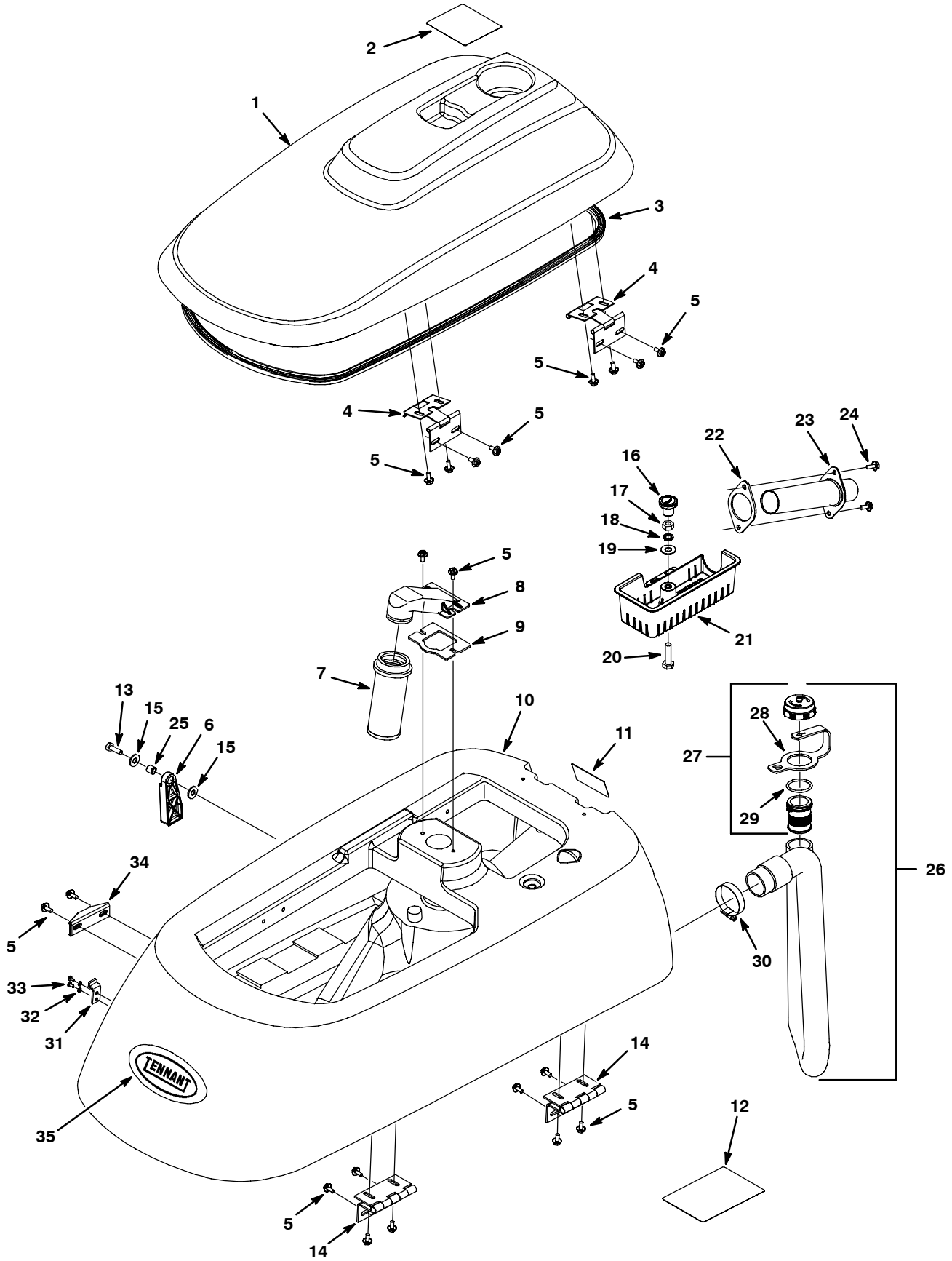
Ref.	Part No.	Serial Number	Description	Qty.
1	385944	(00000000-	)● Driver Assy, Pad, 12 D, Brush	2
1	399249	(00000000-	)● Driver Assy, Pad, 14 D, Brush	2
1	399250	(00000000-	)● Driver Assy, Pad, 16 D, Brush	2
2	10908	(00000000-	) Nut, T, M4 X 0.7	3
3	32747	(00000000-	) Screw, Pan, M6 X 1.0 X 40, Ss	3
4	21852	(00000000-	)● Bracket, Retainer, Spring	2
5	21853	(00000000-	)● Spring, Wir, 0.16d, Brush Retaining (12" Driver Assy)	1
5	1028905	(00000000-	)● Spring, Wir, 0.16d, Brush Retaining, (14" & 16" Driver Assy)	1
6	1017112	(00000000-	) Hub, Drive, Brush, Disk, 3hole 5.8bc	1
7	41579	(00000000-	) Washer, Flat, #8, Ss	3
8	04403	(00000000-	) Screw, Pan, M4 X 0.7 X 25, Ss, NI	3
9	370095	(00000000-	)● Device, Centering, Clip-On, Teal, Gf Pp	1
10	385940	(00000000-	)● Pad, Polish, 12.0d, White [1pad=1pc]	2
10	385941	(00000000-	)● Pad, Buff, 12.0d, Red [1pad=1pc]	2
10	385942	(00000000-	)● Pad, Scb, 12.0d, Blu [1pick = 1 Pad]	2
10	385943	(00000000-	)● Pad, Stripping, 12.0d, Brown [1pad=1pc]	2
10	222324	(00000000-	)● Pad, Polish, 14.0d, White [1pad=1pc]	2
10	222325	(00000000-	)● Pad, Buff, 14.0d, Red	2
10	222326	(00000000-	)● Pad, Scb, 14.0d, Blu [1pad=1pc]	2
10	222327	(00000000-	)● Pad, Stripping, 14.0d, Brown [1pad=1pc]	2
10	63248-4	(00000000-	)● Pad, Polish, 16.0d, White [1pad=1pc]	2
10	63248-3	(00000000-	)● Pad, Buff, 16.0d, Red	2
10	63248-2	(00000000-	)● Pad, Scb, 16.0d, Blu [1pad=1pc]	2
10	63248-1	(00000000-	)● Pad, Stripping, 16.0d, Brown [1pad=1pc]	2

Japan Market

Ref.	Part No.	Serial Number	Description	Qty.
10	989977	(00000000-	)● Pad, 12.00, Sapphire [5pc]	2
10	989813	(00000000-	)● Pad, Stripping, 12inch, Blk [5pc]	2
10	989973	(00000000-	)● Pad, 12.0, Brown [5pc]	2
10	989974	(00000000-	)● Pad, 12.0, Blu [5pc]	2
10	989975	(00000000-	)● Pad, 12.0, Red [5pc]	2
10	989909	(00000000-	)● Jumbo Tan 12"	2
10	989980	(00000000-	)● Pad, 12.0, White [5pc]	2
10	630660	(00000000-	)● Pad, 14.0 [Sapphire, Case Of 5]	2
10	630653	(00000000-	)● Pad, 14.0, Brown [Case Of 5]	2
10	630654	(00000000-	)● Pad, 14.0, Blu [Case Of 5]	2
10	630655	(00000000-	)● Pad, 14.0, Red [Case Of 5]	2
10	989806	(00000000-	)● Jumbo Tan 14"	2
10	989981	(00000000-	)● Pad, 14.0, White [5pc]	2
10	630642	(00000000-	)● Pad, Stripping, 16.0[Sapphire,Case Of 5]	2
10	989814	(00000000-	)● Pad, Stripping, 16inch, Blk	2
10	630643	(00000000-	)● Pad, 16.0, Brown [Case Of 5]	2
10	630644	(00000000-	)● Pad, 16.0, Blu [Case Of 5]	2
10	630645	(00000000-	)● Pad, 16.0, Red [Case Of 5]	2
10	989807	(00000000-	)● Jumbo Tan 16"	2
10	989907	(00000000-	)● Pad, 16.0, White [5pc]	2

● RECOMMENDED STOCK ITEMS

RECOVERY TANK GROUP





## RECOVERY TANK GROUP

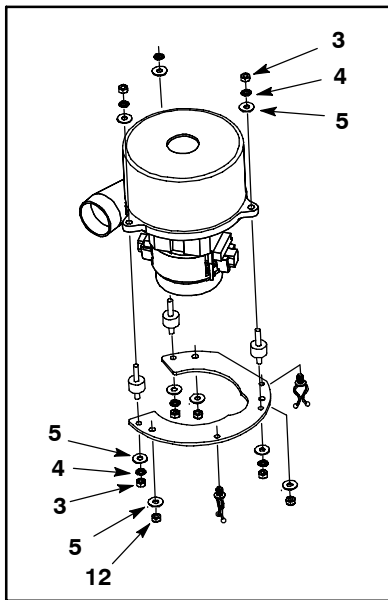
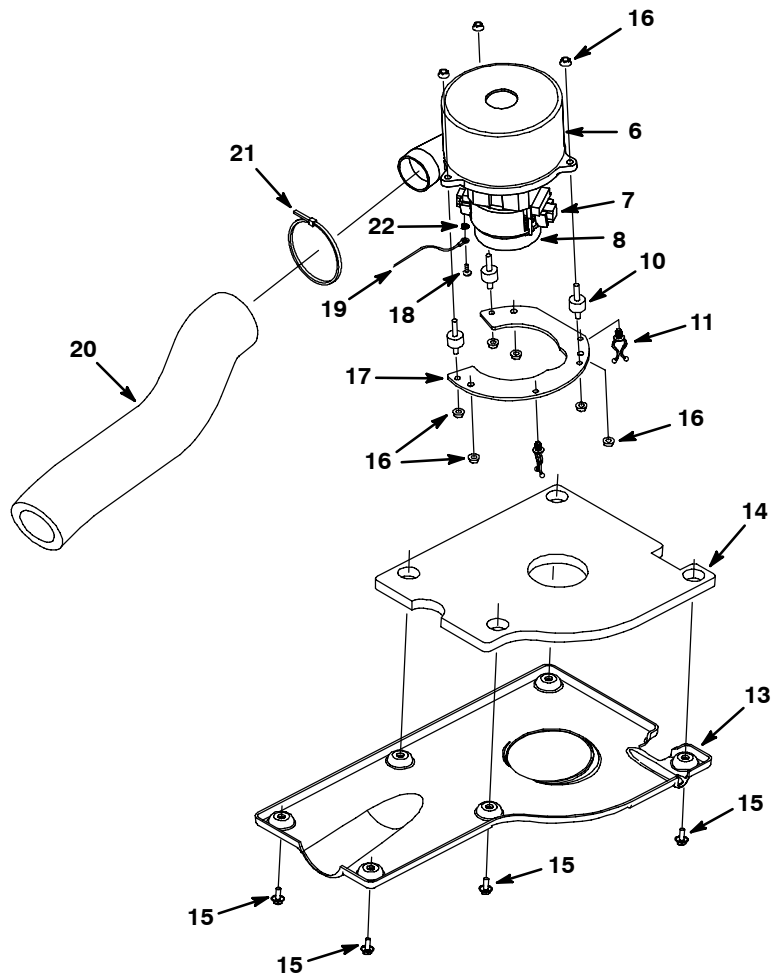
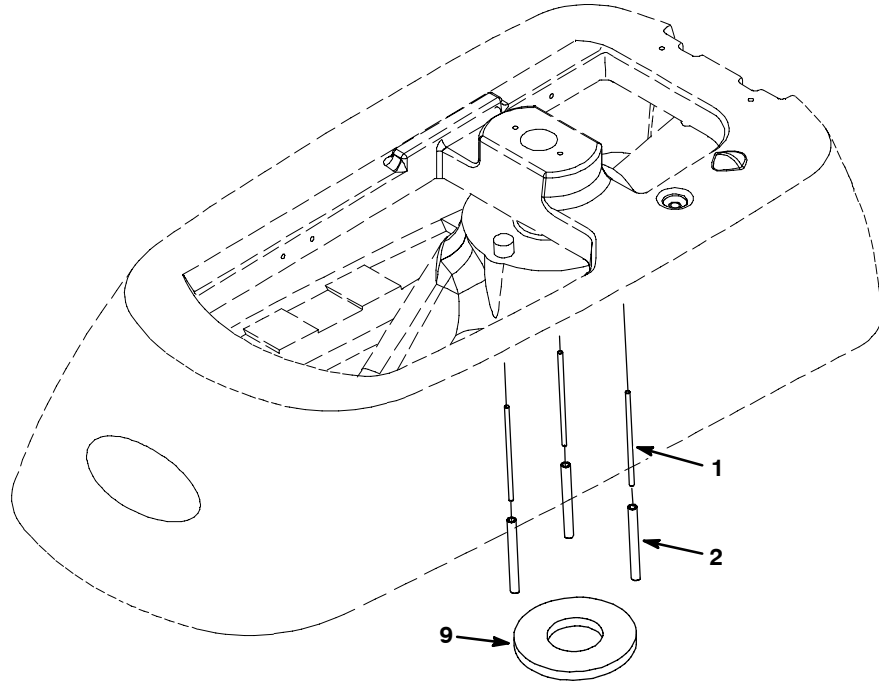
Ref.	Part No.	Serial Number	Description	Qty.
▽	1	9002563	(00000000- ) Kit, Cover, Recovery Tank (Na)	1
▲	2	1026387	(00000000- ) Label, Warn,4x4dc Scrb/Extr/Brn En/Fr/Es	1
▲	3	1042937	(00000000- )● Gasket, Snap-In, Dual-Durometer [T5]	1
▽	1	9003133	(00000000- ) Cover Assy, Tank, Recvy [Japan]	1
▲	2	1016753	(00000000- ) Label, Warning, 4 X 3, Tj [Dcwb]	1
▲	3	1042937	(00000000- )● Gasket, Snap-In, Dual-Durometer [T5]	1
	4	1021246	(00000000- ) Hinge, 6.0 Pin, 2.5 Thk,73.5 W, 3 Leaf	2
	5	1034731	(00000000- ) Screw, Hex, M6 X 1.00 X 16, Sems, Ss	20
	6	1022399	(00000000- ) Support, Tank, Prop, Blk, Ny	1
	7	630052	(00000000- )● Float, Shut-Off, (2)Ball, 1.75d	1
	8	1011777	(00000000- ) Mount, Float, Molded	1
	9	1013628	(00000000- )● Gasket, Mtg, Float	1
▽	10	9002564	(00000000- ) Kit, Tank, Recovery (Teal)	1
▽	10	9002714	(00000000- ) Kit, Tank, Recovery Hg (Gray)	1
▲	11	391451	(00000000- ) Label, Attention Fast Users (Fast Model)	1
▲	11	1050003	(10378380- ) Label, User, Attention, Ec-H2o (ec-H2O Model)	1
▲	12	1024800	(00000000- ) Label, Instr, Battery	1
	13	12333	(00000000- ) Screw, Hex, M8 X 1.25 X 25, Ss, NI	1
	14	1022380	(00000000- ) Hinge, 7mmpin 3mmthk 73.5mmw 100mml	2
	15	01685	(00000000- ) Washer, Flat, 0.31 Ss	2
	16	1024179	(00000000- ) Knob, Knurled, M10 Thread	1
	17	07787	(00000000- ) Nut, Hex, Std, M10 X 1.5, Ss	1
	18	140333	(00000000- ) Washer M10 Spltlck Ss	1
	19	01686	(00000000- ) Washer, Flat, 0.44b 1.00 .08, Ss	1
	20	05720	(00000000- ) Screw, Hex, M10 X 1.5 X 40, Ss, FI	1
	21	1025349	(00000000- ) Tray, Debris	1
	22	1024602	(00000000- ) Gasket, Adaptor, Hose	1
	23	1021214	(00000000- ) Tube, Hose, Adapter, 1.5d	1
	24	1034731	(00000000- ) Screw, Hex, M6 X 1.00 X 16, Sems, Ss	2
	25	222460	(00000000- ) Sleeve, P/M, 0.496d 0.318b 0.50l 430ss	1
▽	26	1043538	(00000000- )● Hose Assy, Drain, 1.50id X 29.5l, Blk	1
▲▽	27	1008639	(00000000- )● Cap, Drain Assy	1
▲▲	28	1019563	(00000000- )● Strap, Drain Cap	1
▲▲	29	1008637	(00000000- )● O Ring, 1.48" Id, 1.76" Od	1
	30	11531	(00000000- ) Clamp, Hose, Wormdrive, 1.06-2.00d, .56w	1
	31	49800	(00000000- ) Latch	1
	32	02938	(00000000- ) Washer, Lock, Int, 08 Ss	2
	33	391403	(00000000- ) Screw, Pan, M4 X 0.7 X 8, Ss	2
	34	1023362	(00000000- ) Guide, Tank	1
	35	1047746	(00000000- ) Label, Logo, 06.9l, White, [Tennant] (Teal)	1
	35	1047747	(00000000- ) Label, Logo, 06.9l, White, Hg, [Tennant] (Gray)	1

▽ ASSEMBLY

▲ INCLUDED IN ASSEMBLY

● RECOMMENDED STOCK ITEMS

VACUUM MOTOR GROUP



## VACUUM MOTOR GROUP

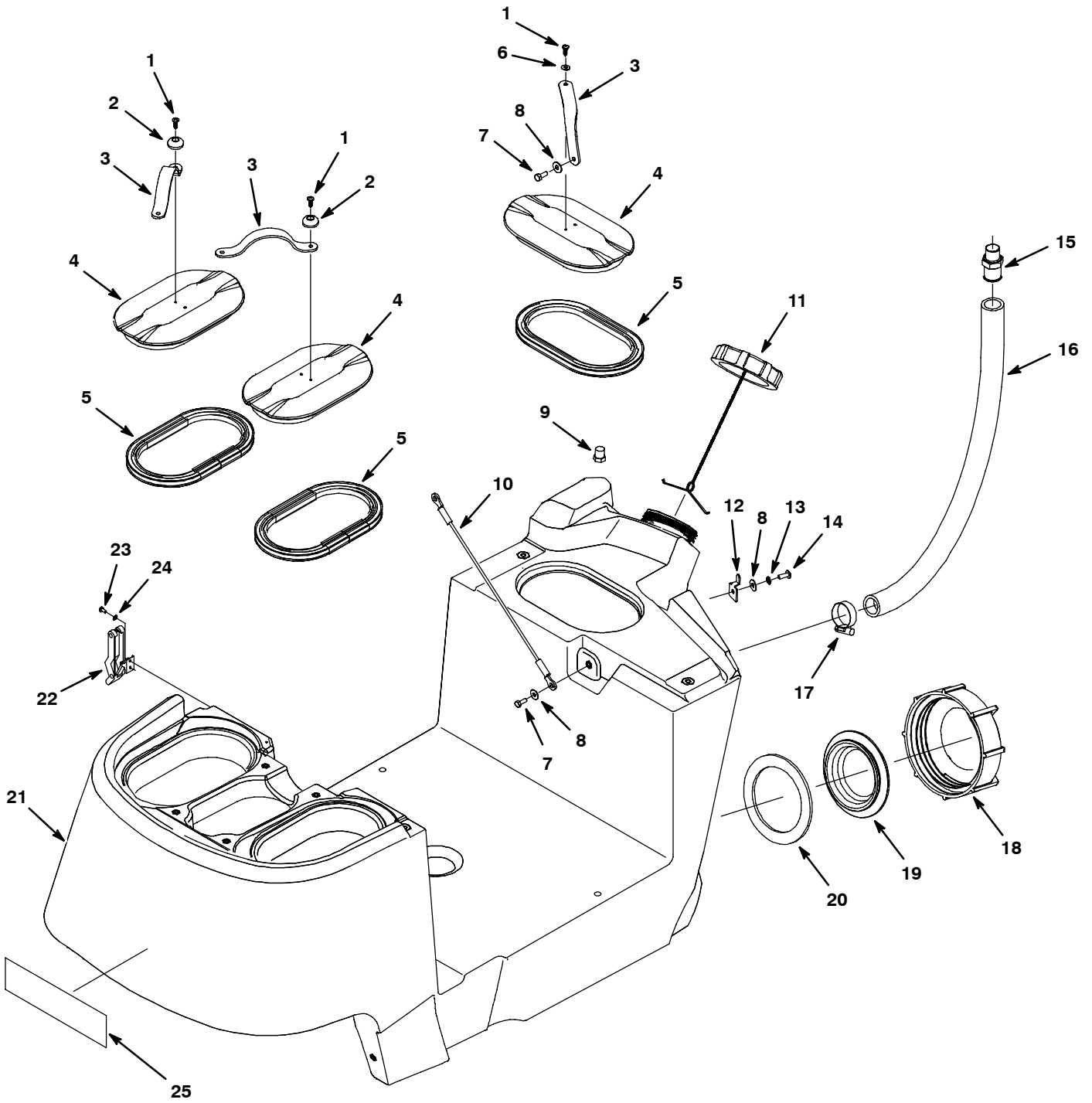
Ref.	Part No.	Serial Number	Description	Qty.
1	1015412	(00000000-	) Rod, Thrd, Full, M06 X 1.0 05.5l	3
2	1022406	(00000000-	) Tube, 0.43d 0.28b 04.2l, Stl, Pl	3
3	07785	(00000000-10358064	) Nut, Hex, Std, M6 X 1.0, A2, Ss	6
4	07515	(00000000-10358064	) Washer, Lock, Int, 0.25 Ss	6
5	01684	(00000000-10358064	) Washer, Flat, 0.25 Ss	9
▽	6	9002562	(00000000-) ● Kit, Motor, Vac	1
▲	7	190163	(00000000-) ● Brush Crbn, Motor, Ele, (1pc=1pack=2brsh)	1
▲	8	130487	(00000000-) ● Housing, Motor, Fan, Vent	1
▲	9	100038	(00000000-) ● Gasket, Vacuum Mtr 5.7 Epdm W/Psa	1
10	1011093	(00000000-	) Isolator, Vib, .75d, M6 Stud Both Ends	3
11	30406	(00000000-	) ● Clip, Keeper	3
12	08712	(00000000-10358064	) Nut, Hex, Lock, M6 X 1.0, Ss, NI	3
▽	13	9002565	(00000000-) ● Kit, Cover, Vac W/Foam	1
▲	14	1024112	(00000000-) ● Pad, Foam, Insulator	1
15	1034731	(00000000-	) Screw, Hex, M6 X 1.00 X 16, Sems, Ss	6
16	1040381	(10358065-	) Nut, Hex, Flng, M6 X 1.0, Ss [Serrated]	9
17	1022375	(00000000-	) Bracket, Mtg, Vacuum	1
18	140897	(00000000-	) Screw, Hex, #10-32 X 0.25, SI [Ground]	1
19	1031368	(00000000-	) Wire, 12ga [Esd, Tubular Braid]	1
20	390677	(00000000-	) Muffler, Exhaust, Vacuum Fan, Long	1
21	130773	(00000000-	) Tie, Cable, Nyl, 11.0l, .14w, 3.0 Max. D	1
22	140052	(00000000-	) Washer, Lock, Ext, 0.25 Ss	1

▽ ASSEMBLY

▲ INCLUDED IN ASSEMBLY

● RECOMMENDED STOCK ITEMS

SOLUTION TANK GROUP



## SOLUTION TANK GROUP

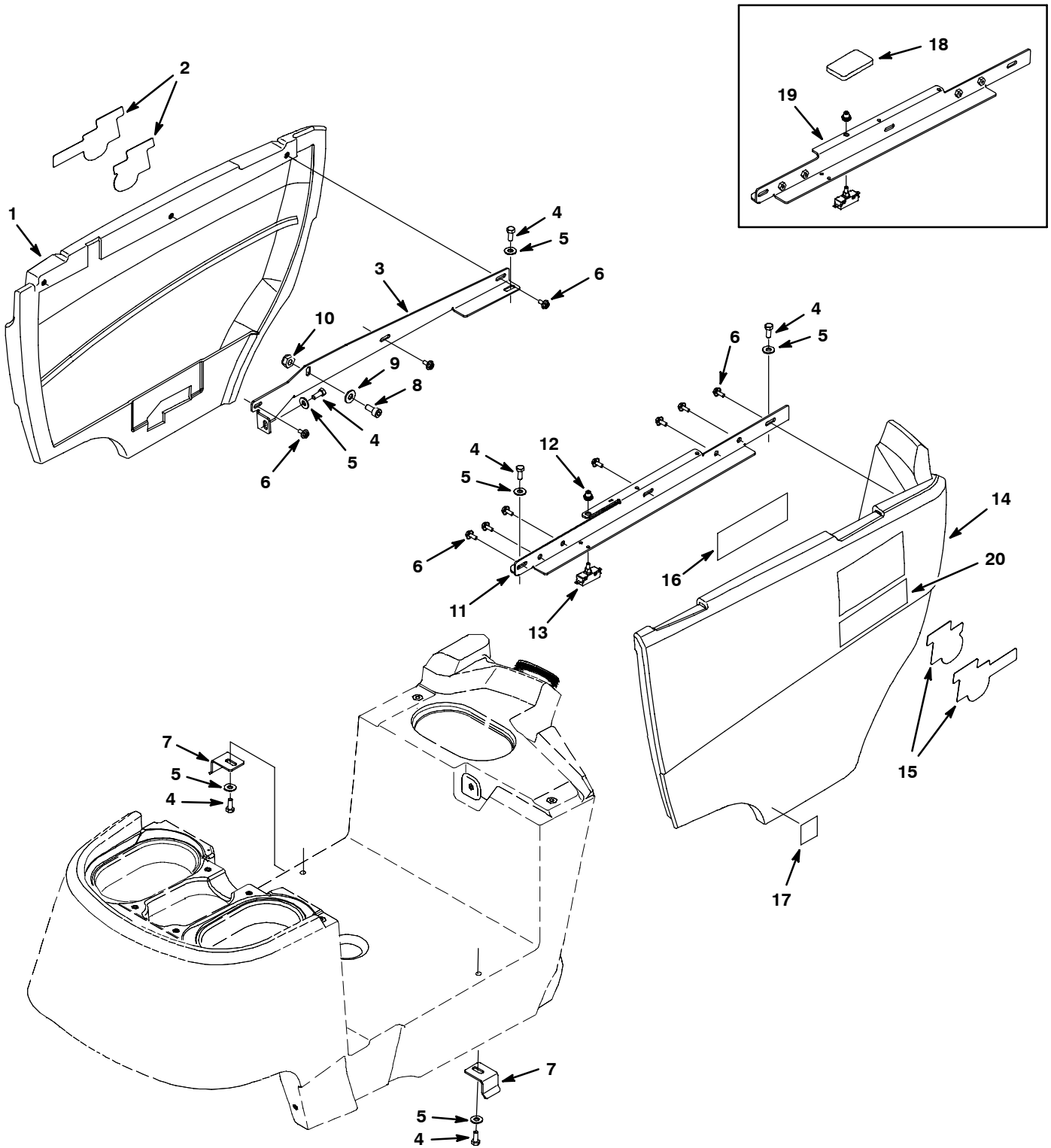
Ref.	Part No.	Serial Number	Description	Qty.
1	1018155	(00000000-	) Screw, Pan, M5 X 0.8 X16, Ss, Tcut	1
2	361554	(00000000-	) Bumper, Rbr, 0.90d 0.38th 0.18h	1
3	1013768	(00000000-	) Strap, Retaining, 20mm X 159mm X 3.2,Blk	3
▽	4	9002566	(00000000-)● Kit, Cover, Solution Tank Fill	3
▲	5	1024868	(00000000-)● Gasket, Lip, Dual Durometer	3
6	01683	(00000000-	) Washer, Flat, #10 Ss	1
7	11329	(00000000-	) Screw, Hex, M6 X 1.0 X 16, Ss, NI	13
8	01684	(00000000-	) Washer, Flat, 0.25 Ss	14
9	22788	(00000000-	) Fitting, Plstc, Plug, Pm04	1
10	140960	(00000000-	) Cable, Glv .13d 014.5l .34eye /.34eye	1
11	1028723	(00000000-	) Cap, Tank, 3.5", Non-Vented	1
12	601460	(00000000-	) Clip, Hanger, Hose, .25d Hole, Clr Zn	1
13	07515	(00000000-	)● Washer, Lock, Int, 0.25 Ss	1
14	608322	(00000000-	) Screw, Trs, M6 X 1.0 X 16, Phl, Ss	1
15	1041082	(00000000-	) Fitting, Plstc, Str, Bm16/Pm12	1
16	1023809	(00000000-	) Hose, Drain, Soltn Tank	1
17	11399	(00000000-	) Clamp, Hose, Wormdrive, 0.81-1.50d, .50w	1
18	1014001	(00000000-	) Cap, Tank, Drain, Thrd	1
19	1014029	(00000000-	) Plug, Cap, Gray	1
20	375206	(00000000-	)● Gasket, Cap, Drain, Rbr .19 4.0b 05.5d.	1
21	9003655	(00000000-	) Tank Kit, Soltn [T5] (Teal)	1
21	9003656	(00000000-	) Tank Kit, Soltn, HG [T5] (Gray)	1
22	49800	(00000000-	)● Latch	1
23	391403	(00000000-	) Screw, Pan, M4 X 0.7 X 8, Ss	2
24	02938	(00000000-	) Washer, Lock, Int, 08 Ss	2
25	1050008	(10378380-	) Label, Front, Ec-H2o [T5/T5e] (Teal)	1
25	1050009	(10378380-	) Label, Front, Ec-H2o [T5 Gray]	1

▽ ASSEMBLY

▲ INCLUDED IN ASSEMBLY

● RECOMMENDED STOCK ITEMS

SIDE PANEL GROUP



SIDE PANEL GROUP

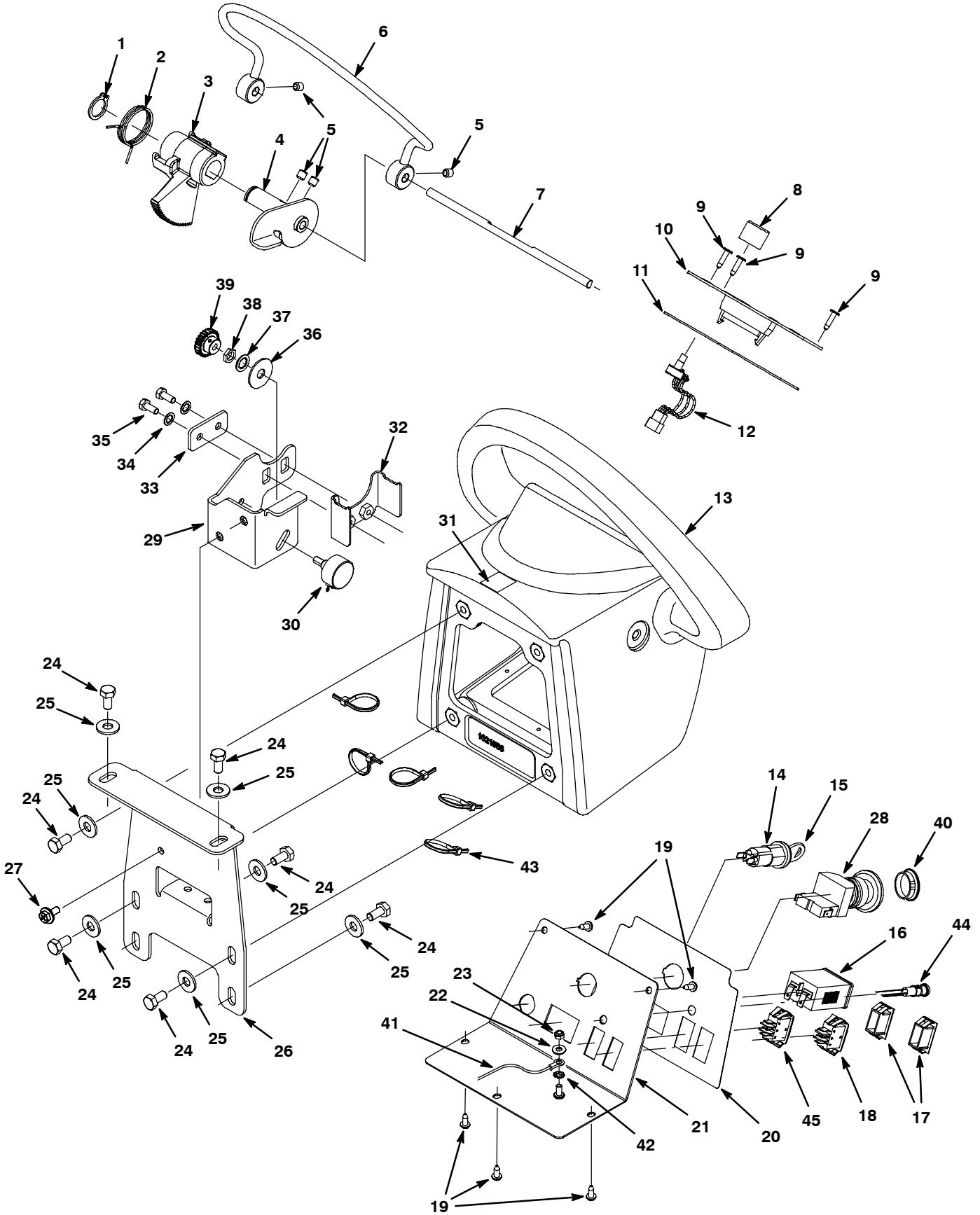
Ref.	Part No.	Serial Number	Description	Qty.
▽	1	9002569	(00000000- )● Kit, Panel, Rh Side (Teal)	1
▲	2	1024779	(00000000- ) Label, Side [T5] (Teal)	1
▲	2	1024780	(00000000- ) Label, Side [T5 Fast] (Teal)	1
▽	1	9002713	(00000000- )● Kit, Panel, Rh Side Hg (Gray)	1
▲	2	1032802	(00000000- ) Label, Side, Gray [T5]	1
▲	2	1032803	(00000000- ) Label, Side, Gray [T5 Fast]	1
	3	1021323	(00000000- ) Rail, Side, Rh	1
	4	12273	(00000000- ) Screw, Hex, M8 X 1.25 X 20, Ss, NI	6
	5	01685	(00000000- ) Washer, Flat, 0.31 Ss	6
	6	1034731	(00000000- ) Screw, Hex, M6 X 1.00 X 16, Sems, Ss	14
	7	1023684	(00000000- ) Bracket, Shroud, Bottom	2
	8	607010	(00000000- ) Screw, Soc, M10 X 1.5 X 20, Ss	1
	9	01686	(00000000- ) Washer, Flat, 0.44b 1.00 .08, Ss	1
	10	08714	(00000000- ) Nut, Hex, Lock, M10 X 1.5, NI, Ss	1
	11	1034954	(10332239- ) Rail, Side, Lh [T5]	1
	12	1035711	(00000000- )● Boot, Switch, Hex Nut, .38-32 Thd	1
	13	606292	(00000000- )● Switch, Push, Actuator, 20amp	1
▽	14	9002567	(00000000- ) Kit, Panel, Lh Side W/O Charger (Teal)	1
▽	14	9002568	(00000000- ) Kit, Panel, Lh Side W/Charger C/O (Teal)	1
▲	15	1024779	(00000000- ) Label, Side [T5] (Teal)	1
▲	15	1024780	(00000000- ) Label, Side [T5 Fast] (Teal)	1
▲	16	1028175	(00000000- ) Label, Instr, Charger Setting	1
▲	17	600624	(00000000- ) Label, Parking Brake, Symbol	1
▽	14	9002711	(00000000- ) Kit, Panel, Lh Side Hg W/O Charger (Gray)	1
▽	14	9002712	(00000000- ) Kit, Panel, Lh Side Hg W/ Chgr C/O (Gray)	1
▲	15	1032802	(00000000- ) Label, Side, Gray [T5]	1
▲	15	1032803	(00000000- ) Label, Side, Gray [T5 Fast]	1
▲	16	1028175	(00000000- ) Label, Instr, Charger Setting	1
▲	17	600624	(00000000- ) Label, Parking Brake, Symbol	1
	18	1032763	(00000000-10332238 )● Gasket, Stand, Support	1
	19	1022301	(00000000-10332238 ) Rail, Side, Lh [T5]	1
	20	1050001	(10378380- ) Label, Side, Ec-H2o [T3/T3e/T5/T7 ] (Teal)	2
	20	1050002	(10378380- ) Label, Side, Ec-H2o [T3/T5/T7 Gray]	2

▽ ASSEMBLY

▲ INCLUDED IN ASSEMBLY

● RECOMMENDED STOCK ITEMS

CONTROL CONSOLE GROUP





## CONTROL CONSOLE GROUP

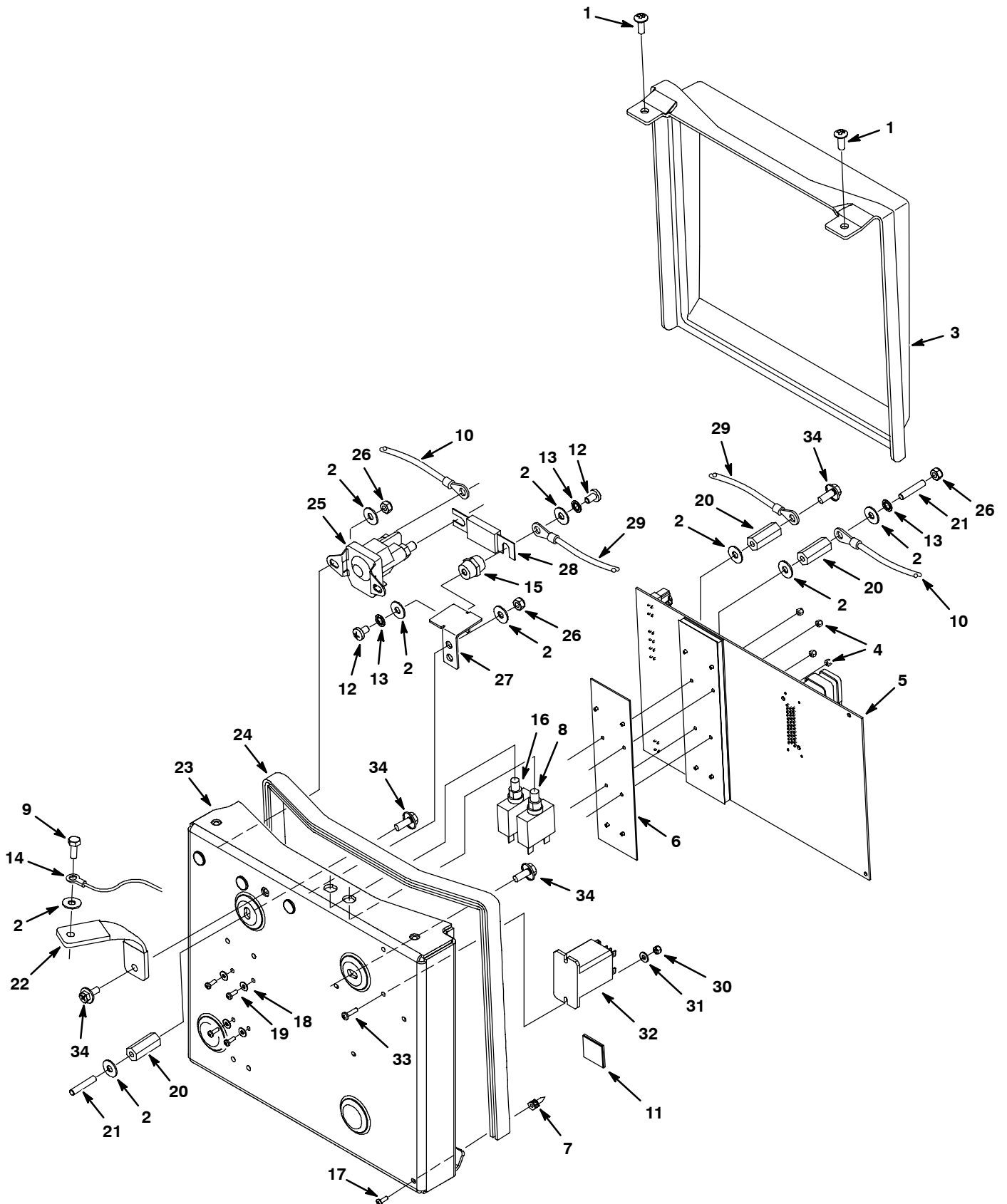
Ref.	Part No.	Serial Number	Description	Qty.
1	1025121	(00000000-	) Ring, Retaining, Hd Ext 19d Shaft	1
2	630088	(00000000-	) Spring, Tors, Cntr, .072mw, Zn	1
3	1021904	(00000000-	) Actuator, Drive, Bail	1
4	1023869	(00000000-	) Shaft Wldt, Actuator, Bail	1
5	1015578	(00000000-	) Screw, Set, M8 X 1.25 X 8, Cuppt, Ss, NI	4
6	1020748	(00000000-	) Lever Wldt, Bail, Console	1
7	1020448	(00000000-	) Shaft, Actuator, Fwd/Rev	1
8	606550	(00000000-	) Knob, Rnd, 0.92d 0.76l 0.25b Plstc	1
9	72969	(00000000-	) Rivet, Plstc, .181d X 0.720	3
▽	10	9002570	(00000000-) ● Kit, Panel, Upper Instmt	1
▲	11	1023554	(00000000-) ● Gasket, Panel, Upper	1
	12	1022706	(00000000-) ● Potentiometer, Control, 0-20k Assy	1
	13	1021586	(00000000-) ) Housing, Cntrl, Trimmed	1
▽	14	1011402	(00000000-) ● Switch, Key	1
▲	15	1017696	(00000000-) ● Key, Replmt, Set Of 2 [F/1011402]	1
	16	1011282	(00000000-) ● Gauge, Hourmeter, 12-60vdc, Analog, Rt., 1	1
	17	582150	(00000000-) ) Button, Plug, Accssry Switch	2
	18	130787	(00000000-) ● Switch, Rocker, V C A Spdt (Optional Wand)	1
	19	1009324	(00000000-) ) Screw, Pan, #10-16 X 0.50, Phl, Ty-17 Blk	5
	20	1023883	(00000000-) ) Label, Opertnl, Lower (Standard & Fast Models)	1
	20	1050006	(10378380-) ) Label, Console, Lower Ec-H2o [T5]	1
	21	1041619	(00000000-) ) Panel, Instmt, Lower Bent [T5]	1
	22	01683	(00000000-) ) Washer, Flat, #10 Ss	1
	23	09739	(00000000-) ) Nut, Hex, Lock, M5 X 0.8, NI, Ss	1
	24	49826	(00000000-) ) Screw, Hex, M8 X 1.25 X 16, Ss, NI	8
	25	01685	(00000000-) ) Washer, Flat, 0.31 Ss	8
	26	1022657	(00000000-) ) Bracket, Mtg, Console, T5	1
	27	1034731	(00000000-) ) Screw, Hex, M6 X 1.00 X 16, Sems, Ss	2
	28	1011735	(00000000-) ● Switch, Safety, Shutoff (Optional)	1
	29	1023516	(00000000-) ) Bracket, Pot, Console	1
	30	1021853	(00000000-) ● Potentiometer Assy, Throttle	1
	31	1016572	(00000000-) ) Label, Dir	1
	32	1015570	(00000000-) ) Bracket, Spring, Balancer, Bail	1
	33	1015826	(00000000-) ) Plate, Screw, Bail	1
	34	07515	(00000000-) ) Washer, Lock, Int, 0.25 Ss	2
	35	15678	(00000000-) ) Screw, Hex, M6 X 1.0 X 16, Ss	2
	36	32662	(00000000-) ) Washer, Flat, 0.38b 1.22d .06, Ss	1
	37	43953	(00000000-) ) Washer, Lock, Int, 0.38 Ss	1
	38	222607	(00000000-) ● Nut, Hex, Thin, .38-32	1
	39	1020403	(00000000-) ) Gear, Spur, 24p, 24t	1
	40	130161	(00000000-) ) Plug, Hole, Rnd, 0.875d, Blk	1
	41	1031368	(00000000-) ) Wire, 12ga [Esd, Tubular Braid, T5]	1
	42	140052	(00000000-) ) Washer, Lock, Ext, 0.25 Ss	1
	43	130773	(00000000-) ) Tie, Cable, Nyl, 11.0l, .14w, 3.0 Max. D	5
	44	1041822	(10378380-) ● Light, Led, .312D, 5 Volt [Tri-Color] (ec-H2O Model)	1
	45	130787	(00000000-) ● Switch, Rocker, V C A Spdt (Fast & ec-H2O Models)	1

▽ ASSEMBLY

▲ INCLUDED IN ASSEMBLY

● RECOMMENDED STOCK ITEMS

COMPONENT PANEL GROUP



## COMPONENT PANEL GROUP

Ref.	Part No.	Serial Number	Description	Qty.
1	608322	(00000000-	) Screw, Trs, M6 X 1.0 X 16, Phl, Ss	2
2	01684	(00000000-	) Washer, Flat, 0.25 Ss	11
3	1022820	(00000000-	) Cover, Electronics	1
4	579211	(00000000-	) Nut, Hex, Lock, M3 X .5, Ss	4
▽	5	9002571	(00000000-)● Kit, Circuitboard, Logic	1
▲		27964	(00000000-)● Strap, Static Ground, Disposable	1
▲	6	1016816	(00000000-)● Pad, Thermal, Heat Sink	1
▲	7	1016825	(00000000-) Support, Circuitboard	4
8	383720	(00000000-	)● Circuitbreaker, 05.0a	1
9	11329	(00000000-	) Screw, Hex, M6 X 1.0 X 16, Ss, NI	1
10	1024479	(00000000-	)● Harness, Battery, Us	1
11	55248	(00000000-	) Mount, Cable Tie	3
12	48732	(00000000-	) Screw, Pan, M6 X 1.0 X 10, Ss	2
13	07515	(00000000-	) Washer, Lock, Int, 0.25 Ss	3
14	1029310	(00000000-	) Harness, Est	1
15	1013523	(00000000-	)● Stand-Off, Wire, M6	1
16	383721	(00000000-	)● Circuitbreaker, 10.0a	1
17	3701.6	(00000000-	) Screw, Pan, #06-32 X 0.38, Phl Ss Shtmtl	4
18	1019218	(00000000-	) Washer, Flat, 0.14b 0.31d, Nyl	4
19	06922	(00000000-	) Screw, Pan, M3 X 0.5 X 20, 4.8	4
20	1002078	(00000000-	) Spacer, .50x X 1.25l, M6 Thread	3
21	1018559	(00000000-	) Screw, Set, M6 X 1.0 X 30, Ss	2
22	1029051	(00000000-	)● Strap, Static, Controller	1
▽	23	9002572	(00000000-)● Kit, Housing, Electrical	1
▲	24	1008675	(00000000-)● Gasket, Foam, Edge (Fr)	1
25	1038490	(00000000-	)● Relay, 24vdc, 100a, No [Trombetta]	1
26	08712	(00000000-	) Nut, Hex, Lock, M6 X 1.0, Ss, NI	3
27	1023868	(00000000-	) Bracket, Stand-Off	1
28	86379	(00000000-	)● Fuse, .88 X 3.2l 100a 125vac	1
29	1024511	(00000000-	)● Cable, Cntrl Red	1
30	33932	(10306157-	) Nut, Hex, Lock, M4 X 0.70, NI, Ss	2
31	19065	(10306157-	) Washer, Flat, #08	2
32	1001219	(10306157-	)● Relay, 24vdc, Dpdt	1
33	24265	(10306157-	) Screw, Pan, M4 X 0.7 X 16, Ss	2
34	1034731	(00000000-	) Screw, Hex, M6 X 1.00 X 16, Sems, Ss	4
NS	1020488	(00000000-	)● Harness, Main, Wire, Us	1
NS	1044416	(10378380-	)● Harness Assy, Wire [T5 Ec-H2o, P3]	1
NS	1035576	(10306157-	)● Harness, Wire, Brake [T5, Na]	1
NS	222290	(00000000-	)● Diode, Ele, Plug	2
NS	1021778	(00000000-	)● Cable, Ribbon	1

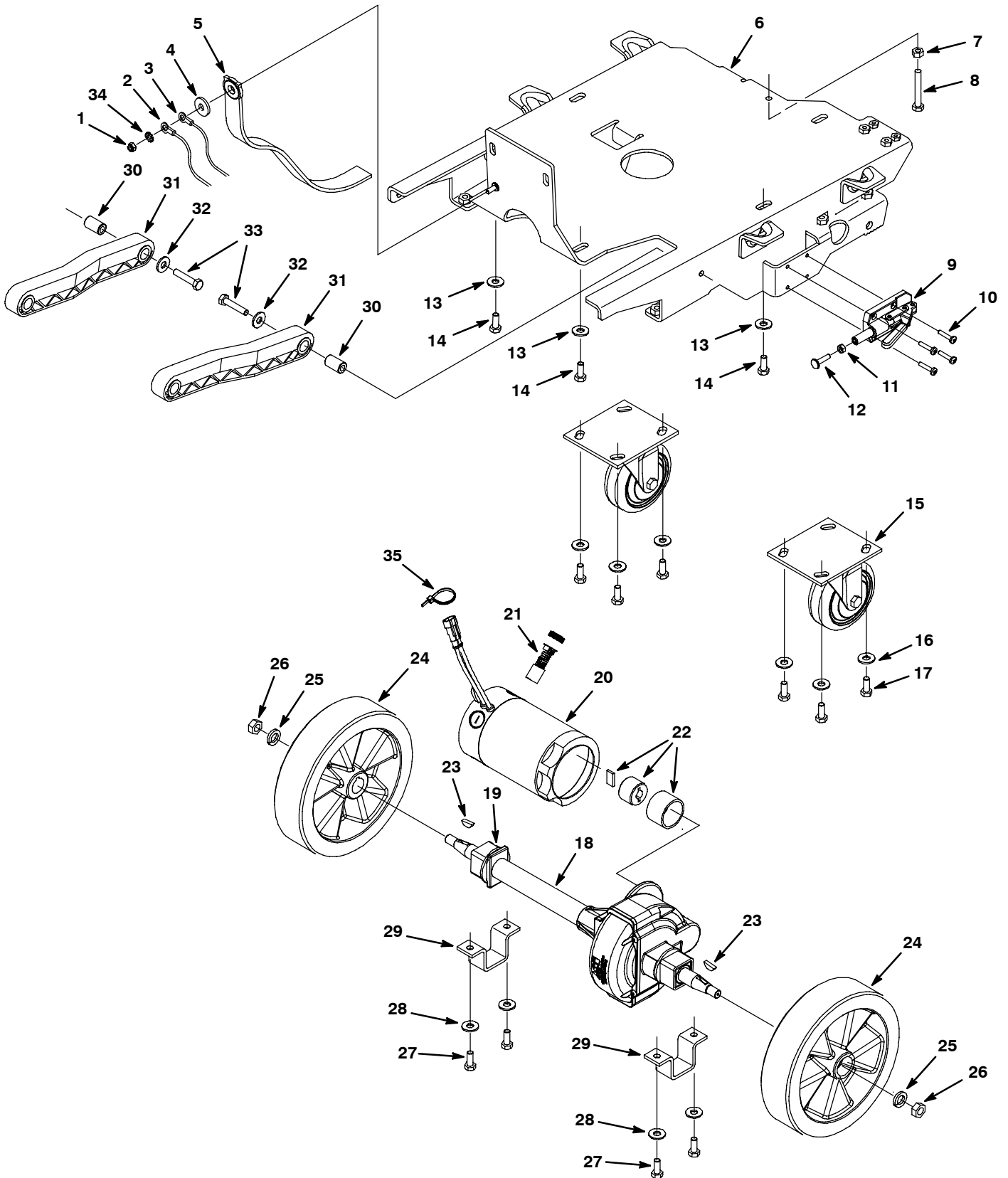
▽ ASSEMBLY

▲ INCLUDED IN ASSEMBLY

● RECOMMENDED STOCK ITEMS

N/S = NOT SHOWN

DRIVE GROUP



DRIVE GROUP

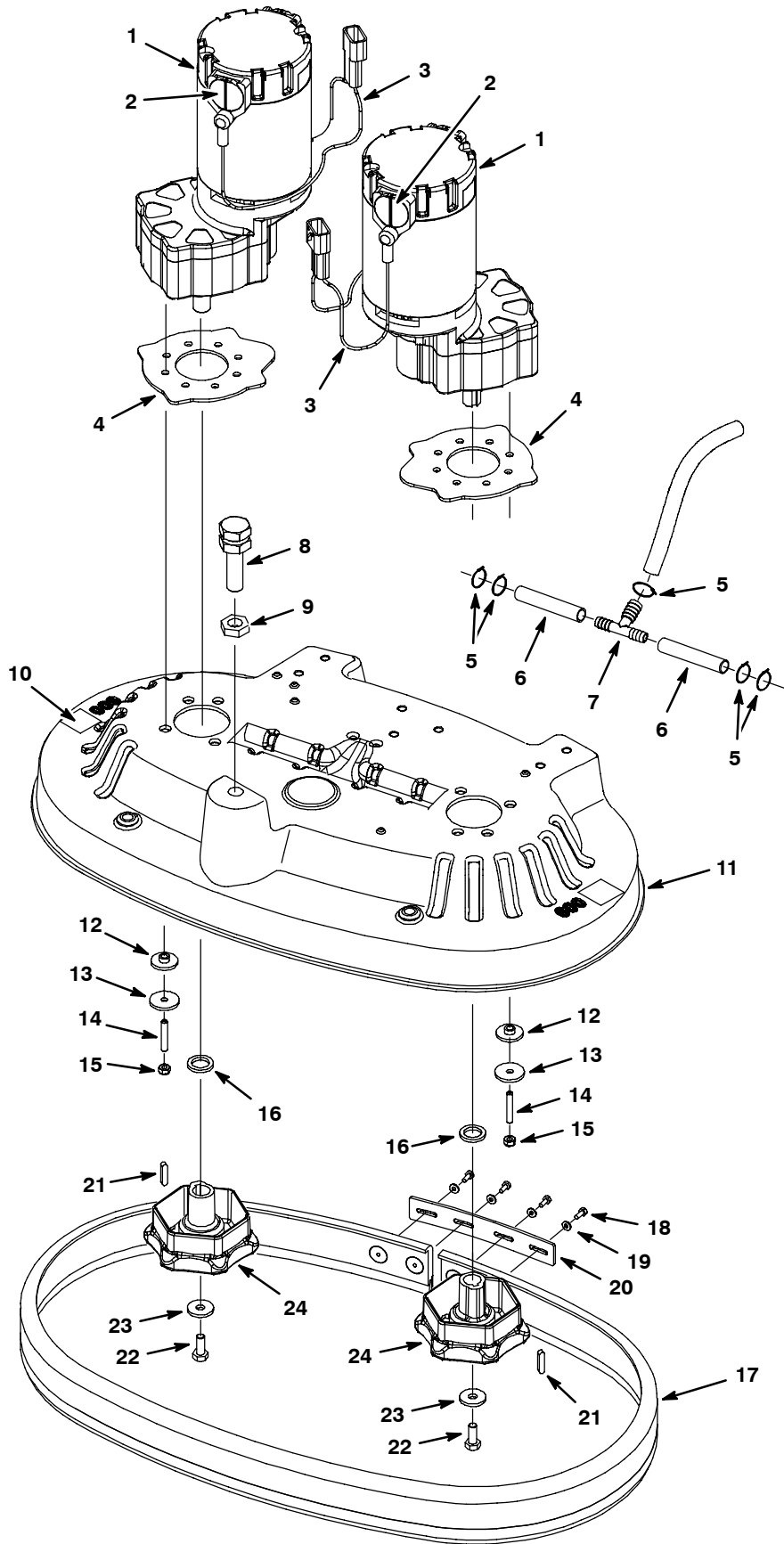
Ref.	Part No.	Serial Number	Description	Qty.
1	08712	(00000000-	) Nut, Hex, Lock, M6 X 1.0, Ss, NI	1
2	1031370	(00000000-	) Wire, 12 Awg X 250mm	1
3	1029310	(00000000-	) Harness, Ground, 12 Awg	1
4	140053	(00000000-	) Washer, Flat, 0.28b 0.88d .12, Ss	1
5	1029181	(00000000-	)● Strap, Static	1
6	1020959	(00000000-	) Frame Wldt, Transaxle	1
7	07786	(00000000-	) Nut, Hex, Std, M8 X 1.25, Ss	1
8	222504	(00000000-	) Screw, Hex, M8 X 1.25 X 55, Ss	1
9	1022878	(00000000-	) Clamp, Str, 30mm Strk (Optional)	1
10	1030769	(00000000-	) Screw, Pan, M5 X 0.8 X 25 Fmg	4
11	07785	(00000000-	) Nut, Hex, Std, M6 X 1.0, A2, Ss	1
12	1017416	(00000000-	) Screw, Weld, M06 X 1.00 X 25, Thru, Ss	1
13	1016331	(00000000-	) Washer, Flat, 0.34b 1.25d .11, Ss	5
14	12273	(00000000-	) Screw, Hex, M8 X 1.25 X 20, Ss, NI	5
15	1049048	(00000000-	)● Caster, Swivel, 4.0d 1.4w, 4hole [400lb]	2
16	01685	(00000000-	) Washer, Flat, 0.31 Ss	8
17	12273	(00000000-	) Screw, Hex, M8 X 1.25 X 20, Ss, NI	8
▽	18	1021168	)● Transaxle, 24vdc, 110rpm [Asi]	1
▲	19	612880	)● Sleeve, Transaxle, Replmt	2
▲▽	20	1031723	)● Motor, Transaxle, 24vdc, Replmt, Asi	1
▲▲	21	614166	)● Brush Kit, Carbon [Qty 4]	1
▲	22	1017782	)● Coupling Kit, Transaxle, Replmt [11057]	1
▲	23	1021167	)● Key, Woodruff, 5mm	2
	24	1020688	)● Wheel, Scrbr, 213.00mm With Taper	2
	25	140024	) Washer, Lock, Splt, 0.50, Ss	2
	26	07788	) Nut, Hex, Std, M12 X 1.75, Ss	2
	27	12273	) Screw, Hex, M8 X 1.25 X 20, Ss, NI	4
	28	01685	) Washer, Flat, 0.31 Ss	4
	29	606001	) Bracket, Transaxle, Mtg, Ylw Zn	2
	30	606056	) Tube, 00.62d 00.32b 01.0l Stl Plt	2
	31	222027	) Arm, Lift, Head	2
	32	01685	) Washer, Flat, 0.31 Ss	2
	33	74440	) Screw, Hex, M8 X 1.25 X 40, Ss, NI	2
	34	140052	) Washer, Lock, Ext, 0.25 Ss	1
	35	130773	) Tie, Cable, Nyl, 11.0l, .14w, 3.0 Max. D	4
N/S	1024588	(00000000-	)● Harness, Chassis, Wire, Us	1

▽ ASSEMBLY

▲ INCLUDED IN ASSEMBLY

● RECOMMENDED STOCK ITEMS

SCRUB HEAD GROUP, DISK 24 in / 600 mm



## SCRUB HEAD GROUP, DISK 24 in / 600 mm

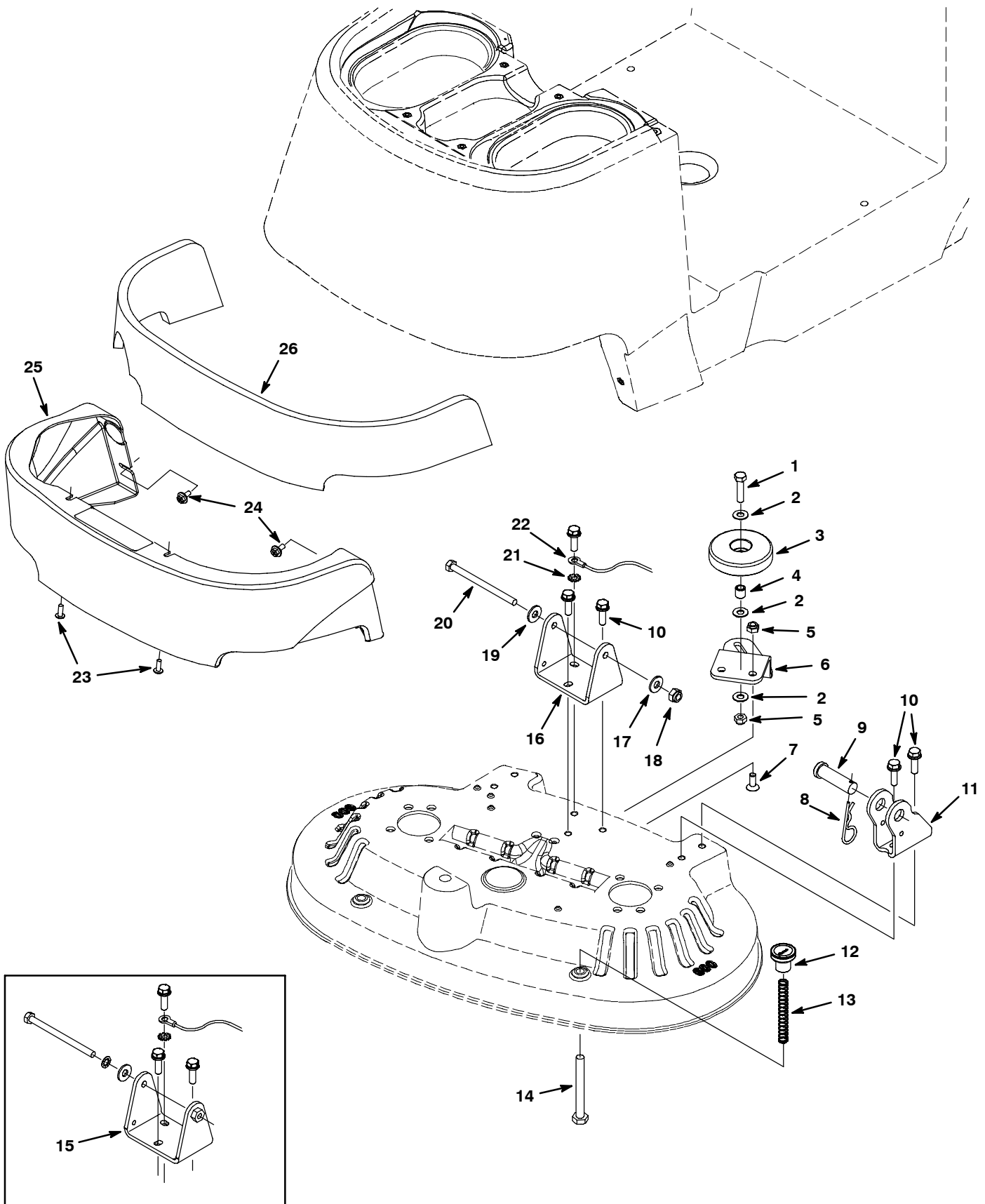
Ref.	Part No.	Serial Number	Description	Qty.
▽	1	1023067	(00000000- )● Motor, Gearbox,24vdc, 220rpm, 0.75hp	2
▲	2	1031775	(00000000- )● Brush, Brush-Motor, Afmkt	1
▲	3	1031681	(00000000- )● Harness, Connector, Brush-Motor-Us	1
	4	1024321	(00000000- )● Spacer, Rbr, Motor	2
	5	130773	(00000000- ) Tie, Cable, Nyl, 11.0l, .14w, 3.0 Max. D	7
	6	606362	(00000000- ) Hose 3/8ldX5/8OdX6.5 (611254)	2
	7	1022556	(00000000- ) Fitting, Plstc, Tee, Bm06/Bm06/Bm08	1
	8	1022424	(00000000- ) Stud, Adj, M16, Scrub Head	1
	9	763066	(00000000- ) Nut, Hex, Jam, M16 X 2.0	1
	10	578769	(00000000- ) Label, Moving Parts	2
	11	1022402	(00000000- ) Housing, Casting, Head, 60cm, Mach	1
	12	1025160	(00000000- ) Grommet, Isolator, 6b X 10od X 26.0fl	8
	13	386063	(00000000- ) Washer, Flat, 0.25b 1.12d .12, Ss	8
	14	1025853	(00000000- )● Screw, Set, M6 X 1.00 X 35, Ss, NI	8
	15	08712	(00000000- ) Nut, Hex, Lock, M6 X 1.0, Ss, NI	8
	16	1022549	(00000000- ) Spacer, Shaft, 17.15b, 25.0d, 3.0t	2
▽	17	1024938	(00000000- )● Bumper Assy, Skirt, Scrub Head, 60cm	1
▲	18	1020234	(00000000- ) Screw, Hex, M4 X 0.7 X 10, Ss	4
▲	19	41578	(00000000- ) Washer, Flat, #06 Ss	4
▲	20	1023573	(00000000- ) Strap, Retaining, Skirt	1
	21	1014328	(00000000- )● Key, Sq, 05mm X 05mm, 25l	2
	22	12273	(00000000- ) Screw, Hex, M8 X 1.25 X 20, Ss, NI	2
	23	1016331	(00000000- ) Washer, Flat, 0.34b 1.25d .11, Ss	2
	24	1022550	(00000000- )● Hub, Drive, Brush, Disk, 17mm Bore	2

▽ ASSEMBLY

▲ INCLUDED IN ASSEMBLY

● RECOMMENDED STOCK ITEMS

SCRUB HEAD GROUP, DISK 24 in / 600 mm - CONT'D





## SCRUB HEAD GROUP, DISK 24 in / 600 mm - CONT'D

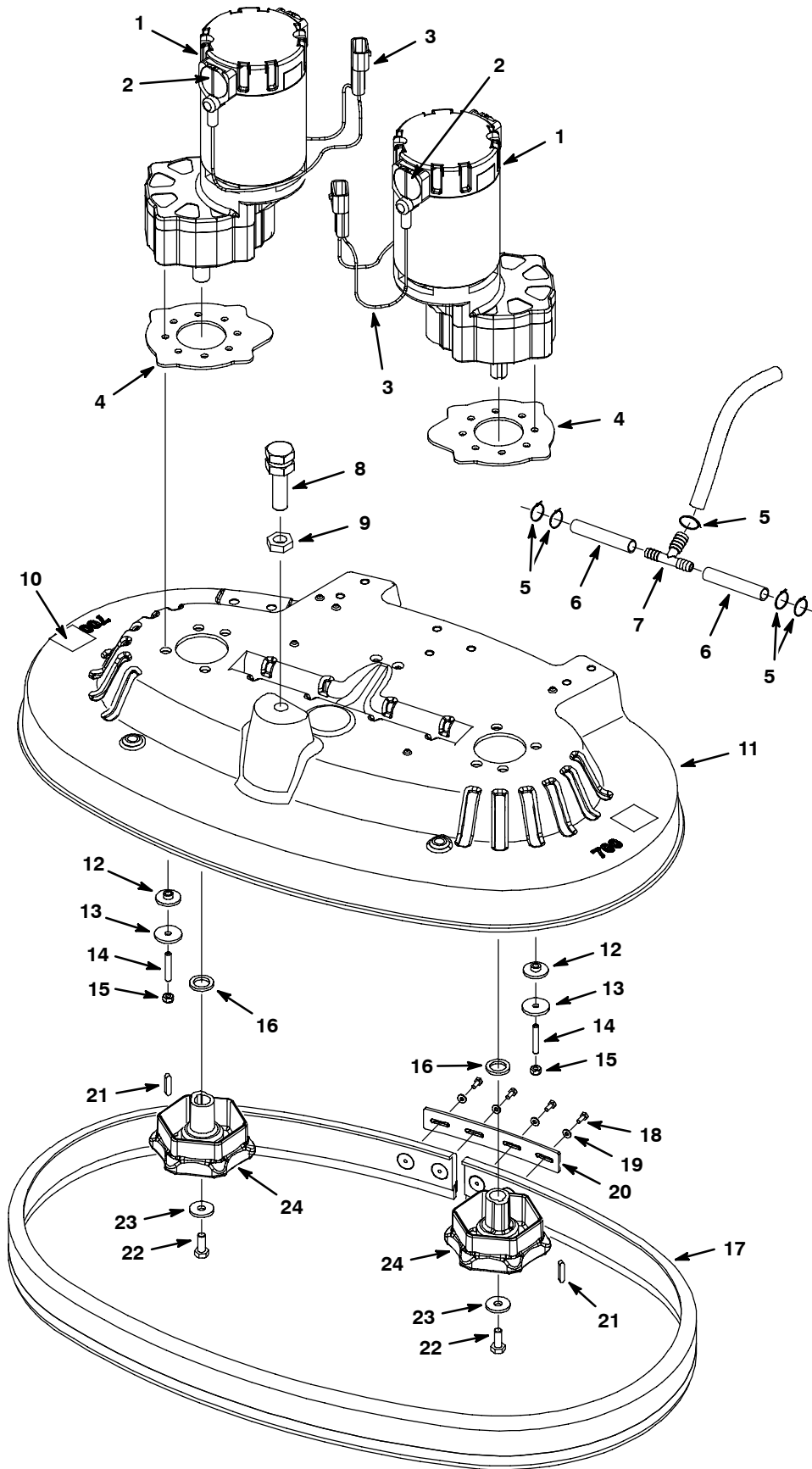
Ref.	Part No.	Serial Number	Description	Qty.
1	09023	(00000000-	) Screw, Hex, M8 X 1.25 X 35, Ss, Fl	1
2	140027	(00000000-	) Washer, Flat, 0.35b 0.75d .04, Ss	3
3	1010560	(00000000-	)● Wheel, Bmpr, 80d X 25w, Non-Marking	1
4	222460	(00000000-	) Sleeve, P/M, 0.496d 0.318b 0.50l 430ss	1
5	08713	(00000000-	) Nut, Hex, Lock, M8 X 1.25, Ni, Ss	3
6	1022344	(00000000-	) Bracket, Roller, Wall, Scrubhead, 60cm	1
7	79246	(00000000-	) Screw, Flt, M8 X 1.25 X 20, Ss 18-8	2
8	02942	(00000000-	) Pin, Hair Cotter, 0.62 D .120 Wir	2
9	222210	(00000000-	) Pin, Clevis, 0.62 D X 2.12l	2
10	76099	(00000000-	) Screw, Hex, M8 X 1.25 X 25, Fmg	7
11	1022227	(00000000-	) Bracket, Link, Scrubhead	2
12	1024179	(00000000-	)● Knob, Knurled, M10 Thread	2
13	626081	(00000000-	)● Spring, Cmpr, 12.1d, 0.9w, 90.0l	2
14	09746	(00000000-	) Screw, Hex, M10 X 1.5 X 90, Ss	2
15	N/A	(00000000-10325113	) (Replaced By Items #16, 17, & 18)	1
16	1036022	(10325114-	) Bracket, Mtg, Actuator, Scb Head	1
17	01685	(10325114-	) Washer, Flat, 0.31 Ss	1
18	08713	(10325114-	) Nut, Hex, Lock, M8 X 1.25, Ni, Ss	1
19	01685	(00000000-	) Washer, Flat, 0.31 Ss	1
20	364441	(00000000-	) Screw, Hex, M8 X 1.25 X 110, Ss	1
21	43952	(00000000-	) Washer, Lock, Int, 0.31, Ss	1
22	1031370	(00000000-	) Wire, 12 Awg X 250mm	1
23	608322	(00000000-	) Screw, Trs, M6 X 1.0 X 16, Phl, Ss	2
24	1034731	(00000000-	) Screw, Hex, M6 X 1.00 X 16, Sems, Ss	2
▽	25	9002676	) Kit, Cover, Disc-Head	1
▲	26	1024437	)● Insulation, Sound, Front	1

▽ ASSEMBLY

▲ INCLUDED IN ASSEMBLY

● RECOMMENDED STOCK ITEMS

SCRUB HEAD GROUP, DISK 28 in / 700 mm



## SCRUB HEAD GROUP, DISK 28 in / 700 mm

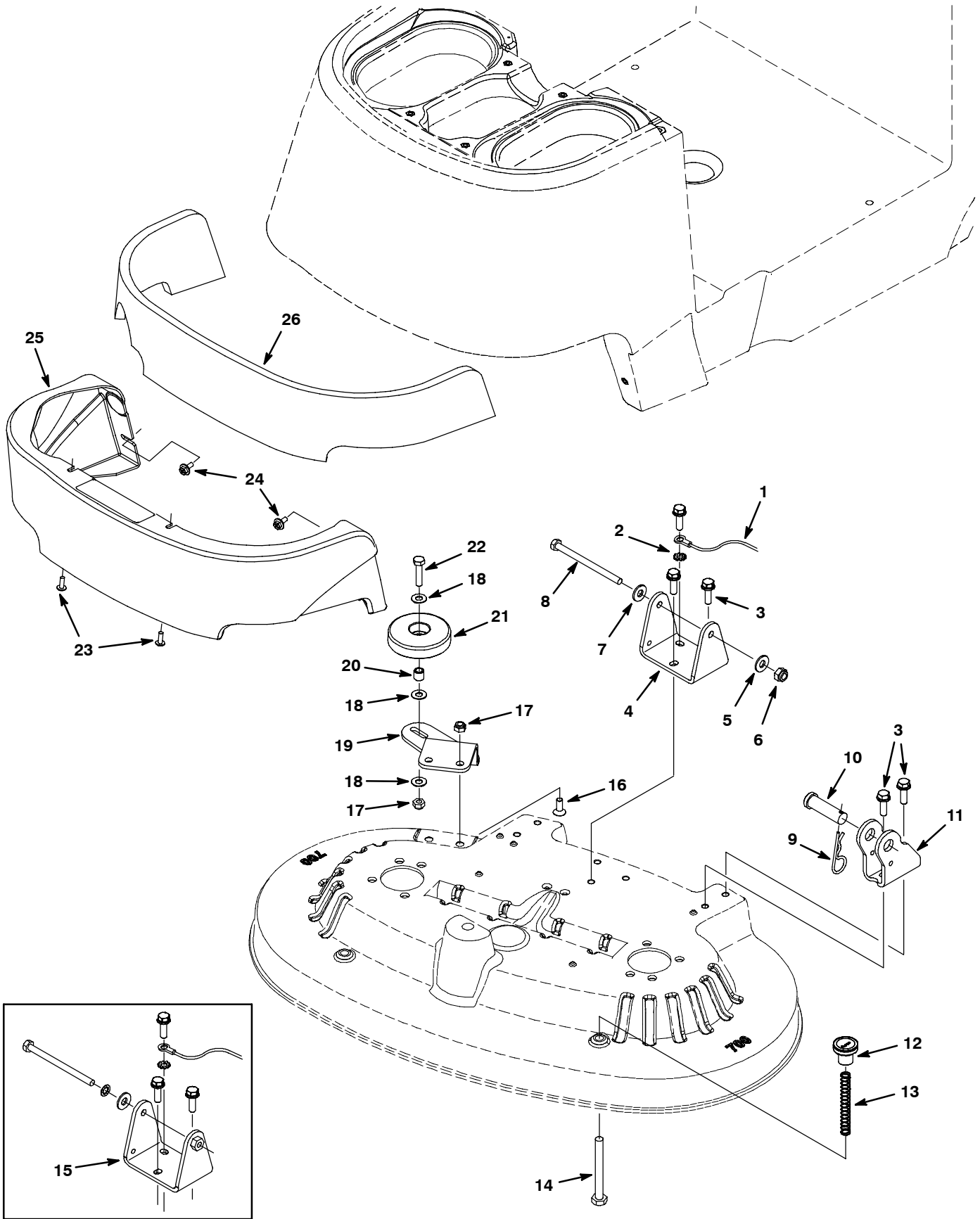
Ref.	Part No.	Serial Number	Description	Qty.
▽	1	1023067	(00000000- )● Motor, Gearbox,24vdc, 220rpm, 0.75hp	2
▲	2	1031775	(00000000- )● Brush, Brush-Motor, Afmkt	1
▲	3	1031681	(00000000- )● Harness, Connector, Brush-Motor-Us	1
	4	1024321	(00000000- )● Spacer, Rbr, Motor	2
	5	130773	(00000000- ) Tie, Cable, Nyl, 11.0l, .14w, 3.0 Max. D	7
	6	606362	(00000000- ) Hose 3/8ldX5/8OdX6.5 (611254)	2
	7	1022556	(00000000- ) Fitting, Plstc, Tee, Bm06/Bm06/Bm08	1
	8	1022424	(00000000- ) Stud, Adj, M16, Scrub Head	1
	9	763066	(00000000- ) Nut, Hex, Jam, M16 X 2.0	1
	10	578769	(00000000- ) Label, Moving Parts	2
	11	1023182	(00000000- ) Housing, Casting, Head, 70cm, Mach	1
	12	1025160	(00000000- ) Grommet, Isolator, 6b X 10od X 26.0fl	8
	13	386063	(00000000- ) Washer, Flat, 0.25b 1.12d .12, Ss	8
	14	1025853	(00000000- )● Screw, Set, M6 X 1.00 X 35, Ss, NI	8
	15	08712	(00000000- ) Nut, Hex, Lock, M6 X 1.0, Ss, NI	8
	16	1022549	(00000000- ) Spacer, Shaft, 17.15b, 25.0d, 3.0t	2
▽	17	1023802	(00000000- )● Bumper Assy, Skirt, Scrub Head, 70cm	1
▲	18	1020234	(00000000- ) Screw, Hex, M4 X 0.7 X 10, Ss	4
▲	19	41578	(00000000- ) Washer, Flat, #06 Ss	4
▲	20	1023573	(00000000- ) Strap, Retaining, Skirt	1
	21	1014328	(00000000- )● Key, Sq, 05mm X 05mm, 25l	2
	22	12273	(00000000- ) Screw, Hex, M8 X 1.25 X 20, Ss, NI	2
	23	1016331	(00000000- ) Washer, Flat, 0.34b 1.25d .11, Ss	2
	24	1022550	(00000000- )● Hub, Drive, Brush, Disk, 17mm Bore	2

▽ ASSEMBLY

▲ INCLUDED IN ASSEMBLY

● RECOMMENDED STOCK ITEMS

SCRUB HEAD GROUP, DISK 28 in / 700 mm - CONT'D



## SCRUB HEAD GROUP, DISK 28 in / 700 mm - CONT'D

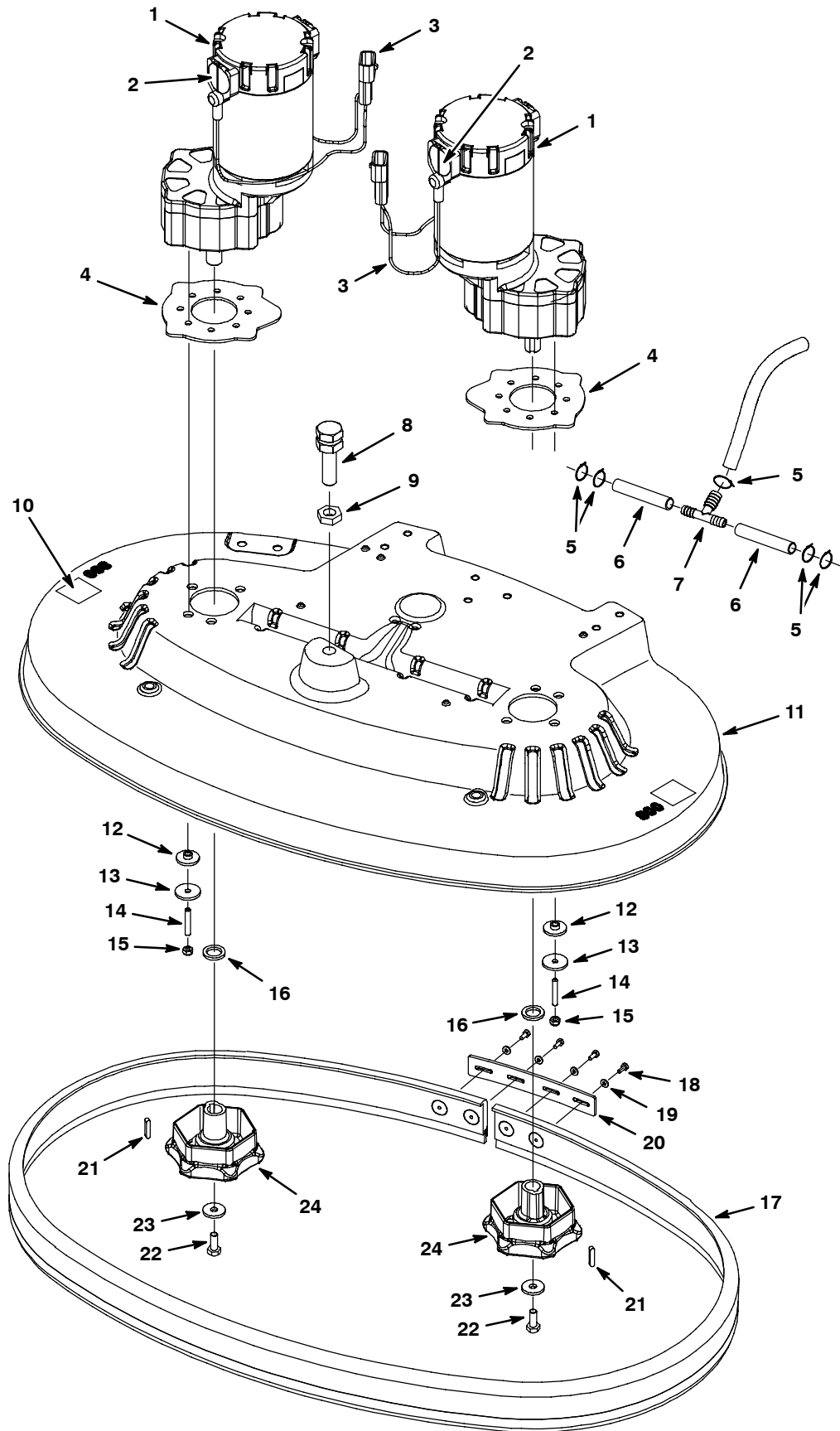
Ref.	Part No.	Serial Number	Description	Qty.
1	1031370	(00000000-	) Wire, 12 Awg X 250mm	1
2	43952	(00000000-	) Washer, Lock, Int, 0.31, Ss	1
3	76099	(00000000-	) Screw, Hex, M8 X 1.25 X 25, Fmg	7
4	1036022	(10325114-	) Bracket, Mtg, Actuator, Scb Head	1
5	01685	(10325114-	) Washer, Flat, 0.31 Ss	1
6	08713	(10325114-	) Nut, Hex, Lock, M8 X 1.25, NI, Ss	1
7	01685	(00000000-	) Washer, Flat, 0.31 Ss	1
8	364441	(00000000-	) Screw, Hex, M8 X 1.25 X 110, Ss	1
9	02942	(00000000-	) Pin, Hair Cotter, 0.62 D .120 Wir	2
10	222210	(00000000-	) Pin, Clevis, 0.62 D X 2.12l	2
11	1022227	(00000000-	) Bracket, Link, Scrubhead	2
12	1024179	(00000000-	)● Knob, Knurled, M10 Thread	2
13	626081	(00000000-	)● Spring, Cmpr, 12.1d, 0.9w, 90.0l	2
14	09746	(00000000-	) Screw, Hex, M10 X 1.5 X 90, Ss	2
15	N/A	(00000000-10325113	) (Replaced By Items #4, 5, & 6)	1
16	79246	(00000000-	) Screw, Flt, M8 X 1.25 X 20, Ss 18-8	2
17	08713	(00000000-	) Nut, Hex, Lock, M8 X 1.25, NI, Ss	3
18	140027	(00000000-	) Washer, Flat, 0.35b 0.75d .04, Ss	3
19	1023268	(00000000-	) Bracket, Roller, Wall, Scb Head, 70cm	1
20	222460	(00000000-	) Sleeve, P/M, 0.496d 0.318b 0.50l 430ss	1
21	1010560	(00000000-	)● Wheel, Bmpr, 80d X 25w, Non-Marking	1
22	09023	(00000000-	) Screw, Hex, M8 X 1.25 X 35, Ss, Fl	1
23	608322	(00000000-	) Screw, Trs, M6 X 1.0 X 16, Phl, Ss	2
24	1034731	(00000000-	) Screw, Hex, M6 X 1.00 X 16, Sems, Ss	2
▽	25	9002676	) Kit, Cover, Disc-Head	1
▲	26	1024437	)● Insulation, Sound, Front	1

▽ ASSEMBLY

▲ INCLUDED IN ASSEMBLY

● RECOMMENDED STOCK ITEMS

SCRUB HEAD GROUP, DISK 32 in / 800 mm



## SCRUB HEAD GROUP, DISK 32 in / 800 mm

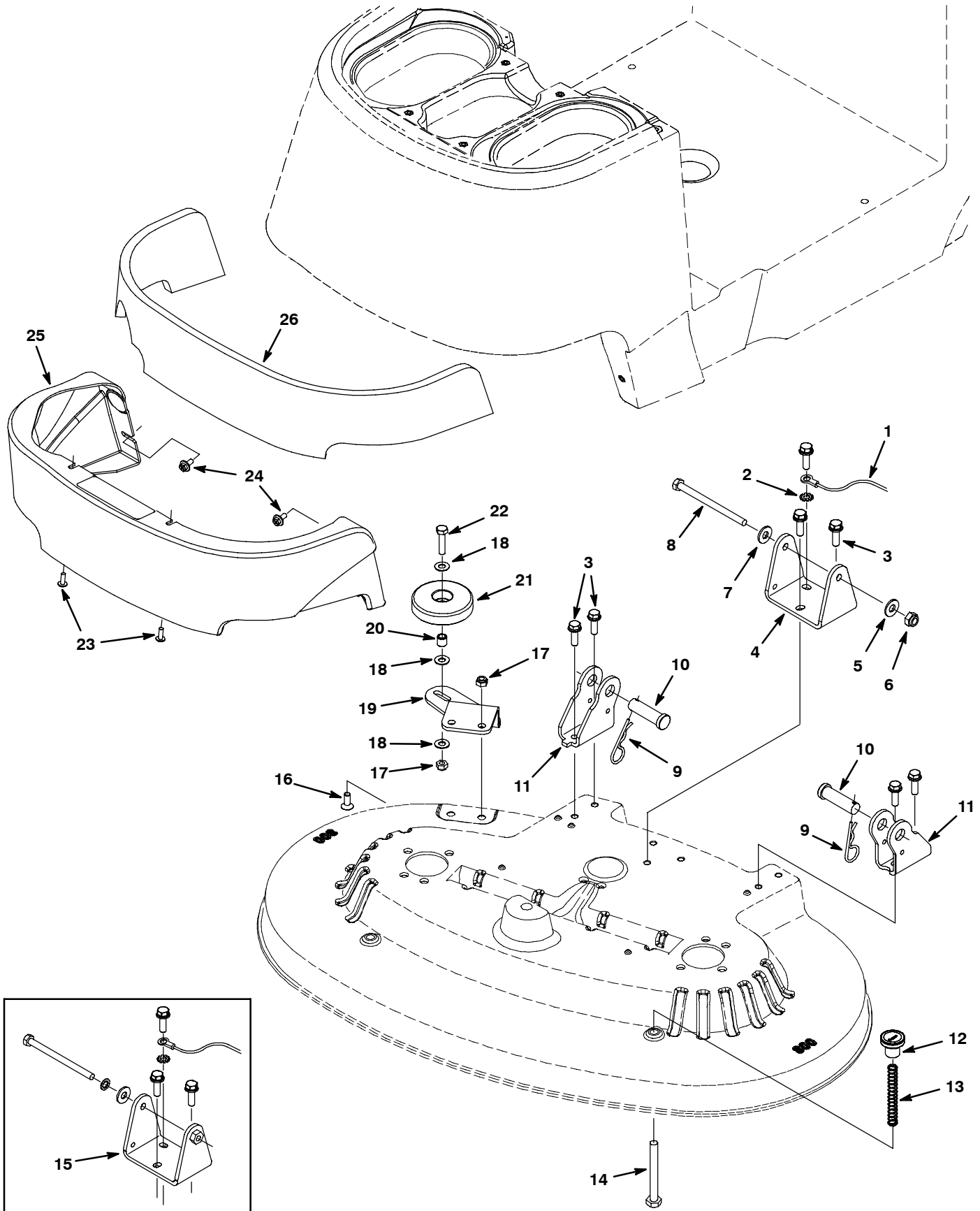
Ref.	Part No.	Serial Number	Description	Qty.
▽	1	1023067	(00000000- )● Motor, Gearbox,24vdc, 220rpm, 0.75hp	2
▲	2	1031775	(00000000- )● Brush, Brush-Motor, Afmkt	1
▲	3	1031681	(00000000- )● Harness, Connector, Brush-Motor-Us	1
	4	1024321	(00000000- )● Spacer, Rbr, Motor	2
	5	130773	(00000000- ) Tie, Cable, Nyl, 11.0l, .14w, 3.0 Max. D	7
	6	606885	(00000000- ) Hose 3/8idx5/8odx7.75 (611254)	2
	7	1022556	(00000000- ) Fitting, Plstc, Tee, Bm06/Bm06/Bm08	1
	8	1022424	(00000000- ) Stud, Adj, M16, Scrub Head	1
	9	763066	(00000000- ) Nut, Hex, Jam, M16 X 2.0	1
	10	578769	(00000000- ) Label, Moving Parts	2
	11	1023697	(00000000- ) Housing, Casting, Head, 80cm, Mach	1
	12	1025160	(00000000- ) Grommet, Isolator, 6b X 10od X 26.0fl	8
	13	386063	(00000000- ) Washer, Flat, 0.25b 1.12d .12, Ss	8
	14	1025853	(00000000- )● Screw, Set, M6 X 1.00 X 35, Ss, NI	8
	15	08712	(00000000- ) Nut, Hex, Lock, M6 X 1.0, Ss, NI	8
	16	1022549	(00000000- ) Spacer, Shaft, 17.15b, 25.0d, 3.0t	2
▽	17	1024941	(00000000- )● Bumper Assy, Skirt, Scrub Head, 80cm	1
▲	18	1020234	(00000000- ) Screw, Hex, M4 X 0.7 X 10, Ss	4
▲	19	41578	(00000000- ) Washer, Flat, #06 Ss	4
▲	20	1023573	(00000000- ) Strap, Retaining, Skirt	1
	21	1014328	(00000000- )● Key, Sq, 05mm X 05mm, 25l	2
	22	12273	(00000000- ) Screw, Hex, M8 X 1.25 X 20, Ss, NI	2
	23	1016331	(00000000- ) Washer, Flat, 0.34b 1.25d .11, Ss	2
	24	1022550	(00000000- )● Hub, Drive, Brush, Disk, 17mm Bore	2

▽ ASSEMBLY

▲ INCLUDED IN ASSEMBLY

● RECOMMENDED STOCK ITEMS

SCRUB HEAD GROUP, DISK 32 in / 800 mm - CONT'D





## SCRUB HEAD GROUP, DISK 32 in / 800 mm - CONT'D

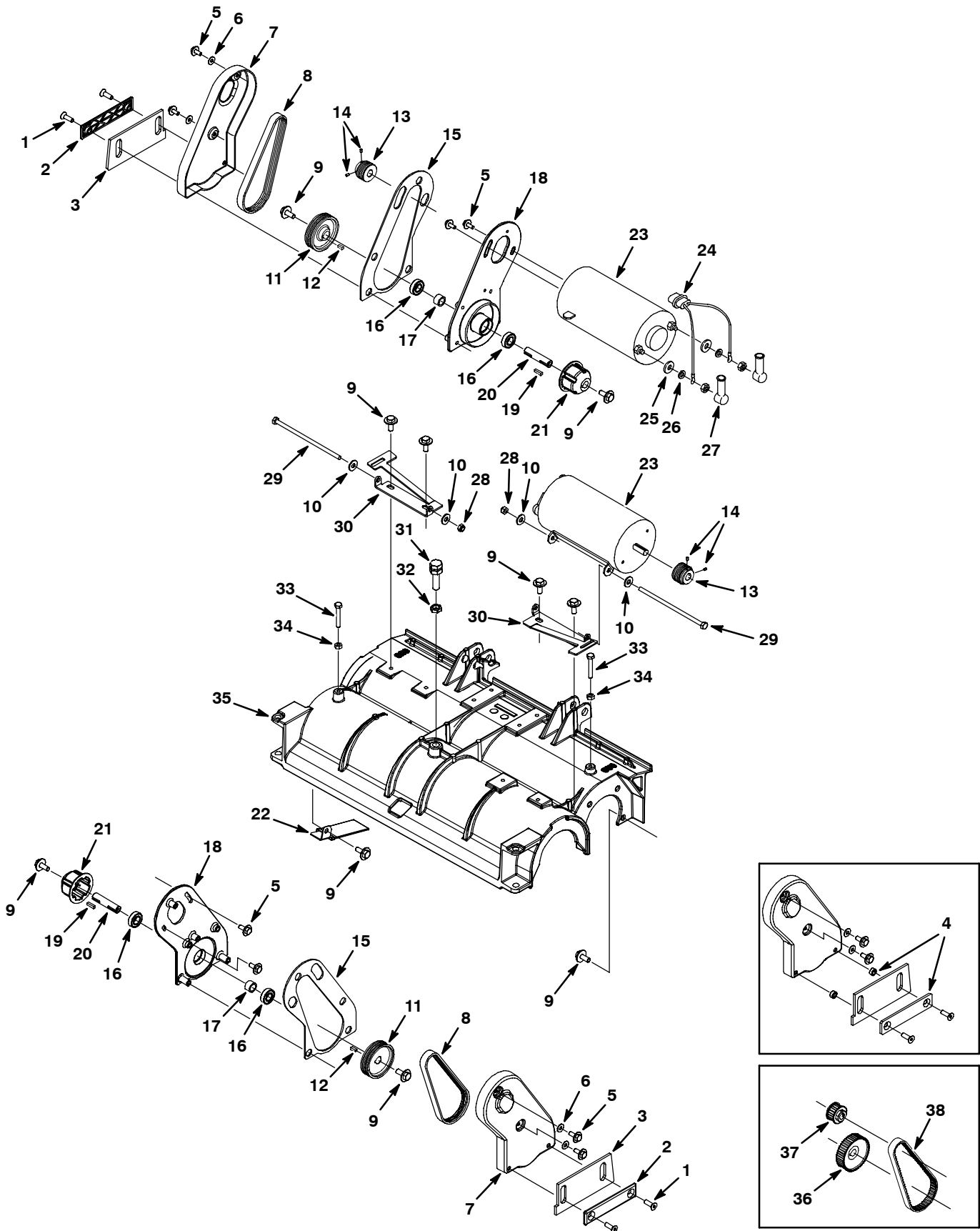
Ref.	Part No.	Serial Number	Description	Qty.	
1	1031370	(00000000-	) Wire, 12 Awg X 250mm	1	
2	43952	(00000000-	) Washer, Lock, Int, 0.31, Ss	1	
3	76099	(00000000-	) Screw, Hex, M8 X 1.25 X 25, Fmg	7	
4	1036022	(10325114-	) Bracket, Mtg, Actuator, Scb Head	1	
5	01685	(10325114-	) Washer, Flat, 0.38b 0.88d .08, Ss	1	
6	08713	(10325114-	) Nut, Hex, Lock, M8 X 1.25, NI, Ss	1	
7	01685	(00000000-	) Washer, Flat, 0.31 Ss	1	
8	364441	(00000000-	) Screw, Hex, M8 X 1.25 X 110, Ss	1	
9	02942	(00000000-	) Pin, Hair Cotter, 0.62 D .120 Wir	2	
10	222210	(00000000-	) Pin, Clevis, 0.62 D X 2.12l	2	
11	1022227	(00000000-	) Bracket, Link, Scrubhead	2	
12	1024179	(00000000-	)● Knob, Knurled, M10 Thread	2	
13	626081	(00000000-	)● Spring, Cmpr, 12.1d, 0.9w, 90.0l	2	
14	09746	(00000000-	) Screw, Hex, M10 X 1.5 X 90, Ss	2	
15	N/A	(00000000-10325113	) (Replaced By Items #4, 5, & 6)	1	
16	79246	(00000000-	) Screw, Flt, M8 X 1.25 X 20, Ss 18-8	2	
17	08713	(00000000-	) Nut, Hex, Lock, M8 X 1.25, NI, Ss	3	
18	140027	(00000000-	) Washer, Flat, 0.35b 0.75d .04, Ss	3	
19	1023268	(00000000-	) Bracket, Roller, Wall, Scb Head, 70cm	1	
20	222460	(00000000-	) Sleeve, P/M, 0.496d 0.318b 0.50l 430ss	1	
21	1010560	(00000000-	)● Wheel, Bmpr, 80d X 25w, Non-Marking	1	
22	09023	(00000000-	) Screw, Hex, M8 X 1.25 X 35, Ss, Fl	1	
23	608322	(00000000-	) Screw, Trs, M6 X 1.0 X 16, Phl, Ss	2	
24	1034731	(00000000-	) Screw, Hex, M6 X 1.00 X 16, Sems, Ss	2	
▽	25	9002676	(00000000-	) Kit, Cover, Disc-Head	1
▲	26	1024437	(00000000-	)● Insulation, Sound, Front	1

▽ ASSEMBLY

▲ INCLUDED IN ASSEMBLY

● RECOMMENDED STOCK ITEMS

SCRUB HEAD GROUP, CYLINDRICAL 26 in / 650 mm



SCRUB HEAD GROUP, CYLINDRICAL 26 in / 650 mm

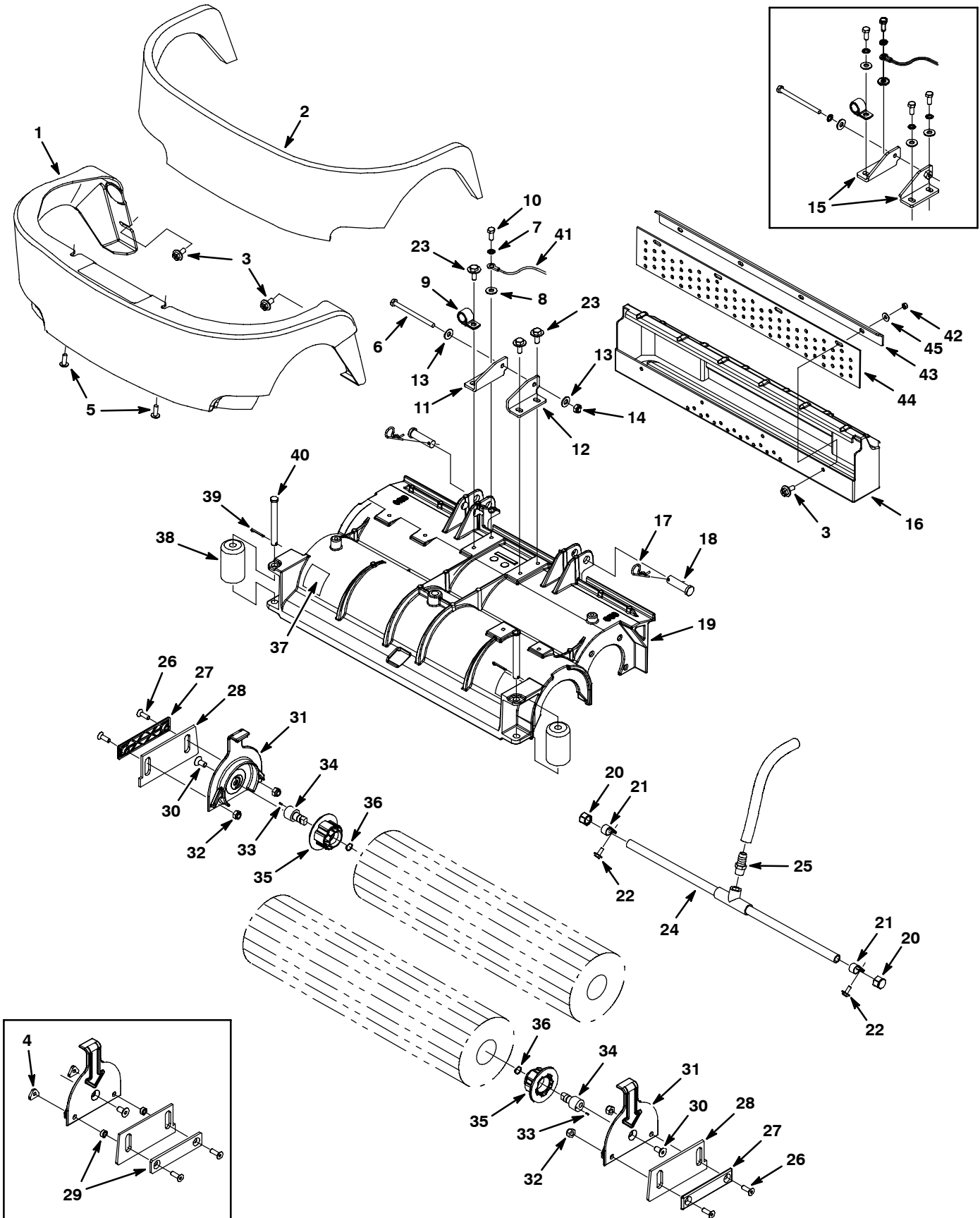
Ref.	Part No.	Serial Number	Description	Qty.	
1	222692	(00000000-	) Screw, Flt, M8 X1.25 X 25, Ss, 18-8, NI	4	
2	1036245	(10383861-	) Retainer, Blade, Sqge, Side, Blk, Nyl	2	
3	1026292	(00000000-	) Skirt, Side, Scb, Cyl	2	
4	N/A	(00000000-10383860	) (Replaced By Item #2)	4	
5	1034731	(00000000-	) Screw, Hex, M6 X 1.00 X 16, Sems, Ss	8	
6	01684	(00000000-	) Washer, Flat, 0.25 Ss	4	
7	1022807	(00000000-	) Cover, Belt	2	
8	1035888	(10338658-	)● Belt, Drive, 6Grv, 508l X 14w, [6Pj]	2	
9	1020341	(00000000-	) Screw, Hex, M8 X 1.25 X 20, Sems, Ss	16	
10	01685	(00000000-	) Washer, Flat, 0.31 Ss	4	
11	1035173	(10338658-	)● Sheave, 06Grv, 2.96pd, 0.59b, Alm [Pj]	2	
12	00961	(00000000-	)● Key, Sq, 0.19 X 0.19, 0.50l	2	
13	1033528	(10338658-	)● Sheave, 06Grv, 1.33pd, 0.50b, Alm [Pj]	2	
14	222818	(00000000-	) Screw, Set, #08-32 X 0.25, NI	4	
15	1022401	(00000000-	)● Gasket, Cover, Belt	2	
16	41360	(00000000-	) Bearing, Ball, 0.59b 1.26d 0.35w [2seal]	4	
17	1002077	(00000000-	) Spacer, 0.59b 0.81d 0.50l	2	
18	1021036	(00000000-	) Bracket, Motor, Machined	2	
19	00911	(00000000-	)● Key, Sq, 0.19 X 0.19, 0.75l	2	
20	1021050	(00000000-	) Shaft, Drive	2	
21	378805	(00000000-	)● Plug, Drive, Brush, Mach	2	
22	1029358	(00000000-	) Deflector, Water, Cyl Head	1	
▽	23	604980	(00000000-	)● Motor, Ele, 24vdc 0.75hp 1500rpm 23a	2
▲		190152	(00000000-	)● Brush, Carbon [Pk=4]	2
▲		605305	(00000000-	)● Spring, Motor, F/ Carbon Brush	8
24	606795	(00000000-	)● Harness Motor Cyl-Brush	2	
25	140027	(00000000-	) Washer, Flat, 0.35b 0.75d .04, Ss	4	
26	43952	(00000000-	) Washer, Lock, Int, 0.31 Ss	4	
27	608964	(00000000-	)● Boot, 90deg .27id 0.64id 1.79l, Blk	4	
28	08713	(00000000-	) Nut, Hex, Lock, M8 X 1.25, NI, Ss	2	
29	1025026	(00000000-	) Screw, Hex, M8 X 1.25 X 180, Ss	2	
30	1021172	(00000000-	) Bracket, Mounting, Motor	2	
31	1022424	(00000000-	) Stud, Adj, M16, Scrub Head	1	
32	763066	(00000000-	) Nut, Hex, Jam, M16 X 2.0	1	
33	578717	(00000000-	) Screw, Hex, M8 X 1.25 X 50, Ss	2	
34	07786	(00000000-	) Nut, Hex, Std, M8 X 1.25, Ss	2	
35	1022624	(00000000-	) Housing, Head, 65cm Cyl, Mach	1	
36	1024636	(00000000-10338657	)● Sprocket, 48t, 5p V2	2	
37	375195	(00000000-10338657	)● Sprocket, Timing, 22tooth, 0.50b, [Gt/2]	2	
38	377500	(00000000-10338657	)● Belt,Synchronous, 500l,15mm [05p,Plychn]	2	

▽ ASSEMBLY

▲ INCLUDED IN ASSEMBLY

● RECOMMENDED STOCK ITEMS

SCRUB HEAD GROUP, CYLINDRICAL 26 in / 650 mm - CONT'D



## SCRUB HEAD GROUP, CYLINDRICAL 26 in / 650 mm - CONT'D

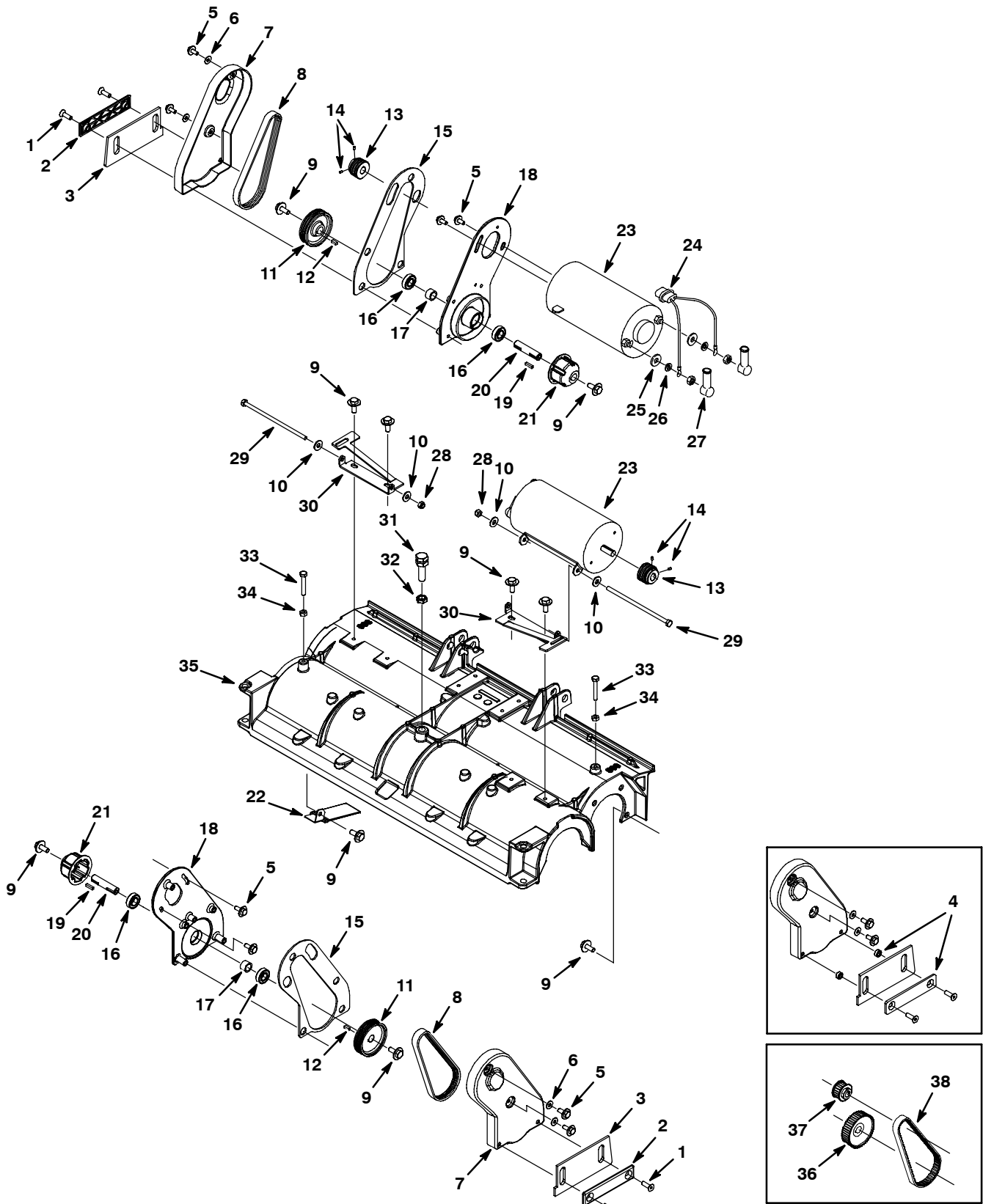
Ref.	Part No.	Serial Number	Description	Qty.
▽	1	9002677	(00000000- ) Kit, Cover, Cyl-Head	1
▲	2	1024940	(00000000- )● Insulation, Sound, Front, Cyl Head	1
	3	1034731	(00000000- ) Screw, Hex, M6 X 1.00 X 16, Sems, Ss	6
	4	N/A	(00000000-10383860 ) (Replaced By Item #32)	4
	5	608322	(00000000- ) Screw, Trs, M6 X 1.0 X 16, Phl, Ss	2
	6	364441	(00000000- ) Screw, Hex, M8 X 1.25 X 110, Ss	1
	7	43952	(00000000- ) Washer, Lock, Int, 0.31 Ss	1
	8	01685	(00000000- ) Washer, Flat, 0.31 Ss	1
	9	140314	(00000000- ) Clamp, Cable, Stl, 0.75d X 0.75w, 1h, Yl	1
	10	12273	(00000000- ) Screw, Hex, M8 X 1.25 X 20, Ss, NI	1
	11	1036032	(10330480- ) Bracket, Lift, Head, Rh	1
	12	1036025	(10330480- ) Bracket, Lift, Head, Lh	1
	13	01685	(00000000- ) Washer, Flat, 0.31 Ss	1
	14	08713	(10330480- ) Nut, Hex, Lock, M8 X 1.25, NI, Ss	1
	15	N/A	(00000000-10330479 ) (Replaced By Items #11, 12, 13, & 14)	1
	16	1023465	(00000000- ) Hopper, 65cm, Rm-Blk	1
	17	02942	(00000000- ) Pin, Hair Cotter, 0.62 D .120 Wir	2
	18	222210	(00000000- ) Pin, Clevis, 0.62 D X 2.12l	2
	19	1022624	(00000000- ) Housing, Head, 65cm Cyl, Mach	1
	20	1025580	(00000000- )● Cap, Plstc, Pf12	2
	21	33584	(00000000- ) Clamp, Cable, Stl, 0.63d X 0.50w, 1h	2
	22	1034731	(00000000- ) Screw, Hex, M6 X 1.00 X 16, Sems, Ss	2
	23	1020341	(00000000- ) Screw, Hex, M8 X 1.25 X 20, Sems, Ss	3
	24	1046049	(00000000- )● Tube Assy, Bar, Spray	1
	25	64743	(00000000- ) Fitting, Plstc, Str, Bm08/Pm06	1
	26	222692	(00000000- ) Screw, Flt, M8 X1.25 X 25, Ss, 18-8, NI	4
	27	1036245	(10383861- ) Retainer, Blade, Sqge, Side, Blk, Nyl	2
	28	1026292	(00000000- ) Skirt, Side, Scb, Cyl	2
	29	N/A	(00000000-10383860 ) (Replaced By Item #27)	4
	30	390996	(00000000- ) Screw, Flt, M10 X 1.5 X 20, 10.9, NI	2
	31	1044145	(00000000- ) Door, Brush	2
	32	08713	(10383861- ) Nut, Hex, Lock, M8 X 1.25, NI, Ss	4
	33	222184	(00000000- ) Pin, Roll, .094 D X 0.25l, .094/.097	2
	34	222177	(00000000- ) Shaft, Idler Plug	2
	35	379202	(00000000- ) Plug, Idler, Brush, [Sgl Brg]	2
	36	01516	(00000000- ) Ring, Retaining, Ext, 0.59d, Basic	2
	37	578769	(00000000- ) Label, Moving Parts	2
	38	222178	(00000000- )● Roller, Pyu, 1.88d 0.53b 3.05l	2
	39	578421	(00000000- ) Pin, Cotter, .125d X 1.00l	2
	40	222196	(00000000- ) Pin, Clevis, 0.50 D X 4.25l	2
	41	1031370	(00000000- ) Wire, 12 Awg X 250mm	1
	42	07785	(00000000- ) Nut, Hex, Std, M6 X 1.0, A2, Ss	4
	43	1023536	(00000000- ) Lip, Tray, Debris, Scrubhead, 65cm	1
	44	1025272	(00000000- )● Skirt, Tray, Debris, 65cm	1
	45	01684	(00000000- )● Washer, Flat, 0.27b 0.69d .05, Ss	4

▽ ASSEMBLY

▲ INCLUDED IN ASSEMBLY

● RECOMMENDED STOCK ITEMS

SCRUB HEAD GROUP, CYLINDRICAL 32 in / 800 mm



SCRUB HEAD GROUP, CYLINDRICAL 32 in / 800 mm

Ref.	Part No.	Serial Number	Description	Qty.
1	222692	(00000000-	) Screw, Flt, M8 X1.25 X 25, Ss, 18-8, NI	4
2	1036245	(10353861-	) Retainer, Blade, Sqge, Side, Blk, Nyl	2
3	1026292	(00000000-	) Skirt, Side, Scb, Cyl	2
4	N/A	(00000000-10353860	) (Replaced By Item #2)	4
5	1034731	(00000000-	) Screw, Hex, M6 X 1.00 X 16, Sems, Ss	8
6	01684	(00000000-	) Washer, Flat, 0.25 Ss	4
7	1022807	(00000000-	) Cover, Belt	2
8	1035888	(10338658-	)● Belt, Drive, 6Grv, 508l X 14w, [6Pj]	2
9	1020341	(00000000-	) Screw, Hex, M8 X 1.25 X 20, Sems, Ss	16
10	01685	(00000000-	) Washer, Flat, 0.31 Ss	4
11	1035173	(10338658-	)● Sheave, 06Grv, 2.96pd, 0.59b, Alm [Pj]	2
12	00961	(00000000-	)● Key, Sq, 0.19 X 0.19, 0.50l	2
13	1033528	(10338658-	)● Sheave, 06Grv, 1.33pd, 0.50b, Alm [Pj]	2
14	222818	(00000000-	) Screw, Set, #08-32 X 0.25, NI	4
15	1022401	(00000000-	)● Gasket, Cover, Belt	2
16	41360	(00000000-	) Bearing, Ball, 0.59b 1.26d 0.35w [2seal]	4
17	1002077	(00000000-	) Spacer, 0.59b 0.81d 0.50l	2
18	1021036	(00000000-	) Bracket, Motor, Machined	2
19	00911	(00000000-	)● Key, Sq, 0.19 X 0.19, 0.75l	2
20	1021050	(00000000-	) Shaft, Drive	2
21	378805	(00000000-	)● Plug, Drive, Brush, Mach	2
22	1029358	(00000000-	) Deflector, Water, Cyl Head	1
▽	23	604980	(00000000-)● Motor, Ele, 24vdc 0.75hp 1500rpm 23a	2
▲		190152	(00000000-)● Brush, Carbon [Pk=4]	2
▲		605305	(00000000-)● Spring, Motor, F/ Carbon Brush	8
24	606795	(00000000-)● Harness Motor Cyl-Brush	2	
25	140027	(00000000-) Washer, Flat, 0.35b 0.75d .04, Ss	4	
26	43952	(00000000-) Washer, Lock, Int, 0.31 Ss	4	
27	608964	(00000000-)● Boot, 90deg .27id 0.64id 1.79l, Blk	4	
28	08713	(00000000-) Nut, Hex, Lock, M8 X 1.25, NI, Ss	2	
29	1025026	(00000000-) Screw, Hex, M8 X 1.25 X 180, Ss	2	
30	1021172	(00000000-) Bracket, Mounting, Motor	2	
31	1022424	(00000000-) Stud, Adj, M16, Scrub Head	1	
32	763066	(00000000-) Nut, Hex, Jam, M16 X 2.0	1	
33	578717	(00000000-) Screw, Hex, M8 X 1.25 X 50, Ss	2	
34	07786	(00000000-) Nut, Hex, Std, M8 X 1.25, Ss	2	
35	1025039	(00000000-) Housing, Head, 80cm Cyl, Mach	1	
36	1024636	(00000000-10338657)● Sprocket, 48t, 5p V2	2	
37	375195	(00000000-10338657)● Sprocket, Timing, 22tooth, 0.50b, [Gt/2]	2	
38	377500	(00000000-10338657)● Belt,Synchronous, 500l,15mm [05p,Plychn]	2	

▽ ASSEMBLY

▲ INCLUDED IN ASSEMBLY

● RECOMMENDED STOCK ITEMS





SCRUB HEAD GROUP, CYLINDRICAL 32 in / 800 mm - CONT'D

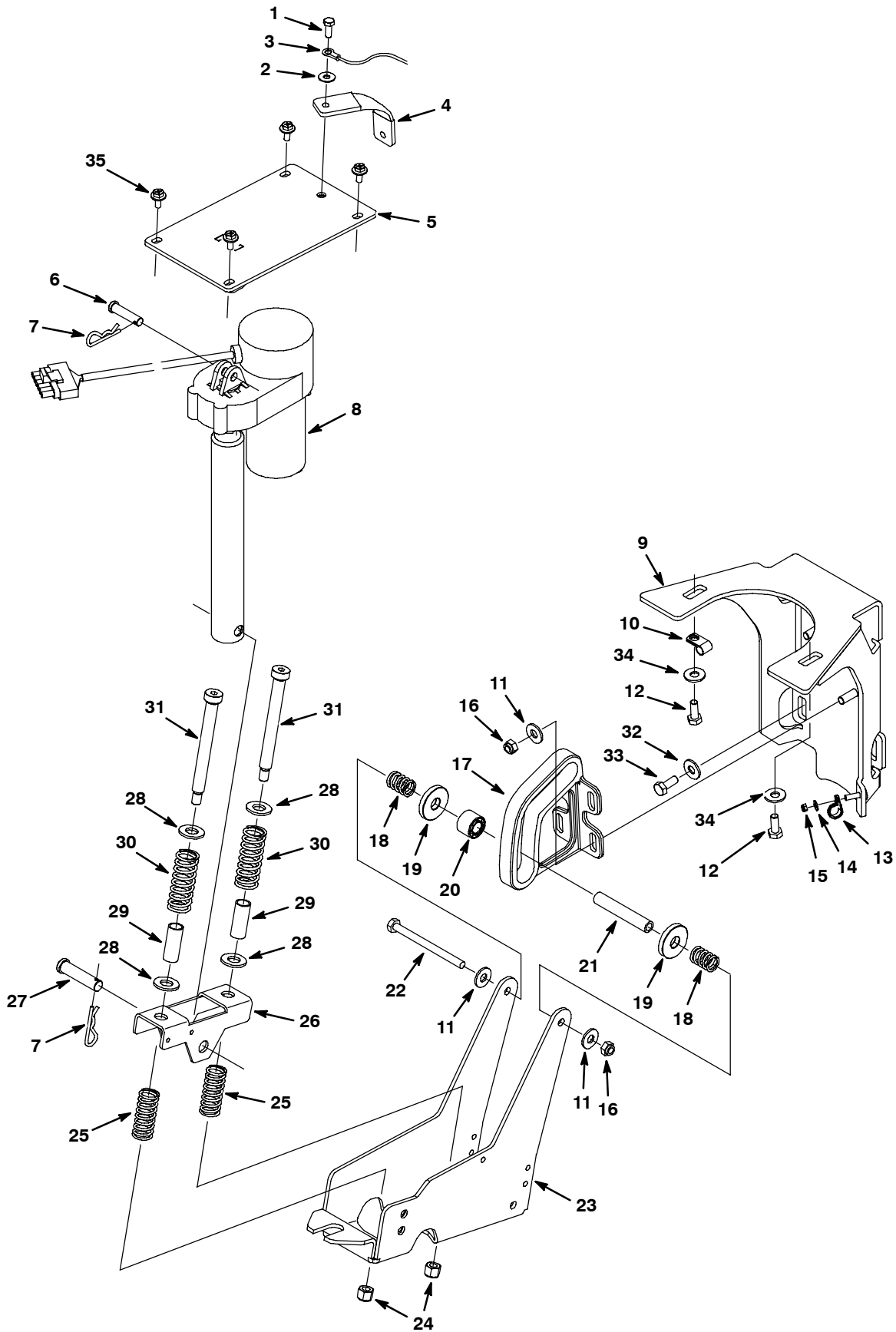
Ref.	Part No.	Serial Number	Description	Qty.
▽	1	9002677	(00000000- ) Kit, Cover, Cyl-Head	1
▲	2	1024940	(00000000- )● Insulation, Sound, Front, Cyl Head	1
	3	1034731	(00000000- ) Screw, Hex, M6 X 1.00 X 16, Sems, Ss	7
	4	N/A	(00000000-10353860 ) (Replaced By Item #32)	4
	5	608322	(00000000- ) Screw, Trs, M6 X 1.0 X 16, Phl, Ss	2
	6	364441	(00000000- ) Screw, Hex, M8 X 1.25 X 110, Ss	1
	7	43952	(00000000- ) Washer, Lock, Int, 0.31 Ss	1
	8	01685	(00000000- ) Washer, Flat, 0.31 Ss	1
	9	140314	(00000000- ) Clamp, Cable, Stl, 0.75d X 0.75w, 1h,Yl	1
	10	12273	(00000000- ) Screw, Hex, M8 X 1.25 X 20, Ss, NI	1
	11	1036032	(10330480- ) Bracket, Lift, Head, Rh	1
	12	1036025	(10330480- ) Bracket, Lift, Head, Lh	1
	13	01685	(10330480- ) Washer, Flat, 0.38b 0.88d .08, Ss	1
	14	08713	(10330480- ) Nut, Hex, Lock, M8 X 1.25, NI, Ss	1
	15	N/A	(00000000-10330479 ) (Replaced By Items #11, 12, 13, & 14)	1
	16	1025127	(00000000- ) Hopper, 80cm [Rm]	1
	17	02942	(00000000- ) Pin, Hair Cotter, 0.62 D .120 Wir	2
	18	222210	(00000000- ) Pin, Clevis, 0.62 D X 2.12l	2
	19	1025039	(00000000- ) Housing, Head, 80cm Cyl, Mach	1
	20	1025580	(00000000- )● Cap, Plstc, Pf12	2
	21	33584	(00000000- ) Clamp, Cable, Stl, 0.63d X 0.50w, 1h	2
	22	1034731	(00000000- ) Screw, Hex, M6 X 1.00 X 16, Sems, Ss	2
	23	1020341	(00000000- ) Screw, Hex, M8 X 1.25 X 20, Sems, Ss	3
	24	1025276	(00000000- )● Tube Assy, Bar, Spray [85cm]	1
	25	64743	(00000000- ) Fitting, Plstc, Str, Bm08/Pm06	1
	26	222692	(00000000- ) Screw, Flt, M8 X1.25 X 25, Ss, 18-8, NI	4
	27	1036245	(10353861- ) Retainer, Blade, Sqge, Side, Blk, Nyl	2
	28	1026292	(00000000- ) Skirt, Side, Scb, Cyl	2
	29	N/A	(00000000-10353860 ) (Replaced By Item #27)	4
	30	390996	(00000000- ) Screw, Flt, M10 X 1.5 X 20, 10.9, NI	2
	31	1044145	(00000000- ) Door, Brush	2
	32	08713	(10353861- ) Nut, Hex, Lock, M8 X 1.25, NI, Ss	4
	33	222184	(00000000- ) Pin, Roll, .094 D X 0.25l, .094/.097	2
	34	222177	(00000000- ) Shaft, Idler Plug	2
	35	379202	(00000000- ) Plug, Idler, Brush, [Sgl Brg]	2
	36	01516	(00000000- ) Ring, Retaining, Ext, 0.59d, Basic	2
	37	578769	(00000000- ) Label, Moving Parts	2
	38	222178	(00000000- )● Roller, Pyu, 1.88d 0.53b 3.05l	2
	39	578421	(00000000- ) Pin, Cotter, .125d X 1.00l	2
	40	222196	(00000000- ) Pin, Clevis, 0.50 D X 4.25l	2
	41	1031370	(00000000- ) Wire, 12 Awg X 250mm	1
	42	07785	(00000000- ) Nut, Hex, Std, M6 X 1.0, A2, Ss	5
	43	1025150	(00000000- ) Lip,Tray, Debris, Scrubhead, 80cm	1
	44	1025273	(00000000- )● Skirt, Tray, Debris, 80cm	1
	45	01684	(00000000- ) Washer, Flat, 0.25 Ss	4

▽ ASSEMBLY

▲ INCLUDED IN ASSEMBLY

● RECOMMENDED STOCK ITEMS

SCRUBHEAD LIFT GROUP

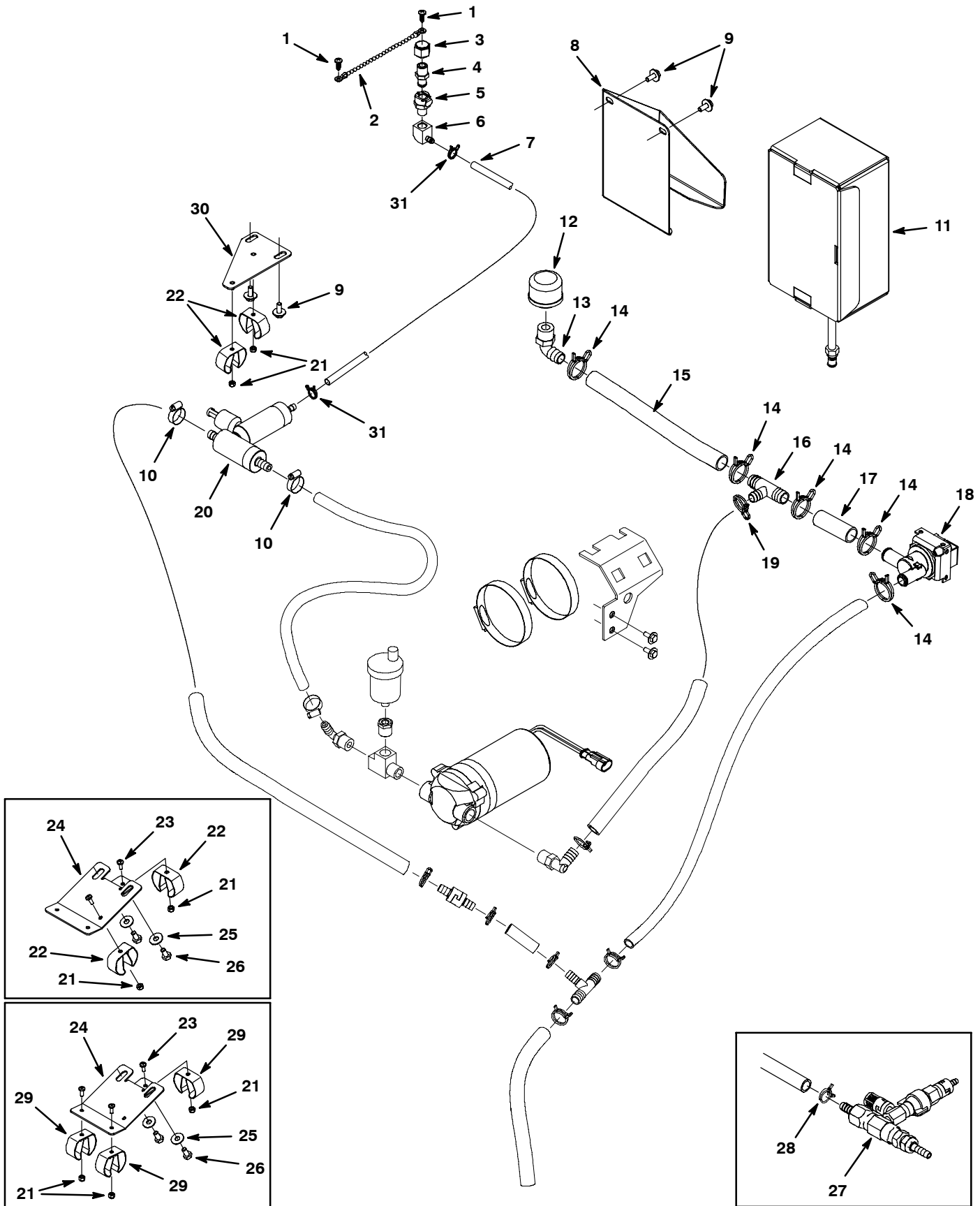


## SCRUBHEAD LIFT GROUP

Ref.	Part No.	Serial Number	Description	Qty.
1	11329	(00000000-	) Screw, Hex, M6 X 1.0 X 16, Ss, NI	1
2	01684	(00000000-	) Washer, Flat, 0.25 Ss	1
3	1029310	(00000000-	) Harness, Ground, 12 Awg	1
4	1029051	(00000000-	)● Strap, Static, Controller	1
5	1022913	(00000000-	) Bracket Wldt, Actuator, Upper	1
6	29558	(00000000-	)● Pin, Clevis, 0.37 D X 1.50l	1
7	140626	(00000000-	)● Pin, Hair Cotter, 0.25 D .125 Wir	2
8	1023035	(00000000-	)● Actuator, 24vdc, 6.0 Strk, 600lb	1
9	1049367	(00000000-	) Bracket, Sppt, Guide, Rlr	1
10	40678	(00000000-	) Clamp, Cable, Stl, 0.44d X 0.62w, 1h	1
11	01685	(00000000-	) Washer, Flat, 0.31 Ss	6
12	12273	(00000000-	) Screw, Hex, M8 X 1.25 X 20, Ss, NI	2
13	33584	(00000000-	) Clamp, Cable, Stl, 0.63d X 0.50w, 1hole	1
14	01683	(00000000-	) Washer, Flat, #10 Ss	1
15	09739	(00000000-	) Nut, Hex, Lock, M5 X 0.8, NI, Ss	1
16	08713	(00000000-	) Nut, Hex, Lock, M8 X 1.25, NI, Ss	5
17	1023592	(00000000-	) Bracket, Guide, Roller	1
18	607920	(00000000-	)● Spring, Cmpr, 18.3d, 2.4w, 25.4l Mw	2
19	607568	(00000000-	) Washer, P/M, 1.500d, 0.500b 0.25l Bnz	2
20	1023658	(00000000-	)● Roller, Linkage, Head Lift	1
21	1023653	(00000000-	) Shaft, Rlr, Head-Lift	1
22	386299	(00000000-	) Screw, Hex, M8 X 1.25 X 100, Ss	1
23	1024911	(00000000-	) Bracket, Roller, Scrubhead, Sheet Metal	1
24	59156	(00000000-	) Nut, Hex, Lock, .38-16, NI, Ss	2
25	63185	(00000000-	)● Spring, Cmpr, 0.85od .09wir 2.0l	2
26	1023575	(00000000-	) Bracket, Spring, Down Press	1
27	51534	(00000000-	)● Pin, Clevis, 0.50 D X 2.00l	1
28	32486	(00000000-	) Washer, Flat, 0.50 Sae	4
29	1024969	(00000000-	) Sleeve, P/M, 0.629d 09.5	2
30	45261	(00000000-	)● Spring, Cmpr, 0.97od .11wir 2.5l	2
31	45960	(00000000-	) Bolt, Shld, .50d X 4.25, .38-16	2
32	1016331	(00000000-	) Washer, Flat, 0.34b 1.25d .11, Ss	2
33	12333	(00000000-	) Screw, Hex, M8 X 1.25 X 25, Ss, NI	2
34	69461	(00000000-	) Washer, Flat, 0.38b 0.88d .12, Stl, Pl	2
35	1034731	(00000000-	) Screw, Hex, M6 X 1.00 X 16, Sems, Ss	4

## ● RECOMMENDED STOCK ITEMS

SOLUTION GROUP, FaST MODEL

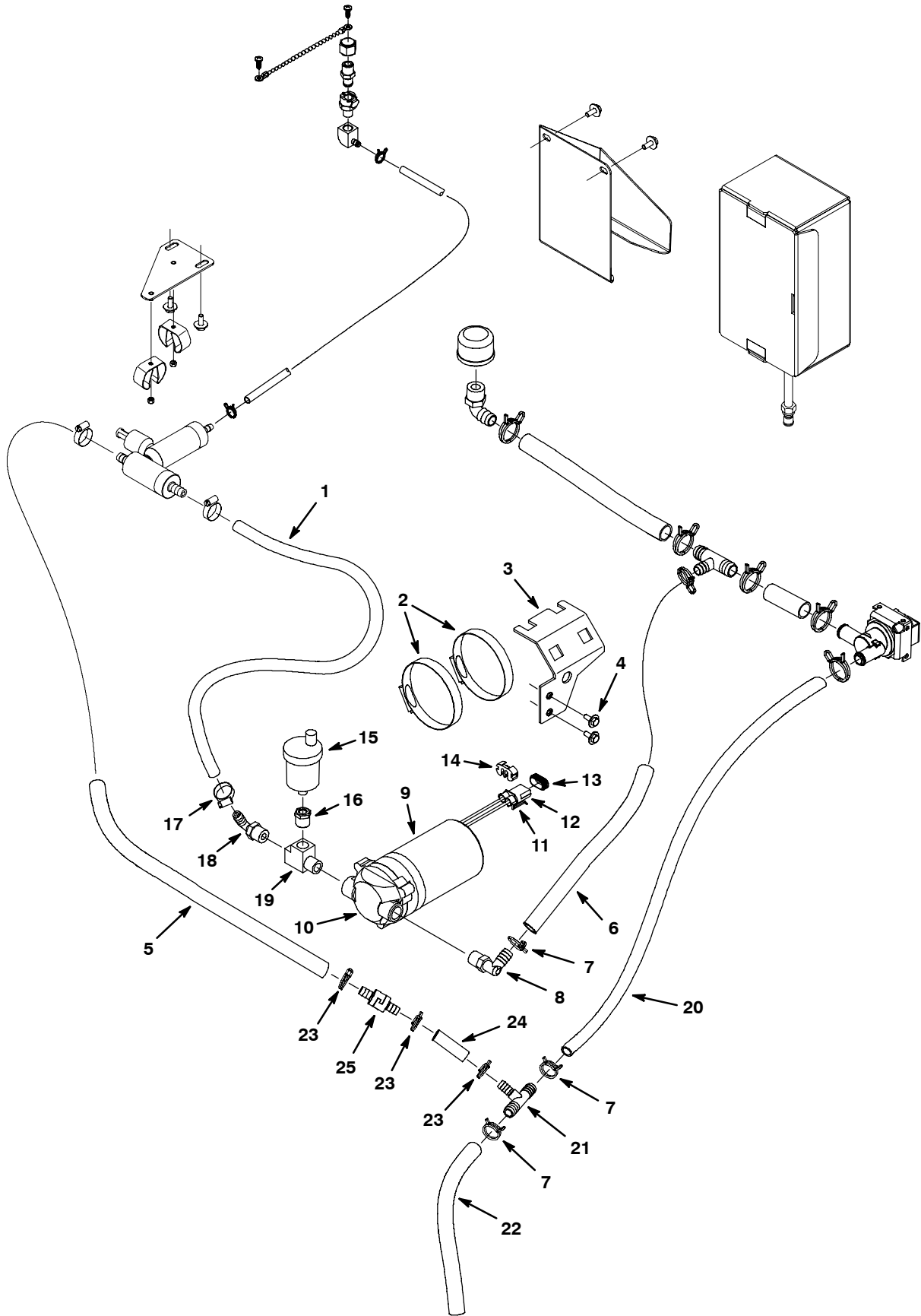


## SOLUTION GROUP, FaST MODEL

Ref.	Part No.	Serial Number	Description	Qty.
1	1018155	(00000000-	) Screw, Pan, M5 X 0.8 X16, Ss, Tcut	2
2	621443	(00000000-	) Chain, Ball, #10 X 157l, Ss	1
3	1005435	(00000000-	) Fitting, Plstc, Cap, Pf04, Pipe	1
4	1002899	(00000000-	) Fitting, Plstc, Str, Pm04, Cplg, Mal	1
5	1029262	(00000000-	)● Fitting, Plstc, Str, Pf04, Cplg, Fem	1
6	1028773	(00000000-	) Fitting, Brs, E90, Pf04/Bm04	1
7	1006415	(00000000-	) Hose, Afmkt, Pvc, Clr 0.25id 3ft	1
8	1036339	(00000000-	) Bracket, Mtg, Detgt [T5]	1
9	1034731	(10369603-	) Screw, Hex, M6 X 1.00 X 16, Sems, Ss	4
10	54333	(00000000-	) Clamp, Hose, Wormdrive, 0.31-0.88d, .31w	3
11	1017015	(00000000-	)● Detergent Pkg, 2 Liter, Sgl [365] (Standard)	1
11	1017022	(00000000-	)● Detergent Pkg, 2 Liter, Sgl [665] (Optional)	1
11	9002021	(00000000-	)● Fast 965 2 Ltr, Detergent (Optional)	1
12	1015522	(00000000-	)● Filter, Screen, 080 Mesh, Pf08, Ss	1
13	630371	(00000000-	) Fitting, Plstc, E90, Bm10/Pm08	1
14	1041978	(00000000-	) Clamp, Hose, Wir, .85 - .90, Silver	5
15	1035355	(00000000-	) Hose, Afmkt, Pvc, Clr, 0.62id, 02ft	1
16	1015486	(00000000-	) Fitting, Plstc, Tee, Bm10/Bm08/Bm10	1
17	605099	(00000000-	) Hose, Pvc, Clr, 0.62id 0.88od 3.0l	1
18	1013599	(00000000-	)● Valve, Water, Solenoid, 24vdc, 10bm/10bm	1
19	607776	(00000000-	) Clamp, Hose, Wire, .73 - .77, Silver	1
20	9003908	(10347532-	)● Fast Kit, Injector[T5 70/80Cm, Fast II+] (See Breakdowns)	1
20	9003907	(10348538-	)● Fast Kit, Injector[T5 60/65Cm, Fast II+] (See Breakdowns)	1
21	33932	(10347532-	) Nut, Hex, Lock, M4 X 0.7, NI, Ss	2
21	33932	(00000000-10347531	) Nut, Hex, Lock, M4 X 0.7, NI, Ss	3
22	573073	(10347532-	) Clip, Grip, Hose, 1.00-1.38, Zn	2
23	49697	(10347532-10369602	) Screw, Pan, M4 X 0.7 X 10, Ss	2
23	49697	(00000000-10347531	) Screw, Pan, M4 X 0.7 X 10, Ss	3
24	N/A	(00000000-10369602	) (Replaced By Item #30)	1
25	01684	(00000000-10369602	) Washer, Flat, 0.25 Ss	2
26	11635	(00000000-10369602	) Screw, Hex, M6 X 1.0 X 12, Ss, NI	2
27	9003812	(00000000-10347531	) Fast Kit, Conv, Ci[T5 70/80Cm, Fast II+] (700mm/800mm Disk & 800mm Cyl Models)	1
27	9003810	(00000000-10348537	) Fast Kit, Conv, Ci[T5 60/65Cm, FaST II+] (600mm Disk & 650mm Cyl Models)	1
28	607775	(00000000-10348537	) Clamp, Hose, Wir, .63 - .66, Blk	1
29	1014295	(00000000-10347531	) Clip, Spring, Holder, Blk Vyl Coated	3
30	1040982	(10369603-	) Plate, Mtg, Injector [T5/Ss5 Fast II+]	1
31	613735	(00000000-	) Clamp, Hose, Wir, .40 - .42, Yel	2

● RECOMMENDED STOCK ITEMS

SOLUTION GROUP, FaST MODEL - CONT'D



SOLUTION GROUP, FaST MODEL - CONT'D

Ref.	Part No.	Serial Number	Description	Qty.
1	9002542	(00000000-	) Hose, .38id X 0.6od Pvc 376720 Ft 3.5	1
2	43555	(00000000-	) Clamp, Hose, Wormdrive, 2.50-3.50d, .50w	2
3	1023463	(00000000-	) Bracket, Mtg, Pump	1
4	1034731	(00000000-	) Screw, Hex, M6 X 1.00 X 16, Sems, Ss	2
5	9002511	(00000000-	) Hose, 1/2 Id X 3/4 Od Vnyl 611254 Ft 2.5	1
6	613521	(00000000-	) Tubing 1/2idx3/4od Vnyl 611259 Ft 1.000	1
7	607776	(00000000-	) Clamp, Hose, Wire, .73 - .77, Silver	3
8	1017532	(00000000-	) Fitting, Plstc, E90, Bm08/Pm06	1
▽	9	1014282	)● Pump, Soltn, Ele, 24vdc, 60psi, Packard	1
▲	10	9001240	)● Pump Kit, Head, Soltn	1
▲	11	78950	)● Connector, Fem, 02cav, Mp280 Sealed	1
▲	12	78951	)● Terminal, Fem, Mp280, Sealed, 18-16ga	1
▲	13	10917	)● Seal, Wire, 14/16ga [Wp / Mp280 Sealed]	1
▲	14	78952	)● Lock, Secondary, 2cav, Mp280 Sealed	1
	15	1017386	)● Valve, Air Vent, Float Type	1
	16	24698	) Fitting, Brs, Str, Pf02/Pm06	1
	17	54333	) Clamp, Hose, Wormdrive, 0.31-0.88d, .31w	1
	18	1005630	) Fitting, Plstc, E90, Bm06/Pm06, Nyl	1
	19	601483	) Fitting, Brs, Tee, Pm06/Pf06, Strt, T	1
	20	613531	) Tubing 1/2idx3/4od Vinyl 611259 Ft 3.750	1
	21	630372	) Fitting, Plstc, Tee, Bm08/Bm06/Bm08	1
	22	613521	) Tubing 1/2idx3/4od Vnyl 611259 Ft 1.000	1
	23	607775	) Clamp, Hose, Wir, .63 - .66, Blk	3
	24	606362	) Hose 3/8idx5/8odx6.5 (611254)	1
	25	1040501	)● Valve, Check, 0015 Psi, Bm06/Bm06 (700mm/800mm Disk & 800mm Cyl Models)	1
	25	1015455	)● Valve, Check, 0005 Psi, Bm06/Bm06 (600mm Disk & 650mm Cyl Models)	1
	25	1015455	)● Valve, Check, 0005 Psi, Bm06/Bm06 (700mm/800mm Disk & 800mm Cyl Models)	1
	25	1015455	)● Valve, Check, 0005 Psi, Bm06/Bm06 (600mm Disk & 650mm Cyl Models)	1
	N/S	1023757	)● Harness [Fast, Option]	1

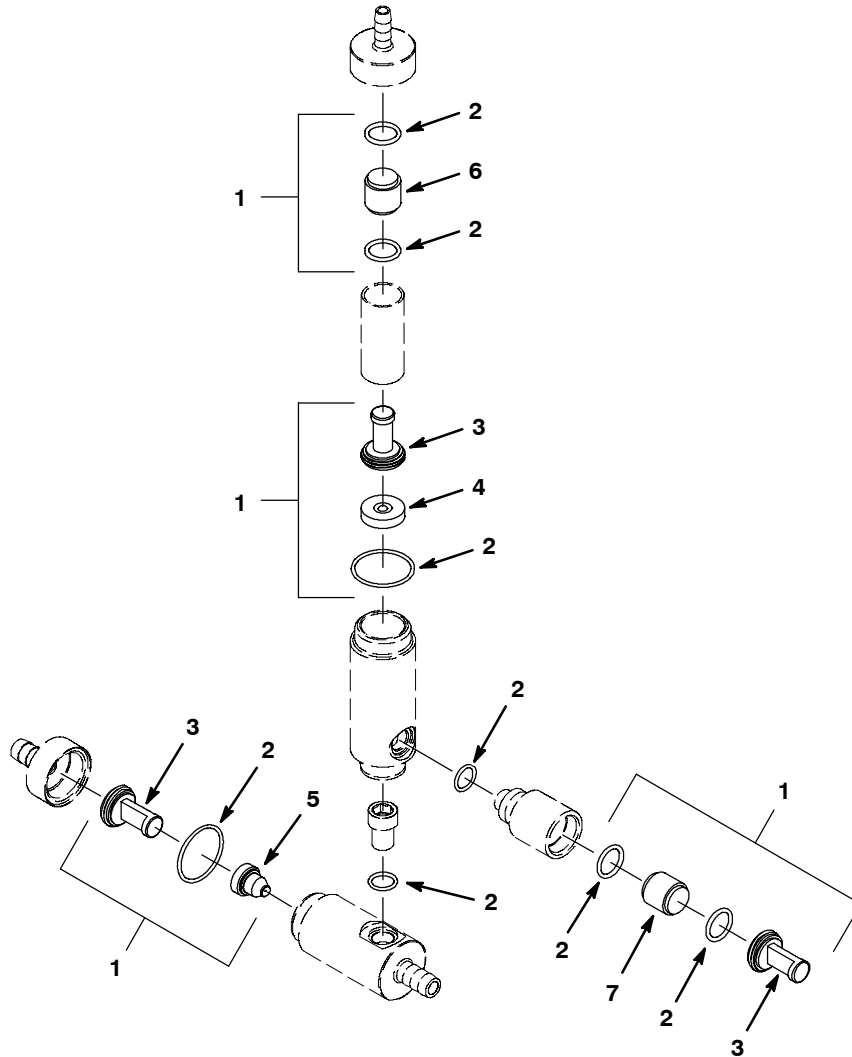
▽ ASSEMBLY

▲ INCLUDED IN ASSEMBLY

● RECOMMENDED STOCK ITEMS

# STANDARD PARTS

## 9003908 FAST INJECTOR ASSEMBLY BREAKDOWN (S/N 10347532-700 mm / 800 mm DISK & 800 mm CYLINDRICAL MODELS)



Ref.	Part No.	Serial Number	Description	Qty.	
▽	9003908	(10347532-	) ● Fast Kit, Injector[T5 70/80cm, Fast li+]	1	
▲	1	9003813	(10347532-	) ● Fast Kit, Ci[Inj Reblid, T5 70/80cm, li+]	1
▲	2	9003008	(10347532-	) ● Fast Kit, Ci, Injector Seals [Fast li+]	1
▲	3	9003009	(10347532-	) ● 3ast Kit, Ci, Injector Filters[Fast li+]	1
▲	4	1039978	(10347532-	) Plate Assy, Orifice, 0.0075id, Blu	1
▲	5	1039579	(10347532-	) Plug, Orifice, 0.033, Ss [Fast li+]	1
▲	6	1030444	(10347532-	) Valve, Check, 0002psi [Fast li+]	1
▲	7	1030441	(10347532-	) Valve, Check, 0005psi [Fast li+]	1

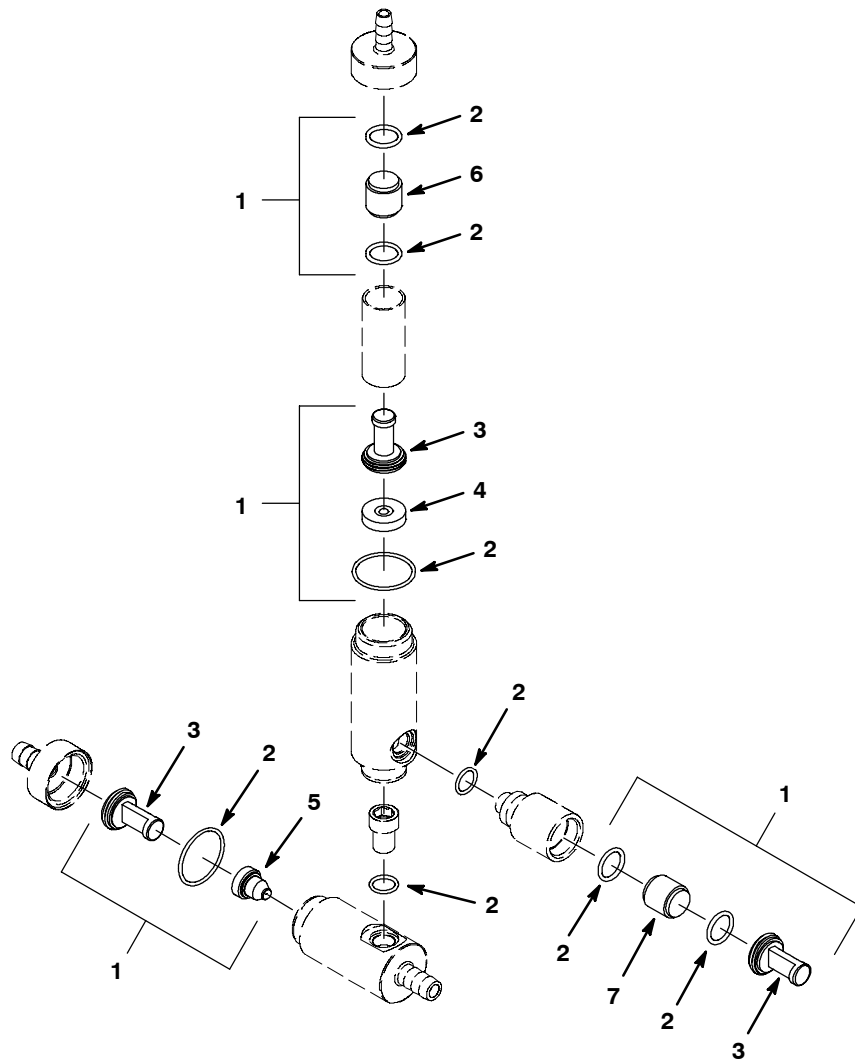
▽ ASSEMBLY

▲ INCLUDED IN ASSEMBLY

● RECOMMENDED STOCK ITEMS



9003907 FAST INJECTOR ASSEMBLY BREAKDOWN (S/N 10348538- )  
 600 mm DISK & 650 mm CYLINDRICAL MODELS



Ref.	Part No.	Serial Number	Description	Qty.	
▽	9003907	(10348538-	)● Fast Kit, Injector[T5 60/65cm, Fast li+]	1	
▲	1	9003811	(10348538-	)● Fast Kit, Ci[Inj Reblid, T5 60/65cm, li+]	1
▲	2	9003008	(10348538-	)● Fast Kit, Ci, Injector Seals [Fast li+]	1
▲	3	9003009	(10348538-	)● 3ast Kit, Ci, Injector Filters[Fast li+]	1
▲	4	1032284	(10348538-	) Plate Assy, Orifice, 0.007id, Red	1
▲	5	1039989	(10348538-	) Plug, Orifice, 0.030, Ss [Fast li+]	1
▲	6	1030444	(10348538-	) Valve, Check, 0002psi [Fast li+]	1
▲	7	1030441	(10348538-	) Valve, Check, 0005psi [Fast li+]	1

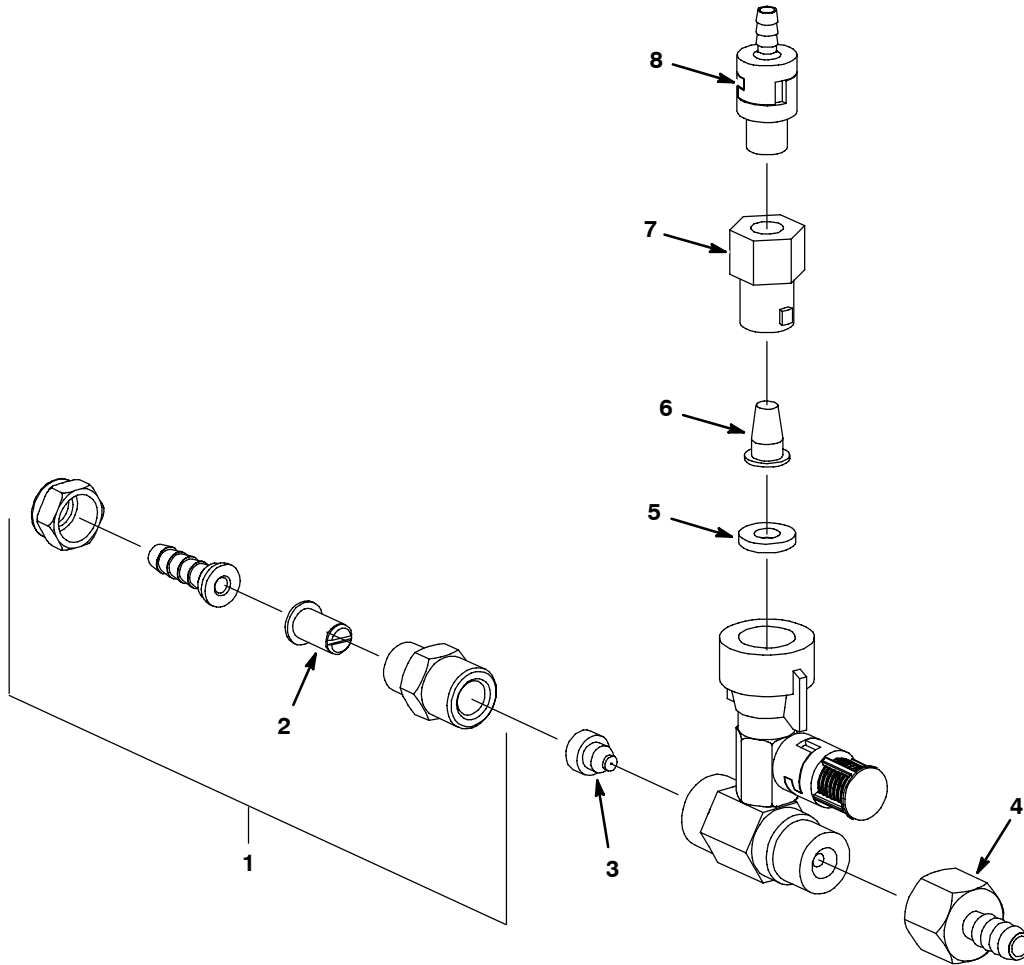
▽ ASSEMBLY

▲ INCLUDED IN ASSEMBLY

● RECOMMENDED STOCK ITEMS

# STANDARD PARTS

## 9003812 FAST INJECTOR ASSEMBLY BREAKDOWN (S/N 00000000-10347531) 700 mm / 800 mm DISK & 800 mm CYLINDRICAL MODELS



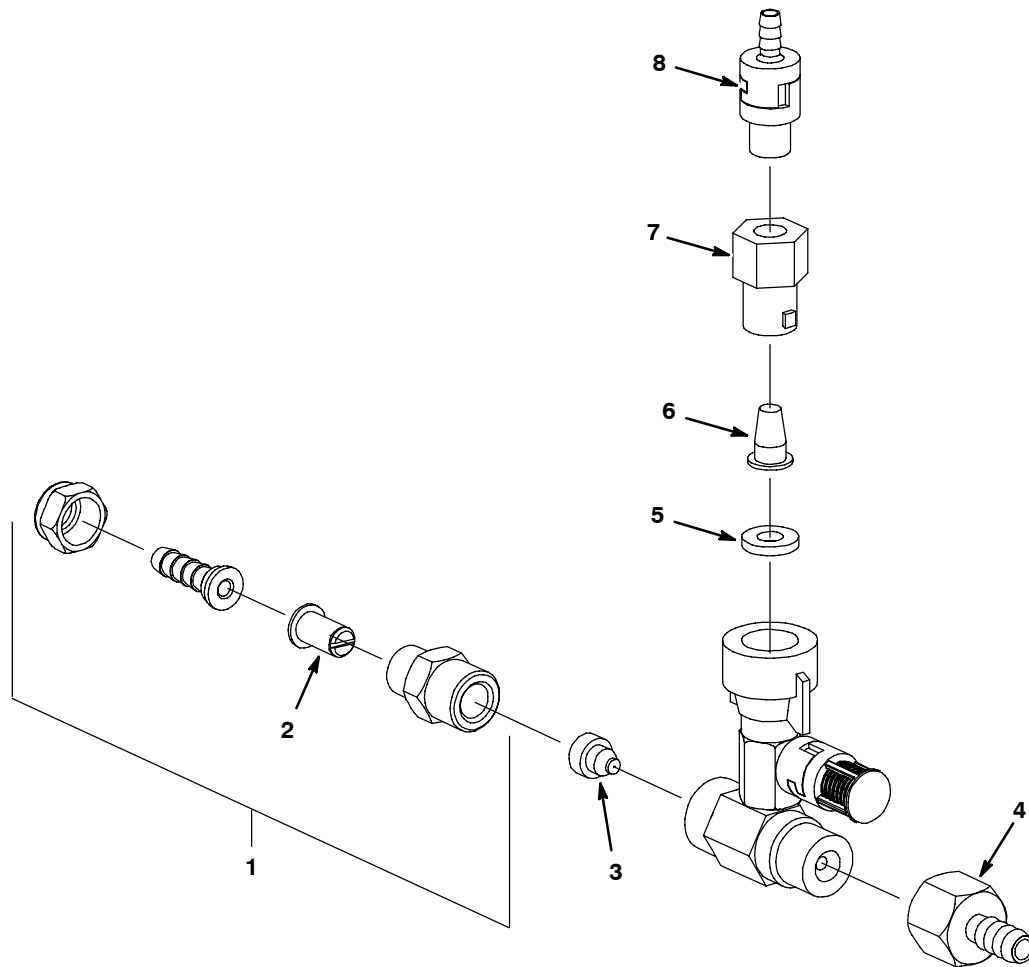
Ref.	Part No.	Serial Number	Description	Qty.
▽	9003812	(00000000-10347531)	● Fast Kit, Conv, Ci[T5 70/80cm, Fast li+]	1
▲	1	1013411	(00000000-10347531) ● Filter Assy, 050mesh	1
▲	2	1006447	(00000000-10347531) ● Vr, Filter, Screen, 050 Mesh .59d .8l Ss	1
	3	1039579	(00000000-10347531) ● Plug, Orifice, 0.033, Ss [Fast li+]	1
	4	1014276	(00000000-10347531) ) Fitting, Brs, Str, Bm06/Pf08	1
	5	1039978	(00000000-10347531) ) Plate Assy, Orifice, 0.0075id, Blu	1
	6	1029355	(00000000-10347531) ● Vr, Filter, Screen, 200 Mesh .59d .8l Ss	1
	7	1005507	(00000000-10347531) ) Fitting, Plstc, Body, Spray, Pf04	1
	8	1014254	(00000000-10347531) ● Valve, Check, 0002psi Bm04/Pm04	1

▽ ASSEMBLY

▲ INCLUDED IN ASSEMBLY

● RECOMMENDED STOCK ITEMS

**9003810 FAST INJECTOR ASSEMBLY BREAKDOWN (S/N 00000000-10348537)  
600 mm DISK & 650 mm CYLINDRICAL MODELS**



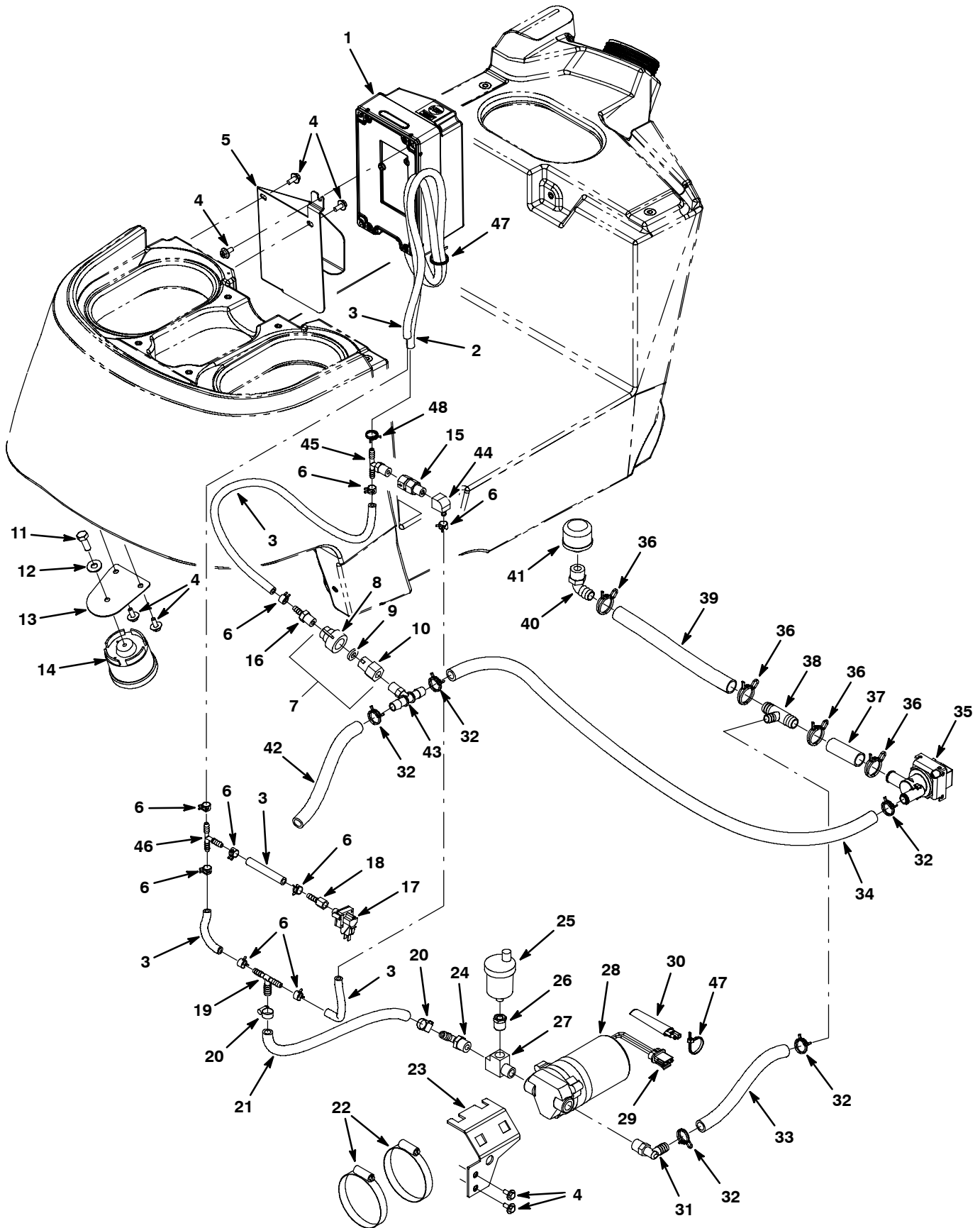
Ref.	Part No.	Serial Number	Description	Qty.
▽	9003810	(00000000-10348537	)● Fast Kit, Conv, Ci[T5 60/65cm, Fast li+]	1
▲	1	1013411	(00000000-10348537 )● Filter Assy, 050mesh	1
▲	2	1006447	(00000000-10348537 )● Vr, Filter, Screen, 050 Mesh .59d .8l Ss	1
	3	1039988	(00000000-10348537 )● Plug, Orifice, 0.027, Ss [Fast li+]	1
	4	1014276	(00000000-10348537 ) Fitting, Brs, Str, Bm06/Pf08	1
	5	1032284	(00000000-10348537 ) Plate Assy, Orifice, 0.007id, Red	1
	6	1029355	(00000000-10348537 )● Vr, Filter, Screen, 200 Mesh .59d .8l Ss	1
	7	1005507	(00000000-10348537 ) Fitting, Plstc, Body, Spray, Pf04	1
	8	1014254	(00000000-10348537 )● Valve, Check, 0002psi Bm04/Pm04	1

▽ ASSEMBLY

▲ INCLUDED IN ASSEMBLY

● RECOMMENDED STOCK ITEMS

SOLUTION GROUP, *ec-H2O* MODEL



SOLUTION GROUP, *ec-H2O* MODEL

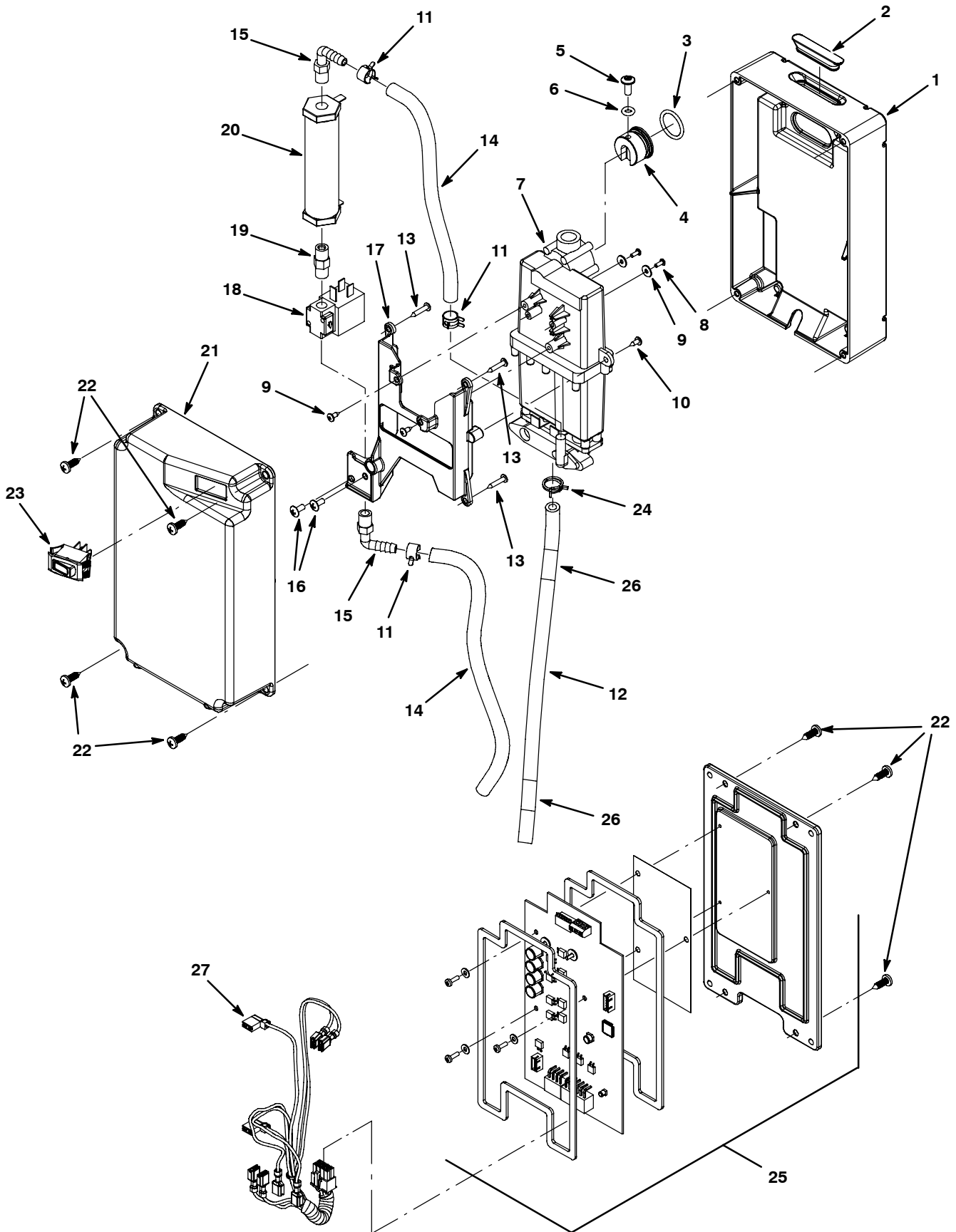
Ref.	Part No.	Serial Number	Description	Qty.
1	9004561	(10378380-	)● Module Kit, Replmt [Ec-H2o] (See Breakdown)	1
2	9004606	(10378380-	) Hose, Pvc, Brd, .25id .45od 46l, Clr	1
3	578820000	(10378380-	) Hose, Pvc, Brd, 0.25id 0.44od 157.2l,Clr	1
4	1034731	(00000000-	) Screw, Hex, M6 X 1.00 X 16, Sems, Ss	7
5	1040881	(10378380-	) Bracket, Mtg, Martini [T5]	1
6	603654	(10378380-	) Clamp, Hose, Ear, .44d [Ctb]	9
▽	7	1043866	(10378380-)● Fitting Assy, Qd, Pf04	1
▲	8	1005506	(10378380-)● Fitting, Plstc, Cap, Spray, Pf04	1
▲	9	1047655	(10378380-)● Washer, Flat, 0.40b 0.75d .12 [Viton]	1
▲	10	1005507	(10378380-)● Fitting, Plstc, Body, Spray, Pf04	1
11	01697	(10378380-	) Screw, Hex, .25-20 X 0.62, Ss	1
12	01685	(10378380-	) Washer, Flat, 0.38b 0.88d .08, Ss	1
13	1044192	(10378380-	) Bracket, Mtg, Horn [Ec-H2o]	1
14	392937	(10378380-	)● Horn, 12-48vdc [94 Decibels]	1
15	1044790	(10378380-	)● Valve, Check, 0025psi Pm04/Pf04	1
16	50901	(10378380-	) Fitting, Plstc, Str, Bm04/Pm04	1
17	1044414	(10378380-	)● Switch, Press, 12psi, Pm02	1
18	150520	(10378380-	) Fitting, Brs, Str, Bm04/Pf02	1
19	1014441	(10378380-	) Fitting, Plstc, Tee, Bm04/Bm04/Bm06, Br	1
20	54333	(10378380-	) Clamp, Hose, Wormdrive, 0.31-0.88d, .31w	2
21	1006400	(10378380-	) Hose, Afmkt, Pvc, Brd, 0.38id, 03ft, Clr	1
22	43555	(00000000-	) Clamp, Hose, Wormdrive, 2.50-3.50d, .50w	2
23	1023463	(00000000-	) Bracket, Mtg, Pump [T5]	1
24	1005630	(00000000-	) Fitting, Plstc, E90, Bm06/Pm06, Nyl	1
25	1017386	(00000000-	)● Valve, Vent, Air, Float Type	1
26	24698	(00000000-	) Fitting, Brs, Str, Pf02/Pm06	1
27	601483	(00000000-	) Fitting, Brs, Tee, Pf06/Pf06/Pm06, Run	1
28	1042495	(10378380-	)● Pump, Soltn, Ele, 24vdc, 35psi (See Breakdown)	1
30	1040868	(10378380-	)● Capacitor, Plug [.01 Uf, 200v]	1
31	1017532	(00000000-	) Fitting, Plstc, E90, Bm08/Pm06	1
32	607776	(00000000-	) Clamp, Hose, Wir, .73 - .77, Silver	5
33	613521	(00000000-	) Hose, Pvc, Clr, 0.50id 0.75od 012.0l (611259)	1
34	613531	(00000000-	) Hose, Pvc, Clr, 0.50id 0.75od 045.0l (611259)	1
35	1013599	(00000000-	)● Valve, Water, Solenoid, 24vdc Bm10/Bm10	1
36	1041978	(00000000-	) Clamp, Hose, Wir, .85 - .90, Silver	4
37	605099	(00000000-	) Hose, Pvc, Clr, 0.62id 0.88od 003.0l (611259)	1
38	1015486	(00000000-	) Fitting, Plstc, Tee, Bm08/Bm10/Bm10, Br	1
39	1035355	(00000000-	) Hose, Afmkt, Pvc, Clr, 0.62id, 02ft (611259)	1
40	630371	(00000000-	) Fitting, Plstc, E90, Bm10/Pm08	1
41	1015522	(00000000-	)● Filter, Screen, 080mesh, Ss, Pf08	1
42	613521	(00000000-	) Hose, Pvc, Clr, 0.50id 0.75od 012.0l (611259)	1
43	1010791	(10378380-	) Fitting, Plstc, Tee, Bm08/Bm08/Pm04, Br	1
44	1028773	(10378380-	) Fitting, Brs, E90, Bm04/Pf04	1
45	607306	(10378380-	) Fitting, Plstc, Tee, Bm04/Bm04/Pm04, Br	1
46	150713	(10378380-	) Fitting, Plstc, Tee, Bm04/Bm04/Bm04	1
47	130773	(10378380-	) Tie, Cable, Nyl, 11.0l, .14w, 3.0 Max. D	3
48	613735	(10378380-	) Clamp, Hose, Wir, .40 - .42, Yel	1

▽ ASSEMBLY

▲ INCLUDED IN ASSEMBLY

● RECOMMENDED STOCK ITEMS

9004561 *ec-H2O* MODULE ASSEMBLY BREAKDOWN



9004561 *ec-H2O* MODULE ASSEMBLY BREAKDOWN

Ref.	Part No.	Serial Number	Description	Qty.
▽	9004561	(10378380-	)● Module Kit, Replmt [Ec-H2o]	1
▲	1 1037032	(10378380-	) Housing, Bottom	1
▲	2 1050431	(10378380-	)● Grommet, Blind	1
▲	3 1038220	(10378380-	)● Seal, Org, .799 X .103, Viton	1
▲	4 1038276	(10378380-	) Plug, Cell	1
▲	5 609062	(10378380-	) Screw, Trs, Phl, 08-32 X 0.38, Ss	1
▲	6 1038277	(10378380-	)● Seal, Org, .206 X .103, Viton	1
▲	7 1033963	(10378380-	)● Electrode, 5 Plate	1
▲	8 578860	(10378380-	) Screw, Pan, Phl, 04-40 X 0.31, PI	2
▲	9 02892	(10378380-	) Washer, Flat, 0.12b 0.38d .03, Stl, PI	2
▲	10 3701.6	(10378380-	) Screw, Pan, Phl, 06-32 X 0.38, Shtmtl,Ss	4
▲	11 603654	(10378380-	) Clamp, Hose, Ear, .44d [Ctb]	3
▲	12 9004606	(10378380-	) Hose, Pvc, Clr, 0.25id 0.38od 064.0l	1
▲	13 140826	(10378380-	) Screw, Pan, 06-32 X 0.75, Fmg/Ab, Ss	4
▲	14 578820000	(10378380-	) Hose, Pvc, Brd, 0.25id 0.44od 157.2l,Clr	1
▲	15 1037595	(10378380-	) Fitting, Plstc, E90, Bm04/Pm02, Nyl	2
▲	16 140801	(10378380-	) Screw, Trs, Phl, 08-32 X 0.38, Ss	2
▲	17 1038618	(10378380-	) Adapter, Cell	1
▲	18 1013236	(10378380-	)● Valve, Shutoff, Ele, 24vdc	1
▲	19 1045030	(10378380-	) Fitting, Brs, Str, Pm02/Pm02	1
▲	20 1038159	(10378380-	)● Electrode, Cylindrical	1
▲	21 1037034	(10378380-	) Housing, Upper	1
▲	22 1018155	(10378380-	) Screw, Pan, Phl, M5 X 0.80 X 16, Tcut,Ss	8
▲	23 1044393	(10378380-	)● Switch, Rocker, Spst, Mom,	1
▲	24 613735	(10378380-	) Clamp, Hose, Wir, .40 - .42, Yel	1
▲	25 9004220	(10378380-	)● Controller Kit, Replmt [Ec-H2o]	1
▲	26 1049637	(10378380-	)● Label, Direction [Ec-H2o]	2
	27 1044399	(10378380-	)● Harness, Main, Controller [Ec-H2o, P3]	1

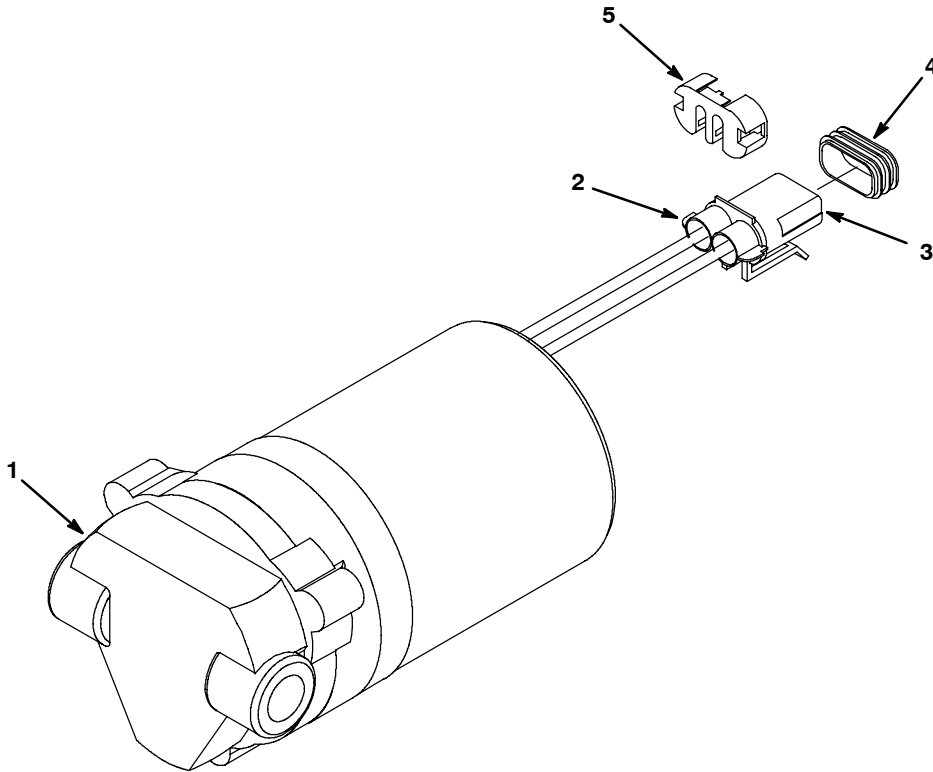
▽ ASSEMBLY

▲ INCLUDED IN ASSEMBLY

● RECOMMENDED STOCK ITEMS

# STANDARD PARTS

## 1042495 *ec-H2O* SOLUTION PUMP BREAKDOWN



Ref.	Part No.	Serial Number	Description	Qty.
▽	1042495	(10378380-	● Pump, Soltn, Ele, 24vdc, 35psi	1
▲	1	9004759	(10378380-) ● Pump Kit, Head, Soltn [Echo]	1
▲	2	78950	(10378380-) ● Connector, Fem, 02cav, Mp280 Sealed	1
▲	3	78951	(10378380-) ● Terminal, Fem, Mp280, Sealed, 18-16ga	1
▲	4	10917	(10378380-) ● Seal, Wire, 14/16ga [Wp / Mp280 Sealed]	1
▲	5	78952	(10378380-) ● Lock, Secondary, 2cav, Mp280 Sealed	1

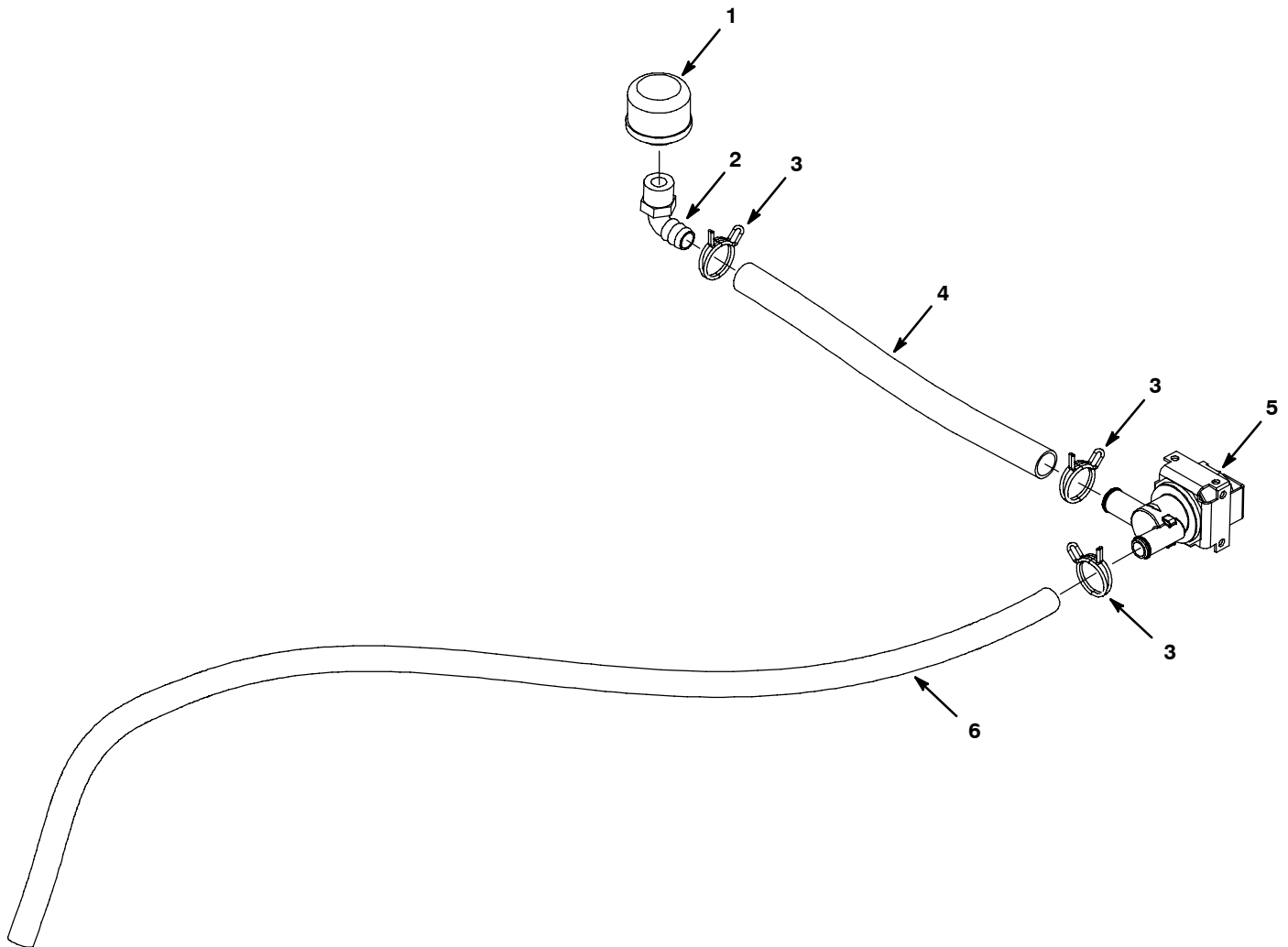
▽ ASSEMBLY

▲ INCLUDED IN ASSEMBLY

● RECOMMENDED STOCK ITEMS



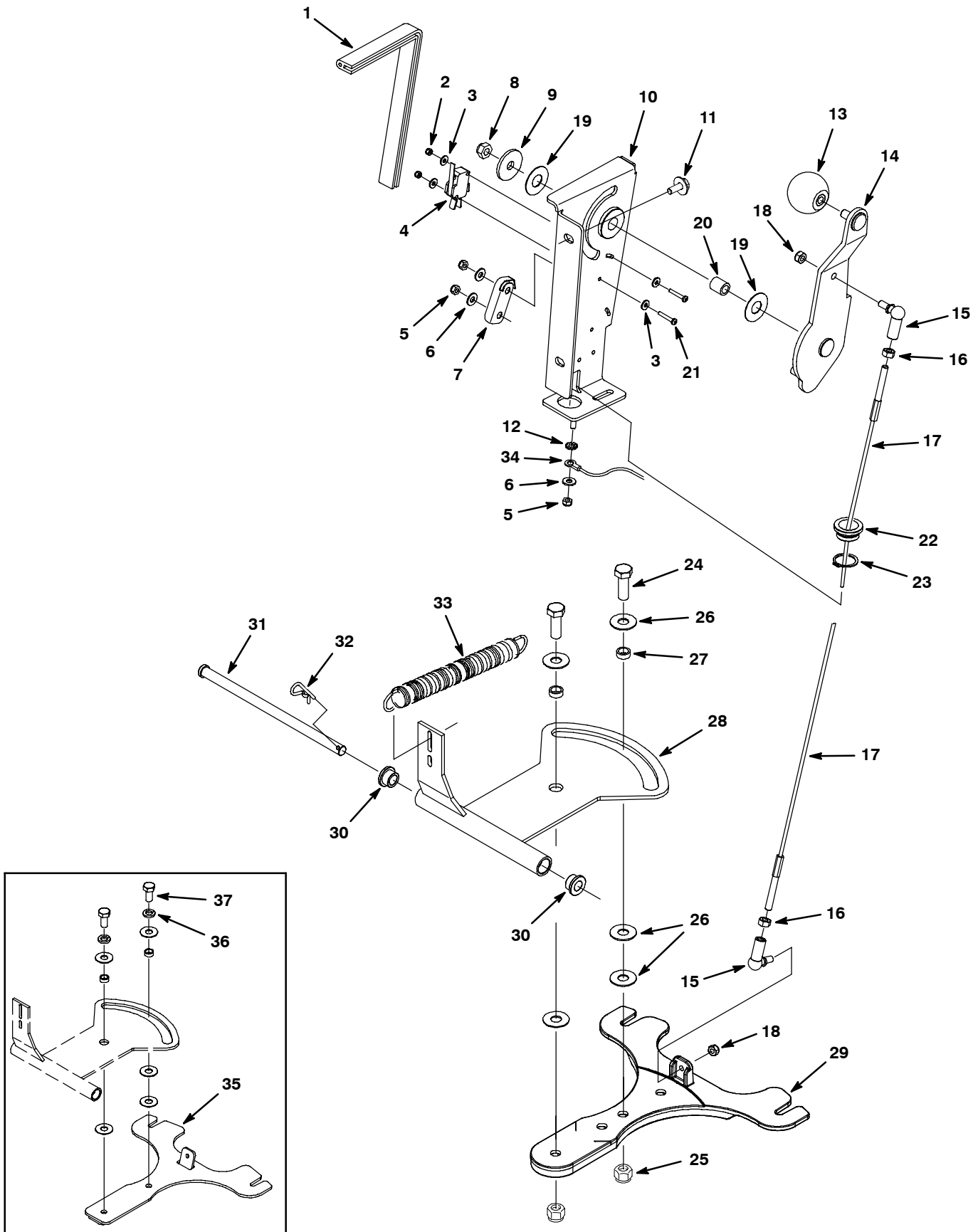
SOLUTION GROUP, STANDARD MODEL



Ref.	Part No.	Serial Number	Description	Qty.
1	1015522	(00000000-	)● Filter, Screen, 080 Mesh, Pf08, Ss	1
2	630371	(00000000-	) Fitting, Plstc, E90, Bm10/Pm08	1
3	1041978	(00000000-	) Clamp, Hose, Wir, .85 - .90, Silver	3
4	1035355	(00000000-	) Hose, Afrmkt, Pvc, Clr, 0.62id, 02ft	1
5	1013599	(00000000-	)● Valve, Water, Solenoid, 24vdc, 10bm/10bm	1
6	613531	(00000000-	) Tubing 1/2idx3/4od Vinyl 611259 Ft 3.750	1

● RECOMMENDED STOCK ITEMS

SQUEEGEE LIFT GROUP

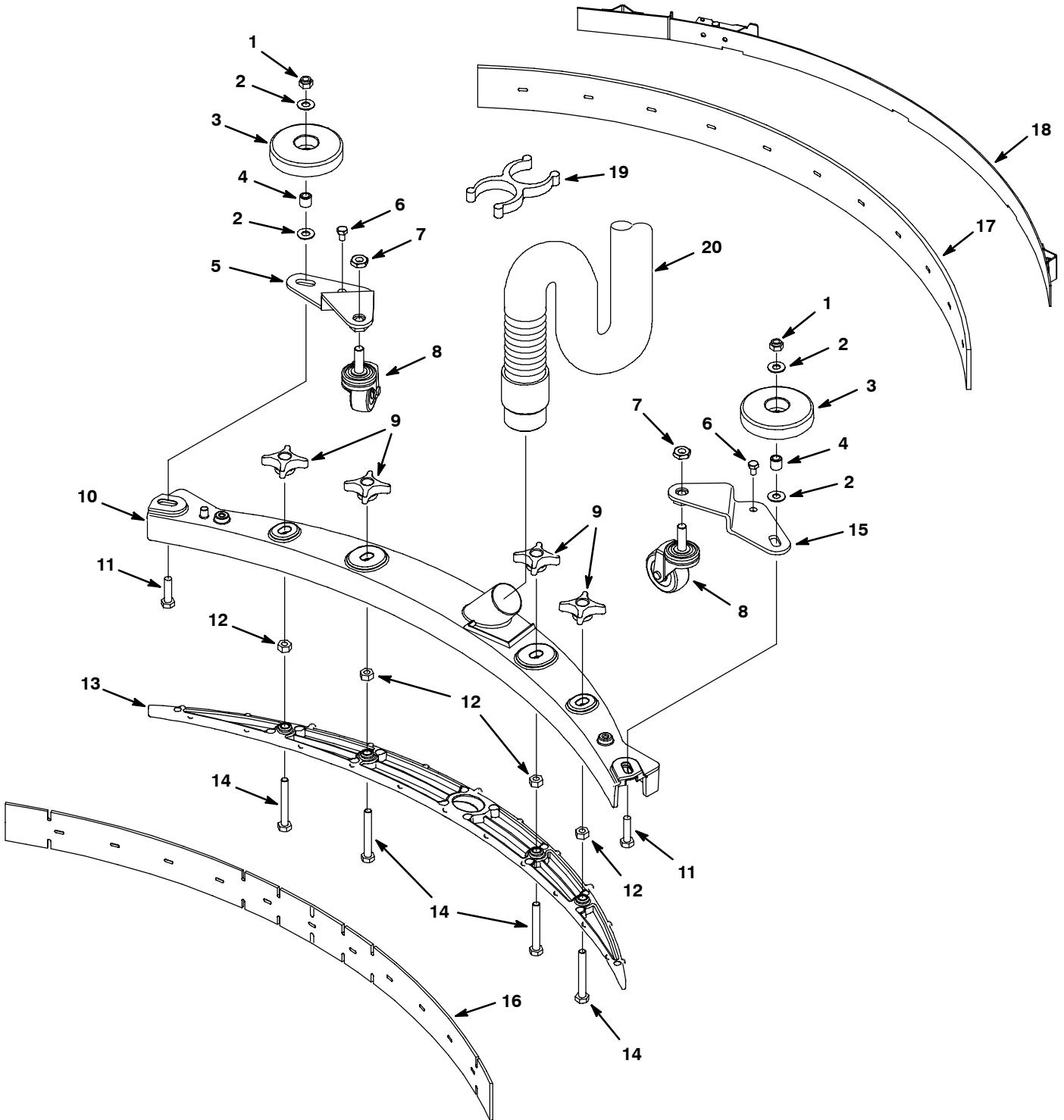


## SQUEEGEE LIFT GROUP

Ref.	Part No.	Serial Number	Description	Qty.
1	1008675	(00000000-	)● Gasket, Edge, Foam, 24.00l [Fr]	1
2	579211	(00000000-	) Nut, Hex, Lock, M3 X .5, Ss	2
3	41578	(00000000-	) Washer, Flat, #06, Ss	4
4	1012568	(00000000-	)● Switch, Snap, 10a, Short	1
5	09739	(00000000-	) Nut, Hex, Lock, M5 X 0.8, NI, Ss	3
6	01683	(00000000-	) Washer, Flat, #10, Ss	3
7	1024060	(00000000-	) Spring, Lever, Sqge, W/ 90° Bend	1
8	08713	(00000000-	) Nut, Hex, Lock, M8 X 1.25, NI, Ss	1
9	1016331	(00000000-	) Washer, Flat, 0.34b 1.25d .11, Ss	1
10	1020922	(00000000-	) Bracket, Lift, Sqge	1
11	1034731	(00000000-	) Screw, Hex, M6 X 1.00 X 16, Sems, Ss	2
12	140052	(00000000-	) Washer, Lock, Ext, 0.25 Ss	1
13	1017156	(00000000-	) Knob, Ball, M8 Insert, 40mmd, Plstc	1
14	1024354	(00000000-	) Lever, Sqge	1
15	1012747	(00000000-	) Balljoint, M6 X 1.0 Fem, M6 X 1.0 Mal	2
16	07785	(00000000-	) Nut, Hex, Std, M6 X 1.00, A2, Ss	2
17	1024105	(00000000-	)● Cable, Lift, Sqge	1
18	08712	(00000000-	) Nut, Hex, Lock, M6 X 1.0, Ss, NI	2
19	1013397	(00000000-	) Washer, Flat, M13 X 30 X 0.8, Nyl	2
20	1014336	(00000000-	) Sleeve, P/M, 8.40b 12.60d 14.5l, PI	1
21	06922	(00000000-	) Screw, Pan, M3 X 0.5 X 20, 4.8	2
22	1009363	(00000000-	) Bushing, Cable	1
23	621236	(00000000-	) Ring, Retaining, Ext, 0.81d	1
24	12309	(10387970-	) Screw, Hex, M12 X 1.75 X 30, Ss	2
25	09741	(10387970-	) Nut, Hex, Lock, M12 X 1.75, NI, Ss	2
26	140045	(00000000-	) Washer, Flat, 0.51b 1.25d .06, Ss	5
27	1013662	(00000000-	) Bushing, Sleeve, 12mm 16mm 6.5mml, Pm Yw	2
28	1020974	(00000000-	) Bracket Wldt, Pivot, Sqge	1
1038515	<del>1020421</del>	(10387970-	) Bracket, Mtg, Sqge, [T5] Cast Alum	1
30	606058	(00000000-	)● Bearing, Flng .505id .753od	2
31	1026232	(00000000-	) Pin, Clevis, 0.50 D X 9.25l	1
32	140626	(00000000-	) Pin, Hair Cotter, 0.25 D .125 Wir	1
33	140423	(00000000-	) Spring, Brush Press	1
34	1029310	(00000000-	) Harness, Ground, 12 Awg	1
35	1038515	(00000000-10387969	) Bracket Kit, Sqge, Conversion [T5]	1
36	140024	(00000000-10387969	) Washer, Lock, Split, 0.50, Ss	2
37	1033003	(00000000-10387969	) Screw, Hex, M12 X 1.75 X 25, NI, Ss	2

● RECOMMENDED STOCK ITEMS

SQUEEGEE GROUP, 20 in / 500 mm



SQUEEGEE GROUP, 20 in / 500 mm

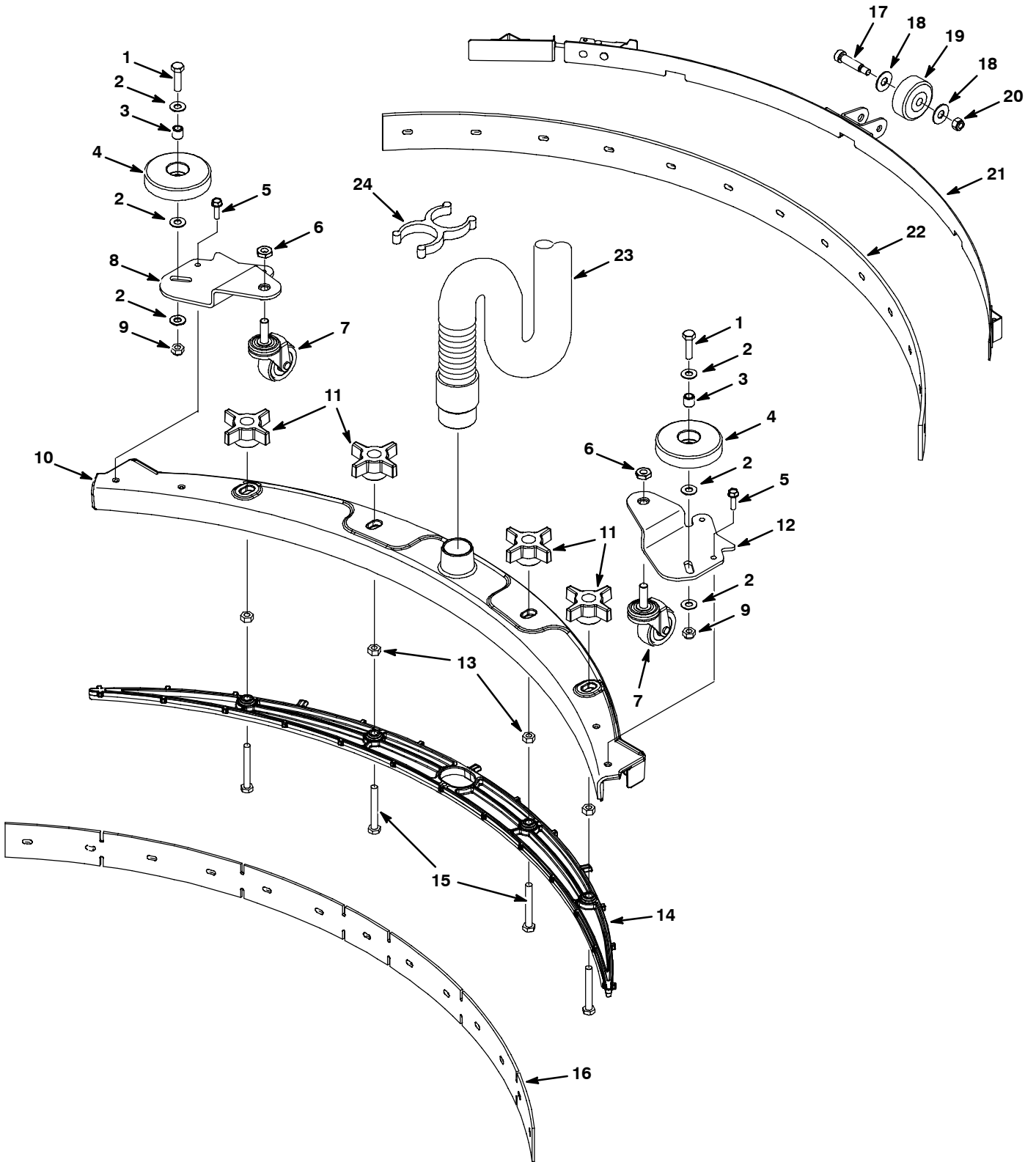
Ref.	Part No.	Serial Number	Description	Qty.
▽	9001178	(00000000-	)● Squeegee Assy Kit, 500mm, Ci	1
▲	1 08713	(00000000-	) Nut, Hex, Lock, M8 X 1.25, NI, Ss	2
▲	2 140027	(00000000-	) Washer, Flat, 0.35b 0.75d .04, Ss	4
▲	3 1010560	(00000000-	)● Wheel, Bmpr, 80d X 25w, Non-Marking	2
▲	4 222460	(00000000-	) Sleeve, P/M, 0.31b 0.50d 0.5l [430ss]	2
▲	5 1011228	(00000000-	) Plate, Mtg, Caster, Sqge, Rh	1
▲	6 74455	(00000000-	) Screw, Hex, M6 X 1.0 X 12, Fmg	2
▲	7 32716	(00000000-	) Nut, Hex, Jam, M10 X 1.5, Ss	2
▲	8 1006343	(00000000-	)● Caster, Swivel, 50mmd, M10 X 30 Stem, PI	2
▲	9 1010558	(00000000-	)● Knob, Star, 2.00d 4ear 0.7l M8x1.25 Thru	4
▲	10 1011163	(00000000-	) Frame, Sqge, 74cm, Die Cast [50cm]	1
▲	11 09011	(00000000-	) Screw, Hex, M8 X 1.25 X 30, Ss	2
▲	12 07786	(00000000-	) Nut, Hex, Std, M8 X 1.25, Ss	4
▲	13 1019919	(00000000-	) Retainer, Sqge, 76cm [50cm] Nyl, Blk	1
▲	14 1014163	(00000000-	) Screw, Hex, M8 X 1.25 X 60, Fl, Ss	4
▲	15 1011956	(00000000-	) Plate, Mtg, Caster, Sqge, Lh	1
▲	16 1011232	(00000000-	)● Blade, Sqge, Front, 500mml (Standard)	1
▲	16 1014091	(00000000-	)● Blade, Sqge, Front, 500mm, Gum (Optional)	1
▲	16 1014092	(00000000-	)● Blade, Sqge, Front, 500mml, Oil-Rstn (Optional)	1
▲	17 1011456	(00000000-	)● Blade, Sqge, Rear, 500mm Linatex (Standard)	1
▲	17 1014093	(00000000-	)● Blade, Sqge, Rear, 500mm Gum (Optional)	1
▲	17 1014094	(00000000-	)● Blade, Sqge, Rear, 500mm Oil-Rstn (Optional)	1
▲	18 1013933	(00000000-	) Strap Assy, Sqge, 500mm	1
	19 1014079	(00000000-	)● Clip, Grip, Hose, 1.50id, Dbl, Blk Pyp	1
	20 1014026	(00000000-	)● Hose, Vacuum, 1.5d X 57l, 2-Short Cuffs	1

▽ ASSEMBLY

▲ INCLUDED IN ASSEMBLY

● RECOMMENDED STOCK ITEMS

SQUEEGEE GROUP, 24 in / 600 mm



## SQUEEGEE GROUP, 24 in / 600 mm

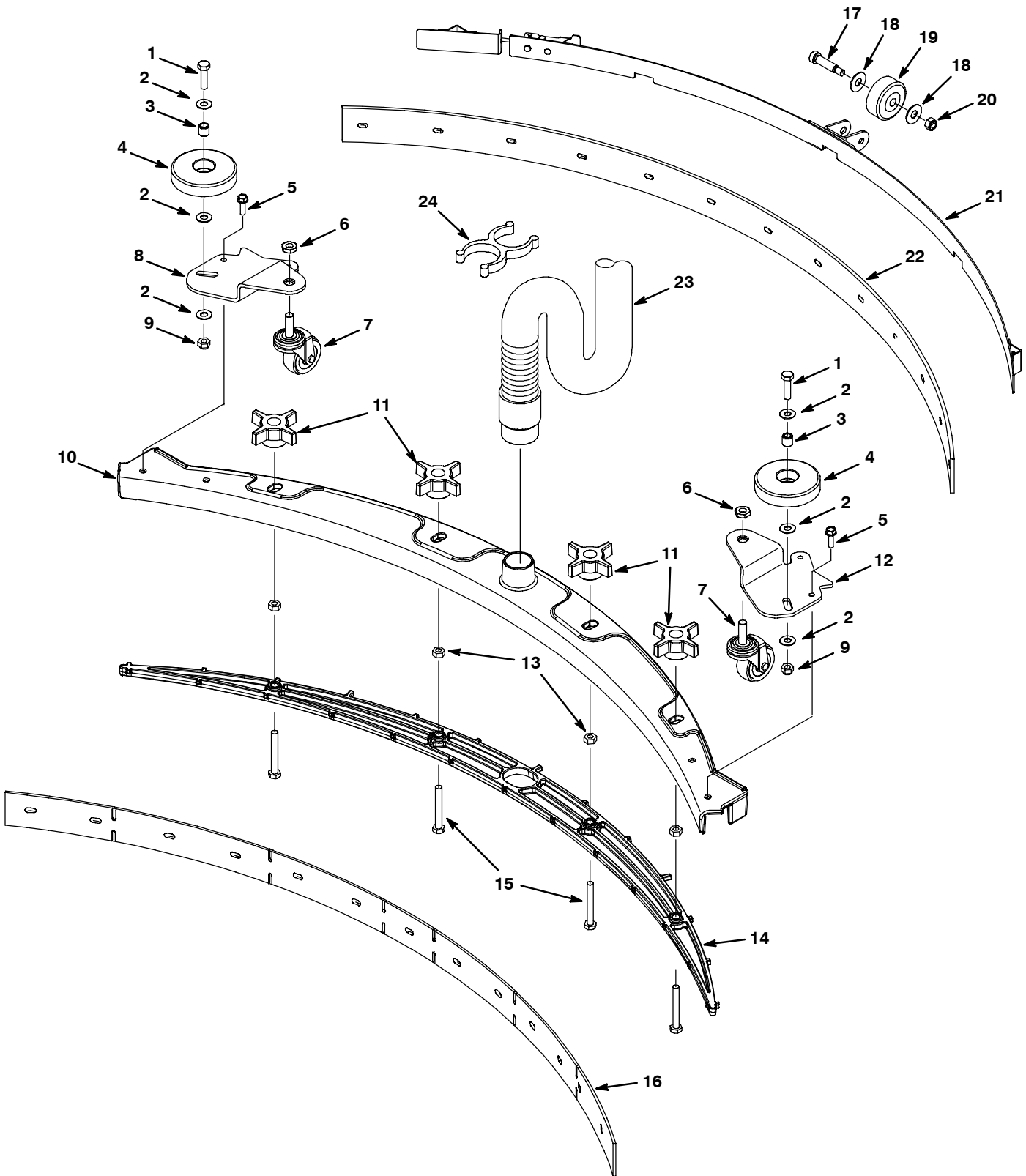
Ref.	Part No.	Serial Number	Description	Qty.
▽	9002679	(00000000-	)● Kit, Squeegee, 600mm Ci	1
▲	1 09011	(00000000-	) Screw, Hex, M8 X 1.25 X 30, Ss	2
▲	2 140027	(00000000-	) Washer, Flat, 0.35b 0.75d .04, Ss	6
▲	3 222460	(00000000-	) Sleeve, P/M, 0.496d 0.318b 0.50l 430ss	2
▲	4 1010560	(00000000-	)● Wheel, Bmpr, 80d X 25w, Non-Marking	2
▲	5 12459	(00000000-	) Screw, Hex, M6 X 1.0 X 20, Fmg	4
▲	6 32716	(00000000-	) Nut, Hex, Jam, M10 X 1.5, Ss	2
▲	7 1006343	(00000000-	)● Caster, Swivel, 50mm D, M10 X 30 Stem,Zn	2
▲	8 1023273	(00000000-	) Plate, Caster, Mtg, Sqge, Rh	1
▲	9 08713	(00000000-	) Nut, Hex, Lock, M8 X 1.25, NI, Ss	2
▲	10 1021798	(00000000-	) Frame, Sqge, 89cm [60cm]	1
▲	11 1015911	(00000000-	)● Knob, Star, 2.75d 4ear 1.1l M8x1.25 Thru	4
▲	12 1023291	(00000000-	) Plate, Caster, Mtg, Sqge, Lh	1
▲	13 07786	(00000000-	) Nut, Hex, Std, M8 X 1.25, Ss	4
▲	14 1026354	(00000000-	) Retainer , Blade, Sqge, 600mm [Plstc]	1
▲	15 1014163	(00000000-	) Screw, Hex, M8 X 1.25 X 60, FI, Ss	4
▲	16 1021804	(00000000-	)● Blade, Sqge, Front, 88cml [Lnx, 60cm] (Standard)	1
▲	16 1025333	(00000000-	)● Blade, Sqge, Front, 88cml, Gum [60cm] (Optional)	1
▲	16 1025334	(00000000-	)● Blade, Sqge, Front, 88cml, Ure [60cm] (Optional)	1
▲	17 600187	(00000000-	) Bolt, Shld, .38d X 1.25, .31-18	1
▲	18 140028	(00000000-	) Washer, Flat, 0.42b 1.00d .05, Ss	2
▲	19 630477	(00000000-	)● Wheel, Pyu, 2.0d 0.38w, Gray	1
▲	20 32983	(00000000-	) Nut, Hex, Lock, .31-18, NI	1
▲	21 1022456	(00000000-	) Retainer Assy, Blade, Sqge, 600mm	1
▲	22 1021333	(00000000-	)● Blade, Sqge, Rear, 88cm,Linatex[60cm] (Standard)	1
▲	22 1025335	(00000000-	)● Blade, Sqge, Rear, 88cml, Gum [60cm] (Optional)	1
▲	22 1025336	(00000000-	)● Blade, Sqge, Rear, 88cm, Ure [60cm] (Optional)	1
▲	23 1014026	(00000000-	)● Hose, Vacuum, 1.5d X 57l, 2-Short Cuffs	1
▲	24 1014079	(00000000-	)● Clip, Hose, Gripper, 1.50id, Dbl, Blk Pp	1

▽ ASSEMBLY

▲ INCLUDED IN ASSEMBLY

● RECOMMENDED STOCK ITEMS

SQUEEGEE GROUP, 26 in / 650 mm & 28 in / 700 mm





SQUEEGEE GROUP, 26 in / 650 mm & 28 in / 700 mm

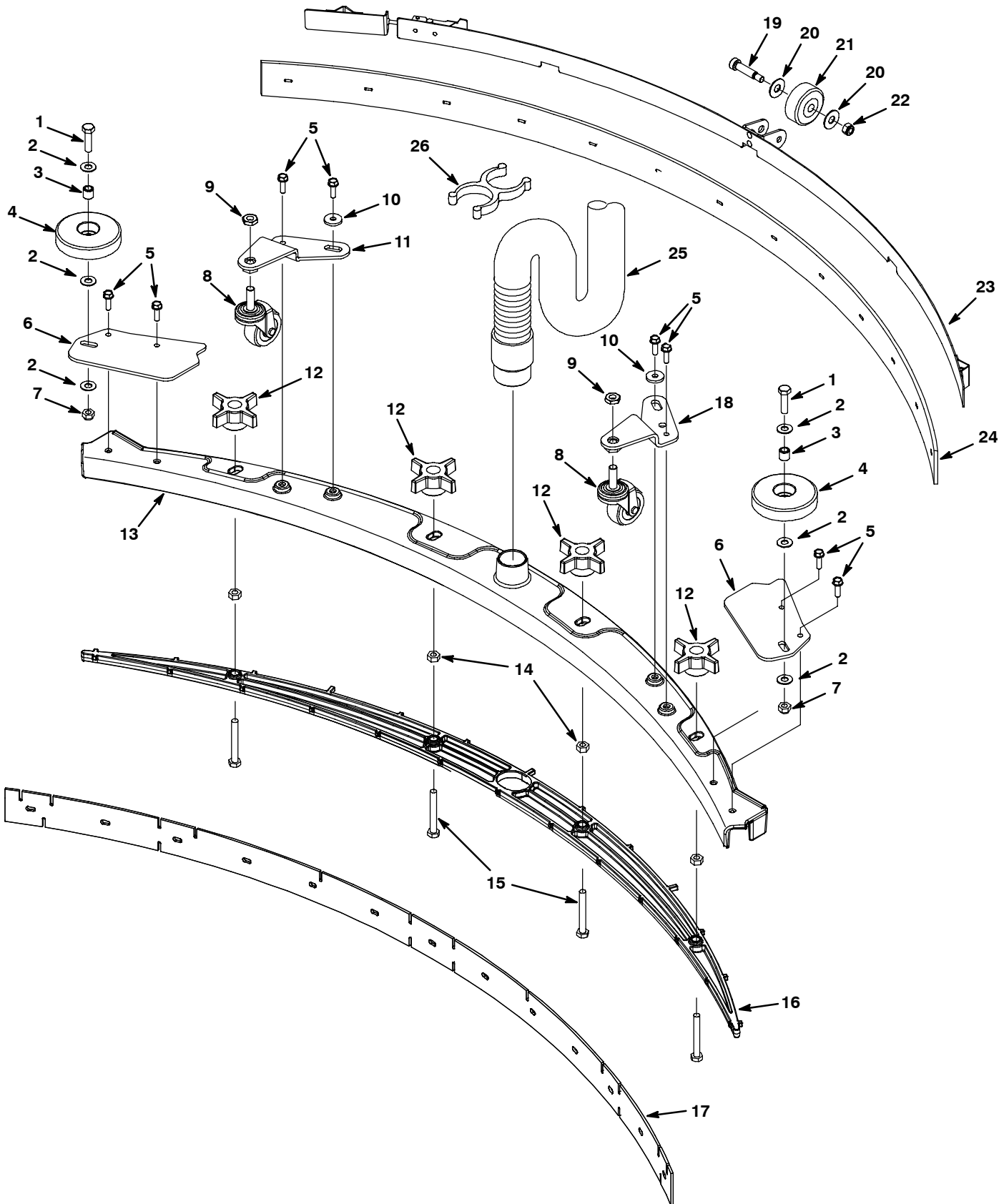
Ref.	Part No.	Serial Number	Description	Qty.
▽	9002680	(00000000-	)● Kit, Squeegee, 700mm Ci	1
▲	1 09011	(00000000-	) Screw, Hex, M8 X 1.25 X 30, Ss	2
▲	2 140027	(00000000-	) Washer, Flat, 0.35b 0.75d .04, Ss	6
▲	3 222460	(00000000-	) Sleeve, P/M, 0.496d 0.318b 0.50l 430ss	2
▲	4 1010560	(00000000-	)● Wheel, Bmpr, 80d X 25w, Non-Marking	2
▲	5 12459	(00000000-	) Screw, Hex, M6 X 1.0 X 20, Fmg	4
▲	6 32716	(00000000-	) Nut, Hex, Jam, M10 X 1.5, Ss	2
▲	7 1006343	(00000000-	)● Caster, Swivel, 50mm D, M10 X 30 Stem,Zn	2
▲	8 1023273	(00000000-	) Plate, Caster, Mtg, Sqge, Rh	1
▲	9 08713	(00000000-	) Nut, Hex, Lock, M8 X 1.25, NI, Ss	2
▲	10 1023326	(00000000-	) Frame, Sqge, 104cm [70cm]	1
▲	11 1015911	(00000000-	)● Knob, Star, 2.75d 4ear 1.1l M8x1.25 Thru	4
▲	12 1023291	(00000000-	) Plate, Caster, Mtg, Sqge, Lh	1
▲	13 07786	(00000000-	) Nut, Hex, Std, M8 X 1.25, Ss	4
▲	14 1026416	(00000000-	) Retainer, Blade, Sqge, 700mm [Plstc]	1
▲	15 1014163	(00000000-	) Screw, Hex, M8 X 1.25 X 60, FI, Ss	4
▲	16 1023327	(00000000-	)● Blade, Sqge, Front, 98cml [Lnx, 70cm] (Standard)	1
▲	16 1025337	(00000000-	)● Blade, Sqge, Front, 98cml, Gum [70cm] (Optional)	1
▲	16 1025339	(00000000-	)● Blade, Sqge, Front, 98cml, Ure [70cm] (Optional)	1
▲	17 600187	(00000000-	) Bolt, Shld, .38d X 1.25, .31-18	1
▲	18 140028	(00000000-	) Washer, Flat, 0.42b 1.00d .05, Ss	2
▲	19 630477	(00000000-	)● Wheel, Pyu, 2.0d 0.38w, Gray	1
▲	20 32983	(00000000-	) Nut, Hex, Lock, .31-18, NI	1
▲	21 1023335	(00000000-	) Bracket Wldt, Sqge, Band Clamp, 98cm	1
▲	22 1023329	(00000000-	)● Blade, Sqge, Rear, 98cm, Linatex[70cm] (Standard)	1
▲	22 1025340	(00000000-	)● Blade, Sqge, Rear, 98cml, Gum [70cm] (Optional)	1
▲	22 1025341	(00000000-	)● Blade, Sqge, Rear, 98cm, Ure [70cm] (Optional)	1
	23 1014026	(00000000-	)● Hose, Vacuum, 1.5d X 57l, 2-Short Cuffs	1
	24 1014079	(00000000-	)● Clip, Hose, Gripper, 1.50id, Dbl, Blk Pp	1

▽ ASSEMBLY

▲ INCLUDED IN ASSEMBLY

● RECOMMENDED STOCK ITEMS

SQUEEGEE GROUP, 32 in / 800 mm



## SQUEEGEE GROUP, 32 in / 800 mm

Ref.	Part No.	Serial Number	Description	Qty.
▽	9002681	(00000000-	)● Kit, Squeegee, 800mm Ci	1
▲	1 09011	(00000000-	) Screw, Hex, M8 X 1.25 X 30, Ss	2
▲	2 140027	(00000000-	) Washer, Flat, 0.35b 0.75d .04, Ss	6
▲	3 222460	(00000000-	) Sleeve, P/M, 0.496d 0.318b 0.50l 430ss	2
▲	4 1010560	(00000000-	)● Wheel, Bmpr, 80d X 25w, Non-Marking	2
▲	5 12459	(00000000-	) Screw, Hex, M6 X 1.0 X 20, Fmg	8
▲	6 1023426	(00000000-	) Bracket, Mtg, Sqge Bumper	2
▲	7 08713	(00000000-	) Nut, Hex, Lock, M8 X 1.25, NI, Ss	2
▲	8 1006343	(00000000-	)● Caster, Swivel, 50mm D, M10 X 30 Stem,Zn	2
▲	9 32716	(00000000-	) Nut, Hex, Jam, M10 X 1.5, Ss	2
▲	10 140053	(00000000-	) Washer, Flat, 0.28b 0.88d .12, Ss	2
▲	11 1011228	(00000000-	) Plate, Mtg, Caster, Sqge, Rh	1
▲	12 1015911	(00000000-	)● Knob, Star, 2.75d 4ear 1.1l M8x1.25 Thru	4
▲	13 1023396	(00000000-	) Frame, Sqge, 117cm [80cm]	1
▲	14 07786	(00000000-	) Nut, Hex, Std, M8 X 1.25, Ss	4
▲	15 1014163	(00000000-	) Screw, Hex, M8 X 1.25 X 60, FI, Ss	4
▲	16 1024970	(00000000-	) Retainer, Blade, Sqge, 800mm [Plstc]	1
▲	17 1023398	(00000000-	)● Blade, Sqge, Front, 105cm [Linx 80cm] (Standard)	1
▲	17 1025342	(00000000-	)● Blade, Sqge, Front, 105cml, Gum[80cm] (Optional)	1
▲	17 1025343	(00000000-	)● Blade, Sqge, Front, 105cm, Ure [80cm] (Optional)	1
▲	18 1011956	(00000000-	) Plate, Mtg, Caster, Sqge, Lh	1
▲	19 600187	(00000000-	) Bolt, Shld, .38d X 1.25, .31-18	1
▲	20 140028	(00000000-	) Washer, Flat, 0.42b 1.00d .05, Ss	2
▲	21 630477	(00000000-	)● Wheel, Pyu, 2.0d 0.38w, Gray	1
▲	22 32983	(00000000-	) Nut, Hex, Lock, .31-18, NI	1
▲	23 1023400	(00000000-	)● Retainer Assy, Blade, Sqge, 800mm	1
▲	24 1023399	(00000000-	)● Blade, Sqge, Rear, 105cml[Linx, 80cm] (Standard)	1
▲	24 1025344	(00000000-	)● Blade, Sqge, Rear, 105cml, Gum [80cm] (Optional)	1
▲	24 1025346	(00000000-	)● Blade, Sqge, Rear, 105cml, Ure [80cm] (Optional)	1
	25 1014026	(00000000-	)● Hose, Vacuum, 1.5d X 57l, 2-Short Cuffs	1
	26 1014079	(00000000-	)● Clip, Hose, Gripper, 1.50id, Dbl, Blk Pp	1

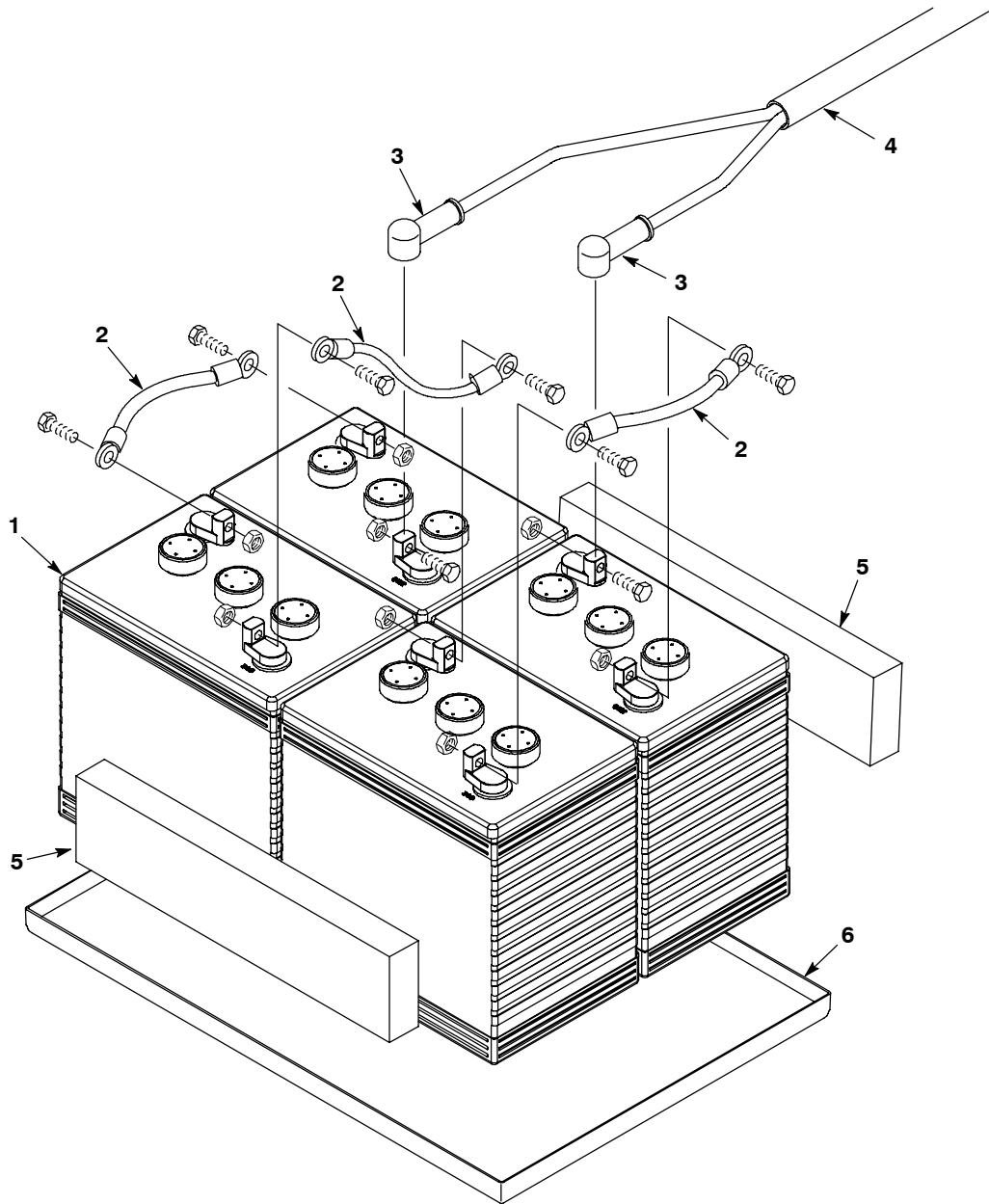
▽ ASSEMBLY

▲ INCLUDED IN ASSEMBLY

● RECOMMENDED STOCK ITEMS

# STANDARD PARTS

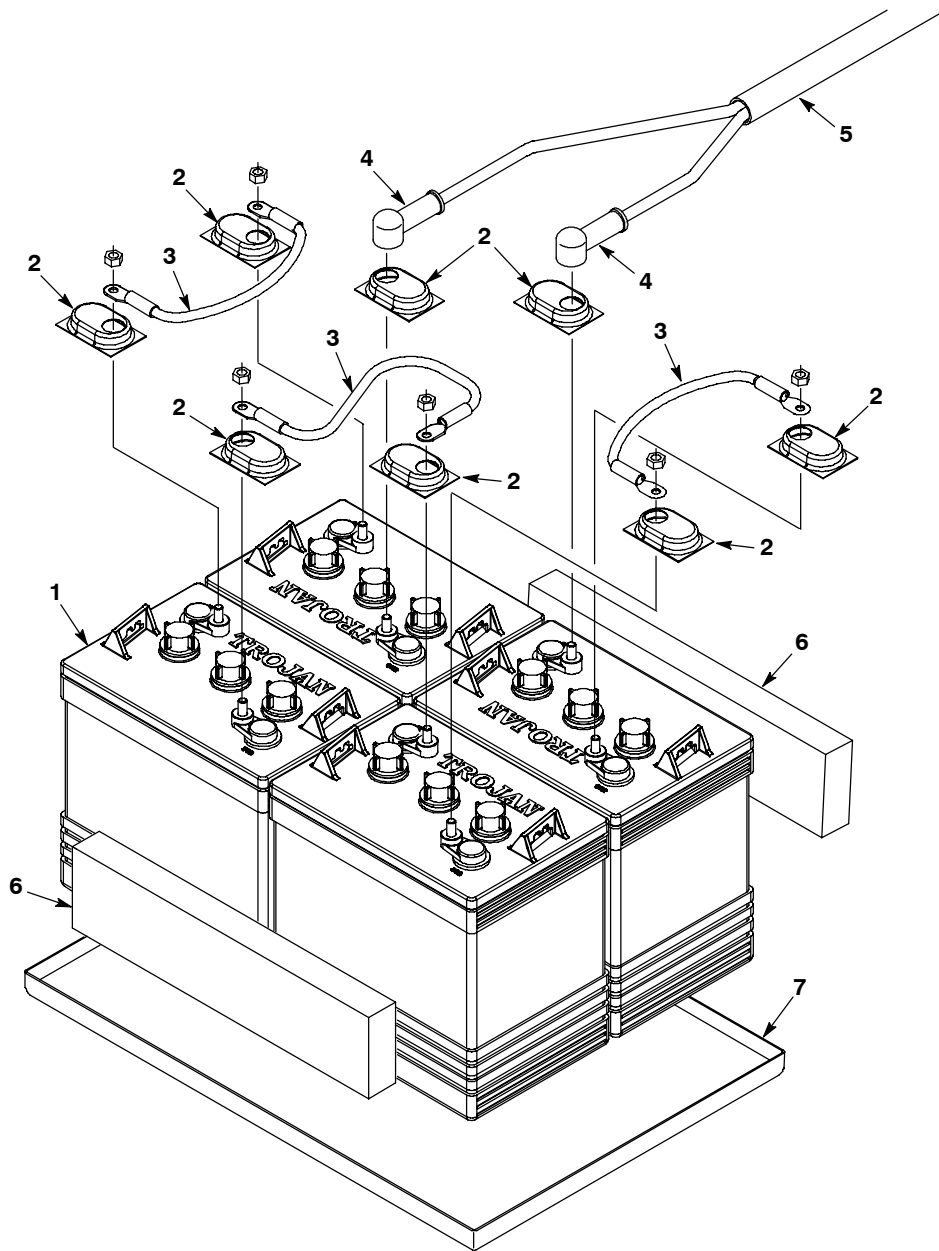
## BATTERY GROUP, MAINTENANCE FREE 200 Ah



Ref.	Part No.	Serial Number	Description	Qty.
1	1021446	(00000000-	)● Battery, 6v, 200ah Agm	4
2	130364	(00000000-	)● Cable, 06ga 15.0l Blk .31ring /.38ring	3
3	611221	(00000000-	)● Boot, Terminal, Battery, 25.4mm, Blk	8
4	1024479	(00000000-	) Harness, Battery, Us	1
5	630375	(00000000-	) Spacer, Battery, 1.25 X 3.25 X 13.7 Foam	2
6	613971	(00000000-	) Tray, Battery, Trimmed	1

● RECOMMENDED STOCK ITEMS

BATTERY GROUP, LEAD-ACID 235 Ah

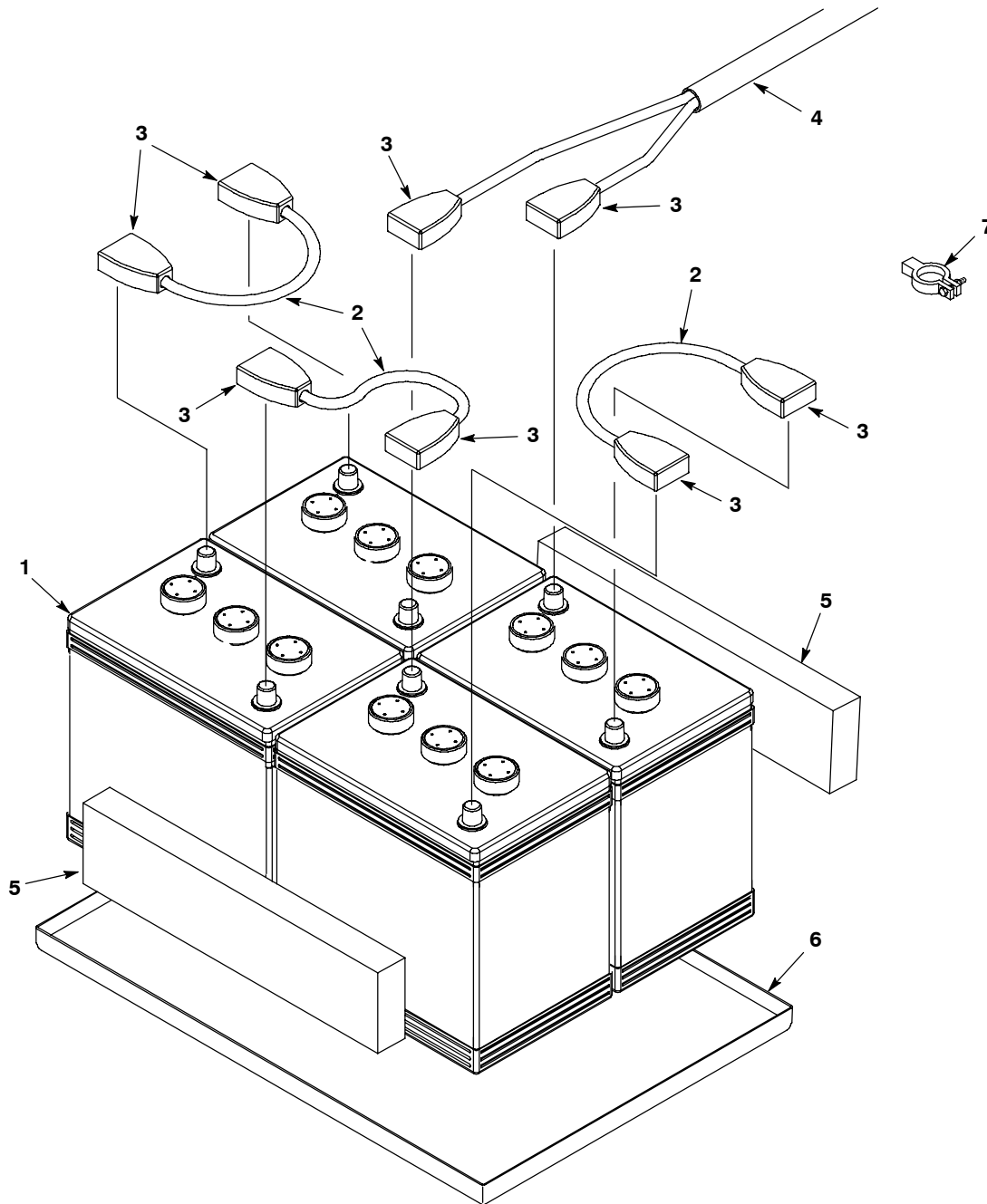


Ref.	Part No.	Serial Number	Description	Qty.
1	222280	(00000000-	) ● Battery, 06vdc, 235ah, Wet	4
2	45962	(00000000-	) ● Cap, Plstc, .04 1.38 X 2.30 0.5l	8
3	130364	(00000000-	) ● Cable, 06ga 15.0l Blk .31ring /.38ring	3
4	611221	(00000000-	) ● Boot, Terminal, Battery, 25.4mm, Blk	8
5	1024479	(00000000-	) Harness, Battery, Us	1
6	630375	(00000000-	) Spacer, Battery, 1.25 X 3.25 X 13.7 Foam	2
7	613971	(00000000-	) Tray, Battery, Trimmed	1

● RECOMMENDED STOCK ITEMS

# STANDARD PARTS

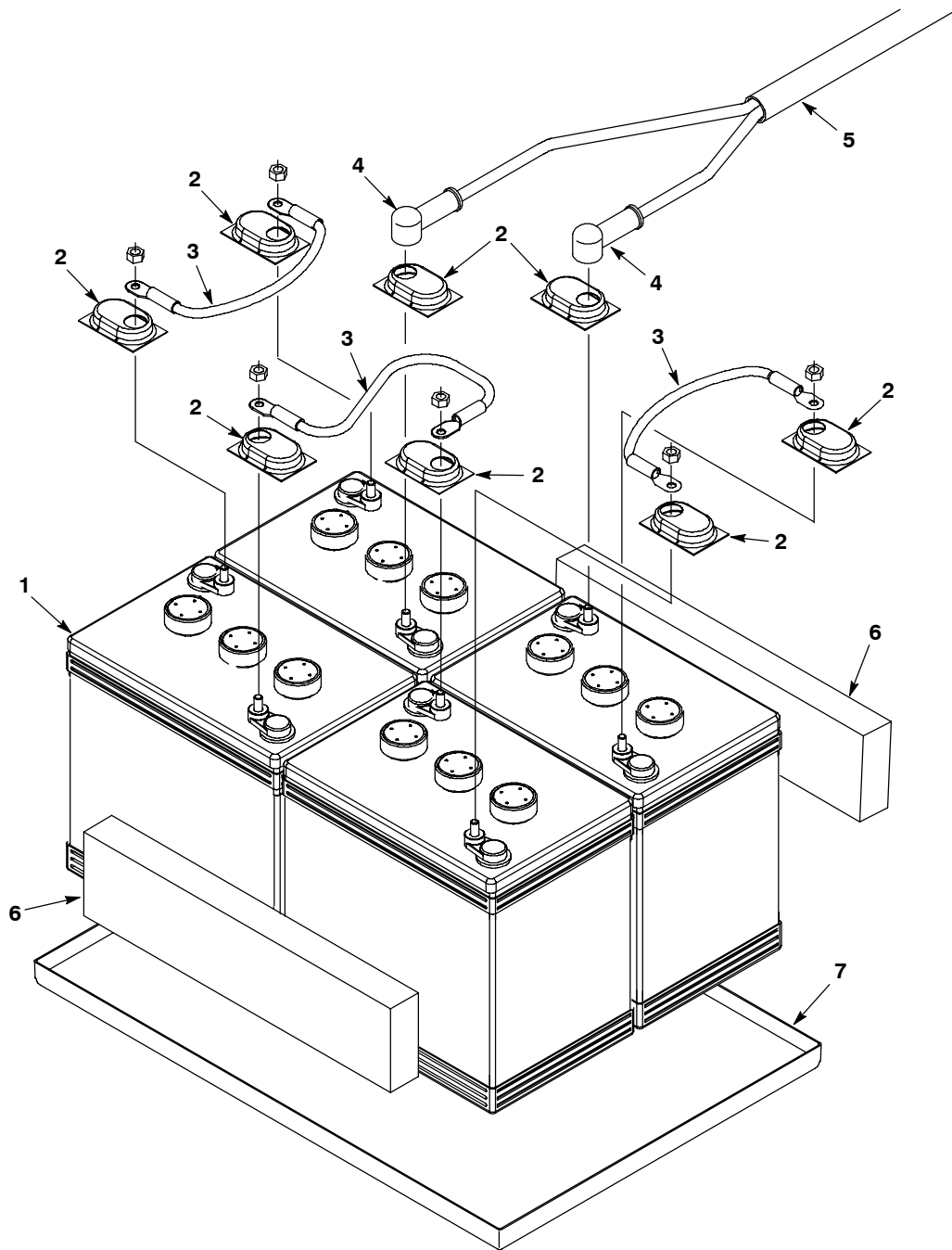
## BATTERY GROUP, MAINTENANCE FREE 160 Ah (Japan)



Ref.	Part No.	Serial Number	Description	Qty.
1	994202	(00000000-)	● Battery, 06vdc 165ah [5h, Gf061602]	4
2	130364	(00000000-)	● Cable, 06ga 15.0l Blk .31ring /.38ring	3
3	989860	(00000000-)	● Cover Set, Terminal, Battery	4
4	1024479	(00000000-)	) Harness, Battery, Us	1
5	630375	(00000000-)	) Spacer, Battery, 1.25 X 3.25 X 13.7 Foam	2
6	613971	(00000000-)	) Tray, Battery, Trimmed	1
7	93580	(00000000-)	● Clamp, Post, Battery, Positive	4
7	93581	(00000000-)	● Clamp, Post, Battery, Negative	4

● RECOMMENDED STOCK ITEMS

BATTERY GROUP, LEAD ACID 180 Ah (Japan)

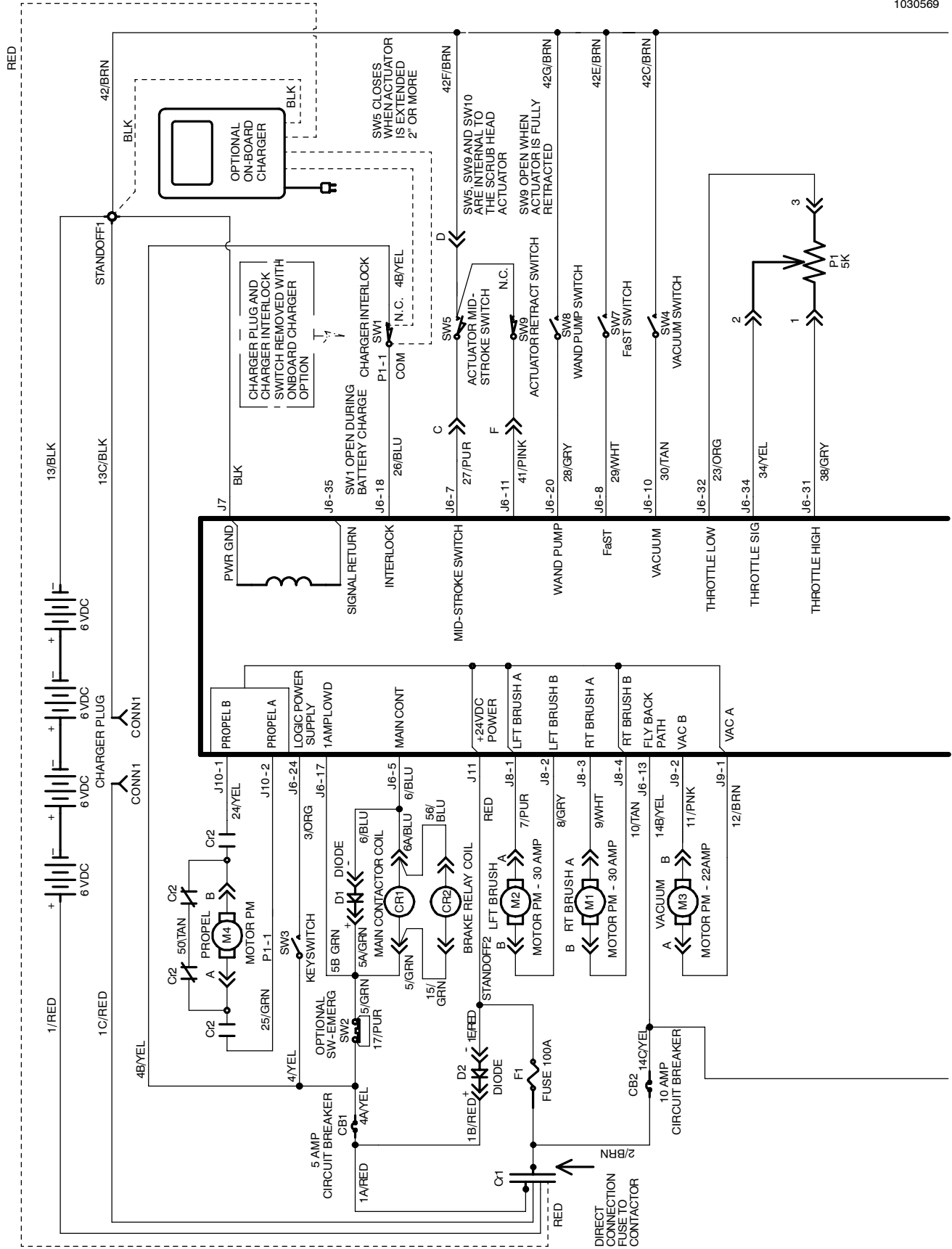


Ref.	Part No.	Serial Number	Description	Qty.
1	10155	(00000000-	)● Battery, Wet, 06vdc	4
2	45962	(00000000-	)● Cap, Plstc, .04 1.38 X 2.30 0.5l	8
3	130364	(00000000-	)● Cable, 06ga 15.0l Blk .31ring /.38ring	3
4	611221	(00000000-	)● Boot, Terminal, Battery, 25.4mm, Blk	8
5	1024479	(00000000-	) Harness, Battery, Us	1
6	630375	(00000000-	) Spacer, Battery, 1.25 X 3.25 X 13.7 Foam	2
7	613971	(00000000-	) Tray, Battery, Trimmed	1

● RECOMMENDED STOCK ITEMS

ELECTRICAL DIAGRAM, STANDARD & FaST MODEL

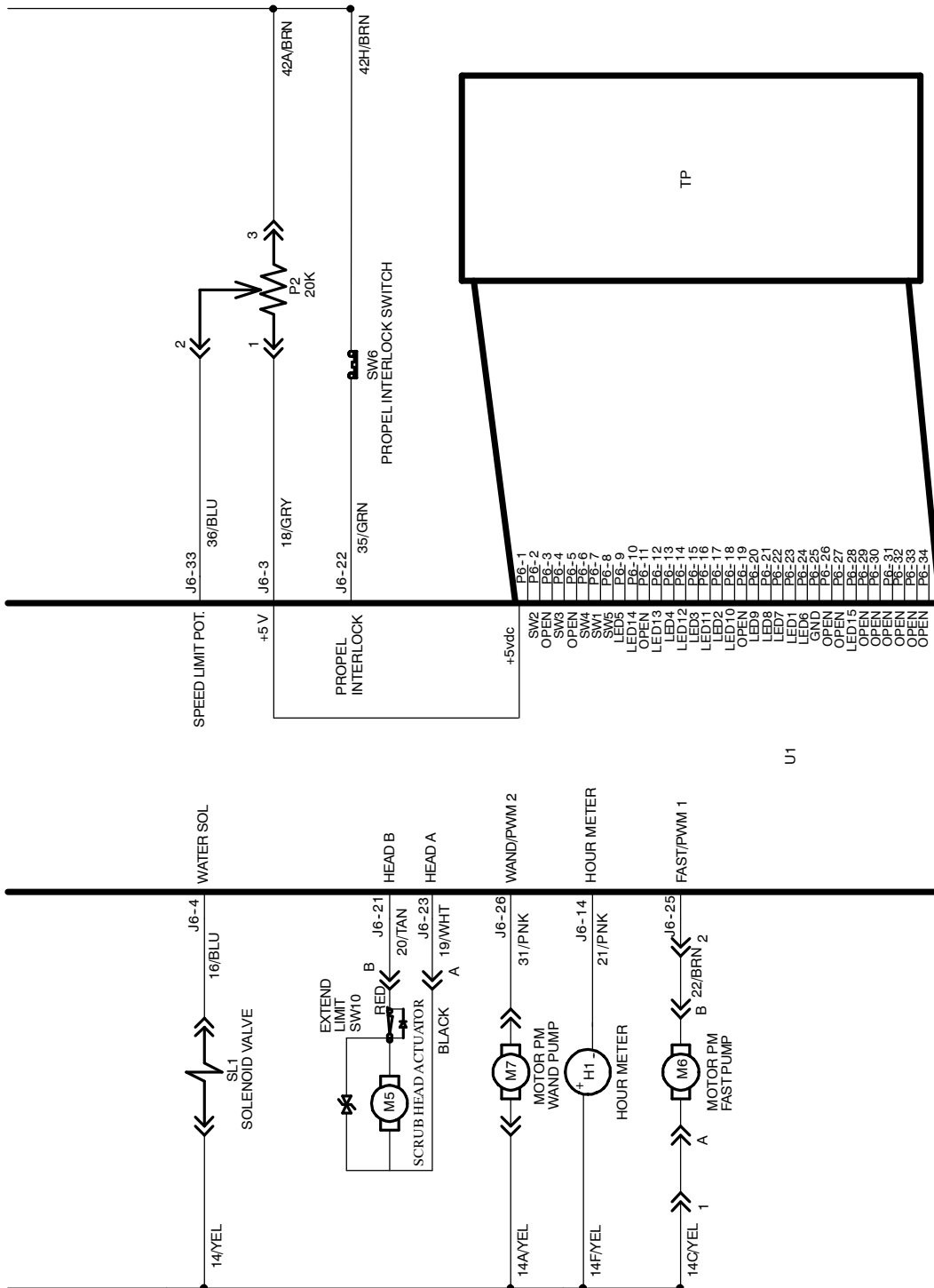
1030569





ELECTRICAL DIAGRAM, STANDARD & FaST MODEL

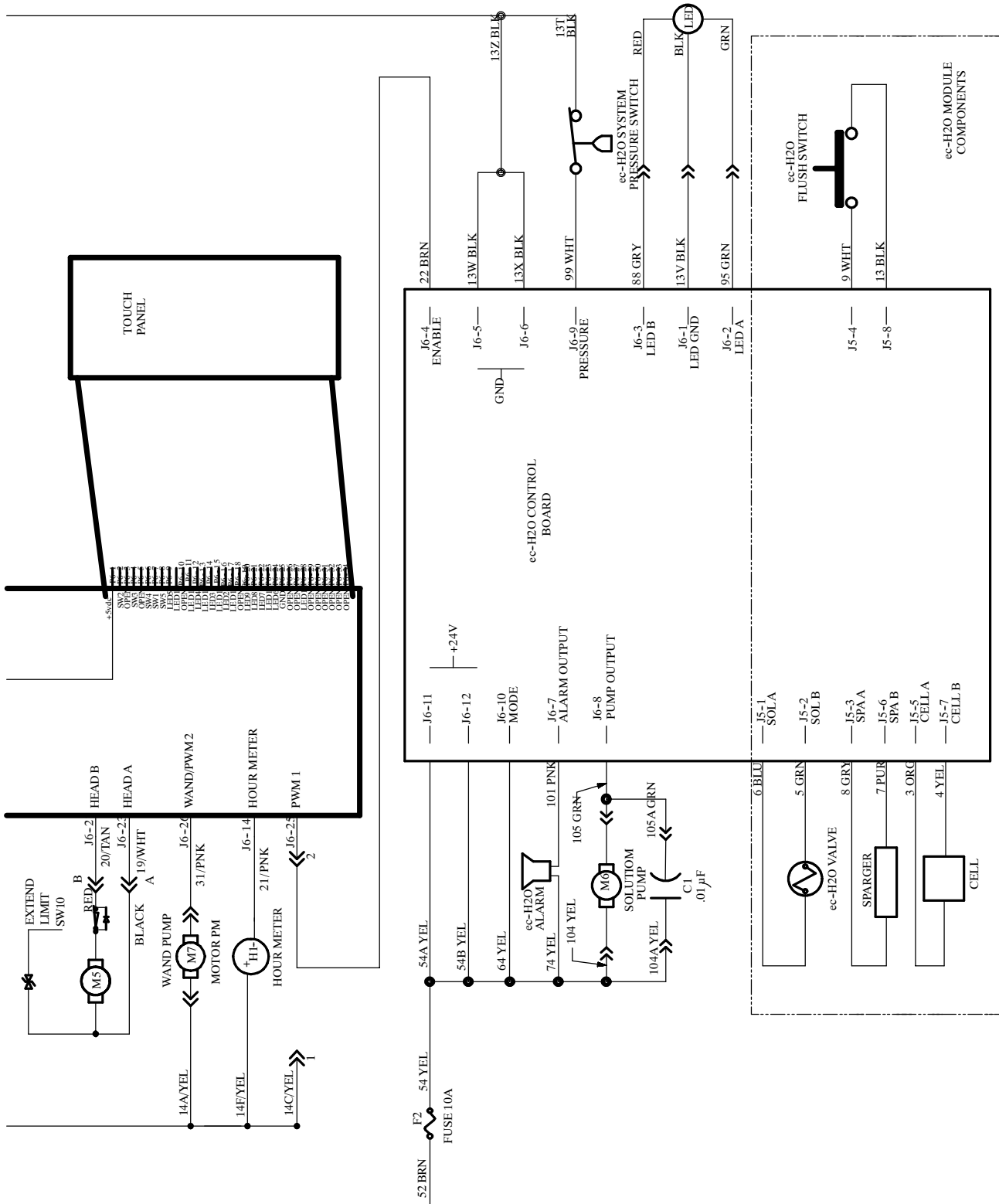
1030569



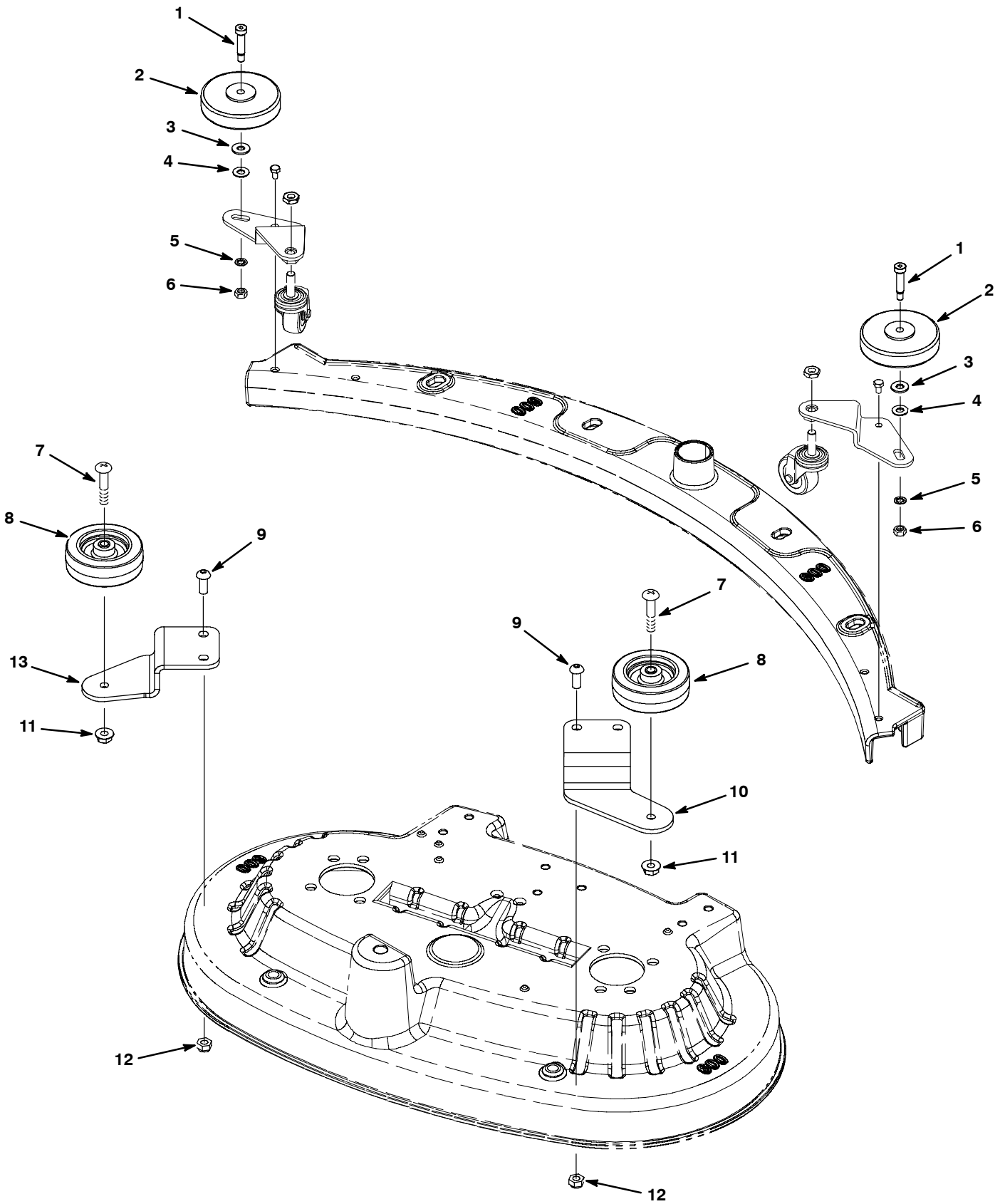


ELECTRICAL DIAGRAM, *ec-H2O* MODEL

1044406



BUMPER WHEEL KIT



**BUMPER WHEEL KIT**

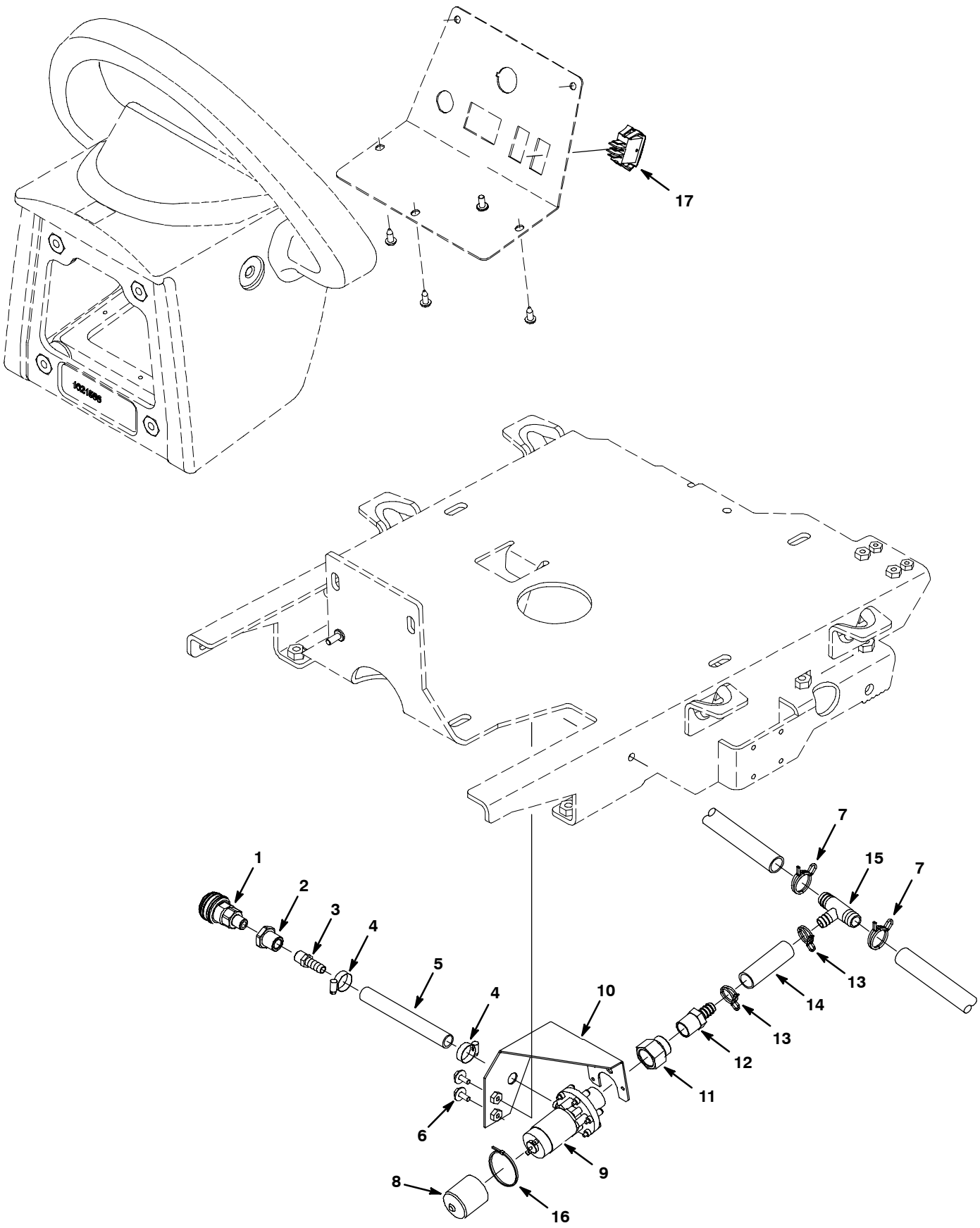
Ref.	Part No.	Serial Number	Description	Qty.
▽	9004459	(00000000-	)● Wheel Kit, Bumper, Retrofit [T5]	1
▲	1 600187	(00000000-	) Bolt, Shld, .38d X 1.25, .31-18	2
▲	2 614317	(00000000-	)● Wheel, 04.0d 1.00w 0.38b, Rbr, Gray	2
▲	3 01685	(00000000-	) Washer, Flat, 0.38b 0.88d .08, Ss	2
▲	4 069762311	(00000000-	) Washer, Flat, M7.9b X 19d X 1.7 Ss	2
▲	5 43952	(00000000-	) Washer, Lock, Int, 0.31, Ss	2
▲	6 140506	(00000000-	) Nut, Hex, Std, .31-18, Ss	2
▲	7 606983	(00000000-	) Screw, Trs, M8 X 1.25 X 40, Phl, Pl	2
▲	8 1014918	(00000000-	)● Wheel, 03.0d 0.88w 0.31b, W/ Bshg, Rbr	2
▲	9 393135	(00000000-	) Screw, Btn, M8 X 1.25 X 20, Blk	4
▲	10 1023268	(00000000-	) Bracket, Roller, Wall, Scb Head, 70cm	1
▲	11 07791	(00000000-	) Nut, Hex, Flng, M8 X 1.25	2
▲	12 08713	(00000000-	) Nut, Hex, Lock, M8 X 1.25, Nl, Ss	4
▲	13 1022344	(00000000-	) Bracket, Roller, Wall, Scb Head, 60cm	1

▽ ASSEMBLY

▲ INCLUDED IN ASSEMBLY

● RECOMMENDED STOCK ITEMS

WAND PUMP KIT



WAND PUMP KIT

Ref.	Part No.	Serial Number	Description	Qty.
▽	9003398	(00000000-	) Pump Kit, Wand, Power, Ci [T5]	1
▲	1 608292	(00000000-	)● Connection, Quick, Fem .375" X .25" Npt	1
▲	2 78122	(00000000-	) Fitting, Brs, Str, Pf04/Pf04, Bh	1
▲	3 150516	(00000000-	) Fitting, Brs, Str, Pm04/Bm06	1
▲	4 54333	(00000000-	) Clamp, Hose, Wormdrive, 0.31-0.88d, .31w	2
▲	5 575501000	(00000000-	) Hose 3/8idx5/8odx8" (376720)	1
▲	6 1034731	(00000000-	) Screw, Hex, M6 X 1.00 X 16, Sems, Ss	2
▲	7 1041978	(00000000-	) Clamp, Hose, Wir, .85 - .90, Silver	2
▲	8 605064	(00000000-	)● Cap, Vinyl, 1.38 D 1.6l	1
▲	9 630136	(00000000-	)● Pump, Soltn, Ele, 24vdc, 3116" Term 3/4"	1
▲	10 1023515	(00000000-	) Bracket, Mtg, Pump, Wand	1
▲	11 150017	(00000000-	) Fitting, Brs, Str, Pf08/Pf12, Cplg[Redr]	1
▲	12 1023581	(00000000-	) Fitting, Plstc, Str, Bm08/Pm08, Nyl	1
▲	13 607776	(00000000-	) Clamp, Hose, Wir, .73 - .77, Silver	2
▲	14 613521	(00000000-	) Hose, Pvc, Clr, 0.50id 0.75od 012.0l	1
▲	15 1015486	(00000000-	) Fitting, Plstc, Tee, Bm08/Bm10/Bm10, Br	1
▲	16 130773	(00000000-	) Tie, Cable, Nyl, 11.0l, .14w, 3.0 Max. D	2
▲	17 130787	(00000000-	)● Switch, Rocker, Spdt	1

▽ ASSEMBLY

▲ INCLUDED IN ASSEMBLY

● RECOMMENDED STOCK ITEMS





DELUXE POWER WAND GROUP

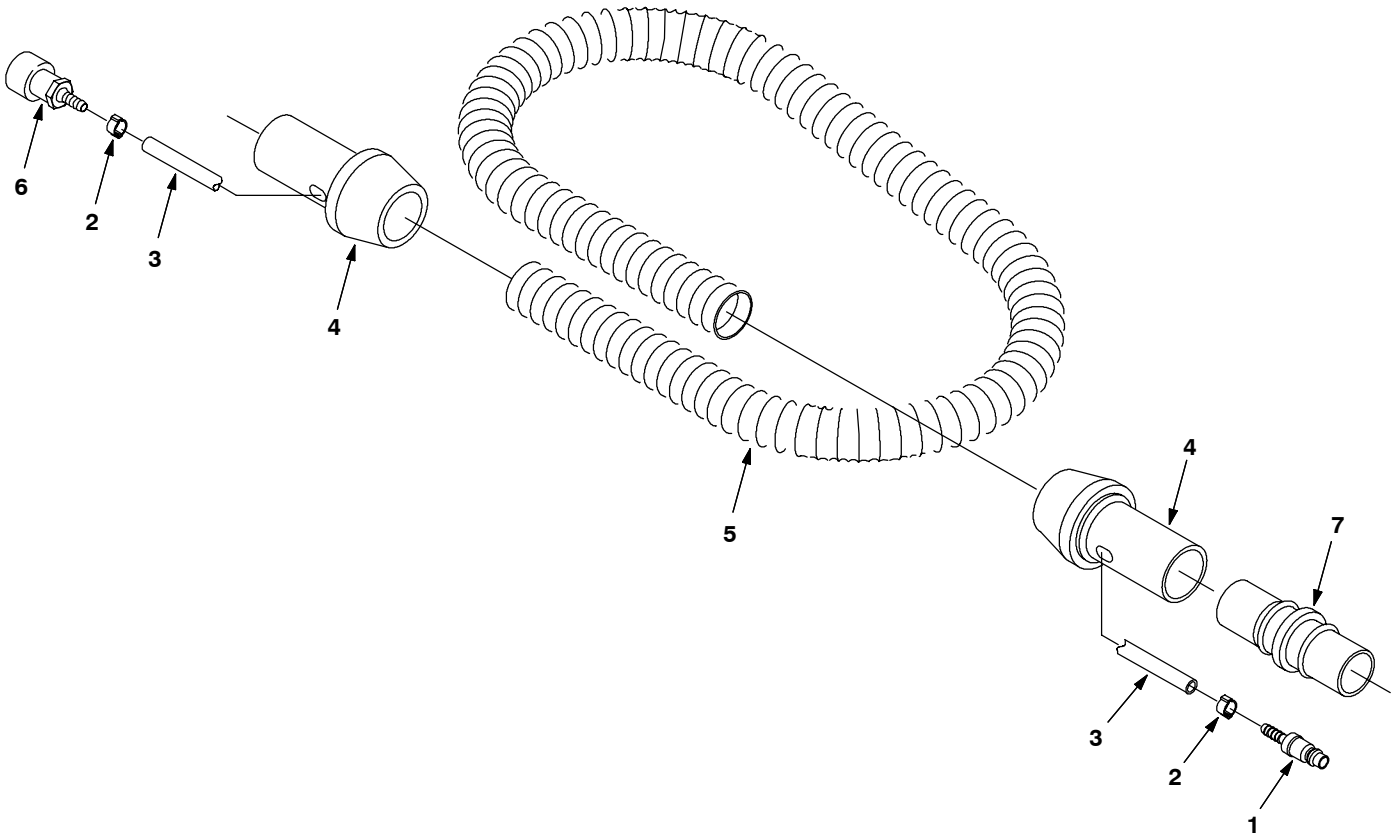
Ref.	Part No.	Serial Number	Description	Qty.
▽	65340	(00000000-	)● Wand Assy, Power	1
▲	1 578060000	(00000000-	) Wand, Dbl Bend, 38.1mmd	1
▲	2 578077000	(00000000-	) Bracket Valve Mounting Wand	1
▲	3 578061000	(00000000-	) Adapter, Head / Wand	2
▲	4 578214000	(00000000-	) Fitting, Plstc, E90, Bm04/Pm02	1
▲	5 579112	(00000000-	) Fitting Spray Nozzle Adapter	1
▲	6 602036000	(00000000-	) Rivet, Blind	2
▲	7 578066000	(00000000-	)● Fitting, Brs, Tip [75, .125k-Jet]	1
▲	8 65610	(00000000-	)● Brush, Power Wand, W/ Fastener, Pyp	1
▲	9 578063000	(00000000-	) Head, Wand	1
▲	10 578078000	(00000000-	) Retainer, Sqge, Wand	2
▲	11 578074000	(00000000-	)● Blade, Sqge, 300.8mml, Wand	2
▲	12 578124000	(00000000-	) Bracket,Axle,1hole	1
▲	13 578439	(00000000-	) Nut, Thumb, M6 X 1.0, 30d	1
▲	14 613732	(00000000-	) Spring, Cmpr, Conical 15mm	1
▲	15 578143000	(00000000-	) Screw, Set, M6 X 1.0 X 40, Cuppt, Ss	1
▲	16 578126000	(00000000-	) Axle,Wand	1
▲	17 578125000	(00000000-	)● Wheel, 41.3d, 19.1w, Rbr	2
▲	18 578123000	(00000000-	) Bracket,Axle,3hole	1
▲	19 578155000	(00000000-	) Handle Wldt, Wand	1
▲	20 578154000	(00000000-	) Bracket Handle Wand	1
▲	21 578091000	(00000000-	)● Fitting, Brs, Qdc, Pm04, Plug	1
▲	22 578164000	(00000000-	) Grommet,0.38"Id,0.62"Gd,.06"Gw	1
▲	23 578821000	(00000000-	)● Hose 1/4id X 3/8od X 1.22m	1
▲	24 578161000	(00000000-	) Clamp, Hose, Ear, 8-11mm, Ss	1
▲	25 578094000	(00000000-	) Fitting, Nyl, Str, Pm04/Bm04	1
▲	26 578064000	(00000000-	)● Valve, Cntrl, Water	1
▲	27 150208	(00000000-	) Fitting, Brs, Str, Pm02, Plug [Skhd]	1
▲	28 20399	(00000000-	) Bolt, Carriage, .25-20 X 0.75	2
▲	29 200304017	(00000000-	) Washer, Flat, M6.4 X 13 X 1.6, Pl	2
▲	30 41169	(00000000-	) Nut, Hex, Lock, .25-20, NI, Ss	2
▲	31 07785	(00000000-	) Nut, Hex, Std, M6 X 1.0, A2, Ss	1
▲	32 1026454	(00000000-	) Screw, Pan, M5 X 0.8 X 10, Ss	4
▲	33 07514	(00000000-	) Washer, Lock, Int, #10, Ss	8
▲	34 578144000	(00000000-	) Screw, Pan, M5 X 0.8 X 16,Phl,Ss,Dn7985a	4
▲	35 578566	(00000000-	) Screw 4x30 Fltphl Ss	2
▲	36 33932	(00000000-	) Nut, Hex, Lock, M4 X 0.7, NI, Ss	2
▲	37 140885	(00000000-	) Screw, Trs, .25-20 X 0.50, Phl, Ss	2
▲	38 65582	(00000000-	)● Brush, Power Wand, W/ Fastener, Abr (Optional)	1

▽ ASSEMBLY

▲ INCLUDED IN ASSEMBLY

● RECOMMENDED STOCK ITEMS

POWER WAND HOSE GROUP



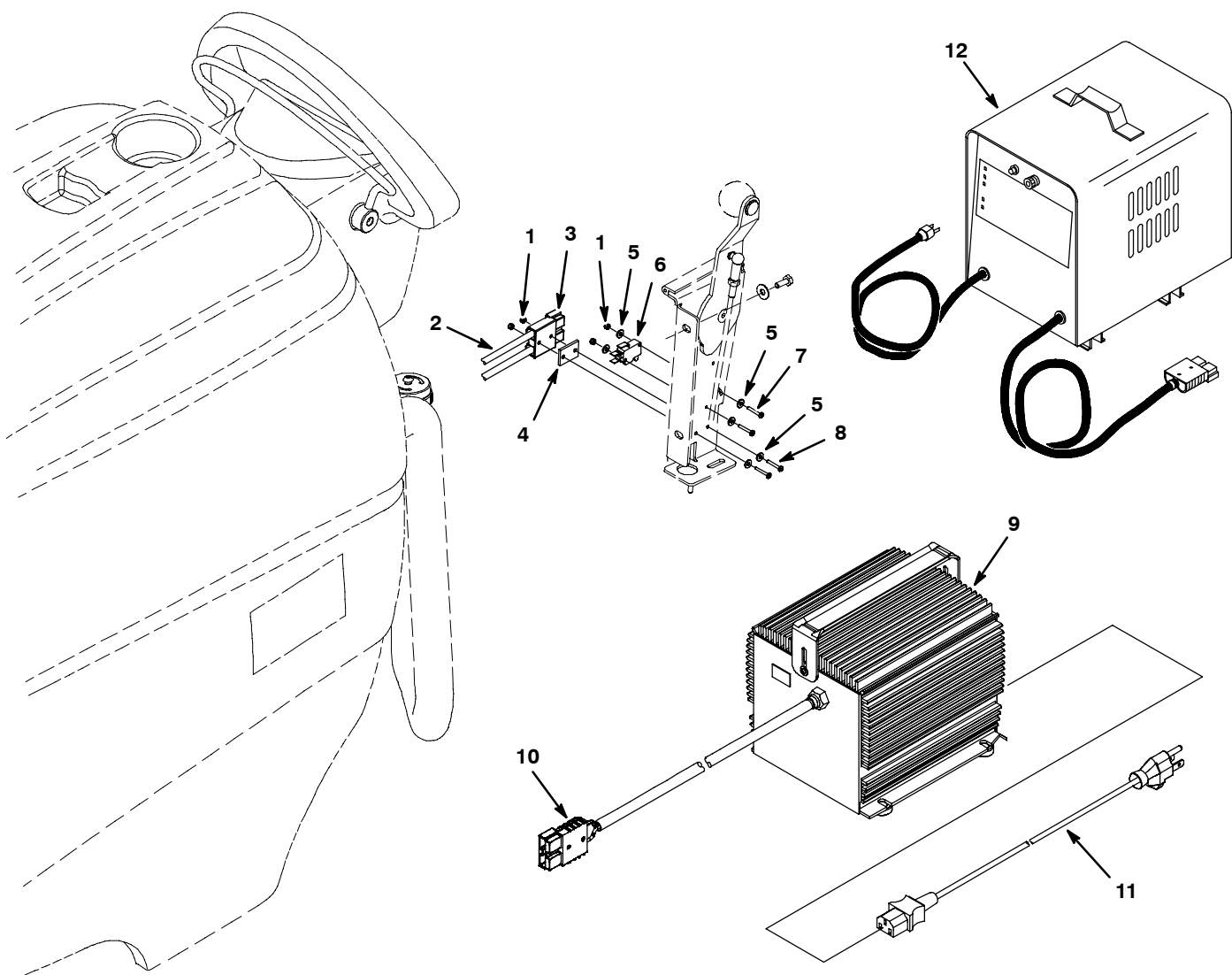
Ref.	Part No.	Serial Number	Description	Qty.
▽	65341	(00000000-	)● Hose Assy, Wand, Power	1
▲	1	578318000	(00000000-)● Fitting, Stl, Qdc, Bm04	1
▲	2	578160000	(00000000-) ) Clamp, Hose, Ear, 11-13mm, Ss	2
▲	3	578820000	(00000000-)● Hose, Pvc, 0.25id X 157l	1
▲	4	578072000	(00000000-)● Cuff, Swivel, 1.5 Blk	2
▲	5	578276000	(00000000-)● Hose, Vacuum, 1.5d X 10'L, Gray	1
▲	6	578071000	(00000000-)● Fitting, Brs, Qdc, Bm04/Pf04	1
	7	12694	(00000000-)● Fitting, Plstc, Str, Bm24/Bm24	1

▽ ASSEMBLY

▲ INCLUDED IN ASSEMBLY

● RECOMMENDED STOCK ITEMS

OFF-BOARD CHARGER GROUP



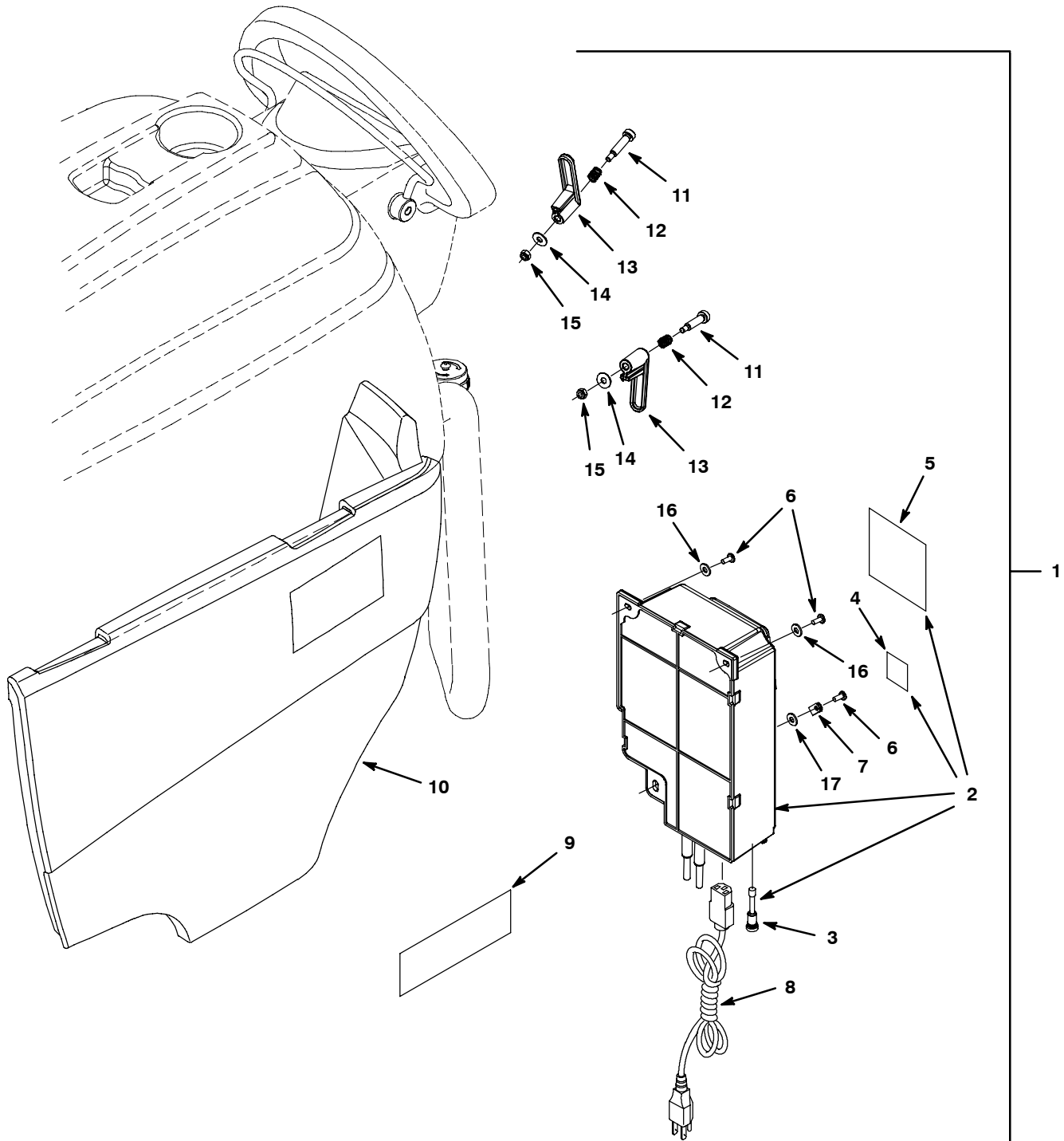
Ref.	Part No.	Serial Number	Description	Qty.
	1	579211	(00000000- ) Nut, Hex, Lock, M3 X .5, Ss	4
▽	2	1024514	(00000000- ) ● Harness, Chrgr	1
▲	3	605387	(00000000- ) ● Connector, 50a, Red W/O Contact[Anderson	1
	4	603331	(00000000- ) ) Spacer, Chrgr Plug	1
	5	41578	(00000000- ) ) Washer, Flat, #06, Ss	6
	6	611005	(00000000- ) ● Switch, Rlr, 16a, Micro	1
	7	06922	(00000000- ) ) Screw, Pan, M3 X 0.5 X 20, 4.8	2
	8	33933	(00000000- ) ● Screw, Pan, M3 X 0.5 X 25, Ss	2
▽	9	1029256	(00000000- ) ● Charger, 24vdc, 19a Var Vac 1ph 50/60hz	1
▲	10	605387	(00000000- ) ● Connector, Anderson, 50a,Red W/O Contact	1
	11	1017079	(00000000- ) ● Cord, Extn, 16ga /3, 010ft [Sjt]	1
	12	391992	(00000000- ) ● Charger (Japan)	1

▽ ASSEMBLY

▲ INCLUDED IN ASSEMBLY

● RECOMMENDED STOCK ITEMS

ON-BOARD CHARGER GROUP

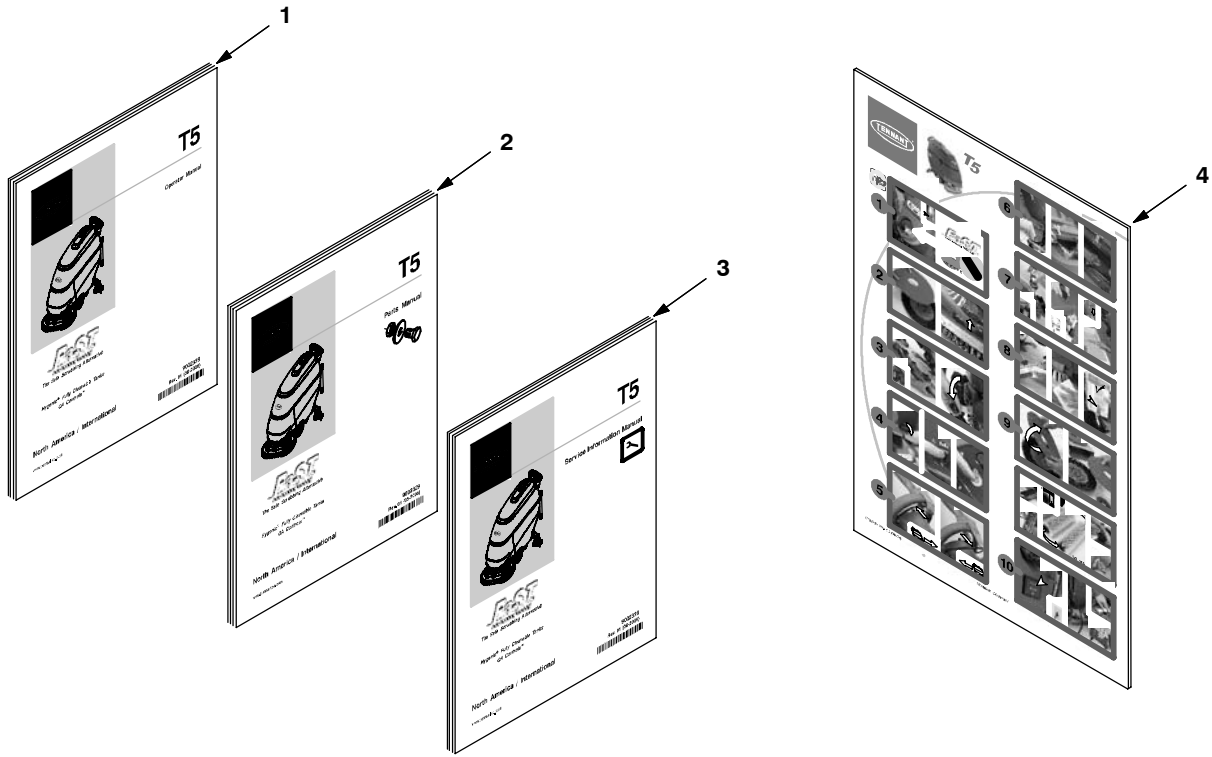


**ON-BOARD CHARGER GROUP**

Ref.	Part No.	Serial Number	Description	Qty.
1	9003295	(00000000-	)● Charger Kit, Battery, Ci [120v T5 Na]	1
1	9003770	(00000000-	)● Charger Kit, Battery, Ci [100v, T5 Jp]	1
1	9003296	(00000000-	)● Charger Kit, Batt, 230v, Fr/ [T5 Aust]	1
2	1038988	(00000000-	)● Charger, 120vac [Onboard]	1
2	1042809	(00000000-	)● Charger, 100vac [Onboard]	1
2	1042808	(00000000-	)● Charger, 230vac [Onboard, Export]	1
3	1030692	(00000000-	)● Vr, Fuse, Replmt, 15 Amp F/1022874	1
3	1030746	(00000000-	)● Vr, Fuse, 10a, F/1025146-1026909, Replmt	1
4	578768	(00000000-	) Label, Hzrd, [Hazardous Voltage] Txtls	1
5	1025158	(00000000-	) Label, Charger, Afmkt	1
6	578144000	(00000000-	) Screw, Pan, M5 X 0.80 X 16, Pozi, Ss	3
7	26395-2	(00000000-	) Clamp, Cable, Stl, 0.38d X 0.38w, 1h	1
8	1025642	(00000000-	)● Cord, Power, 16/3, 4.5 Meters, Blk [Us] (Na/Japan)	1
8	1026325	(00000000-	)● Cord, Power, 1.0mm2 X 2.5 Meters [Aus]	1
9	1028175	(00000000-	) Label, Instr [Charger Setting]	1
10	1022059	(00000000-	) Panel, Side, Rm-Tl, Lh, Trimmed, W/Chrgr	1
11	1024965	(00000000-	) Bolt, Shld, 8mmd X 30, M6x1.0	2
12	611311	(00000000-	) Spring, Cmpr, 10.9d, 1.1w, 12.7l Mw Zn	2
13	610906	(00000000-	)● Hook, Cord Viper	2
14	01684	(00000000-	) Washer, Flat, 0.27b 0.69d .05, Ss	2
15	08712	(00000000-	) Nut, Hex, Lock, M6 X 1.00, Ss, NI	2
16	01683	(00000000-	) Washer, Flat, 10, Ss	2
17	01684	(00000000-	) Washer, Flat, 0.27b 0.69d .05, Ss	1

● RECOMMENDED STOCK ITEMS

DOCUMENTATION GROUP



Ref.	Part No.	Serial Number	Description	Qty.
1	9002326	(00000000-	) Manual, Optr [T5, En]	1
1	9002327	(00000000-	) Manual, Optr [T5, Es]	1
1	9002328	(00000000-	) Manual, Optr [T5, Fr]	1
1	9002855	(00000000-	) Manual, Optr Jp [T5]	1
2	9002329	(00000000-	) Manual, Parts [T5]	1
3	9002333	(00000000-	) Manual, Service [T5]	1
4	9002330	(00000000-	) Instr, Use & Care Guide Txtls 11x17 [T5]	1