



Tidy-Vac™

Vacuum Cleaner · Aspirateur · Aspiradora

Models No.:

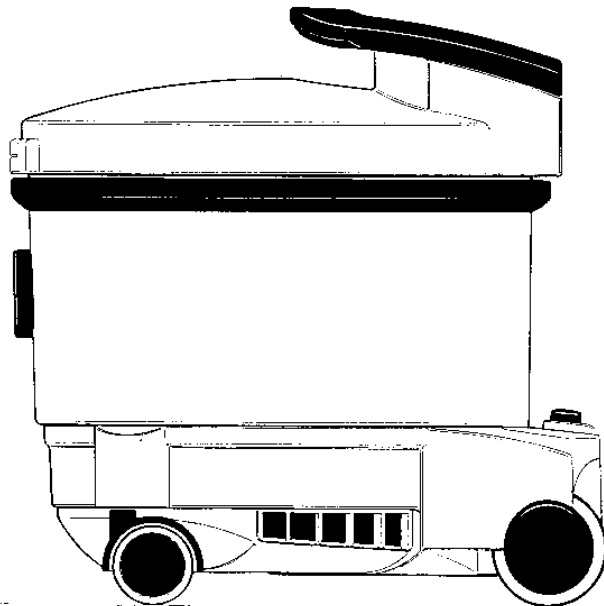
610784 with 1.25" Attachments

610785 with 1.5" Attachments

Operator and Parts Manual

**Mode d'Emploi et Liste des
pièces Détachées**

Manual de operador y piezas



NOBLES

12875 RANSOM STREET
HOLLAND MI 49424

1-800-365-6625
616-994-4000
FAX: 1-800-678-4240

611715
Rev. 03 (02-03)

Contents / Table des matières / Índice

(GB)		4
GB.1	INTRODUCTION	4
GB.2	SAFETY PRECAUTIONS	4
GB.3	MODIFICATIONS	5
GB.4	MACHINE COMPONENTS	5
GB.5	MACHINE INSTALLATION	5
GB.5.1	Machine contents	5
GB.5.2	Assembly of the suction hose, hand tubes and nozzle:	5
GB.6	MACHINE SETUP	5
GB.7	MACHINE OPERATION	5
GB.8	STORING MACHINE	6
GB.9	MAINTENANCE ADVICE	6
GB.9.1	Regular maintenance	6
GB.9.2	Replacement of Filters	6
GB.9.2.1	Paper filter bag	6
GB.9.2.2	Micro filter	7
GB.9.2.3	Exhaust filter	7
GB.9.3	Changing the power cord	7
GB.9.4	Spares and accessories	7
GB.10.	TROUBLE SHOOTING	7
(F)		8
F.1	INTRODUCTION	8
F.2	PRÉCAUTIONS DE SÉCURITÉ	8
F.3	MODIFICATIONS	9
F.4	COMPOSANTES DE L'APPAREIL	9
F.5	INSTALLATION DE L'APPAREIL	9
F.5.1	Contenu de l'appareil	9
F.5.2	Assembler le tuyau d'aspiration, les tuyaux rigides et l'embout :	10
F.6	PRÉPARATION DE L'APPAREIL	10
F.7	FONCTIONNEMENT DE L'APPAREIL	10
F.8	RANGEMENT DE L'ASPIRATEUR	10
F.9	CONSEILS POUR LA MAINTENANCE	10
F.9.1	Maintenance normale	10
F.9.2	Remplacement des filtres	10
F.9.2.1	Sacs filtre papier	10
F.9.2.2	Micro filter	11
F.9.2.3	Filtre d'aspiration	11
F.9.3	Remplacement du fil électrique	11
F.9.4	Pièces de rechange et accessoires	12
F.10	PANNES ET DÉPANNAGE	12
(SP)		13
SP.1	INTRODUCCIÓN	13
SP.2	PRECAUCIONES DE SEGURIDAD	13
	Instrucciones para la puesta a tierra	14
SP.3	MODIFICACIONES	14
SP.4	PIEZAS DE LA ASPIRADORA	14

SP.5	INSTALACIÓN DE LA MÁQUINA	14
SP.5.1	Contenido de la aspiradora	14
SP.5.2	Montaje del tubo flexible de aspiración, de los tubos manuales y de la tobera	15
SP.6	PREPARACIÓN DE LA ASPIRADORA	15
SP.7	USO DE LA ASPIRADORA	15
SP.8	GUARDAR LA ASPIRADORA	15
SP.9	AVISOS DE MANTENIMIENTO	15
SP.9.1	Mantenimiento periódico	15
SP.9.2	Sustitución de filtros	15
SP.9.2.1	Bolsa de filtro de papel	15
SP.9.2.2	Microfiltro	16
SP.9.2.3	Filtro de escape	16
SP.9.3	Cambio del cable de la red	16
SP.9.4	Repuestos y accesorios	16
SP.10	ELIMINACIÓN DE FALLAS	16
11	TECHNICAL DATA / DONNÉES TECHNIQUES / DATOS TÉCNICOS	18
12	PARTS LIST/ LISTE DES PIÈCES/ LISTA DE PIEZAS	18
13	BLOW UP DIAGRAM / ECLATÉ TECHNIQUE / DESPIECE	20
14	WIRING DIAGRAM/ SCHÉMA DE CÂBLAGE/ ESQUEMA DE CONDUCTORES	21

GB.1 INTRODUCTION

Your new Nobles Tidy-Vac Commercial Vacuum Cleaning Machine is designed for the professional daily maintenance of carpets. If the safety precautions and maintenance instructions are strictly adhered to, you will enjoy many years of trouble free operation. A provision is that this manual is carefully read and understood by all operators. In the unlikely event of technical defects or faults then please contact your nearest Tennant dealer.

GB.2 SAFETY PRECAUTIONS

The Nobles Tidy-Vac is designed for the vacuuming of non-explosive dusts. It is designed for commercial vacuum cleaning applications e.g. hospitals, hotels, schools, offices and factories.

All electrical parts are thoroughly secured and protected and can only be removed with the correct tools.

The following safety alert symbols are used throughout this manual as indicated in their description:



WARNING:

To warn of hazards or unsafe practices which could result in severe personal injury or death.

For safety:

To identify actions which must be followed for safe operation of equipment.

IMPORTANT SAFETY INSTRUCTIONS

WHEN USING AN ELECTRICAL APPLIANCE, BASIC PRECAUTIONS SHOULD ALWAYS BE FOLLOWED, INCLUDING THE FOLLOWING:

READ ALL INSTRUCTIONS BEFORE USING THIS APPLIANCE



WARNING:

To reduce the risk of fire, explosion, electrical shock, or injury:

1. DO NOT USE TO PICK UP FLAMMABLE OR COMBUSTIBLE MATERIAL, SUCH AS GASOLINE, OR USE IN AREAS WHERE THEY MAY BE PRESENT.
2. DO NOT LEAVE APPLIANCE WHEN PLUGGED IN. UNPLUG FROM OUTLET WHEN NOT IN USE AND BEFORE SERVICING.
3. WARNING – TO REDUCE THE RISK OF ELECTRIC SHOCK – DO NOT USE ON WET SURFACES OR OUTDOORS. DO NOT EXPOSE TO RAIN. STORE INDOORS.
4. DO NOT ALLOW TO BE USED AS A TOY. CLOSE ATTENTION IS NECESSARY WHEN USED BY OR NEAR CHILDREN.

5. USE ONLY AS DESCRIBED IN THIS MANUAL. USE ONLY MANUFACTURERS RECOMMENDED ATTACHMENTS.
6. DO NOT USE WITH DAMAGED CORD OR PLUG. IF APPLIANCE IS NOT WORKING AS IT SHOULD, HAS BEEN DROPPED, DAMAGED, LEFT OUTDOORS OR DROPPED INTO WATER, RETURN IT INTO A SERVICE CENTER.
7. DO NOT PULL OR CARRY BY CORD, USE CORD AS A HANDLE, CLOSE A DOOR ON CORD, OR PULL CORD AROUND SHARP EDGES OR CORNERS. DO NOT RUN APPLIANCE OVER CORD. KEEP CORD AWAY FROM HEATED SURFACES.
8. DO NOT UNPLUG BY PULLING ON CORD. TO UNPLUG, GRASP THE PLUG, NOT THE CORD.
9. DO NOT HANDLE PLUG OR APPLIANCE WITH WET HANDS.
10. DO NOT PUT ANY OBJECT INTO OPENINGS. DO NOT USE WITH ANY OPENING BLOCKED; KEEP FREE OF DUST, LINT, HAIR AND ANYTHING THAT MAY REDUCE AIR FLOW.
11. KEEP HAIR, LOOSE CLOTHING, FINGERS, AND ALL PARTS OF BODY AWAY FROM OPENINGS AND MOVING PARTS.
12. TURN OFF ALL CONTROLS BEFORE UNPLUGGING.
13. USE EXTRA CARE WHEN CLEANING ON STAIRS.
14. ALWAYS TURN OFF THIS APPLIANCE BEFORE CONNECTING OR DISCONNECTING MOTORIZED NOZZLE.
15. CONNECT TO A PROPERLY GROUNDED OUTLET ONLY. SEE GROUNDING INSTRUCTIONS.
16. DO NOT PICK UP ANYTHING THAT IS BURNING OR SMOKING, SUCH AS CIGARETTES, MATCHES OR HOT ASHES.
17. DO NOT USE WITHOUT FILTER CARTRIDGE AND PAPER FILTER BAG IN PLACE.
18. DO NOT USE FOR VACUUMING OF TOXIC MATERIAL.

SAVE THESE INSTRUCTIONS!

GROUNDING INSTRUCTIONS

This appliance must be grounded. If it should malfunction or breakdown, grounding provides a path of least resistance for electrical current to reduce the risk of electrical shock. This appliance is equipped with a cord having an equipment-grounding conductor and grounding plug. The plug must be inserted into an appropriate outlet that is properly installed and grounded in accordance with all local codes and ordinances.

WARNING – Improper connection of the equipment-grounding conductor can result in a risk of electrical shock. Check with a qualified electrician or service person if you are in doubt as to whether the outlet is properly grounded. Do not modify the plug provided with the appliance – if it will not fit the outlet, have a proper outlet installed by a qualified electrician.



WARNING:

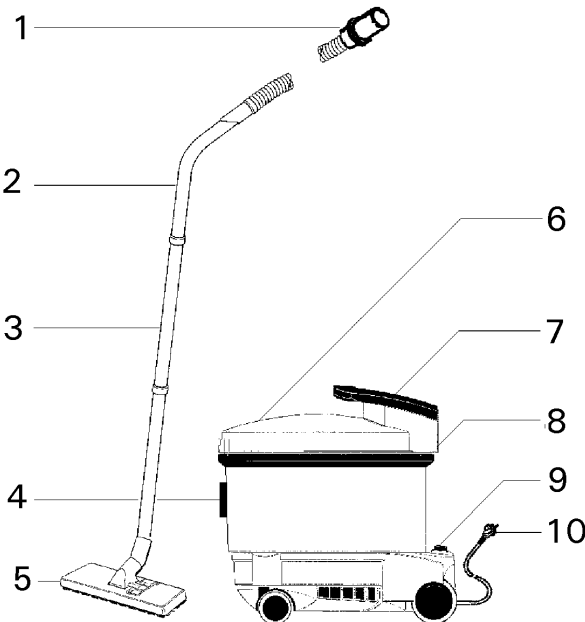
Hazardous Voltage. Shock or electrocution can result. Unplug machine before servicing.

GB.3 MODIFICATIONS

Note: We would like to point out that only original parts and accessories are to be used. Failure to adhere to these recommendations could result in machine failure and damage that will not be covered by the appliances warranty. Damaged equipment could also result in injury to persons.

The manufacturer, its distributors and agents cannot be held responsible at all for any damage or injury whatsoever, caused by the improper use of the appliance, unauthorized use, unauthorized modifications or non-original spares.

GB.4 MACHINE COMPONENTS



1	Hose connector
2	Bent tube
3	Hand tube
4	Tank coupling
5	Nozzle
6	Cover
7	Handle

8	Opening spring
9	On/ Off switch
10	Power supply cord

GB.5 MACHINE INSTALLATION

GB.5.1 Machine contents

Carefully check carton for signs of damage. Report damages to carrier immediately. Check machine contents to ensure carton is complete. Contact distributor for missing items.

Machine contents:

- Tank
- Cover with handle
- Filter cartridge (inside tank)
- Paper filter bag (inside tank)
- Exhaust filter (pre-installed)
- Hand tubes (two pieces)
- Bent tube
- Flexible suction hose
- Nozzle.

GB.5.2 Assembly of the suction hose, hand tubes and nozzle:



WARNING

Hazardous Voltage. Shock or electrocution can result. Unplug machine before servicing.

- Holding the rubber cuff of the suction hose coupling, insert it into the tank coupling and rotate it clockwise.
- Assemble the two hand tubes and bent tube by simply pushing them together. Now fit the nozzle to the lower end of the hand tubes and connect the end of the suction hose to the bent tube.

Note: *The length of the wand may be adjusted to suit the operator. Simply remove the bent tube, turn it around and reinsert it into the straight section.*

GB.6 MACHINE SETUP

Ensure that the paper filter bag and filter cartridge are in the tank of the machine and correctly positioned. Always ensure that filters are clean and that the suction hose, wand and nozzle are not blocked.

GB.7 MACHINE OPERATION

FOR SAFETY: Do not operate machine unless operator manual is read and understood.

- Connect the plug to the main supply and switch the machine on by depressing the ON/OFF switch.
- Begin vacuuming floor. Operate machine with a back and forth motion.
- Taking off wand and floor nozzle, the end of the flexible tube can be used as a upholstery tool or crevice nozzle.
- To stop vacuuming, switch the machine off by depressing the ON/OFF switch.
- Disconnect the plug from the main supply wall socket. Do not pull on the cord as it may be damaged.
- Always wind up the cord and hang it on the handle/cord hanger on the top cover of the machine.



WARNING:

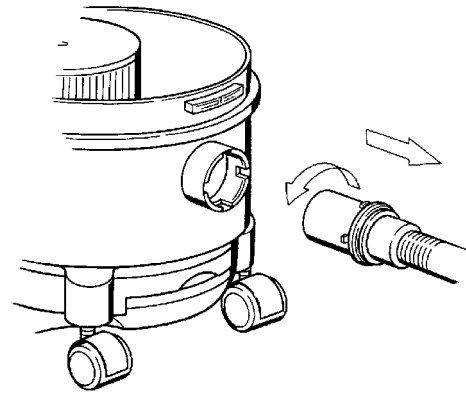
Do not use to pick up flammable or combustible material or use in areas where they may be present.

GB.8 STORING MACHINE

When machine not in use, cord should be wound around handle on lid and kept away from moving or hot parts. Store machine in a dry area.

Attention:

Do not expose to rain. Store indoors.
Keep out of the reach of children.



- Firstly hold the coupling of the suction hose, rotate this anti-clockwise and remove the coupling from the tank connector.

GB.9 MAINTENANCE ADVICE

GB.9.1 Regular maintenance



WARNING

Always disconnect the plug from the main supply before commencing any cleaning or maintenance of the machine. Always refer to the manufacturers technical data and instructions when replacing any parts.

Regular maintenance has 4 stages:

Daily inspection:

- Visually inspect machine for any damaged parts, damaged cords or electrical connections and
- Check that the paper filter bag is neither full nor damaged.

Monthly maintenance:

- Check the brush strips on the floor nozzle - if worn out these should be changed.
- Check the cartridge filter - should it be cleaned or replaced?

6 month maintenance:

- Change the exhaust filter.

Annual check up:

- Clean the cord and inspect for damaged insulation.
- Clean and lubricate the wheels and castors.
- Check all machine functions.

GB.9.2 Replacement of Filters

Note: Please use only original Tennant filters and take note of the instructions on the filter or filter pack! Spare filters can be purchased from your Tennant distributor. Please note that only genuine Tennant filters are guaranteed to give a constant high filter performance.



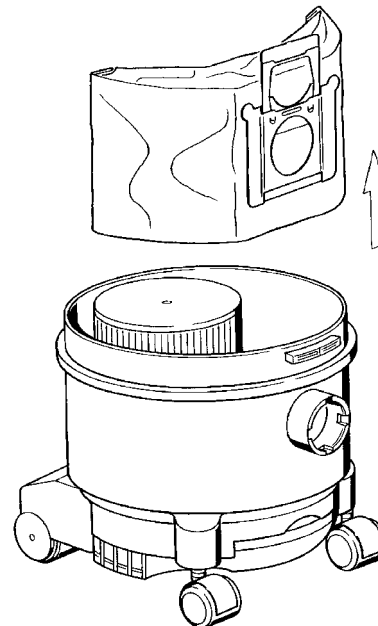
WARNING

Hazardous Voltage. Shock or electrocution can result. Unplug machine before servicing.

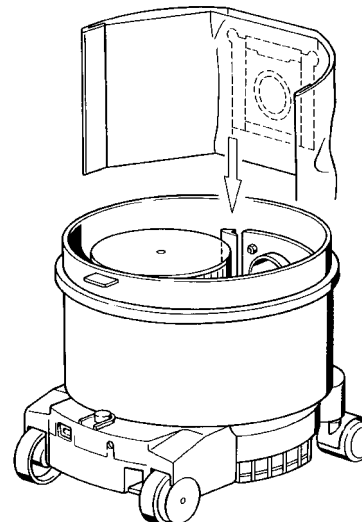
For every maintenance operation not included in the above, the user has to contact an authorised service representative.

GB.9.2.1 Paper filter bag

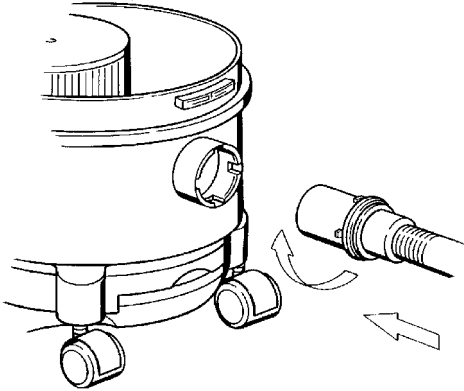
- Please take note of the information printed on each original paper filter bag - it will assist you when changing the bag.



- Hold onto the tab of the filter bag closing flange and gently pull upwards. This will automatically close the flange (preventing any dust from escaping) and the bag will slide upwards and out of the tank



- The new paper filter bag may now be installed. Simply locate the cardboard edges of the paper bag mounting plate into the locating grooves in the tank and slide the bag down into position.



- The suction hose coupling may now be reinserted into the tank socket - insert the coupling and lock into position by rotating clockwise.

The micro filter is secured in position above the motor by means of a simple press fitting. Two recesses, in the motor hood, below the cartridge filter, on the left and right sides, allow you to insert the middle fingers of both the left and right hands and gently pull upwards on the underside of the cartridge filter. To replace the new or cleaned cartridge simply push it gently downwards onto the mounting ring.

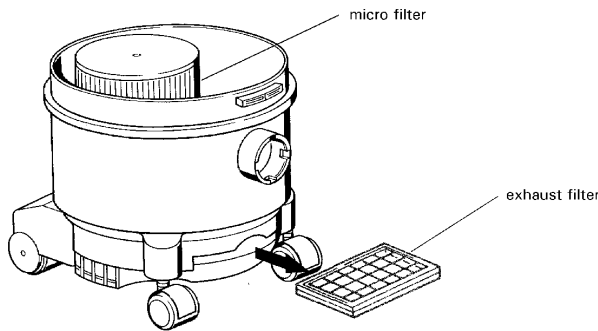
GB.9.2.3 Exhaust filter

The exhaust filter is designed to primarily filter the carbon dust from the carbon brushes of the motor. It is situated on the front of the machine, in the chassis, under the tank socket. Pull the filter outwards by firmly holding onto the black plastic tab/handle. Open the filter frame which now exposes the filter fleece. Replace the fleece, close the frame and reinsert it into the machine. The exhaust filter should be changed at least every six months.

GB.9.3 Changing the power cord

- A damaged cord can be easily replaced. After disconnecting the plug from the main power supply, turn the machine over to expose the chassis. Slide the plug retaining clip forwards and flip upwards to expose the plug. Remove the old plug with cord and reinsert the new plug with cord. Flip the retaining clip down and slide it back. A click will be heard once it is in position.

GB.9.2.2 Micro filter



FOR SAFETY: When servicing machine, unplug cord from wall outlet. Use manufacturer supplied or approved replacement parts.

GB.9.4 Spares and accessories

Should you require spares, accessories or consumables, please contact your distributor.

GB.10. TROUBLE SHOOTING

PROBLEM	CAUSE	SOLUTION
Machine does not operate	Faulty power cord.	Change power cord.
	Faulty On/Off switch.	Contact Service Center.
	Loose wiring.	Contact Service Center.
	Building circuit breaker tripped.	Reset circuit breaker.
	Internal thermal overload sensor tripped.	Disconnect the cord from the main supply for at least 20 minutes. Remove air obstruction. Motor will restart when the temperature has cooled down.
	Worn carbon brushes in vacuum motor.	Contact Service Center
Poor vacuum performance	Defective vacuum motor.	Contact Service Center
	Full bag.	Replace bag.
	Clogged cartridge filter.	Replace secondary filter.
	Loose vacuum hose connections.	Tighten hose connections.
	Defective vacuum hose.	Replace hose.
	Tank lid not closed tightly.	Close lid.
	Clogged hose.	Remove clogged material.
Poor brush pick-up.	Clogged tank coupling.	Remove clogged material.
	Entangled debris in brush.	Remove clogged material.
	Worn brushes.	Replace brush strips.
	Worn nozzle wheels.	Replace wheels.

F.1 INTRODUCTION

Votre nouvelle machine de nettoyage commerciale Nobles Tidy-Vac est destinée à la maintenance industrielle quotidienne des tapis et moquettes. Si vous respectez toutes les précautions de sécurité et les instructions de maintenance, cet appareil vous assurera pendant de longues années un fonctionnement parfait. L'utilisateur doit impérativement lire attentivement et bien comprendre tout le contenu de ce mode d'emploi. Si malgré tous nos contrôles vous deviez constater un défaut technique ou une panne, veuillez contacter votre revendeur Tennant le plus proche.

F.2 PRECAUTIONS DE SECURITE

Le Tidy-Vac est destiné à l'aspiration de poussières non explosives. Il est prévu pour une utilisation industrielle, par ex. dans des hôpitaux, hôtels, écoles, bureaux et usines.

Toutes les pièces électriques sont soigneusement protégées et peuvent être démontées uniquement à l'aide des outils prévus à cet effet.

Vous trouverez ci-dessous l'explication des symboles d'avertissement qui sont utilisés dans ce mode d'emploi.



AVERTISSEMENT :

Avertit des dangers ou des utilisations risquées qui peuvent entraîner des blessures graves ou la mort.

ATTENTION:

Indique la marche à suivre pour une utilisation de l'équipement en toute sécurité.

IMPORTANT MESURES DE SECURITE

L'UTILISATION D'UN APPAREIL ELECTRIQUE DEMANDE CERTAINES PRECAUTIONS:

Lire toutes les instructions avant de faire fonctionner cet appareil



AVERTISSEMENT :

Pour réduire les risques d'incendie, l'explosion, de choc électrique ou de blessure :

1. NE PAS ASPIRER DES LIQUIDES INFLAMMABLES OU COMBUSTIBLES, COMME DE L'ESSENCE, ET NE PAS FAIRE FONCTIONNER DANS DES ENDROITS OU PEUVENT SE TROUVER DE TELS LIQUIDES.
2. NE PAS LAISSER L'APPAREIL SANS SURVEILLANCE LORSQU'IL EST BRANCHE. DEBRANCHER LORSQUE L'APPAREIL N'EST PAS UTILISE ET AVANT L'ENTRETIEN.
3. AVERTISSEMENT. POUR REDUIRE LES RISQUES DE CHOC ELECTRIQUE, NE PAS ASPIRER DES MATIERES HUMIDES, NE PAS EXPOSER A LA PLUIE ET RANGER

- L'ASPIRATEUR A L'INTERIEUR.
4. NE PAS PERMETTRE AUX ENFANTS DE JOUER AVEC L'APPAREIL. UNE ATTENTION PARTICULIERE EST NECESSAIRE LORSQUE L'APPAREIL EST UTILISE PAR DES ENFANTS OU A PROXIMITE DES CES DERNIERS.
 5. N'UTILISER QUE CONFORMEMENT A CETTE NOTICE AVEC LES ACCESSOIRES RECOMMANDES PAR LE FABRICANT.
 6. NE PAS UTILISER SI LE CORDON OU LA FICHE EST ENDOMMAGE. RETOURNER L'APPAREIL A UN ATELIER DE REPARATION S'IL NE FONCTIONNE PAS BIEN, S'IL EST TOMBE OU S'IL A ETE ENDOMMAGE, OUBLIE A L'EXTERIEUR OU IMMERGE.
 7. NE PAS TIRER SOULEVER NI TRAINER L'APPAREIL PAR LE CORDON. NE PAS UTILISER LE CORDON COMME UNE POIGNEE, LE COINCER DANS L'EMBRASURE D'UNE PORTE OU L'APPUYER CONTRE DES ARETES VIVES OU DES COINS. NE PAS FAIRE ROULER L'APPAREIL SUR LE CORDON. GARDER LE CORDON A L'ECART DES SURFACES CHAUDES.
 8. NE PAS DEBRANCHER EN TIRANT SUR LE CORDON. TIRER PLUTOT LA FICHE.
 9. NE PAS TOUCHER LA FICHE NI APPAREIL LORSQUE VOS MAINS SONT HUMIDES.
 10. N'INSERER AUCUN OBJET DANS LES OUVERTURES. NE PAS UTILISER L'APPAREIL LORSQU'UNE OUVERTURE EST BLOQUEE. S'ASSURER QUE DE LA POUSSIERE, DE LA PELUCHE, DES CHEVEUX OU D'AUTRES MATIERES NE REDUISENT PAS LE DEBIT D'AIR.
 11. MAINTENIR LES CHEVEUX, LES VETEMENTS AMPLES, LES DOIGTS ET TOUTES LES PARTIES DU CORPS A L'ECART DES OUVERTURES ET DES PIECES MOBILES.
 12. METTRE TOUTES LES COMMANDES A LA POSITION ARRÊT AVANT DE DEBRANCHER L'APPAREIL.
 13. USER DE PRUDENCE LORS DU NETTOYAGE DES ESCALIERS.
 14. TOUJOURS METTRE L'INTERRUPTEUR DE L'APPAREIL A LA POSITION ARRÊT AVANT DE BRANCHER OU DE DEBRANCHER LA BROUSSE A MOTEUR.
 15. NE BRANCHER QU'A UNE PRISE DE COURANT AVEC MISE A LA TERRE. VOIR LES INSTRUCTION VISANT LA MISE A LA TERRE.
 16. NE PAS ASPIRER DES MATIERES EN COMBUSTION OU QUI DEGAGENT DE LA FUMEE, COMME DES CIGARETTES, DES ALLUMETTES OU DES CENDRES CHAUDES.
 17. NE PAS UTILISER L'APPAREIL SI LE SAC A POUSSIERE OU LE FILTRE N'EST PAS EN PLACE.
 18. POUR L'ASPIRATION DE POUSSIERE TOXIQUES.

CONSERVER CES INSTRUCTIONS

Instructions visant la mise à la terre

Cet appareil doit être mis à terre. En cas de défaillance ou de panne, la mise à la terre fournit au courant un chemin de moindre résistance qui réduit le risque de choc électrique. Cet appareil est pourvu d'un cordon muni d'un conducteur de terre et d'une fiche avec broche de terre. La fiche doit être branchée dans une prise appropriée correctement installée et mise à la terre conformément aux règlements et ordonnances municipaux.

AVERTISSEMENT. Un conducteur de terre mal raccordé peut entraîner un risque de choc électrique. Consulter un électricien ou un technicien d'entretien qualifié si vous n'êtes pas certain que la prise est correctement mise à la terre. Ne pas modifier la fiche fournie avec l'appareil – si elle ne peut être insérée dans la prise, faire installer une prise adéquate par un électricien qualifié.



AVERTISSEMENT :

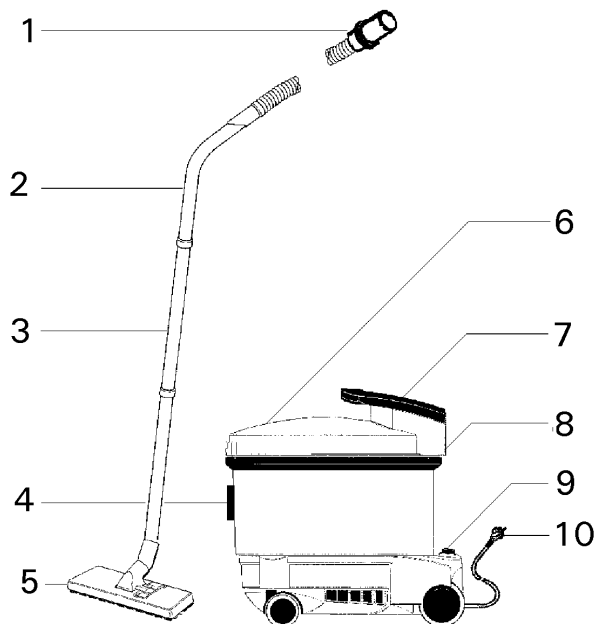
Voltage dangereux pouvant entraîner chocs électriques ou électrocution. Débrancher l'appareil avant toute maintenance.

F.3 MODIFICATIONS

Attention: Nous attirons votre attention sur la nécessité d'utiliser uniquement des pièces et accessoires d'origine. Le défaut de respect de ces recommandations peut provoquer sur l'appareil des pannes et des dommages qui ne seront pas couverts par la garantie. Un équipement défectueux peut également causer des blessures aux personnes.

Le fabricant, ses distributeurs et agents ne peuvent être tenus responsables d'aucun dommage ou blessure dû à une utilisation incorrecte de l'appareil, à un usage non approprié, à des modifications faites sans autorisation ou à des pièces de rechange non originales.

F.4 COMPOSANTES DE L'APPAREIL



1	Connexion tuyau
2	Coude
3	Manche
4	Raccordement cuve
5	Embout
6	Couvercle
7	Poignée
8	Ressort
9	Interrupteur
10	Fil électrique

F.5 INSTALLATION DE L'APPAREIL

F.5.1 Contenu de l'appareil

Vérifier soigneusement l'emballage. En cas de signes apparents de dommages sur le carton, avertissez immédiatement le transporteur. Vérifiez le contenu du carton afin de vous assurer que l'aspirateur est complet. Contactez votre distributeur s'il manque des accessoires.

L'appareil se compose de :

- Cuve
- Couvercle avec poignée
- Cartouche filtre (à l'intérieur de la cuve)
- Sac filtre papier (à l'intérieur de la cuve)
- Filtre d'aspiration (prémonté)
- Tube rigide (deux parties)
- Coude
- Tuyau d'aspiration souple
- Embout.

F.5.2 Assembler le tuyau d'aspiration, les tuyaux rigides et l'embout :



AVERTISSEMENT

Voltage dangereux pouvant entraîner chocs électriques ou électrocution. Débrancher l'appareil avant toute maintenance.

- Tenir le raccord en caoutchouc du tuyau d'aspiration et l'engager dans le raccord de branchement de la cuve, tourner ensuite dans le sens des aiguilles d'une montre.
- Assembler les deux parties du tube rigide en les poussant l'une dans l'autre. Placer ensuite l'embout sur la partie inférieure du tuyau et relier le tuyau souple d'aspiration au coude du tuyau rigide.

Attention: La longueur du manche est réglable selon la taille de l'utilisateur. Il suffit de démonter le coude et de le régler en tournant puis de le remettre en place sur la section droite.

F.6 PREPARATION DE L'APPAREIL

Vérifier que le sac filtre en papier et la cartouche filtre sont bien en place dans la cuve de l'aspirateur est correctement positionné. Vérifier toujours que les filtres sont propres et que le manche et l'embout sont bien fixés.

F.7 FONCTIONNEMENT DE L'APPAREIL

Bien lire et comprendre les **PRÉCAUTIONS DE SÉCURITÉ** avant toute utilisation de l'appareil.

- Brancher la fiche dans la prise de courant d'alimentation et mettre l'aspirateur en marche en appuyant sur l'interrupteur de MARCHE / ARRÊT (ON/OFF).
- Commencez à passer l'aspirateur. Faire un mouvement de va et vient avec l'appareil.
- Après avoir enlevé le manche et l'embout vous pouvez utiliser le tuyau flexible pour les tissus d'ameublement ou les rainures.
- Pour arrêter l'aspirateur, couper l'alimentation en appuyant sur l'interrupteur ON/OFF.
- Débranchez l'alimentation électrique en enlevant la fiche de la prise murale. Ne pas tirer sur le fil pour ne pas l'endommager.
- Enroulez toujours le fil et accrochez-le au support de poignée/fil placé sur le couvercle de l'appareil.



AVERTISSEMENT

No use la maquina para recoger liquidos inflamables o combustibles, como gasolina ; tampoco la use en areas en donde haya tales sustancias.

F.8 RANGEMENT DE L'ASPIRATEUR

Quand la machine n'est pas en emploi le fil électrique soit enroulé autour de l'anse du couvercle et soit tenu éloigné des parties mobiles et chaudes.
Ranger l'aspirateur dans un endroit sec.

Avertissement:
Ne pas l'exposer à la pluie. Ranger à l'intérieur.
Ne pas laisser à la portée des enfants.

F.9 CONSEILS POUR LA MAINTENANCE

F.9.1 Maintenance normale



AVERTISSEMENT

Pour éviter tout danger lié au courant électrique, débrancher la fiche d'alimentation avant de commencer le nettoyage ou la maintenance de l'appareil. Toujours se reporter aux données techniques du constructeur et suivre ses instructions pour le remplacement de toute pièce.

La maintenance normale se divise en 4 étapes :

Contrôle quotidien :

- inspection visuelle de l'appareil pour rechercher tout dommage sur une pièce, le fil ou les connexions électriques et
- Vérification de l'état du sac filtre en papier qui ne doit être ni plein, ni endommagé.

Maintenance mensuelle :

- Vérifier l'état des garnitures de la brosse de l'embout et les remplacer si elles sont abîmées.
- Vérifier la cartouche filtre - nettoyer ou remplacer le cas échéant.

Maintenance tous les 6 mois

- Changer le filtre d'aspiration.

Vérification annuelle :

- Nettoyer le fil et vérifier le bon état de son isolation.
- Nettoyer et lubrifier les roulettes et leur axes.
- Vérifier toutes les fonctions de l'appareil.



AVERTISSEMENT

Voltage dangereux pouvant entraîner chocs électriques ou électrocution. Débrancher l'appareil avant toute maintenance.

Pour chaque entretien qui n'est pas enclue au susmentionné l'utilisateur est obligé de contacter un représentant de service autorisé.

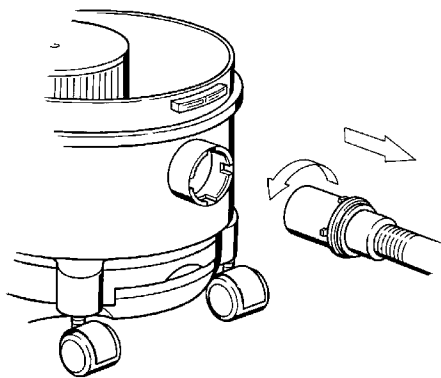
F.9.2 Remplacement des filtres

Attention: Utiliser uniquement des filtres originaux
Tennant respecter les instructions qui figurent sur le filtre ou sa cartouche !

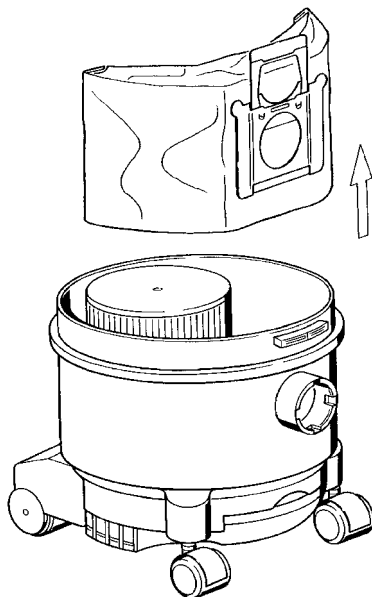
Vous pouvez vous procurer des filtres de rechange auprès de votre distributeur Tennant. N'oubliez pas que seuls les filtres Tennant vous garantissent une filtration constante et optimale.

F.9.2.1 Sacs filtre papier

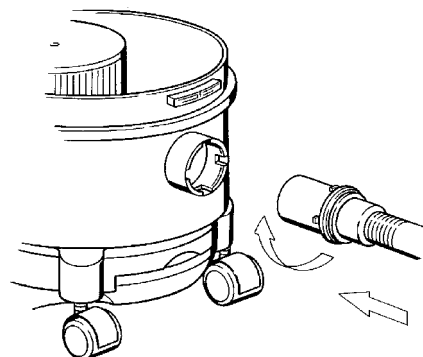
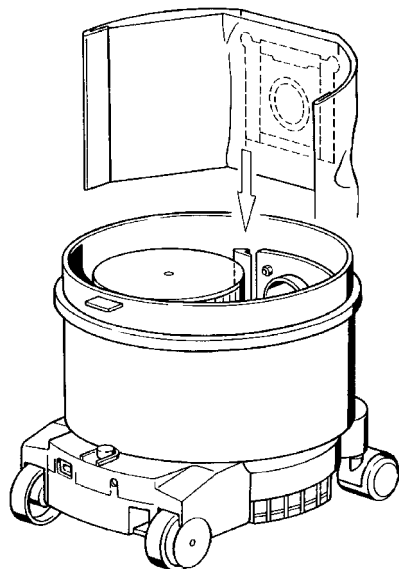
- Bien lire les informations imprimées sur chaque sac filtre papier original - cela vous aidera pour le changement de ce sac.



- Tenir le raccord de branchement du tuyau d'aspiration et le faire tourner dans le sens inverse des aiguilles d'une montre pour le démonter de la cuve.

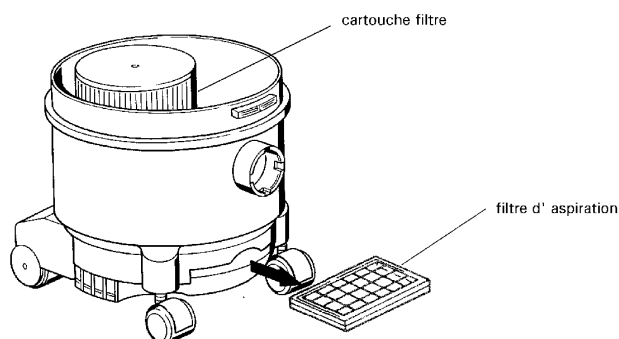


- Positionner le sac filtre sur l'attache de la bride de fermeture et tirer doucement vers le haut. La bride se referme ainsi automatiquement (empêche toute fuite de poussières), soulever le sac et le sortir de la cuve



- Vous pouvez maintenant remettre en place le raccord du tuyau sur la cuve - enfoncer le raccord et le bloquer en position en tournant dans le sens des aiguilles d'une montre.

F.9.2.2 Micro filter



Le microfiltre est maintenu en position au-dessus du moteur par un simple montage à pression. Deux encoches dans le capot du moteur au-dessous de la cartouche filtre, vous permettent d'enfiler un doigt de chaque côté pour tirer la partie supérieure de la cartouche filtre vers le haut. Pour placer une nouvelle cartouche ou une cartouche nettoyée, il suffit de pousser doucement vers le bas en appuyant sur la bague de montage.

F.9.2.3 Filtre d'aspiration

Le filtre d'aspiration est destiné à une filtration primaire de la poussière de charbon des balais du moteur; Il est placé à l'avant de l'appareil, sur le carter au-dessous de la base de la cuve. Pour retirer le filtre, tirer vers l'extérieur en tenant fermement la patte de la poignée en plastique noir. Ouvrir la cassette du filtre pour accéder à son tambour. Remplacer le tambour, fermer la cassette et le replacer sur l'appareil.

Le filtre d'aspiration doit être changé tous les six mois.

F.9.3 Remplacement du fil électrique

- Il est facile de changer le fil. Après avoir débranché l'appareil de sa prise électrique, retourner l'aspirateur pour voir le châssis. Faire glisser les clips qui maintiennent la prise et les ouvrir pour accéder à la prise. Enlever l'ancienne prise avec son fil et remplacer par le nouvelle prise et son fil. Rabattre les clips de fixation et faire glisser vers l'arrière. On entend un déclic quand elle est en position.

Attention: POUR VOTRE SÉCURITÉ : Débrancher l'appareil de la prise électrique avant de procéder à sa maintenance. Utiliser uniquement des pièces de rechanges fournies ou autorisées par le fabricant.

F.9.4 Pièces de rechange et accessoires

Si vous avez besoin de pièces de rechange, d'accessoires ou de consommables, contactez votre distributeur.

F.10 PANNES ET DEPANNAGE

PROBLEME	CAUSE	SOLUTION
L'appareil ne fonctionne pas	Fil électrique défectueux.	Remplacer le fil.
	Interrupteur de marche/arrêt défectueux.	Contacteur le SAV.
	Câblage mal serré.	Contacteur le SAV.
	Déclenchement du coupe circuit intégré.	Remettre le coupe-circuit à zéro.
	Déclenchement du détecteur de surcharge thermique.	Débrancher la fiche d'alimentation. Enlevez de l'obstruction de l'air. Le moteur va démarrer soi-même dans 20 minutes après que la température ait rafraîchie.
	Les balais des charbons du moteur sont usés.	Contacteur le SAV
L'aspiration est mauvaise	Moteur d'aspiration défectueux.	Contacteur le SAV
	Sac plein.	Remplacer le sac.
	Cartouche filtre obstrué.	Remplacer le filtre secondaire
	Branchement du tuyau d'aspiration mal serré.	Resserrer les branchements du tuyau.
	Tuyau d'aspiration défectueux.	Remplacer le tuyau.
	Couvercle de cuve mal fermé.	Fermer le couvercle
	Tuyau obstrué.	Enlever le matériel obstrué.
Raccord de cuve obstrué.	Enlever le matériel obstrué.	
La brosse manque d'efficacité.	Déchets coincés dans les poils de la brosse.	Enlever le matériel obstrué.
	Brosse usée.	Changer les garnitures de brosse endommagées.
	Roulettes de l'embout usées.	Remplacer les roulettes.

SP.1 INTRODUCCION

Su nueva máquina de limpieza comercial Nobles Tidy-Vac ha sido concebida para la limpieza diaria y profesional de alfombras y moquetas. Si se respetan minuciosamente las precauciones de seguridad y las instrucciones de mantenimiento, podrá contar con muchos años de funcionamiento libre de averías. Ello exige, no obstante, que este manual sea leído atentamente y entendido por todos los operadores. En el caso poco probable de fallas o defectos técnicos, debe ponerse en contacto con su concesionario Tennant más cercano.

SP.2 PRECAUCIONES DE SEGURIDAD

La aspiradora Tidy-Vac ha sido concebida para aspirar polvos no explosivos. Está destinada a la aspiración comercial, por ejemplo en hospitales, hoteles, escuelas, oficinas y fábricas.

Todas las piezas eléctricas han sido aseguradas y protegidas ampliamente, pudiendo ser extraídas sólo con herramientas adecuadas.

En este manual se emplean los siguientes símbolos de advertencia de seguridad conforme a lo descrito a continuación:



ADVERTENCIA:

para advertir sobre peligros o prácticas poco seguras que podrían provocar heridas graves o incluso la muerte.

Para su seguridad:

para identificar medidas que han de tomarse para un funcionamiento seguro del equipo.

ADVERTENCIA: Instrucciones importantes de seguridad. Lea todas las instrucciones antes de usar la aspiradora.

INSTRUCCIONES IMPORTANTES DE SEGURIDAD

AL USAR ARTEFACTOS ELECTRICOS HAN TOMARSE LAS PRECAUCIONES BASICAS Y PRESTAR ATENCION A LO SIGUIENTE:

LEA TODAS LAS INSTRUCCIONES ANTES DE UTILIZAR ESTA MÁQUINA



ADVERTENCIA:

Para reducir el riesgo de incendio, explosión, choque eléctrico, o lesiones:

1. NO USE LA MÁQUINA PARA RECOGER LÍQUIDOS INFLAMABLES O COMBUSTIBLES, COMO GASOLINA; TAMPOCO LA USE EN ÁREAS EN DONDE HAYA TALES SUSTANCIAS.
2. NO DEJE LA MÁQUINA CUANDO ESTÉ ENCHUFADA. DESENCHÚFELA CUANDO NO LA USE Y ENCHÚFELA

3. ANTES DE REPARARLA. ADVERTENCIA – A FIN DE REDUCIR LOS RIESGOS DE ELECTROCUTARSE, NO USE LA MÁQUINA AL AIRE LIBRE NI EN SUPERFICIES MOJADAS.
4. NO PERMITA QUE LOS NIÑOS EMPLEEN LA MÁQUINA COMO JUGUETE. PRESTE SUMA ATENCIÓN CUANDO LA UTILICE EN COMPAÑÍA DE NIÑOS O CERCA DE ELLOS.
5. ÚSELA SOLAMENTE CONFORME A LAS INSTRUCCIONES CONTENIDAS EN ESTE MANUAL. EMPLEE ÚNICAMENTE LOS ANEXOS RECOMENDADOS POR EL FABRICANTE.
6. NO USE LA MÁQUINA SI TIENE EL CABLE DAÑADO O SI EL ENCHUFE ESTÁ ESTROPEADO. HAY QUE DEVOLVER LA MÁQUINA AL CENTRO DE SERVICIO SI NO FUNCIONA DEBIDAMENTE O PORQUE SUFRIÓ UN GOLPE AL CAERSE, O SE DAÑÓ, O FUE DEJADA AL AIRE LIBRE O SE CAYÓ EN EL AGUA.
7. NO TIRE DE LA MÁQUINA NI LA TRANSPORTE POR EL CABLE. NO USE EL CABLE PARA MANIOBRARLA. NO CIERRE LA PUERTA ENCIMA DEL CABLE. NO TIRE DEL CABLE ALREDEDOR DE BORDES EMPINADOS Y RINCONES ESTRECHOS. NO PERMITA QUE LA MÁQUINA CORRA POR ENCIMA DEL CABLE. MANTENGA EL CABLE ALEJADO DE SUPERFICIES CALIENTES.
8. NO DESENCHUFE LA MÁQUINA TIRANDO DEL CABLE. PARA DESCONECTARLA, RETÍRELA CON LA MANO DE LA TOMA DE CORRIENTE PERO NO JALANDO EL CABLE.
9. NO MANIPULE EL ENCHUFE NI LA MÁQUINA CUANDO TENGA LAS MANOS MOJADAS.
10. NO PONGA NINGÚN TIPO DE OBJETO EN LAS ABERTURAS. NO USE LA MÁQUINA SI ALGUNA DE LAS ABERTURAS ESTÁ BLOQUEADA. MANTENGA LA MÁQUINA EXENTA DE POLVO, PELUSAS, CABELLO Y CUALQUIER OTRA COSA QUE PUEDA REDUCIR EL FLUJO DE AIRE.
11. MANTENGA EL CABELLO, LA ROPA HOLGADA, LOS DEDOS Y TODAS LAS PARTES CORPORALES ALEJADOS DE LAS ABERTURAS Y PIEZAS MOVILES.
12. DESCONECTE TODOS LOS CONTROLES ANTES DE DESENCHUFAR LA MÁQUINA.
13. OBRE CON SUMA PRECAUCIÓN CUANDO LIMPIE ESCALERAS.
14. DESCONECTE SIEMPRE LA MÁQUINA ANTES DE CONECTAR O DESCONECTAR LA TOBERA MOTORIZADA.
15. CONECTE LA MÁQUINA SÓLO EN UNA TOMA DE CORRIENTE PUESTA A TIERRA CORRECTAMENTE. LEA LAS INSTRUCCIONES RELATIVAS A LA PUESTA A TIERRA.
16. NO RECOJA NADA CON LA MÁQUINA QUE ESTÉ ARDIENDO O ECHANDO HUMO, COMO CIGARRILLOS, CERILLAS O CENIZAS CALIENTES.
17. NO USE LA MÁQUINA SIN QUE EL CARTUCHO Y LA BOLSA DE PAPEL FILTRANTES ESTEN EN SU SITIO.
18. NO USE LA MÁQUINA PARA ASPIRAR POLVOS TÓXICOS.

GUARDE ESTAS INSTRUCCIONES

Instrucciones para la puesta a tierra

Es indispensable enchufar esta máquina en una toma que esté puesta a tierra. En caso de que la máquina funcionase mal o se averiase, la puesta a tierra procionará una ruta de menor resistencia a la corriente eléctrica a fin de disminuir el riesgo de electrocución. Esta máquina está equipada con un cable con un conductor y un enchufe puestos a tierra. El enchufe ha de insertarse en una toma de corriente apropiada, instalada correctamente y puesta a tierra de conformidad con todas las prescripciones y ordenanzas de la localidad.

ADVERTENCIA –Una conexión impropia del conductor de puesta a tierra del equipo puede causar electrocución. Consulte a un electricista calificado o al Centro de Servicio si usted no está seguro de que la toma de corriente está puesta a tierra debidamente. No modifique el enchufe suministrado con la máquina –si éste no cabe en la toma de corriente, deje que un electricista calificado le instale una toma apropiada.



ADVERTENCIA:

Voltaje peligroso. Riesgo de choque o electrocución. Desenchufar la aspiradora antes de iniciar trabajos de mantenimiento.

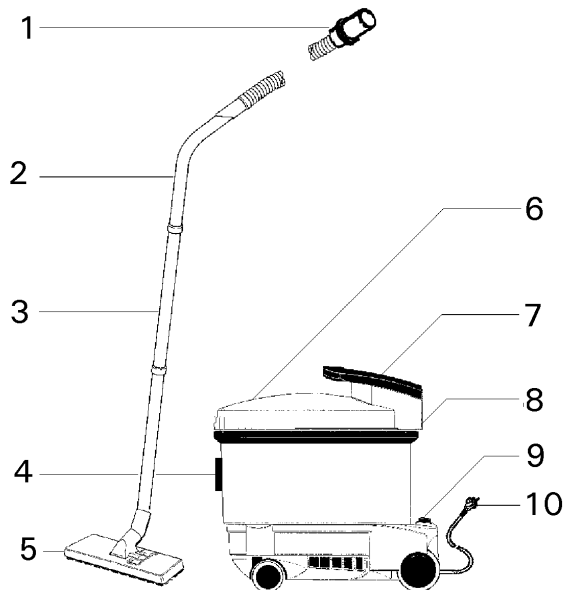
SP.3 MODIFICACIONES



Le advertimos que sólo deben emplearse piezas y accesorios originales. La falta de cumplimiento de estas recomendaciones puede resultar en daños y fallas de la aspiradora no cubiertas por la garantía. Los equipos dañados asimismo pueden provocar heridas de personas.

El fabricante, sus distribuidores y agentes no responderán por daños o heridas secundarios al uso indebido del aparato, a su utilización no autorizada o a modificaciones no autorizadas o piezas no originales.

SP.4 PIEZAS DE LA ASPIRADORA



1	Conector de tubo flexible
2	Tubo acodado
3	Tubo de mano
4	Acoplamiento de depósito
5	Tobera
6	Tapa
7	Mango
8	Resorte
9	Interruptor
10	Cable de red

SP.5 INSTALACION DE LA MAQUINA

SP.5.1 Contenido de la aspiradora

Controlar cuidadosamente el cartón en cuanto a indicios de daño. Los daños deben comunicarse sin demora al transportista. Controlar el contenido de la aspiradora para comprobar que el cartón esté completo. Póngase en contacto con el distribuidor si faltan piezas.

Contenido:

- Depósito
- Cubierta con asa
- Cartucho de filtro (dentro del depósito)
- Bolsa de filtro de papel (dentro del depósito)
- Filtro de escape (preinstalado)
- Tubos de mano (dos piezas)
- Tubo acodado
- Tubo flexible de aspiración
- Tobera.

SP.5.2 Montaje del tubo flexible de aspiración, de los tubos manuales y de la tobera



ADVERTENCIA

Voltaje peligroso. Riesgo de choque o electrocución. Desenchufar la aspiradora antes de iniciar trabajos de mantenimiento.

- Sujutando el manguito de goma del acoplamiento del tubo flexible de aspiración, insertarlo en el acoplamiento del depósito y girar en sentido de las agujas del reloj.
- Montar los dos tubos de mano y el tubo acodado juntándolos. Montar ahora la tobera al extremo inferior de los tubos manuales y conectar el extremo del tubo flexible de aspiración al tubo acodado.



El largo puede adaptarse al operador respectivo. Basta con quitar el tubo acodado, darlo vuelta y reinsertarlo en la parte recta.

SP.6 PREPARACIÓN DE LA ASPIRADORA

Cerciórese de que la bolsa de filtro de papel y el cartucho de filtro se encuentren en el depósito de la máquina, estando correctamente posicionados. Cerciórese siempre que los filtros estén limpios y que el tubo flexible de aspiración, el tubo intermedio y la tobera no estén bloqueados.

SP.7 USO DE LA ASPIRADORA

Leer y entender las **PRECAUCIONES DE SEGURIDAD** antes de usar la aspiradora.

- Enchufar el cable de red y conectar la máquina pulsando el interruptor ON/OFF.
- Aspirar moviendo la máquina hacia adelante y atrás.
- Quitando el tubo intermedio y la tobera, puede emplearse el extremo del tubo flexible para limpiar acolchados y grietas.
- Para terminar la limpieza, desconectar la máquina accionando el interruptor ON/OFF.
- Desenchufar la aspiradora. No tirar del cable para no dañarlo.
- Siempre arrollar el cable y colgar en el dispositivo correspondiente en la cubierta superior de la aspiradora.



PARA SU SEGURIDAD: Al usar la aspiradora no desenchufarla tirando del cable.

SP.8 GUARDAR LA ASPIRADORA

Cuando no se use la máquina, hay que enrollar el cable alrededor de la empuñadura en la tapa y mantenerlo distanciado de las piezas móviles o calientes.

Guardar la aspiradora en un área seca.

Atención: No exponer a la lluvia. Almacenar en el interior. Mantener fuera del alcance de niños.

SP.9 AVISOS DE MANTENIMIENTO

SP.9.1 Mantenimiento periódico



ADVERTENCIA

Para evitar peligros eléctricos, desenchufar la aspiradora siempre antes de iniciar trabajos de

limpieza o de mantenimiento. Consultar siempre los datos técnicos y las instrucciones del fabricante al sustituir piezas.

El mantenimiento periódico abarca 4 escalones:

Inspección diaria:

- Examinar visualmente la aspiradora en cuanto a pieza dañadas, cables o conexiones eléctricas dañados y
- comprobar que la bolsa de filtro de papel no esté llena ni tampoco dañada.

Mantenimiento mensual:

- Controlar los cepillos de la tobera de suelo. Si estuviera desgastados han de ser recambiados.
- Controlar el cartucho de filtro para ver si debe ser limpiado o sustituido

Mantenimiento a los 6 meses

- Cambiar el filtro de escape.

Control anual:

- Limpiar el cable y controlar en cuanto a un aislamiento dañado.
- Limpiar y lubricar las ruedas y los rodillos.
- Comprobar todas las funciones de la máquina.



ADVERTENCIA

Voltaje peligroso. Riesgo de choque o electrocución. Desenchufar la aspiradora antes de iniciar trabajos de mantenimiento

El usuario ha de ponerse en contacto con el representante autorizado para efectuar el servicio cuando sea preciso hacer cualquier trabajo de mantenimiento no incluido en lo antes mencionado,

SP.9.2 Sustitución de filtros

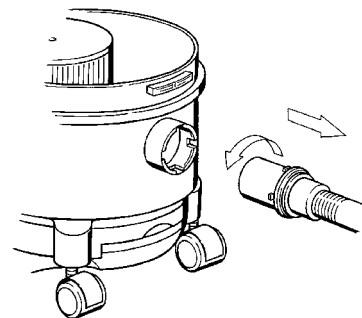


Sírvase emplear sólo filtros originales de Tennant y respete las instrucciones en el filtro o el paquete de filtros.

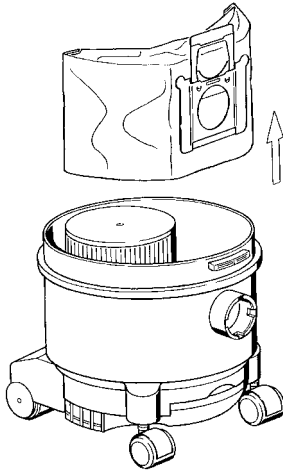
Puede comprar filtros de repuesto a su distribuidor local de Tennant. Tenga en cuenta que sólo los filtros originales de Tennant están garantizados para ofrecer un rendimiento filtrador constante y alto.

SP.9.2.1 Bolsa de filtro de papel

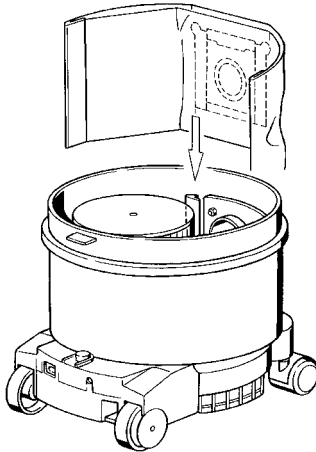
- Tenga en cuenta la información impresa en cada bolsa de filtro de papel original - ésta le ayudará a cambiar la bolsa.



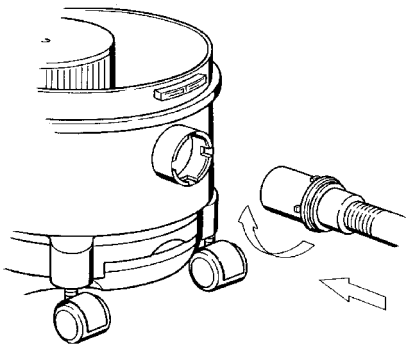
- Sujetar primero el tubo flexible de aspiración, girarlo en sentido antihorario y quitar el acoplamiento del conector del depósito.



- Sujetar el saliente de la brida de cierre de la bolsa de filtro y tirarlo levemente hacia arriba. Ello cerrará automáticamente la brida (preveniendo el escape de polvo), deslizándose la bolsa hacia arriba y saliendo del depósito.

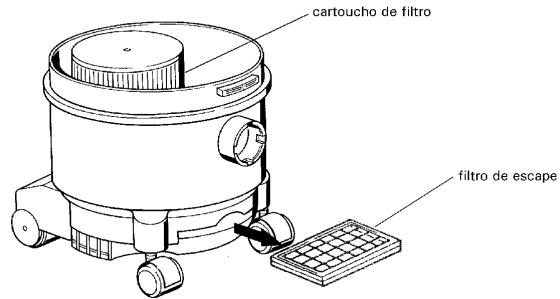


- Ahora puede instalarse la nueva bolsa de filtro de papel. Basta con colocar los bordes de cartón de la placa de montaje de la bolsa de papel en las ranuras de localización en el depósito y deslizar la bolsa a su posición debida.



- Ahora, el tubo flexible de aspiración podrá reinsertarse en el racor del depósito - insertar el acoplamiento y enclavarlo en posición mediante giro en sentido de las agujas del reloj.

SP.9.2.2 Microfiltro



El microfiltro está asegurado en posición encima del motor mediante un racor de presión. Dos escotaduras, en el capó del motor, debajo del cartucho de filtro, en los lados izquierdo y derecho, le permiten insertar los dedos corazón de las manos izquierda y derecha y extraer ligeramente hacia arriba en el lado inferior del cartucho del filtro. Para sustituir el cartucho nuevo o limpiado, basta con empujarlo ligeramente hacia abajo en el anillo de montaje.

SP.9.2.3 Filtro de escape

El filtro de escape ha sido concebido para filtrar en primer lugar el polvo de carbón de las escobillas del motor. Se encuentra situado en el frente de la máquina, en el chasis, debajo del racor del depósito. Extraer el filtro, sujetando firmemente el saliente/mango negro de plástico. Abrir el bastidor de filtro que revela el vellón del filtro. Sustituir el vellón, cerrar el bastidor y reinsertar en la máquina.

El filtro de escape debe limpiarse al menos cada seis meses.

SP.9.3 Cambio del cable de la red

- Un cable dañado es fácil de sustituir. Después de desenchufar la aspiradora, darla vuelta para exponer el chasis. Deslizar hacia adelante el clip sujetaconector y mover hacia arriba para exponer el conector. Quitar el conector viejo con cable y reinsertar el conector nuevo con cable. Bajar el clip de retención y deslizarlo hacia atrás. Escuchará un "clic" cuando se encuentra en posición.



PARA SU SEGURIDAD: Antes de iniciar trabajos de mantenimiento debe desconectar la aspiradora. Emplear piezas de repuesto autorizadas o suministradas por el fabricante.

SP.9.4 Repuestos y accesorios

Si necesita piezas de repuesto, accesorios o materiales de consumo póngase en contacto con su distribuidor.

SP.10 ELIMINACION DE FALLAS

PROBLEMA	CAUSA	SOLUCIÓN
La máquina no funciona	Cable defectuoso de la red.	Cambiar cable de la red.
	Interruptor On/Off defectuoso.	Ponerse en contacto con el Centro de Servicio.
	Cableado suelto.	Ponerse en contacto con el Centro de Servicio.
	Excitación de disyuntor.	Reset del disyuntor.
	Activación del sensor de sobrecarga térmica.	Desenchufar la aspiradora. Retire lo que obstruya la circulación del aire. El motor volverá a arrancar

		por sí mismo después de 15 a 20 minutos una vez que se haya enfriado la temperatura.
	Escobillas desgastadas en el motor de la aspiradora.	Ponerse en contacto con el Centro de Servicio.
	Motor defectuoso de la aspiradora.	Ponerse en contacto con el Centro de Servicio.
Rendimiento aspirador insuficiente	Bolsa llena.	Sustituir la bolsa.
	Filtro de cartucho atascado.	Sustituir el filtro secundario.
	Conexiones sueltas de tubo flexible de aspiración.	Apretar las conexiones de tubo flexible.
	Tubo flexible de aspiración defectuoso.	Sustituir el tubo flexible.
	Cierre del depósito no cerrado herméticamente.	Cerrar la tapa.
	Tubo flexible atascado.	Quitar todo material atascado.
	Acoplamiento atascado de depósito.	Quitar todo material atascado.
Arrastre insuficiente de los cepillos	Cepillo sucio.	Quitar todo material atascado.
	Cepillos desgastados.	Sustituir los cepillos.
	Ruedas de tobera desgastadas.	Sustituir las ruedas.

11 TECHNICAL DATA / DONNEES TECHNIQUES / DATOS TECNICOS

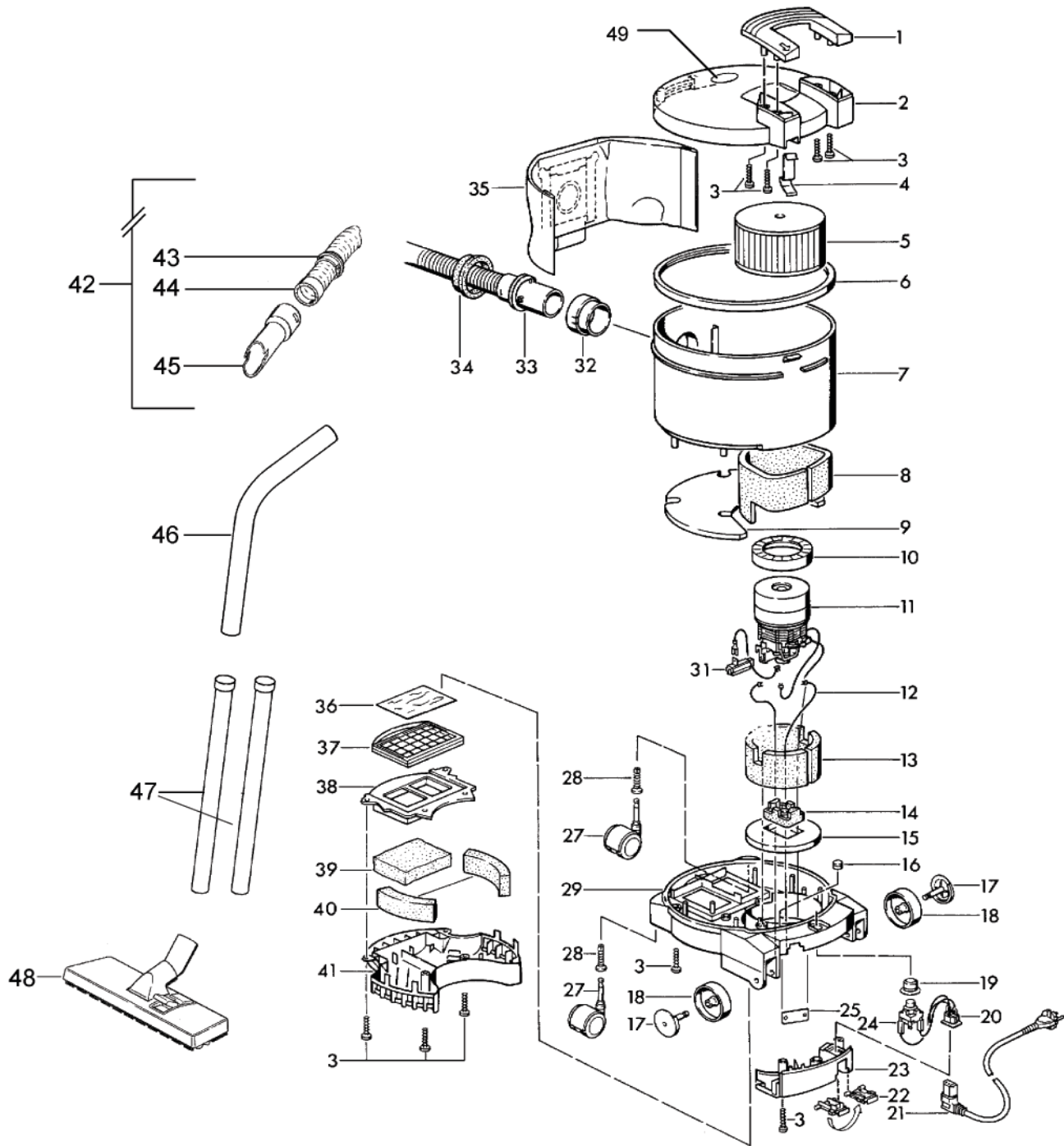
Description	Désignation	Designación	Unit/Unité/Unidad	Tennant 3400
Voltage	Tension nominale	Tensión nominal	V	120
Frequency	Fréquence	Frecuencia	Hz/ ~	60
Current uptake	Consommation de courant	Consumo de corriente	A	9.6
Rated Power	Puissance nominale	Potencia nominal	W/ hp	1,100/ 1.5
Depression	Dépression	Depresión	mbar (max.)	240
Air flow	Débit d'air	Caudal de aire	l/s (max)	50
Height	Hauteur totale	Altura	cm/ inch	35/ 13.8
Length	Longueur totale	Longitud	cm/ inch	40/ 15.8
Width	Largeur totale	Ancho	cm/ inch	34/ 13.4
Dust capacity of bag	Capacité de la cuve	Cabida de la bolsa	l/ qts.	8/ 8.3
Sound level (DIN 45635 Part 1)	Niveau de bruit (surface de mesure à 1m selon la norme DIN 45635 chap 1)	Nivel sonoro (superficie de medición a 1 m según la norma DIN 45635 Parte 1)	dB(A)	58
Mass (without accessories)	Poids (sans accessoire)	Peso (sin accesorios)	kg/ lbs.	5,5/ 12.2

12 PARTS LIST/ LISTE DES PIECES/ LISTA DE PIEZAS

No.	Part No.	Denomination	Dénomination	Denominación
1	802147	handle, cream	poignée crème	mango, crema
2	802148	lid, cream	couvercle crème	tapa, crema
3	99933076	screw 5X22	vis 5x22	tornillo 5X22
4	99932844	spring	ressort	resorte
5	99932800	micro filter, individually packed	microfiltre, emballage individuel	microfiltro, embalado individualmente
6	802149	bumper	pare-chocs	parachoques
7	802150	tank, cream	cuve crème	depósito, crema
8	99932848	damper turbine	protection turbine	amortiguador turbina
9	99932849	damper tank	protection cuve	amortiguador depósito
10	99932850	seal turbine	joint de turbine	junta turbina
11	801854	motor 120 V	moteur 120 V	motor 120 V
12	802151	wiring assy. 120 V	assemblage câbles 120 V	cableado 120 V
13	993868	damper motor	protection moteur	amortiguador motor
14	99932854	seal motor	joint moteur	junta motor
15	993869	damper motor seal	protection joint moteur	junta amortiguador de motor
16	99933359	plug	prise	conector
17	99932856	axle	axe	eje
18	99932857	wheel with grey rubber tyre	roue à bandage caoutchouc gris	rueda con neumático gris de caucho
19	99923140	cover switch	couvercle interrupteur	interruptor de cubierta
20	802152	machine plug with wires 120 V	prise appareil avec fil 120 V	conector de máquina con conductores 120 V
21	802153	power cord with plug USA/ CAN	fil électrique avec prise USA/ CAN	cable de red con conector USA/ CAN
22	99932860	holding device- cord	support enrouleur fil	sujetacable
23	802154	switch cover	couvercle interrupteur	cubierta de interruptor
24	99932862	switch	interrupteur	interruptor
25	99932524	cover	couvercle	cubierta
27	99932828	castor	roulette	rueda
28	99932865	insert	insert	inserto
29	802155	chassis cpl. with inserts	raccordement châssis avec insert	chasis compl. con insertos

31	801803	carbon brush 100-120 V	balais de charbon 120 V	escobilla de carbón 120 V
32	99932868	tank coupling	raccordement cuve	acoplamiento de depósito
33	99932869	hose connector 1.25"	connexion tuyau 1.25"	conector de tubo flexible 1.25"
33	801888	hose connector 1.5"	connexion tuyau 1.5 "	conector de tubo flexible 1.5"
34	99932870	seal	joint d'étanchéité	junta
35	801614	paper filter bag, set of 10 pcs.	sac filtre papier, pochette de 10	bolsa de filtro de papel, juego de 10 piezas
36	801647	exhaust air filter, set of 5 pcs.	filtre d'aspiration, pochette de 5	filtro de escape de aire, juego de 5 piezas
37	802156	filter cassette	cassette filtre	casete de filtro
38	802157	frame	cadre	bastidor
39	993872	silencer air guide, middle part	guide silencieux air, partie centrale	guía de aire de silenciador, parte céntrica
40	99932874	silencer air guide, side	guide silencieux air, côté	guía de aire de silenciador, parte lateral
41	802158	exhaust air guide	guide d'aspiration d'air	guía de aire de escape
42	99932801	hose 1.25" cpl.	tuyau rac. 1.25"	tubo flexible de 1.25" compl.
42	802159	hose 1.5" cpl.	tuyau rac. 1.5"	tubo flexible de 1.5" compl.
43	99923234	clip ring 1.25"	bague de serrage 1.25"	anillo clip 1.25"
43	801932	clip ring 1.5"	bague de serrage 1.5"	anillo clip 1.5"
44	99923232	screw ring 1.25"	bague filetée 1.25"	anillo roscado 1.25"
44	802160	screw ring 1.5"	bague filetée 1.5"	anillo roscado 1.5"
45	99923230	swivel slanted cuff 1.25"	embout pivotant inclinable 1.25"	manguito giratorio inclinado 1.25"
45	801933	swivel slanted cuff 1.5"	embout pivotant inclinable 1.5"	manguito giratorio inclinado 1.5"
46	99923442	bent tube 1.25"	coude 1.25"	tubo acodado 1.25"
46	802161	bent tube 1.5"	coude 1.5"	tubo acodado 1.5"
47	99932841	hand tube 1.25" Qty 1	manche 1.25"	tubo de mano 1.25"
47	802162	hand tube 1.5" Qty 1	manche 1.5"	tubo de mano 1.5"
48	99919330	nozzle D 306, 1.25"	embout D 306, 1.25"	tobera D 306, 1.25"
48	802163	nozzle D 306, 1.5"	embout D 306, 1.5"	tobera D 306, 1.5"
49	-	decal	autocollant	calcomania

13 BLOW UP DIAGRAM / ECLATÉ TECHNIQUE / DESPIECE



Note:

For safety reasons only genuine Tennant spare parts should be used! Any unauthorized opening of the appliance, technical modifications or non-original parts will annul the guarantee!

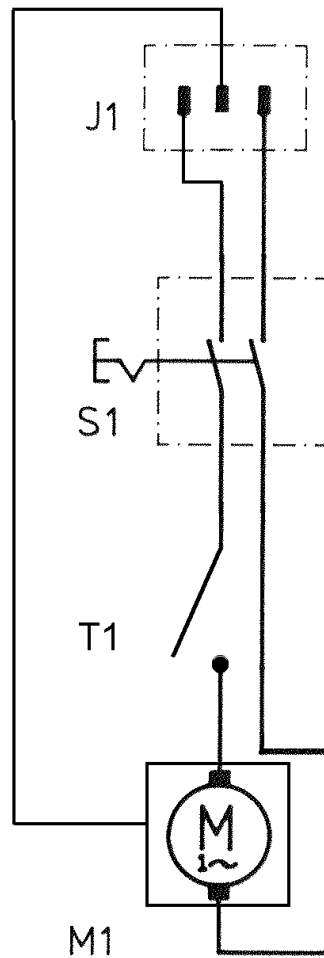
Avertissement:

N'oubliez pas que la sécurité de votre appareil est garantie à condition d'utiliser des accessoires et pièces de rechange Tennant d'origine! Ouvrir l'appareil sans autorisation ou le modifier entraîne l'annulation de la garantie.

Advertencia:

¡Por motivos de seguridad sólo deben utilizarse piezas originales de Tennant! ¡La apertura no autorizada del aparato, las modificaciones técnicas o el uso de piezas no originales invalidará la garantía!

14 WIRING DIAGRAM/ SCHEMA DE CABLAGE/ ESQUEMA DE CONDUCTORES



J1	plug	prise	conector
S1	switch	interrupteur	interruptor
T1	thermal switch	înterrupteur thermique	relé térmico
M1	motor	moteur	motor



U.S. AND CANADIAN NEW MACHINE WARRANTY POLICY

Our Commitment to Customer Satisfaction

The warranty terms outlined below are in lieu of any other warranties, either expressed or implied, including any implied warranty of merchantability, fitness for a particular purpose or otherwise. Under no circumstances will seller be liable for any loss, damage, expense or consequential damages arising in connection with the use or inability to use, these products.

This warranty does not apply to damage or defect caused by accident, misuse, negligence, abuse, fire or to any Nobles product that has been serviced by anyone other than an authorized Nobles/Tennant service representative. Housings or parts that have become damaged as a result of improper use of the machine are excluded from this warranty. Refer to Owner's Manual for proper machine use and maintenance. Parts that are expected to wear from normal use and, therefore, are not covered under the parts warranty include: batteries (warranty pro-rated for one year); bearings; belts; brushes; filters; squeegees; switches; and tires.

This warranty commences on the date of purchase of the product by the original end user from an authorized Nobles sales representative, subject to proof of purchase. **A Machine Installation/Warranty Report form included with the Owner's Manual must be completed and returned immediately at the time of purchase.** If proof of purchase date is unavailable, the warranty begins 90 days after the sale of the product to an authorized Nobles dealer.

10-3-3 Warranty for Walk Behind Models

- Subject to the conditions outlined above, Nobles warrants the rotationally-molded polyethylene housings and parts on all of its machines to be free from defects in materials and workmanship, under normal use and service for ten (10) years to the original end user.
- Under this warranty, Nobles guarantees the performance of non-polyethylene parts and components on Nobles models to be free from defects for up to three (3) years or 2,500 hours of operation, whichever comes first, to the original end user. Parts replaced or repaired under this warranty are guaranteed for the remainder of the original warranty period.
- Labor charges are covered for three (3) full years from the date of purchase for Nobles products, provided an authorized Nobles/Tennant service provider is used for repair. Travel is covered for 90 days for battery models. No travel coverage is extended for cord electric models or the Typhoon16 Battery unit.

10-2-6 Warranty for Rider Models

- Subject to the conditions outlined above, Nobles warrants the rotationally-molded polyethylene housings and parts on its rider models to be free from defects in materials and workmanship under normal use and service for ten (10) years to the original end user.
- Under this warranty, we guarantee the performance of non-polyethylene parts and components on rider models to be free from defects for up to two (2) years or 1,000 hours of operation, whichever comes first, to the original end user. Parts replaced or repaired under this warranty are guaranteed for the remainder of the original warranty period.
- Travel and labor charges are covered for six (6) months from date of installation. Nobles will, at its option, provide travel (maximum of 3 hours) and labor for repair, or pay for outside repair service in accordance with Nobles Company's flat rate schedule for certain warranty repairs.

Product Exceptions and Exclusions: A one year warranty is extended to the original end user against manufacturing defects and workmanship on non-wear components for these machines: Anserportable spotter; TV1200, Pathmaker, and Viper vacuums; the Tidy-Vac dry canister vacuum; the Scout 27 and 28 sweepers; the Cyclone dryer; and the TrailBlazer Series. Battery chargers and all accessories are warranted for one year.

Date Purchased:	_____
Model Number:	_____
Serial Number:	_____

Please make sure to record this information. This information will be necessary for future warranty claims.

Nobles reserves the right to change its warranty policy without notice.