



IPC Integrated Professional Cleaning

IPCPortotecnica

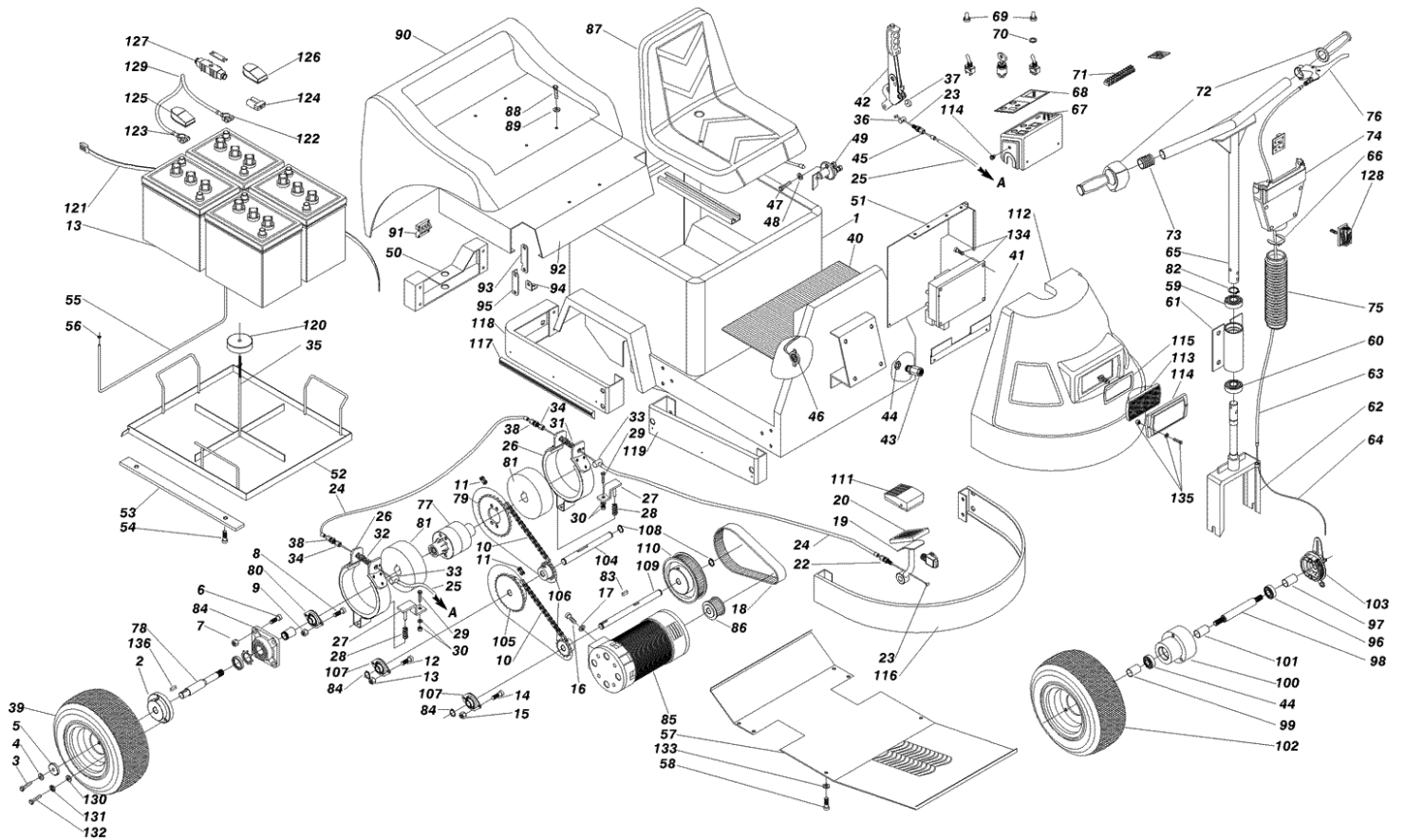
Spare Parts List

PORTOTECNICA

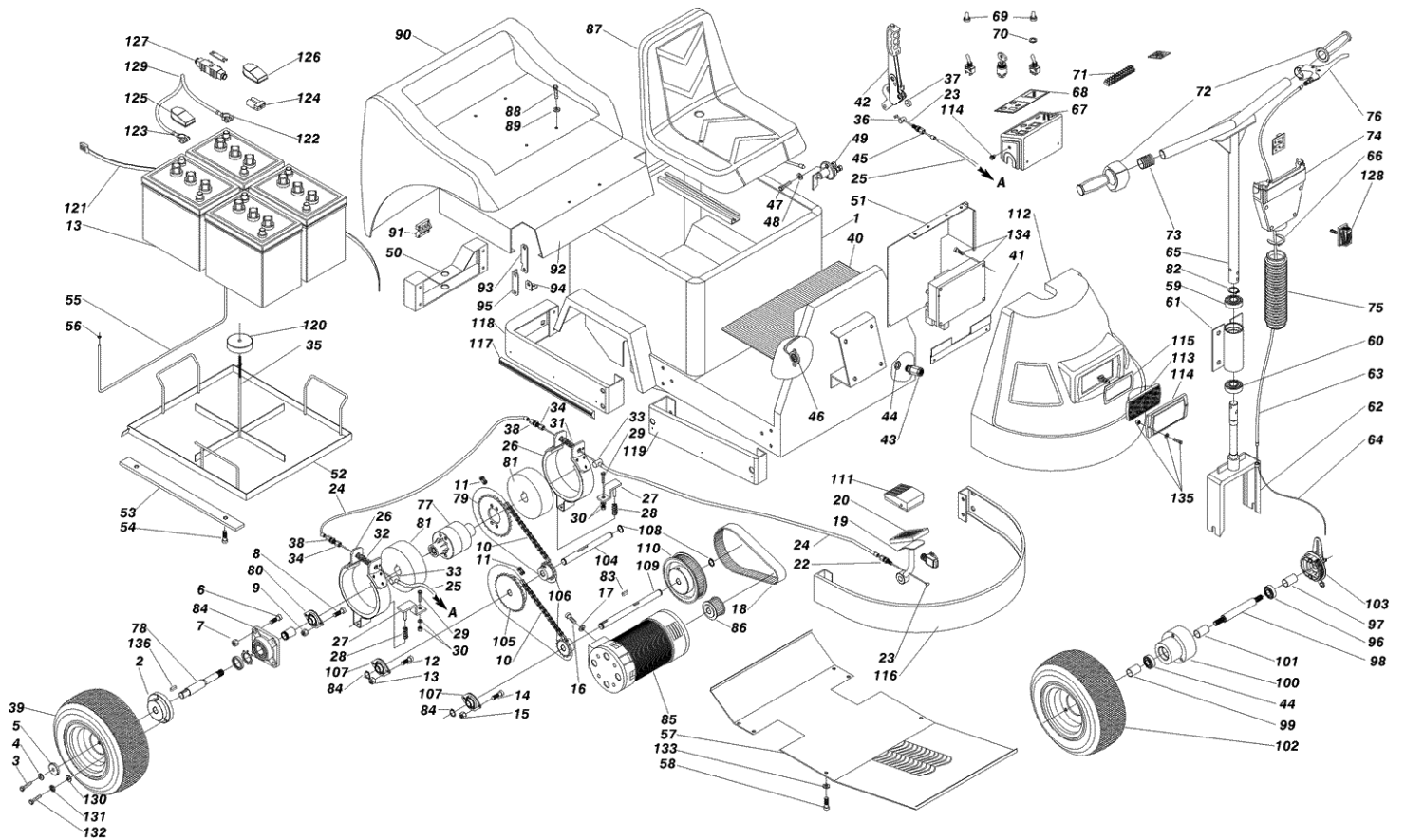
Ref: ELVC41890

Model: EL.CARRELLO TIGER 1000

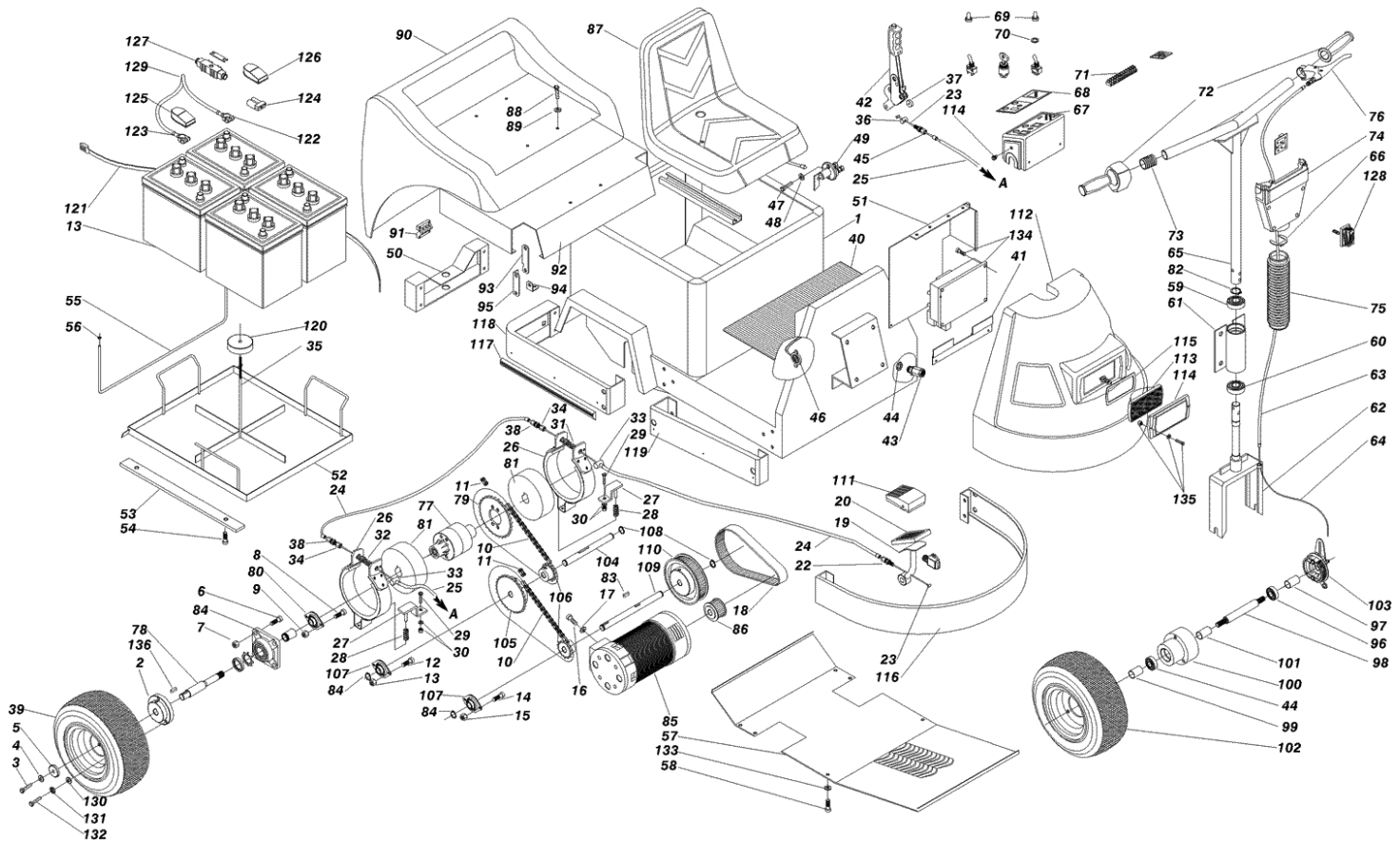
4-01PRT



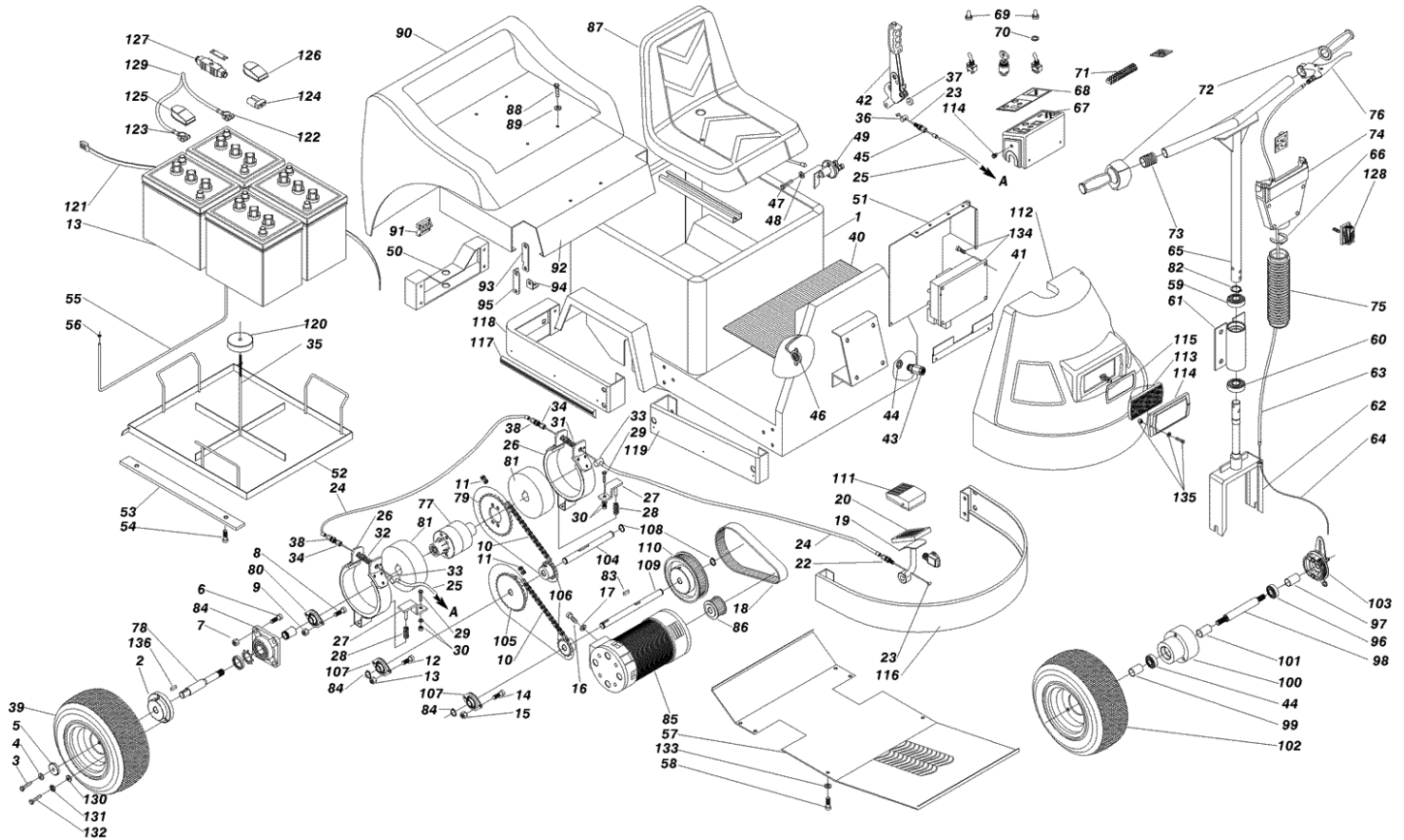
Ref. K	Part N.	Customer Part N.	Description	Qty	Validity: From	To	Price
0001	LAFN42474		BODY TIG.1000	1,00			--
0002	LAFN42385		HUB T.1000 PST.	2,00			--
0003	VTVT00447		SCREW TE 8X25 UNI5739	2,00			--
0004	VTRS01080		WASHER D. 8 GRW	2,00			--
0005	LAFN32247		SPACER D. 8.5-30 L= 7 HONDA	2,00			--
0006	VTVT17848		SCREW TE M 12X 40 UNI 5737	8,00			--
0007	VTDD00494		NUT M12 TEF	8,00			--
0008	VTVT13797		SCREW TE 8X16 UNI8111 SW.FRM	4,00			--
0009	VTDD01692		NUT M 8 SERPRESS	4,00			--
0010	MTCR42368		CHAIN 1/2X5/16 C. 126 REX R.	0,58			--
0011	MTCR42369		WARP KNITTING 1/2X5/16 126G	1,00			--
0012	VTVT13797		SCREW TE 8X16 UNI8111 SW.FRM	4,00	07/2000		--
0013	VTDD01692		NUT M 8 SERPRESS	4,00	07/2000		--
0014	VTVT13797		SCREW TE 8X16 UNI8111 SW.FRM	4,00	07/2000		--
0015	VTDD01692		NUT M 8 SERPRESS	4,00	07/2000		--
0016	VTVT00446		SCREW TE 8X20 UNI5739	4,00			--
0017	VTRS00512		WASHER D. 8 X24 ZC.	4,00			--
0018	MTCG42362		BELT HTD 720-8M 30	1,00			--
0019	LAFN33447		BRAKE PEDAL L.9000	1,00			--
0020	LAFN29988		PROTECTION TIG.300	1,00			--
0022	CMCV12069		REGISTER CH.12X 8MAX40	1,00			--
0023	CMCV43748		CORD D. 3 L=2750 + BR.D.12	1,00	10/2000		--
0024	CMCV43750		SHEATH VIPLAST 5.8X7 X8 L. 580	2,00	10/2000		--
0025	CMCV43749		SHEATH VIPLAST 5.8X7 X8 L.1280	1,00	10/2000		--
0026	RTRT43725		BRAKE SHOE D.110X 35 FT.1100	2,00	10/2000		--
0027	LAFN43730		SUPPORT BRACKETT.1000	2,00	10/2000		--
0028	MLML43727		SPRING D. 12 X28 X1.2 T.1000	2,00	10/2000		--
0029	VTVT13939		SCREW TE 6X20 UNI5739 INX	2,00			--
0030	VTDD15518		NUT M 6 INX	2,00			--
0030	VTRS07728		WASHER D. 6 INX	2,00			--
0031	MLML09741		SPRING D.13X44,5 P11	1,00	05/2002		--
0032	MLML43726		SPRING D. 15 X62 X1.5 T.1000	1,00	03/2002		--
0033	LAFN43721		CLAMP T.1000	2,00	10/2000		--
0034	CMCV43723		BARREL CH.13X15 M8 T.1000	2,00	10/2000		--
0035	VTVT42419		SCREW T.1000	1,00	03/2000		--
0036	LAFN43015		BLOCK TIG.1000	1,00	04/2000		--
0037	LAFN43017		SPACER D. 7-25 L=11 ZC	1,00	04/2000		--
0038	CMCV12069		REGISTER CH.12X 8MAX40	2,00	10/2000		--
0039	RTRT29968		WHEEL D. 13"X 5.00/ 6 PN.	2,00			--



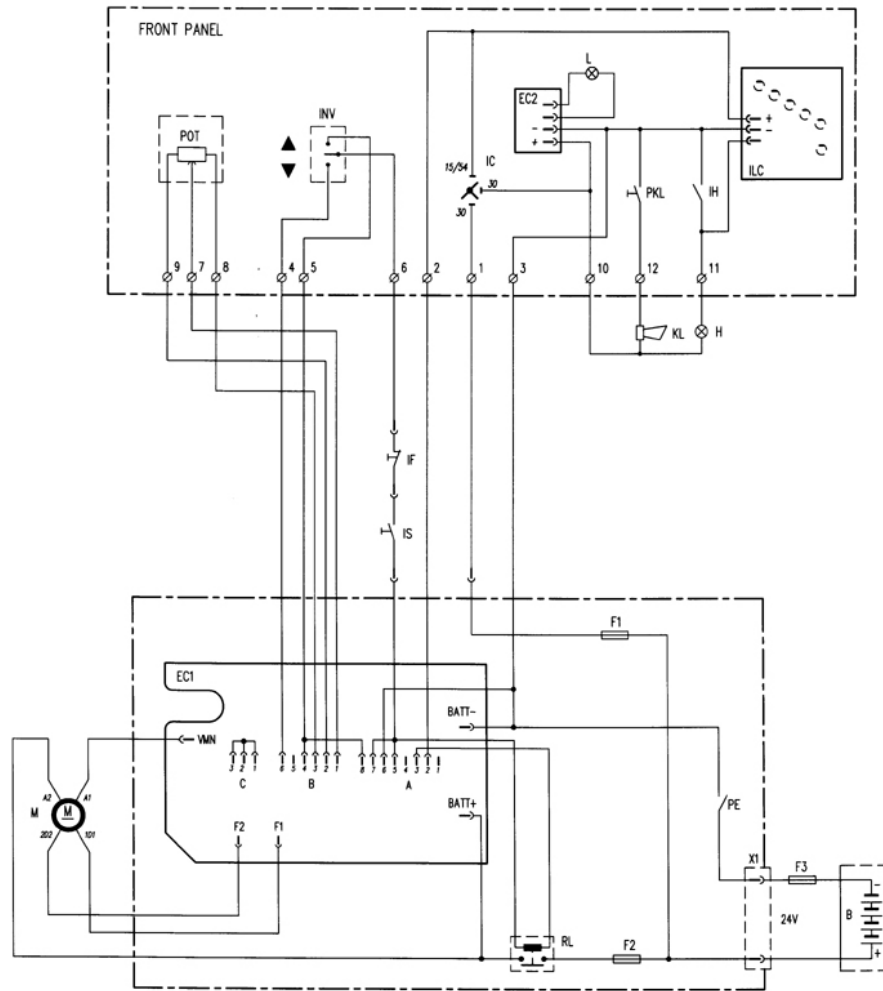
Ref. K	Part N.	Customer Part N.	Description	Qty	Validity:		Price
					From	To	
0040	MPVR42359		PLANE T.1000	1,00			--
0041	LAFN36335		BRACKET TIG.	1,00			--
0042	CMCV42356		TRIGGER FACA	1,00			--
0043	MEVR01915		FAIR-LEAD D.16 SC	1,00			--
0044	MEVR01920		LOCKNUT D. 16	1,00			--
0045	CMCV12069		REGISTER CH.12X 8MAX40	1,00			--
0046	MECB42944		BUZZER D.42 PKB5-3A0 CBL	1,00	04/2000		--
0047	VTVT25909		SCREW M 6X 25 TSPEI UNI 5933	2,00			--
0048	VTRS07728		WASHER D. 6 INX	2,00			--
0049	VTDD15518		NUT M 6 INX	2,00			--
0050	LAFN42416		BACK BUMPER T.1000	1,00			--
0051	LAFN42433		BOX COVER T.1000	1,00			--
0052	LAFN42423		BATTERY SUPPORTT.1000	1,00			--
0053	MPVR42449		PLATE PVC 520X40X 5	3,00			--
0054	VTVT15922		SCREW M 6X 10 TSPEI UNI 5933	6,00			--
0055	LAFN42408		FRAME T.1000	1,00			--
0056	VTRS36062		WASHER D. 8 CRN	2,00			--
0057	LAFN43733		PANEL T.1000 2V.	1,00	10/2000		--
0058	VTVT08011		SCREW TE M 5X 12 DIN7500 FRM.D	12,00			--
0059	CUVR15981		BALL BEARING 6205 2RS1	1,00			--
0060	CUVR35782		BALL BEARING 7205 BE	1,00			--
0061	LAFN35787		SUPPORT TIGER	1,00			--
0062	LAFN38798		UP STEERING TIG. 500	1,00			--
0063	CMCV29816		SHEATH VIPLAST L=1060 3 X6	1,00	11/2000		--
0064	CMCV29817		CORD D. 2 L=1800	1,00	11/2000		--
0065	LAFN38547		UP STEERING L.95-TIG.	1,00			--
0065	VTDD00492		NUT M 8 ZINC	2,00	10/2000		--
0065	VTRS14242		WASHER D. 8.4X13X0.8 UNI7064 SCH	4,00	10/2000		--
0065	VTVT00450		SCREW TE 8X40 UNI5739	2,00	10/2000		--
0066	LAFN39241		RING TIG. L.ZIN	1,00			--
0067	MPVR33115		INSTR.PANEL L.9000 - TIG. 2.V PP	1,00			--
0067	VTDD15518		NUT M 6 INX	2,00			--
0067	VTRS07728		WASHER D. 6 INX	4,00			--
0067	VTVT15141		SCREW TE M 6X 25 UNI 5739 INX	2,00			--
0068	ETET42222		LABEL TIG. 500/1000 PLC	1,00			--
0069	MEVR34121		COWLING T 115	2,00			--
0070	MPVR34018		ADAPTER TIG. NYL	1,00			--
0071	MEVR12253		TERMINAL BOARD WIELAND KL 16.12 PA DS	1,00	04/2000		--
0072	MEVR40004		KNOB D.22 DX TIG.	1,00	06/2007		--



Ref.	K	Part N.	Customer Part N.	Description	Qty	Validity:		Price
						From	To	
0072		MEVR43154		KNOB D.22 DX TIG.1000	1,00	05/2000	06/2007	--
0073		MPVR31720		PROTECTOR 22 X 44	2,00			--
0074		MPVR33116		HALF BEARING PP 2.V	2,00			--
0075		MPVR35714		PROTECTOR D. 55-50X230	1,00			--
0076		CMCV29815		TRIGGER D. 22 + STZ. SX TIG.	1,00			--
0076		CMCV33525		LEVER D.22 NYL	1,00	11/2000	01/2007	--
0076		CMCV40002		LEVER D.22 C/STZ. MN. C.16	1,00	02/2007		--
0076		MPVR04758		LEVER	1,00	01/2007	02/2007	--
0077		MTDF33012		DIFFERENTIAL TMS PEERLESS L.9-95	1,00			--
0078		ALTR42387		TRACTION SHAFT T.1000	2,00			--
0079		MTCR42375		PINION Z. 35 C 1/2X5/16 T.1000	1,00			--
0080		CUVR33324		BEARING BPFL 205	2,00			--
0081		LAFN43724		BRAKE DRUM D.108X 35 T.1000	2,00	10/2000		--
0082		VTAE09655		CIRCLIP D. 25 UNI 7435	4,00	10/2000		--
0083		VTVR23472		KEY 6X6X25	2,00	10/2000		--
0084		CUVR42350		BALL BEARING SLB UKF 206	2,00			--
0085		MOCC42348		TRACTION MOTOR CC B14/90 24V 1500W 2050G	1,00			--
0086		MTPL42379		PULLEY HTD 30-8M 22 T.1000	1,00			--
0087		SESD43177		SEAT GARDEN I.130MM T.1000	1,00			--
0088		VTVT13797		SCREW TE 8X16 UNI8111 SW.FRM	4,00			--
0089		VTRS00512		WASHER D. 8 X24 ZC.	4,00			--
0090		MPVR42354		COVER T.1000 ABS	1,00			--
0091		MPVR32197		HINGE M 5	2,00			--
0092		LAFN42427		SUPPORT T.1000	1,00			--
0093		LAFN34094		ROD L.9000 S.	1,00			--
0094		LAFN42404		BRACKET T.1000 INX	1,00			--
0095		LAFN34095		ROD L.9000 I.	1,00			--
0096		CUVR34259		BALL BEARING 6204 2Z	2,00			--
0097		LAFN29920		SPACER D. 25-21 L=42	1,00			--
0098		LAFN29922		WHEEL PIN D.20 L=215 2XM14	1,00			--
0099		LAFN29924		SPACER D. 25-21 L=37	1,00			--
0100		LAFN34161		HUB T.300 CDR ANT.	1,00			--
0101		LAFN34165		SPACER D. 21-25 L=33.7	1,00			--
0102		RTRT29968		WHEEL D. 13"X 5.00/ 6 PN.	1,00			--
0103		RTRT31163		BLOCK BRAKE R D. 90-D.14 DX	1,00			--
0104		ALTR42381		TRACTION SHAFT TIG. 1000 PST.	1,00			--
0105		MTCR42373		PINION Z.30 P 1/2 X5/16 S.T.1000	1,00			--
0106		MTCR42371		PINION Z.14 P 1/2 X5/16 S.T.1000	1,00			--
0108		VTAE13512		CIRCLIP D. 17 UNI 7435	2,00			--



Ref. K	Part N.	Customer Part N.	Description	Qty	Validity:		Price
					From	To	
0109	ALTR42383		TRACTION SHAFT TIG.1000 ANT.	1,00			--
0110	MTPL42377		PULLEY HTD 30-8M 60 T.1000	1,00			--
0111	MECI42352		FEED PEDAL MP 6114/F 240V 16A	1,00	04/2000		--
0112	VTRS00503		WASHER D. 6 TE UNI 6798	2,00	10/2000		--
0112	VTVT00444		SCREW TE 6X20 UNI5739	2,00	10/2000		--
0112	MPVR42355		HOOD TIG.300 ABS GFR	1,00			--
0113	MELF29909		LANTERN COBO	1,00			--
0114	MELF29911		FRAME COBO	1,00			--
0115	MELF29912		GASKET COBO	1,00			--
0116	LAFN42482		ANT.BUMPER T.1000	1,00			--
0117	MPVR30857		BUMPER 31 X 13 EPDM	0,44			--
0118	LAFN42476		BACK BUMPER T.1000 DX	1,00			--
0118	LAFN42478		BACK BUMPER T.1000 SX	1,00			--
0119	LAFN42410		BUMPER T.1000 DX	1,00			--
0119	LAFN42412		BUMPER T.1000 SX	1,00			--
0120	MPVR42402		BATTERY BLOCK T.1000 NYL	1,00			--
0121	MPVR42349		BELT PP. 25 L=2000 T.1000	1,00			--
0122	MEVR00281		CLAMP POS. 10/16MMQ D.I. 6.4MM	1,00	06/2000		--
0123	MEVR02880		CLAMP NEG. 10/16MMQ D.I. 6.4MM	1,00	06/2000		--
0125	MEVR09359		COWLING GRIS. RSS	1,00	06/2000		--
0126	MEVR17888		COWLING GRIS. BK.	1,00	06/2000		--
0127	MEVR42361		FUSE-HOLDER M.VAL 10-35MM	1,00	06/2000		--
0128	MELF38915		LANTERN COBO ORANGE	1,00			--
0129	MECB38663		CABLE SG 1X16 L= 30	3,00			--
0130	VTRS00504		WASHER D. 8 TE ZC. UNI 6592	3,00			--
0131	VTRS01080		WASHER D. 8 GRW	3,00			--
0132	VTVT29810		SCREW TCEI M 8X20 UNI 5931	3,00			--
0133	VTRS15958		WASHER D. 5 X15 UNI 6593	12,00			--
0135	VTDD04369		NUT M 4 TEF UNI 7473	3,00			--
0135	VTRS00501		WASHER D. 4 0.232 UNI 6592	2,00	05/2000		--
0135	VTVT29194		SCREW M 4X 25 TSPEI UNI 5933	2,00			--
0136	VTVR23472		KEY 6X6X25	1,00			--



Ref.	K	Part N.	Customer Part N.	Description	Qty	Validity:		Price
						From	To	
H		MELF29910		LAMP 24 V 70 W	1,00			--
L		MELF38917		LAMP 24V 10W SF.	1,00			--
M		MOCC42348		TRACTION MOTOR CC B14/90 24V 1500W 2050G	1,00			--
F1		MEVR02822		FUSE 5X20 10A	1,00			--
F2		MEVR42824		FUSE 125 A LML	1,00			--
F3		MEVR42360		FUSE M.VAL 250A	1,00	06/2000		--
IC		MECI30416		SWITCH ZADI 8328	1,00			--
IF		MECI42358		SWITCH COBO 12V IP65	1,00	04/2000		--
IH		MECI30499		SWITCH T.300	1,00			--
IS		MECI42352		FEED PEDAL MP 6114/F 240V 16A	1,00			--
KL		MECE42395		BUZZER D.42 PKB5-3A0 24V	1,00	04/2000		--
PE		MECI42357		SWITCH UNIP. 24V 100A	1,00			--
RL		METT42823		CONTACTOR 24V SW80B-548	1,00			--
EC1		MECE42353		PCB SEM 1C 24/300	1,00	12/2001		--
EC2		MECE38916		PCB INT. 12/24V 20W TIG	1,00			--
ILC		MECE34453		PCB LED L.ME 24V 2.V	1,00			--
INV		MECI34120		SWITCH T 115-EA	1,00			--
PKL		MECI30417		SWITCH D.15 TIG.	1,00			--
POT		MEVR43154		KNOB D.22 DX TIG.1000	1,00			--