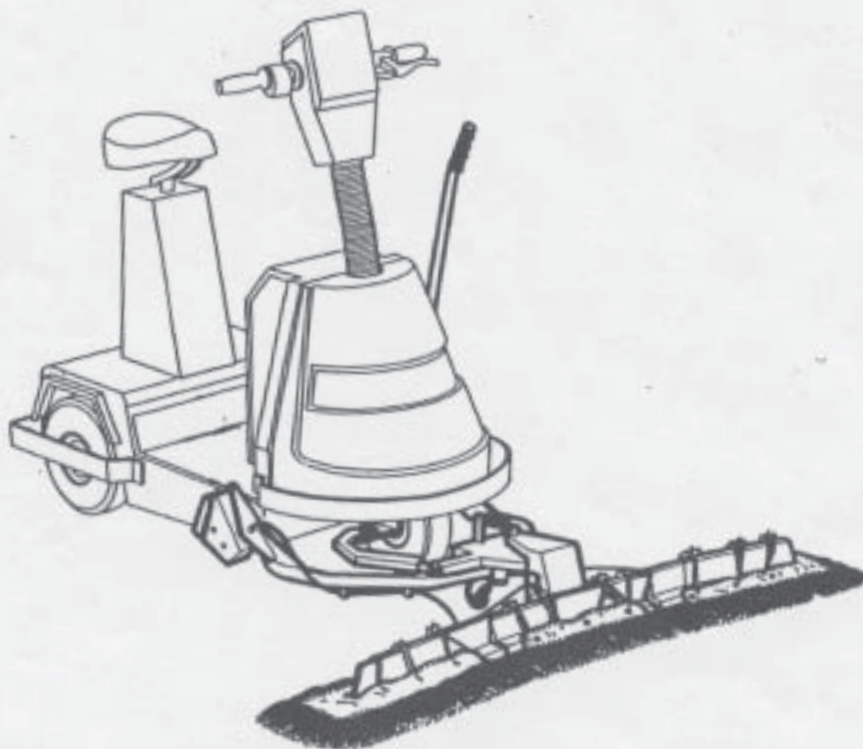


**SPARE PARTS LIST
LISTE PIECES DETACHEES
ERSATZTEILLISTE
MANUAL DE REPUESTOS
DISTINTA RICAMBI**



mod. MOP 130

KIT SY 2 - 24 - SY 2 - 25

OPTIONAL ACCESSORIES
ACCESSOIRES OPTIONNELS
SONDERZUBERHÖRTEILE
ACCESORIOS OPCIONAL
ACCESSORI OPTIONAL



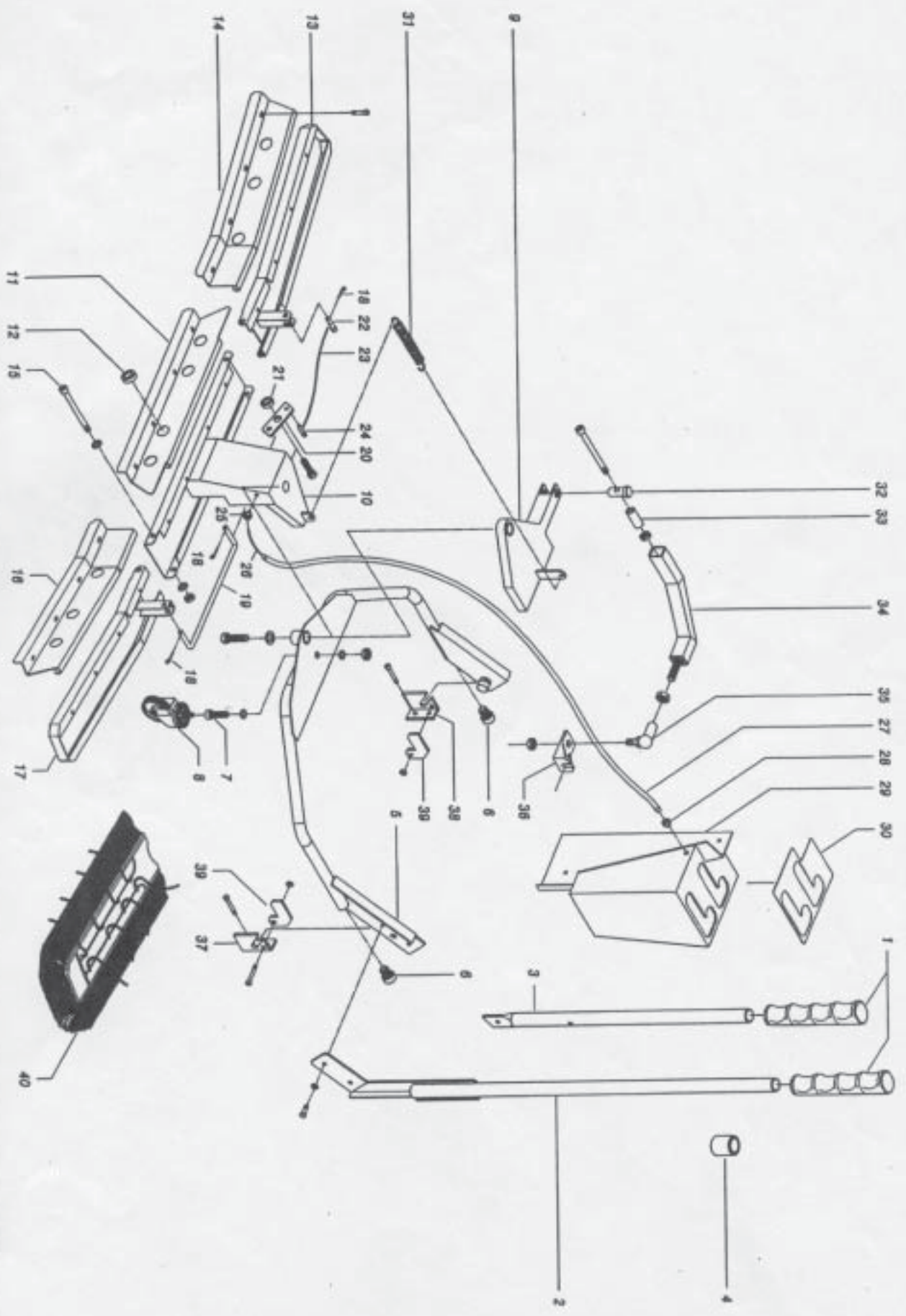
 **portotecnica**

TABLE N° :
07 01996 000

DESCRIPTION :
KIT SY 2-24 M.MOP 130 T.25

EXPLODED VIEW

DATE :
29.11.00



07 01996 000

KIT SY 2-24 MOD.MOP 130 T.250

SPARE PARTS LIST

DATE :
29.11.00

REF. CODE KIT	QTY	DESCRIPTION	DENOMINATION	BESCHREIBUNG	DESCRIPCION	DESCRIZIONE	TECHNICAL FEATURES	NOTES
1 30217	2	KNOB	POIGNEE	VERSTELLGRIF	MANOPLA	MANOPOLA	D. 20 L=115 MOP	
2 42960	1	CONTROL LEVER	LEVIER CONTROL	STEUERUNG HEBEL	PALANCA MANDO	LEVA COMANDO	MOP 130 ZV.	
3 42976	1	LEVER	LEVIER	HEBEL	PALANCA	LEVA	M.MOP 130 ZV.	
4 43429	2	BUSHING	DOUILLE	BÜHSE	MANGUITO	BOCOCCA	D. 20X22X30 A.LUB. IGL.G	
5 42963	1	TUBULAR FRAME	CHASSIS TUBOL.	ROHRGEB. FAHRG.	CEASIS TUBULAR	TELAIO TUBOLARE	MOP 130 ZV.	
6 03082	2	FRON	EMBOUT	SPITZE	PUNTAL	PUNTALE	D.20 L.02.117	
7 30550	1	EXTENSION	BALLONGE	VERLÄNGERUNG	PROLONGACION	PROLUNGA	M10-M 8 MOP 130	
8 30144	1	TURNING WHEEL	ROUE PIVOTTANTE	DREHBADES RAD	RUEDA	RUOTA PIVOTTAN.	D. 50 M 8	
9 34142	1	PLATE	PLAQUE	PLATTE	SOPORTE	PIASTRA	MOP 130	
10 42969	1	SLIDE	FATIN	GLEITFUHRUNG	FATIN	PATTINO	MOP 130 ZV.CT	
11 30155	1	SUPPORT PLATE	PLAQUE SUPPORT	PLATTE HALTER	SOPORTE	PIASTRA SUPP.	MOP 130	
12 00248	10	FAIR-LEAD	PASSAGE P. FIL	DRAHTGURCHENANG	PASEILO	PASSAFILO	D.15-22	
13 42982	1	SLIDE	FATIN	GLEITFUHRUNG	FATIN	PATTINO	MOP 130 DE ZV.	
14 30161	1	SUPPORT PLATE	PLAQUE SUPPORT	PLATTE HALTER	SOPORTE	PIASTRA SUPP.	MOP 130 DE	
15 30219	2	SCREW	VIS	SCHRAUBE	TORNILLO	VITE	TCEI M 6X110 UNI 5931	
16 30163	1	SUPPORT PLATE	PLAQUE SUPPORT	PLATTE HALTER	SOPORTE	PIASTRA SUPP.	MOP 130 SX	
17 30159	1	SLIDE	FATIN	GLEITFUHRUNG	FATIN	PATTINO	MOP 130 SX	
18 13514	3	SPLIT PIN	GOUPILE	SPLINT	CLAVETA	COPIGLIA	D. 2X20 UNI 1336	
19 42972	1	CONTROL ROD	TIGE D.CONTROLE	KONTROL. STANGE	VARILLA D.CONT.	ASTA COMANDO	M.MOP 130 ZV.	
20 42974	1	LEVER	LEVIER	HEBEL	PALANCA	LEVA	M.MOP 130 ZV.	
21 42957	1	SPACER	ENTRETOISE	DISTANZSTÜCK	SEPARADOR	DISTANZIALE	D. 9-12 L= 4.5 INX	
22 30221	1	PLUG	GOUPILE	STIFT	PASADOR	SPINA	MOP 130	
23 43035	1	CORD	CORDE	KLEINB.	CUERDA	CORDA	D.2,5 X 240	
24 13590	2	CLAMP	BORNE	KLEBNE	PRES. SUJECION	MORSETTO	V7 8X11 M5 LOGY 700	
25 28891	1	SOLID BOX	FOURSEAU	HULSE	BRUJULA	BUSSOLA	D. 9,7X15 - D.5F D.3	
26 30148	1	CORD	CORDE	KLEINB.	CUERDA	CORDA	D. 2.5 L=1360	
27 30147	1	SHOAT	GAINE	MANTEL	VALINA	GUAINA	3,5X8 L.1050 MOP 130	
28 30150	1	REGISTER	REGISTR	KLAPPE	REGISTRO	REGISTRO	CH.12X 8MAX35 D.5	
29 42988	1	CONTROL COVER	PROTEC.CONTROLE	STEUERUNGSSCH.ck.	TAPA MANDOS	SCATOLA COPRIC.	MOP 130 ZV.	
30 43165	1	LABEL	ETICHETTE	ETICHETTE	ETIQUETA	ETICHETTA	MOP II T.250 PVC R	
31 30145	1	SPRING	RESSORT	FEDER	MUELLE	MOLLA	D. 20.5 X85- X2.5 MOP	
32 34140	1	PIN	PIVOT	TAPPEN	PERNO	PERNO	MOP 130	

TABLE N° :
07 01996 000DESCRIPTION :
KIT SY 2-24 MOD.MOP 130 T.250

SPARE PARTS LIST

DATE :
29.11.00

REF. CODE KIT	QTY	DESCRIPTION	DENOMINATION	BESCHREIBUNG	DESCRIPCION	DESCRIZIONE	TECHNICAL FEATURES	NOTES
33 34138	1	SPACER	ENTRETOISE	DISTANZSTÜCK	SEPARADOR	DISTANZIALE	D. 10-12 L= 31 INX	
34 34137	1	LEVER ARM	LEVIER	ARM	BRASO	BRACCETTO	MOP 130	
35 34040	1	ARTICULATION	JOINT A ROTULES	GELINK	SNODO	SNODO	AS MS	
36 34135	1	BRACKET	ETRIER	BOGEL	GRAPA	STAFFA	MOP 130	
37 30133	1	PLATE	PLAQUETTE	PLATTCHEN	SOPORTITO	PIASTRINA	MOP 130 SX	
38 30131	1	PLATE	PLAQUETTE	PLATTCHEN	SOPORTITO	PIASTRINA	MOP 130 DX	
39 30135	2	HOOK	CHOCNET	HAKEN	GANCIO	GANCIO	MOP 130	
40 30048	1	MOP	MOP	MOP	MOP	MOP	130 Ca	

TABLE N°:

07 01997 000

DESCRIPTION :

KIT SY 2-25 M.MOP 130 T.50

EXPLODED VIEW

DATE :

29.11.00

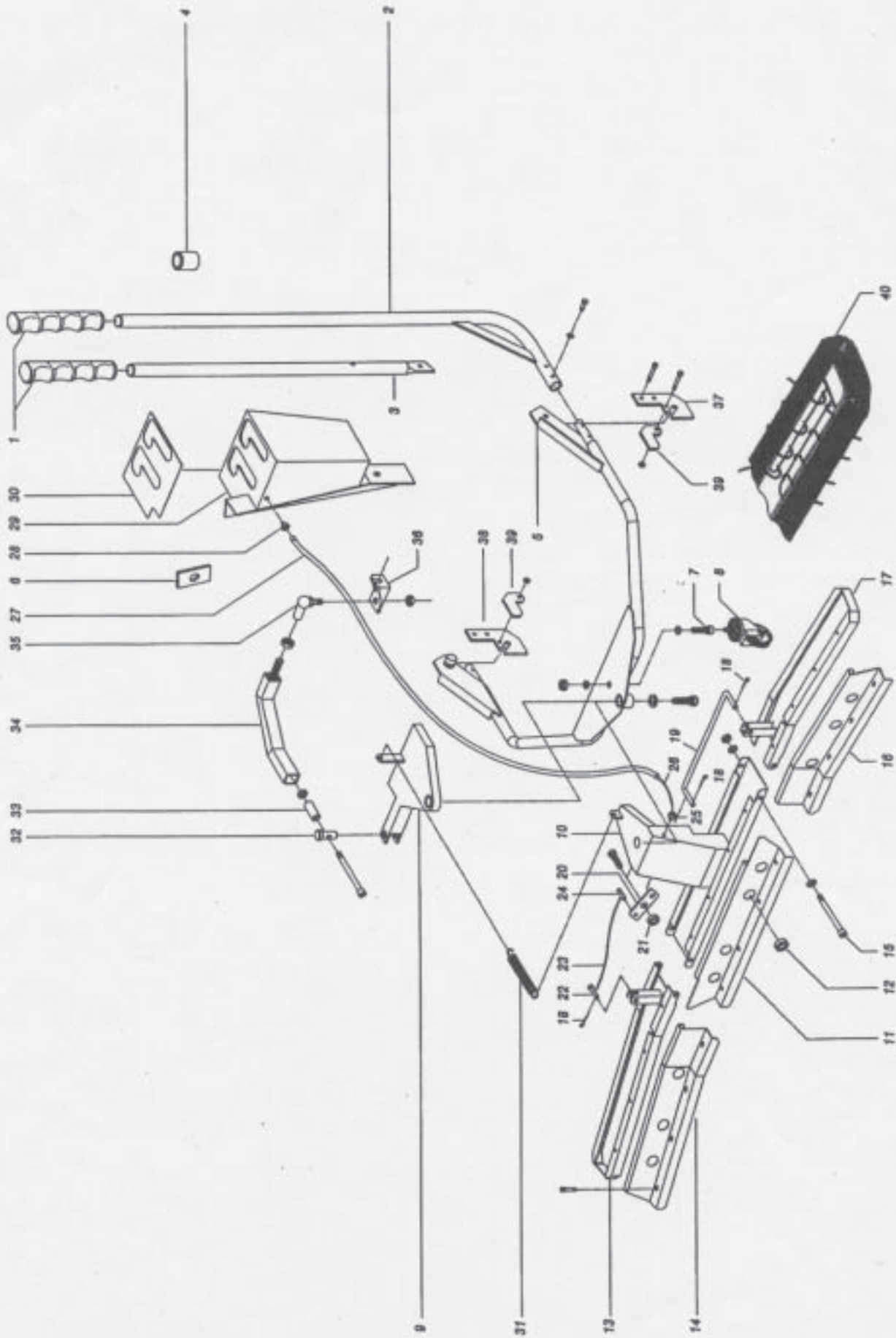


TABLE N° :
07 01997 000DESCRIPTION :
KIT SY 2-25 MCD.MCP 130 T.500

SPARE PARTS LIST

DATE :
29.11.00

REF. CODE	KIT	QTY	DESCRIPTION	DENOMINATION	BESCHREIBUNG	DESCRIPCION	DESCRIZIONE	TECHNICAL FEATURES	NOTES
1	30217	2	KNOB	POIGNEE	VERSTELLGRIF	MANOPLA	MANOPOLA	D. 20 L=115 MOP	
2	43386	1	CONTROL LEVER	LEVIER CONTROLE	STEUERUNG HEBEL	PALANCA MANDO	LEVA COMANDO	MCP 130 T.300	
3	42976	1	LEVER	LEVIER	HEBEL	PALANCA	LEVA	M.MCP 130 2V.	
4	43429	2	BUSHING	BOUILLE	BOCHSE	MANGUITO	BOCCOLA	D. 20X22X30 A.LUB. IGL.G	
5	43399	1	TUBULAR FRAME	CHASSIS TUBOL.	KORPERFUR.FAMHG	CRASIS TUBULAR	TELAIO TUBOLARE	MCP 130 T3	
6	03882	1	PROG	EMBOU	SPITZ	PUNTAL	PUNTALE	D.20 L.02.117	
7	30558	1	EXTENSION	RALLONGE	VERLÄNGERUNG	PROLONGACION	PROLUNGA	M10-M 8 MOP 130	
8	30144	1	TURNING WHEEL	ROUE PIVOTANTE	DREHHAES RAD	RUEDA	RUOTA PIVOTTAN.	D. 50 M 8	
9	34142	1	PLATE	PLAQUE	PLATTE	SOPORTE	PIASTRA	MCP 130	
10	42969	1	SLIDE	PATIN	GLEITFUHRUNG	PATIN	PATTINO	MCP 130 2V.CT	
11	30155	1	SUPPORT PLATE	PLAQUE SUPPORT	PLATTE HALTER	SOPORTE	PIASTRA SUPP.	MCP 130	
12	00248	10	PAIR-LEAD	PASSAGE P. FIL	DRABTVERCHANG	PASAJLO	PASSAFILO	D.15-22	
13	42982	1	SLIDE	PATIN	GLEITFUHRUNG	PATIN	PATTINO	MCP 130 DX 2V.	
14	30161	1	SUPPORT PLATE	PLAQUE SUPPORT	PLATTE HALTER	SOPORTE	PIASTRA SUPP.	MCP 130 DX	
15	30219	2	SCREW	VIS	SCHRAUBE	TORNILLO	VITE	TCEI M 8X110 UNI 5931	
16	30163	1	SUPPORT PLATE	PLAQUE SUPPORT	PLATTE HALTER	SOPORTE	PIASTRA SUPP.	MCP 130 SX	
17	30159	1	SLIDE	PATIN	GLEITFUHRUNG	PATIN	PATTINO	MCP 130 SX	
18	13514	3	SPLIT PIN	GOUPILLE	SPLINT	CLAVETA	COPIGLIA	D. 2X20 UNI 1336	
19	42972	1	CONTROL ROD	TIGE D.CONTROLE	KONTROL. STANGE	VARILLA D.COMT.	ASTA COMANDO	M.MCP 130 2V.	
20	42974	1	LEVER	LEVIER	HEBEL	PALANCA	LEVA	M.MCP 130 2V.	
21	42957	1	SPACER	ENTRETOISE	DISTANZSTUCK	SEPARADOR	DISTANZIALE	D. 9-12 L= 4.5 INK	
22	30221	1	PLUG	GOUPILLE	STIFT	PASADOR	SPINA	MCP 130	
23	43035	1	CORD	CORDE	KELEINS	CUERDA	CORDA	D.2,5 X 240	
24	13590	2	CLAMP	BORME	KELEME	PRENS. SUJECION	MORSETTO	VT 8X11 M5 LOGY 700	
25	28891	1	SOLID BOX	FOURREAU	EULSE	BRUJULA	BUSSOLA	D. 9.7X15 - D.5F D.3	
26	30148	1	CORD	CORDE	KELEINS	CUERDA	CORDA	D. 2.5 L=1360	
27	30147	1	SHEATH	GAINE	MANTEL	VAJINA	GUAINA	3.5X8 L.1050 MOP 130	
28	30150	1	REGISTER	REGLEUR	KLAPPE	REGISTRO	REGISTRO	CH.12X 8MAX35 D.5	
29	43405	1	CONTROL COVER	PROTEC.CONTROLE	STEUERINGSDECK.	TAPA MANDOS	SCATOLA COPRIC.	MCP 130 T.300	
30	43166	1	LABEL	ETIQUETTE	ETIQUETTE	ETIQUETA	ETIQUETTA	MCP 11 T.500 PVC R	
31	30145	1	SPRING	RESSORT	FEDER	MUELLE	MOLLA	D. 20.5 X85 X2.5 MOP	
32	34140	1	PIN	PIVOT	LAPPEN	PERNO	PERNO	MCP 130	

TABLE N° :
07 01997 000DESCRIPTION :
KIT SY 2-25 MCD.MCP 130 T.500

SPARE PARTS LIST

DATE :
29.11.00

REF. CODE	KIT	QTY	DESCRIPTION	DENOMINATION	BESCHREIBUNG	DESCRIPCION	DESCRIZIONE	TECHNICAL FEATURES	NOTES
33	34138	1	SPACER	ENTRETOISE	DISTANZSTUCK	SEPARADOR	DISTANZIALE	D. 10-12 L= 31 INK	
34	34137	1	LEVER ARM	LEVIER	ARM	BRACO	BRACCETTO	MCP 130	
35	34040	1	ARTICULATION	JOINT A ROTULES	GELENK	SNODO	SNODO	AS MB	
36	43389	1	BRACKET	ETRIER	BUGEL	GRAPA	STAFFA	MCP T.300	
37	43407	1	PLATE	PLAQUETTE	PLATTCHEN	SOPORTITO	PIASTRINA	MCP T.300	
38	43391	1	PLATE	PLAQUETTE	PLATTCHEN	SOPORTITO	PIASTRINA	MCP 130 SX T.3	
39	43393	1	PLATE	PLAQUETTE	PLATTCHEN	SOPORTITO	PIASTRINA	MCP 130 DX T.3	
40	30135	2	HOOK	CHOCNET	HAKEN	GANCIO	GANCIO	MCP 130	
41	30048	1	MCP	MCP	MCP	MCP	MCP	130 Ca	

KIT SY 2 - 10

ISTRUZIONI PER MONTAGGIO - ASSEMBLY INSTRUCTION

