



IPC Integrated Professional Cleaning

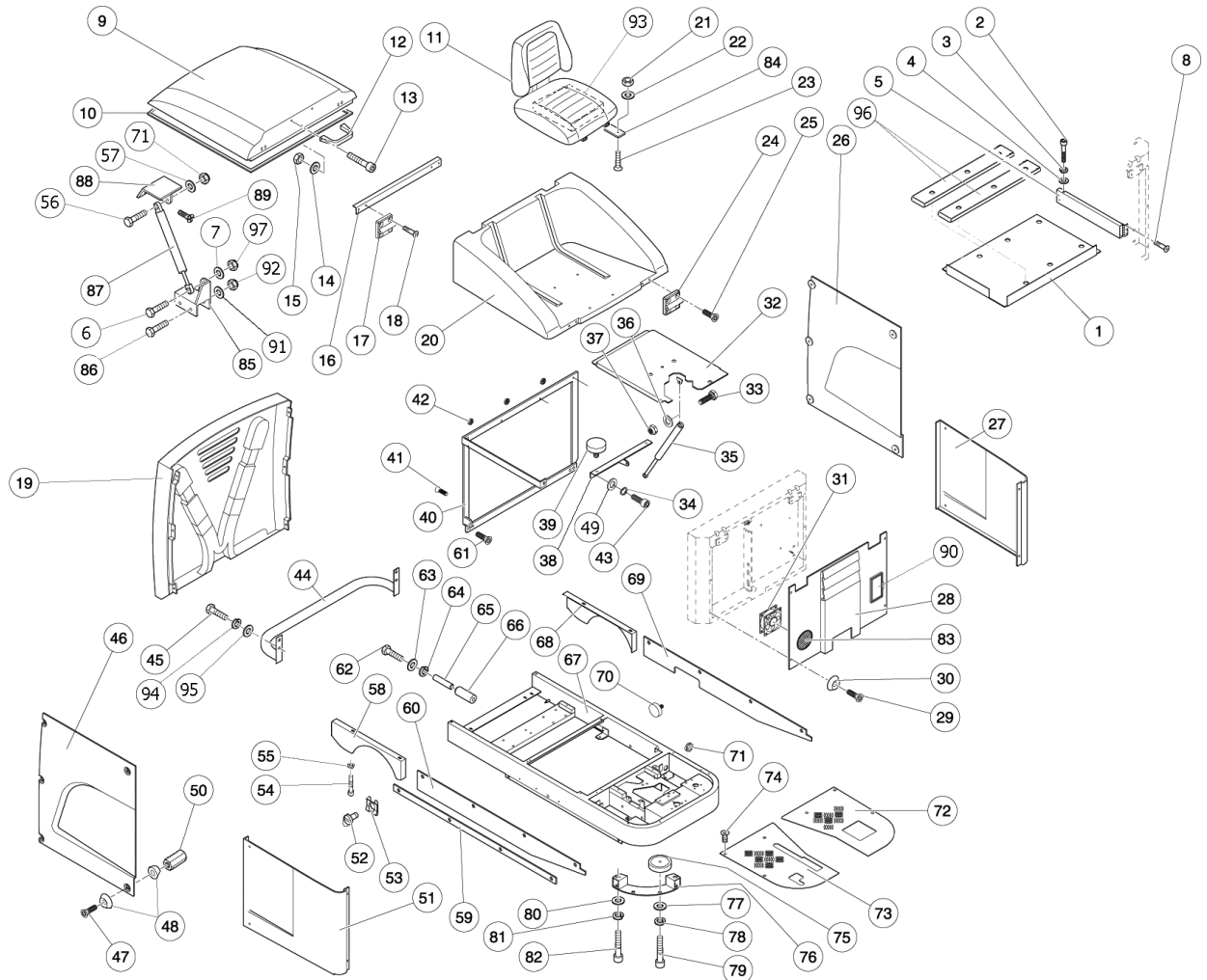
IPC Gansow

Spare Parts List

IPC . EAGLE

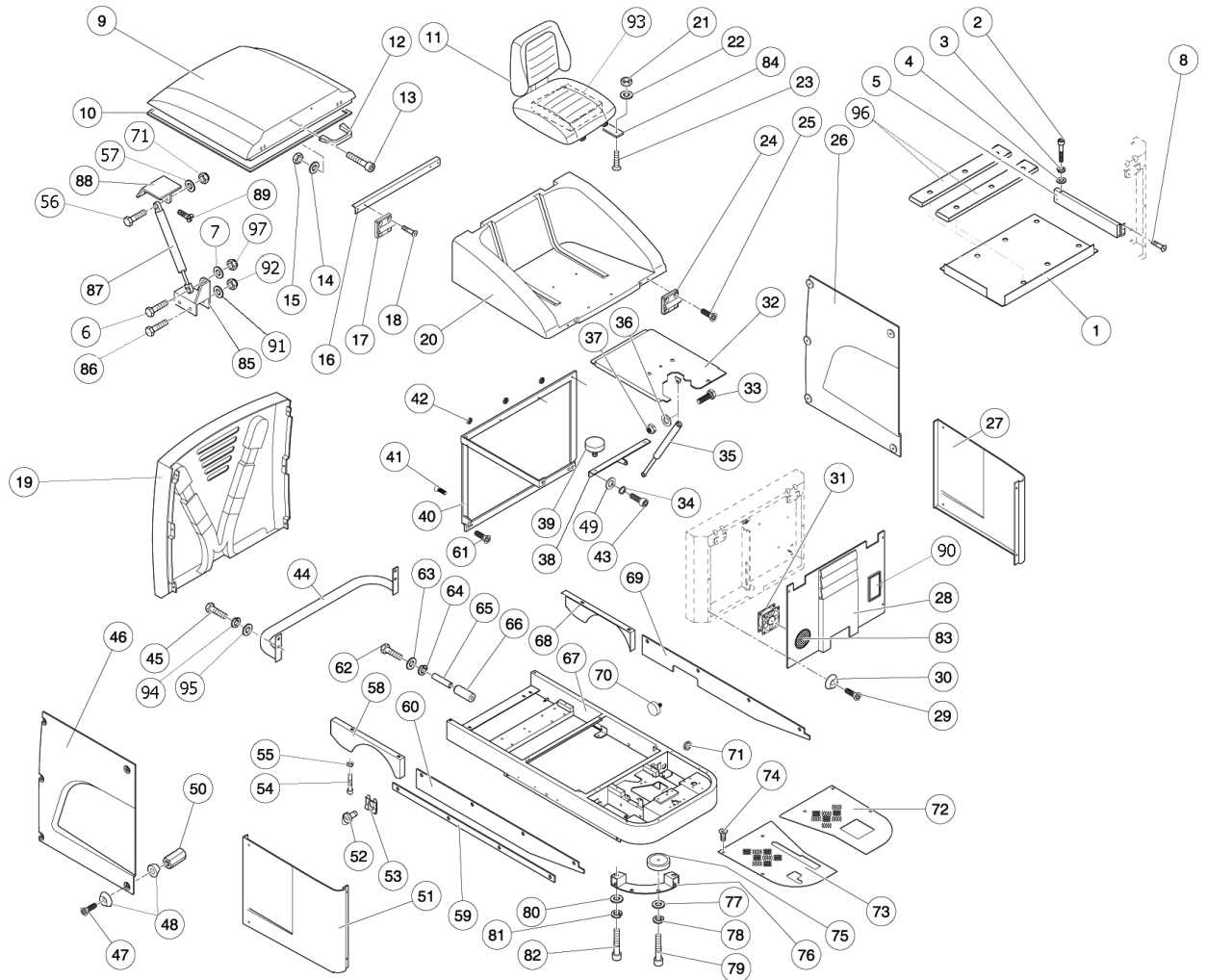
Ref: LPTB48927

Model: LAVASCIUGA TITAN 142 BF 82 3-01GSW



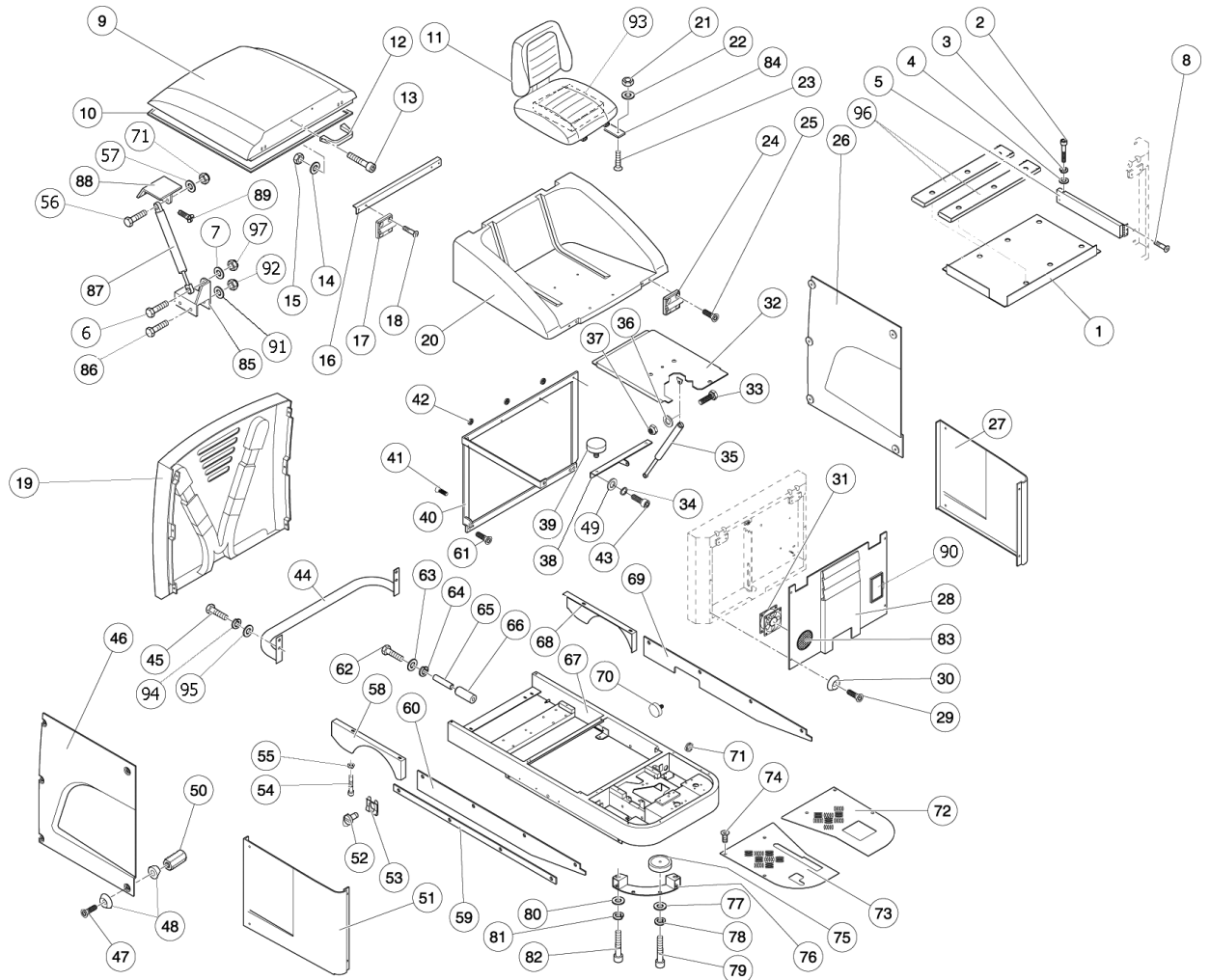
ISM00076

Ref. K	Part N.	Customer Part N.	Description	Qty	Validity: From To	Price
0001	LAFN02755		SUPPORT	1,00	--	--
0002	VTVT01324		SCREW TCEI M 6X80 UNI 5931 INX	1,00	--	--
0003	VTRS15144		WASHER D. 6 INX GRW UNI 1751	1,00	--	--
0004	VTRS13945		WASHER D. 6X18 INX UNI 6593	1,00	--	--
0005	LAFN02762		PROTECTION BATTERY	1,00	--	--
0006	VTVT13938		SCREW TE 8X20 UNI5739 INX	1,00	--	--
0007	VTRS13947		WASHER D. 8 INX UNI 6592	1,00	--	--
0008	VTVT13940		SCREW M 6X 20 TSPEI UNI 5933	1,00	--	--
0009	MPVR01445		COVER TANK	1,00	--	--
0010	MPVR00051		MOUSSE 15X5	2,24	--	--
0011	SESD00010		SEAT	1,00	--	--
0012	MPVR01499		HANDLE	1,00	--	--
0013	VTVT00426		SCREW TCEI 8X35 UNI5931	2,00	--	--
0014	VTRS13946		WASHER D. 8 X24 INX UNI 6593	2,00	--	--
0015	VTDD01695		NUT M 8 INX	2,00	--	--
0016	LAFN02756		REINFORCEMENT	1,00	--	--
0017	CEVR00044		HINGE	2,00	--	--
0018	VTVT30247		SCREW TSPEI M 6X 50 UNI 5933	4,00	--	--
0019	MPVR01447		BACK PANEL TANK	1,00	--	--
0020	MPVR01453		BONNET SEAT	1,00	--	--
0021	VTDD15521		NUT M 8 INX A2 UNI 5588	4,00	--	--
0022	VTRS00518		WASHER D. 8	4,00	--	--
0023	VTVT00179		SCREW TSPEI M 8X30	4,00	--	--
0024	CEVR00044		HINGE	2,00	--	--
0025	VTVT30246		SCREW TSPEI M 6X 30 UNI 5933	4,00	--	--
0026	MPVR01449		PANEL POSTERIOR LATERAL LEFT	1,00	--	--
0027	MPVR01451		PANEL FRONT LATERAL LEFT	1,00	--	--
0028	MPVR01452		ANT. PANEL	1,00	--	--
0029	VTVT13940		SCREW M 6X 20 TSPEI UNI 5933	4,00	--	--
0030	VTRS00118		WASHER D.6,4x16x13x4,5	4,00	--	--
0031	MEVR00917		VENTILATOR	1,00	--	--
0032	LAFN02806		PLATE SEAT BONNET	1,00	--	--
0033	VTVT13938		SCREW TE 8X20 UNI5739 INX	1,00	--	--
0034	VTRS15144		WASHER D. 6 INX GRW UNI 1751	2,00	--	--
0035	MLML00092		GAS SPRING 20 KG	1,00	--	--
0036	VTRS13947		WASHER D. 8 INX UNI 6592	1,00	--	--
0037	VTDD01696		NUT M 8 INX	1,00	--	--
0038	LAFN02736		CORNER PIECE	1,00	--	--
0039	ABGO00026		VIBRATION DAMP.	2,00	--	--



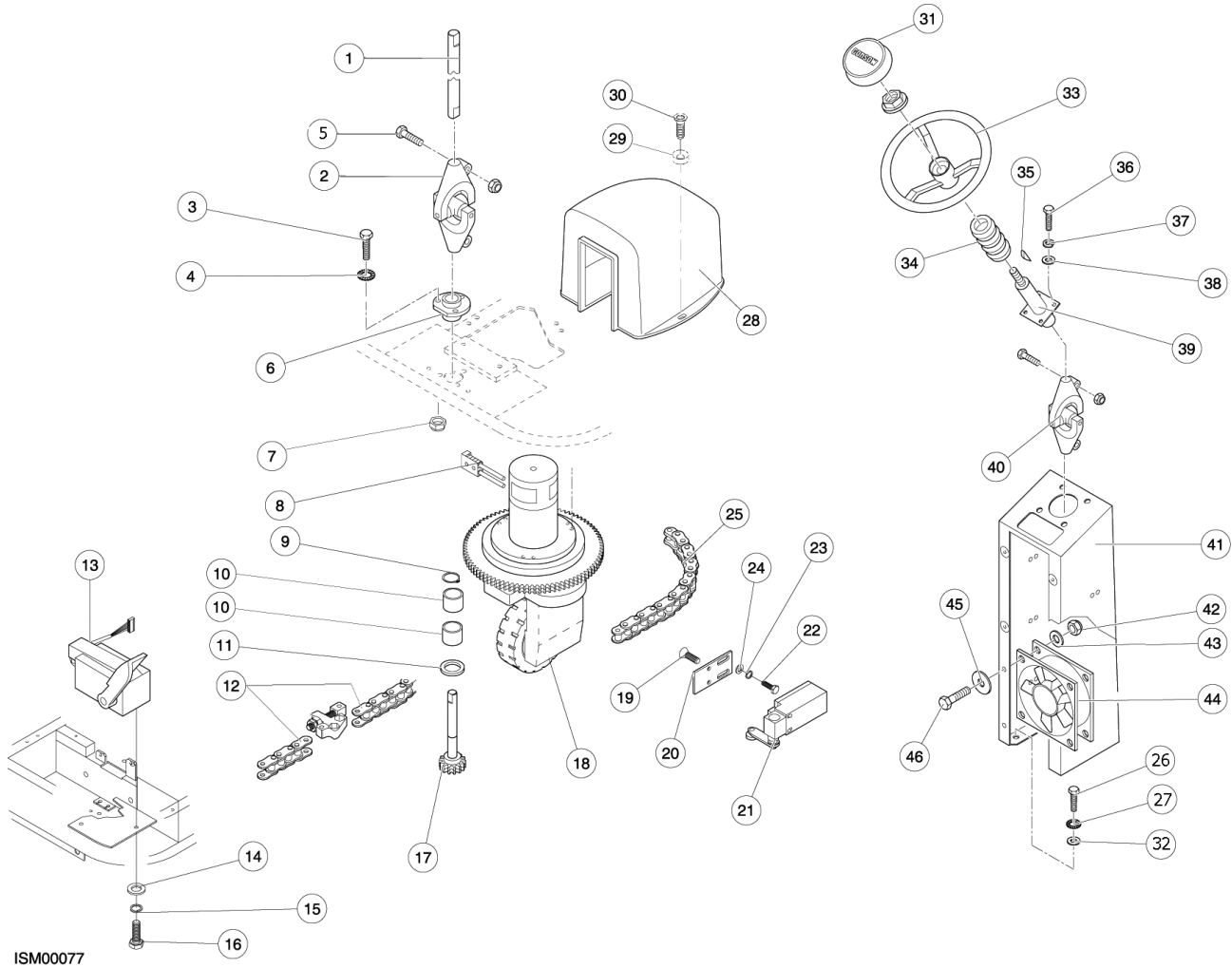
ISM00076

Ref. K	Part N.	Customer Part N.	Description	Qty	Validity: From To	Price
0040	LAFN02752		SUPPORT	1,00		--
0041	VTVT00832		SCREW TSPEI M6X16 INOX	1,00		--
0042	ETET00149		PROTECTION	3,00		--
0043	VTVT00428		SCREW TCEI 6X20 UNI5931 INX	2,00		--
0044	LAFN02811		BACK BUMPER	1,00		--
0045	VTVT00425		SCREW TCEI "R" M8x20 DIN7984 A2	4,00		--
0046	MPVR01448		PANEL POSTERIOR LATERAL RIGHT	1,00		--
0047	VTVT13940		SCREW M 6X 20 TSPEI UNI 5933	10,00		--
0048	VTRS00118		WASHER D.6,4x16x13x4,5	12,00		--
0049	VTRS13945		WASHER D. 6X18 INX UNI 6593	1,00		--
0050	MPVR01570		SPACER M6 H=30	2,00		--
0051	MPVR01450		PANEL ANTERIOR LATERAL RIGHT	1,00		--
0052	LAFN01320		PIN	8,00	07/2006	--
0053	VTDD00031		FASTENER	8,00	07/2006	--
0054	VTVT00428		SCREW TCEI 6X20 UNI5931 INX	4,00		--
0055	VTRS15144		WASHER D. 6 INX GRW UNI 1751	4,00		--
0056	VTVT13938		SCREW TE 8X20 UNI5739 INX	1,00		--
0057	VTRS13947		WASHER D. 8 INX UNI 6592	1,00		--
0058	LAFN02719		CRANKCASE POSTERIOR RIGHT	1,00		--
0059	LAFN02721		PLATE HOLD INFERIOR PROTECTION	2,00	07/2006	--
0060	MPVR01463		PROTECTION LATERAL RIGHT	1,00	07/2006	--
0061	VTVT00299		SCREW TSPEI M6x25 UNI5933	4,00		--
0062	VTVT01310		SCREW TCEI 8X60 INOX UNI5931	2,00		--
0063	VTRS15146		WASHER D. 8 INX GRW UNI 1751	2,00		--
0064	VTRS13947		WASHER D. 8 INX UNI 6592	2,00		--
0065	LAFN01639		SPACER 8x12 L=41.5	2,00		--
0066	LAFN02740		ROLLER	2,00		--
0067	LAFN87646		FRAME TITAN 142	1,00		--
0068	LAFN02720		CRANKCASE POSTERIOR LEFT	1,00		--
0069	MPVR01462		PROTECTION LATERAL LEFT	1,00	07/2006	--
0070	ABGO00026		VIBRATION DAMP.	2,00		--
0071	VTDD15521		NUT M 8 INX A2 UNI 5588	1,00		--
0072	LAFN02750		PLANE	1,00		--
0073	LAFN02751		PLANE	1,00		--
0074	VTVT00832		SCREW TSPEI M6X16 INOX	6,00		--
0075	RTRT00012		WHEEL SCIOLTA 75/M/G	4,00		--
0076	LAFN02816		PLATE	2,00		--
0077	VTRS13946		WASHER D. 8 X24 INX UNI 6593	4,00		--
0078	VTRS15146		WASHER D. 8 INX GRW UNI 1751	4,00		--



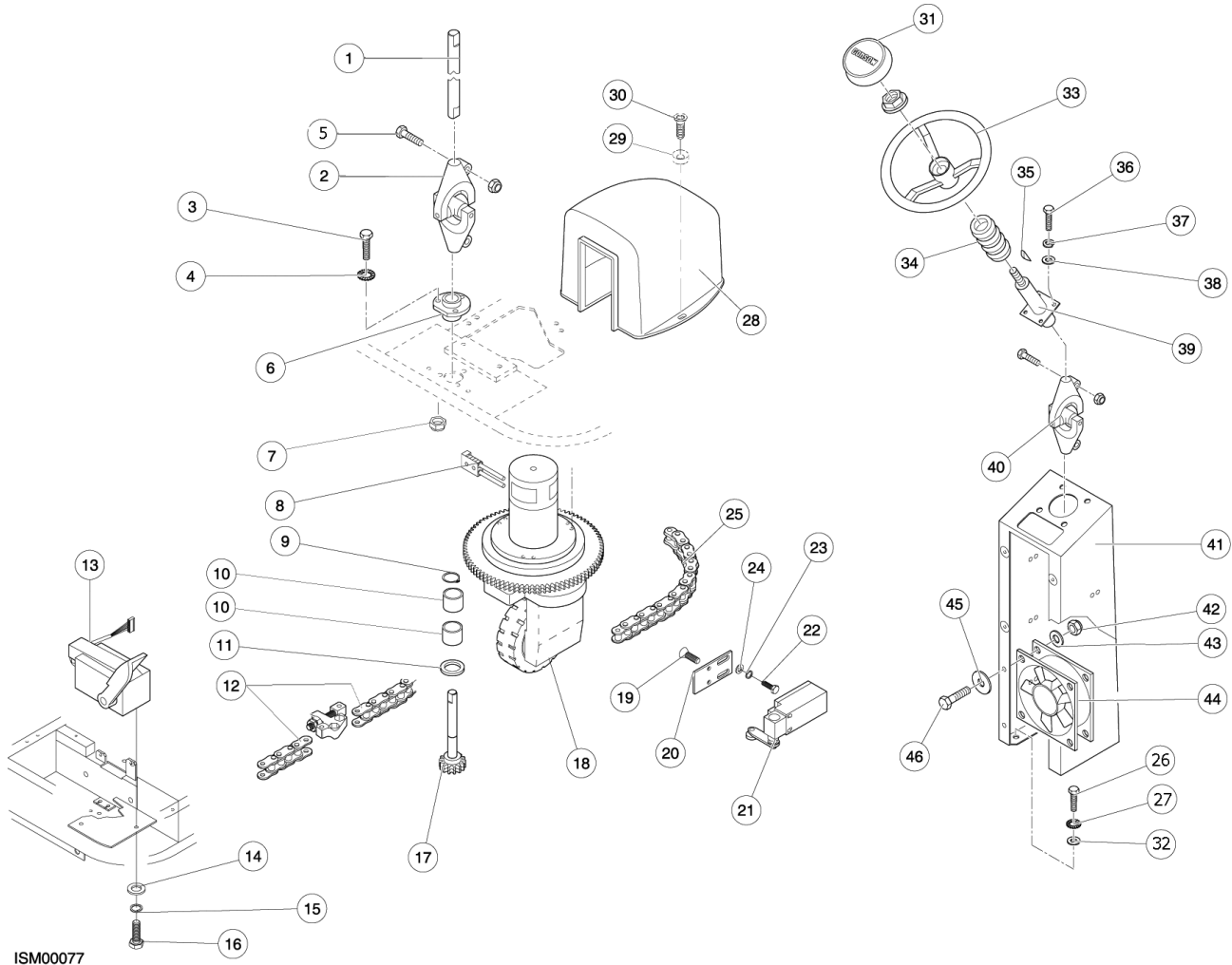
ISM00076

Ref.	K	Part N.	Customer Part N.	Description	Qty	Validity:		Price
						From	To	
0079		VTVT01310		SCREW TCEI 8X60 INOX UNI5931	4,00			--
0080		VTRS13946		WASHER D. 8 X24 INX UNI 6593	4,00			--
0081		VTRS15146		WASHER D. 8 INX GRW UNI 1751	4,00			--
0082		VTVT01310		SCREW TCEI 8X60 INOX UNI5931	4,00			--
0083		LAFN02931		BRACKET FAN COOLER	1,00			--
0084		LAFN01719		PLATE	2,00			--
0085		LAFN02795		BRACKET	1,00			--
0086		VTVT00392		SCREW M6x35 UNI5739 inox	2,00			--
0087		MLML00093		GAS SPRING 20 KG	1,00			--
0088		LAFN02794		BRACKET	1,00			--
0089		VTVT00237		SCREW TEB 4.8X19 UNI 8117	2,00			--
0090		MEVR00232		DOOR TO REMOVE AND RESET FUSE	1,00			--
0091		VTRS07728		WASHER D. 6 INX	1,00			--
0092		VTDD15518		NUT M 6 INX	1,00			--
0093		MECI00113		MICROSWITCH SEAT	1,00			--
0094		VTRS15146		WASHER D. 8 INX GRW UNI 1751	1,00			--
0095		VTRS13947		WASHER D. 8 INX UNI 6592	1,00			--
0096		VTDD01696		NUT M 8 INX	1,00			--
0097		VTDD15521		NUT M 8 INX A2 UNI 5588	1,00			--



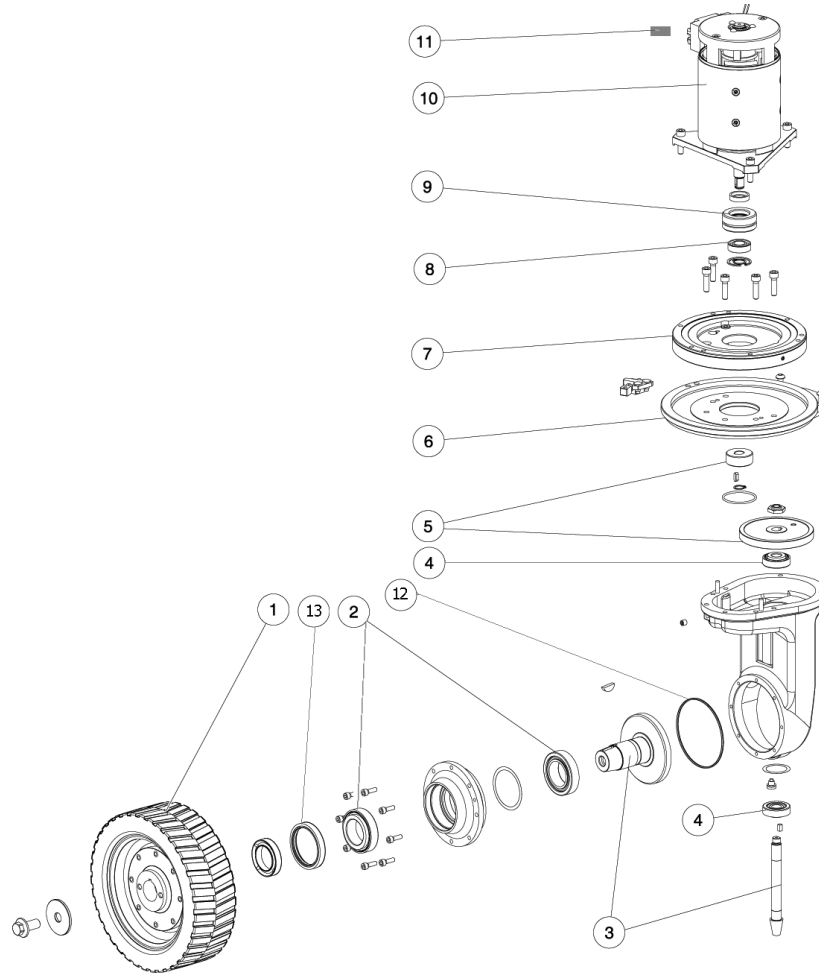
ISM00077

Ref. K	Part N.	Customer Part N.	Description	Qty	Validity:		Price
					From	To	
0001	ALTR00055		SHAFT STEERING	1,00			--
0002	MTIG00053		CARDANIC JOINT DIAMETER 17	1,00			--
0003	VTVT00448		SCREW TE 8X30 UNI5739	3,00			--
0004	VTRS01080		WASHER D. 8 GRW	3,00			--
0005	VTVT00450		SCREW TE 8X40 UNI5739	4,00			--
0006	LAFN01839		FLANGE	1,00			--
0007	VTDD00483		NUT M 8 ZIN UNI 5588	3,00			--
0008	MEVR00152		CONNECTOR SB 50A	1,00			--
0009	VTAE13512		CIRCLIP D. 17 UNI 7435	1,00			--
0010	LAFN02254		BUSHING	2,00			--
0011	VTRS00114		WASHER 17x35	1,00			--
0012	MTCR00039		JOINT LINK	2,00			--
0013	PIID00030		FEED PEDAL	1,00			--
0014	VTRS13947		WASHER D. 8 INX UNI 6592	3,00			--
0015	VTRS15146		WASHER D. 8 INX GRW UNI 1751	3,00			--
0016	VTVT13944		SCREW TCEI M 8X20 UNI 5931 INX	3,00			--
0017	MTIG00050		PINION STEERING UNIT	1,00			--
0018	MOCC00118		DRIVE ASSEMBLY D.250 24V TV-85	1,00			--
0020	LAFN02718		BRACKET MICROSWITCH	1,00			--
0021	MECI00128		MICROSWITCH AZ8104	1,00			--
0025	MTCR00028		CHAIN 5/8"-3/8" 53 PITCH	1,00			--
0026	VTVT00446		SCREW TE 8X20 UNI5739	4,00			--
0027	VTRS01080		WASHER D. 8 GRW	4,00			--
0028	MPVR01459		PROTECTION TRACTION MOTOR	1,00			--
0029	VTRS00119		WASHER UN.SCREWBLACK	2,00			--
0030	VTVT00225		SCREW TSPEI M4x16 UNI5933	2,00			--
0031	RCVR00146		CAP with label "GANSOW"	1,00			--
0032	VTRS00512		WASHER D. 8 X24 ZC.	4,00			--
0033	MPVR47027		STEERING WHEEL D. 320 L.14	1,00			--
0034	MPVR01496		PROTECTOR	1,00			--
0035	VTVR00299		WOODRUFF KEYS 6x40 UNI6606 ISO3912	1,00			--
0036	VTVT00446		SCREW TE 8X20 UNI5739	4,00			--
0037	VTRS01080		WASHER D. 8 GRW	4,00			--
0038	VTRS00512		WASHER D. 8 X24 ZC.	4,00			--
0039	ALTR00056		COLUMN steering	1,00			--
0040	MTIG00053		CARDANIC JOINT DIAMETER 17	1,00			--
0041	LAFN02739		COLUMN	1,00			--
0042	VTDD00055		NUT M 4 ATB A2	4,00			--
0043	VTRS00515		WASHER D. 4 INX	4,00			--



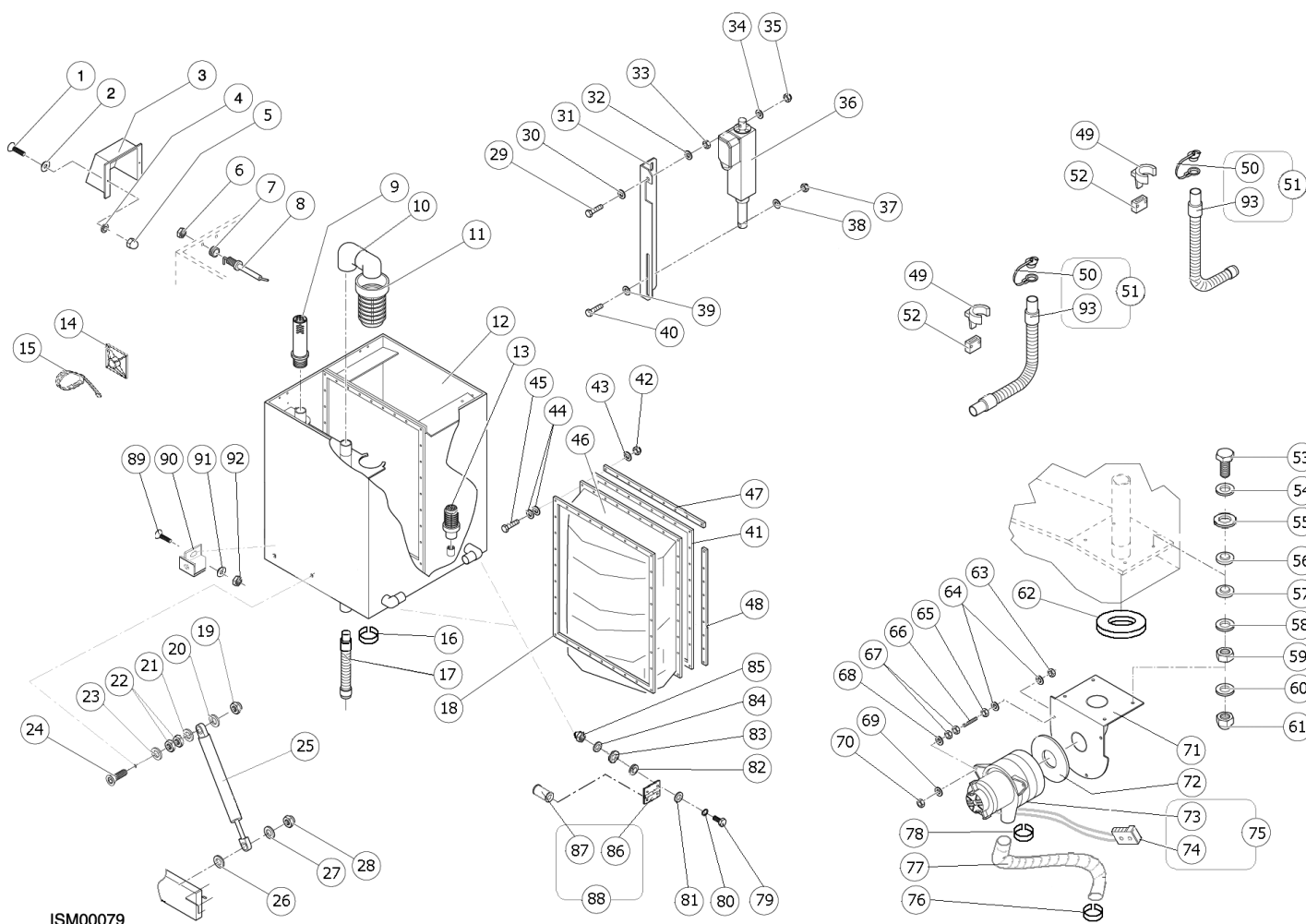
ISM00077

Ref. K	Part N.	Customer Part N.	Description	Qty	Validity:		Price
					From	To	
0044	MEVR00916		VENTILATOR	1,00			--
0045	VTRS05904		WASHER D. 4 X16 2.083	4,00			--
0046	VTVT01312		SCREW TSPEI 4X50 UNI5933 INX	4,00			--



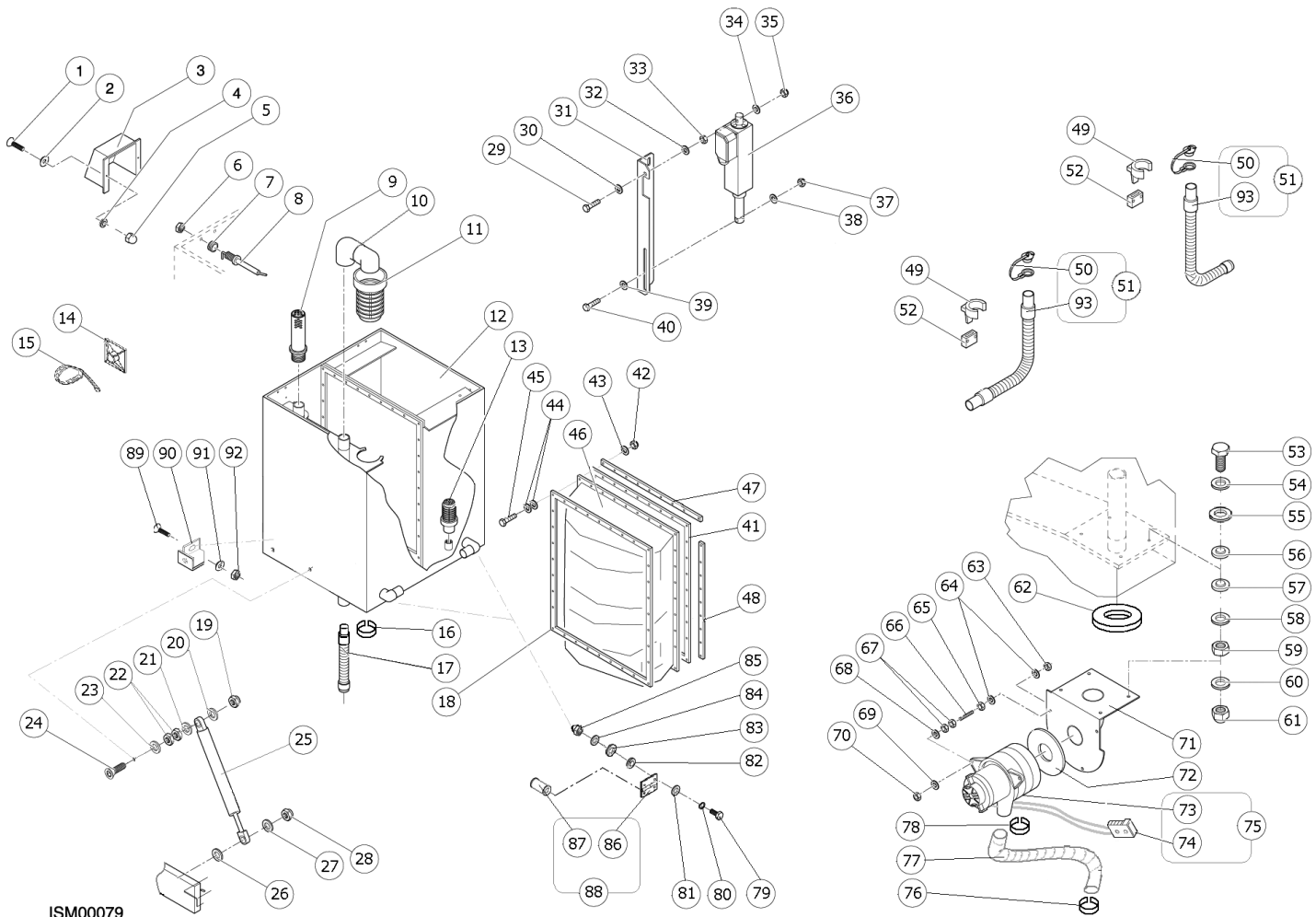
ISM00078

Ref. K	Part N.	Customer Part N.	Description	Qty	Validity:		Price
					From	To	
0001	RTRT00370		FORE WHEEL MODEL 142BF70/82	1,00			--
0002	CUVR00166		ROLLER BEARING 40x68x19 32008X 50031	2,00			--
0003	MTIG00019		GEAR DENTATO RIDUT.ECOL BRONZO	1,00			--
0004	CUVR00165		ROLLER BEARING 15x42x14.25 30302J2 50032	2,00			--
0005	MTIG00118		GEAR Z71 + Z24	1,00			--
0006	LAFN10083		FLANGE	1,00			--
0007	LAFN10082		THRUST BLOCK TV-85	1,00			--
0008	CUVR00167		BALL BEARING 17x35x10 50052	1,00			--
0009	CUVR00168		RING COD.2123	1,00			--
0010	MOCC00269		MOTOR 700 W SEM	1,00			--
0011	MEVR34439		CARBON 10X18X19	4,00			--
0012	MPVR07011		TANK SOLUZIONE CT75	1,00			--
0013	MPVR07012		TANK SOLUZIONE CT75	1,00			--



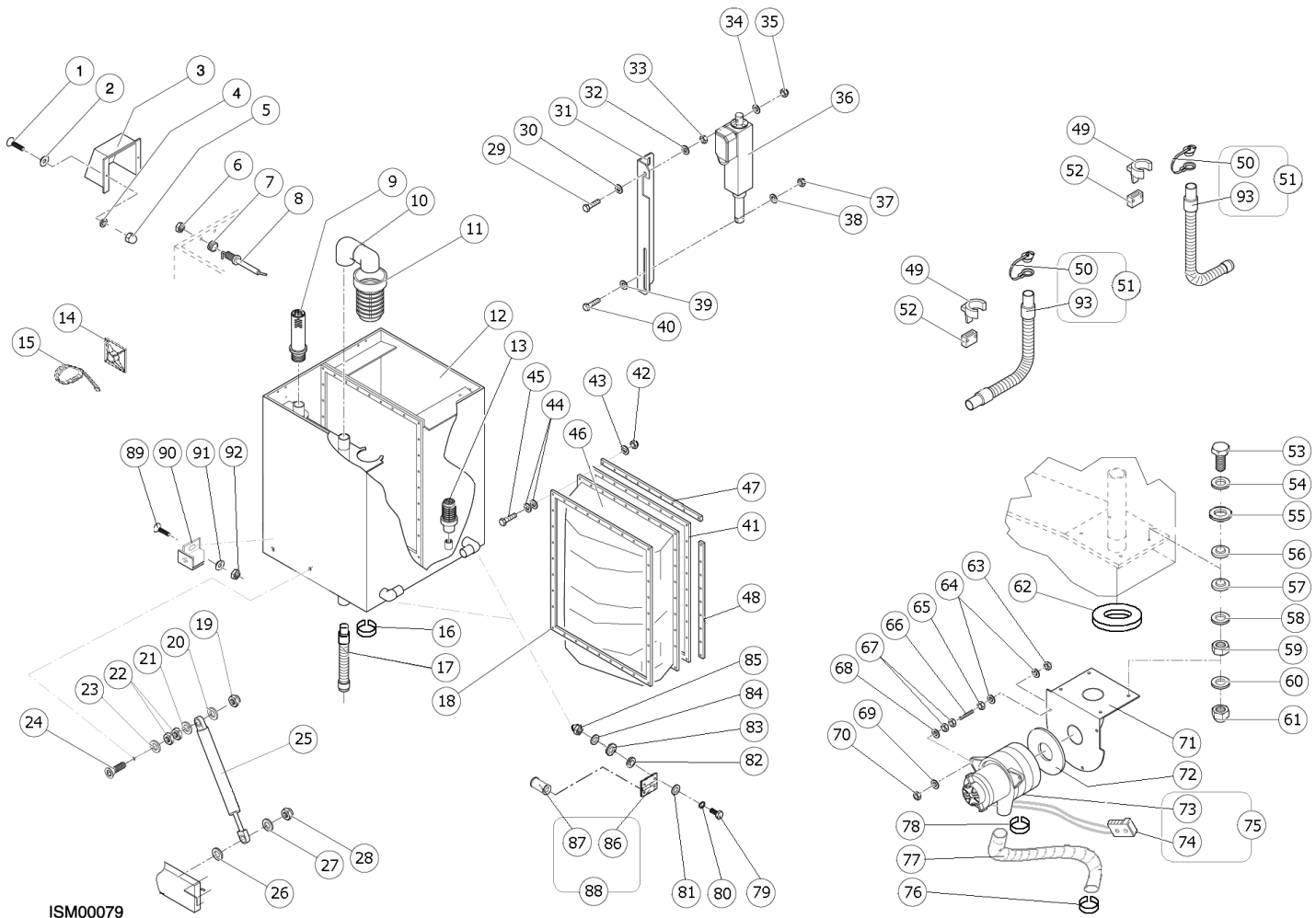
ISM00079

Ref.	K	Part N.	Customer Part N.	Description	Qty	Validity:		Price
						From	To	
0001		VTVT25909		SCREW M 6X 25 TSPEI UNI 5933	2,00			--
0002		VTRS00118		WASHER D.6,4x16x13x4,5	2,00			--
0003		MPVR01135		COVER	1,00			--
0004		VTRS07728		WASHER D. 6 INX	2,00			--
0005		VTDD48188		NUT M 6 CIE. INX A2 UNI 5721	2,00			--
0006		MEVR00161		CABLE CLAMP PG7 H 1007	2,00			--
0007		GUVR00034		GASKET electrodes	2,00			--
0008		MECI00386		ELECTRODE 62-88-70-97-119	2,00			--
0009		MPVR01049		FILTER AIR INLET	1,00			--
0010		FSVR00018		HOSE COLLAR 180°	1,00			--
0011		KTRI15043		WATER FILTER DIRTY INLET TANK	1,00			--
0012		MPVR01133		TANK	1,00			--
0013		FTAC00001		FILTER 1/2"	1,00			--
0014		MECE00246		TERMINAL BOARD 25X25	10,00			--
0015		FSVR00052		CLAMP 2,5X100	10,00			--
0016		FSVR00033		CLAMP 45-60	1,00			--
0017		TBFX00050		TUBE LENGHT 520	1,00			--
0018		LAFN01423		Membrane's fram62-88-142	1,00			--
0019		VTDD15518		NUT M 6 INX	2,00			--
0020		VTRS07728		WASHER D. 6 INX	2,00			--
0021		VTRS07728		WASHER D. 6 INX	2,00			--
0022		VTDD15520		NUT M 6 A2 UNI 5588 INX	4,00			--
0023		VTRS07728		WASHER D. 6 INX	2,00			--
0024		VTVT29523		SCREW M 6X 35 TSPEI UNI 5933	2,00			--
0025		MLML00093		GAS SPRING 20 KG	2,00			--
0026		VTRS07728		WASHER D. 6 INX	2,00			--
0027		VTRS07728		WASHER D. 6 INX	2,00			--
0028		VTDD15518		NUT M 6 INX	2,00			--
0029		VTVT03639		SCREW TE 8X45 UNI5737	1,00			--
0030		VTRS00504		WASHER D. 8 TE ZC. UNI 6592	1,00			--
0031		LAFN02727		BRACKET	1,00			--
0032		VTRS00504		WASHER D. 8 TE ZC. UNI 6592	1,00			--
0033		VTDD00483		NUT M 8 ZIN UNI 5588	1,00			--
0034		VTRS00504		WASHER D. 8 TE ZC. UNI 6592	1,00			--
0035		VTDD00041		SELF-LOCJ.NUT M 8 UNI7473 8.8 ZNT	1,00			--
0036		MECE00174		ATUATOR 24V AO-01/M C100V55	1,00			--
0037		VTDD00491		NUT M 6 TEF	1,00			--
0038		VTRS04026		WASHER D. 6X18X2.38	1,00			--
0039		VTRS04026		WASHER D. 6X18X2.38	1,00			--



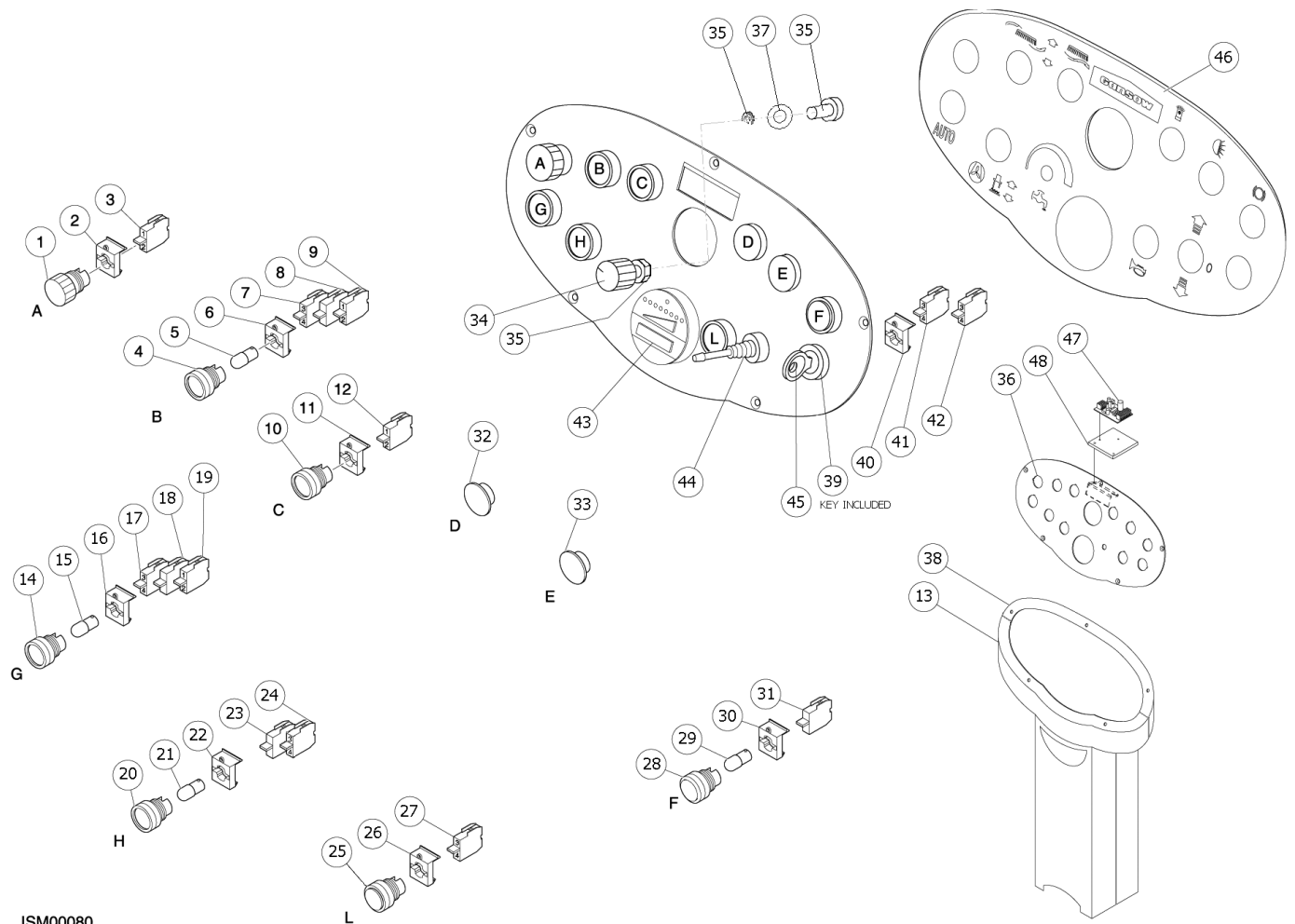
ISM00079

Ref. K	Part N.	Customer Part N.	Description	Qty	Validity:		Price
					From	To	
0040	VTVT00248		SCREW TE M&x45 UNI5739 8.8 ZNT	1,00			--
0041	KTRI01535		GASKET 62-88-142	1,00			--
0042	VTDD48188		NUT M 6 CIE. INX A2 UNI 5721	40,00			--
0043	VTRS07728		WASHER D. 6 INX	40,00			--
0044	VTRS07728		WASHER D. 6 INX	80,00			--
0045	VTVT00433		SCREW TE M 6X 30 UNI 5739 INX	40,00			--
0046	MPVR01129		MAMBRANE TANK	1,00			--
0047	LAFN10092		PLATE L=460	2,00			--
0048	LAFN02814		PLATE L=488	2,00			--
0049	MPVR01084		HOOK	2,00			--
0050	RCVR00126		CAP DRAIN HOSE	2,00			--
0051	TBFX00013		TUBE DRAINAGE L=800	2,00			--
0052	RCVR00115		HOOK	2,00			--
0053	VTVT00433		SCREW TE M 6X 30 UNI 5739 INX	4,00			--
0054	VTRS13945		WASHER D. 6X18 INX UNI 6593	4,00			--
0055	VTRS13947		WASHER D. 8 INX UNI 6592	4,00			--
0056	VTRS00052		WASHER D.6	4,00			--
0057	VTRS00052		WASHER D.6	4,00			--
0058	VTRS13945		WASHER D. 6X18 INX UNI 6593	4,00			--
0059	VTDD15520		NUT M 6 A2 UNI 5588 INX	4,00			--
0060	VTRS13945		WASHER D. 6X18 INX UNI 6593	4,00			--
0061	VTDD15518		NUT M 6 INX	4,00			--
0062	GUVR00027		RING VACUUM	1,00			--
0063	VTDD00482		NUT M 6 ZIN UNI 5588	3,00			--
0064	VTRS00503		WASHER D. 6 TE UNI 6798	6,00			--
0065	VTDD00482		NUT M 6 ZIN UNI 5588	3,00			--
0066	CMCV00186		TIE ROD	3,00			--
0067	VTDD00482		NUT M 6 ZIN UNI 5588	6,00			--
0068	VTRS00503		WASHER D. 6 TE UNI 6798	3,00			--
0069	VTRS04026		WASHER D. 6X18X2.38	3,00			--
0070	VTDD15518		NUT M 6 INX	3,00			--
0071	LAFN02800		SUPPORT TURBINE	1,00			--
0072	GUVR00027		RING VACUUM	1,00			--
0073	MOMO00025		TURBINE	1,00			--
0074	MEVR00152		CONNECTOR SB 50A	1,00			--
0075	KTRI15044		TURBINE WITH CONNECTOR	1,00			--
0076	FSVR00033		CLAMP 45-60	1,00			--
0077	TBFX00052		HOSE LENGHT = 540	1,00			--
0078	FSVR00033		CLAMP 45-60	1,00			--



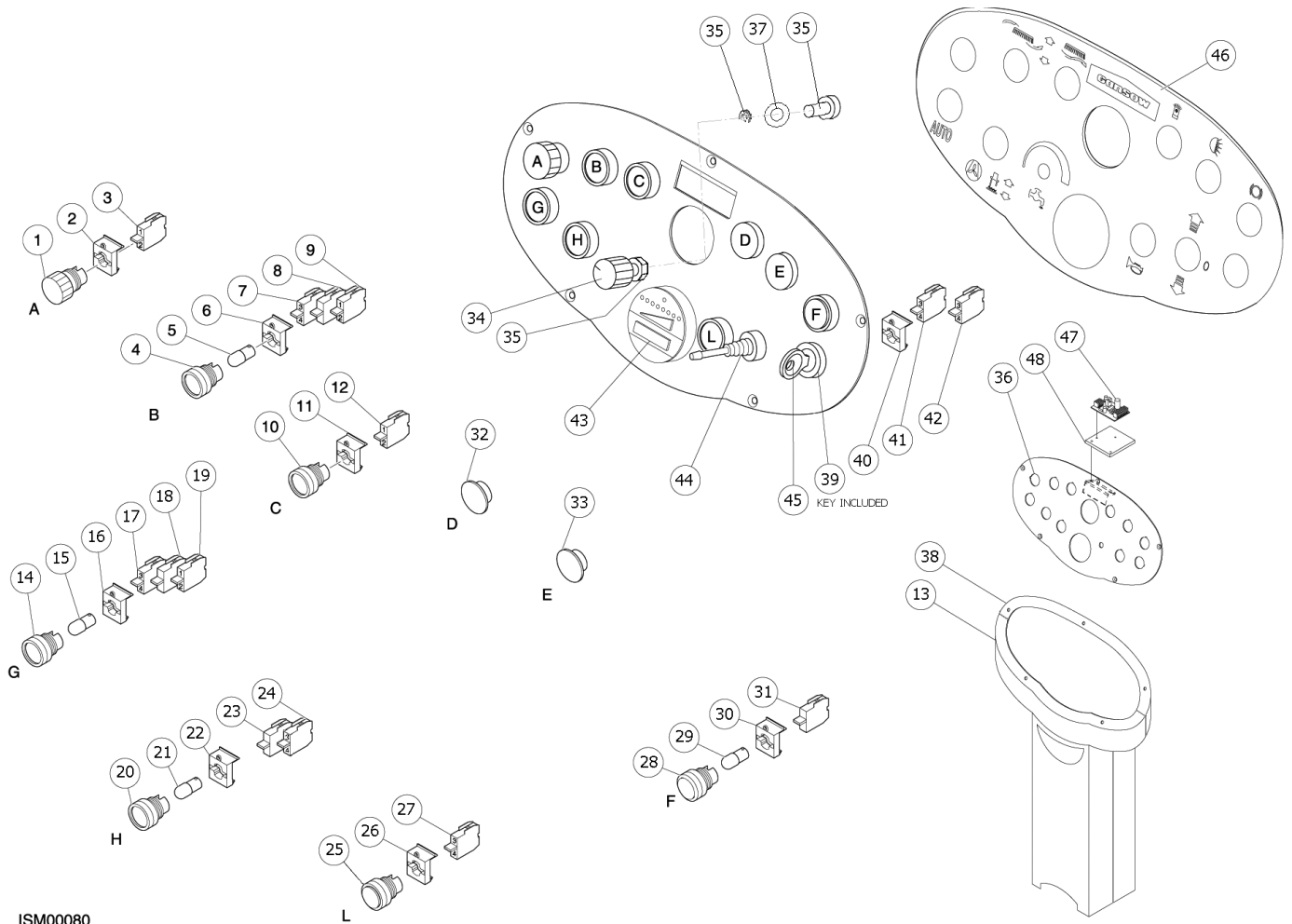
ISM00079

Ref. K	Part N.	Customer Part N.	Description	Qty	Validity:		Price
					From	To	
0079	VTVT00410		SCREW TE M8x35 UNI5739 INOX	4,00			--
0080	VTRS15146		WASHER D. 8 INX GRW UNI 1751	8,00			--
0081	VTRS13947		WASHER D. 8 INX UNI 6592	8,00			--
0082	VTRS00053		WASHER 8°	4,00			--
0083	VTRS15523		WASHER D.10 X21 INOX UNI 6592	4,00			--
0084	VTRS13947		WASHER D. 8 INX UNI 6592	4,00			--
0085	VTDD15911		NUT M8 UNI5721	4,00			--
0086	CEVR00040		HINGE	2,00			--
0087	VTVR00124		INSERT M8	4,00			--
0088	KTRI15045		HINGE WITH RIVET	2,00			--
0089	VTVT63134		SCREW M 8X25 TSPEI ZC UNI 5933	4,00			--
0090	LAFN02805		CORNER PIECE TANK	2,00			--
0090	VTRS01080		WASHER D. 8 GRW	4,00			--
0092	VTDD00483		NUT M 8 ZIN UNI 5588	4,00			--
0093	TBFX00053		TUBE DRAINAGE L=800	1,00			--



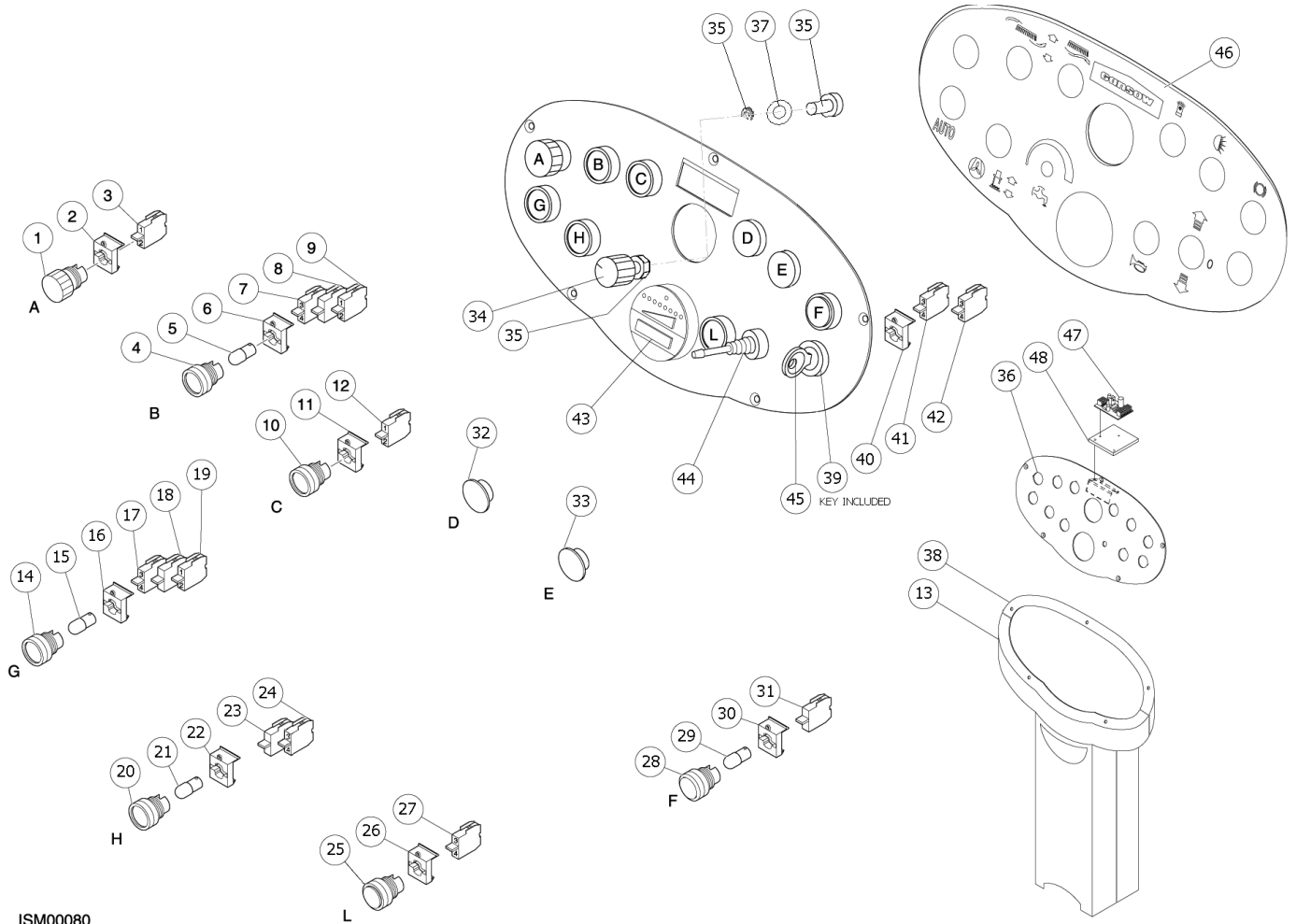
ISM00080

Ref.	K	Part N.	Customer Part N.	Description	Qty	Validity:		Price
						From	To	
0001		MECI00177		BUTTON EMERGENCY	1,00		10/2006	--
0001		MECI00527		STOP BUTTON	1,00	10/2006		--
0002		MECI00520		SMALL BASKET FIX TO FIX CONTACT	1,00	10/2006		--
0002		MPVR01566		PORTA CONTACTS	1,00		10/2006	--
0003		MECE00231		CONTACT NC	1,00		10/2006	--
0003		MECI00518		CONTACT NC	1,00	10/2006		--
0004		MECI00173		SWITCH GREEN	1,00		10/2006	--
0004		MECI00522		SWITCH GREEN	1,00	10/2006		--
0005		MEVR00905		LAMP 24V-2W BA 9s	1,00			--
0006		MECI00520		SMALL BASKET FIX TO FIX CONTACT	1,00	10/2006		--
0006		MPVR01566		PORTA CONTACTS	1,00		10/2006	--
0007		MECE00232		CONTACT NO	1,00		10/2006	--
0007		MECI00517		CONTACT NO 3-4	1,00	10/2006		--
0008		MECI00519		CONTACT LIGHT X1-X2	1,00	10/2006		--
0008		MEVR00904		LAMP SOCKET	1,00		10/2006	--
0009		MECE00231		CONTACT NC	1,00		10/2006	--
0009		MECI00518		CONTACT NC	1,00	10/2006		--
0010		MECI00183		BUTTON	1,00		10/2006	--
0010		MECI00523		BUTTON WHITE	1,00	10/2006		--
0011		MECI00520		SMALL BASKET FIX TO FIX CONTACT	1,00	10/2006		--
0011		MPVR01566		PORTA CONTACTS	1,00		10/2006	--
0012		MECE00231		CONTACT NC	1,00		10/2006	--
0012		MECI00518		CONTACT NC	1,00	10/2006		--
0013		MPVR01479		FRONT PANEL REAR SIDE	1,00			--
0014		MECI00174		SWITCH YELLOW	1,00		10/2006	--
0014		MECI00521		SWITCH YELLOW	1,00	10/2006		--
0015		MEVR00905		LAMP 24V-2W BA 9s	1,00			--
0016		MECI00520		SMALL BASKET FIX TO FIX CONTACT	1,00	10/2006		--
0016		MPVR01566		PORTA CONTACTS	1,00		10/2006	--
0017		MECE00232		CONTACT NO	1,00		10/2006	--
0017		MECI00517		CONTACT NO 3-4	1,00	10/2006		--
0018		MECI00519		CONTACT LIGHT X1-X2	1,00	10/2006		--
0018		MEVR00904		LAMP SOCKET	1,00		10/2006	--
0019		MECE00231		CONTACT NC	1,00		10/2006	--
0019		MECI00518		CONTACT NC	1,00	10/2006		--
0020		MECI00173		SWITCH GREEN	1,00		10/2006	--
0020		MECI00522		SWITCH GREEN	1,00	10/2006		--
0021		MEVR00905		LAMP 24V-2W BA 9s	1,00			--
0022		MECI00520		SMALL BASKET FIX TO FIX CONTACT	1,00	10/2006		--



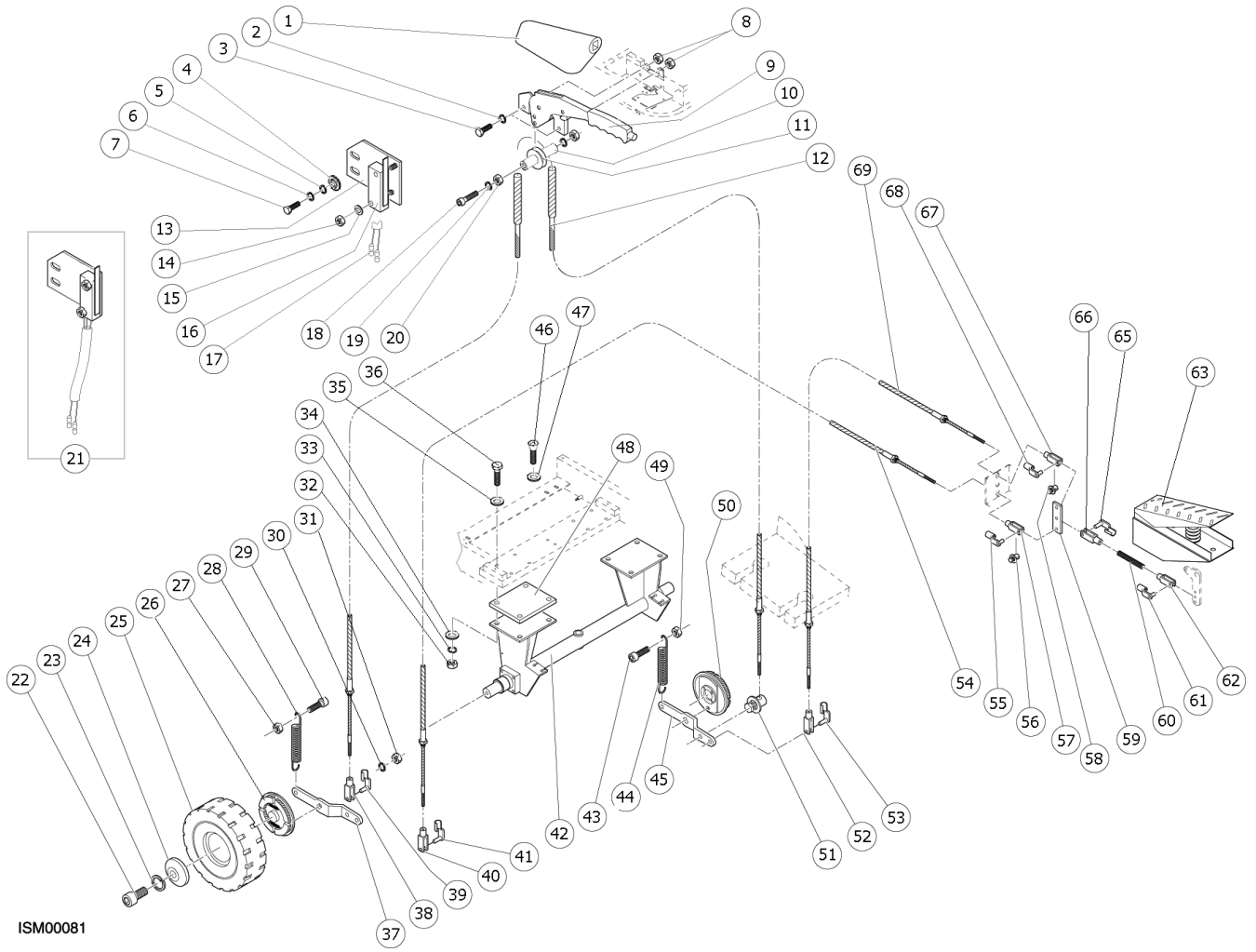
ISM00080

Ref.	K	Part N.	Customer Part N.	Description	Qty	Validity: From	To	Price
0022		MPVR01566		PORTA CONTACTS	1,00		10/2006	--
0023		MECI00519		CONTACT LIGHT X1-X2	1,00	10/2006		--
0023		MEVR00904		LAMP SOCKET	1,00		10/2006	--
0024		MECE00232		CONTACT NO	1,00		10/2006	--
0024		MECI00517		CONTACT NO 3-4	1,00	10/2006		--
0025		MECI00176		BUTTON	1,00		10/2006	--
0025		MECI00524		BUTTON GREEN	1,00	10/2006		--
0026		MECI00520		SMALL BASKET FIX TO FIX CONTACT	1,00	10/2006		--
0026		MPVR01566		PORTA CONTACTS	1,00		10/2006	--
0027		MECE00232		CONTACT NO	1,00		10/2006	--
0027		MECI00517		CONTACT NO 3-4	1,00	10/2006		--
0028		MECI00526		RED LIGHT	1,00	10/2006		--
0028		MEVR00902		LED RED	1,00		10/2006	--
0029		MEVR00905		LAMP 24V-2W BA 9s	1,00			--
0030		MECI00520		SMALL BASKET FIX TO FIX CONTACT	1,00	10/2006		--
0030		MPVR01566		PORTA CONTACTS	1,00		10/2006	--
0031		MECI00519		CONTACT LIGHT X1-X2	1,00	10/2006		--
0031		MEVR00904		LAMP SOCKET	1,00		10/2006	--
0032		MECI00529		CAP DIAMETER 22	1,00	10/2006		--
0032		RCVR00262		CAP DIAMETER 22	1,00		10/2006	--
0033		MECI00529		CAP DIAMETER 22	1,00	10/2006		--
0033		RCVR00262		CAP DIAMETER 22	1,00		10/2006	--
0034		MPVR01118		KNOB POTENTIOMETER	1,00			--
0035		MECI00046		POTENTIOMETER 24V 22KOhm	1,00			--
0036		LAFN02715		BOARD STEEL	1,00			--
0037		LAFN02937		SPACER 10.2X17X2	1,00			--
0038		MPVR01478		FRONT PANEL FRONT SIDE	1,00			--
0039		MECI00525		BLOCK KEY INCLUDED	1,00	10/2006		--
0039		MEVR00903		BLOCK KEY	1,00		10/2006	--
0040		MECI00520		SMALL BASKET FIX TO FIX CONTACT	1,00	10/2006		--
0040		MPVR01566		PORTA CONTACTS	1,00		10/2006	--
0041		MECE00232		CONTACT NO	1,00		10/2006	--
0041		MECI00517		CONTACT NO 3-4	1,00	10/2006		--
0042		MECE00232		CONTACT NO	1,00		10/2006	--
0042		MECI00517		CONTACT NO 3-4	1,00	10/2006		--
0043		MESB00025		HOURL-COUNTER BAUSER 24V TYPO 855 24VDC	1,00			--
0044		MECI00181		MANIPULATING	1,00			--
0046		ETET00403		ADHESIVE DASHBOARD 142	1,00			--
0047		MECE00121		BOARD	1,00			--



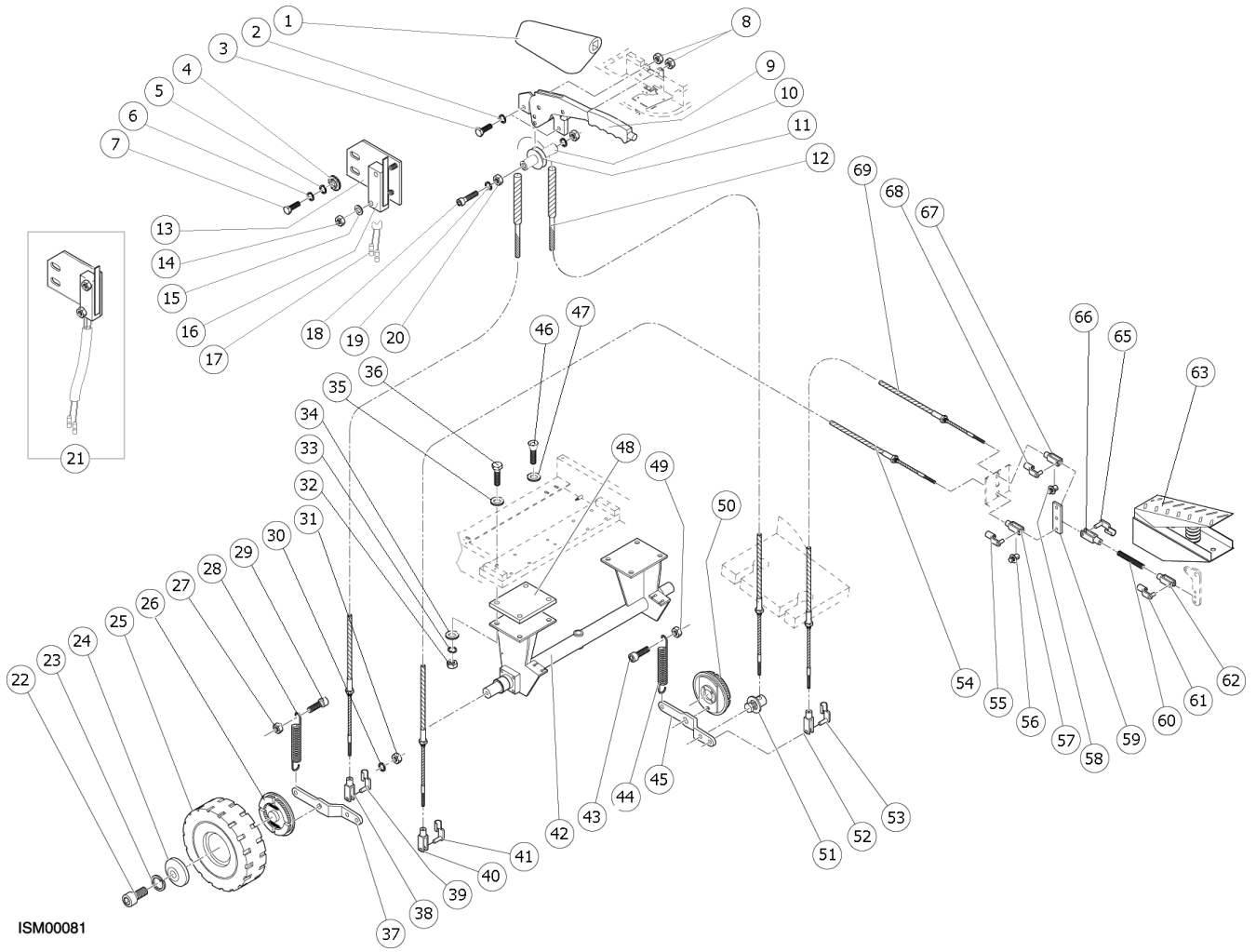
ISM00080

Ref. K	Part N.	Customer Part N.	Description	Qty	Validity:		Price
					From	To	
0048	LAFN02773		BRACKET DASHBOARD	1,00			--



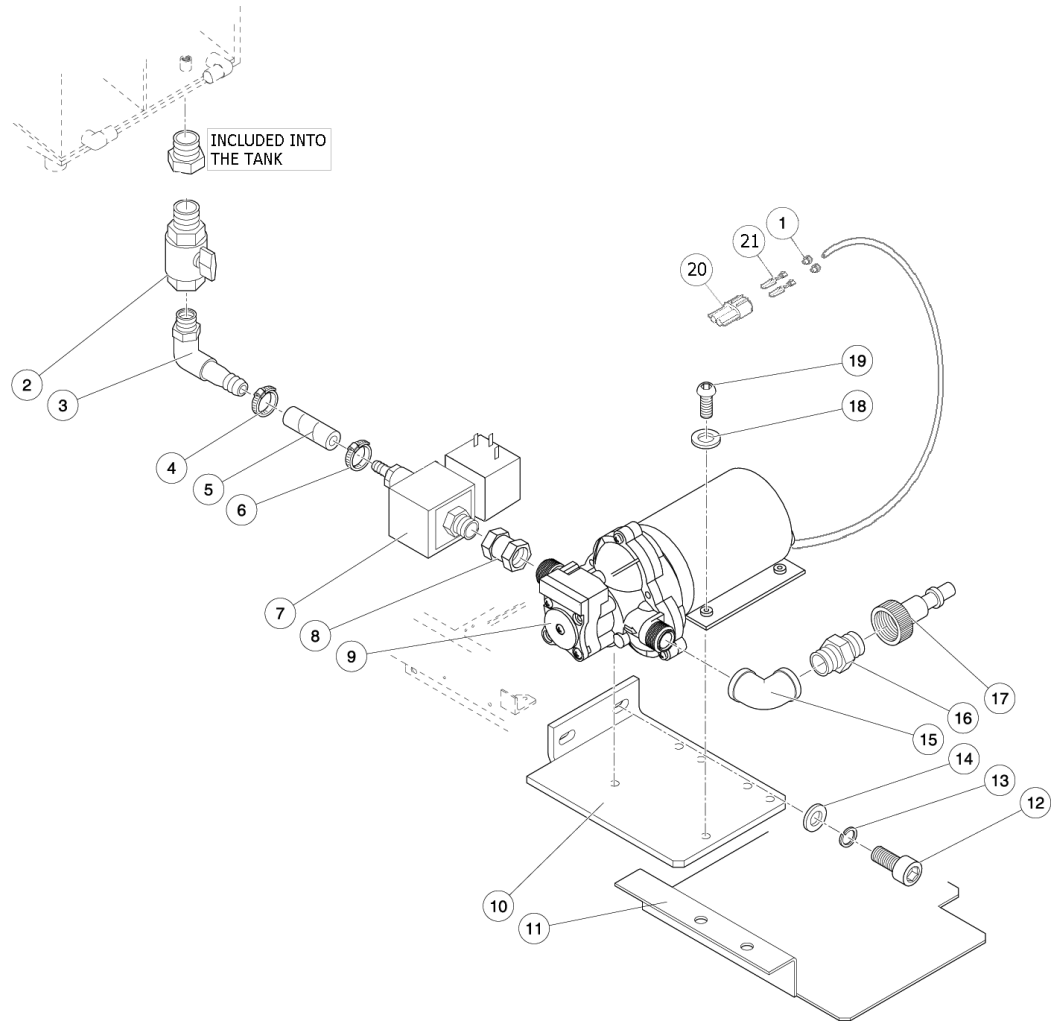
ISM00081

Ref.	K	Part N.	Customer Part N.	Description	Qty	Validity: From To	Price
0001		MPVR01569		COWLING	1,00		--
0002		VTRS15146		WASHER D. 8 INX GRW UNI 1751	2,00		--
0003		VTVT15916		SCREW TE M 8X 16 UNI 5739 A2	2,00		--
0004		VTRS05904		WASHER D. 4 X16 2.083	2,00		--
0005		VTRS01579		WASHER D. 3 UNI 6592	2,00		--
0006		VTRS27296		WASHER GROWER 3 ZNT	2,00		--
0007		VTVT00722		SCREW	2,00		--
0008		VTDD15521		NUT M 8 INX A2 UNI 5588	2,00		--
0009		CMCV00179		LEVER PARKING BRAKE	1,00		--
0010		LAFN02791		SPACER	1,00		--
0011		MTPL00081		PULLEY BRAKE	1,00		--
0012		CMCV00188		CABLE PARKING BRAKE	1,00		--
0013		LAFN02801		SUPPORT	1,00		--
0014		VTDD04369		NUT M 4 TEF UNI 7473	2,00		--
0015		VTRS05904		WASHER D. 4 X16 2.083	2,00		--
0016		MECI00099		SWITCH	1,00		--
0017		MEVR00747		CONNECTOR DIAMETER 4 RED BM00130	2,00		--
0018		VTVT16676		SCREW M6X60 A2 UNI5931	1,00		--
0019		VTRS15144		WASHER D. 6 INX GRW UNI 1751	2,00		--
0020		VTDD15520		NUT M 6 A2 UNI 5588 INX	2,00		--
0021		KTRI15046		GROUP MICROSWITCH	1,00		--
0022		VTRS00089		WASHER WHEEL	2,00		--
0023		VTRS01081		WASHER D.10 GRW	2,00		--
0025		RTRT00146		REAR WHEEL RIGHT-LEFT SIDE	2,00		--
0026		RTRT00135		BLOCK BRAKE RIGHT SIDE 142	1,00		--
0027		VTDD01678		NUT M 5 UNI 5588	1,00		--
0028		MLML00065		SPRING L0=80 De=12 Df=1.7	1,00		--
0029		VTVT63024		SCREW TCEI M 5X 25 ZC UNI 5931	1,00		--
0030		VTRS13945		WASHER D. 6X18 INX UNI 6593	2,00		--
0031		VTDD01694		NUT M 6 INX	2,00		--
0032		VTDD15522		NUT M10 INOX UNI5588	8,00		--
0033		VTRS15909		WASHER D.10	8,00		--
0034		VTRS00505		WASHER D.10 TE UNI 6592	8,00		--
0035		VTRS15523		WASHER D.10 X21 INOX UNI 6592	8,00		--
0037		CMCV00180		LEVER RIGHT BRAKE	1,00		--
0038		CMCV00006		FORK UNI 1676 M6X24	1,00		--
0039		CMCV00009		CLIP UNI 1676	1,00		--
0040		CMCV00006		FORK UNI 1676 M6X24	1,00		--
0041		CMCV00009		CLIP UNI 1676	1,00		--



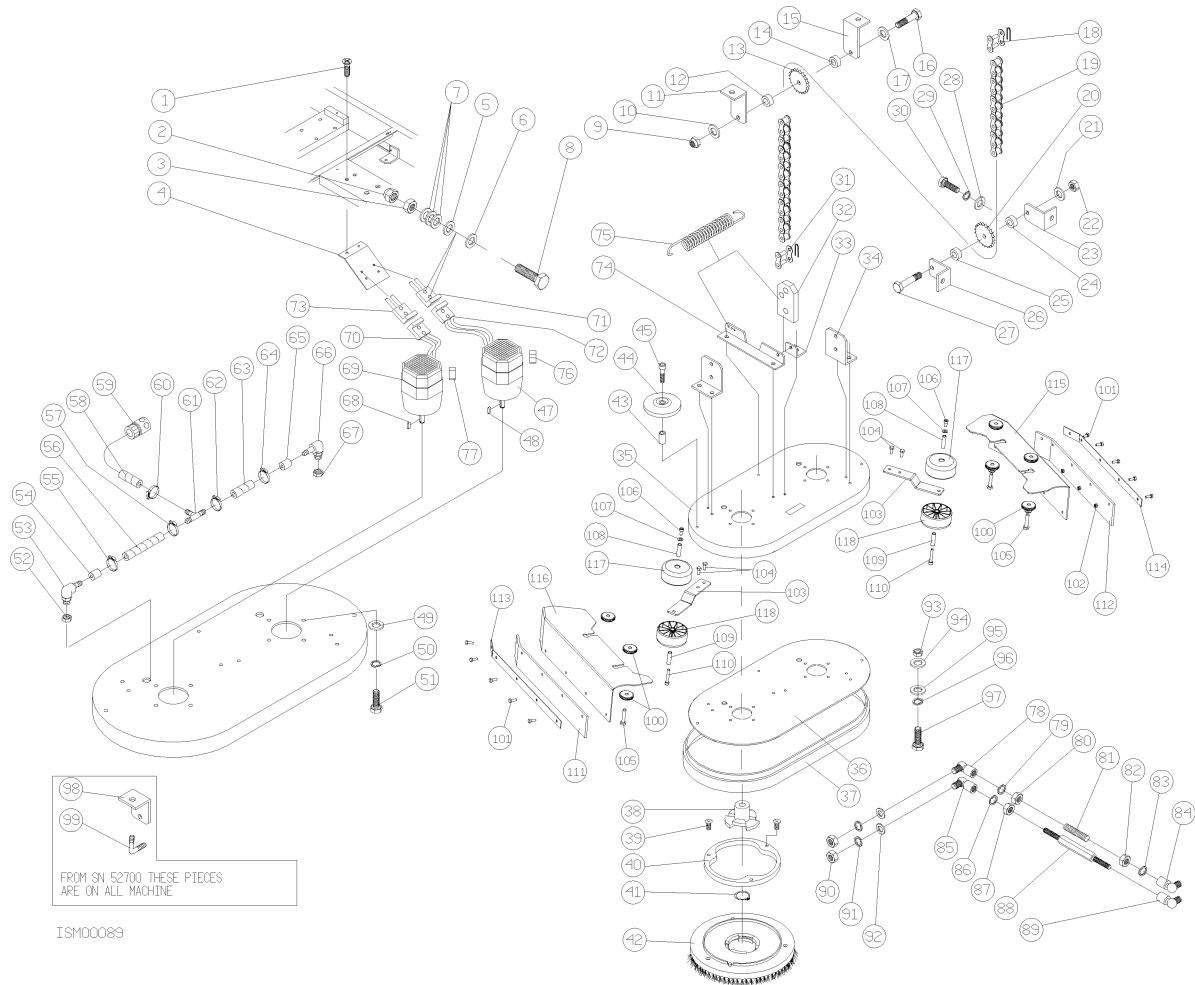
ISM00081

Ref. K	Part N.	Customer Part N.	Description	Qty	Validity:		Price
					From	To	
0042	LAFN02717		WHEELS AXLE TITAN 142	1,00			--
0043	VTVT63024		SCREW TCEI M 5X 25 ZC UNI 5931	1,00			--
0044	MLML00065		SPRING L0=80 De=12 Df=1.7	1,00			--
0045	CMCV00187		LEVER LEFT BRAKE	1,00			--
0047	VTRS15978		WASHER D.12X24 UNI 6592 INX	1,00			--
0048	LAFN02792		PLATE	2,00			--
0049	VTDD01678		NUT M 5 UNI 5588	1,00			--
0050	RTRT00136		BLOCK BRAKE LEFT SIDE 142	1,00			--
0051	MEVR00558		CLAMP D.8	1,00			--
0052	CMCV00006		FORK UNI 1676 M6X24	1,00			--
0053	CMCV00009		CLIP UNI 1676	1,00			--
0054	CMCV00189		CABLE BRAKE	1,00			--
0055	CMCV00009		CLIP UNI 1676	1,00			--
0056	MEVR00556		CLAMP DIAMETER 6	1,00			--
0057	CMCV00006		FORK UNI 1676 M6X24	1,00			--
0058	MEVR00556		CLAMP DIAMETER 6	1,00			--
0059	LAFN02735		BALANCER BRAKE FOOT	1,00			--
0060	VTVT01674		GRUB SCREW M 6x10 UNI 5927	1,00			--
0061	CMCV75717		CLIP UNI 1676 M6	1,00			--
0062	CMCV76639		FORK M 6 UNI 1676	1,00			--
0063	PIID00033		BRAKE PEDAL	1,00			--
0065	CMCV75717		CLIP UNI 1676 M6	1,00			--
0066	CMCV76639		FORK M 6 UNI 1676	1,00			--
0067	CMCV00006		FORK UNI 1676 M6X24	1,00			--
0068	CMCV00009		CLIP UNI 1676	1,00			--
0069	CMCV00190		CABLE BRAKE	1,00			--

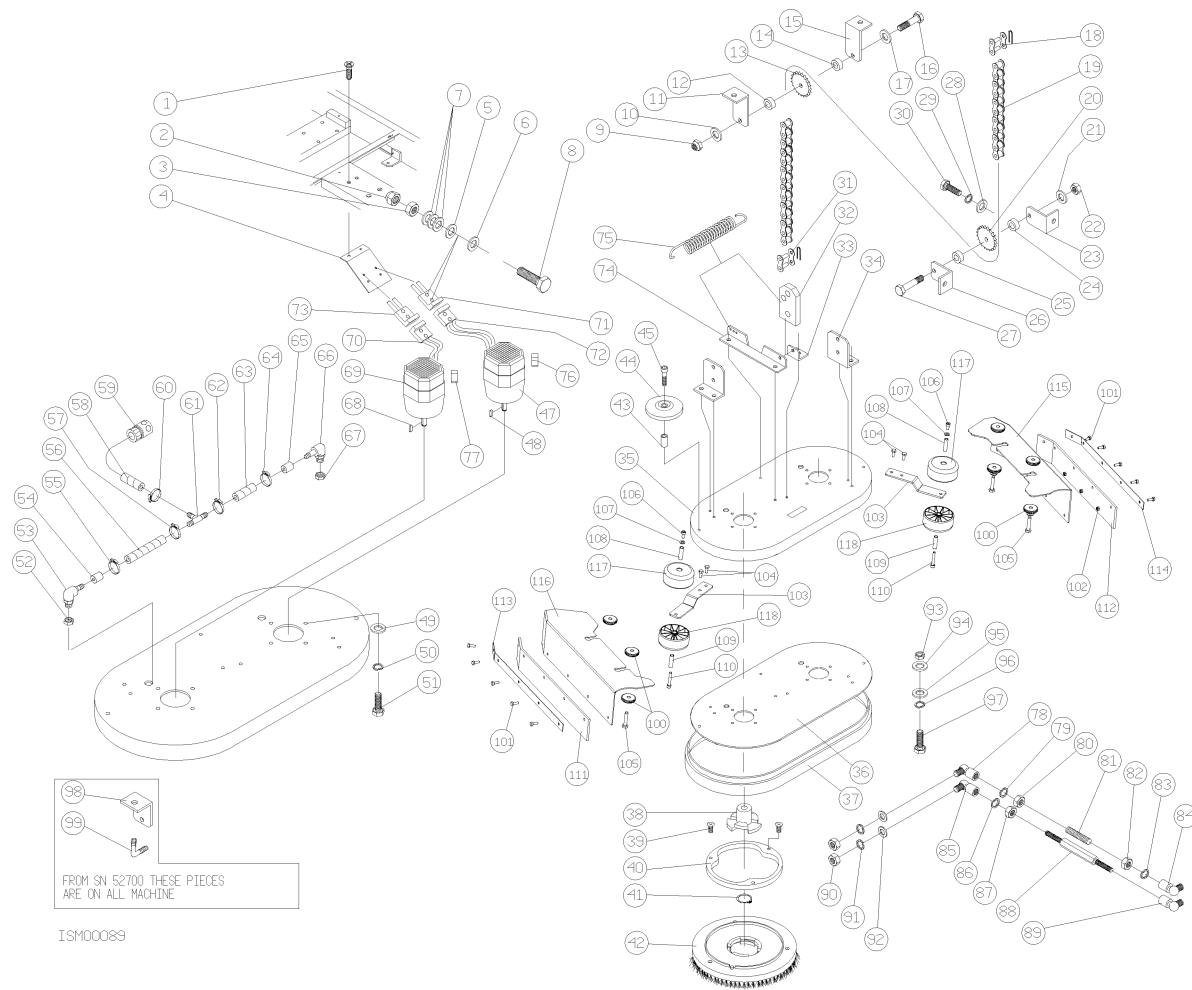


ISM00082

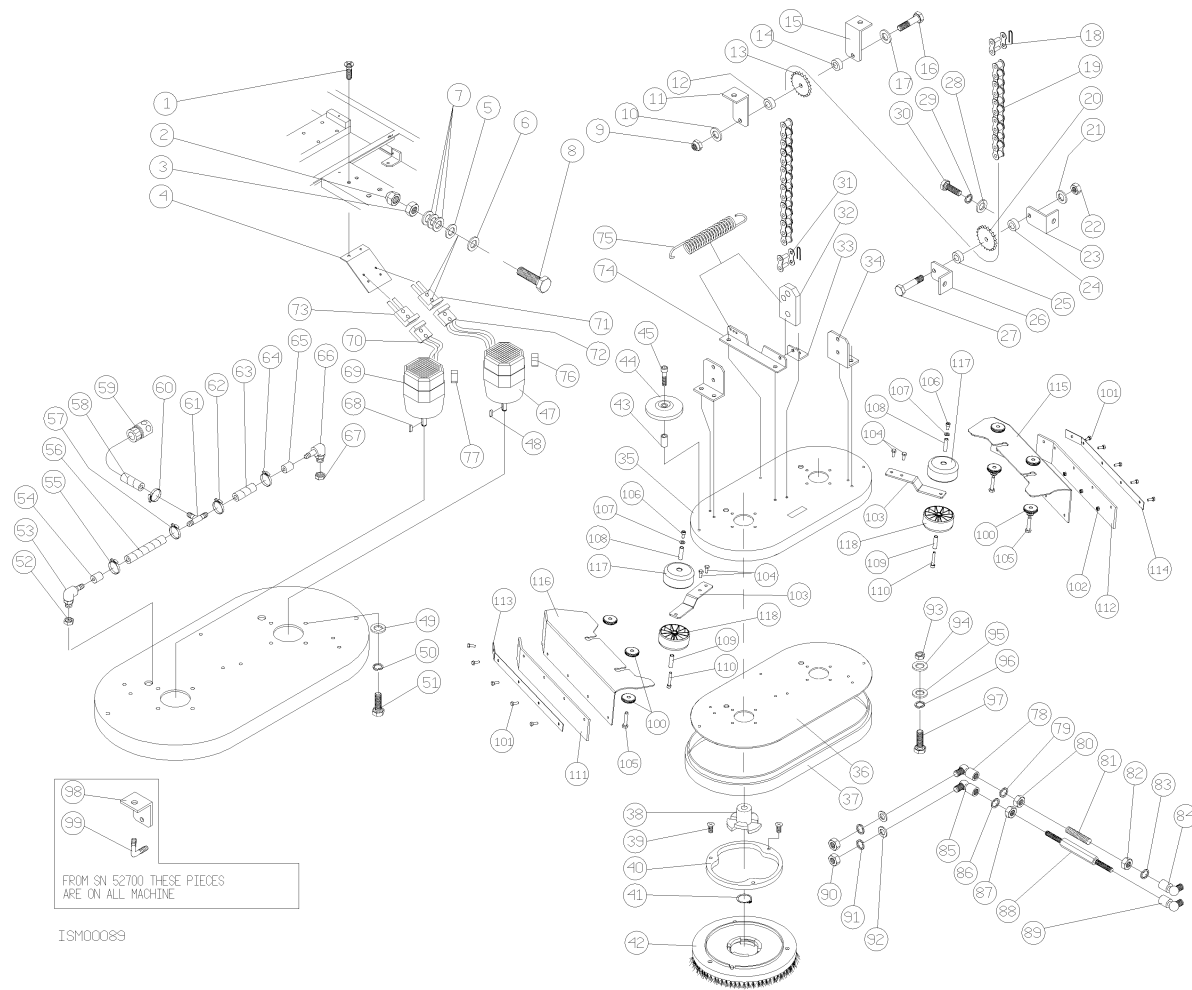
Ref. K	Part N.	Customer Part N.	Description	Qty	Validity:		Price
					From	To	
0001	GUVR00099		GASKET WIRING	2,00			--
0002	RCGR00030		TAP 1/2"	1,00			--
0003	RCVR00109		CURVE 90°	1,00			--
0004	MEVR00372		CLAMP 18,2 - 20,5	1,00			--
0006	MEVR00372		CLAMP 18,2 - 20,5	1,00			--
0007	MECI00073		SOLENOID VALVE 24V 3/8"	1,00			--
0008	TBFX48011		TUBE FLEX D.12X3 ARMORV.PVC TR	0,35			--
0009	PPBP00008		PUMP 24V	1,00			--
0010	LAFN02753		SUPPORT WATER PUMP	1,00			--
0011	LAFN02757		PROTECTION	1,00			--
0012	VTVT00717		SCREW TCEI M. 6-16	2,00			--
0013	VTRS15144		WASHER D. 6 INX GRW UNI 1751	4,00			--
0014	VTRS13945		WASHER D. 6X18 INX UNI 6593	4,00			--
0015	RCVR00094		CURVE 90° 1/2" F/F	1,00			--
0017	RCVR00103		JOINT R 1/2"	1,00			--
0018	VTRS13945		WASHER D. 6X18 INX UNI 6593	4,00			--
0019	VTVT00850		SCREW TBEI M6-25 A2 UNI7380	4,00			--
0020	MEVR00688		CONNECTOR	1,00			--
0021	MEVR00728		PIN	2,00			--



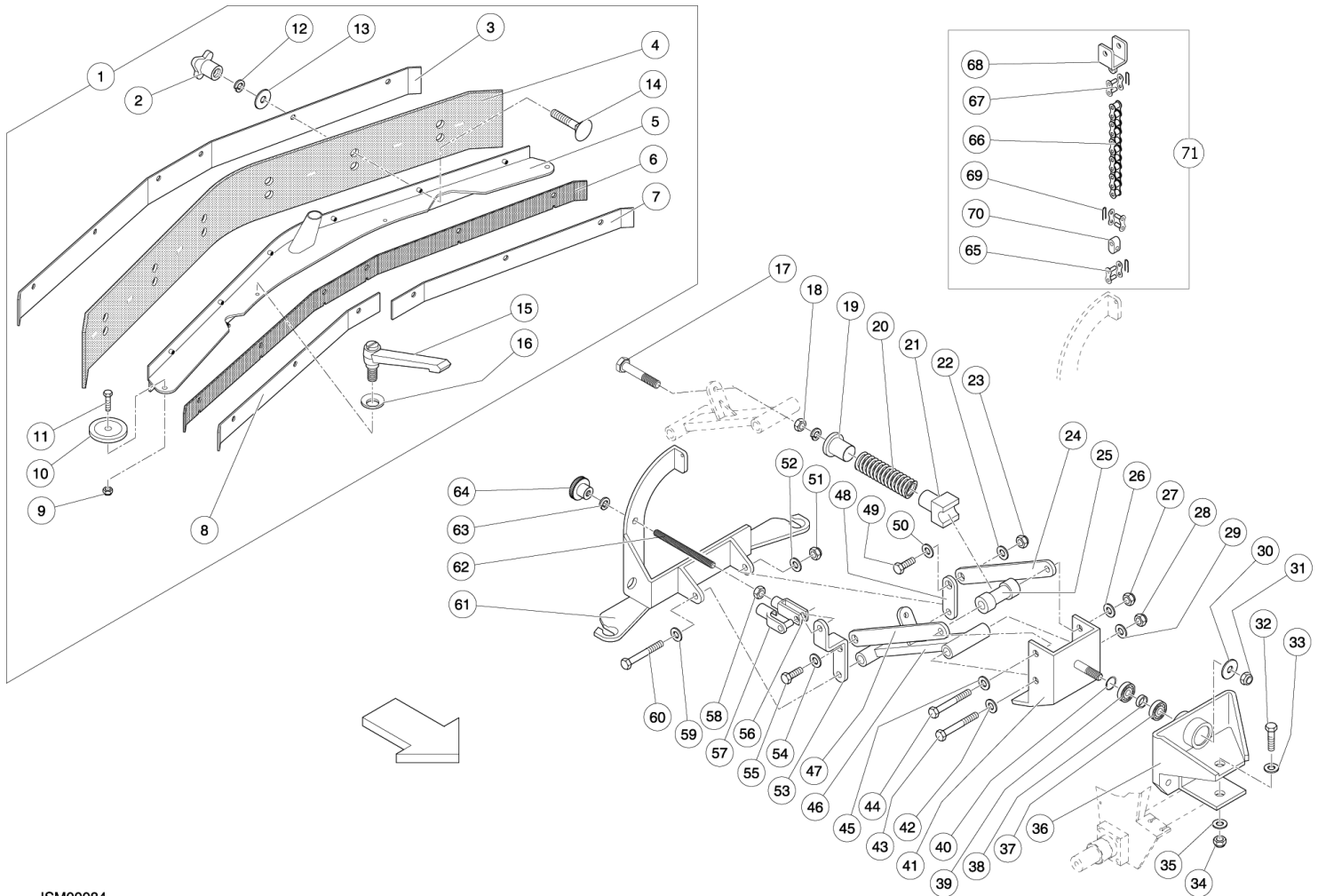
Ref. K	Part N.	Customer Part N.	Description	Qty	Validity: From To	Price
0001	VTVT00832		SCREW TSPEI M6X16 INOX	4,00		--
0002	VTDD00055		NUT M 4 ATB A2	4,00		--
0003	VTDD04368		NUT M 4 ZIN UNI 5588	4,00		--
0004	LAFN02758		BRACKET	1,00		--
0005	VTRS05727		WASHER D. 4 DIN 6798E	4,00		--
0006	VTRS05727		WASHER D. 4 DIN 6798E	4,00		--
0007	VTRS00515		WASHER D. 4 INX	12,00		--
0008	VTVT00358		SCREW TCEI M4X35 UNI5931	4,00		--
0009	VTDD10310		NUT AUTOBL.M10 INOX DIN 985	1,00		--
0010	VTRS15523		WASHER D.10 X21 INOX UNI 6592	1,00		--
0011	LAFN02748		SUPPORT PINION CHAIN	1,00		--
0012	VTRS00505		WASHER D.10 TE UNI 6592	1,00		--
0013	MTIG00052		PINION Z15 3/8"X3/16"	2,00		--
0014	VTRS00505		WASHER D.10 TE UNI 6592	1,00		--
0015	LAFN02748		SUPPORT PINION CHAIN	2,00		--
0016	VTVT00673		SCREW M10X40 UNI5737	1,00		--
0017	VTRS00505		WASHER D.10 TE UNI 6592	1,00		--
0018	MTCR00037		JOINT LINK 3/8"	2,00		--
0019	MTCR00036		CHAIN 3/8"-7/32" 53 PITCH	1,00		--
0020	MTIG00052		PINION Z15 3/8"X3/16"	1,00		--
0021	VTRS15523		WASHER D.10 X21 INOX UNI 6592	1,00		--
0022	VTDD10310		NUT AUTOBL.M10 INOX DIN 985	1,00		--
0023	LAFN02744		SUPPORT	2,00		--
0024	VTRS00505		WASHER D.10 TE UNI 6592	1,00		--
0025	VTRS00505		WASHER D.10 TE UNI 6592	1,00		--
0026	LAFN02744		SUPPORT	1,00		--
0027	VTVT00673		SCREW M10X40 UNI5737	1,00		--
0028	VTRS13946		WASHER D. 8 X24 INX UNI 6593	2,00		--
0029	VTRS15146		WASHER D. 8 INX GRW UNI 1751	2,00		--
0030	VTVT15907		SCREW TE 8X25 UNI5739 INX	2,00		--
0031	MTCR00037		JOINT LINK 3/8"	1,00		--
0032	CMCV00192		LEVER	1,00		--
0033	LAFN02742		SUPPORT LEVER CHAIN BRUSH HEAD	1,00		--
0034	LAFN02745		CORNER PIECE	2,00		--
0035	LAFN01526		COVER HEAD BRUSH 82	1,00		--
0036	LAFN02770		PLATE HEAD BRUSH 82	1,00		--
0037	PMLA00142		SPLASH GUARD 85	1,00		--
0038	MFVR00030		HUB	2,00		--
0039	VTVT35376		SCREW TCB-TC 3.5X25	6,00		--



Ref.	K	Part N.	Customer Part N.	Description	Qty	Validity: From To	Price
0040		GUVR00031		RING	2,00		--
0041		VTAE13512		CIRCLIP D. 17 UNI 7435	2,00		--
0042		SPPV00158		BRUSH PPN 0,5 70-100	2,00		--
0043		LAFN01315		BUSHING M12 15/1,4x17	2,00	07/2006	--
0044		RTRT00049		BUMPER HEAD - SQUEEGEE	2,00	07/2006	--
0045		VTVT00167		SCREW TCEI M12X40 INOX	2,00	07/2006	--
0047		MOCC00111		MOTOR 24V 500W 240'	1,00		--
0048		VTVR00080		KEY A 8x7x56 DIN6885/1	2,00		--
0049		VTRS13946		WASHER D. 8 X24 INX UNI 6593	8,00		--
0050		VTRS15146		WASHER D. 8 INX GRW UNI 1751	8,00		--
0051		VTVT15907		SCREW TE 8X25 UNI5739 INX	8,00		--
0052		MEVR01906		LOCKNUT 1/2"	2,00		--
0053		RCVR00109		CURVE 90°	2,00		--
0054		LAFN01247		BUSHING RED. FLOW	2,00		--
0055		MEVR00372		CLAMP 18,2 - 20,5	1,00		--
0056		TBFX48011		TUBE FLEX D.12X3 ARMORV.PVC TR	0,11		--
0057		MEVR00372		CLAMP 18,2 - 20,5	1,00		--
0058		TBFX48011		TUBE FLEX D.12X3 ARMORV.PVC TR	0,32		--
0059		RCVR00104		JOINT 1/2"	1,00		--
0060		MEVR00372		CLAMP 18,2 - 20,5	1,00		--
0061		RCVR00110		ADAPTER "T" °13mm	1,00		--
0062		MEVR00372		CLAMP 18,2 - 20,5	1,00		--
0063		TBFX48011		TUBE FLEX D.12X3 ARMORV.PVC TR	0,20		--
0064		MEVR00372		CLAMP 18,2 - 20,5	1,00		--
0065		LAFN01247		BUSHING RED. FLOW	1,00		--
0066		RCVR00109		CURVE 90°	1,00		--
0067		MEVR01906		LOCKNUT 1/2"	1,00		--
0068		VTVR00080		KEY A 8x7x56 DIN6885/1	1,00		--
0069		MOCC00111		MOTOR 24V 500W 240'	1,00		--
0070		MEVR00152		CONNECTOR SB 50A	1,00		--
0071		MEVR00152		CONNECTOR SB 50A	1,00		--
0072		MEVR00152		CONNECTOR SB 50A	1,00		--
0073		MEVR00152		CONNECTOR SB 50A	1,00		--
0074		LAFN02743		SUPPORT CHAIN LIFT BRUSH	1,00		--
0075		MLML00058		SPRING	1,00		--
0076		MEVR01054		MOTOR BRUSH R87 10X18X18	4,00		--
0077		MEVR01054		MOTOR BRUSH R87 10X18X18	4,00		--
0078		VTVR00133		ARTICULATION RIGHT THREAD M10	2,00		--
0079		VTRS01081		WASHER D.10 GRW	2,00		--

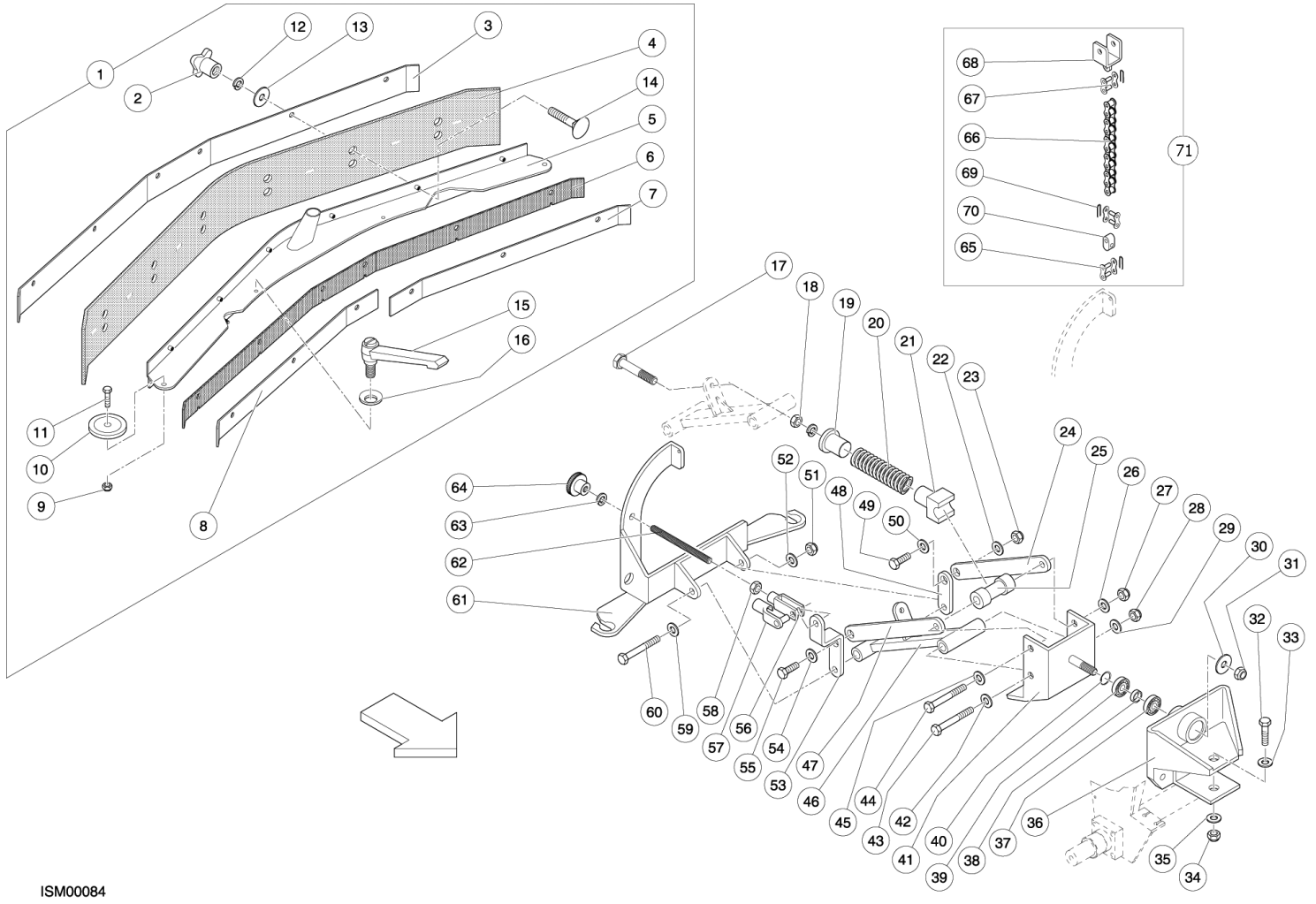


Ref.	K	Part N.	Customer Part N.	Description	Qty	Validity: From To	Price
0080		VTDD00484		NUT M10 ZIN UNI 5588	2,00		--
0081		CMCV00191		TIE ROD	2,00		--
0082		VTDD00484		NUT M10 ZIN UNI 5588	2,00		--
0083		VTRS01081		WASHER D.10 GRW	2,00		--
0084		VTVR00133		ARTICULATION RIGHT THREAD M10	2,00		--
0085		VTVR00133		ARTICULATION RIGHT THREAD M10	2,00		--
0086		VTRS01081		WASHER D.10 GRW	2,00		--
0087		VTDD00484		NUT M10 ZIN UNI 5588	2,00		--
0088		CMCV00194		TIE ROD	2,00		--
0089		VTVR00118		ARTICULATION LEFT THREAD M10	2,00		--
0090		VTDD00484		NUT M10 ZIN UNI 5588	8,00		--
0091		VTRS01081		WASHER D.10 GRW	8,00		--
0092		VTRS00505		WASHER D.10 TE UNI 6592	8,00		--
0093		VTDD01696		NUT M 8 INX	7,00		--
0094		VTRS13947		WASHER D. 8 INX UNI 6592	7,00		--
0095		VTRS13946		WASHER D. 8 X24 INX UNI 6593	7,00		--
0096		VTRS15146		WASHER D. 8 INX GRW UNI 1751	7,00		--
0097		VTVT13937		SCREW TE M 8X 30 INX UNI 5739	7,00		--
0098		LAFN41105		BRACKET	2,00		--
0099		RCVR00543		CONNECTOR A GOMITO	2,00		--
0100		VTRS05905		WASHER ZIGRINATA	8,00	07/2006	--
0101		VTVT15143		SCREW TE 6X16 UNI5739	10,00	07/2006	--
0102		VTDD00491		NUT M 6 TEF	10,00	07/2006	--
0103		LAFN07059		BRACKET FISSA RUOTA PARACOLPI	2,00	07/2006	--
0104		VTVT13938		SCREW TE 8X20 UNI5739 INX	4,00	07/2006	--
0105		VTVT28884		SCREW TE M 12X 50 UNI 5737 INX	4,00	07/2006	--
0106		VTVT01118		SCREW TCEI M 8X16 ZC. UNI 5931	2,00	07/2006	--
0107		VTRS13947		WASHER D. 8 INX UNI 6592	2,00	07/2006	--
0108		LAFN06472		BRACKET FISSA CARENE DP	2,00	07/2006	--
0109		LAFN07060		SPACER RUOTA PARACOLPI	2,00	07/2006	--
0110		VTVT28567		SCREW TCEI 8X50 UNI5931	2,00	07/2006	--
0111		MPVR05168		FLAP DX TESTATA 820	1,00	07/2006	--
0112		MPVR05169		FLAP SX TESTATA 820	1,00	07/2006	--
0113		LAFN07057		SHEET METAL PA.FLAP DX TESTATA 820	1,00	07/2006	--
0114		LAFN07058		SHEET METAL PA.FLAP SX TESTATA 820	1,00	07/2006	--
0115		LAFN07054		PLANE SX TESTATA 820	1,00	07/2006	--
0116		LAFN07053		PLANE DX TESTATA 820	1,00	07/2006	--
0117		RTRT00502		WHEEL PNEUMATICA D 267	2,00	07/2006	--
0118		LAFN04040		BUSHING	2,00	07/2006	--



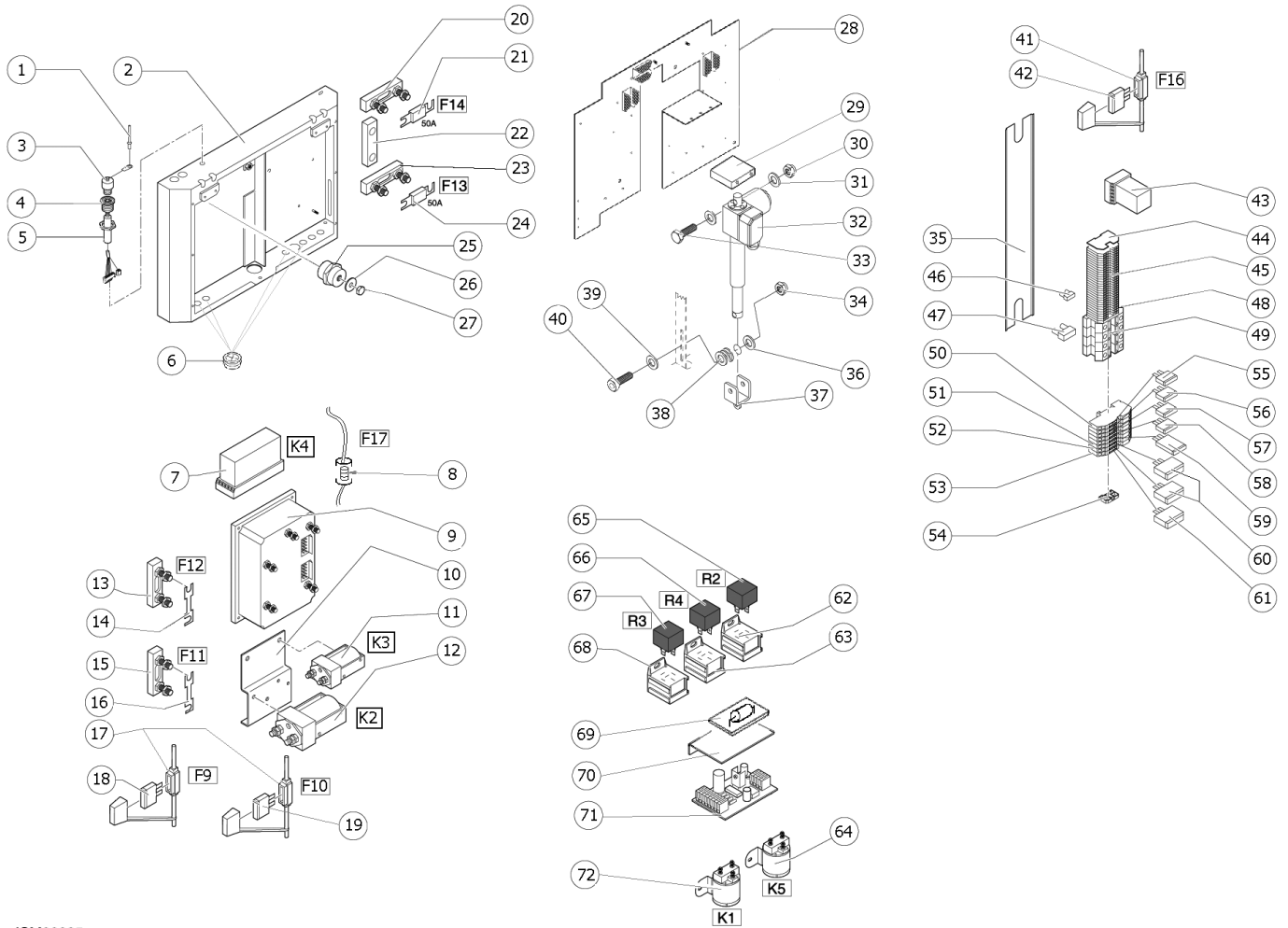
ISM00084

Ref. K	Part N.	Customer Part N.	Description	Qty	Validity: From To	Price
0001	DBDB01602		ASSEMBLED SQUEEGEE 142 BF 82	1,00		--
0002	VTVT00199		HANDWHEEL VB 693/63B-M8	6,00		--
0003	LAFN02824		PLATE	1,00		--
0004	MPVR01486		RUBBER BLADE REAR SIDE	1,00		--
0005	LAFN02821		SQUEEGEE	1,00		--
0006	MPVR01461		RUBBER	1,00		--
0007	LAFN02724		PLATE ANTERIOR LEFT	1,00		--
0008	LAFN02723		PLATE ANTERIOR RIGHT	1,00		--
0009	VTDD01695		NUT M 8 INX	2,00		--
0010	RTRT00085		WHEEL Diameter 60, Height 24	2,00		--
0011	VTVT15917		SCREW TE M 8X50 INOX A2 UNI	2,00		--
0012	VTRS15146		WASHER D. 8 INX GRW UNI 1751	6,00		--
0013	VTDD15518		NUT M 6 INX	6,00		--
0014	VTVT00326		SCREW TTQST M8x30 UNI5592	6,00		--
0015	VTVR00079		REGULAT. SCREW	2,00		--
0016	VTRS00069		WASHER DIN 6319-8,4-C-NI	2,00		--
0017	VTVT00769		SCREW M8X70 A2 UNI5737	1,00		--
0018	VTDD15521		NUT M 8 INX A2 UNI 5588	1,00		--
0019	LAFN02733		SUPPORT SPRING	1,00		--
0020	MLML00074		SPRING	1,00		--
0021	LAFN02732		GUIDE SPRING	1,00		--
0022	MPVR01060		BUSHING	1,00		--
0023	VTDD01695		NUT M 8 INX	1,00		--
0024	CMCV00183		LEVER	1,00		--
0025	LAFN02731		BUSHING	1,00		--
0026	MPVR01060		BUSHING	1,00		--
0027	VTDD01695		NUT M 8 INX	1,00		--
0028	VTDD01695		NUT M 8 INX	1,00		--
0029	MPVR01060		BUSHING	1,00		--
0030	VTRS15978		WASHER D.12X24 UNI 6592 INX	1,00		--
0031	VTDD27918		NUT M 12 UNI 5588 INX	1,00		--
0032	VTVT00394		SCREW M12X80 A2 UNI5737	1,00		--
0033	VTRS00102		WASHER PLASTIC 12.2X18	1,00		--
0034	VTDD27918		NUT M 12 UNI 5588 INX	1,00		--
0035	VTRS00102		WASHER PLASTIC 12.2X18	1,00		--
0036	LAFN02713		BRACKET	1,00		--
0037	CUVR46942		BALL BEARING 6001-2RS1 -SKF	1,00		--
0039	CUVR46942		BALL BEARING 6001-2RS1 -SKF	1,00		--
0040	VTAE00010		SEEGER INTERNO DIN 472 D.28	1,00		--



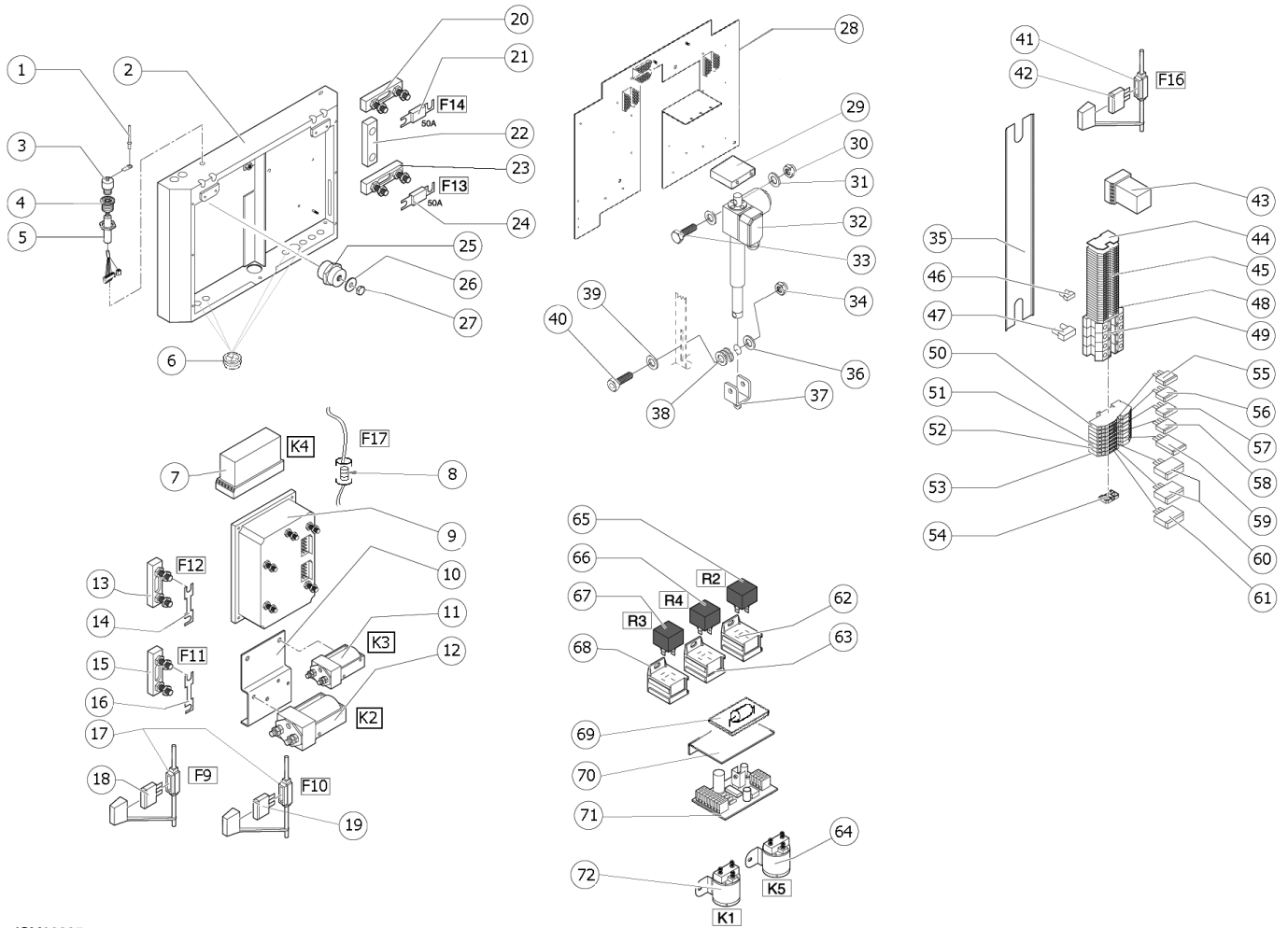
ISM00084

Ref.	K	Part N.	Customer Part N.	Description	Qty	Validity: From To	Price
0041		LAFN02728		BRACKET	1,00		--
0042		MPVR01060		BUSHING	1,00		--
0043		VTVT01321		SCREW TE 8X90 UNI5739	1,00		--
0044		VTVT01321		SCREW TE 8X90 UNI5739	1,00		--
0045		MPVR01060		BUSHING	1,00		--
0046		CMCV00182		TIE ROD	1,00		--
0047		CMCV00183		LEVER	1,00		--
0048		CMCV00185		LEVER	1,00		--
0049		VTVT15907		SCREW TE 8X25 UNI5739 INX	1,00		--
0050		MPVR01060		BUSHING	1,00		--
0051		VTDD01695		NUT M 8 INX	2,00		--
0052		VTRS13947		WASHER D. 8 INX UNI 6592	2,00		--
0053		CMCV00184		LEVER	1,00		--
0054		MPVR01060		BUSHING	1,00		--
0055		VTVT15907		SCREW TE 8X25 UNI5739 INX	1,00		--
0056		CMCV00001		FORK UNI 1676 M8X16	1,00		--
0057		CMCV00254		CLIP	1,00		--
0058		VTDD15521		NUT M 8 INX A2 UNI 5588	1,00		--
0059		MPVR01060		BUSHING	1,00		--
0060		VTVT13516		SCREW TE M 8X100	1,00		--
0061		LAFN02714		SUPPORT	1,00		--
0062		CMCV00181		TIE ROD M8X100	1,00		--
0063		VTDD15521		NUT M 8 INX A2 UNI 5588	1,00		--
0064		VTVT00207		HANDWHEEL M8	1,00		--
0065		MTCR47037		WARP KNITTING 3/8	1,00		--
0066		MTCR00097		CHAIN 3/8" X 3/16" LENGHT 27 P.	1,00		--
0067		MTCR47037		WARP KNITTING 3/8	1,00		--
0068		LAFN41102		BRACKET	1,00		--
0069		MTCR47037		WARP KNITTING 3/8	1,00		--
0070		LAFN41101		HOOK CHAIN	1,00		--
0071		KTRIO1572		KIT CHAIN SQUEEGEE TITAN 142	1,00		--



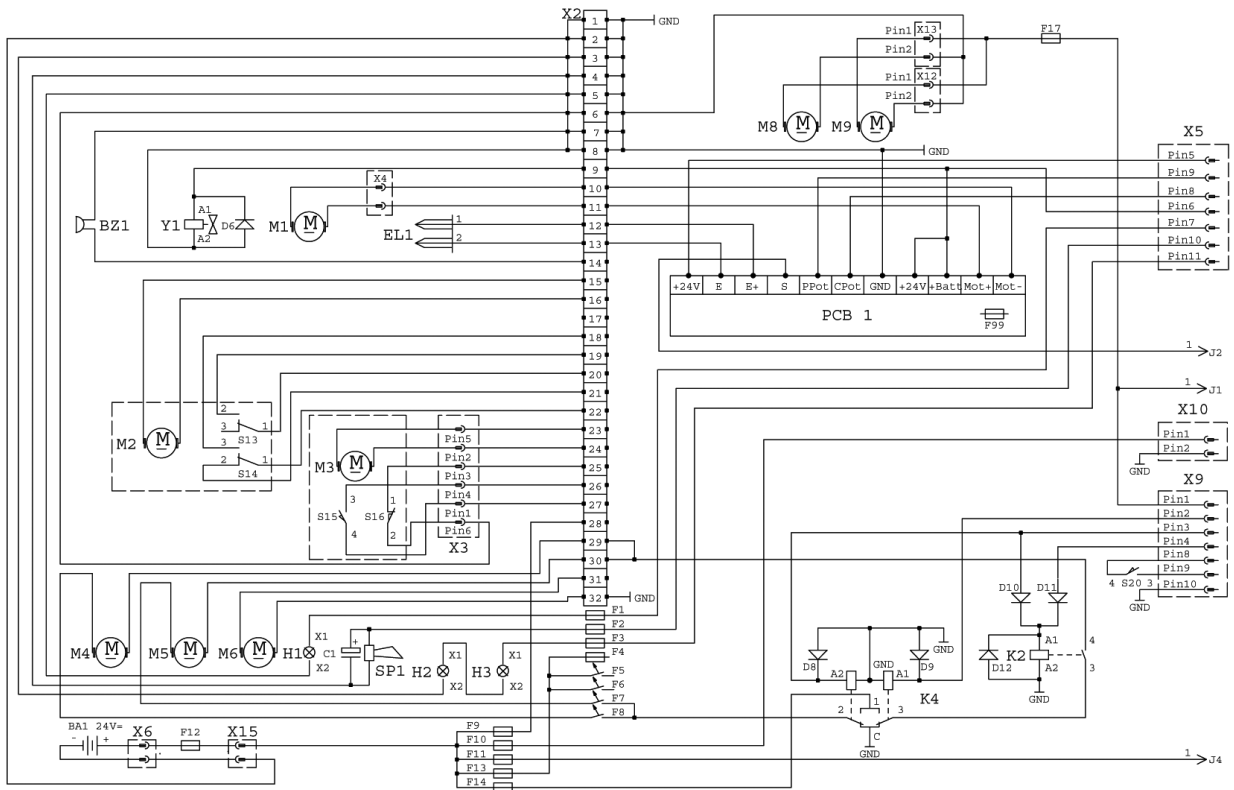
ISM00085

Ref.	K	Part N.	Customer Part N.	Description	Qty	Validity:		Price
						From	To	
0001		MEVR00910		PORTA RELAJ	1,00			--
0002		MECE00120		CONTROL BOARD	1,00			--
0003		RCVR00119		CAP PANEL	1,00			--
0004		MEVR00366		PLUG	1,00			--
0005		MEVR00258		CABLE PROGR.ZAPI	1,00			--
0006		MEVR00195		FAIR-LEAD TET 10-14	8,00			--
0007		MECI00178		MOTOR REVERSES 24V TE106 C	1,00			--
0008		MEVR04011		FUSE 1A 5X20	1,00			--
0009		MECE00235		PCB	1,00			--
0010		LAFN02761		PLATE	1,00			--
0011		MECI00115		CONTACTOR 24V-100A	1,00			--
0012		MECI00180		CONTACTOR 24V 180A	1,00			--
0013		MEVR00348		FUSE CARRIER	1,00			--
0014		MEVR00357		FUSE 50A	2,00			--
0015		MEVR00348		FUSE CARRIER	1,00			--
0016		MEVR00357		FUSE 50A	1,00			--
0017		MEVR00381		FUSE CARRIER	4,00			--
0018		MEVR00614		FUSE 10A	1,00			--
0019		MEVR00565		FUSE 5A	1,00			--
0020		MEVR00348		FUSE CARRIER	1,00			--
0021		MEVR00357		FUSE 50A	1,00			--
0022		LAFN02775		PLATE	1,00			--
0023		MEVR00348		FUSE CARRIER	1,00			--
0024		MEVR00357		FUSE 50A	1,00			--
0025		MEVR00906		INSULATOR M6	1,00			--
0026		VTRS00517		WASHER D. 6 DIN 6798E	1,00			--
0027		VTDD00482		NUT M 6 ZIN UNI 5588	1,00			--
0028		LAFN02760		PLATE	1,00			--
0029		LAFN02833		PLATE HOLD ACTUATOR	1,00			--
0030		VTDD15519		NUT M10 INOX	1,00			--
0031		VTRS15523		WASHER D.10 X21 INOX UNI 6592	1,00			--
0032		MECE00229		ATUATOR 24V	1,00			--
0033		VTVT01000		SCREW TE M 10-75 INOX UNI 5737	1,00			--
0034		VTDD15519		NUT M10 INOX	1,00			--
0035		LAFN02779		BAR	1,00			--
0036		VTRS15523		WASHER D.10 X21 INOX UNI 6592	1,00			--
0037		CMCV00193		FORK	1,00			--
0038		VTRS15524		WASHER D.10	3,00			--
0039		VTRS15523		WASHER D.10 X21 INOX UNI 6592	1,00			--



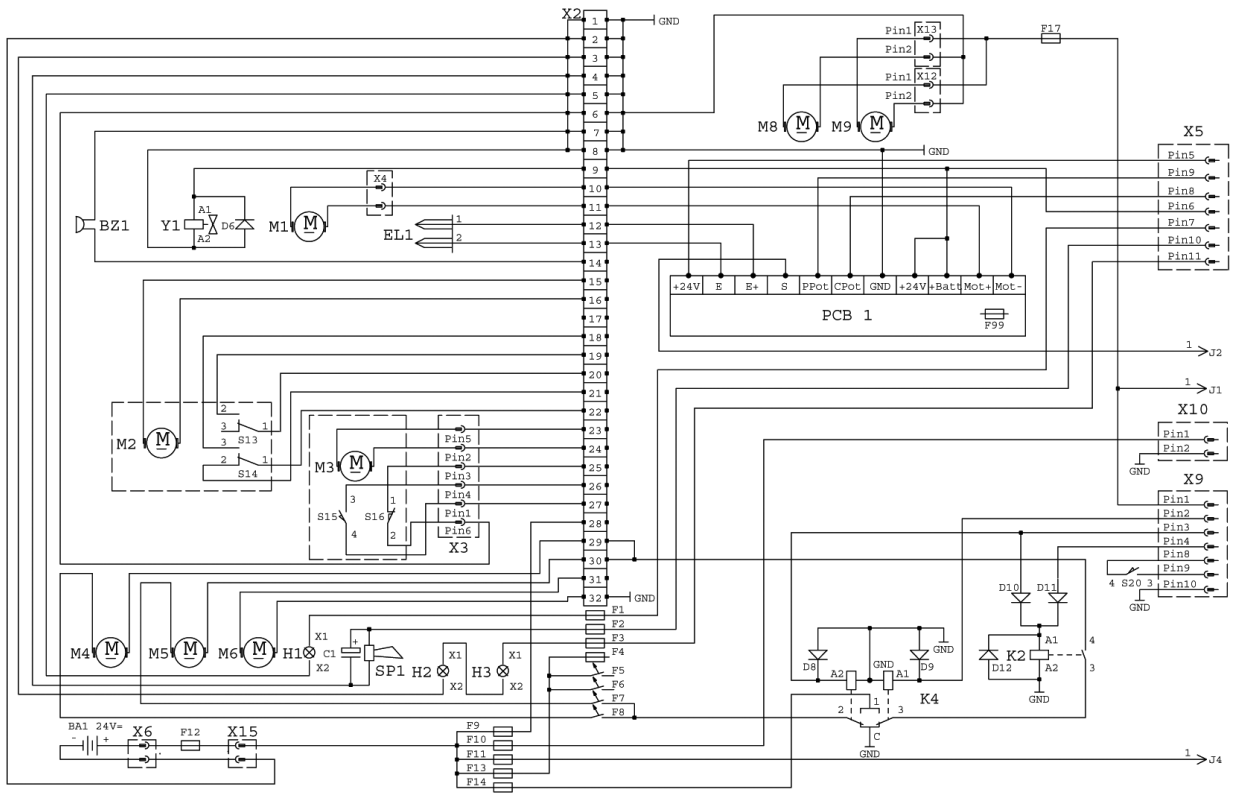
ISM00085

Ref.	K	Part N.	Customer Part N.	Description	Qty	Validity: From To	Price
0040		VTVT01306		SCREW TCEI M10x65 UNI5931 inox	1,00		--
0041		MEVR00381		FUSE CARRIER	1,00		--
0042		MEVR00565		FUSE 5A	1,00		--
0043		MECE00233		RELAIS	1,00		--
0044		MEVR00227		SEPARATOR CLAMP	1,00		--
0045		MEVR00224		CLAMP 2,5mm	28,00		--
0046		MECE00035		CABLE CLAMPING	7,00		--
0047		MECE00073		CABLE CLAMPING	2,00		--
0048		MEVR00226		SEPARATOR CLAMP	1,00		--
0049		MEVR00225		CLAMP CLAMP 6 MM	4,00		--
0050		MEVR00369		SEPARATOR CLAMP	1,00		--
0051		MEVR00369		SEPARATOR CLAMP	1,00		--
0052		MEVR00369		SEPARATOR CLAMP	1,00		--
0053		MEVR00349		CLAMP CLAMP 10 MM	8,00		--
0054		LAFN01302		BLOCK	2,00		--
0055		MEVR00565		FUSE 5A	1,00		--
0056		MEVR00565		FUSE 5A	1,00		--
0057		MEVR01428		FUSE A LAMA 2 A. UNIVAL	1,00		--
0058		MEVR00565		FUSE 5A	1,00		--
0059		MEVR00336		FUSE RESETTABLE 6A -ETA-	1,00		--
0060		MEVR00379		FUSE RESETTABLE 25A -ETA-	2,00		--
0061		MEVR00379		FUSE RESETTABLE 25A -ETA-	1,00		--
0062		MEVR00858		PORTA RELAJ	1,00		--
0063		MEVR00858		PORTA RELAJ	1,00		--
0064		METT45116		CONTACTOR 24V T106 P	1,00		--
0065		MECE00201		RELAIS 24V 10-20 A	1,00		--
0066		MECE00201		RELAIS 24V 10-20 A	1,00		--
0067		MECE00201		RELAIS 24V 10-20 A	1,00		--
0068		MEVR00858		PORTA RELAJ	1,00		--
0069		MECE00445		BOARD ANTISPIKE	1,00		--
0070		LAFN02774		JUNCTION BOARD	1,00		--
0071		MECE00104		PCB ANTIFOAM & PUMP 24V	1,00		--
0072		METT45116		CONTACTOR 24V T106 P	1,00		--



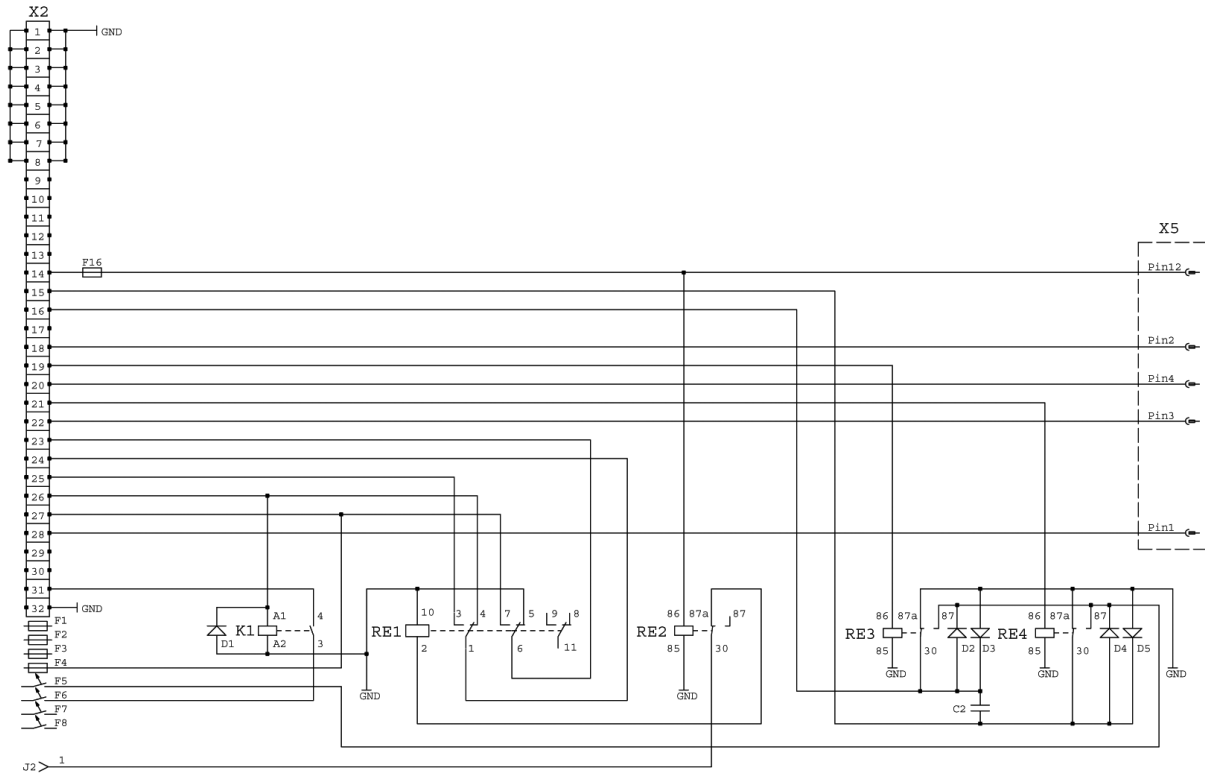
PLDC01489 Pag.01 | Rev.00 del 07/04/06 | Emissione su WEB

Ref.	K	Part N.	Customer Part N.	Description	Qty	Validity: From To	Price
BZ1		MECE00182		BUZZER	1,00		--
D10		MECI00044		DIODE 1N 4007	1,00		--
D11		MECI00044		DIODE 1N 4007	1,00		--
D12		MECI00044		DIODE 1N 4007	1,00		--
D8		MECI00044		DIODE 1N 4007	1,00		--
D9		MECI00044		DIODE 1N 4007	1,00		--
EL1		MECI00386		ELECTRODE 62-88-70-97-119	2,00		--
F1		MEVR00565		FUSE 5A	1,00		--
F10		MEVR00565		FUSE 5A	1,00		--
F11		MEVR00350		FUSE 80A	1,00		--
F12		MEVR00154		FUSE 125A	1,00		--
F13		MEVR00357		FUSE 50A	1,00		--
F14		MEVR00357		FUSE 50A	1,00		--
F17		MEVR04011		FUSE 1A 5X20	1,00		--
F2		MEVR00565		FUSE 5A	1,00		--
F3		MEVR01428		FUSE A LAMA 2 A. UNIVAL	1,00		--
F4		MEVR00565		FUSE 5A	1,00		--
F5		MEVR00336		FUSE RESETTABLE 6A -ETA-	1,00		--
F6		MEVR00379		FUSE RESETTABLE 25A -ETA-	1,00		--
F7		MEVR00379		FUSE RESETTABLE 25A -ETA-	1,00		--
F8		MEVR00379		FUSE RESETTABLE 25A -ETA-	1,00		--
F9		MEVR00614		FUSE 10A	1,00		--
H2		MEVR00553		LANTERN with lamp	1,00		--
H3		MEVR00553		LANTERN with lamp	1,00		--
K2		METT45116		CONTACTOR 24V T106 P	1,00		--
K4		MECI00178		MOTOR REVERSES 24V TE106 C	1,00		--
M1		PPBP00008		PUMP 24V	1,00		--
M2		MECE00229		ATUATOR 24V	1,00		--
M3		MECE00174		ATUATOR 24V AO-01/M C100V55	1,00		--
M4		MOCC00111		MOTOR 24V 500W 240'	1,00		--
M5		MOCC00111		MOTOR 24V 500W 240'	1,00		--
M6		MOMO00025		TURBINE	1,00		--
M8		MEVR00916		VENTILATOR	1,00		--
M9		MEVR00917		VENTILATOR	1,00		--
PCB1		MECE00104		PCB ANTIFOAM & PUMP 24V	1,00		--
S20		MECI00107		MICROSWITCH	1,00		--
SP1		MEVR47083		KLAXON L.14 24V	1,00		--
X15		MEVR00340		CONNECTOR SR 175A-24V	2,00		--
X6		MEVR00340		CONNECTOR SR 175A-24V	2,00		--



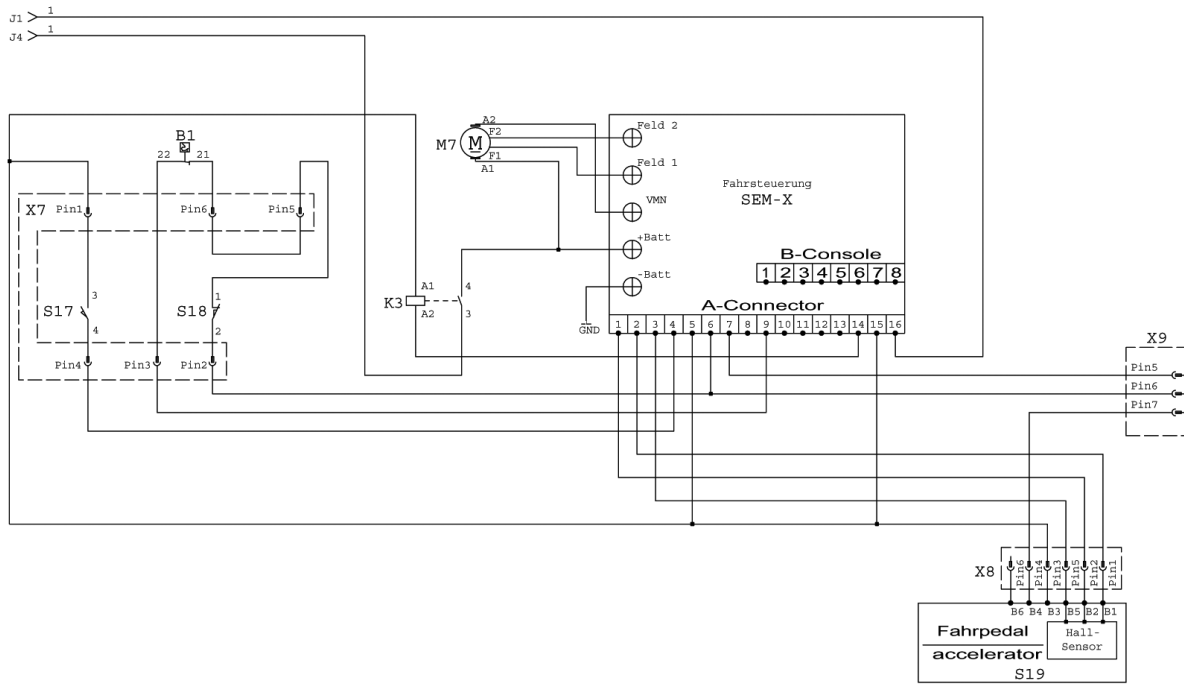
PLDC01489 Pag.01 Rev.00 del 07/04/06 Emissione su WEB

Ref. K	Part N.	Customer Part N.	Description	Qty	Validity: From To	Price
Y1	MECI00073		SOLENOID VALVE 24V 3/8"	1,00		--



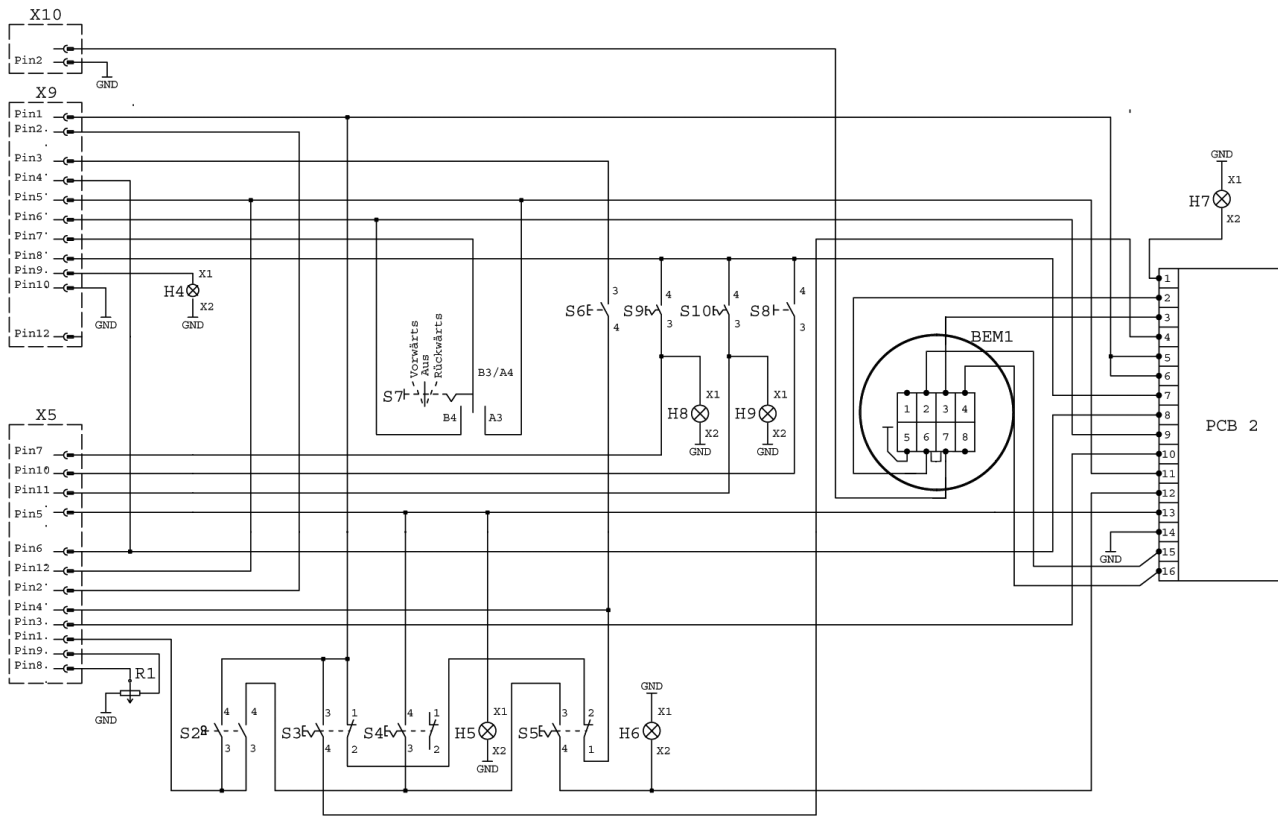
PLDC01489 Pag.02 Rev.00 del 07/04/06 Emissione su WEB

Ref. K	Part N.	Customer Part N.	Description	Qty	Validity:		Price
					From	To	
D1	MECI00044		DIODE 1N 4007	1,00			--
D2	MECI00047		DIODE 1N 5405	1,00			--
D3	MECI00047		DIODE 1N 5405	1,00			--
D4	MECI00047		DIODE 1N 5405	1,00			--
D5	MECI00047		DIODE 1N 5405	1,00			--
F16	MEVR00565		FUSE 5A	1,00			--
K1	METT45116		CONTACTOR 24V T106 P	1,00			--
RE1	MECE00233		RELAIS	1,00			--
RE2	MECE00201		RELAIS 24V 10-20 A	1,00			--
RE3	MECE00201		RELAIS 24V 10-20 A	1,00			--
RE4	MECE00201		RELAIS 24V 10-20 A	1,00			--



PLDC01489 Pag.03 Rev.00 del 07/04/06 Emissione su WEB

Ref. K	Part N.	Customer Part N.	Description	Qty	Validity:		Price
					From	To	
K3	MECI00115		CONTACTOR 24V-100A	1,00			--
M7	MOCC00269		MOTOR 700 W SEM	1,00			--
S19	PIID00030		FEED PEDAL	1,00			--
SEMX	MECE00235		PCB	1,00			--



PLDC01489 Pag.04 Rev.00 del 07/04/06 Emissione su WEB

Ref. K	Part N.	Customer Part N.	Description	Qty	Validity:		Price
					From	To	
BEM1	MESB00025		HOUR-COUNTER BAUSER 24V TYPO 855 24VDC	1,00			--
H4	MEVR00905		LAMP 24V-2W BA 9s	1,00			--
H5	MEVR00905		LAMP 24V-2W BA 9s	1,00			--
H6	MEVR00905		LAMP 24V-2W BA 9s	1,00			--
H7	MEVR00905		LAMP 24V-2W BA 9s	1,00			--
H8	MEVR00905		LAMP 24V-2W BA 9s	1,00			--
H9	MEVR00905		LAMP 24V-2W BA 9s	1,00			--
PCB2	MECE00121		BOARD	1,00			--
R1	MECI00046		POTENTIOMETER 24V 22KOhm	1,00			--
R1	MPVR01118		KNOB POTENTIOMETER	1,00			--
S10	MECE00232		CONTACT NO	1,00			--
S10	MECI00173		SWITCH GREEN	1,00			--
S10	MEVR00904		LAMP SOCKET	1,00			--
S2	MECE00232		CONTACT NO	1,00			--
S2	MEVR00903		BLOCK KEY	1,00			--
S3	MECE00232		CONTACT NO	1,00			--
S3	MECI00173		SWITCH GREEN	1,00			--
S3	MEVR00904		LAMP SOCKET	1,00			--
S4	MECE00232		CONTACT NO	1,00			--
S4	MECI00173		SWITCH GREEN	1,00			--
S4	MEVR00904		LAMP SOCKET	1,00			--
S5	MECE00232		CONTACT NO	1,00			--
S5	MECI00174		SWITCH YELLOW	1,00			--
S5	MEVR00904		LAMP SOCKET	1,00			--
S6	MECE00232		CONTACT NO	1,00			--
S6	MECI00183		BUTTON	1,00			--
S7	MECI00181		MANIPULATING	1,00			--
S8	MECE00232		CONTACT NO	1,00			--
S8	MECI00176		BUTTON	1,00			--
S9	MECE00232		CONTACT NO	1,00			--
S9	MECI00173		SWITCH GREEN	1,00			--
S9	MEVR00904		LAMP SOCKET	1,00			--

Refer.	Component name	Functional description	Refer.	Component name	Functional description
B1	Temperature opening contact	Temperature switch, traction motor	K1	Contactora for vacuum motor	
BA1 24V	Battery, 24V		K2	Contactora for brush motors on/o	
BEM1	Battery discharge indicator	Switching off brush motors	K3	Contactora for traction control/	
B21	Buzzer	Acoustic warning signal	K4	Contactora for brush release	
C1	Capacitor, bipolar, 100µF/40V	Transient voltage suppressor, horn	M1	Waterpump 24V	
C2	Capacitor, bipolar, 2,2µF/400V	Transient suppressor, actuator BK	M2	Linear actuator 24V	Lifting/lowering brush head
D1	Diode 1N4007	Free wheeling diode	M3	Linear actuator 24V	Lifting/lowering squeegee
D2	Diode 1N5404	Free wheeling diode	M4	Brush motor 1, 24V/500W	
D3	Diode 1N5404	Free wheeling diode	M5	Brush motor 2, 24V/500W	
D4	Diode 1N5404	Free wheeling diode	M6	Vacuum motor 24V/520W	
D5	Diode 1N5404	Free wheeling diode	M7	SEM-traction motor 24V/700W	
D6	Diode 1N4007	Free wheeling diode	M8	Fan, 24V	Cooling of traction motor
D8	Diode 1N4007	Free wheeling diode	M9	Fan, 24V	Cooling of traction controller
D9	Diode 1N4007	Free wheeling diode	PCB 1	Foam cut off and waterpump cont	
D10	Diode 1N4007	Hardwired Or-Logic	PCB 2	Controller for cleaning devices	PCB for automatic mode
D11	Diode 1N4007	Hardwired Or-Logic	R1	Potentiometer, 22kOhm	Waterpump
D12	Diode 1N4007	Free wheeling diode	RE1	Relay	Lifting/Lowering squeegee
EL1	Probes	Sensing foam and dirt water	RE2	Relay	Lifting squeegee when reversing
F1	Blowout fuse 5A	Rotating beacon	RE3	Relay	Lifting brush head
F2	Blowout fuse 5A	Horn	RE4	Relay	Lowering brush head
F3	Blowout fuse 2A	Headlights	S2	Key switch	
F4	Blowout fuse 5A	Lin. act. sque.+ Relay vac. motor	S3	Switch brush on/off	Lift/Lower head, brushes on/off
F5	Plug automatic fuse 6A	Linear actuator, brush head	S4	Switch vacuum function on/off	Lift/lower squeegee, Vacuum motor on
F6	Plug automatic fuse 25A	Vacuum motor	S5	Switch automatic mode on/off	
F7	Plug automatic fuse 25A	Brush motor 2	S6	Push button for brush release	
F8	Plug automatic fuse 25A	Brush motor 1	S7	Direction switch for traction	
F9	Blowout fuse 10A (Flying arrange	Control circuitry	S8	Push button, horn	
F10	Blowout fuse 2A (Flying arrange	Battery discharge indicator	S9	Switch rotating beacon on/off	
F11	Strip fuse 80A	Traction control and motor	S10	Switch headlights on/off	
F12	Strip fuse 125A	Main fuse, battery	S13	Two-way switch	Upper reposition, brush head
F13	Strip fuse 50A	Protecting Vacuum motor, linear actu	S14	Two-way switch	Lower reposition, brush head
F14	Strip fuse 50A	Main fuse, brush motors	S15	Closing contact	Lower reposition, squeegee
F16	Blowout fuse 2A (Flying arrange	Buzzer	S16	Opening contact	Upper reposition, squeegee
F17	Fusibile 1A 5x20	Fan 1+2	S17	Closing contact	Seat micro switch
F99	fuse 4A	fuse for Foam cut off and waterpump	S18	Opening contact	Microswitch, crit. steering angle
H1	Rotating beacon		S19	Accelerator pedal	
H2	Headlight, left		S20	Closing contact	Microswitch, hand brake
H3	Headlight, right		SEM-X	Traction controller	SEM-controller 24V/110A
H4	Pilot lamp	Hand brake	SP1	Horn, 24V	
H5	Pilot lamp	Vacuum motor on/off	X2		
H6	Pilot lamp	Automatic mode on/off	X3	6-pin plug	Linear actuator, squeegee lifting/lo
H7	Pilot lamp	Brushes on/off	X4	2-pin plug	Waterpump
H8	Pilot lamp	Rotating beacon on/off	X5	12-pin plug	1st dashboard connector
H9	Pilot lamp	Headlights on/off	X6	2-pin plug	Battery disconnecter up to 175A
J1	Jumper	Jumper to SEM-X/A16/Sheet3	X7	6-pin plug	Thermo/Steering switch connector
J1	Jumper	Jumper to X9/Pin1/Sheet1	X8	6-pin plug	Connector for accelerator pedal
J2	Jumper	Jumper to RE2/30/Sheet2	X9	12-pin plug	2nd dashboard connector
J2	Jumper	Jumper to PCB1/S/Sheet1	X10	2-pin plug	Connector for battery disch. indicat
J3	Jumper	Jumper to X8/Pin4/Sheet3	X12	2-pin plug	Fan to cool traction motor
J3	Jumper	Jumper to F16/Sheet1	X13	2-pin plug	Fan to cool traction controller
J4	Jumper	Jumper to K3/3/Sheet3	X15	2-pin plug	Battery disconnecter up to 175A
J4	Jumper	Jumper to F11/Sheet1	Y1	Solenoid valve, 24V	

Emissione su WEB
Rev.00 del 07/04/06
PLDC01489 Pag.05

Ref. K	Part N.	Customer Part N.	Description	Qty	Validity: From To	Price
0000	PLDC01489		ELEC. DIAGRAM 142 BF 70/82	1,00		--