



IPC Integrated Professional Cleaning

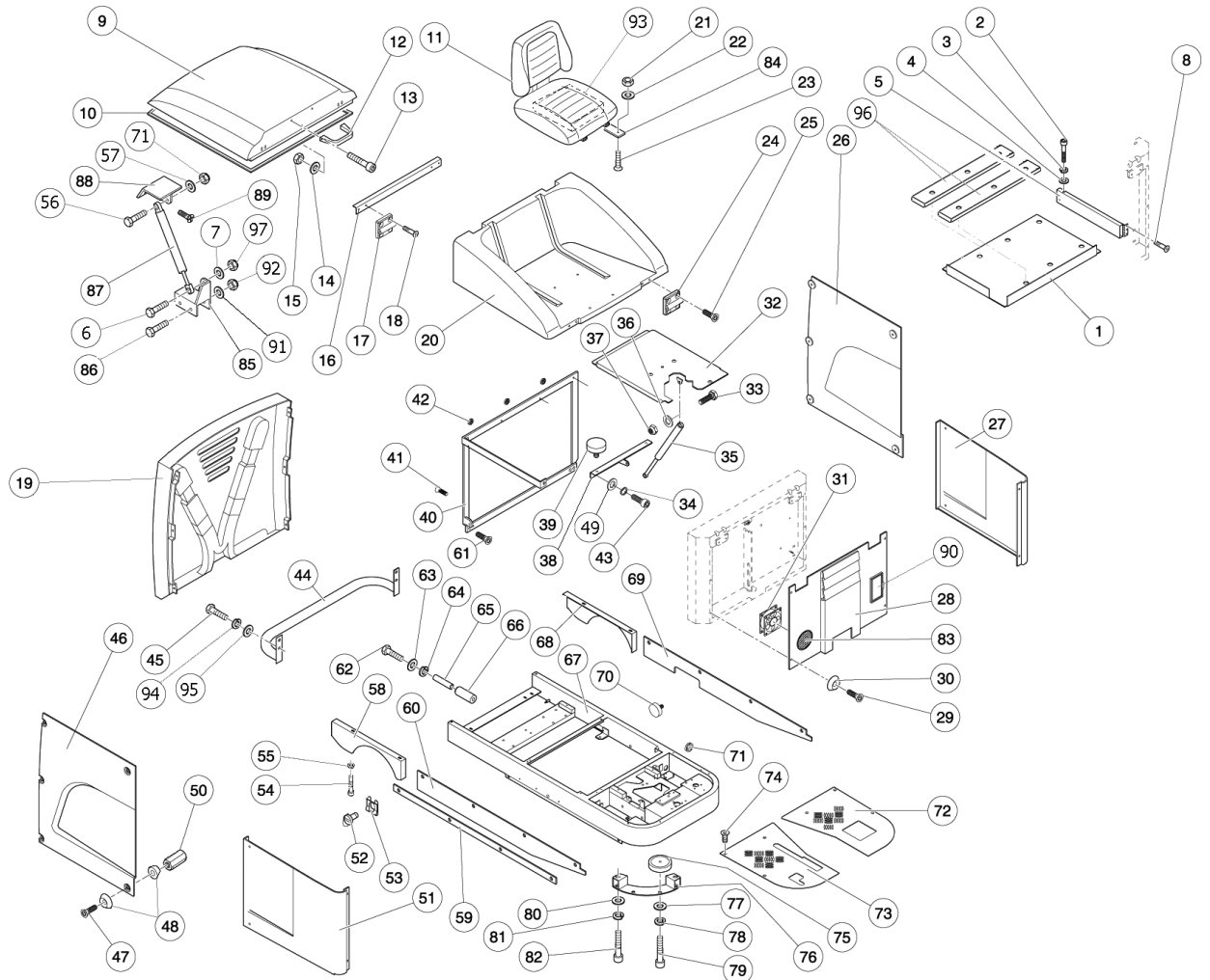
IPC Gansow

Spare Parts List

IPC . EAGLE

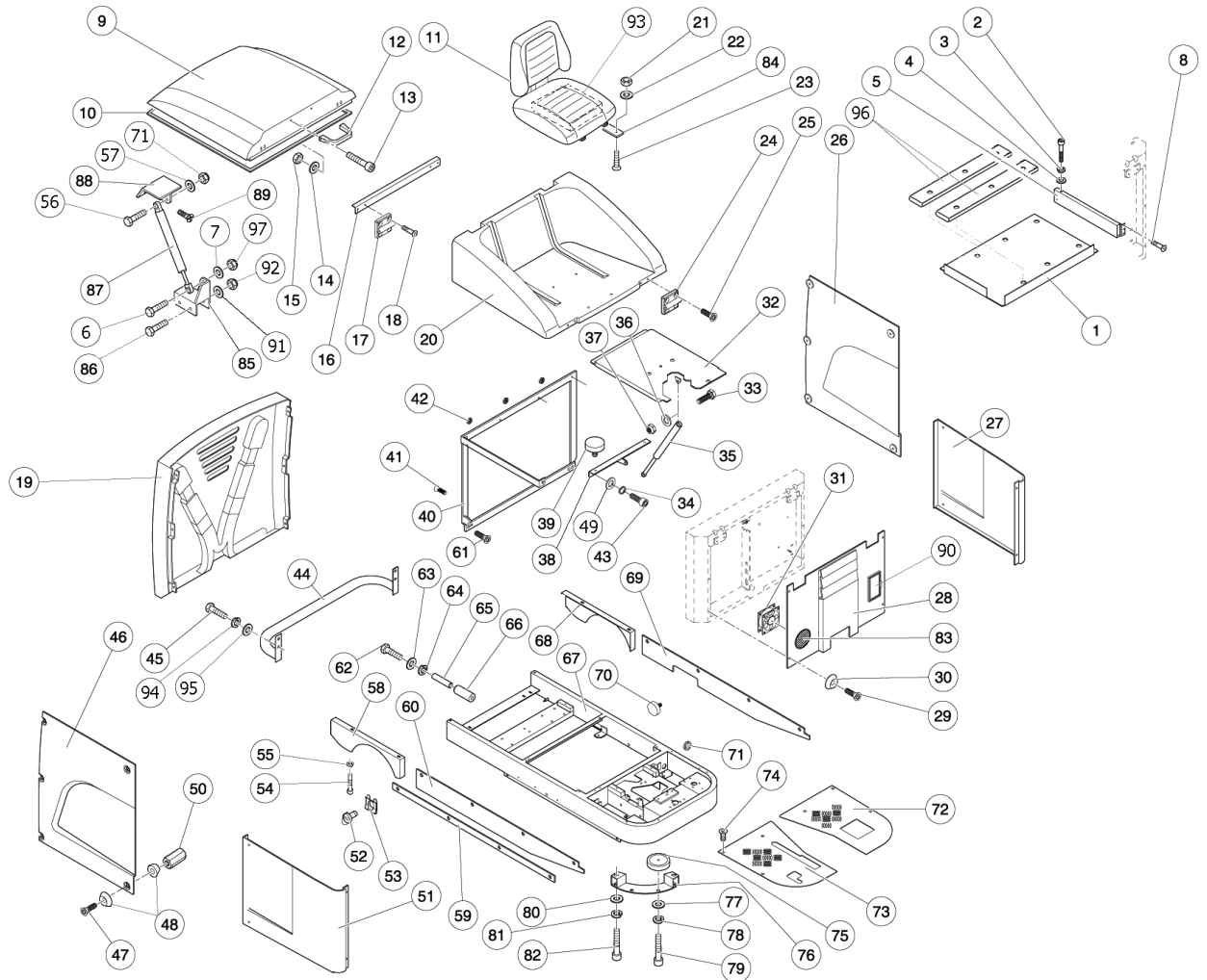
Ref: LPTB00096

Model: LAVASCIUGA TITAN 142 BF75C RULLI 3-01GSW



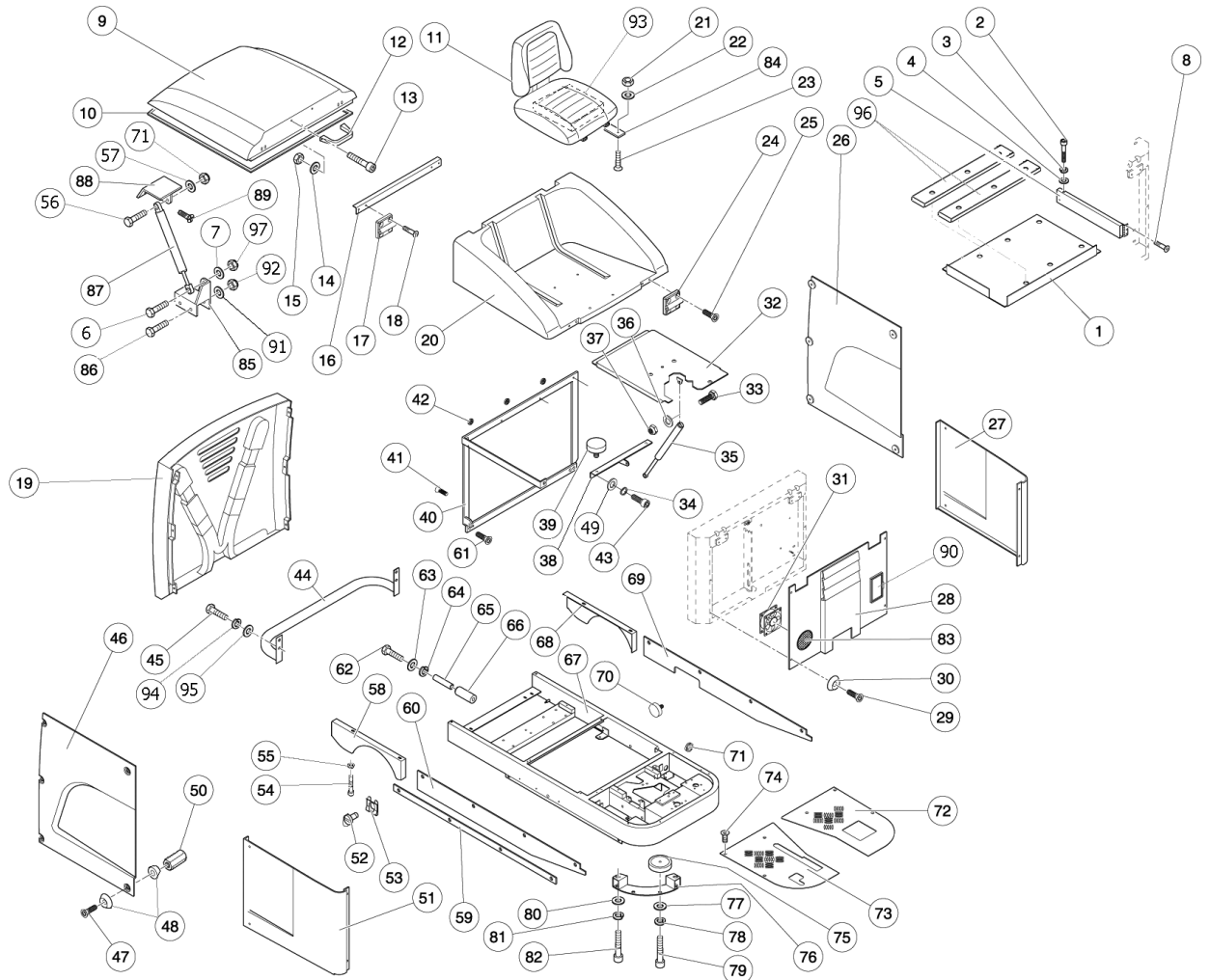
ISM00076

Ref. K	Part N.	Customer Part N.	Description	Qty	Validity: From To	Price
0001	LAFN02755		SUPPORT	1,00		--
0002	VTVT01324		SCREW TCEI M 6X80 UNI 5931 INX	1,00		--
0003	VTRS15144		WASHER D. 6 INX GRW UNI 1751	1,00		--
0004	VTRS13945		WASHER D. 6X18 INX UNI 6593	1,00		--
0005	LAFN02762		PROTECTION BATTERY	1,00		--
0006	VTVT13938		SCREW TE 8X20 UNI5739 INX	1,00		--
0007	VTRS13947		WASHER D. 8 INX UNI 6592	1,00		--
0008	VTVT13940		SCREW M 6X 20 TSPEI UNI 5933	1,00		--
0009	MPVR01445		COVER TANK	1,00		--
0010	MPVR00051		MOUSSE 15X5	2,24		--
0011	SESD00010		SEAT	1,00		--
0012	MPVR01499		HANDLE	1,00		--
0013	VTVT00426		SCREW TCEI 8X35 UNI5931	2,00		--
0014	VTRS13946		WASHER D. 8 X24 INX UNI 6593	2,00		--
0015	VTDD01695		NUT M 8 INX	2,00		--
0016	LAFN02756		REINFORCEMENT	1,00		--
0017	CEVR00044		HINGE	2,00		--
0018	VTVT30247		SCREW TSPEI M 6X 50 UNI 5933	4,00		--
0019	MPVR01447		BACK PANEL TANK	1,00		--
0020	MPVR01453		BONNET SEAT	1,00		--
0021	VTDD15521		NUT M 8 INX A2 UNI 5588	4,00		--
0022	VTRS00518		WASHER D. 8	4,00		--
0023	VTVT00179		SCREW TSPEI M 8X30	4,00		--
0024	CEVR00044		HINGE	2,00		--
0025	VTVT30246		SCREW TSPEI M 6X 30 UNI 5933	4,00		--
0026	MPVR01449		PANEL POSTERIOR LATERAL LEFT	1,00		--
0027	MPVR01451		PANEL FRONT LATERAL LEFT	1,00		--
0028	MPVR01452		ANT. PANEL	1,00		--
0029	VTVT13940		SCREW M 6X 20 TSPEI UNI 5933	4,00		--
0030	VTRS00118		WASHER D.6,4x16x13x4,5	4,00		--
0031	MEVR00917		VENTILATOR	1,00		--
0032	LAFN02806		PLATE SEAT BONNET	1,00		--
0033	VTVT13938		SCREW TE 8X20 UNI5739 INX	1,00		--
0034	VTRS15144		WASHER D. 6 INX GRW UNI 1751	2,00		--
0035	MLML00092		GAS SPRING 20 KG	1,00		--
0036	VTRS13947		WASHER D. 8 INX UNI 6592	1,00		--
0037	VTDD01696		NUT M 8 INX	1,00		--
0038	LAFN02736		CORNER PIECE	1,00		--
0039	ABGO00026		VIBRATION DAMP.	2,00		--



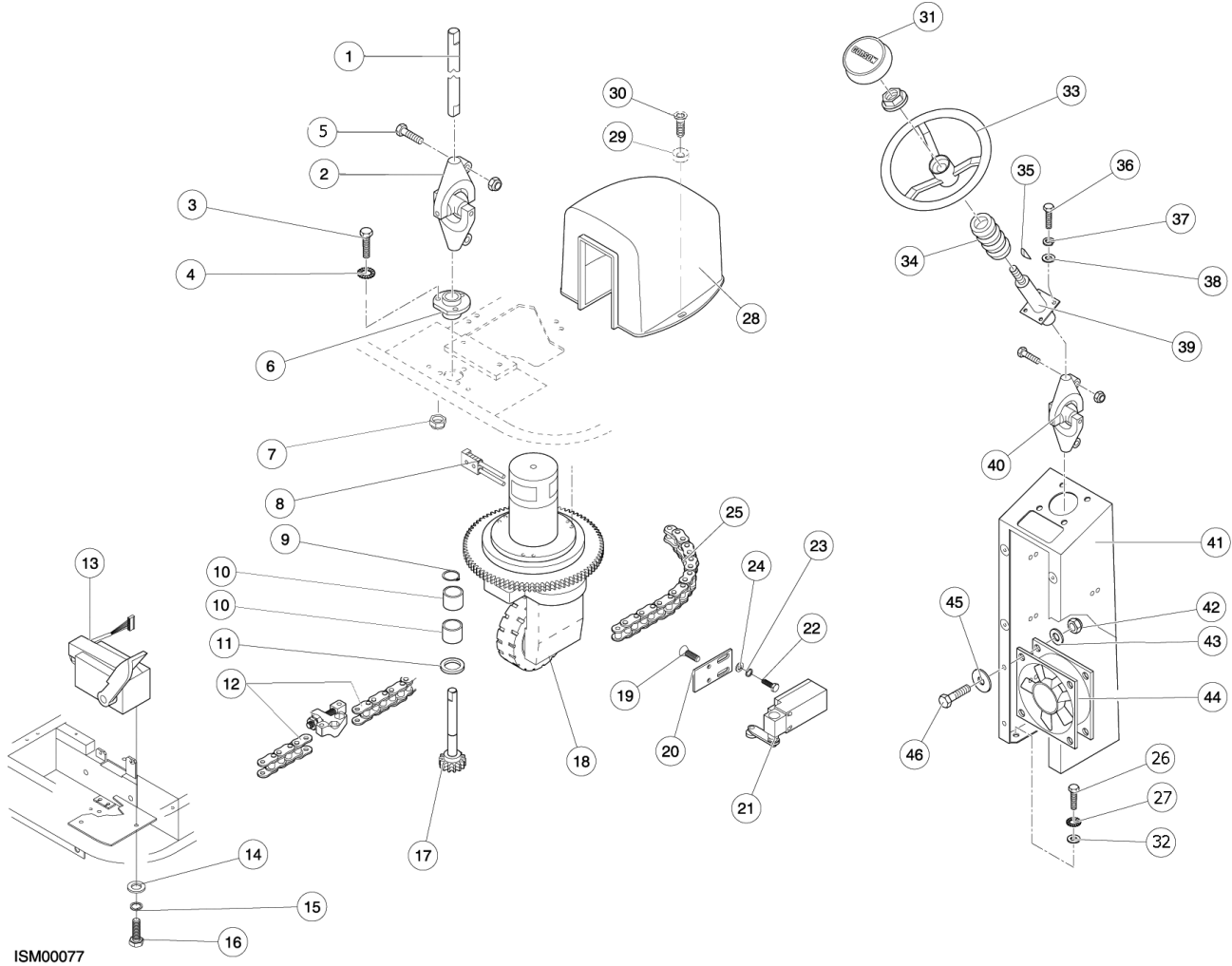
ISM00076

Ref.	K	Part N.	Customer Part N.	Description	Qty	Validity:	To	Price
						From		
0040		LAFN02752		SUPPORT	1,00			--
0041		VTVT00832		SCREW TSPEI M6X16 INOX	1,00			--
0042		ETET00149		PROTECTION	3,00			--
0043		VTVT00428		SCREW TCEI 6X20 UNI5931 INX	2,00			--
0044		LAFN02811		BACK BUMPER	1,00			--
0045		VTVT00425		SCREW TCEI "R" M8x20 DIN7984 A2	4,00			--
0046		MPVR01448		PANEL POSTERIOR LATERAL RIGHT	1,00			--
0047		VTVT13940		SCREW M 6X 20 TSPEI UNI 5933	10,00			--
0048		VTRS00118		WASHER D.6,4x16x13x4,5	12,00			--
0049		VTRS13945		WASHER D. 6X18 INX UNI 6593	1,00			--
0050		MPVR01570		SPACER M6 H=30	2,00			--
0051		MPVR01450		PANEL ANTERIOR LATERAL RIGHT	1,00			--
0052		LAFN01320		PIN	8,00		07/2006	--
0053		VTDD00031		FASTENER	8,00		07/2006	--
0054		VTVT00428		SCREW TCEI 6X20 UNI5931 INX	4,00			--
0055		VTRS15144		WASHER D. 6 INX GRW UNI 1751	4,00			--
0056		VTVT13938		SCREW TE 8X20 UNI5739 INX	1,00			--
0057		VTRS13947		WASHER D. 8 INX UNI 6592	1,00			--
0058		LAFN02719		CRANKCASE POSTERIOR RIGHT	1,00			--
0059		LAFN02721		PLATE HOLD INFERIOR PROTECTION	2,00		07/2006	--
0060		MPVR01463		PROTECTION LATERAL RIGHT	1,00		07/2006	--
0061		VTVT00299		SCREW TSPEI M6x25 UNI5933	4,00			--
0062		VTVT01310		SCREW TCEI 8X60 INOX UNI5931	2,00			--
0063		VTRS15146		WASHER D. 8 INX GRW UNI 1751	2,00			--
0064		VTRS13947		WASHER D. 8 INX UNI 6592	2,00			--
0065		LAFN01639		SPACER 8x12 L=41.5	2,00			--
0066		LAFN02740		ROLLER	2,00			--
0067		LAFN87646		FRAME TITAN 142	1,00			--
0068		LAFN02720		CRANKCASE POSTERIOR LEFT	1,00			--
0069		MPVR01462		PROTECTION LATERAL LEFT	1,00		07/2006	--
0070		ABGO00026		VIBRATION DAMP.	2,00			--
0071		VTDD15521		NUT M 8 INX A2 UNI 5588	1,00			--
0072		LAFN02750		PLANE	1,00			--
0073		LAFN02751		PLANE	1,00			--
0074		VTVT00832		SCREW TSPEI M6X16 INOX	6,00			--
0075		RTRT00012		WHEEL SCIOLTA 75/M/G	4,00			--
0076		LAFN02816		PLATE	2,00			--
0077		VTRS13946		WASHER D. 8 X24 INX UNI 6593	4,00			--
0078		VTRS15146		WASHER D. 8 INX GRW UNI 1751	4,00			--



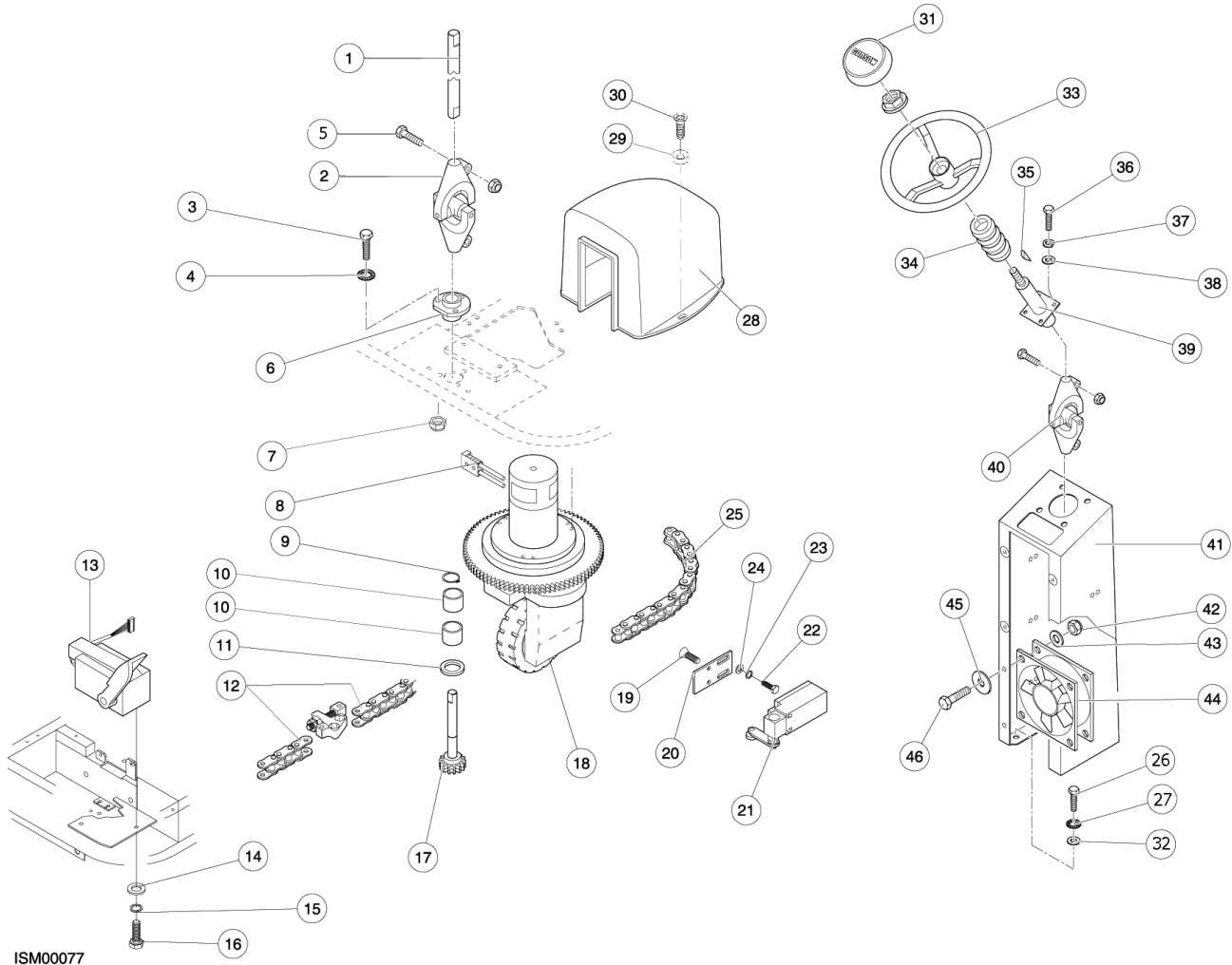
ISM00076

Ref.	K	Part N.	Customer Part N.	Description	Qty	Validity:		Price
						From	To	
0079		VTVT01310		SCREW TCEI 8X60 INOX UNI5931	4,00			--
0080		VTRS13946		WASHER D. 8 X24 INX UNI 6593	4,00			--
0081		VTRS15146		WASHER D. 8 INX GRW UNI 1751	4,00			--
0082		VTVT01310		SCREW TCEI 8X60 INOX UNI5931	4,00			--
0083		LAFN02931		BRACKET FAN COOLER	1,00			--
0084		LAFN01719		PLATE	2,00			--
0085		LAFN02795		BRACKET	1,00			--
0086		VTVT00392		SCREW M6x35 UNI5739 inox	2,00			--
0087		MLML00093		GAS SPRING 20 KG	1,00			--
0088		LAFN02794		BRACKET	1,00			--
0089		VTVT00237		SCREW TEB 4.8X19 UNI 8117	2,00			--
0090		MEVR00232		DOOR TO REMOVE AND RESET FUSE	1,00			--
0091		VTRS07728		WASHER D. 6 INX	1,00			--
0092		VTDD15518		NUT M 6 INX	1,00			--
0093		MECI00113		MICROSWITCH SEAT	1,00			--
0094		VTRS15146		WASHER D. 8 INX GRW UNI 1751	1,00			--
0095		VTRS13947		WASHER D. 8 INX UNI 6592	1,00			--
0096		VTDD01696		NUT M 8 INX	1,00			--
0097		VTDD15521		NUT M 8 INX A2 UNI 5588	1,00			--



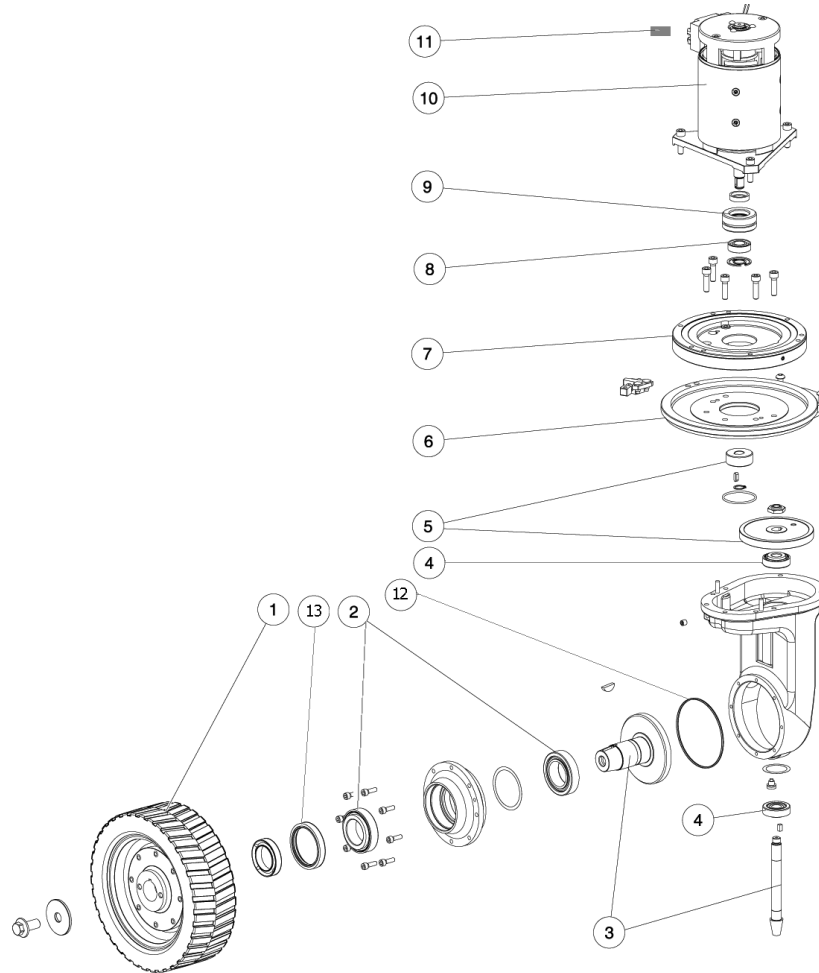
ISM00077

Ref. K	Part N.	Customer Part N.	Description	Qty	Validity:		Price
					From	To	
0001	ALTR00055		SHAFT STEERING	1,00			--
0002	MTIG00053		CARDANIC JOINT DIAMETER 17	1,00			--
0003	VTVT00448		SCREW TE 8X30 UNI5739	3,00			--
0004	VTRS01080		WASHER D. 8 GRW	3,00			--
0005	VTVT00450		SCREW TE 8X40 UNI5739	4,00			--
0006	LAFN01839		FLANGE	1,00			--
0007	VTDD00483		NUT M 8 ZIN UNI 5588	3,00			--
0008	MEVR00152		CONNECTOR SB 50A	1,00			--
0009	VTAE13512		CIRCLIP D. 17 UNI 7435	1,00			--
0010	LAFN02254		BUSHING	2,00			--
0011	VTRS00114		WASHER 17x35	1,00			--
0012	MTCR00039		JOINT LINK	2,00			--
0013	PIID00030		FEED PEDAL	1,00			--
0014	VTRS13947		WASHER D. 8 INX UNI 6592	3,00			--
0015	VTRS15146		WASHER D. 8 INX GRW UNI 1751	3,00			--
0016	VTVT13944		SCREW TCEI M 8X20 UNI 5931 INX	3,00			--
0017	MTIG00050		PINION STEERING UNIT	1,00			--
0018	MOCC00118		DRIVE ASSEMBLY D.250 24V TV-85	1,00			--
0020	LAFN02718		BRACKET MICROSWITCH	1,00			--
0021	MECI00128		MICROSWITCH AZ8104	1,00			--
0025	MTCR00028		CHAIN 5/8"-3/8" 53 PITCH	1,00			--
0026	VTVT00446		SCREW TE 8X20 UNI5739	4,00			--
0027	VTRS01080		WASHER D. 8 GRW	4,00			--
0028	MPVR01459		PROTECTION TRACTION MOTOR	1,00			--
0029	VTRS00119		WASHER UN.SCREWBLACK	2,00			--
0030	VTVT00225		SCREW TSPEI M4x16 UNI5933	2,00			--
0031	RCVR00146		CAP with label "GANSOW"	1,00			--
0032	VTRS00512		WASHER D. 8 X24 ZC.	4,00			--
0033	MPVR47027		STEERING WHEEL D. 320 L.14	1,00			--
0034	MPVR01496		PROTECTOR	1,00			--
0035	VTVR00299		WOODRUFF KEYS 6x40 UNI6606 ISO3912	1,00			--
0036	VTVT00446		SCREW TE 8X20 UNI5739	4,00			--
0037	VTRS01080		WASHER D. 8 GRW	4,00			--
0038	VTRS00512		WASHER D. 8 X24 ZC.	4,00			--
0039	ALTR00056		COLUMN steering	1,00			--
0040	MTIG00053		CARDANIC JOINT DIAMETER 17	1,00			--
0041	LAFN02739		COLUMN	1,00			--
0042	VTDD00055		NUT M 4 ATB A2	4,00			--
0043	VTRS00515		WASHER D. 4 INX	4,00			--



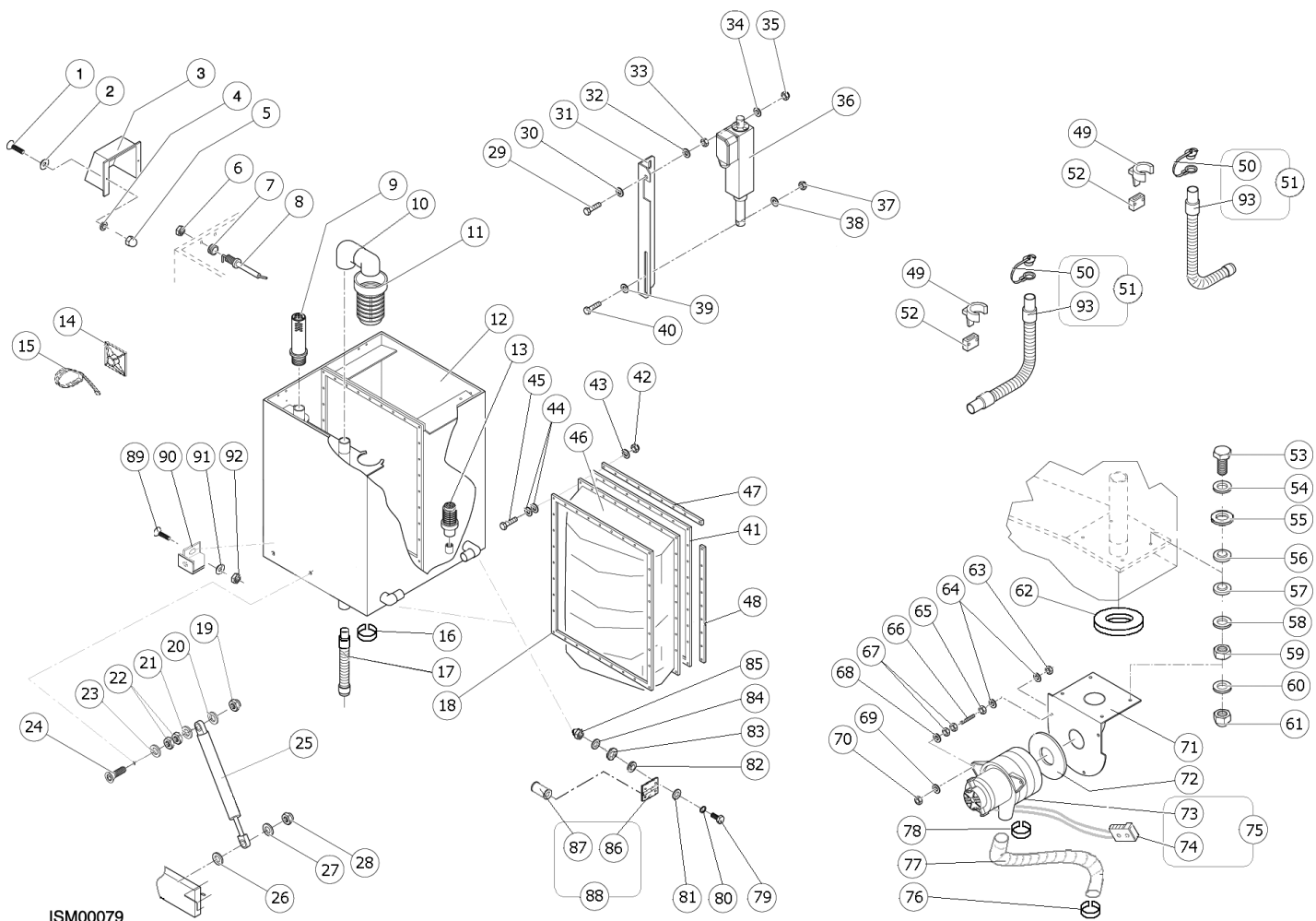
ISM00077

Ref. K	Part N.	Customer Part N.	Description	Qty	Validity:		Price
					From	To	
0044	MEVR00916		VENTILATOR	1,00			--
0045	VTRS05904		WASHER D. 4 X16 2.083	4,00			--
0046	VTVT01312		SCREW TSPEI 4X50 UNI5933 INX	4,00			--



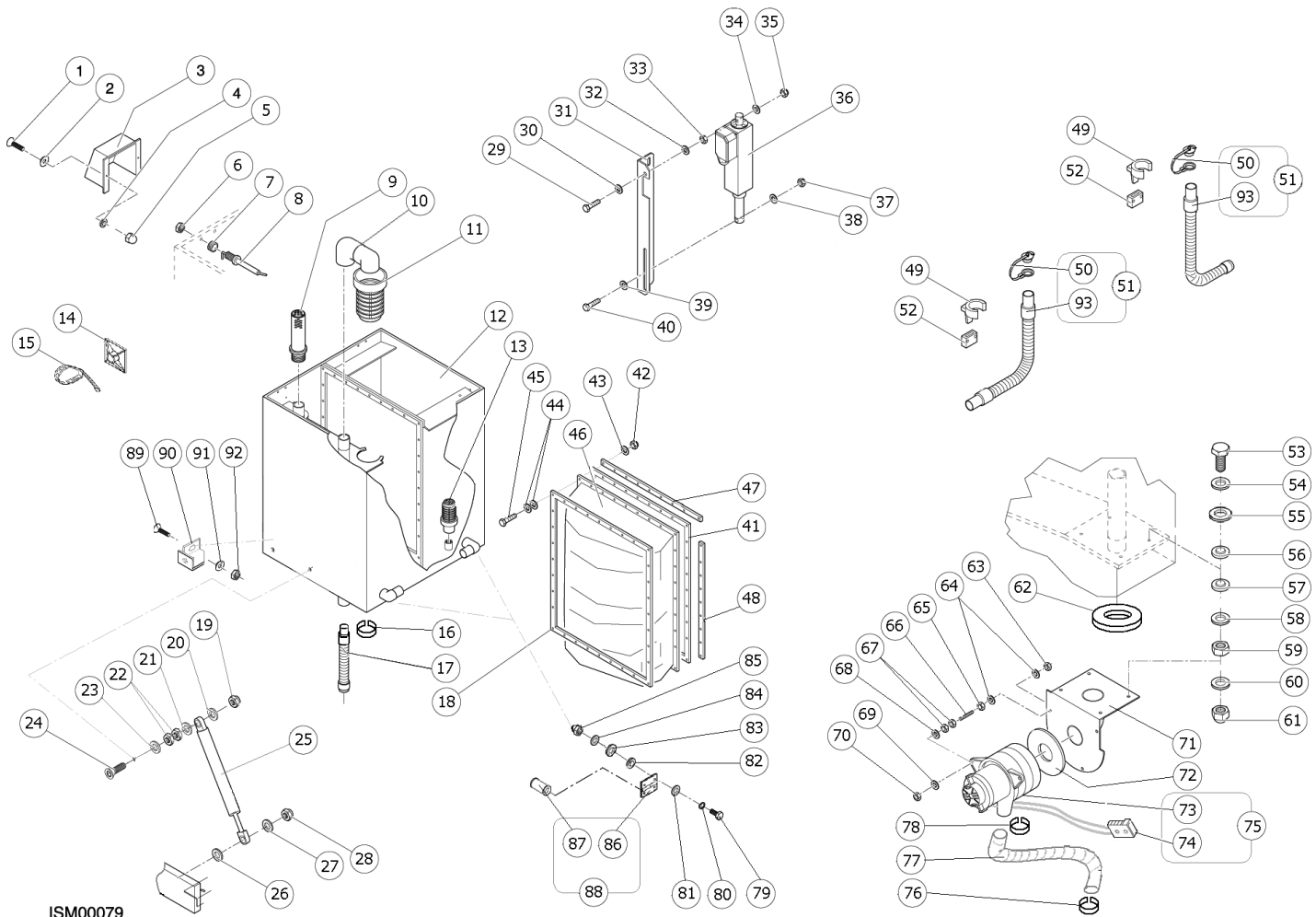
ISM00078

Ref. K	Part N.	Customer Part N.	Description	Qty	Validity:		Price
					From	To	
0001	RTRT00370		FORE WHEEL MODEL 142BF70/82	1,00			--
0002	CUVR00166		ROLLER BEARING 40x68x19 32008X 50031	2,00			--
0003	MTIG00019		GEAR DENTATO RIDUT.ECOL BRONZO	1,00			--
0004	CUVR00165		ROLLER BEARING 15x42x14.25 30302J2 50032	2,00			--
0005	MTIG00118		GEAR Z71 + Z24	1,00			--
0006	LAFN10083		FLANGE	1,00			--
0007	LAFN10082		THRUST BLOCK TV-85	1,00			--
0008	CUVR00167		BALL BEARING 17x35x10 50052	1,00			--
0009	CUVR00168		RING COD.2123	1,00			--
0010	MOCC00269		MOTOR 700 W SEM	1,00			--
0011	MEVR34439		CARBON 10X18X19	4,00			--
0012	MPVR07011		TANK SOLUZIONE CT75	1,00			--
0013	MPVR07012		TANK SOLUZIONE CT75	1,00			--



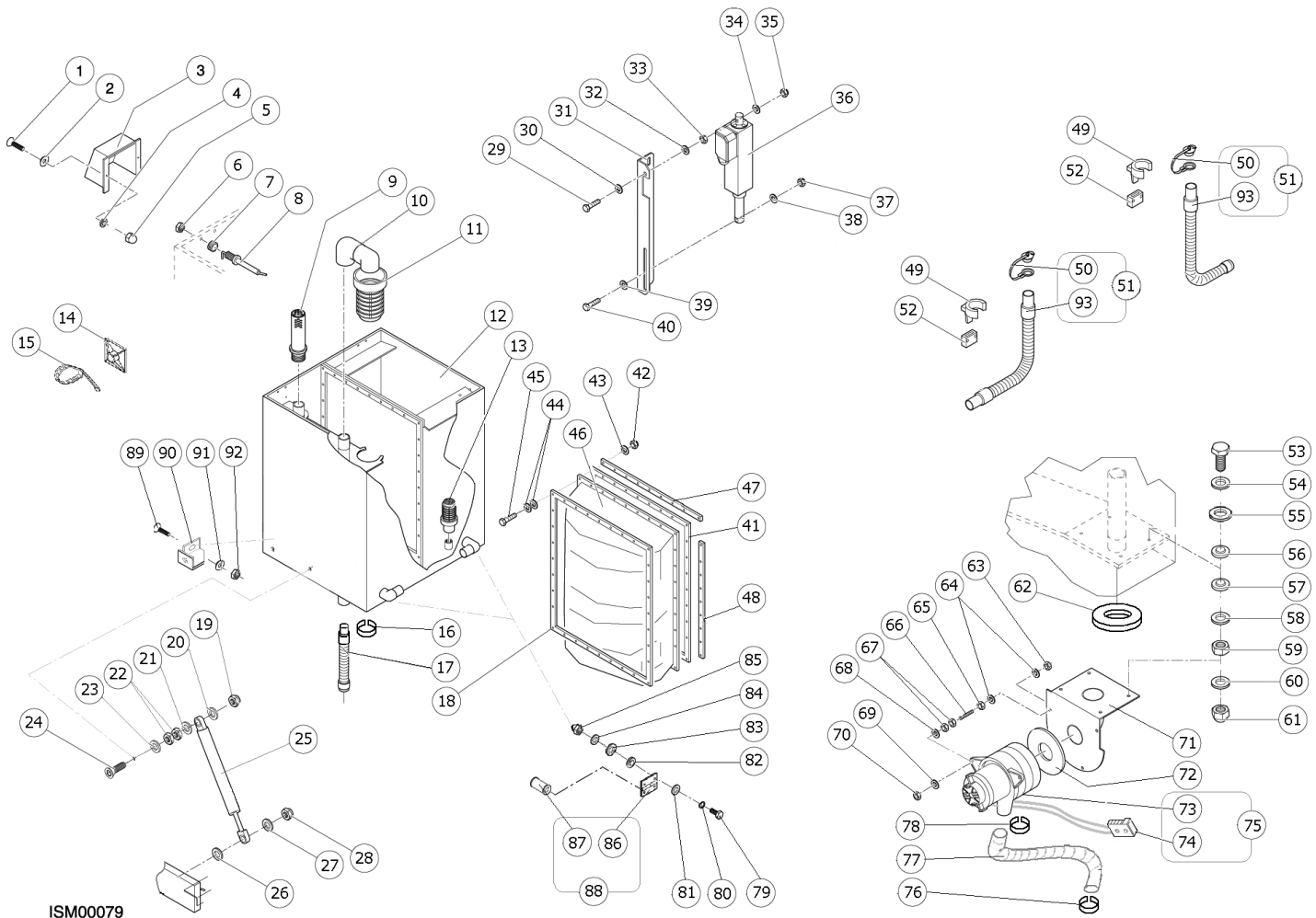
ISM00079

Ref.	K	Part N.	Customer Part N.	Description	Qty	Validity: From To	Price
0001		VTVT25909		SCREW M 6X 25 TSPEI UNI 5933	2,00	--	--
0002		VTRS00118		WASHER D.6,4x16x13x4,5	2,00	--	--
0003		MPVR01135		COVER	1,00	--	--
0004		VTRS07728		WASHER D. 6 INX	2,00	--	--
0005		VTDD48188		NUT M 6 CIE. INX A2 UNI 5721	2,00	--	--
0006		MEVR00161		CABLE CLAMP PG7 H 1007	2,00	--	--
0007		GUVR00034		GASKET electrodes	2,00	--	--
0008		MECI00386		ELECTRODE 62-88-70-97-119	2,00	--	--
0009		MPVR01049		FILTER AIR INLET	1,00	--	--
0010		FSVR00018		HOSE COLLAR 180°	1,00	--	--
0011		KTRI15043		WATER FILTER DIRTY INLET TANK	1,00	--	--
0012		MPVR01133		TANK	1,00	--	--
0013		FTAC00001		FILTER 1/2"	1,00	--	--
0014		MECE00246		TERMINAL BOARD 25X25	10,00	--	--
0015		FSVR00052		CLAMP 2,5X100	10,00	--	--
0016		FSVR00033		CLAMP 45-60	1,00	--	--
0017		TBFX00050		TUBE LENGHT 520	1,00	--	--
0018		LAFN01423		Membrane's fram62-88-142	1,00	--	--
0019		VTDD15518		NUT M 6 INX	2,00	--	--
0020		VTRS07728		WASHER D. 6 INX	2,00	--	--
0021		VTRS07728		WASHER D. 6 INX	2,00	--	--
0022		VTDD15520		NUT M 6 A2 UNI 5588 INX	4,00	--	--
0023		VTRS07728		WASHER D. 6 INX	2,00	--	--
0024		VTVT29523		SCREW M 6X 35 TSPEI UNI 5933	2,00	--	--
0025		MLML00093		GAS SPRING 20 KG	2,00	--	--
0026		VTRS07728		WASHER D. 6 INX	2,00	--	--
0027		VTRS07728		WASHER D. 6 INX	2,00	--	--
0028		VTDD15518		NUT M 6 INX	2,00	--	--
0029		VTVT03639		SCREW TE 8X45 UNI5737	1,00	--	--
0030		VTRS00504		WASHER D. 8 TE ZC. UNI 6592	1,00	--	--
0031		LAFN02727		BRACKET	1,00	--	--
0032		VTRS00504		WASHER D. 8 TE ZC. UNI 6592	1,00	--	--
0033		VTDD00483		NUT M 8 ZIN UNI 5588	1,00	--	--
0034		VTRS00504		WASHER D. 8 TE ZC. UNI 6592	1,00	--	--
0035		VTDD00041		SELF-LOCJ.NUT M 8 UNI7473 8.8 ZNT	1,00	--	--
0036		MECE00174		ATUATOR 24V AO-01/M C100V55	1,00	--	--
0037		VTDD00491		NUT M 6 TEF	1,00	--	--
0038		VTRS04026		WASHER D. 6X18X2.38	1,00	--	--
0039		VTRS04026		WASHER D. 6X18X2.38	1,00	--	--



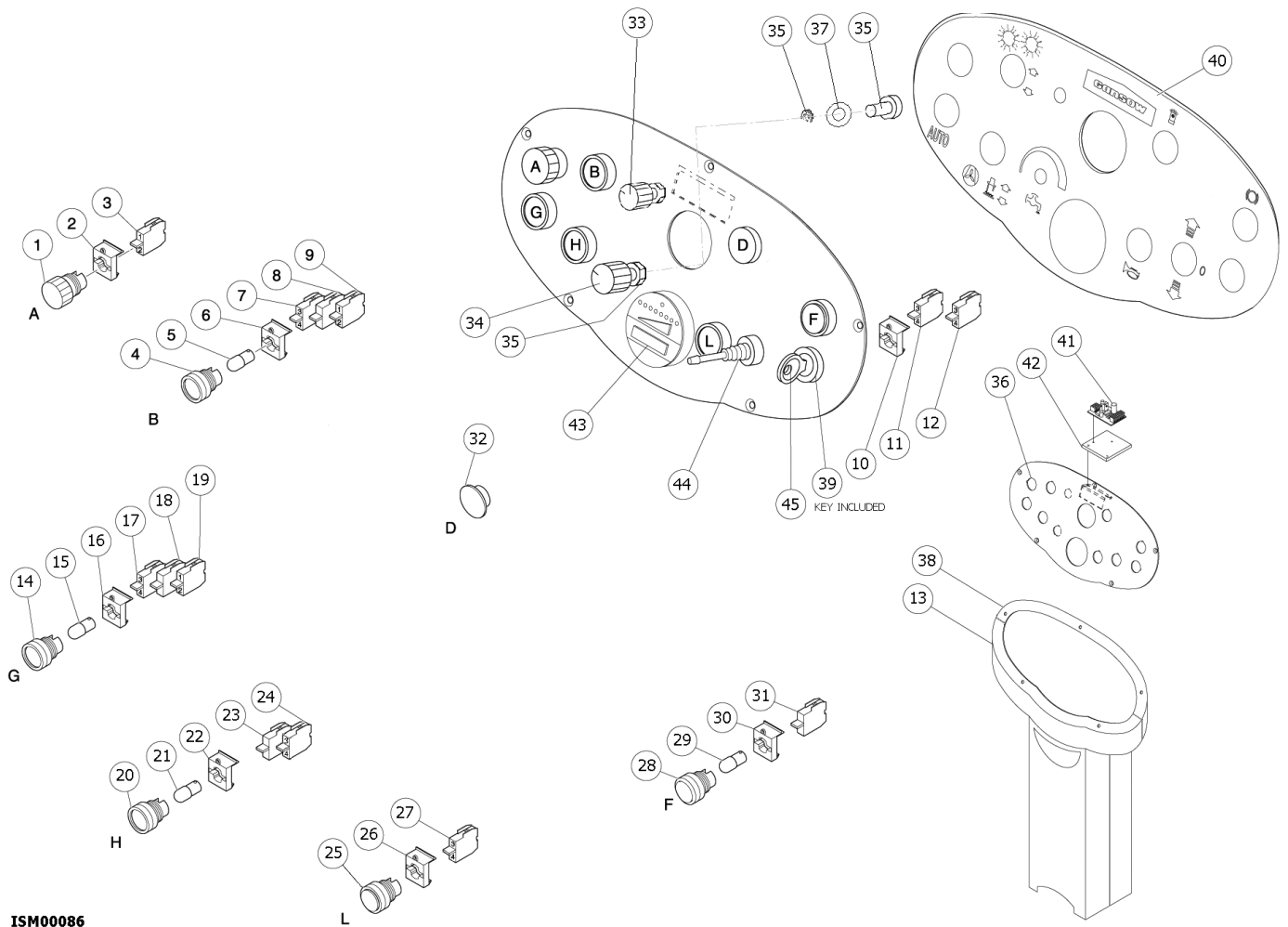
ISM00079

Ref.	K	Part N.	Customer Part N.	Description	Qty	Validity: From To	Price
0040		VTVT00248		SCREW TE M&x45 UNI5739 8.8 ZNT	1,00		--
0041		KTRI01535		GASKET 62-88-142	1,00		--
0042		VTDD48188		NUT M 6 CIE. INX A2 UNI 5721	40,00		--
0043		VTRS07728		WASHER D. 6 INX	40,00		--
0044		VTRS07728		WASHER D. 6 INX	80,00		--
0045		VTVT00433		SCREW TE M 6X 30 UNI 5739 INX	40,00		--
0046		MPVR01129		MAMBRANE TANK	1,00		--
0047		LAFN10092		PLATE L=460	2,00		--
0048		LAFN02814		PLATE L=488	2,00		--
0049		MPVR01084		HOOK	2,00		--
0050		RCVR00126		CAP DRAIN HOSE	2,00		--
0051		TBFX00013		TUBE DRAINAGE L=800	2,00		--
0052		RCVR00115		HOOK	2,00		--
0053		VTVT00433		SCREW TE M 6X 30 UNI 5739 INX	4,00		--
0054		VTRS13945		WASHER D. 6X18 INX UNI 6593	4,00		--
0055		VTRS13947		WASHER D. 8 INX UNI 6592	4,00		--
0056		VTRS00052		WASHER D.6	4,00		--
0057		VTRS00052		WASHER D.6	4,00		--
0058		VTRS13945		WASHER D. 6X18 INX UNI 6593	4,00		--
0059		VTDD15520		NUT M 6 A2 UNI 5588 INX	4,00		--
0060		VTRS13945		WASHER D. 6X18 INX UNI 6593	4,00		--
0061		VTDD15518		NUT M 6 INX	4,00		--
0062		GUVR00027		RING VACUUM	1,00		--
0063		VTDD00482		NUT M 6 ZIN UNI 5588	3,00		--
0064		VTRS00503		WASHER D. 6 TE UNI 6798	6,00		--
0065		VTDD00482		NUT M 6 ZIN UNI 5588	3,00		--
0066		CMCV00186		TIE ROD	3,00		--
0067		VTDD00482		NUT M 6 ZIN UNI 5588	6,00		--
0068		VTRS00503		WASHER D. 6 TE UNI 6798	3,00		--
0069		VTRS04026		WASHER D. 6X18X2.38	3,00		--
0070		VTDD15518		NUT M 6 INX	3,00		--
0071		LAFN02800		SUPPORT TURBINE	1,00		--
0072		GUVR00027		RING VACUUM	1,00		--
0073		MOMO00025		TURBINE	1,00		--
0074		MEVR00152		CONNECTOR SB 50A	1,00		--
0075		KTRI15044		TURBINE WITH CONNECTOR	1,00		--
0076		FSVR00033		CLAMP 45-60	1,00		--
0077		TBFX00052		HOSE LENGHT = 540	1,00		--
0078		FSVR00033		CLAMP 45-60	1,00		--



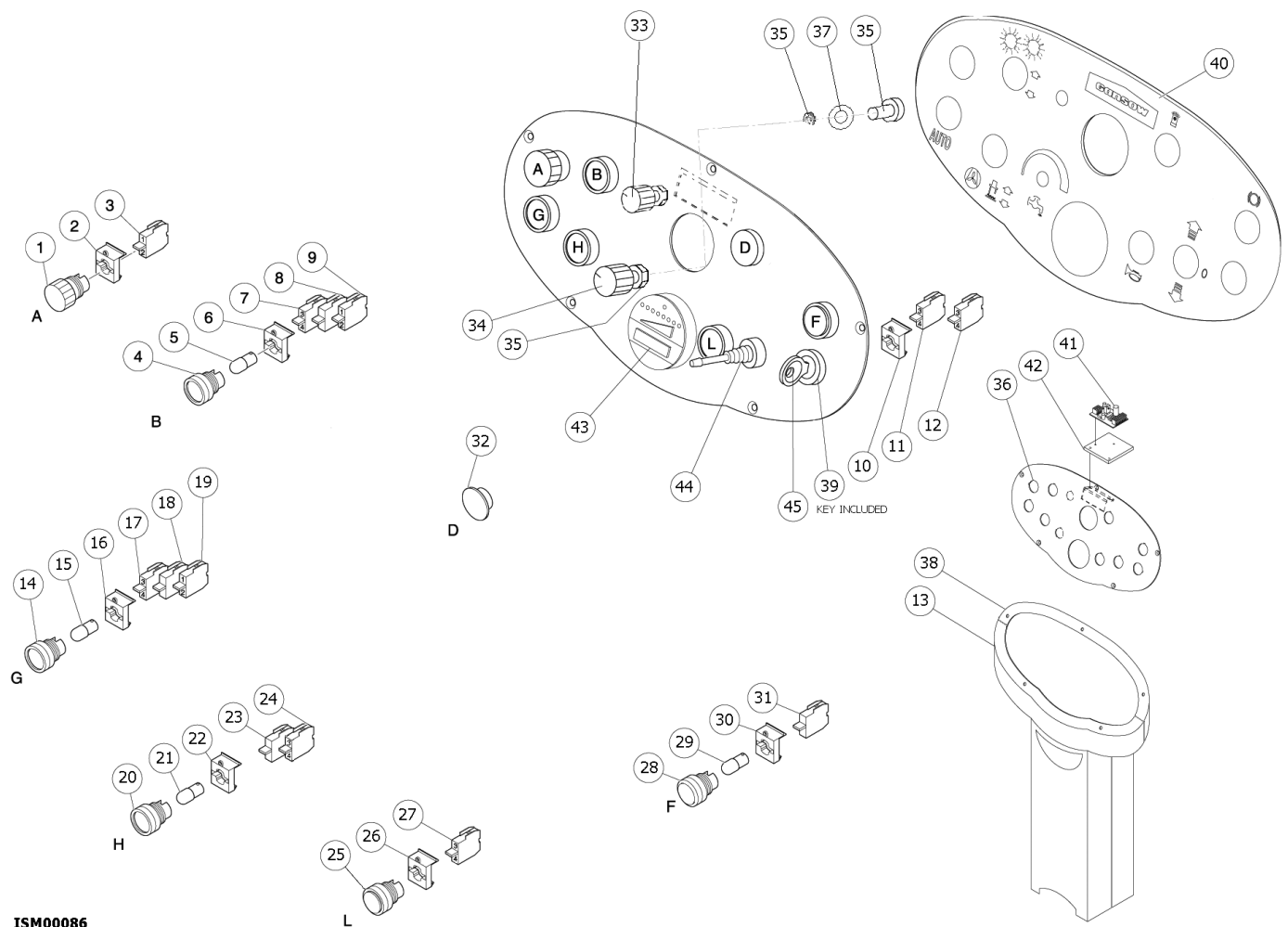
ISM00079

Ref. K	Part N.	Customer Part N.	Description	Qty	Validity:		Price
					From	To	
0079	VTVT00410		SCREW TE M8x35 UNI5739 INOX	4,00			--
0080	VTRS15146		WASHER D. 8 INX GRW UNI 1751	8,00			--
0081	VTRS13947		WASHER D. 8 INX UNI 6592	8,00			--
0082	VTRS00053		WASHER 8°	4,00			--
0083	VTRS15523		WASHER D.10 X21 INOX UNI 6592	4,00			--
0084	VTRS13947		WASHER D. 8 INX UNI 6592	4,00			--
0085	VTDD15911		NUT M8 UNI5721	4,00			--
0086	CEVR00040		HINGE	2,00			--
0087	VTVR00124		INSERT M8	4,00			--
0088	KTRI15045		HINGE WITH RIVET	2,00			--
0089	VTVT63134		SCREW M 8X25 TSPEI ZC UNI 5933	4,00			--
0090	LAFN02805		CORNER PIECE TANK	2,00			--
0090	VTRS01080		WASHER D. 8 GRW	4,00			--
0092	VTDD00483		NUT M 8 ZIN UNI 5588	4,00			--
0093	TBFX00053		TUBE DRAINAGE L=800	1,00			--



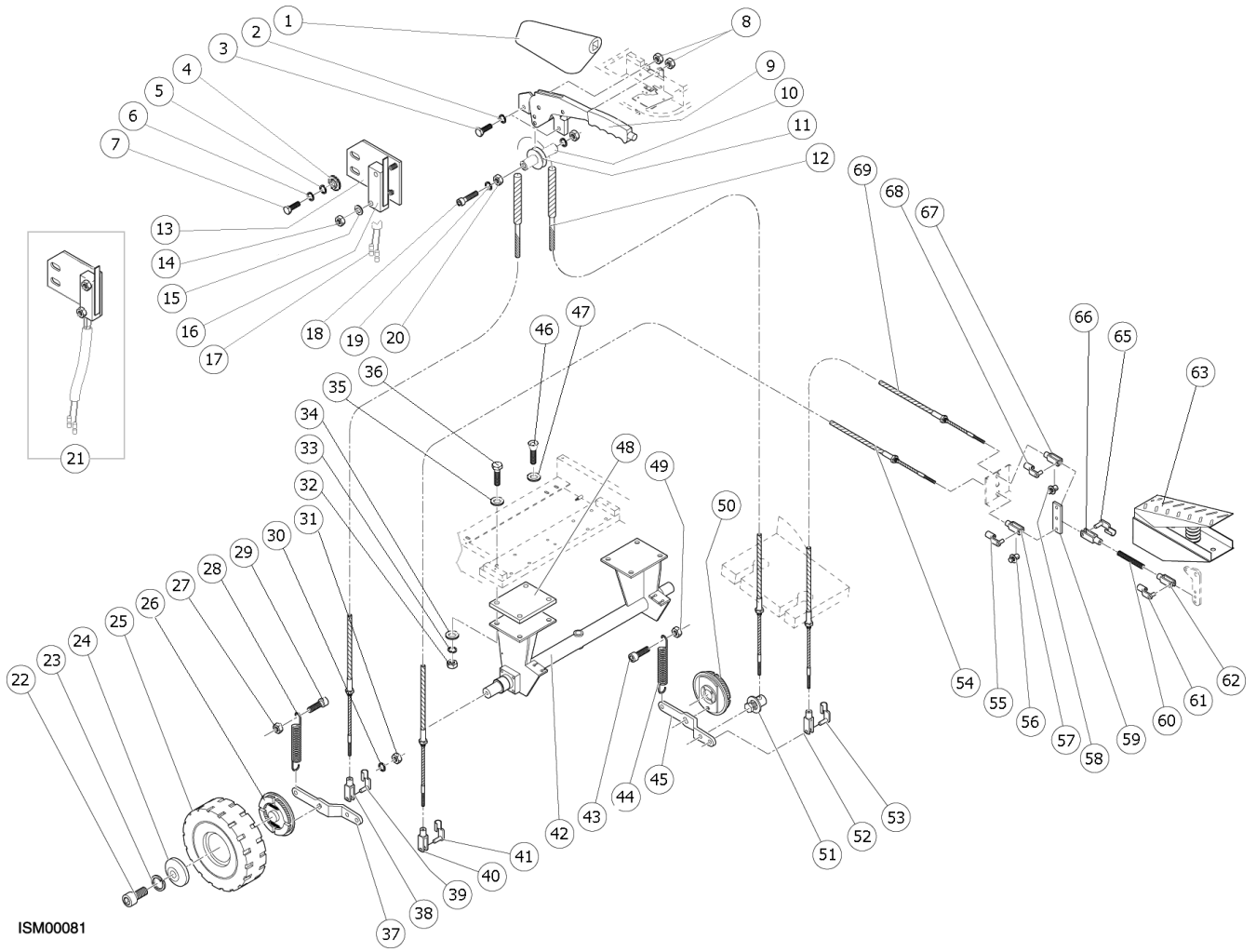
ISM00086

Ref.	K	Part N.	Customer Part N.	Description	Qty	Validity:		Price
						From	To	
0001		MECI00177		BUTTON EMERGENCY	1,00		10/2006	--
0001		MECI00527		STOP BUTTON	1,00	10/2006		--
0002		MECI00520		SMALL BASKET FIX TO FIX CONTACT	1,00	10/2006		--
0002		MPVR01566		PORTA CONTACTS	1,00		10/2006	--
0003		MECE00231		CONTACT NC	1,00		10/2006	--
0003		MECI00518		CONTACT NC	1,00	10/2006		--
0004		MECI00173		SWITCH GREEN	1,00		10/2006	--
0004		MECI00522		SWITCH GREEN	1,00	10/2006		--
0005		MEVR00905		LAMP 24V-2W BA 9s	1,00			--
0006		MECI00520		SMALL BASKET FIX TO FIX CONTACT	1,00	10/2006		--
0006		MPVR01566		PORTA CONTACTS	1,00		10/2006	--
0007		MECE00232		CONTACT NO	1,00		10/2006	--
0007		MECI00517		CONTACT NO 3-4	1,00	10/2006		--
0008		MECI00519		CONTACT LIGHT X1-X2	1,00	10/2006		--
0008		MEVR00904		LAMP SOCKET	1,00		10/2006	--
0009		MECE00231		CONTACT NC	1,00		10/2006	--
0009		MECI00518		CONTACT NC	1,00	10/2006		--
0010		MECI00520		SMALL BASKET FIX TO FIX CONTACT	1,00	10/2006		--
0010		MPVR01566		PORTA CONTACTS	1,00		10/2006	--
0011		MECE00232		CONTACT NO	1,00		10/2006	--
0011		MECI00517		CONTACT NO 3-4	1,00	10/2006		--
0012		MECE00232		CONTACT NO	1,00		10/2006	--
0012		MECI00517		CONTACT NO 3-4	1,00	10/2006		--
0013		MPVR01479		FRONT PANEL REAR SIDE	1,00			--
0014		MECI00174		SWITCH YELLOW	1,00		10/2006	--
0014		MECI00521		SWITCH YELLOW	1,00	10/2006		--
0015		MEVR00905		LAMP 24V-2W BA 9s	1,00			--
0016		MECI00520		SMALL BASKET FIX TO FIX CONTACT	1,00	10/2006		--
0016		MPVR01566		PORTA CONTACTS	1,00		10/2006	--
0017		MECE00232		CONTACT NO	1,00		10/2006	--
0017		MECI00517		CONTACT NO 3-4	1,00	10/2006		--
0018		MECI00519		CONTACT LIGHT X1-X2	1,00	10/2006		--
0018		MEVR00904		LAMP SOCKET	1,00		10/2006	--
0019		MECE00231		CONTACT NC	1,00		10/2006	--
0019		MECI00518		CONTACT NC	1,00	10/2006		--
0020		MECI00173		SWITCH GREEN	1,00		10/2006	--
0020		MECI00522		SWITCH GREEN	1,00	10/2006		--
0021		MEVR00905		LAMP 24V-2W BA 9s	1,00			--
0022		MECI00520		SMALL BASKET FIX TO FIX CONTACT	1,00	10/2006		--



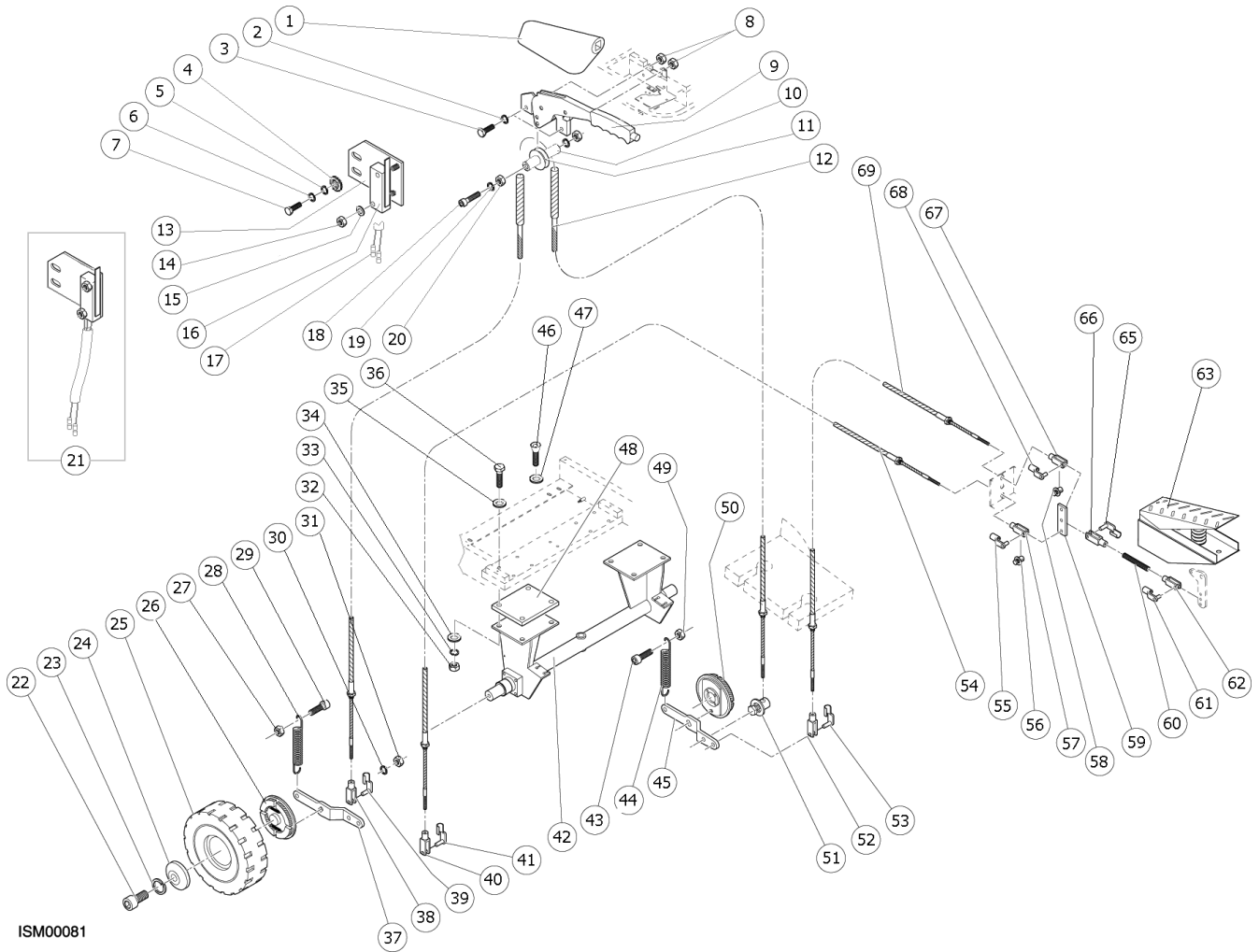
ISM00086

Ref.	K	Part N.	Customer Part N.	Description	Qty	Validity:		Price
						From	To	
0022		MPVR01566		PORTA CONTACTS	1,00		10/2006	--
0023		MECI00519		CONTACT LIGHT X1-X2	1,00	10/2006		--
0023		MEVR00904		LAMP SOCKET	1,00		10/2006	--
0024		MECE00232		CONTACT NO	1,00		10/2006	--
0024		MECI00517		CONTACT NO 3-4	1,00	10/2006		--
0025		MECI00176		BUTTON	1,00		10/2006	--
0025		MECI00524		BUTTON GREEN	1,00	10/2006		--
0026		MECI00520		SMALL BASKET FIX TO FIX CONTACT	1,00	10/2006		--
0026		MPVR01566		PORTA CONTACTS	1,00		10/2006	--
0027		MECE00232		CONTACT NO	1,00		10/2006	--
0027		MECI00517		CONTACT NO 3-4	1,00	10/2006		--
0028		MECI00526		RED LIGHT	1,00	10/2006		--
0028		MEVR00902		LED RED	1,00		10/2006	--
0029		MEVR00905		LAMP 24V-2W BA 9s	1,00			--
0030		MECI00520		SMALL BASKET FIX TO FIX CONTACT	1,00	10/2006		--
0030		MPVR01566		PORTA CONTACTS	1,00		10/2006	--
0031		MECI00519		CONTACT LIGHT X1-X2	1,00	10/2006		--
0031		MEVR00904		LAMP SOCKET	1,00		10/2006	--
0032		MECI00529		CAP DIAMETER 22	1,00	10/2006		--
0032		RCVR00262		CAP DIAMETER 22	1,00		10/2006	--
0033		MECI00195		DASHBOARD	1,00			--
0034		MPVR01118		KNOB POTENTIOMETER	1,00			--
0035		MECI00046		POTENTIOMETER 24V 22KOhm	1,00			--
0036		LAFN10020		BOARD DASHBOARD 142 BF 75 C	1,00			--
0037		LAFN02937		SPACER 10.2X17X2	1,00			--
0038		MPVR01478		FRONT PANEL FRONT SIDE	1,00			--
0039		MECI00525		BLOCK KEY INCLUDED	1,00	10/2006		--
0039		MEVR00903		BLOCK KEY	1,00		10/2006	--
0040		ETET01378		ADHESIVE DASHBOARD 142 BF 75 C	1,00			--
0041		MECE00121		BOARD	1,00			--
0042		LAFN02773		BRACKET DASHBOARD	1,00			--
0043		MESB00025		HOUR-COUNTER BAUSER 24V TYPO 855 24VDC	1,00			--
0044		MECI00181		MANIPULATING	1,00			--



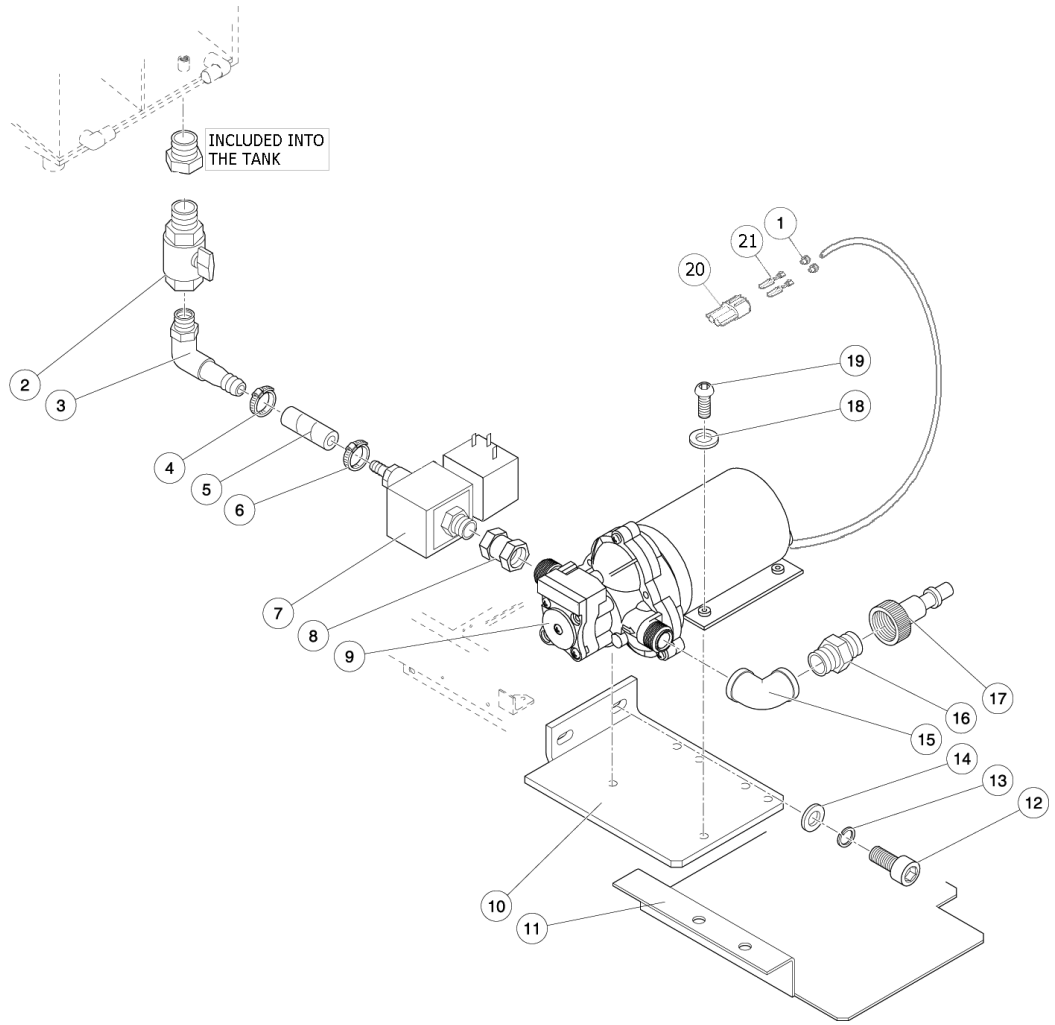
ISM00081

Ref. K	Part N.	Customer Part N.	Description	Qty	Validity: From To	Price
0001	MPVR01569		COWLING	1,00		--
0002	VTRS15146		WASHER D. 8 INX GRW UNI 1751	2,00		--
0003	VTVT15916		SCREW TE M 8X 16 UNI 5739 A2	2,00		--
0004	VTRS05904		WASHER D. 4 X16 2.083	2,00		--
0005	VTRS01579		WASHER D. 3 UNI 6592	2,00		--
0006	VTRS27296		WASHER GROWER 3 ZNT	2,00		--
0007	VTVT00722		SCREW	2,00		--
0008	VTDD15521		NUT M 8 INX A2 UNI 5588	2,00		--
0009	CMCV00179		LEVER PARKING BRAKE	1,00		--
0010	LAFN02791		SPACER	1,00		--
0011	MTPL00081		PULLEY BRAKE	1,00		--
0012	CMCV00188		CABLE PARKING BRAKE	1,00		--
0013	LAFN02801		SUPPORT	1,00		--
0014	VTDD04369		NUT M 4 TEF UNI 7473	2,00		--
0015	VTRS05904		WASHER D. 4 X16 2.083	2,00		--
0016	MECI00099		SWITCH	1,00		--
0017	MEVR00747		CONNECTOR DIAMETER 4 RED BM00130	2,00		--
0018	VTVT16676		SCREW M6X60 A2 UNI5931	1,00		--
0019	VTRS15144		WASHER D. 6 INX GRW UNI 1751	2,00		--
0020	VTDD15520		NUT M 6 A2 UNI 5588 INX	2,00		--
0021	KTRI15046		GROUP MICROSWITCH	1,00		--
0022	VTRS00089		WASHER WHEEL	2,00		--
0023	VTRS01081		WASHER D.10 GRW	2,00		--
0025	RTRT00146		REAR WHEEL RIGHT-LEFT SIDE	2,00		--
0026	RTRT00135		BLOCK BRAKE RIGHT SIDE 142	1,00		--
0027	VTDD01678		NUT M 5 UNI 5588	1,00		--
0028	MLML00065		SPRING L0=80 De=12 Df=1.7	1,00		--
0029	VTVT63024		SCREW TCEI M 5X 25 ZC UNI 5931	1,00		--
0030	VTRS13945		WASHER D. 6X18 INX UNI 6593	2,00		--
0031	VTDD01694		NUT M 6 INX	2,00		--
0032	VTDD15522		NUT M10 INOX UNI5588	8,00		--
0033	VTRS15909		WASHER D.10	8,00		--
0034	VTRS00505		WASHER D.10 TE UNI 6592	8,00		--
0035	VTRS15523		WASHER D.10 X21 INOX UNI 6592	8,00		--
0037	CMCV00180		LEVER RIGHT BRAKE	1,00		--
0038	CMCV00006		FORK UNI 1676 M6X24	1,00		--
0039	CMCV00009		CLIP UNI 1676	1,00		--
0040	CMCV00006		FORK UNI 1676 M6X24	1,00		--
0041	CMCV00009		CLIP UNI 1676	1,00		--



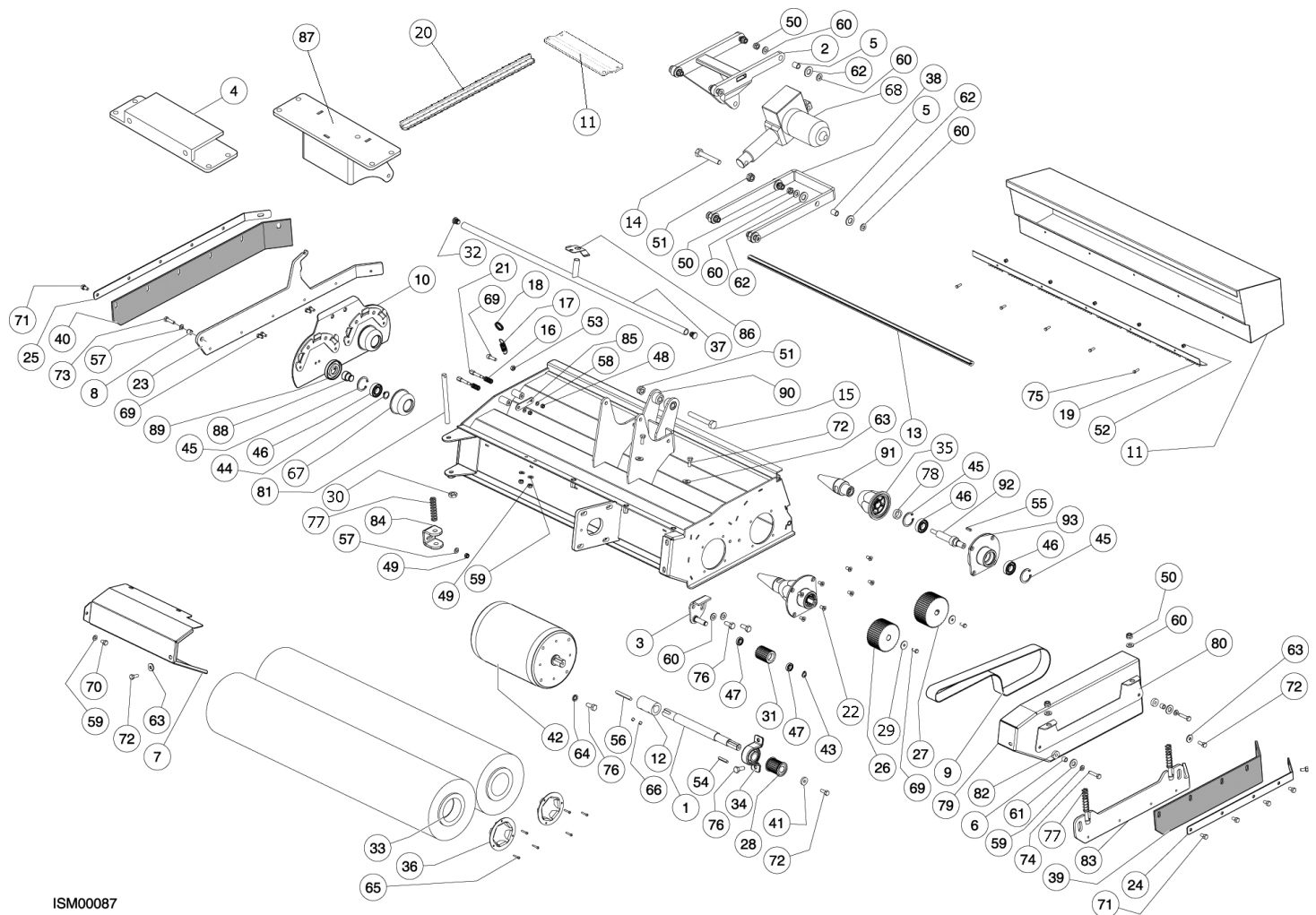
ISM00081

Ref. K	Part N.	Customer Part N.	Description	Qty	Validity:		Price
					From	To	
0042	LAFN02717		WHEELS AXLE TITAN 142	1,00			--
0043	VTVT63024		SCREW TCEI M 5X 25 ZC UNI 5931	1,00			--
0044	MLML00065		SPRING L0=80 De=12 Df=1.7	1,00			--
0045	CMCV00187		LEVER LEFT BRAKE	1,00			--
0047	VTRS15978		WASHER D.12X24 UNI 6592 INX	1,00			--
0048	LAFN02792		PLATE	2,00			--
0049	VTDD01678		NUT M 5 UNI 5588	1,00			--
0050	RTRT00136		BLOCK BRAKE LEFT SIDE 142	1,00			--
0051	MEVR00558		CLAMP D.8	1,00			--
0052	CMCV00006		FORK UNI 1676 M6X24	1,00			--
0053	CMCV00009		CLIP UNI 1676	1,00			--
0054	CMCV00189		CABLE BRAKE	1,00			--
0055	CMCV00009		CLIP UNI 1676	1,00			--
0056	MEVR00556		CLAMP DIAMETER 6	1,00			--
0057	CMCV00006		FORK UNI 1676 M6X24	1,00			--
0058	MEVR00556		CLAMP DIAMETER 6	1,00			--
0059	LAFN02735		BALANCER BRAKE FOOT	1,00			--
0060	VTVT01674		GRUB SCREW M 6x10 UNI 5927	1,00			--
0061	CMCV75717		CLIP UNI 1676 M6	1,00			--
0062	CMCV76639		FORK M 6 UNI 1676	1,00			--
0063	PIID00033		BRAKE PEDAL	1,00			--
0065	CMCV75717		CLIP UNI 1676 M6	1,00			--
0066	CMCV76639		FORK M 6 UNI 1676	1,00			--
0067	CMCV00006		FORK UNI 1676 M6X24	1,00			--
0068	CMCV00009		CLIP UNI 1676	1,00			--
0069	CMCV00190		CABLE BRAKE	1,00			--



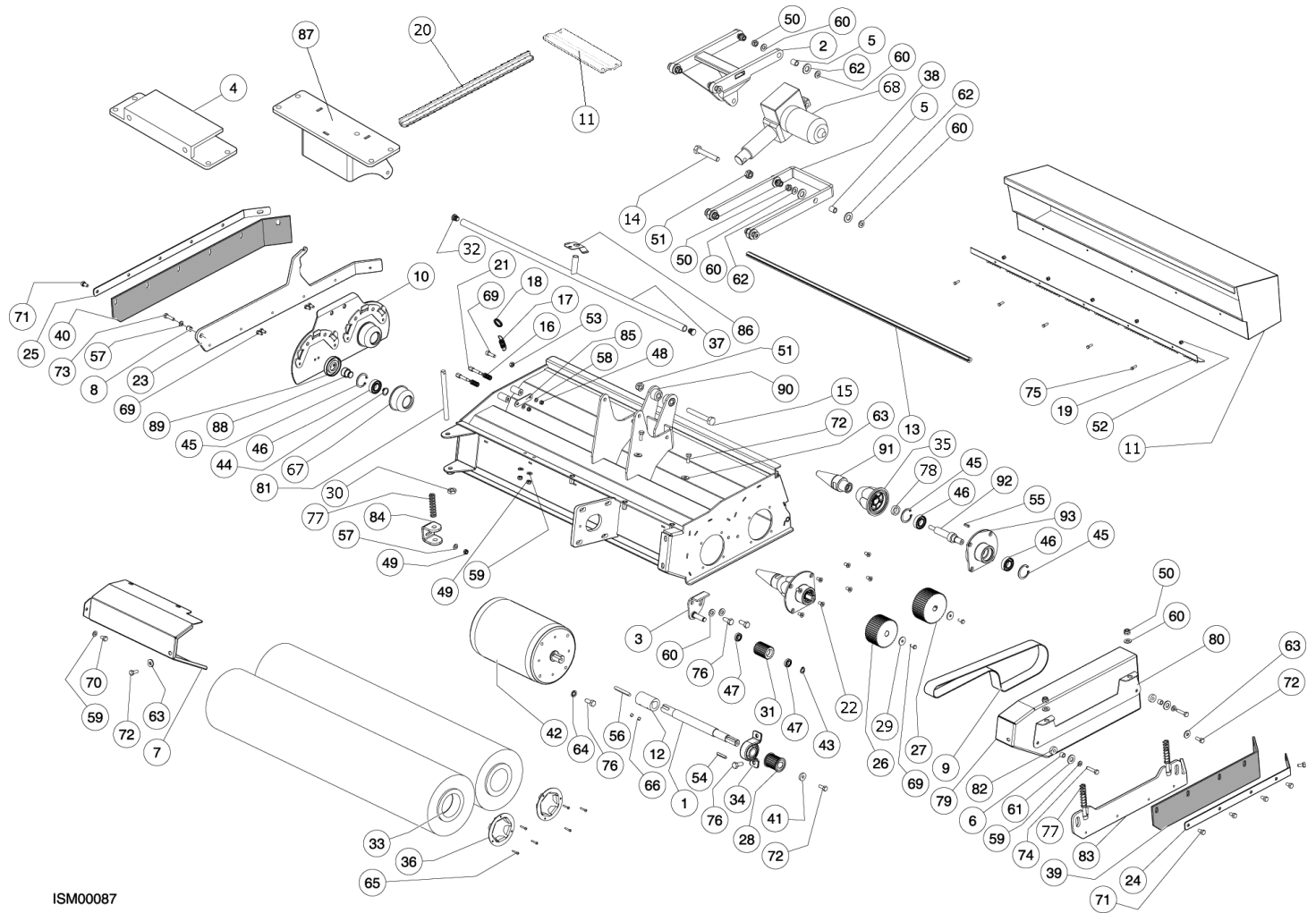
ISM00082

Ref. K	Part N.	Customer Part N.	Description	Qty	Validity:		Price
					From	To	
0001	GUVR00099		GASKET WIRING	2,00			--
0002	RCGR00030		TAP 1/2"	1,00			--
0003	RCVR00109		CURVE 90°	1,00			--
0004	MEVR00372		CLAMP 18,2 - 20,5	1,00			--
0006	MEVR00372		CLAMP 18,2 - 20,5	1,00			--
0007	MECI00073		SOLENOID VALVE 24V 3/8"	1,00			--
0008	TBFX48011		TUBE FLEX D.12X3 ARMORV.PVC TR	0,35			--
0009	PPBP00008		PUMP 24V	1,00			--
0010	LAFN02753		SUPPORT WATER PUMP	1,00			--
0011	LAFN02757		PROTECTION	1,00			--
0012	VTVT00717		SCREW TCEI M. 6-16	2,00			--
0013	VTRS15144		WASHER D. 6 INX GRW UNI 1751	4,00			--
0014	VTRS13945		WASHER D. 6X18 INX UNI 6593	4,00			--
0015	RCVR00094		CURVE 90° 1/2" F/F	1,00			--
0017	RCVR00103		JOINT R 1/2"	1,00			--
0018	VTRS13945		WASHER D. 6X18 INX UNI 6593	4,00			--
0019	VTVT00850		SCREW TBEI M6-25 A2 UNI7380	4,00			--
0020	MEVR00688		CONNECTOR	1,00			--
0021	MEVR00728		PIN	2,00			--



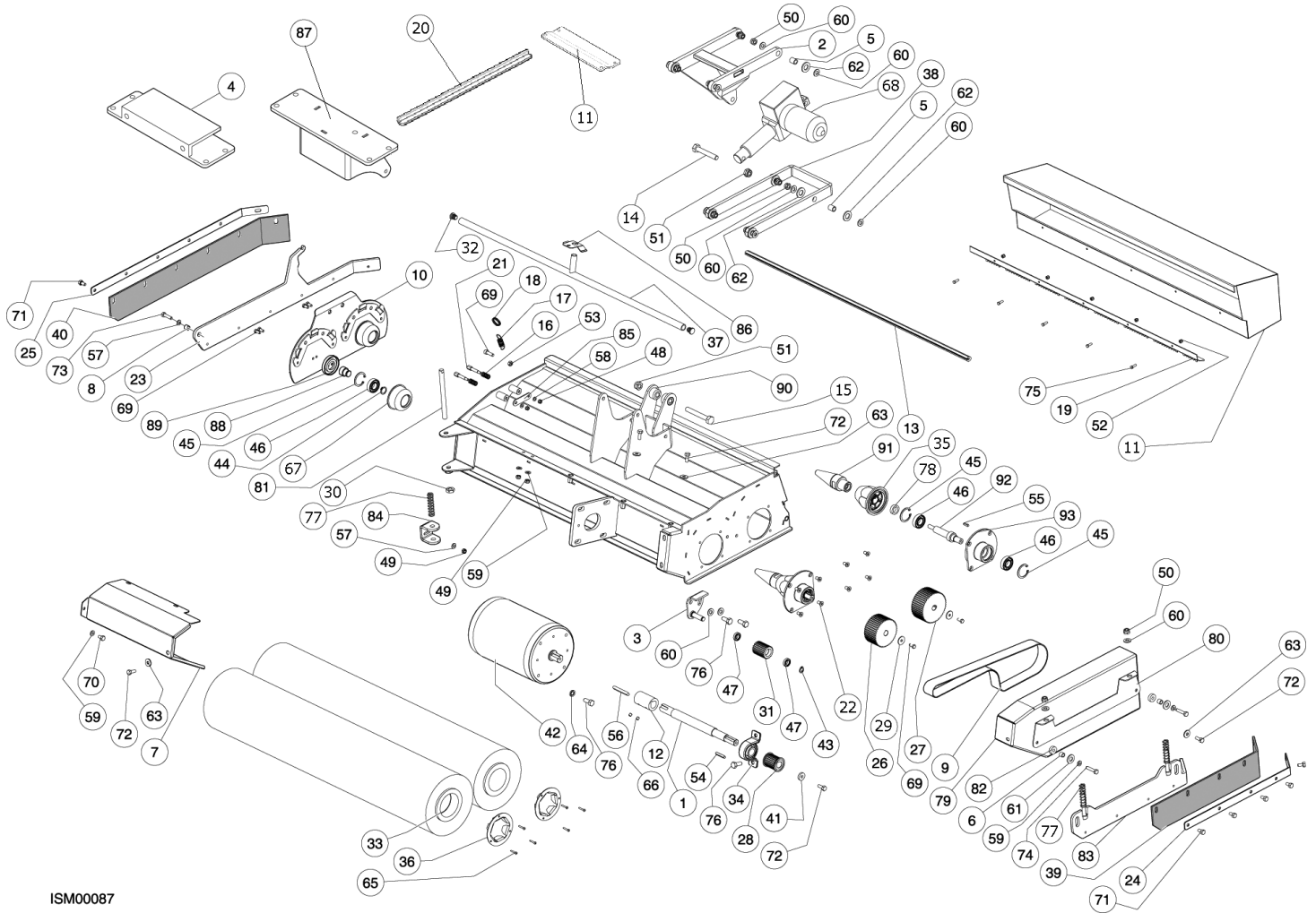
ISM00087

Ref.	K	Part N.	Customer Part N.	Description	Qty	Validity:		Price
						From	To	
0001		LAFN04178		SHAFT	PROLUNGA MOTORE P185	1,00		--
0002		LAFN05879		ASSEMBLED	BRACCIO SUPP.PARALLEL.	1,00		--
0003		LAFN05884		ASSEMBLED	TENDICINGHIA P185	1,00		--
0004		LAFN03058		SUPPORT	TITAN 142	1,00		--
0004		LAFN05886		DRAWER	TESTATA ARULLI METALL.	1,00		--
0005		LAFN04151		BUSHING	X PARALLELOGRAMMA	8,00		--
0006		LAFN04184		BUSHING	P185 ROLL.	2,00		--
0007		LAFN05891		CRANKCASE	ALBERO MOTORE P185	1,00		--
0008		LAFN04184		BUSHING	P185 ROLL.	1,00		--
0009		MTCG87404		BELT	DENT.835 RPP5DD 32MM	1,00		--
0010		LAFN09020		DOOR		1,00		--
0011		LAFN03065		BRACKET	TITAN 142 RULLI	1,00		--
0012		LAFN04177		JOINT	ALBERO MOTORE P185	1,00		--
0013		MPVR04922		GASKET	CASSETTO	1,00		--
0014		VTVT01002		SCREW	TE M10X65 INOX	1,00		--
0015		VTVT01000		SCREW	TE M 10-75 INOX UNI 5737	1,00		--
0016		MLML00248		SPRING	A COMPRESS. P185	2,00		--
0017		MLML00291		SPRING	FLAP LATERALE DX TESTATA	1,00		--
0018		MLML00292		SPRING	FLAP LAT. DX TESTATA	1,00		--
0019		LAFN05887		BULKWARD	CASSETTO P185	1,00		--
0020		LAFN03074		CROSS PIECE	TITAN 142 RULLI	1,00		--
0021		LAFN04180		PIN	CHIAVIST.PORTELLO P185	2,00		--
0022		VTVT00678		SCREW		8,00		--
0023		LAFN05881		PLATE	PORTAFLAP DX TESTATA P185	1,00		--
0024		LAFN05882		PLATE	FISSA FLAP SX TESTATA	1,00		--
0025		LAFN05883		PLATE	FISSA FLAP DX	1,00		--
0026		MTPL00152		PULLEY	RULLO SPAZZOLA ANTER,P185	1,00		--
0027		MTPL00153		PULLEY	RULLO SPAZZOLA	1,00		--
0028		MTPL00154		PULLEY	MOTORE TESTATA P185	1,00		--
0029		VTRS00013		WASHER	UNI 6592 18X34 ZB	2,00		--
0030		VTDD00008		NUT	UNI 5589 M10 BASSO ZB	1,00		--
0031		MTPL00155		ROLLER	TENDICINGHIA P185 ROLL.	1,00		--
0032		MPVR05163		TIE ROD	FISSA FILTRO	2,00		--
0033		SPPV00457		ROLLER	PP,0.5 SPAZZ.RULLI CLT160	2,00		--
0034		CUVR00170		BALL BEARING	SBPP 203	1,00		--
0035		MPVR05137		HUB	TRASCINATORE SPAZZ. CENT.	2,00		--
0036		LAFN05893		DRIVE DISK	SPAZZOLA P185 ROLLER	2,00		--
0037		LAFN05885		TUBE	DISTRIB. DETERGENTE P185	1,00		--
0038		LAFN05782		ARM	SUP./INF	1,00		--



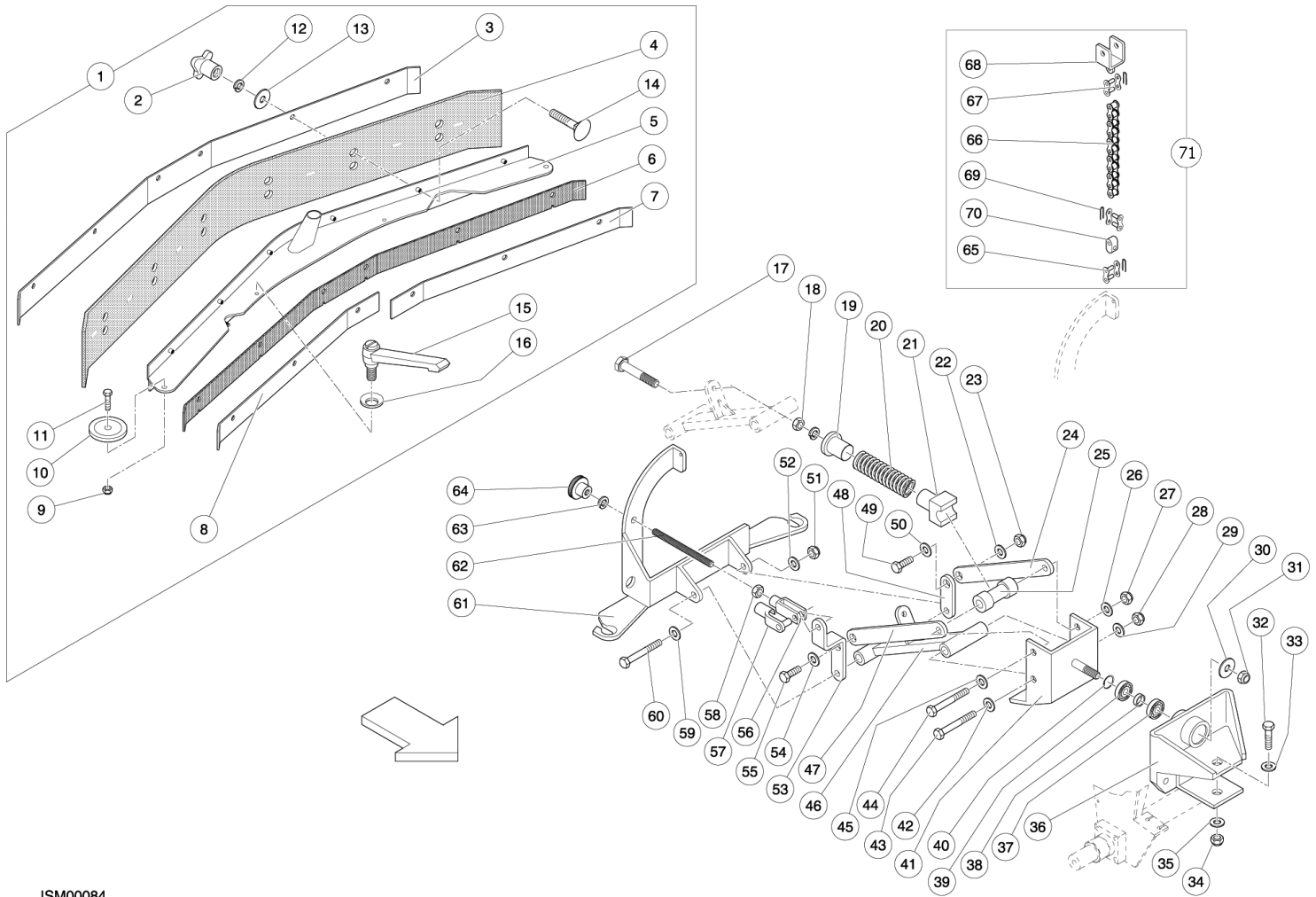
ISM00087

Ref. K	Part N.	Customer Part N.	Description	Qty	Validity: From	To	Price
0039	MPVR02846		FLAP LATERALE DX TESTATA	1,00			--
0040	MPVR02845		FLAP LATERALE SX TESTATA	1,00			--
0041	LAFN04179		WASHER FISSA PULEGGIA P185	1,00			--
0043	VTAE13511		CIRCLIP D. 10 UNI 7435	1,00			--
0044	VTAE17003		CIRCLIP D. 15 UNI 7435	2,00			--
0045	VTAE32478		CIRCLIP D. 32 UNI 7437	6,00			--
0046	CUVR06174		BALL BEARING 6002-2RS1	6,00			--
0047	CUVR22000		BALL BEARING 61800 2rs1	2,00			--
0048	VTDD00040		NUT M5 UNI7474	2,00			--
0049	VTDD00491		NUT M 6 TEF	3,00			--
0050	VTDD01695		NUT M 8 INX	10,00			--
0051	VTDD10310		NUT AUTOBL.M10 INOX DIN 985	5,00			--
0052	VTDD00039		NUT AUTOBLOCCANTE M4	5,00			--
0053	VTDD00053		NUT M6 INOX UNI5589	1,00			--
0054	VTVR13164		KEY 5X5X30	1,00			--
0055	VTVR62776		KEY M4X4X16 UNI 6604	2,00			--
0056	VTVR00301		KEY 6X6X50	1,00			--
0057	VTRS00503		WASHER D. 6 TE UNI 6798	2,00			--
0058	VTRS00502		WASHER D. 5 0.466 UNI 6592	2,00			--
0059	VTRS00503		WASHER D. 6 TE UNI 6798	5,00			--
0060	VTRS13947		WASHER D. 8 INX UNI 6592	16,00			--
0061	VTRS15523		WASHER D.10 X21 INOX UNI 6592	2,00			--
0062	VTRS15978		WASHER D.12X24 UNI 6592 INX	12,00			--
0063	VTRS13945		WASHER D. 6X18 INX UNI 6593	5,00			--
0064	VTRS00269		WASHER D. 8 DIN 6798-A INX A2	4,00			--
0065	VTVT00744		SCREW	6,00			--
0066	VTVT01301		GRUB SCREW M 6 X 6 UNI 5929	2,00			--
0067	MPVR04720		ROLLER	2,00			--
0069	VTVT01300		SCREW TE M5X12 INOX	7,00			--
0070	VTVT01303		SCREW TE M6-10 INOX	1,00			--
0071	VTVT15906		SCREW TE 6X 12 A2 UNI 5739	11,00			--
0072	VTVT15143		SCREW TE 6X16 UNI5739	6,00			--
0073	VTVT15141		SCREW TE M 6X 25 UNI 5739 INX	1,00			--
0074	VTVT00433		SCREW TE M 6X 30 UNI 5739 INX	2,00			--
0075	VTVT00817		SCREW TE M4x12 UNI 5739 INOX	5,00			--
0076	VTVT13938		SCREW TE 8X20 UNI5739 INX	8,00			--
0079	LAFN06393		CRANKCASE TRASMISSIONE P185	1,00			--
0080	LAFN06394		PLATE REAZIONE FLAP SX	1,00			--
0081	LAFN06395		PIN REGISTRO FLAP DX	1,00			--



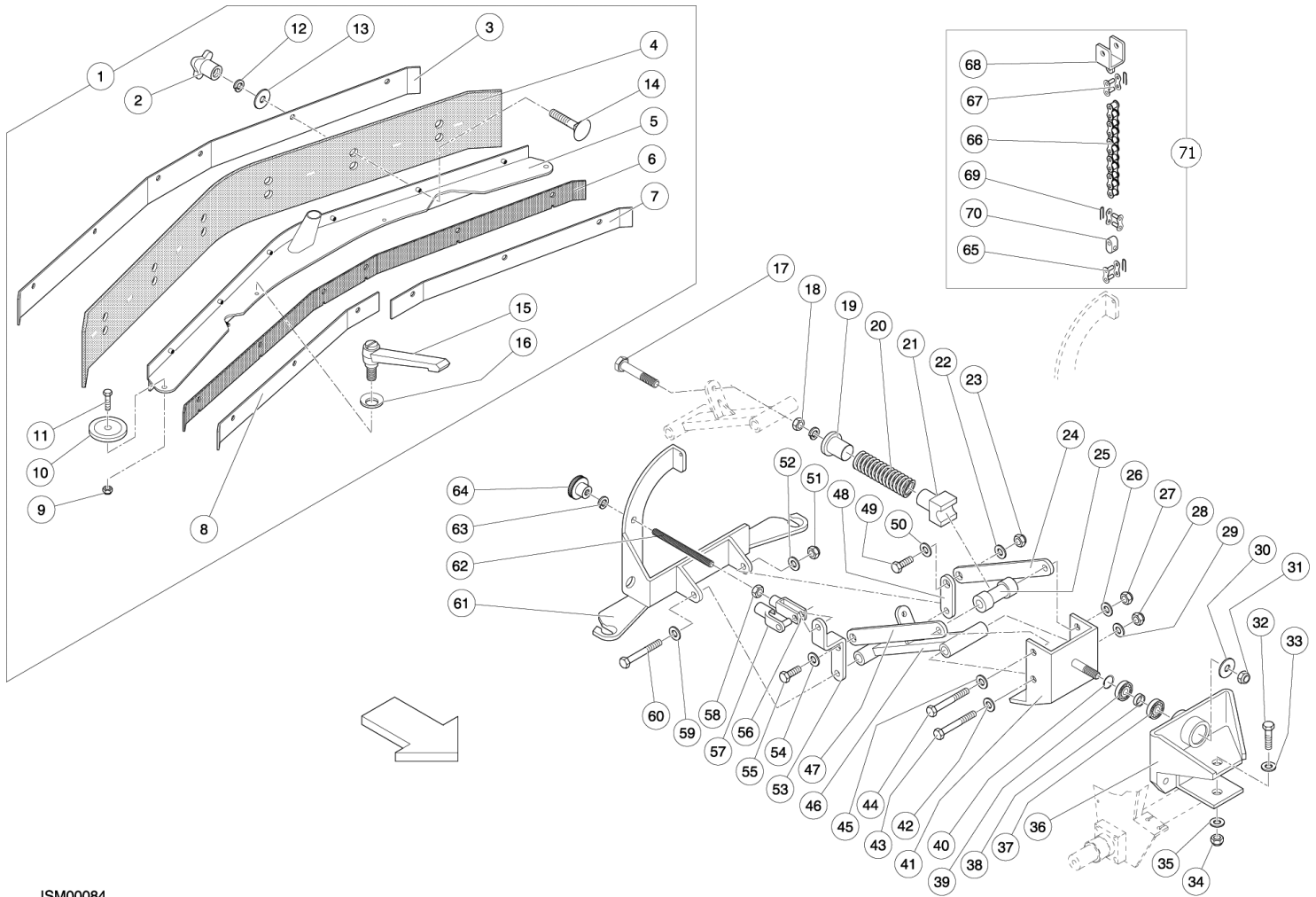
ISM00087

Ref. K	Part N.	Customer Part N.	Description	Qty	Validity:		Price
					From	To	
0082	LAFN06396		SPACER FLAP SX	2,00			--
0083	LAFN06397		DOOR FLAP SX COMPLETO	1,00			--
0084	LAFN07033		BRACKET FLAP DX	1,00			--
0085	LAFN07034		SHEET METAL PA.SGANCIO PORTELLO	1,00			--
0086	LAFN07035		BRACKET FERMATUBO DETERGENTE	1,00			--
0087	LAFN51035		SUPPORT TEST.RULL.GANS	1,00			--
0088	LAFN09021		PIN SOSTEGNO SPAZZOLA P185	2,00			--
0089	LAFN09022		FLANGE	2,00			--
0090	LAFN09023		FRAME ROLLER BRUSH	1,00			--
0091	LAFN10125		SHAFT INSERIMENTO SPAZZOLE	2,00			--
0092	LAFN10126		SHAFT	2,00			--
0093	LAFN10127		PLATE	2,00			--
0094	LAFN10128		SPACER	2,00			--
0095	MLML00302		SPRING REGISTRAZIONE FLAP	3,00			--



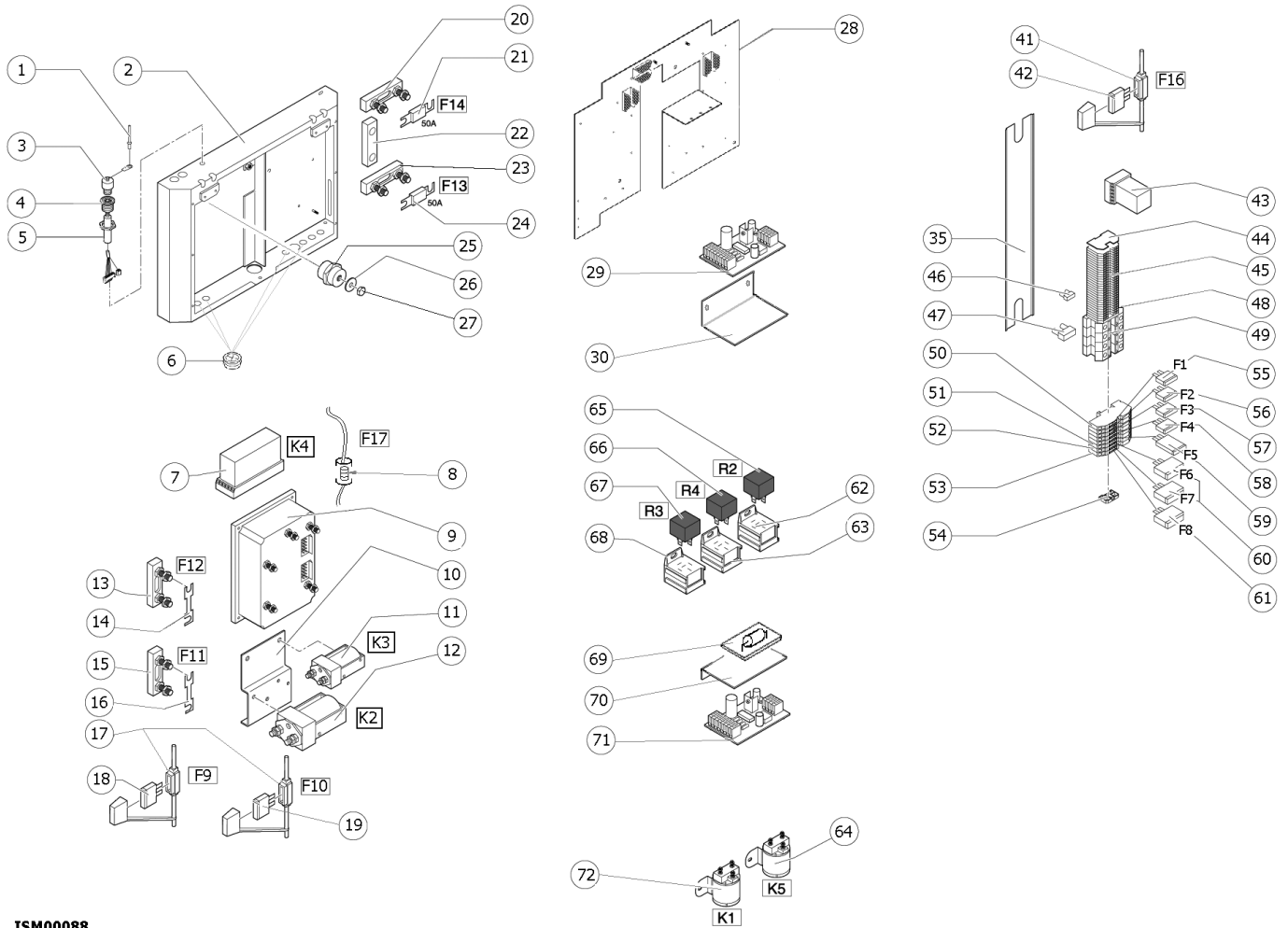
ISM00084

Ref. K	Part N.	Customer Part N.	Description	Qty	Validity: From	To	Price
0001	DBDB01602		ASSEMBLED SQUEEGEE 142 BF 82	1,00			--
0002	VTVT00199		HANDWHEEL VB 693/63B-M8	6,00			--
0003	LAFN02824		PLATE	1,00			--
0004	MPVR01486		RUBBER BLADE REAR SIDE	1,00			--
0005	LAFN02821		SQUEEGEE	1,00			--
0006	MPVR01461		RUBBER	1,00			--
0007	LAFN02724		PLATE ANTERIOR LEFT	1,00			--
0008	LAFN02723		PLATE ANTERIOR RIGHT	1,00			--
0009	VTDD01695		NUT M 8 INX	2,00			--
0010	RTRT00085		WHEEL Diameter 60, Height 24	2,00			--
0011	VTVT15917		SCREW TE M 8X50 INOX A2 UNI	2,00			--
0012	VTRS15146		WASHER D. 8 INX GRW UNI 1751	6,00			--
0013	VTDD15518		NUT M 6 INX	6,00			--
0014	VTVT00326		SCREW TTQST M8x30 UNI5592	6,00			--
0015	VTVR00079		REGULAT. SCREW	2,00			--
0016	VTRS00069		WASHER DIN 6319-8,4-C-NI	2,00			--
0017	VTVT00769		SCREW M8X70 A2 UNI5737	1,00			--
0018	VTDD15521		NUT M 8 INX A2 UNI 5588	1,00			--
0019	LAFN02733		SUPPORT SPRING	1,00			--
0020	MLML00074		SPRING	1,00			--
0021	LAFN02732		GUIDE SPRING	1,00			--
0022	MPVR01060		BUSHING	1,00			--
0023	VTDD01695		NUT M 8 INX	1,00			--
0024	CMCV00183		LEVER	1,00			--
0025	LAFN02731		BUSHING	1,00			--
0026	MPVR01060		BUSHING	1,00			--
0027	VTDD01695		NUT M 8 INX	1,00			--
0028	VTDD01695		NUT M 8 INX	1,00			--
0029	MPVR01060		BUSHING	1,00			--
0030	VTRS15978		WASHER D.12X24 UNI 6592 INX	1,00			--
0031	VTDD27918		NUT M 12 UNI 5588 INX	1,00			--
0032	VTVT00394		SCREW M12X80 A2 UNI5737	1,00			--
0033	VTRS00102		WASHER PLASTIC 12.2X18	1,00			--
0034	VTDD27918		NUT M 12 UNI 5588 INX	1,00			--
0035	VTRS00102		WASHER PLASTIC 12.2X18	1,00			--
0036	LAFN02713		BRACKET	1,00			--
0037	CUVR46942		BALL BEARING 6001-2RS1 -SKF	1,00			--
0039	CUVR46942		BALL BEARING 6001-2RS1 -SKF	1,00			--
0040	VTAE00010		SEEGER INTERNO DIN 472 D.28	1,00			--



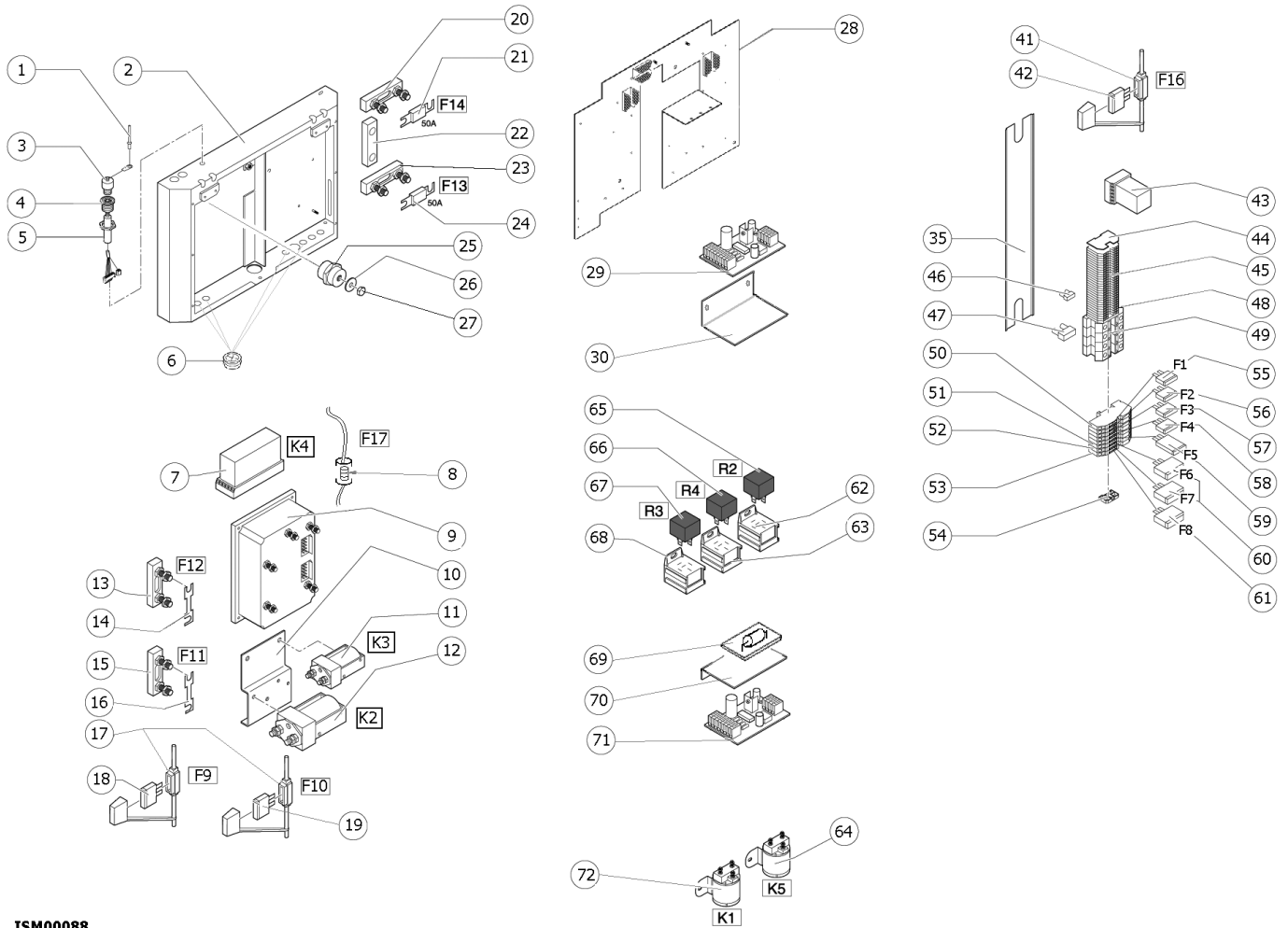
ISM00084

Ref. K	Part N.	Customer Part N.	Description	Qty	Validity:		Price
					From	To	
0041	LAFN02728		BRACKET	1,00			--
0042	MPVR01060		BUSHING	1,00			--
0043	VTVT01321		SCREW TE 8X90 UNI5739	1,00			--
0044	VTVT01321		SCREW TE 8X90 UNI5739	1,00			--
0045	MPVR01060		BUSHING	1,00			--
0046	CMCV00182		TIE ROD	1,00			--
0047	CMCV00183		LEVER	1,00			--
0048	CMCV00185		LEVER	1,00			--
0049	VTVT15907		SCREW TE 8X25 UNI5739 INX	1,00			--
0050	MPVR01060		BUSHING	1,00			--
0051	VTDD01695		NUT M 8 INX	2,00			--
0052	VTRS13947		WASHER D. 8 INX UNI 6592	2,00			--
0053	CMCV00184		LEVER	1,00			--
0054	MPVR01060		BUSHING	1,00			--
0055	VTVT15907		SCREW TE 8X25 UNI5739 INX	1,00			--
0056	CMCV00001		FORK UNI 1676 M8X16	1,00			--
0057	CMCV00254		CLIP	1,00			--
0058	VTDD15521		NUT M 8 INX A2 UNI 5588	1,00			--
0059	MPVR01060		BUSHING	1,00			--
0060	VTVT13516		SCREW TE M 8X100	1,00			--
0061	LAFN02714		SUPPORT	1,00			--
0062	CMCV00181		TIE ROD M8X100	1,00			--
0063	VTDD15521		NUT M 8 INX A2 UNI 5588	1,00			--
0064	VTVT00207		HANDWHEEL M8	1,00			--
0065	MTCR47037		WARP KNITTING 3/8	1,00			--
0066	MTCR00097		CHAIN 3/8" X 3/16" LENGHT 27 P.	1,00			--
0067	MTCR47037		WARP KNITTING 3/8	1,00			--
0068	LAFN41102		BRACKET	1,00			--
0069	MTCR47037		WARP KNITTING 3/8	1,00			--
0070	LAFN41101		HOOK CHAIN	1,00			--
0071	KTRIO1572		KIT CHAIN SQUEEGEE TITAN 142	1,00			--



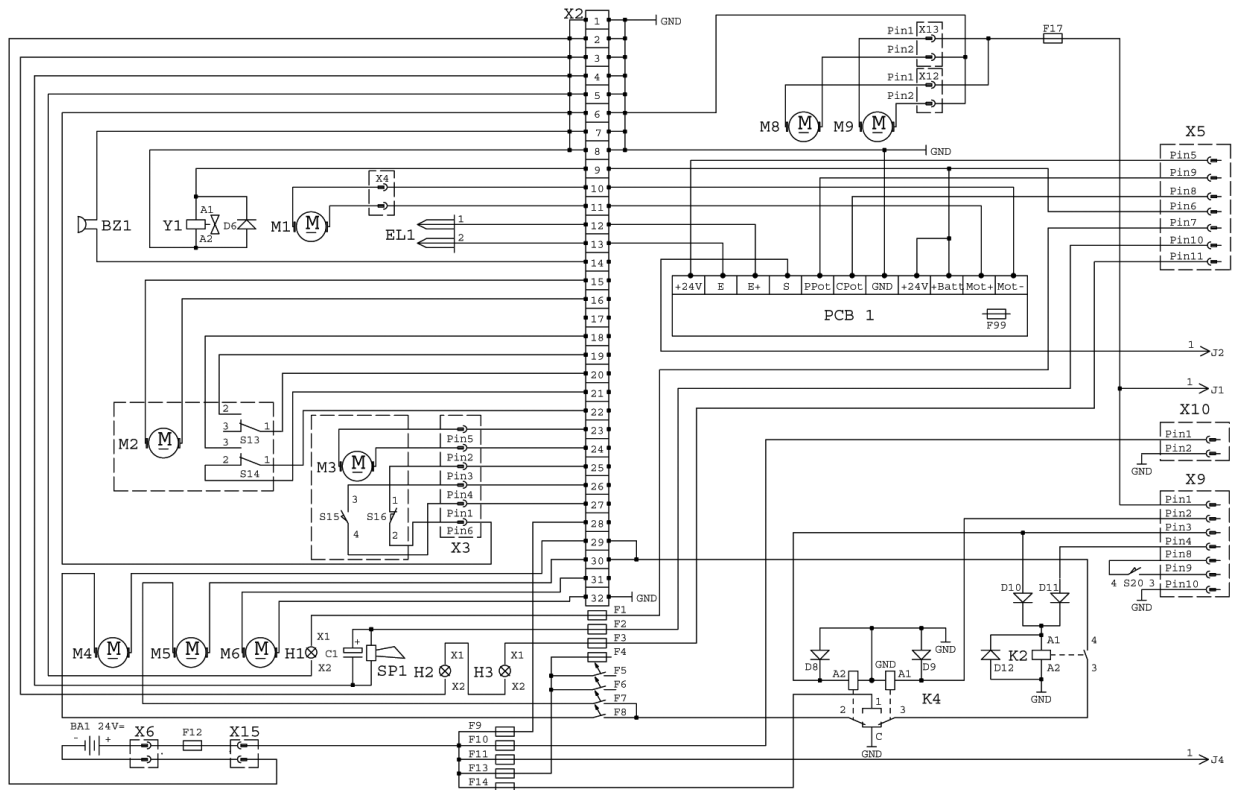
ISM00088

Ref.	K	Part N.	Customer Part N.	Description	Qty	Validity:		Price
						From	To	
0001		MEVR00910		PORTA RELAJ	1,00			--
0002		MECE00120		CONTROL BOARD	1,00			--
0003		RCVR00119		CAP PANEL	1,00			--
0004		MEVR00366		PLUG	1,00			--
0005		MEVR00258		CABLE PROGR.ZAPI	1,00			--
0006		MEVR00195		FAIR-LEAD TET 10-14	8,00			--
0007		MECI00178		MOTOR REVERSES 24V TE106 C	1,00			--
0008		MEVR04011		FUSE 1A 5X20	1,00			--
0009		MECE00235		PCB	1,00			--
0010		LAFN02761		PLATE	1,00			--
0011		MECI00115		CONTACTOR 24V-100A	1,00			--
0012		MECI00180		CONTACTOR 24V 180A	1,00			--
0013		MEVR00348		FUSE CARRIER	1,00			--
0014		MEVR00357		FUSE 50A	2,00			--
0015		MEVR00348		FUSE CARRIER	1,00			--
0016		MEVR00357		FUSE 50A	1,00			--
0017		MEVR00381		FUSE CARRIER	4,00			--
0018		MEVR00614		FUSE 10A	1,00			--
0019		MEVR00565		FUSE 5A	1,00			--
0020		MEVR00348		FUSE CARRIER	1,00			--
0021		MEVR00357		FUSE 50A	1,00			--
0022		LAFN02775		PLATE	1,00			--
0023		MEVR00348		FUSE CARRIER	1,00			--
0024		MEVR00357		FUSE 50A	1,00			--
0025		MEVR00906		INSULATOR M6	1,00			--
0026		VTRS00517		WASHER D. 6 DIN 6798E	1,00			--
0027		VTDD00482		NUT M 6 ZIN UNI 5588	1,00			--
0028		LAFN02760		PLATE	1,00			--
0029		MECE00253		PCB TITAN 142	1,00			--
0030		LAFN03078		SUPPORT TITAN 142 RULLIO	1,00			--
0035		LAFN02779		BAR	1,00			--
0041		MEVR00381		FUSE CARRIER	1,00			--
0042		MEVR00565		FUSE 5A	1,00			--
0043		MECE00233		RELAIS	1,00			--
0044		MEVR00227		SEPARATOR CLAMP	1,00			--
0045		MEVR00224		CLAMP 2,5mm	28,00			--
0046		MECE00035		CABLE CLAMPING	7,00			--
0047		MECE00073		CABLE CLAMPING	2,00			--
0048		MEVR00226		SEPARATOR CLAMP	1,00			--



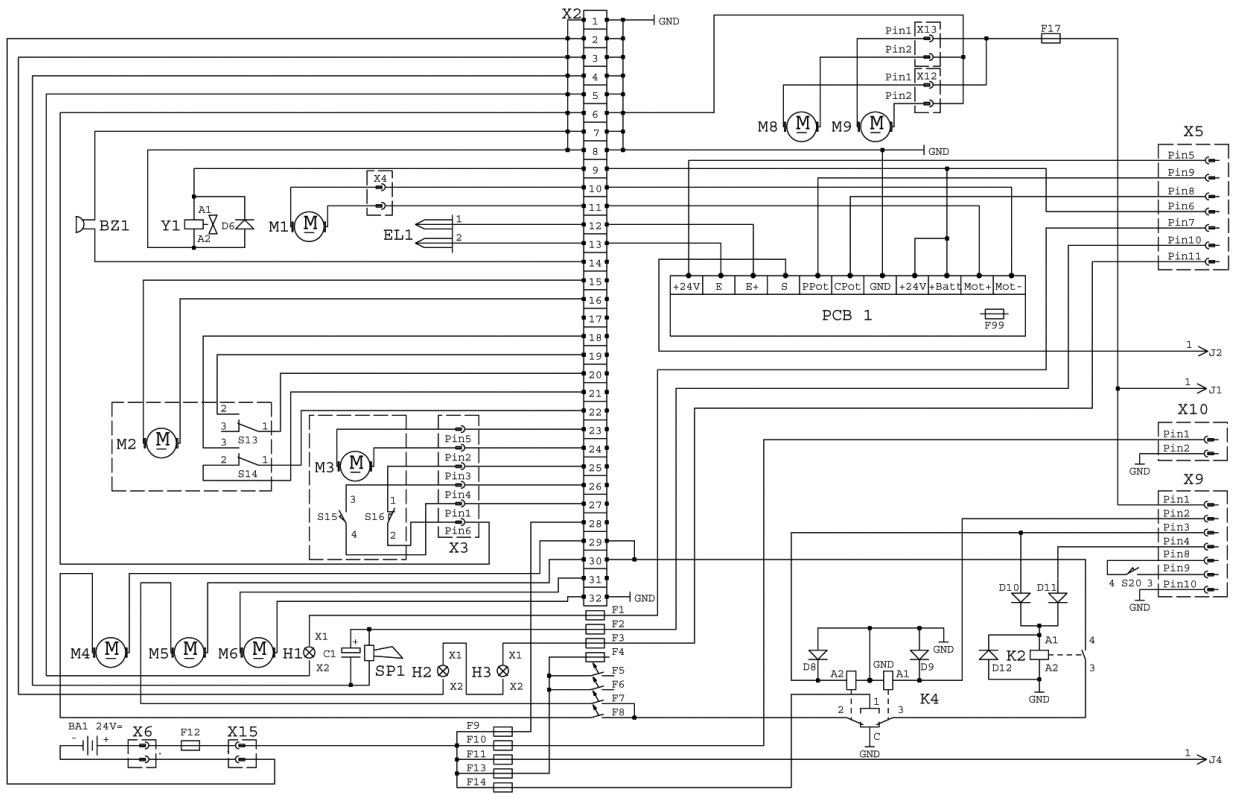
ISM00088

Ref.	K	Part N.	Customer Part N.	Description	Qty	Validity:		Price
						From	To	
0049		MEVR00225		CLAMP CLAMP 6 MM	4,00			--
0050		MEVR00369		SEPARATOR CLAMP	1,00			--
0051		MEVR00369		SEPARATOR CLAMP	1,00			--
0052		MEVR00369		SEPARATOR CLAMP	1,00			--
0053		MEVR00349		CLAMP CLAMP 10 MM	8,00			--
0054		LAFN01302		BLOCK	2,00			--
0055		MEVR00565		FUSE 5A	1,00			--
0056		MEVR00565		FUSE 5A	1,00			--
0057		MEVR01428		FUSE A LAMA 2 A. UNIVAL	1,00			--
0058		MEVR00565		FUSE 5A	1,00			--
0059		MEVR00336		FUSE RESETTABLE 6A -ETA-	1,00			--
0060		MEVR00379		FUSE RESETTABLE 25A -ETA-	2,00			--
0061		MEVR00379		FUSE RESETTABLE 25A -ETA-	1,00			--
0062		MEVR00858		PORTA RELAJ	1,00			--
0063		MEVR00858		PORTA RELAJ	1,00			--
0064		METT45116		CONTACTOR 24V T106 P	1,00			--
0065		MECE00201		RELAIS 24V 10-20 A	1,00			--
0066		MECE00201		RELAIS 24V 10-20 A	1,00			--
0067		MECE00201		RELAIS 24V 10-20 A	1,00			--
0068		MEVR00858		PORTA RELAJ	1,00			--
0069		MECE00445		BOARD ANTISPIKE	1,00			--
0070		LAFN02774		JUNCTION BOARD	1,00			--
0071		MECE00104		PCB ANTIFOAM & PUMP 24V	1,00			--
0072		METT45116		CONTACTOR 24V T106 P	1,00			--



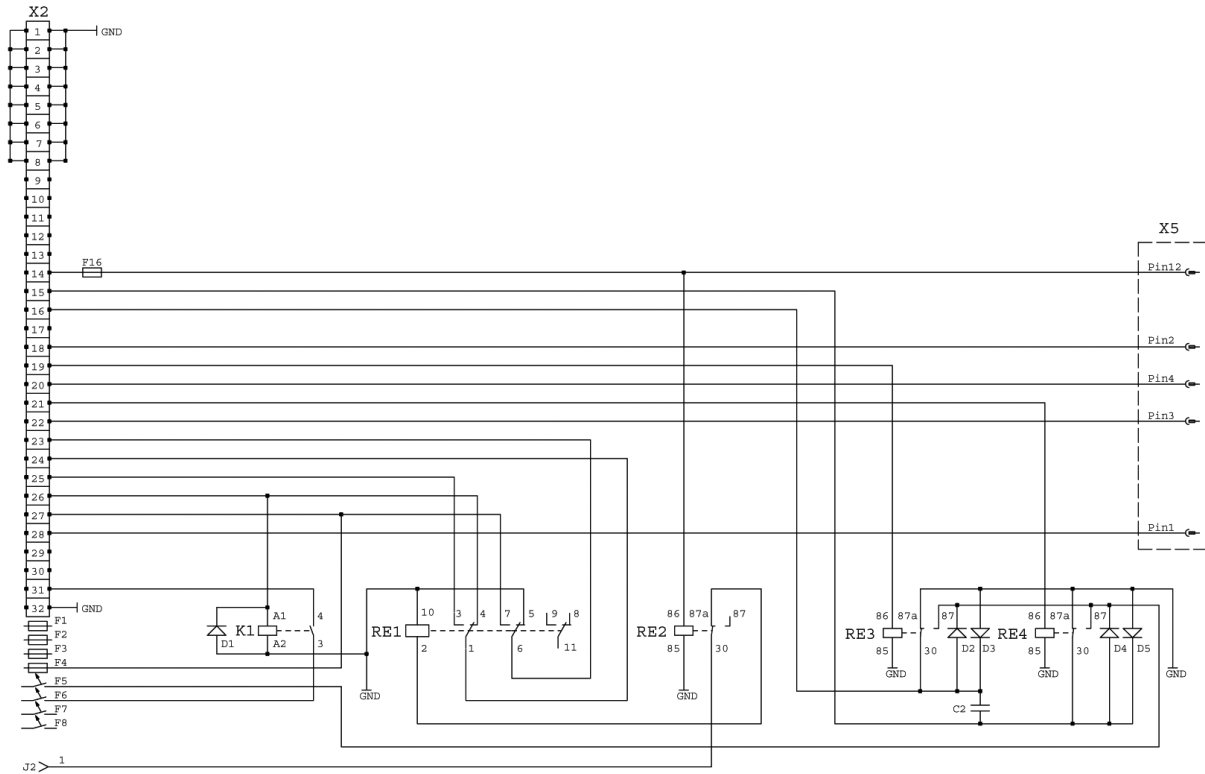
PLDC01489 Pag.01 Rev.00 del 07/04/06 Emissione su WEB

Ref.	K	Part N.	Customer Part N.	Description	Qty	Validity: From To	Price
BZ1		MECE00182		BUZZER	1,00	--	--
D10		MECI00044		DIODE 1N 4007	1,00	--	--
D11		MECI00044		DIODE 1N 4007	1,00	--	--
D12		MECI00044		DIODE 1N 4007	1,00	--	--
D8		MECI00044		DIODE 1N 4007	1,00	--	--
D9		MECI00044		DIODE 1N 4007	1,00	--	--
EL1		MECI00386		ELECTRODE 62-88-70-97-119	2,00	--	--
F1		MEVR00565		FUSE 5A	1,00	--	--
F10		MEVR00565		FUSE 5A	1,00	--	--
F11		MEVR00350		FUSE 80A	1,00	--	--
F12		MEVR00154		FUSE 125A	1,00	--	--
F13		MEVR00357		FUSE 50A	1,00	--	--
F14		MEVR00357		FUSE 50A	1,00	--	--
F17		MEVR04011		FUSE 1A 5X20	1,00	--	--
F2		MEVR00565		FUSE 5A	1,00	--	--
F3		MEVR01428		FUSE A LAMA 2 A. UNIVAL	1,00	--	--
F4		MEVR00565		FUSE 5A	1,00	--	--
F5		MEVR00336		FUSE RESETTABLE 6A -ETA-	1,00	--	--
F6		MEVR00379		FUSE RESETTABLE 25A -ETA-	1,00	--	--
F7		MEVR00379		FUSE RESETTABLE 25A -ETA-	1,00	--	--
F8		MEVR00379		FUSE RESETTABLE 25A -ETA-	1,00	--	--
F9		MEVR00614		FUSE 10A	1,00	--	--
H2		MEVR00553		LANTERN with lamp	1,00	--	--
H3		MEVR00553		LANTERN with lamp	1,00	--	--
K2		METT45116		CONTACTOR 24V T106 P	1,00	--	--
K4		MECI00178		MOTOR REVERSES 24V TE106 C	1,00	--	--
M1		PPBP00008		PUMP 24V	1,00	--	--
M2		MECE00229		ATUATOR 24V	1,00	--	--
M3		MECE00174		ATUATOR 24V AO-01/M C100V55	1,00	--	--
M4		MOCC00111		MOTOR 24V 500W 240'	1,00	--	--
M5		MOCC00111		MOTOR 24V 500W 240'	1,00	--	--
M6		MOMO00025		TURBINE	1,00	--	--
M8		MEVR00916		VENTILATOR	1,00	--	--
M9		MEVR00917		VENTILATOR	1,00	--	--
PCB1		MECE00104		PCB ANTIFOAM & PUMP 24V	1,00	--	--
S20		MECI00107		MICROSWITCH	1,00	--	--
SP1		MEVR47083		KLAXON L.14 24V	1,00	--	--
X15		MEVR00340		CONNECTOR SR 175A-24V	2,00	--	--
X6		MEVR00340		CONNECTOR SR 175A-24V	2,00	--	--



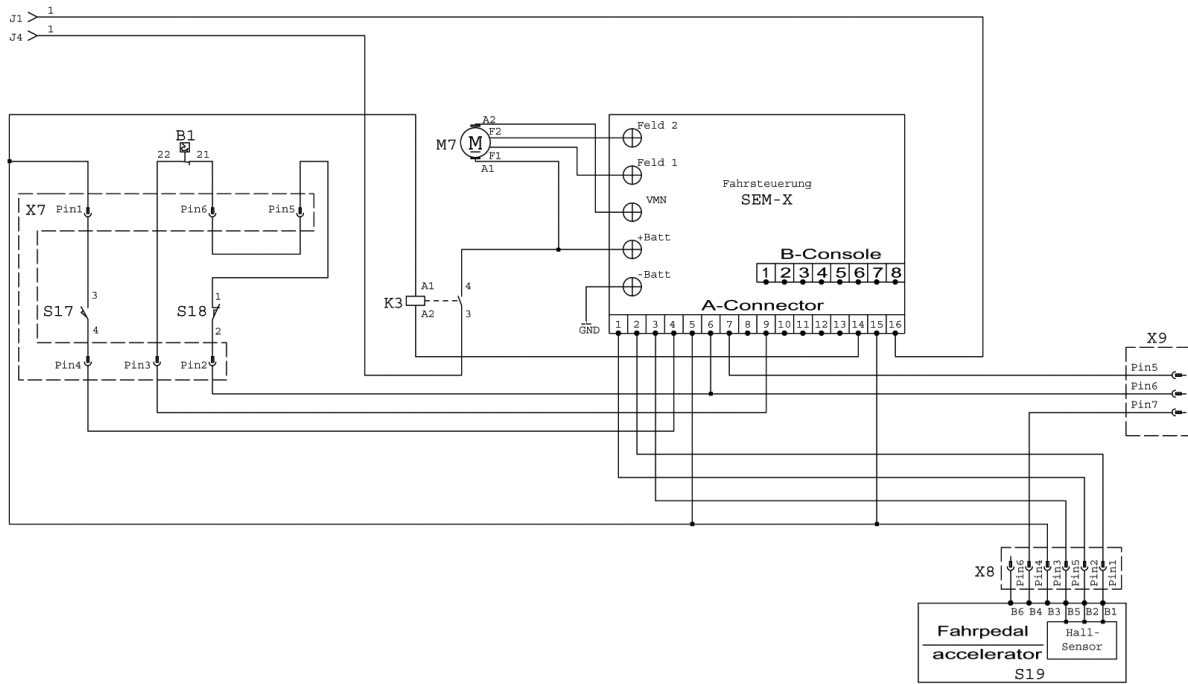
PLDC01489 Pag.01 Rev.00 del 07/04/06 Emissione su WEB

Ref. K	Part N.	Customer Part N.	Description	Qty	Validity: From To	Price
Y1	MECI00073		SOLENOID VALVE 24V 3/8"	1,00		--



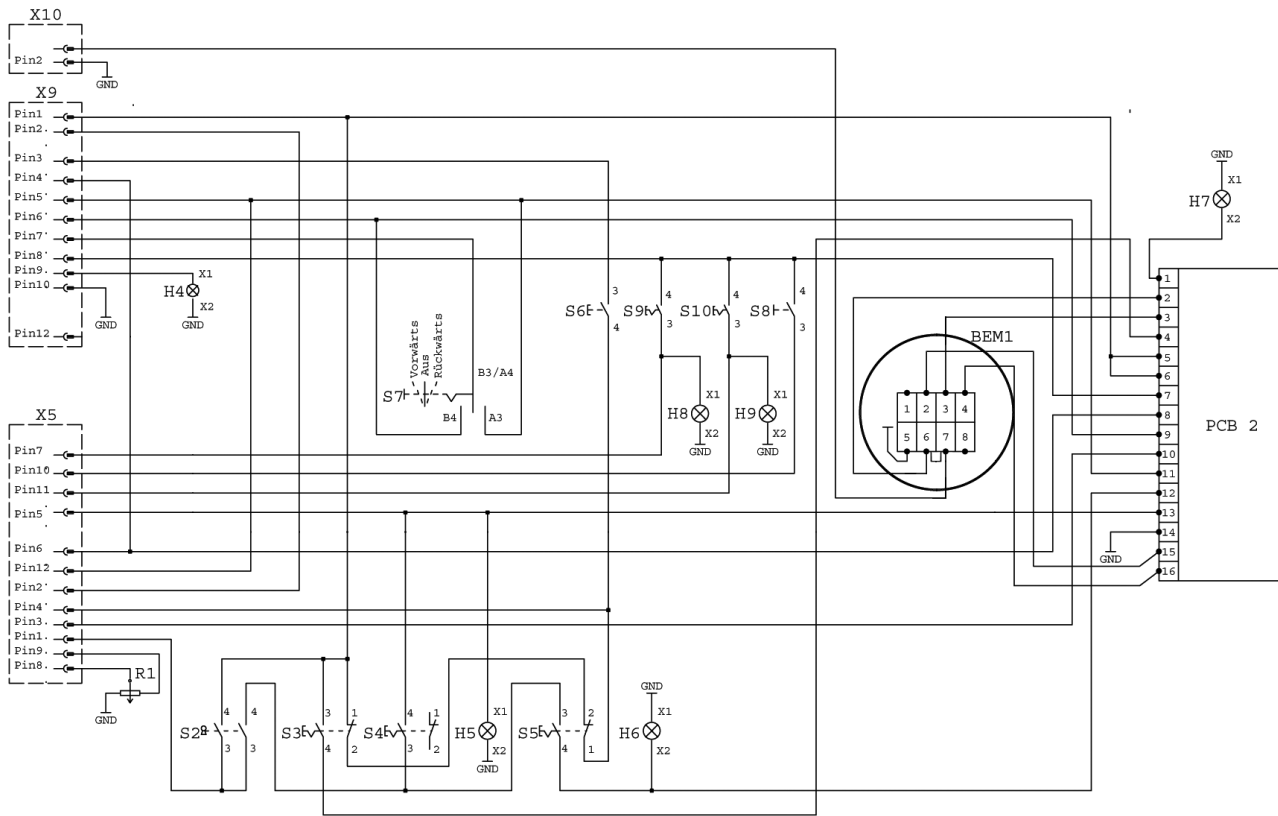
PLDC01489 Pag.02 | Rev.00 del 07/04/06 | Emissione su WEB

Ref. K	Part N.	Customer Part N.	Description	Qty	Validity:		Price
					From	To	
D1	MECI00044		DIODE 1N 4007	1,00			--
D2	MECI00047		DIODE 1N 5405	1,00			--
D3	MECI00047		DIODE 1N 5405	1,00			--
D4	MECI00047		DIODE 1N 5405	1,00			--
D5	MECI00047		DIODE 1N 5405	1,00			--
F16	MEVR00565		FUSE 5A	1,00			--
K1	METT45116		CONTACTOR 24V T106 P	1,00			--
RE1	MECE00233		RELAIS	1,00			--
RE2	MECE00201		RELAIS 24V 10-20 A	1,00			--
RE3	MECE00201		RELAIS 24V 10-20 A	1,00			--
RE4	MECE00201		RELAIS 24V 10-20 A	1,00			--



PLDC01489 Pag.03 Rev.00 del 07/04/06 Emissione su WEB

Ref. K	Part N.	Customer Part N.	Description	Qty	Validity:		Price
					From	To	
K3	MECI00115		CONTACTOR 24V-100A	1,00			--
M7	MOCC00269		MOTOR 700 W SEM	1,00			--
S19	PIID00030		FEED PEDAL	1,00			--
SEMX	MECE00235		PCB	1,00			--



PLDC01489 Pag.04 Rev.00 del 07/04/06 Emissione su WEB

Ref. K	Part N.	Customer Part N.	Description	Qty	Validity:		Price
					From	To	
BEM1	MESB00025		HOUR-COUNTER BAUSER 24V TYPO 855 24VDC	1,00			--
H4	MEVR00905		LAMP 24V-2W BA 9s	1,00			--
H5	MEVR00905		LAMP 24V-2W BA 9s	1,00			--
H6	MEVR00905		LAMP 24V-2W BA 9s	1,00			--
H7	MEVR00905		LAMP 24V-2W BA 9s	1,00			--
H8	MEVR00905		LAMP 24V-2W BA 9s	1,00			--
H9	MEVR00905		LAMP 24V-2W BA 9s	1,00			--
PCB2	MECE00121		BOARD	1,00			--
R1	MECI00046		POTENTIOMETER 24V 22KOhm	1,00			--
R1	MPVR01118		KNOB POTENTIOMETER	1,00			--
S10	MECE00232		CONTACT NO	1,00			--
S10	MECI00173		SWITCH GREEN	1,00			--
S10	MEVR00904		LAMP SOCKET	1,00			--
S2	MECE00232		CONTACT NO	1,00			--
S2	MEVR00903		BLOCK KEY	1,00			--
S3	MECE00232		CONTACT NO	1,00			--
S3	MECI00173		SWITCH GREEN	1,00			--
S3	MEVR00904		LAMP SOCKET	1,00			--
S4	MECE00232		CONTACT NO	1,00			--
S4	MECI00173		SWITCH GREEN	1,00			--
S4	MEVR00904		LAMP SOCKET	1,00			--
S5	MECE00232		CONTACT NO	1,00			--
S5	MECI00174		SWITCH YELLOW	1,00			--
S5	MEVR00904		LAMP SOCKET	1,00			--
S6	MECE00232		CONTACT NO	1,00			--
S6	MECI00183		BUTTON	1,00			--
S7	MECI00181		MANIPULATING	1,00			--
S8	MECE00232		CONTACT NO	1,00			--
S8	MECI00176		BUTTON	1,00			--
S9	MECE00232		CONTACT NO	1,00			--
S9	MECI00173		SWITCH GREEN	1,00			--
S9	MEVR00904		LAMP SOCKET	1,00			--

Refer.	Component name	Functional description	Refer.	Component name	Functional description
B1	Temperature opening contact	Temperature switch, traction motor	K1	Contactore for vacuum motor	
BA1 24V	Battery, 24V		K2	Contactore for brush motors on/o	
BEM1	Battery discharge indicator	Switching off brush motors	K3	Contactore for traction control/	
B21	Buzzer	Acoustic warning signal	K4	Contactore for brush release	
C1	Capacitor, bipolar, 100µF/40V	Transient voltage suppressor, horn	M1	Waterpump 24V	
C2	Capacitor, bipolar, 2,2µF/400V	Transient suppressor, actuator BK	M2	Linear actuator 24V	Lifting/lowering brush head
D1	Diode 1N4007	Free wheeling diode	M3	Linear actuator 24V	Lifting/lowering squeegee
D2	Diode 1N5404	Free wheeling diode	M4	Brush motor 1, 24V/500W	
D3	Diode 1N5404	Free wheeling diode	M5	Brush motor 2, 24V/500W	
D4	Diode 1N5404	Free wheeling diode	M6	Vacuum motor 24V/520W	
D5	Diode 1N5404	Free wheeling diode	M7	SEM-traction motor 24V/700W	
D6	Diode 1N4007	Free wheeling diode	M8	Fan, 24V	Cooling of traction motor
D8	Diode 1N4007	Free wheeling diode	M9	Fan, 24V	Cooling of traction controller
D9	Diode 1N4007	Free wheeling diode	PCB 1	Foam cut off and waterpump cont	
D10	Diode 1N4007	Hardwired Or-Logic	PCB 2	Controller for cleaning devices	PCB for automatic mode
D11	Diode 1N4007	Hardwired Or-Logic	R1	Potentiometer, 22kOhm	Waterpump
D12	Diode 1N4007	Free wheeling diode	RE1	Relay	Lifting/Lowering squeegee
EL1	Probes	Sensing foam and dirt water	RE2	Relay	Lifting squeegee when reversing
F1	Blowout fuse 5A	Rotating beacon	RE3	Relay	Lifting brush head
F2	Blowout fuse 5A	Horn	RE4	Relay	Lowering brush head
F3	Blowout fuse 2A	Headlights	S2	Key switch	
F4	Blowout fuse 5A	Lin. act. sque.+ Relay vac. motor	S3	Switch brush on/off	Lift/Lower head, brushes on/off
F5	Plug automatic fuse 6A	Linear actuator, brush head	S4	Switch vacuum function on/off	Lift/lower squeegee, Vacuum motor on
F6	Plug automatic fuse 25A	Vacuum motor	S5	Switch automatic mode on/off	
F7	Plug automatic fuse 25A	Brush motor 2	S6	Push button for brush release	
F8	Plug automatic fuse 25A	Brush motor 1	S7	Direction switch for traction	
F9	Blowout fuse 10A (Flying arrange	Control circuitry	S8	Push button, horn	
F10	Blowout fuse 2A (Flying arrange	Battery discharge indicator	S9	Switch rotating beacon on/off	
F11	Strip fuse 80A	Traction control and motor	S10	Switch headlights on/off	
F12	Strip fuse 125A	Main fuse, battery	S13	Two-way switch	Upper reposition, brush head
F13	Strip fuse 50A	Protecting Vacuum motor, linear actu	S14	Two-way switch	Lower reposition, brush head
F14	Strip fuse 50A	Main fuse, brush motors	S15	Closing contact	Lower reposition, squeegee
F16	Blowout fuse 2A (Flying arrange	Buzzer	S16	Opening contact	Upper reposition, squeegee
F17	Fusibile 1A 5x20	Fan 1+2	S17	Closing contact	Seat micro switch
F99	fuse 4A	fuse for Foam cut off and waterpump	S18	Opening contact	Microswitch, crit. steering angle
H1	Rotating beacon		S19	Accelerator pedal	
H2	Headlight, left		S20	Closing contact	Microswitch, hand brake
H3	Headlight, right		SEM-X	Traction controller	SEM-controller 24V/110A
H4	Pilot lamp	Hand brake	SP1	Horn, 24V	
H5	Pilot lamp	Vacuum motor on/off	X2		
H6	Pilot lamp	Automatic mode on/off	X3	6-pin plug	Linear actuator, squeegee lifting/lo
H7	Pilot lamp	Brushes on/off	X4	2-pin plug	Waterpump
H8	Pilot lamp	Rotating beacon on/off	X5	12-pin plug	1st dashboard connector
H9	Pilot lamp	Headlights on/off	X6	2-pin plug	Battery disconnecter up to 175A
J1	Jumper	Jumper to SEM-X/A16/Sheet3	X7	6-pin plug	Thermo/Steering switch connector
J1	Jumper	Jumper to X9/Pin1/Sheet1	X8	6-pin plug	Connector for accelerator pedal
J2	Jumper	Jumper to RE2/30/Sheet2	X9	12-pin plug	2nd dashboard connector
J2	Jumper	Jumper to PCB1/S/Sheet1	X10	2-pin plug	Connector for battery disch. indicat
J3	Jumper	Jumper to X8/Pin4/Sheet3	X12	2-pin plug	Fan to cool traction motor
J3	Jumper	Jumper to F16/Sheet1	X13	2-pin plug	Fan to cool traction controller
J4	Jumper	Jumper to K3/3/Sheet3	X15	2-pin plug	Battery disconnecter up to 175A
J4	Jumper	Jumper to F11/Sheet1	Y1	Solenoid valve, 24V	

Emissione su WEB
Rev.00 del 07/04/06
PLDC01489 Pag.05

Ref. K	Part N.	Customer Part N.	Description	Qty	Validity: From To	Price
0000	PLDC01489		ELEC. DIAGRAM 142 BF 70/82	1,00	--	--