

**Ersatzteilliste**  
**Spare Parts List**  
**Liste des pièces de rechange**

# **BR/BD TRIKE**

- 1.161-101.0 BR TRIKE BAT \* EUR
- 1.161-102.0 BD-TRIKE BAT \* EUR
- 1.161-103.0 BR TRIKE PACK.\* EUR
- 1.161-104.0 BD-TRIKE PACK.\* EUR
- 1.161-201.0 BR TRIKE BAT \* EUR
- 1.161-202.0 BD-TRIKE BAT \* EUR
- 1.161-203.0 BR TRIKE PACK.\* EUR
- 1.161-204.0 BD-TRIKE PACK.\* EUR
- 1.161-209.0 BR TRIKE BAT TO\*USA
- 1.161-210.0 BD-TRIKE BAT TO\*USA
- 1.161-211.0 BR TRIKE M.LADE \* F
- 1.161-212.0 BD-TRIKE M.LADE \* F

GRUPPE: 1.0 GERAET-EINZELTEILE  
GROUP: 1.0 APPLIANCE - PIECE PARTS  
GRUPPE: 1.0 USTENSILE-PIECES CONSTIT.

**A1**

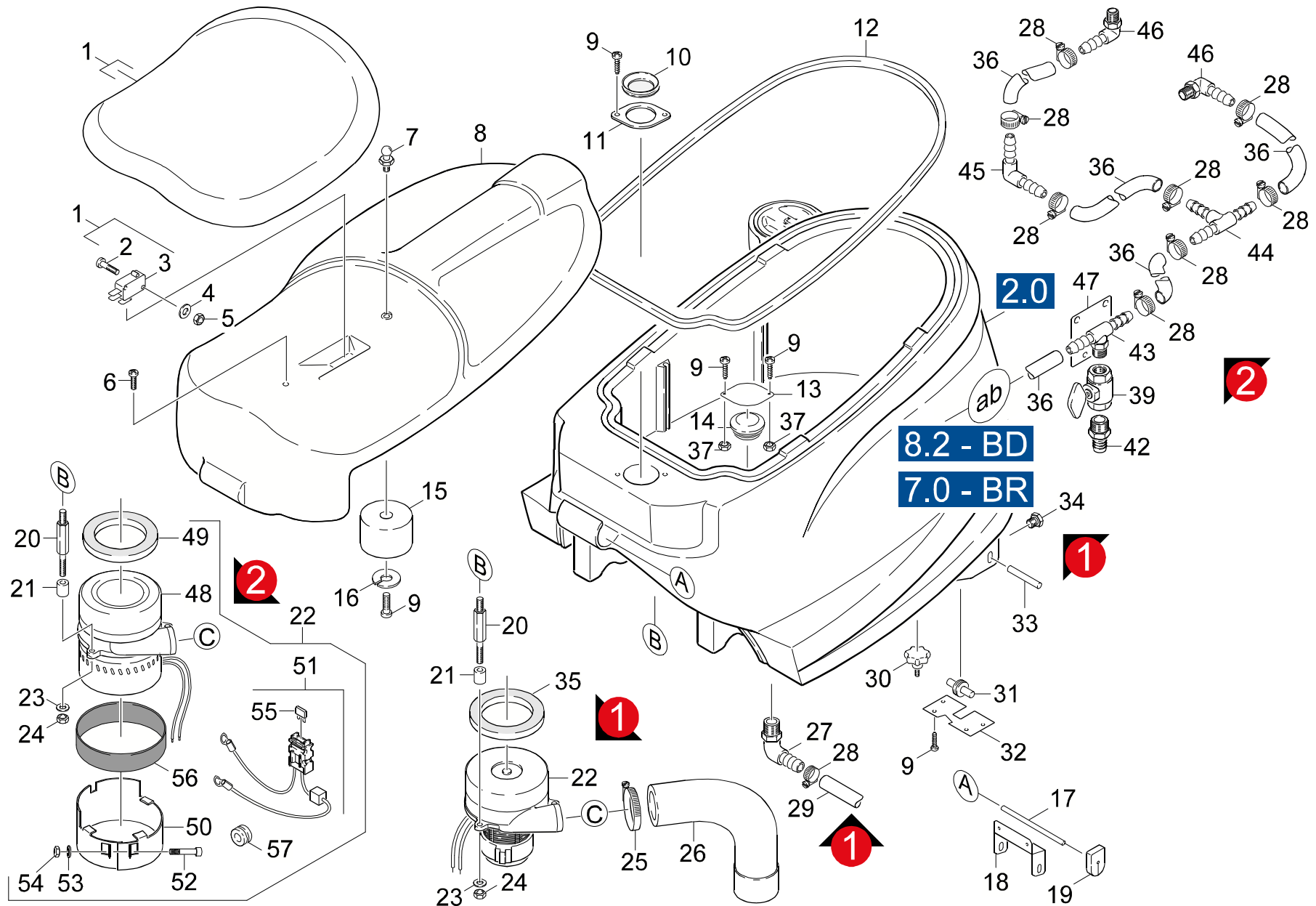
**BR/BD TRIKE**

**GRUPPE: 1.0 GERAET-EINZELTEILE**  
**GROUP: 1.0 APPLIANCE - PIECE PARTS**  
**GRUPPE: 1.0 USTENSILE-PIECES CONSTIT.**

GRUPPE: 1.1 EINZELTEILE -SITZ  
 GROUP: 1.1 PIECE PARTS  
 GROUPE: 1.1 PIÈCES CONSTITUANTES

# B1

# BR/BD TRIKE



Symbolbeschreibung siehe M16 / symbol description see M16 / désignation de système voir M16 /

GRUPPE: 1.1 EINZELTEILE -SITZ  
 GROUP: 1.1 PIECE PARTS  
 GROUPE: 1.1 PIECES CONSTITUANTES

C1

BR/BD TRIKE

POS. ITM. POS.	BENNENUNG DESCRIPTION DESIGNATION	TEILE-NR. PART-NO. NO.PIECE	STCK QTY. NBR.	POS. ITM. POS.	BENNENUNG DESCRIPTION DESIGNATION	TEILE-NR. PART-NO. NO.PIECE	STCK QTY. NBR.
1	GEHAEUSE SITZ KPL. / HOUSING / BOITIER	4.605-039.0	1	27	WINKELTUELLE / ANGLE SOCKET / COUDE	6.390-002.0	1
2	SCHRAUBE M 2X 20 / SCREW / VIS	7.306-045.0	2		<b>VERS 1</b>		
3	MIKROSCHALTER / MICRO SWITCH / MICRORUPTEUR	6.631-854.0	1	28	KABELBAND 8-210 / CABLE TIE / PROTECT. DE CABLE	6.641-474.0	1
4	SCHEIBE 3 / WASHER / RONDELLE	7.312-043.0	2		<b>VERS 1 + VERS 2</b>		
5	6KT-MUTTER M 2 / HEXAGON NUT / ECROU HEXAGONAL	7.311-074.0	2	29	SCHLAUCH DN12,5 / HOSE / TUYAU FLEXIBLE	6.388-248.0	1
6	SCHRAUBE M 6X 16 / SCREW / VIS	7.306-193.0	1		<b>VERS 1ALS METERWARE BESTELLEN/TO ORDER AS CUT GOODS/COMMANDE COMME MARCHANDISE AU METRE</b>		
7	BOLZEN / BOLT / BOULON	5.316-909.0	1	30	STERNGRIF / CONTROL KNOB / POIGNEE-ETOILE	6.321-148.0	1
8	DECKEL / COVER / COUVERCLE	5.063-827.0	1	31	WELLE / SHAFT / ARBRE	5.100-261.0	2
8	DECKEL / COVER / COUVERCLE / => <b>19999</b>	5.063-932.0	1		/ => <b>19999</b>		
	<b>20000 =&gt;</b>			32	BLECHTEIL / PLATE / TOLE	5.048-283.0	1
9	SCHRAUBE 5 X 16 / SCREW / VIS	7.303-107.0	6		<b>* EUR / =&gt; 19999</b>		
10	DICHTRING / JOINT RING / BAGUE D'ETANCHEITE	5.363-344.0	1	32	BLECHTEIL / PLATE / TOLE	5.049-254.0	1
11	BLECH / PLATE / TOLE	5.001-752.0	1		<b>* USA / =&gt; 19999</b>		
12	DICHTUNGSPROFIL / PROFILED JOINT / JOINT D'ETANCHEITE PROF.	6.366-043.0	1	33	BOLZEN / BOLT / BOULON	5.316-880.0	1
	<b>ALS METERWARE BESTELLEN/TO ORDER AS CUT GOODS/COMMANDE COMME MARCHANDISE AU METRE</b>			34	VS-SCHRAUBE M18X1,5 / CLOSING SCREW / VIS DE FERMETURE	7.382-235.0	1
13	BLECH / PLATE / TOLE	5.001-888.0	1		<b>VERS 1</b>		
14	STOPFEN / PLUG / BOUCHON	5.132-124.0	1	35	DICHTRING / JOINT RING / BAGUE D'ETANCHEITE	5.363-195.0	1
15	SCHWIMMER / FLOAT / FLOTTEUR	5.585-028.0	1	36	SCHLAUCH DN15 / HOSE / TUYAU FLEXIBLE	6.390-324.0	1
16	SCHEIBE / WASHER / RONDELLE	5.115-754.0	1		<b>VERS 2ALS METERWARE BESTELLEN/TO ORDER AS CUT GOODS/COMMANDE COMME MARCHANDISE AU METRE</b>		
17	WELLE / SHAFT / ARBRE	5.100-263.0	1	37	6KT-MUTTER M 6 / HEXAGON NUT / ECROU HEXAGONAL	7.311-067.0	2
18	HALTER / BRACKET / FIXATION	5.044-191.0	1	39	ABSPERRHAHN R 1/2" / STOP COCK / ROBINET D'ARRET	6.412-412.0	1
19	STOPFEN / PLUG / BOUCHON	5.132-129.0	1		<b>VERS 2</b>		
20	STEBBOLZEN / BOLT / GOUCHON FILETE	5.308-056.0	3	42	SCHLAUCHNIPPEL 1/2" / HOSE STEM / RACCORD DE FLEXIBLE	6.389-692.0	1
21	GUMMIPUFFER 2XM6 / RUBBER BUFFER / BUTOIR CAOUTCHOUC	6.339-021.0	3		<b>VERS 2</b>		
22	UBS EL.KOM. TURBINE / CONVERSION KIT / KIT DE MODIFIC. <b>21960 =&gt;</b>	2.639-906.0	1	43	EINSCHRAUBSTUTZEN / SCREWED SOCKET / MANCHON VISSE	6.390-327.0	1
22	SAUGTURBINE 24V / VACUUM MOTOR / TURBINE D'ASPIRATION / => <b>21959</b>	6.490-115.0	1		<b>VERS 2</b>		
23	SCHEIBE 6 / WASHER / RONDELLE	7.312-276.0	3	44	T-TUELLE 16-16-16 / T-RUBBER BUSHING / MANCHON EN T	6.388-397.0	1
24	6KT-MUTTER M 6 / HEXAGON NUT / ECROU HEXAGONAL	7.311-003.0	3		<b>VERS 2</b>		
25	SCHLAUCHSCHELLE / HOSE BAND CLIP / COLLIER DE SERRAGE	6.388-563.0	1	45	WINKELSTUECK / ANGLE PIECE / PIECE D'ANGLE	6.390-326.0	1
26	SCHALLDAEMMSCHLAUCH / SOUNDPROOF HOSE / TUYAU FLEX. INSONORE	6.390-215.0	1	46	WINKELTUELLE / ANGLE SOCKET / COUDE	6.390-328.0	2
					<b>VERS 2</b>		
				47	HALTER KUGELHAHN / BRACKET / FIXATION	5.044-227.0	1
					<b>VERS 2</b>		

"=> xxxxxx" = bis Werknummer / up to serial No. / jusqu' au No. de fabr. / "xxxxxx =>" = ab Werknummer / from serial No. / a partir du No. de fabr. /

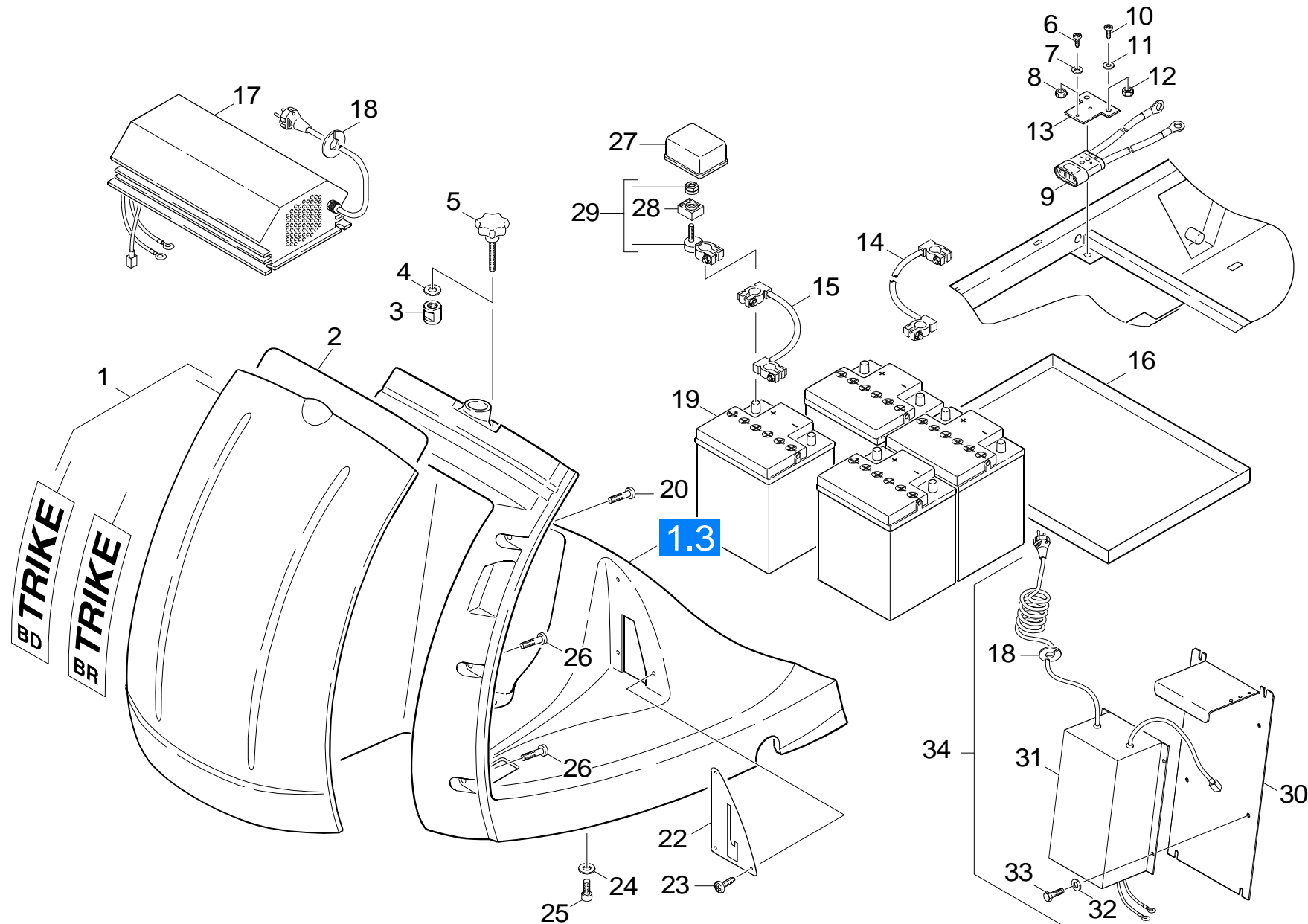
GRUPPE: 1.1 EINZELTEILE -SITZ  
GROUP: 1.1 PIECE PARTS  
GROUPE: 1.1 PIECES CONSTITUANTES

D1

BR/BD TRIKE

POS. ITM. POS.	BENNENUNG DESCRIPTION DESIGNATION	TEILE-NR. PART-NO. NO.PIECE	STCK QTY. NBR.
48	SAUGTURBINE 24V / VACUUM MOTOR / TURBINE D'ASPIRATION <b>21960 =&gt;</b>	6.490-157.0	1
49	DICHTRING / JOINT RING / BAGUE D'ETANCHEITE <b>21960 =&gt;</b>	5.363-574.0	1
50	BLECH / PLATE / TOLE <b>21960 =&gt;</b>	5.007-341.0	1
51	SCHUTZDIODE TRIKE / SCHUTZDIODE TRIKE / SCHUTZDIODE TRIKE <b>21960 =&gt;</b>	6.600-245.0	1
52	ZYL.SCHR. M 8X 35 / CHEESE HEAD SCREW / VIS A TETE CYLINDR. <b>21960 =&gt;</b>	7.306-044.0	1
53	SCHEIBE 8 / WASHER / RONDELLE <b>21960 =&gt;</b>	7.312-004.0	1
54	6KT-MUTTER M 8 / HEXAGON NUT / ECROU HEXAGONAL <b>21960 =&gt;</b>	7.311-510.0	1
55	SICHERUNGSEINS C 15 / FUSE INSERT / CARTOUCHE FUSIBLE <b>21960 =&gt;</b>	7.644-018.0	1
56	KLEBEBAND / ADHESIV CLOTH TAPE / BANDE ADHESIVE <b>21960 =&gt;</b>	6.273-120.0	1
57	KABELDURCHFUEHRUNG / CABLE GLAND / PASE-CABLE	6.647-881.0	1

"=> xxxxxx" = bis Werknummer / up to serial No. / jusqu' au No. de fabr. / "xxxxxx =>" = ab Werknummer / from serial No. / a partir du No. de fabr. /



Symbolbeschreibung siehe M16 / symbol description see M16 / désignation de système voir M16 /

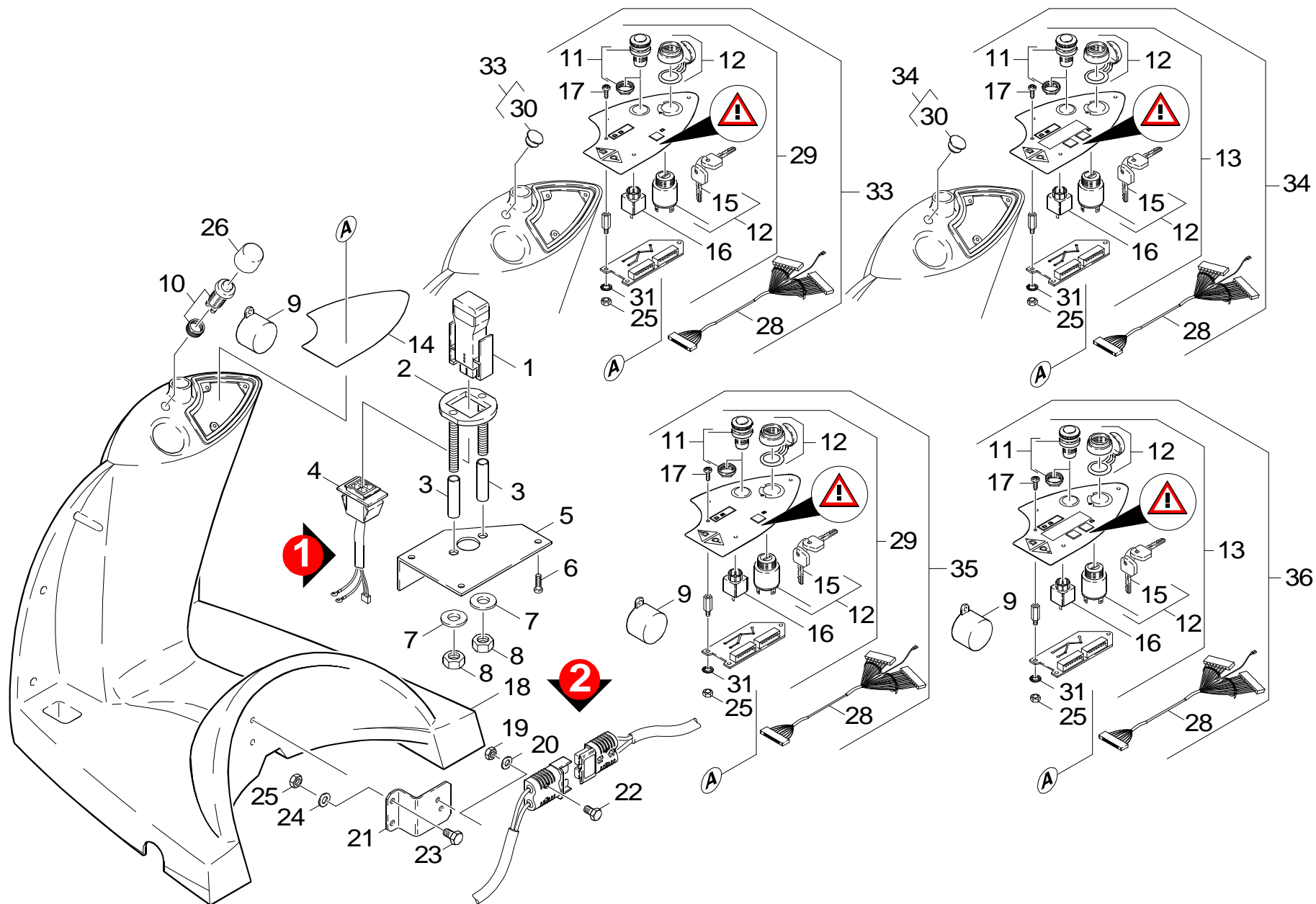
GRUPPE: 1.2 EINZELTEILE -FRONT  
 GROUP: 1.2 PIECE PARTS  
 GROUPE: 1.2 PIECES CONSTITUANTES

F1

BR/BD TRIKE

POS. ITM. POS.	BENNENNUNG DESCRIPTION DESIGNATION	TEILE-NR. PART-NO. NO.PIECE	STCK QTY. NBR.	POS. ITM. POS.	BENNENNUNG DESCRIPTION DESIGNATION	TEILE-NR. PART-NO. NO.PIECE	STCK QTY. NBR.
1	ABDECKHAUBE KPL. / COVER / CAPOT	4.066-271.0	1	24	SCHEIBE 8 / WASHER / RONDELLE	7.312-017.0	4
2	MOOSGUMMISCHNUR / CELLULAR RUBBER CORD / CORDON EN CAOUTCHOUC CELL	6.273-145.0	1	25	ZYL.SCHR. M 8X 20 / CHEESE HEAD SCREW / VIS A TETE CYLINDR.	7.306-144.0	4
	<b>ALS METERWARE BESTELLEN/TO ORDER AS CUT GOODS/COMMANDE COMME MARCHANDISE AU METRE</b>			26	SCHRAUBE 5 X 50 / SCREW / VIS	7.303-111.0	4
3	MUTTER / NUT / ECROU	5.310-128.0	1	27	SCHUTZKAPPE / PROTECTING CAP / CAPOT PROTECTION <b>023530 =&gt;</b>	6.368-294.0	1
4	SCHEIBE 11 / WASHER / RONDELLE	7.312-158.0	1		<b>/ 1.161-201.0 / -202.0 / -203.0 / -204.0 / -209.0 / -210.0 / -211.0 / -212.0</b>		
5	STERNGRIF M10X129 / CONTROL KNOB / POIGNEE-ETOILE	6.321-096.0	1	28	SICHERUNG 150A / CLIP / CONSOLIDATION <b>023530 =&gt;</b>	6.644-333.0	1
6	SCHRAUBE M 3X 20 / SCREW / VIS	7.306-055.0	2		<b>/ 1.161-201.0 / -202.0 / -203.0 / -204.0 / -209.0 / -210.0 / -211.0 / -212.0</b>		
7	6KT-MUTTER M 3 / HEXAGON NUT / ECROU HEXAGONAL	7.311-000.0	2	29	POLKLEMMER 1-FACH / POLE BINDER / BORNE POLAIRE <b>023530 =&gt;</b>	6.643-883.0	1
8	SCHEIBE 3 / WASHER / RONDELLE	7.312-280.0	2		<b>/ 1.161-201.0 / -202.0 / -203.0 / -204.0 / -209.0 / -210.0 / -211.0 / -212.0</b>		
9	KABEL / CABLE / CABLE <b>/ 1.161-209.0 / -210.0</b>	6.648-256.0	1	30	BLECH / PLATE / TOLE <b>/ 1.161-203.0 / -204.0 / -211.0 / -212.0</b>	5.058-617.0	1
10	SCHRAUBE M 6X 16 / SCREW / VIS	7.306-193.0	2	31	BATTERIELADEGERAET / BATTERY CHARGER / CHARGEUR <b>/ 1.161-203.0 / -204.0 / -211.0 / -212.0</b>	6.654-145.0	1
11	SCHEIBE 6 / WASHER / RONDELLE	7.312-026.0	2	32	SCHEIBE 5 / WASHER / RONDELLE	7.312-002.0	4
12	6KT-MUTTER M 6 / HEXAGON NUT / ECROU HEXAGONAL	7.311-067.0	2	33	SCHRAUBE M 5X 12 / SCREW / VIS	7.306-076.0	4
13	BLECHTEIL / PLATE / TOLE <b>/ 1.161-209.0 / -210.0</b>	5.049-284.0	1	34	LADEGERAET KPL. / BATTERY CHARGER / CHARGEUR <b>/ 1.161-203.0 / -204.0 / -211.0 / -212.0</b>	4.839-324.0	1
14	ANSCHLUSSKABEL / CONNECTION CABLE / CABLE <b>/ 1.161-103.0 / -104.0 / -202.0 / -203.0 / -204.0 / -211.0 / -212.0</b>	6.647-737.0	1				
15	ANSCHLUSSKABEL / CONNECTION CABLE / CABLE <b>/ 1.161-103.0 / -104.0 / -202.0 / -203.0 / -204.0 / -211.0 / -212.0</b>	6.647-738.0	2				
15	ANSCHLUSSKABEL *USA / CONNECTION CABLE / CABLE <b>/ 1.161-209.0 / -210.0</b>	6.648-298.0	1				
16	WANNE BATTERIE / TUB / CUVE <b>/ 1.161-209.0 / -210.0</b>	5.039-042.0	1				
17	BATTERIELADEGERAET / BATTERY CHARGER / CHARGEUR <b>/ =&gt; 19999</b> <b>/ 1.161-103.0 / -104.0 / -203.0 / -204.0 / -209.0 / -210.0 / -211.0 / -212.0</b>	6.654-109.0	1				
18	SCHEIBE / WASHER / RONDELLE	5.115-793.0	1				
19	BATTERIE DETA / BATTERY / BATTERIE <b>/ 1.161-103.0 / -104.0 / -203.0 / -204.0</b>	6.654-088.0	4				
19	BATTERIESATZ DETA / BATTERY KIT / LOT DE BATTERIE <b>/ 1.161-211.0 / -212.0</b>	6.654-130.0	1				
20	SCHRAUBE 5 X 35 / SCREW / VIS	7.303-110.0	2				
22	BLLENDE / SCREEN / ECRAN	5.131-042.0	1				
23	SCHRAUBE 5 X 16 / SCREW / VIS	7.303-107.0	3				

"=> xxxxxx" = bis Werknummer / up to serial No. / jusqu' au No. de fabr. / "xxxxxx =>" = ab Werknummer / from serial No. / a partir du No. de fabr. /



Symbolbeschreibung siehe M16 / symbol description see M16 / désignation de système voir M16 /



GRUPPE: 1.3 BEDIENPULT  
 GROUP: 1.3 CONTROL UNIT  
 GROUPE: 1.3 COMMANDE

# H1

# BR/BD TRIKE

POS. ITM. POS.	BENNENNUNG DESCRIPTION DESIGNATION	TEILE-NR. PART-NO. NO.PIECE	STCK QTY. NBR.	POS. ITM. POS.	BENNENNUNG DESCRIPTION DESIGNATION	TEILE-NR. PART-NO. NO.PIECE	STCK QTY. NBR.
1	STECKER / PLUG / FICHE <b>VERS. 1</b>	4.839-233.0	1	20	SCHEIBE 5 / WASHER / RONDELLE <b>VERS. 2</b>	7.312-002.0	2
2	BLECHTEIL / PLATE / TOLE <b>VERS. 1</b>	4.038-761.0	1	21	BLECHTEIL / PLATE / TOLE <b>VERS. 2</b>	5.059-003.0	1
3	ACHSE / AXLE / ESSIEU <b>VERS. 1</b>	5.105-245.0	2	22	SCHRAUBE M 5X 40 / SCREW / VIS <b>VERS. 2</b>	7.306-084.0	2
4	STECKER / PLUG / FICHE <b>VERS. 1</b>	4.822-083.0	1	23	SCHRAUBE M 6X 12 / SCREW / VIS <b>VERS. 2</b>	7.306-089.0	2
5	BLECHTEIL / PLATE / TOLE <b>VERS. 1</b>	5.048-677.0	1	24	SCHEIBE 6 / WASHER / RONDELLE <b>VERS. 2</b>	7.312-003.0	2
6	SCHRAUBE 5 X 16 / SCREW / VIS <b>VERS. 1</b>	7.303-104.0	3	25	6KT-MUTTER M 3 / HEXAGON NUT / ECROU HEXAGONAL <b>VERS. 2</b>	7.311-000.0	5
7	SCHEIBE 6 / WASHER / RONDELLE <b>VERS. 1</b>	7.312-026.0	2	26	GUMMIKAPPE / RUBBER CAP / CAPUCHON EN CAOUTCHOUC	6.634-219.0	1
8	6KT-MUTTER M 6 / HEXAGON NUT / ECROU HEXAGONAL <b>VERS. 1</b>	7.311-067.0	2	28	ADAPTERKABEL / ADAPTOR CABLE / CABLE ADAPTATION <b>22228 =&gt; / =&gt; 23529</b>	6.648-729.0	1
9	SUMMER / BUZZER / VIBREUR SONDRÉ	6.630-158.0	1	29	INSTRUMENTENTAFEL / CONTROL PANEL / TABLEAU DE BORD <b>/ =&gt; 22227</b>	4.841-102.0	1
10	DRUCKTASTER / PUSH BUTTON / BOUTON-POUSSOIR	6.634-214.0	1		<b>/ 1.161-101.0 / -102.0</b>		
11	NOTAUS-TASTER / EMERGENCY-CALIPERS / BOUTON-POUS. D'URGENCE	6.600-113.0	1	29	INSTRUMENTENTAFEL / CONTROL PANEL / TABLEAU DE BORD <b>22228 =&gt;</b>	4.841-129.0	1
12	SCHLUESSELSCHALTER / KEY SWITCH / BOUTON A CLE	6.630-106.0	1		<b>/ 1.161-201.0 / -202.0 / -209.0 / -210.0</b>		
13	INSTRUMENTENTAFEL / CONTROL PANEL / TABLEAU DE BORD <b>/ =&gt; 22227</b> <b>/ 1.161-103.0 / -104.0</b>	4.841-101.0	1	30	ABDECKKAPPE / CAP / CHAPE	6.368-099.0	1
13	INSTRUMENTENTAFEL / CONTROL PANEL / TABLEAU DE BORD <b>22228 =&gt;</b> <b>/ 1.161-203.0 / -204.0 / -209.0 / -210.0 / -211.0 / -212.0</b>	4.841-128.0	1	31	FAECHERSCHEIBE A3,2 / SERRATED LOCK WASHER / RONDELLE A EVENTAIL	7.312-234.0	3
14	MOOSGUMMISCHNUR / CELLULAR RUBBER CORD / CORDON EN CAOUTCHOUC CELL <b>ALS METERWARE BESTELLEN/TO ORDER AS CUT GOODS/COMMANDE COMME MARCHANDISE AU METRE</b>	6.273-145.0	1	33	UBS INSTRUMENTENTAF. / CONVERSION KIT / KIT DE MODIFIC. <b>/ 1.161-201.0 / -202.0 / -209.0 / -210.0</b>	2.882-554.0	1
15	SCHLUESSEL ERSATZ / KEY / CLE	6.600-210.0	1	34	UBS INSTRUMENTENTAF. / CONVERSION KIT / KIT DE MODIFIC. <b>/ 1.161-203.0 / -204.0 / -211.0 / -212.0</b>	2.882-553.0	1
16	SCHALTELEMENT / CIRCUIT ELEMENT / ELEMENT DE CIRCUIT	6.600-114.0	1	35	UBS INSTRUMENTENTAF. / CONVERSION KIT / KIT DE MODIFIC. <b>/ 1.161-201.0 / -202.0 / -209.0 / -210.0</b>	2.882-561.0	1
17	SCHRAUBE 4 X 16 / SCREW / VIS	7.303-129.0	3	36	UBS INSTRUMENTENTAF. / CONVERSION KIT / KIT DE MODIFIC. <b>/ 1.161-203.0 / -204.0 / -211.0 / -212.0</b>	2.882-560.0	1
18	GEHAEUSE / HOUSING / BOITIER	5.031-581.0	1				
19	6KT-MUTTER M 5 / HEXAGON NUT / ECROU HEXAGONAL <b>VERS. 2</b>	7.311-002.0	2				

"=> xxxxxx" = bis Werknummer / up to serial No. / jusqu' au No. de fabr. / "xxxxxx =>" = ab Werknummer / from serial No. / a partir du No. de fabr. /

GRUPPE: 2.0 WASSERTANK  
GROUP: 2.0 WATER TANK  
GRUPPE: 2.0 RESERVOIR A EAU

**A2**

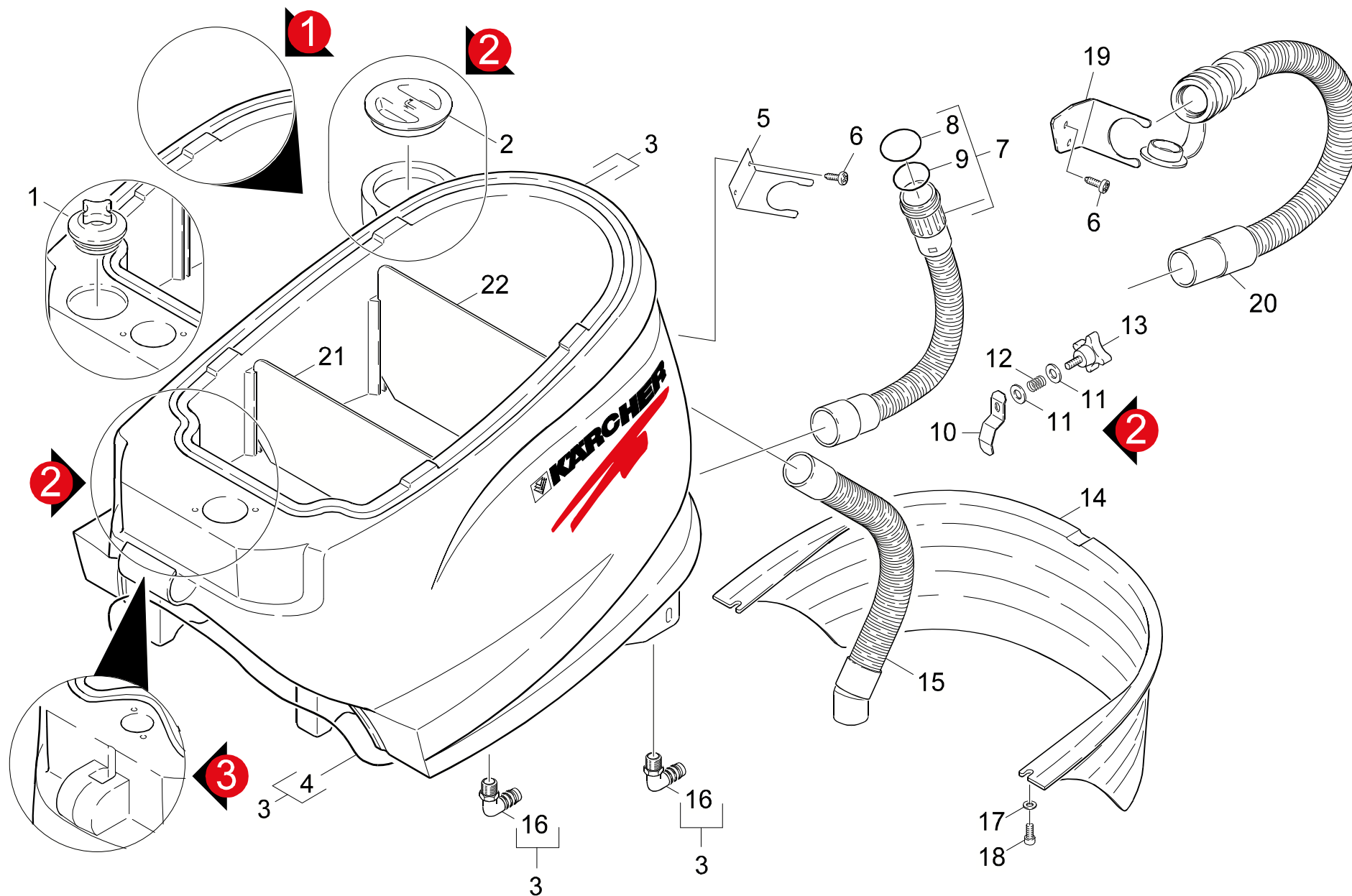
**BR/BD TRIKE**

**GRUPPE: 2.0 WASSERTANK**  
**GROUP: 2.0 WATER TANK**  
**GRUPPE: 2.0 RESERVOIR A EAU**

GRUPPE: 2.0 WASSERTANK  
GROUP: 2.0 WATER TANK  
GROUPE: 2.0 RESERVOIR A EAU

B2

BR/BD TRIKE



Symbolbeschreibung siehe M16 / symbol description see M16 / désignation de système voir M16 /

GRUPPE: 2.0 WASSERTANK  
 GROUP: 2.0 WATER TANK  
 GROUPE: 2.0 RESERVOIR A EAU

## C2

## BR/BD TRIKE

POS. ITM. POS.	BENNENNUNG DESCRIPTION DESIGNATION	TEILE-NR. PART-NO. NO.PIECE	STCK QTY. NBR.	POS. ITM. POS.	BENNENNUNG DESCRIPTION DESIGNATION	TEILE-NR. PART-NO. NO.PIECE	STCK QTY. NBR.
1	DECKEL TANKVERSCHL. / COVER / COUVERCLE <b>VERS 1</b>	4.063-664.0	1	15	SAUGSCHLAUCH DN 38 / SUCTION HOSE / FLEXIBLE D'ASPIRATION	6.390-728.0	1
2	DECKEL / COVER / COUVERCLE <b>VERS 2</b>	5.063-650.0	1	16	<b>OELFEST/OIL RESISTANT/RESISTANT # L'HUILE</b> WINKELTUELLE / ANGLE SOCKET / COUDE	5.443-481.0	2
3	TANK KPL. / TANK / RESERVOIR <b>VERS 2</b>	4.071-111.0	1	17	SCHEIBE 6 / WASHER / RONDELLE	7.312-260.0	2
3	TANK KPL. / TANK / RESERVOIR <b>VERS 1 / =&gt; 19999</b>	4.071-118.0	1	18	SCHRAUBE M 6X 20 / SCREW / VIS	7.306-194.0	2
3	TANK KPL. / TANK / RESERVOIR <b>VERS 3 20000 =&gt;</b>	4.071-123.0	1	19	SCHLAUCHHALTER LINKS / HOSE BRACKET / SUPPORT POUR TUYAU	5.059-541.0	1
4	MOOSGUMMISCHNUR / CELLULAR RUBBER CORD / CORDON EN CAOUTCHOUC CELL <b>ALS METERWARE BESTELLEN/TO ORDER AS CUT GOODS/COMMANDE COMME MARCHANDISE AU METRE</b>	6.273-178.0	2	20	ABLASSSCHLAUCH DN38 / DRAIN HOSE / TUYAU FLEX. D'ECOULEMENT <b>STANDARD/STANDARD/STANDARD</b>	6.390-609.0	1
5	BLECHTEIL / PLATE / TOLE	5.048-282.0	1	20	ABLASSSCHLAUCH DN38 / DRAIN HOSE / TUYAU FLEX. D'ECOULEMENT <b>OELFEST/OIL RESISTANT/RESISTANT # L'HUILE</b>	6.390-734.0	1
6	SCHRAUBE 5 X 16 / SCREW / VIS	7.303-107.0	2	21	BLECH / PLATE / TOLE <b>/ =&gt; 19999</b>	5.007-000.0	1
7	ABLASSSCHLAUCH KPL. / DRAIN HOSE / TUYAU FLEX. D'ECOULEMENT <b>FUER ASA 80/FOR ASA 80/POUR ASA 80</b>	4.446-016.0	1	21	BLECH / PLATE / TOLE <b>20000 =&gt;</b>	5.007-307.0	1
8	O-RING 46,0 X 3,0 / GASKET / BAQUE D'ETANCHEITE	6.362-090.0	1	22	BLECH / PLATE / TOLE <b>/ =&gt; 19999</b>	5.007-306.0	1
9	O-RING 43,0 X 3,0 / GASKET / BAQUE D'ETANCHEITE	6.362-111.0	1	22	BLECH / PLATE / TOLE <b>20000 =&gt;</b>	5.007-308.0	1
10	BLECHTEIL / PLATE / TOLE <b>VERS 2</b>	5.048-707.0	1				
11	SCHEIBE 6 / WASHER / RONDELLE <b>VERS 2</b>	7.312-292.0	2				
12	SCHRAUBENFEDER / HELICAL SPRING / RESSORT CYLINDRIQUE <b>VERS 2</b>	5.332-290.0	1				
13	GRIFF M6 X 20 / HANDLE / POIGNEE <b>VERS 2</b>	6.321-069.0	1				
14	ABDECKUNG / COVERING CAP / CHAPEAU <b>VERS 2 *EUR</b>	5.067-034.0	1				
14	ABDECKUNG BATTERIE / COVERING CAP / CHAPEAU <b>VERS 1 *EUR</b>	5.067-130.0	1				
14	ABDECKUNG / COVERING CAP / CHAPEAU <b>VERS 2 *USA</b>	5.067-146.0	1				
15	SAUGSCHLAUCH DN38 / SUCTION HOSE / FLEXIBLE D'ASPIRATION <b>STANDARD/STANDARD/STANDARD</b>	6.390-265.0	1				

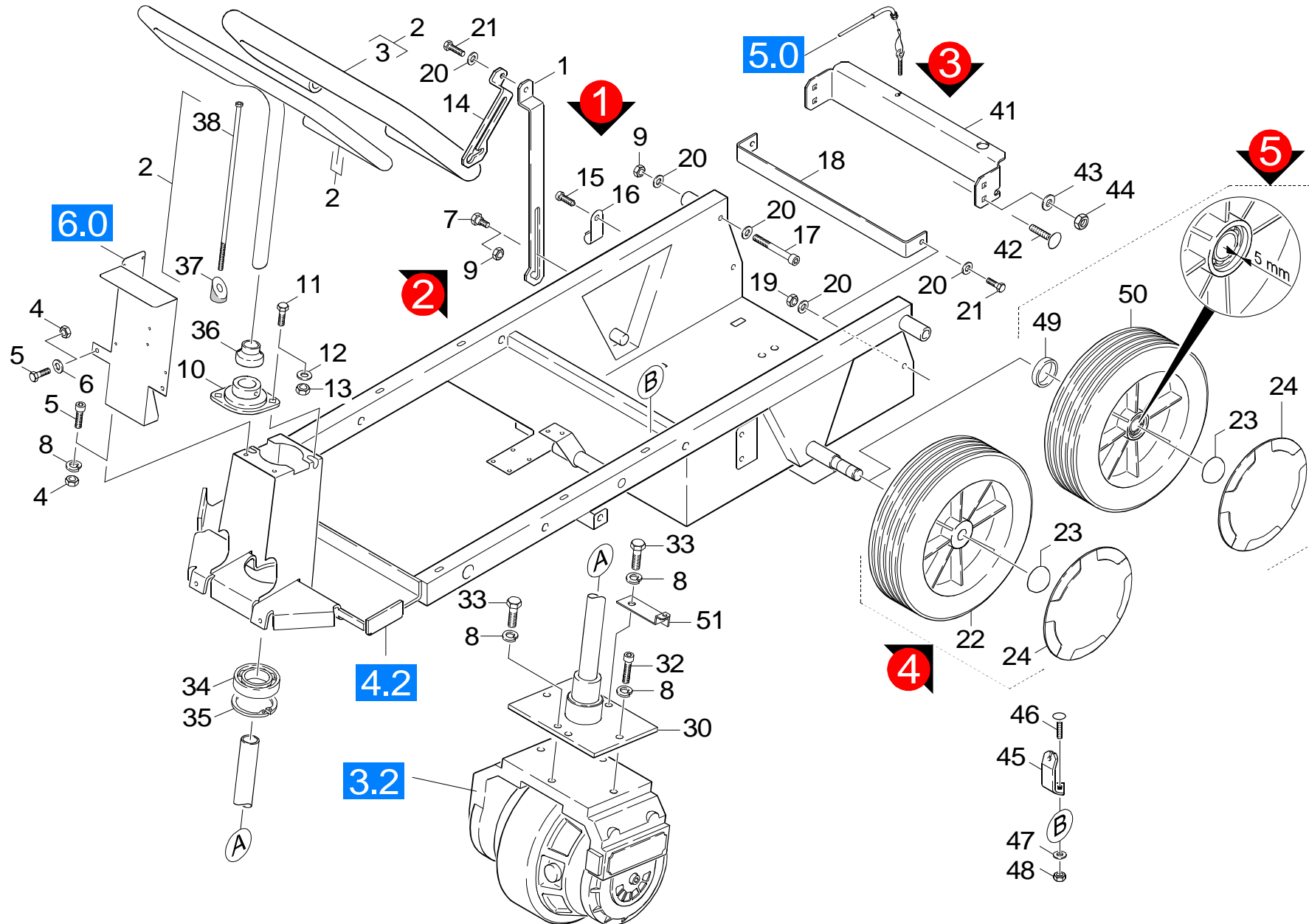
"=> xxxxxx" = bis Werknummer / up to serial No. / jusqu' au No. de fabr. / "xxxxxx =>" = ab Werknummer / from serial No. / a partir du No. de fabr. /

GRUPPE: 3.0 FAHRWERK & LENKUNG  
GROUP: 3.0 RUNNING GEAR  
GRUPPE: 3.0 MECANISME D'ROULEMENT

**A3**

**BR/BD TRIKE**

**GRUPPE: 3.0 FAHRWERK & LENKUNG**  
**GROUP: 3.0 RUNNING GEAR**  
**GRUPPE: 3.0 MECANISME D'ROULEMENT**



Symbolbeschreibung siehe M16 / symbol description see M16 / désignation de système voir M16 /

GRUPPE: 3.1 FAHRWERK & LENKUNG  
 GROUP: 3.1 RUNNING GEAR  
 GROUPE: 3.1 MECANISME D'ROULEMENT

**C3**

**BR/BD TRIKE**

POS. ITM. POS.	BENNENNUNG DESCRIPTION DESIGNATION	TEILE-NR. PART-NO. NO.PIECE	STCK QTY. NBR.	POS. ITM. POS.	BENNENNUNG DESCRIPTION DESIGNATION	TEILE-NR. PART-NO. NO.PIECE	STCK QTY. NBR.
1	BLECHTEIL / PLATE / TOLE <b>VERS 2 / =&gt; 19999</b>	5.048-708.0	1	21	6KT-SCHR. M 8X 20 / HEXAGONAL HEAD SCREW / VIS HEXAGONAL <b>/ =&gt; 19999</b>	7.304-516.0	2
1	BLECHTEIL / PLATE / TOLE <b>VERS 2 20000 =&gt;</b>	5.049-620.0	1	22	RAD / WHEEL / ROUE <b>VERS 4</b>	6.435-350.0	2
2	BUEGEL KPL / STRAP / ETRIER	4.034-103.0	1	23	S-RING A 20X 1,2 / SPRING CLIP / CIRCLIP	7.343-040.0	2
3	SCHLAUCH / HOSE / TUYAU FLEXIBLE	6.390-269.0	1	24	RADKAPPE / WHEEL CAB / ENJOLIVEUR	5.392-025.0	2
4	6KT-MUTTER M 6 / HEXAGON NUT / ECROU HEXAGONAL	7.311-067.0	4	28	6KT-SCHR. M 8X 16 / HEXAGONAL HEAD SCREW / VIS HEXAGONAL	7.304-538.0	3
5	6KT-SCHR. M 6X 20 / HEXAGONAL HEAD SCREW / VIS HEXAGONAL	7.304-536.0	6	30	HALTER KPL. / BRACKET / FIXATION	4.042-876.0	1
6	SCHEIBE 6 / WASHER / RONDELLE	7.312-026.0	4	32	ZYL.SCHR. M10X 30 / CHEESE HEAD SCREW / VIS A TETE CYLINDR.	7.306-063.0	2
7	BOLZEN / BOLT / BOULON <b>VERS 2</b>	5.316-926.0	1	33	6KT-SCHR. M10X 20 / HEXAGONAL HEAD SCREW / VIS HEXAGONAL	7.304-528.0	2
8	FEDERRING A 10 / SPRING WASHER / RONDELLE GROWER	7.313-030.0	6	34	KUGELLAGER 6009-2RS / BALL BEARING / ROULEMENT A BILLE	7.401-163.0	1
9	6KT-MUTTER M 16 LH / HEXAGON NUT / ECROU HEXAGONAL <b>VERS 2</b>	7.311-017.0	1	35	S-RING 75X2,5 / SPRING CLIP / CIRCLIP	7.343-117.0	1
10	FLANSCHLAGER / FLANGED BEARING / FLASQUE-BRIDE	6.401-306.0	1	36	ABDECKUNG / COVERING CAP / CHAPEAU	5.067-035.0	1
11	6KT-SCHR. M10X 25 / HEXAGONAL HEAD SCREW / VIS HEXAGONAL	7.304-801.0	2	37	HUELSE / SLEEVE / DOUILLE	5.110-745.0	1
12	SCHEIBE 10 / WASHER / RONDELLE	7.312-066.0	2	38	GEWINDESTANGE / ROD / TIGE FILETEE	5.309-098.0	1
13	6KT-MUTTER M10 / HEXAGON NUT / ECROU HEXAGONAL	7.311-066.0	2	41	HALTER / BRACKET / FIXATION <b>20000 =&gt;</b>	5.044-400.0	1
14	BLECHTEIL / PLATE / TOLE <b>* USA / =&gt; 19999</b> <b>/ 1.161-209.0 / -210.0</b>	5.049-285.0	1	42	FL.RD.SCHR. M 8X 16 / SAUCER-HEAD SCREW / BOULON A TETE BOMBEE <b>20000 =&gt;</b>	7.303-193.0	4
14	BLECHTEIL / PLATE / TOLE <b>/ =&gt; 023530</b> <b>/ 1.161-209.0 / -210.0</b>	5.049-621.0	1	43	SCHEIBE 8 / WASHER / RONDELLE <b>20000 =&gt;</b>	7.312-004.0	4
15	SENKSCHR. M 6X 12 / FLAT HEADED SCREW / VIS A TETE CONIQUE	7.305-622.0	1	44	6KT-MUTTER M 8 / HEXAGON NUT / ECROU HEXAGONAL <b>20000 =&gt;</b>	7.311-004.0	4
16	HALTER / BRACKET / FIXATION <b>VERS 1</b>	6.373-691.0	1	45	BLECHTEIL / PLATE / TOLE <b>20000 =&gt;</b>	5.049-524.0	1
17	FL.RD.SCHR. M 8X 80 / SAUCER-HEAD SCREW / BOULON A TETE BOMBEE	7.303-168.0	2	46	FL.RD.SCHR. M 6X 16 / SAUCER-HEAD SCREW / BOULON A TETE BOMBEE <b>20000 =&gt;</b>	7.303-160.0	1
18	HALTER / BRACKET / FIXATION <b>/ =&gt; 19999</b>	5.044-176.0	1	47	SCHEIBE 6 / WASHER / RONDELLE <b>20000 =&gt;</b>	7.312-003.0	1
19	6KT-MUTTER M 8 / HEXAGON NUT / ECROU HEXAGONAL <b>/ =&gt; 19999</b>	7.311-068.0	2	48	6KT-MUTTER M 6 / HEXAGON NUT / ECROU HEXAGONAL <b>20000 =&gt;</b>	7.311-003.0	1
20	SCHEIBE 8 / WASHER / RONDELLE <b>/ =&gt; 19999</b>	7.312-017.0	6	49	HUELSE 4,8MM / SLEEVE / DOUILLE <b>VERS 5</b>	5.110-574.0	2

"=> xxxxxx" = bis Werknummer / up to serial No. / jusqu' au No. de fabr. / "xxxxxx =>" = ab Werknummer / from serial No. / a partir du No. de fabr. /

GRUPPE: 3.1 FAHRWERK & LENKUNG  
GROUP: 3.1 RUNNING GEAR  
GRUPPE: 3.1 MECANISME D'ROULEMENT

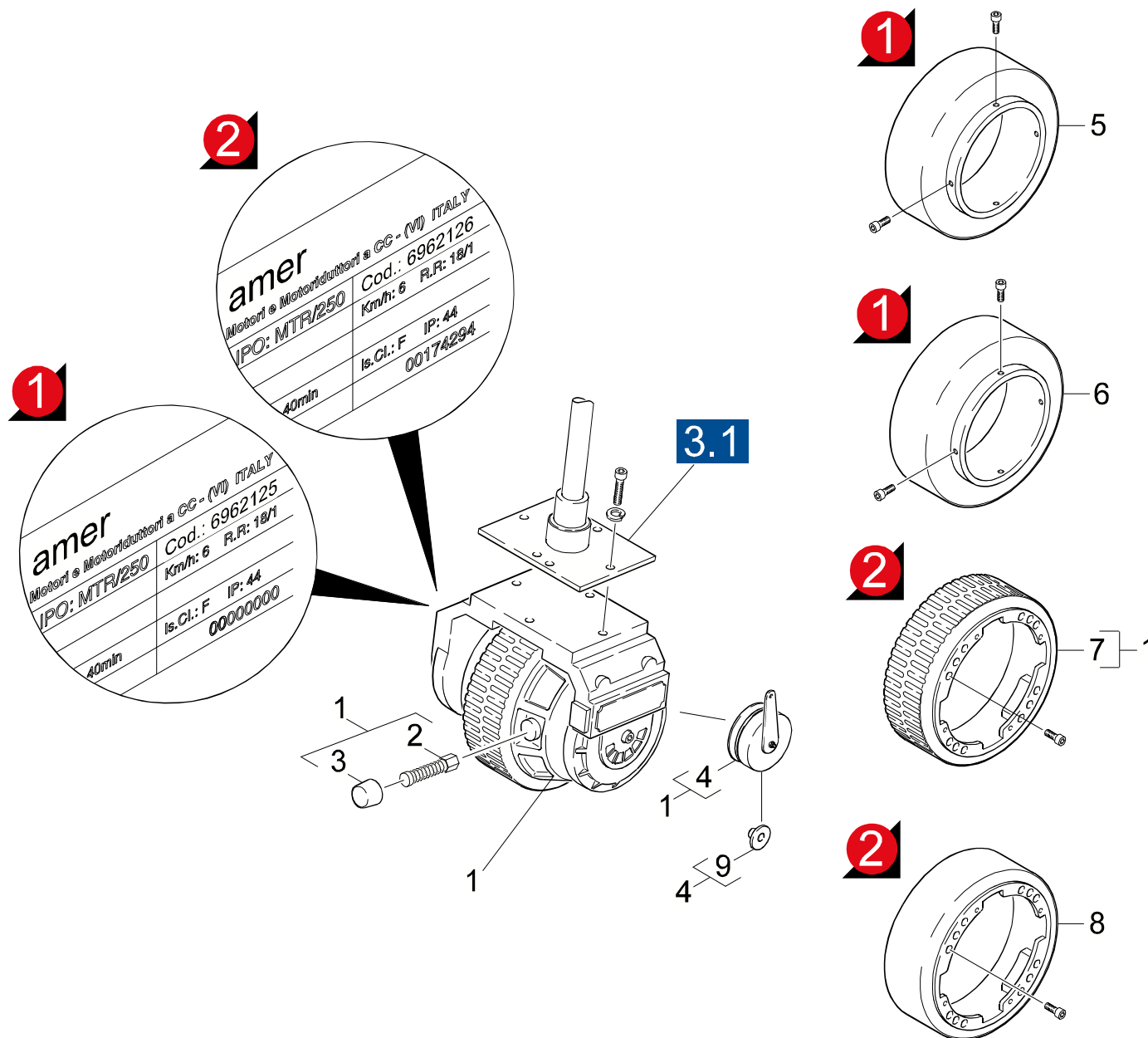
**D3**

**BR/BD TRIKE**

POS.	BENNENNUNG	TEILE-NR.	STCK
ITM.	DESCRIPTION	PART-NO.	QTY.
POS.	DESIGNATION	NO.PIECE	NBR.
50	RAD / WHEEL / ROUE	5.515-176.0	2
	<b>VERS 5</b>		
51	HALTER / BRACKET / FIXATION	5.058-670.0	1

"=> xxxxxx" = bis Werknummer / up to serial No. / jusqu' au No. de fabr. / "xxxxxx =>" = ab Werknummer / from serial No. / a partir du No. de fabr. /





Symbolbeschreibung siehe M16 / symbol description see M16 / désignation de système voir M16 /

GRUPPE: 3.2 FAHRMOTOR  
GROUP: 3.2 WHEEL-DRIVE MOTOR  
GROUPE: 3.2 MOTEUR

F3

BR/BD TRIKE

POS. ITM. POS.	BENNENUNG DESCRIPTION DESIGNATION	TEILE-NR. PART-NO. NO.PIECE	STCK QTY. NBR.
1	FAHRMOTOR / WHEEL-DRIVE MOTOR / MOTEUR	6.613-059.0	1
2	KOHLEBUERSTENSATZ / CARBON BRUSH SET / CHARBONS	6.610-091.0	1
	<b>VERSION 1/VERSION 1/VERSION 1</b>		
2	KOHLEBUERSTENSATZ / CARBON BRUSH SET / CHARBONS	6.610-211.0	1
	<b>VERSION 2/VERSION 2/VERSION 2</b>		
3	KAPPE -KOHLEBUER. / CAP / CAPUCHON	6.961-714.0	4
4	BREMSE FAHRMOTOR / BRAKE / FREIN	6.467-028.0	1
5	REIFEN TRIKE / TIRE / PNEUS	6.435-386.0	1
	<b>VERSION 1/VERSION 1/VERSION 1</b>		
6	REIFEN TRIKE / TIRE / PNEUS	6.435-403.0	1
	<b>OELFEST/OIL RESISTANT/RESISTANT # L'HUILE</b>		
7	REIFEN TRIKE / TIRE / PNEUS	6.435-402.0	1
	<b>VERSION 2/VERSION 2/VERSION 2</b>		
8	REIFEN TRIKE / TIRE / PNEUS	6.435-417.0	1
	<b>OELFEST/OIL RESISTANT/RESISTANT # L'HUILE</b>		
9	KUPPLUNG / COUPLER / COUPLEUR	6.394-391.0	1

"=> xxxxxx" = bis Werknummer / up to serial No. / jusqu' au No. de fabr. / "xxxxxx =>" = ab Werknummer / from serial No. / a partir du No. de fabr. /

GRUPPE: 4.0 BEDIENELEMENTE  
GROUP: 4.0 OPERATING ELEMENT  
GRUPPE: 4.0 ELEMENT D'EMPLOI

**A4**

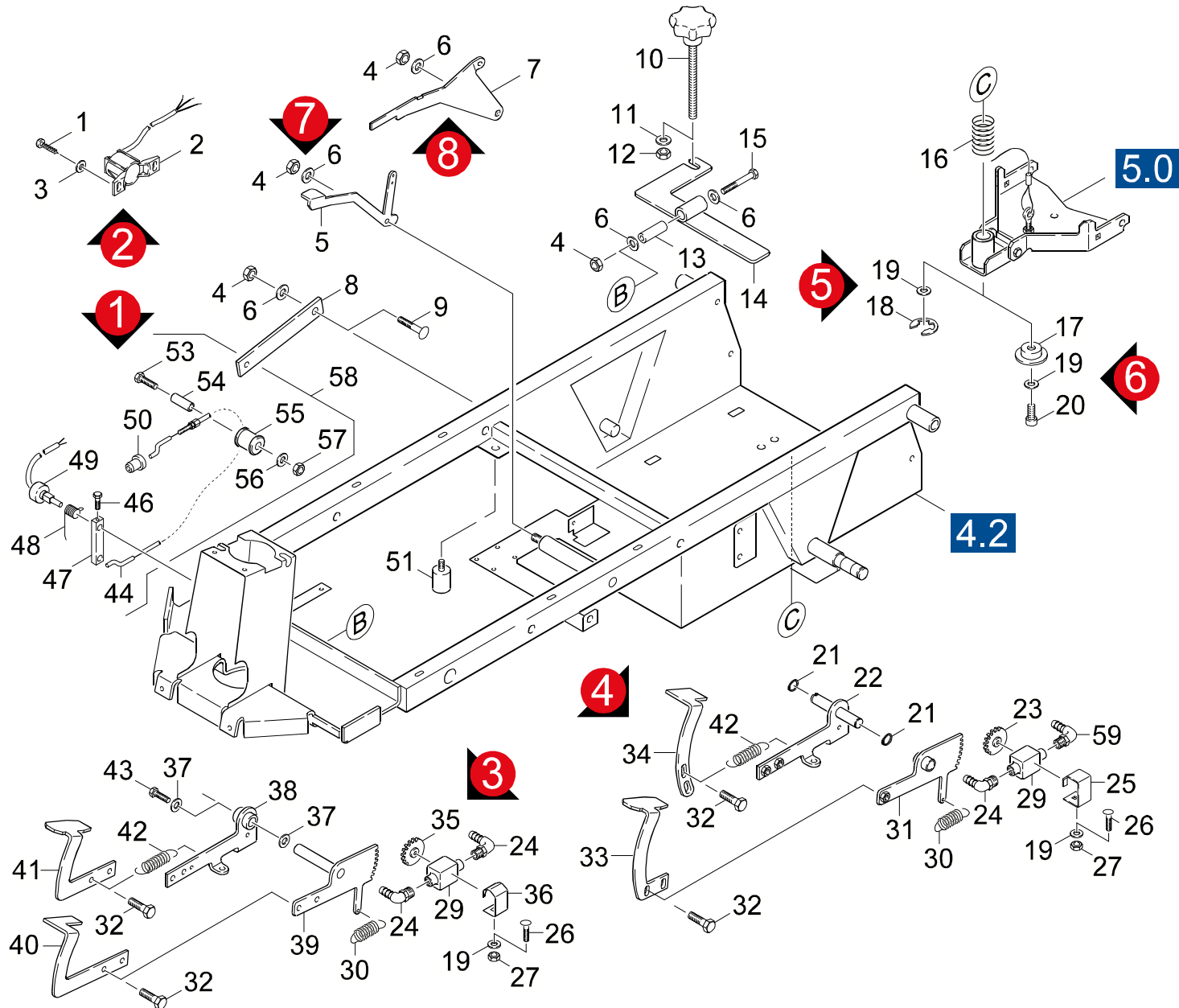
**BR/BD TRIKE**

**GRUPPE: 4.0 BEDIENELEMENTE**  
**GROUP: 4.0 OPERATING ELEMENT**  
**GRUPPE: 4.0 ELEMENT D'EMPLOI**

GRUPPE: 4.1 BEDIENELEMENTE I  
GROUP: 4.1 OPERATING ELEMENT  
GRUPPE: 4.1 ELEMENT D'EMPLOI

B4

BR/BD TRIKE



Symbolbeschreibung siehe M16 / symbol description see M16 / désignation de système voir M16 /

GRUPPE: 4.1 BEDIENELEMENTE I  
 GROUP: 4.1 OPERATING ELEMENT  
 GROUPE: 4.1 ELEMENT D'EMPLOI

# C4

# BR/BD TRIKE

POS. ITM. POS.	BENNENNUNG DESCRIPTION DESIGNATION	TEILE-NR. PART-NO. NO.PIECE	STCK QTY. NBR.	POS. ITM. POS.	BENNENNUNG DESCRIPTION DESIGNATION	TEILE-NR. PART-NO. NO.PIECE	STCK QTY. NBR.
1	BOHRSCHR. ST4,8X16 / SCREW / VIS <b>20000 =&gt;</b>	6.303-183.0	2	25	HALTER / BRACKET / FIXATION <b>20000 =&gt;</b>	5.044-436.0	1
2	FAHRREGLER / MOTOR CONTROLLER / REGULATEUR <b>20000 =&gt;</b>	6.600-217.0	1	26	FL.RD.SCHR. M 6X 16 / SAUCER-HEAD SCREW / BOULON A TETE BOMBEE	7.303-187.0	1
3	SCHEIBE 6 / WASHER / RONDELLE	7.312-003.0	2	27	6KT-MUTTER M 6 / HEXAGON NUT / ECROU HEXAGONAL	7.311-067.0	1
4	6KT-MUTTER M 8 / HEXAGON NUT / ECROU HEXAGONAL	7.311-068.0	8	29	KUGELHAHN / BALL VALVE / ROBINET SPHERIQUE	6.413-099.0	1
5	HEBEL / LEVER / LEVIER <b>/ =&gt; 19999</b>	5.481-243.0	1	30	ZUGFEDER / EXTENSION SPRING / RESSORT DE TRACTION	6.330-015.0	1
6	SCHEIBE 8 / WASHER / RONDELLE	7.312-017.0	5	31	HEBEL KPL. / LEVER / LEVIER <b>20000 =&gt;</b>	4.481-166.0	1
7	HEBEL / LEVER / LEVIER <b>20000 =&gt;</b>	5.481-301.0	1	32	6KT-SCHR. M 8X 20 / HEXAGONAL HEAD SCREW / VIS HEXAGONAL	7.304-516.0	2
8	HEBEL / LEVER / LEVIER <b>/ 1.161-101.0 / -103.0 / -201.0 / -203.0 / -209.0</b>	5.481-246.0	1	33	HEBEL / LEVER / LEVIER <b>20000 =&gt;</b>	5.481-309.0	1
9	FL.RD.SCHR. M 8X 50 / SAUCER-HEAD SCREW / BOULON A TETE BOMBEE	7.303-009.0	1	34	HEBEL / LEVER / LEVIER <b>20000 =&gt;</b>	5.481-308.0	1
10	STERNGRIF M10X129 / CONTROL KNOB / POIGNEE-ETOILE	6.321-096.0	1	35	BLECHTEIL / PLATE / TOLE <b>/ =&gt; 19999</b>	4.038-726.0	1
11	SCHEIBE 11 / WASHER / RONDELLE	7.312-158.0	3	36	HALTER / BRACKET / FIXATION <b>/ =&gt; 19999</b>	5.044-189.0	1
12	MUTTER / NUT / ECROU	5.310-128.0	1	37	SCHEIBE 16 / WASHER / RONDELLE <b>/ =&gt; 19999</b>	7.312-057.0	3
13	HUELSE / SLEEVE / DOUILLE	5.110-765.0	1	38	HEBEL KPL. / LEVER / LEVIER <b>/ =&gt; 19999</b>	4.481-137.0	1
14	HEBEL KPL. / LEVER / LEVIER	4.481-146.0	1	39	HEBEL KPL. / LEVER / LEVIER <b>/ =&gt; 19999</b>	4.481-136.0	1
15	6KT-SCHR. M 8X 70 / HEXAGONAL HEAD SCREW / VIS HEXAGONAL	7.304-264.0	1	40	HEBEL KOMPLETT / LEVER / LEVIER <b>/ =&gt; 19999</b>	4.481-143.0	1
16	SCHRAUBENFEDER / HELICAL SPRING / RESSORT CYLINDRIQUE	5.332-206.0	1	41	HEBEL KOMPLETT / LEVER / LEVIER	4.481-142.0	1
17	HUELSE / SLEEVE / DOUILLE <b>VERS 6</b>	5.110-868.0	1	42	ZUGFEDER / EXTENSION SPRING / RESSORT DE TRACTION	6.330-142.0	1
18	S-SCHEIBE 12 / LOCK WASHER / RONDELLE D'ARRET <b>VERS 5</b>	7.343-206.0	1	43	6KT-SCHR. M 8X 16 / HEXAGONAL HEAD SCREW / VIS HEXAGONAL	7.304-538.0	1
19	SCHEIBE 6 / WASHER / RONDELLE <b>VERS 6</b>	7.312-026.0	1	44	SEIL 0.75 / ROPE / CABLE <b>20000 =&gt;</b>	4.172-020.0	1
20	SCHRAUBE M 6X 16 / SCREW / VIS <b>VERS 6</b>	7.306-031.0	1	46	SCHRAUBE M 3X 20 / SCREW / VIS <b>/ =&gt; 19999</b>	7.306-055.0	1
21	S-RING 16X1 / SPRING CLIP / CIRCLIP <b>20000 =&gt;</b>	7.343-005.0	2	47	HEBEL / LEVER / LEVIER <b>/ =&gt; 19999</b>	5.481-254.0	1
22	HEBEL KPL. / LEVER / LEVIER <b>20000 =&gt;</b>	4.481-167.0	1	48	BIEGEFEDER / SPIRAL SPRING / RESSORT SPIRAL <b>/ =&gt; 19999</b>	5.335-035.0	1
23	BLECHTEIL / PLATE / TOLE <b>20000 =&gt;</b>	4.038-930.0	1				
24	WINKELTUELLE / ANGLE SOCKET / COUDE	6.389-899.0	1				

"=> xxxxxx" = bis Werknummer / up to serial No. / jusqu' au No. de fabr. / "xxxxxx =>" = ab Werknummer / from serial No. / a partir du No. de fabr. /

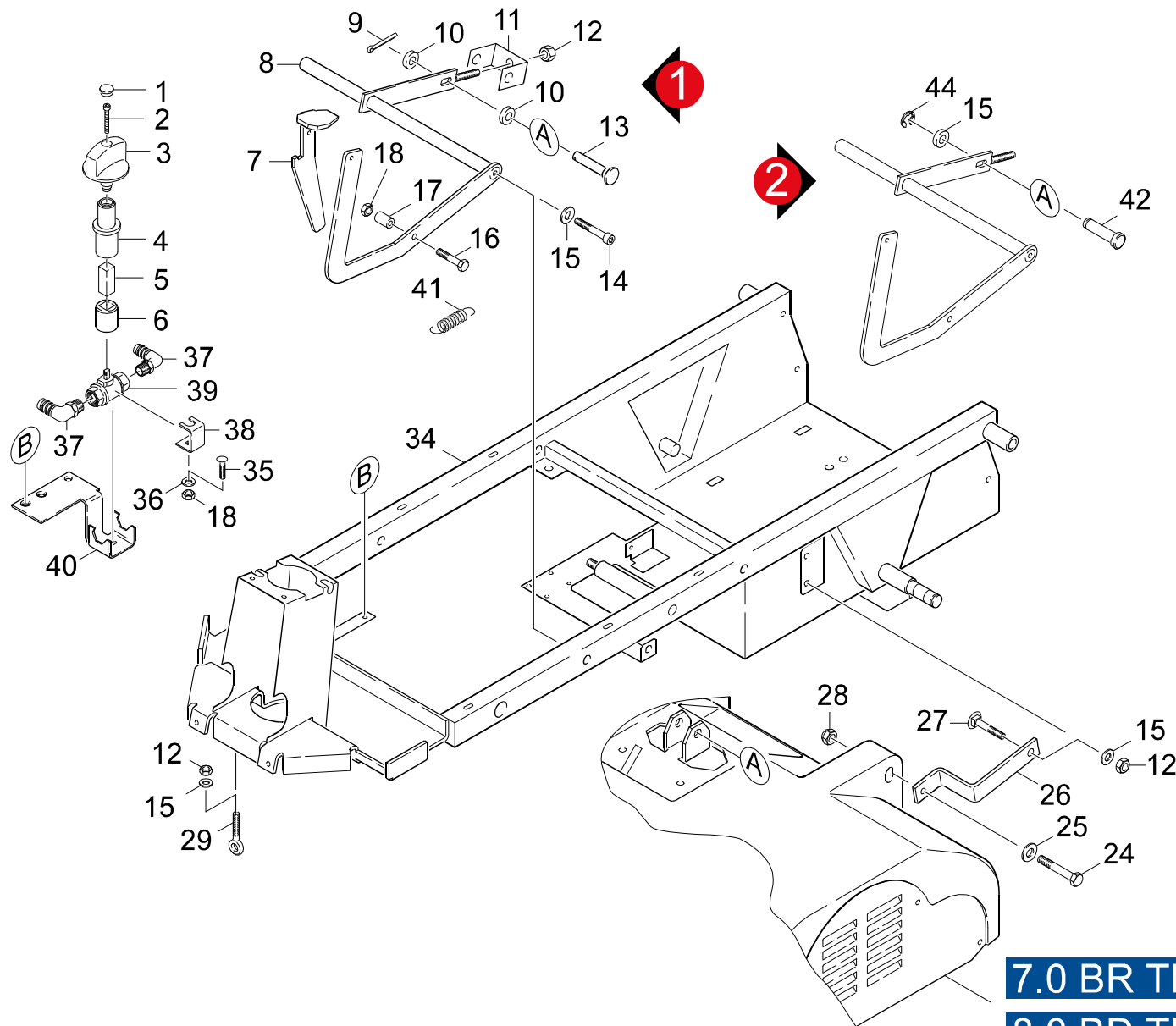
GRUPPE: 4.1 BEDIENELEMENTE I  
GROUP: 4.1 OPERATING ELEMENT  
GROUPE: 4.1 ELEMENT D'EMPLOI

D4

BR/BD TRIKE

POS. ITM. POS.	BENNENNUNG DESCRIPTION DESIGNATION	TEILE-NR. PART-NO. NO.PIECE	STCK QTY. NBR.
49	POTENTIOMETER / POTENTIOMETER / POTENTIOMETRE / => 19999	6.652-031.0	1
50	HALTER BOWDENZUG / BRACKET / FIXATION / => 19999	6.373-695.0	1
51	GUMMIPUFFER / RUBBER BUFFER / BUTOIR CAOUTCHOUC	6.339-108.0	1
52	WINKELTUELLE / ANGLE SOCKET / COUDE	6.390-328.0	1
53	SCHRAUBE M 5X 35 / SCREW / VIS / => 19999	7.306-185.0	1
54	HUELSE / SLEEVE / DOUILLE / => 19999	5.110-874.0	1
55	BUECHSE / BUSH / DOUILLE / => 19999	5.112-652.0	1
56	SCHEIBE 5 / WASHER / RONDELLE / => 19999	7.312-002.0	1
57	6KT-MUTTER M 5 / HEXAGON NUT / ECROU HEXAGONAL / => 19999	7.311-002.0	1
58	UBS POTI-SEILZUG / CONVERSION KIT / KIT DE MODIFIC. / => 19999	2.882-493.0	1
59	WINKELTUELLE / ANGLE SOCKET / COUDE	5.443-481.0	1

"=> xxxxxx" = bis Werknummer / up to serial No. / jusqu' au No. de fabr. / "xxxxxx =>" = ab Werknummer / from serial No. / a partir du No. de fabr. /



7.0 BR TRIKE  
8.0 BD TRIKE

GRUPPE: 4.2 BEDIENELEMENTE II  
 GROUP: 4.2 OPERATING ELEMENT  
 GROUPE: 4.2 ELEMENT D'EMPLOI

# F4

# BR/BD TRIKE

POS. ITM. POS.	BENNENNUNG DESCRIPTION DESIGNATION	TEILE-NR. PART-NO. NO.PIECE	STCK QTY. NBR.	POS. ITM. POS.	BENNENNUNG DESCRIPTION DESIGNATION	TEILE-NR. PART-NO. NO.PIECE	STCK QTY. NBR.
1	ZIERKAPPE D10/D12 / ORNAMENTAL HUB CAP / ENJOLIVEUR DE ROUE	6.368-076.0	1	35	FL.RD.SCHR. M 6X 16 / SAUCER-HEAD SCREW / BOULON A TETE BOMBEE	7.303-187.0	1
2	BL.SCHR. ST3,5X25 / SHEET METAL SCREW / VIS A TOLE	7.303-065.0	1	36	SCHEIBE 6 / WASHER / RONDELLE	7.312-026.0	1
3	GRIFF / HANDLE / POIGNEE	5.321-509.0	1	37	WINKELTUELLE / ANGLE SOCKET / COUDE	5.443-481.0	2
4	KUPPLUNG / COUPLER / COUPLEUR	5.470-034.0	1	38	HALTER / BRACKET / FIXATION	5.044-333.0	1
5	DISTANZSTUECK / SPACER / BUTEE D'ESPACEMENT	5.110-823.0	1	39	KUGELHAHN / BALL VALVE / ROBINET SPHERIQUE	6.413-099.0	1
6	KUPPLUNG / COUPLER / COUPLEUR	5.470-033.0	1	40	BLECHTEIL / PLATE / TOLE	5.049-217.0	1
7	HEBEL KPL. / LEVER / LEVIER	4.481-149.0	1	41	ZUGFEDER / EXTENSION SPRING / RESSORT DE TRACTION	6.330-093.0	1
8	HEBEL KPL. / LEVER / LEVIER	4.481-140.0	1		<b>/ =&gt; 19999</b>		
8	HEBEL KPL. / LEVER / LEVIER	4.481-145.0	1	42	BOLZEN / BOLT / BOULON	5.316-785.0	1
	<b>/ 1.161-101.0 / -103.0 / -201.0 / -203.0 / -209.0 / -211.0</b>				<b>/ 1.161-202.0 / -204.0 / -210.0</b>		
9	SPLINT 3,2X 20 / COTTER / GOUPILLE FENDUE	7.316-342.0	1	44	S-SCHEIBE 6 / LOCK WASHER / RONDELLE D'ARRET	7.343-204.0	1
	<b>/ 1.161-201.0 / -203.0 / -209.0 / -211.0</b>				<b>/ 1.161-202.0 / -204.0 / -210.0</b>		
10	SCHEIBE 11 / WASHER / RONDELLE	7.312-158.0	3				
11	BLECHTEIL / PLATE / TOLE	5.048-499.0	1				
12	6KT-MUTTER M 8 / HEXAGON NUT / ECROU HEXAGONAL	7.311-068.0	8				
13	BOLZEN B 10,0X 28 / BOLT / BOULON	7.316-223.0	1				
	<b>/ 1.161-102.0 / -104.0 / -202.0 / -204.0 / -210.0 / -212.0</b>						
14	ZYL.SCHR. M 8X 20 / CHEESE HEAD SCREW / VIS A TETE CYLINDR.	7.306-144.0	1				
15	SCHEIBE 8 / WASHER / RONDELLE	7.312-017.0	6				
16	SCHRAUBE M 6X 55 / SCREW / VIS	7.306-034.0	1				
17	HUELSE / SLEEVE / DOUILLE	5.110-766.0	1				
18	6KT-MUTTER M 6 / HEXAGON NUT / ECROU HEXAGONAL	7.311-067.0	1				
24	6KT-SCHR. M10X 80 / HEXAGONAL HEAD SCREW / VIS HEXAGONAL	7.304-249.0	1				
25	SCHEIBE 10 / WASHER / RONDELLE	7.312-066.0	2				
26	HEBEL / LEVER / LEVIER	5.481-247.0	1				
	<b>/ 1.161-101.0 / -103.0 / -201.0 / -203.0 / -209.0 / -211.0</b>						
27	FL.RD.SCHR. M 8X 50 / SAUCER-HEAD SCREW / BOULON A TETE BOMBEE	7.303-009.0	1				
28	6KT-MUTTER M10 / HEXAGON NUT / ECROU HEXAGONAL	7.311-441.0	2				
29	AUGENSCHR LBM 8X 30 / SCREW / BOULON	7.303-262.0	1				
34	RAHMEN / FRAME / CADRE	4.050-415.0	1				
	<b>/ =&gt; 19999</b>						
34	RAHMEN / FRAME / CADRE	4.050-535.0	1				
	<b>20000 =&gt;</b>						

"=> xxxxxx" = bis Werknummer / up to serial No. / jusqu' au No. de fabr. / "xxxxxx =>" = ab Werknummer / from serial No. / a partir du No. de fabr. /



GRUPPE: 5.0 SAUGBALKEN  
GROUP: 5.0 SUCTION PART  
GRUPPE: 5.0 INSTAL. D'ASPIRATION

**A5**

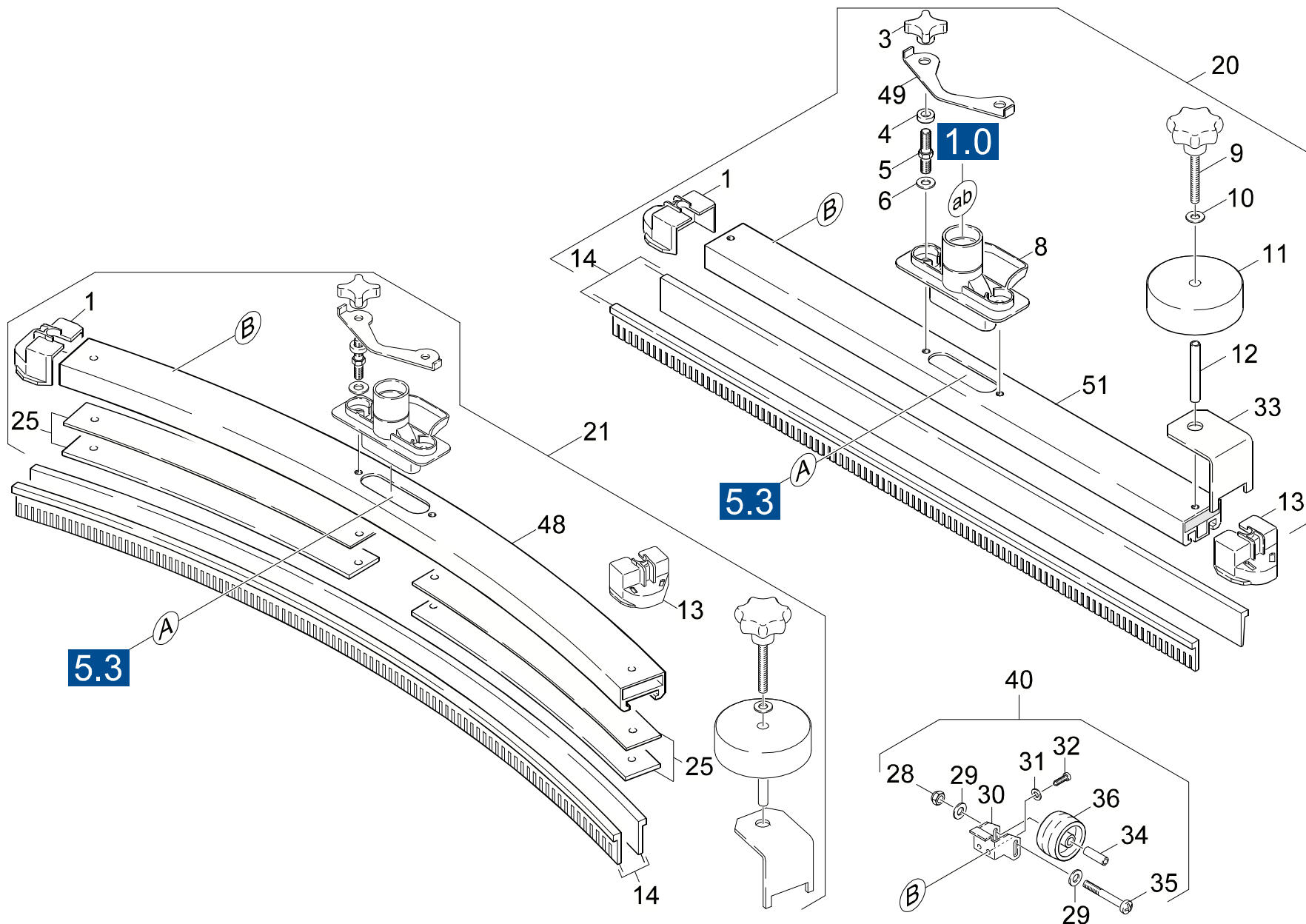
**BR/BD TRIKE**

**GRUPPE: 5.0 SAUGBALKEN**  
**GROUP: 5.0 SUCTION PART**  
**GRUPPE: 5.0 INSTAL. D'ASPIRATION**

GRUPPE: 5.1 SAUGBALKEN ALT  
GROUP: 5.1 SUCTION PART  
GROUPE: 5.1 INSTAL. D'ASPIRATION

B5

BR/BD TRIKE



Symbolbeschreibung siehe M16 / symbol description see M16 / désignation de système voir M16 /

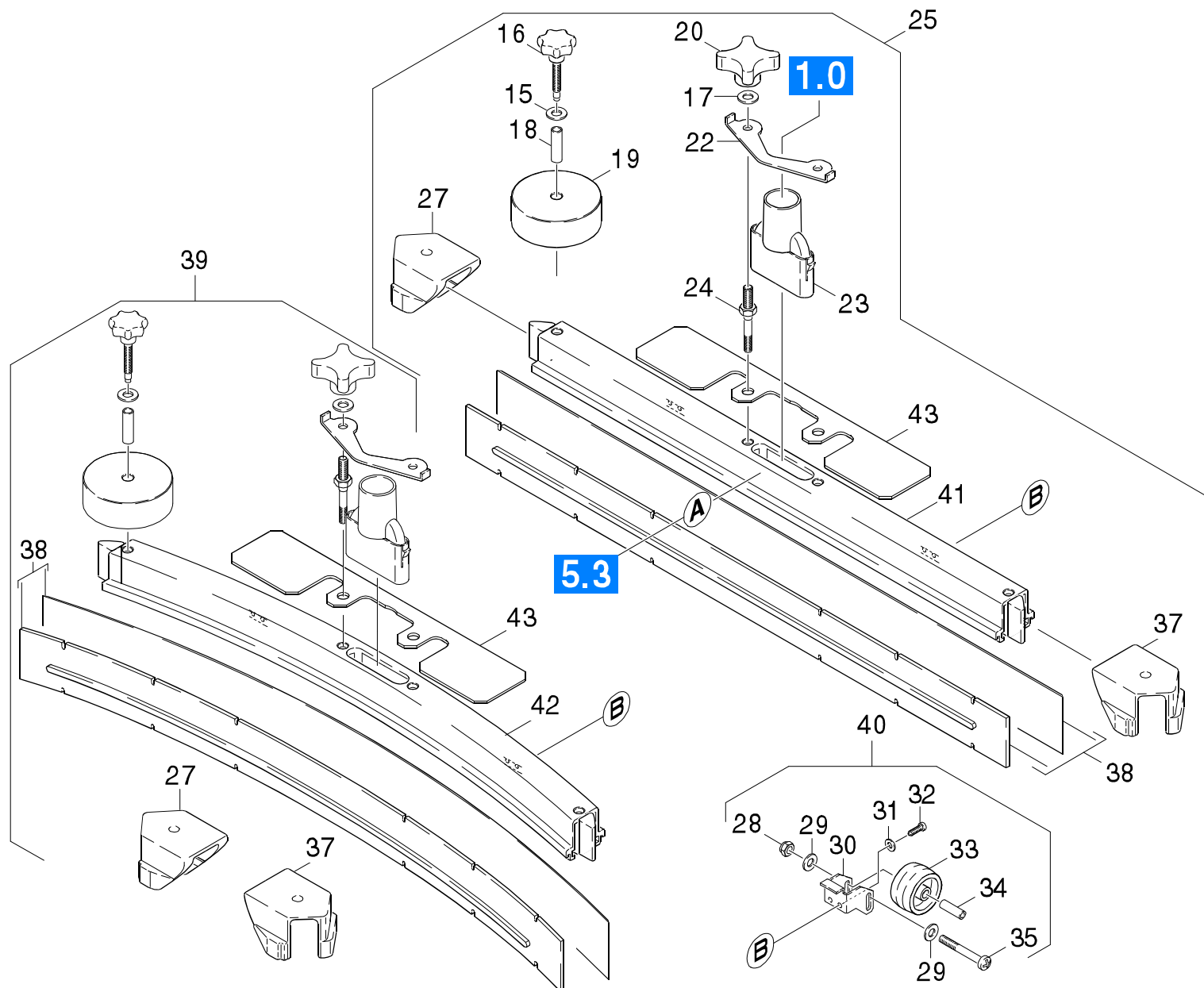
GRUPPE: 5.1 SAUGBALKEN ALT  
GROUP: 5.1 SUCTION PART  
GROUPE: 5.1 INSTAL. D'ASPIRATION

C5

BR/BD TRIKE

POS. ITM. POS.	BENNENUNG DESCRIPTION DESIGNATION	TEILE-NR. PART-NO. NO.PIECE	STCK QTY. NBR.
1	ENDSTUECK RECHTS / TAIL PIECE / TRONCON	5.031-482.0	2
3	KREUZGRIFF / STAR HANDLE / POIGNEE EN ETOILE	6.321-133.0	2
4	SCHEIBE A 11 / WASHER / RONDELLE	7.312-080.0	2
5	GEWINDEBOLZEN / PIN / BOULON TARAUDE	5.308-057.0	2
6	SCHEIBE 8 / WASHER / RONDELLE	7.312-277.0	2
8	SAUGSTUTZEN / CONNECTING PIECE / TUBULURE D'ASPIRATION	5.031-464.0	1
9	STERNGRIFF M8X60 / CONTROL KNOB / POIGNEE-ETOILE	6.321-147.0	2
10	SCHEIBE 8 / WASHER / RONDELLE	7.312-004.0	2
11	ROLLE / ROLLER / ROULETTE	5.515-096.0	2
12	ROHR / PIPE / TUYAU	5.029-469.0	2
13	ENDSTUECK LINKS / TAIL PIECE / TRONCON	5.031-465.0	1
14	GUMMILIPPE (SATZ) / RUBBER LIP / LEVRE CAOUTCHOUC	6.273-179.0	1
14	GUMMILIPPE (SATZ) / RUBBER LIP / LEVRE CAOUTCHOUC	6.273-180.0	1
20	SAUGBALKEN GERADE / SUCTION PART / INSTAL. D'ASPIRATION	4.777-034.0	1
21	SAUGBALKEN GEBOGEN / SUCTION PART / INSTAL. D'ASPIRATION	4.777-035.0	1
25	EINLEGETEIL / INSERT / PIECE D'INSERTION	5.401-249.0	1
28	6KT-MUTTER M 6 / HEXAGON NUT / ECROU HEXAGONAL	7.311-422.0	2
29	SCHEIBE 6 / WASHER / RONDELLE	7.312-026.0	4
30	HALTER LAUFROLLE / BRACKET / FIXATION	5.044-304.0	2
31	SCHEIBE 5 / WASHER / RONDELLE	7.312-058.0	2
32	SCHRAUBE M 5X 10 / SCREW / VIS	7.303-037.0	2
33	WINKEL / ANGLE / ANGLE	5.017-136.0	2
34	ACHSE / AXLE / ESSIEU	5.105-245.0	2
35	SCHRAUBE M 6X 50 / SCREW / VIS	7.306-199.0	1
36	RAD D.50 / WHEEL / ROUE	6.435-401.0	2
40	ABS ABSTUETZRAEDER / ADD-ON KIT / KIT PORTEE	2.639-561.0	1
48	PROFIL SAUGBALKEN / PROFILE / PROFILE	5.031-622.0	1
49	BLECH / PLATE / TOLE	5.007-217.0	1
51	PROFIL SAUGBALKEN / PROFILE / PROFILE	5.031-621.0	1

"=> xxxxxx" = bis Werknummer / up to serial No. / jusqu' au No. de fabr. / "xxxxxx =>" = ab Werknummer / from serial No. / a partir du No. de fabr. /



Symbolbeschreibung siehe M16 / symbol description see M16 / désignation de système voir M16 /

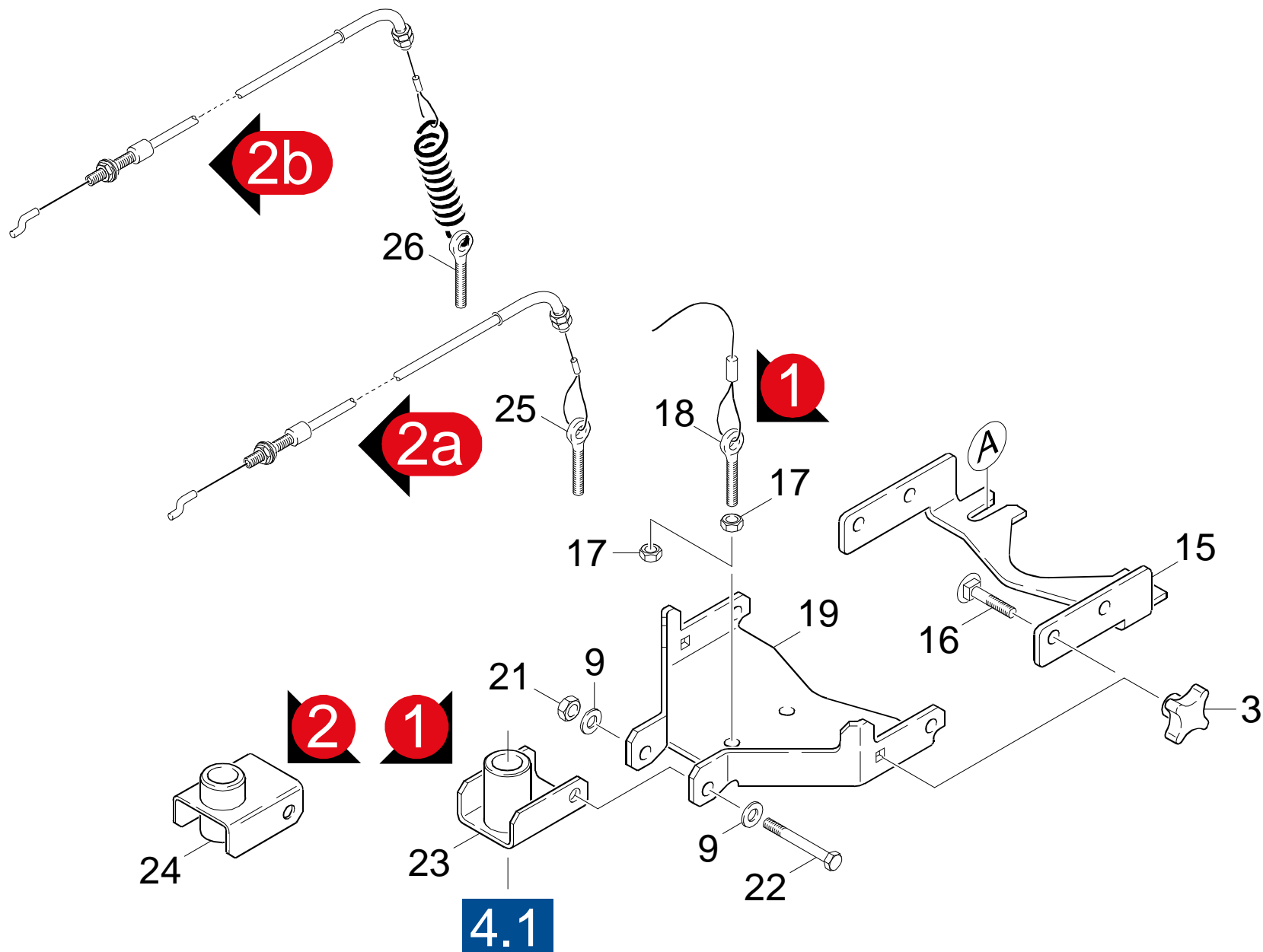
GRUPPE: 5.2 SAUGBALKEN NEU  
 GROUP: 5.2 SUCTION PART  
 GROUPE: 5.2 INSTAL. D'ASPIRATION

**E5**

**BR/BD TRIKE**

POS. ITM. POS.	BENNENNUNG DESCRIPTION DESIGNATION	TEILE-NR. PART-NO. NO.PIECE	STCK QTY. NBR.
15	SCHEIBE 8 / WASHER / RONDELLE	7.312-004.0	2
16	STERNGRIF M8X60 / CONTROL KNOB / POIGNEE-ETOILE	6.321-147.0	2
18	ROHR / PIPE / TUYAU	5.094-050.0	2
19	ROLLE / ROLLER / ROULETTE	5.515-096.0	2
20	KREUZGRIF / STAR HANDLE / POIGNEE EN ETOILE	6.321-133.0	2
22	BLECH / PLATE / TOLE	5.007-217.0	1
23	SAUGSTUTZEN / CONNECTING PIECE / TUBULURE D'ASPIRATION	5.031-989.0	1
24	GEWINDEBOLZEN / PIN / BOULON TARAUDE	5.308-064.0	1
25	SAUGBALKEN GERADE / SUCTION PART / INSTAL. D'ASPIRATION	4.777-049.0	1
26	ENDSTUECK / TAIL PIECE / TRONCON	5.031-993.0	1
27	ENDSTUECK RECHTS / TAIL PIECE / TRONCON	5.031-991.0	1
28	6KT-MUTTER M 6 / HEXAGON NUT / ECROU HEXAGONAL	7.311-422.0	1
29	SCHEIBE 6 / WASHER / RONDELLE	7.312-026.0	2
30	HALTER LAUFROLLE / BRACKET / FIXATION	5.044-304.0	2
31	SCHEIBE 5 / WASHER / RONDELLE	7.312-058.0	2
32	SCHRAUBE M 5X 10 / SCREW / VIS	7.303-037.0	2
33	RAD D.50 / WHEEL / ROUE	6.435-401.0	2
34	ACHSE / AXLE / ESSIEU	5.105-245.0	1
35	SCHRAUBE M 6X 50 / SCREW / VIS	7.306-199.0	1
36	ENDSTUECK / TAIL PIECE / TRONCON	5.031-992.0	1
37	ENDSTUECK LINKS / TAIL PIECE / TRONCON	5.031-990.0	1
38	GUMMILIPPENSET / RUBBER LIP SET / LEVRES CAOUTCHOUC	6.273-205.0	1
	<b>STANDARD/STANDARD/STANDARD</b>		
38	GUMMILIPPENSET / RUBBER LIP SET / LEVRES CAOUTCHOUC	6.273-208.0	1
	<b>OELFEST/OIL RESISTANT/RESISTANT # L'HUILE</b>		
38	GUMMILIPPENSET / RUBBER LIP SET / LEVRES CAOUTCHOUC	6.273-214.0	1
39	SAUGBALKEN GEBOGEN / SUCTION PART / INSTAL. D'ASPIRATION	4.777-055.0	1
40	ABS ABSTUETZRAEDER / ADD-ON KIT / KIT PORTEE	2.639-561.0	1
41	PROFIL SAUGBALKEN / PROFILE / PROFILE	5.128-235.0	1
42	PROFIL SAUGBALKEN / PROFILE / PROFILE	5.128-239.0	1
43	ZUSATZGEWICHT SAUGB / SUPPLEMENTARY WEIGHT / POIDS SUPPLEMENTAIRE	5.128-339.0	1

"=> xxxxxx" = bis Werknummer / up to serial No. / jusqu' au No. de fabr. / "xxxxxx =>" = ab Werknummer / from serial No. / a partir du No. de fabr. /



Symbolbeschreibung siehe M16 / symbol description see M16 / désignation de système voir M16 /

GRUPPE: 5.3 HALTER SAUGBALKEN  
GROUP: 5.3 BRACKET  
GRUPPE: 5.3 FIXATION

G5

BR/BD TRIKE

POS. ITM. POS.	BENNENNUNG DESCRIPTION DESIGNATION	TEILE-NR. PART-NO. NO.PIECE	STCK QTY. NBR.
3	KREUZGRIFF K 32 / STAR HANDLE / POIGNEE EN ETOILE	7.321-011.0	2
9	SCHEIBE 8 / WASHER / RONDELLE	7.312-004.0	4
15	WIPPE SAUGBALKEN / ROCKER / BASCULE	5.048-234.0	1
16	FL.RD.SCHR. M 6X 16 / SAUCER-HEAD SCREW / BOULON A TETE BOMBEE	7.303-160.0	2
17	6KT-MUTTER M 8 / HEXAGON NUT / ECROU HEXAGONAL	7.311-068.0	2
18	SEIL / ROPE / CABLE	4.172-012.0	1
	<b>VERS 1</b>		
19	HALTER SAUGBALKEN / BRACKET / FIXATION	5.044-169.0	1
21	6KT-MUTTER M 8 / HEXAGON NUT / ECROU HEXAGONAL	7.311-427.0	1
22	ZYL.SCHR. M 8X 65 / CHEESE HEAD SCREW / VIS A TETE CYLINDR.	7.306-151.0	1
23	TRAEGER SAUGBALKEN / CARRIER / LONGERON	4.058-088.0	1
	<b>VERS 1</b>		
24	TRAEGER SAUGBALKEN / CARRIER / LONGERON	4.058-100.0	1
	<b>VERS 2</b>		
25	BOWDENZUG KPL. / BOWDEN WIRE / CABLE SOUS GAINÉ / 1.161-201.0 / -202.0 / -203.0 / -204.0 / -211.0 / -212.0	6.431-189.0	1
26	BOWDENZUG KPL. / BOWDEN WIRE / CABLE SOUS GAINÉ / 1.161-209.0 / -210.0	6.431-199.0	1

"=> xxxxxx" = bis Werknummer / up to serial No. / jusqu' au No. de fabr. / "xxxxxx =>" = ab Werknummer / from serial No. / a partir du No. de fabr. /

GRUPPE: 6.0 STEUERUNGSELEKTRON.  
GROUP: 6.0 CONTROL ELECTRONICS  
GRUPPE: 6.0 ELECTRON.(COMMANDE)

**A6**

**BR/BD TRIKE**

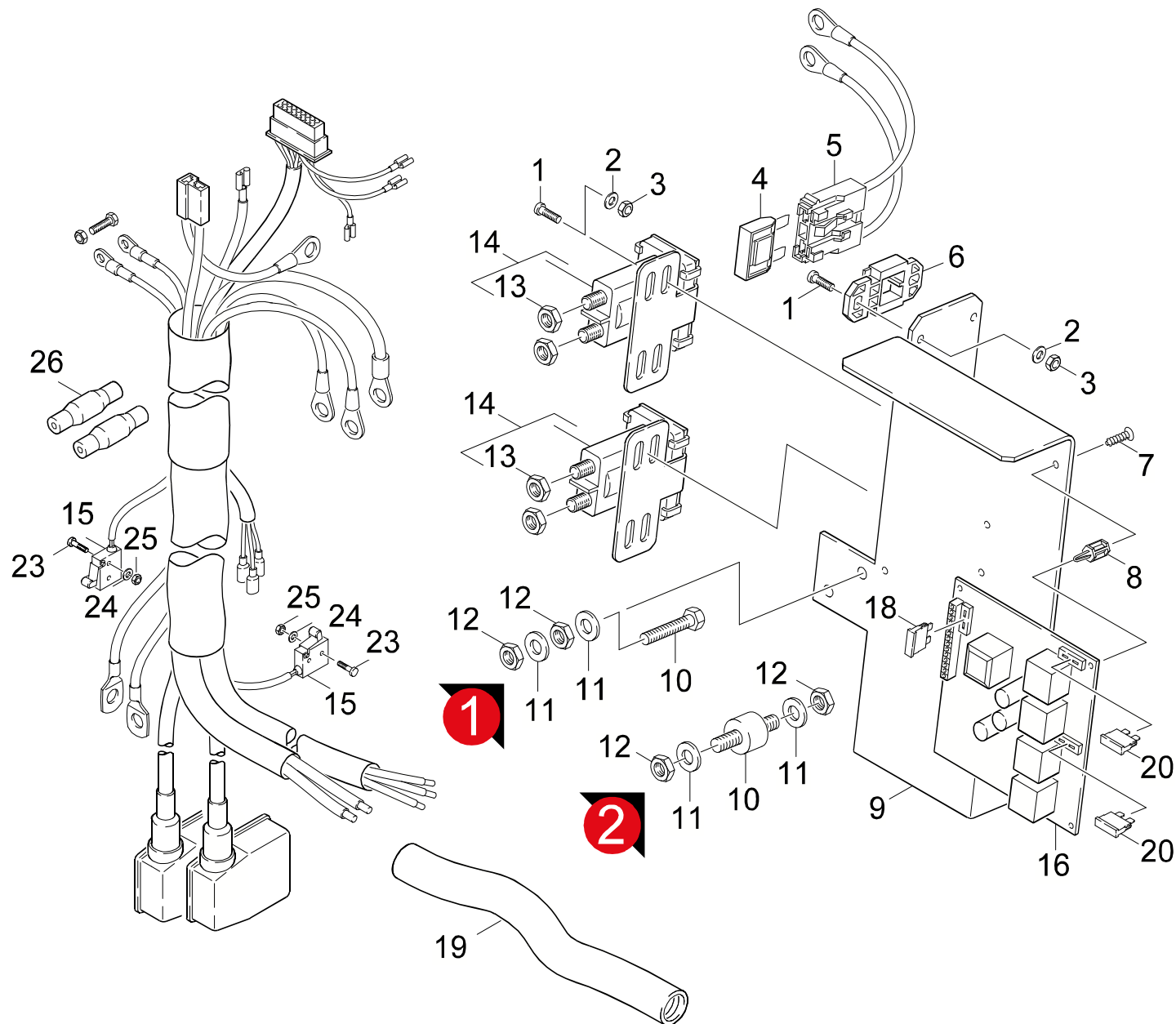
**GRUPPE: 6.0 STEUERUNGSELEKTRON.  
GROUP: 6.0 CONTROL ELECTRONICS  
GRUPPE: 6.0 ELECTRON.(COMMANDE)**



GRUPPE: 6.1 STEUERUNGSELEKTRON. / VERSION 1 + 2 /  
 GROUP: 6.1 CONTROL ELECTRONICS / VERSION 1 + 2 /  
 GROUPE: 6.1 ELECTRON.(COMMANDE) / VERSION 1 + 2 /

# B6

# BR/BD TRIKE



Symbolbeschreibung siehe M16 / symbol description see M16 / désignation de système voir M16 /

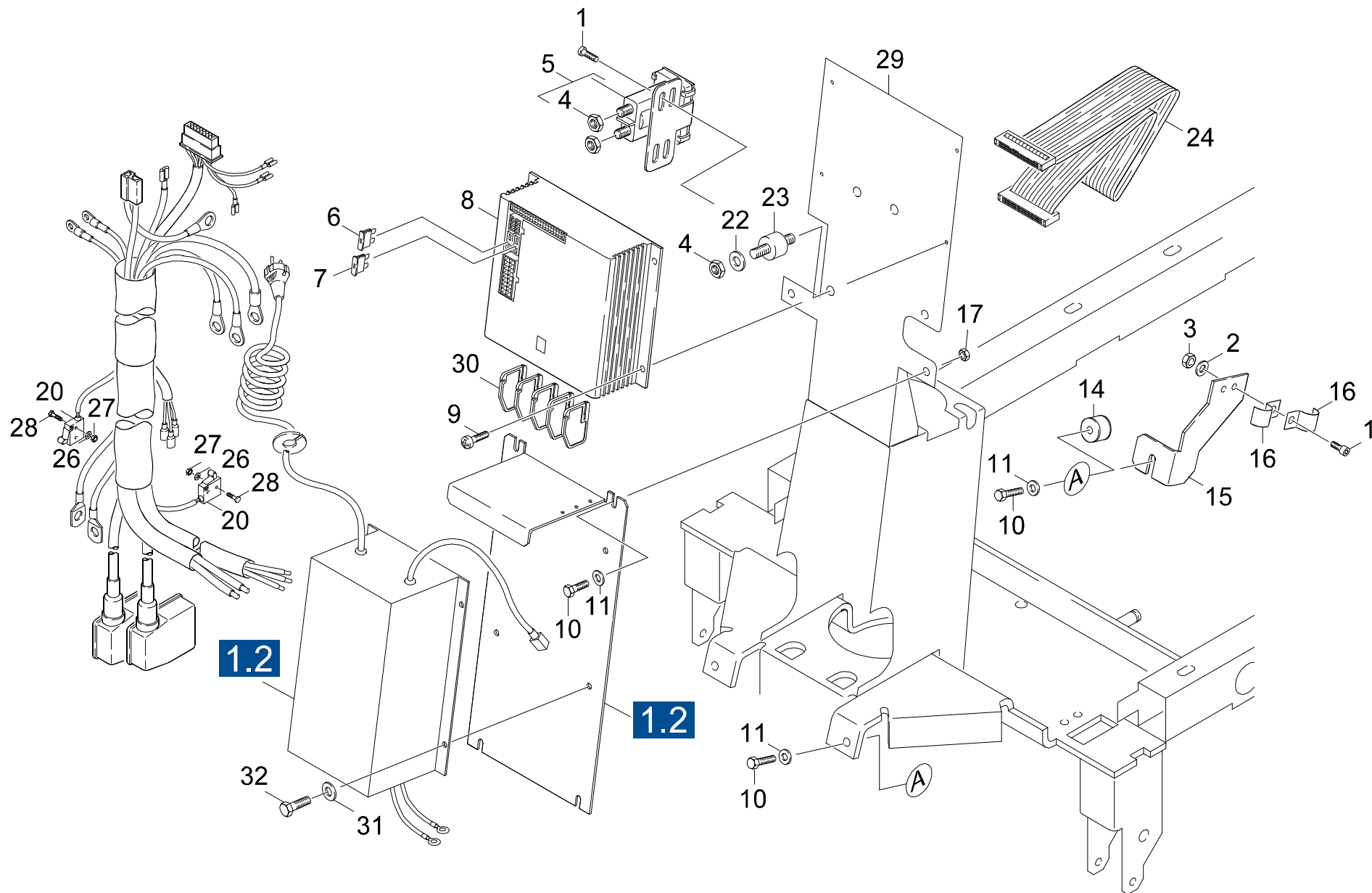
GRUPPE: 6.1 STEUERUNGSELEKTRON. / VERSION 1 + 2 /  
 GROUP: 6.1 CONTROL ELECTRONICS / VERSION 1 + 2 /  
 GROUPE: 6.1 ELECTRON.(COMMANDE) / VERSION 1 + 2 /

**C6**

**BR/BD TRIKE**

POS. ITM. POS.	BENNENUNG DESCRIPTION DESIGNATION	TEILE-NR. PART-NO. NO.PIECE	STCK QTY. NBR.
1	SCHRAUBE M 4X 12 / SCREW / VIS	7.306-058.0	5
2	SCHEIBE 4 / WASHER / RONDELLE	7.312-001.0	8
3	6KT-MUTTER M 4 / HEXAGON NUT / ECROU HEXAGONAL	7.311-001.0	5
4	FLACHSICHERUNG 70A / FUSE / FUSIBLE DE SECURITE	6.644-307.0	1
5	SICHERUNGSHALTER / RETAINER / PORTE-FUSIBLE	6.644-275.0	1
6	ANBAUPLATTE / PLATE / PLAQUE	6.644-276.0	1
7	SCHRAUBE M 3X 8 / SCREW / VIS	7.306-053.0	4
8	ABSTANDSHALTER M3 / SPACER / PINECE INT.	6.316-015.0	4
9	BLECHTEIL KOMPLETT / PLATE / TOLE	4.038-736.0	1
10	ISOLATOR / INSULATOR / ISOLATEUR	6.652-033.0	2
	<b>VERS 2</b>		
10	SCHRAUBE M 5X 8 / SCREW / VIS	7.306-179.0	2
	<b>VERS 1</b>		
11	SCHEIBE 5 / WASHER / RONDELLE	7.312-052.0	4
12	6KT-MUTTER M5 / HEXAGON NUT / ECROU HEXAGONAL	7.311-021.0	4
13	6KT-MUTTER M 8 / HEXAGON NUT / ECROU HEXAGONAL	7.311-041.0	4
14	LEISTUNGSRELAIS / POWER RELAY / RELAIS DE PUISSANCE	6.633-389.0	2
15	MIKROSCHALTER / MICRO SWITCH / MICRORUPTEUR	6.630-104.0	2
16	STEUERPLATINE / CONTROL MODULE / PLATINE	6.682-468.0	1
	<b>/ =&gt; 19999</b>		
16	STEUERPLATINE / CONTROL MODULE / PLATINE	6.682-550.0	1
	<b>20000 =&gt;</b>		
18	SICHERUNGSEINS C3 / FUSE INSERT / CARTOUCHE FUSIBLE	7.644-006.0	1
19	SCHLAUCH / HOSE / TUYAU FLEXIBLE	6.390-552.0	1
20	SICHERUNGSEINS C 40 / FUSE INSERT / CARTOUCHE FUSIBLE	7.644-024.0	2
21	ERSATZTEILSET / SPARE PARTS KIT / KIT DE PIECES	2.883-873.0	1
22	POTENTIOMETER / POTENTIOMETER / POTENTIOMETRE	6.652-031.0	1
	<b>/ =&gt; 19999</b>		
23	SCHRAUBE M 2X 20 / SCREW / VIS	7.306-045.0	4
24	SCHEIBE 2,5 / WASHER / RONDELLE	7.312-053.0	4
25	6KT-MUTTER M 2 / HEXAGON NUT / ECROU HEXAGONAL	7.311-074.0	4
26	SERIENVERBINDER 1,5 / CONNECTOR / CONNECTEUR	6.641-210.0	2

"=> xxxxxx" = bis Werknummer / up to serial No. / jusqu' au No. de fabr. / "xxxxxx =>" = ab Werknummer / from serial No. / a partir du No. de fabr. /



Symbolbeschreibung siehe M16 / symbol description see M16 / désignation de système voir M16 /

GRUPPE: 6.2 STEUERUNGSELEKTRON. / VERSION 3 /  
 GROUP: 6.2 CONTROL ELECTRONICS / VERSION 3 /  
 GROUPE: 6.2 ELECTRON.(COMMANDE) / VERSION 3 /

**E6**

**BR/BD TRIKE**

POS. ITM. POS.	BENNENUNG DESCRIPTION DESIGNATION	TEILE-NR. PART-NO. NO.PIECE	STCK QTY. NBR.
1	SCHRAUBE M 4X 12 / SCREW / VIS	7.306-058.0	4
2	SCHEIBE 4 / WASHER / RONDELLE	7.312-001.0	2
3	6KT-MUTTER M 4 / HEXAGON NUT / ECROU HEXAGONAL	7.311-001.0	2
4	6KT-MUTTER M 8 / HEXAGON NUT / ECROU HEXAGONAL	7.311-041.0	2
5	LEISTUNGSRELAIS / POWER RELAY / RELAIS DE PUISSANCE	6.633-389.0	1
6	SICHERUNGSEINS C3 / FUSE INSERT / CARTOUCHE FUSIBLE	7.644-006.0	1
7	SICHERUNGSEINS C7,5 / FUSE INSERT / CARTOUCHE FUSIBLE	7.644-007.0	1
8	STEUERPLATINE / CONTROL MODULE / PLATINE / 1.161-201.0 / -202.0 / -203.0 / -204.0 / -209.0 / -210.0 / -211.0 / -212.0	6.682-652.0	1
9	SCHRAUBE M 3X 16 / SCREW / VIS	7.306-054.0	4
10	SCHRAUBE M 6X 20 / SCREW / VIS	7.306-092.0	4
11	SCHEIBE 6 / WASHER / RONDELLE	7.312-276.0	4
12	6KT-MUTTER M 6 / HEXAGON NUT / ECROU HEXAGONAL	7.311-067.0	2
14	GUMMIPUFFER 2XM6 / RUBBER BUFFER / BUTOIR CAOUTCHOUC	6.339-021.0	5
15	BLECHTEIL / PLATE / TOLE / 1.161-203.0 / -204.0 / -211.0 / -212.0	5.049-742.0	1
16	KABELSCHELLE / CABLE CLIP / COLLIER DE CABLE	6.648-077.0	1
17	6KT-MUTTER M 6 / HEXAGON NUT / ECROU HEXAGONAL	7.311-003.0	2
20	MIKROSCHALTER / MICRO SWITCH / MICRORUPTEUR	6.630-104.0	2
22	SCHEIBE 5 / WASHER / RONDELLE	7.312-052.0	2
23	ISOLATOR / INSULATOR / ISOLATEUR	6.652-033.0	1
24	FLACHBANDKABEL 40P / RIBBON CABLE / CABLE	6.768-353.0	1
26	SCHEIBE 2,5 / WASHER / RONDELLE	7.312-053.0	4
27	6KT-MUTTER M 2 / HEXAGON NUT / ECROU HEXAGONAL	7.311-074.0	4
28	SCHRAUBE M 2X 20 / SCREW / VIS	7.306-045.0	4
29	BLECHTEIL / PLATE / TOLE	5.058-123.0	1
30	FORMTEIL / MOULDED PART / PREFORME	5.032-405.0	5
31	SCHEIBE 5 / WASHER / RONDELLE	7.312-002.0	4
32	SCHRAUBE M 5X 12 / SCREW / VIS	7.306-076.0	4

"=> xxxxxx" = bis Werknummer / up to serial No. / jusqu' au No. de fabr. / "xxxxxx =>" = ab Werknummer / from serial No. / a partir du No. de fabr. /

GRUPPE: 7.0 BODENKOPF-BR TRIKE  
GROUP: 7.0 POWER BRUSH -BR  
GRUPPE: 7.0 BROSSE -BR

**A7**

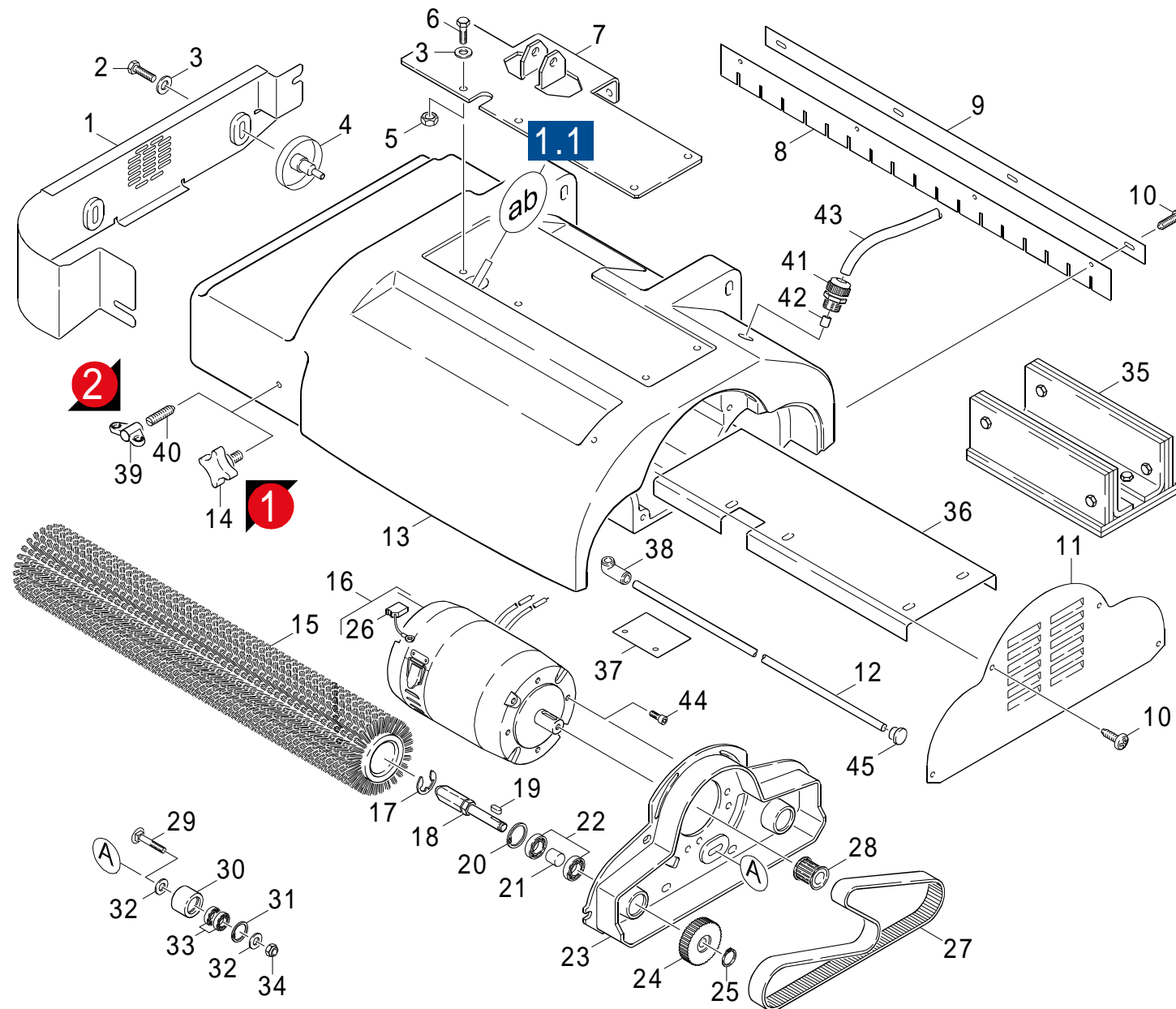
**BR/BD TRIKE**

**GRUPPE: 7.0 BODENKOPF-BR TRIKE**  
**GROUP: 7.0 POWER BRUSH -BR**  
**GRUPPE: 7.0 BROSSE -BR**

GRUPPE: 7.0 BODENKOPF-BR TRIKE  
GROUP: 7.0 POWER BRUSH -BR  
GRUPPE: 7.0 BROSSE -BR

**B7**

**BR/BD TRIKE**



Symbolbeschreibung siehe M16 / symbol description see M16 / désignation de système voir M16 /

GRUPPE: 7.0 BODENKOPF-BR TRIKE  
 GROUP: 7.0 POWER BRUSH -BR  
 GROUPE: 7.0 BROSSE -BR

**C7**

**BR/BD TRIKE**

POS. ITM. POS.	BENNENNUNG DESCRIPTION DESIGNATION	TEILE-NR. PART-NO. NO.PIECE	STCK QTY. NBR.	POS. ITM. POS.	BENNENNUNG DESCRIPTION DESIGNATION	TEILE-NR. PART-NO. NO.PIECE	STCK QTY. NBR.
1	GEGENHALTER / COUNTER HOLDER / LUNETTE (CONTRE-BUT.)	5.044-156.0	1	22	KUGELLAGER 6201-2RS / BALL BEARING / ROULEMENT A BILLE	7.401-169.0	6
2	ZYL.SCHR. M 8X 16 / CHEESE HEAD SCREW / VIS A TETE CYLINDR.	7.306-040.0	2	23	HALTEPLATTE ANTRIEB / PLATE / PLAQUE	5.044-147.0	1
3	SCHEIBE 8 / WASHER / RONDELLE	7.312-017.0	10	24	ZAHNRIEMENSCHLEIBE / PULLEY / RONDELLE	5.625-334.0	2
4	BLECHTEIL / PLATE / TOLE	4.038-678.0	2	25	S-RING 28X1,2 / SPRING CLIP / CIRCLIP	7.343-151.0	1
5	6KT-MUTTER M 8 / HEXAGON NUT / ECROU HEXAGONAL	7.311-068.0	6	26	KOHLEBUERSTENSATZ / CARBON BRUSH SET / CHARBONS	6.610-237.0	1
6	ZYL.SCHR. M 8X 20 / CHEESE HEAD SCREW / VIS A TETE CYLINDR.	7.306-144.0	6		<b>FA.ATAS</b> <b>/ 6.613-060.0</b>		
7	BLECH / PLATE / TOLE	5.001-857.0	1	26	KOHLEBUERSTENSATZ / CARBON BRUSH SET / CHARBONS	6.610-238.0	1
8	LEISTE / STRIP / BAGUETTE	5.190-098.0	1		<b>FA.AMER</b> <b>/ 6.613-060.0</b>		
8	LEISTE / STRIP / BAGUETTE	5.190-224.0	1	27	ZAHNRIEMEN / TOOTHED BELT / COURROIE DENTEE	6.348-377.0	1
	<b>OELFEST/OIL RESISTANT/RESISTANT # L'HUILE</b>			28	ZAHNRIEMENSCHLEIBE / PULLEY / RONDELLE	5.625-333.0	1
9	BLECH / PLATE / TOLE	5.006-029.0	1	29	FL.RD.SCHR. M 8X 40 / SAUCER-HEAD SCREW / BOULON A TETE BOMBEE	7.303-186.0	1
10	SCHRAUBE 5 X 16 / SCREW / VIS	7.303-104.0	8	30	LAUFROLLE / ROLLER / GALET DE ROULEMENT	5.401-227.0	1
11	ABDECKPLATTE / COVER PLATE / PLAQUE RECOUVREMENT	5.006-023.0	1	31	S-RING 12X1 / SPRING CLIP / CIRCLIP	7.343-003.0	2
12	ROHR / PIPE / TUYAU	5.029-462.0	1	32	SCHEIBE 8 / WASHER / RONDELLE	7.312-289.0	2
13	BUERSTENGEHAUESE / BRUSH HOUSING / CARTER DE BROSSE	5.060-720.0	1	33	RILLENKUGELLAGER / BALL BEARING / ROULEMENT A BILLES	6.401-363.0	2
14	KREUZGRIFF M8X16 / STAR HANDLE / POIGNEE EN ETOILE	6.321-054.0	2	34	6KT-MUTTER M 8 / HEXAGON NUT / ECROU HEXAGONAL	7.311-427.0	1
	<b>VERS. 1</b>			35	ZUSATZGEWICHT / SUPPLEMENTARY WEIGHT / POIDS SUPPLEMENTAIRE	4.031-010.0	1
15	BUERSTENWALZE WEISS / ROLLER BRUSH / TAMBOUR DE BROSSE	5.762-130.0	2	36	BLECHTEIL / PLATE / TOLE	5.048-466.0	1
	<b>WEISS/WHITE/BLANC</b>			37	BLECH / PLATE / TOLE	5.007-288.0	1
15	BUERSTENWALZE SCHWA / ROLLER BRUSH / TAMBOUR DE BROSSE	5.762-131.0	2	38	GUMMITUELLE / RUBBER BUSHING / MANCHON CAOUTCHOUC	5.379-027.0	1
	<b>SCHWARZ/BLACK/NOIR</b>			39	FLUEGELMUTTER M 8 / WING NUT / ECROU A OREILLES	6.310-128.0	2
15	BUERSTENWALZE ROT / ROLLER BRUSH / TAMBOUR DE BROSSE	5.762-132.0	2	40	GEW.STIFT M 8X 30 / THREADED PIN / VIS SANS TETE	7.307-356.0	2
	<b>ROT/RED/ROUGE</b>			41	KABELVERSCHRAUBUNG / CABLE CONNECTOR / RACCORD DE CABLES	6.648-401.0	1
15	BUERSTENW. GRAU 0.6 / BUERSTENW. GRAU 0.6 / BUERSTENW. GRAU 0.6	5.762-133.0	2	42	MEHRFACHDICHTEINSA. / MEHRFACHDICHTEINSA. / MEHRFACHDICHTEINSA.	6.648-495.0	1
	<b>GRAU/GREY/GRIS</b>			43	ISOLIERSCHLAUCH 13 / INSULATING HOSE / TUYAU ISOLANT	6.642-014.0	1
16	MOTOR KPL. / MOTOR / MOTEUR	4.623-489.0	1	44	SCHRAUBE M 8X 16 / SCREW / VIS	7.306-218.0	1
17	S-SCHEIBE 15 / LOCK WASHER / RONDELLE D'ARRET	7.343-304.0	2	45	VERSCHLUSSTOPFEN / DRAIN PLUG / BOUCHON	6.368-068.0	1
18	ANTRIEBSWELLE / DRIVE SHAFT / ARBRE D'ENTRAINEMENT	5.100-170.0	2				
19	PASSFEDER 4X 4X 16 / SPRING / RESSORT D'ADJUSTAGE	7.318-007.0	1				
20	S-RING 32X 1,2 / SPRING CLIP / CIRCLIP	7.343-231.0	2				
21	HUELSE / SLEEVE / DOUILLE	5.110-569.0	1				

"=> xxxxxx" = bis Werknummer / up to serial No. / jusqu' au No. de fabr. / "xxxxxx =>" = ab Werknummer / from serial No. / a partir du No. de fabr. /

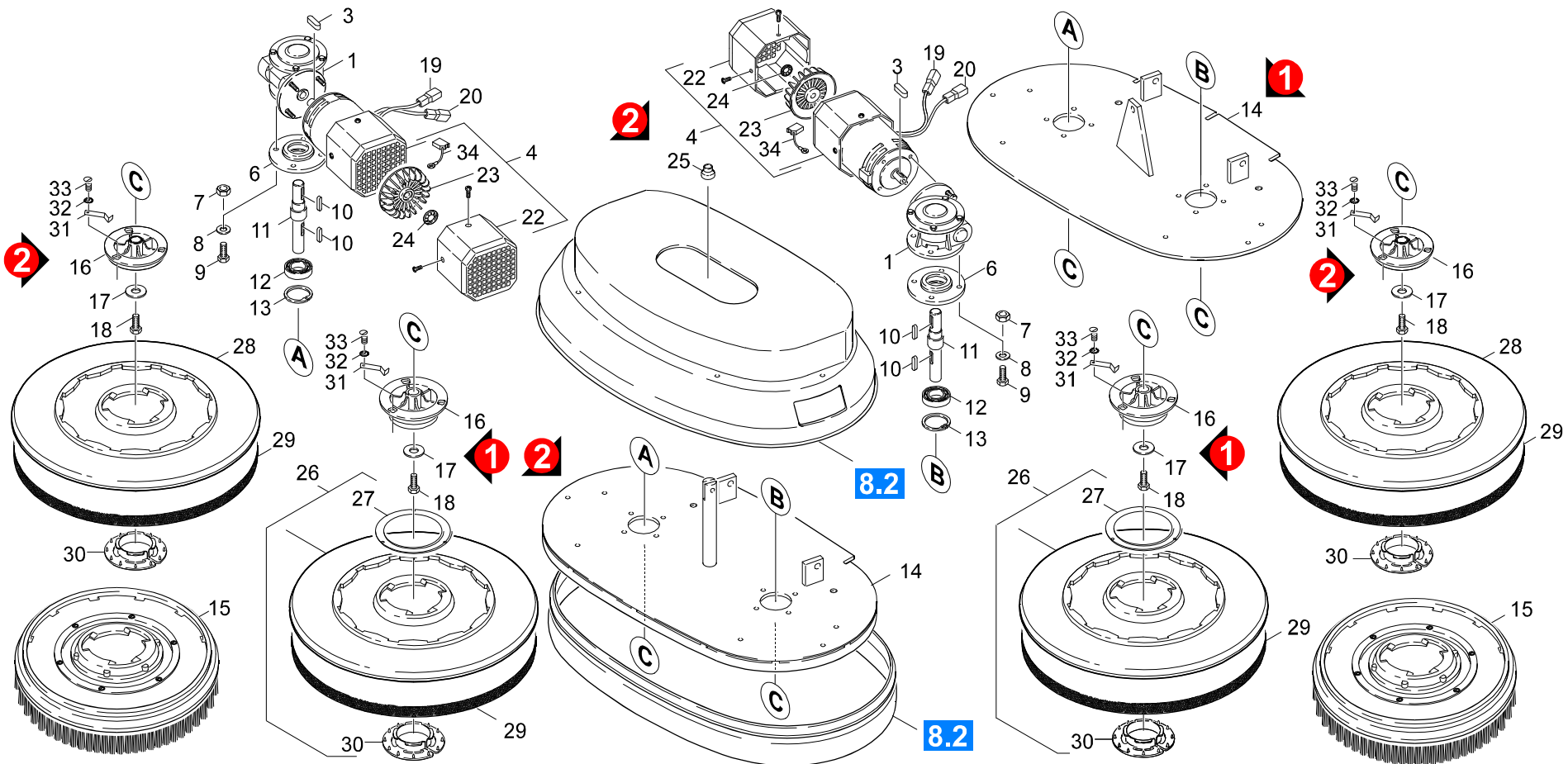
**GRUPPE: 8.0 BODENKOPF-BD TRIKE**  
**GROUP: 8.0 POWER BRUSH -BD**  
**GRUPPE: 8.0 BROSSE -BD**

**A8**

**BR/BD TRIKE**

**GRUPPE: 8.0 BODENKOPF-BD TRIKE**  
**GROUP: 8.0 POWER BRUSH -BD**  
**GRUPPE: 8.0 BROSSE -BD**





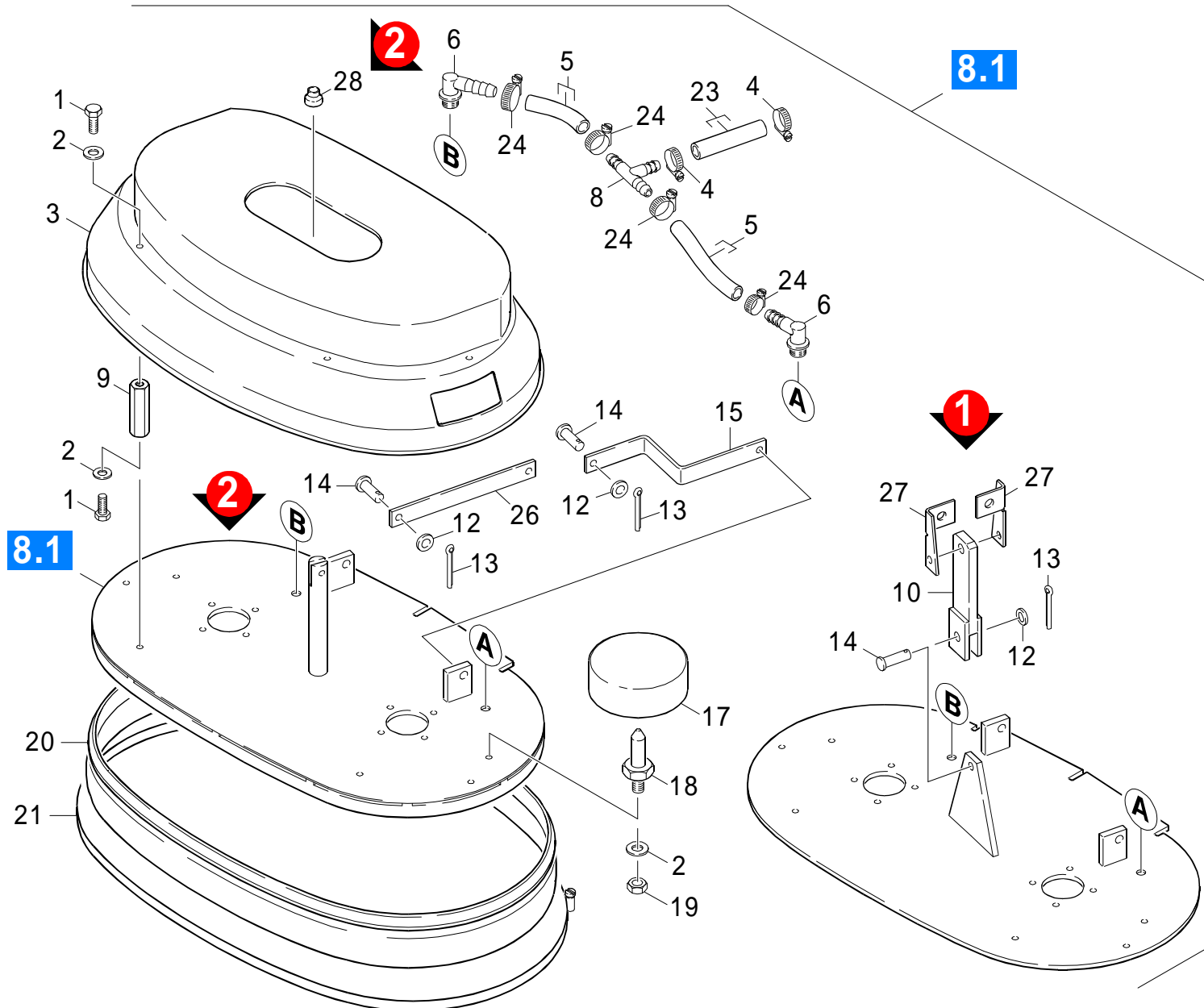
GRUPPE: 8.1 UNTERTEIL  
 GROUP: 8.1 BOTTOM  
 GROUPE: 8.1 PARTIE INFERIEURE

# C8

# BR/BD TRIKE

POS. ITM. POS.	BENNENNUNG DESCRIPTION DESIGNATION	TEILE-NR. PART-NO. NO.PIECE	STCK QTY. NBR.	POS. ITM. POS.	BENNENNUNG DESCRIPTION DESIGNATION	TEILE-NR. PART-NO. NO.PIECE	STCK QTY. NBR.
1	SCHNECKENGETRIEBE / WORM GEARING / ENGRENAGE A VIS	6.454-075.0	2	28	PAD-TREIBTELLER / DISK / DISQUE	6.906-333.0	1
3	PASSFEDER 5X 5X 20 / SPRING / RESSORT D'ADJUSTAGE	7.318-070.0	2	29	POLIERPAD SCHWARZ / POLISHING PAD / GARNITURE A POLIR	6.369-001.0	2
4	GLEICHSTROMMOTOR / DC MOTOR / MOTEUR C.C.	6.613-029.0	2	29	POLIERPAD GRUEN / POLISHING PAD / GARNITURE A POLIR	6.369-002.0	2
6	ZWISCHENFLANSCH / FLANGE / BRIDE	5.122-221.0	2	29	POLIERPAD ROT / POLISHING PAD / GARNITURE A POLIR	6.369-003.0	2
7	6KT-MUTTER M 8 / HEXAGON NUT / ECROU HEXAGONAL	7.311-004.0	8	30	CENTERLOCK / CENTERLOCK / CENTERLOCK	6.906-330.0	2
8	SCHEIBE 8 / WASHER / RONDELLE	7.312-004.0	8	31	BLATTFEDER / PLATE SPRING / RESSORT A LAMES	5.337-033.0	6
9	6KT-SCHR. M 8X 35 / HEXAGONAL HEAD SCREW / VIS HEXAGONAL	7.304-406.0	8	32	FAECHERSCHEI. A 5,3 / SERRATED LOCK WASHER / RONDELLE A EVENTAIL	7.312-041.0	6
10	PASSFEDER 6X 6X 25 / SPRING / RESSORT D'ADJUSTAGE	7.318-030.0	4	33	SCHRAUBE M 5X 6 / SCREW / VIS	7.306-213.0	6
11	WELLE / SHAFT / ARBRE	5.100-187.0	4	34	KOHLBUERSTENSATZ BR-BD 5 / CARBON BRUSH SET / CHARBONS	6.610-239.0	2
12	KUGELLAGER 6204-2RS / BALL BEARING / ROULEMENT A BILLE	7.401-173.0	2		<b>FA.ATAS</b>		
13	S-RING 47X 1,75 / SPRING CLIP / CIRCLIP	7.343-115.0	2		<b>/ 6.613-029.0</b>		
15	SCHEIBENBUERSTE / BRUSH / BROSSE <b>SCHWARZ/BLACK/NOIR</b>	6.958-233.0	2	100	KOHLBUERSTENSATZ / CARBON BRUSH SET / CHARBONS	6.610-102.0	2
15	SCHEIBENBUERSTE / BRUSH / BROSSE <b>WEISS/WHITE/BLANC</b>	6.958-234.0	2				
15	SCHEIBENBUERSTE / BRUSH / BROSSE <b>GRAU/GREY/GRIS</b>	6.958-235.0	2				
16	FLANSCH / FLANGE / BRIDE <b>VERS 1 + VERS 2</b>	5.122-293.0	2				
17	SCHEIBE 8 / WASHER / RONDELLE	7.312-268.0	2				
18	6KT-SCHR. M 8X 16 / HEXAGONAL HEAD SCREW / VIS HEXAGONAL	7.304-538.0	2				
19	STECKER ROT 75A / PLUG / FICHE	6.646-329.0	2				
20	STECKER BLAU 75A / PLUG / FICHE	6.646-330.0	2				
22	LUEFTERHAUBE / BLOWER COVER / CAPOT DE VENTILATEUR	6.613-032.0	2				
23	LUEFTERRAD / BLOWER WHEEL / ROUE DE VENTILATEUR	6.613-025.0	2				
24	SCHNELLBEFESTIGER / QUICK-FASTENER / ATTACHE RAPIDE	6.343-149.0	2				
25	ABDECKUNG / COVERING CAP / CHAPEAU <b>VERS. 2</b>	5.067-035.0	1				
26	PAD-TREIBTELLER / DISK / DISQUE <b>VERS. 1 / =&gt; 21401</b>	4.762-311.0	2				
27	RING PADTREIBTELLER / RING / BAGUE <b>VERS. 1 / =&gt; 21401</b>	5.114-497.0	1				

"=> xxxxxx" = bis Werknummer / up to serial No. / jusqu' au No. de fabr. / "xxxxxx =>" = ab Werknummer / from serial No. / a partir du No. de fabr. /



Symbolbeschreibung siehe M16 / symbol description see M16 / désignation de système voir M16 /

GRUPPE: 8.2 OBERTEIL  
GROUP: 8.2 TOP PART  
GROUPE: 8.2 PARTIE SUPERIEUR

E8

BR/BD TRIKE

POS. ITM. POS.	BENNENUNG DESCRIPTION DESIGNATION	TEILE-NR. PART-NO. NO.PIECE	STCK QTY. NBR.
1	6KT-SCHR. M 8X 16 / HEXAGONAL HEAD SCREW / VIS HEXAGONAL	7.304-395.0	8
2	SCHEIBE 8 / WASHER / RONDELLE	7.312-004.0	10
3	HAUBE DISC-KOPF / COVER / CAPOT	5.066-759.0	1
4	SCHLAUCHSCHELLE / HOSE BAND CLIP / COLLIER DE SERRAGE	6.388-546.0	2
5	SCHLAUCH DN 7 / HOSE / TUYAU FLEXIBLE <b>ALS METERWARE BESTELLEN/TO ORDER AS CUT GOODS/COMMANDE COMME MARCHANDISE AU METRE</b>	6.388-194.0	1
6	WINKELTUELLE 1/4" / ANGLE SOCKET / COUDE	6.388-423.0	2
8	T-REDUZIERSTUTZEN / REDUCING CONNECTION PIECE / COUDE RED.	6.389-874.0	1
9	BOLZEN / BOLT / BOULON	5.316-375.0	4
10	LASCHE / RETAINER CLIP / ECLISSE <b>VERS. 1</b>	5.004-697.0	2
12	SCHEIBE 10 / WASHER / RONDELLE	7.312-005.0	3
13	SPLINT 3,2X 20 / COTTER / GOUPILLE FENDUE	7.316-342.0	3
14	BOLZEN B 10,0X 28 / BOLT / BOULON	7.316-223.0	3
15	HEBEL / LEVER / LEVIER	5.481-263.0	1
17	ROLLE / ROLLER / ROULETTE	5.515-082.0	2
18	BOLZEN / BOLT / BOULON	5.316-376.0	2
19	6KT-MUTTER M 8 / HEXAGON NUT / ECROU HEXAGONAL	7.311-004.0	2
20	SPRITZSCHUTZPROFIL / SPLASH GUARD PROFILE / PROFILE PARE-EAU <b>/ 1.161-202.0 / -204.0 / -212.0</b>	5.394-380.0	1
20	SPRITZSCHUTZPROFIL / SPLASH GUARD PROFILE / PROFILE PARE-EAU <b>/ 1.161-210.0</b>	5.394-621.0	1
21	SCHLAUCHSCHELLE / HOSE BAND CLIP / COLLIER DE SERRAGE	6.389-876.0	1
23	SCHLAUCH DN12,5 / HOSE / TUYAU FLEXIBLE <b>ALS METERWARE BESTELLEN/TO ORDER AS CUT GOODS/COMMANDE COMME MARCHANDISE AU METRE</b>	6.388-248.0	1
24	SCHLAUCHSCHELLE / HOSE BAND CLIP / COLLIER DE SERRAGE	6.388-544.0	4
26	HEBEL / LEVER / LEVIER	5.481-262.0	1
27	BLECHTEIL / PLATE / TOLE <b>VERS. 1</b>	5.048-616.0	2
28	ABDECKUNG / COVERING CAP / CHAPEAU <b>VERS. 2</b>	5.067-035.0	1

"=> xxxxxx" = bis Werknummer / up to serial No. / jusqu' au No. de fabr. / "xxxxxx =>" = ab Werknummer / from serial No. / a partir du No. de fabr. /

**GRUPPE: 9.0 ZUBEHOER PAD-WALZE**  
**GROUP: 9.0 ACCESSORIES**  
**GRUPPE: 9.0 ACCESSOIRES**

**A9**

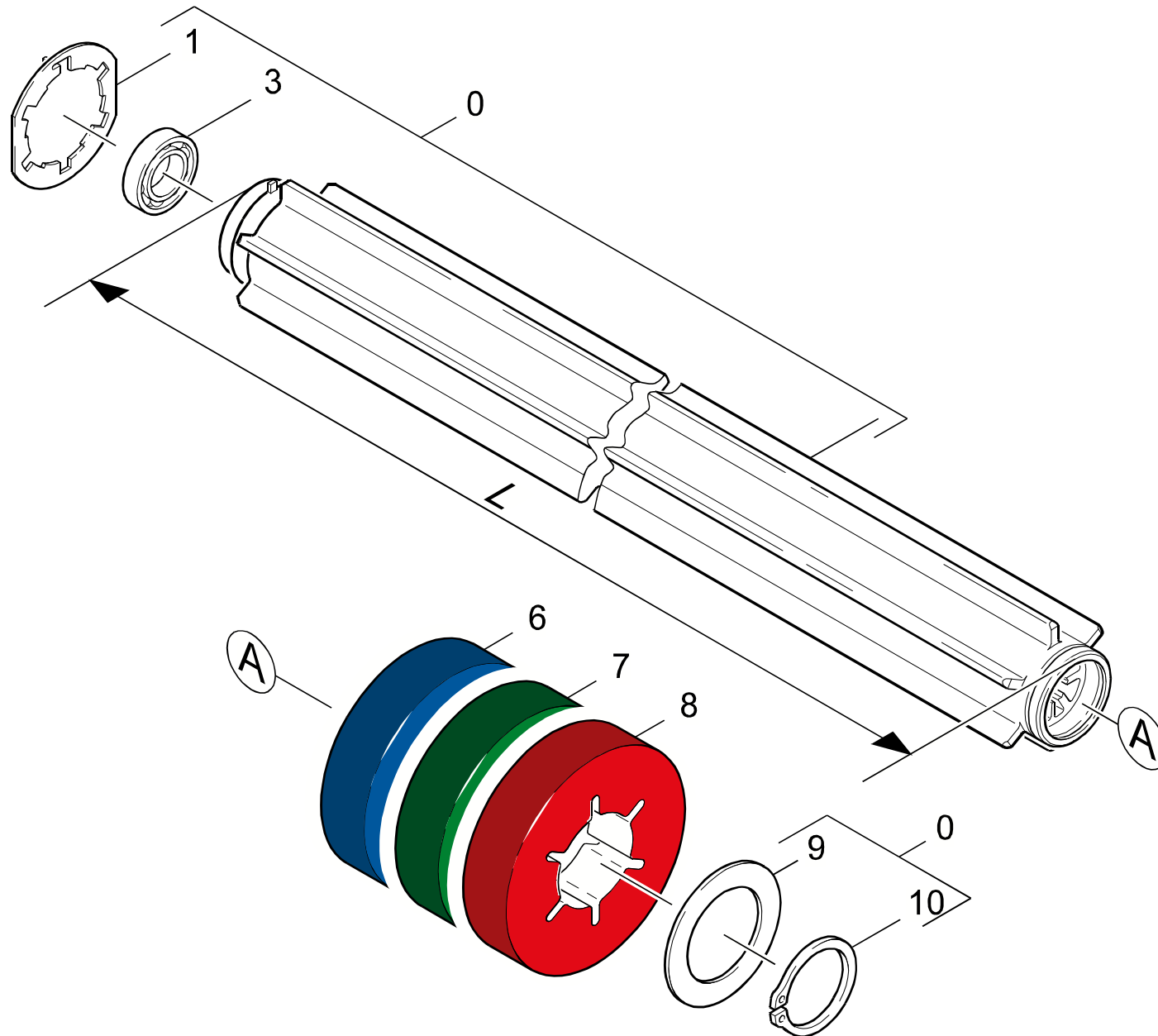
**BR/BD TRIKE**

**GRUPPE: 9.0 ZUBEHOER PAD-WALZE**  
**GROUP: 9.0 ACCESSORIES**  
**GRUPPE: 9.0 ACCESSOIRES**

GRUPPE: 9.0 ZUBEHOER PAD-WALZE  
GROUP: 9.0 ACCESSORIES  
GRUPPE: 9.0 ACCESSOIRES

**B9**

**BR/BD TRIKE**



Symbolbeschreibung siehe M16 / symbol description see M16 / désignation de système voir M16 /

GRUPPE: 9.0 ZUBEHOER PAD-WALZE  
GROUP: 9.0 ACCESSORIES  
GROUPE: 9.0 ACCESSOIRES

C9

BR/BD TRIKE

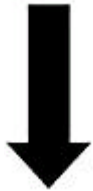
POS. ITM. POS.	BENNENUNG DESCRIPTION DESIGNATION	TEILE-NR. PART-NO. NO.PIECE	STCK QTY. NBR.
0	WALZE PAD / REVERSING ROLLING MILL / TAMBOUR <b>L = 632 MM</b>	4.762-188.0	1
1	SCHEIBE VERSCHLUSS / WASHER / RONDELLE	5.115-746.0	1
3	KUGELLAGER 6201-2RS / BALL BEARING / ROULEMENT A BILLE	7.401-169.0	1
6	PAD-GELB-105-20ST / PAD YELLOW 105 20PCS / PAD JANUE 105 QTE 20	6.369-454.0	1
7	PAD-GRUEN-105-20ST / PAD GREEN 20PCS / TAMPON VERT QTE 20	6.369-455.0	1
8	PAD-ROT-105-20ST / PAD RED 105 20PCS / TAMPON ROUGE 105 QTE 20	6.369-456.0	1
9	RONDE / RONDE / FLAN CIRCULAIRE	5.005-267.0	1
10	S-RING 50X2,0 / SPRING CLIP / CIRCLIP	7.343-037.0	1

"=> xxxxxx" = bis Werknummer / up to serial No. / jusqu' au No. de fabr. / "xxxxxx =>" = ab Werknummer / from serial No. / a partir du No. de fabr. /

## Bestellhinweis

Bei Ihrer Bestellung sind unbedingt anzugeben :

- |   |   |  |   |   |
|---|---|--|---|---|
| <b>1.</b><br>Gerätetyp<br>Machine model<br>Type d'appareils | <b>2.</b><br>Herstell-Nr.<br>Serial-No.<br>No. de série | <b>3.</b><br>Benennung<br>Description<br>Désignation | <b>4.</b><br>Teile-Nr.<br>Part No.<br>Référence | <b>5.</b><br>Stückzahl<br>Piece No.<br>Quantité |
|---|---|--|---|---|



**siehe Typenschild  
see name-plate  
voir plaque signalétique**



**siehe Ersatzteilliste  
see spare parts list  
voir liste des pièces de rechange**

- Die Ersatzteile, welche als Meterware geliefert werden, sind auf Einbaulänge selbst zu kürzen. Ebenso sind die Stückzahlen in den jeweiligen Gruppen als Mindestbestellmengen = 1m angegeben und können je nach Bedarf auf weitere volle Meterzahlen erhöht und bestellt werden.
- Spare Parts which are delivered as cut goods have to be shortened to installation length. The quotation of quantity in each group refers to the minimum order quantity = 1m and may be ordered and raised to further full metre-values according to demand
- Les pièces de rechange qui sont livrées comme marchandise au mètre sont à raccourcir selon la longueur d'installation. Les indications de quantité dans chaque group se réfèrent à des valeurs de mètre de plus.
- Diese Ersatzteilliste erscheint in gedruckter Form sowie als Mikrofiche. Bei Querverweisen bezieht sich die Angabe "Seitenzahl" auf die gedruckte Ersatzteilliste und die Angabe "Bildtafel" auf die Mikrofichenausgabe.
- This spare parts list is published both in printed form and as a microfiche. In the cross-references, "page number" refers to the printed spare parts list and "display table" to the microfilm edition.
- Cette liste de pièces de rechange est aussi bien imprimée que publiée sous forme de microfiche. Les indications transversales renvoient au "numéro de page" sur la liste imprimée des pièces de rechange et à la "planche" sur la microfiche.

Bitte beachten Sie, daß der Teileumfang dieser Ersatzteilliste nicht unbedingt dem Lieferumfang Ihres Gerätes entspricht.

For your information: It could be that certain parts quoted in this spare parts list were not included with the machine delivery.

Pour votre information: il se peut que certaines pièces détachées mentionnées sur la liste ne vous aient pas été livrées avec l'appareil.

Die in dieser Ersatzteilliste nicht aufgeführten Einzelteile, bestellen Sie bitte direkt beim Vertragskundendienst des jeweiligen Herstellers.

Please order the individual parts not included in this assembly directly with the contract aftersales service of the manufacturer in question.

Veillez s'il vous plaît, commander les pièces détachées qui ne sont indiquées dans notre liste des pièces détachées, directement auprès du service après-vente des fabricants en question.

Bei Bestellung von lackierten Teilen, welche in der Ersatzteilliste nicht in verschiedenen Farben ausgewiesen sind, ist zusätzlich die Farbnummer oder Farbe mit anzugeben. Diese finden Sie auf dem Typenschild oder Farbschild Ihres Gerätes.

Upon ordering of varnished parts which are not mentioned in the spare parts list as parts with different colors, kindly additionally mention the number of the color. It can be seen on the type plate of the color plate of your machine.

Commandant des parts vernissés qui ne sont pas mentionnés comme parts avec une couleur différente dans la liste des pièces détachées, veuillez mentionner de plus le numéro de la couleur. Il se trouve sur la plaque signalétique ou la plaque de couleur de votre machine.

Auflistungen von Einzelteilen bei Ersatzteil - u. Pumpensets sind in der Reihe "16" einzusehen, bzw. direkt unter dem entsprechenden Set aufgelistet.

Listings of single parts upon spare parts kits and pump kits can be seen in row "16" or directly listed below the corresponding kit.  
Des établissements des pièces détachées en ce qui concerne les kits des pièces de rechange et les kits de pompes, peuvent être vus à la ligne "16" ou ils sont répertoriés directement au-dessous du jeu correspondant.

Technische Änderungen im Rahmen der Weiterentwicklung sowie das Recht der ausschließlichen Auswertung unseres geistigen Eigentums behalten wir uns vor. Vervielfältigung und Nachdruck nur mit Genehmigung und Urheberhinweis möglich.

We reserve the right to make technical changes in the course of development work and the right to make exclusive use of our intellectual property. This spare parts list may be duplicated or reprinted only with our approval and with acknowledgement of our copyright.

Nous nous réservons le droit de toutes modifications techniques dans le cadre du perfectionnement des mises au point ainsi que le droit de la mise en valeur exclusive de notre propriété intellectuelle. Polycopie et reproduction exclusivement après accord et avec mention de l'auteur.



# INDEX

## M16

## BR/BD TRIKE

GRUPPE:	1.0 GERAET-EINZELTEILE	A1-H1	GRUPPE:	9.0 ZUBEHOER PAD-WALZE	A9-C9
GROUP:	1.0 APPLIANCE - PIECE PARTS		GROUP:	9.0 ACCESSORIES	
GRUPPE:	1.0 USTENSILE-PIECES CONSTIT.		GRUPPE:	9.0 ACCESSOIRES	
GRUPPE:	2.0 WASSERTANK	A2-C2			
GROUP:	2.0 WATER TANK				
GRUPPE:	2.0 RESERVOIR A EAU				
GRUPPE:	3.0 FAHRWERK & LENKUNG	A3-F3			
GROUP:	3.0 RUNNING GEAR				
GRUPPE:	3.0 MECANISME D'ROULEMENT				
GRUPPE:	4.0 BEDIENELEMENTE	A4-F4			
GROUP:	4.0 OPERATING ELEMENT				
GRUPPE:	4.0 ELEMENT D'EMPLOI				
GRUPPE:	5.0 SAUGBALKEN	A5-G5			
GROUP:	5.0 SUCTION PART				
GRUPPE:	5.0 INSTAL. D'ASPIRATION				
GRUPPE:	6.0 STEUERUNGSELEKTRON.	A6-E6			
GROUP:	6.0 CONTROL ELECTRONICS				
GRUPPE:	6.0 ELECTRON.(COMMANDE)				
GRUPPE:	7.0 BODENKOPF-BR TRIKE	A7-C7			
GROUP:	7.0 POWER BRUSH -BR				
GRUPPE:	7.0 BROSSE -BR				
GRUPPE:	8.0 BODENKOPF-BD TRIKE	A8-E8			
GROUP:	8.0 POWER BRUSH -BD				
GRUPPE:	8.0 BROSSE -BD				



BEISPIEL: VERSION 1  
EXAMPLE: VERSION 1  
EXEMPLE: VERSION 1

**3.0**

BEISPIEL: SIEHE IN GRUPPE 3  
EXAMPLE: SEE IN GROUP 3  
EXEMPLE: VOIR EN GROUPE 3



WICHTIGER HINWEIS  
IMPORTANT REMARK  
REMARCAQUAGE IMPORTANT

BESTELLHINWEIS SIEHE M15  
EXAMPLE ORDER SEE M15  
EXEMPLE DE COMMANDE VOIR M15

VARIANTENÜBERSICHT SIEHE L16  
VARIANTS SURVEY SEE L16  
VUE D'ENSEMBLE DE VARIANTS VOIR L16