

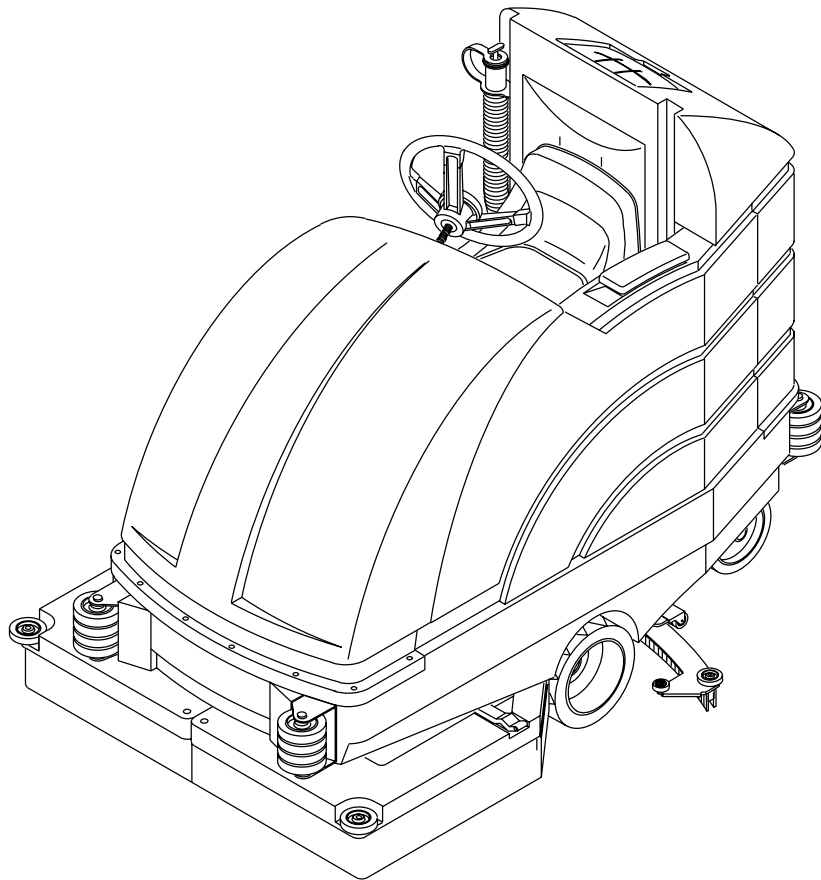


Tuff Scrub™ 3300

Rider Scrubber

Model No.:
606993
606994 - Pac
609237 - Can. Pac

Operator and Parts Manual

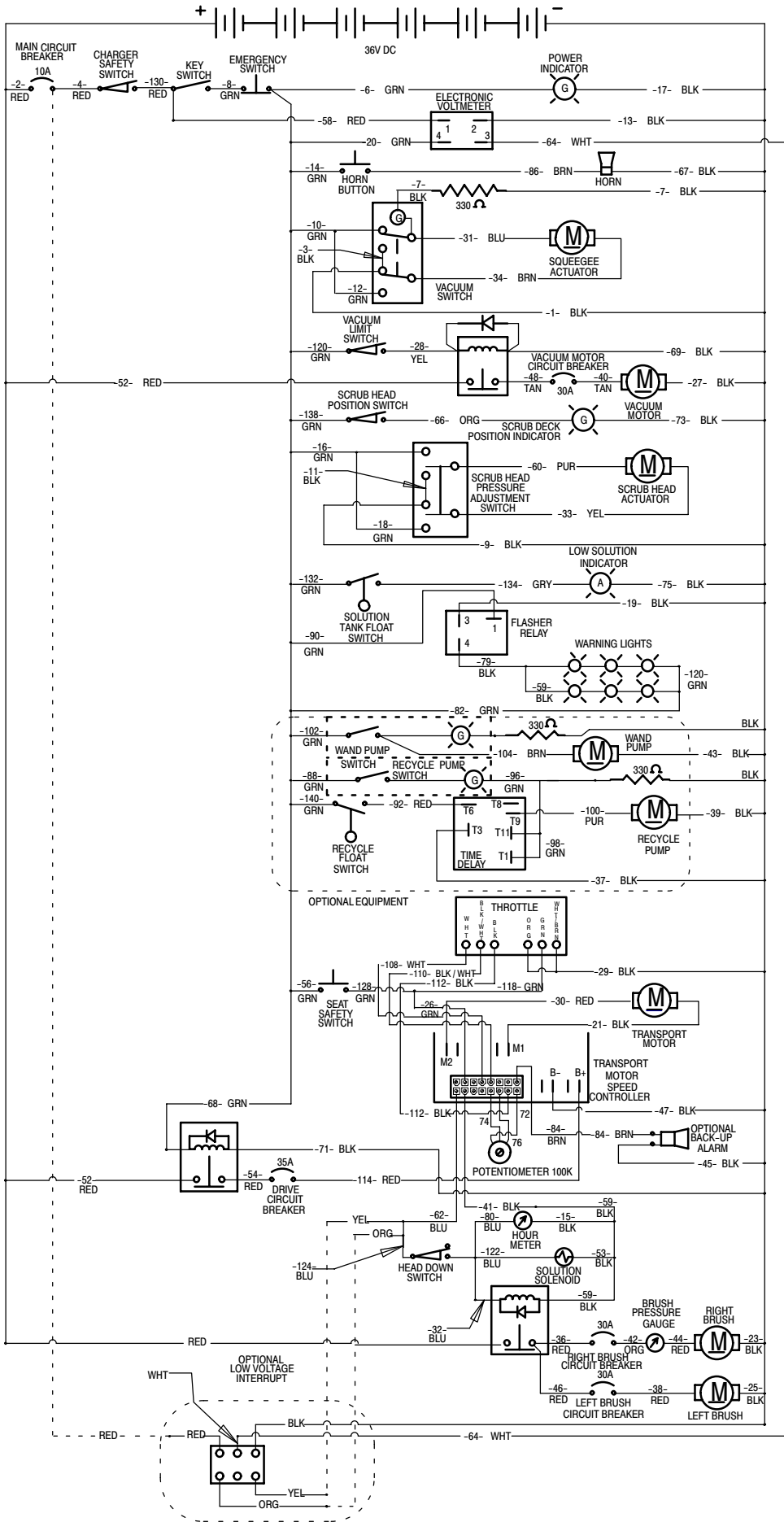


NOBLES
12875 RANSOM STREET
HOLLAND MI 49424 U.S.A.

CUSTOMER SERVICE: 1-800-365-6625
FAX: 1-800-678-4240

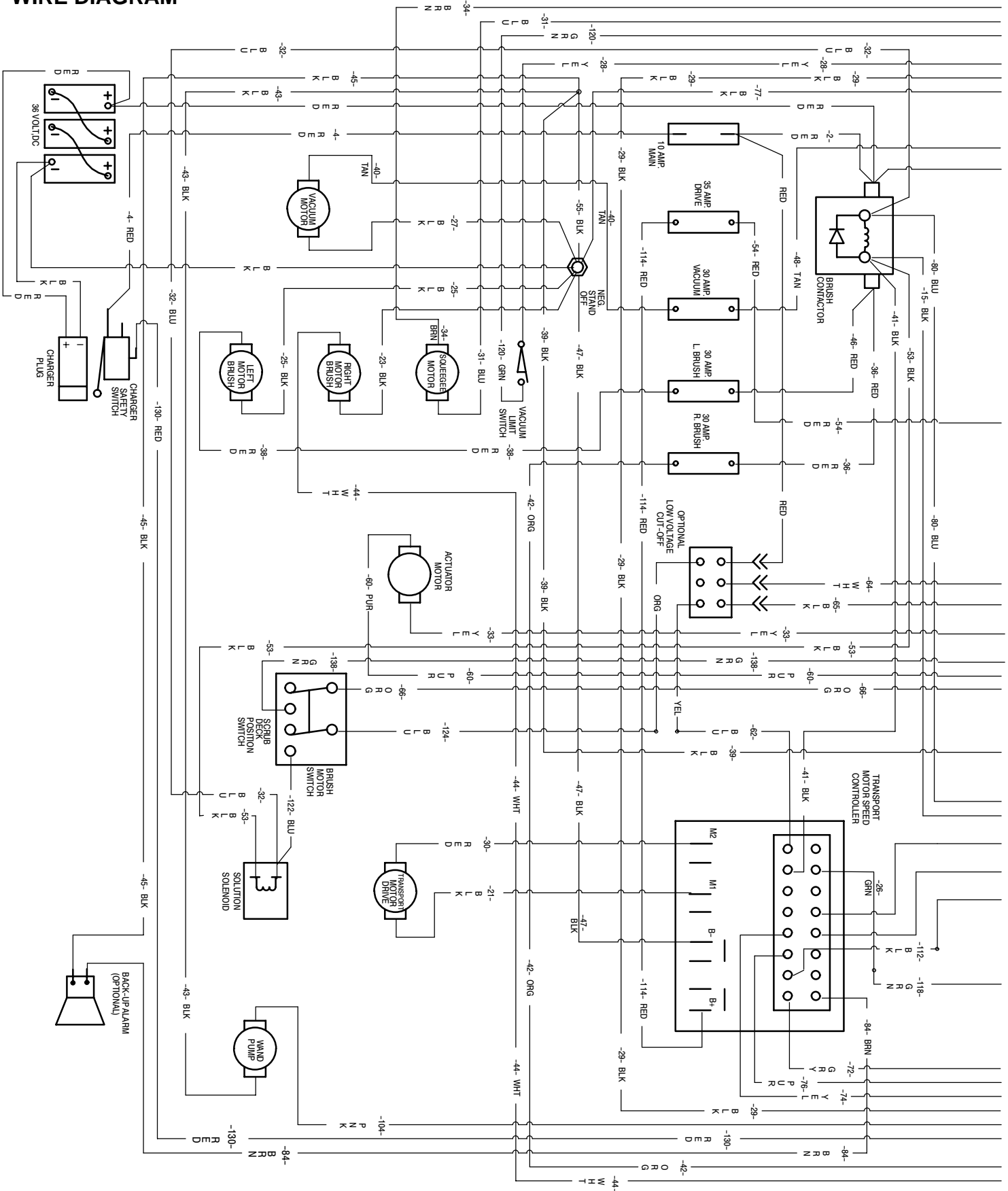
608596
Rev. 00 (09-99)

LADDER DIAGRAM

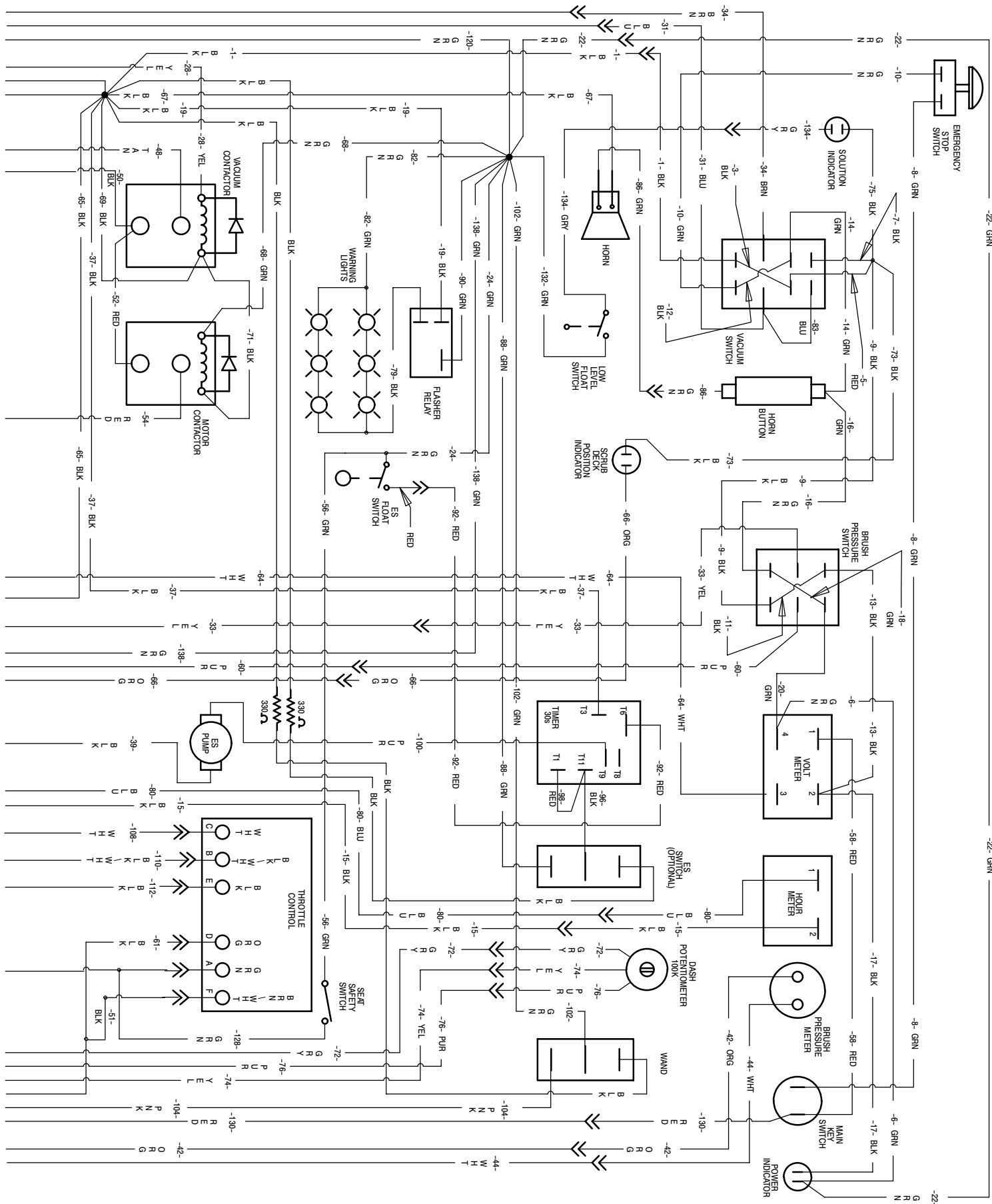


ELECTRICAL DIAGRAMS

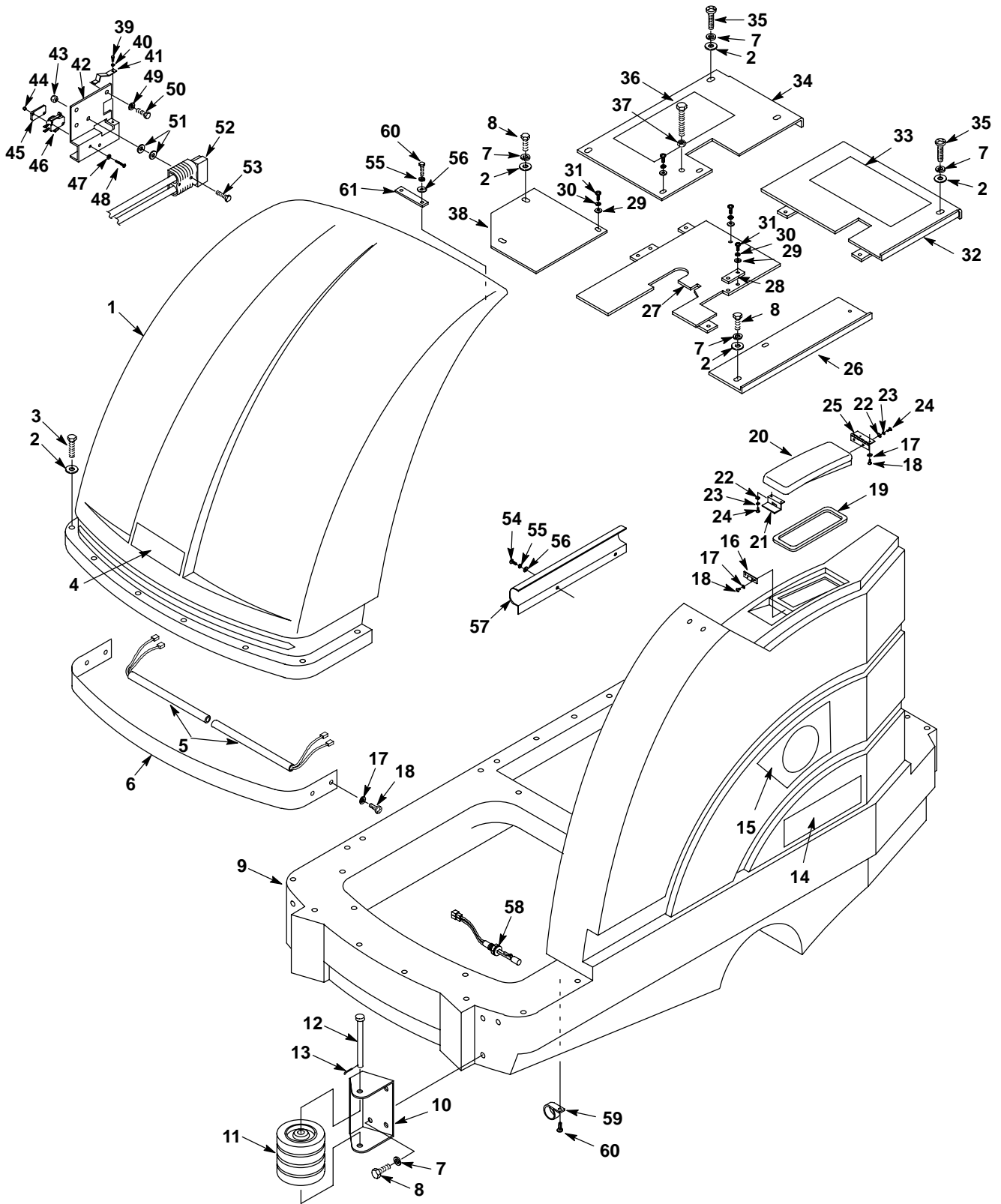
WIRE DIAGRAM



ELECTRICAL DIAGRAMS



SOLUTION TANK GROUP



SOLUTION TANK GROUP

REF	PART #	DESCRIPTION	QTY.
1	600859	HOUSING, FRONT	1
2	140027	WASHER, 5/16 FLT	15
3	605079	SCREW, M8X1.25X35	15
4	608184	DECAL, NOBLES 1.62" X 9.5"	1
5	603440	LIGHT, SAFETY 36VDC	2
6	601977	SCREEN, FRONT LIGHTS	1
7	140015	WASHER, 5/16 SPLTLCK	19
8	140275	SCREW, M8X1.25X16 HXHDCP	15
9	600857	TANK, SOLUTION	1
10	600881	BRACKET, BUMPER WHEELS	4
11	630450	WHEEL, RUBBER	20
12	600915	PIN, CLEVIS 7/16X6	4
13	578421	PIN, COTTER, .12"X1.00"LG	4
14	607404	DECAL, "TUFF SCRUB 3300"	1
15	607405	DECAL, CORE COVER	1
16	601979	CLIP, LATCH SOL COVER	1
17	140032	WASHER, #6 FLAT	8
18	140872	SCREW, #6X3/8	8
19	601978	GASKET, SOLUTION TANK COVER	1
20	601975	COVER, SOL TANK	1
21	601980	LATCH, SOL COVER	1
22	140007	WASHER, #8 FLT	4
23	140023	WASHER, #8 INT	4
24	20007034	SCREW, M4X.7X8	4
25	601981	HINGE, SOLUTION COVER	1
26	607033	PANEL, FLOOR LEFT FRONT	1
27	607036	PANEL, FLOOR CENTER FRONT	1
28	607070	PLATE, PARKING BRAKE LATCH	1
29	140000	WASHER, 1/4 FLT	8
30	140016	WASHER, 1/4 LCK	8
31	578187000	SCREW, M6X1.0X12	8

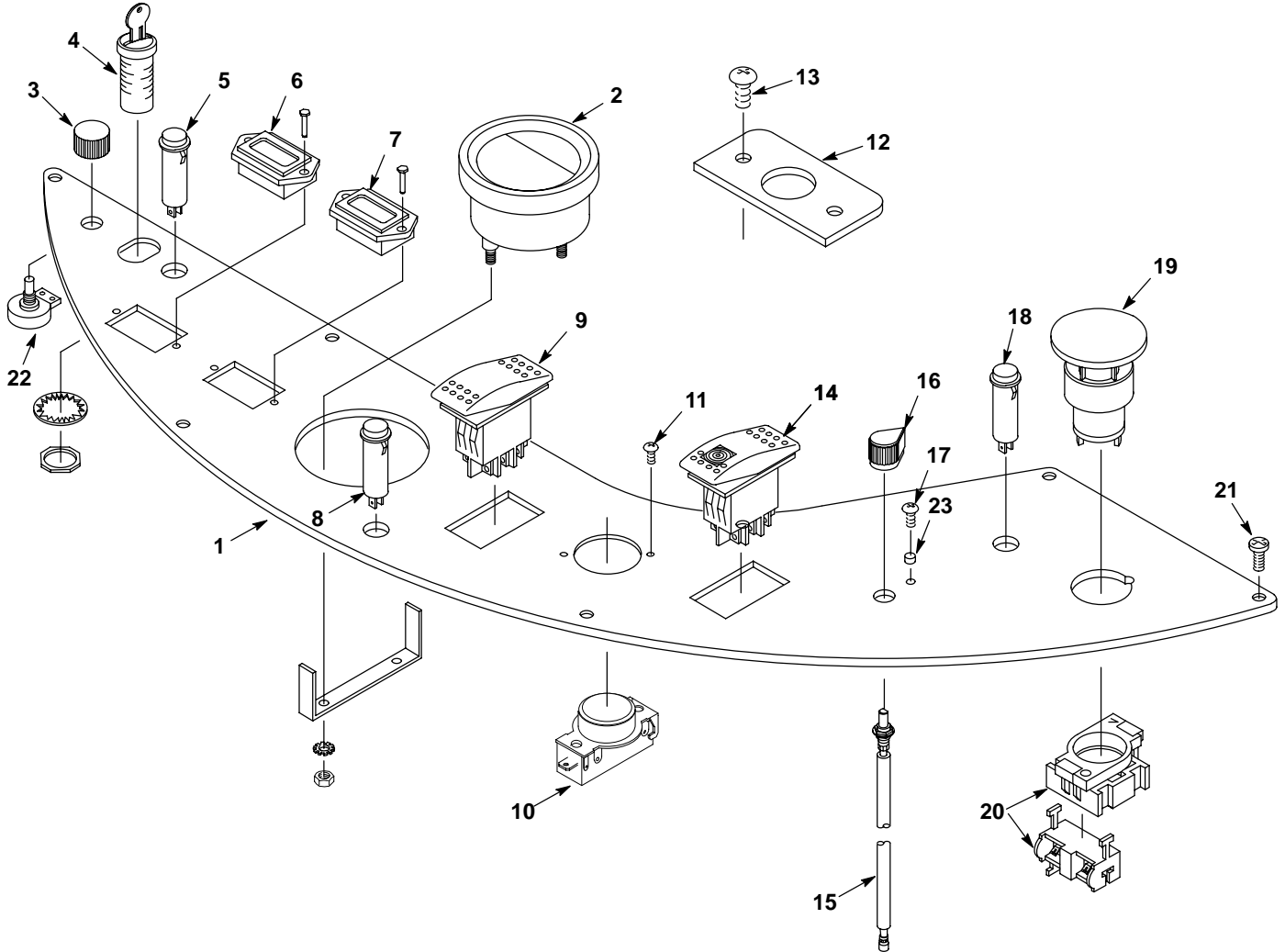
REF	PART #	DESCRIPTION	QTY.
32	607037	PANEL, FLOOR LEFT REAR	1
33	600993	PAD, NON SLIP SURFACING 4X10	2
34	607035	PANEL, FLOOR RIGHT REAR	1
35	575029000	SCREW, M8X1.25X20	4
36	140204	SCREW, 1/2-13X1-1/2	1
37	140509	NUT, 1/2-13 HXJM	1
38	607034	PANEL, FLOOR FRONT RIGHT	1
39	200630262	SCREW, M3X.5X10 FILPHL	1
40	140019	WASHER, #6 EXT	1
41	607131	SPRING, LEVER CHR9 SHUTOUT	1
42	607132	PLATE, CHARGE PLUG	1
43	140284	NUT, M6X1.0 NYLCK	2
44	579211	NUT, M3 HEXLCK	2
45	601359	PLATE, SWITCH BACKING	1
46	600437	SWITCH, ROLLER 15A	1
47	601127000	WASHER, FLAT	2
48	578403000	SCREW, M3X.5X20	2
49	140016	WASHER, 1/4 LCK	2
50	200031436	SCREW, M6X1.0X16	2
51	140000	WASHER, 1/4 FLT	4
∇52	607141	ASM, CHARGE PLUG	1
▲	069764608	●PLUG	1
53	200031444	SCREW, M6X1.0X30	2
54	069760096	SCREW, M8X1.25X10	2
55	140015	WASHER, 5/16 SPLTLCK	4
56	140027	WASHER, 5/16 FLT	4
57	607136	COVER, WIRING	1
58	607825	SENSOR, LIQUID LEVEL	1
59	140314	CLAMP, INSULATED 3/4" ID	1
60	200607491	SCREW, M8X1.25X25	3
61	600958	PLATE, HOUSING TIE	1

∇ ASSEMBLY

▲ INCLUDED IN ASSEMBLY

● RECOMMENDED STOCK ITEMS

CONTROL CONSOLE GROUP



CONTROL CONSOLE GROUP

REF	PART #	DESCRIPTION	QTY.
1	607076	PANEL, DASH	1
2	607074	●GAUGE, BRUSH PRESSURE	1
3	606550	KNOB, .92DIA X .76X1/4ID BUSHING	1
4	612462	●KEYSWITCH	1
5	626114	●LIGHT, PILOT 36V GREEN	1
6	600832	●GAUGE, BATTERY 36V	1
7	630143	METER, HOUR, 18-60VDC	1
8	626114	●LIGHT, PILOT 36V GREEN	1
9	603399	●SWITCH, BRUSH PRESSURE	1
10	626128	SWITCH, PUSHBUTTON	1
11	140756	SCREW, 6-32X1/4	2
12	607104	COVER, STEERING BEARING	1
13	578187000	SCREW, M6X1.0X12	2

REF	PART #	DESCRIPTION	QTY.
14	607977	●SWITCH, VAC & SQUEEGEE	1
15	607406	CABLE, SOLUTION CONTROL	1
16	626121	KNOB, WATER VALVE	1
17	140809	SCREW, 6-32X7/16	1
18	611148000	LIGHT, PILOT 32V AMBER	1
19	630100	●SWITCH, PUSHBUTTON	1
20	630097	●SWITCH, CONTACT BLOCK	1
21	611226000	SCREW, 6-32X1/4 TRS	7
∇N/S	607106	HARNESS, MAIN	1
▲ 22	607921	●POTENTIOMETER	1
23	630452	SPACER	1

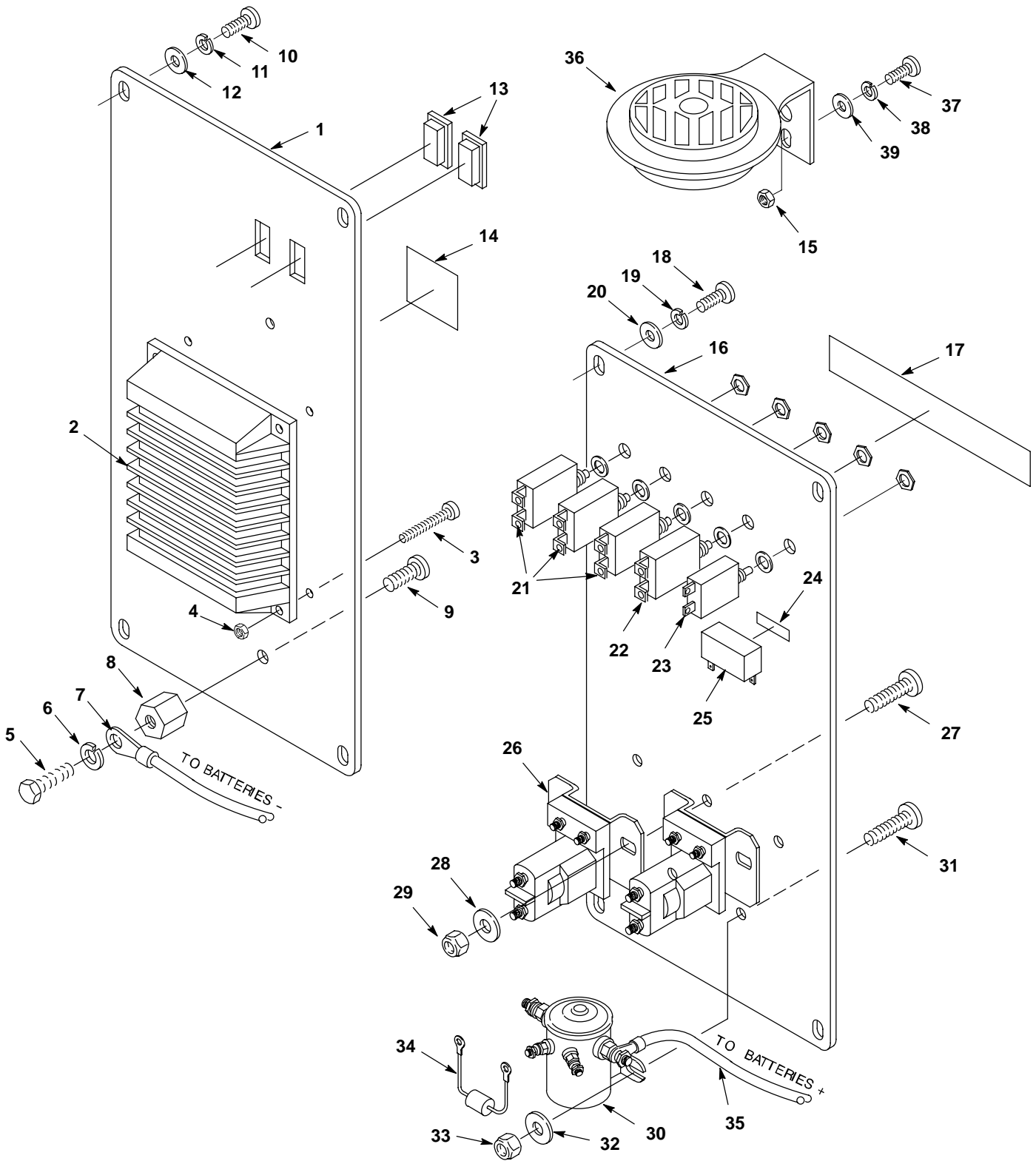
∇ ASSEMBLY

▲ INCLUDED IN ASSEMBLY

● RECOMMENDED STOCK ITEMS

N/S NOT SHOWN

ELECTRICAL PANEL GROUP



ELECTRICAL PANEL GROUP

REF	PART #	DESCRIPTION	QTY.
1	607069	PANEL, ELECTRICAL RH	1
2	600956	●CONTORL, BOARD 36V 90A	1
3	140829	SCREW, 6-32X1	4
4	140539	NUT, 6-32 KEP	4
5	140553	SCREW, 1/4-20X1/2	1
6	140016	WASHER, 1/4 LCK	1
7	607402	CABLE, #4 BLACK	1
8	578427	STANDOFF, TERMINAL	1
9	140195	SCREW, 1/4-20X1/2	1
10	578187000	SCREW, M6X1.0X12	4
11	140016	WASHER, 1/4 LCK	4
12	140000	WASHER, 1/4 FLT	4
13	582150	PLUG, ACCESSORY SWITCH	2
14	606105	DECAL, DO NOT SPRAY	1
15	140506	NUT, 5/16-18 HEX	2
16	601461	PANEL, ELECTRICAL LH	1
17	607836	DECAL, CIRCUIT BREAKERS RIDER	1
18	578187000	SCREW, M6X1.0X12	4
19	140016	WASHER, 1/4 LCK	4
20	140000	WASHER, 1/4 FLT	4

▽ ASSEMBLY

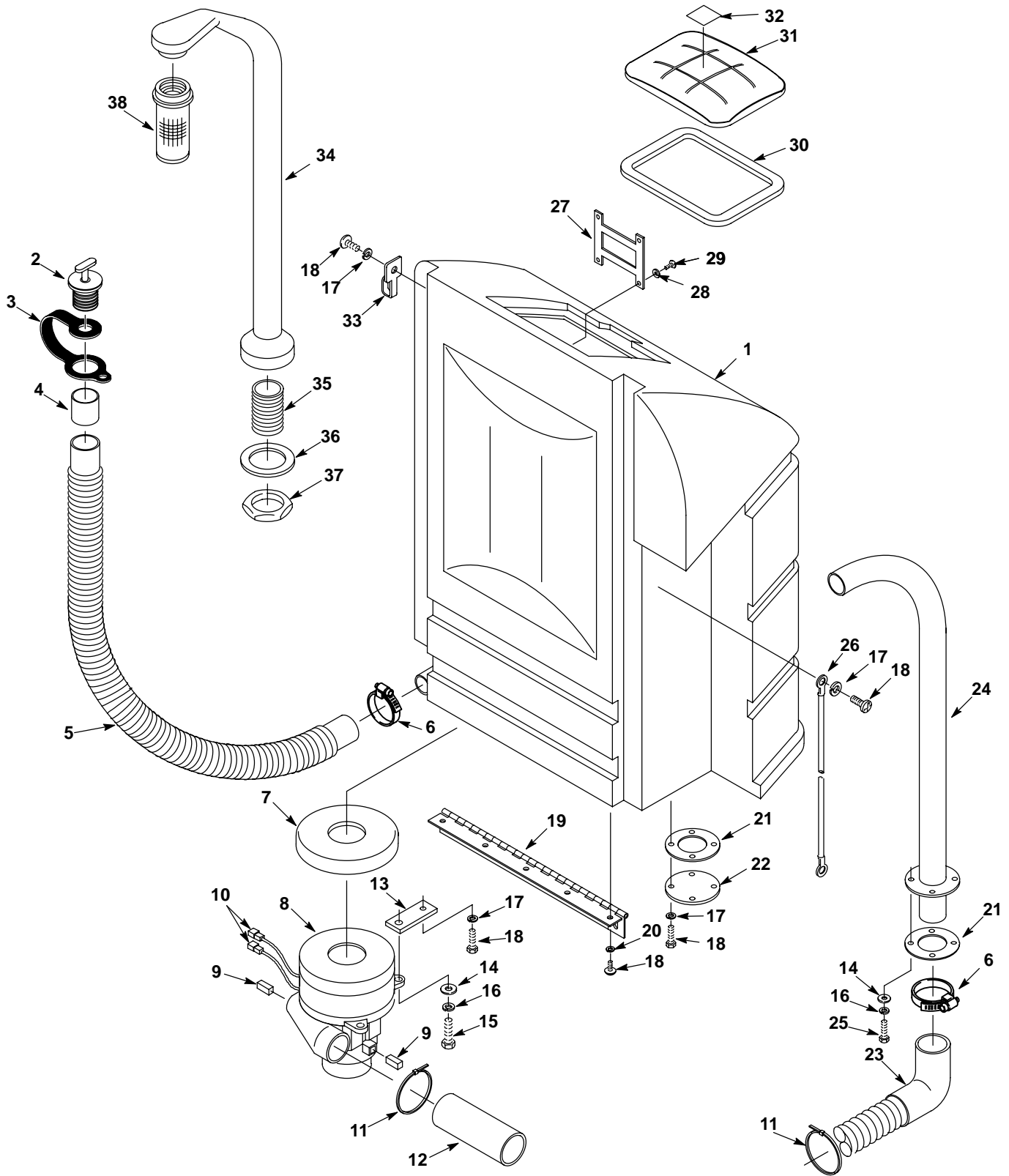
▲ INCLUDED IN ASSEMBLY

● RECOMMENDED STOCK ITEMS

N/S NOT SHOWN

REF	PART #	DESCRIPTION	QTY.
21	606780	BREAKER, CIRCUIT 30A	3
22	602951	BREAKER, CIRCUIT 35A	1
23	130737	BREAKER, CIRCUIT 10A	1
24	100058	TAPE, ACRYLIC FOAM - 1" WIDE	.08ft
25	603839	FLASHER, 36VDC	1
26	611157000	●CONTACTOR, 36VDC 100A	2
27	578321000	SCREW, M6X1.0X16	3
28	140000	WASHER, 1/4 FLT	3
29	140284	NUT, M6X1.0 NYLCK	3
30	130733	●SOLENOID, SPNO 36 VOLT	1
31	578321000	SCREW, M6X1.0X16	2
32	140000	WASHER, 1/4 FLT	2
33	140284	NUT, M6X1.0 NYLCK	2
34	606404	●ASM, DIODE W/RING TERMINALS	3
35	607401	CABLE, #4 RED	1
36	369702	HORN, 36VDC	1
37	575029000	SCREW, M8X1.25X20	2
38	140015	WASHER, 5/16 SPLTLCK	2
39	140027	WASHER, 5/16 FLT USS	2
▽N/S	607106	HARNES, MAIN	1
▲N/S	607922	CONNECTOR, CONTROL BOARD	1

RECOVERY TANK GROUP



RECOVERY TANK GROUP

REF	PART #	DESCRIPTION	QTY.
1	600863	TANK, RECOVERY	1
2	621324	PLUG, EXPANSION 1-1/2"DIA	1
3	578441	STRAP, DRAIN HOSE	1
4	630394	SLEEVE, DRAIN HOSE 1.5"ID	1
5	630068	●HOSE, DRAIN 1.5ID X20"	1
6	140308	CLAMP, HOSE 1-5/16 TO 2-1/4	2
7	0174..10	SEAT, NEOPRENE MOTOR	1
∇8	130413	●MOTOR, VAC 5.7DIA 3 STG.36VDC	1
▲9	190162	●BRUSH, CARBON 2/PK	1
10	130096	TERMINAL, ML DSCNT 16-14 FI	2
11	130041	WIRE TIE, NYLON 11-1/2 X .190	2
12	600009	MUFFLER, VAC EXHAUST	1
13	607403	PLATE, VAC MOUNT	3
14	140000	WASHER, 1/4 FLT	7
15	140212	SCREW, 1/4-20X1-1/2 HXHDCP	3
16	140016	WASHER, 1/4 LCK	7
17	140015	WASHER, 5/16 SPLTLCK	9
18	140275	SCREW, M8X1.25X16 HXHDCP	18
19	600877	HINGE, RECOVERY TANK	1

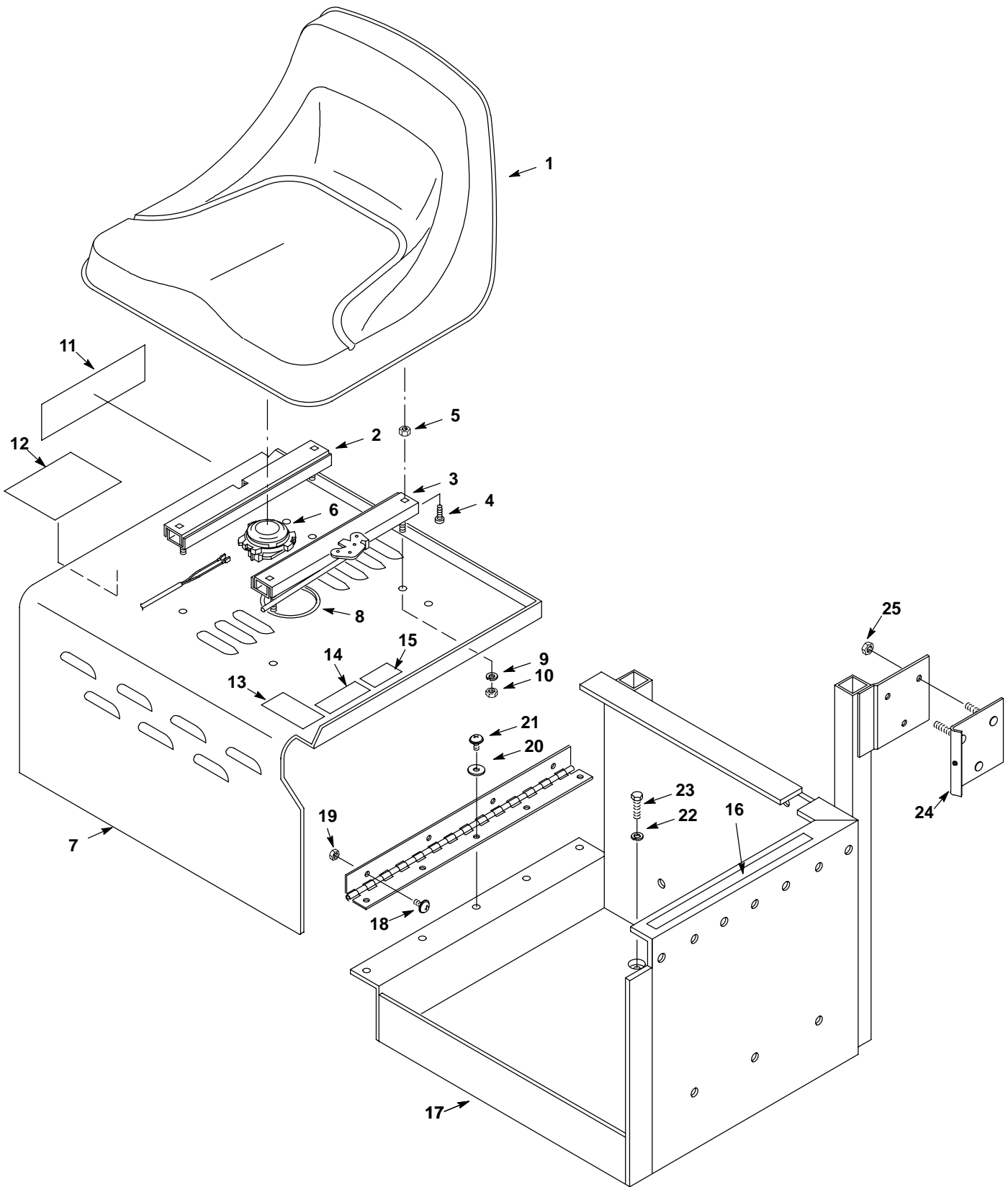
REF	PART #	DESCRIPTION	QTY.
20	140027	WASHER, 5/16 FLT	9
21	607072	GASKET	2
22	607130	COVER, ES	1
23	603259	●HOSE, 1.5X50" 90DEG CUFF	1
24	600872	TUBE, VAC INLET	1
25	200031441	SCREW, M6X1.0X25 HXHDCP	4
26	140960	CABLE, REC TANK SUPPORT	1
27	630056	STRAP, TANK COVER RETAINING	1
28	140032	WASHER, #6 FLT	4
29	140872	SCREW, #6X3/8 PANPHL	4
30	630367	●GASKET, REC TANK COVER	1
31	630055	COVER, TANK CLEANOUT	1
32	630420	DECAL, FLAMMABLE MAT'L	1
33	222793	CLIP, HOSE HANGER	1
34	600871	STANDPIPE, RM-NAT	1
35	606088	FITTING, 1-1/2" NIPPLE	1
36	101714	GASKET	1
37	210240	NUT, 1-1/2 FPT FLNG	1
38	180613	●FLOAT, SHUT-OFF	1

∇ ASSEMBLY

▲ INCLUDED IN ASSEMBLY

● RECOMMENDED STOCK ITEMS

SEAT GROUP



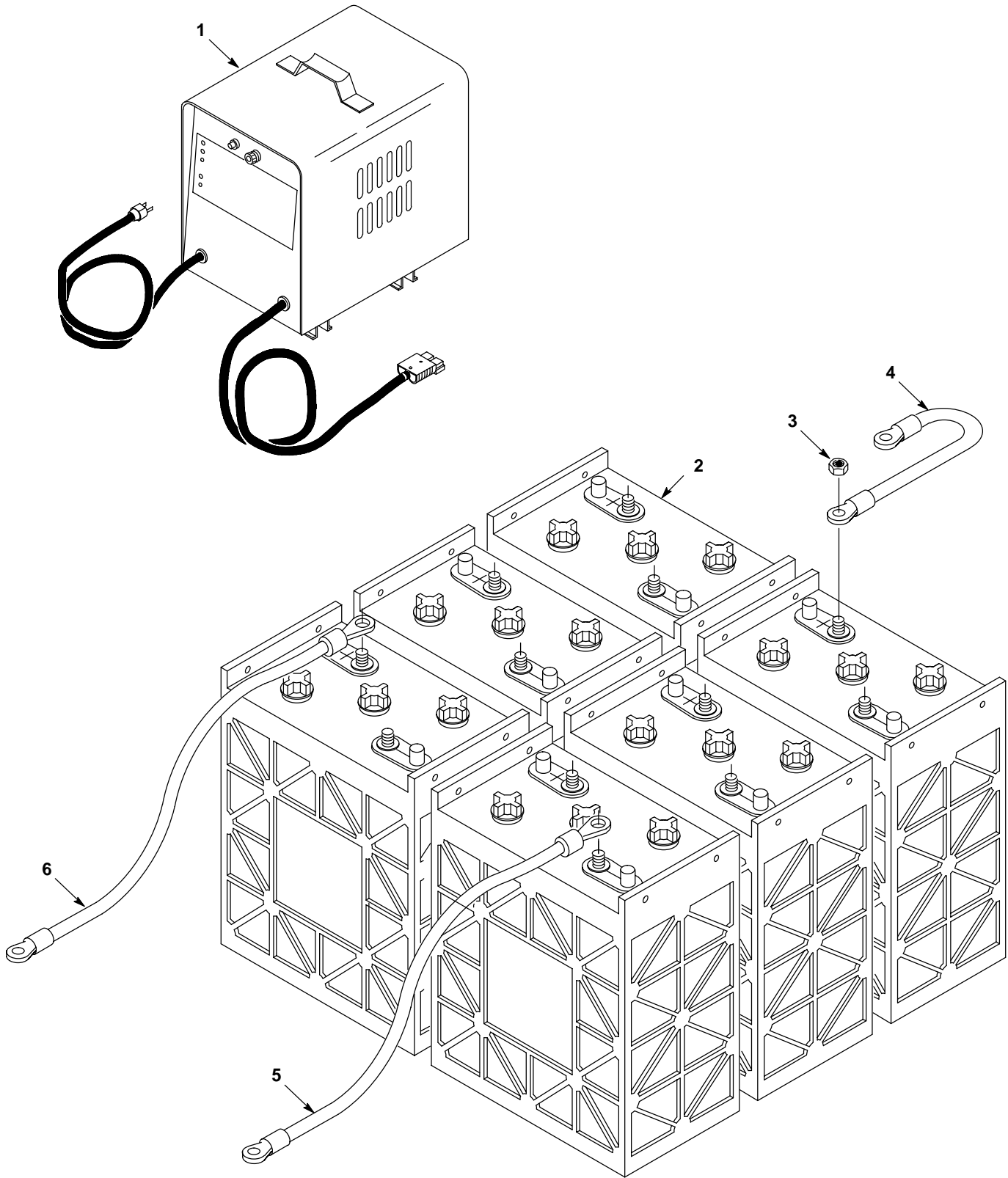
SEAT GROUP

REF	PART #	DESCRIPTION	QTY.
1	223077	SEAT	1
2	360369	RAIL, SLIDE SEAT	1
3	360370	RAIL, SLIDE SEAT W/LATCH	1
4	140219	SCREW, 5/16-18X1	4
5	140594	NUT, HEX 7/16-14	4
6	223078	●SWITCH, SEAT	1
7	600869	COVER, BATTERY HOUSING	1
8	607842	EDGING, PLASTIC 1/8"	1
9	140015	WASHER, 5/16 SPLTLCK	4
10	140506	NUT, 5/16-18 HEX	4
11	607404	DECAL, "TUFF SCRUB 3300"	1
12	607834	DECAL, BATT HOOKUP	1
13	120649	DECAL, WARNING - BATTERY	1

● RECOMMENDED STOCK ITEMS

REF	PART #	DESCRIPTION	QTY.
14	630420	DECAL, WARNING - BATTERY	1
15	607835	DECAL, FLAMMABLE MAT'L TXTLS	1
16	630476	GASKET	1
17	600865	HOUSING, BATTERIES	1
18	140275	SCREW, M8X1.25X16 HX	4
19	200160017	NUT, M8 HXL	4
20	140027	WASHER, 5/16 FLT	5
21	140275	SCREW, M8X1.25X16	5
22	140024	WASHER, 1/2 LCK	4
23	140204	SCREW, 1/2-13X1-1/2	4
24	607039	PLATE, SOL TANK SUPPORT	1
25	140506	NUT, 5/16-18 HEX	3

CHARGER AND BATTERY GROUP



CHARGER AND BATTERY GROUP

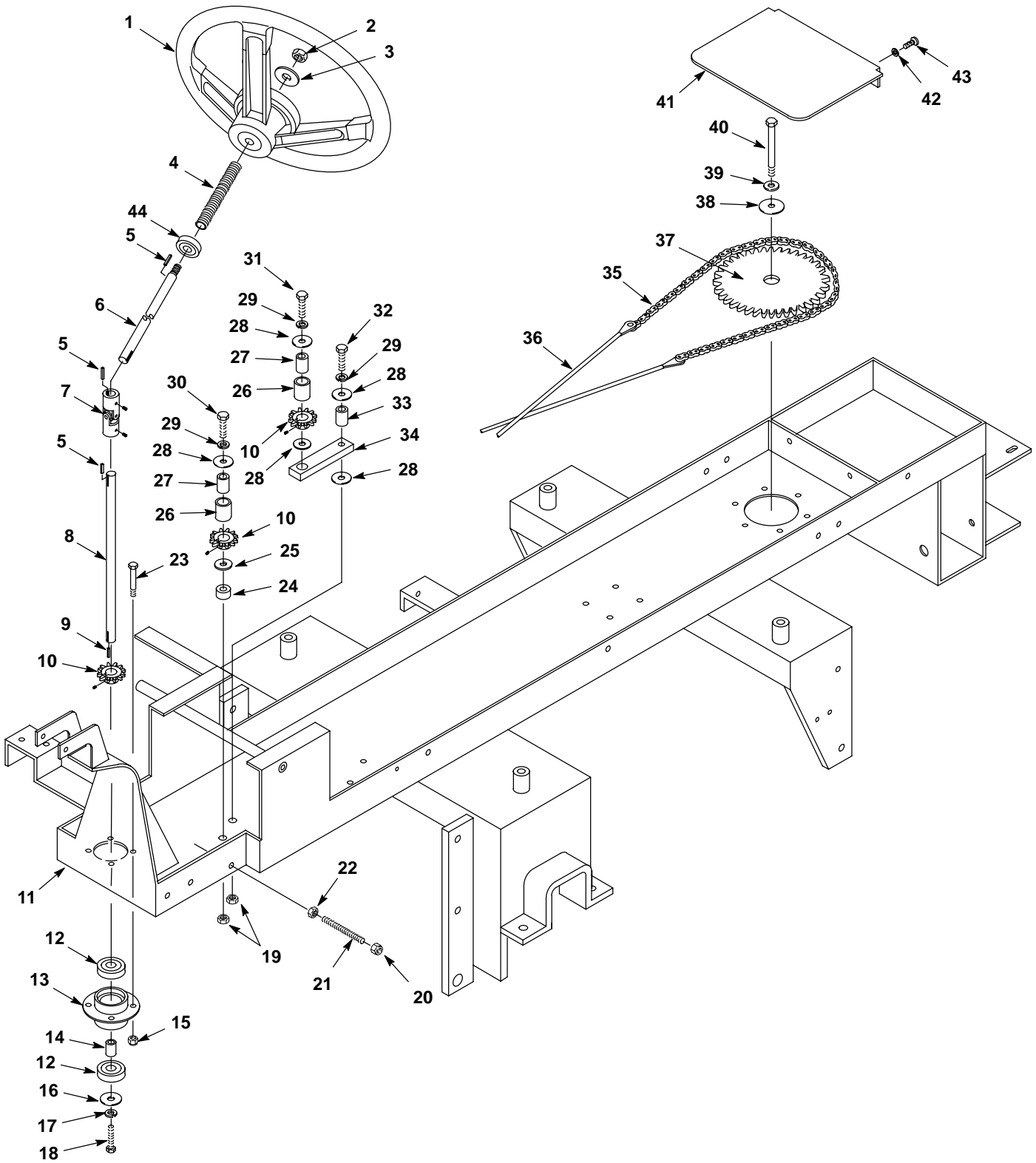
REF	PART #	DESCRIPTION	QTY.
1	602004	CHARGER, 36DC/36A/120V AC	1
∇2	601733	BATTERY, 6V 335AH	6
▲3	140506	NUT, 5/16-18 HEX	12

REF	PART #	DESCRIPTION	QTY.
4	611117000	CABLE, BATTERY	5
5	607402	CABLE, #4 BLACK	1
6	607401	CABLE, #4 RED	1

∇ ASSEMBLY

▲ INCLUDED IN ASSEMBLY

STEERING GROUP



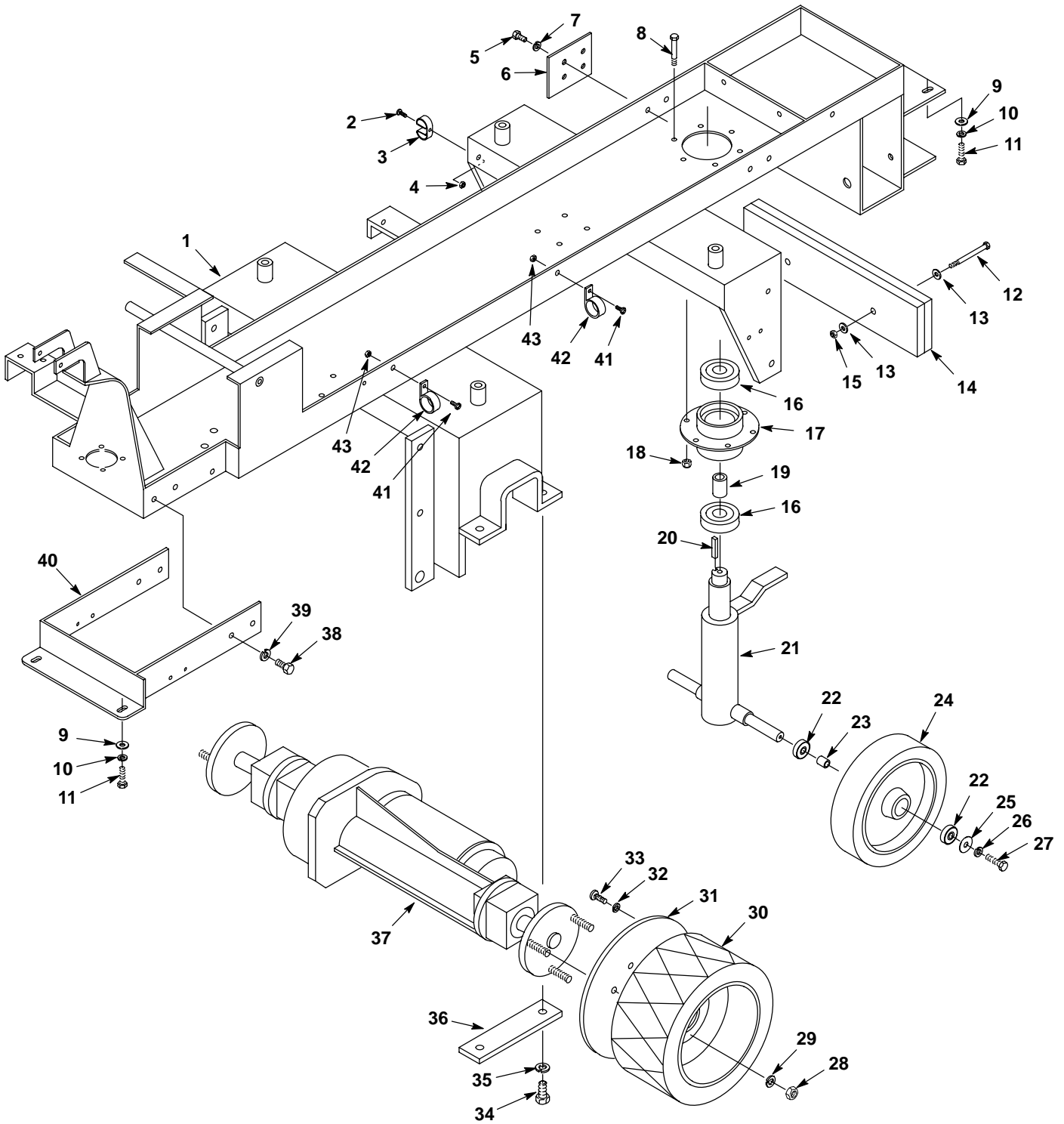
STEERING GROUP

REF	PART #	DESCRIPTION	QTY.
1	223075	STEERING WHEEL, 14 IN. DIA.	1
2	200102019	NUT, HEX	1
3	140045	WASHER, .510X1.25X.06 FLT	1
4	130009	LOOM, .75 DIA	.38ft
5	140628	KEY, 3/16	3
6	223061	SHAFT, STEERING UPPER	1
7	223072	UNIVERSAL JOINT, 3/4ID	1
8	600898	SHAFT, STEERING LOWER	1
9	140632	KEY, 1/4 X 1"	1
10	240071	SPROCKET, DRIVE MOTOR	3
11	600864	CHASSIS, WELDMENT	1
12	140123	BEARING	2
13	600894	HOUSING, STEERING BEARING	1
14	600893	SPACER, BEARING	1
15	200160018	NUT, HEX LOCK	4
16	140028	WASHER, 3/8 FLT	1
17	140333	WASHER, M10 SPLTLCK	1
18	140276	SCREW, M10X1.5X16	1
19	140509	NUT, 1/2-13 JAM	2
20	140515	NUT, 3/8-16 NYLCK	1
21	607838	STUD, 3/8-16X4	1
22	140545	NUT, 3/8-16 FINJAM	1
23	200031541	SCREW, 10X25	1

REF	PART #	DESCRIPTION	QTY.
24	607071	SPACER	1
25	600924	WASHER, BEARING	2
26	605943	SLEEVE, BEARING	2
27	600896	BUSHING	2
28	140045	WASHER, 1/2 FLAT	4
29	140024	WASHER, 1/2 LCK	3
30	140234	SCREW, 1/2-13X2-1/2	1
31	600666	SCREW, 1/2-13X1-3/4	1
32	140204	SCREW, 1/2-13X1-1/2	1
33	140137	BUSHING	1
34	600897	ARM, IDLER SPROCKET	1
35	606426	KIT, CHAIN & LINKS	2
N/S	240021	LINK, CONNECT	2
N/S	607040	SPACER	4
36	600930	CABLE, STEERING LINKAGE	2
37	600885	SPROCKET, REAR STEERING	1
38	140056	WASHER, 3/8IDX1.50OD FNDR	1
39	140333	WASHER, M10 SPLTLCK	1
40	140277	SCREW, M10X1.5X20 HXHDCP	1
41	607837	COVER, REAR SPROCKET	1
42	140018	WASHER, #10 INT	2
43	140268	SCREW, M5X.8X12	2
44	223065	BEARING, FLANGE	1

N/S NOT SHOWN

MAIN FRAME AND DRIVE GROUP

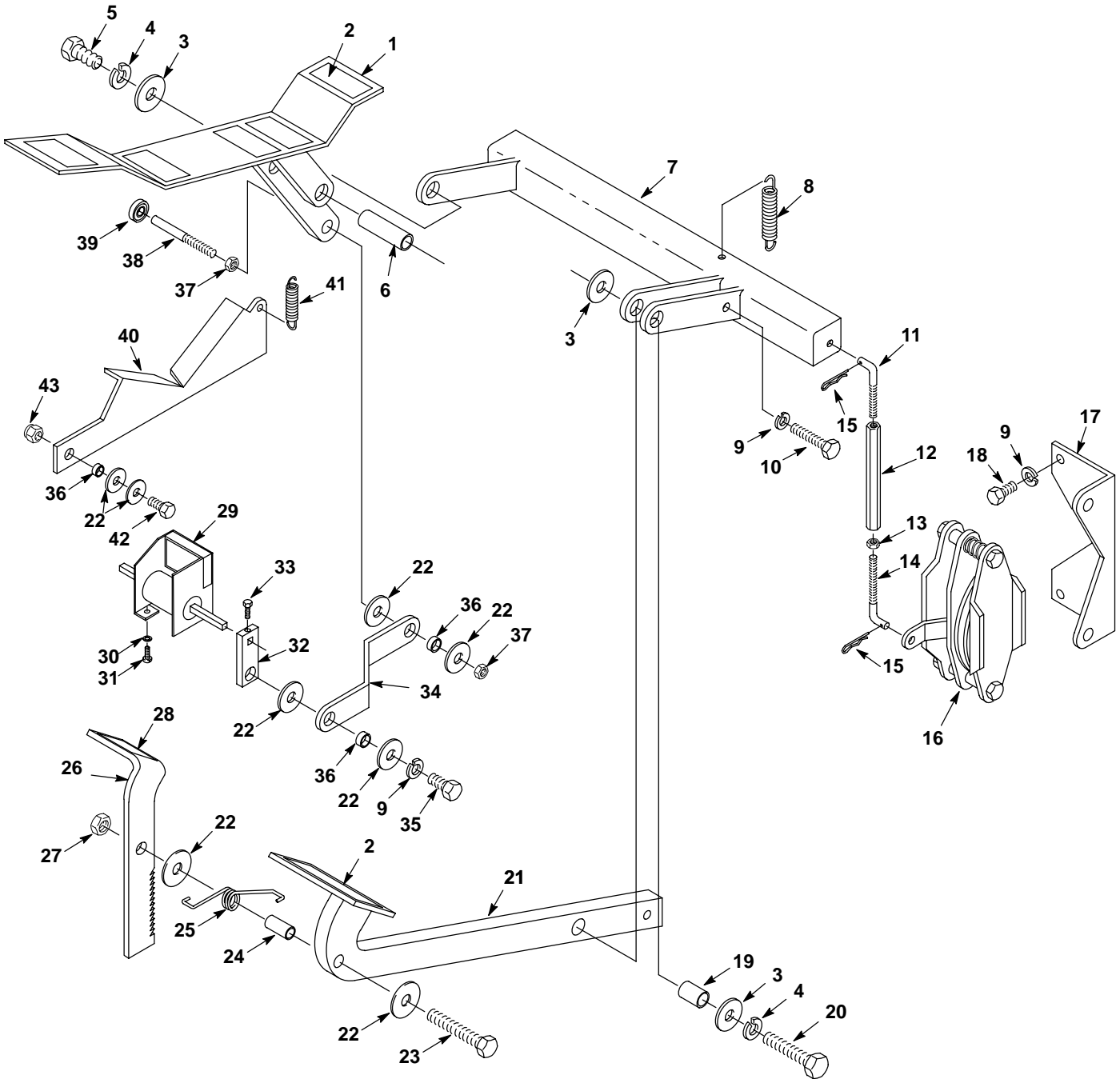


MAIN FRAME AND DRIVE GROUP

REF	PART #	DESCRIPTION	QTY.
1	600864	CHASSIS, WELDMENT	1
2	140823	SCREW, 10-24X5/8	1
3	573073	CLIP, WAND	1
4	140519	NUT, 10-24 KEP	1
5	140277	SCREW, M10X1.5X20	4
6	600909	PLATE, STEERING STOP	2
7	140333	WASHER, M10 SPLTLCK	4
8	200031541	SCREW, 10X25	6
9	140027	WASHER, 5/16 FLT	4
10	140015	WASHER, 5/16 SPLTLCK	4
11	140275	SCREW, M8X1.25X16	4
12	140256	SCREW, 3/8-16X2-1/2	2
13	140045	WASHER, .510X1.25X.06 FLT	4
14	607833	WEIGHT	2
15	140515	NUT, 3/8-16 NYLCK	2
16	600951	BEARING	2
17	600889	HOUSING, WHEEL BEARING	1
18	200160018	NUT, HEX LOCK	6
19	600892	SPACER, BEARING	1
20	140632	KEY, 1/4 X 1"	1
21	600873	SPINDLE, WHEEL WELDMENT	1
22	601148	BEARING	4

REF	PART #	DESCRIPTION	QTY.
23	600985	SPACER	2
24	606985	WHEEL, 10" REAR STEERING	2
25	140028	WASHER, 3/8 FLT	2
26	140333	WASHER, M10 SPLTLCK	2
27	140276	SCREW, M10X1.5X16	2
28	069767162	NUT, HEX	6
29	140024	WASHER, 1/2 LCK	6
30	606984	WHEEL, 12" DRIVE	2
31	600886	PLATE, BRAKE	2
32	140015	WASHER, 5/16 SPLTLCK	12
33	140275	SCREW, M8X1.25X16	12
34	140277	SCREW, M10X1.5X20	4
35	140333	WASHER, M10 SPLTLCK	4
36	605944	PLATE, TRANSAXLE RETAINER	2
37	600934	TRANSAXLE, W/MOTOR 36V	1
38	140277	SCREW, M10X1.5X20	4
39	140333	WASHER, M10 SPLTLCK	4
40	601984	BRACKET, SUPPORT FRONT	1
41	140823	SCREW, 10-24X5/8	3
42	140916	CLAMP, CABLE	3
43	140519	NUT, 10-24 KEP	3

CONTROL GROUP



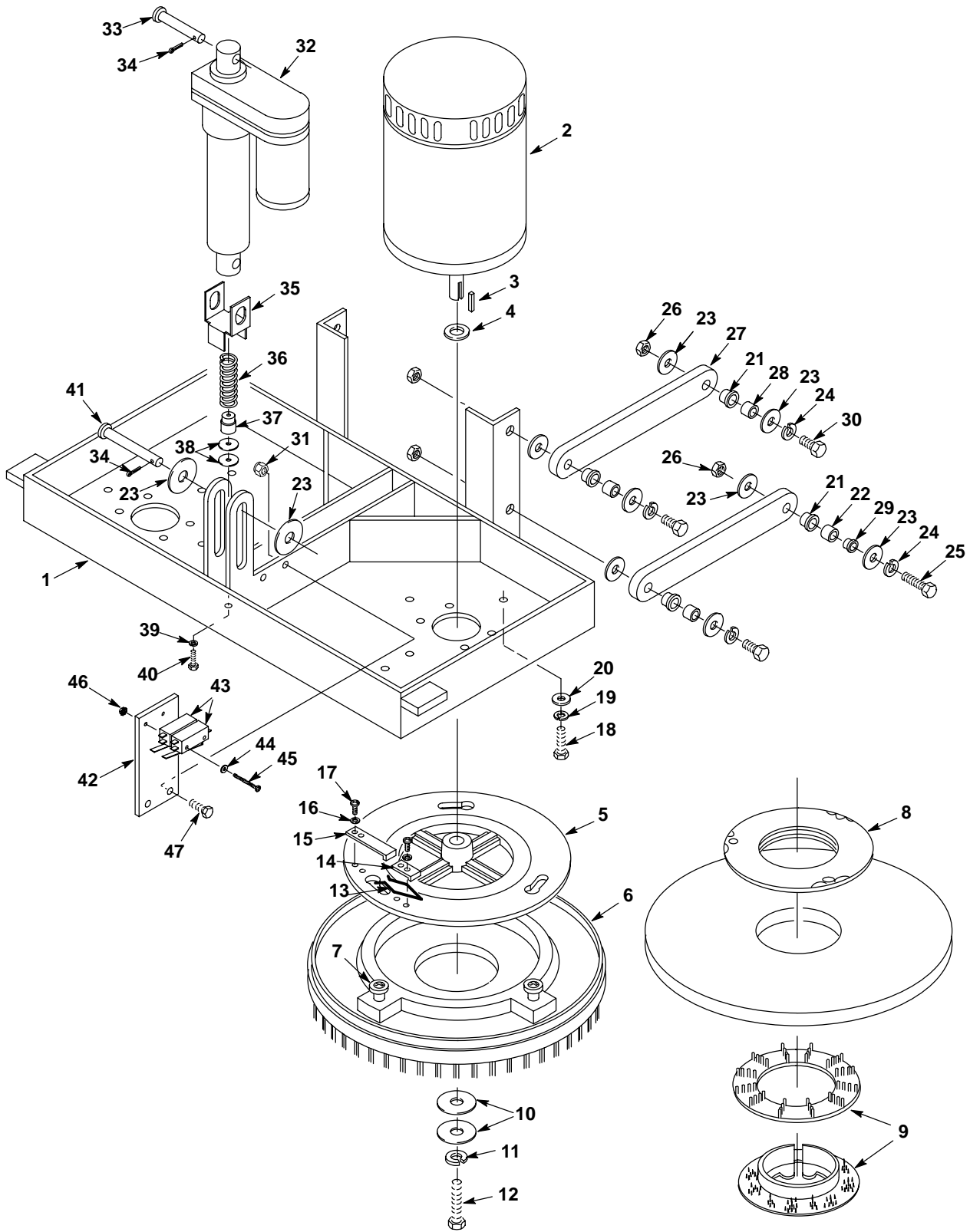
CONTROL GROUP

REF	PART #	DESCRIPTION	QTY.
1	600882	PEDAL, SPEED CONTROL	1
2	607827	PAD, NONSLIP SURFACE 1.38X2.75	6
3	140045	WASHER, 510X1.25X.06 FLT	3
4	140024	WASHER, 1/2 LCK	2
5	140292	SCREW, 1/2-13X3	1
6	607022	BUSHING .502X.624X2.060	1
7	600884	LIFT, WELDMENT BRAKE	1
8	26559	SPRING	1
9	140333	WASHER, M10 SPLTLCK	6
10	200031544	SCREW, 10X30	1
11	600906	ROD, BRAKE LINK LH THRD	2
12	600908	LINK, BRAKE ADJUSTER	2
13	140506	NUT, 5/16-18 HEX	2
14	600907	ROD, BRAKE LINK RH THRD	2
15	578421	PIN, COTTER	4
16	600935	BRAKE, ASM	2
17	600916	BRACKET, BRAKE MOUNT	2
18	140276	SCREW, M10X1.5X16	4
19	607023	BUSHING, .502X.624X1.056	1
20	140235	SCREW, 1/2-13X2	1
21	600883	PEDAL, BRAKE	1
22	140028	WASHER, 3/8 FLT	8

REF	PART #	DESCRIPTION	QTY.
23	200031552	SCREW, M10X1.5X55	1
24	579082	SPACER, .38X.50X1.00	1
25	604605	SPRING, TORSION 10#	1
26	604681	PEDAL, PARKING BRAKE	1
27	140285	NUT, HEX M10 X 1.5	1
28	600721	PAD, NON SLIP SURFACING	1
29	223094	●THROTTLE, ASM. ELECTRONIC	1
30	140018	WASHER, #10 INT	2
31	578141000	SCREW, M5X10	2
32	600927	ARM, THROTTLE CONTROL	1
33	200031436	SCREW, M6X1.0X16	1
34	600928	LINK, PEDAL CONTROL	1
35	140277	SCREW, M10X1.5X20	1
36	600929	BUSHING, .395X.499X.265	3
37	140525	NUT, 3/8-16 HEX	2
38	604495	SHAFT, THROTTLE CENTERING	1
39	140125	BEARING, BRUSH	1
40	607020	PLATE, THROTTLE CENTERING	1
41	578425	SPRING, EXT 0.63" 03.00 .063	1
42	140202	SCREW, 3/8-16X1	1
43	140515	NUT, 3/8-16 NYLCK	1

● RECOMMENDED STOCK ITEMS

PAD DRIVER GROUP



PAD DRIVER GROUP

REF	PART #	DESCRIPTION	QTY.
1	607409	BRACKET, BRUSH MOTOR MOUNT	1
∇2	069762432	●MOTOR, 36VDC .75HP, 320	2
▲	190970	●BRUSH, CARBON	4
▲	611283000	BRUSH, BOARD ASSY	1
3	140632	KEY, 1/4 X 1" (+.000/--.002)	2
4	621471	SPACER, .75X1.12	2
5	230672	PLATE, DRIVE	2
∇6	607824	●DRIVER, 17" PAD (PK/2)	1
▲7	240238	LUGS, W/SCREWS (SET OF 3)	2
▲8	100106	PLATE, PAD DRIVER BASE	2
▲9	100107	RING, PAD RETAINER SNAP-IN	2
10	25732	WASHER, 1.25X.359X.093 FLT ZN	4
11	140015	WASHER, 5/16 SPLTLCK	2
12	140219	SCREW, 5/16-18X1	2
13	140417	CLIP, SPRING	2
14	230651	CLAMP, BRUSH PLATE	2
15	230697	STOP, DRIVER RELEASE	2
16	140018	WASHER, #10 INT	8
17	140887	SCREW, 10-24X3/8	8
18	140554	SCREW, 1/4-20X3/4	8
19	140016	WASHER, 1/4 LCK	8
20	140000	WASHER, 1/4 FLT	8
21	607451	BEARING, FLANGE	8
22	607826	BUSHING, .503X.624X.933	2
23	140045	WASHER, .510X1.25X.06 FLT	18
24	140024	WASHER, 1/2 LCK	8
25	140235	SCREW, 1/2-13X2	2
26	140509	NUT, 1/2-13 HXJM	8

REF	PART #	DESCRIPTION	QTY.
27	600919	ARM, HEAD PIVOT	4
28	140137	BUSHING, .499IDX.624ODX.53LG	6
29	600923	BEARING	2
30	140204	SCREW, 1/2-13X1-1/2	6
31	140284	NUT M6X1.0 NYLCK	2
32	069762436	●ACTUATOR, 36VDC	1
33	630448	PIN, CLEVIS 1/2DIA X2-1/4	1
34	578421	PIN, COTTER, .12"X1.00"LG	2
35	607990	BRACKET, PRESSURE SPRING	1
36	600957	SPRING, COMPRESSION	1
37	607038	RETAINER, PRESSURE SPRING	1
38	25732	WASHER, 1.25X.359X.093 FLT	2
39	140016	WASHER, 1/4 LCK	1
40	140554	SCREW, 1/4-20X3/4	1
41	607828	PIN, CLEVIS 1/2DIA X3-1/2	1
42	607823	PLATE, LIMIT SWITCH MOUNT	1
43	069764009	●SWITCH, SNAP-LEVER 25A	2
44	140032	WASHER, #6 FLT	2
45	140757	SCREW 6-32X2-1/4	2
46	140539	NUT, 6-32 KEP	2
47	200031441	SCREW, M6X1.0X25	2
N/S	240237	BRUSH, 17" DYNASCRUB (PK/2) OPTIONAL	1
N/S	240230	BRUSH, 17" POLYSCRUB (PK/2) OPTIONAL	1
N/S	240241	BRUSH, 17" STRATA GRIT SCRUB/STRIP (PK/2) OPTIONAL	1

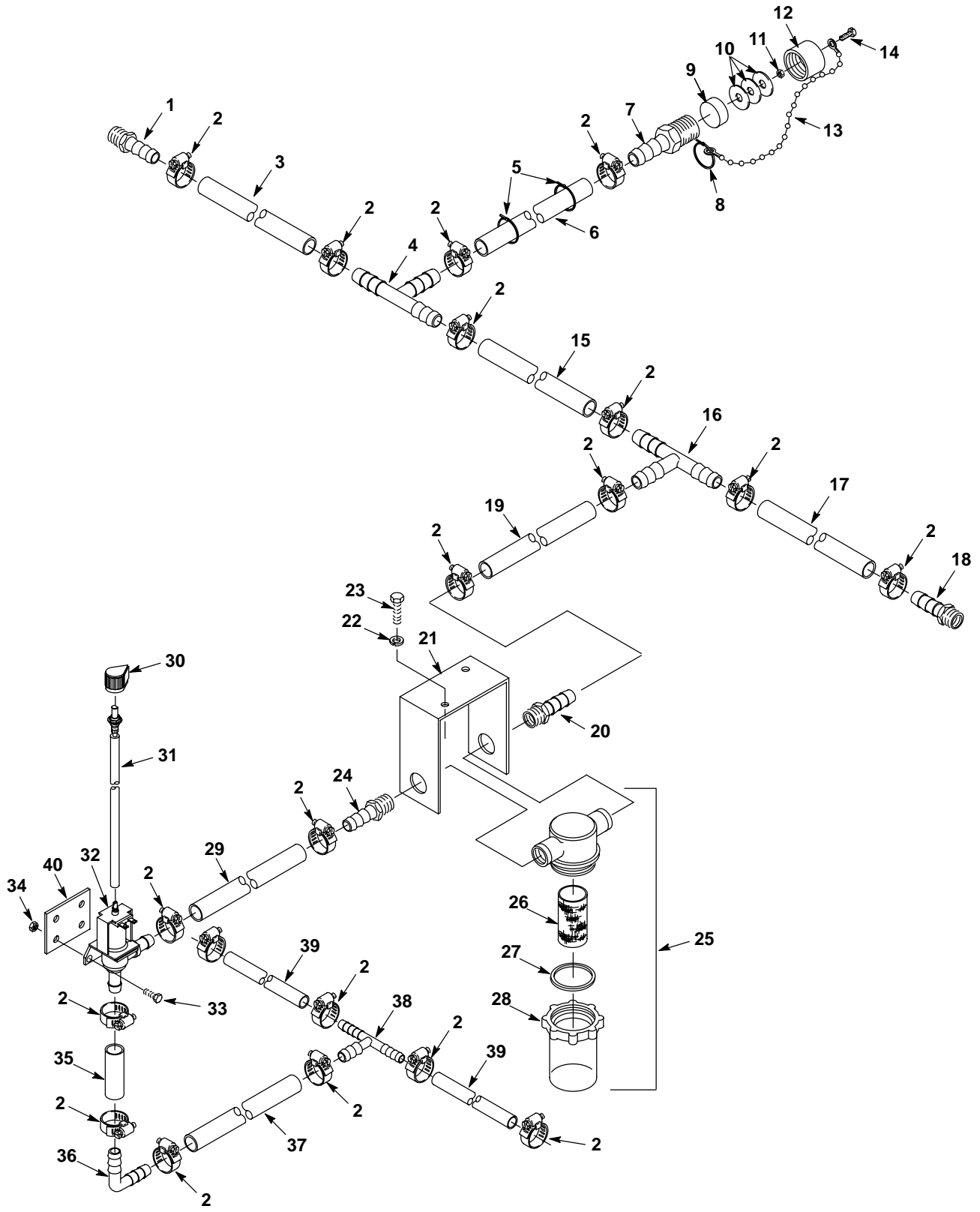
∇ ASSEMBLY

▲ INCLUDED IN ASSEMBLY

● RECOMMENDED STOCK ITEMS

N/S NOT SHOWN

SOLUTION GROUP



SOLUTION GROUP

REF	PART #	DESCRIPTION	QTY.
1	612146000	FITTING, 3/4M X 3/4H	1
2	140310	CLAMP, HOSE 5/16-7/8	20
3	160229	TUBING VINYL 3/4 ID X 1"OD	.40ft
4	607831	FITTING, 3/4H TEE BARB	1
5	130041	WIRE TIE, NYLON 11-1/2 X .190	2
6	160229	TUBING, VINYL 3/4 ID X 1"OD	4.0ft
7	612146000	FITTING, 3/4M X 3/4H	1
8	130041	WIRE TIE, NYLON 11-1/2 X .190	1
9	612145000	SEAL, DRAIN CAP	1
10	601076000	WASHER, FLAT PLASTIC	3
11	200160014	NUT, M4 HXLCK	1
12	612158000	CAP, 0.75"NPT PLASTIC W/HOLE	1
13	621443	CHAIN, DRAIN PLUG	1
14	200055343	SCREW, M4X.7X12	1
15	160229	TUBING VINYL 3/4 ID X 1"OD	.40ft
16	607831	FITTING, 3/4H TEE BARB	1
17	160229	TUBING VINYL 3/4 ID X 1"OD	.64ft
18	612146000	FITTING, 3/4M X 3/4H	1
19	160229	TUBING VINYL 3/4 ID X 1"OD	.75ft
20	607832	FITTING, 3/8MPT X 3/4H	1

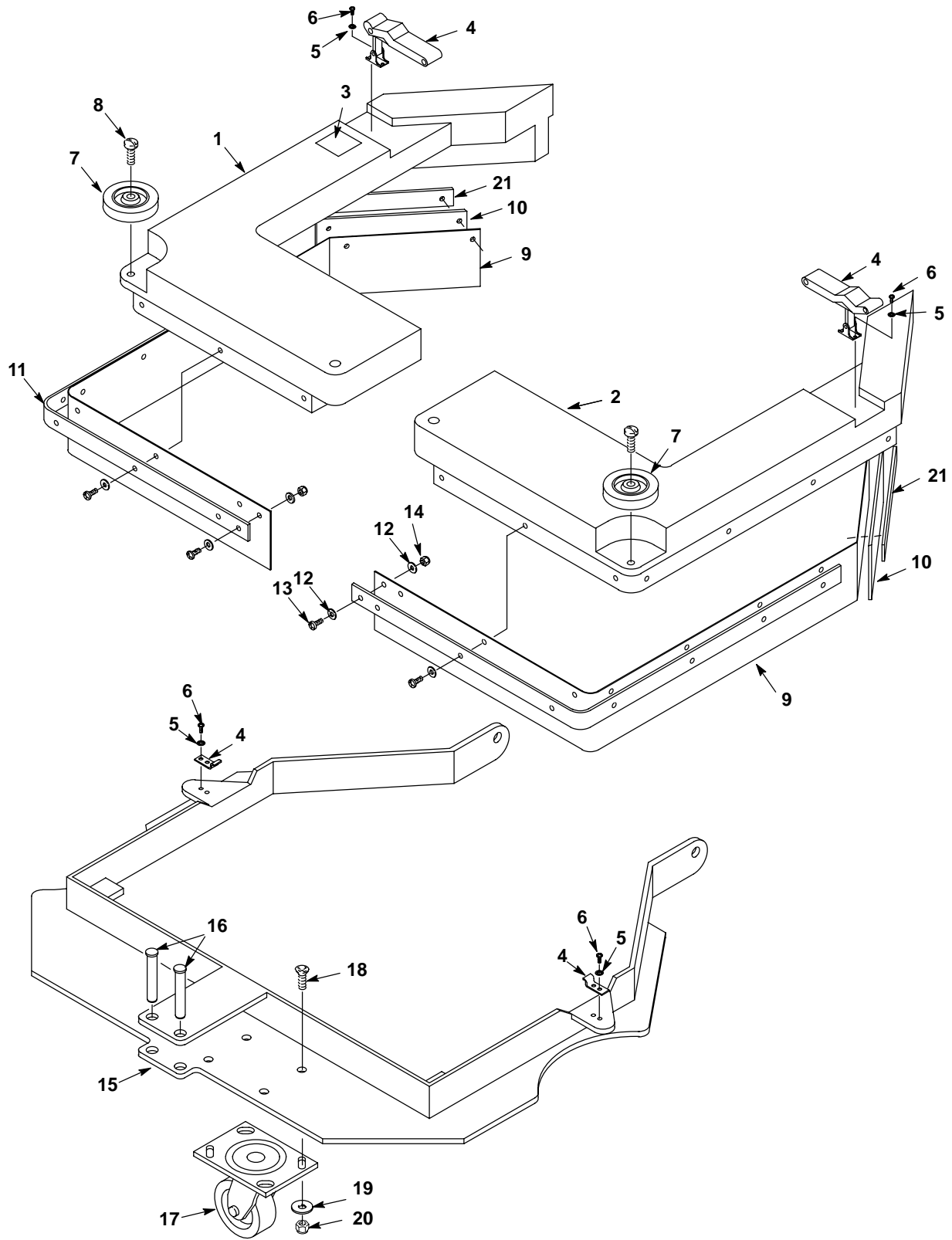
REF	PART #	DESCRIPTION	QTY.
21	607075	BRACKET, FILTER MOUNT	1
22	140016	WASHER, 1/4 LCK	2
23	200031436	SCREW, M6X1.0X16	2
24	14884	FITTING, 3/8MX1/2H BARB	1
∇25	180615	STRAINER, INLINE CLEAR BOWL	1
▲26	180616	SCREEN, REGULAR 80 MESH S/S	1
▲27	180617	GASKET, VITON	1
▲28	602000	BOWL, CLEAR	1
29	069764611	HOSE, CLEAR 1/2"ID X 15.44"	1
30	626121	KNOB, WATER VALVE	1
31	607406	CABLE, SOLUTION CONTROL	1
32	626100	●VALVE, LIQUID	1
33	200031436	SCREW, M6X1.0X16	2
34	140284	NUT, M6X1.0 NYLCK	2
35	606225	HOSE, 1/2ID X 1.79"	1
36	604317	ELBOW, 1/2"HB X 1/2"HB 90 DEG	1
37	578822000	HOSE, 1/2" ID X 16.84"	1
38	612149000	FITTING, 3/8HX3/8HX1/2H TEE	1
39	606667	HOSE, 3/8" ID X 10"	2
40	607822	PLATE, SOLUTION VALVE MOUNT	1

∇ ASSEMBLY

▲ INCLUDED IN ASSEMBLY

● RECOMMENDED STOCK ITEMS

SKIRT GROUP



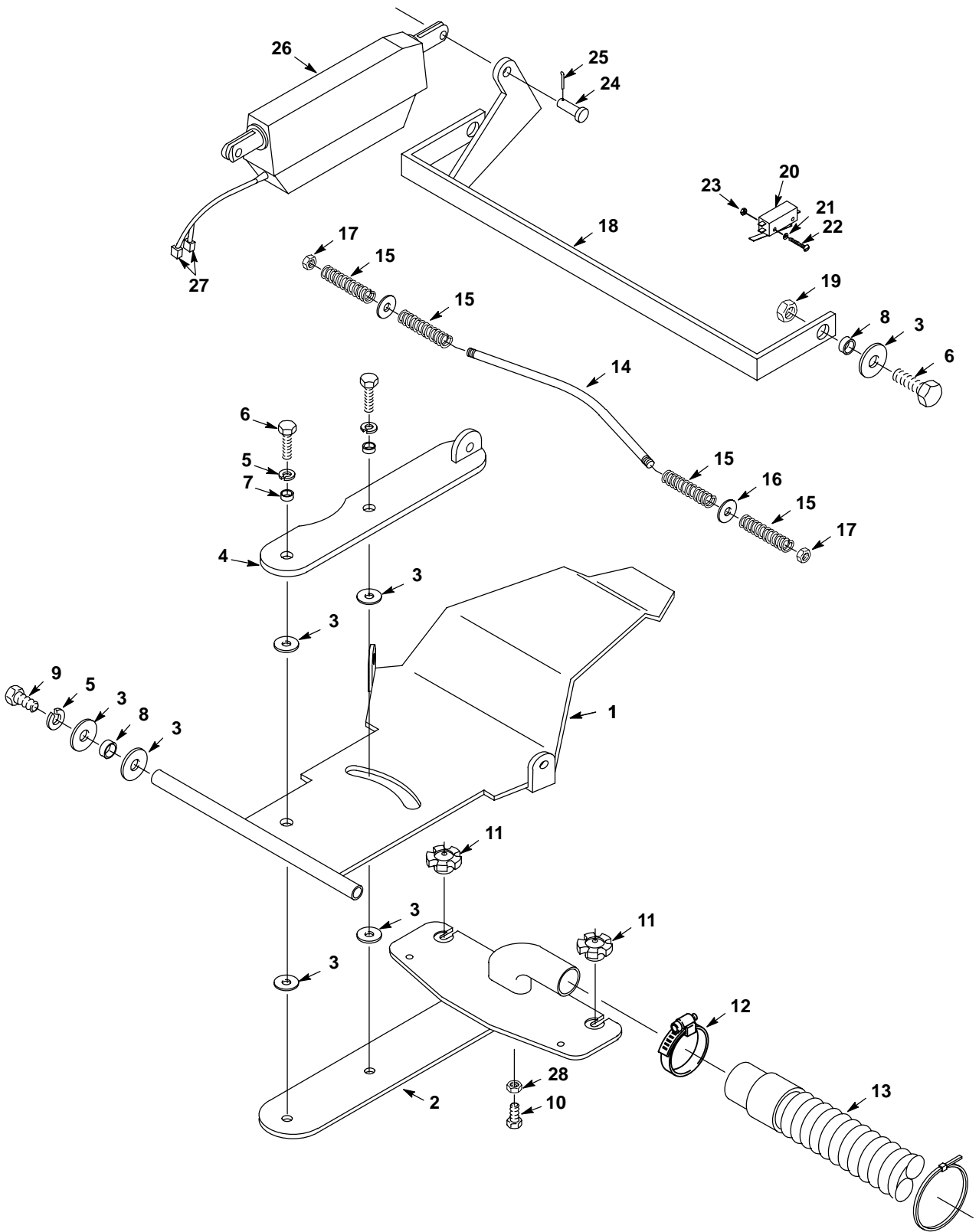
SKIRT GROUP

REF	PART #	DESCRIPTION	QTY.
1	607008	SKIRT, HSG RGHT	1
2	607007	SKIRT, HSG LEFT	1
3	607989	DECAL, NO STEP SYMBOL	1
4	140932	●LATCH, HOOD RUBBER AND KEEPER	2
5	140023	WASHER, #8 INT	8
6	200070340	SCREW, M4X.7X8	8
7	630450	WHEEL, RUBBER	2
8	603154	SCREW, M8X1.25X40	2
9	607407	SPLASH GUARD, SKIRT	2
10	600911	BLADE, SKIRT SQUEEGEE	2
11	607408	STRAP, SPLASH GUARD	2

REF	PART #	DESCRIPTION	QTY.
12	140007	WASHER, #8 FLT	22
13	579237	SCREW, M4X.7X12 PANPHL	20
14	200633014	NUT, M4X.7 HEX	2
15	607004	FRAME, SKIRT SUPPORT	1
16	230943	●PIN, SKIRT	2
17	630002	CASTER, 4"DIA, 1-3/8"W	1
18	140861	SCREW, 1/4-20X1 FLTPHL	4
19	140053	WASHER, 9/32X7/8X1/8	4
20	140501	NUT, 1/4-20 NYLK	4
21	607830	STRAP, SPLASH GUARD REAR	2

● RECOMMENDED STOCK ITEMS

SQUEEGEE CONTROL GROUP



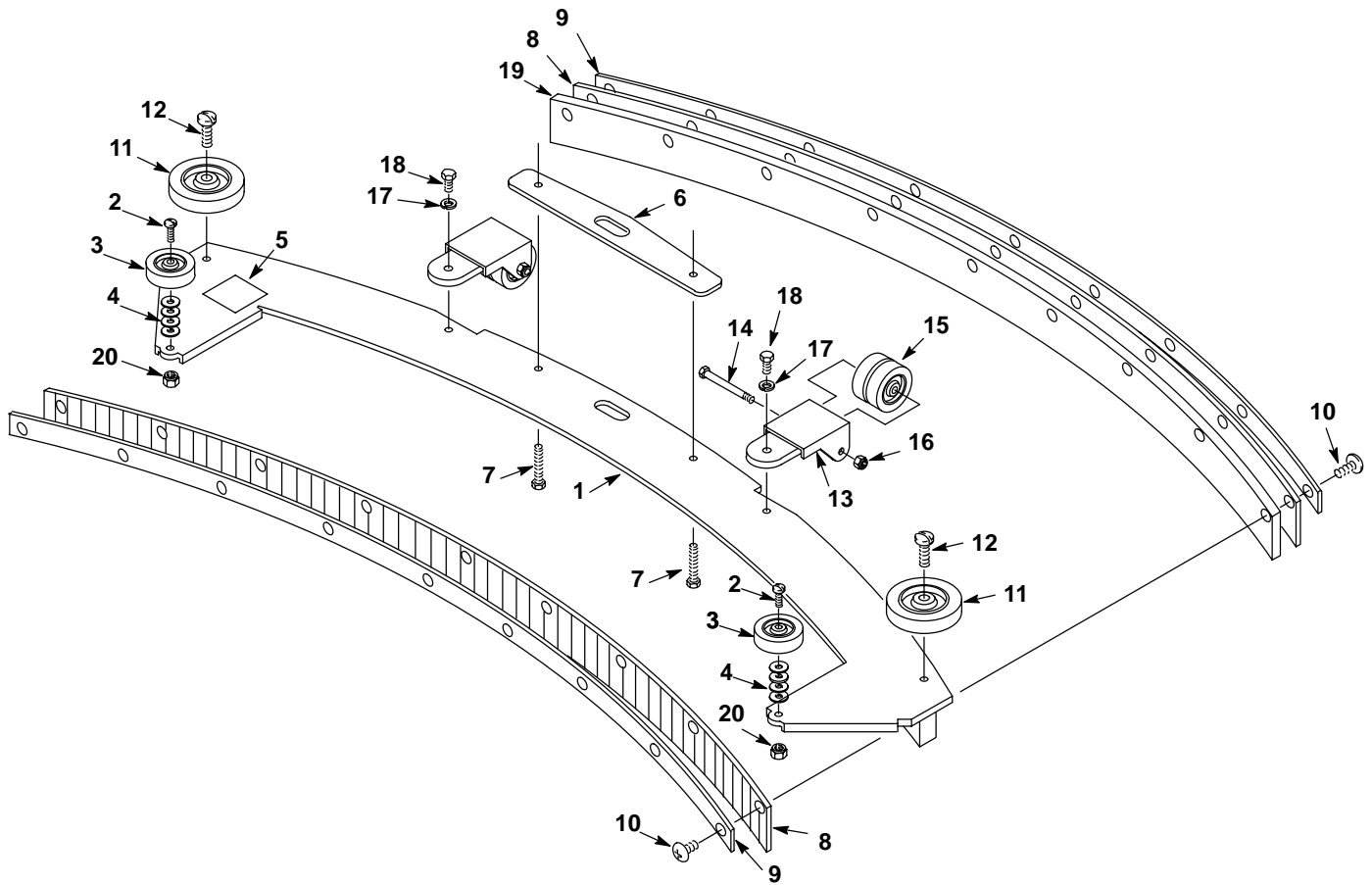
SQUEEGEE CONTROL GROUP

REF	PART #	DESCRIPTION	QTY.
1	600879	PLATE, SQUEEGEE PIVOT	1
2	605928	BRACKET, SQUEEGEE MOUNT	1
3	140045	WASHER, .510X1.25X.06 FLT	10
4	607125	BRACKET, CENTERING ROD	1
5	140024	WASHER, 1/2 LCK	4
6	140204	SCREW, 1/2-13X1-1/2	4
7	140139	BUSHING, BRUSH LIFT PEDAL	2
8	140137	BUSHING, .499IDX.624ODX.53LG	4
9	140237	SCREW, 1/2-13X1	2
10	140201	SCREW, 3/8-16X3/4	1
11	605361	●KNOB, 5/16-18 THREAD BLACK	2
12	140308	CLAMP, HOSE 1-5/16 TO 2-1/4	1
13	603259	●HOSE, 1.5X50" 90DEG CUFF	1
14	607123	ROD, SQ CENTERING	1

● RECOMMENDED STOCK ITEMS

REF	PART #	DESCRIPTION	QTY.
15	607124	SPRING, COMP	4
16	140028	WASHER, 3/8 FLT	2
17	140525	NUT, 3/8-16 HEX	2
18	600874	BRACKET, SQUEEGEE LIFT	1
19	140509	NUT, 1/2-13 HXJM	2
20	069764009	●SWITCH, SNAP-LEVER	1
21	140032	WASHER, #6 FLT	2
22	607398	SCREW, #6-32 X 1.25"	2
23	140539	NUT, 6-32 KEP	2
24	604076	PIN, CLEVIS	2
25	578421	PIN, COTTER	2
26	600952	●ACTUATOR, 24VDC	1
27	130133	TERMINAL, ML DSCNT RED	2
28	140545	NUT, 3/8-16 FINISH JAM	1

SQUEEGEE GROUP



SQUEEGEE GROUP

REF	PART #	DESCRIPTION	QTY.
1	607117	SQUEEGEE CHANNEL	1
2	630480	SCREW, 5/16DIAX1-1/4	2
3	579184	WHEEL, RUBBER	2
4	140027	WASHER, 5/16 FLT	8
5	607989	DECAL, NO STEP SYMBOL	1
6	607122	●GASKET, SQ CHANNEL	1
7	140221	SCREW, 5/16-18X1-1/4 HXHD	2
8	607120	●BLADE, SQ FRONT & BACKING	2
9	607121	PLATE, SQ BLADE RETAINER	2
11	630450	WHEEL, RUBBER	2

REF	PART #	DESCRIPTION	QTY.
12	140799	SCREW, 5/16-18X1-1/2	2
13	607118	BRACKET, SQ ROLLER WHEELS	2
14	600349	SCREW, 5/16-18X2-3/4	2
15	579184	●WHEEL, RUBBER	4
16	140546	NUT, 5/16-18 NYLK	2
17	140015	WASHER, 5/16 SPLTLCK	2
18	140223	SCREW, 5/16-18X3/4	2
19	607119	●BLADE, SQ WIPING GUM RUBBER	1
20	140510	NUT, 1/4-20	2

● RECOMMENDED STOCK ITEMS

PARTS LIST

PART NUMBER TO PAGE NUMBER CROSS REFERENCE LIST

Part Number	Page Number	Part Number	Page Number	Part Number	Page Number	Part Number	Page Number
0174..10	33	140268	39	200031544	43	579237	49
069760096	27	140275	27, 33, 35, 41	200031552	43	582150	31
069762432	45	140276	39, 41, 43	200055343	47	600009	33
069762436	45	140277	39, 41, 43	20007034	27	600349	53
069764009	45	140284	27, 31, 45, 47	200070340	49	600437	27
069764009	51	140285	43	200102019	39	600666	39
069764608	27	140292	43	200160014	47	600721	43
069764611	47	140308	33, 51	200160017	35	600832	29
069767162	41	140310	47	200160018	39, 41	600857	27
100058	31	140314	27	200607491	27	600859	27
100106	45	140333	39, 41, 43	200630262	27	600863	33
100107	45	140417	45	200633014	49	600864	39, 41
101714	33	140501	49	210240	33	600865	35
120649	35	140506	31, 35, 37, 43	222793	33	600869	35
130009	39	140509	27, 39, 45, 51	223061	39	600871	33
130041	33, 47	140510	53	223065	39	600872	33
130096	33	140515	39, 41, 43	223072	39	600873	41
130133	51	140519	41	223075	39	600874	51
130413	33	140525	43, 51	223077	35	600877	33
130733	31	140539	31, 45, 51	223078	35	600879	51
130737	31	140545	39, 51	223094	43	600881	27
140000	27, 33, 31, 45	140546	53	230651	45	600882	43
140007	27, 49	140553	31	230672	45	600883	43
140015	27, 31, 33, 35, 41, 45, 53	140554	45	230697	45	600884	43
140016	27, 31, 33, 45, 47	140594	35	230943	49	600885	39
140018	39, 43, 45	140628	39	240021	39	600886	41
140019	27	140632	39, 41, 45	240071	39	600889	41
140023	27, 49	140756	29	240230	45	600892	41
140024	35, 39, 41, 43, 45, 51	140757	45	240237	45	600893	39
140027	27, 31, 33, 35, 41, 53	140799	53	240238	45	600894	39
140028	39, 41, 43, 51	140809	29	240241	45	600896	39
140032	27, 33, 45, 51	140823	41	25732	45	600897	39
140045	39, 41, 43, 45, 51	140829	31	25732	45	600898	39
140053	49	140861	49	26559	43	600906	43
140056	39	140872	27, 33	360369	35	600907	43
140123	39	140887	45	360370	35	600908	43
140125	43	140916	41	369702	31	600909	41
140137	39, 45, 51	140932	49	573073	41	600911	49
140139	51	140960	33	575029000	27, 31	600915	27
140195	31	14884	47	578141000	43	600916	43
140201	51	160229	47	578187000	27, 29, 31	600919	45
140202	43	180613	33	578321000	31	600923	45
140204	27, 35, 39, 45, 51	180615	47	578403000	27	600924	39
140212	33	180616	47	578421	45	600927	43
140219	35, 45	180617	47	578421	27, 43, 51	600928	43
140221	53	190162	33	578425	43	600929	43
140223	53	190970	45	578427	31	600930	39
140234	39	200031436	47	578441	33	600934	41
140235	43, 45	200031436	27, 43, 47	578822000	47	600935	43
140237	51	200031441	33, 45	579082	43	600951	41
140256	41	200031444	27	579184	53	600952	51
		200031541	39, 41	579211	27	600956	31

Part Number	Page Number	Part Number	Page Number	Part Number	Page Number
600957	45	607035	27	607836	31
600958	27	607036	27	607837	39
600985	41	607037	27	607838	39
600993	27	607038	45	607842	35
601076000	47	607039	35	607921	29
601127000	27	607040	39	607922	31
601148	41	607069	31	607977	29
601359	27	607070	27	607989	49, 53
601461	31	607071	39	607990	45
601733	37	607072	33	608184	27
601975	27	607074	29	611117000	37
601977	27	607075	47	611148000	29
601978	27	607076	29	611157000	31
601979	27	607104	29	611226000	29
601980	27	607106	29, 31	611283000	45
601981	27	607117	53	612145000	47
601984	41	607118	53	612146000	47
602000	47	607119	53	612149000	47
602004	37	607120	53	612158000	47
602951	31	607121	53	612462	29
603154	49	607122	53	621324	33
603259	33, 51	607123	51	621443	47
603399	29	607124	51	621471	45
603440	27	607125	51	626100	47
603839	31	607130	33	626114	29
604076	51	607131	27	626121	29, 47
604317	47	607132	27	626128	29
604495	43	607136	27	630002	49
604605	43	607141	27	630055	33
604681	43	607398	51	630056	33
605079	27	607401	31, 37	630068	33
605361	51	607402	31, 37	630097	29
605928	51	607403	33	630100	29
605943	39	607404	27, 35	630143	29
605944	41	607405	27	630367	33
606088	33	607406	29, 47	630394	33
606105	31	607407	49	630420	33, 35
606225	47	607408	49	630448	45
606404	31	607409	45	630450	27, 49, 53
606426	39	607451	45	630452	29
606550	29	607822	47	630476	35
606667	47	607823	45	630480	53
606780	31	607824	45		
606984	41	607825	27		
606985	41	607826	45		
607004	49	607827	43		
607007	49	607828	45		
607008	49	607830	49		
607020	43	607831	47		
607022	43	607832	47		
607023	43	607833	41		
607033	27	607834	35		
607034	27	607835	35		