

# Eagle Power



## COMMERCIAL 14" and 16" UPRIGHT VACUUM

### OPERATIONS & PARTS MANUAL

**If you observe the recommendations listed below, this will ensure maximum performance by the appliance, the longest possible life and a high level of safety.**

- Do not clean the appliance with solvents - the body and accessories are in plastic and, therefore, may get damaged.
- Never immerse the appliance in water.
- Do not clean the appliance in water.
- Do not leave the appliance unattended while it is running.
- Never put the appliance near to heat sources.
- Remove the power plug from the power socket after each use of the appliance.
- If the power lead and power socket are damaged, replace them immediately at an authorized service center.
- Do not use the appliance as a liquid-suction device.
- Before every maintenance or replacement job, remove the appliance's power plug from the power socket.
- Do not suck in lighted cigarette ends or flammable materials.
- Remove the plug by pulling the plug body and not the power lead.
- Strictly use original dust-bags and filters.

**NOTE**

**The manufacturer reserves the right to make any modifications without prior notice.**

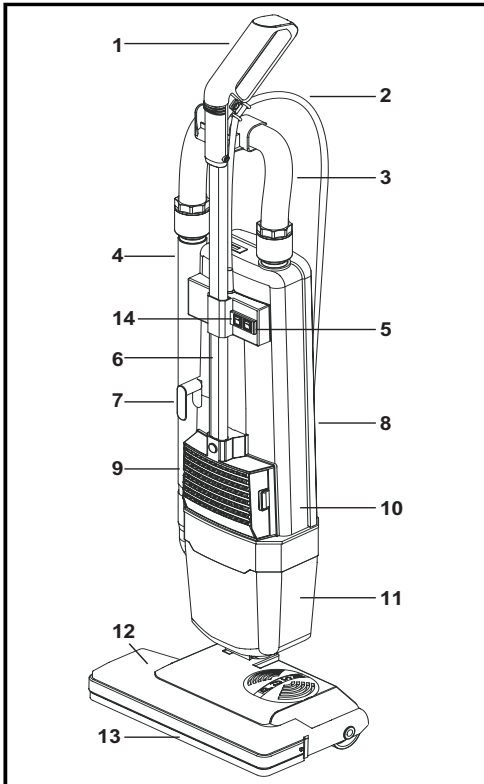


**IMPORTANT!!**

Before attempting any maintenance job, always remove the power plug.

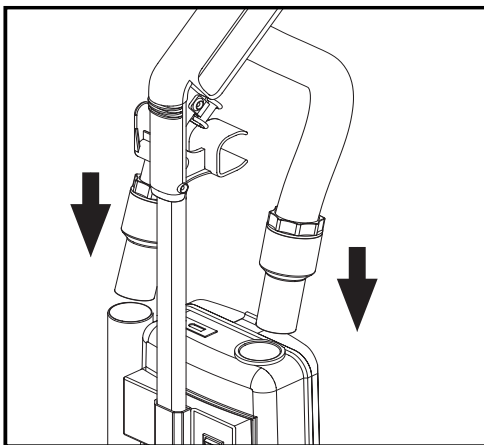
For all maintenance jobs, always contact our authorised service centers.

## SYSTEM START-UP



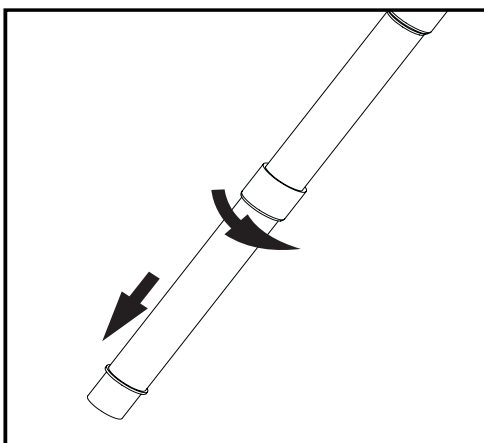
### COMMERCIAL

- 1 Ergonomic handle
- 2 Power cord
- 3 Hose
- 4 Telescoping extension
- 5 Switch
- 6 Carrying handle
- 7 Cord winding device
- 8 Cover
- 9 Vent grid
- 10 Container
- 11 Engine housing
- 12 Electric brush
- 13 Base
- 14 Hi/Low vac motor switch



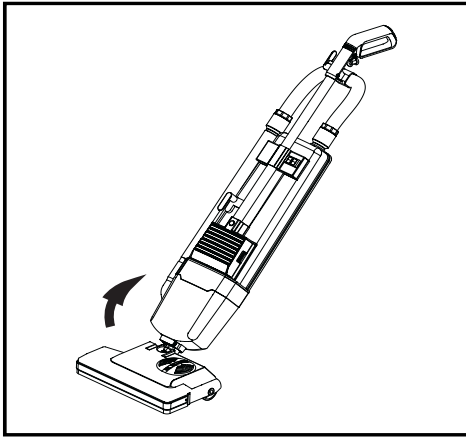
### CONNECTING THE HOSE

Insert the rotating sleeve into the bag-holding sleeve, insert the second rotating sleeve into the telescoping element, and hook the hose to the handle.



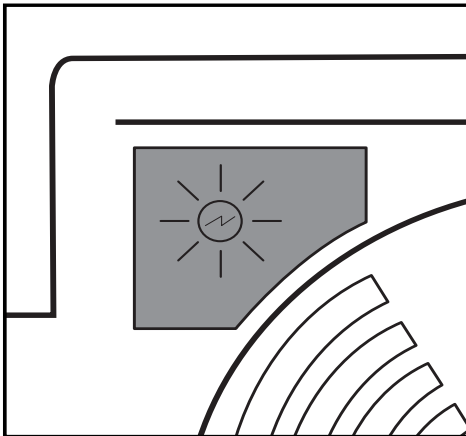
### OPERATING THE TELESCOPING EXTENSION

Extend the telescoping extension by pulling it; block it by turning the dedicated ring nut counter-clockwise.



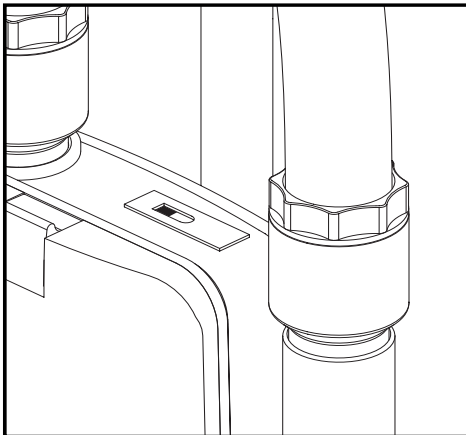
### STARTING THE BRUSH

Put your foot on the PUSH sign and tilt the vacuum-cleaner body.



### CHECKING THE BRUSH

The brush-checking device continuously monitors the operation of the brush:  
Green light: the brush is working correctly  
Red light: the brush is either blocked or it is undergoing excessive stress.  
Turn the machine off, detach the plug from the mains, and look for the cause of the blocking.



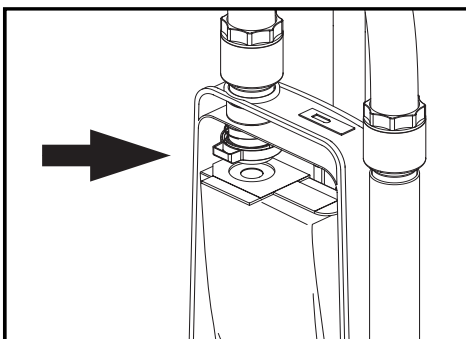
### FILTER FULL INDICATOR

If the “bag full” gauge turns red, please verify:

- whether the dust bag is full, or
  - whether the brush is clogged, or
  - whether the vacuuming hose is clogged;
- in these cases, remove the obstruction
- whether the Hepa filter is fully clogged.

It is normal that during vacuuming the “bag full” gauge partially turns red, because the hose is closed.

## MAINTENANCE

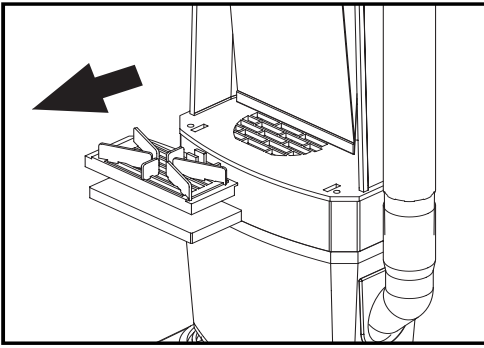


### REPLACING THE FILTER BAG

Remove the cover.

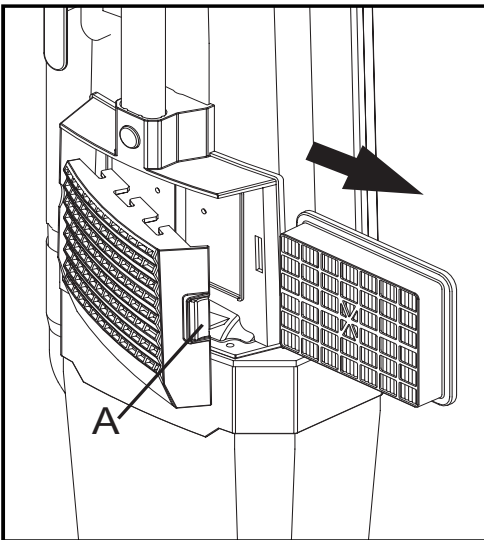
Place the dust bag into the container, by inserting the bag-holding sleeve into the dust bag hole and by pushing the safety ring all the way in.

If the filter bag is not placed correctly, closing the cover will be impossible.



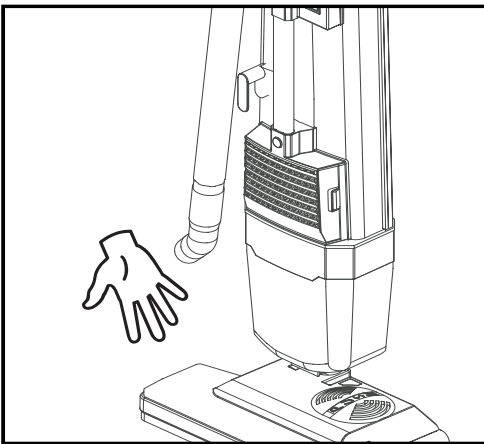
### REPLACING THE FILTER

Pull out the filter holder and replace the filter, or clean it by tapping it lightly (replace it approximately every 20 bags).



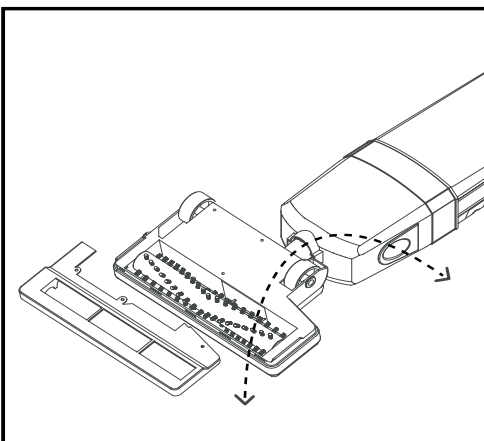
### REPLACING THE HEPA FILTER; REPLACING OR CLEANING THE PRE-FILTER

Pull latch "A" in order to unhook the vent grid; at the same time, slide it (in the direction shown by the arrow) so that it comes free. The pre-filter is housed in the air exhaust under the Hepa filter. Replace the pre-filter or clean it, by washing it with water; dry it and carefully replace it in its housing. Assemble the Hepa filter and the vent grid again, by sliding it all the way in until you hear the latch snapping into place.



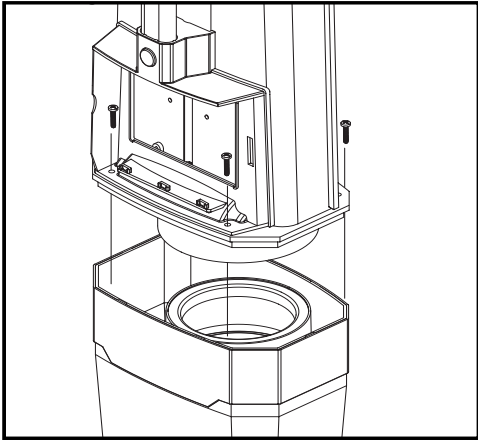
### REMOVING CLOGGING DEBRIS FROM THE OUTER DUCT

Any material clogging the duct can be removed by extracting the telescoping extension from its seat, operating the vacuuming function, and intermittently opening and closing the vacuuming by hand. Do not insert objects into the duct in order to remove any clogging.

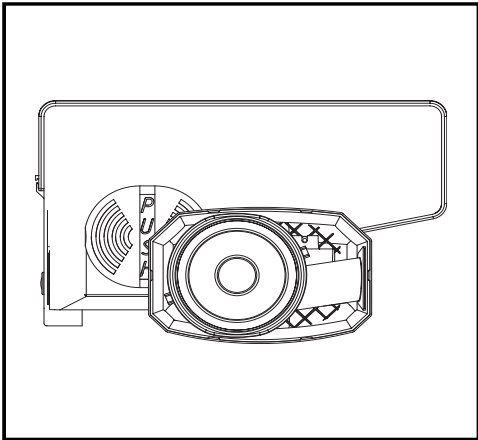


### REMOVING CLOGGING DEBRIS FROM THE INNER DUCT

Lay the vacuuming body down horizontally, flush with the electric brush. Unscrew the base screws, remove the base. Remove any clogging material from the duct by using a flexible cleaning rod.

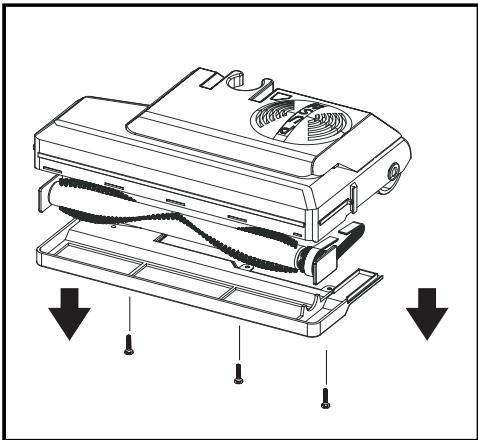


In order to disassemble the vac motor housing, remove the dust bag cover, unhook the vent grid and unscrew the four screws from the shell.



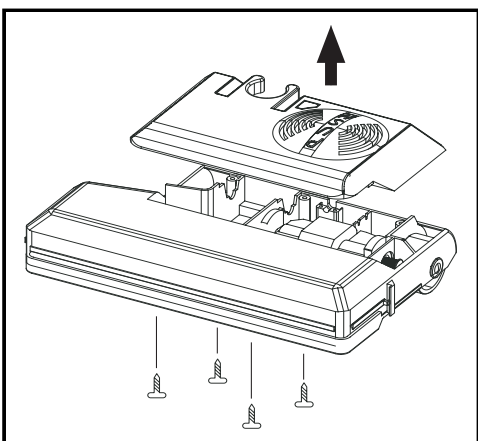
### **INSTALLING THE VAC MOTOR**

Place the rubber block of the engine holder onto its dedicated, oriented supporting element. Place the engine over it, rotating it until you find the correct joint into its seat. Install the first grommet ring on the engine, then the spacer, and finally the second grommet ring.



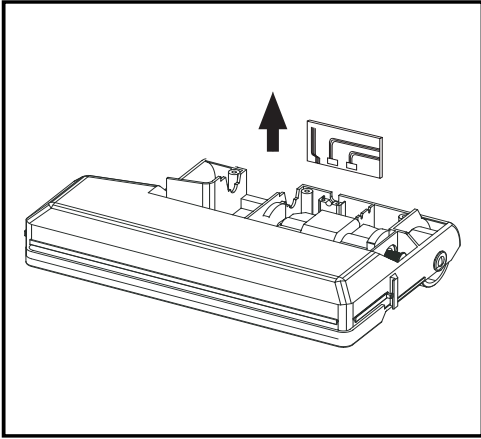
### **REPLACING THE ROLLER**

Unscrew the base screws, remove the base, and remove the roller by sliding the holders off. Insert the roller, paying attention to the correct installation of both the roller holders into their seats and of the belt, keeping it in the guide on the engine pulley first and then on the roller pulley. Reassemble the base.



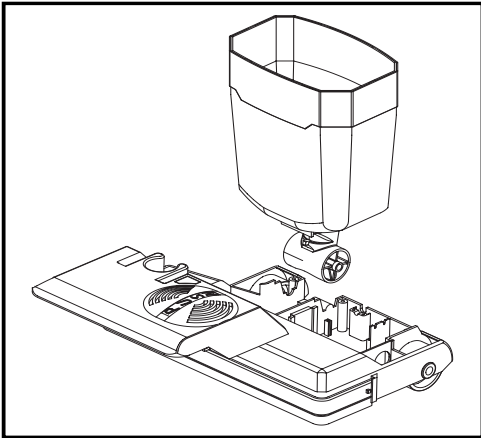
### **REMOVING THE ELECTRIC BRUSH COVER**

Unscrew the screws from the bottom and remove the cover.



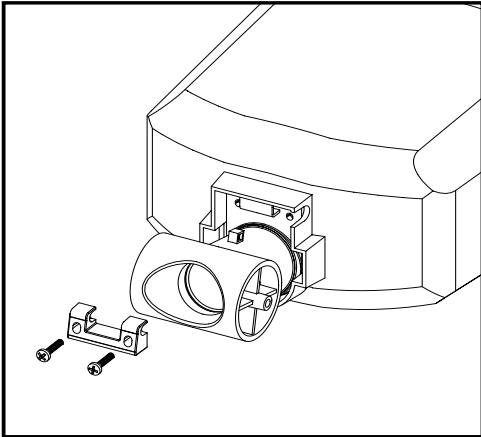
### **REPLACING THE ELECTRONIC BOARD**

Slide the board off the guides and detach the connection.  
Disconnect the supply wires from the terminal and replace the board.



### **DISASSEMBLING THE JOINT**

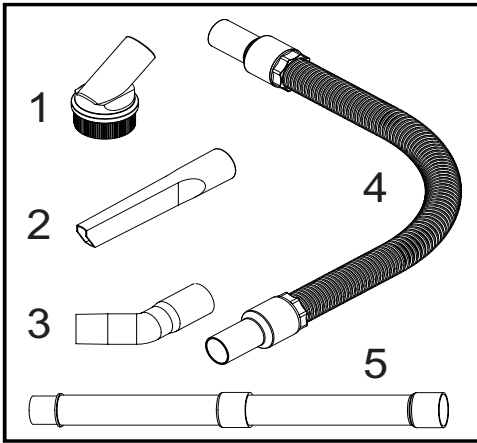
Unscrew the case screws.  
Lift the cover and free the joint.  
Unscrew the cable-holder screws from the vacuuming device.  
Slide the joint off.  
Unscrew the cable-holder screws from the electric brush and free the board wires.  
Slide the joint off the cable.



### **IMPORTANT!!**

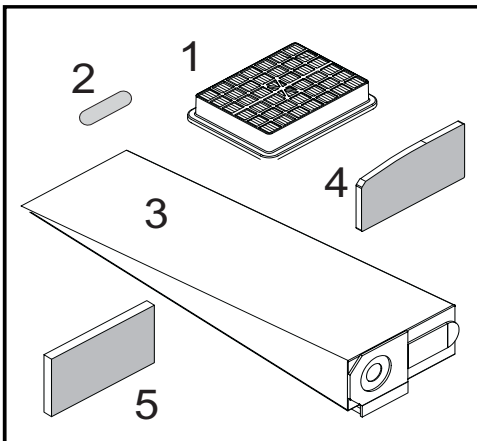
Before attempting any maintenance job, always detach the power plug from the mains.

For all maintenance jobs, always contact our authorized service center.



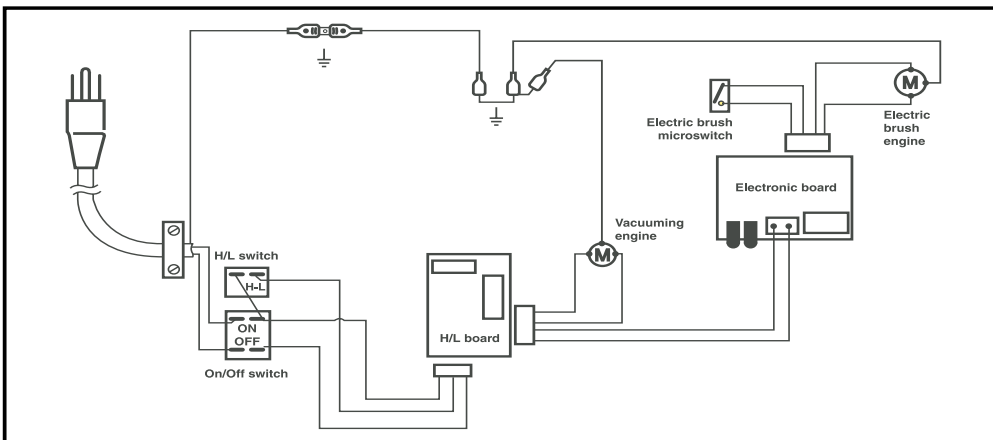
### ACCESSORIES PROVIDED

- 1 - Small brush
- 2 - Crevice tool
- 3 - Curved sleeve
- 4 - Hose
- 5 - Telescoping extension



### SPARE PARTS

- 1 - Hepa filter
- 2 - Air freshener
- 3 - Filter bag
- 4 - Filter
- 5 - Pre-filter



### ELECTRIC DIAGRAM

Caution!  
Any job involving the electric plant must be carried out only by qualified personnel.

### SPECIFICATION

*Vacuum motor power*

*Brush motor power*

*Dust bag capacity*

*Working surface*

*Weight*

*Noisiness level (at operator ear)*

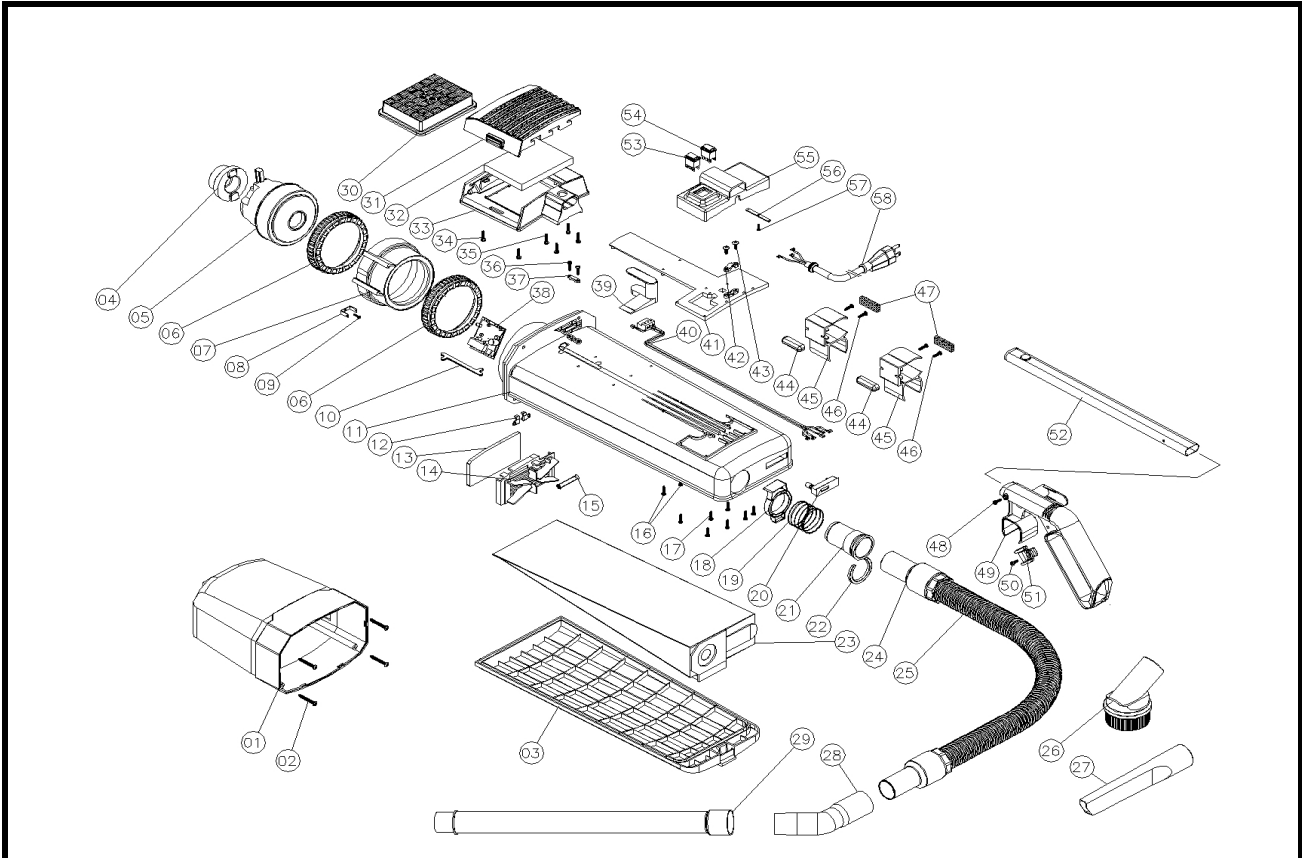
*Voltage*

*Electronic card, motor blocking*

	14"	16"
Vacuum motor power	1000 W	1000 W
Brush motor power	150 W	150 W
Dust bag capacity	6,5 l	6,5 l
Working surface	350 mm	400 mm
Weight	6,94 Kg	7,04 Kg
Noisiness level (at operator ear)	min 67,25 dBA / max 69,75 dBA	
Voltage	120 Volt / 60 Hz	
Electronic card, motor blocking	Provided	Provided

The manufacturer reserves the right to make any modification without prior notice.  
Specifications subject to change without notice.  
EAGLE POWER PRODUCTS GROUP - ph. 1-800-486-2775





### COMMERCIAL 14 & 16 VACUUM ASSEMBLY

Reference Number	Part Number	Description	Qty
1	VCSA1GUV0	HOUSING, VACUUM	1
2	USE KIT VC2000	SCREW	4
3	VCSA1PORTBBU**	BACK COVER, COMPLETE W/GASKET	1
4/7	VCSA3MAWCC**	MOTOR, VACUUM, COMPLETE	1
8	VCA8LAMO	CLIP, BRASS	1
9	USE KIT VC2000	SCREW	1
10+11	VCA1CWEGC	COVER, UPPER, LIGHT GRAY	1
12	VCA1TAPDX	RIGHT INSERT, BACK COVER	1
12	VCA1TAPSX	LEFT INSERT, BACK COVER	1
13	VCA7FIP**	FILTER, INNER	1
14	VCA1VP**	FILTER HOLDER, INNER, RED	1
15	VCA3PF**	AIR FRESHENER STICK	1
16	USE KIT VC2000	SCREW	2
17	USE KIT VC2000	SCREW	7
18	VCA1SICS	NO BAG SAFETY LOCK OUT RING	1
19	VCA8MOSISA	SPRING, LOCK OUT RING	1

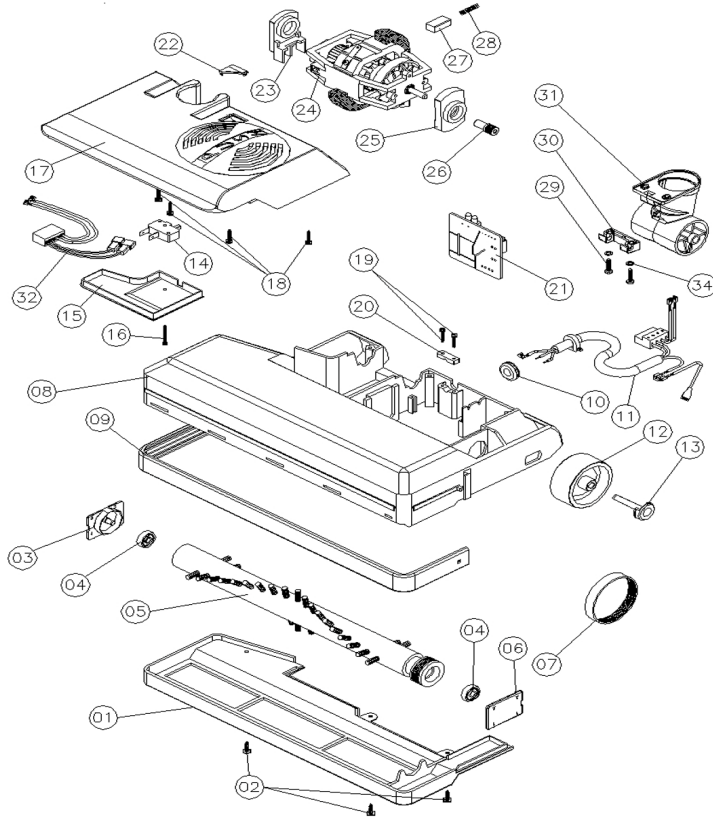
## COMMERCIAL 14 & 16 VACUUM ASSEMBLY

Reference Number	Part Number	Description	Qty
20	VCSA1INDNE**	FULL BAG INDICATOR, BLACK	1
21	VCA1MASAGS	SLEEVE, DARK GRAY	1
22	VCA1ANMGS	RING, SLEEVE, DARK GRAY	1
23	VC1000**	BAG, PAPER	1
24	VCA1MAGINE**	HOSE CUFF, BLACK	2
25	VCA2TESC46**	HOSE, L=18"	1
26	VCA4PNE**	ROUND BRUSH TOOL, BLACK	1
27	VCA4LNE**	CREVICE TOOL, BLACK	1
28	VCA1MACUNE**	TUBE, CURVED	1
29	VCSA4PT**	WAND, TELESCOPING, BLACK	1
30	VCA2COSIL	GASKET, HEPA FILTER	1
	VCSA7FH1**	FILTER, HEPA	1
31	VCSA1GFCOMM	GRILL, FILTER, COMPLETE	1
32	VCA7PFCOM**	PRE-FILTER, HEPA	1
33	VCA1SUPF	HOUSING, HEPA FILTER	1
34	USE KIT VC2000	SCREW	1
35	USE KIT VC2000	SCREW	5
36	USE KIT VC2000	SCREW	1
37	VCA1CAFCNE	CLAMP, CORD	1
38	TBD**	CIRCUIT BOARD, VAC MOTOR REGULATION	1
39	VCA1AIGS	CORD WRAP, LOWER, DARK GRAY	1
40	VCA3CABCOP-1	WIRING, INNER, L=25"	1
41	VCA1SM	COVER, FRONT	1
42	VCA1CABC	CLAMP, CORD	1
43	USE KIT VC2000	SCREW	
44	VCA1TOR	NUT, BLOCK	1
45+47	VCA1CLIPGS	CLIP, WAND AND TOOL	2
46	USE KIT VC2000	SCREW	4
48	USE KIT VC2000	SCREW	1
49	VCSA1IMPC	HANDLE HAND GRIP, COMPLETE	1
50	USE KIT VC2000	SCREW	1
51	VCA1GUCA	CORD SLIDE	1
52	VCA6TCC	CHROME PLATED BAR	1
	VCA2GORG	RUBBER SLACK ABSORBER	1
	VCA1PUMGR	BUTTON, HANDLE, DARK GRAY	1
	VCA8MPUM	SPRING, HANDLE BUTTON	1
	VCA1SMPGR	BUTTON SPRING HOLDER, DARK GREY	1

## COMMERCIAL 14 & 16 VACUUM ASSEMBLY

Reference Number	Part Number	Description	Qty
53	VCA3INTR**	RED BIPOLAR SWITCH, WITH LIGHT	1
54	VCA3INTN**	BLACK SWITCH, HI-LOW	1
55	VCA1MPWHSGRUCU	COVER, SWITCH	1
56	VCA8LAMO1	PLATE	1
57	USE KIT VC2000	SCREW	1
58	VCA3CA3NEUS**	POWER CORD, BLACK, 50'	1
	VC2000	HARDWARE KIT FOR VACUUM ASSEMBLY	

\*\*Recommended Stocking Item



### COMMERCIAL 14 & 16 BASE ASSEMBLY

Reference Number	Part Number	Description	Qty
1	VCA1BAS350	BASE, 14"	1
	TBD	BASE, 16"	1
2	USE KIT VC2001	SCREW	3
3	USE VCSA4RSP14N OR TBD	RIGHT SIDE PLATE, ROLLER BRUSH	1
4	USE VCSA4RSP14N OR TBD	BEARING	2
5	USE VCSA4RSP14N	ROLLER BRUSH 14"	1
	USE TBD	ROLLER BRUSH 16"	1
6	USE VCSA4RSP14N OR TBD	LEFT SIDE PLATE, ROLLER BRUSH	1
3-6	VCSA4RSP14N**	14" COMPLETE ROLLER BRUSH	1
	TBD**	16" COMPLETE ROLLER BRUSH	1
7	VCA2CP**	BELT, POLY V	1
8	VCA1CARGR3	14" CASE, DARK GRAY	1
	TBD	16" CASE, DARK GRAY	1
9	VCA2GUPANE	14" BUMPER, DARK GRAY	1
	TBD	16" BUMPER, DARK GRAY	1
10	VCA2PASB	GROMMET, CORD	1
11	VCA3CABBCUS	BASE CORD	1
12	VCA1R57**	WHEEL	2

## COMMERCIAL 14 & 16 BASE ASSEMBLY

Reference Number	Part Number	Description	Qty
13	VCA1PER**	PIN, WHEEL	2
14	VCSA1MICG**	MICROSWITCH, COMPLETE	1
15	VCA1CMICG	COVER, MICROSWITCH	1
16	USE KIT VC2001	SCREW	1
17+22	VCSA1CFSNEG	TOP COVER WITH WINDOW	1
18	USE KIT VC2001	SCREW	4
19	USE KIT VC2001	SCREW	2
20	VCA1CABCC	CLAMP, CORD	1
21	VCSA3SEG2	CIRCUIT BOARD, 120 VOLT	1
22	VCA1VETGBE	WINDOW	1
23	VCA1SMPA	MOTOR SUPPORT, REAR	1
24	VCSA3MT2AC**	MOTOR, BRUSH COMPLETE	1
25	VCA1SMAA	MOTOR SUPPORT, FRONT	1
26	VCA8PULM	PULLEY, MOTOR	1
27	VCA3CAMT**	MOTOR CARBON BRUSH	2
28	VCA8MCMT**	MOTOR CARBON SPRING	2
29	USE KIT VC2001	SCREW	2
30	VCA1BFSNCUS	CORD FASTENER, JOINT	1
31	VCA8SNO	JOINT	1
32	VCA2PASSC	PROTECTIVE SLEEVE, WIRE	1
34	USE KIT VC2001	WASHER	2
	VC2001	HARDWARE KIT FOR BASE ASSEMBLY	
**Recommended Stocking Item			

# Eagle Power

## Warranty Policy

### Limited Warranty

**Eagle Power Products (EPP) warrants new cleaning equipment against defects in material and workmanship under normal use and service to the original purchaser as detailed below.**

### 10 Years

**Subject to the conditions stated below, EPP warrants polyethylene tanks and housings to be free from defects in materials and workmanship for a period of ten years.**

### 3 Years

**Subject to the conditions stated below, EPP warrants all automatic scrubber components to be free from defects in materials and workmanship for a 3-year period. Parts replaced or repaired are warranted for the remainder of the original warranty period.**

### 1 Year

**Subject to the conditions stated below, EPP warrants all other cleaning equipment components to be free from defects in materials and workmanship for a 1-year period. Parts replaced or repaired are warranted for the remainder of the original warranty period. Batteries are prorated for one year.**

**EPP will furnish and charge for replacement parts, including transportation, to the original owner through an EPP authorized service center. If the part is returned within 30 days and is found defective, the owner will be credited for the cost of the replacement part including shipping and handling.**

Labor charges are covered for one year from the date of purchase if provided by an authorized EPP service center. Travel is covered for 90 days for battery operated equipment only.

Wear items exempt from warranty include belts, carbon brushes, power cords, wheels, pad drivers, clutch plates, brushes, pads, handle grips, filters, screens, throttle cables, and squeegees.

This warranty shall not apply to failures caused by misuse or abuse, improper maintenance as stated in the operation manuals, use of unauthorized repair parts, repairs by other than an EPP authorized service center, and damage in transit.

EPP disclaims and denies any liability for any direct, indirect, special incidental or consequential damage which may be suffered as a result of sale, delivery, servicing, use, loss of any product, downtime, labor, freight, or other charges not expressly included herein.

Date Purchased: \_\_\_\_\_

Model Number: \_\_\_\_\_

Serial Number: \_\_\_\_\_

Please be sure to record this information. This information will be necessary for future warranty claims.

## Eagle Power

1174 Northland Drive Mendota Heights, MN 55120  
651.686.5399 Fax 651.686.5695  
www.eaglepower.com

*Eagle Power Products Sales and Service Provided by:*