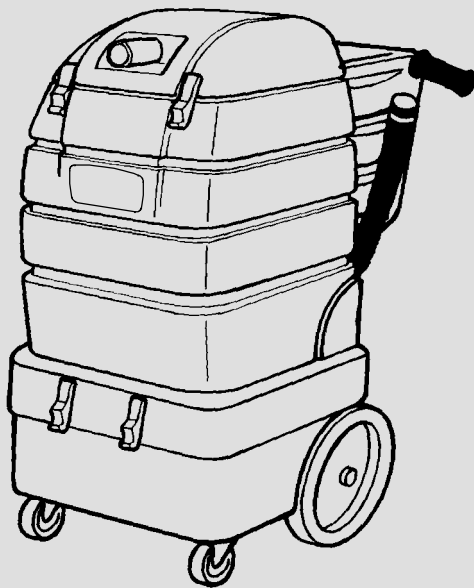
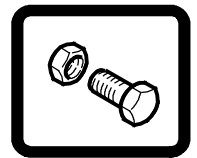




# V-WD-16B V-WD-61B

Battery Wet/Dry Vacuum

## Parts Manual



Model Part No.:  
9007475 - V-WD-16B  
9007655 - V-WD-61B



[www.tennantco.com](http://www.tennantco.com)

**NOBLES**  
[www.nobles.com](http://www.nobles.com)

9007531  
Rev. 03 (06-2014)





Ref	Part No.	Serial Number	Description	Qty.
1	82681	(000000- )	Bracket Wldt, Lpg Mount	1
▽ 2	63810	(000000- )	Ch Assy, Lpg Tank Mtg, W/Nut	4
▲ 3	51839	(000000- )	at Adjustable, Lpg Tank Mtg	2
4	49263	(000000- )	Tie, Cable	3
● 82556	82556	(000000- 001039)	Bracket, Vaporizer	1
54930	54930	(000000- )	Vaporizer	1

**HOW TO ORDER PARTS - See diagram above**

Only use TENNANT Company supplied or equivalent parts. Parts and supplies may be ordered online, by phone, by fax or by mail.

Follow the steps below to ensure prompt delivery.

1. (A) Identify the machine model.
2. (A) Identify the machine serial number from the data label.
3. (B) Ensure the proper serial number is used from the parts list.
4. Identify the part number and quantity.  
Do not order by page or reference numbers.
5. Provide your name, company name, customer ID number, billing and shipping address, phone number and purchase order number.
6. Provide detail shipping instructions.

- (C) ▽ - identifies an assembly  
 ▲ - identifies parts included in assembly  
 (D) ● - identifies a recommended stock item

**Please fill out at time of installation for future reference.**

Model No. - \_\_\_\_\_  
 Serial No. - \_\_\_\_\_  
 Machine Options - \_\_\_\_\_  
 Sales Rep. - \_\_\_\_\_  
 Sales Rep. phone no. - \_\_\_\_\_  
 Customer ID Number - \_\_\_\_\_  
 Installation Date - \_\_\_\_\_

**Tennant Company**

PO Box 1452  
 Minneapolis, MN 55440  
 Phone: (800) 553- 8033 or (763) 513- 2850

www.tennantco.com  
 www.nobles.com

Specifications and parts are subject to change without notice.

Copyright © 2010, 2013, 2014 TENNANT Company, Printed in U.S.A.

<b>CN</b>	<p><b>如何订购部件 - 参见下表</b>          仅使用 TENNANT 公司提供的或同等部件。部件和供应可以在线订购，通过电话、传真或邮件订购。          请遵循下面的步骤确保及时交付。</p> <ol style="list-style-type: none"> <li>1. <b>(A)</b> 确定机器型号。</li> <li>2. <b>(A)</b> 从数据标签确定机器序列号。</li> <li>3. <b>(B)</b> 确保使用部件列表中的正确序列号。</li> <li>4. 确定部件号和数量。 不要按页面或参考编号订购。</li> <li>5. 提供您的姓名、公司名称、客户 ID 号、付帐和送货地址、 电话号码和采购单编号。</li> <li>6. 提供详细的送货说明。</li> </ol> <hr/> <p><b>(C)</b> ▽ - 确定组件          ▲ - 确定组件中包含的组件  <b>(D)</b> ● - 确定建议的库存项</p>	<p><b>请在安装时填写供未来参考。</b></p> <p>型号 - _____</p> <p>序列号 - _____</p> <p>机器选项 - _____</p> <p>销售代表 - _____</p> <p>销售代表电话号码 - _____</p> <p>客户 ID 编号 - _____</p> <p>安装日期 - _____</p>
-----------	---	--

<b>ES</b>	<p><b>CÓMO SOLICITAR PIEZAS - Consulte el diagrama anterior.</b></p> <p>Utilice sólo las piezas suministradas por TENNANT Company o piezas equivalentes. Puede solicitar las piezas a través de internet, por teléfono, por fax o por correo.</p> <p>Siga los siguientes pasos para que la entrega sea rápida.</p> <ol style="list-style-type: none"> <li>1. <b>(A)</b> Indique el modelo de máquina.</li> <li>2. <b>(A)</b> Indique el número de serie de la etiqueta de datos.</li> <li>3. <b>(B)</b> Asegúrese de que indica el número de serie correcto de la lista de piezas.</li> <li>4. Indique la cantidad y el número de la pieza. No realice el pedido indicando el número de página o el de referencia.</li> <li>5. Incluya su nombre, el nombre de la empresa, el ID de cliente, las direcciones de envío y facturación, el número de teléfono y el número del pedido de compra.</li> <li>6. Facilite instrucciones de envío.</li> </ol> <hr/> <p><b>(C)</b> ▽ - identifica un conjunto          ▲ - identifica piezas de un conjunto  <b>(D)</b> ● - identifica un artículo que conviene tener en stock</p>	<p><b>Rellene estos datos cuando realice la instalación para utilizarlos como referencia en el futuro.</b></p> <p>Nº modelo - _____</p> <p>Nº serie - _____</p> <p>Opciones de la máquina - _____</p> <p>Vendedor - _____</p> <p>Nº teléfono vendedor - _____</p> <p>Nº cliente - _____</p> <p>Fecha de instalación - _____</p>
-----------	--	---

<b>FR</b>	<p><b>COMMENT COMMANDER DES PIÈCES DÉTACHÉES - Voir le schéma ci-dessus.</b></p> <p>Utilisez uniquement des pièces fournies par la société TENNANT ou équivalentes. Les pièces et fournitures peuvent être commandées en ligne, par téléphone, fax, ou par courrier.</p> <p>Suivez les étapes ci-dessous pour assurer une livraison rapide.</p> <ol style="list-style-type: none"> <li>1. <b>(A)</b> Identifiez le modèle de la machine.</li> <li>2. <b>(A)</b> Identifiez le numéro de série de la machine, à partir de l'étiquette signalétique.</li> <li>3. <b>(B)</b> Assurez-vous que le numéro de série correct est utilisé à partir de la liste de pièces détachées.</li> <li>4. Identifiez le numéro de pièce et la quantité. Ne commandez pas par page ou numéros de référence.</li> <li>5. Fournissez votre nom, le nom de votre société, votre numéro d'identification de client, l'adresse de facturation et d'expédition, le numéro de téléphone et le numéro du bon de commande.</li> <li>6. Fournissez des instructions d'expédition détaillées.</li> </ol> <hr/> <p><b>(C)</b> ▽ - identifie un assemblage          ▲ - identifie les pièces composant l'assemblage  <b>(D)</b> ● - identifie un article de stock recommandé</p>	<p><b>A remplir au moment de l'installation à titre de référence.</b></p> <p>Nº du modèle - _____</p> <p>Nº de série - _____</p> <p>Options de la machine - _____</p> <p>Agent commercial - _____</p> <p>Nº tél. de l'agent commercial - _____</p> <p>Numéro d'identification client - _____</p> <p>Date d'installation - _____</p>
-----------	--	---

<b>JP</b>	<p><b>パーツの発注方法 ? 上記の図を参照してください</b></p> <p>TENNANT社製のパーツまたは同等品のみをお使いください。パーツやサプライ品のご注文は、オンライン、電話、FAX、または手紙でお願いいたします。</p> <p>確実にお届けできるように、以下の情報お知らせください。</p> <ol style="list-style-type: none"> <li>1. <b>(A)</b> 製品のモデル名をお知らせください。</li> <li>2. <b>(A)</b> 製品のデータラベルに印刷されているシリアル番号をお知らせください。</li> <li>3. <b>(B)</b> パーツリストを参照して、シリアル番号が正しいかご確認ください。</li> <li>4. パーツ番号と数量をお知らせください。マニュアル/カタログの ページ番号や参照番号でのご注文はご遠慮ください。</li> <li>5. お客様のお名前、会社名、顧客ID番号、請求/発送先住所、電話番号、注文書番号をお知らせください。</li> <li>6. 発送に関するご希望があれば、明記してください。</li> </ol> <hr/> <p><b>(C)</b> ▽ - アセンブリを示します          ▲ - アセンブリに含まれるパーツを示します  <b>(D)</b> ● - 当社推薦の在庫用品を示します</p>	<p><b>後日確認できるように、設置時に記入してください。</b></p> <p>モデルNo. - _____</p> <p>シリアルNo. - _____</p> <p>製品のオプション - _____</p> <p>販売代理店 - _____</p> <p>販売代理店の電話番号 - _____</p> <p>顧客ID番号 - _____</p> <p>設置日 - _____</p>
-----------	--	---



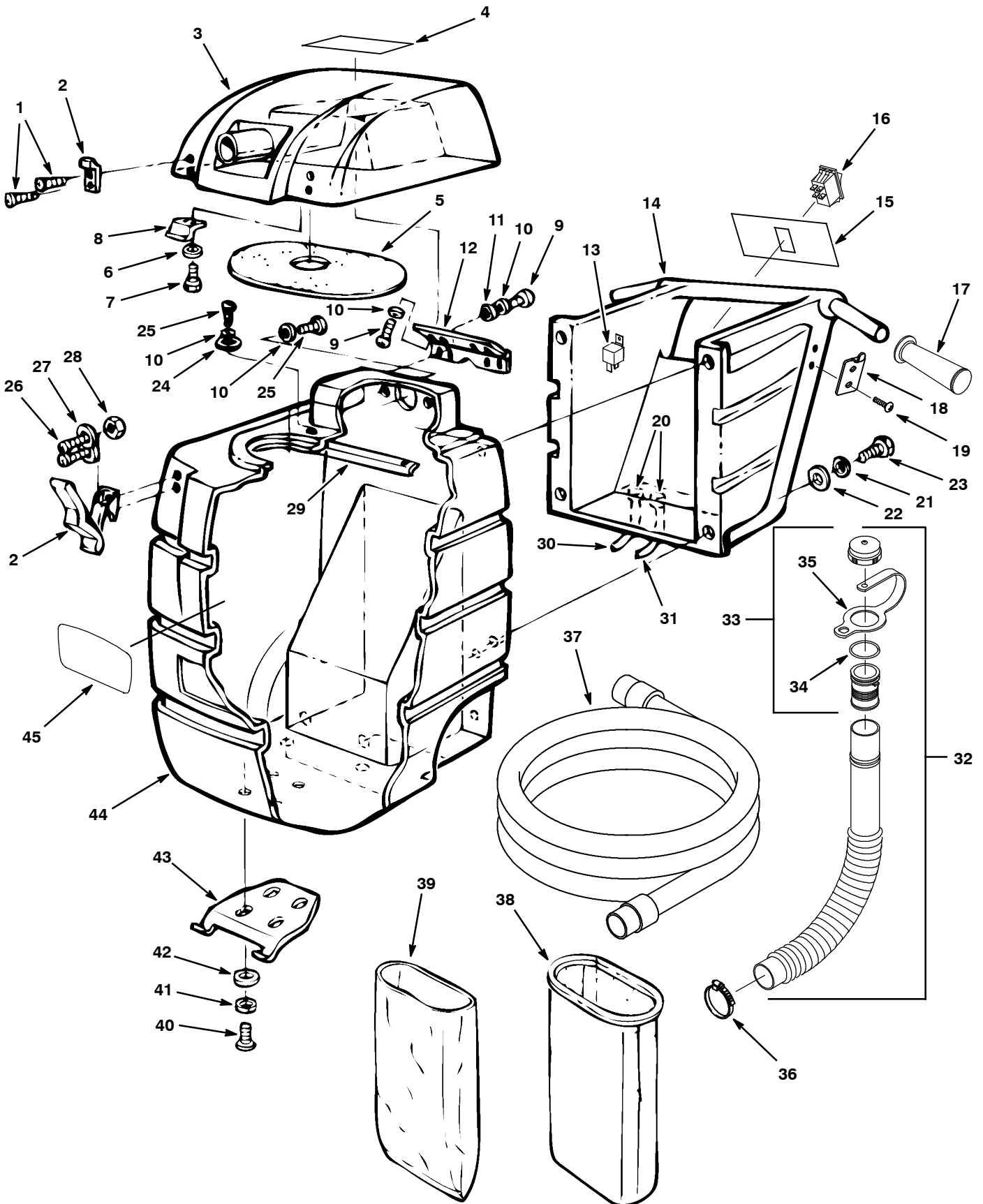
**STANDARD PARTS**

TANK GROUP ..... 6  
VACUUM MOTOR GROUP ..... 8  
BATTERY HOUSING GROUP ..... 10  
BATTERY HOUSING GROUP  
  (JAPAN MODEL) ..... 12  
ELECTRICAL DIAGRAM ..... 14  
ELECTRICAL DIAGRAM (JAPAN MODEL) ..... 15

**OPTIONS**

FLOOR TOOL KIT, WET/DRY ..... 16  
FLOOR TOOL KIT, WET ..... 17  
SQUEEGEE KIT ..... 18

TANK GROUP



## TANK GROUP

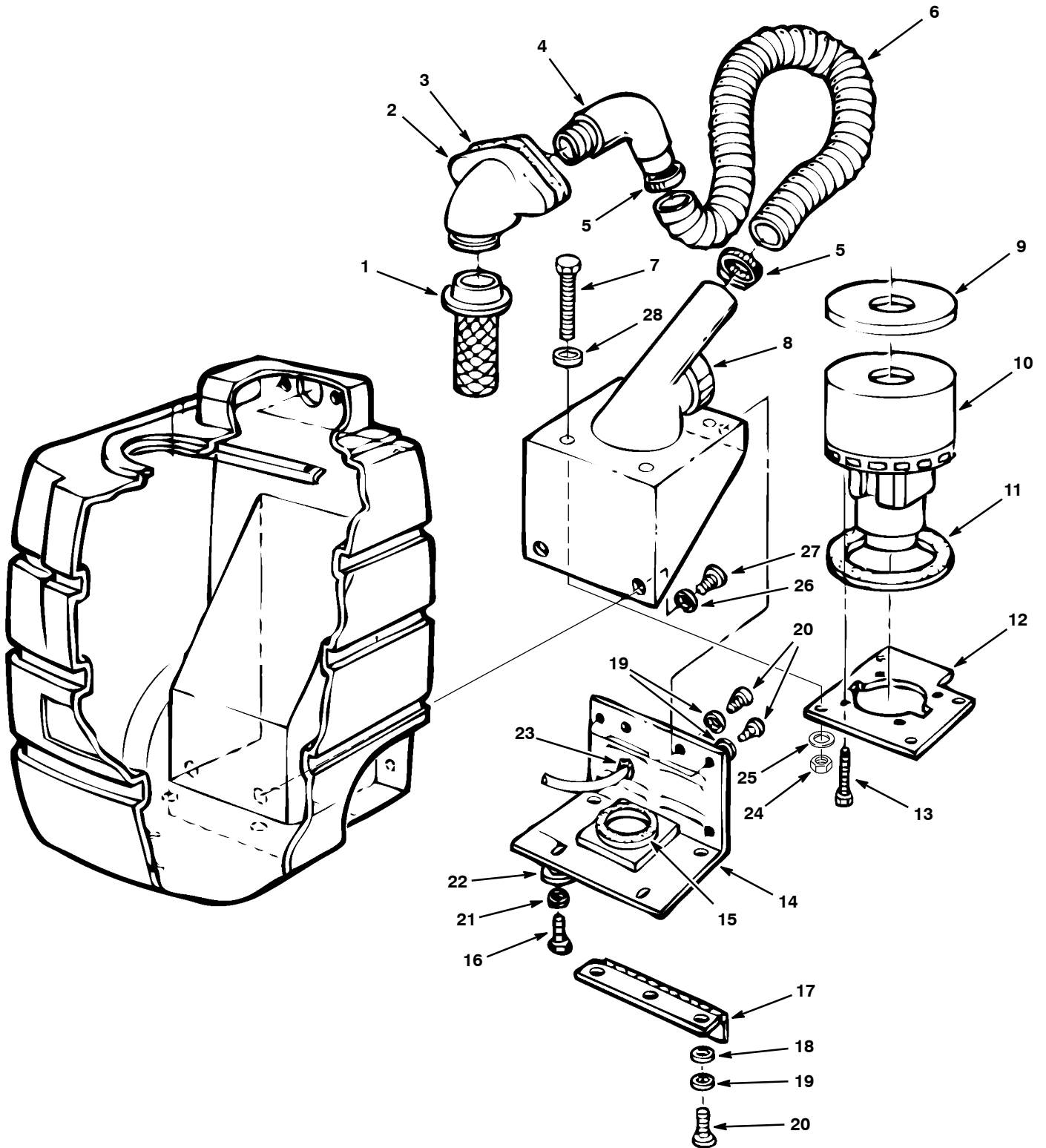
Ref.	Part No.	Serial Number	Description	Qty.
1	609980	(00000000-	) Screw, Trs, Phl, 08- 32 X 0.38, Sems	4
2	49800	(00000000-	)● Latch	2
▽	3 9007855	(00000000-	) Cover, Rm- Cphg, Afmkt [V- Wd]	1
▲	4 1026388	(00000000-	) Label, Warning [Expl,Fire,Shk En/Fr/Es]	1
▽	3 9007856	(00000000-	) Cover, Rm- Cphg, Afmkt, Batt [V- Wd] (Japan)	1
▲	4 613865	(00000000-	) Label, Warning, 6 X 2, Tj [Dc Wet/Dry]	1
5	613233	(00000000-	)● Gasket, Oval, Neo, .38, 9.37hi 14.4l,Adh	1
5	140031	(00000000-	) Washer, Lock, Ext, 10, Pl	2
6	140197	(00000000-	) Screw, Trs, Phl, 10- 24 X 0.38, Sems, Ss	2
7	230497	(00000000-	) Bracket, Deflector, Air, Ss	1
8	140195	(00000000-	) Screw, Trs, .25- 20 X 0.50, Phl, Ss, Sems	13
10	07515	(00000000-	) Washer, Lock, Int, 0.25, Ss	13
11	140000	(00000000-	) Washer, Flat, 0.28b 0.62d .04, Ss	13
12	230318	(00000000-	) Hinge, .19pin .06 2.5w 09.4l, Yel Pl	1
13	1012216	(00000000-	)● Relay, 24vdc, 070a, Spst No, Plug- In	1
14	9007671	(00000000-	) Handle, Vac, Bat, Rm- Blk, Afmkt [V- Wd- 16]	1
15	600654	(00000000-	) Label, Dash, Ce [Typhoon Battery]	1
16	608605	(00000000-	)● Switch, Rocker, Dpst	1
17	1066506	(00000000-	)● Grip, Handle, Rnd	2
18	1006890	(00000000-	) Clip, Hanger, Hose, .16d, 2hole	1
19	140825	(00000000-	) Screw, Pan, Phl, 06 X 0.50, Fmg/Ab, Blk	2
20	605395	(00000000-	) Strainrelief, Bshg [Sr7p- 2]	2
21	140017	(00000000-	) Washer, Lock, Split, 0.38, Ss	6
22	140028	(00000000-	) Washer, Flat, 0.42b 1.00d .05, Ss	6
23	140231	(00000000-	) Screw, Hex, .38- 16 X 1.50, Ss	4
24	140003	(00000000-	) Washer, Flat, 0.25b 1.00d , Ss, Fendr	2
25	140824	(00000000-	) Screw, Trs, .25- 20 X 0.62, Phl, Ss	6
26	24265	(00000000-	) Screw, Pan, Phl, M4 X 0.70 X 16, Ss	4
27	140011	(00000000-	) Washer, Flat, 0.21b 0.45d .03, Ss	4
28	33932	(00000000-	) Nut, Hex, Lock, M4 X 0.70, NI, Ss	4
29	230482.BK	(00000000-	) Bracket, Sppt, 16gal Tank	1
30	1015901	(00000000-	) Cord, 12ga /2, 042.0l Blk [Sjt/Sjto]	1
31	1015928	(00000000-	) Cord, 12ga /2, 032.0l Blk [Sjt/Sjto]	1
▽	32 1007072	(00000000-	)● Hose Assy, Drain, 1.50id X 21.9l, Blk	1
▲▽	33 1008639	(00000000-	)● Cap, Drain Assy	1
▲▲	34 1008637	(00000000-	)● Seal, Org, 1.48id 1.76od	1
▲▲	35 1019563	(00000000-	)● Strap, Cap, Drain	1
36	11531	(00000000-	) Clamp, Hose, Wormdrive, 1.06- 2.00d, .56w	1
37	1014026	(00000000-	)● Hose, Vacuum, 1.50id X 057.1l, 2cuff,Blk	1
38	900105	(00000000-	)● Bag, Fltr, Cloth, 16gal	1
39	1068846	(00000000-	)● Bag, Vacuum, Paper [1pick=1pkg] (1 Pkg = 10 Bags)	1
40	140226	(00000000-	) Screw, Hex, .31- 18 X 0.62, Ss	4
41	140015	(00000000-	) Washer, Lock, Split, 0.31, Ss	4
42	140027	(00000000-	) Washer, Flat, 0.35b 0.75d .04, Ss	4
43	230949	(00000000-	) Plate, Latch, Battery [Typhoon]	1
44	1036550	(00000000-	) Tank, 16gal, Rm- Cphg, Trimmed [3580]	1
45	1060465	(00000000-	) Label, Logo, Cmdty, Dual, Small	1
45	1060463	(00000000-	) Label, Logo, Cmdty, Tco, Small	1

▽ ASSEMBLY

▲ INCLUDED IN ASSEMBLY

● RECOMMENDED STOCK ITEMS

VACUUM MOTOR GROUP





## VACUUM MOTOR GROUP

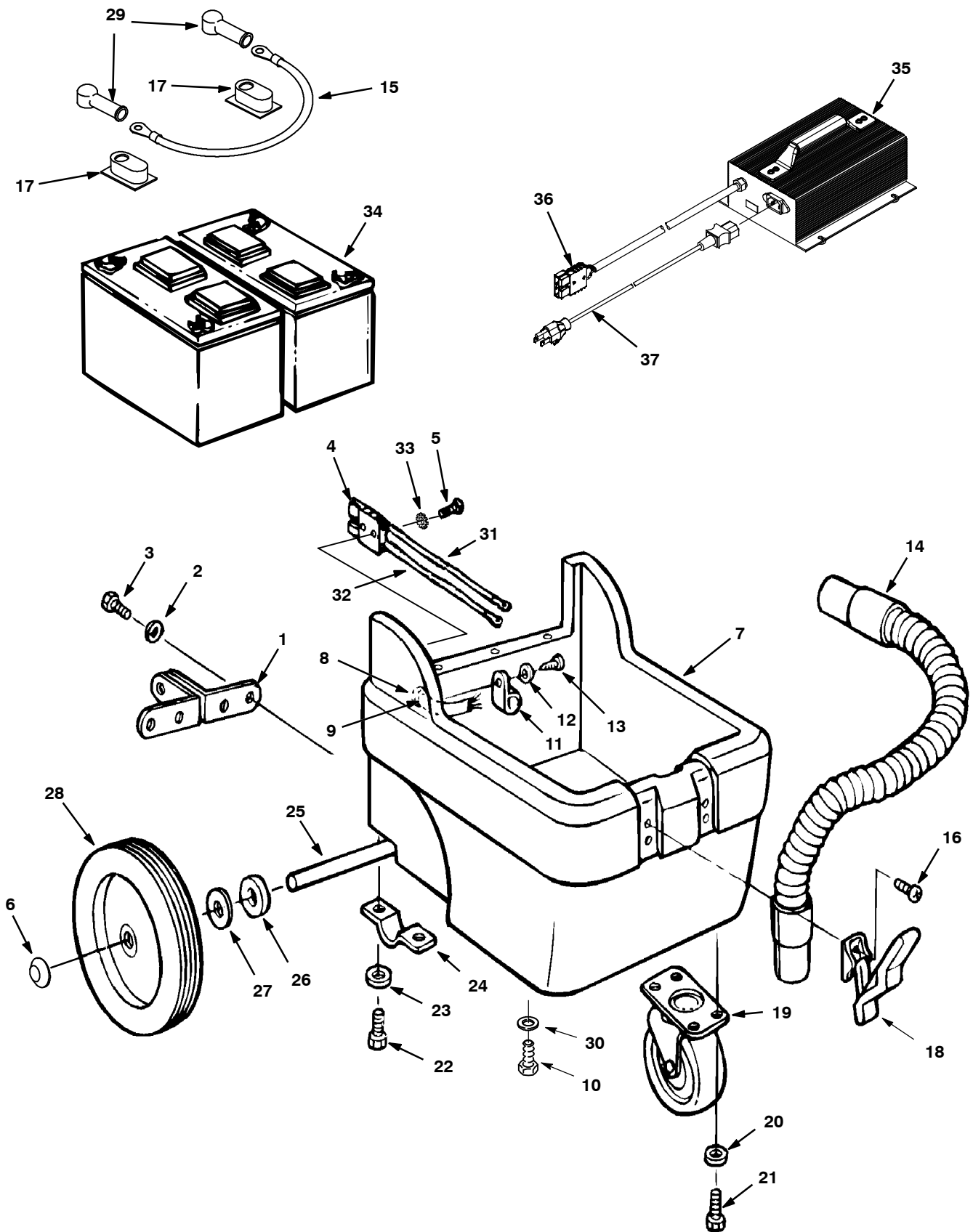
Ref.	Part No.	Serial Number	Description	Qty.
▽	1	180613	(00000000- )● Float, Shutoff, 1- Ball, 2.00d	1
	2	100381	(00000000- ) Elbow, Tube, Vacuum, Trimmed	1
	3	100096	(00000000- ) Gasket, Tube, Vacuum, E	1
	4	700435	(00000000- ) Fitting Assy, E90, Pvc [Op- Item]	1
	5	140308	(00000000- ) Clamp, Hose, Wormdrive, 1.31- 2.25d, Ss	2
	6	160482	(00000000- )● Hose, Vacuum, 2.00id X 013.0l, Blk	1
	7	140199	(00000000- ) Screw, Hex, .25- 20 X 4.50, Pl	4
	8	100380	(00000000- ) Mount, Vacuum, Rm- Blk, Trimmed [Acus]	1
	9	100038	(00000000- )● Gasket, .50, 02.63id 05.75od, Adh [Epdm]	1
▽	10	130397	(00000000- )● Fan, Vacuum, 5.7d, 024vdc, 3 Stage [Qbp]	1
▲		1073334	(00000000- )● Brush, Carbon, Motor, Ele [1pick=1pkg] (1Pkg=2Brushes)	1
		190163	(00000000- )● Brush, Carbon, Motor, Ele [1pick=1pkg] (1Pkg=2Brushes) (Replaced by 1073334)	1
	11	100143	(00000000- )● Gasket, Motor, Vacuum, 5.7	1
	12	1055851	(00000000- ) Plate, Mount, Motor	1
	13	140340	(00000000- ) Screw, Pan, Phl, 10- 24 X 0.62, Ss[Typ25]	4
	14	230980.BK	(00000000- ) Plate, Cover, 3 Stage Battery [Typhoon]	1
	15	100831	(00000000- )● Gasket, .25, 3.12id 3.81hi, Adh	1
	16	02994	(00000000- ) Screw, Hex, .38- 16 X 0.75, Ss	2
	17	230951	(00000000- ) Hinge, .25pin .07 2.0w 10.0l, Crs	1
	18	140000	(00000000- ) Washer, Flat, 0.28b 0.62d .04, Ss	7
	19	07515	(00000000- ) Washer, Lock, Int, 0.25, Ss	7
	20	140195	(00000000- ) Screw, Trs, .25- 20 X 0.50, Phl, Ss, Sems	7
	21	140017	(00000000- ) Washer, Lock, Split, 0.38, Ss	6
	22	140028	(00000000- ) Washer, Flat, 0.42b 1.00d .05, Ss	6
	23	140504	(00000000- ) Nut, Lock, Conduit, Pm08	1
	24	41169	(00000000- ) Nut, Hex, Lock, .25- 20, NI, Ss	4
	25	140000	(00000000- ) Washer, Flat, 0.28b 0.62d .04, Ss	4
	26	07515	(00000000- ) Washer, Lock, Int, 0.25, Ss	2
	27	140824	(00000000- ) Screw, Trs, .25- 20 X 0.62, Phl, Ss	2
	28	140003	(00000000- ) Washer, Flat, 0.25b 1.00d , Ss, Fendr	4

▽ ASSEMBLY

▲ INCLUDED IN ASSEMBLY

● RECOMMENDED STOCK ITEMS

BATTERY HOUSING GROUP



## BATTERY HOUSING GROUP

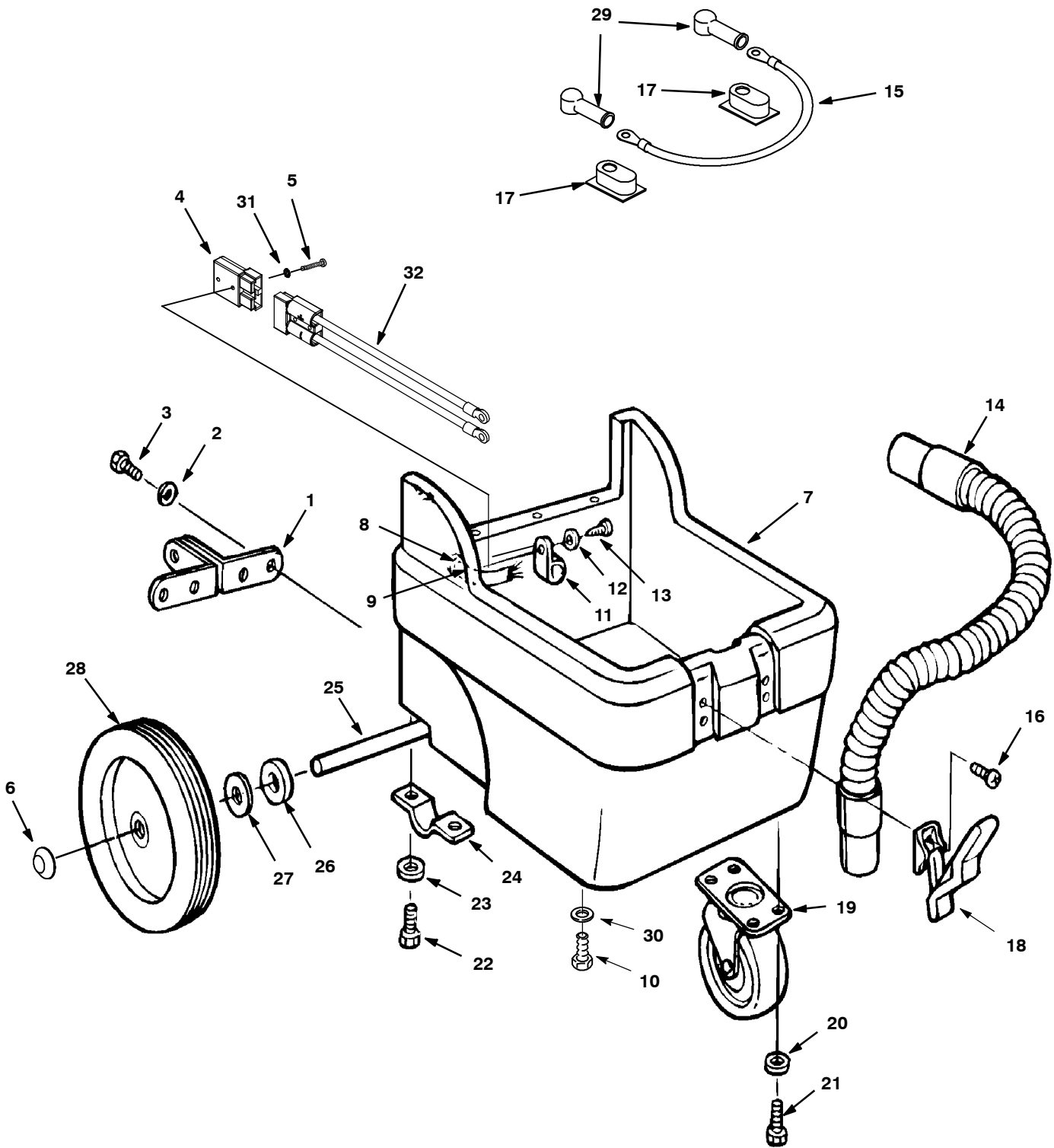
Ref.	Part No.	Serial Number	Description	Qty.
1	230950	(00000000-	) Bracket, Sqge	2
2	140016	(00000000-	) Washer, Lock, Split, 0.25, Ss	4
3	01696	(00000000-	) Screw, Hex, .25- 20 X 0.50, Ss	4
4	605387	(00000000-	)● Connector, Anderson, 050a, Red [W/O Con]	1
5	2728.12	(00000000-	) Screw, Pan, Phl, 06- 32 X 0.75, Ss	2
6	103019	(00000000-	) Nut, Retainer, 0.50d 0.29l, Ss	2
7	9007669	(00000000-	) Housing, Bat, Rm- Cphg, Afmkt [V- Wd- 16b]	1
8	605395	(00000000-	) Strainrelief, Bshg [Sr7p- 2]	1
9	240220	(00000000-	)● Grommet, 0.50id, F/.75h, .38 Matl	1
10	02994	(00000000-	) Screw, Hex, .38- 16 X 0.75, Ss	2
11	140328	(00000000-	) Clamp, Cable, Nyl, 0.38d, Blk	1
12	140011	(00000000-	) Washer, Flat, 0.21b 0.45d .03, Ss	1
13	140825	(00000000-	) Screw, Pan, Phl, 06 X 0.50, Fmg/Ab, Blk	1
14	1014026	(00000000-	)● Hose, Vacuum, 1.50id X 057.1l, 2cuff,Blk	1
15	130364	(00000000-	)● Cable, 06ga 15.0l Blk .31ring /.38ring	1
16	609980	(00000000-	) Screw, Trs, Phl, 08- 32 X 0.38, Sems	4
17	45962	(00000000-	)● Cap, Plstc, .04 1.38 X 2.30 0.5l	4
18	49800	(00000000-	)● Latch	2
19	103065	(00000000-	)● Caster, Swivel, 4.0d 1.3w, 4hole	2
20	140015	(00000000-	) Washer, Lock, Split, 0.31, Ss	8
21	140226	(00000000-	) Screw, Hex, .31- 18 X 0.62, Ss	8
22	01696	(00000000-	) Screw, Hex, .25- 20 X 0.50, Ss	4
23	140016	(00000000-	) Washer, Lock, Split, 0.25, Ss	4
24	230746	(00000000-	) Bracket, Axle, .5d, Offset	2
25	608907	(00000000-	) Axle, .5d X 21.67l [C- Note]	1
26	140063	(00000000-	) Washer, Flat, 0.51b 1.25d .31, Nyl	2
27	140045	(00000000-	) Washer, Flat, 0.51b 1.25d .06, Ss	2
28	103009	(00000000-	)● Wheel, 12.0d 1.75w, White / Gray [Td]	2
29	611221	(00000000-	)● Boot, Terminal, Battery, 25.4mm, Blk	4
30	140017	(00000000-	) Washer, Lock, Split, 0.38, Ss	2
31	701163	(00000000-	)● Wire, 14ga 17.0l Red Anderson /.38ring	1
32	701164	(00000000-	)● Wire, 14ga 22.0l Blk Anderson /.31ring	1
33	140019	(00000000-	) Washer, Lock, Ext, 06	2
34	578426	(00000000-	)● Battery, 12vdc 0105ah 0530cca [27tmx]	2
34	130869	(00000000-	)● Battery, 12vdc 0130ah [30xhs- Wnt]	2
▽	35	1073638	(00000000-)● Charger, 24vdc, 11a Var Vac 1ph 50/60hz	1
▲	36	605387	(00000000-)● Connector, Anderson, 050a, Red [W/O Con]	1
▲	37	1017079	(00000000-)● Cord, Extn, 16ga /3, 10ft [Sjt]	1
	N/S	1015893	(00000000-) Harness, 12ga Red / 18ga Red 28.0l	1

▽ ASSEMBLY

▲ INCLUDED IN ASSEMBLY

● RECOMMENDED STOCK ITEMS

BATTERY HOUSING GROUP (JAPAN MODEL)

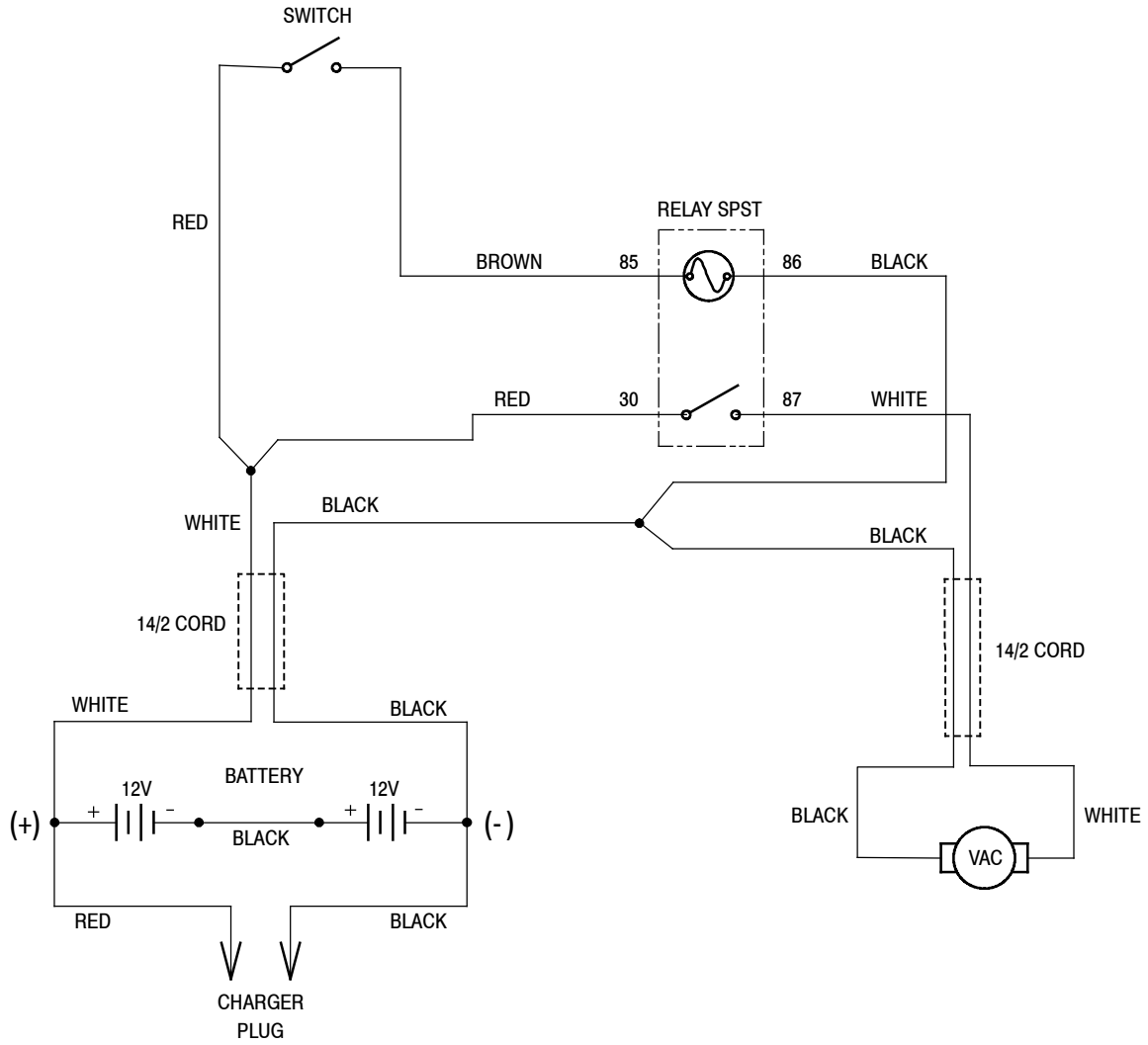


## BATTERY HOUSING GROUP (JAPAN MODEL)

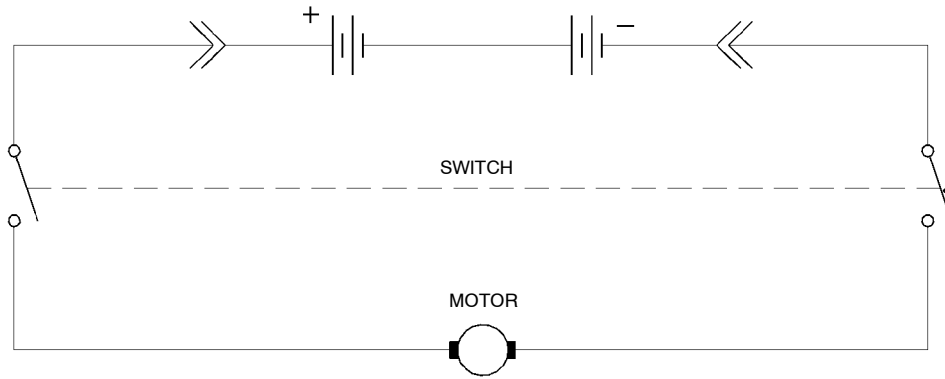
Ref.	Part No.	Serial Number	Description	Qty.
1	230950	(00000000-	) Bracket, Sqge	2
2	140016	(00000000-	) Washer, Lock, Split, 0.25, Ss	4
3	01696	(00000000-	) Screw, Hex, .25- 20 X 0.50, Ss	4
4	605387	(00000000-	)● Connector, Anderson, 050a, Red [W/O Con]	1
5	140827	(00000000-	) Screw, Pan, Phl, 06 X 1.00, Fmg/Ab, Ss	2
6	103019	(00000000-	) Nut, Retainer, 0.50d 0.29l, Ss	2
7	9007669	(00000000-	) Housing, Bat, Rm- Cphg, Afmkt [V- Wd- 16b]	1
8	605395	(00000000-	) Strainrelief, Bshg [Sr7p- 2]	1
9	240220	(00000000-	)● Grommet, 0.50id, F/.75h, .38 Matl	1
10	02994	(00000000-	) Screw, Hex, .38- 16 X 0.75, Ss	2
11	140328	(00000000-	) Clamp, Cable, Nyl, 0.38d, Blk	1
12	140011	(00000000-	) Washer, Flat, 0.21b 0.45d .03, Ss	1
13	140825	(00000000-	) Screw, Pan, Phl, 06 X 0.50, Fmg/Ab, Blk	1
14	1014026	(00000000-	)● Hose, Vacuum, 1.50id X 057.1l, 2cuff,Blk	1
15	130364	(00000000-	)● Cable, 06ga 15.0l Blk .31ring /.38ring	1
16	609980	(00000000-	) Screw, Trs, Phl, 08- 32 X 0.38, Sems	4
17	45962	(00000000-	)● Cap, Plstc, .04 1.38 X 2.30 0.5l	4
18	49800	(00000000-	)● Latch	2
19	103065	(00000000-	)● Caster, Swivel, 4.0d 1.3w, 4hole	2
20	140015	(00000000-	) Washer, Lock, Split, 0.31, Ss	8
21	140226	(00000000-	) Screw, Hex, .31- 18 X 0.62, Ss	8
22	01696	(00000000-	) Screw, Hex, .25- 20 X 0.50, Ss	4
23	140016	(00000000-	) Washer, Lock, Split, 0.25, Ss	4
24	230746	(00000000-	) Bracket, Axle, .5d, Offset	2
25	608907	(00000000-	) Axle, .5d X 21.67l [C- Note]	1
26	140063	(00000000-	) Washer, Flat, 0.51b 1.25d .31, Nyl	2
27	140045	(00000000-	) Washer, Flat, 0.51b 1.25d .06, Ss	2
28	103009	(00000000-	)● Wheel, 12.0d 1.75w, White / Gray [Td]	2
29	611221	(00000000-	)● Boot, Terminal, Battery, 25.4mm, Blk	4
30	140017	(00000000-	) Washer, Lock, Split, 0.38, Ss	2
31	140019	(00000000-	) Washer, Lock, Ext, 06	2
32	600691	(00000000-	)● Harness Assy, Battery, Tnv	1
N/S	1015893	(00000000-	) Harness, 12ga Red / 18ga Red 28.0l	1

● RECOMMENDED STOCK ITEMS

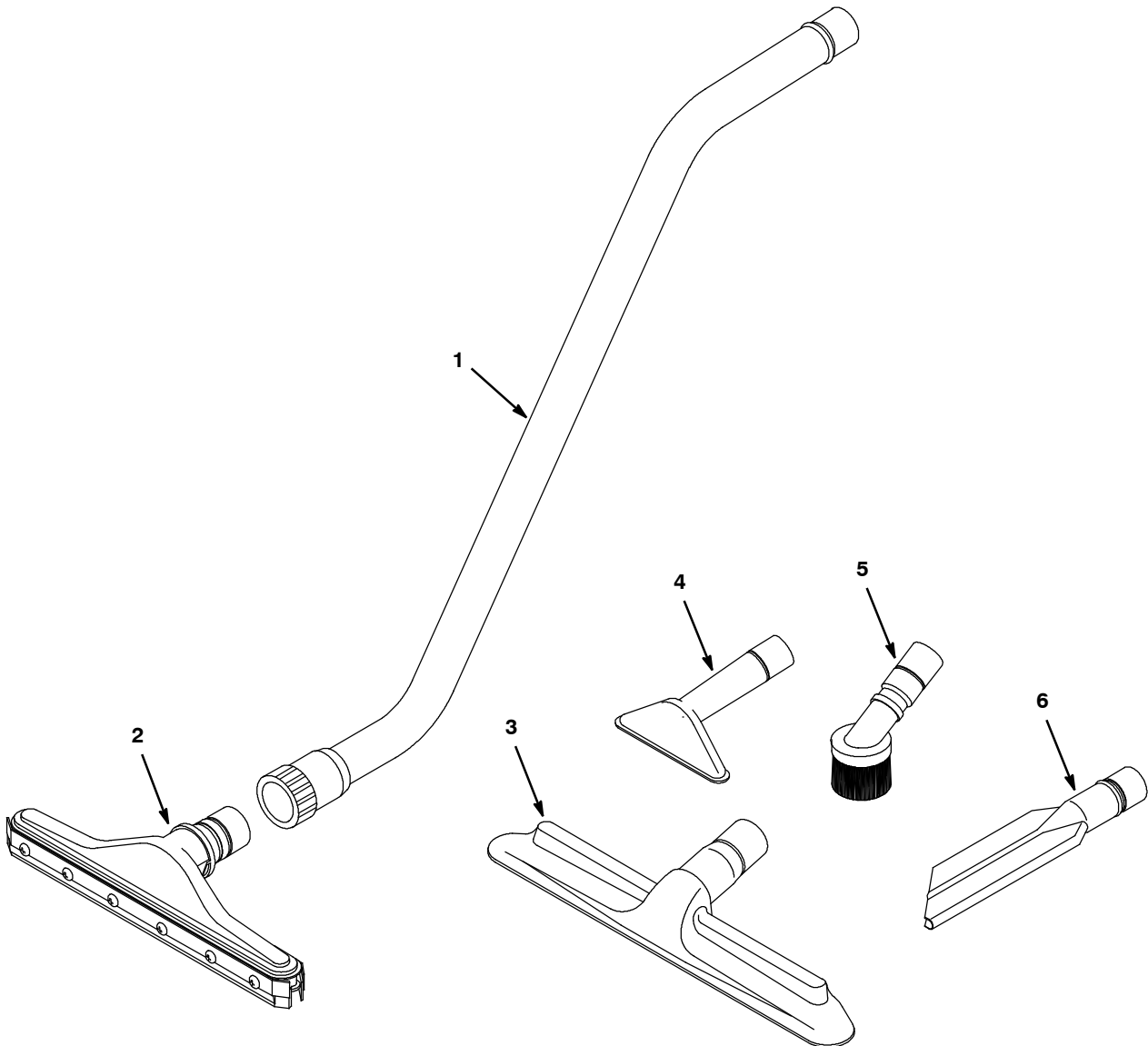
ELECTRICAL DIAGRAM



ELECTRICAL DIAGRAM (JAPAN MODEL)



FLOOR TOOL KIT, WET/DRY



Ref.	Part No.	Serial Number	Description	Qty.
▽	605178	(00000000-	● Tool Kit, Floor / Vacuum, 16.0w	1
▲▽	1 6108.1	(00000000-	● Wand, Alm, Dbl Bend	1
▲▲	605257	(00000000-	● Ring, Lock	1
▲▲	600828	(00000000-	● Vr, Nut, Cplg, Wand	1
▲▽	2 13840	(00000000-	● Squeegee Assy, Push / Pull, 14.0inch	1
▲▲	605137	(00000000-	● Blade, Sqge, Replmt [Set Of 4]	1
▲	3 14043	(00000000-	● Tool, Pickup, 16w, Floor And Rug	1
▲	4 6057	(00000000-	● Tool, 5.0 Plstc [Upholstery]	1
▲	5 6117	(00000000-	● Brush Assy, 3.0, Rnd	1
▲	6 6170	(00000000-	● Tool, 11.0inch, Plstc [Crevice]	1

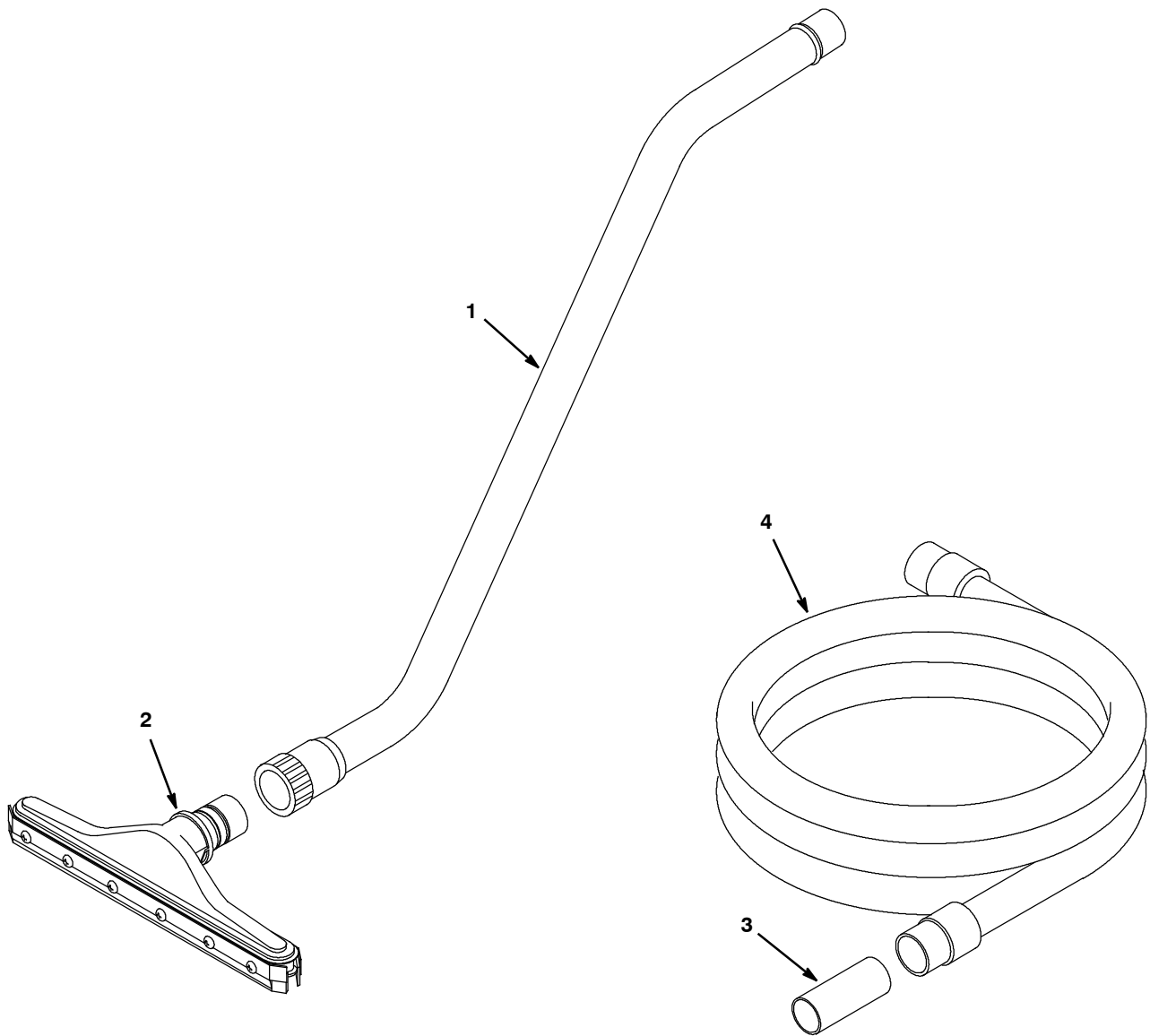
▽ ASSEMBLY

▲ INCLUDED IN ASSEMBLY

● RECOMMENDED STOCK ITEMS



FLOOR TOOL KIT, WET



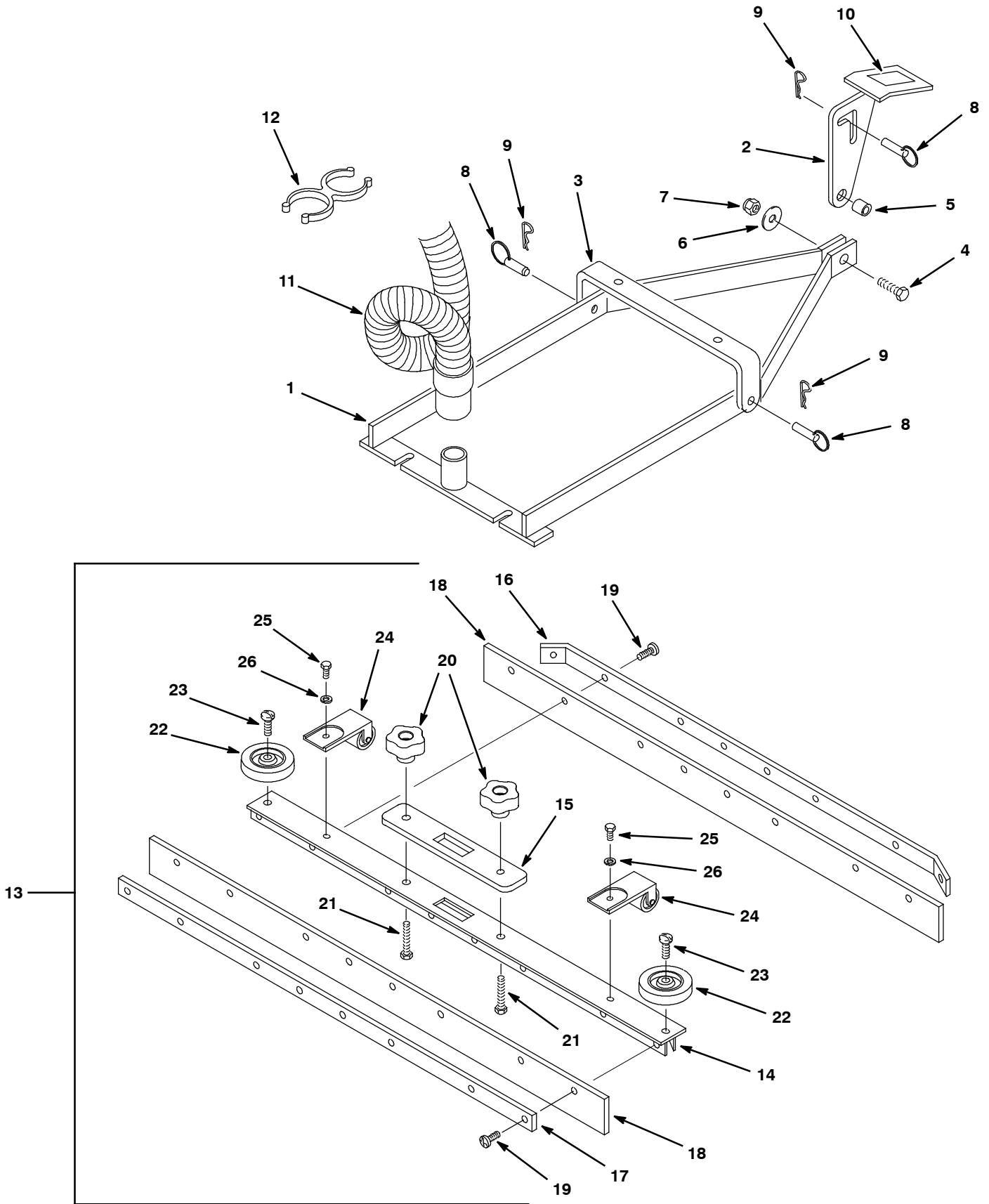
Ref.	Part No.	Serial Number	Description	Qty.
▽	190928	(00000000-	)● Squeegee Assy Kit, W/ Hose & Wand	1
▲▽	1 6108.1	(00000000-	)● Wand, Alm, Dbl Bend	1
▲▲	605257	(00000000-	)● Ring, Lock	1
▲▲	600828	(00000000-	)● Vr, Nut, Cplg, Wand	1
▲▽	2 13840	(00000000-	)● Squeegee Assy, Push / Pull, 14.0inch	1
▲▲	605137	(00000000-	)● Blade, Sqge, Replmt [Set Of 4]	1
▲	3 160451	(00000000-	)● Connector, Hose, Vacuum, 1.50	1
▲	4 160481	(00000000-	)● Hose, Vacuum, 1.50id X 10ft, 2cuff, Blk	1

▽ ASSEMBLY

▲ INCLUDED IN ASSEMBLY

● RECOMMENDED STOCK ITEMS

SQUEEGEE KIT



SQUEEGEE KIT

Ref.	Part No.	Serial Number	Description	Qty.
▽	190108	(00000000-	)● Squeegee Kit, 27.0 [Typhoon] (27.0 IN)	1
▽	190972	(00000000-	)● Squeegee Kit, 33.0 [Typhoon] (33.0 IN)	1
▽	190958	(00000000-	)● Squeegee Kit, 40.0 [Typhoon] (40.0 IN)	1
▲	1 230453.BK	(00000000-	) Lift Wldt, Sqge	1
▲	2 230456	(00000000-	) Pedal, Lift	1
▲	3 230454	(00000000-	) Bracket, Mtg, Sqge	1
▲	4 611048	(00000000-	) Screw, Hex, .38- 16 X 1.25, Ss	1
▲	5 140925	(00000000-	) Spacer, Chassis, .19, Brs	1
▲	6 140028	(00000000-	) Washer, Flat, 0.42b 1.00d .05, Ss	1
▲	7 59156	(00000000-	) Nut, Hex, Lock, .38- 16, NI, Ss	1
▲	8 630258	(00000000-	) Pin, Clevis, 0.38d X 1.00l	3
▲	9 612254000	(00000000-	) Pin, Cotter, Hair, 0.38d	3
▲	10 102560	(00000000-	)● Pad, Adh, Non- Slip, 1.62 Sq, Blk	1
▲	11 603547	(00000000-	) Hose, Vacuum, 1.50id X 046.0l, 2cuff,Blk	1
▲	12 1014079	(00000000-	) Clip, Grip, Hose, 1.50id, Dbl, Blk Pyp	1
▲▽	13 602831	(00000000-	)● Squeegee Assy, W/ Mold Blade, 27.0inch (27.0 IN)	1
▲▽	13 603494	(00000000-	)● Squeegee Assy, 33.0 [Molded Blades] (33.0 IN)	1
▲▽	13 603496	(00000000-	)● Squeegee Assy [F/3301 Mold] (40.0 IN)	1
▲▲	14 230727.BK	(00000000-	) Channel, Sqge (27.0 IN)	1
▲▲	14 230682.BK	(00000000-	) Channel, Sqge [Ss- 27] (33.0 IN)	1
▲▲	14 230685.BK	(00000000-	) Plate, Blade, Sqge [Ss- 33] (40.0 IN)	1
▲▲	15 100150	(00000000-	)● Gasket, Sqge	1
▲▲	16 230725.BK	(00000000-	) Plate, Rear, Sq, 20.0inch [Bk] (27.0 IN)	1
▲▲	16 230669.BK	(00000000-	) Plate, Blade, Sqge [Ss- 27] (33.0 IN)	1
▲▲	16 230685.BK	(00000000-	) Plate, Blade, Sqge [Ss- 33] (40.0 IN)	1
▲▲	17 230723.BK	(00000000-	) Plate, Front, Sqge Blade, 20.0inch (27.0 IN)	1
▲▲	17 230670.BK	(00000000-	) Plate, Front, Sqge [Ss- 27] (33.0 IN)	1
▲▲	17 230686.BK	(00000000-	) Plate, Front, Sqge [Ss- 33] (40.0 IN)	1
▲▲	18 603659	(00000000-	)● Blade, Sqge, 027.0l Ure (27.0 IN)	2
▲▲	18 603661	(00000000-	)● Blade, Sqge, 34.0l (33.0 IN)	2
▲▲	18 603662	(00000000-	)● Blade, Sqge, 40.0l, Ure (40.0 IN)	2
▲▲	19 605975	(00000000-	) Screw, Trs, Phl, 10- 24 X 0.50, Sems, Ss	18-28
▲▲	20 1011094	(00000000-	)● Knob, Star, 1.50d 5ear .31- 18, Thru, Pyp	2
▲▲	21 140221	(00000000-	) Screw, Hex, .31- 18 X 1.25, Ss	2
▲▲	22 1014918	(00000000-	)● Wheel, 03.0d 0.88w 0.31b, W/ Bshg, Rbr	2
▲▲	23 140799	(00000000-	) Screw, Trs, .31- 18 X 1.50, Phl, Ss	2
▲▲	24 700844	(00000000-	)● Roller Assy, Sqge	2
▲▲	25 140226	(00000000-	) Screw, Hex, .31- 18 X 0.62, Ss	2
▲▲	26 140015	(00000000-	) Washer, Lock, Split, 0.31, Ss	2

▽ ASSEMBLY

▲ INCLUDED IN ASSEMBLY

● RECOMMENDED STOCK ITEMS