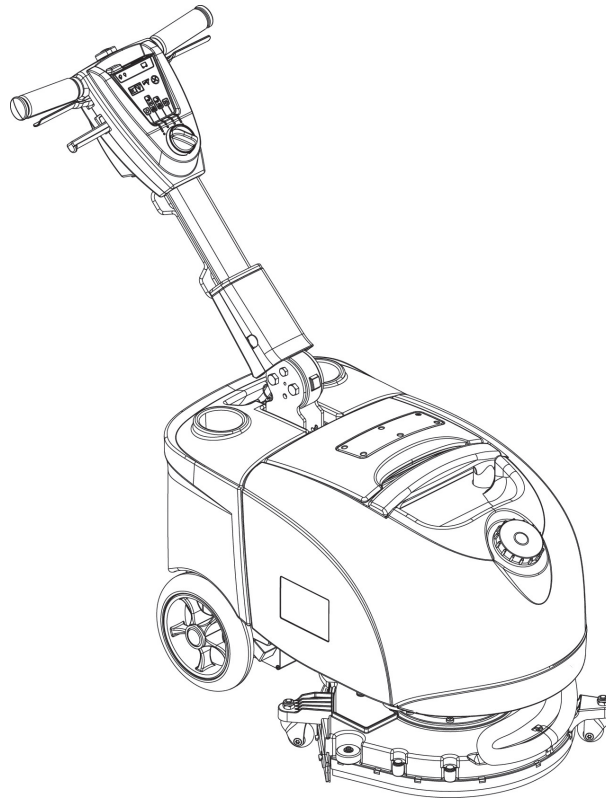
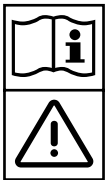


Clarke®

Vantage 14



Instructions For Use - Original Instructions / Instrucciones de uso / Mode d'emploi
Model: 9087305020



READ THIS BOOK

LEA ESTE MANUAL

LISEZ CE MANUEL

EN English (1 - 18)

ES Español (19 - 36)

FR Français (37 - 54)

This book has important information for the use and safe operation of this machine. Failure to read this book prior to operating or attempting any service or maintenance procedure to your Clarke machine could result in injury to you or to other personnel; damage to the machine or to other property could occur as well. You must have training in the operation of this machine before using it. If your operator(s) cannot read this manual, have it explained fully before attempting to operate this machine.

All directions given in this book are as seen from the operator's position at the rear of the machine.

TABLE OF CONTENTS

INTRODUCTION	2
MANUAL PURPOSE AND CONTENTS	2
TARGET.....	2
HOW TO KEEP THIS MANUAL.....	2
IDENTIFICATION DATA.....	2
OTHER REFERENCE MANUALS.....	2
SPARE PARTS AND MAINTENANCE.....	2
CHANGES AND IMPROVEMENTS	2
OPERATION CAPABILITIES	2
CONVENTIONS	2
UNPACKING/DELIVERY	3
SAFETY	3
SYMBOLS	3
GENERAL INSTRUCTIONS.....	4
SYMBOLS SHOWN ON THE MACHINE.....	5
MACHINE DESCRIPTION	6
MACHINE STRUCTURE	6
HANDLEBAR WITH CONTROL PANEL.....	7
ACCESSORIES/OPTIONS.....	7
TECHNICAL DATA.....	8
WIRING DIAGRAM.....	9
USE	10
BATTERY CHECK/SETTING ON A NEW MACHINE	10
BATTERY INSTALLATION.....	10
BEFORE MACHINE START-UP	11
MACHINE START AND STOP.....	12
MACHINE OPERATION (SCRUBBING/DRYING).....	12
MACHINE TRANSPORT/PARKING	13
TANK EMPTYING	13
AFTER USING THE MACHINE	14
MACHINE LONG INACTIVITY	14
FIRST PERIOD OF USE	14
MAINTENANCE	14
SCHEDULED MAINTENANCE TABLE	14
SQUEEGEE CLEANING	15
SQUEEGEE BLADE CHECK AND REPLACEMENT	15
BRUSH CLEANING	16
TANK, COVER AND VACUUM GRID CLEANING.....	16
VACUUM SYSTEM MOTOR FILTER AND GASKET CLEANING	16
MACHINE SPEED ADJUSTMENT	17
BATTERY CHARGING	17
FUSE CHECK/REPLACEMENT/RESET.....	18
TROUBLESHOOTING	18
SCRAPPING	18
PARTS LIST	55

INTRODUCTION



NOTE

The numbers in brackets refer to the components shown in Machine Description chapter.

MANUAL PURPOSE AND CONTENTS

The purpose of this Manual is to provide the operator with all necessary information to use the machine properly, in a safe and autonomous way. It contains information about technical data, safety, operation, storage, maintenance, spare parts and disposal. Before performing any procedure on the machine, the operators and qualified technicians must read this Manual carefully. Contact Clarke in case of doubts concerning the interpretation of the instructions and for any further information.

TARGET

This Manual is intended for operators and technicians qualified to perform the machine maintenance.

The operators must not perform procedures reserved for qualified technicians. Clarke will not be answerable for damages coming from the non-observance of this prohibition.

HOW TO KEEP THIS MANUAL

The Operator's Manual must be kept near the machine, inside an adequate case, away from liquids and other substances that can cause damage to it.

IDENTIFICATION DATA

The machine model and serial number are marked on the plate (27).

The machine production year is written in the declaration of conformity and it is also indicated by the first two figures of the machine serial number.

This information is useful when requiring machine spare parts. Use the following table to write down the machine identification data.

MACHINE model
MACHINE serial number

OTHER REFERENCE MANUALS

- Electronic battery charger Manual (an integral part of this Manual, and available upon request)
- Moreover, the following Manuals are available:
- Service Manual (that can be consulted at any Clarke Service Center)
 - Spare Parts List (supplied with the machine)

SPARE PARTS AND MAINTENANCE

All necessary operating, maintenance and repair procedures must be performed by qualified personnel or by Clarke Service Centers.

Only original spare parts and accessories must be used.

Call Clarke for service or to order spare parts and accessories, specifying the machine model and serial number.

CHANGES AND IMPROVEMENTS

Clarke constantly improves its products and reserves the right to make changes and improvements at its discretion without being obliged to apply such benefits to the machines that were previously sold.

Any change and/or addition of accessory must be approved and performed by Clarke.

OPERATION CAPABILITIES

This scrubber-dryer is used to clean (scrubbing and drying) smooth and solid floors, in civil or industrial environment, under safe operation conditions by a qualified operator.

The scrubber-dryer cannot be used for fitted carpet and carpet cleaning.

CONVENTIONS

Forward, backward, front, rear, left or right are intended with reference to the operator's position, that is to say in driving position with the hands on the handlebar (1).

UNPACKING/DELIVERY

To unpack the machine, carefully follow the instructions on the packing.

Upon delivery carefully check that the machine and its packing have not been damaged during transportation. In case of visible damages, keep the packing and have it checked by the carrier that delivered it. Call the carrier immediately to complete a damage claim.

Check that the machine is equipped with the following features:

- Technical documents:
 - Scrubber-dryer Operator's Manual
 - Battery Charger Manual
 - Scrubber-dryer Spare Parts List
 - Lamellar fuses

SAFETY

The following symbols indicate potentially dangerous situations. Always read this information carefully and take all necessary precautions to safeguard people and property.

The operator's cooperation is essential in order to prevent injury. No accident prevention program is effective without the total cooperation of the person responsible for the machine operation. Most of the accidents that may occur are caused by failure to comply with the simplest rules for exercising prudence. A careful and prudent operator is the best guarantee against accidents and is essential for successful completion of any accident prevention program.

SYMBOLS



DANGER!

It indicates a dangerous situation with risk of death for the operator.



WARNING!

It indicates a potential risk of injury for people or damage to objects.



CAUTION!

It indicates a caution or a remark related to important or useful functions. Pay careful attention to the paragraphs marked by this symbol.



NOTE

It indicates a remark related to important or useful functions.



CONSULTATION

It indicates the necessity to refer to the Operator's Manual before performing any procedure.

GENERAL INSTRUCTIONS

Specific warnings and cautions to inform about potential damages to people and machine are shown below.



DANGER!

- *Before performing any machine maintenance, repair, cleaning or replacement procedure, disconnect the battery connector and turn the main switch to "0".*
- *This machine must be used by properly trained operators only.*
- *Keep the battery away from sparks, flames and incandescent material. During the normal operation explosive gases are released.*
- *Do not wear jewelry when working near electrical components.*
- *Do not work under the lifted machine without supporting it with safety stands.*
- *Do not operate the machine near toxic, dangerous, flammable and/or explosive powders, liquids or vapors: This machine is not suitable for collecting dangerous powders.*
- *Battery charging produces highly explosive hydrogen gas. Keep the cover open during battery charging and perform this procedure in well-ventilated areas and away from naked flames.*

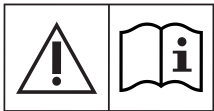


WARNING!

- *Carefully read all the instructions before performing any maintenance/repair procedure.*
- *Before using the battery charger, ensure that frequency and voltage values, indicated on the machine serial number plate, match the electrical mains voltage.*
- *Do not pull or carry the machine by the battery charger cable and never use the battery charger cable as a handle. Do not close a door on the battery charger cable, or pull the battery charger cable around sharp edges or corners. Do not run the machine on the battery charger cable.*
- *Keep the battery charger cable away from heated surfaces.*
- *Do not use the machine if the battery charger cable or plug is damaged. If the machine is not working as it should, has been damaged, left outdoors or dropped into water, return it to the Service Center.*
- *To reduce the risk of fire, electric shock, or injury, do not leave the machine unattended when it is plugged in. Before performing any maintenance procedure, disconnect the battery charger cable from the electrical mains.*
- *Do not smoke while charging the battery.*
- *Always protect the machine against the sun, rain and bad weather, both under operation and inactivity condition. Store the machine indoors, in a dry place: This machine must be used in dry conditions, it must not be used or kept outdoors in wet conditions.*
- *Before using the machine, close all doors and/or covers.*
- *Do not allow to be used as a toy. Close attention is necessary when used near children.*
- *Use only as shown in this Manual. Use only Clarke's recommended accessories.*
- *Take all necessary precautions to prevent hair, jewelry and loose clothes from being caught by the machine moving parts.*
- *Pay attention to the machine moving parts. When using the machine, the deck can abruptly turn by 180°.*
- *Do not use the machine on incline.*
- *Do not tilt the machine more than the angle indicated on the machine itself, in order to prevent instability.*
- *Do not use the machine in particularly dusty areas.*
- *Use the machine only where proper lighting is provided.*

**WARNING!**

- While using this machine, take care not to cause damage to people or objects.
- Do not bump into shelves or scaffoldings, especially where there is a risk of falling objects.
- Do not lean liquid containers on the machine, use the relevant can holder.
- The machine operating temperature must be between +32°F and 104°F (0°C and +40°C).
- The machine storage temperature must be between +32°F and 104°F (0°C and +40°C).
- The humidity must be between 30% and 95%.
- When using floor cleaning detergents, follow the instructions on the labels of the detergent bottles.
- To handle floor cleaning detergents, wear suitable gloves and protections.
- Do not allow the brushes to operate while the machine is stationary to avoid damaging the floor.
- In case of fire, use a powder fire extinguisher, not a water one.
- Do not tamper with the machine safety guards and follow the ordinary maintenance instructions scrupulously.
- Do not allow any object to enter into the openings. Do not use the machine if the openings are clogged. Always keep the openings free from dust, hairs and any other foreign material which could reduce the air flow.
- Do not remove or modify the plates affixed to the machine.
- This machine cannot be used on roads or public streets.
- Pay attention during machine transportation when temperature is below freezing point. The water in the recovery tank or in the hoses could freeze and seriously damage the machine.
- Use brushes and pads supplied with the machine or those specified in the Operator's Manual. Using other brushes or pads could reduce safety.
- In case of machine malfunctions, ensure that these are not due to lack of maintenance. Otherwise, request assistance from the authorized personnel or from an authorized Service Center.
- If parts must be replaced, require ORIGINAL spare parts from an Authorized Dealer or Retailer.
- To ensure machine proper and safe operation, the scheduled maintenance shown in the relevant chapter of this Manual, must be performed by authorized personnel or by an authorized Service Center.
- Do not wash the machine with direct or pressurized water jets, or with corrosive substances.
- The machine must be disposed of properly, because of the presence of toxic-harmful materials (battery, etc.), which are subject to standards that require disposal in special centers (see Scrapping chapter).

SYMBOLS SHOWN ON THE MACHINE**WARNING!**

Carefully read all instructions before performing any procedure on the machine.

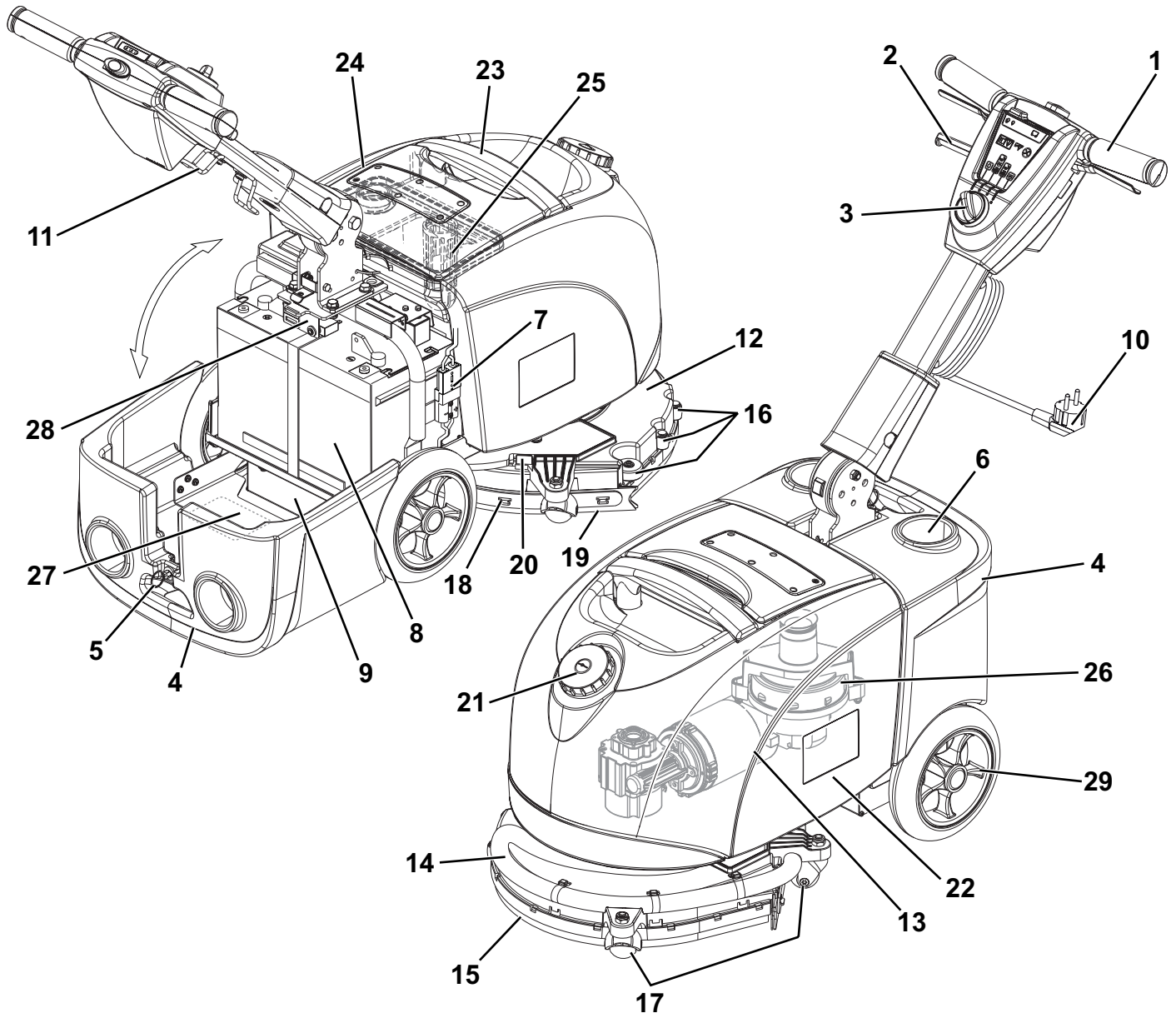
**WARNING!**

Do not wash the machine with direct or pressurized water jets.

MACHINE DESCRIPTION

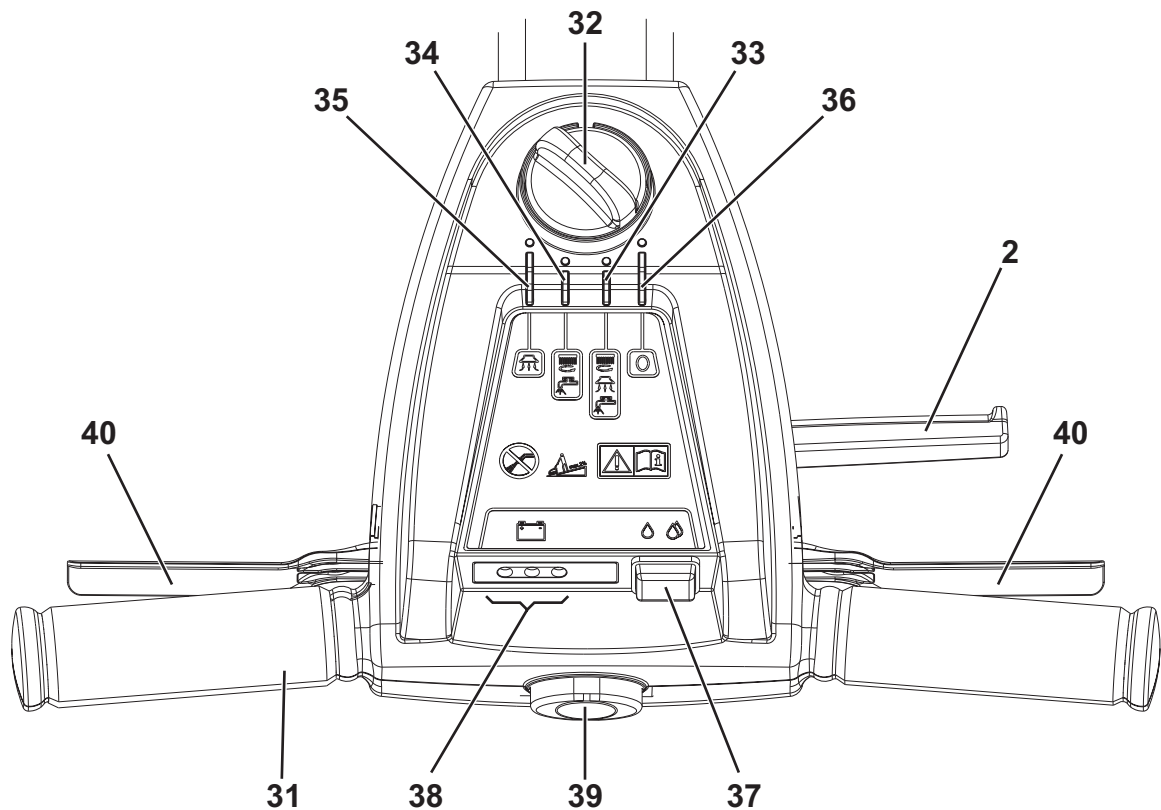
MACHINE STRUCTURE

- | | |
|---|---|
| 1. Handlebar with control panel (see the following paragraph) | 17. Deck support wheels |
| 2. Handlebar inclination adjusting lever | 18. Squeegee |
| 3. Start-up and program selection knob | 19. Squeegee blades assembly |
| 4. Accessory and battery compartment cover | 20. Squeegee fasteners |
| 5. Cover latch | 21. Solution tank filler neck |
| 6. Can holder | 22. Tank assembly (solution and recovery water) |
| 7. Battery connection connector | 23. Tank assembly lifting handle |
| 8. GEL/AGM battery | 24. Transparent cover with vacuum grid |
| 9. Battery charger | 25. Vacuum grid with automatic shut-off float |
| 10. Battery charger cable | 26. Vacuum system motor |
| 11. Battery charger cable holder | 27. Serial number plate/technical data/conformity certification |
| 12. Brush/pad-holder deck | 28. Fuses |
| 13. Brush deck gearmotor | 29. Rear wheels on fixed axle |
| 14. Squeegee vacuum hose | |
| 15. Splash-shield | |
| 16. Deck bumper wheels | |



HANDLEBAR WITH CONTROL PANEL

- | | |
|--|---|
| <ul style="list-style-type: none"> 31. Handlebar 32. Program selection knob 33. Program: brush - vacuum system - solution flow activation 34. Program: brush - solution flow activation 35. Program: vacuum system activation 36. Machine switching off ("0") 37. Solution flow selection switch <ul style="list-style-type: none"> • One drop - minimum solution flow • Two drops - maximum solution flow | <ul style="list-style-type: none"> 38. Battery warning lights <ul style="list-style-type: none"> • Green warning light - charged battery • Yellow warning light - semi-discharged battery • Red warning light - discharged battery 39. Machine start-up enabling push-button 40. Machine start/stop levers |
|--|---|



P100448

ACCESSORIES/OPTIONS

In addition to the standard components, the machine can be equipped with the following accessories/options, according to the machine specific use:

- Brushes of different materials
- Pads of different materials

For further information concerning the optional accessories, contact an authorized Retailer.

TECHNICAL DATA

General	Vantage 14
Min/max machine length at the handlebar	28.7 / 50 in (730 / 1,270 mm)
Machine width	18.5 in (470 mm)
Min/max machine height with adjustable handlebar	21.6 / 39.3 in (550 / 1,000 mm)
Weight without battery and with empty tanks	97 lb (44 kg)
Maximum weight with battery and full tanks (GVW)	178.5 lb (81 kg)
Cleaning width	14.5 in (370 mm)
Battery compartment size	13.8x6.9x9.5 in (350x175x240 mm)
Diameter of wheels on fixed axle	14.5 in (370 mm)
Brush/pad diameter	14.5 in (370 mm)
Rear wheel pressure on the floor	87 psi (0.6 N/mm ²)
Brush/pad pressure on the floor	46.3 lb (21 Kg)
Brush/pad pressure with full tank	66 lb (30 Kg)
Performance	Vantage 14
Vacuuming	0.007 MPa (710 mmH ₂ O)
Min/max solution flow	One drop: 0.066 gpm (0.25 liters/min) Two drops: 0.13 gpm (0.5 liters/min)
Brush/pad-holder motor speed	140 rpm
Sound pressure level at workstation (ISO 11201, ISO 4871, EN 60335-2-72) (LpA)	64 dB(A) ± 3 dB(A)
Machine sound pressure level (ISO 3744, ISO 4871, EN 60335-2-72) (LwA)	84 dB(A)
Vibration level at the operator's arms (ISO 5349-1, EN 60335-2-72)	98.4 in/s ² (< 2.5 m/s ²)
Vacuum system motor power	0.27 hp (200 W)
Brush/pad motor power	0.32 hp (240 W)
Maximum gradient when working	1,14° (2%)
Battery voltage	12 V
Standard battery	12V 87AhC5 AGM Battery
Standard battery autonomy	2 hour
Solution tank capacity	2.9 USgal (11 liters)
Recovery tank capacity	3.2 USgal (12 liters)

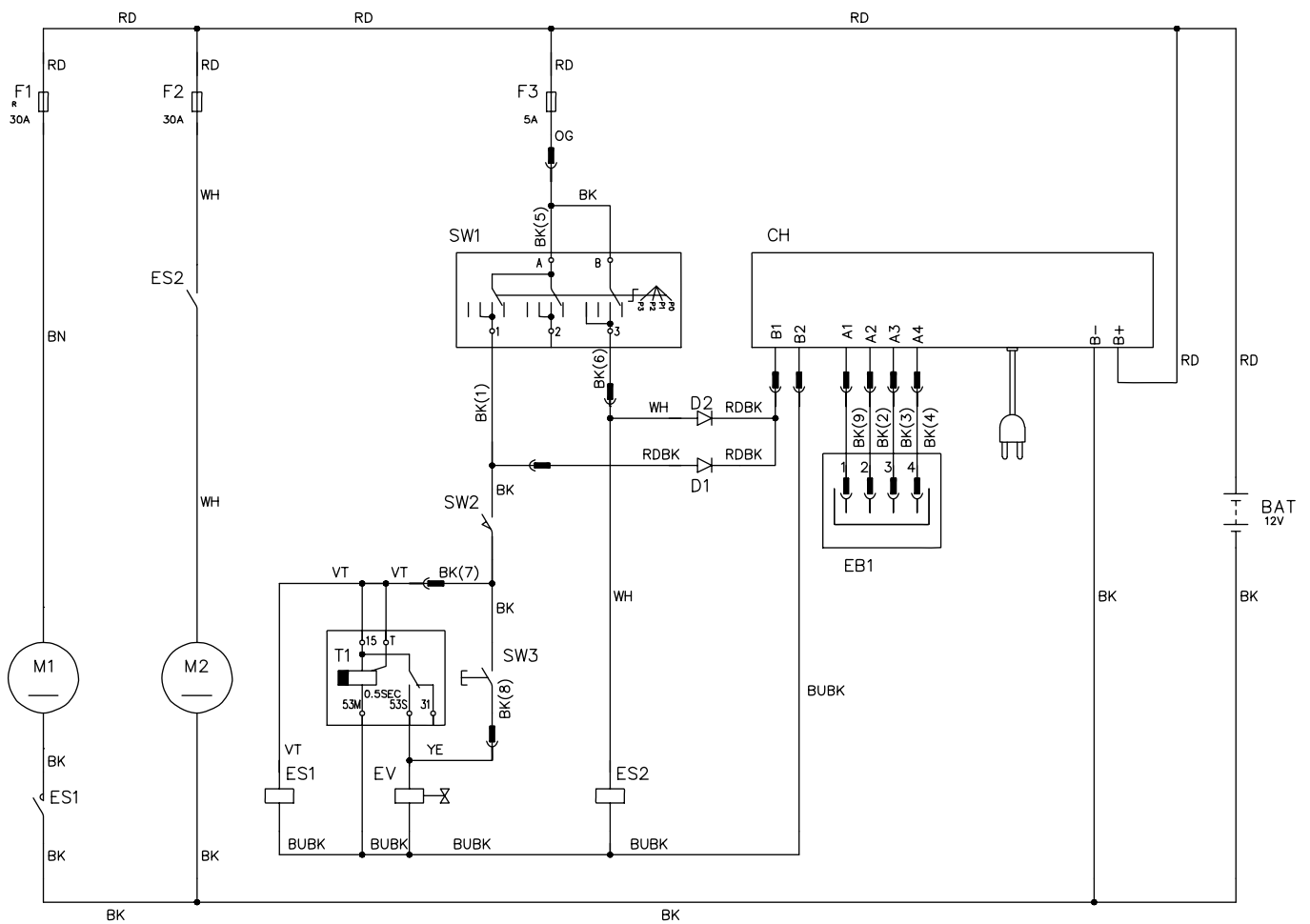
WIRING DIAGRAM

Key

BAT	12 V battery
CH	Battery charger
D1	Diode
D2	Diode
EB1	Battery charger electronic board
ES1	Brush motor electromagnetic switch
ES2	Vacuum system motor relay
EV	Solution solenoid valve
F1	Brush motor circuit breaker (30 A)
F2	Vacuum system motor fuse (30 A)
F3	Function selector fuse (5 A)
M1	Brush motor
M2	Vacuum system motor
SW1	Function selector
SW2	Brush motor-solenoid valve enabling switch
SW3	Solution rate switch
T1	Solenoid valve timer

Color codes

BK	Black
BU	Blue
BN	Brown
GN	Green
GY	Grey
OG	Orange
PK	Pink
RD	Red
VT	Violet
WH	White
YE	Yellow



P100406

USE**WARNING!**

On some points of the machine there are some adhesive plates indicating:

- **DANGER**
- **WARNING**
- **CAUTION**
- **CONSULTATION**

While reading this Manual, the operator must pay particular attention to the symbols shown on the plates. Do not cover these plates for any reason and immediately replace them if damaged.

BATTERY CHECK/SETTING ON A NEW MACHINE**WARNING!**

The electric components of the machine can be seriously damaged if the battery is either improperly installed or connected. The battery must be installed by qualified personnel only. Check the battery for damage before installation.

Disconnect the battery connector and the battery charger plug.

Handle the battery with great care.

Install the battery terminal protection caps supplied with the machine.

The machine requires 1 12V battery.

The machine is supplied in the following configuration:

GEL/AGM battery already installed on the machine

1. Open the cover (4) and check that the battery is connected to the machine with the connector (7).
2. Start the machine (see Machine Start and Stop paragraph). If the green warning light (38) turns on, the batteries are ready to be used.
3. If the yellow or red warning light turns on, the battery must be charged (see the procedure in Maintenance chapter).

Without battery

1. Buy appropriate battery (see the Technical Data paragraph).
For battery choice and installation, apply to qualified battery Retailers.
2. Install the battery (see the following paragraph).
3. Charge the battery.

BATTERY INSTALLATION

1. Open the cover (4) and check that the battery connector (7) is disconnected.
2. Install the battery on the machine and fasten it with the relevant bracket.

**DANGER!**

This machine requires sealed lead batteries (GEL or AGM technology).

Do not use batteries with liquid electrolyte or not sealed (WET) for any reason.

**WARNING!**

The installed battery (GEL/AGM) may require a specific charging algorithm: contact a Clarke Service Center to set the charging algorithm suitable to the battery.

Battery charging

3. Charge the battery (see the procedure in Maintenance chapter).

BEFORE MACHINE START-UP

Brush/pad-holder installation/removal



NOTE

Install either the brush (A, Fig. 1) or the pad-holder (B and C) according to the type of floor to be cleaned.

1. Lift the brush/pad-holder deck (12) using the handlebar (1).
 2. Place the brush (A, Fig. 1) or the pad-holder (B and C) under the deck (12).
 3. Lower the deck (12) by using the handlebar (1).
 4. Turn the knob (32) on one of the indicated programs.
 5. Press the enabling push-button (39) together with the brush levers (40) to engage the brush/pad-holder.
- To remove the brush/pad-holder, perform the following procedures.
6. Switch off the machine by turning the knob (32) to "0".
 7. Lift the machine deck using the handlebar (1), then manually release the brush/pad-holder from the hub, by turning it abruptly in its normal rotation direction (D, Fig. 1).

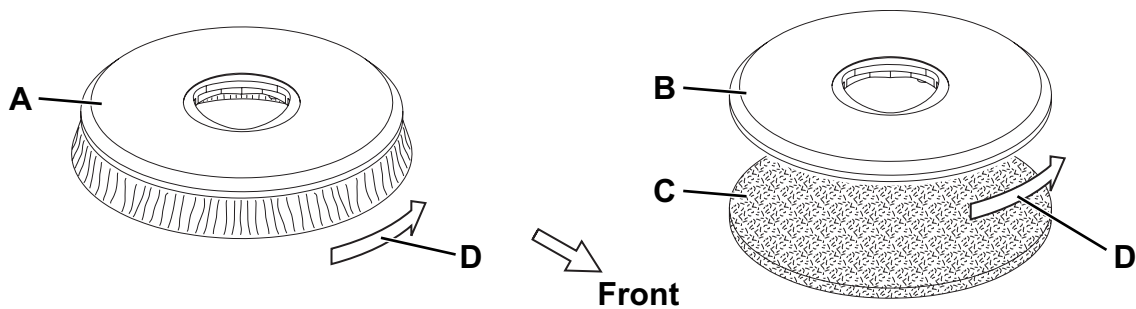


Figure 1

P100407

Available brushes and their relevant application guides (suggestions only and see Recommended spare parts for part numbers)

	Models	MIDLITE GRIT 180	MIDGRIT 240	PROLITE	UNION MIX
General cleaning	Concrete				
	Terrazzo floor				
	Ceramic tiles/quarzystones				
	Marble				
	Vinyl tiles				
	Rubber tiles				
Polishing	Rubber tiles				
	Marble				
	Vinyl tiles				

Solution tank filling

8. Open the filler neck (21), fill the tank (22) with a solution suitable for the work to be performed. Do not fill the solution tank completely, leave a few inches from the top. Always follow the dilution instructions on the label of the chemical product used to prepare the solution. The solution temperature must not exceed 104° F (40°C).



CAUTION!

Use only low-foam and non-flammable detergents, intended for automatic scrubber applications.

Adjustments

9. Adjust the height and the inclination of the handlebar (1) with the lever (2) to reach a comfortable position.

MACHINE START AND STOP

Starting the machine

1. Prepare the machine as shown in the previous paragraph.
2. Turn the solution flow control switch (37) to one of the following positions, according to the type of cleaning to be performed:
 - One drop: chose this position to clean floors which are not very dirty; in this setting the machine will dispense solution for approximately 50 minutes (0.25 liters/min average).
 - Two drops: chose this position to clean floors which are quite or very dirty; in this setting the machine will dispense solution for approximately 25 minutes (0.5 liters/min average).
3. Turn the knob (32) to the suitable program.
 - (33) brush - vacuum system - solution flow activation
 - (34) brush - solution flow activation
 - (35) vacuum system activation
4. While keeping hands on the handlebar (1), start the machine by pressing the enabling push-button (39) together with the brush levers (40).



NOTE

If the green battery warning light (38) turns on, the machine is ready to be used. If the yellow or red warning light turns on, the battery must be charged (see the procedure in Maintenance chapter).

Stopping the machine

5. Release the brush levers (40) and the enabling push-button (39).
6. Turn the knob (32) to "0" position to switch off the machine.

MACHINE OPERATION (SCRUBBING/DRYING)

1. Start the machine as shown in the previous paragraph.
2. While keeping both hands on the handlebar (1), move the machine and start scrubbing/drying the floor.
3. If necessary, adjust the solution quantity by using the switch (37).
4. When necessary, to use the squeegee in the opposite direction, pry on the handlebar (1) and slightly lift the deck while the brush is turning. When the deck is turned by 180° start to scrub/dry by drawing the machine.

To resume working in the normal forward direction, push the machine forward until the deck returns to the original position.



WARNING!

Pay attention when lifting the deck with the brush turning: The deck will suddenly turn by 180°. Pay attention to the moving part, do not hit and/or damage things, walls or people.



CAUTION!

To avoid damaging the floor surface, do not use the brush without the solution and, when the machine is not operating, stop the brush/pad-holder by releasing the levers (40).



CAUTION!

Before lifting the brush/pad, turn it off by releasing the levers (40).



NOTE

For correct scrubbing/drying of floors at the sides of the walls, Clarke suggests to go near the walls with the right side of the machine as shown in figure 2.

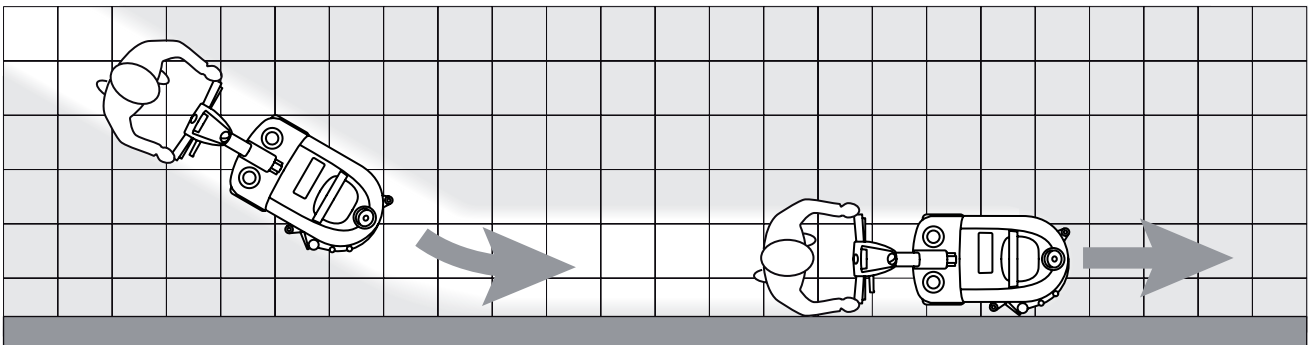


Figure 2

P100449

Machine speed adjustment

- The machine speed varies according to the type of floor to be cleaned and the choice of using the brush or the pad. If necessary, it is possible to adjust the machine speed, according to the procedure shown in the Maintenance chapter.

Battery discharge during operation

- Until the green warning light (38) stays on, the batteries allow the machine to work normally. When the green warning light turns off and the yellow and red warning lights turn on in sequence, it is necessary to charge the battery as the machine residual autonomy is at the minimum level.



CAUTION!

Do not use the machine with discharged battery, to avoid damaging the battery and reducing the battery life.

MACHINE TRANSPORT/PARKING

To transport/park the machine, proceed as follows.

- Switch off the machine by turning the knob (32) to "0".
- Grab the handlebar (1) and slightly lift the machine brush deck. While holding the machine in this position, move it to the transport/parking area.
- When finishing working, it is advisable to remove the brush/pad in order not to drag it on the floor and leave wet marks (see the Brush/pad holder installation removal procedure).

TANK EMPTYING

An automatic float shut-off system (25) turns off the vacuum system when the recovery tank (23) is full.

The vacuum system shutdown, due to the recovery tank being filled, is signalled by an increase in the vacuum system motor noise, moreover the floor is not dried.



CAUTION!

If the vacuum system turns off accidentally (for example, when the float is activated because of a sudden machine movement), to resume the operation: turn off the machine with the knob (32), check that the float inside the grid (25) has gone down to the water level. Then turn on the vacuum system by pressing the knob (32).

When the recovery tank (23) is full, empty it according to the following procedure.

Solution and recovery tank emptying

- Switch off the machine by turning the knob (32) to "0".
- Drive the machine to the appointed disposal area.
- Remove the transparent cover (24).
- Grasp the handle (23) and lift the tank assembly (22).
- Drain the recovery tank. Then, rinse the tank with clean water.
- Open the filler neck (21) and drain the solution tank. Then, rinse the tank with clean water.

AFTER USING THE MACHINE

After working, before leaving the machine:

1. Empty the tanks (23 and 22) as shown in the previous paragraph.
2. Perform the daily maintenance procedures (in the following paragraph).
3. Store the machine in a clean and dry place, with the brush/pad-holder and the squeegee blades lifted or removed.

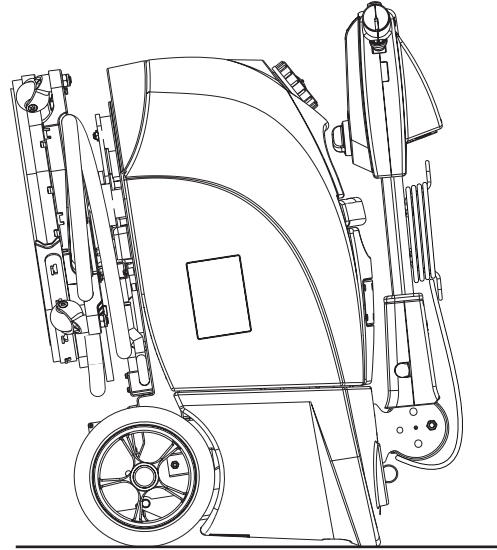


Figure 3

P100451

MACHINE LONG INACTIVITY

If the machine is not going to be used for more than 30 days, proceed as follows:

1. Perform the procedures shown in the previous paragraph.
2. Open the cover (4) and disconnect the battery connector (7).
3. Store the machine in a clean and dry place.
4. To safeguard the brush or squeegee blades, turn the handlebar (1) forward and park the machine as shown in figure 3.

FIRST PERIOD OF USE

After the first 8 hours, check the machine fastening and connecting parts for proper tightening. Check the visible parts for integrity and leakage.

MAINTENANCE

The lifespan of the machine and its maximum operating safety are ensured by correct and regular maintenance. The following chart provides the scheduled maintenance. The intervals shown may vary according to particular working conditions, which are to be defined by the person in charge of the maintenance.



WARNING!

Maintenance procedures must be performed with the machine switched off and the battery/battery charger cable disconnected.

Moreover, carefully read the instructions in the Safety chapter.

All scheduled or extraordinary maintenance procedures must be performed by qualified personnel, or by an authorized Service Center. This Manual describes only the easier and most common maintenance procedures.



NOTE

For other maintenance procedures shown in the Scheduled Maintenance Table, refer to the Service Manual that can be consulted at any Service Center.

SCHEDULED MAINTENANCE TABLE

Procedure	Daily, after using the machine	Weekly	Every six months	Yearly
Squeegee cleaning				
Brush cleaning				
Tank and vacuum grid cleaning				
Squeegee blade check and/or replacement				
Battery charging				
Screw and nut tightening check			(1)	
Brush deck rubber pad check and/or replacement				(2)
Brush deck end-of-stroke cable check and/or replacement				(2)
Brush deck rubber flange check and/or replacement				(2)

(1) And after the first 8 working hours.

(2) For the relevant procedure, refer to the Service Manual.

SQUEEGEE CLEANING



NOTE

The squeegee must be clean and its blades must be in good condition for proper water pick-up.



WARNING!

It is advisable to wear protective gloves when cleaning the squeegee because there may be sharp debris.

1. Drive the machine on a level floor.
2. Turn the knob (32) to "0" and disconnect the battery (7).
3. Fully turn the brush/pad-holder deck (12) counter-clockwise.
4. Disconnect the vacuum hose (A, Fig. 4) from the squeegee by loosening the hose clamp.
5. Disengage the fasteners (B) and remove the squeegee (C) by pulling the squeegee off in a downward direction from the deck cover.
6. Clean the squeegee. In particular, clean the compartments (D) and the vacuum hole (E) from dirt and debris.
7. Check the front blade (F) and the rear blade (G) for integrity, cuts and tears; if necessary replace them (see the following paragraph).
8. Assemble the components in the reverse order of disassembly.

SQUEEGEE BLADE CHECK AND REPLACEMENT

1. Clean the squeegee as shown in the previous paragraph.
2. Check the front blade (F, Fig. 4) and the rear blade (G) for integrity, cuts and tears; otherwise replace them according to the following procedure. Also check the front corner (H) of the rear blade for wear; if it is worn, turn the blade over to replace the worn corner with the other one (I), if it is integral. If the other corner is worn too, replace the blade according to the following procedure:
 - Remove the blade by disengaging the fastener straps (K or M) from the fasteners (J), then replace (or overturn) the blade (G or F).
 - Install the blade by engaging it to the fasteners together with the fastening strap.
3. Install the squeegee (C) by installing the fasteners (B) in the deck cover.
4. Connect the vacuum hose (A) to the squeegee by tightening the hose clamp.

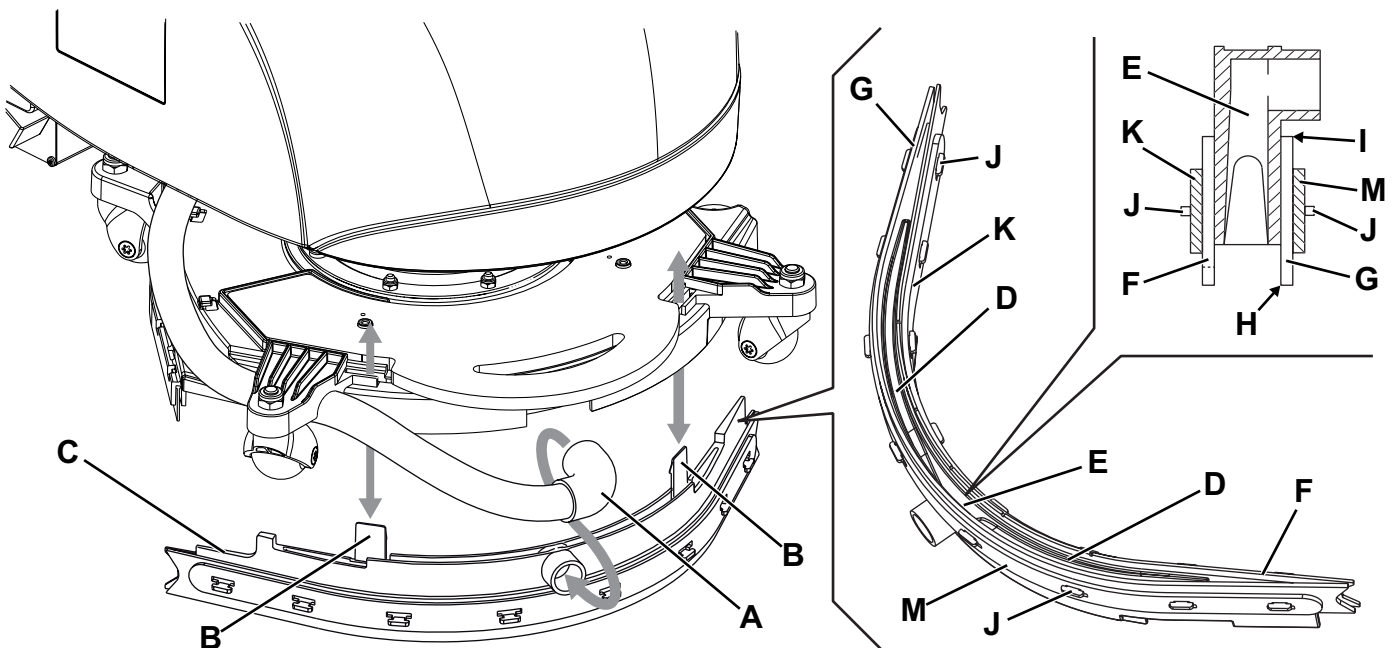


Figure 4

P100452

BRUSH CLEANING



NOTE

It is advisable to wear protective gloves when cleaning the brush because there may be sharp debris.

1. Remove the brush, as shown in Brush/pad holder installation/removal procedure.
2. Clean the brush with water and detergent.
3. Check the brush bristles for integrity and wear; if necessary, replace the brush.

TANK, COVER AND VACUUM GRID CLEANING

1. Drive the machine to the appointed disposal area.
2. Turn the knob (32) to "0" and disconnect the battery (7).
3. Lift the cover (A, Fig. 5), then clean and wash the cover and the vacuum grid (B) with clean water. Drain the water from the tanks (C) and clean them.
4. If necessary, disengage the grid (B) by turning it and remove the float (D), then clean with care and reinstall.
5. Check the gaskets (E) and (F) for integrity.



NOTE

The gaskets (E) and (F) create vacuum in the tank that is necessary for vacuuming the recovery water.

If necessary replace the gaskets by removing them from their housings (G) on the cover (A). When assembling the new gasket (E), install the joint (H) in the area shown in the figure.

6. Check that the seating surface (I) of the gaskets (E) and (F) is clean and adequate for the gasket themselves. If necessary, remove the screws (J), open the cover (K) and check the gasket (L) for integrity, then clean with care and reinstall.
7. Close the recovery tank cover (A).

VACUUM SYSTEM MOTOR FILTER AND GASKET CLEANING



NOTE

The gaskets (M) and (O) create vacuum in the system that is necessary for vacuuming the recovery water.

1. Drive the machine on a level floor.
2. Turn the knob (32) to "0" and disconnect the battery (7).
3. Lift the tank assembly (C) and check the vacuum system motor gasket (M) for integrity. If necessary replace the gasket by removing it from its housing.
4. Check that the pre-filter (N) is clean. If necessary clean it with water and compressed air, then use reinstall it.
5. Check the gasket (O) for integrity. If necessary replace the gasket by removing it from its housing.
6. Clean with care and reinstall.

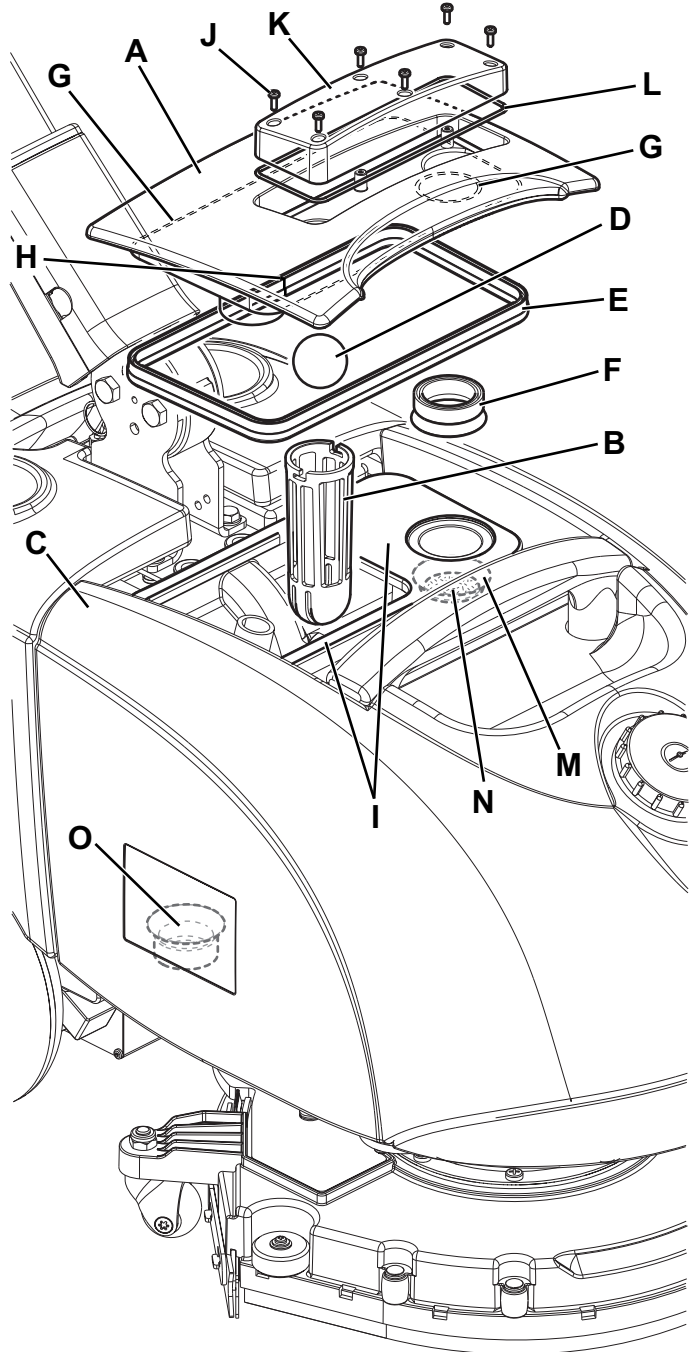


Figure 5

P100453

MACHINE SPEED ADJUSTMENT



NOTE

The machine speed varies according to the type of floor to be cleaned and the choice of using the brush or the pad. If necessary, perform the following procedure.

1. Remove the recovery and the detergent tanks as shown in Tank, cover and vacuum grid cleaning paragraph.
2. Adjust the machine speed with the handwheel (A, Fig. 6) according to the following procedure:
 - Turn it counter-clockwise to increase the machine speed.
 - Turn it clockwise to decrease the machine speed.
3. If it is difficult to keep the machine moving straight-forwardly because it deviates to the left or to the right, adjust the handwheel (B) by turning it clockwise or counter-clockwise.
4. After adjusting, install the tanks as shown in Tank, cover and vacuum grid cleaning paragraph.
5. With the machine ready to operate, perform hands-on tests of the machine and, if other adjustments are necessary, repeat steps 1 to 4.

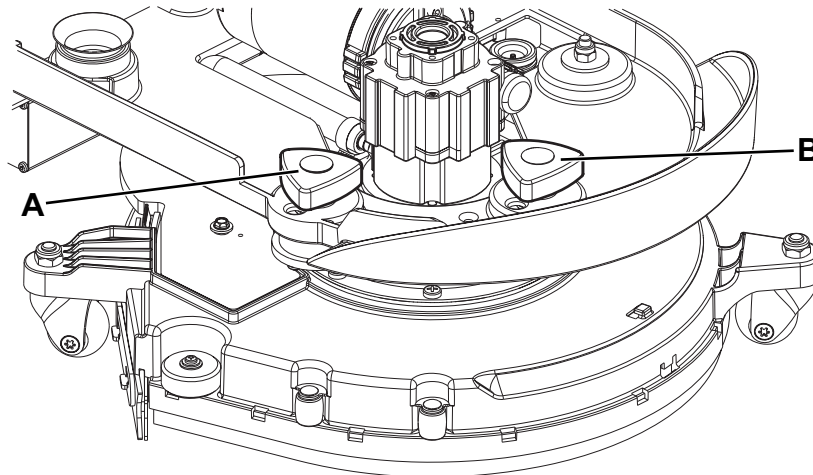


Figure 6

P100413

BATTERY CHARGING



NOTE

Charge the batteries when the yellow or red warning light turns on, or at the end of each working cycle. Keeping the battery charged extend the life of the battery.



CAUTION!

When the battery is discharged, charge as soon as possible. Check for battery charge at least once a week.

1. Drive the machine on a level floor.
2. Turn the knob (32) to "0".
3. Connect the battery charger cable (10) to the electrical mains (the electrical mains voltage and frequency must be compatible with the battery charger values shown on the relevant Manual).



NOTE

When the battery charger is connected to the electrical mains, all machine functions are automatically cut off. The red or yellow warning light (38) is on when the battery charger is charging the batteries.

4. When the green warning light (38) stays on, the battery charging cycle is over.
5. When the battery charging is completed, disconnect the battery charger cable (10) from the electrical mains and wind it around its housing.
6. The machine is now ready to be used.



NOTE

For further information about the operation of the battery charger (26), see the relevant Manual.

FUSE CHECK/REPLACEMENT/RESET

1. Drive the machine on a level floor.
2. Turn the knob (32) to "0" and disconnect the battery (7).
3. Open the cover (4) and check one of the following fuses for deactivation or integrity:
 - (A, Fig 7): F1 (30 A) circuit breaker, brush motor.
 - (B): F3 (5 A) blade fuse, accessories.
 - (C): F2 (30 A) blade fuse, vacuum system motor.
 Reset any deactivated fuse, when the component that caused deactivation has fully cooled down.

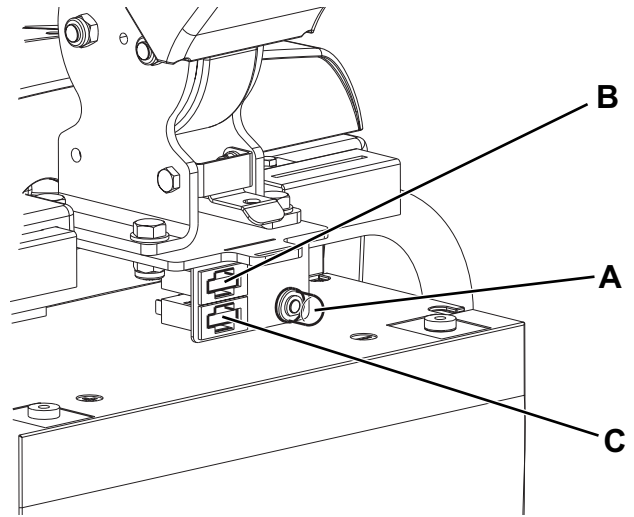


Figure 7

P100414



NOTE
 If fuse reset or replacement does not restore operation, refer to Service Manual or contact Clarke

4. Close the cover (4).

TROUBLESHOOTING

Trouble	Possible Cause	Remedy
The motors do not turn on; no warning light turns on.	The battery connector is disconnected.	Connect.
	The battery is fully discharged.	Charge.
	The F3 fuse is blown.	Replace.
The brush motor does not run.	The F1 fuse has triggered.	Reset the fuse.
The vacuum system motor does not turn on.	The F2 fuse is blown.	Replace.
The dirty water vacuuming is insufficient.	The recovery tank is full.	Empty.
	The vacuum grid is clogged or the float is closing.	Clean the grid and check the float.
	The vacuum hose is disconnected from the squeegee or faulty.	Connect.
	The squeegee is dirty, or the squeegee blades are worn or damaged.	Clean the squeegee or replace the blades.
	The recovery tank cover is not properly closed, or the gaskets are damaged.	Check and/or clean the seating surface or replace the gaskets.
	The vacuum system motor filter is dirty.	Clean.
The solution flow is insufficient.	The detergent duct is dirty/clogged.	Clean.
The squeegee leaves marks on the floor.	There is debris under the squeegee blades.	Remove the debris.
	The squeegee blades are worn, chipped or torn.	Replace the blades.

For further information refer to the Service Manual, available at any Clarke Service Center.

SCRAPPING

Have the machine scrapped by a qualified scrapper.

Before scrapping the machine, remove and separate the following materials, which must be disposed of properly according to the Law in force:

- Battery
- Brushes
- Plastic hoses and components
- Electrical and electronic components (*)

(*) Refer to the nearest Clarke Center especially when scrapping electrical and electronic components.

LEA ESTE LIBRO

Contiene información importante para el uso correcto y seguro de la máquina. Lea este libro completamente antes de arrancar la máquina o hacer cualquier operación de mantenimiento. Si no siga las instrucciones, corre el peligro de herirse o causar lesiones al personal, o causar daños importantes a la máquina o a su entorno. Antes de usar la máquina, es indispensable seguir una formación. Si Usted (o el operador) no habla español, solicite (o proporcionele) todas las informaciones necesarias. El libro está traducido en otros idiomas. Todas las indicaciones de dirección dadas en este libro están dadas desde la posición del operador en la parte de atrás de la máquina. Puede Ud. conseguir libros suplementarios dirigiéndose a su distribuidor Clarke.

ÍNDICE

INTRODUCCIÓN..... 20

FINALIDAD Y OBJETO DE ESTE MANUAL 20

DESTINATARIOS 20

CONSERVACIÓN DEL MANUAL 20

DATOS DE IDENTIFICACIÓN 20

OTROS MANUALES DE REFERENCIA 20

PIEZAS DE REPUESTO Y MANTENIMIENTO 20

MODIFICACIONES Y MEJORAS 20

CARACTERÍSTICAS DE FUNCIONAMIENTO 20

CONVENCIONES 20

DESEMBALAJE/ENTREGA..... 21

SEGURIDAD 21

SÍMBOLOS 21

INSTRUCCIONES GENERALES 22

SÍMBOLOS 23

DESCRIPCIÓN DE LA MÁQUINA..... 24

ESTRUCTURA DE LA MÁQUINA 24

MANILLAR CON PANEL DE CONTROL Y MANDOS 25

ACCESORIOS/OPCIONES 25

DATOS TÉCNICOS 26

ESQUEMA ELÉCTRICO 27

USO 28

CONTROL/PREPARACIÓN DE LA BATERÍA EN LA MÁQUINA NUEVA 28

INSTALACIÓN DE LA BATERÍA 28

ANTES DE LA PUESTA EN MARCHA DE LA MÁQUINA 29

PUESTA EN MARCHA Y PARADA DE LA MÁQUINA 30

MÁQUINA EN FUNCIÓN (LAVADO/SECAMIENTO) 30

TRANSPORTE/ESTACIONAMIENTO DE LA MÁQUINA 31

VACIADO DE LOS DEPÓSITOS 31

DESPUÉS DEL USO DE LA MÁQUINA 32

PERIODO DE LARGA INACTIVIDAD DE LA MÁQUINA 32

PRIMER PERIODO DE USO 32

MANTENIMIENTO 32

ESQUEMA DE MANTENIMIENTO PROGRAMADO 32

LIMPIEZA DE LA BOQUILLA 33

CONTROL Y SUSTITUCIÓN DE LOS CAUCHOS DE LA BOQUILLA 33

LIMPIEZA DEL CEPILLO 34

LIMPIEZA DE LOS DEPÓSITOS, DE LA TAPA Y DE LA REJILLA DE ASPIRACIÓN 34

LIMPIEZA DE LAS GUARNICIONES Y DEL FILTRO DEL MOTOR DEL SISTEMA DE ASPIRACIÓN 34

AJUSTE DEL AVANCE DE LA MÁQUINA 35

CARGA DE LA BATERÍA 35

CONTROL/SUSTITUCIÓN/RESTABLECIMIENTO DE LOS FUSIBLES 36

BÚSQUEDA AVERÍAS 36

ELIMINACIÓN..... 36

PARTS LIST 55

INTRODUCCIÓN



NOTA

Los números entre paréntesis se refieren a los componentes ilustrados en el capítulo Descripción de la máquina.

FINALIDAD Y OBJETO DE ESTE MANUAL

Este manual contiene todas las informaciones necesarias para que el operador utilice la máquina de forma adecuada, autónoma y segura. Incluye informaciones inherentes a los datos técnicos, la seguridad, el funcionamiento, el almacenamiento, el mantenimiento, las piezas de repuesto y la eliminación.

Antes de efectuar cualquier operación de mantenimiento, los operadores y los técnicos calificados tienen que leer cuidadosamente las instrucciones incluidas en este manual. En caso de dudas sobre la correcta interpretación de las instrucciones, consultar Clarke para obtener explicaciones.

DESTINATARIOS

Este manual es para los operadores y los técnicos encargados del mantenimiento de la máquina.

Los operadores no deben efectuar procedimientos reservados a los técnicos calificados. Clarke no es responsable para los daños causados a la máquina por falta de observación de esta prohibición.

CONSERVACIÓN DEL MANUAL

El Libro de Instrucciones debe conservarse junto a la máquina, dentro de su contenedor, lejos de líquidos y otras sustancias que podrían dañarlo.

DATOS DE IDENTIFICACIÓN

El número de serie y el modelo de la máquina están marcados en la placa (27).

El año de fabricación de la máquina está en la declaración de conformidad y está también indicado por las dos primeras cifras del número de serie de la máquina misma.

Esta información es necesaria cuando se pidan piezas de repuesto para la máquina. Utilizar el espacio siguiente para escribir los datos de identificación de la máquina.

Modelo MÁQUINA
Número de serie MÁQUINA

OTROS MANUALES DE REFERENCIA

- Manual del cargador de baterías electrónico (debe considerarse parte integrante de este manual)

Los siguientes manuales son también disponibles:

- Manual de asistencia (que se puede consultar cerca de los Centros de asistencia Clarke)
- Catálogo piezas de repuestos (en dotación a la máquina)

PIEZAS DE REPUESTO Y MANTENIMIENTO

Para cualquier necesidad inherente al uso, mantenimiento y reparación, consultar al personal calificado o los Centros de asistencia Clarke.

Usar siempre piezas de repuesto y accesorios originales.

Para la asistencia o para ordenar piezas de repuesto y accesorios acudir a Clarke, especificando siempre el modelo y el número de serie de la máquina.

MODIFICACIONES Y MEJORAS

Clarke está constantemente mejorando sus productos y se reserva el derecho de realizar modificaciones y mejoras a su discreción, sin verse obligada a aplicar dichas ventajas a las máquinas vendidas previamente.

Sólo Clarke puede aprobar y efectuar cualquier modificación y/o instalación de accesorios.

CARACTERÍSTICAS DE FUNCIONAMIENTO

La fregadora/secadora es adecuada para limpiar (lavar y secar) suelos lisos y sólidos, en ambiente privado o industrial, en condiciones de seguridad, por parte de un operador calificado.

La fregadora/secadora no es adecuada para limpiar alfombras o moqueta.

CONVENCIONES

En este manual, las indicaciones de adelante, atrás, delantero, trasero, derecho e izquierdo, se refieren al operador en posición de conducción con las manos sobre el manillar (1).

DESEMBALAJE/ENTREGA

Para desembalar la máquina seguir cuidadosamente las instrucciones colocadas sobre el embalaje.

Al momento de la entrega, controlar atentamente el embalaje y la máquina por si hayan sufrido daños durante el transporte. Si los daños son evidentes, conservar el embalaje, de forma que el transportista que lo ha entregado lo pueda inspeccionar. Contactarlo de inmediato para compilar una indemnización daños y perjuicios.

Controlar que el equipamiento de la máquina sea el siguiente:

- Documentación técnica:
 - Libro de Instrucciones de la fregadora/secadora
 - Manual del cargador de baterías
 - Catálogo piezas de repuestos de la fregadora/secadora
 - Fusibles laminares

SEGURIDAD

La siguiente simbología sirve para señalar situaciones de peligro potencial. Leer siempre cuidadosamente estas informaciones y tomar las precauciones necesarias para proteger personas y cosas.

Para evitar desgracias, la cooperación del operador es fundamental. Ningún programa de prevención de accidentes resulta eficaz sin la total cooperación de la persona directamente responsable del funcionamiento de la máquina. La mayoría de los accidentes que pueden ocurrir son causados por no observar las reglas de seguridad fundamentales. Un operador cuidadoso y cauto es la mejor garantía para evitar posibles accidentes y resulta más eficaz que cualquier programa de prevención.

SÍMBOLOS



¡PELIGRO!

Indica un peligro con riesgo, incluso mortal, para el operador.



¡ATENCIÓN!

Indica el riesgo potencial de infortunios para las personas o de daños a las cosas.



¡ADVERTENCIA!

Indica una advertencia o una nota sobre una función importante o útil. Tener cuidado de las partes del texto marcadas con este símbolo.



NOTA

Indica una nota sobre una función importante o útil.



CONSULTAS

Indica la necesidad de consultar el Libro de Instrucciones antes de efectuar cualquier operación.

INSTRUCCIONES GENERALES

Se describen aquí las advertencias y precauciones específicas por lo que se refiere a los potenciales riesgos de daños a la máquina o a las personas.



¡PELIGRO!

- *Antes de efectuar cualquier operación de limpieza, mantenimiento o sustitución de piezas, desconectar el conector de la batería y llevar el interruptor principal en posición "0".*
- *Sólo los operadores cualificados pueden usar esta máquina.*
- *Tener chispas, llamas y materiales incandescentes lejos de la batería. Durante el uso normal pueden salir gases explosivos.*
- *Quitarse las joyas cuando se trabaja cerca de los componentes eléctricos.*
- *No trabajar bajo la máquina levantada si ésta no está fijada con los soportes adecuados.*
- *No activar la máquina en un ambiente donde haya polvo, líquidos o vapores nocivos, peligrosos, inflamables y/o explosivos: no usar la máquina para recoger materiales peligrosos.*
- *Cargando la batería se produce gas hidrógeno muy explosivo. Tener la tapa abierta durante la carga de la batería y efectuar el procedimiento solo en áreas muy bien ventiladas y lejos de llamas libres.*



¡ATENCIÓN!

- *Antes de efectuar cualquier operación de mantenimiento/repación, leer cuidadosamente todas las instrucciones relacionadas al mantenimiento/repación.*
- *Antes de usar el cargador de baterías, asegurarse de que la frecuencia y la tensión indicadas en la placa del número de serie de la máquina coincidan con la tensión de la red.*
- *No tirar o transportar la máquina por el cable del cargador de baterías; no utilizar el cable como manilla. No cerrar el cable del cargador de baterías en una puerta o tirarlo sobre bordes o ángulos afilados. No atropellar el cable del cargador de baterías con la máquina.*
- *Tener el cable del cargador de baterías lejos de superficies calientes.*
- *No usar la máquina si el cable del cargador de baterías y el enchufe están dañados. Si la máquina no funciona correctamente, está dañada, quedada al exterior o bañada, llevarla a un Centro de asistencia.*
- *Para reducir el riesgo de incendio, electrochoque o lesiones, no dejar la máquina conectada a la red eléctrica cuando está sin custodia. Antes de efectuar las operaciones de mantenimiento, desconectar el cable del cargador de baterías de la red eléctrica.*
- *No fumar cuando se carga la batería.*
- *Proteger siempre la máquina del sol, lluvia y otras intemperie, tanto durante el funcionamiento como durante los períodos de inactividad. Almacenar la máquina en un lugar cerrado y seco: esta máquina sólo se puede usar en seco y no se debe usar o tener al exterior en condiciones de humedad.*
- *Antes de usar la máquina, cerrar todos los portillos y/o las tapas.*
- *No permitir que la máquina se utilice como un juguete. Tener mucho cuidado cuando se utiliza cerca de niños.*
- *No utilizar con finalidades diferentes de aquellas indicadas en este manual. Usar sólo accesorios recomendados por Clarke.*
- *Tomar todas las precauciones necesarias para que el pelo, las joyas y las ropas no sean capturados por las partes móviles de la máquina.*
- *Tener mucho cuidado con las partes móviles de la máquina. Durante el uso el cabezal puede girar de repente de 180°.*
- *No usar la máquina sobre pendientes.*
- *No inclinar la máquina con un ángulo superior al valor indicado en la máquina misma, para no perjudicar la estabilidad.*
- *No usar la máquina en ambientes demasiado polvorientos.*
- *Usar la máquina sólo en áreas con suficiente iluminación.*



¡ATENCIÓN!

- Cuando se usa esta máquina, tener cuidado de salvaguardar la incolumidad de personas y cosas.
- No chocar contra estanterías o andamios de los que puedan caer objetos.
- No apoyar contenedores de líquidos sobre la máquina, usar el portabebidas.
- La temperatura de la máquina en trabajo debe estar entre los +32°F y los 104°F (0°C y +40°C).
- La temperatura de almacenamiento de la máquina debe estar entre los 32°F y los 104°F (0°C y +40°C).
- La humedad debe estar entre el 30% y el 95%.
- Cuando se usan detergentes, seguir las instrucciones y advertencias indicadas en las etiquetas de los frascos.
- Cuando se usan detergentes, usar guantes y protecciones adecuadas.
- No permitir que los cepillos funcionen mientras la máquina está parada en un punto para evitar posibles daños al suelo.
- En caso de incendio usar un extintor de polvo, no de agua.
- No adulterar por ninguna razón la máquina, respete escrupulosamente las instrucciones previstas para el mantenimiento ordinario.
- No dejar que material extraño entre en las aperturas. No usar la máquina si las aperturas están obstruidas. Las aperturas deben mantenerse libre de polvo, hilacha, pelos y cualquier otro cuerpo extraño que pueda reducir el flujo de aire.
- No quitar ni modificar las placas colocadas en la máquina.
- Esta máquina no tiene aprobación para el uso en carreteras o vías públicas.
- Tener cuidado durante el traslado de la máquina en condiciones de temperatura muy baja. El agua en el depósito del agua de recuperación o en los tubos, podría congelarse y dañar la máquina.
- Utilizar sólo los cepillos y los fieltros suministrados con la máquina o aquellos especificados en el Libro de Instrucciones. Utilizar otros cepillos o fieltros puede perjudicar la seguridad.
- Cuando la máquina no funciona correctamente, asegurarse de que esto no sea causado por falta de mantenimiento. En caso contrario, pedir la intervención del personal autorizado o del Centro de asistencia autorizado.
- Si deben sustituirse piezas, solicitar piezas de repuesto ORIGINALES a un Concesionario y/o Revendedor autorizado.
- Para asegurar condiciones de funcionamiento correcto y seguro, el personal autorizado o el Centro de asistencia autorizado debe llevar a cabo el mantenimiento programado según las especificaciones indicadas en el capítulo relacionado de este manual.
- No lavar la máquina con chorros de agua directa o presurizada, o con sustancias corrosivas.
- Nunca se debe abandonar la máquina al final del ciclo vital, por la presencia de materiales tóxicos y dañinos (batería, etc.) sujetos a normativas que exigen que se realice la eliminación en centros especiales (véase el capítulo Eliminación).

SÍMBOLOS



¡ATENCIÓN!

Antes de efectuar cualquier operación en la máquina, leer cuidadosamente las instrucciones de la máquina misma.



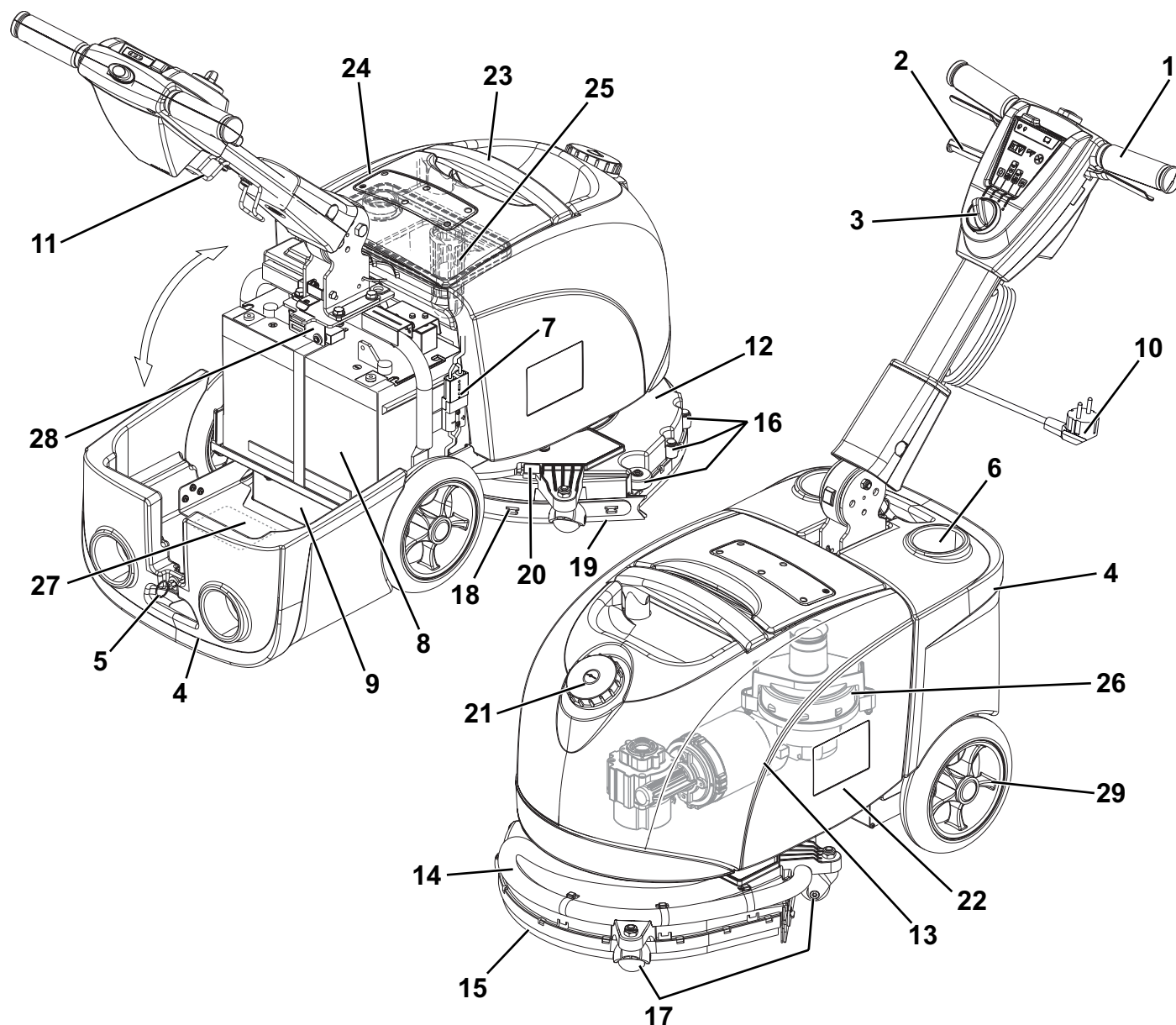
¡ATENCIÓN!

No lavar la máquina con chorros de agua directa o presurizada.

DESCRIPCIÓN DE LA MÁQUINA

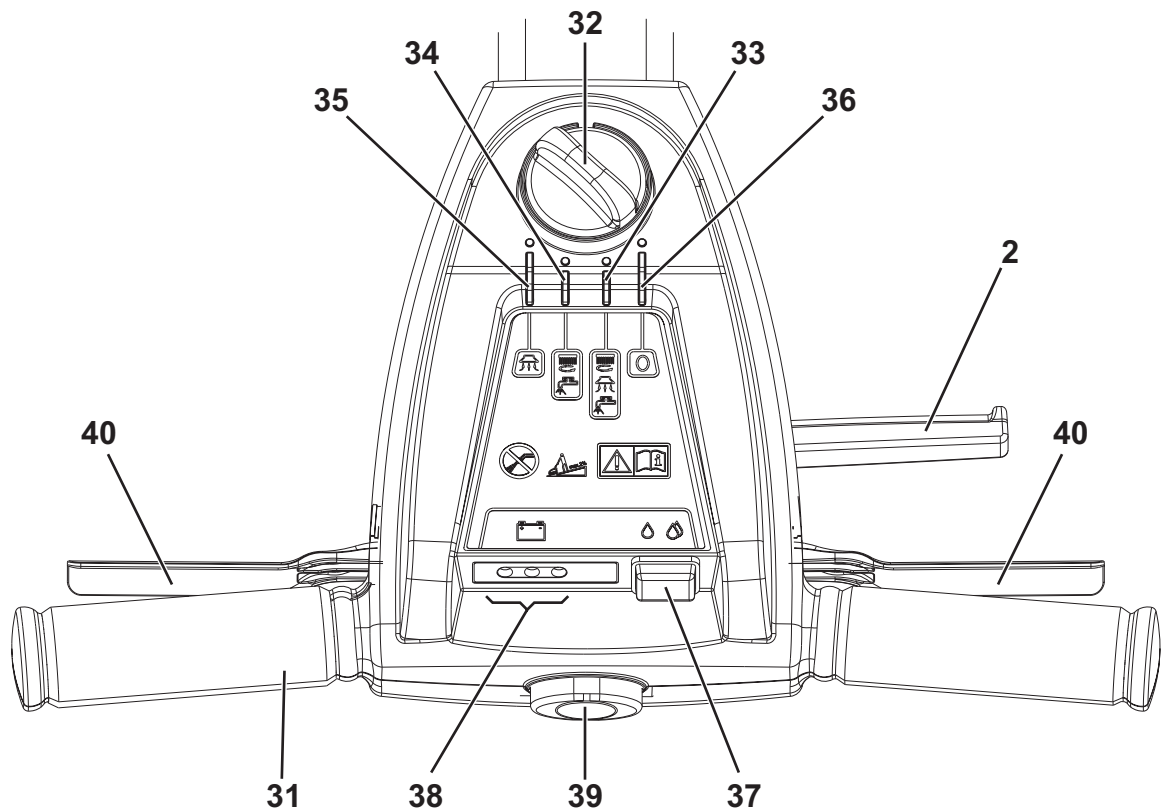
ESTRUCTURA DE LA MÁQUINA

- | | |
|--|---|
| 1. Manillar con panel de control y mandos (véase el párrafo siguiente) | 17. Ruedas de apoyo del cabezal |
| 2. Palanca de ajuste de la inclinación del manillar | 18. Boquilla |
| 3. Perilla de encendido y selección del programa | 19. Conjunto cauchos de la boquilla |
| 4. Tapa del compartimiento de las baterías y accesorios | 20. Pinzas de fijación de las boquillas |
| 5. Cierre de la tapa | 21. Boca de llenado del depósito de la solución detergente |
| 6. Portaobjetos | 22. Conjunto depósitos (solución detergente y agua de recuperación) |
| 7. Conector de conexión batería | 23. Manilla de levantamiento del conjunto depósitos |
| 8. Batería GEL/AGM | 24. Tapa transparente con rejilla de aspiración |
| 9. Cargador de baterías | 25. Rejilla de aspiración con cierre automático de flotador |
| 10. Cable de alimentación del cargador de baterías | 26. Motor del sistema de aspiración |
| 11. Soporte del cable del cargador de baterías | 27. Placa número de serie/datos técnicos/marcación de conformidad |
| 12. Cabezal portacepillo/portafiltro | 28. Fusibles |
| 13. Motorreductor del cabezal portacepillo | 29. Ruedas traseras en eje fijo |
| 14. Tubo de aspiración de la boquilla | |
| 15. Parasalpicaduras | |
| 16. Ruedas paragolpes del cabezal | |



MANILLAR CON PANEL DE CONTROL Y MANDOS

- | | |
|---|---|
| <p>31. Manillar</p> <p>32. Perilla de selección del programa</p> <p>33. Programa: accionamiento cepillo - accionamiento sistema de aspiración - apertura flujo solución detergente</p> <p>34. Programa: accionamiento cepillo - apertura flujo solución detergente</p> <p>35. Programa: accionamiento del sistema de aspiración</p> <p>36. Apagamiento máquina ("0")</p> <p>37. Interruptor de selección cantidad flujo de la solución detergente</p> <ul style="list-style-type: none"> • Una gota - flujo mínimo de solución detergente • Dos gotas - flujo máximo de solución detergente | <p>38. Indicadores LED de carga de la batería</p> <ul style="list-style-type: none"> • LED verde - batería cargada • LED amarillo - batería casi descargada • LED rojo - batería descargada <p>39. Pulsador de asenso accionamiento máquina</p> <p>40. Palanca de accionamiento/parada de la máquina</p> |
|---|---|



P100448

ACCESORIOS/OPCIONES

Además de los componentes instalados en la versión estándar, la máquina puede equiparse con los siguientes accesorios/ opciones, según el uso específico:

- Cepillos de diferentes materiales
- Filtros de diferentes materiales

Para informaciones suplementarias sobre estos accesorios opcionales, acudir al Revendedor autorizado.

DATOS TÉCNICOS

Generales	Vantage 14
Largura mínima/máxima de la máquina al manillar	28,7 / 50 in (730 / 1.270 mm)
Anchura de la máquina	18,5 in (470 mm)
Altura mínima/máxima de la máquina con manillar ajustable	21,6 / 39,3 in (550 / 1.000 mm)
Peso sin batería y con los depósitos vacíos	97 lb (44 kg)
Peso máximo con batería y depósitos llenos (GVW)	178,5 lb (81 kg)
Anchura de barrido	14,5 in (370 mm)
Dimensiones compartimiento batería	13,8x6,9x9,5 in (350x175x240 mm)
Diámetro ruedas en eje fijo	14,5 in (370 mm)
Diámetro cepillo/filtro	14,5 in (370 mm)
Presión ruedas traseras sobre el suelo	0,6 N/mm ² (87 psi)
Presión cepillo/filtro sobre el suelo	46,3 lb (21 Kg)
Presión cepillo/filtro en el suelo con depósito lleno	66 lb (30 Kg)

Prestaciones	Vantage 14
Aspiración	0,007 MPa (710 mmH ₂ O)
Flujo de la solución detergente mín/máx	Una gota: 0,066 gpm (0,25 litros/min) Dos gotas: 0,13 gpm (0,5 litros/min)
Velocidad del motor del cepillo/portafiltro	140 rpm
Presión sonora a la oreja del operador (ISO 11201, ISO 4871, EN 60335-2-72) (LpA)	64 dB(A) ± 3dB(A)
Potencia sonora de la máquina (ISO 3744, ISO 4871, EN 60335-2-72) (LwA)	84 dB(A)
Nivel de vibraciones transmitidas a los brazos del operador (ISO 5349-1, EN 60335-2-72)	98,4 in/s ² (< 2,5 m/s ²)
Potencia del motor del sistema de aspiración	0,27 hp (200 W)
Potencia del motor del cepillo/portafiltro	0,32 hp (240 W)
Inclinación máxima de trabajo	1,14° (2%)
Tensión batería	12 V
Batería estándar	Batería 12V 87AhC5 AGM
Autonomía de la batería estándar	2 hora
Capacidad del depósito de la solución detergente	2,9 USgal (11 litros)
Capacidad del depósito del agua de recuperación	3,2 USgal (12 litros)

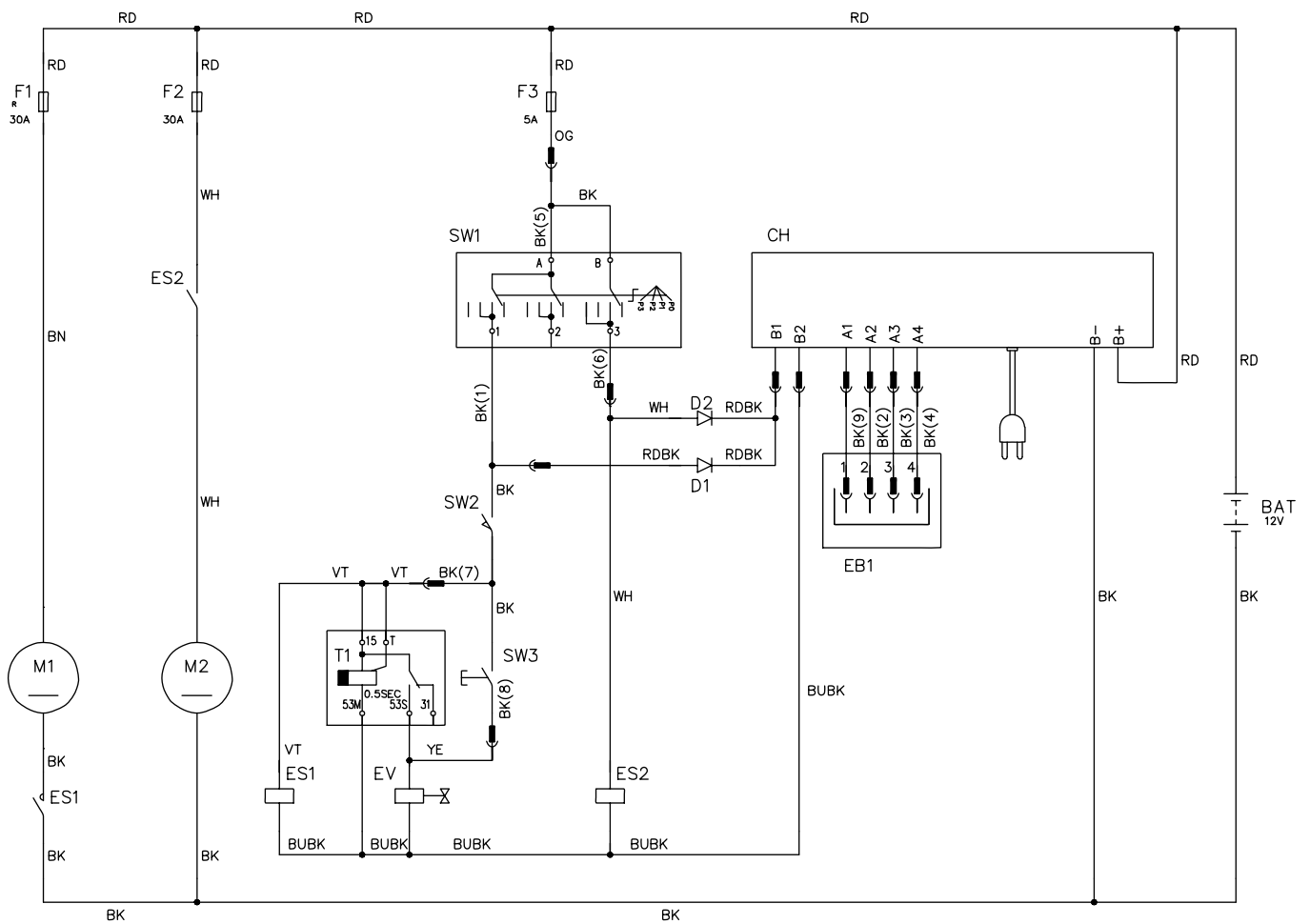
ESQUEMA ELÉCTRICO

Leyenda

BAT	Batería 12 V
CH	Cargador de baterías
D1	Diodo
D2	Diodo
EB1	Tarjeta electrónica del cargador de baterías
ES1	Telerruptor motor cepillo
ES2	Relé del motor del sistema de aspiración
EV	Electroválvula de la solución detergente
F1	Fusible reseteable del motor del cepillo (30 A)
F2	Fusible del motor del sistema de aspiración (30 A)
F3	Fusible selector funciones (5 A)
M1	Motor del cepillo
M2	Motor del sistema de aspiración
SW1	Selector funciones
SW2	Interruptor de asenso motor cepillo-electroválvula
SW3	Interruptor caudal solución detergente
T1	

Códigos color

BK	Negro
BU	Azul
BN	Marrón
GN	Verde
GY	Gris
OG	Anaranjado
PK	Rosado
RD	Rojo
VT	Morado
WH	Blanco
YE	Amarillo



P100406

USO

**¡ATENCIÓN!**

En unas partes de la máquina hay unas placas adhesivas que indican:

- PELIGRO
- ATENCIÓN
- ADVERTENCIA
- CONSULTAS

Leyendo este manual, el operador tiene que aprender el sentido de los símbolos indicados en las placas.

Por ninguna razón estas placas deben cubrirse y si están dañadas tienen que sustituirse de inmediato.

CONTROL/PREPARACIÓN DE LA BATERÍA EN LA MÁQUINA NUEVA

**¡ATENCIÓN!**

Si no se instala y conecta correctamente la batería, los componentes eléctricos de la máquina podrían dañarse.

Sólo el personal calificado puede efectuar la instalación de la batería. Antes de la instalación de la batería, controlar que no esté dañada.

Desconectar el conector de la batería o el enchufe del cargador de baterías.

Desplazar la batería con mucho cuidado.

Instalar las tapas de protección de los terminales de la batería, en dotación a la máquina.

La máquina requiere 1 batería de 12 V.

La máquina se entregada con las siguientes configuraciones:

Baterías GEL/AGM ya instaladas en la máquina

1. Abrir la tapa (4) y controlar que la batería esté conectada a la máquina con el conector (7).
2. Poner en marcha la máquina (véase el párrafo Puesta en marcha y parada de la máquina). Si el LED verde (38) se enciende, la batería está cargada y puede utilizarse.
3. Si se enciende el LED amarillo o rojo es necesario cargar la batería (véase el procedimiento en el capítulo Mantenimiento).

Sin batería

1. Comprar una batería adecuada (véase el párrafo Datos técnicos).
Para escoger e instalar las baterías, acudir a un Revendedor calificado.
2. Instalar la batería (véase el párrafo siguiente).
3. Cargar la batería.

INSTALACIÓN DE LA BATERÍA

1. Abrir la tapa (4) y controlar que el conector de la batería (7) esté conectado.
2. Instalar la batería en la máquina y bloquearla con el estribo apropiado.

**¡PELIGRO!**

En esta masilla impermeable se deben instalar baterías de plomo selladas (tecnología GEL o AGM).

No usar, por ninguna razón, baterías con electrolito líquido o no selladas (WET).

**¡ATENCIÓN!**

La batería (GEL/AGM) instalada podría necesitar de un algoritmo de carga específico: acudir siempre a un centro Clarke calificado para programar el algoritmo de carga más apropiado para la batería comprada.

Carga de la batería

3. Cargar la batería (véase el capítulo Mantenimiento).

ANTES DE LA PUESTA EN MARCHA DE LA MÁQUINA

Instalación/remoción del cepillo/portafiltro



NOTA

Según el tipo de suelo, es posible instalar el cepillo (A, Fig. 1) o el portafiltro (B y C).

1. Levantar el cabezal portacepillo/portafiltro (12) presionando sobre el manillar (1).
2. Colocar el cepillo (A, Fig. 1) o el portafiltro (B y C) bajo del cabezal (12).
3. Bajar el cabezal (12) utilizando el manillar (1).
4. Girar la perilla (32) en correspondencia de uno de los programas.
5. Pulsar por unos segundos el pulsador de asenso (39) junto a las palancas de accionamiento del cepillo (40) para enganchar el cepillo/portafiltro.

Para quitar el cepillo/portafiltro efectuar el procedimiento siguiente.

6. Apagar la máquina girando la perilla (32) en "0".
7. Levantar ligeramente el cabezal de la máquina presionando sobre el manillar (1), luego desenganchar el cepillo/portafiltro del cubo con las manos, haciéndolo girar de golpe en el sentido de rotación (D, Fig. 1).

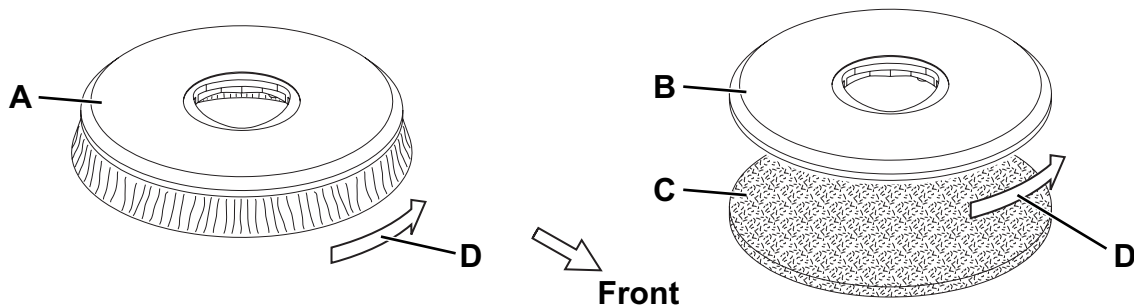


Figura 1

P100407

Tipos de cepillos disponibles y guía para su aplicación (sólo sugerencias y ver las partes de repuesto recomendadas para los códigos)

	Modelos	MIDLITE GRIT 180	MIDGRIT 240	PROLITE	UNION MIX
Limpieza general	Hormigón				
	Suelo terraza				
	Baldosas de cerámica/de cantera				
	Mármol				
	Baldosas de vinilo				
	Baldosas de caucho				
Lustrado	Baldosas de caucho				
	Mármol				
	Baldosas de vinilo				

Llenado del depósito de la solución detergente

8. Abrir la boca de llenado (21), rellenar el depósito (22) con una solución detergente adecuada. No llenar completamente el depósito de la solución detergente, dejar unos centímetros del borde. Seguir las instrucciones indicadas en la etiqueta para la dilución del producto químico usado para componer la solución detergente. La temperatura de la solución detergente no debe superar los 104° F (40°C).



¡ADVERTENCIA!

Usar exclusivamente detergentes líquidos poco espumosos y no inflamables, que sean adecuados para este tipo de máquina.

Ajustes

9. Ajustar altura e inclinación del manillar (1) con la palanca (2) según la propia comodidad.

PUESTA EN MARCHA Y PARADA DE LA MÁQUINA

Puesta en marcha de la máquina

- Preparar la máquina como indicado en el párrafo antecedente.
- Colocar el interruptor de ajuste de flujo de la solución detergente (37) en una de las siguientes posiciones posibles, según el tipo de lavado de efectuar:
 - Una gota: llevar el interruptor en esta posición para lavar suelos poco sucios; en esta condición la máquina puede trabajar con una autonomía de lavado de 50 minutos (0,25 litros/min en término medio).
 - Dos gotas: llevar el interruptor en esta posición para lavar suelos sucios o muy sucios; en esta condición la máquina puede trabajar con una autonomía de lavado de 25 minutos (0,5 litros/min en término medio).
- Seleccionar el programa deseado con la perilla (32).
 - (33) accionamiento cepillo - accionamiento sistema de aspiración - apertura flujo solución detergente
 - (34) accionamiento cepillo - apertura flujo solución detergente
 - (35) accionamiento del sistema de aspiración
- Teniendo los manos sobre el manillar (1), poner en marcha la máquina pulsando el pulsador de asenso (39) junto a las palancas de accionamiento del cepillo (40).



NOTA

Si el LED verde (38) se enciende, la batería está cargada y puede utilizarse. Si se enciende el LED amarillo o rojo es necesario cargar la batería (véase el procedimiento en el capítulo Mantenimiento).

Parada de la máquina

- Soltar las palancas de accionamiento (40) y el pulsador de asenso (39).
- Girar la perilla (32) en la posición "0" para apagar la máquina.

MÁQUINA EN FUNCIÓN (LAVADO/SECAMIENTO)

- Poner en marcha la máquina como indicado en el párrafo antecedente.
- Teniendo ambas las manos sobre el manillar (1), maniobrar la máquina y empezar el trabajo de lavado/secamiento del suelo.
- Si necesario, cambiar la cantidad de la solución detergente mediante el interruptor (37).
- Cuando necesario, para usar la boquilla en la dirección opuesta, presionar sobre el manillar (1) y levantar ligeramente el cabezal mientras el cepillo gira. Cuando el cabezal se gira de 180° empezar a lavar/secar tirando la máquina. Para volver a la normal dirección, maniobrar la máquina empujándola hacia adelante hasta que el cabezal vuelva a la posición original.



¡ATENCIÓN!

Tener mucho cuidado cuando se levanta el cabezal con el cepillo en rotación: el cabezal girará de 180° de repente: tener cuidado con las partes móviles, no golpear y/o dañar objetos, muros o personas.



¡ADVERTENCIA!

Para evitar que el suelo se dañe, no utilizar el cepillo en seco y cuando la máquina se queda parada en un punto, parar la rotación del cepillo/filtro mediante las palancas (40).



¡ADVERTENCIA!

Antes de levantar el cepillo/filtro, parar su rotación soltando las palancas (40).



NOTA

Para un correcto lavado/secamiento de los suelos en los bordes de las paredes, Clarke sugiere acercarse con el lado derecho de la máquina como indicado en la figura 2.

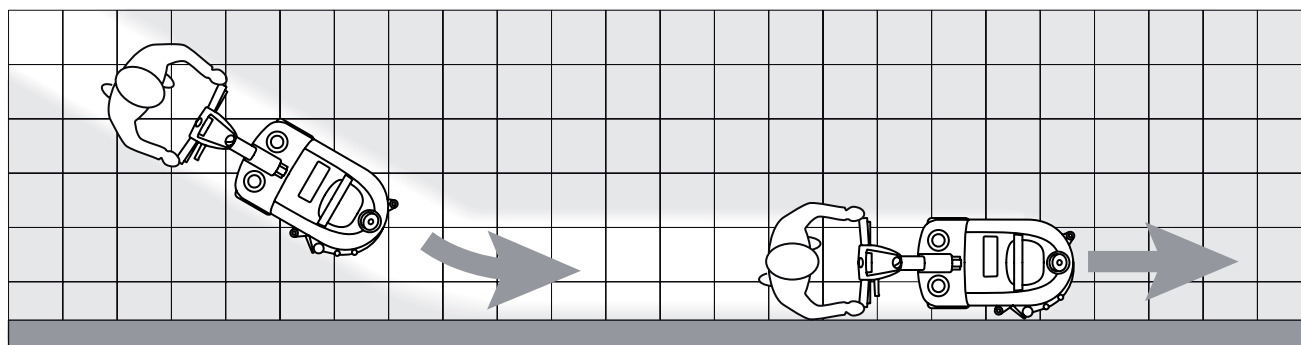


Figura 2

P100449

Ajuste de la velocidad de marcha de la máquina

- La velocidad de marcha de la máquina cambia según el tipo de suelo y según la utilización del cepillo o del fieltro. Si necesario, es posible ajustar la velocidad de marcha mediante el procedimiento indicado en el capítulo Mantenimiento.

Descarga de las baterías durante el trabajo

- Hasta que el LED verde (38) se queda encendido, las baterías permiten el funcionamiento normal de la máquina. Cuando el LED verde se apaga y se encienden en secuencia los LEDs amarillo y rojo, es necesario cargar la batería, porque la autonomía residual de funcionamiento de la máquina es mínima.



¡ADVERTENCIA!

Si se insiste en usar la máquina con la batería descargada, la batería se puede dañar y su vida útil se acorta.

TRANSPORTE/ESTACIONAMIENTO DE LA MÁQUINA

Para el transporte/estacionamiento de la máquina, efectuar los procedimientos siguientes.

- Apagar la máquina girando la perilla (32) en "0".
- Grabar el manillar (1) y levantar ligeramente el cabezal portacepillos de la máquina. Manteniendo la máquina en esta condición, empujarla en un lugar adecuado para el transporte/estacionamiento.
- Después del trabajo se aconseja quitar el cepillo/fieltro para que no arrastren en el suelo bañándolo (véase el procedimiento en Instalación/remoción del cepillo/portafieltro).

VACIADO DE LOS DEPÓSITOS

Un sistema de cierre automático de flotador (25) bloquea el sistema de aspiración cuando el depósito del agua de recuperación (23) está lleno.

El bloqueo del sistema de aspiración, causado por el llenado del depósito del agua de recuperación, está indicado por un aumento de los ruidos del motor del sistema de aspiración, además el suelo no se seca.



¡ADVERTENCIA!

Si el sistema de aspiración se apaga de forma accidental (por ejemplo por la intervención prematura del flotador durante un desplazamiento imprevisto de la máquina), para reactivarlo apagar la máquina con la perilla (32), asegurarse de que el flotador al interior de la rejilla (25) haya bajado hasta el nivel del agua; por último reactivar el sistema de aspiración pulsando el interruptor (32).

Cuando el depósito del agua de recuperación (23) está lleno, vaciarlo según el procedimiento siguiente.

Vaciado del depósito del agua de recuperación y solución detergente

- Apagar la máquina girando la perilla (32) en "0".
- Llevar la máquina en el área de eliminación designada.
- Quitar la tapa transparente (24).
- Empuñar la manilla (23) y levantar el conjunto depósitos (22).
- Vaciar el depósito del agua de recuperación. Al final del trabajo, enjuagar el depósito con agua limpia.
- Abrir la boca de llenado (21) y vaciar el depósito de la solución detergente. Al final del trabajo, enjuagar el depósito con agua limpia.

DESPUÉS DEL USO DE LA MÁQUINA

Cuando el trabajo está acabado, antes de alejarse de la máquina:

1. Vaciar los depósitos (23 y 22) como indicado en el párrafo anterior.
2. Efectuar las operaciones de mantenimiento necesarias después del uso de la máquina (véase el capítulo Mantenimiento).
3. Tener la máquina en un lugar seco y limpio, con el cepillo/portafiltro y los cauchos de la boquilla levantados o desmontados.

PERIODO DE LARGA INACTIVIDAD DE LA MÁQUINA

Si se piensa que la máquina no va a ser usada durante 30 días o más, seguir las indicaciones siguientes:

1. Llevar a cabo los procedimientos indicados en el párrafo anterior.
2. Abrir la tapa (4) y desconectar el conector de la batería (7).
3. Almacenar la máquina en un lugar limpio y seco.
4. Para proteger el cepillo y los cauchos de la boquilla girar el manillar (1) adelante y aparcar la máquina como indicado en la figura 3.

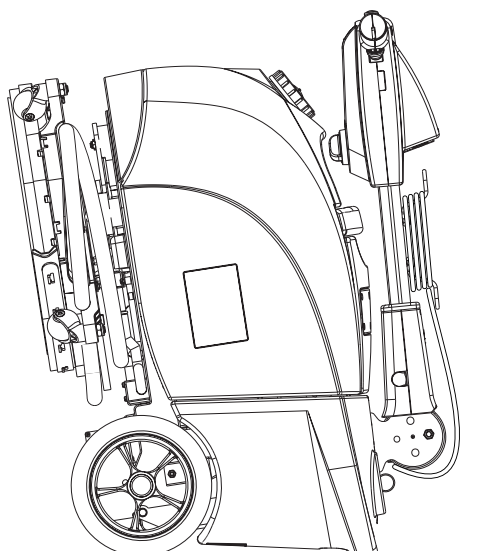


Figura 3

P100451

PRIMER PERIODO DE USO

Después de las primeras 8 horas, controlar que los elementos de fijación y conexión de la máquina estén correctamente instalados. Controlar que las partes visibles no estén dañadas y que no haya pérdidas de líquidos.

MANTENIMIENTO

Un mantenimiento cuidadoso y continuo garantiza la vida útil y la seguridad de funcionamiento de la máquina. El esquema siguiente resume el mantenimiento programado. Los períodos indicados pueden variar según las condiciones de trabajos, que el encargado del mantenimiento debe establecer.



¡ATENCIÓN!

Las operaciones de mantenimiento deben efectuarse con la máquina apagada, la batería desconectada y el cable del cargador de baterías desconectado.

Además, leer cuidadosamente todas las instrucciones del capítulo Seguridad.

Todas las operaciones de mantenimiento programado o extraordinario deben ser efectuadas por el personal calificado o por un Centro de asistencia autorizado. En este manual se detallan sólo los procedimientos de mantenimiento más sencillos y frecuentes.



NOTA

Para las otras operaciones de mantenimiento indicadas en el esquema de mantenimiento programado, véase el Manual de asistencia disponible en los Centros de asistencia.

ESQUEMA DE MANTENIMIENTO PROGRAMADO

Operación	Diaria, después del uso de la máquina	Semanaria	Semestral	Anual
Limpieza de la boquilla				
Limpieza del cepillo				
Limpieza de los depósitos y de la rejilla de aspiración				
Control y/o sustitución de los cauchos de la boquilla				
Carga de la batería				
Control de la torsión de tuercas y tornillos			(1)	
Control y/o sustitución de los tampones de goma para la rotación del cabezal portacepillos				(2)
Control y/o sustitución del cable de tope de carrera del cabezal portacepillo				(2)
Control y/o sustitución de la brida de goma del cabezal portacepillo				(2)

(1) Y después de las primeras 8 horas de trabajo.

(2) Por el procedimiento relacionado, véase el Manual de asistencia.

LIMPIEZA DE LA BOQUILLA



NOTA

Para un buen secamiento, la boquilla debe estar limpia y con los cauchos en buenas condiciones.



¡ATENCIÓN!

Durante estas operaciones se recomienda utilizar guantes de trabajo, porque residuos cortantes podrían estar en la boquilla.

1. Llevar la máquina sobre un suelo llano.
2. Girar la perilla (32) en "0" y desconectar la batería (7).
3. Girar el cabezal portacepillo/portafiltro (12) en sentido antihorario hasta el tope de carrera.
4. Desconectar el tubo de aspiración (A, Fig. 4) de la boquilla desenroscando la abrazadera.
5. Desenganchar las pinzas (B) y quitar la boquilla (C) sacándola del cabezal portacepillos hacia abajo.
6. Lavar y limpiar la boquilla. Limpiar especialmente los huecos (D) y el orificio de aspiración (E).
7. Controlar que los cauchos delantero (F) y trasero (G) estén en buenas condiciones, que no sean cortados o desgarrados; de lo contrario, sustituirlos (véase el procedimiento en el párrafo siguiente).
8. Montar los componentes en el orden contrario al del desmontaje.

CONTROL Y SUSTITUCIÓN DE LOS CAUCHOS DE LA BOQUILLA

1. Limpiar la boquilla como indicado en el párrafo antecedente.
2. Controlar que los cauchos delantero (F, Fig. 4) y trasero (G) estén en buenas condiciones, que no estén cortados o desgarrados; de lo contrario, sustituirlos como indicado a continuación. Controlar que el borde delantero (H) del caucho trasero no esté desgastado; de lo contrario volcar el caucho mismo, llevando en su posición el otro borde (I) no desgastado. Si el otro borde está desgastado, sustituir el caucho, mediante el procedimiento siguiente:
 - Desenganchar la cinta de fijación (K o M) de los retenes (J), luego sustituir (o volcar) el caucho (G o F).
 - Instalar el caucho enganchándolo a los retenes junto a la cinta de fijación.
3. Instalar la boquilla (C) colocando las pinzas (B) en los alojamientos del cabezal portacepillo.
4. Conectar el tubo de aspiración (A) a la boquilla y apretar la abrazadera.

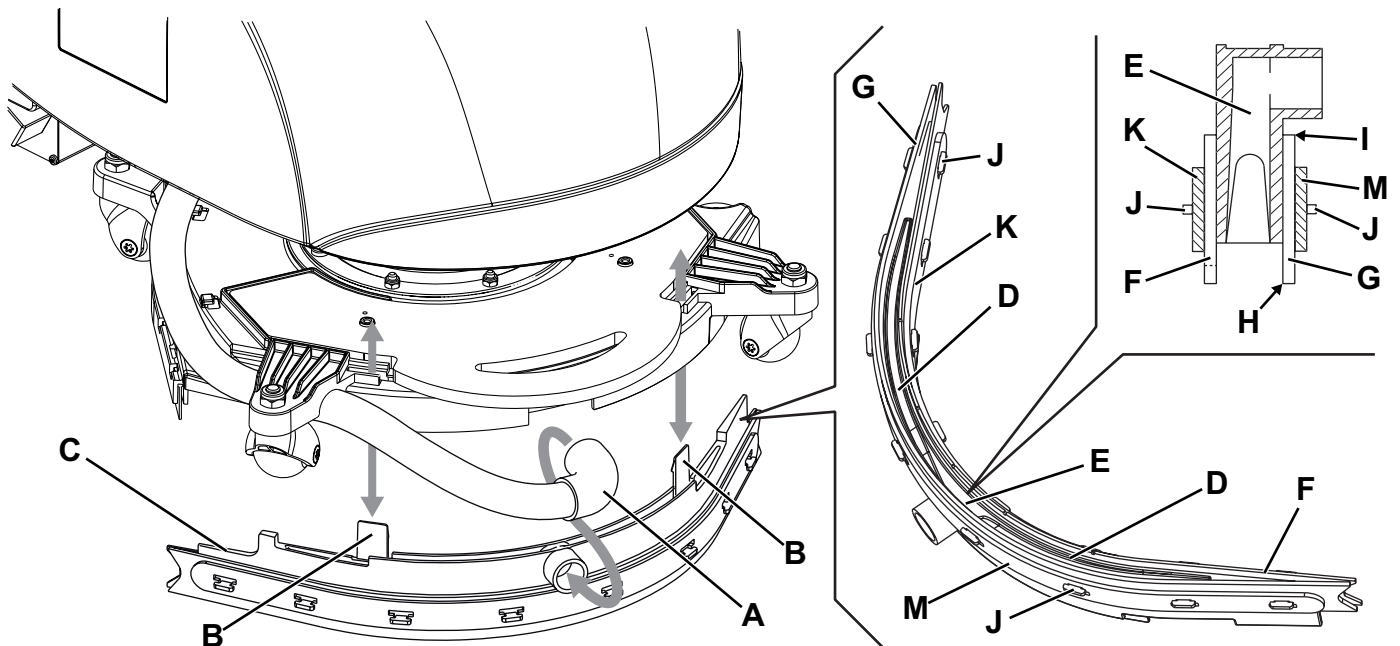


Figura 4

P100452

LIMPIEZA DEL CEPILLO



NOTA

Durante estas operaciones se aconseja utilizar guantes de trabajo, porque residuos cortantes podrían estar en el cepillo.

1. Quitar el cepillo de la máquina como indicado en el párrafo Instalación/remoción del cepillo/portafiltro.
2. Limpiar el cepillo con agua y detergente.
3. Controlar que las cerdas del cepillo no estén dañadas o excesivamente desgastadas; de lo contrario, sustituir el cepillo.

LIMPIEZA DE LOS DEPÓSITOS, DE LA TAPA Y DE LA REJILLA DE ASPIRACIÓN

1. Llevar la máquina en el área de eliminación designada.
2. Girar la perilla (32) en "0" y desconectar la batería (7).
3. Levantar la tapa (A, Fig. 5), luego lavar con agua limpia la tapa y la rejilla de aspiración (B). Descargar el agua de los depósitos (C) y limpiarlos.
4. Si necesario, desenganchar la rejilla (B) girándola y quitar el flotador (D), luego limpiar con cuidado y reinstalar.
5. Controlar la integridad de las guarniciones (E) y (F).



NOTA

Las guarniciones (E) y (F) causan la formación de vacío en el depósito, necesario para la aspiración del agua de recuperación.

Si necesario, sustituir las guarniciones quitándolas de sus alojamientos (G) en la tapa (A). Cuando se instala la nueva guarnición (E), posicionar la unión (H) en el área indicada en la figura.

6. Controlar que toda la superficie perimetral de apoyo (I) de las guarniciones (E) y (F) no esté dañada y que sea adecuada para la estanqueidad de las guarniciones mismas.

Si necesario quitar los tornillos (J), abrir la tapa (K) y controlar la integridad de la guarnición (L), luego limpiar con cuidado y reinstalar.

7. Cerrar la tapa del depósito del agua de recuperación (A).

LIMPIEZA DE LAS GUARNICIONES Y DEL FILTRO DEL MOTOR DEL SISTEMA DE ASPIRACIÓN



NOTA

Las guarniciones (M) y (O) causan la formación de vacío en el sistema, necesario para la aspiración del agua de recuperación.

1. Llevar la máquina sobre un suelo llano.
2. Girar la perilla (32) en "0" y desconectar la batería (7).
3. Levantar el conjunto depósitos (C) y controlar la integridad de la guarnición (M) del motor del sistema de aspiración. Si necesario, sustituir la guarnición quitándola de su alojamiento.
4. Controlar que el prefiltro (N) esté limpio. Si necesario, limpiarlo con agua y aire comprimido, luego volver a instalarlo.
5. Controlar la integridad de la guarnición (O). Si necesario, sustituir la guarnición quitándola de su alojamiento.
6. Limpiar con cuidado y reinstalar.

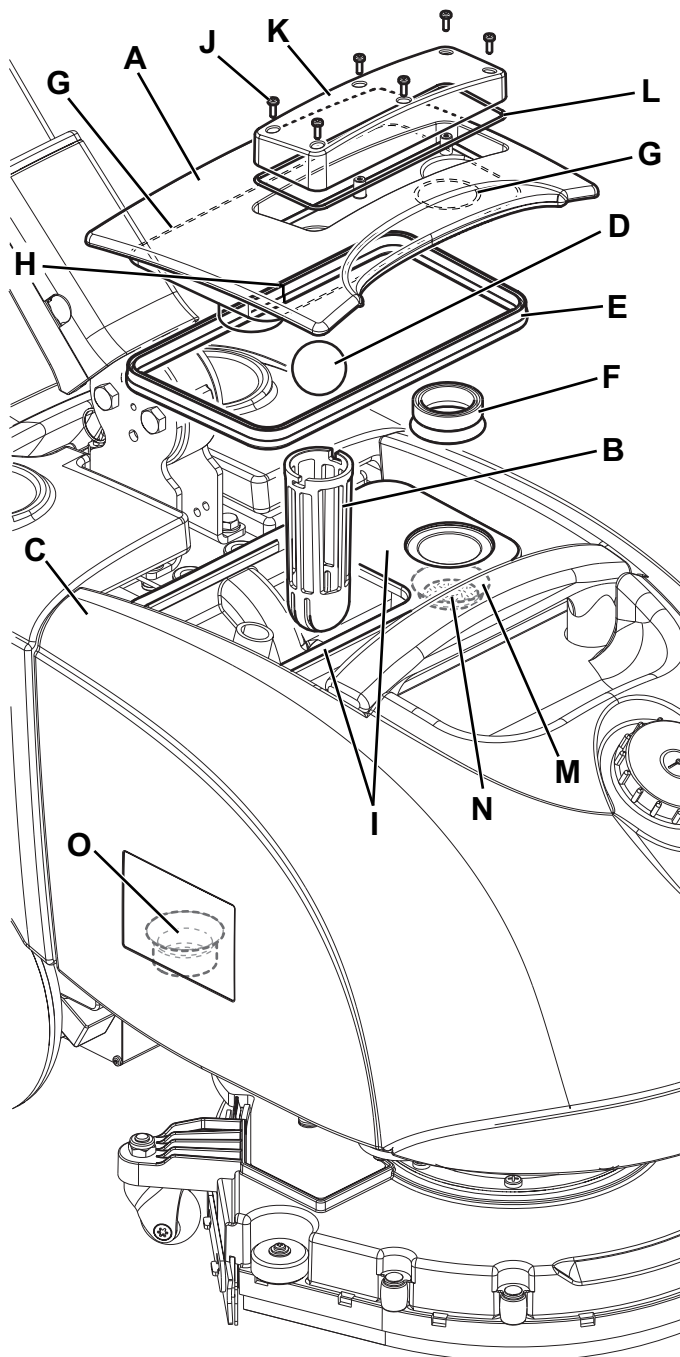


Figura 5

P100453

AJUSTE DEL AVANCE DE LA MÁQUINA



NOTA

Según el tipo de suelo, o según la utilización del cepillo o del fieltro, la velocidad de marcha o el avance de la máquina pueden variar.

Si es necesario, efectuar el ajuste relacionado mediante el procedimiento siguiente.

1. Quitar el depósito del agua de recuperación y del detergente como indicado en el párrafo limpieza de los depósitos, de la tapa y de la rejilla de aspiración.
2. Ajustar la velocidad de avance de la máquina mediante la empuñadura (A, Fig. 6) efectuando el procedimiento siguiente:
 - Girar en sentido antihorario para aumentar la velocidad de avance de la máquina.
 - Girar en sentido horario para disminuir la velocidad de avance de la máquina.
3. En caso de que la máquina desvíe de la dirección rectilínea de avance, se puede usar la empuñadura (B) en sentido horario o antihorario para corregir la desviación y obtener un comportamiento neutral.
4. Una vez efectuado el ajuste, instalar los depósitos como indicado en el párrafo limpieza de los depósitos, de la tapa y de la rejilla de aspiración.
5. Antes de empezar el trabajo, controlar la máquina y, si es necesario efectuar otros ajustes, repetir los pasos de 1 a 4.

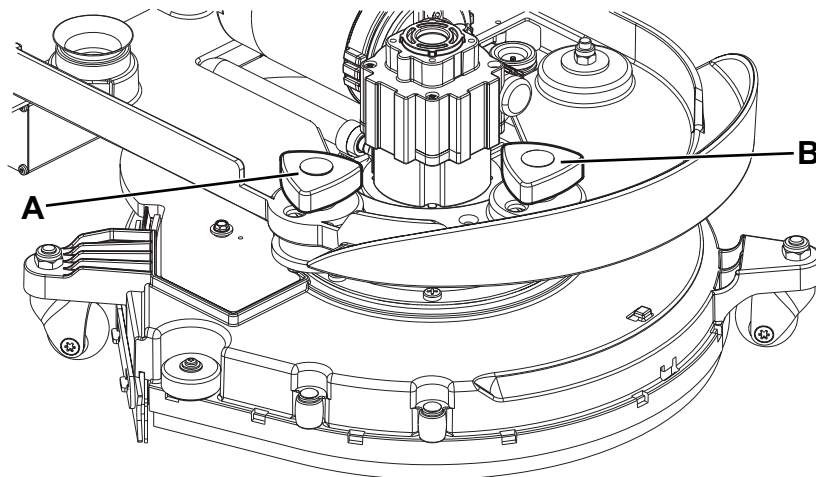


Figura 6

P100413

CARGA DE LA BATERÍA



NOTA

Cargar las baterías cuando se enciende el LED amarillo o rojo o al final de cada trabajo. Si se mantienen la batería cargada, su durabilidad aumenta.



¡ADVERTENCIA!

No dejar la batería descargada durante mucho tiempo, porque su durabilidad podría reducirse.

Controlar la carga de la batería por lo menos una vez por semana.

1. Llevar la máquina sobre un suelo llano.
2. Girar la perilla (32) en "0".
3. Conectar el cable (10) del cargador de baterías a la red eléctrica [la tensión y la frecuencia de la red deben ser compatibles con los valores del cargador de baterías, indicados en el manual relacionado].



NOTA

Cuando el cargador de baterías está conectado a la red eléctrica, todas las funciones de la máquina se paran automáticamente.

Si el LED rojo y amarillo (38) están encendidos indican que el cargador está cargando las baterías.

4. Cuando el LED verde (38) se enciende, el ciclo de carga de la batería está acabado.
5. Una vez efectuada la carga, desconectar el cable (10) del cargador de baterías de la red eléctrica y engancharlo a su alojamiento.
6. La máquina está lista para el uso.



NOTA

Para informaciones suplementarias sobre el funcionamiento del cargador de baterías (26) véase el manual relacionado.

CONTROL/SUSTITUCIÓN/RESTABLECIMIENTO DE LOS FUSIBLES

1. Llevar la máquina sobre un suelo llano.
2. Girar la perilla (32) en "0" y desconectar la batería.
3. Abrir la tapa (4) y controlar si los siguientes fusibles están desactivados o dañados:
 - (A, Fig 7): fusible reseteable F1 (30 A), motor cepillo.
 - (B): fusible de lama F3 (5 A), accesorios auxiliares.
 - (C): fusible de lama F2 (30 A), motor del sistema de aspiración.

Resetear o sustituir el fusible, tras haber esperado el enfriamiento del componente que ha causado la interrupción.

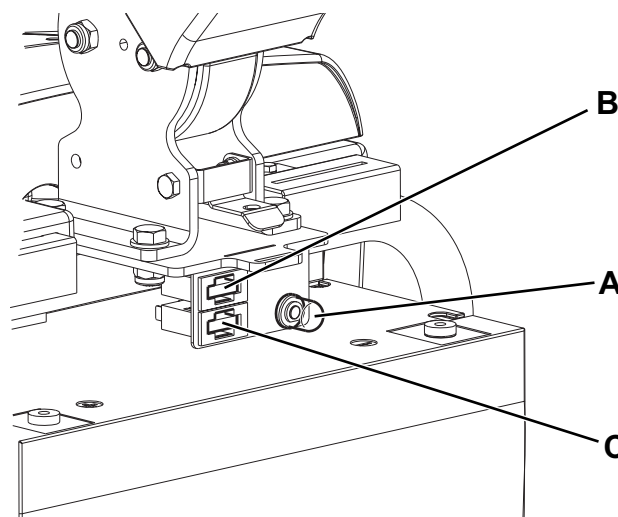


Figura 7

P100414



NOTA

Si reemplazo o el restablece do fusible no restablecer el funcionamiento, consulte el Manual de asistencia o póngase en contacto con Clarke

4. Cerrar la tapa (4).

BÚSQUEDA AVERÍAS

Problema	Probable causa	Remedio
Los motores no se ponen en marcha; ningún LED encendido.	El conector de la batería está desconectado.	Conectar.
	La batería está completamente descargada.	Cargar.
	El fusible F3 está quemado.	Sustituir.
El motor del cepillo no funciona.	El fusible F1 está activado.	Resetear el fusible.
El motor del sistema de aspiración no se pone en marcha.	El fusible F2 está quemado.	Sustituir.
La aspiración de agua sucia es insuficiente.	El depósito del agua de recuperación está lleno.	Vaciar.
	La rejilla de aspiración está obstruida o el flotador está cerrado.	Limpiar la rejilla y controlar el flotador.
	El tubo de aspiración está desconectado de la boquilla o está dañado.	Conectar.
	La boquilla está sucia o los cauchos de la boquilla están desgastados o dañados.	Limpiar la boquilla o sustituir los cauchos.
	La tapa del depósito del agua de recuperación no está correctamente cerrada, o las guarniciones están desgastadas.	Controlar y/o limpiar la superficie de apoyo o sustituir las guarniciones.
	El filtro del motor del sistema de aspiración está sucio.	Limpiar.
El flujo de la solución detergente es insuficiente.	El conducto del detergente está sucio/dañado.	Limpiar.
La boquilla causa estriados en el suelo.	Residuos bajo de los cauchos de la boquilla.	Quitar los residuos.
	Los cauchos de la boquilla están desgastados, astillados o desgarrados.	Sustituir los cauchos.

Para informaciones suplementarias consultar el Manual de asistencia en los Centros de asistencia Clarke.

ELIMINACIÓN

Eliminar la máquina en un demoledor calificado.

Antes de eliminar la máquina es necesario quitar y separar los siguientes materiales y eliminarlos según las actuales normas de higiene ambiental:

- Batería
- Cepillos
- Tubos y componentes de plástico
- Componentes eléctricos y electrónicos (*)

(*) En particular, para la eliminación de los componentes eléctricos y electrónicos, contactar con Clarke.

LISEZ CE MANUEL**TABLE DES MATIERES**

Il contient des informations importantes pour une utilisation correcte de la machine, en toute sécurité. Lisezle complètement avant de mettre la machine en marche ou d'effectuer un entretien. A défaut, vous risqueriez de vous blesser ou de blesser d'autres membres du personnel, d'endommager sérieusement la machine ou de provoquer des dégâts dans son environnement. Avant de se servir de la machine, il est indispensable d'avoir reçu une formation. Si vous-même (ou le conducteur) ne parlez pas français, veuillez demander (ou lui fournir) toutes les explications nécessaires. Des versions du manuel existent en d'autres langues. Toutes les indications de direction figurant dans ce manuel sont visualisées depuis la position du conducteur, à l'arrière de la machine. Des manuels supplémentaires peuvent être obtenus auprès de votre revendeur Clarke.

TABLE DES MATIERES

INTRODUCTION	38
BUT ET CONTENU DU MANUEL	38
DESTINATAIRES.....	38
CONSERVATION DU MANUEL.....	38
DONNEES D'IDENTIFICATION	38
AUTRES MANUELS DE REFERENCE.....	38
PIECES DE RECHANGE ET ENTRETIEN	38
MODIFICATIONS ET AMELIORATIONS.....	38
CAPACITES OPERATIONNELLES	38
CONVENTIONS	38
DEBALLAGE / LIVRAISON.....	39
SECURITE	39
SYMBOLES UTILISES	39
INSTRUCTIONS GENERALES.....	40
SYMBOLES.....	41
DESCRIPTION DE LA MACHINE	42
STRUCTURE DE LA MACHINE.....	42
GUIDON AVEC TABLEAU DE BORD.....	43
ACCESSOIRES / OPTIONS.....	43
CARACTERISTIQUES TECHNIQUES.....	44
SCHEMA ELECTRIQUE.....	45
UTILISATION	46
CONTROLE / PREPARATION DE LA BATTERIE SUR UNE MACHINE NEUVE.....	46
INSTALLATION DE LA BATTERIE	46
AVANT LA MISE EN MARCHÉ DE LA MACHINE	47
MISE EN MARCHÉ ET ARRÊT DE LA MACHINE	48
MACHINE AU TRAVAIL (LAVAGE / SECHAGE)	48
TRANSPORT / STATIONNEMENT DE LA MACHINE.....	49
VIDANGE DES RESERVOIRS.....	49
APRES L'UTILISATION DE LA MACHINE	50
INACTIVITE PROLONGEE DE LA MACHINE	50
PREMIERE PERIODE D'UTILISATION.....	50
ENTRETIEN	50
PLAN D'ENTRETIEN PROGRAMME.....	50
NETTOYAGE DE L'EMBOUCHURE	51
CONTROLE ET REMPLACEMENT DES LAMELLES EN CAOUTCHOUC DE L'EMBOUCHURE	51
NETTOYAGE DE LA BROUSSE.....	52
NETTOYAGE DES RESERVOIRS, DU COUVERCLE ET DE LA GRILLE D'ASPIRATION	52
NETTOYAGE DES JOINTS ET DU FILTRE DU MOTEUR DU SYSTEME D'ASPIRATION.....	52
REGLAGE DE L'AVANCE DE LA MACHINE.....	53
CHARGEMENT DE LA BATTERIE.....	53
CONTROLE / REMPLACEMENT / RETABLISSEMENT DES FUSIBLES.....	54
DEPISTAGE DES PANNES.....	54
MISE A LA FERRAILLE.....	54
PARTS LIST.....	55

INTRODUCTION



REMARQUE

Les nombres entre parenthèses se réfèrent aux composants indiqués au chapitre Description de la machine.

BUT ET CONTENU DU MANUEL

Ce manuel se propose de fournir à l'opérateur toutes les informations nécessaires afin qu'il puisse utiliser la machine correctement et la gérer de la manière la plus autonome et sûre. Il comprend des informations concernant l'aspect technique, la sécurité, le fonctionnement, l'arrêt de la machine, l'entretien, les pièces de rechange et la mise à la ferraille.

Avant d'effectuer toute opération sur la machine, les opérateurs et les techniciens qualifiés doivent lire attentivement les instructions contenues dans ce manuel. En cas de doutes sur la correcte interprétation des instructions, contacter Clarke pour avoir plus de renseignements.

DESTINATAIRES

Ce manuel s'adresse à l'opérateur aussi bien qu'aux techniciens préposés à l'entretien de la machine.

Les opérateurs ne doivent pas exécuter les opérations réservées aux techniciens qualifiés. Clarke ne répond pas des dommages dus à l'inobservance de cette interdiction.

CONSERVATION DU MANUEL

Le Manuel d'utilisation doit être gardé près de la machine, dans une enveloppe spéciale et, surtout, loin de liquides et de tout ce qui pourrait en compromettre l'état de lisibilité.

DONNEES D'IDENTIFICATION

Le numéro de série et le modèle de la machine sont indiqués sur la plaque (27).

L'année de fabrication de la machine est indiquée dans la Déclaration de Conformité, ainsi que par les deux premiers chiffres du numéro de série de la machine.

Ces informations sont nécessaires lors de la commande des pièces de rechange de la machine. Utiliser l'espace suivant pour noter les données d'identification de la machine.

Modèle de la MACHINE
Numéro de série de la MACHINE

AUTRES MANUELS DE REFERENCE

- Manuel du chargeur de batterie électronique (qui constitue une partie intégrante de ce manuel)

Les manuels suivants sont aussi disponibles :

- Manuel d'entretien (consultable auprès des Services après-vente Clarke)
- Catalogue de pièces de rechange (livré avec la machine)

PIECES DE RECHANGE ET ENTRETIEN

Pour toute nécessité concernant l'emploi, l'entretien et la réparation, s'adresser au personnel qualifié ou directement aux Services après-vente Clarke.

N'utiliser que des pièces de rechange et accessoires d'origine.

Pour l'assistance ou la commande de pièces de rechange et accessoires, contacter Clarke en spécifiant toujours le modèle et le numéro de série.

MODIFICATIONS ET AMELIORATIONS

Clarke vise à un constant perfectionnement de ses produits et se réserve le droit d'effectuer des modifications et des améliorations, lorsqu'elles sont nécessaires, sans l'obligation de modifier les machines précédemment vendues.

Il est entendu que toute modification et / ou addition d'accessoires doit toujours être approuvée et réalisée par Clarke.

CAPACITES OPERATIONNELLES

Cette autolaveuse est conçue et fabriquée pour le nettoyage (lavage et séchage) de sols lisses et solides, en milieux civils et industriels, en conditions de complète sécurité, par un opérateur qualifié.

L'autolaveuse n'est pas adaptée au lavage de tapis ou moquettes.

CONVENTIONS

Toutes les références à en avant, en arrière, avant, arrière, droite ou gauche indiquées dans ce manuel doivent être considérées comme référées à l'opérateur en position de conduite, les mains sur le guidon (1).

DEBALLAGE / LIVRAISON

Pour déballer la machine, suivre attentivement les instructions sur l'emballage.

Lors de la livraison de la machine, contrôler attentivement que l'emballage et la machine n'ont pas été endommagés pendant le transport. Si les dommages sont évidents, garder l'emballage de façon qu'il puisse être examiné par le transporteur qui l'a livré.

Contactez immédiatement le transporteur pour remplir une demande de dommages-intérêts.

Contrôlez que le matériel livré avec la machine correspond à la liste suivante :

- Documentation technique :
 - Manuel d'utilisation de l'autolaveuse
 - Manuel du chargeur de batterie électronique
 - Catalogue de pièces de rechange de l'autolaveuse
 - Fusibles lamellaires

SECURITE

On utilise les symboles suivants pour signaler les conditions de danger potentielles. Lire attentivement ces informations et prendre les précautions nécessaires pour protéger les personnes et les choses.

Pour éviter tout accident, la collaboration de l'opérateur est essentielle. Aucun programme de prévention des accidents du travail ne peut résulter efficace sans la totale collaboration de la personne directement responsable du fonctionnement de la machine.

La plupart des accidents qui peuvent survenir sont dus à l'inobservance des plus simples règles de prudence. Un opérateur attentif et prudent est la meilleure garantie contre les accidents du travail et se révèle indispensable pour compléter n'importe quel programme de prévention.

SYMBOLES UTILISES



DANGER !

Indique une situation dangereuse exposant l'opérateur au risque de blessures graves, voire mortelles.



ATTENTION !

Indique un risque potentiel d'accident pour les personnes ou de dommage matériel.



AVERTISSEMENT !

Indique un avertissement ou une remarque sur des fonctions clé ou utiles. Prêter la plus grande attention aux segments de texte marqués par ce symbole.



REMARQUE

Indique une remarque sur des fonctions clé ou utiles.



CONSULTATION

Indique la nécessité de consulter le Manuel d'utilisation avant toute opération.

INSTRUCTIONS GENERALES

Les avertissements et précautions spécifiques suivants informent sur les potentiels dangers de dommages matériels ou blessures.



DANGER !

- Avant d'effectuer toute opération de nettoyage, d'entretien et de remplacement des composants, débrancher le connecteur de la batterie et porter l'interrupteur général sur «0».
- Cette machine doit être utilisée uniquement par le personnel adéquatement formé.
- Tenir les étincelles, les flammes et les matériaux incandescents éloignés de la batterie. Les batteries produisent des gaz potentiellement explosifs pendant l'utilisation ordinaire.
- Ne pas porter de bijoux quand on travaille près de composants électriques.
- Ne pas travailler sous la machine soulevée, sans des supports fixes de sécurité convenables.
- Ne pas opérer avec cette machine en présence de poudres, liquides ou vapeurs nuisibles, dangereux, inflammables et / ou explosifs : la machine ne doit pas être utilisée pour ramasser des matériaux dangereux.
- Le chargement de la batterie produit un gaz hydrogène très explosif. Garder le couvercle en position ouverte pendant le cycle de rechargement de la batterie et effectuer l'opération exclusivement en milieux bien aérés et loin de flammes libres.



ATTENTION !

- Avant d'effectuer toute opération d'entretien / réparation, lire attentivement toutes les instructions qui concernent l'entretien / réparation.
- Avant d'utiliser le chargeur de batterie, s'assurer que la fréquence et la tension indiquées sur la plaque avec numéro de série coïncident avec la tension du réseau.
- Ne pas utiliser le câble du chargeur de batterie pour tirer ou transporter la machine et ne pas utiliser le câble comme poignée. Ne pas fermer de porte sur le câble du chargeur de batterie, ne pas tirer le câble sur des surfaces ou coins tranchants. Ne pas faire passer la machine sur le câble du chargeur de batterie.
- Tenir le câble du chargeur de batterie éloigné des surfaces chaudes.
- Ne pas utiliser la machine si le câble du chargeur de batterie ou la fiche sont endommagés. Si la machine ne fonctionne pas correctement, si elle est endommagée, laissée à l'extérieur ou tombée dans l'eau, l'amener auprès d'un Service après-vente agréé.
- Pour réduire le risque d'incendie, chocs électriques ou blessures, ne pas laisser la machine sans surveillance lorsqu'elle est branchée au réseau électrique. Débrancher le câble du chargeur de batterie du réseau électrique avant d'effectuer toute opération d'entretien.
- Ne pas fumer pendant le chargement de la batterie.
- Protéger toujours la machine du soleil, de la pluie et d'autres intempéries, pendant le fonctionnement et en état d'arrêt. Garder la machine dans un endroit couvert et sec : elle a été conçue pour l'utilisation à sec, par conséquent elle ne doit pas être utilisée ou gardée dehors, dans des conditions d'humidité.
- Avant d'utiliser la machine, fermer tous les portillons et / ou couvercles.
- Ne pas laisser que la machine est utilisée comme jouet. Faire attention lorsque la machine est utilisée à proximité des enfants.
- Ne pas utiliser à des fins autres que celles prévues dans ce manuel. Utiliser seulement les accessoires recommandés par Clarke.
- Prendre les précautions convenables afin que les cheveux, les bijoux, les parties non adhérentes des vêtements ne soient pas capturés par les parties en mouvement de la machine.
- Prêter attention aux parties en mouvement de la machine. Pendant l'utilisation, la tête peut tout à coup tourner de 180°.
- Ne pas utiliser la machine sur des surfaces en pente.
- Afin de ne pas compromettre la stabilité, ne pas incliner la machine d'un angle supérieur à la valeur indiquée sur la machine même.
- Ne pas utiliser la machine dans des endroits très poussiéreux.
- Utiliser la machine seulement dans des endroits bien illuminés.

**ATTENTION !**

- Pendant l'utilisation de la machine, faire attention à sauvegarder l'intégrité des personnes et des choses.
- Ne pas heurter contre des étagères ou des échafaudages, en particulier en cas de danger de chute d'objets.
- Ne pas poser de conteneurs de liquides sur la machine, utiliser le porte-boissons spécial.
- La température de travail de la machine doit être comprise entre +32°F et 104°F (entre 0°C et +40°C).
- La température de stockage de la machine doit être comprise entre +32°F et 104°F (entre 0°C et +40°C).
- L'humidité doit être comprise entre 30% et 95%.
- Pendant l'utilisation de détergents pour le nettoyage des sols, suivre toujours les instructions et les avertissements indiqués sur les étiquettes des flacons.
- Avant la manipulation de détergents pour le nettoyage des sols, mettre les gants et les vêtements de protection adéquats.
- Ne pas faire travailler les brosses lorsque la machine est arrêtée pour ne pas endommager le sol.
- En cas d'incendie, il est préférable d'utiliser un extincteur à poudre, plutôt qu'un extincteur à eau.
- Ne pas altérer pour aucune raison les protections prévues pour la machine, respecter scrupuleusement les instructions prévues pour l'entretien ordinaire.
- Ne pas laisser entrer d'objets dans les ouvertures. Ne pas utiliser la machine si les ouvertures sont obstruées. Garder les ouvertures de la machine libres de poussière, filasse, poils et tout autre corps étranger à même de réduire le flux d'air.
- Ne pas enlever ou altérer les plaques apposées sur la machine.
- La machine n'est pas approuvée pour l'utilisation sur la voie publique.
- Faire attention pendant les déplacements de la machine en conditions de températures inférieures au point de congélation. L'eau présente dans le réservoir de l'eau de récupération ou dans les tuyaux pourrait se congeler et endommager sérieusement la machine.
- Utiliser les brosses et les disques livrés avec la machine et ceux spécifiés dans le Manuel d'utilisation. L'utilisation de brosses ou disques différents peut compromettre la sécurité.
- S'assurer que les éventuelles anomalies de fonctionnement de la machine ne dépendent pas du manque d'entretien. En cas contraire, demander l'intervention du personnel autorisé ou d'un Service après-vente autorisé.
- En cas de remplacement de pièces, demander les pièces de rechange D'ORIGINE à un Concessionnaire ou Revendeur autorisé.
- Afin de garantir la sécurité et le bon fonctionnement de la machine, faire effectuer l'entretien programmé prévu au chapitre spécifique de ce manuel par du personnel autorisé ou par un Service après-vente autorisé.
- Ne pas laver la machine avec des jets d'eau directs ou sous pression ou avec des substances corrosives.
- Lors de la mise à la ferraille, la machine ne doit pas être abandonnée par la présence de matériaux toxiques (batterie, etc.), sujets à des lois qui prévoient l'élimination auprès de centres spéciaux (voir le chapitre Mise à la ferraille).

SYMBOLES**AVERTISSEMENT !**

Avant d'effectuer toute activité d'entretien / réparation, lire attentivement toutes les instructions qui concernent la machine.

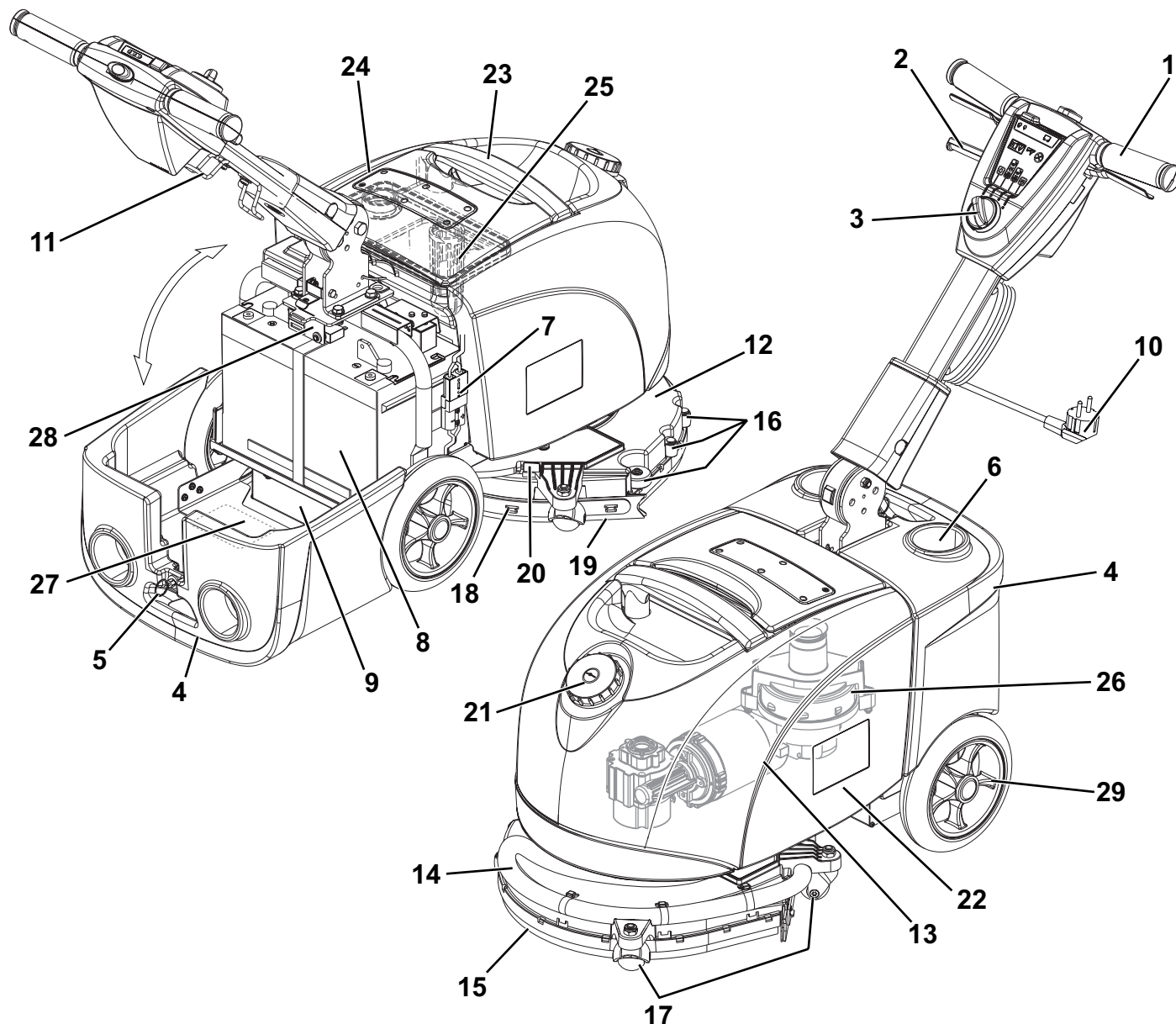
**AVERTISSEMENT !**

Ne pas laver la machine avec des jets d'eau directs ou sous pression.

DESCRIPTION DE LA MACHINE

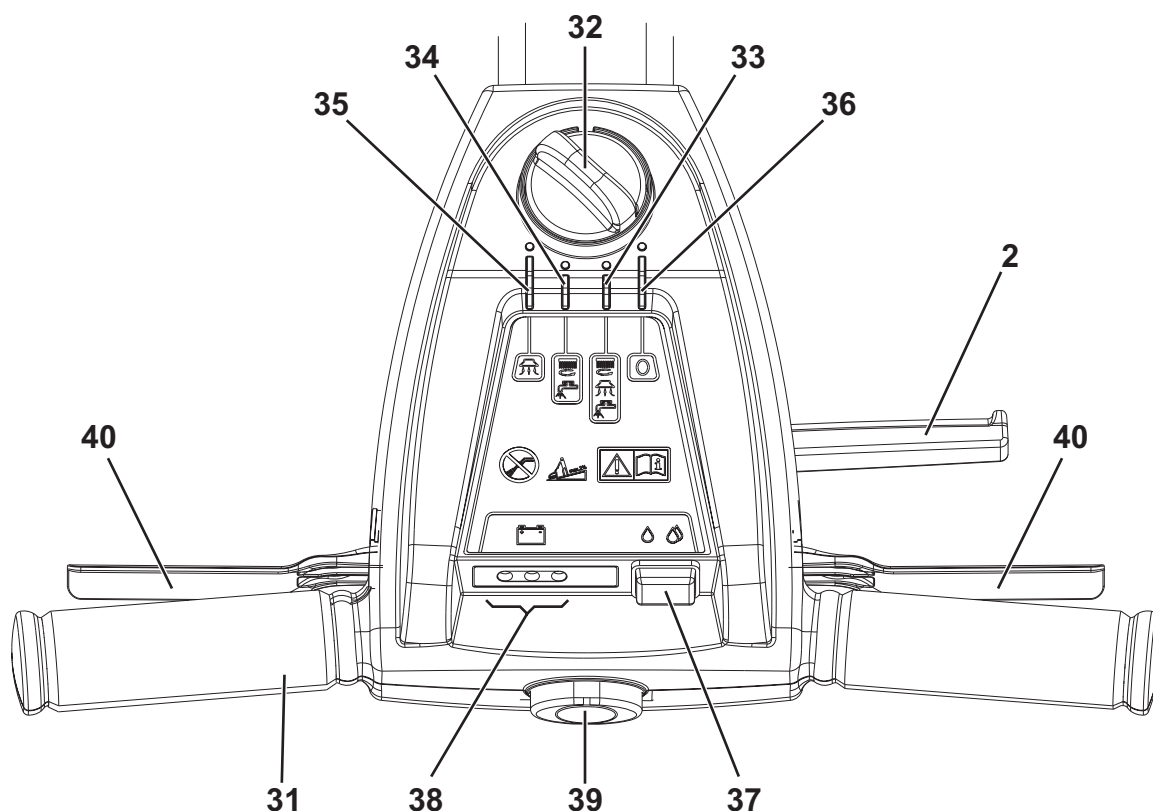
STRUCTURE DE LA MACHINE

- | | |
|--|---|
| 1. Guidon avec tableau de bord (voir le paragraphe suivant) | 17. Roues d'appui tête |
| 2. Levier de réglage inclinaison guidon | 18. Embouchure |
| 3. Manette de sélection et de lancement de programme | 19. Groupe lamelles en caoutchouc embouchure |
| 4. Couvercle ouvrable logement batteries et composants auxiliaires | 20. Pincés d'accrochage embouchures à la tête |
| 5. Fermeture couvercle | 21. Goulotte de remplissage réservoir solution |
| 6. Porte-objets | 22. Groupe réservoirs (solution et eau de récupération) |
| 7. Connecteur de branchement batterie | 23. Poignée de soulèvement groupe réservoirs |
| 8. Batterie GEL / AGM | 24. Couvercle transparente à grille d'aspiration |
| 9. Chargeur de batterie | 25. Grille d'aspiration avec fermeture automatique à flotteur |
| 10. Câble d'alimentation chargeur de batterie | 26. Moteur système d'aspiration |
| 11. Support câble chargeur de batterie | 27. Plaque avec numéro de série / données techniques / marquage de conformité |
| 12. Tête porte-brosse / plateau support disque | 28. Fusibles |
| 13. Motoréducteur tête brosse | 29. Roues arrière sur essieu fixe |
| 14. Tuyau d'aspiration embouchure | |
| 15. Jupe de protection | |
| 16. Rouleaux pare-chocs tête | |



GUIDON AVEC TABLEAU DE BORD

- | | |
|---|--|
| <p>31. Guidon</p> <p>32. Manette de sélection de programme</p> <p>33. Programme : actionnement de la brosse - mise en marche du système d'aspiration - ouverture de débit de solution</p> <p>34. Programme : actionnement de la brosse - ouverture du débit de solution</p> <p>35. Programme : mise en marche du système d'aspiration</p> <p>36. Sélection «0» d'arrêt de la machine</p> <p>37. Bouton-poussoir de sélection de quantité de flux de solution</p> <ul style="list-style-type: none"> • Une goutte - flux de solution minimum • Deux gouttes - flux de solution maximum | <p>38. DELS état de charge batterie</p> <ul style="list-style-type: none"> • DEL vert - batterie chargée • DEL jaune - batterie presque déchargée • DEL rouge - batterie déchargée <p>39. Bouton-poussoir de validation démarrage machine</p> <p>40. Levier de commande / arrêt démarrage machine</p> |
|---|--|



P100448

ACCESSOIRES / OPTIONS

Outre les composants présents dans le modèle standard, la machine peut être équipée des accessoires optionnels suivants, selon l'emploi spécifique de la machine:

- Brosses de matériaux différents par rapport aux brosses standard
- Disques de matériaux différents par rapport aux disques standard

Pour de plus amples informations relatives aux accessoires optionnels susmentionnés, s'adresser au revendeur agréé.

CARACTERISTIQUES TECHNIQUES

Caractéristiques générales	Vantage 14
Longueur minimum / maximum machine à guidon	28,7 / 50 in (730 / 1.270 mm)
Largeur machine	18,5 in (470 mm)
Hauteur minimum / maximum machine avec guidon réglable	21,6 / 39,3 in (550 / 1.000 mm)
Poids sans batterie et avec réservoirs vides	97 lb (44 kg)
Poids maximum avec batterie, réservoirs pleins (PTC)	178,5 lb (81 kg)
Largeur de nettoyage	14,5 in (370 mm)
Dimensions logement batterie	13,8x6,9x9,5 in (350x175x240 mm)
Diamètre roues sur essieu fixe	14,5 in (370 mm)
Diamètre brosse / disque	14,5 in (370 mm)
Pression roues arrière au sol	0,6 N/mm ² (87 psi)
Pression brosse / disque au sol	46,3 lb (21 Kg)
Pression brosse / disque sur le sol avec réservoir plein	66 lb (30 Kg)
Performances	Vantage 14
Aspiration	0,007 MPa (710 mmH ₂ O)
Flux de solution min / max	Une goutte : 0,066 gpm (0,25 litres/min) Deux gouttes : 0,13 gpm (0,5 litres/min)
Vitesse moteur brosse / plateau support disque	140 tr/mn
Pression acoustique à l'oreille de l'opérateur (ISO 11201, ISO 4871, EN 60335-2-72) (LpA)	64 dB(A) ± 3 dB(A)
Puissance acoustique émise par la machine (ISO 3744, ISO 4871, EN 60335-2-72) (LwA)	84 dB(A)
Niveau de vibrations au bras de l'opérateur (ISO 5349-1, EN 60335-2-72)	98,4 in/s ² (< 2,5 m/s ²)
Puissance moteur système d'aspiration	0,27 hp (200 W)
Puissance moteur brosse / plateau support disque	0,32 hp (240 W)
Pente maximum d'usage	1,14° (2%)
Tension batterie	12 V
Batterie standard	Batterie 12V 87AhC5 AGM
Autonomie batterie standard	2 h
Capacité réservoir solution	2,9 USgal (11 litres)
Capacité réservoir eau de récupération	3,2 USgal (12 litres)

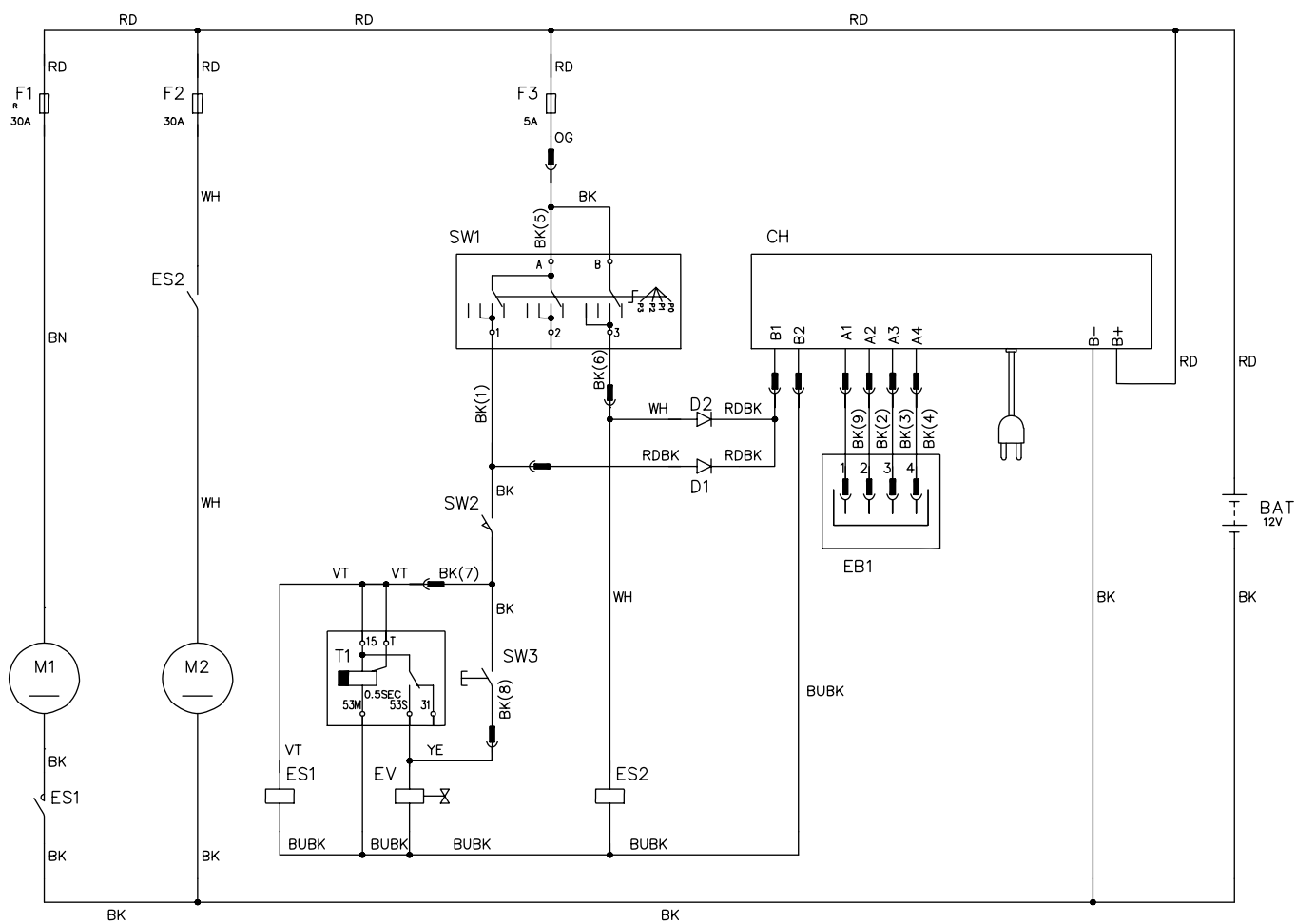
SCHEMA ELECTRIQUE

Légende

BAT	Batterie 12 V
CH	Chargeur de batterie
D1	Diode
D2	Diode
EB1	Carte chargeur de batterie
ES1	Télérupteur moteur brosse
ES2	Relais moteur aspirateur
EV	Electrovanne solution
F1	Fusible restaurable moteur brosse (30 A)
F2	Fusible moteur aspirateur (30 A)
F3	Fusible sélecteur de fonctions (5 A)
M1	Moteur brosse
M2	Moteur système d'aspiration
SW1	Sélecteur de fonctions
SW2	Interrupteur de validation moteur brosse - électrovanne
SW3	Interrupteur débit solution
T1	

Codes des couleurs

BK	Noir
BU	Bleu
BN	Marron
GN	Vert
GY	Gris
OG	Orange
PK	Rose
RD	Rouge
VT	Violet
WH	Blanc
YE	Jaune



P100406

UTILISATION



ATTENTION !

Des plaques adhésives appliquées sur certains points de la machine indiquent :

- **DANGER**
- **ATTENTION**
- **AVERTISSEMENT**
- **CONSULTATION**

Lors de la lecture de ce manuel, l'opérateur doit bien comprendre le sens des symboles illustrés sur les plaques.

Ne pas couvrir les plaques et les remplacer immédiatement en cas d'endommagement.

CONTROLE / PREPARATION DE LA BATTERIE SUR UNE MACHINE NEUVE



ATTENTION !

Les composants électriques de la machine peuvent être sérieusement endommagés si la batterie n'est pas installée et branchée correctement. La batterie doit être installée par le personnel qualifié. Contrôler la batterie avant l'installation pour vérifier qu'elle ne soit pas endommagée.

Débrancher le connecteur de la batterie et la fiche du chargeur de batterie.

Déplacer la batterie avec attention.

Installer les protections des bornes de la batterie équipée avec la machine.

La machine requiert 1 batterie de 12 V.

La machine sont livrée selon un des modèles suivants :

Batterie au GEL / AGM installée dans la machine et prête à l'utilisation

1. Ouvrir le couvercle (4) et contrôler que la batterie est branchée à la machine au moyen du connecteur (7).
2. Démarrer la machine (voir le paragraphe Mise en marche et arrêt de la machine). Si le DEL vert (38) des indicateurs de l'état de charge s'allume, la batterie est prête à l'utilisation.
3. Si le DEL jaune ou rouge s'allume, il est nécessaire de charger la batterie (voir la procédure au chapitre Entretien).

Sans batterie

1. Acheter une batterie adéquate (voir le paragraphe Caractéristiques techniques).
Pour le choix et l'installation, s'adresser à des revendeurs de batteries qualifiés.
2. Installer la batterie (voir le paragraphe suivant).
3. Charger la batterie.

INSTALLATION DE LA BATTERIE

1. Ouvrir le couvercle (4) et vérifier que le connecteur (7) de la batterie soit débranché.
2. Installer la batterie dans la machine et la fixer au moyen de l'étrier spécifique.



DANGER !

Cette machine requiert l'utilisation de batteries au plomb scellés (technologie GEL ou AGM). Ne pas utiliser pour aucune raison des batteries à électrolyte liquide non scellées (WET).



ATTENTION !

La batterie (GEL / AGM) installée pourrait nécessiter d'un algorithme de chargement spécifique : contacter toujours un Service après-vente qualifié Clarke pour configurer l'algorithme de chargement le plus adapté à la batterie achetée.

Chargement de la batterie

3. Charger la batterie (voir la procédure au chapitre Entretien).

AVANT LA MISE EN MARCHE DE LA MACHINE

Installation / dépose de la brosse / plateau support disque



REMARQUE

Selon le type de sol à nettoyer, il est possible d'installer la brosse (A, Fig. 1) ou le plateau support disque (B et C).

1. Soulever la tête porte-brosse / plateau support disque (12) en faisant levier sur le guidon (1).
2. Positionner la brosse (A, Fig. 1) ou le plateau support disque (B et C) sous la tête (12).
3. Baisser la tête (12) au moyen du guidon (1).
4. Tourner la manette (32) sur un des programmes indiqués.
5. Appuyer sur le bouton-poussoir de validation (39) et sur les leviers de rotation brosse (40) en même temps pendant quelques secondes, pour permettre l'accrochage de la brosse / plateau support disque.

Pour enlever la brosse / plateau support disque, procéder comme suit.

6. Arrêter la machine en tournant la manette (32) sur «0».
7. Soulever légèrement la tête de la machine en faisant levier sur le guidon (1), puis décrocher manuellement la brosse / plateau support disque du moyeu en la tournant dans le sens contraire au sens de rotation (D, Fig. 1).

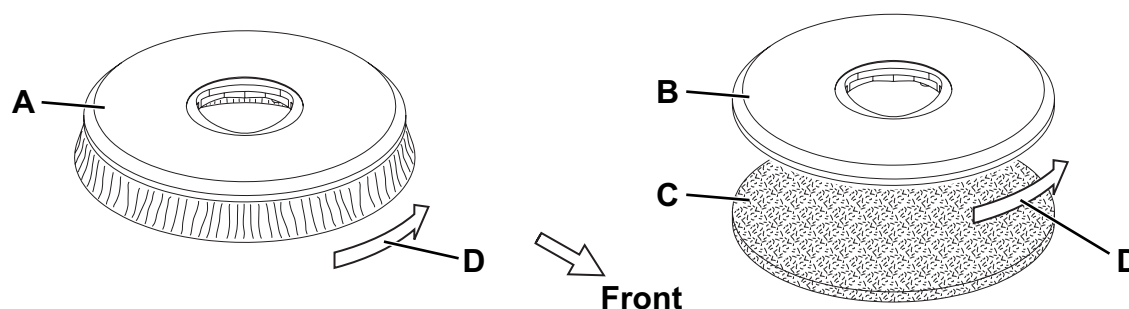


Figure 1

P100407

Suggestions pour le choix des brosses (voir les pièces de rechange recommandées pour les codes)

	Modèles	MIDLITE GRIT 180	MIDGRIT 240	PROLITE	UNION MIX
Nettoyage général	Béton				
	Pavage terrasse				
	Carreaux de céramique / de carrière				
	Marbre				
	Carreaux de vinyle				
	Carreaux de caoutchouc				
Polissage	Carreaux de caoutchouc				
	Marbre				
	Carreaux de vinyle				

Remplissage du réservoir de solution

8. Ouvrir la goulotte (21), remplir le réservoir (22) avec une solution adéquate au travail à effectuer. Ne jamais remplir complètement le réservoir de solution, mais laisser toujours quelques centimètres du bord. Suivre toujours les instructions de dilution sur l'étiquette du conteneur du produit chimique utilisé pour la solution. La température de la solution ne doit jamais être supérieure à 104° F (40°C).



AVERTISSEMENT !

Utiliser exclusivement des détergents liquides peu mousseux et non inflammables, adéquats pour les machines utilisées.

Réglages

9. Régler la hauteur et l'inclinaison du guidon (1) au moyen du levier (2) selon son propre confort.

MISE EN MARCHÉ ET ARRÊT DE LA MACHINE

Mise en marche de la machine

1. Préparer la machine comme indiqué au paragraphe précédent.
2. Positionner l'interrupteur de réglage du flux de solution (37) dans une des deux positions suivantes, selon le type de nettoyage à effectuer :
 - Interrupteur sur une goutte : porter l'interrupteur sur cette position pour le lavage de sols peu sales ; dans cette condition, la machine peut travailler avec une autonomie de 50 minutes (0,25 litres / min en moyenne).
 - Interrupteur sur deux gouttes : porter l'interrupteur sur cette position pour le lavage de sols assez / très sales ; dans cette condition, la machine peut travailler avec une autonomie de 25 minutes (0,5 litres / min en moyenne).
3. Tourner la manette (32) sur le programme voulu.
 - (33) actionnement de la brosse - mise en marche du système d'aspiration - ouverture de débit de solution
 - (34) actionnement de la brosse - ouverture du débit de solution
 - (35) mise en marche du système d'aspiration
4. Tout en gardant les mains sur le guidon (1), démarrer la machine en appuyant en même temps sur le bouton-poussoir de validation (39) et sur les leviers de rotation brosse (40).



REMARQUE

Si le DEL vert (38) des indicateurs de l'état de charge s'allume, la machine est prête à l'utilisation. Si le DEL jaune ou rouge s'allume, il est nécessaire de charger la batterie (voir la procédure au chapitre Entretien).

Arrêt de la machine

5. Relâcher les leviers de rotation brosse (40) et le bouton-poussoir de validation (39).
6. Tourner la manette (32) sur «0» pour arrêter la machine.

MACHINE AU TRAVAIL (LAVAGE / SECHAGE)

1. Démarrer la machine comme prévu au paragraphe précédent.
2. Tout en gardant les mains sur le guidon (1), déplacer la machine et commencer le travail de lavage / séchage du sol.
3. Si besoin est, régler la quantité de solution qui arrive à la brosse au moyen de l'interrupteur (37).
4. Quand nécessaire, pour utiliser l'embouchure pour le séchage dans la direction opposée, faire lever avec le guidon (1) et soulever légèrement la tête pendant la rotation de la brosse. Dès que la rotation de 180° de la tête est terminée, procéder avec le lavage / séchage en remorquant la machine.
Pour retourner dans la direction d'avance, manoeuvrer la machine en la poussant en avant jusqu'à ce que la tête retourne dans la position d'origine.



ATTENTION !

Prêter attention quand on soulève la tête pendant la rotation de la brosse : tout à coup, la tête tournera de 180°. Prêter attention aux parties en mouvement, ne pas heurter contre et / ou endommager d'objets, de murs et de personnes.



AVERTISSEMENT !

Afin d'éviter d'endommager la surface du sol à nettoyer, ne pas utiliser la brosse à sec et, lorsque la machine est au repos, arrêter la rotation de la brosse / disque en relâchant les leviers (40).



AVERTISSEMENT !

Avant de soulever la brosse / disque, arrêter sa rotation en relâchant les leviers (40).



REMARQUE

Pour un lavage / séchage correct du sol près du mur, Clarke recommande d'approcher le côté droit de la machine, comme illustré dans la figure 2.

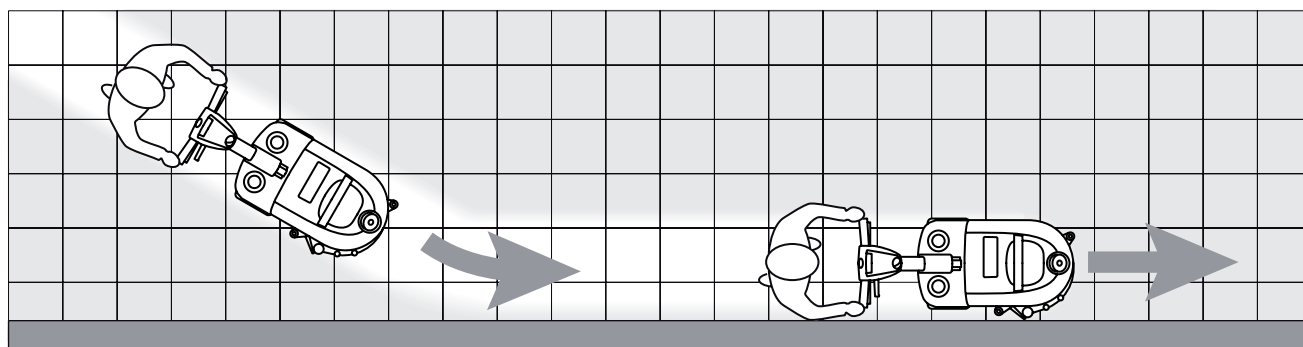


Figure 2

P100449

Réglage de la vitesse d'avance de la machine

- La vitesse d'avance de la machine varie selon le type de sol à nettoyer et le choix d'utiliser la brosse ou le disque. Si besoin est, il est possible de régler la vitesse d'avance en suivant la procédure au chapitre Entretien.

Déchargement de la batterie pendant le travail

- Tant que le DEL vert (38) de charge de la batterie reste allumé, la batterie permet le fonctionnement normal de la machine. Lorsque le DEL vert s'éteint et les DELS jaune et rouge s'allument en séquence, il est nécessaire de procéder au chargement de la batterie, car l'autonomie résiduelle de fonctionnement de la machine est minimum.



AVERTISSEMENT !

Ne pas insister à utiliser la machine avec la batterie déchargée, pour ne pas endommager la batterie en réduisant sa vie utile.

TRANSPORT / STATIONNEMENT DE LA MACHINE

Pour le transport / stationnement de la machine, procéder comme suit.

- Arrêter la machine en tournant la manette (32) sur «0».
- Saisir le guidon (1) et soulever légèrement la tête porte-brosse de la machine. Tout en gardant la machine dans cette condition, la pousser dans le lieu de transport/stationnement.
- Le travail effectué, enlever la brosse / disque afin de ne pas l'entraîner sur le sol et de ne pas laisser des traces mouillées (voir la procédure au paragraphe spécifique).

VIDANGE DES RESERVOIRS

Un système de fermeture automatique à flotteur (25) bloque le système d'aspiration lorsque le réservoir de l'eau de récupération (23) est plein.

Le blocage du système d'aspiration peut être détecté grâce à l'augmentation soudaine de la fréquence du bruit du moteur d'aspiration ; en outre, le système d'aspiration ne sèche pas le sol.



AVERTISSEMENT !

Si le système d'aspiration s'arrête pour causes accidentelles (par exemple pour l'intervention prématurée du flotteur pendant un déplacement soudain de la machine), pour le démarrer, arrêter la machine au moyen de la manette (32), vérifier que le flotteur dans la grille (25) est au niveau de l'eau ; enfin, démarrer à nouveau le système d'aspiration en tournant la manette (32).

Lorsque le réservoir de l'eau de récupération (23) est plein, le vider en procédant comme suit.

Vidange des réservoirs de l'eau de récupération et de la solution

- Arrêter la machine en tournant la manette (32) sur «0».
- Pousser la machine dans la zone destinée à l'écoulement.
- Enlever le couvercle transparent (24).
- Saisir la poignée (23) et soulever le groupe réservoirs (22).
- Vider le réservoir de l'eau de récupération. Le travail effectué, rincer le réservoir à l'eau propre.
- Ouvrir la goulotte (21) et vider le réservoir de solution. Le travail effectué, rincer le réservoir à l'eau propre.

APRES L'UTILISATION DE LA MACHINE

Le travail effectué, avant de laisser la machine :

1. Vider les réservoirs (23 et 22) comme indiqué au paragraphe spécifique.
2. Effectuer les opérations d'entretien prévues après l'utilisation de la machine (voir le chapitre Entretien).
3. Garder la machine dans un endroit sec et propre, avec la brosse / plateau support disque et les lamelles en caoutchouc de l'embouchure déposées ou soulevées.

INACTIVITE PROLONGEE DE LA MACHINE

Si on prévoit de ne pas utiliser la machine pendant plus de 30 jours, il est convenable d'effectuer les opérations suivantes :

1. Effectuer les opérations prévues au paragraphe précédent.
2. Ouvrir le couvercle (4) et débrancher le connecteur (7) de la batterie.
3. Garder la machine dans un endroit propre et sec.
4. Pour mieux sauvegarder la brosse et les lamelles en caoutchouc de l'embouchure, tourner le guidon (1) et garer la machine comme indiqué dans la figure 3.

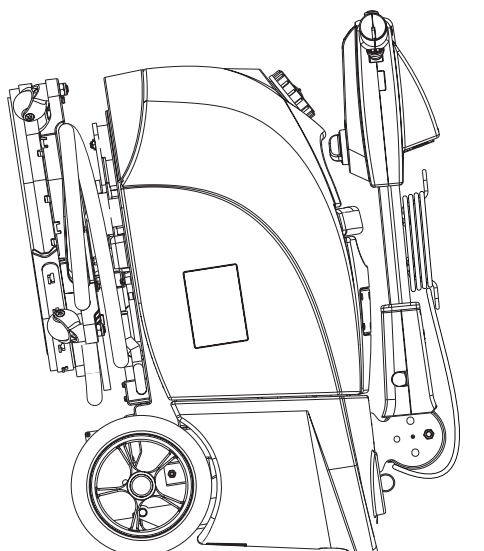


Figure 3

P100451

PREMIERE PERIODE D'UTILISATION

Après les 8 premières heures d'utilisation, contrôler le serrage des éléments de fixation et de connexion de la machine. Vérifier que les parties visibles sont intactes et sans pertes.

ENTRETIEN

La durée de vie de la machine et sa sécurité de fonctionnement sont garanties par un entretien soigné et régulier. Veuillez trouver ci-dessous le plan récapitulatif d'entretien programmé. Les périodicités indiquées peuvent subir des variations en fonction de conditions de travail particulières, à définir par le responsable de l'entretien.



ATTENTION !

Les opérations d'entretien doivent être exécutées avec la machine à l'arrêt, la batterie et le câble du chargeur de batterie débranchés.

En outre, lire attentivement toutes les instructions du paragraphe Sécurité.

Toutes les opérations d'entretien programmé ou extraordinaire doivent être effectuées par du personnel qualifié ou par un Service après-vente autorisé. Ce manuel ne contient que les opérations d'entretien les plus simples et les plus récurrentes.



REMARQUE

Pour les procédures des autres opérations d'entretien prévues par le plan d'entretien programmé, se référer au manuel d'entretien consultable auprès des Services après-vente.

PLAN D'ENTRETIEN PROGRAMME

Procédure	Quotidienne, après l'utilisation de la machine	Hebdomadaire	Semestrielle	Annuelle
Nettoyage de l'embouchure				
Nettoyage de la brosse				
Nettoyage réservoirs et grille d'aspiration				
Contrôle et / ou remplacement des lamelles en caoutchouc de l'embouchure				
Chargement de la batterie				
Contrôle serrage vis et écrous			(1)	
Contrôle et / ou remplacement des bagues en caoutchouc pour la rotation de la tête porte-brosses				(2)
Contrôle et / ou remplacement du câble de fin de course de la tête porte-brosse				(2)
Contrôle et / ou remplacement des brides en caoutchouc de la tête porte-brosse				(2)

(1) Et après les 8 premières heures de travail.

(2) Pour la procédure correspondante, se référer au Manuel d'entretien.

NETTOYAGE DE L'EMBOUCHURE



REMARQUE

Pour un bon séchage, l'embouchure doit être propre et les lamelles en caoutchouc doivent être en bon état.



ATTENTION !

Lors du nettoyage de l'embouchure, il est conseillé de porter des gants de protection à cause de la présence éventuelle de débris tranchants.

1. Porter la machine sur un sol plat.
2. Tourner la manette (32) sur «0» et débrancher la batterie (7).
3. Tourner la tête porte-brosse / plateau support disque (12) dans le sens contraire aux aiguilles d'une montre jusqu'à fin de course.
4. Déconnecter le tuyau d'aspiration (A, Fig. 4) de l'embouchure en dévissant le collier.
5. Dégager les pinces (B) et enlever l'embouchure (C) en l'extrayant de la tête porte-brosse vers le bas.
6. Laver et nettoyer l'embouchure. Nettoyer en particulier les compartiments de convoyage (D) et l'orifice d'aspiration (E) de la saleté et des déchets.
7. Contrôler que la lamelle en caoutchouc avant (F) et la lamelle en caoutchouc arrière (G) sont intactes et qu'elles ne présentent pas de coupures ou déchirures ; dans le cas contraire, les remplacer (voir la procédure au paragraphe suivant).
8. Pour la repose, procéder dans l'ordre inverse de la dépose.

CONTROLE ET REMPLACEMENT DES LAMELLES EN CAOUTCHOUC DE L'EMBOUCHURE

1. Nettoyer l'embouchure comme indiqué au paragraphe précédent.
2. Contrôler que la lamelle en caoutchouc avant (F, Fig. 4) et la lamelle en caoutchouc arrière (G) sont intactes et qu'elles ne présentent pas de coupures ou de lacérations; en cas contraire, les remplacer selon les instructions suivantes. Contrôler aussi que l'arête de la lamelle en caoutchouc arrière (H) n'est pas usée ; dans le cas contraire, renverser la lamelle, en remplaçant l'arête usée avec l'autre arête (I), si elle est encore intacte. Si l'autre arête est usée, remplacer la lamelle en caoutchouc, en procédant comme suit :
 - Dégager la barre de fixation (K ou M) des dispositifs de retenue (J), puis remplacer (ou renverser) la lamelle en caoutchouc (G ou F).
 - Monter à nouveau la lamelle en caoutchouc en la dégageant aux dispositifs de retenue avec la barre de fixation.
3. Installer l'embouchure (C) en insérant les pinces (B) dans les logements de la tête porte-brosse.
4. Connecter le tuyau d'aspiration (A) à l'embouchure et serrer le collier.

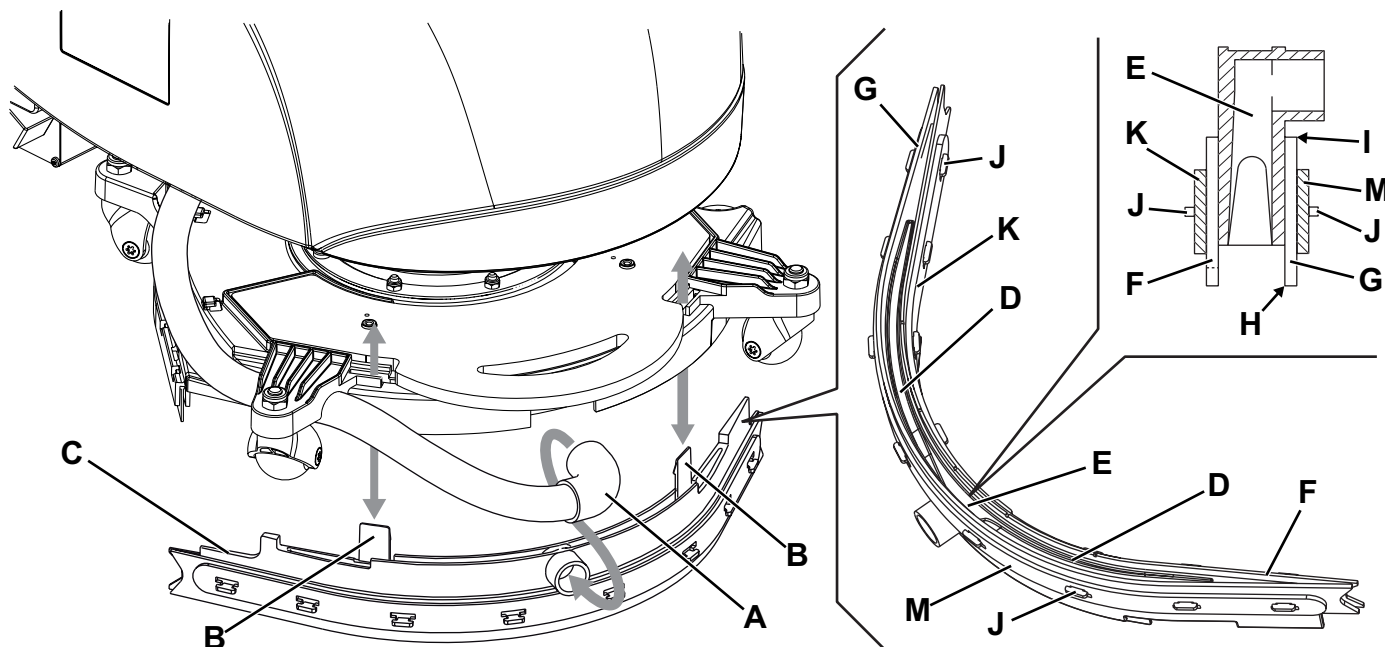


Figure 4

P100452

NETTOYAGE DE LA BROSSE



REMARQUE

Lors du nettoyage de la brosse, il est conseillé de porter des gants de protection à cause de la présence éventuelle de débris tranchants.

1. Déposer la brosse de la machine comme décrit au chapitre Utilisation.
2. Nettoyer et laver la brosse avec de l'eau et de la solution.
3. Contrôler que les poils de la brosse sont intacts et non excessivement usés ; dans le cas contraire, remplacer la brosse.

NETTOYAGE DES RESERVOIRS, DU COUVERCLE ET DE LA GRILLE D'ASPIRATION

1. Pousser la machine dans la zone destinée à l'écoulement.
2. Tourner la manette (32) sur «0» et débrancher la batterie (7).
3. Soulever le couvercle (A, Fig. 5), puis nettoyer et laver à l'eau propre le couvercle et la grille d'aspiration (B). Vider l'eau des réservoirs (C) et les nettoyer.
4. Si besoin est, dégager la grille (B) en la tournant et enlever le flotteur (D), puis nettoyer avec soin et installer à nouveau.
5. Contrôler l'intégrité des joints (E) et (F).



REMARQUE

Les joints d'étanchéité (E) et (F) permettent la création de dépression dans le réservoir, nécessaire à l'aspiration de l'eau de récupération.

Si besoin est, déposer les joints d'étanchéité des logements (G) sur le couvercle (A). Lors de la repose du nouveau joint d'étanchéité (E), positionner le raccord (H) dans la zone indiquée dans la figure.

6. Contrôler aussi la propreté et l'efficacité de la surface d'appui (I) des joints d'étanchéité (E) et (F).

Si besoin est, dévisser les vis (J), ouvrir le couvercle (K) et contrôler l'intégrité du joint (L), puis nettoyer avec soin et installer à nouveau.

7. Fermer le couvercle du réservoir de l'eau de récupération (A).

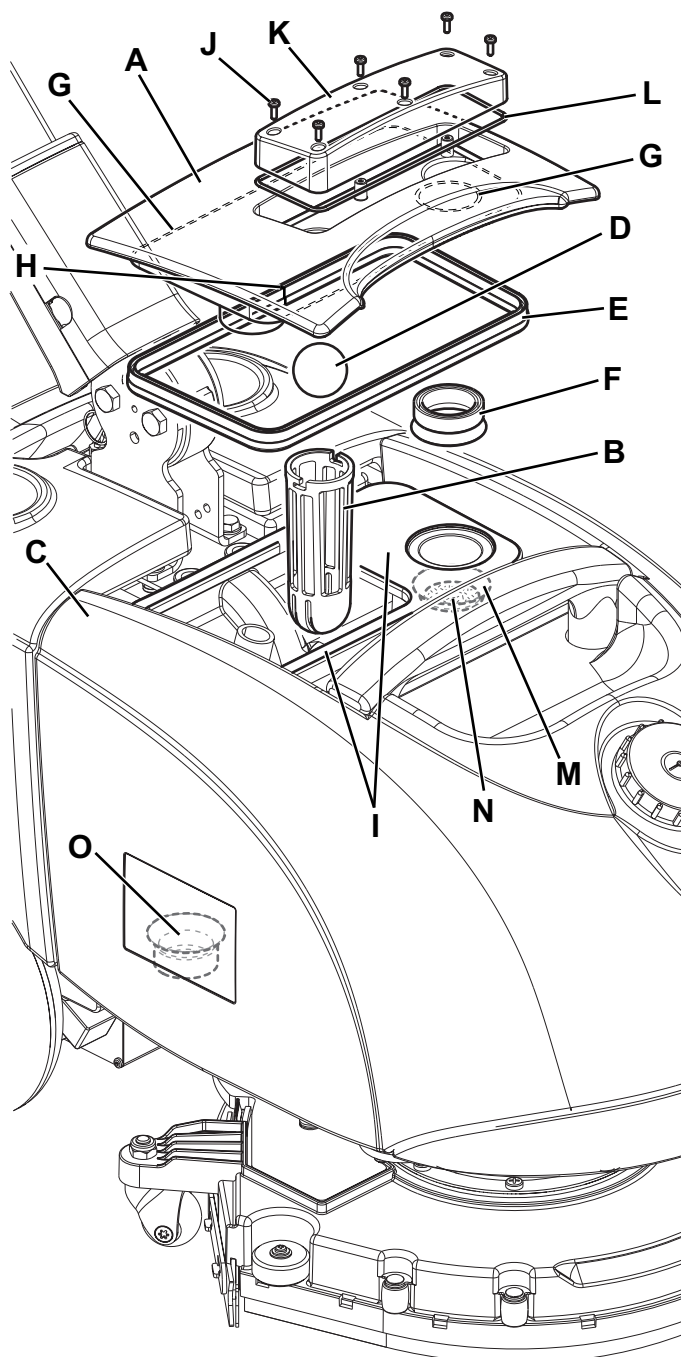


Figure 5

P100453

NETTOYAGE DES JOINTS ET DU FILTRE DU MOTEUR DU SYSTEME D'ASPIRATION



REMARQUE

Les joints d'étanchéité (M) et (O) permettent la création d'une dépression dans le système, nécessaire à l'aspiration de l'eau de récupération.

1. Porter la machine sur un sol plat.
2. Tourner la manette (32) sur «0» et débrancher la batterie (7).
3. Soulever le groupe réservoirs (C) et contrôler l'intégrité du joint (M) du moteur du système d'aspiration. Si besoin est, déposer le joint de son logement et le remplacer.
4. Contrôler que le préfiltre (N) est propre. Si besoin est, le nettoyer à l'eau et à l'air comprimé, puis l'installer à nouveau.
5. Contrôler l'intégrité du joint (O). Si besoin est, déposer le joint de son logement et le remplacer.
6. Nettoyer avec soin et installer à nouveau.

REGLAGE DE L'AVANCE DE LA MACHINE



REMARQUE

La vitesse d'avance rectilinéaire de la machine peut varier en fonction du type de sol à nettoyer, ou de l'utilisation de la brosse ou du disque.

Si besoin est, effectuer les réglages en procédant comme suit.

1. Déposer le réservoir de l'eau de récupération et le réservoir de détergent comme indiqué au paragraphe nettoyage des réservoirs, du couvercle et de la grille d'aspiration.
2. Régler la vitesse d'avance de la machine au moyen du bouton (A, Fig. 6) en procédant comme suit :
 - Tourner dans le sens contraire aux aiguilles d'une montre pour augmenter la vitesse d'avance de la machine.
 - Tourner dans le sens des aiguilles d'une montre pour réduire la vitesse d'avance de la machine.
3. Si l'on relève que la machine a tendance à dévier de la direction d'avance rectilinéaire, il est possible d'agir sur le bouton (B) en le tournant dans le sens des aiguilles d'une montre ou dans le sens contraire pour corriger la déviation et obtenir un mouvement essentiellement neutre.
4. Le réglage terminé, installer les réservoirs comme indiqué dans le paragraphe nettoyage des réservoirs, du couvercle et de la grille d'aspiration.
5. Avec la machine en état de fonctionnement, effectuer des essais pratiques de la machine et, le cas échéant, répéter les étapes de 1 à 4.

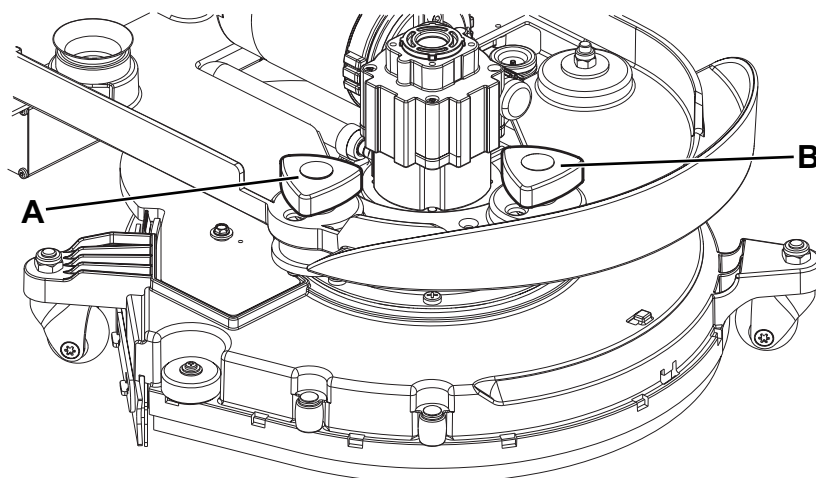


Figure 6

P100413

CHARGEMENT DE LA BATTERIE



REMARQUE

Charger les batteries lorsque le DEL jaune ou rouge s'allume, ou à chaque fin du travail. Garder la batterie chargée afin de prolonger sa vie utile.



AVERTISSEMENT !

Lorsque la batterie est déchargée, la recharger dès que possible, afin de ne pas réduire sa durée de vie utile. Contrôler la charge de la batterie au moins une fois par semaine.

1. Porter la machine sur un sol plat.
2. Tourner la manette (32) sur «0».
3. Brancher le câble (10) du chargeur de batterie au réseau électrique (la tension et la fréquence de réseau doivent coïncider avec les valeurs correspondantes du chargeur de batterie, indiquées dans le manuel correspondant).



REMARQUE

Lorsque le chargeur de batterie est branché au réseau électrique, toutes les fonctions de la machine sont automatiquement exclues.

Le DEL rouge et jaune de l'indicateur de l'état de charge (38) indiquent que le chargeur de batterie est en train de charger la batterie.

4. Quand le DEL vert de l'indicateur de l'état de charge (38) s'allume fixe, le cycle de chargement des batteries est terminé.
5. Le cycle de chargement terminé, débrancher le câble (10) du chargeur de batterie du réseau électrique et l'enrouler autour du logement correspondant.
6. La machine est prête à l'utilisation.



REMARQUE

Pour de plus amples informations relatives au fonctionnement du chargeur de batterie (26), consulter le manuel spécifique.

CONTROLE / REMPLACEMENT / RETABLISSEMENT DES FUSIBLES

1. Porter la machine sur un sol plat.
2. Tourner la manette (32) sur «0» et débrancher la batterie.
3. Ouvrir le couvercle (4) et contrôler si les fusibles suivants sont débranchés ou intacts :
 - (A, Fig 7) : Fusible restaurable F1 (30 A), moteur brosse.
 - (B) : Fusible à lamelle F3 (5 A), composants auxiliaires.
 - (C) : Fusible à lamelle F2 (30 A), moteur système d'aspiration.

Restaurer ou remplacer le fusible après le refroidissement du composant qui a déterminé la coupure.

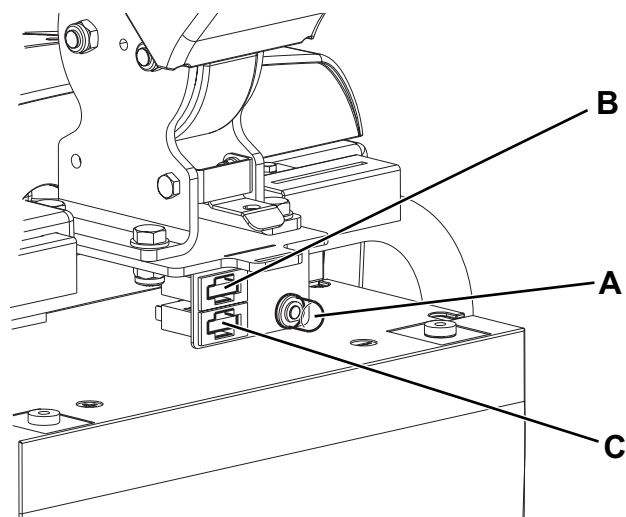


Figure 7

P100414



REMARQUE

Si le fusible ou réinitialiser le remplacement ne restaure pas le fonctionnement, reportez-vous au manuel d'entretien ou contactez Clarke

4. Fermer le couvercle (4).

DEPISTAGE DES PANNES

Problème	Cause possible	Remède
Les moteurs ne fonctionnent pas ; aucun DEL ne s'allume.	Le connecteur de la batterie est débranché.	Connecter.
	La batterie est complètement déchargée.	Charger.
	Le fusible F3 est grillé.	Remplacer.
Le moteur de la brosse ne fonctionne pas.	Le fusible F1 a déclenché.	Restaurer le fusible.
Le moteur du système d'aspiration ne démarre pas.	Le fusible F2 est grillé.	Remplacer.
L'aspiration de l'eau sale est insuffisante.	Le réservoir de l'eau de récupération est plein.	Vider.
	La grille d'aspiration est obstruée ou le flotteur est en position fermée.	Nettoyer la grille et contrôler le flotteur.
	Le tube d'aspiration est débranché de l'embouchure ou est en panne.	Connecter.
	L'embouchure est sale ou les lamelles en caoutchouc de l'embouchure sont usées ou endommagées.	Nettoyer l'embouchure ou remplacer les lamelles en caoutchouc.
	Le couvercle du réservoir de l'eau de récupération n'est pas bien fermé, ou les joints sont endommagés.	Contrôler et / ou nettoyer la zone de contact ou remplacer les joints.
	Le filtre du moteur du système d'aspiration est sale.	Nettoyer.
Le flux de solution à la brosse / disque est insuffisant.	Le conduit de la solution est sale / colmaté.	Nettoyer.
L'embouchure laisse des traces au sol.	Débris sous les lamelles en caoutchouc de l'embouchure.	Enlever les débris.
	Les lamelles en caoutchouc de l'embouchure sont usées, ébréchées ou déchirées.	Remplacer les lamelles en caoutchouc.

Pour de plus amples informations, se référer au manuel d'entretien consultable auprès des Services après-vente Clarke.

MISE A LA FERRAILLE

Effectuer la mise à la ferraille de la machine auprès d'un démolisseur autorisé.

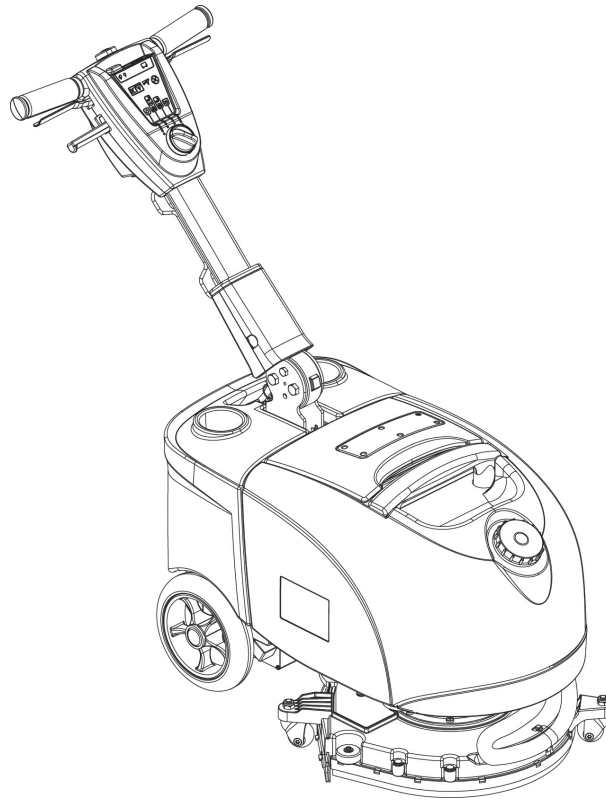
Avant d'effectuer la mise à la ferraille de la machine il est nécessaire de déposer et séparer les éléments suivants et les envoyer aux collectes sélectives, conformément aux normes d'hygiène de l'environnement en vigueur :

- Batterie
- Brosses
- Tuyaux et pièces en matériel plastique
- Parties électriques et électroniques (*)

(*) Notamment pour la mise en décharge des parties électriques et électroniques, s'adresser auprès du centre Clarke le plus proche.

Clarke[®]

Vantage 14



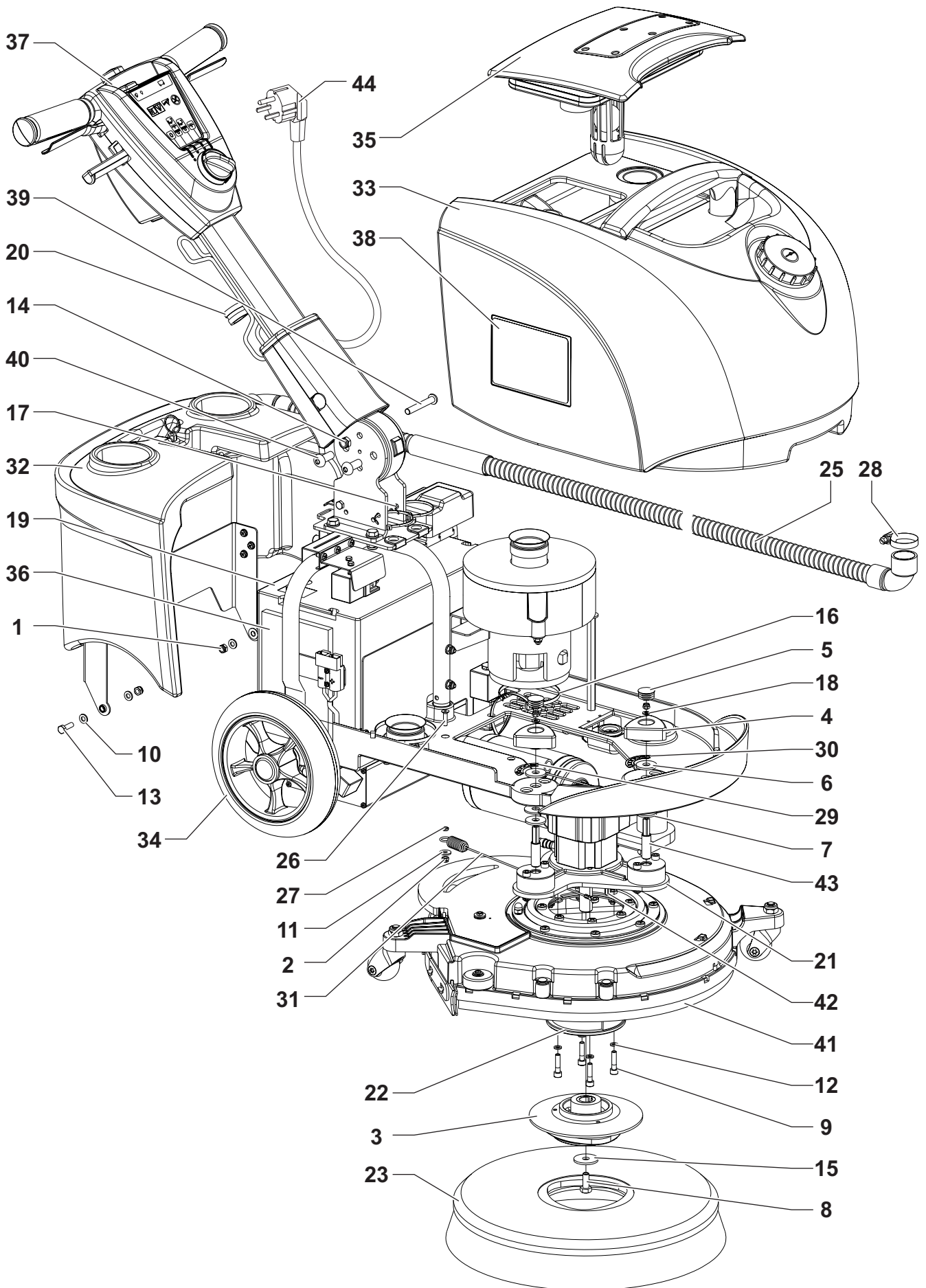
Parts List

[] = Not shown

* = optional

= Modified item No. or New item No.

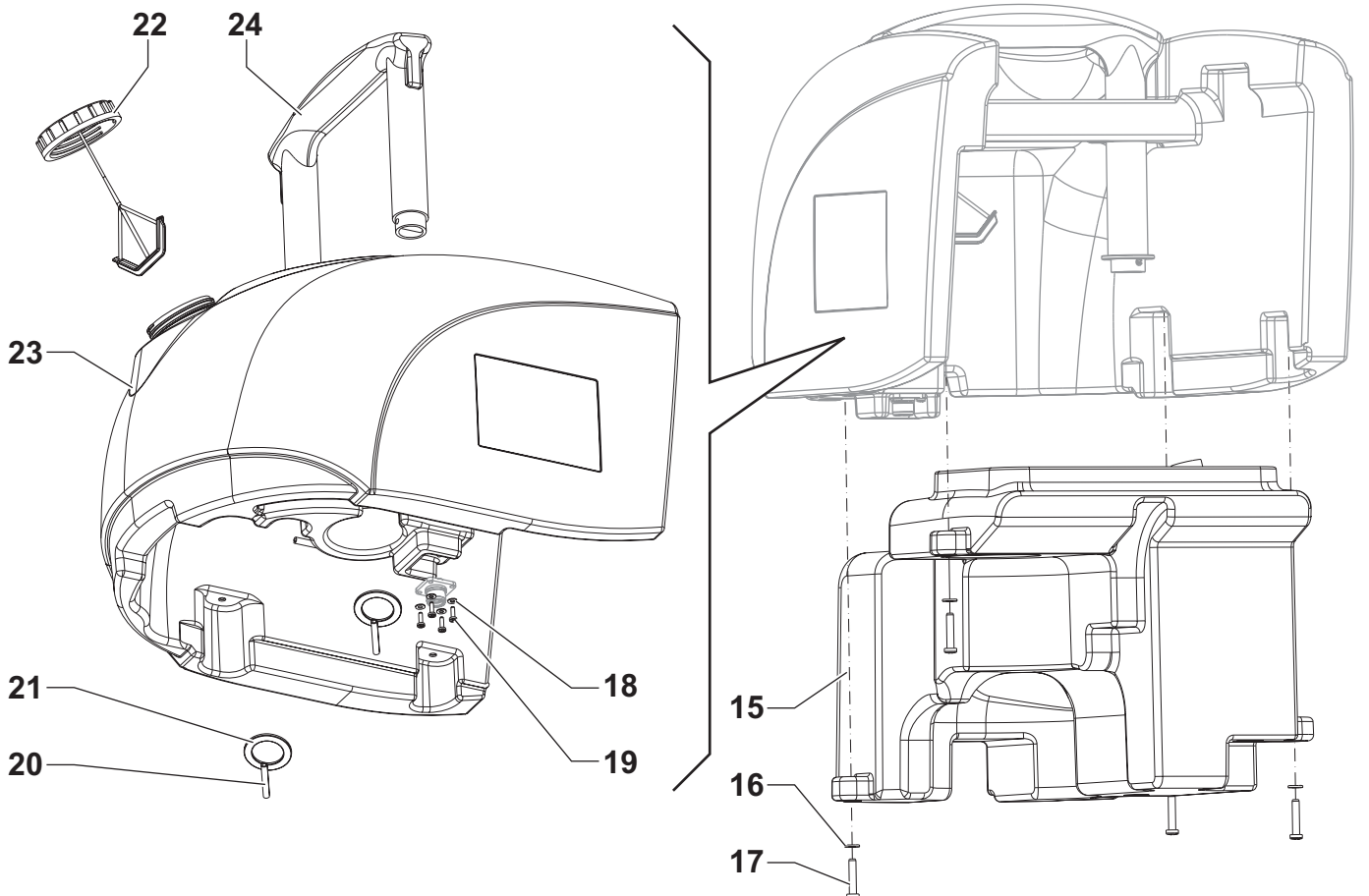
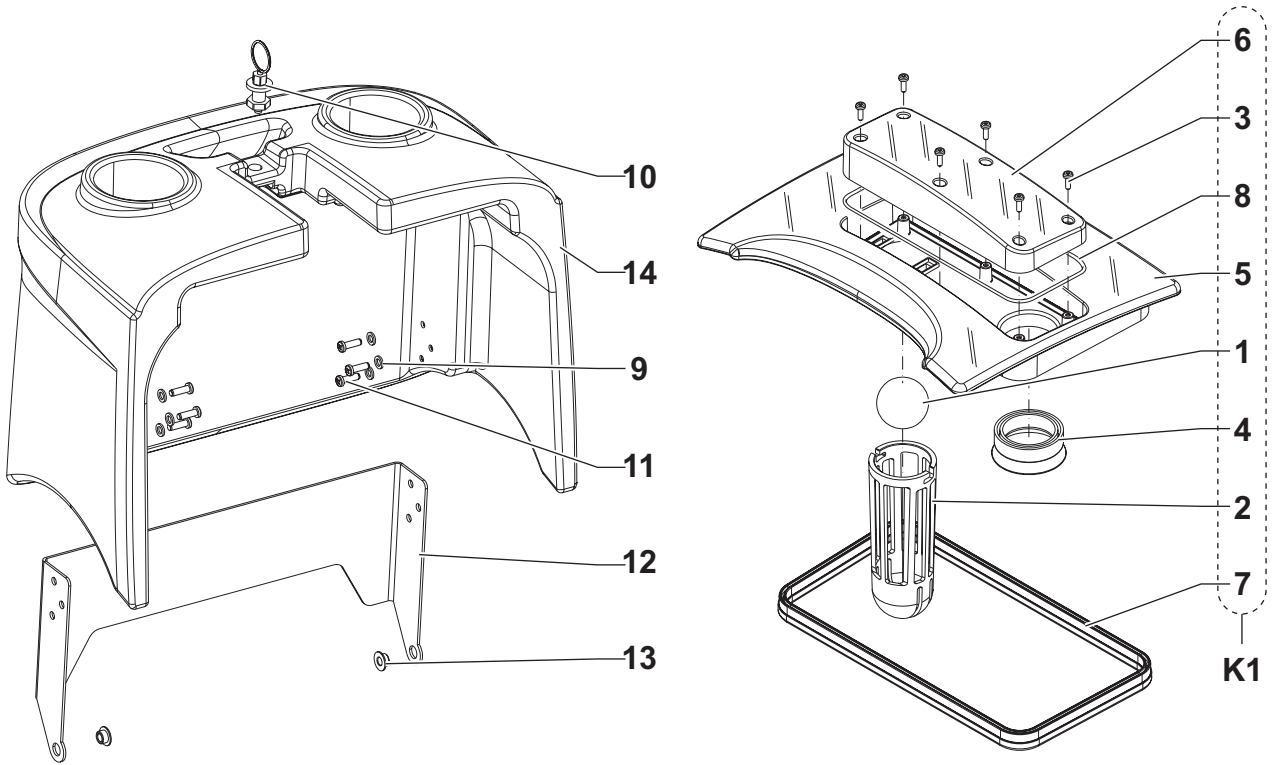
GENERAL VIEW



GENERAL VIEW

Kit	Ref.	Part No.	Description	Qty
K2	1		NUT, HEX NYL LOC THIN M6 SS	2
K2	2		NUT, HEX NYL LOC THIN M5 SS	3
	3	-	BRUSH HUB DX ASSY	1
	4	L08812203	KNOB	2
	5	L08812426	CAP	2
K2	6		WASHER, FLAT XL RUBBER	2
K2	7		WASHER, FLAT XL 9.5x27x2.5	4
K2	8		SCREW, HEX THD TO HD M8x20 SS	1
K2	9		VITI TCEI/SCR, SOC HD	4
K2	10		WASHER, FLAT 6,4x12,5 S.S.	4
K2	11		WASHER, FLAT XL 5,5x15 SS	1
K2	12		WASHER, EXT. SHPRF Ø 6 SS	4
K2	13		SCREW, HEX THD TO HD M6x20 SS	2
K2	14		NUT, HEX NYL LOC THIN M8 SS	1
K2	15		WASHER, FLAT XL SS	1
K2	16		TIE, CABLE 4,8X200	4
K2	17		TIE, CABLE 2,9X130	2
K2	18		WASHER, FLAT 5.3x10x1 SS	2
	19	1464853000	BATTERY DISCOVER 12V 84Ah (BAT)	1
K2	20		CLAMP, HOSE d.18	1
	21	-	BRUSH DECK SUPPORT ASSY	1
	22	9098394000	FLANGE	1
	23	9098529000	BRUSH PROLENE DIAM. 370 mm	1
	23*	9099006000	BRUSH D.370 PROLITE PPL	1
	23*	9099007000	BRUSH D.370 UNION MIX	1
	23*	9099008000	BRUSH D.370 MID GRIT 240	1
	23*	9099009000	BRUSH D.370 MIDLITE GRIT	1
	[24]*	9099010000	PAD HOLDER D.350MM	1
	[24]*	L00190797	PAD 14 355MM BROWN 5 PCS	1
	[24]*	L00190798	PAD 14 355MM RED 5 PCS	1
	[24]*	L00190799	PAD 14 355MM WHITE 5 PCS	1
	[24]*	L00306400	PAD 14 355MM GREEN 5 PCS	1
	25	9098589000	SQUEEGEE HOSE	1
K2	26		SCREW, FLAT SOCKET HEAD	1
K2	27		NUT, HEX THIN M5 SS	1
K2	28		CLAMP. HOSE 8/24-36 SS	2
K1	29		ADJUSTEMNT BRUSH DECAL	1
K1	30		REGULATION BALANCING MACHINE DECAL	1
	31	9099042000	DECK CABLE	2
	32	-	BATTERY COVER ASSY	1
	33	-	TANK BLU ALTO ASSY	1
	34	-	FRAME ASSY	1
	35	-	TANK COVER ASSY	1
	36	9099112000	PANEL BATTERY 110X170X10	1
	37	-	HANDLE BAR - ALTO VERSION ASSY	1
K1	38		DECAL, CLARKE VANTAGE 14	2
K2	39		SCREW, BUTTON SOC M8X55	1
K2	40		SCREW, BUTTON SOC M 10X25 SS	2
	41		COVER DECK CLARKE ASSY	1
	42	145 8024 000	KEY 5X5X25	1
	43	9098557000	PIN, BRUSH PLATE FIXING	2
	44	9096914000	CABLE EXTENSION US	1
	[K1]	9099306000	DECAL KIT VANTAGE 14	1
	[K2]	9099301000	GENERAL VIEW WH KIT	1

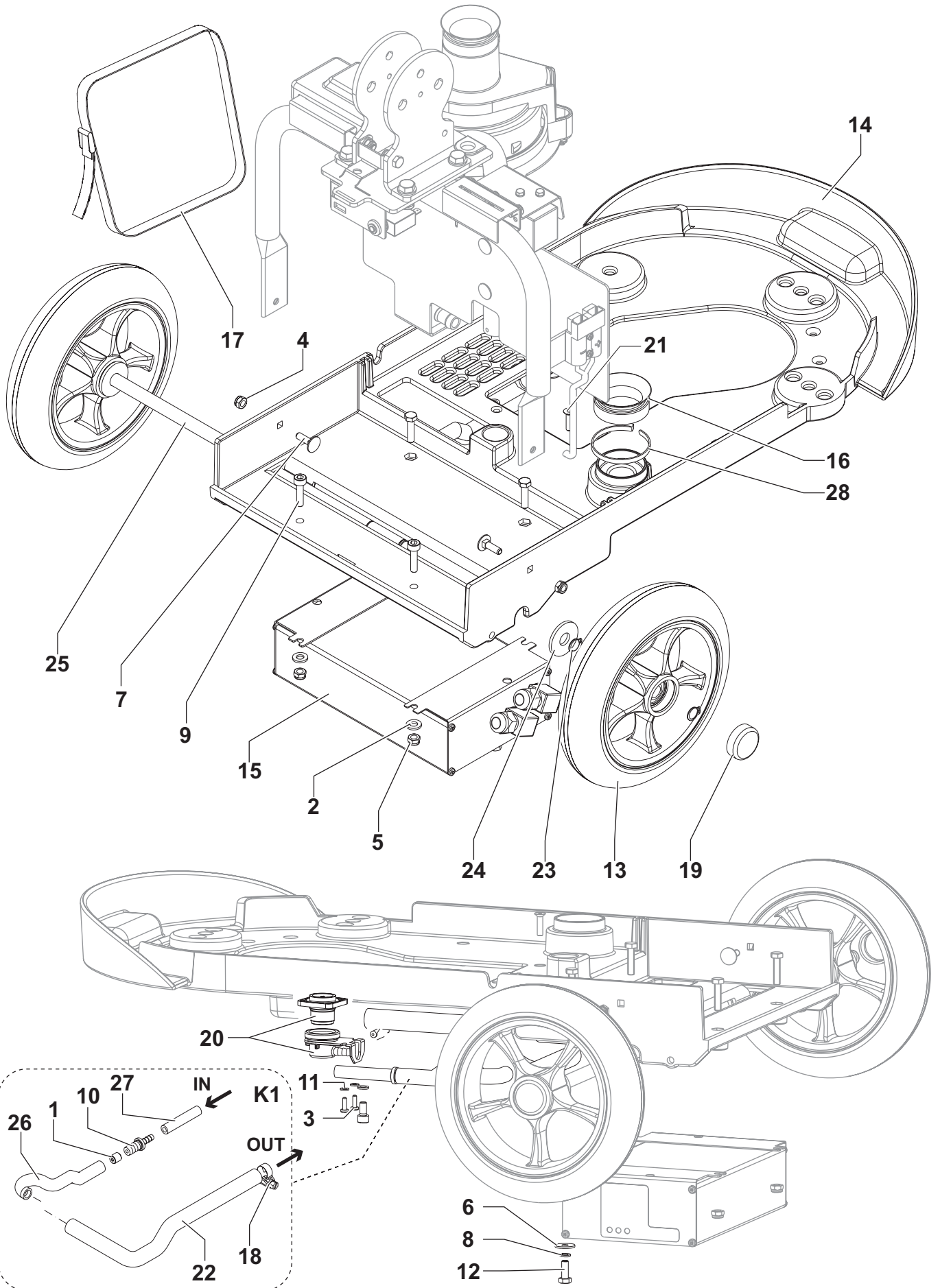
COVER AND TANKS



COVER AND TANKS

Kit	Ref.	Part No.	Description	Qty
K1	1		FLOAT, BALL	1
K1	2		CAGE FLOAT	1
K1	3		SCR,PAN PHIL THD FORM	6
K1	4	9098319000	GASKET	1
K1	5		COVER TANK	1
K1	6		CAP TANK COVER	1
K1	7	9099077000	GASKET	1
K1	8		GASKET MOUSSE D.4MM	1
K2	9		WASHER, EXT. SHPRF Ø 6 SS	6
	10	146 2449 000	JOINT	1
K2	11		THREAD ROLLING SCR 5X16	6
	12	9098309000	PLATE	1
K2	13		BUSH	2
	14	9099079000	BATTERY COVER	1
	15	9099088000	DIRTY WATER TANK	1
K2	16		WASHER, FLAT 6,4X12,5 S.S.	4
K2	17		THREAD ROLLING SCR 6X30	4
K2	18		WASHER, FLAT 4,3x9	4
K2	19		PAN HEAD SCREW (PLASTIC)	4
K2	20		PIN, SPRING 6x40	2
K2	21		SPACER 30X45X3 SS	2
	22	9099155000	CAP THREADED 70X5	1
	23	9099087000	FRESH WATER TANK	1
	24	9099089000	HANDLE TANK	1
	K1	9099302000	COVER KIT	1
	[K2]	9099303000	WH COVER AND TANKS KIT	1

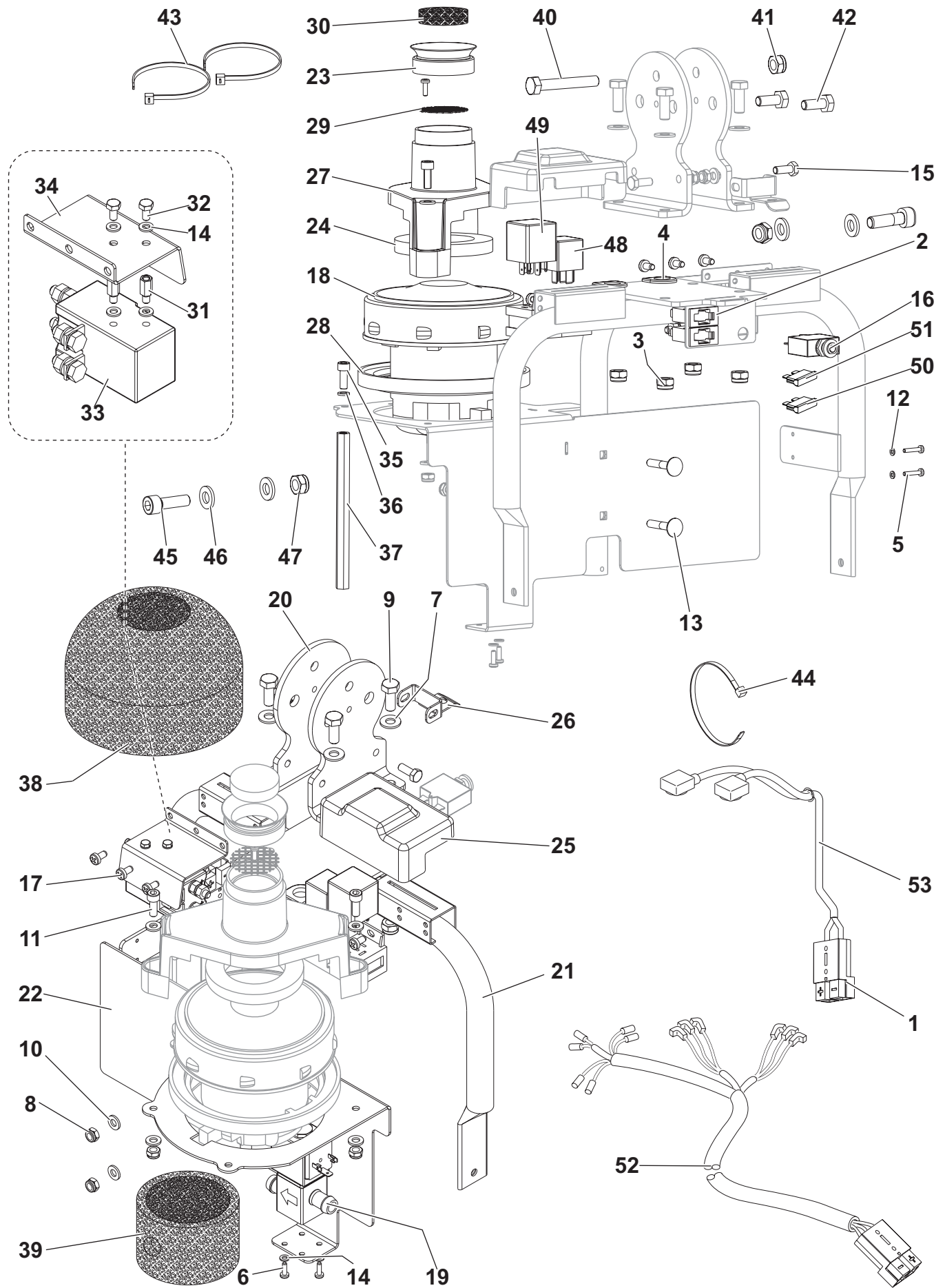
FRAME



FRAME

Kit	Ref.	Part No.	Description	Qty
K1	1		REDUCTION WATER	1
K2	2		WASHER 5X15 UNI6593 SS	4
K2	3		SCREW 3.5X10 THD FORMING	2
K2	4		NUT SELF L. M6 UNI7474 SS	3
K2	5		NUT SELFLOCKING LOW M5 UN	5
K2	6		WASHER 6X18 UNI6592	2
K2	7		SCREW M6X20 UNI5731	2
K2	8		WASHER	1
K2	9		SCREW M5X20 UNI5931 SS	4
K1	10		FITTING	1
K2	11		WASHER	2
K2	12		SCREW	2
	13	9098237000	WHEEL D.200MM	2
	14	9098144000	CHASSIS	1
	15	9098188000	CHARGER BATTERY 12V 12A (CH)	1
	16	9098319000	GASKET	1
	17	146 3054 000	BELT BATTERY FIXING	1
K1	18		CLAMP	1
	19	9098915000	TAPPO	2
	20	9098697000	VALVE WATER COMPLETE	1
K2	21		SCREW	1
K1	22		HOSE D.12 L=500 MM	1
K2	23		RING D 12 UNI7435	4
K2	24		WASHER 12.5X34X3 NYLON	2
	25	9098310000	PIN WHEEL	1
K1	26		HOSE D. 12	1
K1	27		PIPE 6X11	1
K2	28		CLAMP 290X4.8	1
	K1	9098992000	PIPES KIT	1
	[K2]	9098993000	HARDWARE FRAME KIT	1

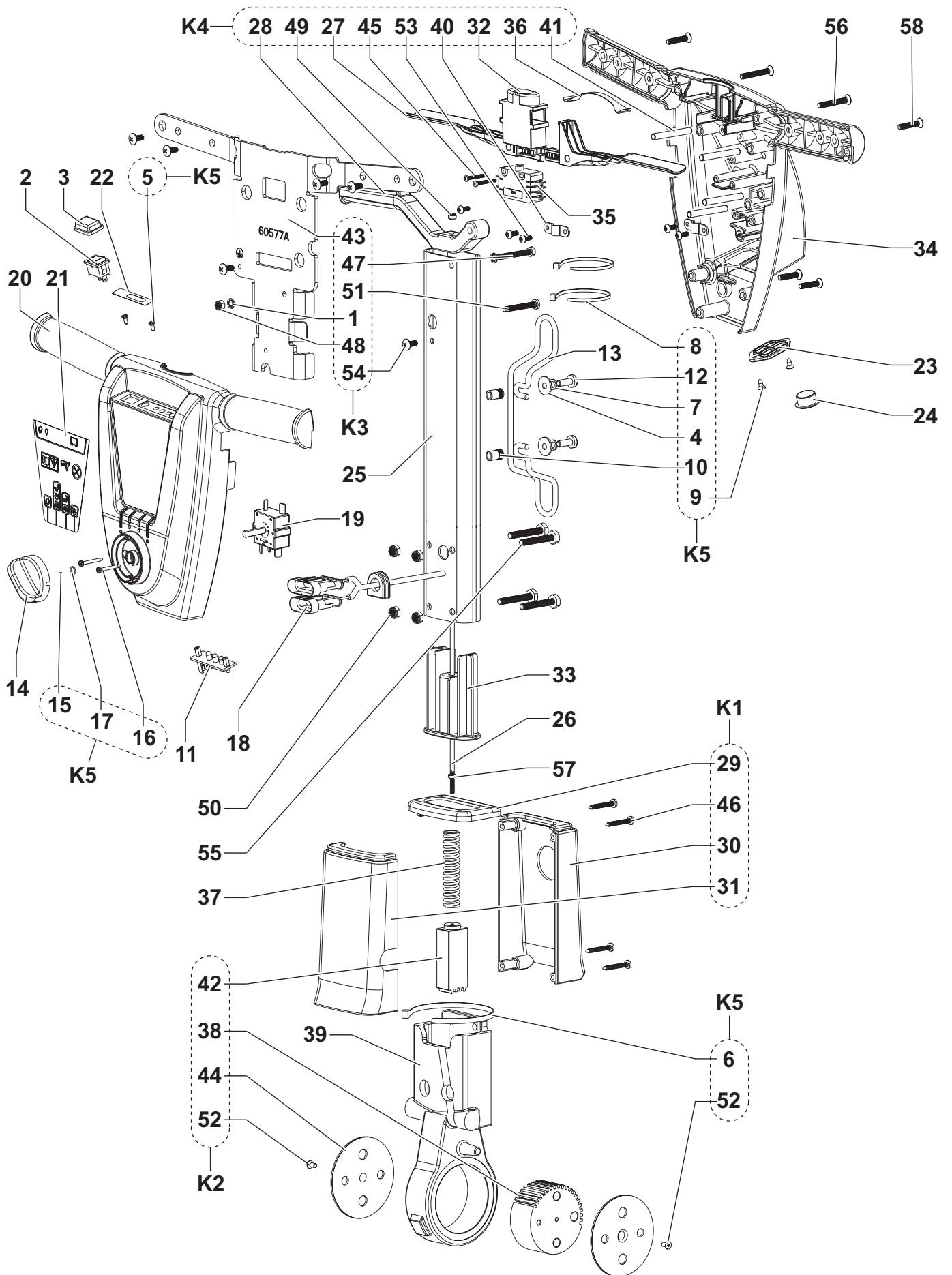
HANDLE SUPPORT



HANDLE SUPPORT

Kit	Ref.	Part No.	Description	Qty
	1	9098760000	CONNECTOR 50A GREY	2
	2	9098924000	FUSE HOLDER	2
K1	3		NUT SELFLOCKING LOW M8 UN	4
	4	909 6542 000	GROMMET	2
K1	5		SCREW M3X16 UNI7687	2
K1	6		SCREW 3.5X10 THD FORMING	3
K1	7		WASHER M8 UNI6592 SS	4
K1	8		NUT SELF L. M6 UNI7474 SS	6
K1	9		SCREW M8X20 UNI5739 SS	4
K1	10		WASHER M6 UNI6592 SS	8
K1	11		SCREW	2
K1	12		WASHER	2
K1	13		SCREW	2
K1	14		WASHER	6
K1	15		SCREW	2
	16	909 5706 000	BREAKER CIRCUIT 30A (F1)	1
K1	17		SCREW M5X10 DIN7500	5
	18	9098111000	MOTOR VACUUM 12V 200W (M2)	1
	19	9098112000	SOLENOID VALVE 12V (EV)	1
	20	9099073000	BRACKET HANDLE	2
	21	9098267000	SUPPORT HANDLE	1
	22	9098268000	SUPPORT VACUUM MOTOR	1
	23	9098319000	GASKET	1
	24	9098327000	GASKET VACUUM MOTOR	1
	25	9098365000	COVER RELAY	1
	26	9098482000	BRACKET PLUNGER BLOCK	1
	27	9099074000	COVER VACUUM MOTOR	1
	28	9098554000	GASKET VACUUM MOTOR	1
	29	9098654000	PROTECTION	1
	30	9098655000	FILTER VACUUM MOTOR	1
K1	31		SPACER M4 L10	2
K1	32		SCREW M4X 8 UNI5739 SS	2
	33	9098424000	SWITCH ELECTROMAGNETIC 12V 70A (ES1)	1
	34	9098560000	PLATE SUPPORT ELECTR.SWITCH	1
K1	35		SCREW M6X12 UNI5931 SS	2
K1	36		WASHER	3
	37	9098559000	SPACER SUPPORT VACUUM MOTOR	1
	38	9098656000	CASING VACUUM MOTOR	1
	39	9098925000	CASING LOWER VACUUM MOTOR	1
K1	40		SCREW M8X55 UNI5739	1
K1	41		NUT SELFLOCKING LOW M8 UN	1
K1	42		SCREW M10X25 UNI5739 SS	2
K1	43		CLAMP	2
K1	44		CLAMP	4
K1	45		SCREW SOCKET HD M6X16 SS	2
K1	46		WASHER M6 UNI6592 SS	4
K1	47		NUT SELF L. M6 UNI7474 SS	2
	48	9098441000	RELAY 12V (ES2)	1
	49	9098375000	TIMER CYCLICAL (T1)	1
	50	145 8513 000	FUSE BLADE 30A UL (F2)	1
	51	145 9852 000	FUSE 5A (F3)	1
	52	9098387000	HARNESS MACHINE	1
	53	9098849000	HARNESS BATTERY	1
	[K1]	9098994000	HARDWARE HANDLE BAR SUPP. KIT	1

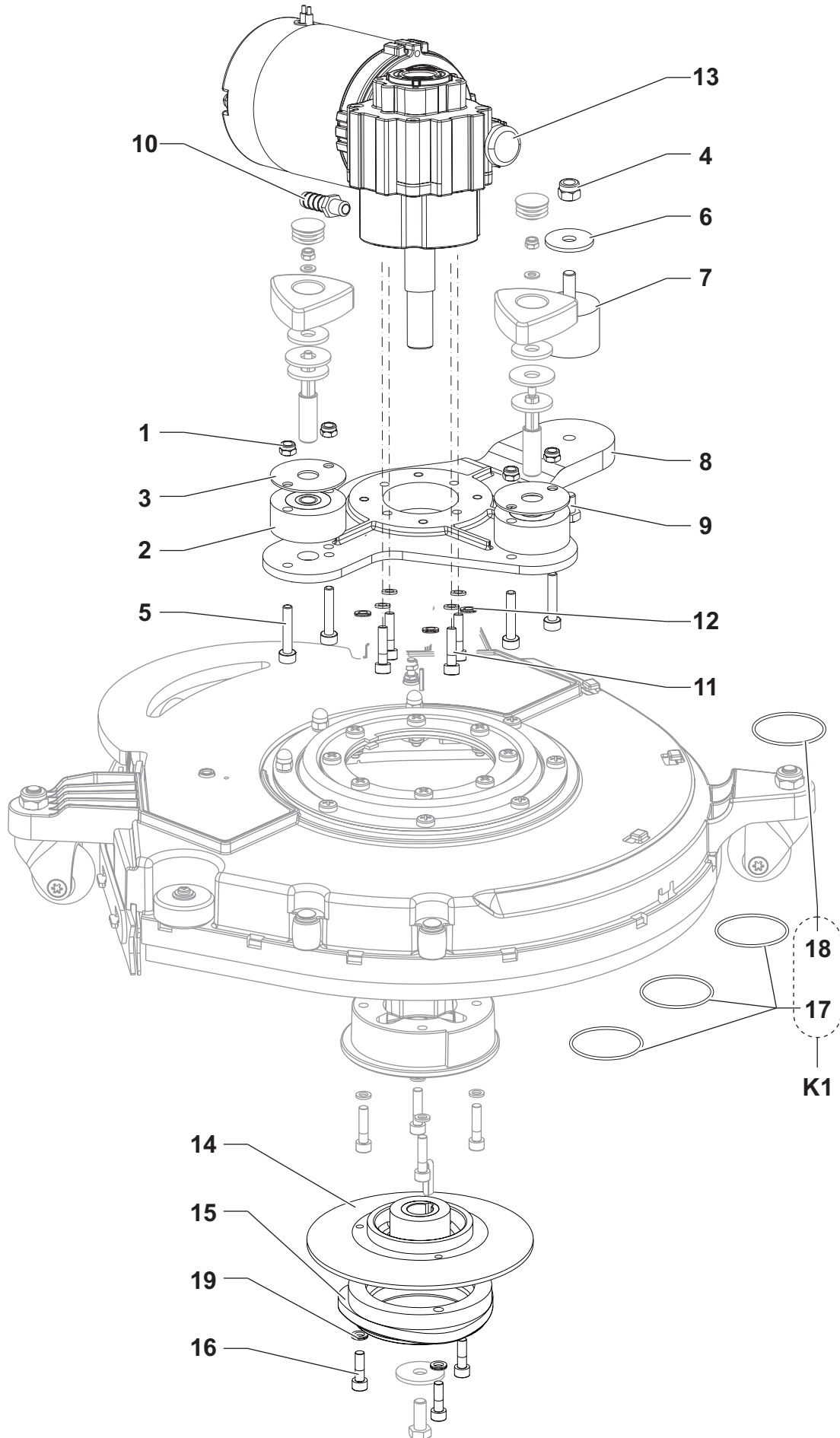
HANDLE BAR



HANDLE BAR

Kit	Ref.	Part No.	Description	Qty
K3	1		WASHER	3
	2	L08603153	SWITCH PUMP (SW3)	1
	3	L08603154	CAP PROTECTION	1
K5	4		WASHER 6X18X1.5 UNI6593	2
K5	5		SCREW M3X8 UNI7688	2
K5	6		CLAMP 290X4.8	1
K5	7		WASHER	2
K5	8		CLAMP	2
K5	9		SCREW 3.9X9.5 UNI6955	2
K5	10		INSERT M6X15 UNI9203	2
	11	146 3073 000	BOARD. LED (EB1)	1
K5	12		SCREW M6X16 UNI7687 SS	2
	13	909 5149 000	SUPPORT CABLE	1
	14	9097283000	KNOB CONTROL FUNCTIONS	1
K5	15		SCREW GRUB M3X3 DIN916	1
K5	16		SCREW 2.9X25 UNI6954 THD	2
K5	17		SEAL O-RING	1
	18	9098386000	HARNES HANDLE BAR	1
	19	9098405000	SWITCH ROTATIVE 4 POSITIONS (SW1)	1
	20	9099129000	COVER HANDLE FRONT	1
	21	9099242000	DECAL CONTROL PANEL	1
	22	9098616000	DECAL BATTERY LED	1
	23	9098812000	CAP FOR HANDLE	1
	24	9098813000	CAP D.18.5/D.40MM BLACK	1
	25	9098835000	TUBE HANDLE	1
	26	9098836000	ROD INDEX	1
K4	27		LEVER SWITCH	2
K4	28		LEVER	1
K1	29		CAP RUBBER	1
K1	30		COVER REAR	1
K1	31		COVER FRONT	1
K4	32		BUTTON INTERLOCK	1
	33	VF47033	RETAINER	1
	34	30834A	REAR COVER HANDLE	1
	35	40263A	SWITCH DPDT (SW2)	1
K4	36		SPRING INTERLOCK BUTTON	1
	37	VF47007	SPRING COMPRESSION	1
K2	38		GEAR	1
	39	60408A	HOUSING GEAR INDEX	1
K4	40		CLAMP CORD	1
K4	41		PIN HANDLE SUPPORT	4
K2	42		GEAR INDEX	1
K3	43		HANDLE SUPPORT	1
K2	44		PLATE, GEAR HOUSING	2
K4	45		SCREW M3X25	2
K1	46		SCREW ST4.2-1.4	4
K3	47		SCREW M5X43	1
K3	48		NUT LOCK M5 SS HEX	1
K4	49		NUT LOCK M4 SS HEX	1
	50	VF14506	NUT LOCK M6 SS HEX	4
K3	51		SCREW M5X40 SS PAN HEAD PHILLIPS	1
K2-K5	52		SCREW M4X8 UNI7688	2
K4	53		SCREW M4X10 SS PAN HEAD PHILLIPS	3
K3	54		SCREW M5X12 TRUSS HEAD PHILLIPS	6
	55	GT13019	SCREW M6X40 SS HEX HEAD	4
	56	80398A	SCREW M5x35 SS HEAD PHILLIPS	2
	57	80402A	NUT LOCK M6 SS HEX	1
	58	80407A	SCREW M5X25 SS FLAT HEAD PHILLIPS	4
	K1	11271A	LOWER COVER KIT	1
	K2	56381560	BOX HOUSING GEARS KIT	1
	K3	11273A	HANDLE SUPPORT KIT	1
	K4	11274A	HANDLE SWITCH LEVER KIT	1
	K5	9098995000	HARDWARE HANDLE BAR KIT	1

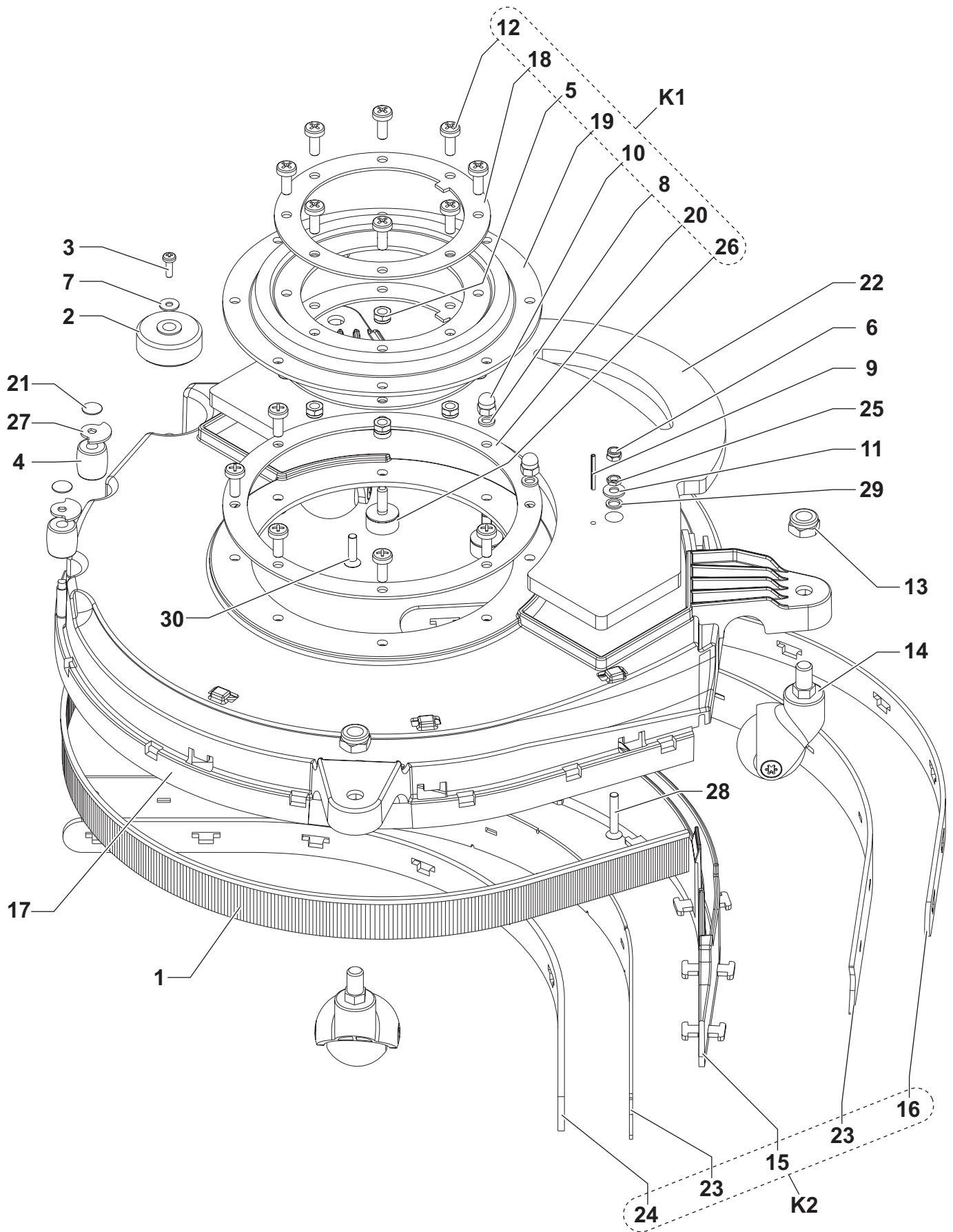
BRUSH DECK



BRUSH DECK

Kit	Ref.	Part No.	Description	Qty
K2	1		NUT SELF L. M6 UNI7474 SS	4
	2	L08812213	BUFFER	2
	3	L08812779	PLATE.VIBRATION DAMPING	2
K2	4		NUT SELF L. M8 UNI7473	1
K2	5		SCREW M6X35 UNI5931 SS	4
K2	6		WASHER	1
	7	9097184000	VIBRATION DAMPING M8 60SH	1
	8	9098083000	SUPPORT BRUSH DECK	1
K2	9		SCREW M8X12 UNI5739 SS	1
	10	L08601624	HOLDER RUBBER 1/4 D.10	1
K2	11		SCREW M6X25 UNI5931 SS	8
K2	12		WASHER	4
	13	9097976000	REDUCTION GEARMOTOR 12V (M1)	1
	14	L08812306	HUB.BRUSH R.GEARMOTOR	1
	15	L08812480	HUB.BRUSH	1
K2	16		SCREW M6X20 UNI5931 SS	3
K1	17		SPRING RING DIAM. 50	3
K1	18		SPRING RING DIAM. 78	1
K2	19		WASHER NORD LOCK M6	3
	K1	9098991000	RINGS SPRING KIT	1
	[K2]	9098996000	HARDWARE DECK KIT	1

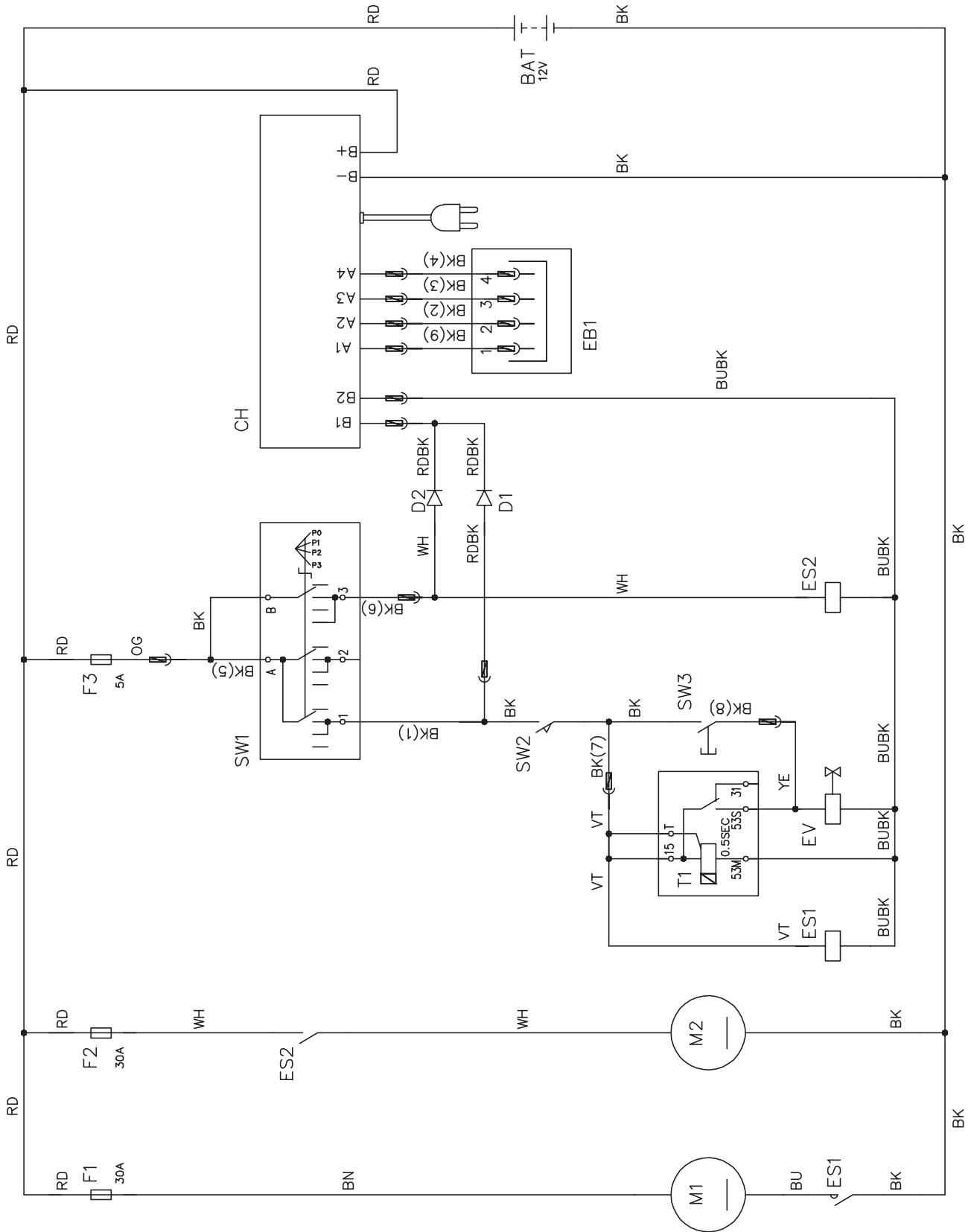
BRUSH DECK



BRUSH DECK

Kit	Ref.	Part No.	Description	Qty
	1	9098475000	BRUSH LINEAR	1
	2	L08603027	ROLLER BUMPER	1
K3	3		SCREW 3.9X13 UNI6954	1
	4	L08603402	ROLLER	2
K1	5		NUT HEX SELFLOCK M6 SS	13
K3	6		NUT SELF L. M5 UNI7474	1
K3	7		WASHER 4X12 UNI6592 SS	1
K1	8		WASHER	3
K3	9		PIN	1
K1	10		NUT M10X1.5 UNI7473	3
K3	11		WASHER 5X15 UNI6593 SS	2
K1	12		SCREW M6X16 UNI7687 SS	13
K3	13		NUT SELF L. M10 UNI7474	3
	14	9099163000	WHEEL CASTOR D.42	3
K2	15		SQUEEGEE BODY 455MM/18	1
K2	16		STRAP REAR SQUEEGEE 455MM	1
	17	9099160000	COVER BRUSH DECK BLACK	1
K1	18		FLANGE 132X100X2	2
K1	19		COUPLING RUBBER DECK	1
K1	20		FLANGE 195X165X2	1
	21	9098473000	COVER PIN	2
	22	9098477000	COUNTERWEIGHT	1
K2	23	9099027000	BLADES SQUEEGEE KIT	1
K2	24		STRAP FRONT SQUEEGEE 455	1
K3	25		NUT HEX M5 UNI5589 SS	2
K1	26		VIBRATION DAMPING M6 D.20X10	3
	27	9098633000	PLATE BUMPER FIX	2
K3	28		SCREW M5X30 UNI5933 SS	1
K3	29		WASHER M10 UNI8842A SS	2
K3	30		SCREW M5X20 UNI5933 SS	1
	K1	9098997000	COUPLING DECK KIT	1
	K2	9098998000	SQUEEGEE KIT	1
	[K3]	9098999000	HARDWARE COVER DECK KIT	1

WIRING DIAGRAM



WIRING DIAGRAM

Key.	Part No.	Description
BAT	1464853000	BATTERY DISCOVER 12V 84Ah
CH	9098188000	BATTERY CHARGER
D1	-	DIODE
D2	-	DIODE
EB1	146 3073 000	BATTERY CHARGER LEVEL BOARD
ES1	9098424000	BRUSH MOTOR CONTACTOR
ES2	9098441000	VACUUM MOTOR RELEAY
EV	9098112000	DETERGENT SOLENOID VALVE
F1	909 5706 000	BRUSH CIRCUIT BREAKER
F2	145 8513 000	VACUUM FUSE (30 A)
F3	145 9852 000	ROTATIVE SWITCH FUSE (5 A)
M1	9097976000	BRUSH MOTOR
M2	9098111000	VACUUM MOTOR
SW1	9098405000	ROTATIVE SWITCH
SW2	40263A	SWITCH M1-EV
SW3	L08603153	DETERGENT SWITCH
T1	9098375000	SOLENOID VALVE TIMER

BK	BLACK	BLACK
BU	LIGHT BLUE	LIGHT BLUE
BN	BROWN	BROWN
GN	GREEN	GREEN
GY	GREY	GREY
OG	ORANGE	ORANGE
PK	PINK	PINK
RD	RED	RED
VT	VIOLET	VIOLET
WH	WHITE	WHITE
YE	YELLOW	YELLOW

RECOMMENDED SPARE PARTS

Ref. No.	DESCRIPTION	QTY
	NORMAL WEAR	
9099027000	BLADE SQUEEGEE KIT	1
	ORDINARY MAINTENANCE	
9099077000	GASKET TANK COVER KIT	1
9098319000	GASKET	2
9098111000	MOTOR VACUUM 12V 200W (M2)	3
9098327000	GASKET VACUUM MOTOR	1
9098655000	FILTER VACUUM MOTOR	1
9097976000	REDUCTION GEARMOTOR 12V (M1)	1
L08812480	HUB.BRUSH	1
9098589000	HOSE SQUEEGEE	1
9099163000	WHEEL CASTOR D.42	3
9098997000	COUPLING DECK KIT	1
9098998000	SQUEEGEE KIT	1
	EXTRA-ORDINARY MAINTENANCE	
9098237000	WHEEL D.200MM	2
9098188000	CHARGER BATTERY 12V 12A (CH)	1
9098697000	VALVE WATER COMPLETE	1
9098992000	PIPES KIT	1
9098760000	CONNECTOR 50A GREY	2
909 5706 000	BREAKER CIRCUIT 30A (F1)	1
9098112000	SOLENOID VALVE 12V (EV)	1
9098424000	SWITCH ELECTROMAGNETIC 12V 70A (ES1)	1
9098441000	RELAY 12V (ES2)	1
9098375000	TIMER CYCLICAL (T1)	1
145 8513 000	FUSE BLADE 30A UL (F2)	1
145 9852 000	FUSE 5A (F3)	1
9098405000	SWITCH ROTATIVE 4 POSITIONS (SW1)	1
40263A	SWITCH DPDT (SW2)	1
	OPTIONALS	
9099006000	BRUSH D.370 PROLITE PPL	1
9099007000	BRUSH D.370 UNION MIX	1
9099008000	BRUSH D.370 MID GRIT	1
9099009000	BRUSH D.370 MIDLITE GRIT	1
9099010000	PAD HOLDER	1
L00190797	PAD 14 355MM BROWN 5 PCS	1
L00190798	PAD 14 355MM RED 5 PCS	1
L00190799	PAD 14 355MM WHITE 5 PCS	1
L00306400	PAD 14 355MM GREEN 5 PCS	1

Clarke[®]

14600 21st Avenue North
Plymouth, MN 55447-3408

www.clarkeus.com

Phone: 800-253-0367

Fax: 800-825-2753

©2011 Nilfisk-Advance, Inc.