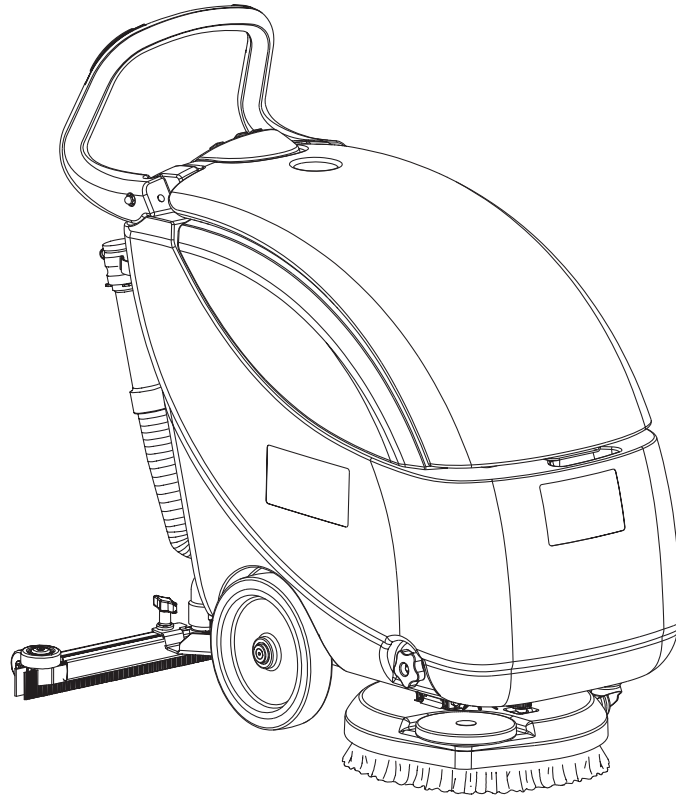
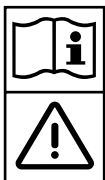


Clarke®

Vantage 17 B



Instructions For Use - Original Instructions / Instrucciones de uso / Mode d'emploi
Model: 9087314020



READ THIS BOOK

LEA ESTE MANUAL

LISEZ CE MANUEL

EN English (1 - 24)

ES Español (25 - 48)

FR Français (49 - 72)

This book has important information for the use and safe operation of this machine. Failure to read this book prior to operating or attempting any service or maintenance procedure to your Clarke machine could result in injury to you or to other personnel; damage to the machine or to other property could occur as well. You must have training in the operation of this machine before using it. If your operator(s) cannot read this manual, have it explained fully before attempting to operate this machine.

All directions given in this book are as seen from the operator's position at the rear of the machine.

TABLE OF CONTENTS

INTRODUCTION	2
MANUAL PURPOSE AND CONTENTS	2
TARGET	2
HOW TO KEEP THIS MANUAL	2
IDENTIFICATION DATA	2
OTHER REFERENCE MANUALS	2
SPARE PARTS AND MAINTENANCE	2
CHANGES AND IMPROVEMENTS	2
OPERATION CAPABILITIES	2
CONVENTIONS	2
UNPACKING/DELIVERY	3
SAFETY	3
VISIBLE SYMBOLS ON THE MACHINE	3
SYMBOLS THAT APPEAR ON THIS MANUAL	4
GENERAL INSTRUCTIONS	4
MACHINE DESCRIPTION	6
MACHINE STRUCTURE	6
HANDLEBAR AND CONTROL PANEL	8
ACCESSORIES/OPTIONS	9
TECHNICAL DATA	9
WIRING DIAGRAM	10
USE	11
BATTERY CHECK/SETTING ON A NEW MACHINE	11
BATTERY TYPE SETTING (WET OR GEL/AGM)	12
BEFORE MACHINE START-UP	13
MACHINE START AND STOP	14
MACHINE OPERATION (SCRUBBING/DRYING)	15
MACHINE TRANSPORT/PARKING	16
TANK EMPTYING	16
AFTER USING THE MACHINE	17
RECOVERY TANK REMOVAL	17
MACHINE LONG INACTIVITY	17
FIRST PERIOD OF USE	17
MAINTENANCE	18
SCHEDULED MAINTENANCE TABLE	18
SQUEEGEE CLEANING	19
SQUEEGEE BLADE CHECK AND REPLACEMENT	19
BRUSH CLEANING	20
TANK AND VACUUM GRID CLEANING	20
SOLUTION FILTER CLEANING	21
MACHINE SPEED ADJUSTMENT	21
BATTERY CHARGING	22
FUSE CHECK/REPLACEMENT	23
TROUBLESHOOTING	24
SCRAPPING	24
PARTS LIST	73

INTRODUCTION



NOTE

The numbers in brackets refer to the components shown in Machine Description chapter.

MANUAL PURPOSE AND CONTENTS

The purpose of this Manual is to provide the operator with all necessary information to use the machine properly, in a safe and autonomous way. It contains information about technical data, safety, operation, storage, maintenance, spare parts and disposal. Before performing any procedure on the machine, the operators and qualified technicians must read this Manual carefully. Contact Clarke in case of doubts concerning the interpretation of the instructions and for any further information.

TARGET

This Manual is intended for operators and technicians qualified to perform the machine maintenance.

The operators must not perform procedures reserved for qualified technicians. Clarke will not be answerable for damages coming from the non-observance of this prohibition.

HOW TO KEEP THIS MANUAL

The User Manual must be kept near the machine, inside an adequate case, away from liquids and other substances that can cause damage to it.

IDENTIFICATION DATA

The machine model and serial number are marked on the plate (1).

Product code and year of production are marked on the same plate.

This information is useful when requiring machine spare parts. Use the following table to write down the machine identification data.

MACHINE model
PRODUCT code
MACHINE serial number

OTHER REFERENCE MANUALS

- Electronic battery charger Manual, to be considered as integral part of this Manual
- Spare Parts List (supplied with the machine)
- Service Manual (that can be consulted at Clarke Service Centers)

SPARE PARTS AND MAINTENANCE

All necessary operating, maintenance and repair procedures must be performed by qualified personnel or by Clarke Service Centers. Only original spare parts and accessories must be used.

Contact Clarke for service or to order spare parts and accessories, specifying the machine model, product code and serial number.

CHANGES AND IMPROVEMENTS

Clarke constantly improves its products and reserves the right to make changes and improvements at its discretion without being obliged to apply such benefits to the machines that were previously sold.

Any change and/or addition of accessories must be approved and performed by Clarke.

OPERATION CAPABILITIES

These scrubber-dryers are used to clean (scrubbing and drying) smooth and solid floors, in civil or industrial environment, under safe operation conditions by a qualified operator.

The scrubber-dryers cannot be used for fitted carpet and carpet cleaning.

CONVENTIONS

Forward, backward, front, rear, left or right are intended with reference to the operator's position, that is to say in driving position with the hands on the handlebar (2).

UNPACKING/DELIVERY

To unpack the machine, carefully follow the instructions on the packing.

When the machine is delivered, check that the packing and the machine were not damaged during transportation.

In case of visible damages, keep the packing and have it checked by the carrier that delivered it. Call the carrier immediately to fill in a damage claim.

Please check that the following items have been supplied with the machine:

- Technical documents:
 - Scrubber-dryer User Manual
 - Battery Charger Manual
 - Scrubber-dryer Spare Parts List
- No. 1 40 A lamellar fuse



WARNING!

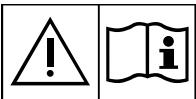
The Products sold with this Manual contain or may contain chemicals that are known to certain governments (such as the State of California, as identified in its Proposition 65 Regulatory Warning Law) to cause cancer, birth defects or other reproductive harm. In certain locations (including the State of California) purchasers of these Products that place them in service at an employment job site or a publicly accessible space are required by regulation to make certain notices, warnings or disclosures regarding the chemicals that are or may be contained in the Products at or about such work sites. It is the purchaser's responsibility to know the content of, and to comply with, any laws and regulations relating to the use of these Products in such environments. The Manufacturer disclaims any responsibility to advise purchasers of any specific requirements that may be applicable to the use of the Products in such environments.

SAFETY

The following symbols indicate potentially dangerous situations. Always read this information carefully and take all necessary precautions to safeguard people and property.

The operator's cooperation is essential in order to prevent injury. No accident prevention program is effective without the total cooperation of the person responsible for the machine operation. Most of the accidents that may occur in a factory, while working or moving around, are caused by failure to comply with the simplest rules for exercising prudence. A careful and prudent operator is the best guarantee against accidents and is essential for successful completion of any prevention program.

VISIBLE SYMBOLS ON THE MACHINE



WARNING!

Carefully read all the instructions before performing any operation on the machine.



WARNING!

Do not wash the machine with direct or pressurized water jets.



WARNING!

Do not use the machine on slopes with a gradient exceeding the specifications.

SYMBOLS THAT APPEAR ON THIS MANUAL



DANGER!

It indicates a dangerous situation with risk of death for the operator.



WARNING!

It indicates a potential risk of injury for people.



CAUTION!

It indicates a caution or a remark related to important or useful functions. Pay careful attention to the paragraphs marked by this symbol.



NOTE

It indicates a remark related to important or useful functions.



CONSULTATION

It indicates the necessity to refer to the User Manual before performing any procedure.

GENERAL INSTRUCTIONS

Specific warnings and cautions to inform about potential damages to people and machine are shown below.



DANGER!

- *Before performing any cleaning, maintenance, repair or replacement procedure, turn the switches to “0” and disconnect the battery connector.*
- *This machine must be used by properly trained operators only.*
- *Do not wear jewels when working near electrical components.*
- *Do not work under the lifted machine without supporting it with safety stands.*
- *Do not operate the machine near toxic, dangerous, flammable and/or explosive powders, liquids or vapors: This machine is not suitable for collecting dangerous powders.*
- *When using lead (WET) batteries, keep sparks, flames and smoking materials away from the batteries. During the normal operation explosive gases are released.*
- *When using lead (WET) batteries, battery charging produces highly explosive hydrogen gas. During battery charging, remove the recovery tank and perform this procedure in well-ventilated areas and away from naked flames.*



WARNING!

- *Carefully read all the instructions before performing any maintenance/repair procedure.*
- *Before using the battery charger, ensure that frequency and voltage values, indicated on the machine serial number plate, match the electrical mains voltage.*
- *Do not pull or carry the machine by the battery charger cable and never use the battery charger cable as a handle. Do not close a door on the battery charger cable, or pull the battery charger cable around sharp edges or corners. Do not run the machine on the battery charger cable.*
- *Keep the battery charger cable away from heated surfaces.*
- *Do not charge the batteries if the battery charger cable or the plug are damaged. If the machine is not working as it should, has been damaged, left outdoors or dropped into water, return it to the Service Center.*
- *To reduce the risk of fire, electric shock, or injury, do not leave the machine unattended when it is plugged in. Before performing any maintenance procedure, disconnect the battery charger cable from the electrical mains.*
- *Do not smoke while charging the batteries.*
- *Always protect the machine against the sun, rain and bad weather, both under operation and inactivity condition. Store the machine indoors, in a dry place: This machine must be used in dry conditions, it must not be used or kept outdoors in wet conditions.*
- *Before using the machine, close all doors and/or covers as shown in the User Manual.*
- *This machine is not intended for use by persons (including children) with reduced physical, sensory or mental capabilities, or lack of experience and knowledge, unless they have been given supervision or instruction concerning use of the machine by a person responsible for their safety. Children should be supervised to ensure that they do not play with the machine.*
- *Close attention is necessary when used near children.*

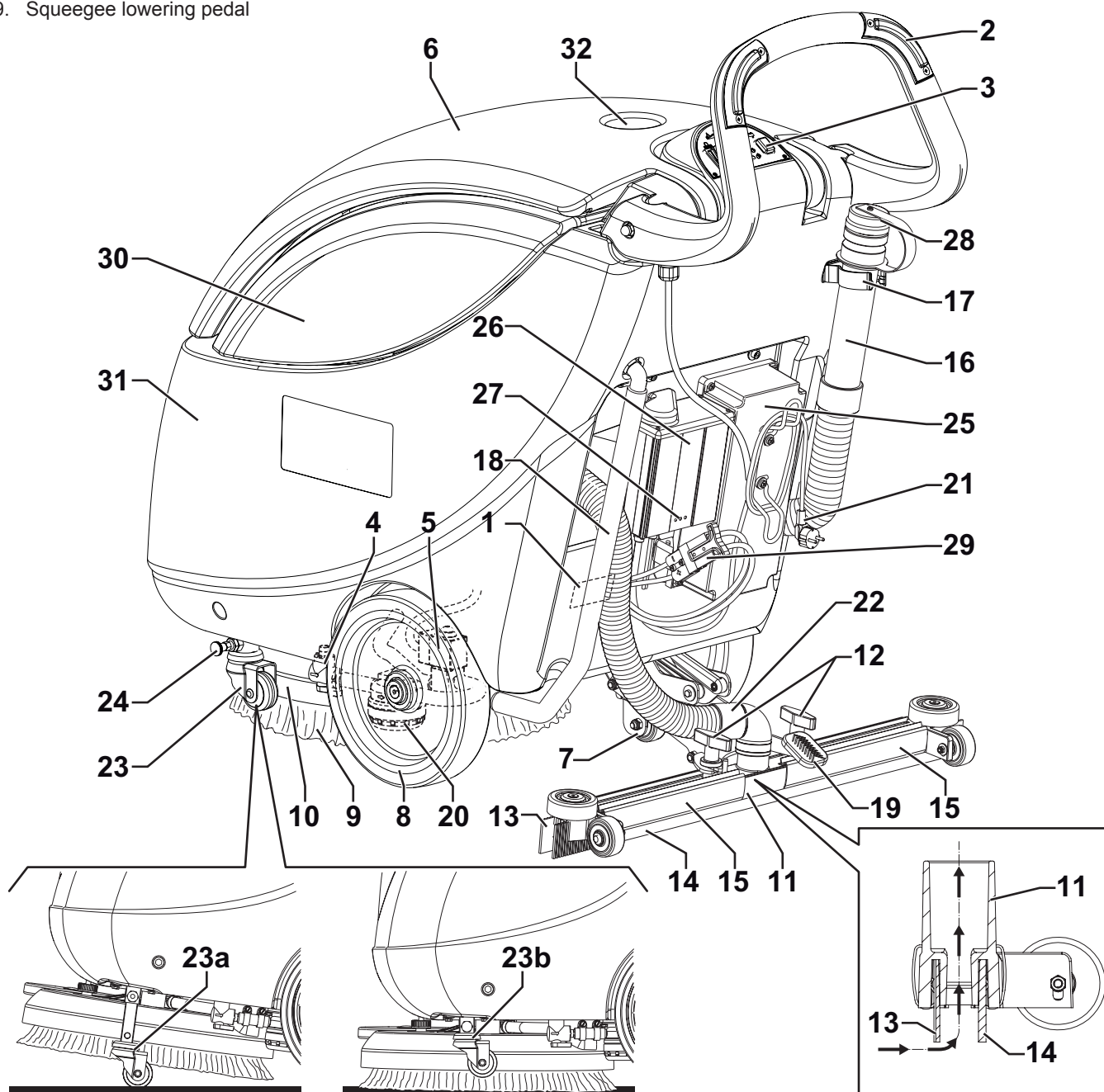
**WARNING!**

- *Use only as shown in this Manual. Only Clarke recommended accessories must be used.*
- *Check the machine carefully before each use, always check that all the components have been assembled before use. If the machine is not perfectly assembled it can cause damages to people and properties.*
- *Take all necessary precautions to prevent hair, jewels and loose clothes from being caught by the machine moving parts.*
- *Do not use the machine on slopes with a gradient exceeding the specifications.*
- *Do not use the machine on incline.*
- *Do not tilt the machine more than the angle indicated on the machine itself, in order to prevent instability.*
- *Do not use the machine in particularly dusty areas.*
- *Use the machine only where a proper lighting is provided.*
- *While using this machine, take care not to cause damage to people or objects.*
- *Do not bump into shelves or scaffoldings, especially where there is a risk of falling objects.*
- *Do not lean liquid containers on the machine, use the relevant can holder.*
- *The machine operating temperature must be between +32°F and +104°F (0°C and +40°C).*
- *The machine storage temperature must be between +32°F and +104°F (0°C and +40°C).*
- *The humidity must be between 30% and 95%.*
- *When using floor cleaning detergents, follow the instructions on the labels of the detergent bottles.*
- *To handle floor cleaning detergents, wear suitable gloves and protections.*
- *Do not use the machine as a means of transport.*
- *Do not allow the brush/pad to operate while the machine is stationary to avoid damaging the floor.*
- *In case of fire, use a powder fire extinguisher, not a water one.*
- *Do not tamper with the machine safety guards and follow the ordinary maintenance instructions scrupulously.*
- *Do not allow any object to enter into the openings. Do not use the machine if the openings are clogged. Always keep the openings free from dust, hairs and any other foreign material which could reduce the air flow.*
- *Do not remove or modify the plates affixed to the machine.*
- *This machine cannot be used on roads or public streets.*
- *Pay attention during machine transportation when temperature is below freezing point. The water in the recovery tank or in the hoses could freeze and seriously damage the machine.*
- *Use brushes and pads supplied with the machine or those specified in the User Manual. Using other brushes or pads could reduce safety.*
- *In case of machine malfunctions, ensure that these are not due to lack of maintenance. If necessary, request assistance from the authorised personnel or from an authorised Service Center.*
- *If parts must be replaced, require ORIGINAL spare parts from an Authorised Dealer or Retailer.*
- *To ensure machine proper and safe operation, the scheduled maintenance shown in the relevant chapter of this Manual, must be performed by the authorised personnel or by an authorised Service Center.*
- *Do not wash the machine with direct or pressurised water jets, or with corrosive substances.*
- *The machine must be disposed of properly, because of the presence of toxic-harmful materials (batteries, etc.), which are subject to standards that require disposal in special centres (see Scrapping chapter).*

MACHINE DESCRIPTION

MACHINE STRUCTURE

- | | |
|--|---|
| 1. Serial number plate/technical data/conformity certification | 20. Solution filter |
| 2. Handlebar | 21. Battery charger cable |
| 3. Control panel | 22. Squeegee vacuum hose |
| 4. Solution flow opening/closing valve | 23. Transport/parking wheel |
| 5. Solution solenoid valve | 23a. Transport/parking wheel (engaged) |
| 6. Recovery tank cover | 23b. Transport/parking wheel (disengaged) |
| 7. Rear wheel to support the lifted squeegee | 24. Transport/parking wheel positioning pin |
| 8. Central wheels on fixed axle | 25. Electrical component box |
| 9. Brush/pad | 26. Battery charger |
| 10. Brush/pad-holder deck | 27. Battery charger warning lights |
| 11. Squeegee | 28. Recovery water drain plug |
| 12. Squeegee mounting handwheels | 29. Battery connector (red). This connector also works as EMERGENCY push-button, to stop immediately all functions. |
| 13. Front squeegee blade | 30. Recovery tank |
| 14. Rear squeegee blade | 31. Solution tank |
| 15. Squeegee blade mounting springs | 32. Can holder |
| 16. Recovery water drain hose | |
| 17. Recovery water drain hose bracket | |
| 18. Solution drain hose with level check marks | |
| 19. Squeegee lowering pedal | |

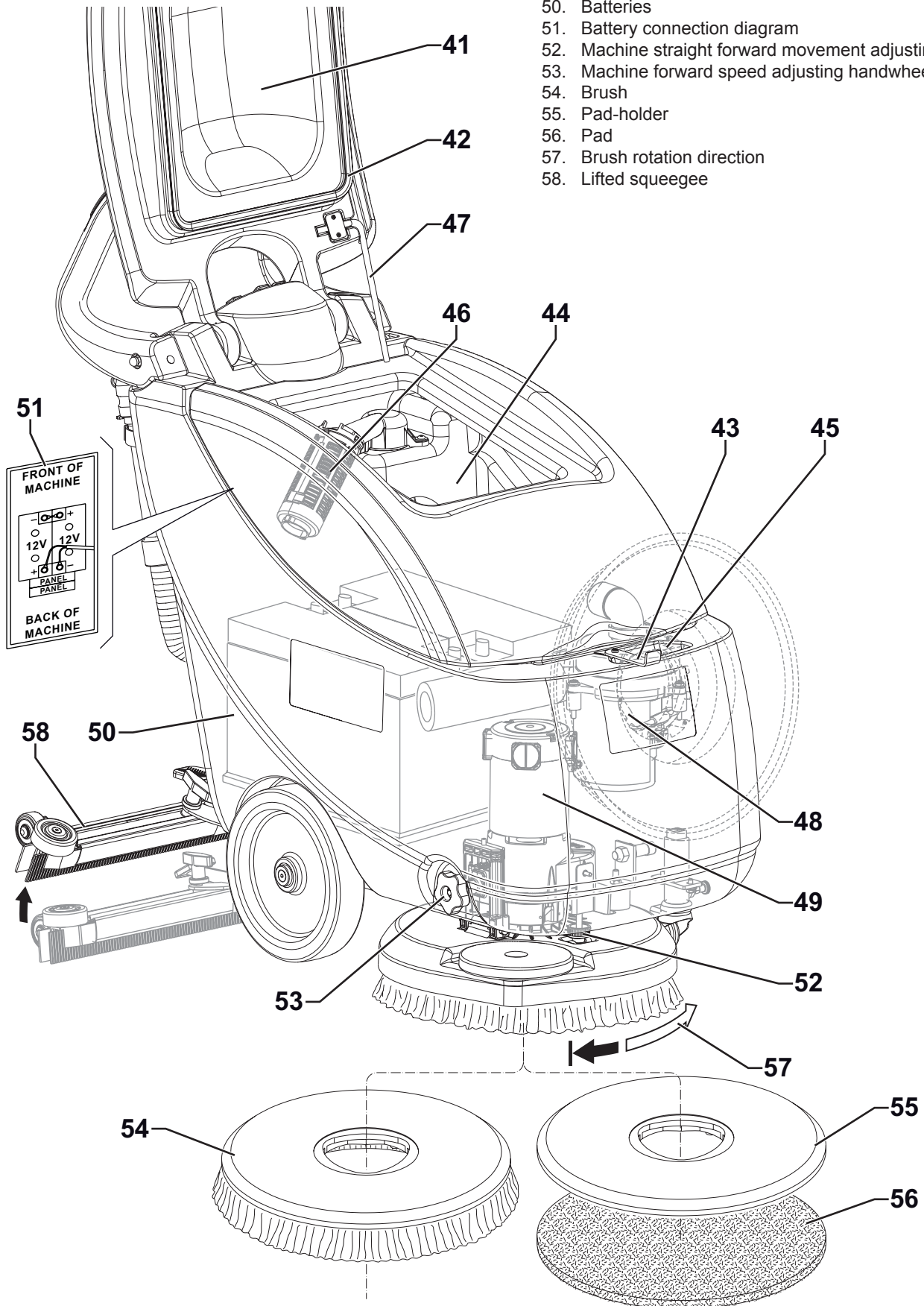


P100636

MACHINE STRUCTURE (Continues)

- 41. Recovery water tank cover (open)
- 42. Recovery tank cover gasket
- 43. Front brush/pad-holder support
- 44. Recovery tank compartment

- 45. Solution tank filler neck
- 46. Vacuum grid with automatic shut-off float
- 47. Safety rod for open cover
- 48. Vacuum system motor
- 49. Brush/pad-holder motor
- 50. Batteries
- 51. Battery connection diagram
- 52. Machine straight forward movement adjusting handwheel
- 53. Machine forward speed adjusting handwheel
- 54. Brush
- 55. Pad-holder
- 56. Pad
- 57. Brush rotation direction
- 58. Lifted squeegee

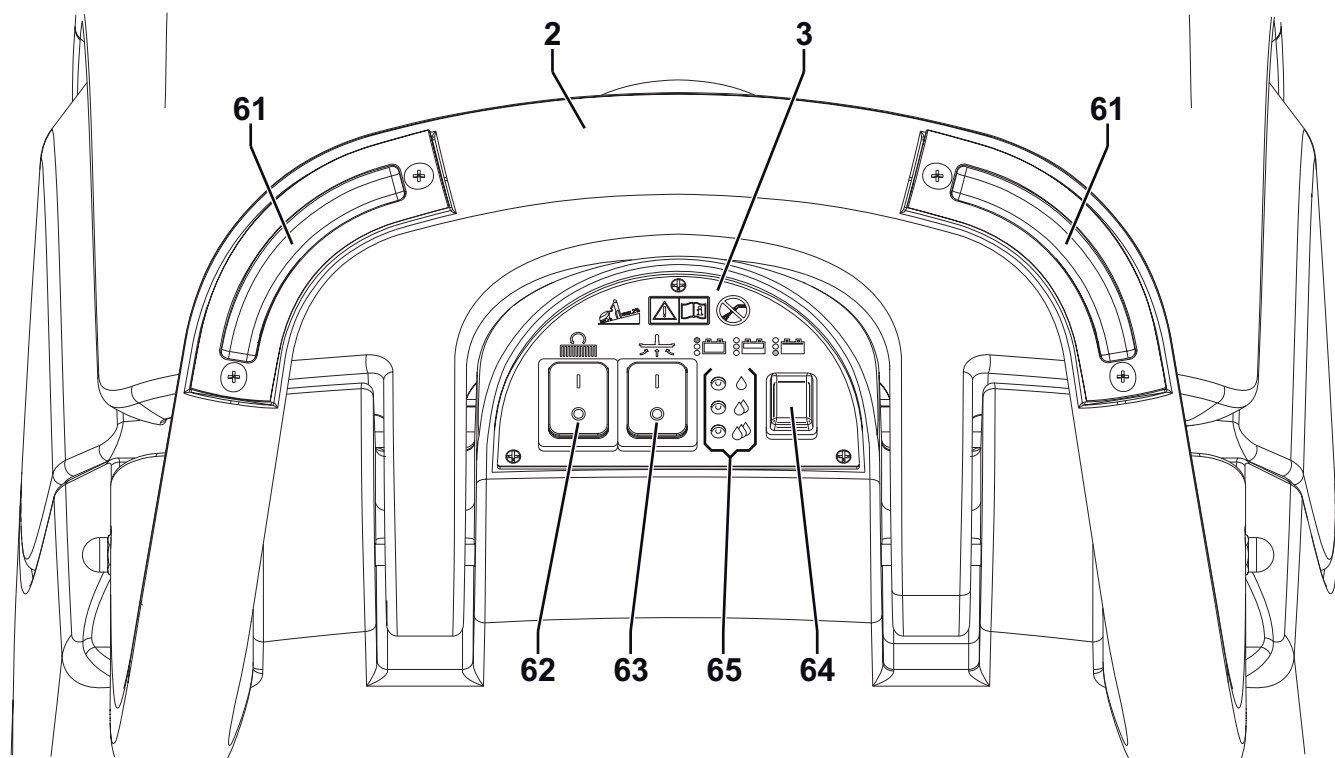


HANDLEBAR AND CONTROL PANEL

- 61. Brush enabling push-buttons
- 62. Brush/pad-holder activation switch
- 63. Vacuum system activation switch
- 64. Solution flow push-button Press to reach the desired quantity, as shown by LEDs (65):
- 65. LED indicators with double function:
 - Solution flow indicators
 - 1 LED on: Minimum solution flow.
 - 2 LEDs on: Medium solution flow.
 - 3 LEDs on: Maximum solution flow.
 - LEDs off: Closed solution flow.
 - Battery charge indicators
 - Green LED - charged battery
 - Yellow LED - semi-discharged batteries
 - Red LED - discharged batteries

**NOTE**

If the batteries are charged, the LEDs indicate the battery charge level only in the first 5 seconds after machine start-up. When the batteries are nearly or fully discharged, the battery charge level is constantly shown. In this case, to see the solution flow, the push-button (64) must be pressed.



P100638

ACCESSORIES/OPTIONS

In addition to the standard components, the machine can be equipped with the following accessories/options, according to the machine specific use:

- Batteries
- Brushes/pads of different materials

For further information concerning the optional accessories, contact an authorised Retailer.

TECHNICAL DATA

Model	Vantage 17 B
Solution tank capacity	8.2 US gal (31 liters)
Recovery tank capacity	7.9 US gal (30 liters)
Machine length	43.9 in (1,115 mm)
Machine width with squeegee	28.3 in (720 mm)
Machine width without squeegee	22.4 in (570 mm)
Machine height	41.3 in (1,050 mm)
Minimum turning radius	29.5 in (750 mm)
Cleaning width	17 in (430 mm)
Wheel diameter	9.8 in (250 mm)
Wheel pressure on the floor	290 psi (2 N/mm ²)
Brush/pad diameter	17 in (430 - 432 mm)
Brush/pad pressure with full tank and lowered squeegee	66 lb (30 kg)
Min/max solution flow	0.1 / 0.42 gpm (0.4 / 1.6 liters/min)
Sound pressure level at workstation (ISO 11201, ISO 4871, EN 60335-2-72) (LpA)	65 dB(A) ± 3 dB(A)
Machine sound pressure level (ISO 3744, ISO 4871, EN 60335-2-72) (LwA)	89 dB(A)
Vibration level at the operator's arms (ISO 5349-1, EN 60335-2-72)	< 98.4 in/s ² (< 2.5 m/s ²)
Maximum gradient when working	2%
IP protection class	X4
Protection class (electric)	III
Vacuum system motor power	0.4 hp (300 W)
Vacuuming	0.0117 MPa (1,200 mmH ₂ O)
Brush/pad motor power	0.6 hp (450 W)
Brush/pad-holder motor speed	155 rpm
Total absorbed power	29 A (0.75 kW)
Battery compartment size	13.7x17.7x10.2 in (350x350x260 mm)
Battery voltage	24 V
Battery charger	100-240 VAC
Work autonomy (standard batteries)	1.5 hour
Weight without batteries and with empty tanks	126 lb (57 kg)
Gross vehicle weight (GVW)	293 lb (133 kg)
Shipping weight	198 lb (90 kg)

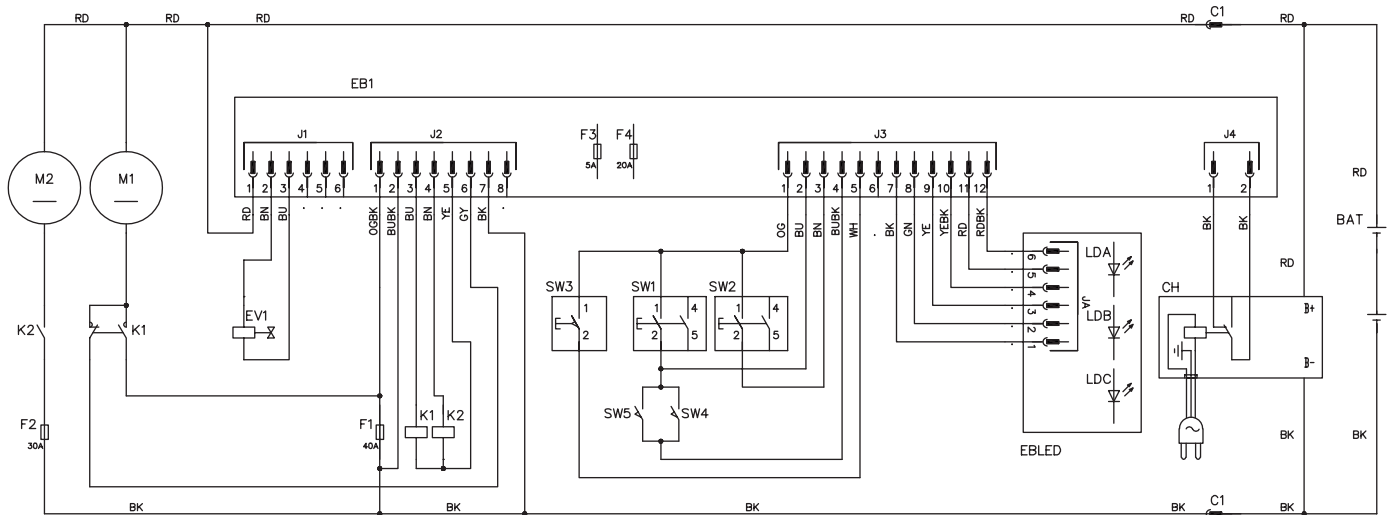
WIRING DIAGRAM

Key

BAT	24 V battery
C1	Battery connector
CH	Battery charger
EB1	Function electronic board
EBLED	LED electronic board
EV1	Detergent solenoid valve
F1	Brush motor fuse (40 A)
F2	Vacuum system motor fuse (30 A)
F3	Signal circuit fuse (5 A)
F4	Brush disengagement fuse (20 A)
K1	Brush electromagnetic switch
K2	Vacuum system relay
LDA	Green LED
LDB	Green/yellow LED
LDC	Green/red LED
M1	Brush motor
M2	Vacuum system motor
SW1	Brush switch
SW2	Vacuum system switch
SW3	Detergent rate switch
SW4,5	Brush enabling switch

Color codes

BK	Black
BU	Blue
BN	Brown
GN	Green
GY	Grey
OG	Orange
PK	Pink
RD	Red
VT	Violet
WH	White
YE	Yellow



P100656

USE

**WARNING!**

On some points of the machine there are some adhesive plates indicating:

- **DANGER**
- **WARNING**
- **CAUTION**
- **CONSULTATION**

While reading this Manual, the operator must pay particular attention to the symbols shown on the plates (see Visible Symbols On The Machine paragraph).

Do not cover these plates for any reason and immediately replace them if damaged.

BATTERY CHECK/SETTING ON A NEW MACHINE

**WARNING!**

The electric components of the machine can be seriously damaged if the batteries are either improperly installed or connected. The batteries must be installed by qualified personnel only.

Set the function electronic board and the battery charger according to the type of batteries used (WET or GEL).

Check the batteries for damage before installation.

Disconnect the battery connector and the battery charger plug.

Handle the batteries with great care.

Install the battery terminal protection caps supplied with the machine.

The machine requires two 12 V batteries, connected according to the diagram (51).

The machine can be supplied in one of the following modes:

GEL/AGM battery already installed on the machine

1. Ensure that the battery connector (29) is connected.
2. Start the machine (see Machine Start and Stop paragraph). If the green LED (64) turns on, the batteries are ready to be used.
3. If the yellow or red LED (64) turns on, the batteries must be charged (see the procedure in Maintenance chapter).

Without batteries

1. Buy appropriate batteries [See the Technical Data paragraph and the diagram (51)]. For battery choice and installation, apply to qualified battery Retailers.
2. Set the machine and the battery charger (if equipped) according to the type of batteries installed, according to the procedure shown in the following paragraph.

BATTERY TYPE SETTING (WET OR GEL/AGM)

Set the electronic board of the machine and the battery charger according to the type of batteries installed (WET or GEL/AGM) as shown below:

Machine setting

1. Disconnect the battery connector (29).
2. The machine factory setting is for GEL/AGM batteries. If this setting corresponds to the type of batteries installed, go to step 6. Otherwise, perform steps 3, 4 and 5 too.
3. Remove the screws (A, Fig. 1), then remove the cover (B) of the electrical component box (25).
4. On the electronic board, turn the microswitch (C) to WET position.



WARNING!

Do not move/set the adjacent switch (D).

5. Reinstall the electric component box cover (B) and tighten the screws (A).

Battery charger setting

6. To set the battery charger, refer to the relevant Manual supplied with the machine.

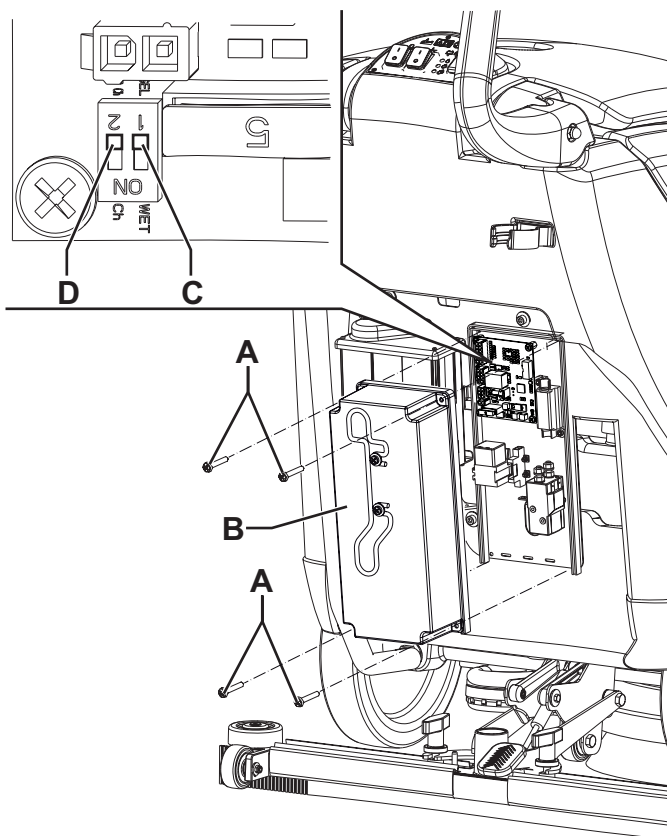


Figure 1

P100640

Battery installation

7. Disconnect the vacuum hose (22) from the squeegee (11).
8. Disconnect the recovery water drain hose (16) from the bracket (17).
9. Open the cover (6).
10. Grasp the recovery tank (A, Fig. 2) in the area (B) and slightly raise it.
11. Disconnect the vacuum hose (C) from the tank, then remove the tank (A) with the hoses (D) and (E).
12. Install the batteries on the machine according to the diagram (51).
13. Install the tank (A) by performing steps 7 to 11 in the reverse order.

Battery charging

14. Charge the batteries (see the procedure in Maintenance chapter).

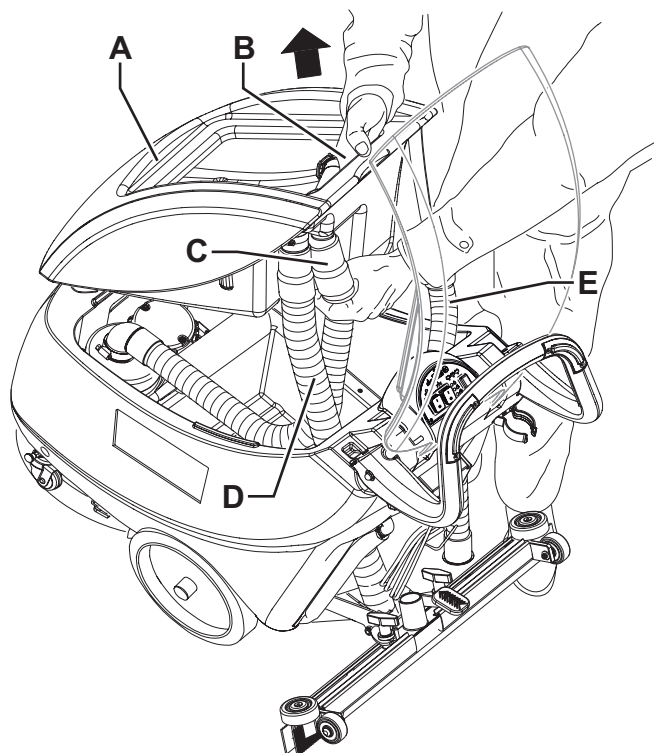


Figure 2

P100641

BEFORE MACHINE START-UP

Brush or pad-holder installation



NOTE

Use either the brush (54) or the pad-holder (55 and 56) according to the type of floor to be cleaned.

1. Insert the positioning pin (24) and disengage the machine transport/parking device (23b).
2. Lift the brush/pad-holder deck (10) by prying the handlebar (2).
3. Place the brush (54) or the pad-holder (55 and 56) under the deck.
4. Lower the deck (10) by using the handlebar (2).
5. Turn the switch (62) to "I".
6. Press the brush enabling push-buttons (61) to engage the brush/pad-holder to the deck hub (10). If necessary, repeat the procedure until the brush/pad-holder is engaged.

Available brushes and their relevant application guides (suggestions only)

	Models	MIDLITE GRIT 180	MIDGRIT 240	PROLITE	UNION MIX
General cleaning	Concrete				
	Terrazzo floor				
	Ceramic tiles/quarrrystones				
	Marble				
	Vinyl tiles				
	Rubber tiles				
Polishing	Rubber tiles				
	Marble				
	Vinyl tiles				

Squeegee installation

7. Install the squeegee (11) and fasten it with the handwheels (12), then connect the vacuum hose (22) to the squeegee.

Solution tank filling



CAUTION!

Use only low-foam and non-flammable detergents, intended for automatic scrubber applications.



WARNING!

When using floor cleaning detergents, follow the instructions on the labels of the detergent bottles.

To handle floor cleaning detergents, wear suitable gloves and protections.

8. Use the filler neck (45) to fill the tank (31) with a solution suitable for the work to be performed. Do not fill the solution tank completely, leave few inches from the edge. Always follow the dilution instructions on the label of the chemical product used to prepare the solution. The solution temperature must not exceed 104 °F (40 °C).

MACHINE START AND STOP

Starting the machine

1. Prepare the machine as shown in the previous paragraph.
2. Lower the squeegee (11) with the pedal (19).
3. Turn the main switch (62) to "1", to turn on the brush motor.
4. In the first 5 seconds after turning on the machine, the LEDs (65) indicate the battery charge status. If the green LED turns on, the machine is ready to be used. If the yellow or red LED turns on, the batteries must be charged (see the procedure in Maintenance chapter).



NOTE

If the batteries are charged, the LEDs indicate the battery charge level only in the first 5 seconds after machine start-up. When the batteries are nearly or fully discharged, the battery charge level is constantly shown. In this case, to see the solution flow, the push-button (64) must be pressed.

5. Turn the switch (63) to "1", to turn on the vacuum system motor.
6. Press the solution flow push-button (64) to change the solution quantity. Green LEDs (65) indicate the flow quantity according to the following table:

LEDs on (65)				
Setting	Minimum solution flow.	Medium solution flow.	Maximum solution flow.	Closed solution flow.

7. To start scrubbing/drying, keep the hands on the handlebar (2) and start the machine by pressing the brush enabling push-buttons (61).

Stopping the machine

8. Release the brush enabling push-buttons (61).
9. Turn the switch (63) to "0", to turn off the vacuum system motor.
10. Turn the switch (62) to "0", to turn off the brush motor.
11. Engage the positioning pin (24) and activate the machine transport/parking device (23a) to keep the brush/pad-holder lifted (see Fig. 5).
12. Make sure that the machine cannot move independently.



NOTE

Each time that the machine is turned off, the solution flow program turns automatically to minimum level, to reduce water consumption.



CAUTION!

In case of immediate necessity and to stop all machine functions, disconnect the battery connector (29). Reset the machine functions by connecting again the connector.

Squeegee lifting

Lift the squeegee as indicated below:

1. Grasp the handlebar (2), lower it until the rear wheel (7) touches the floor (A, Fig. 3) then engage the squeegee in lifted position (B).

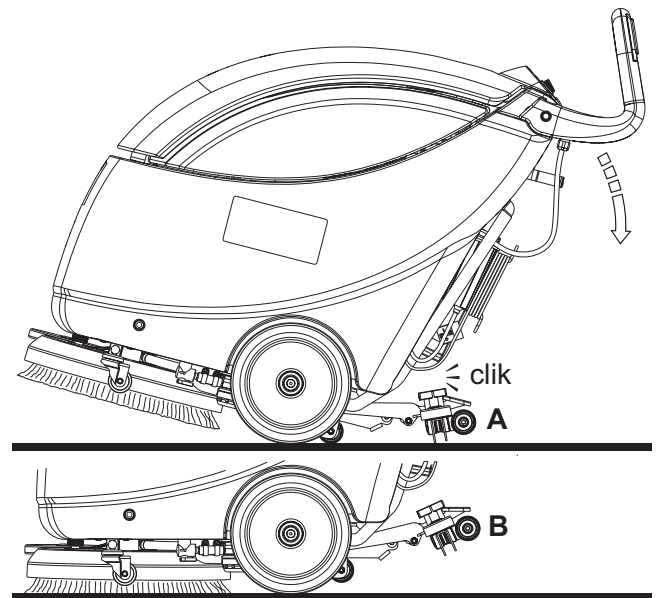


Figure 3

P100642

MACHINE OPERATION (SCRUBBING/DRYING)

1. Start the machine as shown in the previous paragraph.
2. While keeping both hands on the handlebar (2), move the machine and start scrubbing/drying the floor.
3. If necessary, adjust the solution quantity by using the push-button (65).

**CAUTION!**

To avoid damaging the floor surface, do not use the brush without the solution and, when the machine is not operating, stop the brush/pad-holder by releasing the push-buttons (61).

**CAUTION!**

Before lifting the brush/pad, turn it off by releasing the push-buttons (61).

**NOTE**

For correct scrubbing/drying of floors at the sides of the walls, Clarke suggests to go near the walls with the right side of the machine as shown in figure 4.

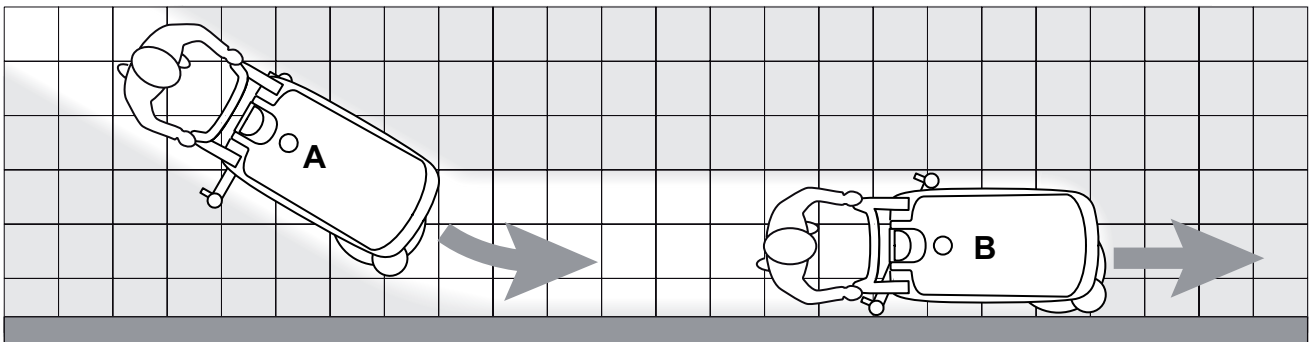


Figure 4

P100643

**CAUTION!**

In case of brush/pad-holder motor overload, due to foreign bodies which prevent them from turning, or to excessively aggressive floors/brushes, the safety system stops the brush/pad-holder after about one minute of continuous overload.

The overload is shown by the three battery LEDs (64) flashing simultaneously.

To start scrubbing again after a brush/pad-holder stop due to overload, stop the machine by turning the switch (62) to "0". Start the machine by turning the switch (62) to "1".

Machine speed adjustment

- The machine speed varies according to the type of floor to be cleaned and the choice of using the brush or the pad. If necessary, it is possible to adjust the machine speed, according to the procedure shown in Maintenance chapter.

Battery discharge during operation

- Until the green LED (64) turns on in the first 5 seconds, the batteries allow to work normally. When the yellow and red LED turn on in sequence, it is necessary to charge the battery as the machine residual autonomy is at the minimum level.

**CAUTION!**

Do not use the machine with discharged batteries, to avoid damaging the batteries and reducing the battery life.

MACHINE TRANSPORT/PARKING

To transport/park the machine, proceed as follows.

- Turn off the machine by pressing the switches (62) and (63) to "0".
- Lift the squeegee (59).
- Engage the positioning pin (24) and activate the machine transport/parking device (23a) to keep the brush/pad-holder lifted (Fig. 5).
- While holding the machine in this position, drive it to the transport/parking area.
- In order not to drag the brush/pad on the floor and leave wet marks, when finishing working, remove the brush/pad-holder from the deck by using the disengagement procedure (see the next paragraph), then place it on the front holder (43).

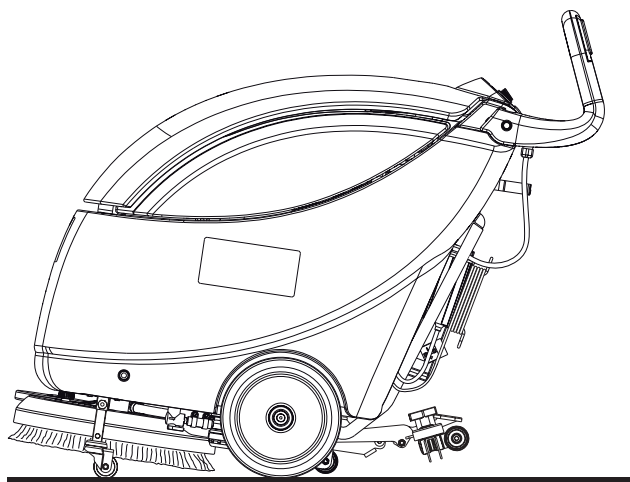


Figure 5

P100644

Brush/pad-holder removal

Remove the brush/pad-holder deck by performing the following procedure:

- Turn the switch (62) to "1".
- Lift the brush/pad-holder deck (10) by prying the handlebar (2).
- Press the push-buttons (61) 3 times consequently, then wait that the brush starts and stop, thus disengaging from the drive hub.
- Turn the switch (62) to "0" position to switch off the machine.

TANK EMPTYING

An automatic float shut-off system (46) turns off the vacuum system when the recovery tank (30) is full.

The vacuum system shutdown, due to the recovery tank filling, is signalled by an increase in the vacuum system motor noise, moreover the floor is not dried.

**CAUTION!**

If the vacuum system turns off accidentally (for example, when the float is activated because of a sudden machine movement), to resume the operation: turn off the vacuum system by turning the switch (63) to "0", then open the recovery tank cover (41) and check that the float inside the grid (46) has gone down to the water level. Then close the recovery tank cover (6) and turn on the vacuum system by turning the switch (63) to "1" position.

When the recovery tank (30) is full, empty it according to the following procedure.

Recovery tank emptying

1. Turn the switches (62) and (63) to "0" position to switch off the machine.
2. Lift the squeegee (59).
3. Drive the machine to the appointed disposal area.
4. Insert the positioning pin (24) and lift the brush/pad-holder by engaging the transport/parking device (23a).
5. Empty the recovery tank (30) with the drain hose (16). Then, rinse the tank with clean water.

Solution tank emptying

Perform steps 1 to 4.

6. Empty the solution tank (31) with the hose (18).
7. Then, rinse the tank with clean water.

AFTER USING THE MACHINE

After working, before leaving the machine:

1. Remove the brush/pad-holder as shown in the Machine Transport/Parking paragraph.
2. Empty the tanks (30 and 31) as shown in the previous paragraph.
3. Perform the daily maintenance procedures (see the Maintenance chapter).
4. Store the machine in a clean and dry place, with the brush/pad-holder and the squeegee lifted or removed.

RECOVERY TANK REMOVAL

To check or charge the lead (WET) batteries, or to perform other procedures, it may be necessary to remove the recovery tank (30) as shown below.

1. Make sure that the switches (62 and 63) are turned to "0".
2. Empty the recovery tank (30) as shown in the relevant paragraph.
3. Drive the machine on a level floor.
4. Disconnect the vacuum hose (22) from the squeegee (11).
5. Disconnect the recovery water drain hose (16) from the bracket (17).
6. Open the cover (6).
7. Grasp the recovery tank (A, Fig. 6) in the area (B) and slightly raise it.
8. Disconnect the vacuum hose (C) from the tank, then remove the tank (A) with the hoses (D) and (E).

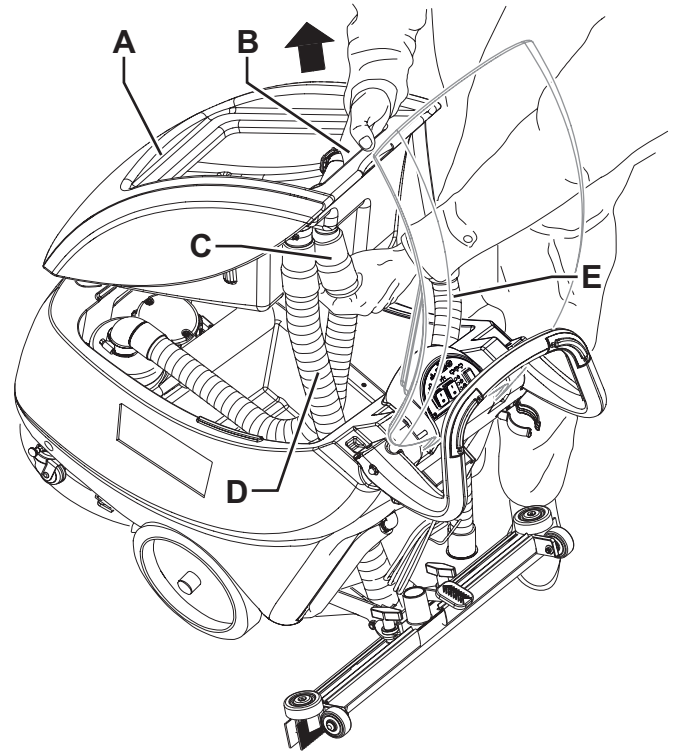


Figure 6

P100641

MACHINE LONG INACTIVITY

If the machine is not going to be used for more than 30 days, proceed as follows:

1. Perform the procedures shown in After Using the Machine paragraph.
2. Disconnect the battery connector (29).
3. Store the machine in a clean and dry place.

FIRST PERIOD OF USE

After the first 8 hours, check the machine fastening and connecting parts for proper tightening. Check the visible parts for integrity and leakage.

MAINTENANCE

The lifespan of the machine and its maximum operating safety are ensured by correct and regular maintenance. The following chart provides the scheduled maintenance. The intervals shown may vary according to particular working conditions, which are to be defined by the person in charge of the maintenance.



WARNING!

Maintenance procedures must be performed with the machine switched off and the batteries/battery charger cable disconnected.

Moreover, carefully read the instructions in the Safety chapter.

All scheduled or extraordinary maintenance procedures must be performed by qualified personnel, or by an authorised Service Center. This Manual describes only the easier and most common maintenance procedures.



NOTE

For other maintenance procedures shown in the Scheduled Maintenance Table, refer to the Service Manual that can be consulted at any Service Center.

SCHEDULED MAINTENANCE TABLE

Procedure	Daily, after using the machine	Weekly	Every six months	Yearly
Squeegee cleaning				
Brush cleaning				
Tank and vacuum grid cleaning				
Squeegee blade check and replacement				
Solution filter cleaning				
Battery charging				
WET battery fluid level check				
Screw and nut tightening check			(1)	
Brush motor carbon brush check and replacement				(2)
Vacuum system motor carbon brush check and replacement				(2)

(1) And after the first 8 working hours.

(2) This maintenance procedure must be performed by an authorised Clarke Service Center.

SQUEEGEE CLEANING



NOTE

The squeegee must be clean and its blades must be in good conditions in order to get a good drying.



WARNING!

It is advisable to wear protective gloves when cleaning the squeegee because there may be sharp debris.

1. Drive the machine on a level floor.
2. Make sure that the switches (62 and 63) are turned to "0".
3. Lower the squeegee with the pedal (19).
4. Disconnect the vacuum hose (22) from the squeegee.
5. Loosen the handwheels (12) and remove the squeegee (11).
6. Wash and clean the squeegee. In particular, clean the compartments (A, Fig. 7) and the vacuum hole (B) from dirt and debris.
7. Check the front blade (C) and the rear blade (D) for integrity, cuts and tears; if necessary replace them (see the procedure in the following paragraph).
8. Assemble the components in the reverse order of disassembly.

SQUEEGEE BLADE CHECK AND REPLACEMENT

1. Clean the squeegee as shown in the previous paragraph.
2. Check that the front blade edges (E, Fig. 7) and the rear blade edges (I) lay down on the same level, along their length; if necessary adjust the height according to the following procedure:
 - Remove the mounting springs (F), then adjust the front blade (C) and the rear blade (D).
 - Install the mounting springs on the front and rear blades.
3. Check the front blade (C) and rear blade (D) for integrity, cuts and tears; if necessary replace them as shown below. Also check the front corner (H) of the rear blade for wear; if it is worn, overturn the blade to replace the worn corner with the other one (G), if it is integral. If the other corner is worn too, replace the blade according to the following procedure:
 - Remove the mounting springs (F) and then replace (or overturn) the rear blade (D).
 - Install the mounting springs on the front and rear blades.
4. Install the squeegee (11) and screw tighten the handwheels (12).
5. Connect the vacuum hose (22) to the squeegee (11).

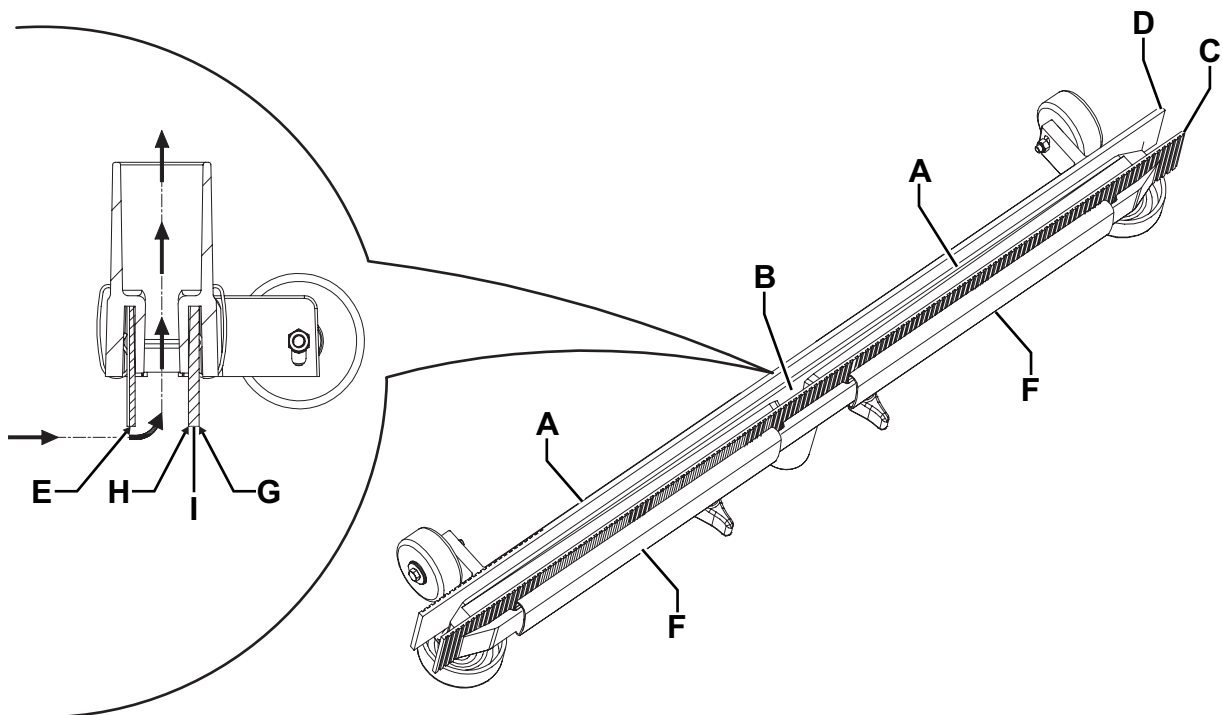


Figure 7

S310230A

BRUSH CLEANING**WARNING!**

It is advisable to wear protective gloves when cleaning the squeegee because there may be sharp debris.

1. Remove the brush as shown in the Machine Transport/Parking paragraph.
2. Insert the positioning pin (24) and disengage the machine transport/parking device (23b).
3. Clean the brush with water and detergent.
4. Check the brush bristles for integrity and wear; if necessary, replace the brush.

TANK AND VACUUM GRID CLEANING

1. Drive the machine to the appointed disposal area.
2. Make sure that the switches (62 and 63) are turned to "0".
3. Open the recovery water cover (41), then clean and wash the cover, the tanks (30 and 31) and the vacuum grid (46) with clean water. Drain the water from the tanks with the drain hose (16) and the hose (18).
4. If necessary, release the fasteners (B, Fig. 8) and open the grid (A); recover the float (C), clean all the components and then reinstall them.
5. Check the recovery tank cover gasket (D) for integrity.

**NOTE**

The gasket (D) creates vacuum in the tank that is necessary for vacuuming the recovery water.

If necessary replace the gasket (D) by removing it from its housing (E). When assembling the new gasket, install the joint (F) in the rear central area, as shown in the figure.

6. Check the seating surface (D) of the gasket (G) for integrity and sealing capabilities.
7. Close the recovery tank cover (6).

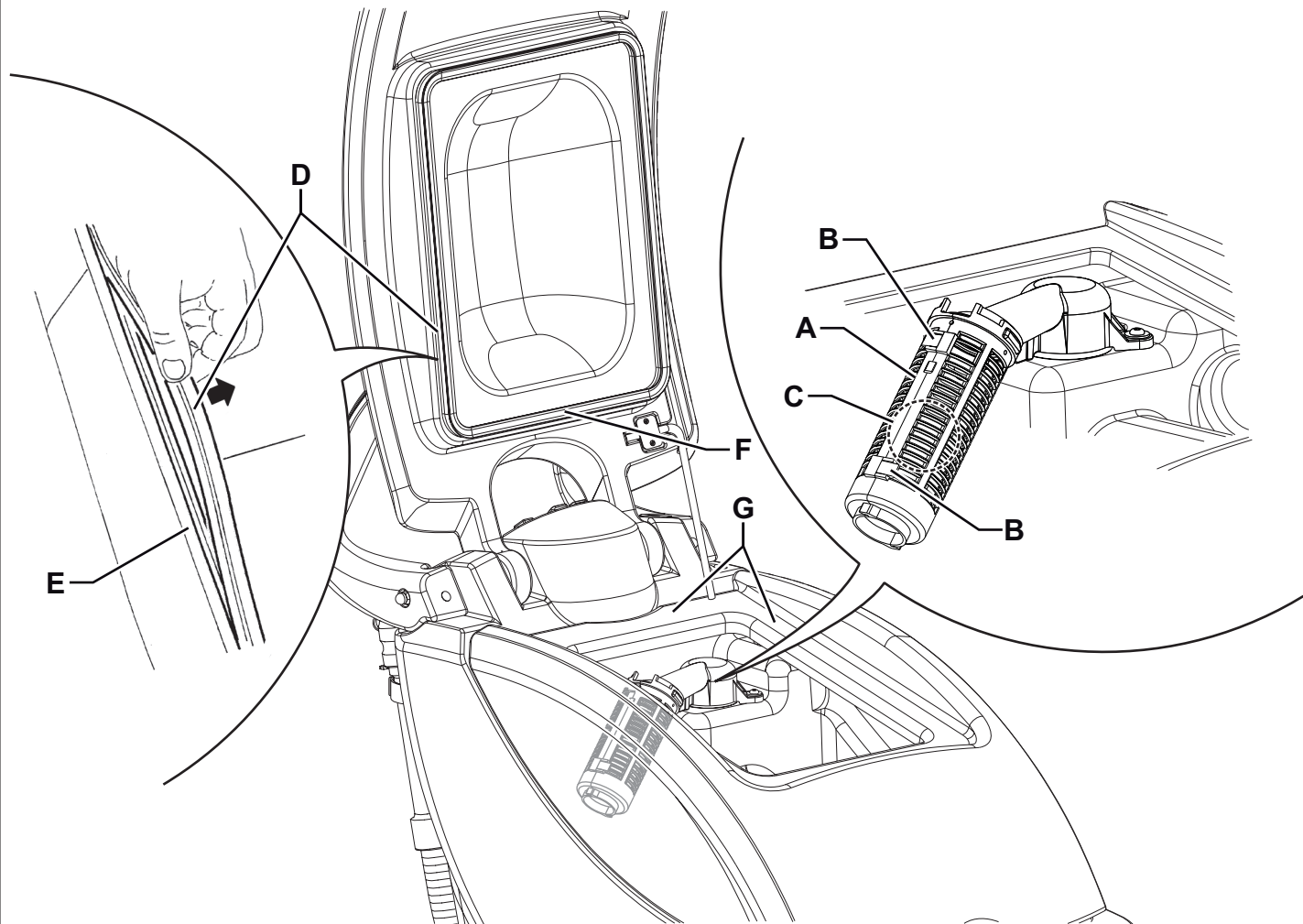


Figure 8

P100645

SOLUTION FILTER CLEANING

1. Drive the machine on a level floor.
2. Make sure that the switches (62 and 63) are turned to "0".
3. Close the solution valve (A, Fig. 9) under the machine, in front of the left rear wheel.
The valve (A) is closed when it is in the position (B) and it is open when it is in the position (C).
4. Remove the transparent cover (D) and the gasket (E), then remove the filter strainer (F). Clean and install them on the support (G).



NOTE

Install the gasket (E) and the filter strainer (F) properly on the cover (D) and on the support (G).

5. Open the valve (A) by turning it to position (C).

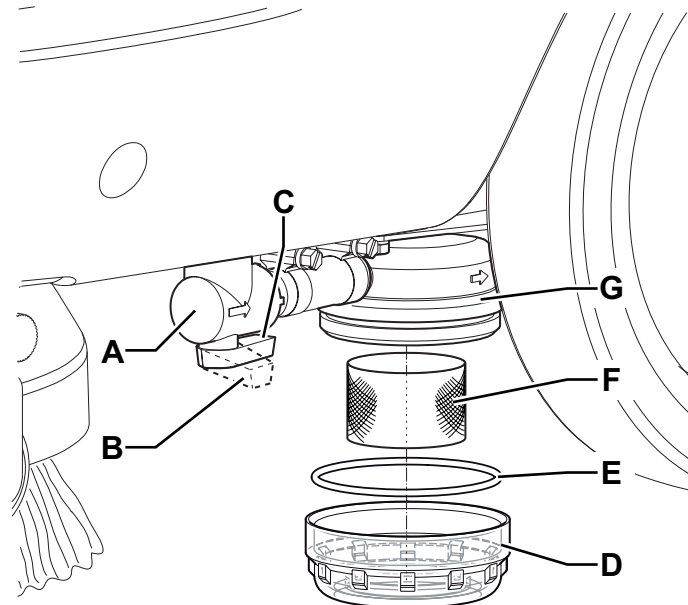


Figure 9

P100646

MACHINE SPEED ADJUSTMENT



NOTE

The machine speed varies according to the type of floor to be cleaned and the choice of using the brush or the pad. If necessary, perform the following procedure.

1. Adjust the machine speed with the handwheel (53) according to the following procedure:
 - Turn it counter-clockwise to increase the machine speed.
 - Turn it clockwise to decrease the machine speed.
2. If it is difficult to keep the machine moving straight-forwardly because it deviates to the left or to the right, adjust the handwheel (52) by turning it clockwise or counter-clockwise.
3. With the machine ready to operate, perform hands-on tests of the machine and other adjustments if necessary.

BATTERY CHARGING**NOTE**

Charge the batteries when the yellow or red warning light (64) turns on, or at the end of every working cycle. Keeping the batteries charged make their life last longer.

**CAUTION!**

When the batteries are discharged, charge them as soon as possible, as that condition makes their life shorter. Check for battery charge at least once a week.

**WARNING!**

When using lead (WET) batteries, battery charging produces highly explosive hydrogen gas. Charge the batteries in well-ventilated areas and away from naked flames.

Do not smoke while charging the batteries.

Do not reinstall the recovery tank until the battery charging cycle is over.

**WARNING!**

Pay careful attention when charging WET batteries as there may be battery fluid leakages. The battery fluid is corrosive. If it comes in contact with skin or eyes, rinse thoroughly with water and consult a physician.

1. Drive the machine to the appointed recharging area.
2. Make sure that the switches (62 and 63) are turned to "0".
3. For WET batteries only:
 - Remove the recovery tank as shown in Use chapter.
 - Check the level of electrolyte inside the batteries; if necessary, top up through the caps.
 - Leave all the battery caps open for next charging.
 - If necessary, clean the upper surface of the batteries.
4. Connect the battery charger cable (21) to the electrical mains (the electrical mains voltage and frequency must be compatible with the battery charger values shown on the machine serial number plate (1)).

**NOTE**

When the battery charger is connected to the electrical mains, all machine functions are automatically cut off. The battery charger red or yellow LED (27) turned on, indicates that the batteries are charging.

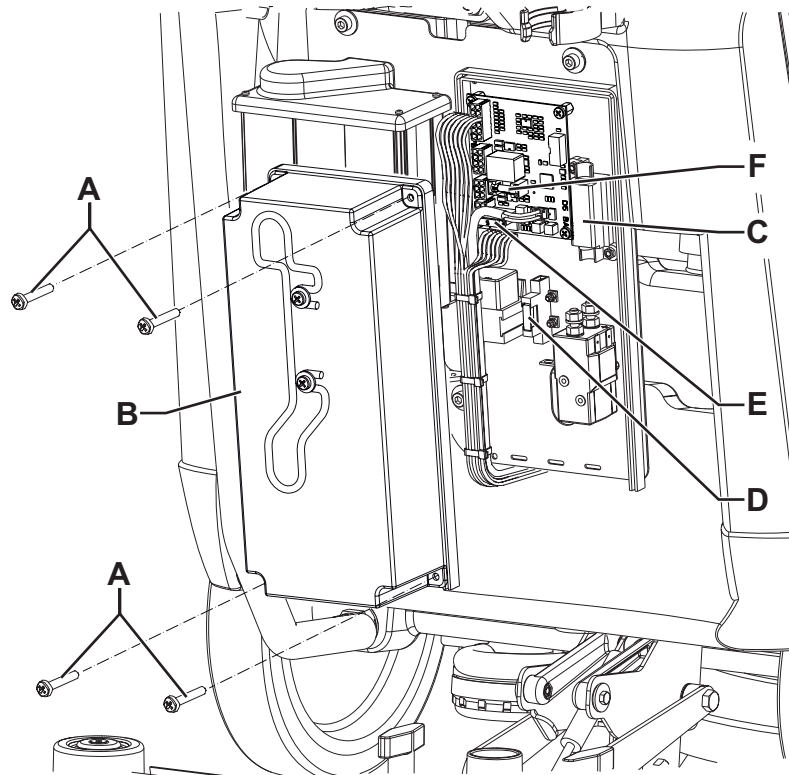
5. When the green LED (27) stays on, the battery charging cycle is over.
6. When the battery charging is completed, disconnect the battery charger cable (21) from the electrical mains and wind it round its housing.
7. For WET batteries only:
 - Close all the battery caps.
 - Install the recovery tank as shown in Use chapter.
8. Now the machine is ready to be used.

**NOTE**

For further information about the operation of the battery charger (26), see the relevant Manual.

FUSE CHECK/REPLACEMENT

1. Disconnect the battery connector (29).
2. Remove the screws (A, Fig. 10), then carefully remove the electrical component box cover (B).
3. Check the following fuses for integrity:
 - (C): F1 (40 A) circuit breaker, brush motor
 - (D): F2 (30 A) blade fuse, vacuum system.
 - (E): F3 (5 A) blade fuse, solenoid valve and electronic board
 - (E): F4 (20 A) glass fuse, brush disengagement system
4. Replace the fuse, when the component that caused deactivation has fully cooled down.

**Figure 10**

P100647

TROUBLESHOOTING

Trouble	Possible Cause	Remedy
The motors do not turn on; no LED turns on.	The battery connector is disconnected.	Connect.
	The batteries are discharged.	Charge.
	The F3 fuse is blown.	Replace.
The LEDs (65) flash simultaneously.	The brush motor is overloaded.	Use a different kind of brush.
	There are foreign materials (tangled threads, etc.) preventing the brush from rotating.	Clean the brush hub.
The brush motor does not run.	The push-buttons (61) are broken.	Replace. (*)
	The fuse F1 is blown.	Replace.
	The switch (62) is broken.	Replace. (*)
The brush disengagement system does not work.	The F4 fuse is blown.	Replace.
The vacuum system motor does not turn on.	The F2 fuse is blown.	Replace.
	The switch (63) is broken.	Replace. (*)
The dirty water vacuuming is insufficient.	The recovery tank is full.	Empty.
	The vacuum grid is clogged or the float is closing.	Clean the grid and check the float.
	The vacuum hose is disconnected from the squeegee or faulty.	Connect.
	The squeegee is dirty, or the squeegee blades are worn or damaged.	Clean the squeegee or replace the blades.
	The recovery tank cover is not properly closed, or the gasket is damaged.	Check and/or clean the seating surface or replace the gasket.
	The vacuum system motor filter is dirty.	Clean.
The solution flow is insufficient.	The solution filter is dirty.	Clean.
	The solution solenoid valve is faulty.	Replace. (*)
The squeegee leaves marks on the floor.	There is debris under the squeegee blades.	Remove the debris.
	The squeegee blades are worn, chipped or torn.	Replace the blades.

(*) This maintenance procedure must be performed by an authorised Clarke Service Center.

For further information, refer to the Service Manual, available at any Clarke Service Center.

SCRAPPING

Have the machine scrapped by a qualified scrapper.

Before scrapping the machine, remove and separate the following materials, which must be disposed of properly according to the Law in force:

- Batteries
- Brushes
- Plastic hoses and components
- Electrical and electronic components (*)

(*) Refer to the nearest Clarke Center especially when scrapping electrical and electronic components.

LEA ESTE LIBRO

Contiene información importante para el uso correcto y seguro de la máquina. Lea este libro completamente antes de arrancar la máquina o hacer cualquier operación de mantenimiento. Si no siga las instrucciones, corre el peligro de herirse o causar lesiones al personal, o causar daños importantes a la máquina o a su entorno. Antes de usar la máquina, es indispensable seguir una formación. Si Usted (o el operador) no habla español, solicite (o proporciónese) todas las informaciones necesarias. El libro está traducido en otros idiomas. Todas las indicaciones de dirección dadas en este libro están dadas desde la posición del operador en la parte de atrás de la máquina. Puede Ud. conseguir libros suplementarios dirigiéndose a su distribuidor Clarke.

ÍNDICE

INTRODUCCIÓN.....	26
FINALIDAD Y OBJETO DE ESTE MANUAL	26
DESTINATARIOS	26
CONSERVACIÓN DEL MANUAL	26
DATOS DE IDENTIFICACIÓN	26
OTROS MANUALES DE REFERENCIA	26
PIEZAS DE REPUESTO Y MANTENIMIENTO	26
MODIFICACIONES Y MEJORAS	26
CARACTERÍSTICAS DE FUNCIONAMIENTO	26
CONVENCIONES	26
DESEMBALAJE/ENTREGA.....	27
SEGURIDAD	27
SÍMBOLOS VISIBLES EN LA MÁQUINA	27
SÍMBOLOS QUE APARECEN EN EL MANUAL	28
INSTRUCCIONES GENERALES	28
DESCRIPCIÓN DE LA MÁQUINA.....	30
ESTRUCTURA DE LA MÁQUINA.....	30
MANILLAR Y PANEL DE CONTROL.....	32
ACCESORIOS/OPCIONES.....	33
DATOS TÉCNICOS	33
ESQUEMA ELÉCTRICO	34
USO.....	35
CONTROL/PREPARACIÓN DE LAS BATERÍAS EN LA MÁQUINA NUEVA	35
AJUSTE DEL TIPO DE BATERÍAS (WET O GEL/AGM).....	36
ANTES DE LA PUESTA EN MARCHA DE LA MÁQUINA.....	37
PUESTA EN MARCHA Y PARADA DE LA MÁQUINA.....	38
MÁQUINA EN FUNCIÓN (LAVADO/SECAMIENTO).....	39
TRANSPORTE/ESTACIONAMIENTO DE LA MÁQUINA.....	40
VACIADO DE LOS DEPÓSITOS.....	40
DESPUÉS DEL USO DE LA MÁQUINA.....	41
REMOCIÓN DEL DEPÓSITO DEL AGUA DE RECUPERACIÓN.....	41
PERIODO DE LARGA INACTIVIDAD DE LA MÁQUINA.....	41
PRIMER PERIODO DE USO	41
MANTENIMIENTO	42
ESQUEMA DE MANTENIMIENTO PROGRAMADO.....	42
LIMPIEZA DE LA BOQUILLA.....	43
CONTROL Y SUSTITUCIÓN DE LOS CAUCHOS DE LA BOQUILLA.....	43
LIMPIEZA DEL CEPILLO.....	44
LIMPIEZA DE LOS DEPÓSITOS Y DE LA REJILLA DE ASPIRACIÓN	44
LIMPIEZA DEL FILTRO DE LA SOLUCIÓN DETERGENTE.....	45
AJUSTE DEL AVANCE DE LA MÁQUINA	45
CARGA DE LAS BATERÍAS.....	46
CONTROL/SUSTITUCIÓN DE LOS FUSIBLES	47
BÚSQUEDA AVERÍAS	48
ELIMINACIÓN.....	48
PARTS LIST.....	73

INTRODUCCIÓN



NOTA

Los números entre paréntesis se refieren a los componentes ilustrados en el capítulo Descripción de la máquina.

FINALIDAD Y OBJETO DE ESTE MANUAL

Este manual contiene todas las informaciones necesarias para que el operador utilice la máquina de forma adecuada, autónoma y segura. Incluye informaciones inherentes a los datos técnicos, la seguridad, el funcionamiento, el almacenamiento, el mantenimiento, las piezas de repuesto y la eliminación.

Antes de efectuar cualquier operación de mantenimiento, los operadores y los técnicos calificados tienen que leer cuidadosamente las instrucciones incluidas en este manual. En caso de dudas sobre la correcta interpretación de las instrucciones, consultar Clarke para obtener explicaciones.

DESTINATARIOS

Este manual es para los operadores y los técnicos encargados del mantenimiento de la máquina.

Los operadores no deben efectuar procedimientos reservados a los técnicos calificados. Clarke no es responsable para los daños causados a la máquina por falta de observación de esta prohibición.

CONSERVACIÓN DEL MANUAL

Las Instrucciones de uso deben conservarse junto a la máquina, dentro de su contenedor, lejos de líquidos y otras sustancias que podrían dañarlo.

DATOS DE IDENTIFICACIÓN

El número de serie y el modelo de la máquina están marcados en la placa (1).

En la misma placa se indican también el año de fabricación y el código del producto.

Esta información es necesaria cuando se pidan piezas de repuesto para la máquina. Utilizar el espacio siguiente para escribir los datos de identificación de la máquina.

Modelo MÁQUINA
Código del PRODUCTO
Número de serie MÁQUINA

OTROS MANUALES DE REFERENCIA

- Manual del cargador de baterías electrónico, que debe considerarse parte integrante de este manual
- Catálogo piezas de repuestos (en dotación a la máquina)
- Manual de asistencia (solo los técnicos calificados lo puede consultar cerca de los Centros de asistencia Clarke)

PIEZAS DE REPUESTO Y MANTENIMIENTO

Para cualquier necesidad inherente al uso, mantenimiento y reparación, consultar al personal calificado o los Centros de asistencia Clarke. Se recomienda usar sólo piezas de repuesto y accesorios originales.

Para la asistencia o para pedir piezas de repuesto y accesorios acudir a Clarke, especificando siempre el modelo, el código del producto y el número de serie de la máquina.

MODIFICACIONES Y MEJORAS

Clarke está constantemente mejorando sus productos y se reserva el derecho de realizar modificaciones y mejoras a su discreción, sin verse obligada a aplicar dichas ventajas a las máquinas vendidas previamente.

Sólo Clarke puede aprobar y efectuar cualquier modificación y/o instalación de accesorios.

CARACTERÍSTICAS DE FUNCIONAMIENTO

Las fregadoras/secadoras son adecuadas para limpiar (lavar y secar) suelos lisos y sólidos, en ambiente privado o industrial, en condiciones de seguridad, por parte de un operador calificado.

Las fregadoras/secadoras no son adecuadas para limpiar alfombras o moqueta.

CONVENCIONES

En este manual, las indicaciones de adelante, atrás, delantero, trasero, derecho e izquierdo, se refieren al operador en posición de conducción con las manos sobre el manillar (2).

DESEMBALAJE/ENTREGA

Para desembalar la máquina seguir cuidadosamente las instrucciones colocadas sobre el embalaje.

Al momento de la entrega, controlar con cuidado el embalaje y la máquina por si hayan sufrido daños durante el transporte.

Si los daños son evidentes, conservar el embalaje, de forma que el transportista que lo ha entregado lo pueda inspeccionar.

Contactarlo de inmediato para compilar una indemnización daños y perjuicios.

Controlar que la máquina sea entregada junto a los siguientes componentes:

- Documentación técnica:
 - Manual de uso de la fregadora/secadora
 - Manual del cargador de baterías
 - Catálogo piezas de repuestos de la fregadora/secadora
- N° 1 fusible laminar de 40 A



¡ATENCIÓN!

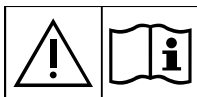
Los Productos a la venta en este Manual contienen, o pueden contener, productos químicos reconocidos por algunos gobiernos (como el Estado de California, según lo indica en su Proposición 65, Ley de Advertencia Regulatoria) como causantes de cáncer, defectos de nacimiento u otros daños reproductivos. En algunas jurisdicciones (incluido el Estado de California), los compradores de estos Productos que los coloquen en servicio en un emplazamiento laboral o en un espacio de acceso público tienen la obligación regulatoria de realizar determinados avisos, advertencias o divulgaciones respecto de los productos químicos contenidos o posiblemente contenidos en los Productos utilizados en tal lugar. Es la responsabilidad del comprador conocer y cumplir con todas las leyes y reglamentaciones relacionadas con el uso de estos Productos en tales entornos. El Fabricante niega toda responsabilidad de informar a los compradores sobre requisitos específicos que pueden regir el uso de los Productos en tales entornos.

SEGURIDAD

La siguiente simbología sirve para señalar situaciones de peligro potencial. Leer siempre cuidadosamente estas informaciones y tomar las precauciones necesarias para proteger personas y cosas.

Para evitar desgracias, la cooperación del operador de la máquina es fundamental. Ningún programa de prevención de accidentes resulta eficaz sin la total cooperación de la persona directamente responsable del funcionamiento de la máquina. La mayoría de los accidentes que pueden ocurrir en una empresa, durante el trabajo o los traslados, son causados por no observar las reglas de seguridad fundamentales. Un operador cuidadoso y cauto es la mejor garantía para evitar posibles accidentes y resulta más eficaz que cualquier programa de prevención.

SÍMBOLOS VISIBLES EN LA MÁQUINA



¡ATENCIÓN!

Leer con cuidado todas las instrucciones antes de efectuar cualquier operación en la máquina.



¡ATENCIÓN!

No lavar la máquina con chorros de agua directa o presurizada.



¡ATENCIÓN!

No usar la máquina sobre rampas o inclinaciones superiores a las especificaciones.

SÍMBOLOS QUE APARECEN EN EL MANUAL



¡PELIGRO!
Indica un peligro con riesgo, incluso mortal, para el operador.



¡ATENCIÓN!
Indica el riesgo potencial de infortunios para las personas.



¡ADVERTENCIA!
Indica una advertencia o una nota sobre una función importante o útil.
Tener cuidado de las partes del texto marcadas con este símbolo.



NOTA
Indica una nota sobre una función importante o útil.



CONSULTAS
Indica la necesidad de consultar el Manual de uso antes de efectuar cualquier operación.

INSTRUCCIONES GENERALES

Se describen aquí las advertencias y precauciones específicas por lo que se refiere a los potenciales riesgos de daños a la máquina o a las personas.



- ¡PELIGRO!**
- **Antes de efectuar cualquier operación de limpieza, mantenimiento o sustitución de piezas llevar la perilla de selección del programa en posición “0” y, si necesario, desconectar el conector de las baterías.**
 - **Sólo los operadores cualificados pueden usar esta máquina.**
 - **Quitarse las joyas cuando se trabaja cerca de los componentes eléctricos.**
 - **No trabajar bajo la máquina levantada si ésta no está fijada con los soportes de seguridad adecuados.**
 - **No activar la máquina en un ambiente donde haya polvo, líquidos o vapores nocivos, peligrosos, inflamables y/o explosivos: esta máquina no es adecuada para recoger polvos peligrosos.**
 - **Si se usan baterías de plomo (WET), tener chispas, llamas y materiales fumantes lejos de las baterías. Durante el uso normal pueden salir gases explosivos.**
 - **Si se usan baterías de plomo (WET), cargando las baterías se produce gas hidrógeno muy explosivo. Quitar el depósito del agua de recuperación durante las operaciones de carga de las baterías y efectuar la carga solo en áreas muy bien ventiladas y lejos de llamas libres.**



- ¡ATENCIÓN!**
- **Antes de efectuar cualquier operación de mantenimiento/repación, leer cuidadosamente todas las instrucciones relacionadas al mantenimiento/repación.**
 - **Antes de usar el cargador de baterías, asegurarse de que la frecuencia y la tensión indicadas en la placa del número de serie de la máquina coincidan con la tensión de la red.**
 - **No tirar o transportar la máquina por el cable del cargador de baterías; no utilizar el cable como manilla. No cerrar el cable del cargador de baterías en una puerta o tirarlo sobre bordes o ángulos afilados. No atropellar el cable del cargador de baterías con la máquina.**
 - **Tener el cable del cargador de baterías lejos de superficies calientes.**
 - **Si el cable o el enchufe del cargador de baterías están dañados, no cargar las baterías de la máquina. Si la máquina no funciona correctamente, está dañada, quedada al exterior o bañada, llevarla a un Centro de asistencia.**
 - **Para reducir el riesgo de incendio, electrochoque o lesiones, no dejar la máquina conectada a la red eléctrica cuando está sin custodia. Antes de efectuar las operaciones de mantenimiento, desconectar el cable del cargador de baterías de la red eléctrica.**
 - **No fumar cuando se cargan las baterías.**
 - **Proteger siempre la máquina del sol, lluvia y otras intemperies, tanto durante el funcionamiento como durante los períodos de inactividad. Almacenar la máquina en un lugar cerrado y seco: esta máquina sólo se puede usar en seco y no se debe usar o tener al exterior en condiciones de humedad.**
 - **Antes de usar la máquina, cerrar todos los portillos y/o las tapas como indicado en el Manual de uso.**
 - **El aparato no está diseñado para que lo usen personas (incluidos los niños) con reducidas capacidades físicas, mentales o sensoriales o con experiencia y/o competencias insuficientes, a no ser que lo utilicen bajo la supervisión de una persona responsable de su seguridad o que ésta les enseñe a usarlo. Los niños deben ser supervisados para asegurarse de que no jueguen con el aparato.**
 - **Tener mucho cuidado cuando se utiliza cerca de niños.**

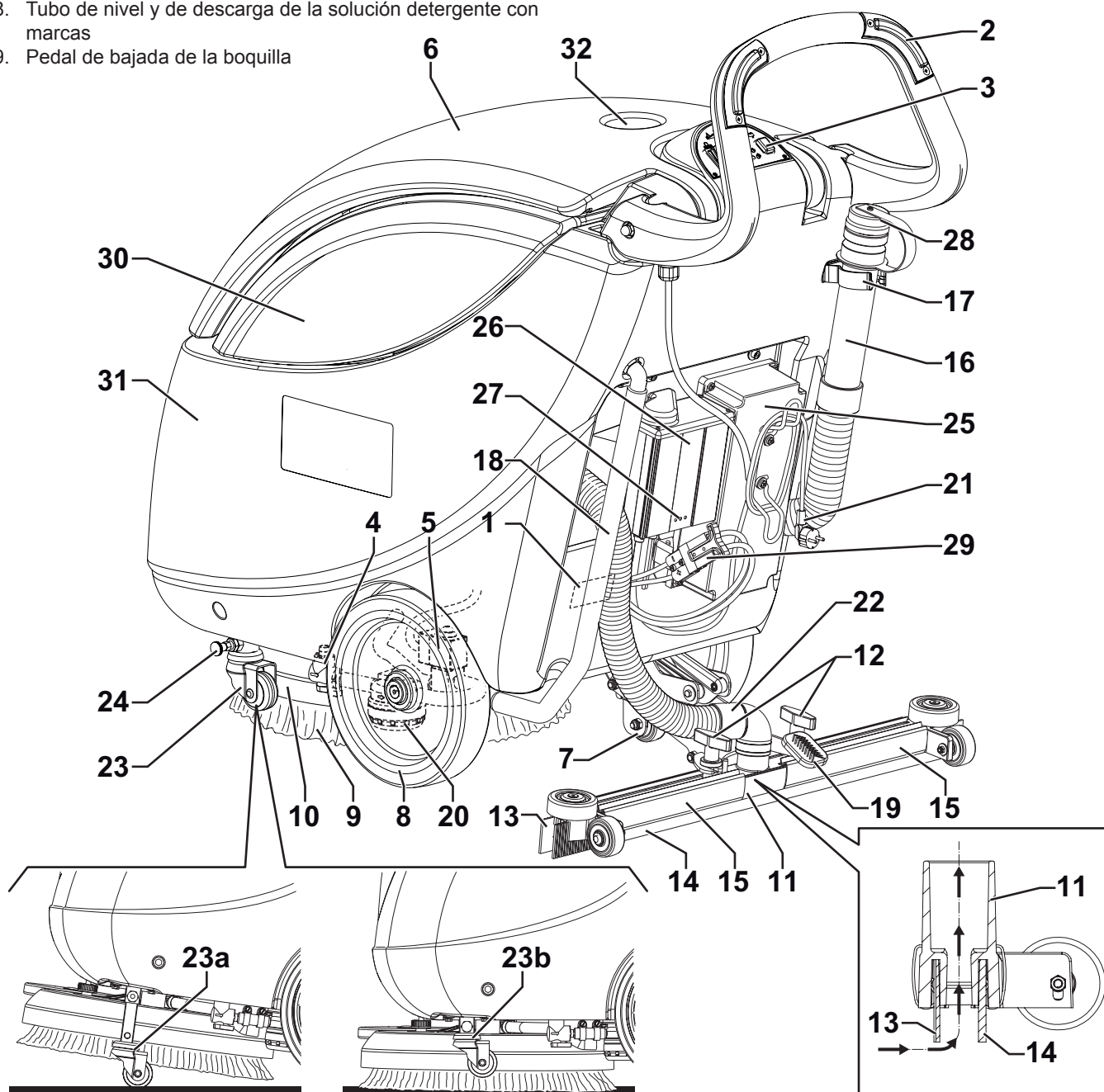
**¡ATENCIÓN!**

- *No usar con finalidades diferentes de aquellas indicadas en este manual. Usar sólo los accesorios recomendados por Clarke.*
- *Controlar con cuidado la máquina antes de usarla, comprobar que se hayan montados todos los componentes antes de usarla. El uso de la máquina no perfectamente montada puede causar lesiones a personas y daños a los aparatos.*
- *Tomar todas las precauciones necesarias para que el pelo, las joyas y las ropas no sean capturados por las partes móviles de la máquina.*
- *No usar la máquina sobre suelos con inclinaciones superiores a las especificaciones.*
- *No usar la máquina sobre pendientes.*
- *No inclinar la máquina con un ángulo superior al valor indicado en la máquina misma, para no perjudicar la estabilidad.*
- *No usar la máquina en ambientes demasiado polvorientos.*
- *Usar la máquina sólo en áreas con suficiente iluminación.*
- *Cuando se usa esta máquina, tener cuidado de salvaguardar la incolumidad de personas y cosas.*
- *No chocar contra estanterías o andamios de los que puedan caer objetos.*
- *No apoyar contenedores de líquidos sobre la máquina, usar el portabebidas.*
- *La temperatura de la máquina en trabajo debe estar entre +32°F y +104°F (0°C y +40°C).*
- *La temperatura de almacenamiento de la máquina debe estar entre +32°F y +104°F (0°C y +40°C).*
- *La humedad debe estar entre el 30% y el 95%.*
- *Cuando se usan detergentes, seguir las instrucciones y advertencias indicadas en las etiquetas de los frascos.*
- *Cuando se usan detergentes, usar guantes y protecciones adecuadas.*
- *No usar la máquina como vehículo de transporte.*
- *No permitir que el cepillo/fieltro funcione mientras la máquina está parada en un punto para evitar posibles daños al suelo.*
- *En caso de incendio usar un extintor de polvo, no de agua.*
- *No adulterar por ninguna razón la máquina, respetar escrupulosamente las instrucciones previstas para el mantenimiento ordinario.*
- *No dejar que material extraño entre en las aperturas. No usar la máquina si las aperturas están obstruidas. Las aperturas deben mantenerse libre de polvo, hilacha, pelos y cualquier otro cuerpo extraño que pueda reducir el flujo de aire.*
- *No quitar ni modificar las placas colocadas en la máquina.*
- *Esta máquina no tiene aprobación para el uso en carreteras o vías públicas.*
- *Tener cuidado durante el traslado de la máquina en condiciones de temperatura muy baja. El agua en el depósito del agua de recuperación o en los tubos, podría congelarse y dañar la máquina.*
- *Utilizar sólo los cepillos y los fieltros suministrados con la máquina o aquellos especificados en el Manual de uso. Usar otros cepillos o fieltros puede perjudicar la seguridad.*
- *Cuando la máquina no funciona correctamente, asegurarse de que esto no sea causado por falta de mantenimiento. En caso contrario, pedir la intervención del personal autorizado o del Centro de asistencia autorizado.*
- *Si deben sustituirse piezas, solicitar piezas de repuesto ORIGINALES a un Concesionario y/o Revendedor autorizado.*
- *Para asegurar condiciones de funcionamiento correcto y seguro, el personal autorizado o el Centro de asistencia autorizado debe llevar a cabo el mantenimiento programado según las especificaciones indicadas en el capítulo relacionado de este manual.*
- *No lavar la máquina con chorros de agua directa o presurizada, o con sustancias corrosivas.*
- *Nunca se debe abandonar la máquina al final del ciclo vital, por la presencia de materiales tóxicos y dañinos (baterías, aceites, etc.) sujetos a normativas que exigen que se realice la eliminación en centros especiales (véase el capítulo Eliminación).*

DESCRIPCIÓN DE LA MÁQUINA

ESTRUCTURA DE LA MÁQUINA

- | | |
|---|--|
| <ol style="list-style-type: none"> 1. Placa número de serie/datos técnicos/marcación de conformidad 2. Manillar 3. Panel de control 4. Grifo de apertura/cierre del flujo de la solución detergente 5. Electroválvula de la solución detergente 6. Tapa del depósito del agua de recuperación 7. Rueda trasera para apoyo de la boquilla levantada 8. Ruedas centrales en eje fijo 9. Cepillo/filtro 10. Cabezal portacepillo/portafiltro 11. Boquilla 12. Empuñaduras de fijación de la boquilla 13. Caucho delantero de la boquilla 14. Caucho trasero de la boquilla 15. Resortes de fijación de los cauchos de la boquilla 16. Tubo de descarga del agua de recuperación 17. Soporte del tubo de descarga del agua de recuperación 18. Tubo de nivel y de descarga de la solución detergente con marcas 19. Pedal de bajada de la boquilla | <ol style="list-style-type: none"> 20. Filtro de la solución detergente 21. Cable del cargador de baterías 22. Tubo de aspiración de la boquilla 23. Rueda de transporte/estacionamiento 23a. Rueda de transporte/estacionamiento activada 23b. Rueda de transporte/estacionamiento desactivada 24. Clavija de posicionamiento de la rueda de transporte/estacionamiento 25. Caja de componentes eléctricos 26. Cargador de baterías 27. Luces de aviso del cargador de baterías 28. Tapón de descarga del agua de recuperación 29. Conector (rojo) de conexión de las baterías. Este conector funciona también como pulsador de EMERGENCIA, para la interrupción inmediata de todas las funciones. 30. Depósito del agua de recuperación 31. Depósito de la solución detergente 32. Portabebidas |
|---|--|

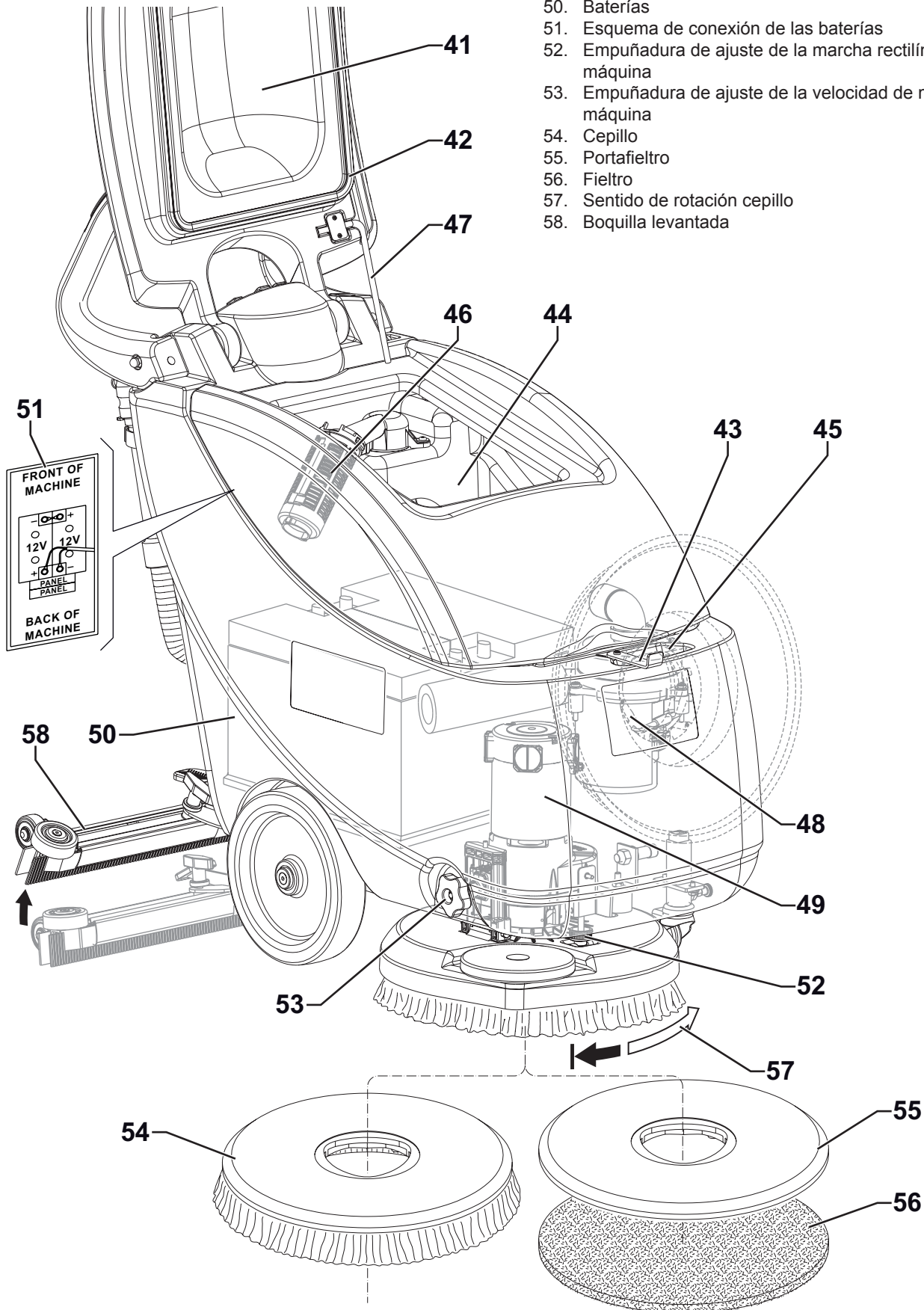


P100636

ESTRUCTURA DE LA MÁQUINA (Sigue)

- 41. Tapa del depósito del agua de recuperación (abierta)
- 42. Guarnición de la tapa del depósito del agua de recuperación
- 43. Soporte anterior del cepillo/portafiltro
- 44. Compartimiento del depósito del agua de recuperación

- 45. Boca de llenado del depósito de la solución detergente
- 46. Rejilla de aspiración con cierre automático de flotador
- 47. Barra de seguridad de la tapa abierta
- 48. Motor sistema de aspiración
- 49. Motor cepillo/portafiltro
- 50. Baterías
- 51. Esquema de conexión de las baterías
- 52. Empuñadura de ajuste de la marcha rectilínea de la máquina
- 53. Empuñadura de ajuste de la velocidad de marcha de la máquina
- 54. Cepillo
- 55. Portafiltro
- 56. Filtro
- 57. Sentido de rotación cepillo
- 58. Boquilla levantada

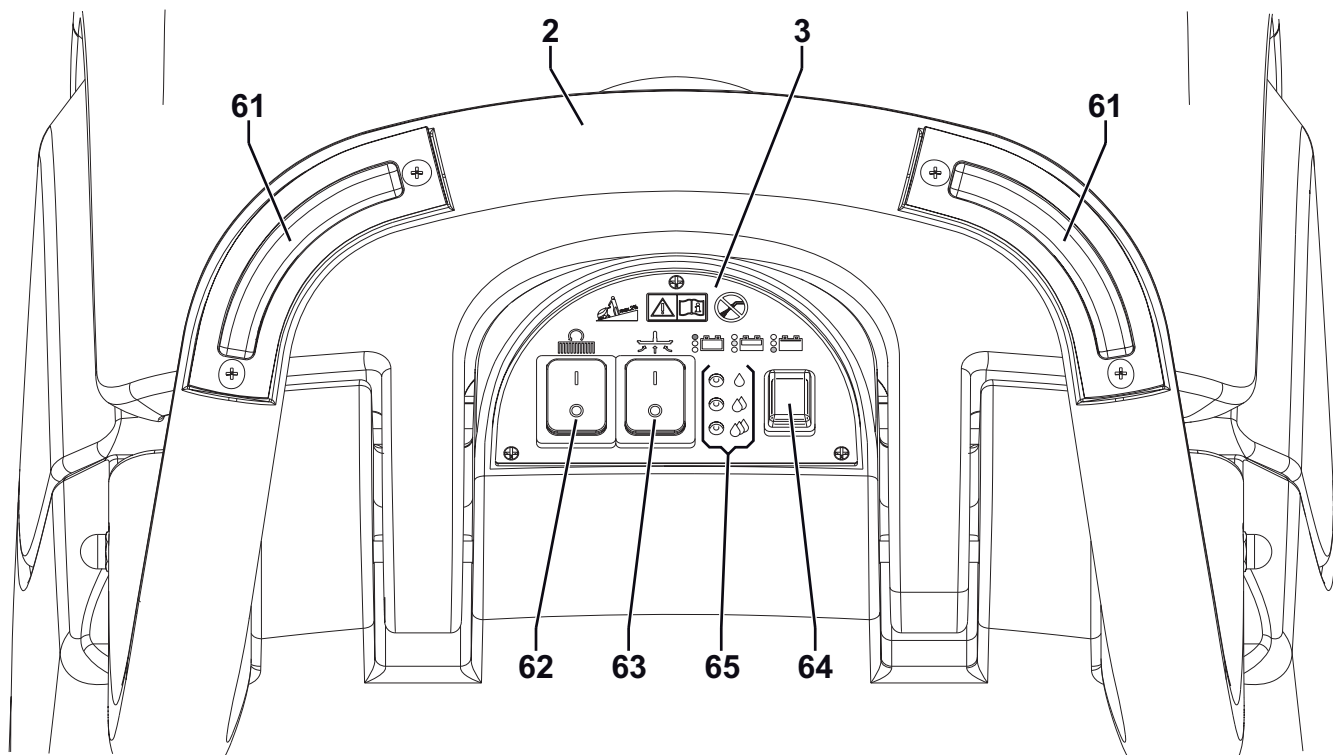


MANILLAR Y PANEL DE CONTROL

61. Pulsadores de ascenso de accionamiento del cepillo
 62. Interruptor de accionamiento motor del cepillo/portafiltro
 63. Interruptor de accionamiento del sistema de aspiración
 64. Pulsador del flujo de la solución detergente Pulsar para cambiar la cantidad hasta llegar al valor deseado, como indicado por los LEDs (65).
65. Indicadores LEDs con doble función:
- Indicadores de cantidad flujo de solución detergente
 - 1 LED encendido: Flujo mínimo de la solución detergente.
 - 2 LEDs encendidos: Flujo medio de la solución detergente.
 - 3 LEDs encendidos: Flujo máximo de la solución detergente.
 - LEDs apagados: Flujo de la solución detergente cerrado.
 - Indicadores de carga de las baterías
 - LED verde - baterías cargadas
 - LED amarillo - baterías casi descargadas
 - LED rojo - baterías descargadas

**NOTA**

Si las baterías están cargadas, la indicación LED de la condición de carga de las baterías se visualiza solo durante los primeros 5 segundos después de la puesta en marcha de la máquina. Si las baterías están casi o totalmente descargadas, la indicación se visualiza constantemente. En este caso, para visualizar el flujo de la solución detergente es necesario pulsar el pulsador (64).



P100638

ACCESORIOS/OPCIONES

Además de los componentes instalados en la versión estándar, la máquina puede equiparse con los siguientes accesorios/ opciones, según el uso específico:

- Baterías
- Cepillos/filtros de diferentes materiales

Para informaciones suplementarias sobre estos accesorios opcionales, acudir al Revendedor autorizado.

DATOS TÉCNICOS

Modelo	Vantage 17 B
Capacidad del depósito de la solución detergente	8.2 US gal (31 litros)
Capacidad del depósito del agua de recuperación	7.9 US gal (30 litros)
Longitud de la máquina	43.9 in (1,115 mm)
Anchura de la máquina con boquilla	28.3 in (720 mm)
Anchura de la máquina sin boquilla	22.4 in (570 mm)
Altura de la máquina	41.3 in (1,050 mm)
Radio mínimo de viraje	29.5 in (750 mm)
Anchura de barrido	17 in (430 mm)
Diámetro ruedas en eje fijo	9.8 in (250 mm)
Presión ruedas sobre el suelo	290 psi (2 N/mm ²)
Diámetro cepillo/filtro	17 in (430 - 432 mm)
Presión cepillo/filtro en el suelo con depósito lleno y boquilla bajada	66 lb (30 kg)
Flujo de la solución detergente mín/máx	0.1 / 0.42 gpm (0.4 / 1.6 litros/min)
Presión sonora a la oreja del operador (ISO 11201, ISO 4871, EN 60335-2-72) (LpA)	65 dB(A) ± 3 dB(A)
Potencia acústica emitida por la máquina (ISO 3744, ISO 4871, EN 60335-2-72) (LwA)	89 dB(A)
Nivel de vibraciones al brazo del operador (ISO 5349-1, EN 60335-2-72)	< 98.4 in/s ² (< 2.5 m/s ²)
Inclinación máxima de trabajo	2%
Grado de protección IP	X4
Clase de protección (eléctrica)	III
Potencia del motor del sistema de aspiración	0.4 hp (300 W)
Aspiración	0.0117 MPa (1,200 mmH ₂ O)
Potencia del motor del cepillo/portafiltro	0.6 hp (450 W)
Velocidad del motor del cepillo/portafiltro	155 rpm
Potencia total absorbida	29 A (0.75 kW)
Dimensiones compartimiento baterías	13.7x17.7x10.2 in (350x350x260 mm)
Tensión baterías	24 V
Cargador de baterías	100-240 VAC
Autonomía de trabajo (baterías estándar)	~ 1.5 h
Peso sin baterías y con los depósitos vacíos	126 lb (57 kg)
Peso máximo en orden de marcha (GVW)	293 lb (133 kg)
Peso de envío	198 lb (90 kg)

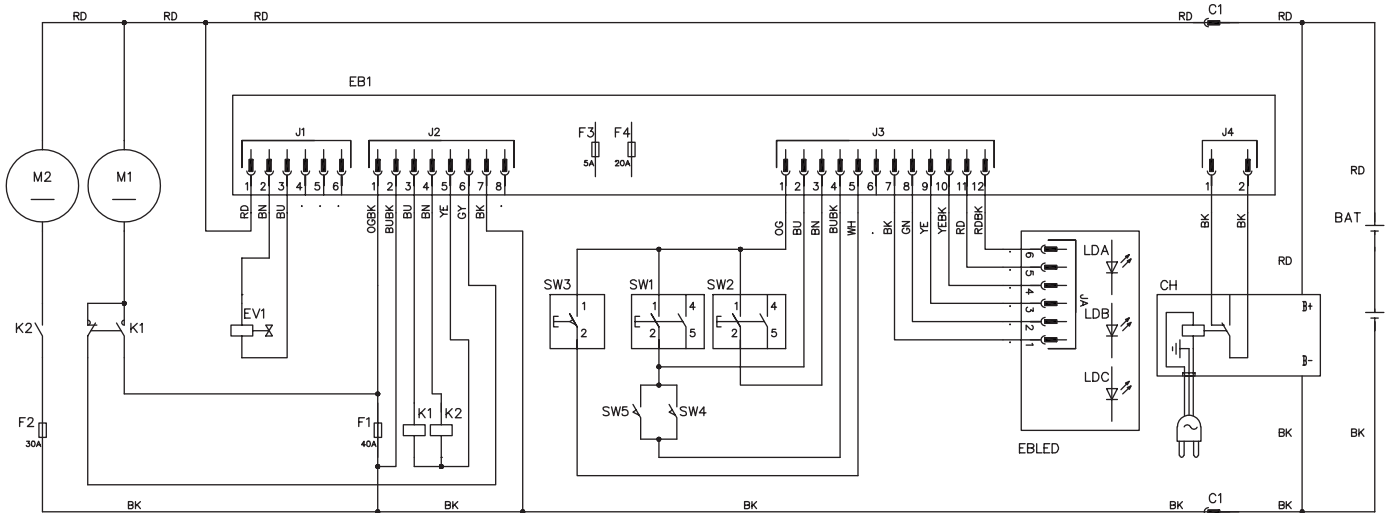
ESQUEMA ELÉCTRICO

Leyenda

BAT	Batería 24 V
C1	Conector batería
CH	Cargador de baterías
EB1	Tarjeta electrónica funciones
EBLED	LED tarjeta
EV1	Electroválvula detergente
F1	Fusible del motor del cepillo (40 A)
F2	Fusible del motor del sistema de aspiración (30 A)
F3	Fusible de los circuitos de señal (5 A)
F4	Fusible de desenganche del cepillo (20 A)
K1	Telerruptor cepillo
K2	Relé del sistema de aspiración
LDA	LED verde
LDB	LED verde/amarillo
LDC	LED verde/rojo
M1	Motor del cepillo
M2	Motor sistema de aspiración
SW1	Interruptor cepillo
SW2	Interruptor del sistema de aspiración
SW3	Interruptor caudal detergente
SW4,5	Interruptor de confirmación del cepillo

Códigos color

BK	Negro
BU	Azul
BN	Marrón
GN	Verde
GY	Gris
OG	Anaranjado
PK	Rosado
RD	Rojo
VT	Morado
WH	Blanco
YE	Amarillo



P100656

USO



¡ATENCIÓN!

En unas partes de la máquina hay unas placas adhesivas que indican:

- PELIGRO
- ATENCIÓN
- ADVERTENCIA
- CONSULTAS

Leyendo este Manual, el operador tiene que aprender el sentido de los símbolos indicados en las placas (véase el párrafo Símbolos visibles en la máquina).

Por ninguna razón estas placas deben cubrirse y si están dañadas tienen que sustituirse de inmediato.

CONTROL/PREPARACIÓN DE LAS BATERÍAS EN LA MÁQUINA NUEVA



¡ATENCIÓN!

Si no se instalan correctamente las baterías, los componentes eléctricos de la máquina podrían dañarse. Sólo el personal calificado puede efectuar la instalación de las baterías.

Ajustar la tarjeta electrónica funciones y el cargador de baterías, según el tipo de baterías utilizado (WET o GEL).

Antes de instalar las baterías, controlar que no estén dañadas.

Desconectar el conector de las baterías o el enchufe del cargador de baterías.

Desplazar las baterías con mucho cuidado.

Instalar las tapas de protección de los terminales de las baterías, en dotación a la máquina.

La máquina necesita dos baterías de 12 V, conectadas según el esquema (51).

La máquina puede ser entregada con las siguientes configuraciones:

Baterías GEL/AGM ya instaladas en la máquina

1. Asegurarse de que el conector de las baterías (29) esté conectado.
2. Poner en marcha la máquina (véase el párrafo Puesta en marcha y parada de la máquina). Si el LED verde (64) se enciende, la batería está cargada y puede utilizarse.
3. Si se enciende el LED amarillo o rojo (64) es necesario cargar las baterías (véase el procedimiento en el capítulo Mantenimiento).

Sin baterías

1. Comprar unas baterías adecuadas [véase el párrafo Datos técnicos y el esquema (51)]. Para escoger e instalar las baterías, acudir a un Revendedor calificado.
2. Ajustar la máquina y el cargador de baterías (si en dotación) según el tipo de baterías instaladas, como indicado en el párrafo siguiente.

AJUSTE DEL TIPO DE BATERÍAS (WET O GEL/AGM)

Según el tipo de baterías instalado (WET o GEL/AGM) efectuar el ajuste de la tarjeta electrónica de la máquina y del cargador de baterías según el procedimiento siguiente:

Ajuste de la máquina

1. Desconectar el conector de las baterías (29).
2. La regulación en fábrica de la máquina es para baterías de GEL/AGM. Si esta regulación corresponde al tipo de baterías instalado, pasar al paso 6. En caso contrario, llevar a cabo los pasos 3, 4 y 5.
3. Quitar los tornillos (A, Fig. 1), luego quitar con cuidado la tapa (B) de la caja de los componentes eléctricos (25).
4. En la tarjeta electrónica, llevar el microinterruptor (C) en la posición WET.



¡ATENCIÓN!
No tocar/desplazar el interruptor adyacente (D).

5. Instalar la tapa (B) de la caja de los componentes eléctricos y apertar los tonillos (A).

Ajuste del cargador de baterías

6. Para ajustar el cargador de baterías consultar las instrucciones en el Manual correspondiente, suministrado junto a la máquina.

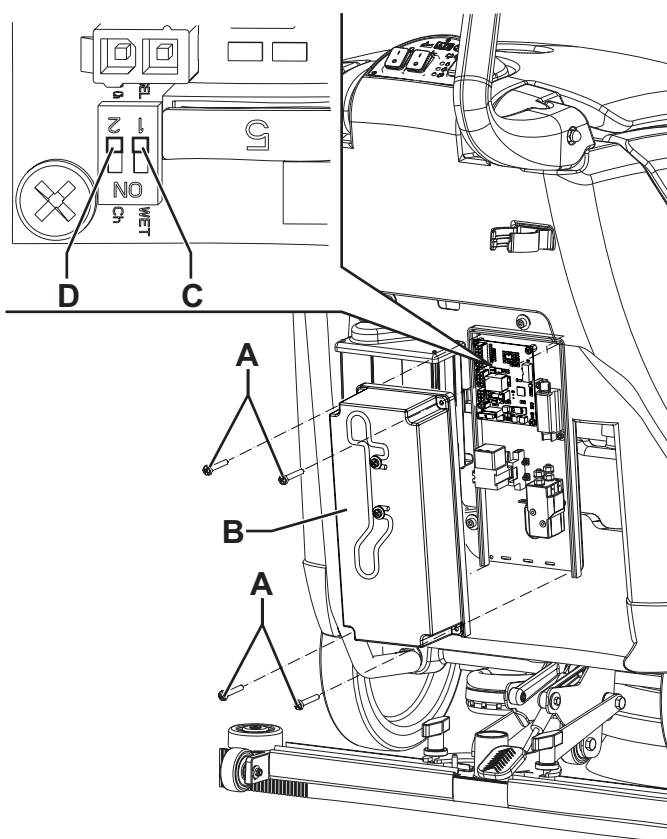


Figura 1

P100640

Instalación de las baterías

7. Desconectar el tubo de aspiración (22) de la boquilla (11).
8. Desconectar el tubo de descarga del agua de recuperación (16) del soporte (17).
9. Abrir la tapa (6).
10. Empuñar el depósito del agua de recuperación (A, Fig. 2) en el área (B) y levantarlo ligeramente.
11. Desconectar el tubo de aspiración (C) del depósito, luego quitar el depósito (A) con los tubos (D) y (E).
12. Instalar las baterías en la máquina según el esquema (51).
13. Instalar el depósito (A) efectuando los pasos de 7 a 11 en orden contrario.

Carga de las baterías

14. Cargar las baterías (véase el capítulo Mantenimiento).

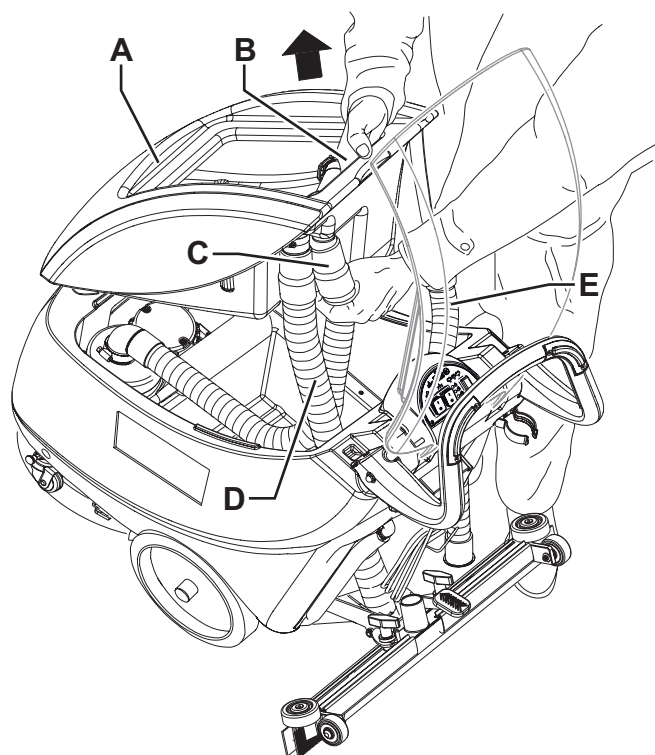


Figura 2

P100641

ANTES DE LA PUESTA EN MARCHA DE LA MÁQUINA

Instalación del cepillo o del portafiltro



NOTA

Según el tipo de suelo, es posible instalar el cepillo (54) o el portafiltro (55 y 56).

1. Activar la clavija de posicionamiento (24), luego desactivar el dispositivo de transporte/estacionamiento (23b) de la máquina.
2. Levantar el cabezal portacepillo/portafiltro (10) presionando sobre el manillar (2).
3. Colocar el cepillo (54) o el portafiltro (55 y 56) bajo del cabezal.
4. Bajar el cabezal (10) utilizando el manillar (2).
5. Pulsar el interruptor (62) en posición "1".
6. Pulsar por unos segundos los pulsadores de asenso cepillo (61) para enganchar el cepillo/portafiltro al cubo del cabezal (10). Si necesario, repetir la operación hasta enganchar el cepillo/portafiltro.

Tipos de cepillos disponibles y guía para su aplicación (sólo sugerencias)

	Modelos	MIDLITE GRIT 180	MIDGRIT 240	PROLITE	UNION MIX
Limpieza general	Hormigón				
	Suelo terraza				
	Baldosas de cerámica/de cantera				
	Mármol				
	Baldosas de vinilo				
	Baldosas de caucho				
Lustrado	Baldosas de caucho				
	Mármol				
	Baldosas de vinilo				

Instalación de la boquilla

7. Instalar la boquilla (11) y fijarla con las empuñaduras (12), luego conectar el tubo de aspiración (22) a la boquilla.

Llenado del depósito de la solución detergente



¡ADVERTENCIA!

Usar exclusivamente detergentes líquidos poco espumosos y no inflamables, que sean adecuados para este tipo de máquina.



¡ATENCIÓN!

Cuando se usan detergentes, seguir las instrucciones y advertencias indicadas en las etiquetas de los frascos. Cuando se usan detergentes, usar guantes y protecciones adecuadas.

8. Usando la boca de llenado (45) rellenar el depósito (31) con una solución detergente adecuada. No llenar completamente el depósito de la solución detergente, dejar unos centímetros del borde. Seguir las instrucciones indicadas en la etiqueta para la dilución del producto químico usado para componer la solución detergente. La temperatura de la solución detergente no debe superar +104°F (40°C).

PUESTA EN MARCHA Y PARADA DE LA MÁQUINA

Puesta en marcha de la máquina

1. Preparar la máquina como indicado en el párrafo antecedente.
2. Bajar la boquilla (11) con el pedal (19).
3. Pulsar el interruptor (62) en la posición "1" para poner en función el motor del cepillo.
4. Durante los primeros 5 segundos después de la puesta en marcha de la máquina, los LEDs (65) indican la condición de carga de las baterías. Si el LED verde se enciende, la máquina se puede usar. Si se enciende el LED amarillo o rojo es necesario cargar las baterías (véase el procedimiento en el capítulo Mantenimiento).



NOTA

Si las baterías están cargadas, la indicación de la condición de carga de las baterías se visualiza solo durante los primeros 5 segundos después de la puesta en marcha de la máquina. Si las baterías están casi o totalmente descargadas, la indicación se visualiza constantemente. En este caso, para visualizar el flujo de la solución detergente es necesario pulsar el pulsador (64).

5. Pulsar el interruptor (63) en la posición "1", para encender el motor de aspiración.
6. Pulsar el pulsador del flujo de la solución detergente (64) para cambiar la cantidad de solución suministrada. Los LEDs verdes (65) indican la cantidad de flujo como en la tabla siguiente:

LEDs encendidos (65)				
Ajuste	Flujo mínimo de la solución detergente.	Flujo medio de la solución detergente.	Flujo máximo de la solución detergente.	Flujo de la solución detergente cerrado.

7. Para empezar el trabajo de lavado/secamiento, tener las manos sobre el manillar (2) y poner en marcha la máquina pulsando los pulsadores de asenso (61).

Parada de la máquina

8. Soltar los pulsadores de asenso del cepillo (61).
9. Pulsar el interruptor (63) en la posición "0", para apagar el motor de aspiración.
10. Pulsar el interruptor (62) en la posición "0", para apagar el motor del cepillo.
11. Activar la clavija de posicionamiento (24) y activar el dispositivo de transporte/estacionamiento de la máquina (23a) para tener levantado el cepillo/portafiltro (véase la Figura 5).
12. Asegurarse de que la máquina no pueda moverse de forma autónoma.



NOTA

Cada vez que se apaga la máquina, el programa del flujo de la solución detergente vuelve automáticamente al nivel mínimo para reducir el desgaste de agua.



¡ADVERTENCIA!

En caso de necesidad inmediata, para parar la máquina y todas sus funciones, desconectar el conector de las baterías (29).

Volver a reactivar todas las funciones, reconectando el conector.

Levantar la boquilla

Levantar la boquilla como se indica a continuación:

1. Empuñar el manillar (2), bajarlo hasta que la rueda trasera (7) toque el suelo (A, Fig. 3) y luego enganchar la boquilla en posición levantada (B).

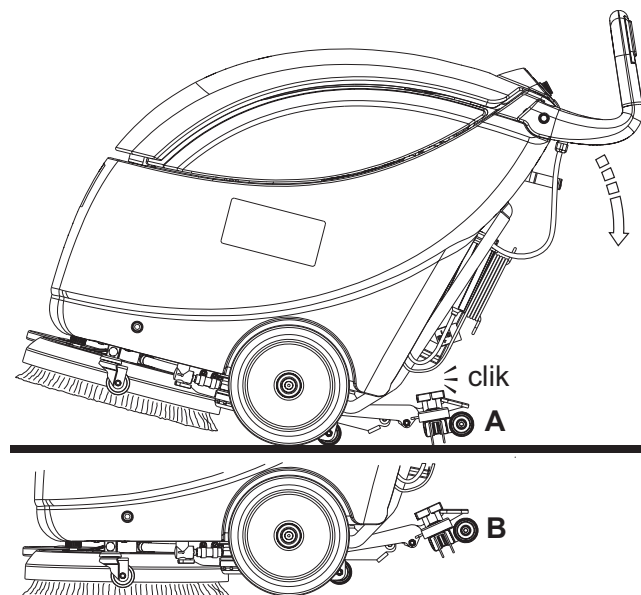


Figura 3

P100642

MÁQUINA EN FUNCIÓN (LAVADO/SECAMIENTO)

1. Poner en marcha la máquina como indicado en el párrafo precedente.
2. Teniendo ambas las manos sobre el manillar (2), maniobrar la máquina y empezar el trabajo de lavado/secamiento del suelo.
3. Si necesario, cambiar la cantidad de la solución detergente mediante el pulsador (65).

**¡ADVERTENCIA!**

Para evitar que el suelo se dañe, no utilizar el cepillo en seco y cuando la máquina se queda parada en un punto, parar la rotación del cepillo/fieltro soltando los pulsadores (61).

**¡ADVERTENCIA!**

Antes de levantar el cepillo/fieltro, parar su rotación soltando los pulsadores (61).

**NOTA**

Para un correcto lavado/secamiento de los suelos en los bordes de las paredes, Clarke sugiere acercarse con el lado derecho de la máquina como indicado en la figura 4.

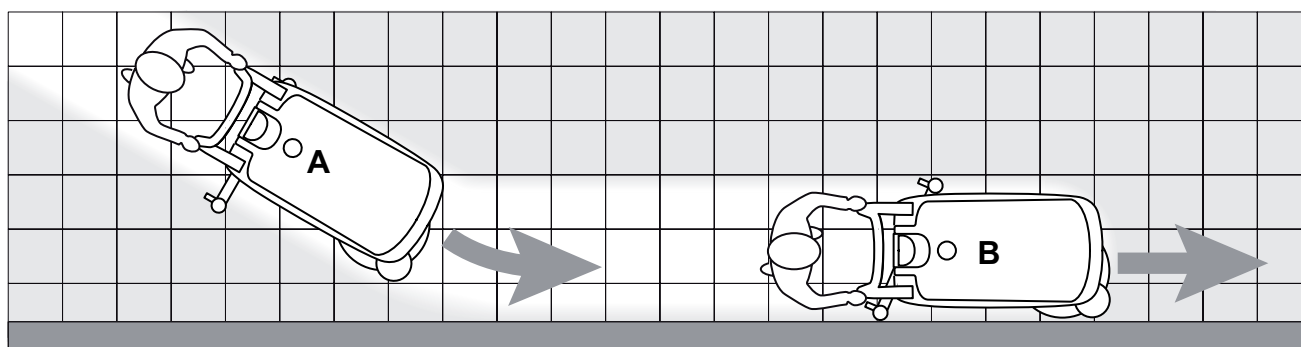


Figura 4

P100643

**¡ADVERTENCIA!**

En caso de sobrecarga del motor del cepillo/portafieltro, por causa de cuerpos extraños que obstaculizan el movimiento, o de suelos/cepillos demasiado agresivos, un sistema de seguridad bloquea el cepillo/portafieltro después de un minuto de sobrecarga continua.

La condición de sobrecarga se visualiza mediante el parpadeo simultáneo de tres LEDs (64).

Para empezar de nuevo el trabajo tras la parada del cepillo/portafieltro por causa de la sobrecarga, es necesario parar la máquina, pulsando el interruptor (62) en la posición "0". Poner en marcha la máquina pulsando el interruptor (62) en la posición "1".

Ajuste de la velocidad de marcha de la máquina

- La velocidad de marcha de la máquina cambia según el tipo de suelo y según la utilización del cepillo o del fieltro. Si necesario, es posible ajustar la velocidad de marcha mediante el procedimiento indicado en el capítulo Mantenimiento.

Descarga de las baterías durante el trabajo

- Hasta que, en los primeros 5 segundos, se enciende el LED verde de los indicadores de carga (64), las baterías permiten a la máquina de trabajar normalmente. Cuando se encienden en los LEDs amarillo o rojo, es necesario cargar la batería, porque la autonomía residua de funcionamiento de la máquina es mínima.

**¡ADVERTENCIA!**

Si se insiste en usar la máquina con las baterías descargadas, las baterías se pueden dañar y su vida útil se acorta.

TRANSPORTE/ESTACIONAMIENTO DE LA MÁQUINA

Para el transporte/estacionamiento de la máquina, efectuar los procedimientos siguientes.

- Apagar la máquina pulsando los interruptores (62) y (63) en la posición "0".
- Levantar la boquilla (59).
- Activar la clavija de posicionamiento (24) y activar el dispositivo de transporte/estacionamiento de la máquina (23a) para tener levantado el cepillo/portafiltro (Fig. 5).
- Manteniendo la máquina en esta condición, empujarla en un lugar adecuado para el transporte/estacionamiento.
- Después del trabajo, para que el cepillo/filtro no arrastre contra el suelo bañándolo, se aconseja quitarlo del cabezal mediante el procedimiento de desenganche (véase el párrafo siguiente), luego apoyarlo al soporte anterior correspondiente (43).

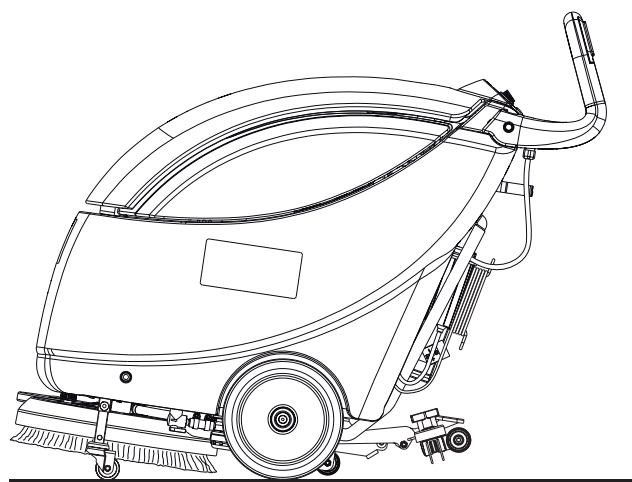


Figura 5

P100644

Remoción del cepillo/portafiltro

Desmontar los cepillos/portafiltros, mediante el procedimiento siguiente:

- Pulsar el interruptor (62) en posición "I".
- Levantar el cabezal portacepillo/portafiltro (10) presionando sobre el manillar (2).
- Pulsar 3 veces en secuencia los pulsadores (61), luego esperar que el cepillo gire y se pare desenganchándose del cubo de transmisión.
- Llevar el interruptor (62) en la posición "0" para apagar la máquina.

VACIADO DE LOS DEPÓSITOS

Un sistema de cierre automático de flotador (46) bloquea el sistema de aspiración cuando el depósito del agua de recuperación (30) está lleno.

El bloqueo del sistema de aspiración, causado por el llenado del depósito del agua de recuperación, está indicado por un aumento de los ruidos del motor del sistema de aspiración, además el suelo no se seca.

**¡ADVERTENCIA!**

Si el sistema de aspiración se apaga de forma accidental (por ejemplo por la intervención prematura del flotador durante un desplazamiento imprevisto de la máquina), para reactivarlo apagarlo girando el interruptor (63) en posición "0", luego abrir la tapa (41) del depósito del agua de recuperación y asegurarse de que el flotador al interior de la rejilla (46) haya bajado hasta el nivel del agua; por último cerrar la tapa (6) y reactivar el sistema de aspiración girando el interruptor (63) en posición "I".

Cuando el depósito del agua de recuperación (30) está lleno, vaciarlo según el procedimiento siguiente.

Vaciado del depósito del agua de recuperación

1. Llevar los interruptores (62) y (63) en la posición "0" para apagar la máquina.
2. Levantar la boquilla (59).
3. Llevar la máquina en el área de eliminación designada.
4. Activar la clavija de posicionamiento (24), luego levantar el cepillo/portafiltro activando (23a) el dispositivo de transporte/estacionamiento de la máquina.
5. Vaciar el depósito del agua de recuperación (30) mediante el tubo de descarga (16). Al final del trabajo, enjuagar el depósito con agua limpia.

Vaciado del depósito de la solución detergente

Llevar a cabo los pasos de 1 a 4.

6. Vaciar el depósito de la solución detergente (31) mediante el tubo (18).
7. Al final del trabajo, enjuagar el depósito con agua limpia.

DESPUÉS DEL USO DE LA MÁQUINA

Cuando el trabajo está acabado, antes de alejarse de la máquina:

1. Quitar el cepillo/portafiltro como indicado en el párrafo "Transporte/estacionamiento de la máquina".
2. Vaciar los depósitos (30) y (31) como indicado en el párrafo precedente.
3. Efectuar las operaciones de mantenimiento necesarias después del uso de la máquina (véase el capítulo Mantenimiento).
4. Tener la máquina en un lugar seco y limpio, con el cepillo/portafiltro y la boquilla levantados o desmontados.

REMOCIÓN DEL DEPÓSITO DEL AGUA DE RECUPERACIÓN

Para controlar o cargar las baterías de plomo (WET), o para otras operaciones, puede ser necesario quitar el depósito del agua de recuperación (30) mediante el procedimiento siguiente.

1. Controlar que los interruptores (62 y 63) estén en posición "0".
2. Vaciar el depósito del agua de recuperación (30) como indicado en el párrafo "Vaciado de los depósitos".
3. Llevar la máquina sobre un suelo llano.
4. Desconectar el tubo de aspiración (22) de la boquilla (11).
5. Desconectar el tubo de descarga del agua de recuperación (16) del soporte correspondiente (17).
6. Abrir la tapa (6).
7. Empuñar el depósito del agua de recuperación (A, Fig. 6) en el área (B) y levantarlo ligeramente.
8. Desconectar el tubo de aspiración (C) del depósito, luego quitar el depósito (A) con los tubos (D) y (E).

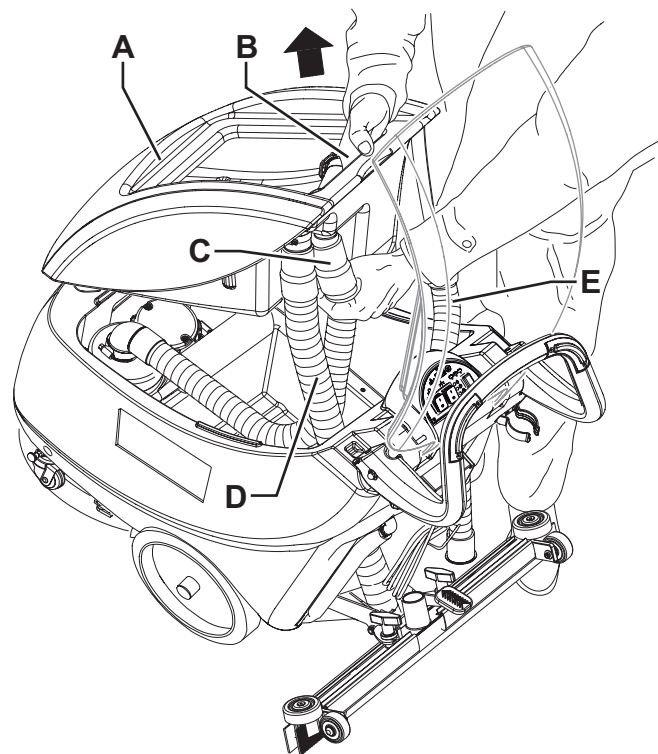


Figura 6

P100641

PERIODO DE LARGA INACTIVIDAD DE LA MÁQUINA

Si se piensa que la máquina no va a ser usada durante 30 días o más, seguir las indicaciones siguientes:

1. Llevar a cabo los procedimientos indicados en el párrafo "Después del uso de la máquina".
2. Desconectar el conector de las baterías (29).
3. Almacenar la máquina en un lugar limpio y seco.

PRIMER PERIODO DE USO

Después de las primeras 8 horas, controlar que los elementos de fijación y conexión de la máquina estén correctamente instalados. Controlar que las partes visibles no estén dañadas y que no haya pérdidas de líquidos.

MANTENIMIENTO

Un mantenimiento cuidadoso y continuo garantiza la vida útil y la seguridad de funcionamiento de la máquina. El esquema siguiente resume el mantenimiento programado. Los períodos indicados pueden variar según las condiciones de trabajos, que el encargado del mantenimiento debe establecer.



¡ATENCIÓN!

Las operaciones de mantenimiento deben efectuarse con la máquina apagada, las baterías desconectadas y el cable del cargador de baterías desconectado. Además, leer cuidadosamente todas las instrucciones del capítulo Seguridad.

Todas las operaciones de mantenimiento programado o extraordinario deben ser efectuadas por el personal calificado o por un Centro de asistencia autorizado. En este manual se detallan sólo los procedimientos de mantenimiento más sencillos y frecuentes.



NOTA

Para las otras operaciones de mantenimiento indicadas en el esquema de mantenimiento programado, véase el Manual de asistencia disponible en los Centros de asistencia.

ESQUEMA DE MANTENIMIENTO PROGRAMADO

Operación	Diaria, después del uso de la máquina	Semanaria	Semestral	Anual
Limpieza de la boquilla				
Limpieza del cepillo				
Limpieza de los depósitos y de la rejilla de aspiración				
Control y sustitución de los cauchos de la boquilla				
Limpieza del filtro de la solución detergente				
Carga de las baterías				
Control del nivel del líquido de las baterías WET				
Control de la torsión de tuercas y tornillos			(1)	
Control y sustitución de las escobillas de carbón del motor del cepillo				(2)
Control y sustitución de las escobillas de carbón del motor del sistema de aspiración				(2)

(1) Y después de las primeras 8 horas de trabajo.

(2) Mantenimiento de competencia de un Centro de asistencia autorizado Clarke.

LIMPIEZA DE LA BOQUILLA



NOTA

Para un buen secamiento, la boquilla debe estar limpia y con los cauchos en buenas condiciones.



¡ATENCIÓN!

Durante estas operaciones se aconseja usar guantes de trabajo, porque residuos cortantes podrían estar en la boquilla.

1. Llevar la máquina sobre un suelo llano.
2. Controlar que los interruptores (62 y 63) estén en posición "0".
3. Bajar la boquilla con el pedal (19).
4. Desconectar el tubo de aspiración (22) de la boquilla.
5. Aflojar las empuñaduras (12) y quitar la boquilla (11).
6. Lavar y limpiar la boquilla. Limpiar especialmente los huecos (A, Fig. 7) y el orificio de aspiración (B).
7. Controlar que los cauchos delantero (C) y trasero (D) estén en buenas condiciones, que no sean cortados o desgarrados; de lo contrario, sustituirlos (véase el procedimiento en el párrafo siguiente).
8. Montar los componentes en el orden contrario a él del desmontaje.

CONTROL Y SUSTITUCIÓN DE LOS CAUCHOS DE LA BOQUILLA

1. Limpiar la boquilla como indicado en el párrafo antecedente.
2. Controlar que los bordes de los cauchos delantero (E, Fig. 7) y trasero (I) apoyen en el suelo, por toda su longitud; de lo contrario ajustar la altura, como indicado a continuación:
 - Quitar los resortes de fijación (F), luego ajustar el caucho delantero (C) y el caucho trasero (D).
 - Instalar los resortes de fijación en los cauchos delantero y trasero.
3. Controlar que los cauchos delantero (C) y trasero (D) estén en buenas condiciones, que no estén cortados o desgarrados; de lo contrario, sustituirlos como indicado a continuación. Controlar que el borde delantero (H) del caucho trasero no esté desgastado; de lo contrario volcar el caucho mismo, llevando en su posición el otro borde (G) no desgastado. Si el otro borde está desgastado, sustituir el caucho, mediante el procedimiento siguiente:
 - Quitar los resortes de fijación (F), luego sustituir (o volcar) el caucho trasero (D).
 - Instalar los resortes de fijación en los cauchos delantero y trasero.
4. Instalar la boquilla (11) y apretar las empuñaduras (12).
5. Conectar el tubo de aspiración (22) a la boquilla (11).

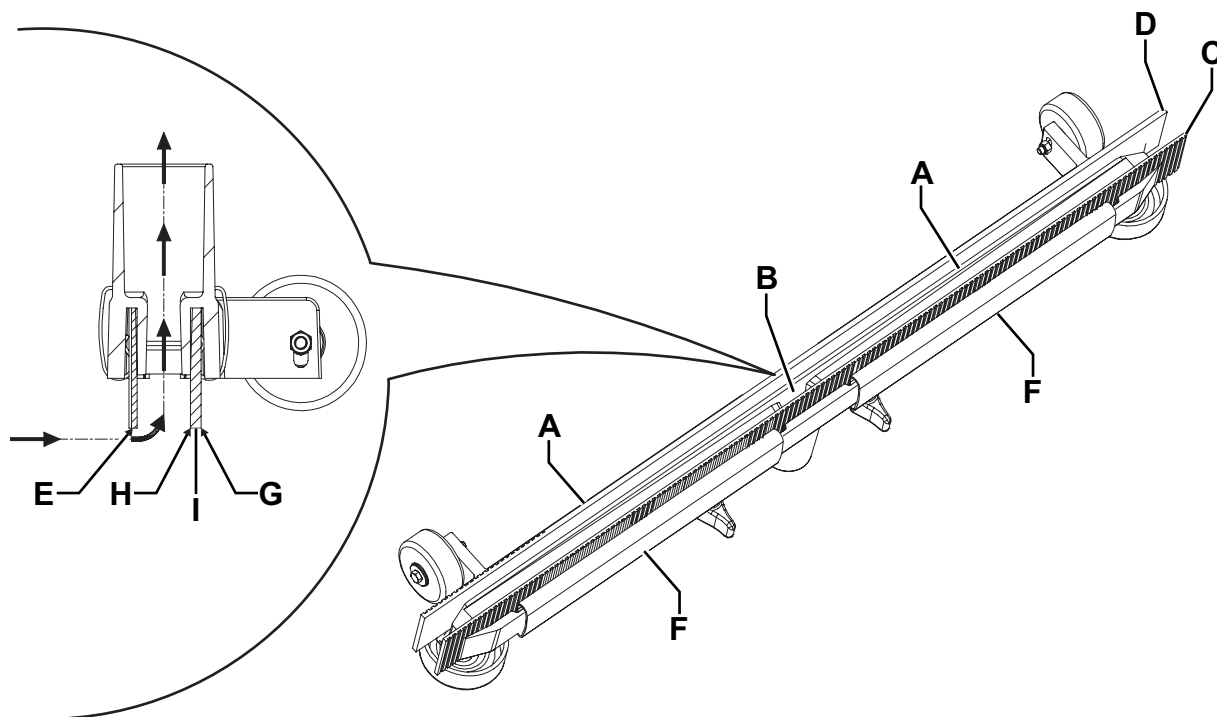


Figura 7

S310230A

LIMPIEZA DEL CEPILLO



¡ATENCIÓN!

Durante estas operaciones se aconseja usar guantes de trabajo, porque residuos cortantes podrían estar en la boquilla.

1. Quitar el cepillo/portafiltro como indicado en el párrafo “Transporte/estacionamiento de la máquina” en el capítulo Uso.
2. Activar la clavija de posicionamiento (24), luego desactivar el dispositivo de transporte/estacionamiento (23b) de la máquina.
3. Limpiar el cepillo con agua y detergente.
4. Controlar que las cerdas del cepillo no estén dañadas o excesivamente desgastadas; de lo contrario, sustituir el cepillo.

LIMPIEZA DE LOS DEPÓSITOS Y DE LA REJILLA DE ASPIRACIÓN

1. Llevar la máquina en el área de eliminación designada.
2. Controlar que los interruptores (62 y 63) estén en posición “0”.
3. Abrir la tapa del depósito del agua de recuperación (41) y lavar con agua limpia la tapa misma, los depósitos (30 y 31) y la rejilla de aspiración (46). Descargar el agua de los depósitos mediante el tubo de descarga (16) y el tubo (18).
4. Si necesario, desenganchar los retenes (B, Fig. 8), abrir la rejilla (A) y quitar el flotador (C), luego limpiar con cuidado y volver a instalar.
5. Controlar la integridad de la guarnición (D) de la tapa del depósito del agua de recuperación.



NOTA

La guarnición (D) causa la formación de vacío en el depósito, necesario para la aspiración del agua de recuperación.

Si necesario, sustituir la guarnición (D), quitándola de su alojamiento (E). Cuando se instala la nueva guarnición, posicionar la unión (F) en el área central trasera indicada en la figura.

6. Controlar que toda la superficie perimetral (G) de apoyo de la guarnición (D) no esté dañada y que sea adecuada para la estanqueidad de la guarnición misma.
7. Cerrar la tapa del depósito del agua de recuperación (6).

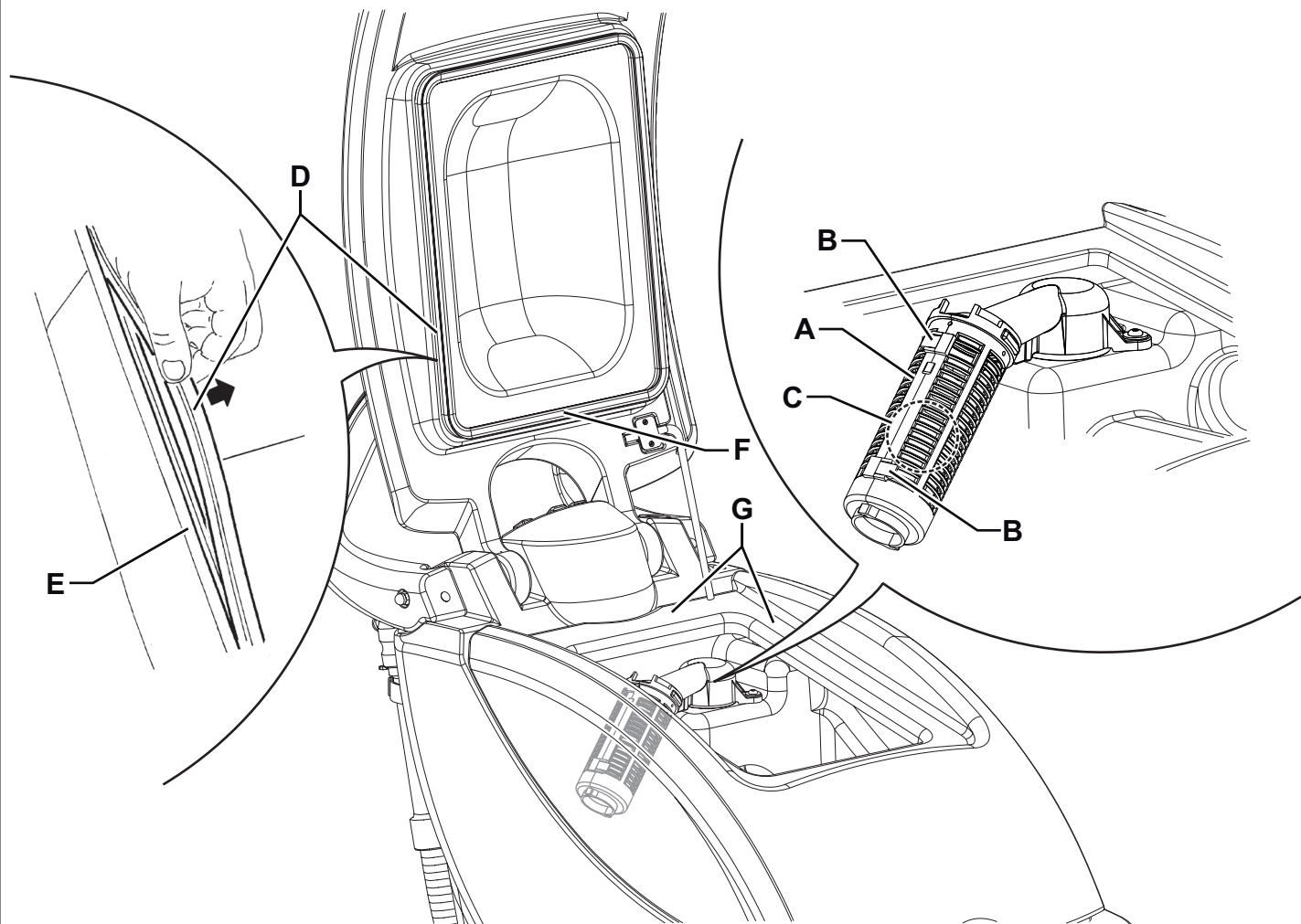


Figura 8

P100645

LIMPIEZA DEL FILTRO DE LA SOLUCIÓN DETERGENTE

1. Llevar la máquina sobre un suelo llano.
2. Controlar que los interruptores (62 y 63) estén en posición "0".
3. Cerrar el grifo de la solución detergente (A, Fig. 9) que se encuentra bajo la máquina, detrás de la rueda trasera izquierda. El grifo (A) está cerrado cuando está en la posición (B) con respecto a la tubería y está abierto cuando está en la posición (C).
4. Quitar la tapa transparente (D) con la guarnición (E), luego quitar la rejilla filtrante (F). Limpiarlas y montarlas en el soporte (G).



NOTA

Posicionar correctamente la guarnición (E) y la rejilla filtrante (F) en los alojamientos de la tapa (D) y del soporte (G).

5. Abrir el grifo (A) girándolo en posición (C).

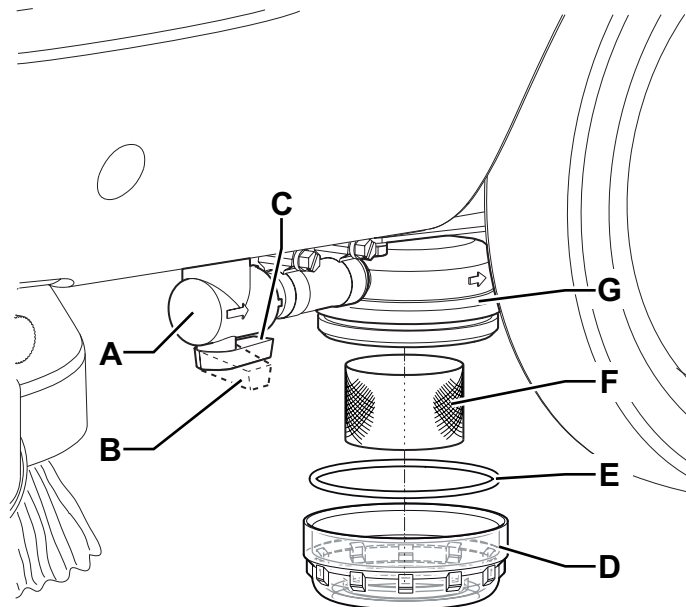


Figura 9

P100646

AJUSTE DEL AVANCE DE LA MÁQUINA



NOTA

Según el tipo de suelo, o según la utilización del cepillo o del portafiltro, la velocidad de marcha de la máquina pueden variar.

Si necesario, efectuar el ajuste relacionado mediante el procedimiento siguiente.

1. Ajustar la velocidad de avance de la máquina mediante la empuñadura (53) efectuando el procedimiento siguiente:
 - Girar en sentido antihorario para aumentar la velocidad de avance de la máquina.
 - Girar en sentido horario para disminuir la velocidad de avance de la máquina.
2. En caso de que la máquina desvíe de la dirección rectilínea de avance, se puede usar la empuñadura (52) en sentido horario o antihorario para corregir la desviación y obtener un comportamiento neutral.
3. Antes de empezar el trabajo, controlar la máquina y, si es necesario, efectuar otros ajustes.

CARGA DE LAS BATERÍAS

**NOTA**

Cargar las baterías cuando se enciende el LED amarillo o rojo (64) o al final de cada trabajo. Si se mantienen las baterías cargadas, su durabilidad aumenta.

**¡ADVERTENCIA!**

No dejar las baterías descargadas durante mucho tiempo, porque su durabilidad podría reducirse. Controlar la carga de las baterías por lo menos una vez por semana.

**¡ATENCIÓN!**

Si se usan baterías de plomo (WET), cargando las baterías se produce gas hidrógeno muy explosivo. Cargar las baterías sólo en áreas bien ventiladas y lejos de llamas libres.

No fumar cuando se cargan las baterías.

Quitar el depósito del agua de recuperación mientras que se cargan las baterías.

**¡ATENCIÓN!**

Durante la carga de las baterías WET tener mucho cuidado que el líquido de las baterías no sobresalga. Este líquido es corrosivo. En caso de contacto con la piel o los ojos lavar a conciencia con agua y consultar un médico.

1. Llevar la máquina en el área designada para la carga de las baterías.
2. Controlar que los interruptores (62 y 63) estén en posición "0".
3. Sólo para baterías WET:
 - Quitar el depósito del agua de recuperación como indicado en el capítulo "Uso".
 - Controlar el nivel de electrolito de las baterías; si necesario, añadir a través de los tapones.
 - Dejar todos los tapones de las baterías abiertos para la recarga siguiente.
 - Si necesario, limpiar la superficie superior de las baterías.
4. Conectar el cable (21) del cargador de baterías a la red eléctrica [la tensión y la frecuencia de la red deben ser compatibles con los valores del cargador de baterías, indicados en la placa del número de serie (1) de la máquina].

**NOTA**

Cuando el cargador de baterías está conectado a la red eléctrica, todas las funciones de la máquina se paran automáticamente.

Si el LED rojo o amarillo (27) del cargador de baterías está encendido, el cargador está cargando las baterías.

5. Cuando el LED verde (27) del cargador de baterías se enciende, el ciclo de carga de las baterías está acabado.
6. Una vez efectuada la carga, desconectar el cable (21) del cargador de baterías de la red eléctrica y engancharlo a su alojamiento.
7. Sólo para baterías WET:
 - Cerrar todos los tapones de las baterías.
 - Instalar el depósito del agua de recuperación como indicado en el capítulo "Uso".
8. La máquina está lista para el uso.

**NOTA**

Para informaciones suplementarias sobre el funcionamiento del cargador de baterías (26) véase el manual relacionado.

CONTROL/SUSTITUCIÓN DE LOS FUSIBLES

1. Desconectar el conector de las baterías (29).
2. Quitar los tornillos (A, Fig. 10), luego quitar la tapa (B) de la caja de los componentes eléctricos.
3. Controlar la integridad de los siguientes fusibles:
 - (C): Fusible F1 (40 A), motor cepillo
 - (D): Fusible de lama F2 (30 A), sistema de aspiración.
 - (E): Fusible de lama F3 (5 A), electroválvula y tarjeta electrónica
 - (E): Fusible de cristal F4 (20 A), sistema de desenganche cepillo
4. Sustituir el fusible, tras haber esperado el enfriamiento del componente que ha causado la interrupción.

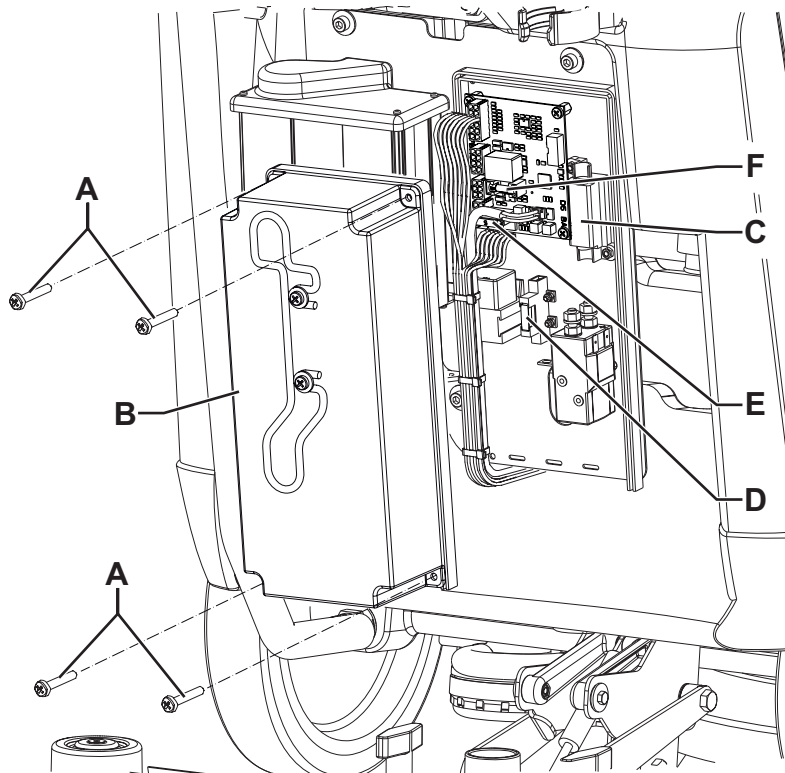


Figura 10

P100647

BÚSQUEDA AVERÍAS

Problema	Probable causa	Remedio
Los motores no se ponen en marcha; ningún LED encendido.	El conector de las baterías está desconectado.	Conectar.
	Las baterías están completamente descargadas.	Cargar.
	El fusible F3 está quemado.	Sustituir.
Los LEDs (65) parpadean simultáneamente.	Sobrecarga del motor del cepillo.	Usar cepillos menos duros o de tipo diferente.
	Cuerpos extraños (hilos enrollados, etc.) que puedan frenar la rotación del cepillo.	Limpiar el cubo del cepillo.
El motor del cepillo no funciona.	Los pulsadores (61) están rotos.	Sustituir. (*)
	El fusible F1 está quemado.	Sustituir.
	El interruptor (62) está roto.	Sustituir. (*)
El sistema de desenganche del cepillo no funciona.	El fusible F4 está quemado.	Sustituir.
El motor del sistema de aspiración no se pone en marcha.	El fusible F2 está quemado.	Sustituir.
	El interruptor (63) está roto.	Sustituir. (*)
La aspiración de agua sucia es insuficiente.	El depósito del agua de recuperación está lleno.	Vaciar.
	La rejilla de aspiración está obstruida o el flotador está cerrado.	Limpiar la rejilla y controlar el flotador.
	El tubo de aspiración está desconectado de la boquilla o está dañado.	Conectar.
	La boquilla está sucia o los cauchos de la boquilla están desgastados o dañados.	Limpiar la boquilla o sustituir los cauchos.
	La tapa del depósito del agua de recuperación no está correctamente cerrada, o la guarnición está desgastada.	Controlar y/o limpiar la superficie de apoyo o sustituir la guarnición.
	El filtro del motor del sistema de aspiración está sucio.	Limpiar.
El flujo de la solución detergente es insuficiente.	El filtro de la solución detergente está sucio.	Limpiar.
	La electroválvula de la solución detergente está averiada.	Sustituir. (*)
La boquilla causa estriados en el suelo.	Residuos bajo de los cauchos de la boquilla.	Quitar los residuos.
	Los cauchos de la boquilla están desgastados, astillados o desgarrados.	Sustituir los cauchos.

(*) Mantenimiento de competencia de un Centro de asistencia autorizado Clarke.

Para informaciones suplementarias consultar el Manual de asistencia cerca de los Centros de asistencia Clarke.

ELIMINACIÓN

Eliminar la máquina en un demoledor calificado.

Antes de eliminar la máquina es necesario quitar y separar los siguientes materiales y eliminarlos según las actuales normas de higiene ambiental:

- Baterías
- Cepillos
- Tubos y componentes de plástico
- Componentes eléctricos y electrónicos (*)

(*) En particular, para la eliminación de componentes eléctricos y electrónicos, contactar con Clarke.

LISEZ CE MANUEL

Il contient des informations importantes pour une utilisation correcte de la machine, en toute sécurité. Lisezle complètement avant de mettre la machine en marche ou d'effectuer un entretien. A défaut, vous risqueriez de vous blesser ou de blesser d'autres membres du personnel, d'endommager sérieusement la machine ou de provoquer des dégâts dans son environnement. Avant de se servir de la machine, il est indispensable d'avoir reçu une formation. Si vous-même (ou le conducteur) ne parlez pas français, veuillez demander (ou lui fournir) toutes les explications nécessaires. Des versions du manuel existent en d'autres langues. Toutes les indications de direction figurant dans ce manuel sont visualisées depuis la position du conducteur, à l'arrière de la machine. Des manuels supplémentaires peuvent être obtenus auprès de votre revendeur Clarke.

TABLE DES MATIÈRES

INTRODUCTION	50
BUT ET CONTENU DU MANUEL	50
DESTINATAIRES.....	50
CONSERVATION DU MANUEL.....	50
DONNÉES D'IDENTIFICATION	50
AUTRES MANUELS DE RÉFÉRENCE.....	50
PIÈCES DE RECHANGE ET ENTRETIEN	50
MODIFICATIONS ET AMÉLIORATIONS.....	50
CAPACITÉS OPÉRATIONNELLES	50
CONVENTIONS	50
DÉBALLAGE / LIVRAISON	51
SÉCURITÉ	51
SYMBOLES VISIBLES SUR LA MACHINE.....	51
SYMBOLES UTILISÉS DANS LE MANUEL.....	52
INSTRUCTIONS GÉNÉRALES.....	52
DESCRIPTION DE LA MACHINE	54
STRUCTURE DE LA MACHINE.....	54
GUIDON ET TABLEAU DE BORD	56
ACCESSOIRES / OPTIONS.....	57
CARACTÉRISTIQUES TECHNIQUES.....	57
SCHÉMA ÉLECTRIQUE.....	58
UTILISATION	59
CONTRÔLE / PRÉPARATION DES BATTERIES SUR UNE MACHINE NEUVE	59
CONFIGURATION SELON LE TYPE DE BATTERIES INSTALLE (WET OU GEL / AGM).....	60
AVANT LA MISE EN MARCHÉ DE LA MACHINE	61
MISE EN MARCHÉ ET ARRÊT DE LA MACHINE	62
MACHINE AU TRAVAIL (LAVAGE / SÉCHAGE)	63
TRANSPORT / STATIONNEMENT DE LA MACHINE.....	64
VIDANGE DES RÉSERVOIRS.....	64
APRÈS L'UTILISATION DE LA MACHINE	65
DÉPOSE DU RÉSERVOIR DE L'EAU DE RÉCUPÉRATION	65
INACTIVITÉ PROLONGÉE DE LA MACHINE	65
PREMIÈRE PÉRIODE D'UTILISATION.....	65
ENTRETIEN	66
PLAN D'ENTRETIEN PROGRAMMÉ.....	66
NETTOYAGE DE L'EMBOUCHURE	67
CONTRÔLE ET REMPLACEMENT DES LAMELLES EN CAOUTCHOUC DE L'EMBOUCHURE	67
NETTOYAGE DE LA BROUSSE.....	68
NETTOYAGE DES RÉSERVOIRS ET DE LA GRILLE D'ASPIRATION.....	68
NETTOYAGE DU FILTRE DE LA SOLUTION	69
RÉGLAGE DE L'AVANCE DE LA MACHINE.....	69
CHARGEMENT DES BATTERIES	70
CONTRÔLE / REMPLACEMENT DES FUSIBLES	71
DÉPISTAGE DES PANNES	72
MISE À LA FERRAILLE	72
PARTS LIST	73

INTRODUCTION



REMARQUE

Les nombres entre parenthèses se réfèrent aux composants indiqués au chapitre Description de la machine.

BUT ET CONTENU DU MANUEL

Ce manuel se propose de fournir à l'opérateur toutes les informations nécessaires afin qu'il puisse utiliser la machine correctement et la gérer de la manière la plus autonome et sûre. Il comprend des informations concernant l'aspect technique, la sécurité, le fonctionnement, l'arrêt de la machine, l'entretien, les pièces de rechange et la mise à la ferraille.

Avant d'effectuer toute opération sur la machine, les opérateurs et les techniciens qualifiés doivent lire attentivement les instructions contenues dans ce manuel. En cas de doutes sur la correcte interprétation des instructions, contacter Clarke pour avoir plus de renseignements.

DESTINATAIRES

Ce manuel s'adresse aux opérateurs aussi bien qu'aux techniciens préposés à l'entretien de la machine.

Les opérateurs ne doivent pas exécuter les opérations réservées aux techniciens qualifiés. Clarke ne répond pas des dommages dus à l'inobservance de cette interdiction.

CONSERVATION DU MANUEL

Le Manuel opérateur doit être gardé près de la machine, dans une enveloppe spéciale et, surtout, loin de liquides et de tout ce qui pourrait compromettre l'état de lisibilité.

DONNÉES D'IDENTIFICATION

Le numéro de série et le modèle de la machine sont indiqués sur la plaque (1).

La plaque indique également l'année de fabrication et le code du produit.

Ces informations sont nécessaires lors de la commande des pièces de rechange de la machine. Utiliser l'espace suivant pour noter les données d'identification de la machine.

Modèle de la MACHINE
Code du PRODUIT
Numéro de série de la MACHINE

AUTRES MANUELS DE RÉFÉRENCE

- Manuel du chargeur de batterie électronique, qui constitue une partie intégrante de ce manuel
- Catalogue de pièces de rechange (livré avec la machine)
- Manuel d'entretien (consultable seulement par les techniciens préposés auprès des Services après-vente Clarke)

PIÈCES DE RECHANGE ET ENTRETIEN

Pour toute nécessité concernant l'emploi, l'entretien et la réparation, s'adresser au personnel qualifié ou directement aux Services après-vente Clarke. N'utiliser que des pièces de rechange et accessoires d'origine.

Pour l'assistance ou la commande de pièces de rechange et d'accessoires, contacter Clarke en spécifiant toujours le modèle, le code du produit et le numéro de série.

MODIFICATIONS ET AMÉLIORATIONS

Clarke vise à un constant perfectionnement de ses produits et se réserve le droit d'effectuer des modifications et des améliorations lorsqu'elle le considère nécessaire sans l'obligation de modifier les machines précédemment vendues.

Il est entendu que toute modification et / ou addition d'accessoires doit toujours être approuvée et réalisée par Clarke.

CAPACITÉS OPÉRATIONNELLES

Les autolaveuses sont conçues et fabriquées pour le nettoyage (lavage et séchage) de sols lisses et solides, en milieux civils et industriels, en conditions de complète sécurité, par un opérateur qualifié.

Les autolaveuses ne sont pas adaptées au lavage de tapis ou de moquettes.

CONVENTIONS

Toutes les références à en avant, en arrière, avant, arrière, droite ou gauche indiquées dans ce manuel doivent être considérées comme référées à l'opérateur en position de conduite, les mains sur le guidon (2).

DÉBALLAGE / LIVRAISON

Pour déballer la machine, suivre attentivement les instructions sur l'emballage.

Lors de la livraison de la machine, contrôler attentivement que l'emballage et la machine n'ont pas été endommagés pendant le transport.

Si les dommages sont évidents, garder l'emballage de façon qu'il puisse être examiné par le transporteur qui l'a livré. Contacter immédiatement le transporteur pour remplir une demande de dommages-intérêts.

Contrôler que les composants suivants sont livrés avec la machine :

- Documentation technique :
 - Manuel d'utilisation de l'autolaveuse
 - Manuel du chargeur de batterie électronique
 - Catalogue de pièces de rechange de l'autolaveuse
- N° 1 fusible lamellaire de 40 A



AVERTISSEMENT !

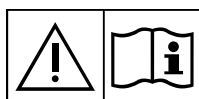
Les Produits vendus avec le présent manuel contiennent ou peuvent contenir des produits chimiques reconnus par certains gouvernements (comme l'État de Californie, par le biais de la proposition de loi d'avertissement réglementaire 65) comme provoquant des cancers, des anomalies congénitales et autres dangers pour la reproduction. Dans certains endroits (comme l'État de Californie), les acheteurs de ces Produits, qui les utilisent sur un lieu de travail ou dans un espace public, ont l'obligation d'apposer certains avis, avertissements ou informations concernant les produits chimiques qui sont ou peuvent être contenus dans les Produits dans ces lieux ou aux alentours de ces lieux de travail. Il incombe à l'acheteur de connaître les dispositions de, et de respecter, toutes les lois et réglementations ayant trait à l'utilisation de ces Produits au sein de tels environnements. Le Fabricant décline toute responsabilité d'informer les acheteurs concernant des exigences spécifiques qui peuvent s'appliquer à l'utilisation des Produits dans de tels environnements.

SÉCURITÉ

On utilise les symboles suivants pour signaler les conditions de danger potentielles. Lire attentivement ces informations et prendre les précautions nécessaires pour protéger les personnes et les choses.

Pour éviter tout accident, la collaboration de l'opérateur est essentielle. Aucun programme de prévention des accidents du travail ne peut résulter efficace sans la totale collaboration de la personne directement responsable du fonctionnement de la machine. La plupart des accidents qui peuvent survenir dans une entreprise, pendant le travail ou les déplacements, sont dus à l'inobservance des plus simples règles de prudence. Un opérateur attentif et prudent est la meilleure garantie contre les accidents du travail et se révèle indispensable pour compléter n'importe quel programme de prévention.

SYMBOLES VISIBLES SUR LA MACHINE



ATTENTION !

Lire attentivement toutes les instructions avant toute opération dans la machine.



ATTENTION !

Ne pas laver la machine avec des jets d'eau directs ou sous pression.



ATTENTION !

Ne pas utiliser la machine sur des surfaces ayant une pente supérieure aux valeurs indiquées.

SYMBOLES UTILISÉS DANS LE MANUEL



DANGER !

Indique une situation dangereuse exposant l'opérateur au risque de blessures graves, voire mortelles.



ATTENTION !

Indique une situation exposant les personnes au risque de blessures.



AVERTISSEMENT !

Indique un avertissement ou une remarque sur des fonctions clé ou utiles.

Prêter la plus grande attention aux segments de texte marqués par ce symbole.



REMARQUE

Indique une remarque sur des fonctions clé ou utiles.



CONSULTATION

Indique la nécessité de consulter le Manuel opérateur avant toute opération.

INSTRUCTIONS GÉNÉRALES

Les avertissements et précautions spécifiques suivants informent sur les potentiels dangers de dommages matériels ou blessures.



DANGER !

- *Avant d'effectuer toute opération de nettoyage, d'entretien et de remplacement des composants de la machine, porter les interrupteurs sur « 0 » et débrancher le connecteur des batteries.*
- *Cette machine doit être utilisée uniquement par le personnel adéquatement formé.*
- *Ne pas porter de bijoux quand on travaille près de composants électriques.*
- *Ne pas travailler sous la machine soulevée, sans des supports fixes de sécurité convenables.*
- *Ne pas opérer avec cette machine en présence de poudres, liquides ou vapeurs nuisibles, dangereux, inflammables et / ou explosifs : la machine ne doit pas être utilisée pour ramasser des matériaux dangereux.*
- *Si des batteries au plomb (WET) sont installées dans la machine, tenir les étincelles, les flammes et les matériaux fumants loin des batteries. Les batteries produisent des gaz potentiellement explosifs pendant l'utilisation ordinaire.*
- *Si des batteries au plomb (WET) sont installées dans la machine, le chargement des batteries produit un gaz hydrogène très explosif. Déposer le réservoir de l'eau de récupération pendant le cycle de rechargement des batteries et effectuer cette opération dans un endroit bien aéré et loin de flammes libres.*



ATTENTION !

- *Avant d'effectuer toute opération d'entretien / réparation, lire attentivement toutes les instructions qui concernent l'entretien / réparation.*
- *Avant d'utiliser le chargeur de batterie, s'assurer que la fréquence et la tension indiquées sur la plaque avec numéro de série coïncident avec la tension du réseau.*
- *Ne pas utiliser le câble du chargeur de batterie pour tirer ou transporter la machine et ne pas utiliser le câble comme poignée. Ne pas fermer de porte sur le câble du chargeur de batterie, ne pas tirer le câble sur des surfaces ou coins tranchants. Ne pas faire passer la machine sur le câble du chargeur de batterie.*
- *Tenir le câble du chargeur de batterie éloigné des surfaces chaudes.*
- *Ne pas charger les batteries de la machine si le câble du chargeur ou la fiche sont endommagés. Si la machine ne fonctionne pas correctement, si elle est endommagée, laissée à l'extérieur ou tombée dans l'eau, l'amener auprès d'un Service après-vente agréé.*
- *Pour réduire le risque d'incendie, chocs électriques ou blessures, ne pas laisser la machine sans surveillance lorsqu'elle est branchée au réseau électrique. Débrancher le câble du chargeur de batterie du réseau électrique avant d'effectuer toute opération d'entretien.*
- *Ne pas fumer pendant le chargement des batteries.*
- *Protéger toujours la machine du soleil, de la pluie et d'autres intempéries, pendant le fonctionnement et en état d'arrêt. Garder la machine dans un endroit couvert et sec : elle a été conçue pour l'utilisation à sec, par conséquent elle ne doit pas être utilisée ou gardée dehors, dans des conditions d'humidité.*
- *Avant d'utiliser la machine, fermer tous les volets et/ou carters comme indiqué sur le Manuel d'utilisation.*
- *La machine ne doit être utilisée par des personnes (y compris les enfants) aux capacités physiques, mentales et sensorielles limitées ou dépourvues de l'expérience ou de la formation que sous la supervision ou avec les directives d'une personne responsable de leur sécurité.*
- *Les enfants doivent être surveillés afin de s'assurer qu'ils ne jouent pas avec la machine.*
- *Faire attention lorsque la machine est utilisée à proximité des enfants.*

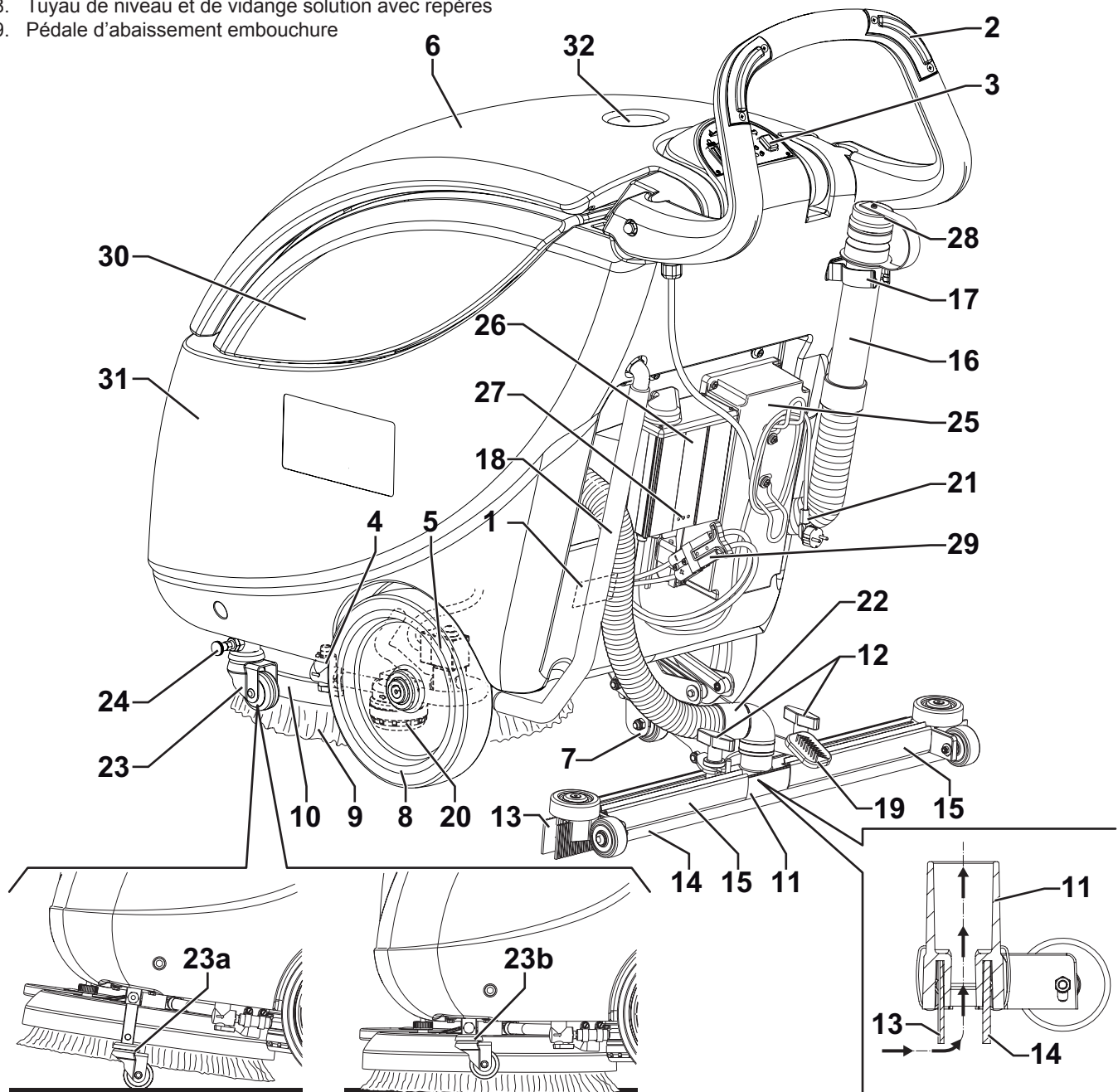
**ATTENTION !**

- *Ne pas utiliser à des fins autres que celles prévues dans ce manuel. Utiliser seulement les accessoires recommandés par Clarke.*
- *Inspecter la machine avec soin avant de l'utiliser et vérifier toujours que tous les composants ont été installés avant de mettre la machine en service. L'utilisation de la machine qui n'est pas installée parfaitement peut provoquer des lésions aux personnes et endommager les équipements.*
- *Prendre les précautions convenables afin que les cheveux, les bijoux, les parties non adhérentes des vêtements ne soient pas capturés par les parties en mouvement de la machine.*
- *Ne pas utiliser la machine sur des surfaces ayant une pente supérieure à la valeur indiquée sur la machine même.*
- *Ne pas utiliser la machine sur des surfaces en pente.*
- *Afin de ne pas compromettre la stabilité, ne pas incliner la machine d'un angle supérieur à la valeur indiquée sur la machine même.*
- *Ne pas utiliser la machine dans des endroits très poussiéreux.*
- *Utiliser la machine seulement dans des endroits bien illuminés.*
- *Pendant l'utilisation de la machine, faire attention à sauvegarder l'intégrité des personnes et des choses.*
- *Ne pas heurter contre des étagères ou des échafaudages, en particulier en cas de danger de chute d'objets.*
- *Ne pas poser de conteneurs de liquides sur la machine, utiliser le porte-boissons spécial.*
- *La température de travail de la machine doit être comprise entre +32°F et 104°F (0°C et +40°C).*
- *La température de stockage de la machine doit être comprise entre +32°F et 104°F (0°C et +40°C).*
- *L'humidité doit être comprise entre 30% et 95%.*
- *Pendant l'utilisation de détergents pour le nettoyage des sols, suivre toujours les instructions et les avertissements indiqués sur les étiquettes des flacons.*
- *Avant la manipulation de détergents pour le nettoyage des sols, mettre les gants et les vêtements de protection adéquats.*
- *Ne pas utiliser la machine comme moyen de transport.*
- *Ne pas faire travailler la brosse / disque lorsque la machine est arrêtée pour ne pas endommager le sol.*
- *En cas d'incendie, il est préférable d'utiliser un extincteur à poudre, plutôt qu'un extincteur à eau.*
- *Ne pas altérer pour aucune raison les protections prévues pour la machine, respecter scrupuleusement les instructions prévues pour l'entretien ordinaire.*
- *Ne pas laisser entrer d'objets dans les ouvertures. Ne pas utiliser la machine si les ouvertures sont obstruées. Garder les ouvertures de la machine libres de poussière, filasse, poils et tout autre corps étranger à même de réduire le flux d'air.*
- *Ne pas enlever ou altérer les plaques apposées sur la machine.*
- *La machine n'est pas approuvée pour l'utilisation sur la voie publique.*
- *Faire attention pendant les déplacements de la machine en conditions de températures inférieures au point de congélation. L'eau présente dans le réservoir de l'eau de récupération ou dans les tuyaux pourrait se congeler et endommager sérieusement la machine.*
- *Utiliser les brosses et les disques livrés avec la machine et ceux spécifiés dans le Manuel d'utilisation. L'utilisation de brosses ou disques différents peut compromettre la sécurité.*
- *S'assurer que les éventuelles anomalies de fonctionnement de la machine ne dépendent pas du manque d'entretien. En cas contraire, demander l'intervention du personnel autorisé ou d'un Service après-vente autorisé.*
- *En cas de remplacement de pièces, demander les pièces de rechange D'ORIGINE à un Concessionnaire ou Revendeur autorisé.*
- *Afin de garantir la sécurité et le bon fonctionnement de la machine, faire effectuer l'entretien programmé prévu au chapitre spécifique de ce manuel par du personnel autorisé ou par un Service après-vente autorisé.*
- *Ne pas laver la machine avec des jets d'eau directs ou sous pression ou avec des substances corrosives.*
- *Lors de la mise à la ferraille, la machine ne doit pas être abandonnée par la présence de matériaux toxiques (batteries, etc.), sujets à des lois qui prévoient l'élimination auprès de centres spéciaux (voir le chapitre Mise à la ferraille).*

DESCRIPTION DE LA MACHINE

STRUCTURE DE LA MACHINE

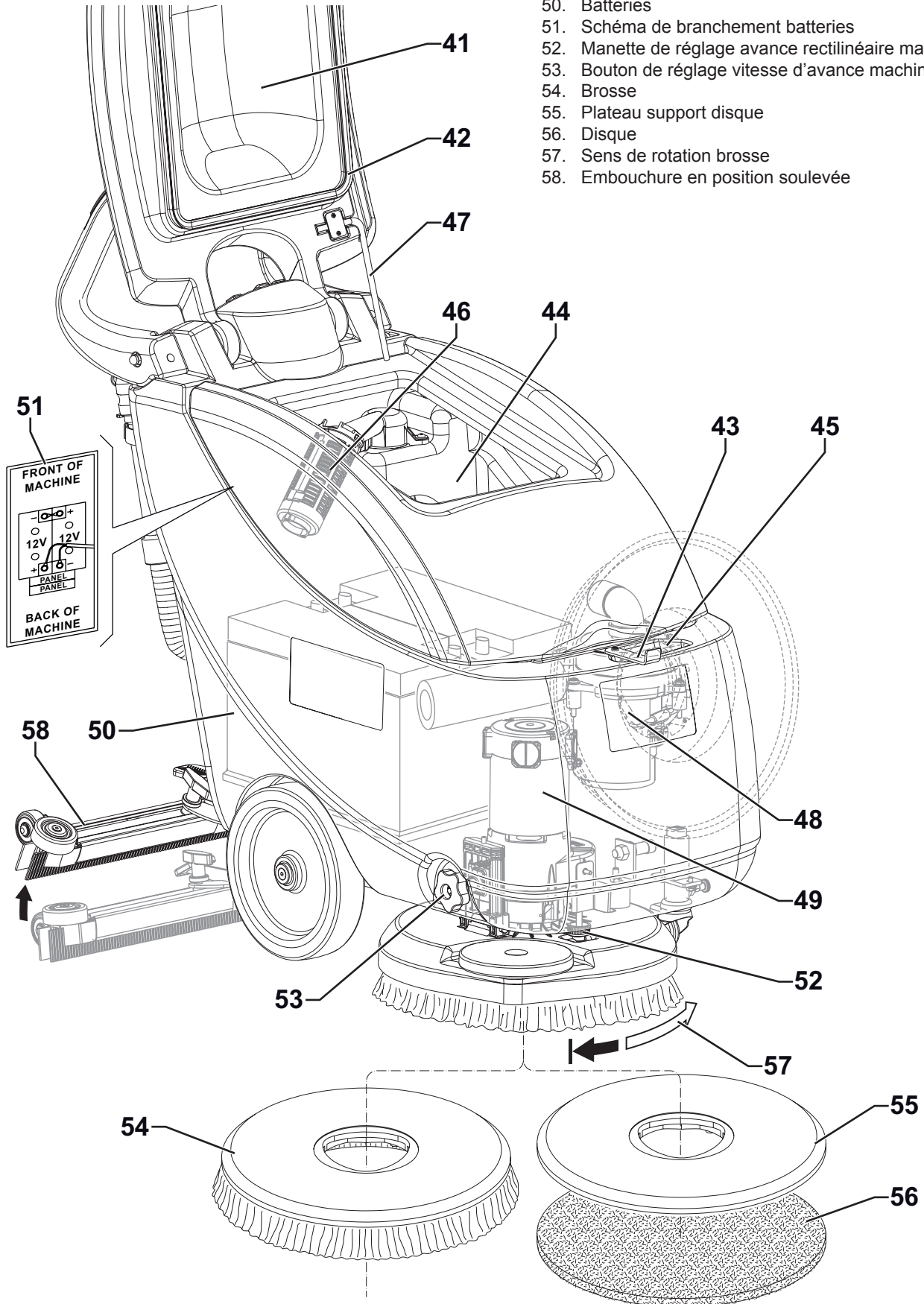
- | | |
|--|---|
| 1. Plaque avec numéro de série / données techniques / marquage de conformité | 20. Filtre de solution |
| 2. Guidon | 21. Câble chargeur de batterie |
| 3. Tableau de bord | 22. Tuyau d'aspiration embouchure |
| 4. Robinet ouverture / fermeture flux de solution | 23. Roue de transport / stationnement |
| 5. Électrovanne solution | 23a. Roue de transport / stationnement activée |
| 6. Couvercle réservoir eau de récupération | 23b. Roue de transport / stationnement désactivée |
| 7. Roue arrière d'appui embouchure soulevé | 24. Goupille de positionnement roue de transport / stationnement |
| 8. Roues centrales sur essieu fixe | 25. Boîtier électrique |
| 9. Brosse / disque | 26. Chargeur de batterie |
| 10. Tête porte-brosse / plateau support disque | 27. Témoins lumineux chargeur de batterie |
| 11. Embouchure | 28. Bouchon de vidange eau de récupération |
| 12. Boutons de fixation embouchure | 29. Connecteur (rouge) de branchement batteries. Ce connecteur a aussi la fonction D'URGENCE, pour l'arrêt immédiat de toutes les fonctions |
| 13. Lamelle en caoutchouc avant embouchure | 30. Réservoir eau de récupération |
| 14. Lamelle en caoutchouc arrière embouchure | 31. Réservoir solution |
| 15. Ressorts de fixation lamelles en caoutchouc embouchure | 32. Porte-boissons |
| 16. Tuyau de vidange eau de récupération | |
| 17. Support tuyau de vidange eau de récupération | |
| 18. Tuyau de niveau et de vidange solution avec repères | |
| 19. Pédale d'abaissement embouchure | |



P100636

STRUCTURE DE LA MACHINE (suite)

- 41. Couvercle réservoir eau de récupération (ouvert)
- 42. Joint d'étanchéité couvercle réservoir eau de récupération
- 43. Support avant brosse / plateau support disque
- 44. Compartiment réservoir eau de récupération
- 45. Goulotte de remplissage réservoir solution
- 46. Grille d'aspiration avec fermeture automatique à flotteur
- 47. Tige de sécurité du couvercle ouvert
- 48. Moteur système d'aspiration
- 49. Moteur brosse / plateau support disque
- 50. Batteries
- 51. Schéma de branchement batteries
- 52. Manette de réglage avance rectilinéaire machine
- 53. Bouton de réglage vitesse d'avance machine
- 54. Brosse
- 55. Plateau support disque
- 56. Disque
- 57. Sens de rotation brosse
- 58. Embouchure en position soulevée

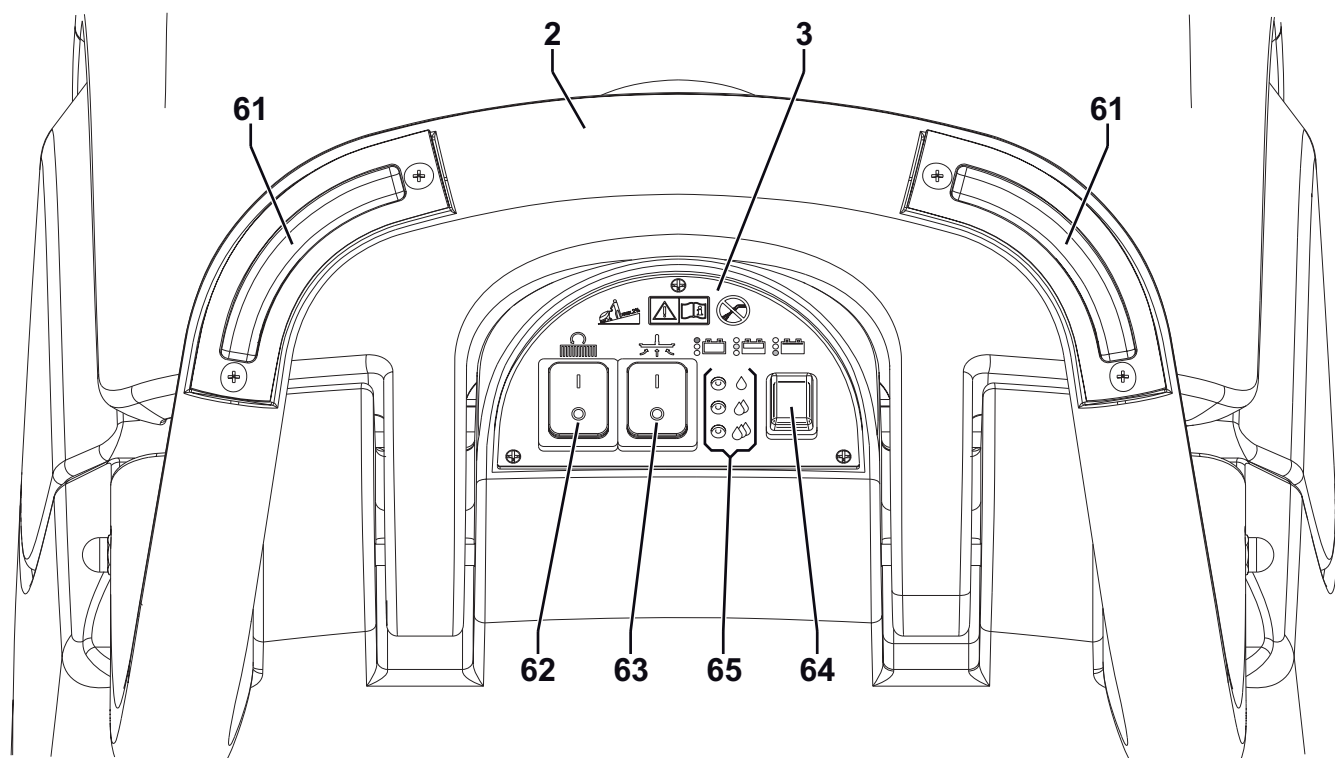


GUIDON ET TABLEAU DE BORD

61. Boutons-poussoirs de validation rotation brosse
 62. Bouton-poussoir de démarrage moteur brosse/plateau support disque
 63. Interrupteur de mise en marche du système d'aspiration
 64. Bouton-poussoir du flux de solution. Y appuyer pour modifier la quantité jusqu'à obtenir la valeur désirée, comme indiqué par les DELS (65).
65. DELS avec deux fonctions :
- Témoins indiquant la quantité de flux de solution
 - 1 DEL allumé : Flux minimum de solution.
 - 2 DELS allumés : Flux intermédiaire de solution.
 - 3 DELS allumés : Flux maximum de solution.
 - DELS éteints : Flux de solution fermé.
 - Témoins indiquant l'état de charge des batteries
 - DEL vert - batteries chargées
 - DEL jaune - batteries presque déchargées
 - DEL rouge - batteries déchargées

**REMARQUE**

Si les batteries sont chargées, la signalisation des DELS de l'état de charge des batteries n'est affichée que dans les 5 premières secondes après le démarrage de la machine. Quand les batteries sont presque déchargées ou déchargées, la signalisation est affichée en continu. Dans ce cas, appuyer sur le bouton-poussoir (64) pour visualiser le flux de solution.



P100638

ACCESSOIRES / OPTIONS

Outre les composants présents dans le modèle standard, la machine peut être équipée des accessoires optionnels suivants, selon l'emploi spécifique de la machine :

- Batteries
- Brosses/disques de matériaux différents par rapport aux brosses/disques standard

Pour de plus amples informations relatives aux accessoires optionnels susmentionnés, s'adresser au revendeur agréé.

CARACTÉRISTIQUES TECHNIQUES

Modèle	Vantage 17 B
Capacité réservoir solution	8.2 US gal (31 litres)
Capacité réservoir eau de récupération	7.9 US gal (30 litres)
Longueur machine	43.9 in (1,115 mm)
Largeur machine avec embouchure	28.3 in (720 mm)
Largeur machine sans embouchure	22.4 in (570 mm)
Hauteur machine	41.3 in (1,050 mm)
Rayon minimum de braquage	29.5 in (750 mm)
Largeur de nettoyage	17 in (430 mm)
Diamètre roues sur essieu fixe	9.8 in (250 mm)
Pression roues au sol	290 psi (2 N/mm ²)
Diamètre brosse / disque	17 in (430 - 432 mm)
Pression brosse / disque sur le sol avec réservoir plein et embouchure baissé	66 lb (30 kg)
Flux de solution min / max	0.1 / 0.42 gpm (0.4 / 1.6 litres/min)
Pression acoustique à l'oreille de l'opérateur (ISO 11201, ISO 4871, EN 60335-2-72) (LpA)	65 dB(A) ± 3 dB(A)
Puissance acoustique émise par la machine (ISO 3744, ISO 4871, EN 60335-2-72) (LwA)	89 dB(A)
Niveau de vibrations au bras de l'opérateur (ISO 5349-1, EN 60335-2-72)	< 98.4 in/s ² (< 2.5 m/s ²)
Pente maximum d'usage	2%
Degré de protection IP	X4
Classe de protection (électrique)	III
Puissance moteur système d'aspiration	0.4 hp (300 W)
Aspiration	0.0117 MPa (1,200 mmH ₂ O)
Puissance moteur brosse / plateau support disque	0.6 hp (450 W)
Vitesse moteur brosse / plateau support disque	155 tr/mn
Puissance totale absorbée	29 A (0.75 kW)
Dimensions logement batteries	13.7x17.7x10.2 in (350x350x260 mm)
Tension batteries	24 V
Chargeur de batterie	100-240 V C.A.
Autonomie de travail (batteries standard)	~ 1.5 h
Poids sans batteries et avec réservoirs vides	126 lb (57 kg)
Poids maximum en ordre de marche (PTC)	293 lb (133 kg)
Poids d'expédition	198 lb (90 kg)

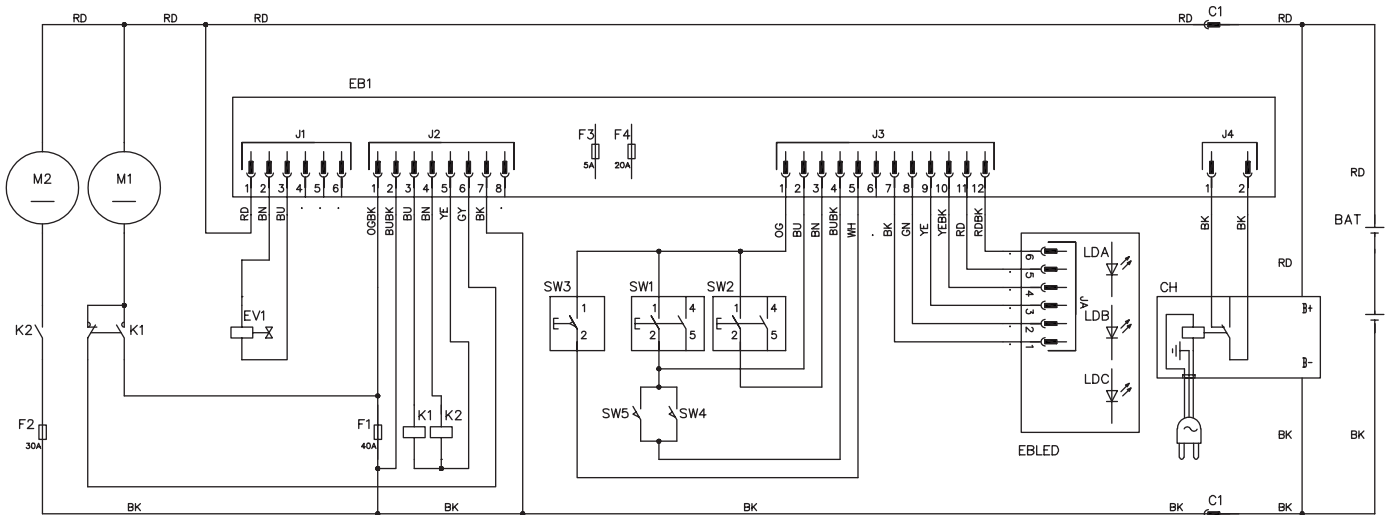
SCHÉMA ÉLECTRIQUE

Légende

BAT	Batterie 24 V
C1	Connecteur de batterie
CH	Chargeur de batterie
EB1	Carte électronique de contrôle fonctions
EBLED	Carte DEL
EV1	Électrovanne solution
F1	Fusible moteur brosse (40 A)
F2	Fusible moteur aspirateur (30 A)
F3	Fusible circuits de signaux (5 A)
F4	Fusible déclenchement brosse (20 A)
K1	Télérupteur brosse
K2	Relais aspirateur
LDA	DEL vert
LDB	DEL vert / jaune
LDC	DEL vert / rouge
M1	Moteur brosse
M2	Moteur système d'aspiration
SW1	Interrupteur brosse
SW2	Interrupteur système d'aspiration
SW3	Interrupteur débit solution
SW4,5	Interrupteur de validation brosse

Codes des couleurs

BK	Noir
BU	Bleu
BN	Marron
GN	Vert
GY	Gris
OG	Orange
PK	Rose
RD	Rouge
VT	Violet
WH	Blanc
YE	Jaune



P100656

UTILISATION



ATTENTION !

Des plaques adhésives appliquées sur certains points de la machine indiquent :

- **DANGER**
- **ATTENTION**
- **AVERTISSEMENT**
- **CONSULTATION**

Lors de la lecture de ce manuel, l'opérateur doit bien comprendre le sens des symboles illustrés sur les plaques (voir le paragraphe Symboles visibles sur la machine).

Ne pas couvrir les plaques et les remplacer immédiatement en cas d'endommagement.

CONTRÔLE / PRÉPARATION DES BATTERIES SUR UNE MACHINE NEUVE



ATTENTION !

Les composants électriques de la machine peuvent être sérieusement endommagés si les batteries ne sont pas installées et branchées correctement. Les batteries doivent être installées par le personnel qualifié.

Configurer la carte électronique de fonctions et le chargeur de batterie intégré selon le type de batteries utilisé (WET ou GEL).

Contrôler les batteries avant l'installation pour vérifier qu'elles ne sont pas endommagées.

Débrancher le connecteur des batteries et la fiche du chargeur de batterie.

Déplacer les batteries avec attention.

Installer les protections des bornes des batteries équipées avec la machine.

La machine requiert deux batteries de 12 V, branchées selon le schéma (51).

La machine peut être livrée selon les modèles suivants :

Batteries au GEL / AGM installées dans la machine et prêtes à l'utilisation

1. S'assurer que le connecteur des batteries (29) est branché.
2. Démarrer la machine (voir le paragraphe « Mise en marche et arrêt de la machine »). Si le DEL vert des indicateurs de l'état de charge (64) s'allume, les batteries sont prêtes à l'utilisation.
3. Si le DEL jaune ou rouge des indicateurs de l'état de charge (64) s'allume, il est nécessaire de charger les batteries (voir le paragraphe correspondant au chapitre Entretien).

Sans batteries

1. Acheter des batteries adéquates [voir le paragraphe « Caractéristiques techniques » et le schéma (51)]. Pour le choix et l'installation, s'adresser à des revendeurs de batteries qualifiés.
2. Configurer la machine et le chargeur de batterie (si équipé) selon le type de batteries installé, comme indiqué au paragraphe suivant.

CONFIGURATION SELON LE TYPE DE BATTERIES INSTALLE (WET OU GEL / AGM)

En fonction du type de batteries choisi (WET ou GEL / AGM), configurer la carte électronique de la machine et du chargeur de batterie à bord en procédant comme suit :

Configuration de la machine

1. Débrancher le connecteur (29) des batteries.
2. La configuration en usine de la machine est pour batteries au GEL / AGM. Si cette configuration correspond au type de batteries acheté, passer à l'étape 6. Dans le cas contraire, effectuer aussi les étapes 3, 4 et 5.
3. Enlever les vis (A, Fig. 1) et sortir avec soin le couvercle (B) du boîtier électrique (25).
4. Sur la carte électronique porter le microinterrupteur (C) dans la position WET.



ATTENTION !

Ne pas bouger / déplacer l'interrupteur adjacent (D).

5. Reposer le couvercle (B) du boîtier électrique et visser les vis (A).

Configuration du chargeur de batterie

6. Pour la configuration du chargeur de batterie, consulter les instructions dans le Manuel livré avec la machine.

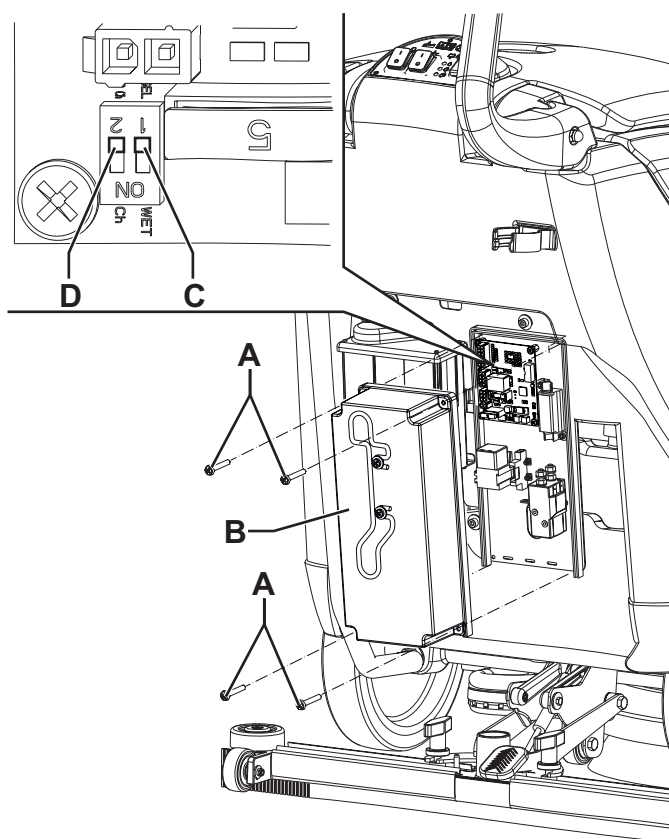


Figure 1

P100640

Installation des batteries

7. Déconnecter le tuyau d'aspiration (22) de l'embouchure (11).
8. Déconnecter le tuyau de vidange de l'eau de récupération (16) du support (17).
9. Ouvrir le couvercle (6).
10. Saisir le réservoir de l'eau de récupération (A, Fig. 2) dans la zone (B) et le soulever légèrement.
11. Déconnecter le tuyau d'aspiration (C) du réservoir, puis déposer le réservoir (A) avec les tuyaux correspondants (D) et (E).
12. Installer les batteries dans la machine selon le schéma de branchement (51).
13. Remonter le réservoir (A) en exécutant les étapes de 7 à 11 dans l'ordre inverse.

Chargement des batteries

14. Charger les batteries (voir la procédure dans le paragraphe correspondant au chapitre Entretien).

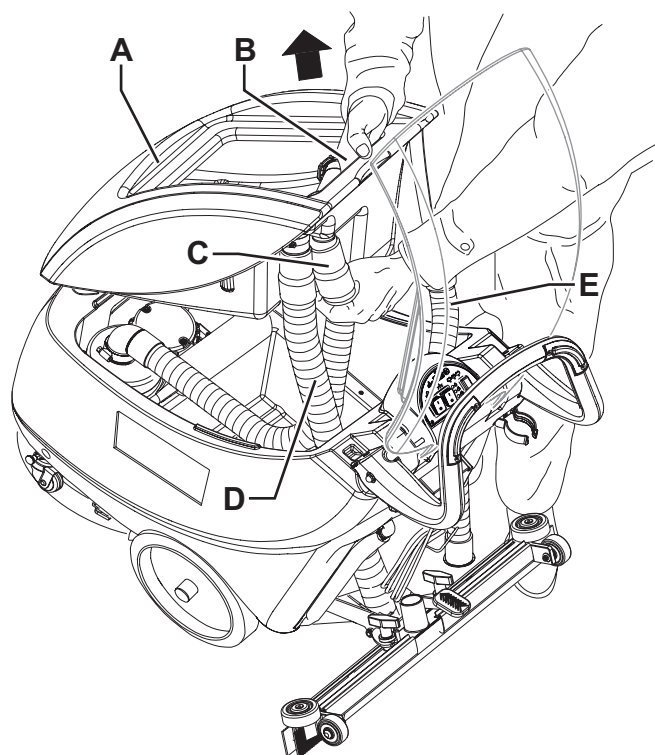


Figure 2

P100641

AVANT LA MISE EN MARCHÉ DE LA MACHINE

Installation de la brosse ou du plateau support disque



REMARQUE

Selon le type de sol à nettoyer, il est possible d'installer la brosse (54) ou le plateau support disque (55 et 56).

1. Reposer la goupille de positionnement (24), puis désactiver le dispositif de transport / stationnement (23b) de la machine.
2. Soulever la tête porte-brosse / plateau support disque (10) en faisant levier sur le guidon (2).
3. Positionner la brosse (54) ou le plateau support disque (55 et 56) sous la tête.
4. Baisser la tête (10) au moyen du guidon (2).
5. Porter l'interrupteur (62) sur la position « I ».
6. Appuyer sur le bouton-poussoir de rotation (61) en même temps pendant quelques secondes, pour obtenir l'accrochage de la brosse / plateau support disque au moyeu de la tête (10). Si besoin est, répéter la procédure jusqu'à l'accrochage de la brosse / plateau support disque.

Suggestions pour le choix et l'application des brosses

	Modèles	MIDLITE GRIT 180	MIDGRIT 240	PROLITE	UNION MIX
Nettoyage général	Béton				
	Pavage terrasse				
	Carreaux de céramique / de carrière				
	Marbre				
	Carreaux de vinyle				
	Carreaux de caoutchouc				
Polissage	Carreaux de caoutchouc				
	Marbre				
	Carreaux de vinyle				

Installation de l'embouchure

7. Installer l'embouchure (11) et la fixer avec les boutons (12), puis connecter le tuyau d'aspiration (22) à l'embouchure.

Remplissage du réservoir de solution



AVERTISSEMENT !

Utiliser exclusivement des détergents liquides peu mousseux et non inflammables, adéquats pour les machines utilisées.



ATTENTION !

Pendant l'utilisation de détergents pour le nettoyage des sols, suivre toujours les instructions et les avertissements indiqués sur les étiquettes des flacons.

Avant la manipulation de détergents pour le nettoyage des sols, mettre les gants et les vêtements de protection adéquats.

8. Au moyen de la goulotte (45), remplir le réservoir (31) avec une solution adéquate au travail à effectuer. Ne jamais remplir complètement le réservoir de solution, mais laisser toujours quelques pouces du bord. Suivre toujours les instructions de dilution sur l'étiquette du conteneur du produit chimique utilisé pour la solution. La température de la solution ne doit jamais être supérieure à 104° F (40°C).

MISE EN MARCHÉ ET ARRÊT DE LA MACHINE

Mise en marche de la machine

1. Préparer la machine comme indiqué au paragraphe précédent.
2. Baisser l'embouchure (11) au moyen de la pédale (19).
3. Pousser l'interrupteur (62) en position « I » pour mettre le moteur de la brosse en marche.
4. Dans les 5 premières secondes après le démarrage de la machine, les DELS (65) indiquent l'état de charge des batteries. Si le DEL vert s'allume, la machine est prête à l'utilisation. Si le DEL jaune ou rouge s'allume, il est nécessaire de charger les batteries (voir le paragraphe correspondant au chapitre Entretien).



REMARQUE

Si les batteries sont chargées, la signalisation de l'état de charge des batteries n'est affichée que dans les 5 premières secondes après le démarrage de la machine. Quand les batteries sont presque déchargées ou déchargées, la signalisation est affichée en continu. Dans ce cas, appuyer sur le bouton-poussoir (64) pour visualiser le flux de solution.

5. Pousser l'interrupteur (63) en position « I » pour mettre le moteur d'aspiration en marche.
6. Appuyer sur le bouton-poussoir du flux de solution (64) pour modifier la quantité de solution fournie. Les DELS verts (65) allumés indiquent la quantité de flux comme le montre le tableau ci-dessous :

DELS allumés (65)				
Configuration	Flux minimum de solution.	Flux intermédiaire de solution.	Flux maximum de solution.	Flux de solution fermé.

7. Pour commencer le travail de lavage / séchage, mettre les mains sur le guidon (2) et démarrer la machine en appuyant sur les boutons-poussoirs de rotation de la brosse (61).

Arrêt de la machine

8. Relâcher les boutons-poussoirs de rotation de la brosse (61).
9. Pousser l'interrupteur (63) en position « 0 » pour arrêter le moteur d'aspiration.
10. Pousser l'interrupteur (62) en position « 0 » pour arrêter le moteur de la brosse.
11. Actionner la goupille de positionnement (24), puis activer le dispositif de transport / stationnement (23a) de la machine pour soulever la brosse / plateau support disque (voir la Figure 5).
12. S'assurer que la machine ne peut pas bouger de façon autonome.



REMARQUE

Chaque fois que l'on arrête la machine, le programme du flux de solution retourne automatiquement au niveau minimum pour une consommation réduite de l'eau.



AVERTISSEMENT !

En cas de nécessité immédiate et pour arrêter toutes les fonctions de la machine débrancher le connecteur des batteries (29).

Pour restaurer le fonctionnement de la machine, brancher à nouveau le connecteur.

Soulèvement de l'embouchure

Soulever l'embouchure en procédant comme suit :

1. Saisir le guidon (2), le baisser jusqu'à ce que la roue arrière (7) ne touche le sol (A, Fig. 3) puis accrocher l'embouchure en position soulevée (B).

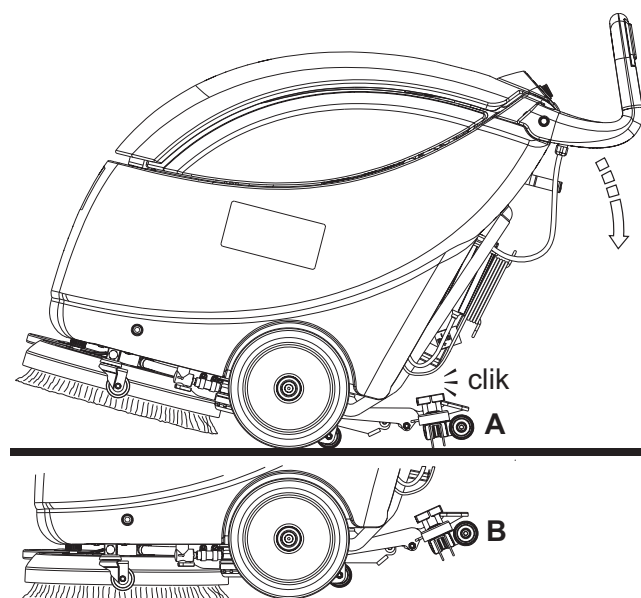


Figure 3

P100642

MACHINE AU TRAVAIL (LAVAGE / SÉCHAGE)

1. Démarrer la machine comme prévu au paragraphe précédent.
2. Tout en gardant les mains sur le guidon (2), déplacer la machine et commencer le travail de lavage / séchage du sol.
3. Si besoin est, régler la quantité de solution qui arrive à la brosse au moyen du bouton-poussoir (65).



AVERTISSEMENT !

Afin d'éviter d'endommager la surface du sol à nettoyer, ne pas utiliser la brosse à sec et, lorsque la machine est au repos, arrêter la rotation de la brosse / disque en relâchant les boutons-poussoirs (61).



AVERTISSEMENT !

Avant de soulever la brosse / disque, arrêter sa rotation en relâchant les boutons-poussoirs (61).



REMARQUE

Pour un lavage / séchage correct du sol près du mur, Clarke recommande d'approcher le côté droit de la machine, comme illustré sur la figure 4.

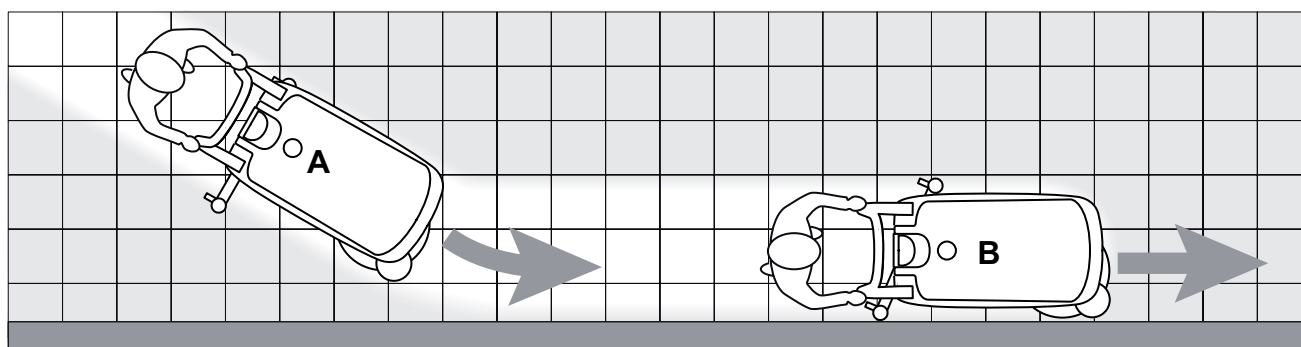


Figure 4

P100643



AVERTISSEMENT !

En cas de surcharge des moteurs des brosses / plateaux support disque, dû à corps étrangers qui empêchent leur mouvement, ou à sols difficiles / brosses dures, un système de sécurité arrête les brosses / plateaux support disque après un minute environ de surcharge continue.

La condition de surcharge est indiquée par le clignotement simultané des trois DELS (64).

Pour reprendre le travail après l'arrêt de la brosse / plateau support disque à cause de la surcharge, il est nécessaire d'arrêter la machine, en portant l'interrupteur (62) sur « 0 ». Démarrer à nouveau la machine en portant l'interrupteur (62) sur « I ».

Réglage de la vitesse d'avance de la machine

- La vitesse d'avance de la machine varie selon le type de sol à nettoyer et le choix d'utiliser la brosse ou le disque. Si besoin est, il est possible de régler la vitesse d'avance en suivant la procédure au paragraphe correspondant dans le chapitre Entretien.

Déchargement des batteries pendant le travail

- Si pendant les 5 premières secondes le DEL vert des indicateurs de l'état de charge (64) reste allumé, les batteries permettent le fonctionnement normal de la machine. Lorsque le DELS jaune ou rouge s'allume, il est nécessaire de procéder au chargement des batteries, car l'autonomie résiduelle de fonctionnement de la machine est minimum.



AVERTISSEMENT !

Ne pas insister à utiliser la machine avec batteries déchargées, pour ne pas endommager les batteries en réduisant leur vie utile.

TRANSPORT / STATIONNEMENT DE LA MACHINE

Pour le transport / stationnement de la machine, procéder comme suit.

- Arrêter la machine en portant les interrupteurs (62) et (63) sur « 0 ».
- Soulever l'embouchure (59).
- Actionner la goupille de positionnement (24), puis activer le dispositif de transport / stationnement (23a) de la machine pour maintenir la brosse / plateau support disque soulevé (Figure 5).
- Tout en gardant la machine dans cette condition, la pousser dans le lieu de transport/stationnement.
- Le travail effectué, afin de ne pas entraîner la brosse / disque sur le sol et de ne pas laisser des traces mouillées, déposer la brosse / disque de la tête en suivant la procédure de décrochage (voir la procédure suivante) et puis l'appuyer sur le support avant (43).

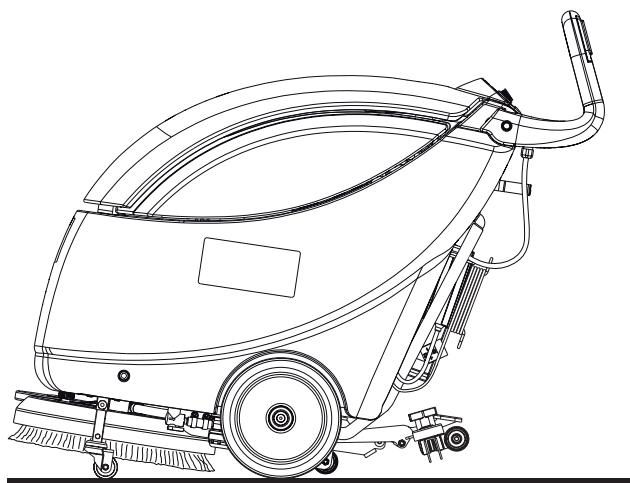


Figure 5

P100644

Dépose de la brosse / plateau support disque

Déposer la brosse / plateau support disque de la tête, en procédant comme suit :

- Porter l'interrupteur (62) sur la position « I ».
- Soulever la tête porte-brosse / plateau support disque (10) en faisant levier sur le guidon (2).
- Appuyer 3 fois de suite sur les boutons-poussoirs (61), puis atteindre jusqu'à l'activation de la brosse et son arrêt après son décrochage du moyeu de transmission.
- Tourner l'interrupteur (62) sur la position « 0 » pour arrêter la machine.

VIDANGE DES RÉSERVOIRS

Un système de fermeture automatique à flotteur (46) bloque le système d'aspiration lorsque le réservoir de l'eau de récupération (30) est plein.

Le blocage du système d'aspiration peut être détecté grâce à l'augmentation soudaine de la fréquence du bruit du moteur d'aspiration ; en outre, le système d'aspiration ne sèche pas le sol.



AVERTISSEMENT !

Si le système d'aspiration se bloque pour causes accidentelles (par exemple pour l'intervention prématurée du flotteur pendant un déplacement soudain de la machine), pour le démarrer, arrêter le système en portant l'interrupteur (63) sur la position « 0 », puis ouvrir le couvercle du réservoir de l'eau de récupération (41) et vérifier que le flotteur dans la grille (46) est au niveau de l'eau ; enfin, fermer le couvercle (6) en tournant l'interrupteur (63) sur la position « I ».

Lorsque le réservoir de l'eau de récupération (30) est plein, le vider en procédant comme suit.

Vidange du réservoir de l'eau de récupération

1. Tourner l'interrupteur (62) et (63) sur la position « 0 » pour arrêter la machine.
2. Soulever l'embouchure (59).
3. Pousser la machine dans la zone destinée à l'écoulement.
4. Reposer la goupille de positionnement (24), puis soulever la brosse / plateau support disque (23a) en activant le dispositif de transport / stationnement de la machine.
5. Vider le réservoir de l'eau de récupération (30) au moyen du tuyau de vidange (16). Le travail effectué, rincer le réservoir à l'eau propre.

Vidange du réservoir de la solution

Exécuter les étapes de 1 à 4.

6. Vider le réservoir de la solution (31) au moyen du tuyau (18).
7. Le travail effectué, rincer le réservoir à l'eau propre.

APRÈS L'UTILISATION DE LA MACHINE

Le travail effectué, avant de laisser la machine :

1. Enlever la brosse / plateau support disque comme indiqué dans le paragraphe « Transport / stationnement de la machine ».
2. Vider les réservoirs (30) et (31) comme indiqué au paragraphe spécifique.
3. Effectuer les opérations d'entretien prévues après l'utilisation de la machine (voir les paragraphes au chapitre Entretien).
4. Garder la machine dans un endroit sec et propre, avec la brosse / plateau support disque et l'embouchure déposés ou soulevés.

DÉPOSE DU RÉSERVOIR DE L'EAU DE RÉCUPÉRATION

Pour pouvoir contrôler ou charger les batteries au plomb (WET), ou pour d'autres opérations, il peut être nécessaire de déposer le réservoir de l'eau de récupération (30) ; procéder comme suit.

1. Contrôler que les interrupteurs (62) et (63) sont en position « 0 ».
2. Vider le réservoir de l'eau de récupération (30), en procédant comme indiqué au paragraphe « Vidange des réservoirs ».
3. Porter la machine sur un sol plat.
4. Déconnecter le tuyau d'aspiration (22) de l'embouchure (11).
5. Déconnecter le tuyau de vidange de l'eau de récupération (16) du support correspondant (17).
6. Ouvrir le couvercle (6).
7. Saisir le réservoir de l'eau de récupération (A, Fig. 6) dans la zone (B) et le soulever légèrement.
8. Déconnecter le tuyau d'aspiration (C) du réservoir, et puis déposer le réservoir (A) avec les tuyaux correspondants (D) et (E).

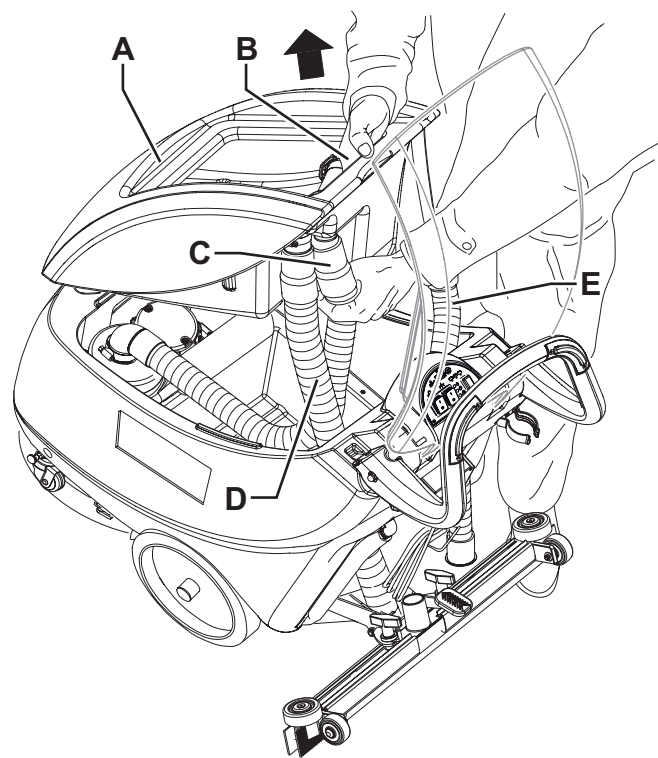


Figure 6

P100641

INACTIVITÉ PROLONGÉE DE LA MACHINE

Si on prévoit de ne pas utiliser la machine pendant plus de 30 jours, il est convenable d'effectuer les opérations suivantes :

1. Effectuer les opérations prévues au paragraphe « Après l'utilisation de la machine ».
2. Débrancher le connecteur (29) des batteries.
3. Garder la machine dans un endroit propre et sec.

PREMIÈRE PÉRIODE D'UTILISATION

Après les 8 premières heures d'utilisation, contrôler le serrage des éléments de fixation et de connexion de la machine. Vérifier que les parties visibles sont intactes et sans pertes.

ENTRETIEN

La durée de vie de la machine et sa sécurité de fonctionnement sont garanties par un entretien soigné et régulier. Veuillez trouver ci-dessous le plan récapitulatif d'entretien programmé. Les périodicités indiquées peuvent subir des variations en fonction de conditions de travail particulières, à définir par le responsable de l'entretien.



ATTENTION !

Les opérations d'entretien doivent être exécutées avec la machine à l'arrêt, les batteries et le câble du chargeur de batterie débranchés.

En outre, lire attentivement toutes les instructions au chapitre Sécurité.

Toutes les opérations d'entretien programmé ou extraordinaire doivent être effectuées par du personnel qualifié ou par un Service après-vente autorisé. Ce manuel ne contient que les opérations d'entretien les plus simples et les plus récurrentes.



REMARQUE

Pour les procédures des autres opérations d'entretien prévues par le plan d'entretien programmé, se référer au manuel d'entretien consultable auprès des Services après-vente.

PLAN D'ENTRETIEN PROGRAMMÉ

Procédure	Quotidienne, après l'utili- sation de la machine	Hebdo- madaire	Semestrielle	Annuelle
Nettoyage de l'embouchure				
Nettoyage de la brosse				
Nettoyage des réservoirs et de la grille d'aspiration				
Contrôle et remplacement des lamelles en caoutchouc de l'embouchure				
Nettoyage du filtre de la solution				
Chargement des batteries				
Contrôle du niveau du liquide des batteries WET				
Contrôle serrage vis et écrous			(1)	
Contrôle ou remplacement charbons moteur brosse				(2)
Contrôle et remplacement des charbons du moteur du système d'aspiration				(2)

(1) Et après les 8 premières heures de travail.

(2) Opération d'entretien de ressort d'un Service après vente agréé Clarke.

NETTOYAGE DE L'EMBOUCHURE



REMARQUE

Pour un bon séchage, l'embouchure doit être propre et les lamelles en caoutchouc doivent être en bon état.



ATTENTION !

Lors du nettoyage de l'embouchure, il est conseillé de porter des gants de protection à cause de la présence éventuelle de débris tranchants.

1. Porter la machine sur un sol plat.
2. Contrôler que les interrupteurs (62) et (63) sont en position « 0 ».
3. Baisser l'embouchure au moyen de la pédale (19).
4. Déconnecter le tuyau d'aspiration (22) de l'embouchure.
5. Desserrer les boutons (12) et déposer l'embouchure (11).
6. Laver et nettoyer l'embouchure. Nettoyer en particulier les compartiments de convoyage (A, Fig. 7) et l'orifice d'aspiration (B) de la saleté et des déchets.
7. Contrôler que la lamelle en caoutchouc avant (C) et la lamelle en caoutchouc arrière (D) sont intactes et qu'elles ne présentent pas de coupures ou déchirures ; dans le cas contraire, les remplacer (voir la procédure au paragraphe suivant).
8. Pour la repose, procéder dans l'ordre inverse de la dépose.

CONTRÔLE ET REMPLACEMENT DES LAMELLES EN CAOUTCHOUC DE L'EMBOUCHURE

1. Nettoyer l'embouchure comme indiqué au paragraphe précédent.
2. Contrôler que les bords de la lamelle en caoutchouc avant (E, Fig. 7) et de la lamelle en caoutchouc arrière (I) se posent simultanément sur un plan, sur toute leur longueur ; dans le cas contraire, régler leur hauteur en procédant comme suit :
 - Déposer les ressorts de fixation (F), puis régler la lamelle en caoutchouc avant (C) et la lamelle en caoutchouc arrière (D).
 - Installer les ressorts de fixation sur les lamelles en caoutchouc avant et arrière.
3. Contrôler que la lamelle en caoutchouc avant (C) et la lamelle en caoutchouc arrière (D) sont intactes et qu'elles ne présentent pas de coupures ou déchirures ; en cas contraire, les remplacer en procédant comme suit. Contrôler aussi que l'arête de la lamelle en caoutchouc arrière (H) n'est pas usée ; dans le cas contraire, renverser la lamelle, en remplaçant l'arête usée avec l'autre arête (G), si elle est encore intacte. Si l'autre arête est usée, remplacer la lamelle en caoutchouc, en procédant comme suit :
 - Déposer les ressorts de fixation (F), puis remplacer (ou tourner) la lamelle en caoutchouc arrière (D).
 - Installer les ressorts de fixation sur les lamelles en caoutchouc avant et arrière.
4. Installer l'embouchure (11) et serrer les boutons (12).
5. Connecter le tuyau d'aspiration (22) à l'embouchure (11).

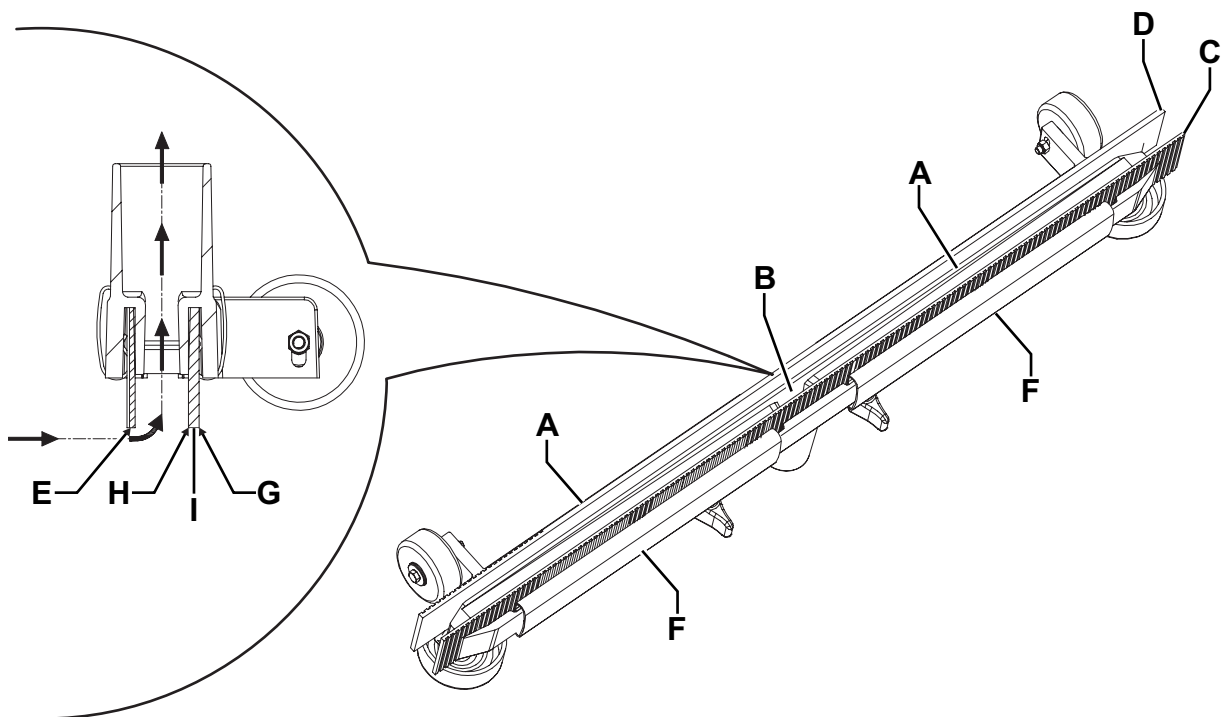


Figure 7

S310230A

NETTOYAGE DE LA BROSSE



ATTENTION !

Lors du nettoyage de l'embouchure, il est conseillé de porter des gants de protection à cause de la présence éventuelle de débris tranchants.

1. Enlever la brosse comme indiqué dans le paragraphe « Transport / stationnement de la machine » au chapitre Utilisation.
2. Reposer la goupille de positionnement (24), puis désactiver le dispositif de transport / stationnement (23b) de la machine.
3. Nettoyer et laver la brosse avec de l'eau et de la solution.
4. Contrôler que les poils de la brosse sont intacts et non excessivement usés ; dans le cas contraire, remplacer la brosse.

NETTOYAGE DES RÉSERVOIRS ET DE LA GRILLE D'ASPIRATION

1. Pousser la machine dans la zone destinée à l'écoulement.
2. Contrôler que les interrupteurs (62) et (63) sont en position « 0 ».
3. Ouvrir le couvercle du réservoir de l'eau de récupération (41), nettoyer et laver à l'eau propre le couvercle, les réservoirs (30) et (31) et la grille d'aspiration (46). Vider l'eau des réservoirs à l'aide du tuyau de vidange (16) et du tuyau (18).
4. Si besoin est, dégager les dispositifs de retenue (B, Fig. 8), ouvrir la grille (A), récupérer le flotteur (C) et nettoyer soigneusement ; enfin reposer en place.
5. Contrôler l'intégrité du joint d'étanchéité (D) du couvercle du réservoir de l'eau de récupération.



REMARQUE

Le joint d'étanchéité (D) permet la création d'une dépression dans le réservoir, nécessaire à l'aspiration de l'eau de récupération.

Si besoin est, déposer le joint d'étanchéité (D) de son logement (E) et le remplacer. Lors de la pose du nouveau joint d'étanchéité, positionner le raccord (F) dans la zone centrale arrière indiquée dans la figure.

6. Contrôler aussi l'intégrité et l'efficacité de la surface d'appui (G) du joint d'étanchéité (D).
7. Fermer le couvercle du réservoir de l'eau de récupération (6).

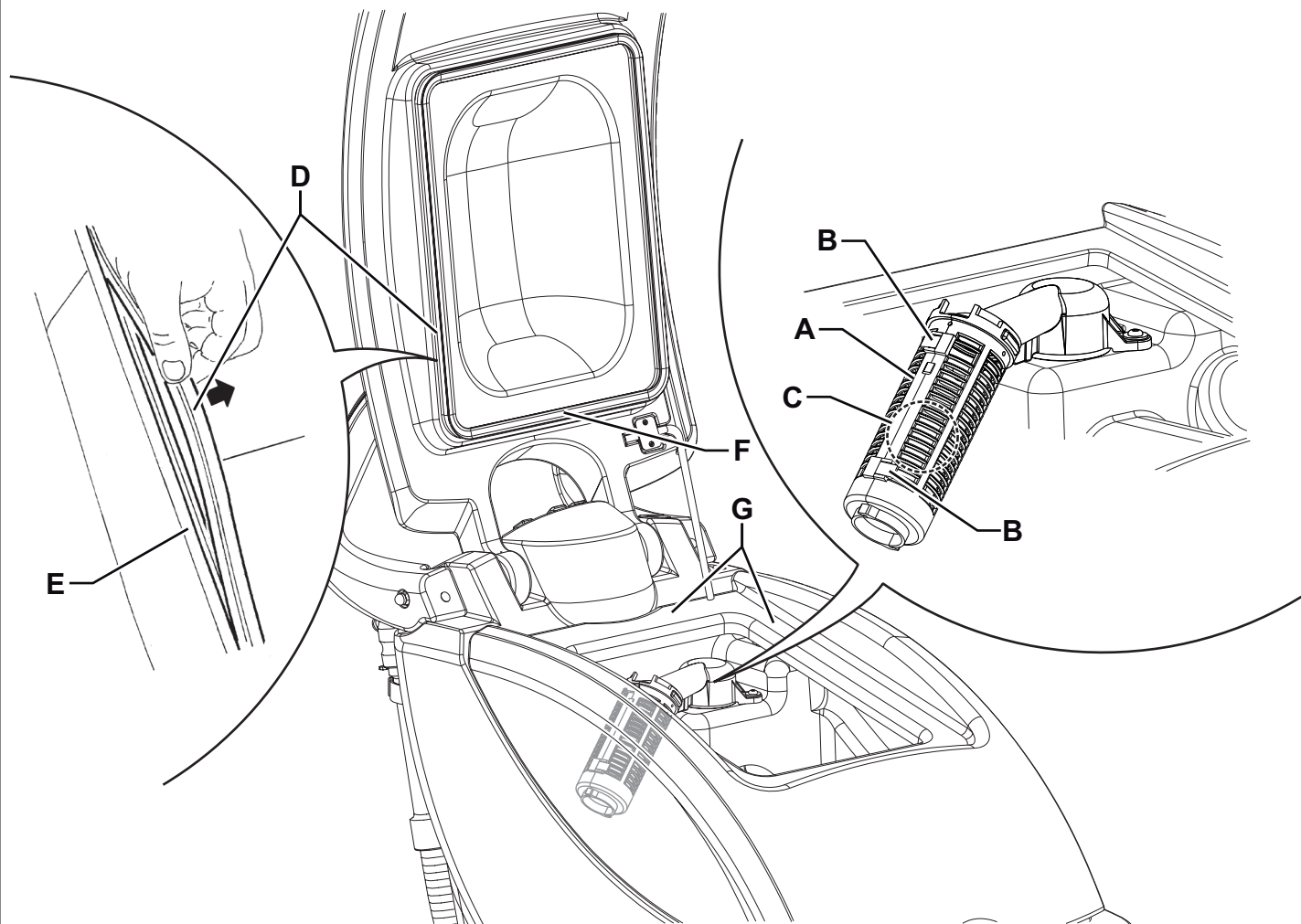


Figure 8

P100645

NETTOYAGE DU FILTRE DE LA SOLUTION

1. Porter la machine sur un sol plat.
2. Contrôler que les interrupteurs (62) et (63) sont en position « 0 ».
3. Fermer le robinet de la solution (A, Fig. 9) situé dessous la machine, devant la roue arrière gauche. Le robinet (A) est fermé quand il se trouve dans la position (B) par rapport aux tuyaux ; il est ouvert quand il se trouve dans la position (C).
4. Retirer le couvercle transparent (D) avec le joint d'étanchéité (E), puis retirer le filet filtrant (F). Les nettoyer et les reposer sur le support (G).



REMARQUE

Placer correctement le joint d'étanchéité (E) et le filet filtrant (F) dans les logements du couvercle (D) et du support (G).

5. Ouvrir le robinet (A) en le tournant en position (C).

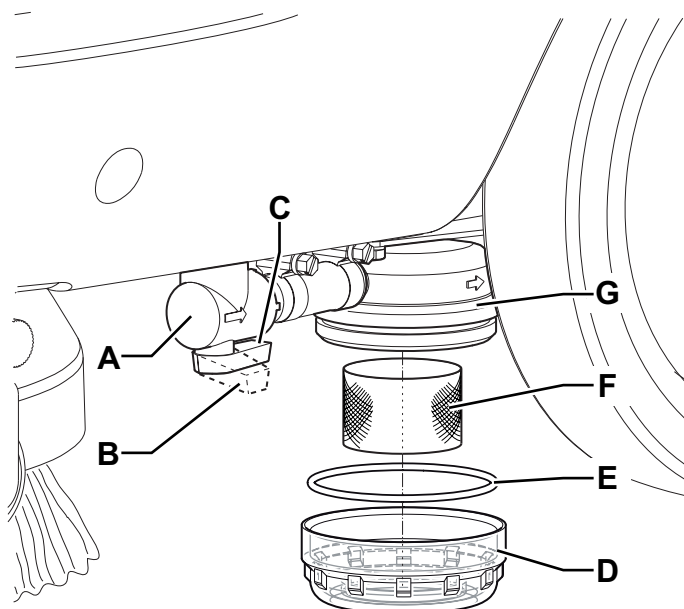


Figure 9

P100646

RÉGLAGE DE L'AVANCE DE LA MACHINE



REMARQUE

La vitesse d'avance de la machine peut varier en fonction du type de plancher à nettoyer, ou de l'utilisation de la brosse ou du disque.

Si besoin est, effectuer le réglage en procédant comme suit.

1. Régler la vitesse d'avance de la machine au moyen du bouton (53) en procédant comme suit :
 - Tourner dans le sens contraire aux aiguilles d'une montre pour augmenter la vitesse d'avance de la machine.
 - Tourner dans le sens des aiguilles d'une montre pour réduire la vitesse d'avance de la machine.
2. Si l'on relève que la machine a tendance à dévier de la direction d'avance rectilinéaire, il est possible d'agir sur la manette (52) en la tournant dans le sens des aiguilles d'une montre ou dans le sens contraire pour corriger la déviation et obtenir un mouvement essentiellement neutre.
3. Avec la machine en état de fonctionnement, effectuer des essais pratiques de la machine et, le cas échéant, régler à nouveau.

CHARGEMENT DES BATTERIES



REMARQUE

Charger les batteries lorsque le DEL jaune ou rouge des indicateurs (64) s'allument ou à la fin du travail. Garder les batteries chargées afin de prolonger leur vie utile.



AVERTISSEMENT !

Lorsque les batteries sont déchargées, les recharger dès que possible, afin de ne pas réduire leur durée de vie utile.

Contrôler la charge des batteries au moins une fois par semaine.



ATTENTION !

Si des batteries au plomb (WET) sont installées dans la machine, le chargement des batteries produit un gaz hydrogène très explosif. Charger les batteries dans un endroit bien aéré et loin de flammes libres.

Ne pas fumer pendant le chargement des batteries.

Ne pas reposer le réservoir de l'eau de récupération pendant le cycle de rechargement des batteries.



ATTENTION !

Pendant le rechargement des batteries WET, faire attention à d'éventuelles pertes de liquide des batteries. Ce liquide est corrosif. En cas de contact avec les yeux ou la peau, rincer abondamment à l'eau et consulter un médecin.

1. Porter la machine dans la zone destinée au chargement des batteries.
2. Contrôler que les interrupteurs (62) et (63) sont en position « 0 ».
3. Exclusivement pour batteries WET :
 - Déposer le réservoir d'eau de récupération comme indiqué dans le paragraphe correspondant au chapitre Utilisation.
 - Contrôler le niveau de l'électrolyte dans les batteries ; si besoin est, faire l'appoint au moyen des bouchons.
 - Laisser tous les bouchons des batteries ouverts pour le chargement successif.
 - Si besoin est, nettoyer la surface supérieure des batteries.
4. Brancher le câble (21) du chargeur de batterie au réseau électrique [la tension et la fréquence de réseau doivent coïncider avec les valeurs correspondantes du chargeur de batterie, indiquées sur la plaque avec numéro de série (1) de la machine].



REMARQUE

Lorsque le chargeur de batterie est branché au réseau électrique, toutes les fonctions de la machine sont automatiquement exclues.

Le DEL rouge ou jaune (27) allumé du chargeur de batterie indique que le chargeur de batterie est en train de charger les batteries.

5. Lorsque le DEL vert (27) du chargeur de batterie s'allume fixe, le cycle de charge des batteries est terminé.
6. Le cycle de chargement terminé, débrancher le câble (21) du chargeur de batterie du réseau électrique et l'enrouler autour du logement correspondant.
7. Exclusivement pour batteries WET :
 - Fermer tous les bouchons des batteries.
 - Installer le réservoir d'eau de récupération comme indiqué dans le paragraphe correspondant au chapitre Utilisation.
8. La machine est prête à l'utilisation.



REMARQUE

Pour de plus amples informations relatives au fonctionnement du chargeur de batterie (26), consulter le manuel spécifique.

CONTRÔLE / REMPLACEMENT DES FUSIBLES

1. Débrancher le connecteur (29) des batteries.
2. Enlever les vis (A, Fig. 10) et sortir le couvercle (B) du boîtier électrique.
3. Contrôler l'intégrité des fusibles suivants :
 - (C) : Fusible à ruban F1 (40 A), moteur brosse
 - (D) : Fusible à lamelle F2 (30 A), système d'aspiration.
 - (E) : Fusible à lamelle F3 (5 A), électrovanne et carte électronique
 - (E) : Fusible en verre (20 A), système de déclenchement brosse
4. Remplacer le fusible après le refroidissement du composant qui a déterminé la coupure.

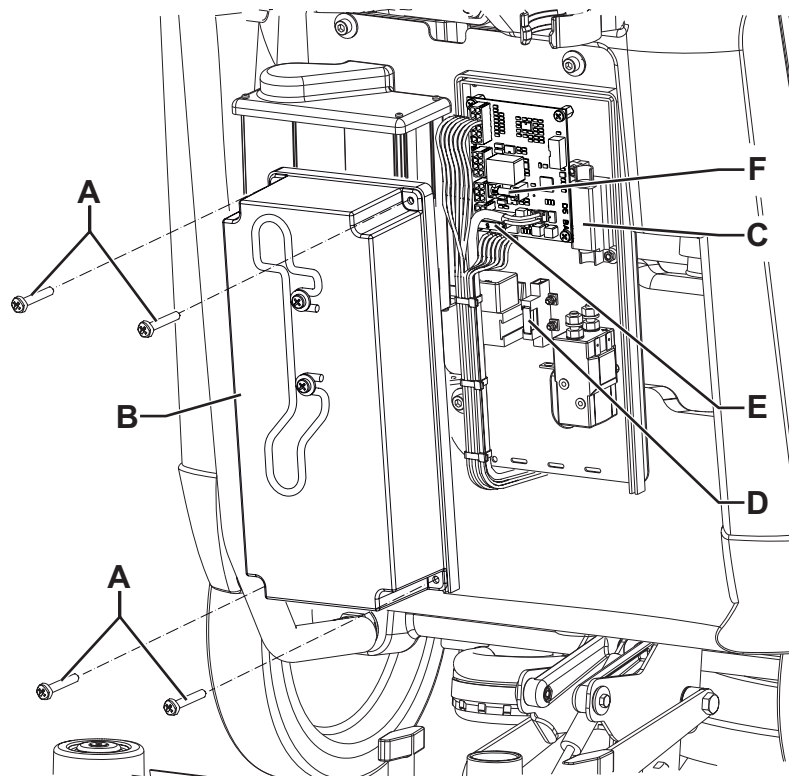


Figure 10

P100647

DÉPISTAGE DES PANNES

Problème	Cause possible	Remède
Les moteurs ne fonctionnent pas ; aucun DEL ne s'allume.	Le connecteur des batteries est débranché.	Connecter.
	Les batteries sont complètement déchargées.	Charger.
	Le fusible F3 est grillé.	Remplacer.
Les DELS (65) clignotent simultanément.	Surcharge du moteur de la brosse.	Utiliser une brosse moins dure ou de type différent.
	Présence de corps étrangers (fils entortillés, etc.) qui risquent de freiner la rotation de la brosse.	Nettoyer le moyeu de la brosse.
Le moteur de la brosse ne fonctionne pas.	Les boutons-poussoirs (61) sont défectueux.	Remplacer. (*)
	Le fusible F1 est grillé.	Remplacer.
	L'interrupteur (62) est défectueux.	Remplacer. (*)
Le système de déclenchement brosse ne fonctionne pas.	Le fusible F4 est grillé.	Remplacer.
Le moteur du système d'aspiration ne démarre pas.	Le fusible F2 est grillé.	Remplacer.
	L'interrupteur (63) est défectueux.	Remplacer. (*)
L'aspiration de l'eau sale est insuffisante.	Le réservoir de l'eau de récupération est plein.	Vider.
	La grille d'aspiration est obstruée ou le flotteur est en position fermée.	Nettoyer la grille et contrôler le flotteur.
	Le tube d'aspiration est débranché de l'embouchure ou est en panne.	Connecter.
	L'embouchure est sale ou les lamelles en caoutchouc de l'embouchure sont usées ou endommagées.	Nettoyer l'embouchure ou remplacer les lamelles en caoutchouc.
	Le couvercle du réservoir de l'eau de récupération n'est pas bien fermé, ou le joint est endommagé.	Contrôler et / ou nettoyer la zone de contact ou remplacer le joint.
	Le filtre du moteur du système d'aspiration est sale.	Nettoyer.
Le flux de solution à la brosse / disque est insuffisant.	Le filtre de la solution est sale.	Nettoyer.
	L'électrovanne de solution est en panne.	Remplacer. (*)
L'embouchure laisse des traces au sol.	Débris sous les lamelles en caoutchouc de l'embouchure.	Enlever les débris.
	Les lamelles en caoutchouc de l'embouchure sont usées, ébréchées ou déchirées.	Remplacer les lamelles en caoutchouc.

(*) Opération d'entretien de ressort d'un Service après vente agréé Clarke.

Pour de plus amples informations, se référer au manuel d'entretien consultable auprès des Services après-vente Clarke.

MISE À LA FERRAILLE

Effectuer la mise à la ferraille de la machine auprès d'un démolisseur autorisé.

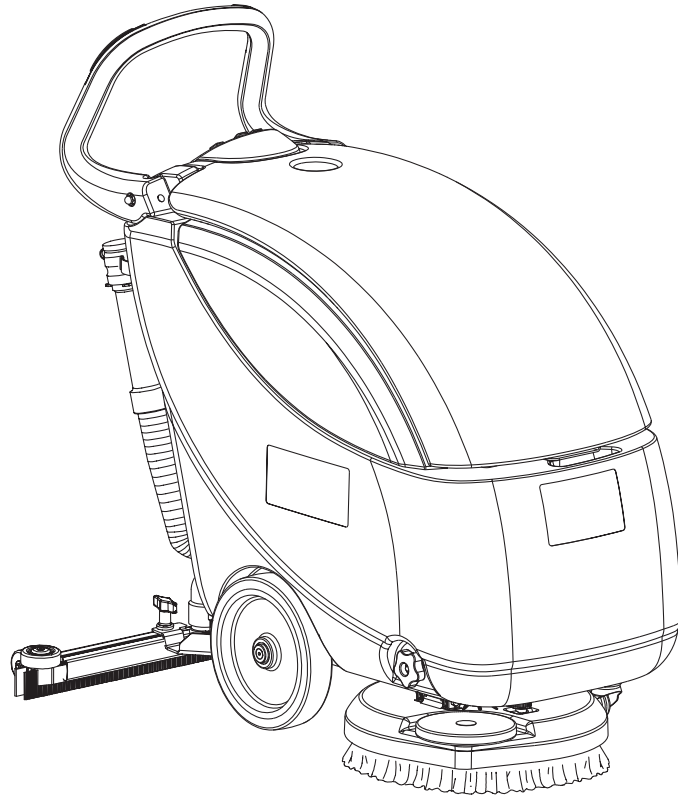
Avant d'effectuer la mise à la ferraille de la machine il est nécessaire de déposer et séparer les éléments suivants et les envoyer aux collectes sélectives, conformément aux normes d'hygiène de l'environnement en vigueur :

- Batteries
- Brosses
- Tuyaux et pièces en matériel plastique
- Parties électriques et électroniques (*)

(*) Notamment pour la mise en décharge des parties électriques et électroniques, s'adresser auprès du centre Clarke le plus proche.

Clarke®

Vantage 17 B



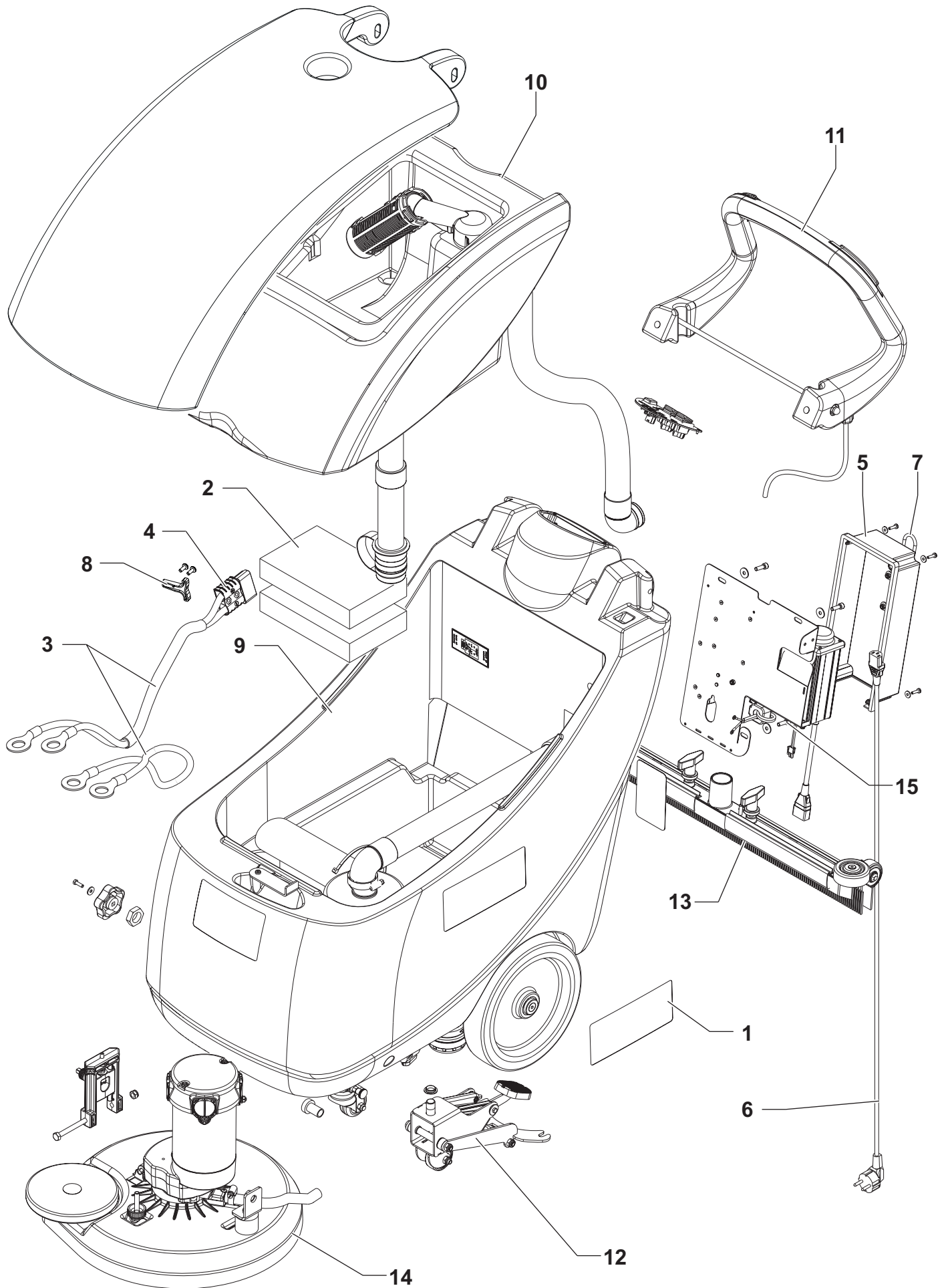
Parts List

[] = Not shown

* = optional

= Modified item No. or New item No.

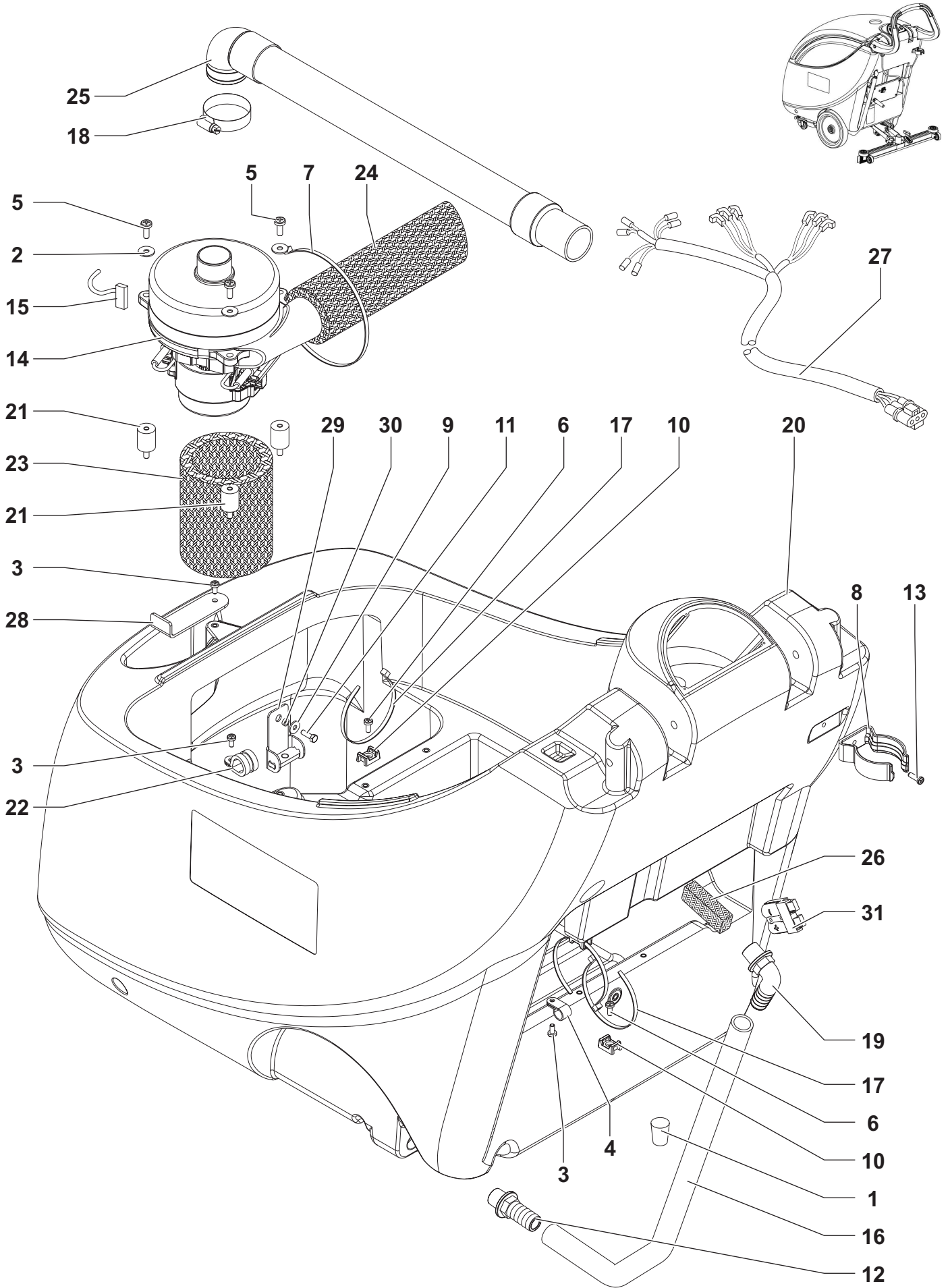
GENERAL SYSTEM



GENERAL SYSTEM

KIT	ITEM	REF. NO.	QTY	DESCRIPTION
	1	9099764000	1	DECALS KIT CLARKE VANTAGE17
	2	L08812670	2	BATTERY RESTRAINT
	3	909 5955 000	1	BATTERY HARNESS
	4	9098761000	1	BATTERY CONNECTOR (C1)
	5	9099762000	1	ELECTRIC BOX COVER KIT
	6	9096914000	1	EXTENTION US PLUG
	7	909 5149 000	1	CABLE SUPPORT
	8	1464116000	1	HANDLE RED PLASTIC FOR CONNECTOR
	9	-	1	SOLUTION SYSTEM
	10	-	1	DIRTY WATER TANK SYSTEM
	11	-	1	HANDLE SYSTEM
	12	-	1	SQUEEGEE LIFT SYSTEM
	13	-	1	SQUEEGEE ASSY
	14	-	1	BA BRUSH DECK SYSTEM
	15	-	1	ELECTRONIC + BATTERY CHARGER SYSTEM

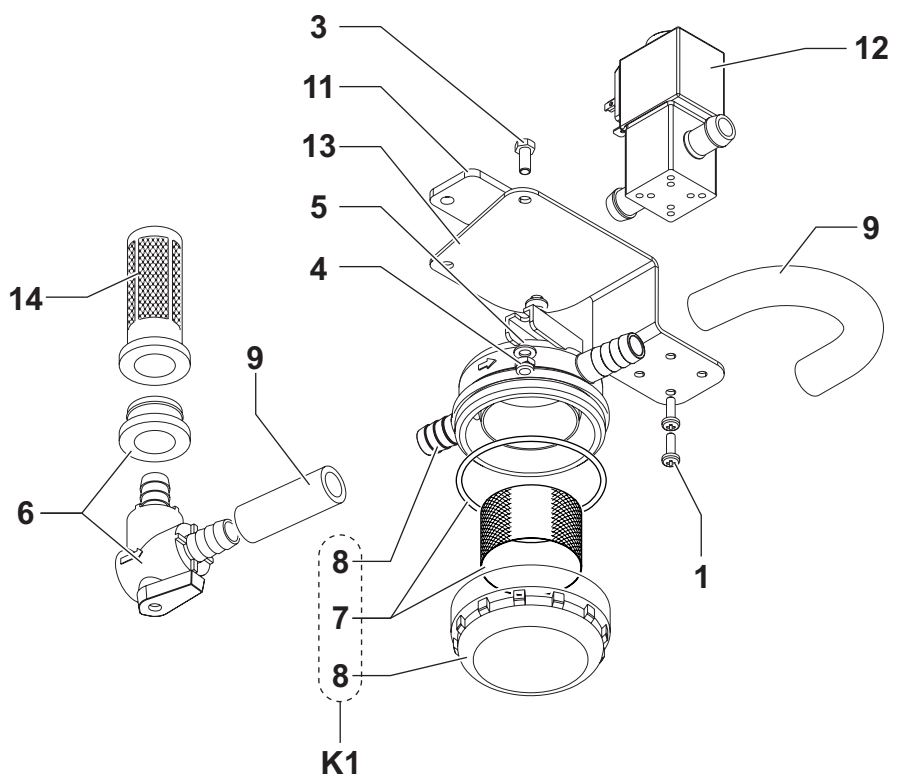
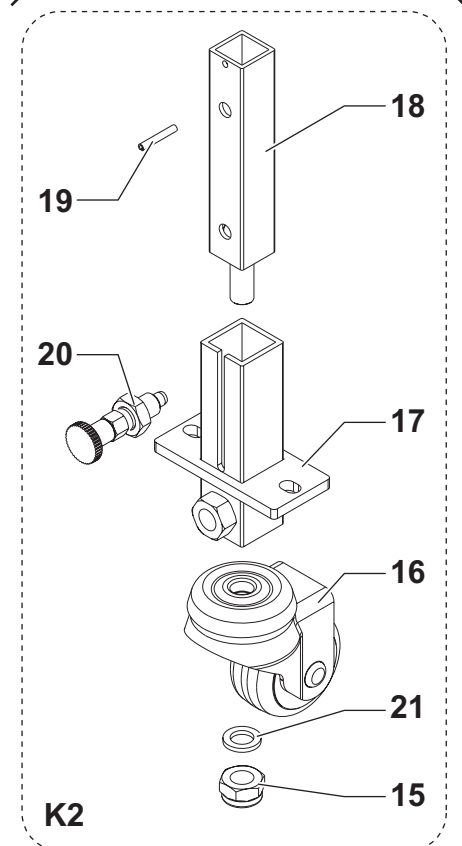
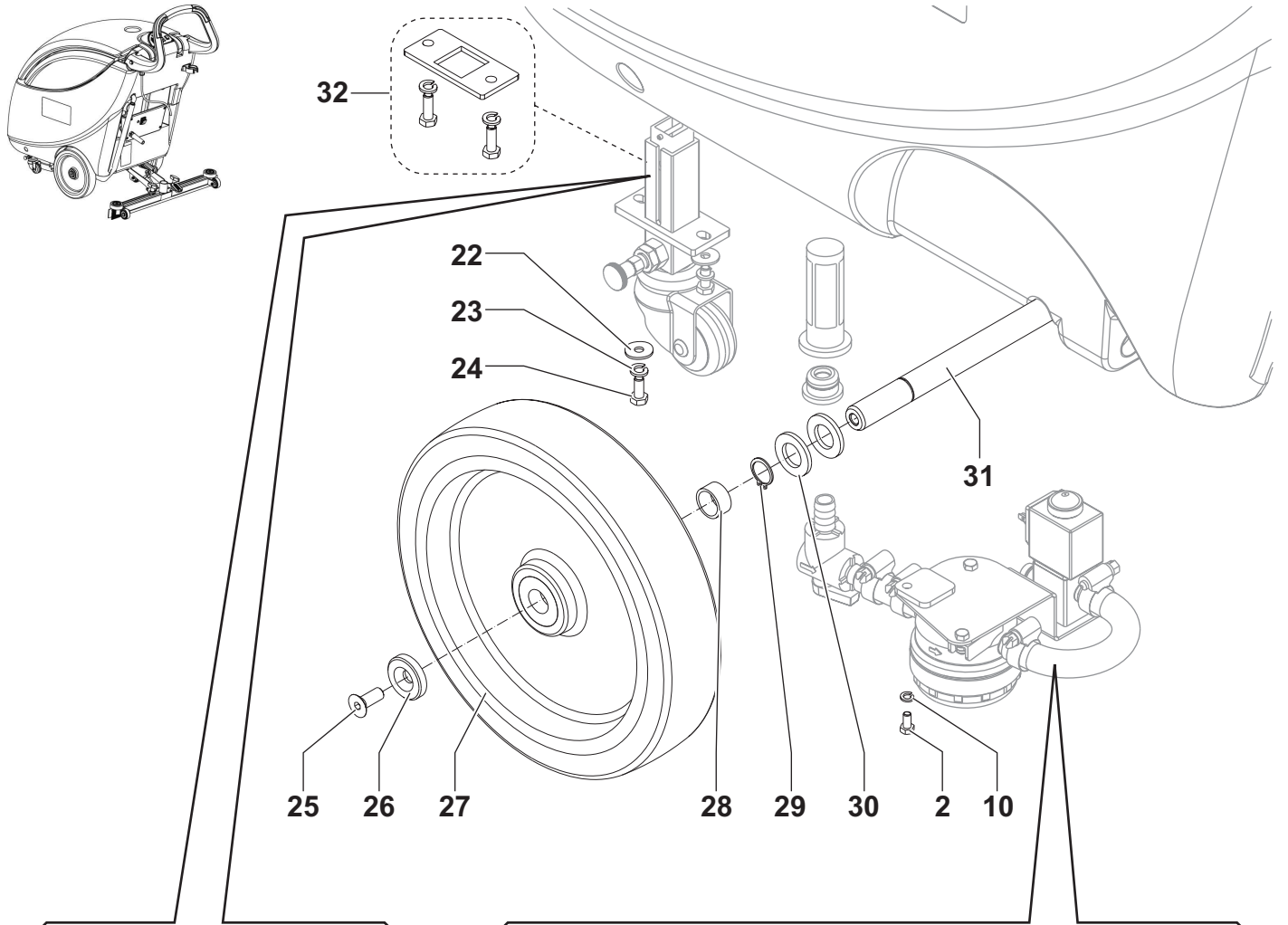
SOLUTION SYSTEM



SOLUTION SYSTEM

KIT	ITEM	REF. NO.	QTY	DESCRIPTION
K1	1		1	CAP FOR BATTERY BOX
K1	2		3	WASHER, FLAT XL
K1	3		3	SCREW, PAN PHIL M5X10 LOCTITE
K1	4		1	CLAMP, CABLE Ø12.7
K1	5		3	SCREW, PAN PHIL M6X16
K1	6		3	SCREW, PAN PHIL M5X12
K1	7		1	TIE, CABLE 4,8X430
	8	909 6380 000	1	CLAMP KIT
K1	9		1	WASHER, FLAT XL 5,5X15
K1	10		3	FLAT TIE HOLDER
K1	11		1	SCREW, HEX THD TO HD M5X16
	12	9097383000	1	ELBOW Ø20
K1	13		1	THREAD ROLLING SCR 5X16
	14	909 5713 000	1	MOTOR VACUUM KIT (M2)
	15	909 5371 000	2	CARBON BRUSH
	16	9098446000	1	SOLUTION HOSE 600 MM
K1	17		3	TIE, CABLE 4,8X200
K1	18		1	CLAMP, HOSE 14/32-52
	19	9098443000	1	ELBOW Ø20
	20	9099033000	1	BLUE FRESH WATER TANK
K1	21		3	AVIBRATION DAMPING EI TYPE
K1	22		1	CLAMP, HOSE D.18
	23	909 5564 000	1	ACOUSTIC INSULATION PIPE
	24	909 5565 000	1	ACOUSTIC INSULATION PIPE
	25	909 5579 000	1	VACUUM MOTOR HOSE
	26	9098802000	1	FILTER LEVEL WATER HOSE
	27	9099103000	1	HARNESS BA MACHINE
	28	909 6304 000	1	HOOK FOR BRUSH
	29	9099195000	1	FRONT ADJUSTABLE SUPPORT
K1	30		1	SPACER 5.5X8X3
	31	9098761000	1	CONNECTOR 50A RED (C1)
	[K1]	9099763000	1	HARDWARE SOLUTION TANK KIT

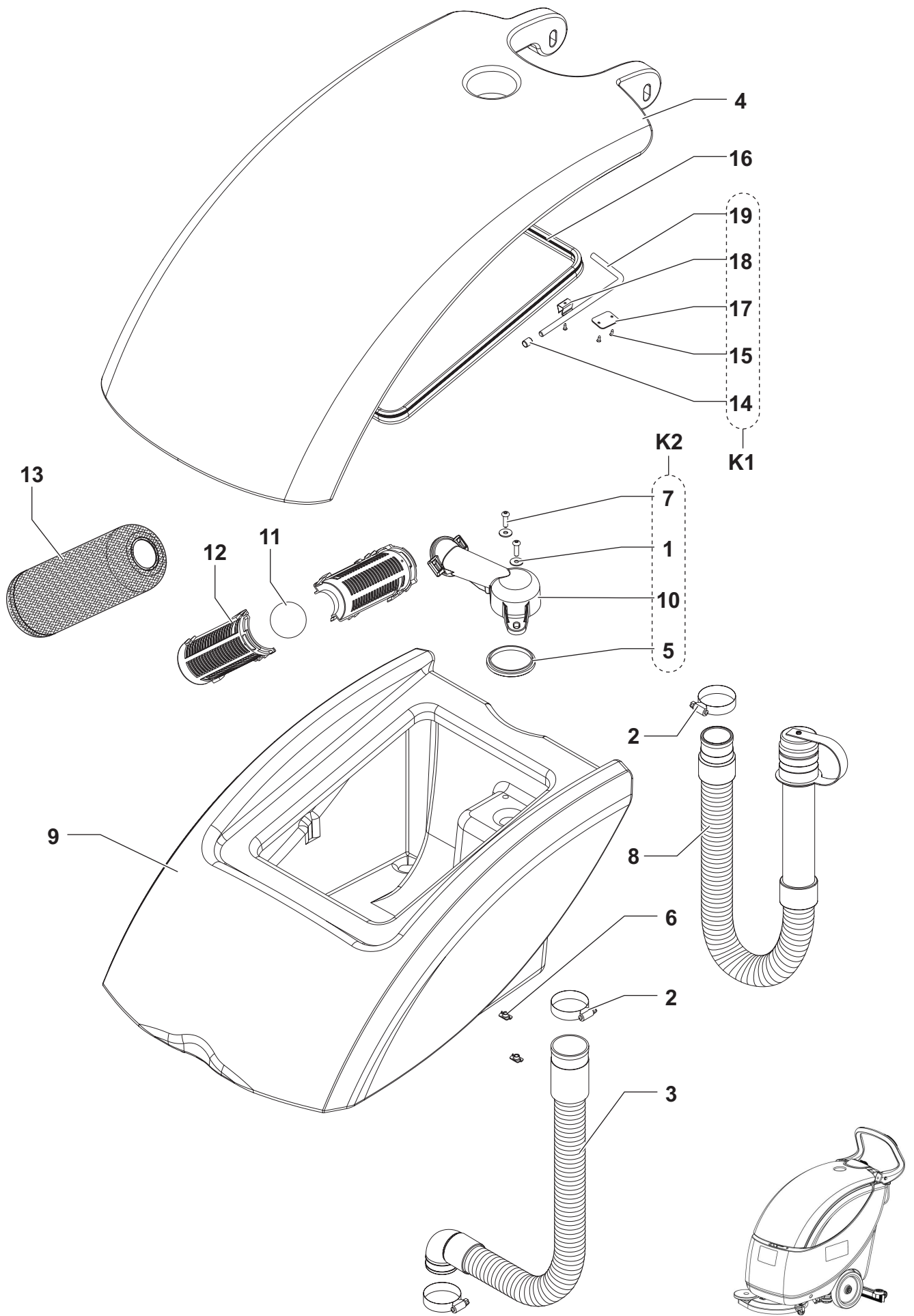
FILTER AND WHEELS SYSTEM



FILTER AND WHEELS SYSTEM

KIT	ITEM	REF. NO.	QTY	DESCRIPTION
K4	1		2	SCREW,PAN PHIL THD FORM
K4	2		1	SCREW, HEX THD TO HD M5X10
K4	3		2	SCREW, HEX THD TO HD M5X12
K4	4		2	NUT, HEX NYL LOC THIN M5
K4	5		2	WASHER, FLAT 5,3X10
	6	9097626000	1	VALVE ELBOW KIT
K1	7	909 5215 000	1	NET & GASKET WATER FILTER
K1	8		1	FILTER SOLUTION
	9	9099778000	1	HOSE SOLUTION FILTER KIT
K4	10		1	WASHER, SPLIT LOCK D.5
	11	9099200000	1	RUBBER ADHESIVE SPACER
	12	9099247000	1	SOLENOID VALVE 24V
	13	9099179000	1	FILTER - SOLENOID VALVE SUPPORT
	14	9096916000	1	FILTER SOLUTION TANK
K2	15		1	NUT, HEX NYL LOC THIN M10
K2	16		1	PIVOT WHEEL 50X24
K2	17		1	MACHINE SUPPORTING ROAD
K2	18		1	MACHINE SUPPORTING ROAD
K2	19		1	PIN, SPRING 3X20
K2	20		1	PLUGER INDEXING
K2	21		1	WASHER, FLAT 10X16X2.0
K4	22		2	WASHER, FLAT XL
K4	23		2	WASHER, SPLIT LOCK D.6
K4	24		2	SCREW, HEX THD TO HD M6X14
K3	25		2	SCREW, FLAT SOCKET HEAD
K3	26		2	BUSHING
	27	9099410000	2	WHEEL D250X50 GREY RING BLACK BODY
K3	28		2	SPACER 17X21X10.5
K3	29		2	SHAFT RING D 17
K3	30		4	WASHER, FLAT 17X30
K3	31		1	WHEELS SHAFT
	32*	909 6226 000	1	RUBBER SHOCK ABSORBER KIT
	K1	9097404000	1	FILTER SOLUTION
	K2	9099705000	1	WHEEL KIT
	[K3]	9099765000	1	HARDWARE WHEELS SHAFT KIT
	[K4]	9099766000	1	HARDWARE FILTER AND SUPPORT KIT

RECOVERY SYSTEM



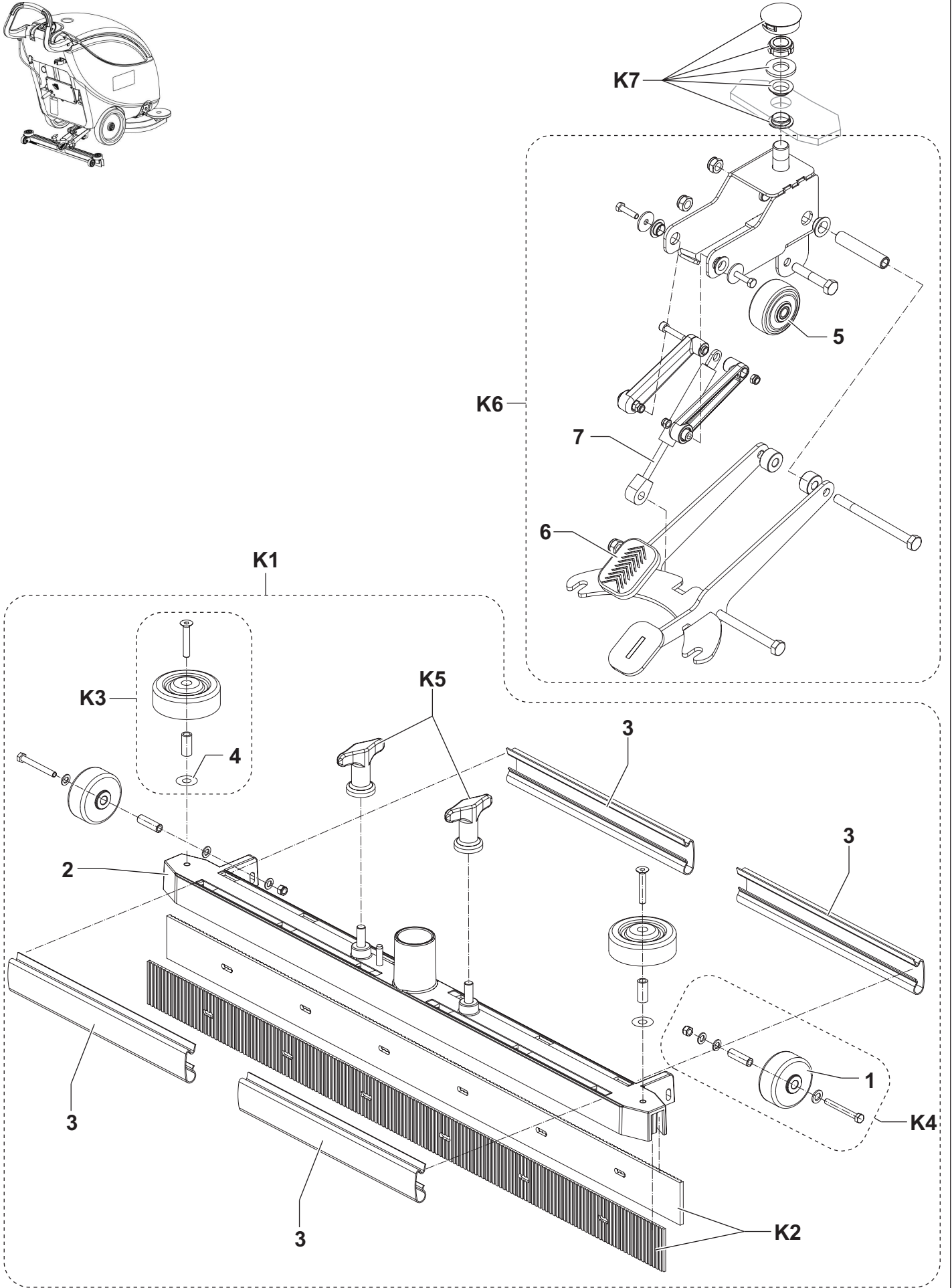
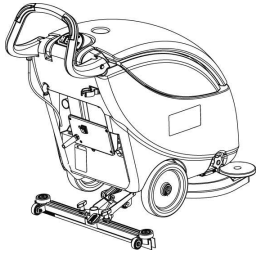
RECOVERY SYSTEM

KIT	ITEM	REF. NO.	QTY	DESCRIPTION
K2	1		2	WASHER, FLAT XL SS
	2	145 0543 000	2	CLAMP
	3	909 6289 000	1	SUCTION HOSE
	4	909 6273 000	1	BLUE TANK COVER
K2	5		1	GASKET FLOAT SUPPORT
K2	6		2	NUT DRIVIN 6X6 SS
K2	7		2	SCREW, BUTTON SOC M6X20
	8	9099692000	1	HOSE DRAIN KIT
	9	909 6272 000	1	BLUE RECOVERY TANK
K2	10		1	SUPPORT FLOAT SYSTEM
	11	L08812373	1	FLOATING BALL
	12	L08812259	2	FLOAT CAGE
	13	909 5065 000	1	FILTER ANTIFOAMING
K1	14		1	CAP BLACK
K1	15		3	SCREW, FLT PHIL THD FORM M4,2 X 50
	16	909 6268 000	1	GASKET
K1	17		1	PLATE FIXING LEVER
K1	18		1	LOCK SPING COVER LEVER
K1	19		1	FIXING COVER LEVER
	K1	9099776000	1	LEVER FIXING COVER KIT
	K2	9099767000	1	SUPPORT FLOAT KIT

HANDLE AND DASHBOARD SYSTEM

KIT	ITEM	REF. NO.	QTY	DESCRIPTION
K2	1		4	SCREW 4.2X16 THD FORM
K2	2		2	NUT M8
K2	3		2	CAP D. 9.5
K1	4		2	SWITCH LEVER
K1	5		2	SPRING
	6	909 6488 000	1	HANDLE BAR PE
K2	7		2	WASHER FLAT 8X17
	8	909 6768 000	1	HARNESS HANDLE CABLE
	9	909 6774 000	1	PIN HANDLE BAR
K1	10		2	SWITCH HOUSING
K1	11		4	SWITCH
	12	9099144000	1	HARNESS DASHBOARD
	13	9099199000	1	CONTROL PANEL PLATE
K2	14		5	SCREW M3X8 UNI7688
	15	9099380000	1	DECAL BA D5 BLUE CONTROL PANEL
	16	9099053000	1	TWO-COLOURED LED BOARD (EBLED)
	17	9099107000	1	SINGLE-POLE MOMENTARY SWICTH (SW3)
	18	L08603154	1	CAP PROTECTION
	19	909 5584 000	1	SWITCH (SW2)
	20	909 5584 000	1	SWITCH (SW1)
	K1	11053A	2	SWITCH ASSEMBLY KIT (SW4,5)
	K2	9099780000	1	HARDWARE HANDLE BAR SYSTEM KIT

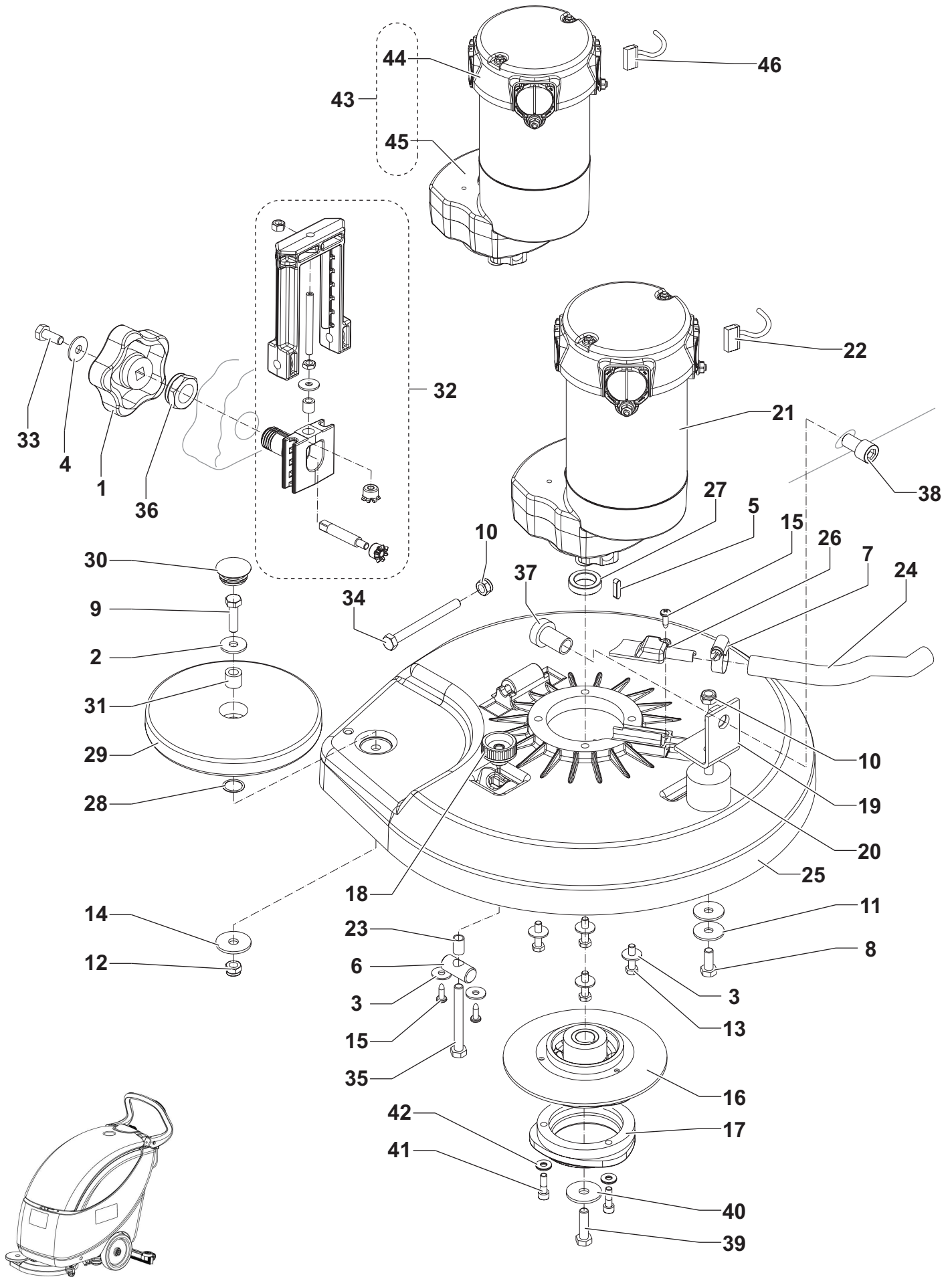
SQUEEGEE AND LIFT SYSTEM



SQUEEGEE AND LIFT SYSTEM

KIT	ITEM	REF. NO.	QTY	DESCRIPTION
K4	1	L08603665	2	SQUEEGEE WHEEL
K1	2	909 5554 000	1	SQUEEGEE WELDMENT
K1	3	909 5555 000	4	SPRING
K3	4	L08603689	2	WASHER FLAT 6X18 SS
K6	5	L08603665	1	WHEEL D51 SQUEEGEE
K6	6	9099106000	1	COVER, PEDAL
K6	7	909 5637 000	1	GAS SPRING 180N
	K1	909 5702 000	1	SQUEEGEE CPL STR.740MM/29 KIT
K1	K2	9097354000	1	BLADES PU KIT 720MM/28
K1	K3	L08603880	1	ROLLER BUMPER KIT
K1	K4	909 5703 000	1	WHEEL SQUEEGEE KIT
K1	K5	9097637000	1	FIXING SQUEEGEE KIT
	K6	9099769000	1	SUPPORT SQUEEGEE LIFT KIT
	K7	9099770000	1	FIXING SUPPORT SQUEEGEE KIT

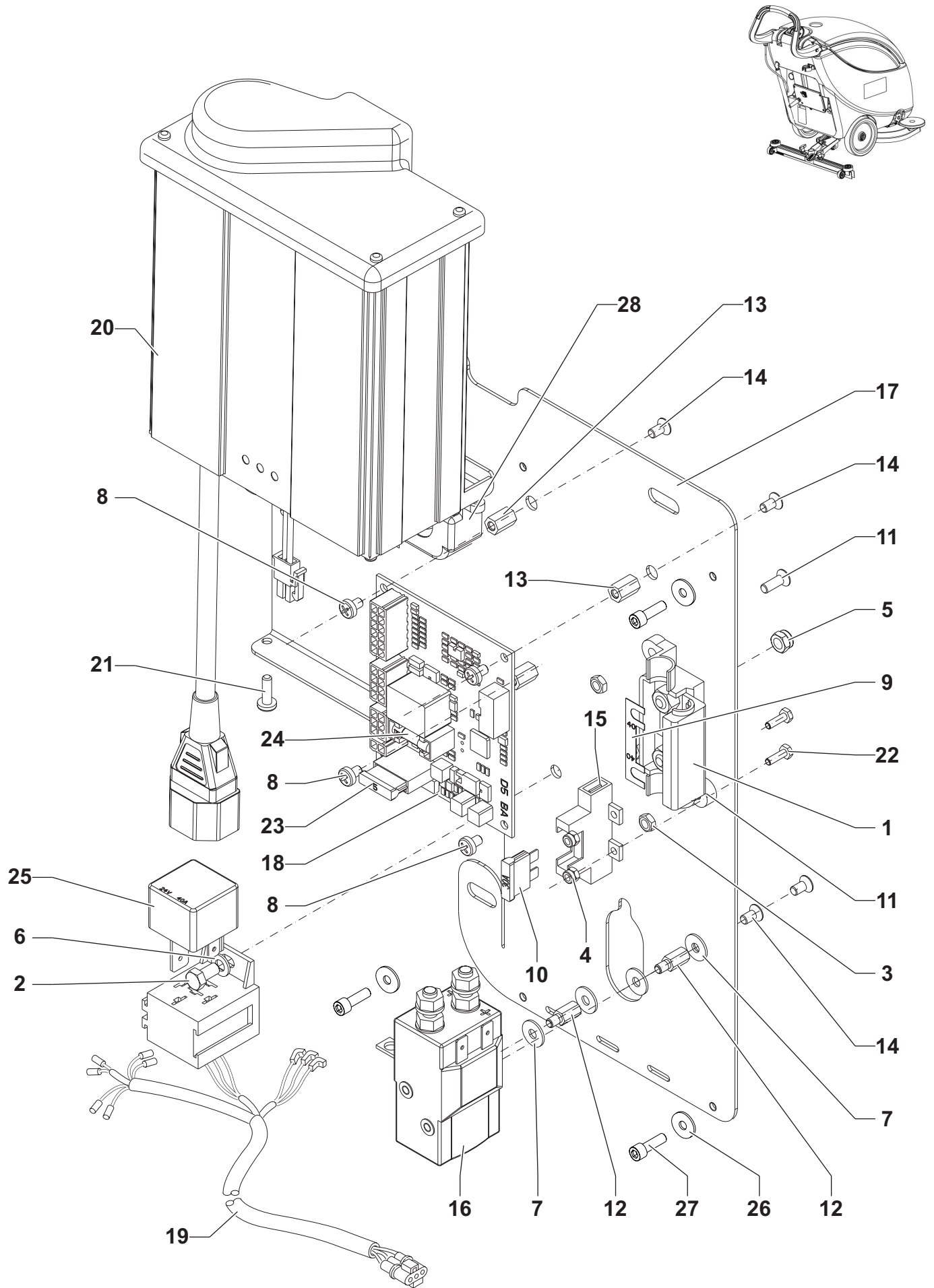
BRUSH SYSTEM



BRUSH SYSTEM

KIT	ITEM	REF. NO.	QTY	DESCRIPTION
	1	9098465000	1	KNOB
K1	2		1	WASHER, FLAT XL
K1	3		6	WASHER, FLAT XL SS
K1	4		1	WASHER 5X15 UNI6593
	5	145 9774 000	1	KEY 5X5X20
K1	6		1	SPACER WITH HOLE
K1	7		1	CLAMP, HOSE 09/12-22
K1	8		1	SCREW, HEX THD TO HD M8X25
K1	9		1	SCREW, HEX THD TO HD M8X30
K1	10		2	NUT, HEX NYL LOC THIN M8
K1	11		2	WASHER, FLAT XL 9X24 COPPER
K1	12		1	NUT, HEX NYL LOC THIN M8 SS
K1	13		4	SCREW, HEX THD TO HD M6X25 SS
K1	14		1	WASHER, FLAT XL SS
K1	15		3	SCREW, PAN HD THD FORM
	16	L08812589	1	HOLDER POLYG.W/FLANGE KIT
	17	L08812480	1	HUB BRUSH
	18	909 5964 000	1	KNOB M8
	19	9099356000	1	BRACKET SUPPORT BRUSH
	20	9097184000	1	VIBRATION DAMPING EI TYPE
	21	9098308000	1	REDUCTION GEARMOTOR 450W 24V (M1)
	22	9098376000	1	BRUSHES KIT
	21	9099805000	1	MOTOR REDUCTION GEAR 520W 24V (M1)
	22	909 6893 000	1	BRUSH CARBON KIT 4PCS (FOR 9099805000)
K1	23		1	SPACER
	24	9099779000	1	HOSE BRUSH DECK KIT
	25	9099093000	1	BRUSH DECK
	26	9099190000	1	SOLUTION PIPE SUPPORT COVER
K1	27		1	SPACER 20X30X7.5
K1	28		1	WASHER 15
	29	L08812204	1	ROLLER BUMPER
K1	30		1	CAP. BLACK
K1	31		1	SPACER 9X15X13
	32	9099771000	1	ADJUSTABLE DECK KIT
K1	33		1	SCREW, HEX M5X16
K1	34		1	SCREW, HEX M8X90
K1	35		1	SCREW, HEX THD TO HD M8X85
K1	36		1	NUT, HEX NYL LOC THIN M10
K1	37		1	BUSHING
K1	38		1	SCREW, SOC HD M12X55
	39	33003977	1	SCREW, HEX THD TO HD M6x30
	40	145 0493 000	1	WASHER, FLAT XL 6,6x24
K1	41		3	SCREW M6X20 UNI5931 SS
K1	42		3	WASHER NORD LOCK M6
	43	9099805000	1	MOTOR REDUCTION GEAR 520W 24V (M1)
	44	9097114000	1	MOTOR 520W 24V
	45	9099851000	1	REDUCTION GEAR
	46	909 6893 000	1	BRUSH CARBON KIT 4PCS
	[K1]	9099772000	1	HARDWARE BRUSH SYSTEM KIT

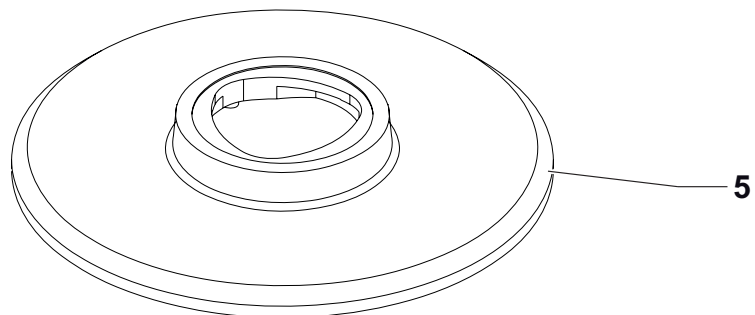
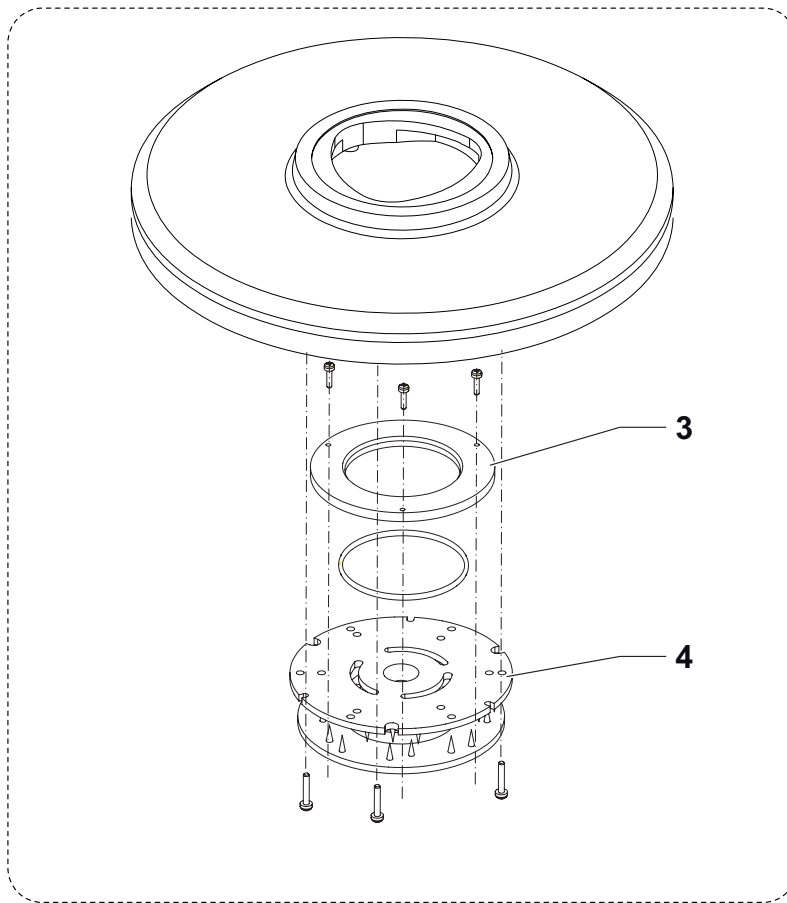
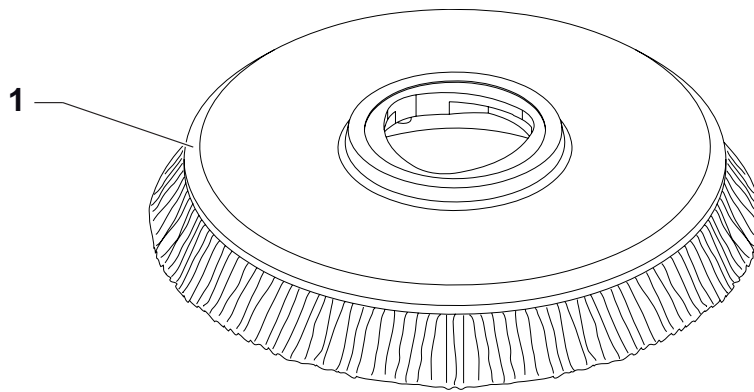
WIRING SYSTEM



WIRING SYSTEM

KIT	ITEM	REF. NO.	QTY	DESCRIPTION
K1	1		1	FUSE HOLDER
K1	2		1	SCREW, HEX THD TO HD M5X10
K1	3		2	NUT, HEX M4
K1	4		2	NUT, HEX NYL LOC M3
K1	5		1	NUT, HEX NYL LOC THIN M5
K1	6		1	WASHER, FLAT 5,3X10
K1	7		4	WASHER, FLAT XL 4,3X16
K1	8		4	SCREW, PAN PHIL M4X6
	9	145 3824 000	1	STRIP FUSE 40A (F1)
	10	145 8513 000	1	30A FUSE, BLADE (F2)
K1	11		2	SCREW, M4X12
K1	12		2	HEX MALE/FEMALE
K1	13			PLASTIC HEXAGONAL SPACER 4
K1	14		6	SCREW M4X8 UNI7688
	15	146 0660 000	1	HOLDER FUSE
	16	9097209000	1	SWITCH ELECTROMAGNETIC 24V 70A (K1)
	17	9098804000	1	PLATE ELECTRICAL COMPONENTS
	18	9099102000	1	ELECTRONIC BOARD BA (EB1)
	19	9099104000	1	ELETTRICI HARNESS ELECTRICAL BOX
	20	9099388000	1	BATTERY CHARGER 24V 8A (CH)
K1	21		2	SCREW, PAN PHIL THD FORM
K1	22		2	SCREW, HEX THD TO HD M3X10
	23	145 9852 000	1	5A FUSE, BLADE (F3)
	24	909 6678 000	1	FUSIBILE 20A VETRO RIT. (F4)
	25	909 6622 000	1	RELAY 24V 40A (K2)
K1	26		3	WASHER, FLAT XL
K1	27		3	SCREW SOC HD
	28	9099387000	1	FERRITE
	[K1]	9099773000	1	HARDWARE WIRING SYSTEM KIT

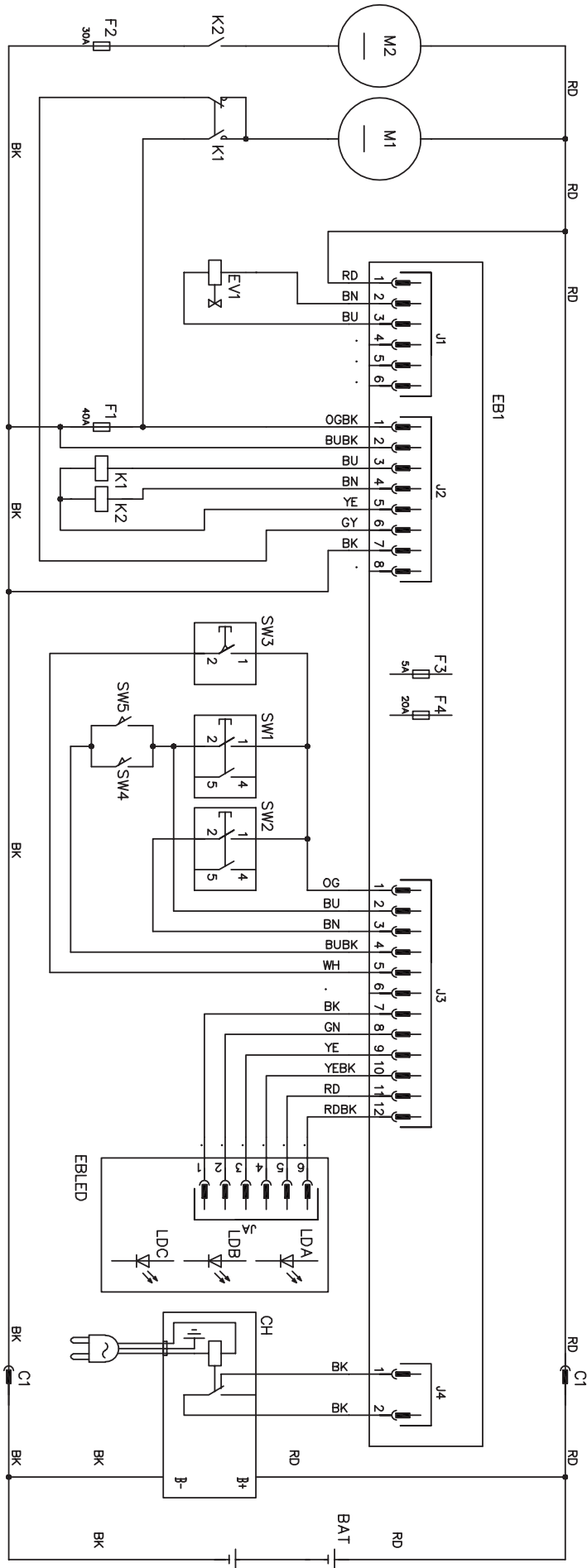
ACCESSORIES



ACCESSORIES

KIT	ITEM	REF. NO.	QTY	DESCRIPTION
	1*	L08812891	1	BRUSH D.430 PROLENE PPL
	1*	909 5691 000	1	BRUSH Ø430 MIDLITE GRIT180
	1*	909 5692 000	1	BRUSH Ø430 MIDRIT 240
	1*	909 5693 000	1	BRUSH Ø430 PROLITE
	1*	909 5694 000	1	BRUSH Ø430 UNION MIX
	2*	909 5695 000	1	PAD HOLDER 410
	3	L08603966	1	RING NYLON
	4	L08837030	1	RETAINER PAD
	4	L08603965	1	SEAL O-RING
	5*	9099669000	1	PAD HOLDER GRIP 17"
	[6]*	10001935	1	PAD 17 432MM ECO CARPET BONNET 6PCS
	[6]*	10001936	1	PAD 17 432MM ECO WHITE 5PCS
	[6]*	10001937	1	PAD 17 432MM ECO TAN 5PCS
	[6]*	10001938	1	PAD 17 432MM ECO BLACK 5PCS
	[6]*	10001939	1	PAD 17 432MM ECO BLUE 5PCS
	[6]*	10001940	1	PAD 17 432MM ECO GREEN 5PCS
	[6]*	10001941	1	PAD 17 432MM ECO RED 5PCS
	[6]*	10002336	1	PAD 17 430MM DIAMOND LINE RED 2PCS
	[6]*	10002337	1	PAD 17 430MM DIAMOND LINE BLUE 2PCS
	[6]*	10002338	1	PAD 17 430MM DIAMOND LINE YELLOW 2PCS
	[6]*	10002339	1	PAD 17 430MM DIAMOND LINE GREEN 2PCS
	[7]*	80542432	1	CHARGER HF 24V 30A OPTIMA SB50R
	[8]*	909 5676 000	1	EXTENTION UK PLUG
	[9]*	80561252	1	BATTERY 12V-52AH AGM SPIRALCELL
	[9]*	80564200	1	BATTERY 12V-50AH AGM MONOBLOC
	[9]*	80561268	1	BATTERY 12V-68AH AGM SPIRALCELL
	[9]*	80564310	1	BATTERY 12V-76AH GEL MONOBLOC
	[9]*	56206988	1	BATTERY 86 AH MAINT-FREE GEL

WIRING DIAGRAM



WIRING DIAGRAM

KEY	REF. NO.	DESCRIPTION
BAT	-	24V BATTERY
C1	9098761000	BATTERY CONNECTOR
CH	9099388000	BATTERY CHARGER
EB1	9099102000	CONTROL PANEL BOARD
EBLED	9099053000	LED BOARD
EV1	9099247000	SOLENOID VALVE DETERGENT
F1	145 3824 000	BRUSH MOTOR FUSE 40A
F2	145 8513 000	VACUUM MOTOR FUSE 30A
F3	145 9852 000	LOW POWER CIRCUIT FUSE 5A
F4	909 6678 000	BRUSH RELEASE FUSE 20A
K1	9097209000	BRUSH MOTOR CONTACTOR
K2	909 6622 000	VACUUM MOTOR RELEAY
LDA	-	GREEN LED
LDB	-	GREEN/YELLOW LED
LDC	-	GREEN/RED LED
M1	9098308000	BRUSH MOTOR
M2	909 5713 000	VACUUM MOTOR
SW1	909 5584 000	BRUSH SWITCH
SW2	909 5584 000	VACUUM SYSTEM SWITCH
SW3	9099107000	WATER FLOW SWITCH
SW4,5	11053A	BRUSH ENABLING SWITCH

KEY	COLOUR	COLORE
BK	BLACK	NERO
BU	LIGHT BLUE	AZZURRO
BN	BROWN	MARRONE
GN	GREEN	VERDE
GY	GREY	GRIGIO
OG	ORANGE	ARANCIONE

KEY	COLOUR	COLORE
PK	PINK	ROSA
RD	RED	ROSSO
VT	VIOLET	VIOLA
WH	WHITE	BIANCO
YE	YELLOW	GIALLO

RECOMMENDED SPARE PARTS

REF. NO.	QTY	DESCRIPTION
		NORMAL WEAR
9097354000	1	BLADES PU KIT 720MM/28
L08812891	1	BRUSH D.430 PROLENE PPL
		ORDINARY MAINTENANCE
909 5713 000	1	MOTOR VACUUM KIT (M2)
909 5371 000	2	CARBON BRUSH
9097404000	1	FILTER SOLUTION
909 5716 000	1	GASKET
909 6289 000	1	SUCTION HOSE
L08603665	1	WHEEL D51 SQUEEGEE
9099106000	1	COVER, PEDAL
L08603880	1	ROLLER BUMPER KIT
909 5703 000	1	WHEEL SQUEEGEE KIT
L08812480	1	HUB BRUSH
9097184000	1	VIBRATION DAMPING EI TYPE
9098376000	1	BRUSHES KIT
		EXTRA-ORDINARY MAINTENANCE
9098446000	1	SOLUTION HOSE 600 MM
909 6380 000	1	CLAMP KIT
9097626000	1	VALVE ELBOW KIT
9099247000	1	SOLENOID VALVE 24V (EV1)
9099705000	1	WHEEL KIT
145 0543 000	2	CLAMP
909 5584 000	1	SWITCH (SW2)
9099107000	1	SINGLE-POLE MOMENTARY SWICHT (SW3)
909 5584 000	1	ROTATIVE SWITCH (SW1)
11053A	2	SWITCH ASSEMBLY KIT (SW4,5)
909 5554 000	1	SQUEEGEE WELDMENT
909 5555 000	4	SPRING
909 5637 000	1	GAS SPRING 180N
9098308000	1	REDUCTION GEARMOTOR 450W 24V (M1)
9099771000	1	ADJUSTABLE DECK KIT
145 3824 000	1	STRIP FUSE 40A (F1)
145 8513 000	1	30A FUSE, BLADE (F2)
9097209000	1	SWITCH ELECTROMAGNETIC 24V 70A (K1)
9099102000	1	ELECTRONIC BOARD BA (EB1)
9099104000	1	ELETTRICI HARNESS ELECTRICAL BOX
9099388000	1	BATTERY CHARGER 24V 8A (CH)

OPTIONAL

REF. NO.	QTY	DESCRIPTION
909 6226 000	1	RUBBER SHOCK ABSORBER KIT
909 5065 000	1	FILTER ANTIFOAMING
9097354000	1	BLADES PU KIT 720MM/28
L08812891	1	BRUSH D.430 PROLENE PPL
909 5691 000	1	BRUSH Ø430 MIDLITE GRIT180
909 5692 000	1	BRUSH Ø430 MIDRIT 240
909 5693 000	1	BRUSH Ø430 PROLITE
909 5694 000	1	BRUSH Ø430 UNION MIX
909 5695 000	1	PAD HOLDER 410
9099669000	1	PAD HOLDER GRIP 17"
10001935	1	PAD 17 432MM ECO CARPET BONNET 6PCS
10001936	1	PAD 17 432MM ECO WHITE 5PCS
10001937	1	PAD 17 432MM ECO TAN 5PCS
10001938	1	PAD 17 432MM ECO BLACK 5PCS
10001939	1	PAD 17 432MM ECO BLUE 5PCS
10001940	1	PAD 17 432MM ECO GREEN 5PCS
10001941	1	PAD 17 432MM ECO RED 5PCS
10002336	1	PAD 17 430MM DIAMOND LINE RED 2PCS
10002337	1	PAD 17 430MM DIAMOND LINE BLUE 2PCS
10002338	1	PAD 17 430MM DIAMOND LINE YELLOW 2PCS
10002339	1	PAD 17 430MM DIAMOND LINE GREEN 2PCS
9099388000	1	BATTERY CHARGER 24V 8A (CH)
80542432	1	CHARGER HF 24V 30A OPTIMA SB50R
909 5676 000	1	EXTENTION UK PLUG
80561252	1	BATTERY 12V-52AH AGM SPIRALCELL
80564200	1	BATTERY 12V-50AH AGM MONOBLOC
80561268	1	BATTERY 12V-68AH AGM SPIRALCELL
80564310	1	BATTERY 12V-76AH GEL MONOBLOC
56206988	1	BATTERY 86 AH MAINT-FREE GEL

Clarke[®]

14600 21st Avenue North
Plymouth, MN 55447-3408
www.clarkeus.com
Phone: 800-253-0367
Fax: 800-825-2753
©2012 Nilfisk-Advance, Inc.

A Nilfisk-Advance Brand