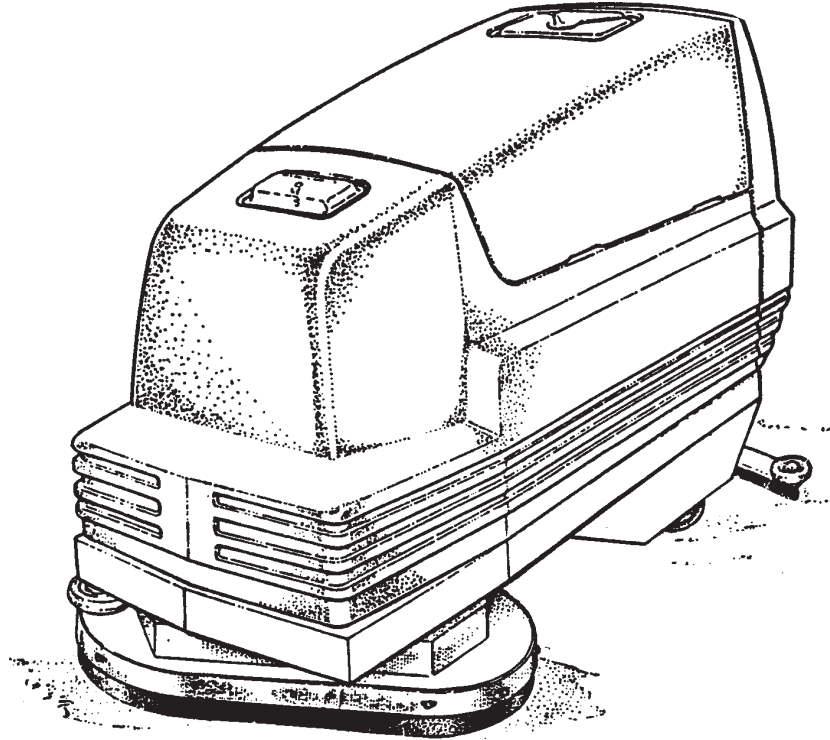


Clarke®



Vision 38I-32I/IX-26I/IX Owner's Manual

Effective Serial No.

32 I - UF3366

26I - UF3387

38I - UF4030

32IX - UI1191

26IX - UI1049

READ THIS BOOK

This book has important information for the use and safe operation of this machine. Failure to read this book prior to operating or attempting any service or maintenance procedure to your Clarke machine could result in injury to you or to other personnel; damage to the machine or other property could occur as well. You must have training in the operation of this machine before using it. If you or your operator(s) cannot read English, have this manual explained fully before attempting to operate this machine.

Si Ud. o sus operadores no pueden leer el Inglés, se hagan explicar este manual completamente antes de tratar el manejo o servicio de esta máquina.

All directions given in this book are as seen from the operator's position at the rear of the machine.

For new books write to: Clarke Industries Inc., 2100 Highway 265, Springdale, Arkansas 72764.

Table of Contents

Operator Safety Instructions	3
Introduction & Machine Specifications	5
Procedures For Transporting	7
Symbols Used On Vision 32 I/IX & 26 I/IX	8
Machine Control Panel 32 I & 26 I	10
Machine Control Panel 32 IX & 26 IX	11
Machine Controls and Features	13
How To Prepare The Machine For Operation	14
How To Install The Batteries	14
Battery Maintenance	15
How To Charge The Batteries	16
How To Install The Brushes Or Pad Drivers	17
How To Remove The Brushes Or Pad Drivers	17
How To Operate The Machine	18
How To Operate The Squeegee	18
How To Fill The Solution Tank	18
How To Clean A Floor	20
How To Correct Problems In The Machine	21
Maintenance	23
Accessories	28

Drawings and Part Lists

Vision 32 IX - 26 IX Rear Cover Assembly Drawing	30
Parts List	31
Vision 38 I - 32 I - 26 I Rear Cover Assembly Drawing	32
Parts List	33
Vision 38 I - 32 I/IX - 26 I/IX Traverse System Assembly Drawing	34
Parts List	35
Vision 32 IX - 26 IX Squeegee & Squeegee Arm Assembly Drawing	36
Parts List	37
Vision 38 I - 32 I - 36 I Squeegee & Squeegee Arm Assembly Drawing	38
Parts List	39
Vision 32 IX Brush Head Assembly Drawing	40
Parts List	41
Vision 38 I - 32 I - 26 I/IX Brush Head Assembly Drawing	42
Parts List	43
Vision 38 I - 32 I/IX - 26 I/IX Solution/Vacuum System Drawing	44
Parts List	45
Vision 38 I - 32 I/IX - 26 I/IX Brush Housing Assembly	46
Parts List	47
Vision 32 IX Brush Motor Drawing & Parts List	48
Vision 38 I - 32 I - 26 IX Brush Motor Drawing & Parts List	49
Vision 38 I - 32 I - 26 I/IX Gear Box Assembly Drawing & Parts List	50
Vision 38 I - 32 I/IX - 26 I/IX Vac Motor	51
Vision 38 I - 32 I/IX - 26 I/IX Traverse Motor Drawing & Parts List	52
36 Volt Battery Charger Drawing & Parts List	53
Vision 38 I - 32 IX - 26 IX Electrical Schematic	54
Vision 38 I - 32 I - 32 I Electrical Schematic	55
Vision 32 IX - 26 IX Connection Diagram (Front of Machine)	56
Vision 38 I - 32 I - 26 I Connection Diagram (Front of Machine)	57
Vision 32 IX - 26 IX Connection Diagram (Rear of Machine)	58
Vision 38 I - 32 I - 26 I Connection Diagram (Rear of Cover)	59
Vision 32 IX - 26 IX Connection Diagram (Inside Rear Cover)	60
Vision 38 I - 32 I - 26 I Connection Diagram (Inside Rear Cover)	61

OPERATOR SAFETY INSTRUCTIONS



WARNING



AVERTISSEMENT



ADVERTENCIA



DANGER:

Failure to read and observe all **DANGER** statements could result in severe bodily injury or death. Read and observe all **DANGER** statements found in your Owner's Manual and on your machine.



WARNING:

Failure to read and observe all **WARNING** statements could result in injury to you or to other personnel; property damage could occur as well. Read and observe all **WARNING** statements found in your Owner's Manual and on your machine.



CAUTION:

Failure to read and observe all **CAUTION** statements could result in damage to the machine or to other property. Read and observe all **CAUTION** statements found in our Owner's Manual and on your machine.



DANGER:

Failure to read the Owner's Manual prior to operating or attempting any service or maintenance procedure to your Clarke machine could result in injury to you or to other personnel; damage to the machine or to other property could occur as well. You must have training in the operation of this machine before using it. If you or your operator(s) cannot read English, have this manual explained fully before attempting to operate this machine.



DANGER:

Operating a machine that is not completely or fully assembled could result in injury or property damage. Do not operate this machine until it is completely assembled. Inspect the machine carefully before operation.



DANGER:

Machines can cause an explosion when operated near flammable materials and vapors. Do not use this machine with or near fuels, grain dust, solvents, thinners, or other flammable materials.



DANGER:

Lead acid batteries generate gases which can cause an explosion. Keep sparks and flames away from batteries. Do not smoke around the machine. Charge the batteries only in an area with good ventilation. Make sure that you unplug the AC charger from the wall outlet before disconnecting from the machine.



DANGER:

Working with batteries can be dangerous! Always wear eye protection and protective clothing when working near batteries. Remove all jewelry. Do not put tools or other metal objects across the battery terminals, or the tops of the batteries.



DANGER:

Using a charger with a damaged power cord could result in an electrocution. Do not use the charger if the power cord is damaged.



WARNING:

Operating this machine from anywhere other than the back of the machine could result in injury or damage. Operate this machine only from the rear.











WARNING:

This machine is heavy. Get assistance before attempting to transport or move it. Use two able persons to move the machine on a ramp or incline. Always move slowly. Do not turn the machine on a ramp. Do not stop and leave the machine on a ramp or incline. Read the "Procedures For Transporting" in this manual before transporting.



WARNING:

Machines can topple over if guided over the edges of stairs or loading docks and cause injury or damage. Stop and leave this machine only on a level surface. When you stop the machine, turn the key "OFF". Set the parking brake.

-  **WARNING:** Maintenance and repairs performed by unauthorized personnel could result in damage or injury. Maintenance and repairs must be performed by authorized Clarke personnel only.
-  **WARNING:** Any alterations or modifications of this machine could result in damage to the machine or injury to the operator or other bystanders. Alterations or modifications not authorized by the manufacturer voids any and all warranties and liabilities.
-  **WARNING:** Electrical components of this machine can "short-out" if exposed to water or moisture. Keep the electrical components of the machine dry. Wipe the machine down after each use. For storage, keep the machine in a dry building.
-  **WARNING:** Operating a machine without observing all labels and instructional information could result in injury or damage. Read all machine labels before attempting to operate. Make sure all of the labels and instructional information are attached or fastened to the machine. Get replacement labels and plates from your Clarke distributor.
-  **WARNING:** Wet floor surfaces can be slippery. Water solutions or cleaning materials used with this type of machine can leave wet areas on the floor surface. These areas can cause a dangerous condition for the operator or other persons. Always put "Caution" signs around/near the area you are cleaning.
-  **WARNING:** Improper discharge of waste water may damage the environment and be illegal. The United States Environmental Protection Agency has established certain regulations regarding discharge of waste water. Also, city and state regulations regarding this discharge may be in your area. Understand and follow the regulations in your area. Be aware of the environmental hazards of chemicals that you dispose.
-  **CAUTION:** Use of this machine to move other objects or to climb on could result in injury or damage. Do not use this machine as a step or furniture. Do not ride on this machine.
-  **CAUTION:** Your machine warranty will be voided if anything other than genuine Clarke parts are used on your machine. Always use Clarke parts for replacement.

Introduction & Machine Specifications

Introduction & Machine Specifications

Clarke's newly designed Vision 38, 32 & 26 automatic scrubbers are efficient and superior floor cleaning machines. The Vision 38 uses two brushes or pads to scrub a path 38 inches wide. The Vision 32 uses two brushes or pads to scrub a path 32 inches wide. The Vision 26 uses two brushes or pads to scrub a path 26 inches wide. A squeegee wipes the floor while the vacuum motor removes the dirty solution from the floor - all in one pass.

The Vision 38, 32 or Vision 26 automatic scrubbers come complete with six - 6 volt batteries, five battery connector cables, one battery cable assembly, one battery charger, either two brushes or two pad drivers, and one operator's manual.

SPECIFICATIONS:

Model	32IX-00320A	26IX-00300A	26I-00260A
Motor, Vac	1 HP (67kw) three stage tangential discharge	1HP (67kw) three stage tagential discharge	1HP (67kw)three stage tagential discharge
Power Supply	36 volt (6-6V batteries) 250AH, 330AH, or 370AH	36 volt (6-6V batteries) 250AH, 330AH, or 330AH	36 volt (6-6V batteries) 250AH, 330AH, or 370AH
Solution Tank	30 gallon (114 liter)	25 gallon (95 liter)	25 gallon (95 liter)
Recovery Tank	30 gallon (114 liter)	30 gallon (114 liter)	25 gallon (95 liter)
Parabolic Squeegee	40 inches	37 inches	37 inches
Motors, Brush (2)	1 hp PM (.74kw)	.75hp PM (.56kw)	.75 hp PM (.56kw)
Motor Traction	.50 hp PM (.37kw)	.50 hp PM (.37kw)	.50 hp PM (.37kw)
Drive Train	Direct Drive, Roller Chain	Direct Drive, Roller Chain	Direct Drive, Roller Chain
Brushes (2)	17 inch (43cm) w/2" (5cm) overlap	17 inch (43cm) w/2" (5cm) overlap	14 inch (36cm) w/2" (5cm) overlap
Brush Speed	200 rpm	200 rpm	200 rpm
Brush Pressure	Variable 180 lbs-220lbs	Variable 180 lbs-220 lbs	180lbs
Speed, Forward	Variable to 220 ft/min.	3 speeds to 220ft/min.	3 speeds to 220ft/min.
Speed, Reverse	Variable to 170ft/min.	2 speeds to 170ft/min.	2 speeds to 170ft/min.
Drive Wheel	12"x6" (30x15cm)	12"x6" (30x15cm)	12"x6" (30x15cm)
Charger	36V, 25A, 115V/60hz	36V, 25A, 115V/60hz	36V, 25A, 115V/60hz
Length	63.5 inches (162cm)	63.5 inches (162cm)	62.5 inches (159cm)
Width	34.5 inches (88cm)	34.5 inches (88cm)	29.5 inches (75cm)
Height	43 inches (109cm)	43 inches (109cm)	42 inches (106cm)
Cleaning Rate	35,000 sq ft/hr (3,252 sq. m/hr)	29,000 sq ft/hr (2,694 sq. m/hr)	29,000 sq. ft/hr (2,694 sq. m/hr)
Cleaning Swath	32 inch (81cm)	32 inch (81cm)	26 inch (66cm)
Grade Cleaning	5° Incline	5° Incline	5° Incline
Weight w/Batteries (330AH)	1,240 lbs.	1,210 lbs.	1,170 lbs.
Shipping Weight w/batteries (330AH)	1,350 lbs.	1,320 lbs.	1,280 lbs.


Introduction & Machine Specifications (Con't)

SPECIFICATIONS:

Model	32I-00280A	38I-00490A
Motor, Vac	1 HP (67kw) three stage tangential discharge	1HP (67kw) three stage tagential discharge
Power Supply	36 volt (6-6V batteries) 250AH, 330AH, or 370AH	36 volt (6-6V batteries) 250AH, 330AH, or 330AH
Solution Tank	30 gallon (114 liter)	30 gallon (114 liter)
Recovery Tank	30 gallon (114 liter)	30 gallon (114 liter)
Parabolic Squeegee	40 inches	46 inches
Motors, Brush (2)	.75 hp PM (.56kw)	1 hp PM (.74kw)
Motor Traction	.50 hp PM (.37kw)	.50 hp PM (.37kw)
Drive Train	Direct Drive, Roller Chain	Direct Drive, Roller Chain
Brushes (2)	17 inch (43cm) w/2" (5cm) overlap	19 inch (48cm) w/1" (3 cm) overlap
Brush Speed	200 rpm	200 rpm
Brush Pressure	140 lbs.	165 lbs
Speed, Forward	3 speeds to 220ft/min.	3 speeds to 220ft/min.
Speed, Reverse	2 speeds to 170ft/min.	2 speeds to 170ft/min.
Drive Wheel	12"x6" (30x15cm)	12"x6" (30x15cm)
Charger	36V, 25A, 115V/60hz	36V, 25A, 115V/60hz
Length	63.5 inches (162cm)	65 inches (165cm)
Width	34.5 inches (88cm)	40.5 inches (103 cm)
Height	43 inches (109cm)	43 inches (109 cm)
Cleaning Rate	35,000 sq ft/hr (3,252 sq. m/hr)	42,000 sq ft/hr (3,901sq. m/hr)
Cleaning Swath	32 inch (81cm)	38 inch (97 cm)
Grade Cleaning	5° Incline	5° Incline
Weight w/Batteries (330AH)	1,210 lbs.	1,230 lbs.
Shipping Weight w/batteries (330AH)	1,320 lbs.	1,340 lbs.

PROCEDURES FOR TRANSPORTING

How To Put The Machine In A Van Or Truck

 **WARNING:** The machine is heavy. Make sure you use two able persons to assist the machine in climbing the ramp.

1. Make sure the loading ramp is at least eight (8) feet long, and strong enough to support the machine.
2. Make sure the ramp is clean and dry.
3. Put the ramp in position.
4. Remove squeegee assembly, brush housings, & brushes or pad drivers before loading.
5. Turn key switch "ON".
6. Align the machine on a level surface ten (10) feet in front of the ramp.
7. Put the traverse speed switch in the "HI" position.
8. Push the control handles toward the machine all the way.
9. Push the machine to the top of the ramp.
10. Engage the parking brake.
11. Turn the key switch "OFF".
12. Fasten the machine to the vehicle.

How To Remove The Machine From A Van Or Truck

1. Make sure there are no obstructions in the area.
2. Make sure the unloading ramp is at least eight (8) feet long and strong enough to support the machine.
3. Make sure the ramp is clean and dry.
4. Put the ramp in position.
5. Unfasten the machine.

 **WARNING:** The machine is heavy. Make sure you use two able persons to assist in moving the machine down the ramp.

6. Turn the key switch "ON".
7. Release the parking brake.
8. Put the traverse speed switch in the "HI" position.
9. Carefully and slowly, pull the machine to the top of the ramp.
10. As the machine begins to travel down the ramp, push the control handles toward the machine to maintain a slow downward speed.
11. Replace squeegee assembly, brush housings, & brushes or pad drivers after the machine is unloaded and ready to use.

SYMBOLS USED ON VISION 38I, 32I & 26I



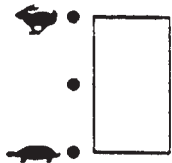
Warning (Also used on IX Models)



Power (Also used on IX Models)



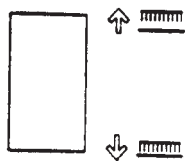
On/Off Key Switch (Also used on IX Models)



Traverse Speed



Solution Control (Also used on IX Models)

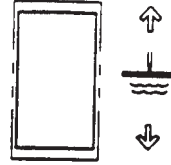


Brush Up/Down

SYMBOLS USED ON VISION 32 IX & 26 IX



Traverse Speed Control



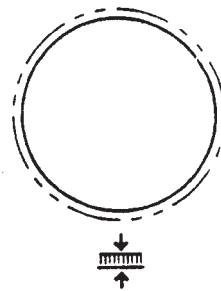
Squeegee/Vacuum



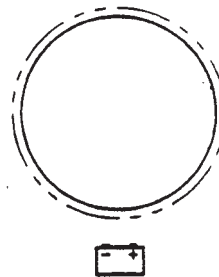
Brush Up/Down



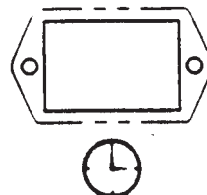
Brush Pressure Increase/Decrease



Brush Pressure Meter



Battery Meter



Hour Meter

MACHINE CONTROL PANEL (38 I, 32 I & 26 I)

Key Switch (See Figure #1, Item "A")

The key switch turns "ON" the power to the control panel. "0" is "OFF" and "1" is "on".

Traverse Speed Switch (See Figure #1, Item "B")

The speed switch has three positions: High, Medium, and Low speeds.

Brush Position Switch (See Figure #1, Item "C")

The brush switch has two positions: "Up" positions the brushes up; "Down" positions the brushes on the floor. The brush motors start when the brushes are down.

Solution Control Knob (See Figure #1, Item "D")

The solution control knob regulates the flow of cleaning solution to the floor. To increase the flow turn the knob clockwise. To decrease the flow, turn the knob counter-clockwise.

Control Handles (See Figure #1, Item "E")

The control handles are located at the rear of the machine. They control the direction of the machine. Push forward to go forward. (See Figure #3, page 9). Pull back to move in reverse. (See Figure #4, page 9).

Circuit Breakers (See Figure #1, Item "F"- "J")

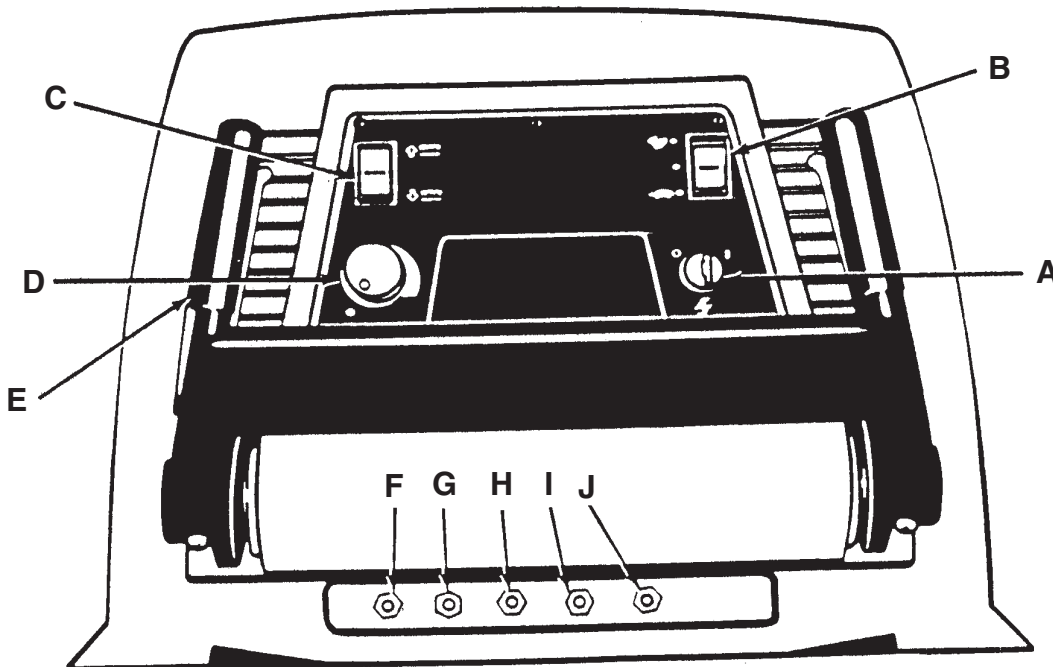
The circuit breaker reset buttons are located on the rear cover, below the control handle. The breakers are located as follows: Item F & G - Brush Motors (35A, 38I, 32I, 26I)

Item H - Traverse Motor (30A)

Item I - Vac Motor (25A)

Item J - Actuator Motor, Brush Head (5A)

If a circuit breaker trips, determine which motor is not operating and turn the key switch "OFF". Wait five minutes and push the reset button back in. Turn the key switch "ON", and try again. An authorized service person should be contacted if the breaker trips again.



MACHINE CONTROL PANEL (32 IX & 26 IX)

Key Switch (See Figure #2, Item "A")

The key switch turns "ON" the power to the control panel. "0" is "OFF" and "1" is "on".

Traverse Speed Control Knob (See Figure #2, Item "B")

The speed control varies from low to high speed. To increase the speed, turn the knob to the right. To decrease the speed, turn the knob to the left.

Brush Position Switch (See Figure #2, Item "C")

The brush switch has two positions: "Up" positions the brushes up; "Down" positions the brushes on the floor. The brush motors will not run on the 32 IX/26 IX until the control handles are activated.

Brush Pressure Switch (See Figure #2, Item "D")

The brush pressure switch is used to increase the pressure on the brushes from the initial scrub position, down to a maximum position. The pressure can also be decreased back to the scrub position by jogging the switch back up.

Solution Control Knob (See Figure #2, Item "E")

The solution control knob regulates the flow of cleaning solution to the floor. To increase the flow turn the knob clockwise. To decrease the flow, turn the knob counter-clockwise.

Squeegee Position Switch (See Figure #2, Item "F")

The 3 position squeegee switch positions the squeegee either: (1) Up with vac motor "OFF", (2) Up with vac motor "ON", or (3) Down with vac motor "ON". The squeegee will automatically raise up when the control handles are pulled into reverse.

Control Handles (See Figure #2, Item "G")

The control handles control the direction that the machine moves. They are at the back of the machine. Push forward to go forward (see figure #3), pull back to move in reverse (see figure #4).

Note: The reverse speed is automatically reduced by approximately 30 percent. Releasing the control handles to the center position applies a dynamic brake to the traverse motor to slow the machine down. If the machine is scrubbing and the control handles are released, the brush motors will stop after two seconds.

Battery Meter (See Figure #2, Item "H")

The battery meter indicates the relative charge on the battery pack. Do not continue to run the machine when the needle is in the "red" area. This will shorten the life of the battery.

Brush Pressure Meter (See Figure #2, Item "I")

The brush pressure meter indicates the relative amount of pressure the brushes or pads are putting on the floor. To maximize run time on a battery charge, keep the needle towards the center of the green area. To avoid damage to the brush motors, do not run the machine in the "red" area.

Hour Meter (See Figure #2, Item "J")

The hour meter indicates the number of hours the machine has operated. It runs only when the machine is moving forward or reverse.

MACHINE CONTROL PANEL (32 IX & 26 IX)

Circuit Breakers (See Figure #2, Item "K"-"P")

The circuit breaker reset buttons are located on the rear cover, below the control handle. The breakers are located as follows:

- Item K & L - Brush Motors (35A, 32IX, 26IX)
- Item M - Traverse Motor (30A)
- Item N - Vac Motor (25A)
- Item O - Actuator Motor, Brush Head (5A)
- Item P - Actuator Motor, Squeegee (1.5 Amp)

If a circuit breaker trips, determine which motor is not operating and turn the key switch "OFF". Wait five minutes and push the reset button back in. Turn the key switch "on" and try again. Contact an authorized service person if the breaker trips again.

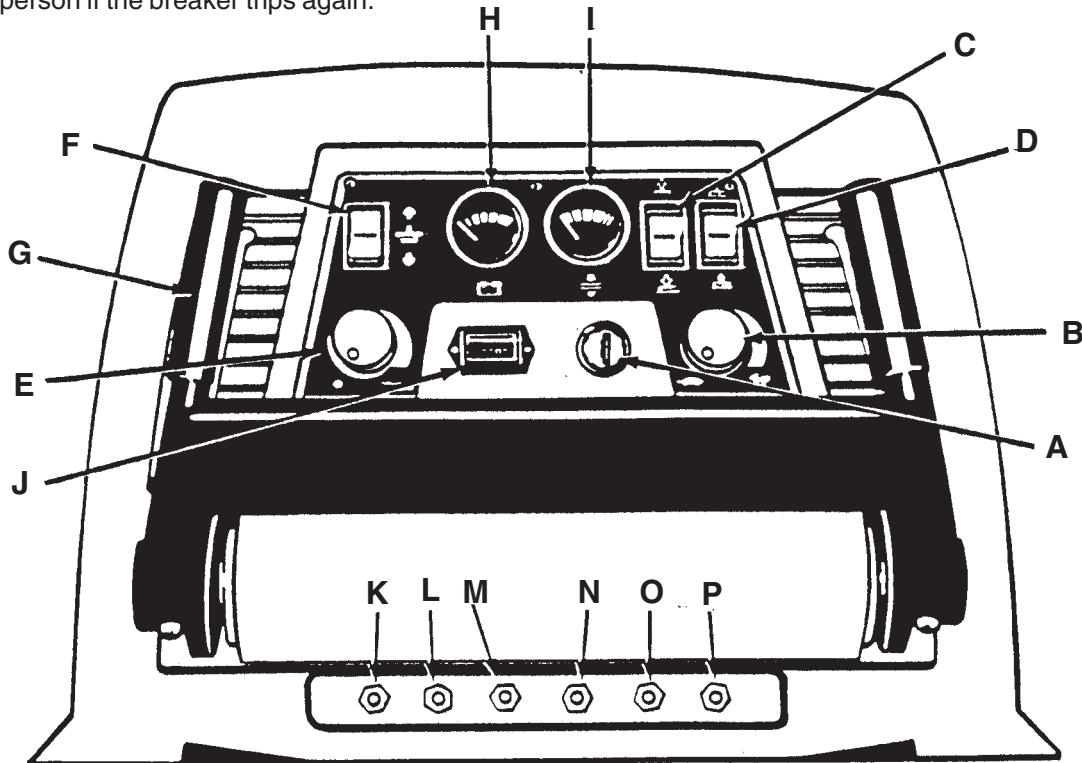


Figure #2

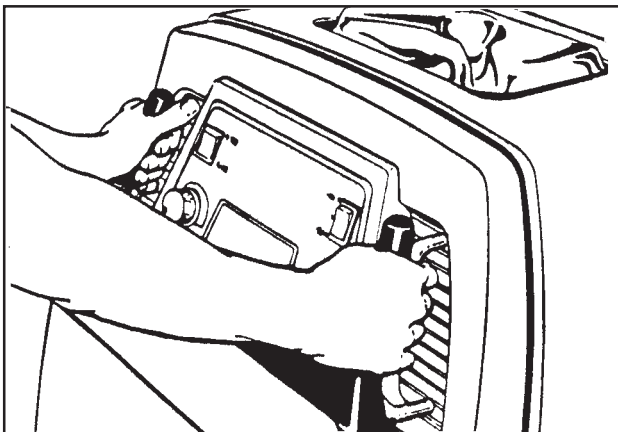


Figure #3

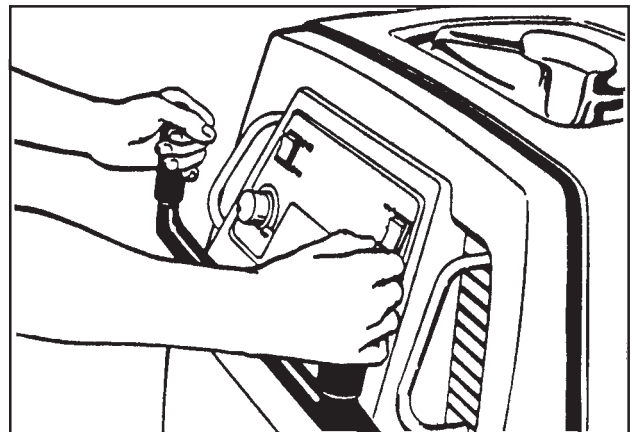


Figure #4

MACHINE CONTROLS & FEATURES

Squeegee Lift Handle. See Figure #5a & #5b.

The squeegee lift handle is located below the control handles on the right side. It is used to raise or lower the squeegee. The vac motor is turned on when the handle is lowered. (38 I, 32 I & 26 I models only).

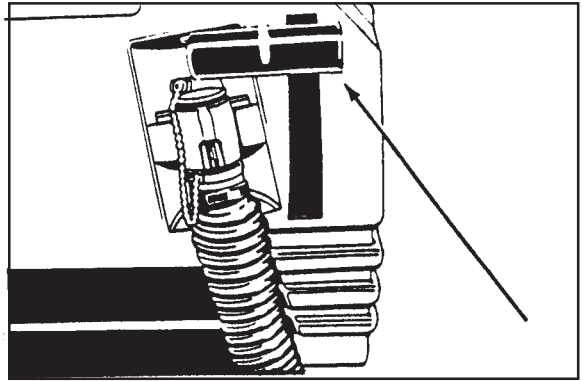


Figure #5a

Float Shut Off. See Figure #6.

The shut-off switch for the vac motor is located in the recovery tank. It automatically turns off the vac motor when the recovery tank is full.

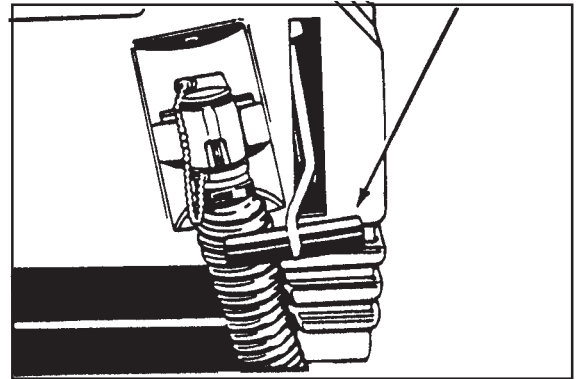


Figure #5b.

Parking Brake. See Figure #7a & #7b.

The parking brake prevents movement of the machine. It is located at the rear lower left side of the machine. To engage the brake, push the pedal down (Figure #7a). To release the brake, lift pedal up (Figure #7b).

⚠ CAUTION: Do not activate the brake while the machine is moving.

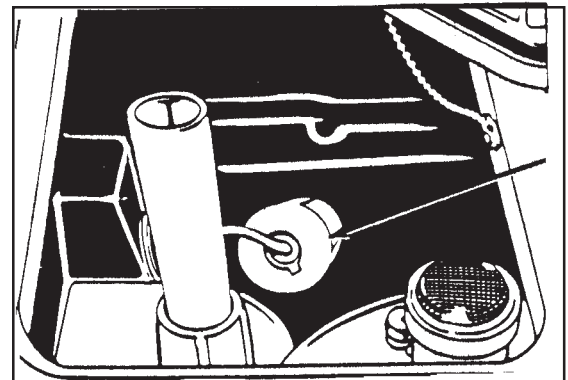


Figure #6.

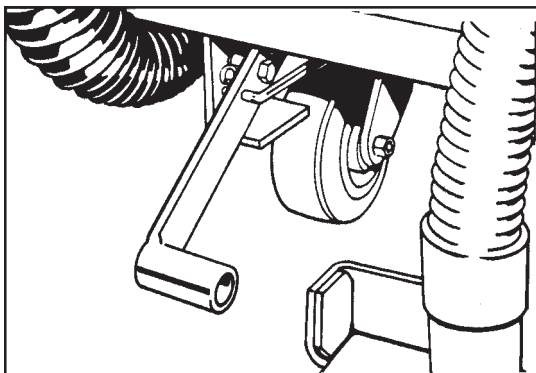


Figure #7a.

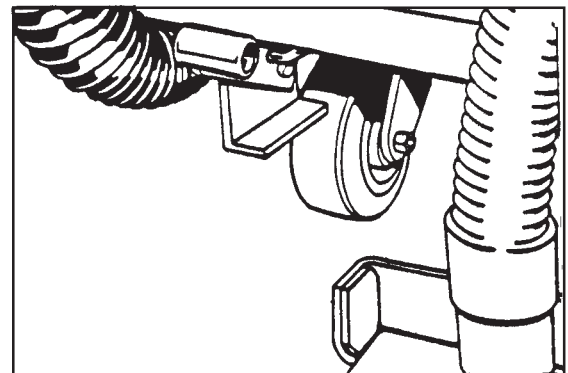


Figure #7b.

HOW TO PREPARE THE MACHINE FOR OPERATION

How To Install The Batteries

The 38, 32 and 26 Vision machines use six 6-volt or three 12-volt batteries. The batteries are located in the battery compartment under the recovery tank.

To Install the batteries, follow this procedure:

1. Set the parking brake.
2. Make sure both tanks are empty.
3. Disconnect the hoses from the recovery tank (upper tank) & unplug the vac motor. Remove the recovery tank.
4. Remove the two screws that attach the solution tank (lower tank) to the back of the frame, leaving the two angle brackets attached to the tank.
5. Disconnect the two hoses under the right side and remove the solution tank.
6. Place the batteries in the tray as shown in figure #8a, #8b, or #8c.

⚠ WARNING: Lifting batteries without help could result in an injury. Get help to lift the batteries. The batteries are heavy.

⚠ WARNING: Working with batteries can be dangerous. Always wear eye protection and protective clothing when working near batteries. **NO SMOKING!**

7. Connect the battery cables between batteries and install long battery cable assembly as indicated. See figure #8.
8. Join the connector from the battery pack to the connector on the control panel. See figure #9.
9. Install the tank, reconnecting hoses and replace the two screws attaching the solution tank to the rear of the frame.

NOTE: Charge the batteries before using the machine.

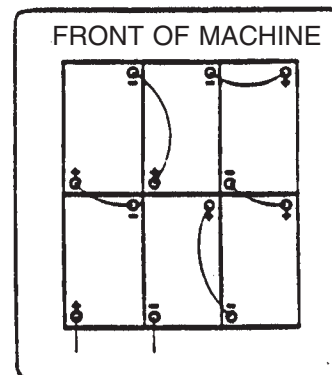


Figure #8a

All 6 Volt Poly Case Batteries

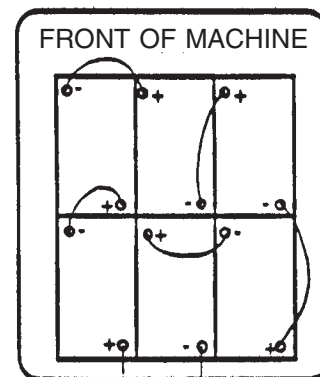


Figure #8b

330 AH, 6 Volt Black Rubber Case Battery

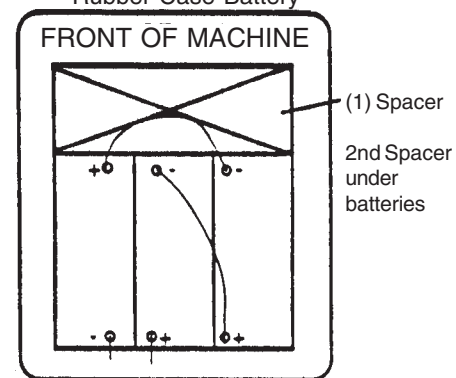


Figure #8c

12 Volt Battery Option

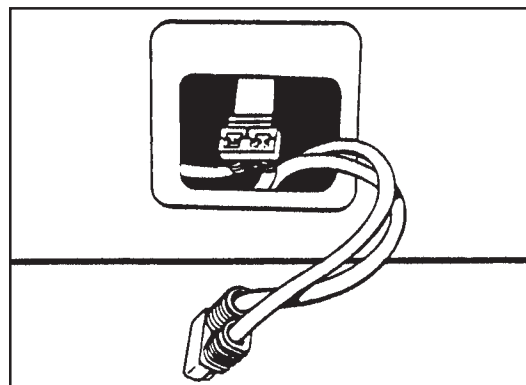


Figure #9

HOW TO PREPARE THE MACHINE FOR OPERATION

Battery Maintenance

The electrical power to operate the machine comes from the storage batteries. Storage batteries need preventive maintenance.

⚠ WARNING: Working with batteries can be dangerous. Always wear eye protection and protective clothing when working near batteries.
NO SMOKING!

To maintain the batteries in good condition, follow these instructions:

1. Keep the electrolyte at the correct level. The correct level is between 1/4" below the bottom of the tube in each cell and above the tops of the plates. Check the level of the electrolyte each time you charge the batteries. See figure #10.

NOTE: Check the level of electrolyte prior to charging the batteries. Be sure the plates in each cell are covered with electrolyte. Do not top off the cells prior to charging the battery. Electrolyte expands during charging. As a result, the electrolyte could overflow from the cells. Always top off the cells with distilled water after charging.

⚠ CAUTION: Irreversible damage will occur to the batteries if the electrolyte level does not cover the plates. Keep the electrolyte at the correct level.

⚠ CAUTION: Machine damage and discharge across the tops of the batteries can occur if the batteries are filled above the bottom of the tube in each cell. Do not fill the batteries up to the bottom of the tube in each cell. Wipe any acid from the machine or the tops of the batteries. Never add acid to a battery after installation.

⚠ CAUTION: Tap water may contain contaminants that will damage batteries. Batteries must be re-filled with distilled water only.

2. Keep the tops of the batteries clean and dry. Keep the terminals and connectors clean. To clean the top of the batteries, use a damp cloth with a weak solution of ammonia or bicarbonate of soda solution. To clean the terminals and connectors, use a terminal and connector cleaning tool. Do not allow ammonia or bicarbonate of soda to get into batteries.
3. Keep the batteries charged.

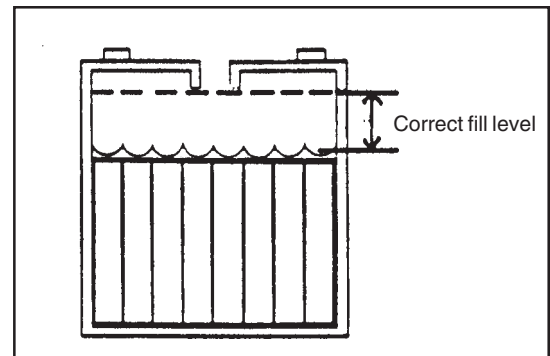


Figure #10

HOW TO PREPARE THE MACHINE FOR OPERATION

How To Charge The Batteries

- ⚠ WARNING:** Charging the batteries in an area without adequate ventilation could result in an explosion. To prevent an explosion, charge the batteries only in an area with good ventilation.
- ⚠ WARNING:** Lead acid batteries generate gases which could explode. Keep sparks and flames away from batteries. **NO SMOKING!**
- ⚠ WARNING:** Failure to disconnect the AC plug from the wall receptacle before connecting or disconnecting the DC connector on the charger could result in an explosion. Always disconnect the AC plug from the wall receptacle before connecting or disconnecting the DC connector on the charger.

To charge the batteries, follow this procedure:

1. Put the charger on a flat surface. Make sure the vents on the sides are at least two inches away from walls and other objects. Make sure there are no objects near the vents on the bottom of the charger.
2. Set the parking brake by putting it into the down position. See figure #11. Make sure the key switch is "OFF" position.
3. Disconnect the battery pack connector from the control housing connector. See figure # 12 .
4. Connect the DC connector on the charger to the battery pack connector. See figure #13.
5. Connect the charger to a properly grounded single phase (3-wire) wall receptacle having the voltage, frequency, and ampere capacity specified on the nameplate of the charger.

For more instruction on the use of the charger, read the instruction book supplied with the charger.

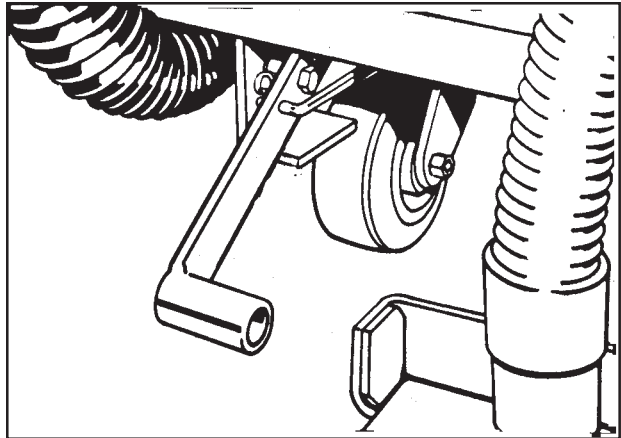


Figure # 11

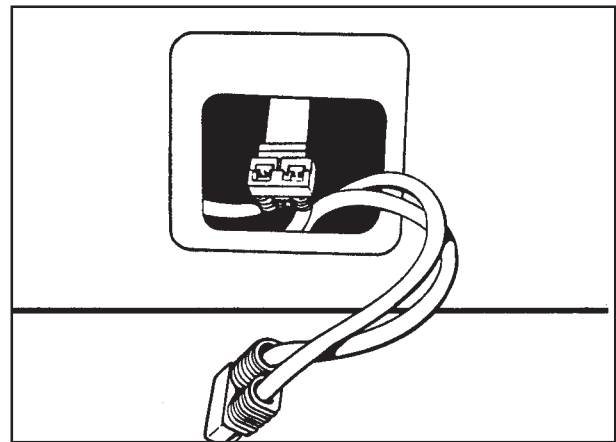


Figure #12

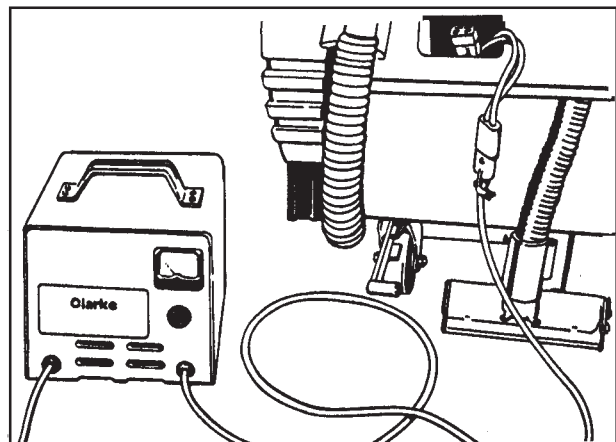


Figure #13

HOW TO PREPARE THE MACHINE FOR OPERATION

How To Install The Brushes Or Pad Drivers

To install the brushes or pad drivers on the machine, follow this procedure:

1. Engage the parking brake.
2. Turn the key switch "ON".
3. Put the brush switch in the "UP" position.
4. Turn the key switch "OFF".
5. Go to the front of the machine.
6. Pull out the brush housing pin and remove the right and left brush housings.
7. Put a brush or pad driver under the brush motor plate. See figure #14.
8. Align the lugs on the motor gimbal with the slots in the brush gimbal.
9. Pull the brush up until the gimbal locks.
10. Repeat steps 7, 8, and 9 to install the second brush or pad driver.

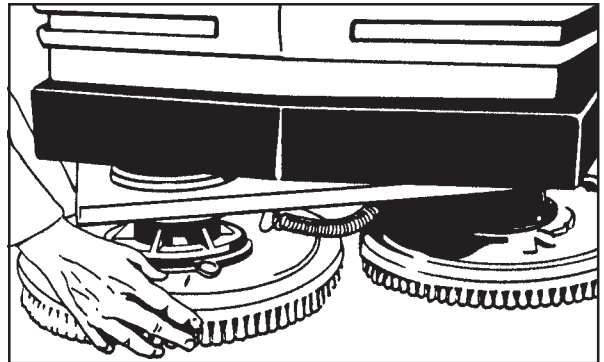


Figure # 14

How To Remove The Brushes Or Pad Drivers

To remove the brushes or pad drivers from the machine, follow this procedure:

1. Engage the parking brake.
2. Turn the key switch "ON".
3. Put the brush switch in the "UP" position.
4. Turn the key switch "OFF".
5. Go to the front of the machine.
6. Push down on two sides of the brush or pad driver until the gimbals release.

HOW TO OPERATE THE MACHINE

How To Operate the Squeegee (I models only)

The squeegee wipes the floor while the vacuum motor removes the dirty solution from the floor. Use your right hand to lower or raise the squeegee handle. To operate the squeegee, follow this procedure:

1. To lower the squeegee and start the vac motor move the squeegee lever to the right and down. See figure #15a.
2. To raise the squeegee, lift the squeegee lever up. See figure #15b.

Note: The center position lets the vac motor continue to run with the squeegee off the floor to avoid drips.

How to Fill The Solution Tank

⚠ CAUTION: Make sure water or solution does not enter the opening for the vacuum motor. See figure #16.

The solution tank lid is at the front. To fill the solution tank follow this procedure:

1. Remove the solution tank lid. See figure #17
2. Fill the solution tank with water.
3. Add a cleaning chemical to the water. for the correct amount, follow the directions shown on the container.
4. Replace the solution tank lid.

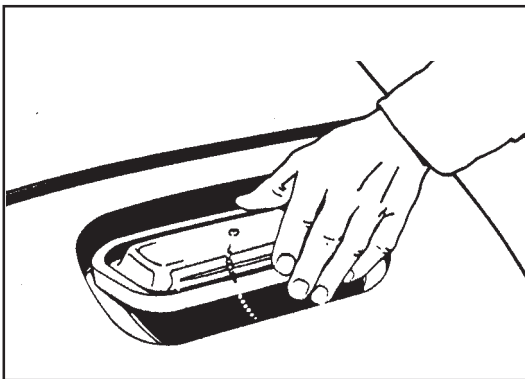


Figure #17

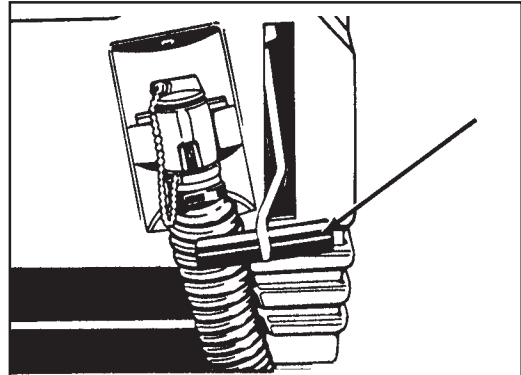


Figure #15a

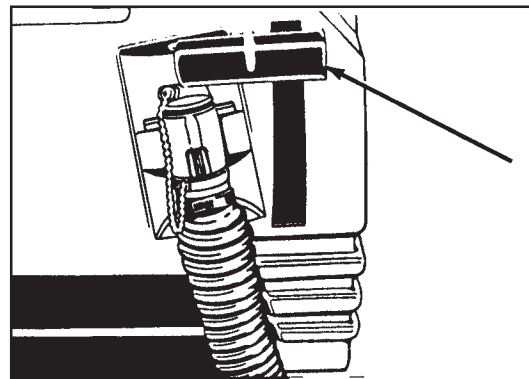


Figure #15b

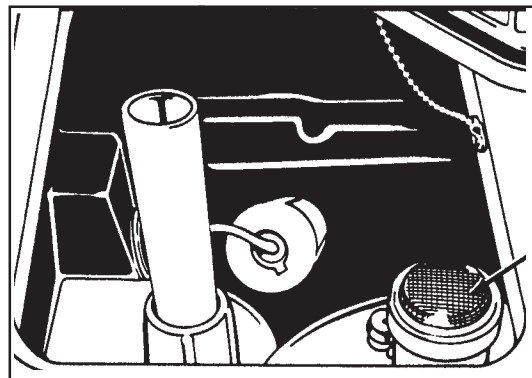


Figure #16

HOW TO OPERATE THE MACHINE (cont.)

⚠ WARNING: Water solutions or cleaning materials used with this type of machine can leave wet areas on the floor surface. These areas can cause a dangerous condition for the operator or other persons. Always put CAUTION signs near the area you are cleaning.

⚠ WARNING: Machines can ignite flammable materials and vapors. Do not use with or near flammables such as gasoline, grain dust, solvents and thinners. Only use a cleaning concentrate recommended by the chemical manufacturer.

NOTE: Put the machine in the "LO" traverse speed. Use the machine in an area that has no furniture and objects until you can do the following:

1. Move the machine in a straight direction, forward and backward.
2. Stop the machine safely.
3. Move the machine in a straight direction after you turn the machine.

To move the machine, follow this procedure:

1. Release the parking brake.
2. Turn the key switch "ON" position.
3. Put the brush switch in the "UP" position.
4. Raise the squeegee.
5. To go forward, push the control handles toward the machine. See figure #18.
6. To stop the machine, put the handles in the center position.
7. To go backward, pull the handles away from the machine. See figure #19.
8. To turn the machine, push the rear of the machine to the side.
9. When you stop the machine, turn the key switch "OFF".
10. Set the parking brake.

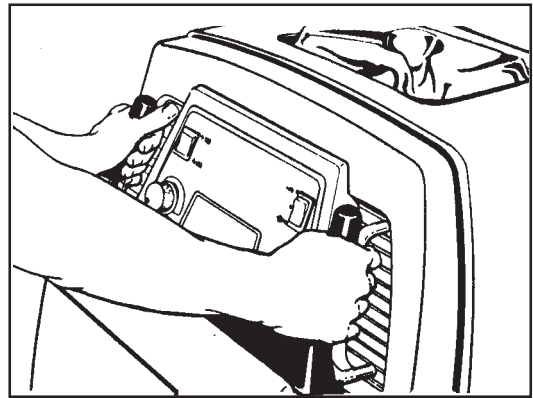


Figure # 18

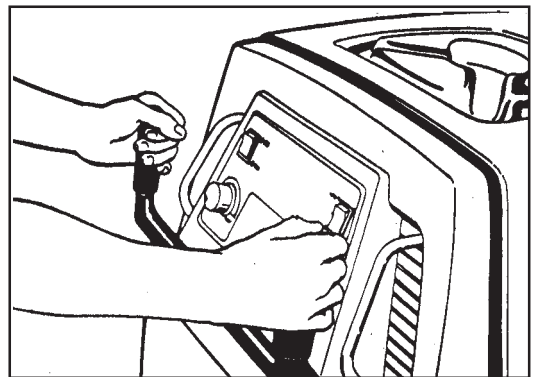


Figure #19

HOW TO OPERATE THE MACHINE (cont.)

HOW TO CLEAN A FLOOR

▲ WARNING: Water solutions or cleaning materials used with this type of machine can leave wet areas on the floor surfaces. These areas can cause a dangerous condition for the operator or other persons. Always put CAUTION signs near the area you are cleaning.

To clean a floor, follow this procedure:

1. Set the parking brake.
2. Put the water and a cleaning chemical in the clean solution tank.
3. Release the parking brake.
4. Turn the key switch "ON".
5. Lower the squeegee.
6. Put the brush switch in the "DOWN" position.

NOTE: Keep the machine moving when the brushes are rotating on the floor. (I models only)

7. Turn the solution knob to the right to activate the flow of solution. Adjust the flow of clean solution to the flow desired.
8. Move the machine across the floor in the forward direction. See figure #20 (1).
9. When the machine is one machine length from the end of the area to be cleaned (figure #20 (2)), rotate the solution knob to the left.
0. Make a 180° turn. See figure #20 (3).

NOTE: When you make more passes across the floor, let the brushes clean approximately 2 inches of the area already cleaned by the brushes. See figure #20 (4).

NOTE: During most cleaning procedures, apply and remove the solution in one operation.

HOW TO CLEAN A VERY DIRTY FLOOR

To clean a very dirty floor, follow this procedure:

1. Apply solution to the floor.
2. Do not lower the squeegee.
3. Do not activate the vacuum motor.
4. Lower the brushes and scrub the floor.
5. Leave the solution on the floor long enough for the solution to begin cleaning the floor.
6. Scrub the floor again with additional solution, picking up all the solution with the squeegee

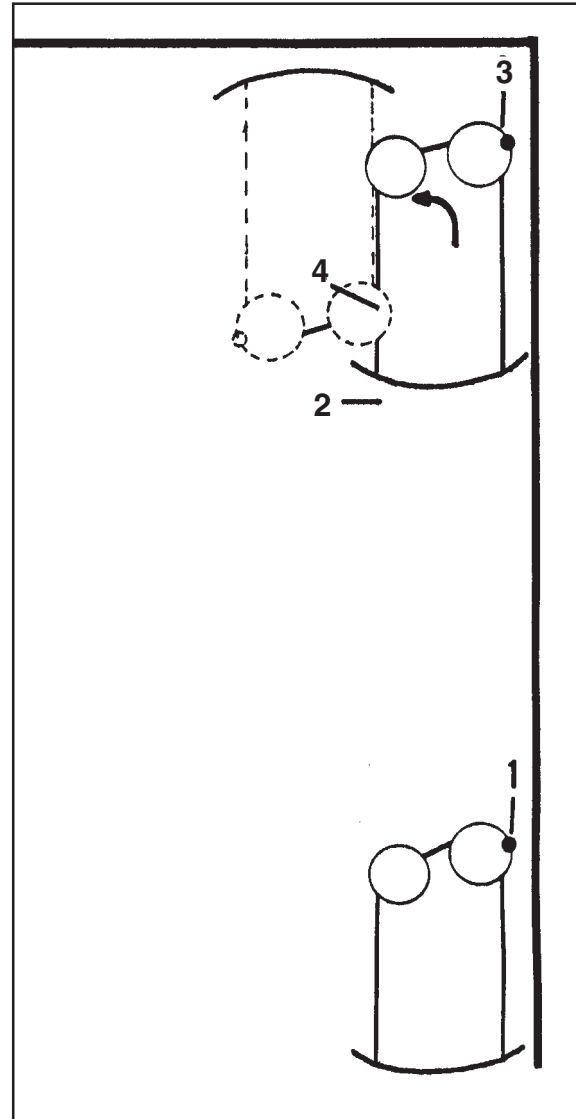


Figure #20

HOW TO CORRECT PROBLEMS IN THE MACHINE

PROBLEM	CAUSE	ACTION
There is no solution flow.	<p>The solution valve is closed.</p> <p>There is an obstruction in the solution hose or filter.</p> <p>The solution valve or linkage is damaged.</p> <p>The solution tank is empty.</p>	<p>Open the solution valve.</p> <p>Remove the obstruction from the hose and the filter.</p> <p>Repair or replace the valve and the linkage.</p> <p>Fill the solution tank.</p>
The solution flow does not stop.	<p>The solution valve is open.</p> <p>The solution valve or linkage is damaged.</p> <p>The solution valve is dirty</p> <p>There is a damaged seat and washer in the solution valve.</p> <p>The valve stem is dirty</p>	<p>Close the solution valve.</p> <p>Repair or replace the valve and the linkage.</p> <p>Clean the solution valve.</p> <p>Replace the seat and washer.</p> <p>Clean and lubricate valve stem.</p>
The machine does not remove all the water from the floor.	<p>The squeegee is up</p> <p>The vacuum tank is full.</p> <p>The screen filter is dirty.</p> <p>There is an obstruction or damage in the squeegee, squeegee hose or standpipe.</p> <p>The vacuum motor is not running.</p> <p>The squeegee hose is disconnected.</p> <p>The squeegee blade is damaged, worn, or incorrectly installed.</p> <p>The squeegee pressure is not correctly adjusted.</p> <p>The gaskets on the cover of the recovery tank are damaged.</p>	<p>Lower the squeegee.</p> <p>Drain the tank.</p> <p>Clean the screen filter.</p> <p>Remove the obstruction or repair the damage.</p> <p>Check for tripped breaker. Have an authorized service person make repairs.</p> <p>Connect the hose.</p> <p>Turn or replace the squeegee blade. Correctly install the squeegee blade.</p> <p>Adjust the pressure of the squeegee.</p> <p>Replace the gaskets.</p>
The batteries do not give the normal running time.	<p>The battery terminals are dirty or damaged.</p> <p>The electrolyte level is too low.</p> <p>The batteries are not fully charged.</p> <p>The charger is damaged.</p> <p>The battery is defective.</p> <p>The batteries are disconnected.</p>	<p>Clean the terminals and connectors. Replace the damaged cables. Charge the batteries.</p> <p>Add distilled water to each cell and charge the batteries.</p> <p>Charge the batteries for a full 16 hour charge.</p> <p>Have an authorized service person repair the charger.</p> <p>Check voltage of each cell while discharging.</p> <p>Connect the batteries.</p>

PROBLEM	CAUSE	ACTION
<p>The cleaning is not even.</p>	<p>The scrub brushes or pads are worn.</p> <p>There is damage to the brush assembly, casters or the solution valve.</p> <p>The brush motors are not running</p> <p>The solution level is low.</p>	<p>Replace the scrub brushes or pads.</p> <p>Have an authorized service person make the needed repairs.</p> <p>Check for tripped breaker, reset. Check for loose connections.</p> <p>Fill the solution tank.</p> <p>NOTE: If the motors continue to stop consult an authorized service person.</p>
<p>The machine does not run.</p>	<p>The machine loses power.</p>	<p>Reset the circuit breaker.</p> <p>Check wire connection to traverse motor.</p> <p>Replace the fuses.</p> <p>Check the batteries connections.</p> <p>NOTE: If the motors continue to stop, consult an authorized service person.</p>

NOTES

MAINTENANCE

⚠ WARNING: Maintenance and repairs must be done by authorized personnel only.

⚠ WARNING: Always empty the solution tank and recovery tank before doing any maintenance.

⚠ WARNING: Keep all fasteners tight.

These Maintenance Procedures Must Be Done Every Day

Keep the machine clean, it will need fewer repairs and have longer life.

Do These Procedures When You Begin Your Work Period

NOTE: Always engage the parking brake before servicing the machine.

1. Disconnect the plug on the charger from the connector on the back of the machine. See figure #21
2. Join the connector from the batteries (1) to the control panel cable connection. See figure #21.
3. Make sure the recovery tank lid is on correctly. See figure #22, Item A.
4. Make sure the Screen filter over the vacuum motor is clean and in position. See figure #23, Item B.
5. Make sure the valves on the drain hoses are clean. Tightly close the valves.
6. Make sure brush housings and skirts are in position on the brush head.
7. Make sure the brushes are in position and installed correctly
8. Check the installation of the squeegee and squeegee hose.

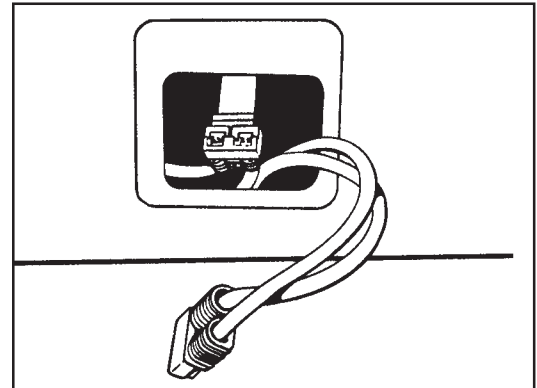


Figure #21

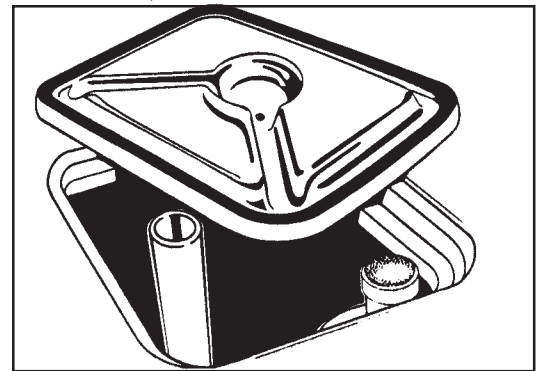


Figure #22

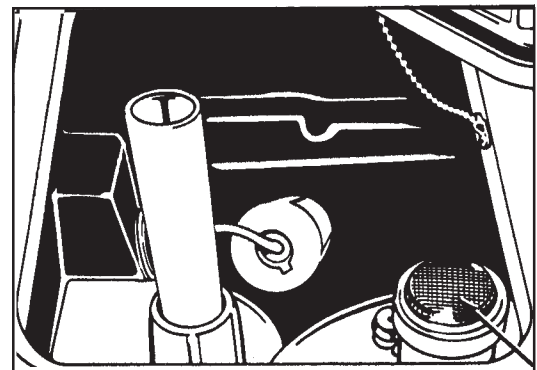


Figure #23

MAINTENANCE

Do These Procedures When You End Your Work

NOTE: Always engage the parking brake before servicing the machine.

1. Drain the solution tank (Figure #23a) and the recovery tank (Figure #23b). To drain the tanks, follow this procedure:

- a. Turn the key switch "OFF".
- b. Remove the drain hose from the back of the machine.
- c. Put the end of the hose over a drain or bucket.
- d. Turn the valve handle to the left. Pull the handle out to open the drain. (Figure #23c)

NOTE: Have the opening in the side of the valve away from you when you open the valve.

- e. To open the valve completely, turn the handle to the right. Pull the handle out of valve. (Figure #23d)
2. Flush the tanks. To flush the tanks, put clean water in the tank through the opening on top of the tank.
3. If a tank or drain hose has an obstruction, use a high pressure water hose to flush the tank or hose. Put the water hose into the drain hose.
4. Leave the tanks and the drain valves open to dry in the air.
5. Check the squeegee blade. Use a cloth to clean the squeegee blade. If the squeegee blade is damaged or worn, turn or replace the blade.
6. Check and clean the solution lid gasket. Use a mild cleaning solution and rinse the parts in clean water.

Check the batteries and add distilled water as needed. The correct level is within 1/4 inch of the bottom of the tube in each cell.

CAUTION: Tap water may contain contaminants that will damage batteries. Batteries must be re-filled with distilled water only.

WARNING: Lead acid batteries generate gases which can cause an explosion. NO SMOKING. Always wear eye protection and protective clothing when working near batteries.

Use a clean cloth and wipe the surface of the machine.

Charge the batteries. See the instruction in the section of this book called "How To Charge The Batteries".

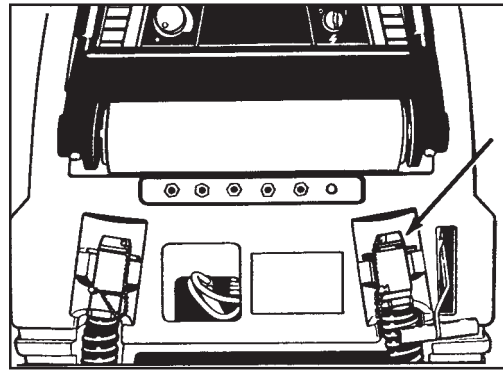


Figure #23a

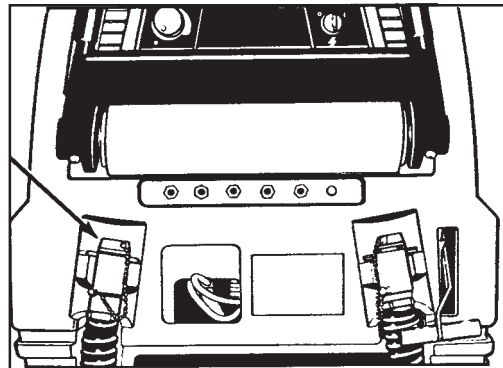


Figure #23b

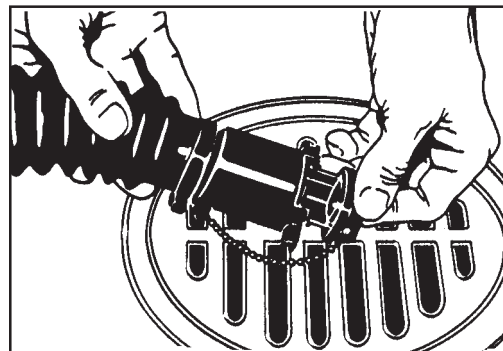


Figure #23c

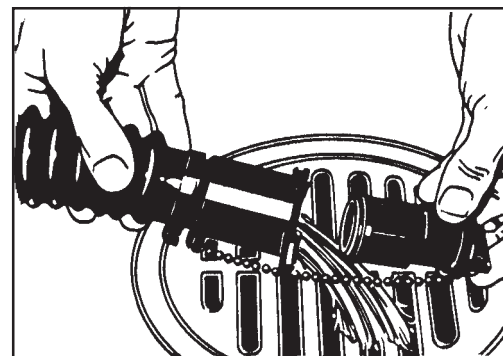


Figure #23d

MAINTENANCE

These Maintenance Procedures Must Be Done Every Week:

⚠ WARNING: Maintenance and repairs must be done by authorized personnel only. Always empty the solution tank and the recovery tank before doing any maintenance. Keep all fasteners tight.

⚠ WARNING: Always wear eye protection and protective clothing when working near batteries. Do not put tools or other metal objects across the battery terminals or the tops of the batteries.

⚠ CAUTION: To prevent damage to the machine, and discharge across the tops of the batteries, do not fill the batteries above the bottom of the tube in each cell. Wipe any acid from the machine or the tops of the batteries. Do not add acid to battery after installation.

NOTE: Always engage the parking brake before servicing the machine.

⚠ WARNING: Always wear eye protection and protective clothing when working near batteries. **NO SMOKING!**

1. To inspect batteries, tip up recovery tank and pull out the stop pin to hold the tank up. See Figure #24
2. Disconnect the batteries. Use a cloth and a solution of ammonia or bicarbonate of soda to wipe the top of the batteries. Clean the battery terminals. Reconnect the batteries.
3. Check the hoses for leaks, obstructions and other damages.
4. Check and clean the filter screen in the solution hose. To clean the screen, follow this procedure:
 - a. Turn the connector to the left.
 - b. Remove and clean the filter screen.
 - c. Install the filter screen in the hose. Turn the connector to the right to connect the hose.
5. Use a grease gun to lubricate the drive wheel and the casters. See figure #25.
6. Apply a thin lubricant to the drive chain.

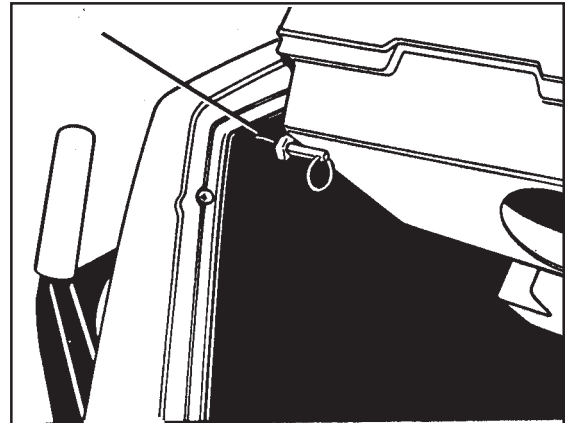


Figure #24

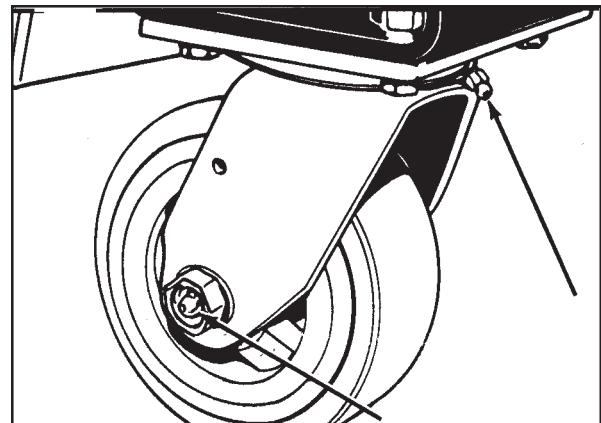


Figure #25

MAINTENANCE

7. Check the squeegee and the scrub brushes or the pad drivers for damage.
8. Check the squeegee and the vacuum hose for damage, leaks and obstructions.

Maintenance For The Squeegee

To remove the squeegee, follow this procedure:

1. Remove the squeegee assembly by loosening the two knobs that attach the squeegee to the machine. Pull the squeegee assembly off. See figure #26.
2. Inspect the squeegee blade.
3. If the blade is worn, turn the blade so that a new edge is in the wiping position.
4. Reinstall squeegee assembly on the machine.

How To Adjust The Squeegee

The following adjustments are set at the factory, however they may require slight adjustment.

Adjusting Squeegee Pressure:

To adjust the pressure, refer to Figure #27. Proper adjustment will produce a uniform flare along the rear blade when the machine is moved forward. To increase pressure, tighten the nuts on each side of the swing arm. To decrease the pressure, loosen the nuts on each side.

Adjusting Squeegee Tilt:

The tilt of the squeegee causes the rear blade to raise up in the center or on the ends, depending on which direction the tilt is changed. For tilt adjustment, refer to figure # 28. Loosen left and right screw "X". In order to bring the rear blade down in the center, tip "Y" down. To bring both ends down, tip "Y" up. Make very small adjustments and try it until a uniform flare is achieved. Changing the tilt may also require readjusting the squeegee pressure.

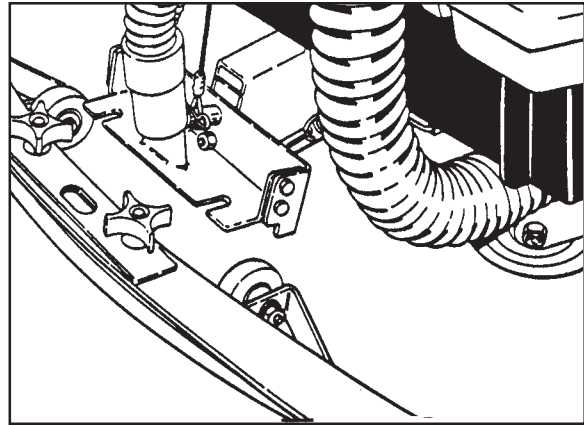


Figure #26

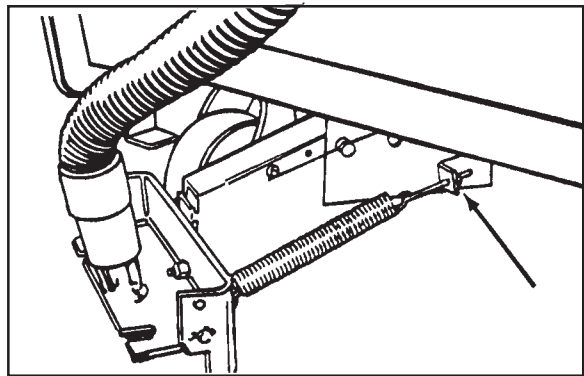


Figure #27

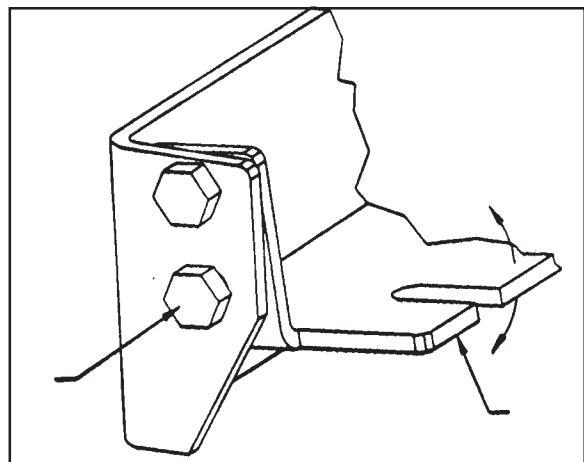


Figure #28

MAINTENANCE

Adjusting Squeegee Blades:

When properly installed the front blade should be approximately .06 above the rear blade. See figure #29.

Adjusting Squeegee Support Wheels:

The support wheels should be set at .12 above the floor with the rear blade touching the floor. See figure #29.

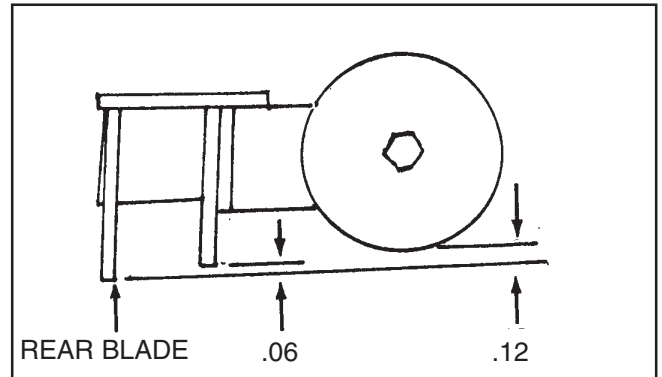


Figure #29

⚠ WARNING: Maintenance and repairs must be done by authorized personnel only .

⚠ WARNING: Electrical repairs must be done by authorized personnel only.

Consult your Clarke Authorized Service Person to do the service procedures.

Use only genuine Clarke parts.

How to Clean the Solution Line

If the solution line becomes clogged, pull the filter assembly out from the lower rear of the frame (Figure #30) and remove the filter screen (Figure # 31) and clean or replace it. Push filter assembly back inside frame.

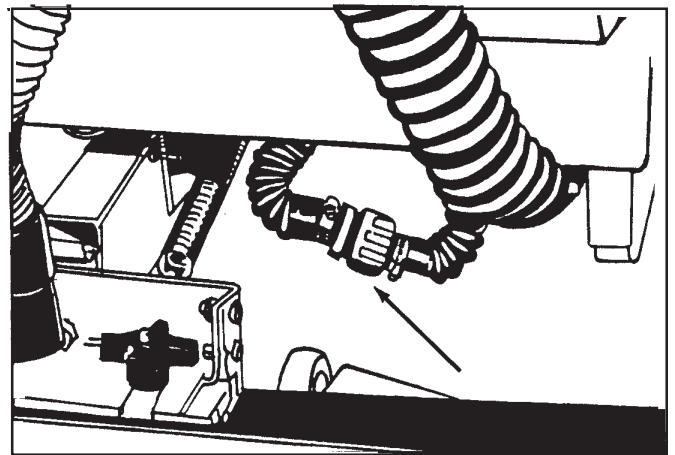


Figure #30

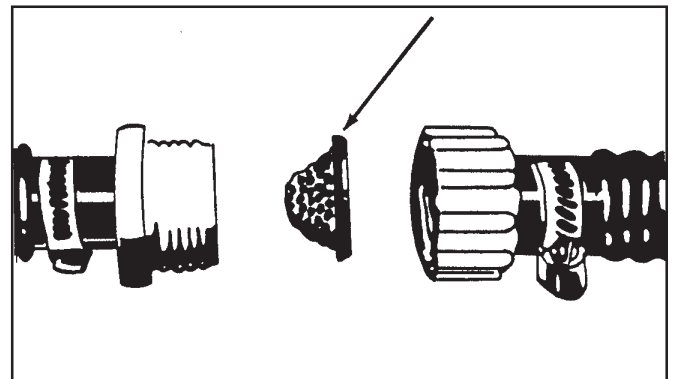


Figure #31

**Clarke Vision 26/32/38
Accessories - 8/97**

ACCESSORIES

<u>Description</u>	<u>Part No.</u>
Power Wand System Kit	14068A
ESP Recycle System Kit	14071A
Soft Caster Asm.	52127A
Soft Traverse Wheel	59952A
Low Voltage Shut-Off (36V)	15881A
Clarke Care Kit	14607A
Squeegee - Optional 29" (26 only)	18807A
Vac Diverter Kit	14083A
Long Cuff (Squeegee Hose)	51893A
Squeegee Actuator Replacement Kit	14080A
Recoil Kit	14072A
Roller Kit (one side per Kit)	15897A
Frame Bumper (one side per Kit)	821203
Brush Off In Neutral Kit	14699A
Solution Off In Neutral Kit	14644A
PreSweep Kit	15881A

Nitrile Squeegee Blades:

<u>Length</u>	<u>Machine</u>	<u>Part No.</u>
28.12"	26"	30938A
38.50"	26"	30936A
41.38"	32"	30937A
48.00"	38"	30939A

Ribbed Squeegee Blades:

<u>Length</u>	<u>Machine</u>	<u>Part No.</u>
25.88"	26" Special	30942A
35.88"	26"	30928A
39.88"	32"	30929A
46.00"	38"	30941A

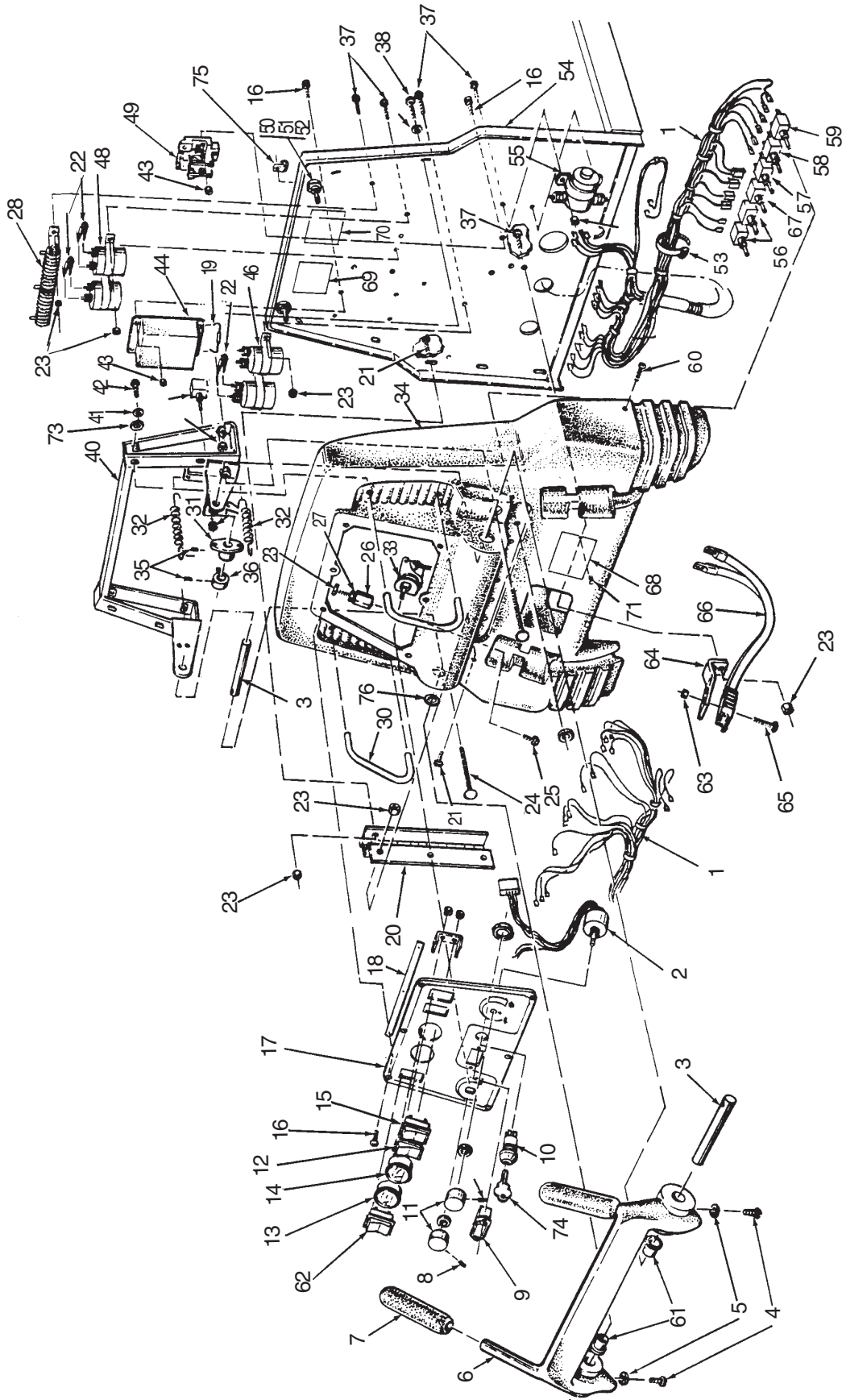
Brushes:

<u>Size</u>	<u>Description</u>	<u>Part No.</u>
17"	Poly	11424B
17"	Grit-Heavy	11425B
17"	Grit-Medium	11430B
17"	Soft Nylon	11428B
14"	Poly	11427B
14"	Grit-Heavy	11426B
14"	Grit-Medium	11431B
14"	Soft Nylon	11429B
19"	Poly	11434B
19"	Grit-Heavy	11433B
19"	Grit-Medium	11432B
19"	Soft Nylon	11435B

Pad Drivers:

<u>Size</u>	<u>Part No.</u>
19"	17524B
17"	17520C
14"	17521C

Clarke Vision 32 IX / 26 IX
Rear Cover Assembly Drawing 10/96



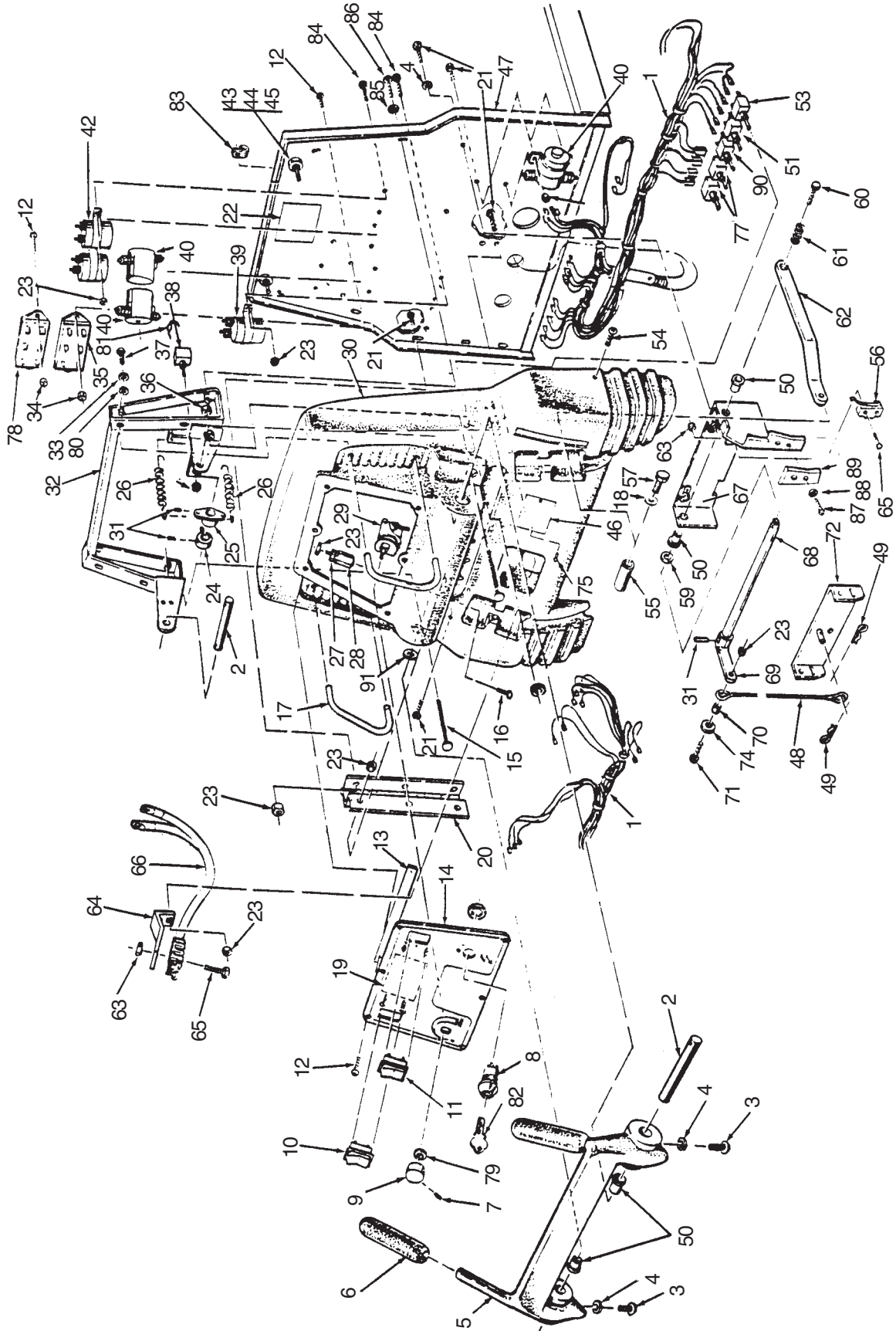
**Clarke Vision 32 IX / 26 IX
Rear Cover Assembly Parts List 10/96**

Ref #	Part No.	Description	Qty	32 IX	26 IX
1	49698C	Main Harness	1	x	x
2	49700B	Traverse Harness	1	x	x
3	66533A	Control Handle Pin	2	x	x
4	85390A	Screw, ¼-20 x 1¼ PN	2	x	x
5	980657	Washer, Lock ¼	2	x	x
6	24307A	Control Handle	1	x	x
7	34608A	Control Handle Grip	2	x	x
8	962262	Screw, 8-32 x ¼ Set	2	x	x
9	912226	Hour Meter	1	x	x
10	47380A	Key Switch, W/Key	1	x	x
11	55502A	Knob	2	x	x
12	47381A	Rocker Switch	1	x	x
13	44412A	Voltmeter	1	x	x
14	40212A	Ammeter	1	x	x
15	47382A	Rocker Switch	1	x	x
16	962798	Screw, 10-24 x ½ PN	12	x	x
17	66389C	Console Panel	1	x	x
18	34264A	Gasket	1	x	x
19	42405A	Diode Asm.	1	x	x
20	64508A	Cover Hinge	1	x	x
21	85391A	Screw, ¼-20 x ¾ PN	20	x	x
22	42401A	Diode Asm.	3	x	x
23	81104A	Nut, ¼-20 ESNA	20	x	x
24	80011A	Screw, 3/8-16 x 3 CR	2	x	x
25	85395A	Screw, ¼-20 x ½ PN	2	x	x
26	854849	Insulator	1	x	x
27	83302A	Stud	1	x	x
28	912300	Resistor	1	x	x
29	87026A	Washer, Flat ¼	2	x	x
30	64462A	Stationary Handle	2	x	x
31	60662A	Centering Bracket	1	x	x
32	53038A	Spring	2	x	x
33	61652A	Solution Control	1	x	x
34	32360B	Rear Cover	1	x	
	32361B	Rear Cover	1		x
35	962304	Screw, 5/16-18 x ½ Set	2	x	x
36	61651A	Control Switch Collar	1	x	x
37	170915	Screw, ¼-20 x ¾ Hex	16	x	x

Ref #	Part No.	Description	Qty	32 IX	26 IX
38	85700A	Screw, ¼-20 x 1 Hex	2	x	x
40	68275A	Cover Support	1	x	x
41	980652	Washer, Lock 5/16	4	x	x
42	85813A	Screw, 5/16-18 x ¾ HX	4	x	x
43	920296	Nut, 10-24 ESNA	4	x	x
44	41135B	Motor Control (Traverse)	1	x	x
45	47384C	Toggle Switch	1	x	x
46	41801A	Solenoid (Main/Brush)	2	x	x
47	81301A	Nut, Jam 3/8-16	2	x	x
48	41802A	Solenoid (Br. Head Up/Dn)	2	x	x
49	46309A	Relay (Sp. Up/Dn)	1	x	x
50	831105	Tank stop Bushing	2	x	x
51	836707	Pin	1	x	x
52	920280	Nut, 5/8-18	2	x	x
53	699202	Wire Tie	6	x	x
54	63426A	Frame Weldment	1	x	
	63427A	Frame Weldment	1		x
55	911490	Solenoid (Vac)	1	x	x
56	41431A	Circuit Breaker-35A (Br)	2	x	x
57	41439A	Circuit Breaker-25A (Vac)	1	x	x
58	41423A	Circuit Breaker-5A (Br. Hd)	1	x	x
59	41430A	Circuit Breaker-1.5A (Sq)	1	x	x
60	85518A	Screw, ¼-20 x ¾ PN	5	x	x
61	902731	Nyliner Bearing	2	x	x
62	47383A	Switch, 3 Pos	1	x	x
63	920056	Nut, 6-32 ESNA	2	x	x
64	60676A	Power Conn. Bkt.	1	x	x
65	962980	Screw, 6-32 x 1 PN	2	x	x
66	41140A	Console Cable Asm.	1	x	x
67	41444A	Circuit Breaker 30A (Trav)	1	x	x
68	73709A	Warning Plate	1	x	x
69	77095D	Label, Console	1	x	x
70	77100C	Main Wiring Label	1	x	x
71	930093	Rivet	2	x	x
72	87202A	Washer, Lock	1	x	x
73	980205	Washer	4	x	x
74	55413A	Key	1	x	x
75	51867A	Clamp, Cable	1	x	x
76*	87029A	Washer	1	x	x

NOTE: *Use if needed to remove slack from assembly.

Clarke Vision 38I / 32I / 26I
Rear Cover Assembly Drawing 7/96

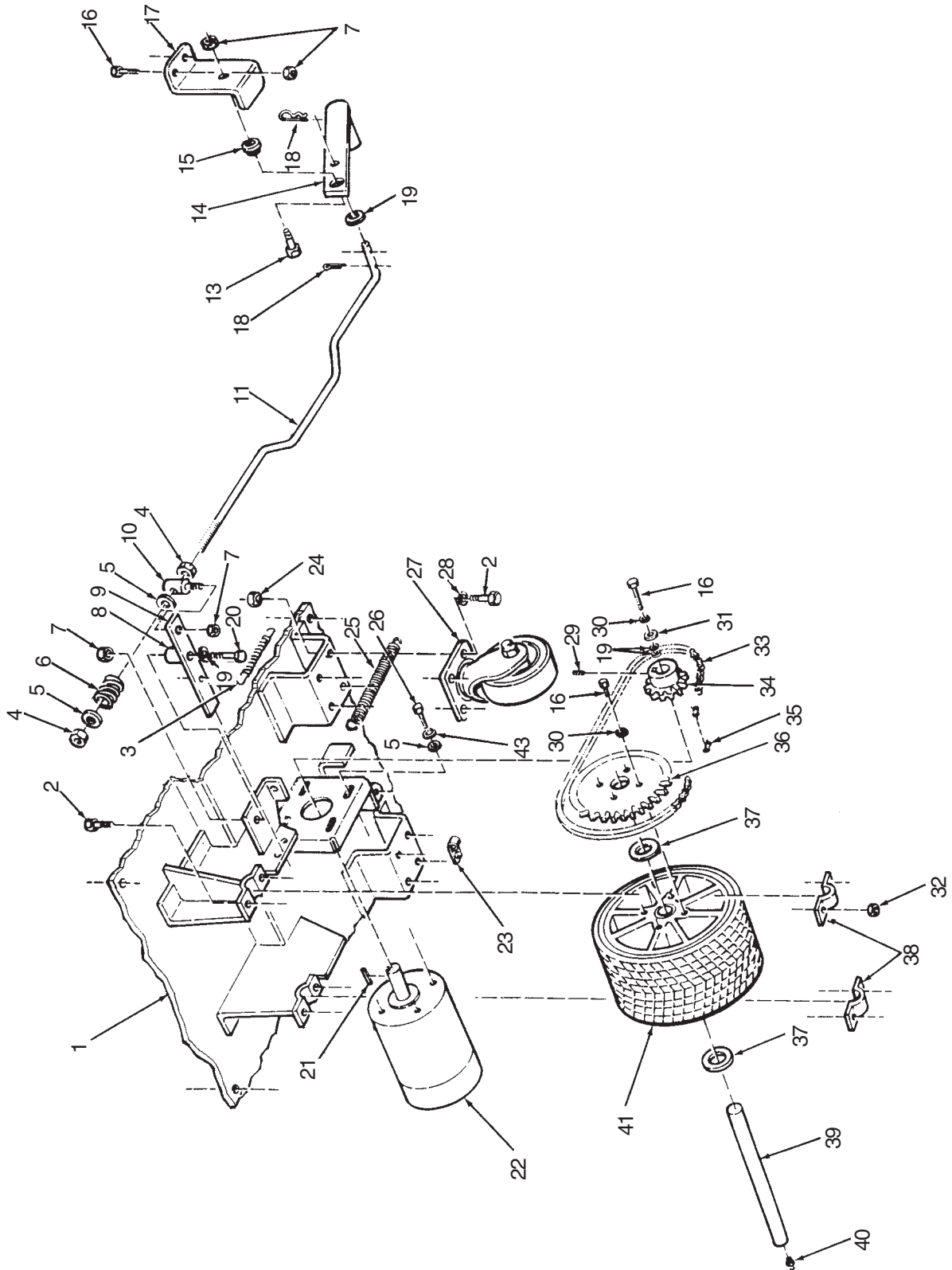


**Clarke Vision 38I /32I / 26I
Rear Cover Assembly Parts List 7/96**

Ref #	Part No.	Description	Qty				Ref #	Part No.	Description	Qty			
				38 I	32 I	26 I					38 I	32 I	26 I
1	49699D	Main Harness	1	x	x	x	46	73709A	Warning Plate	1	x	x	x
2	66533A	Handle Pin	2	x	x	x	47	63426A	Frame Weldment	1	x	x	
3	85390A	Screw, ¼-20 x 1¼ PN	2	x	x	x		63427A	Frame Weldment	1			x
4	980657	Washer, Lock 1/4	2	x	x	x	48	61653A	Squeegee Lift Cable	1	x	x	x
5	24307A	Control Handle	2	x	x	x	49	856702	Hairpin	2	x	x	x
6	34608A	Control Handle Grip	2	x	x	x	50	902731	Nyliner Bushing	4	x	x	x
7	962262	Screw, 8-32 x ¼ Set	2	x	x	x	51	41422A	Circuit Breaker 25A (Vac)	1	x	x	x
8	47380A	Key Switch, W/Key	1	x	x	x	53	41423A	Circuit Breaker 5A (Br.Hd.)	1	x	x	x
9	55502A	Knob	1	x	x	x	54	85518A	Screw, ¼-20 x ¾ PN	5	x	x	x
10	47381A	Switch	1	x	x	x	55	64464A	RH Handle	1	x	x	x
11	47383A	Switch	1	x	x	x	56	47388A	Switch Asm., Vac	1	x	x	x
12	962968	Screw, 10-24 x ½ PN	10	x	x	x	57	85820A	Screw, ¾-16 x 5/8 Hx	1	x	x	x
13	34264A	Gasket	2	x	x	x	59	87029A	Washer, Flat ¾	1	x	x	
14	66390B	Console Panel	1	x	x	x	60	960510	Bolt, Pivot	1	x	x	x
15	80011A	Screw, ¾-16 x 3 CR	2	x	x	x	61	438360	Spring	1	x	x	x
16	85395A	Screw, ¼-20 x ½ PN	1	x	x	x	62	65617A	Squeegee Lift Lever	1	x	x	x
17	64462A	Stationary Handle	2	x	x	x	63	920056	Nut, 6-32 ESNA	4	x	x	x
18	980666	Washer, Starlock ¾	1	x	x	x	64	60676A	Power, Conn. Bracket	1	x	x	x
19	77096C	Wiring Label	1	x	x	x	65	962980	Screw, 6-32 x 1 PN	4	x	x	x
20	64508A	Cover Hinge	1	x	x	x	66	41140A	Console Cable Assembly	1	x	x	x
21	85391A	Screw, ¼-20 x 5/8 PN	9	x	x	x	67	61254A	Squeegee Lift Bracket	1	x	x	x
22	77101D	Wiring Label	1	x	x	x	68	67453A	Squeegee Lift Shaft	1	x	x	x
23	81104A	Nut, ¼-20 ESNA	21	x	x	x	69	65614A	Cable Lever	1	x	x	x
24	61651A	Control Switch Collar	1	x	x	x	70	608210	Spacer	1	x	x	x
25	60662A	Centering Bracket	1	x	x	x	71	85700A	Screw, ¼-20 x 1 Hx	1	x	x	x
26	53038A	Spring	2	x	x	x	72	Pg. 30	Pin Bracket ref. #25	1	x	x	x
27	83302A	Stud	2	x	x	x	74	980651	Washer, Flat 5/16	1	x	x	x
28	854849	Insulator	2	x	x	x	75	930093	Rivet	2	x	x	x
29	61652A	Solution Control	1	x	x	x	76	42401A	Diode Assembly	6	x	x	x
30	32362B	Rear Cover	1	x	x		77	41431A	Circuit Breaker 35A (Br)	2	x	x	x
	32363B	Rear Cover	1			x	78	46315B	Relay, .5 sec. (F/N/R)	1	x	x	x
31	962304	Screw, 5/16-18 x ½ Set	4	x	x	x	79	87202A	Washer, Lock	1	x	x	x
32	68275A	Cover Support	1	x	x	x	80	980205	Washer	4	x	x	x
33	980652	Washer, Lock 5/16	4	x	x	x	81	42404A	Diode Asm.	1	x	x	x
34	920296	Nut, 10-24 ESNA	2	x	x	x	82	55413A	Key	1	x	x	x
35	46313B	Relay (H.S. Relay)	1	x	x	x	83	51867A	Clamp, Cable	1	x	x	x
36	81301A	Nut, ¾-16 Jam	2	x	x	x	84	170915	Screw, ¼-20 x ¾ Hex	16	x	x	x
37	85813A	Screw, 5/16-18 x ¾ HX	4	x	x	x	85	87026A	Washer, Flat ¼	2	x	x	x
38	47384C	Toggle Switch	1	x	x	x	86	85700A	Screw ¼-20 x 1 Hex	2	x	x	x
39	41801A	Solenoid (Brush)	1	x	x	x	87	962546	Screw, #10-24 X ½	2	x	x	x
40	911490	Solenoid (Vac/H.S./M.S.)	3	x	x	x	88	980675	Washer	2	x	x	x
42	41802A	Solenoid (F/R Trav.)	2	x	x	x	89	68643A	Plate, Wear	1	x	x	x
43	831105	Tank stop Brushing	2	x	x	x	90	41444A	Circuit Breaker 30A (Trav.)	1	x	x	x
44	836707	Pin	2	x	x	x	91*	87029A	Washer	1	x	x	x
45	920280	Nut, 5/8-18	2	x	x	x							

NOTE: * Use if needed to remove slack from assembly on 32I or 38I only.

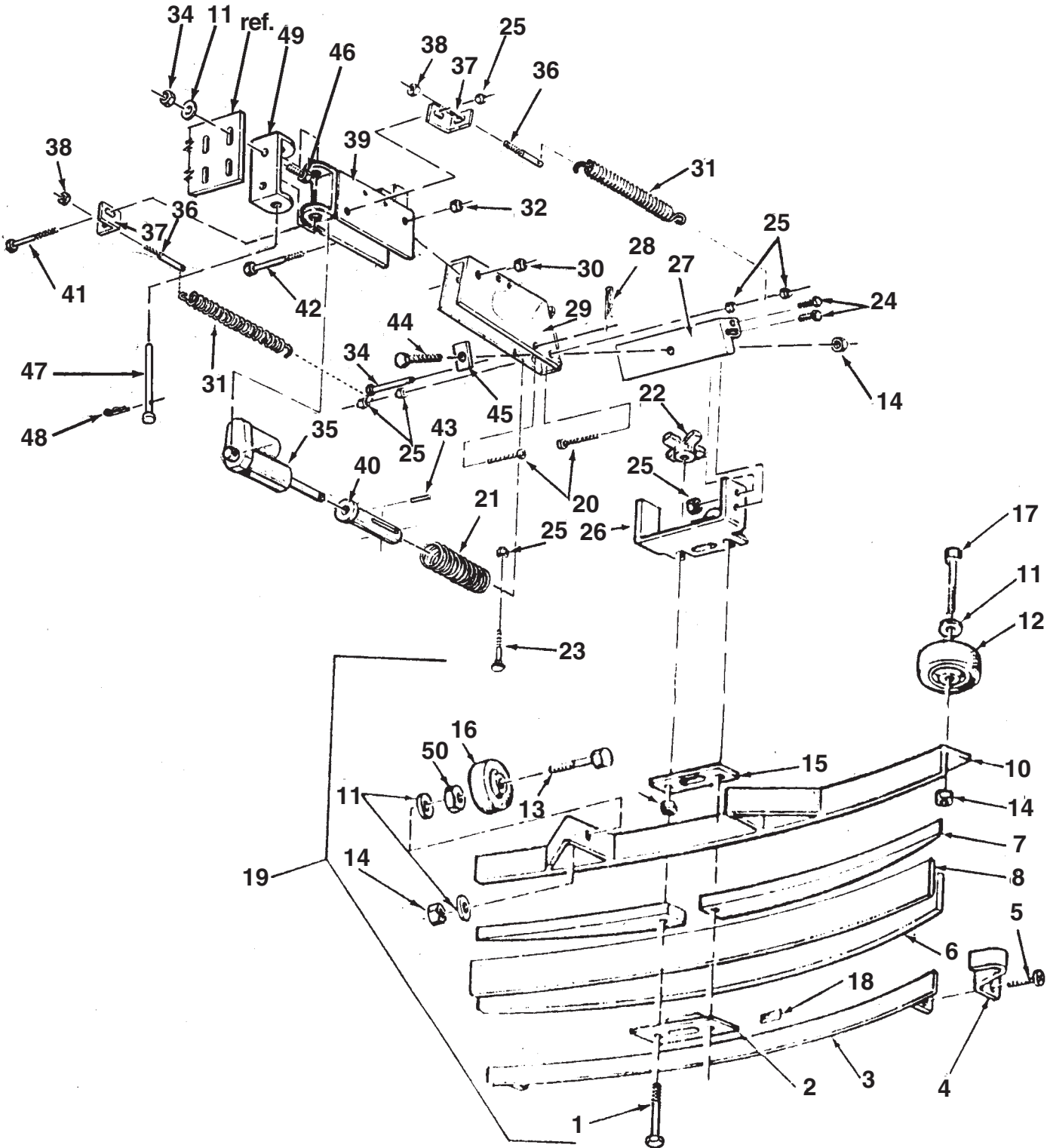
Clarke Vision 38/32IX/32I/ 26IX/26I
Traverse System Assembly Drawing 4/96



**Clarke Vision 38I/32IX/32I/ 26IX/26I
Traverse System Assembly Parts List 4/96**

Ref #	Part No.	Description	Qty	38I	32IX	32I	26IX	26I
2	85727A	Screw, 3/8-16 x 1 Hex	12	x	x	x	x	x
3	848302	Brake Spring	1	x	x	x	x	x
4	81104A	Nut, 1/4-20 Hex ESNA	4	x	x	x	x	x
5	87026A	Washer, Flat 1/4	5	x	x	x	x	x
6	438360	Spring	1	x	x	x	x	x
7	920110	Nut, 5/16-18, ESNA	3	x	x	x	x	x
8	838214	Brake Arm Spacer	1	x	x	x	x	x
9	60412A	Brake Arm	1	x	x	x	x	x
10	848508	Brake Rod Swivel	1	x	x	x	x	x
11	67131A	Brake Rod	1	x	x	x	x	x
13	85814A	Screw, 5/16-18 x 1.25 Hx	1	x	x	x	x	x
14	16703A	Brake Lever	1	x	x	x	x	x
15	67877A	Brake Pedal Spacer	1	x	x	x	x	x
16	85811A	Screw, 5/16-18 x 3/4 Hex	5	x	x	x	x	x
17	60663A	Brake Pedal Bracket	1	x	x	x	x	x
19	980651	Washer, Flat 5/16	3	x	x	x	x	x
20	85816A	Screw, 5/16-18 x 1.5 Hx	1	x	x	x	x	x
21	915102	Key	1	x	x	x	x	x
22	835209	Traverse Motor	1	x	x	x	x	x
23	51828A	Strap	1	x	x	x	x	x
24	81105A	Nut, 3/8-16 ESNA	12	x	x	x	x	x
25	56495A	Spring, Centering	1		x		x	
26	170915	Screw, 1/4-20 x 3/4	4	x	x	x	x	x
27	899769	Caster Assembly	2	x	x	x	x	x
28	980638	Washer, Lock 3/8	8	x	x	x	x	x
29	962593	Screw, 1/4-20 x 3/8 set	2	x	x	x	x	x
30	980652	Washer, Lock 5/16	5	x	x	x	x	x
31	980205	Washer	1	x	x	x	x	x
32	82505A	Squeegee Actuator Pin	1	x	x	x	x	x
33	52202A	Chain	1	x	x	x	x	x
34	898550	Drive Sprocket	1	x	x	x	x	x
35	895158	Master Link	1	x	x	x	x	x
36	838506	Drive Sprocket	1	x	x	x	x	x
37	980475	Spacer Washer	4	x	x	x	x	x
38	69009A	Axle Strap	2	x	x	x	x	x
39	60154A	Shaft	1	x	x	x	x	x
40	883351	Grease Fitting	1	x	x	x	x	x
41	59944R	Wheel Assembly	1	x	x	x	x	x
43	170892	Washer, Lock 1/4	4	x	x	x	x	x

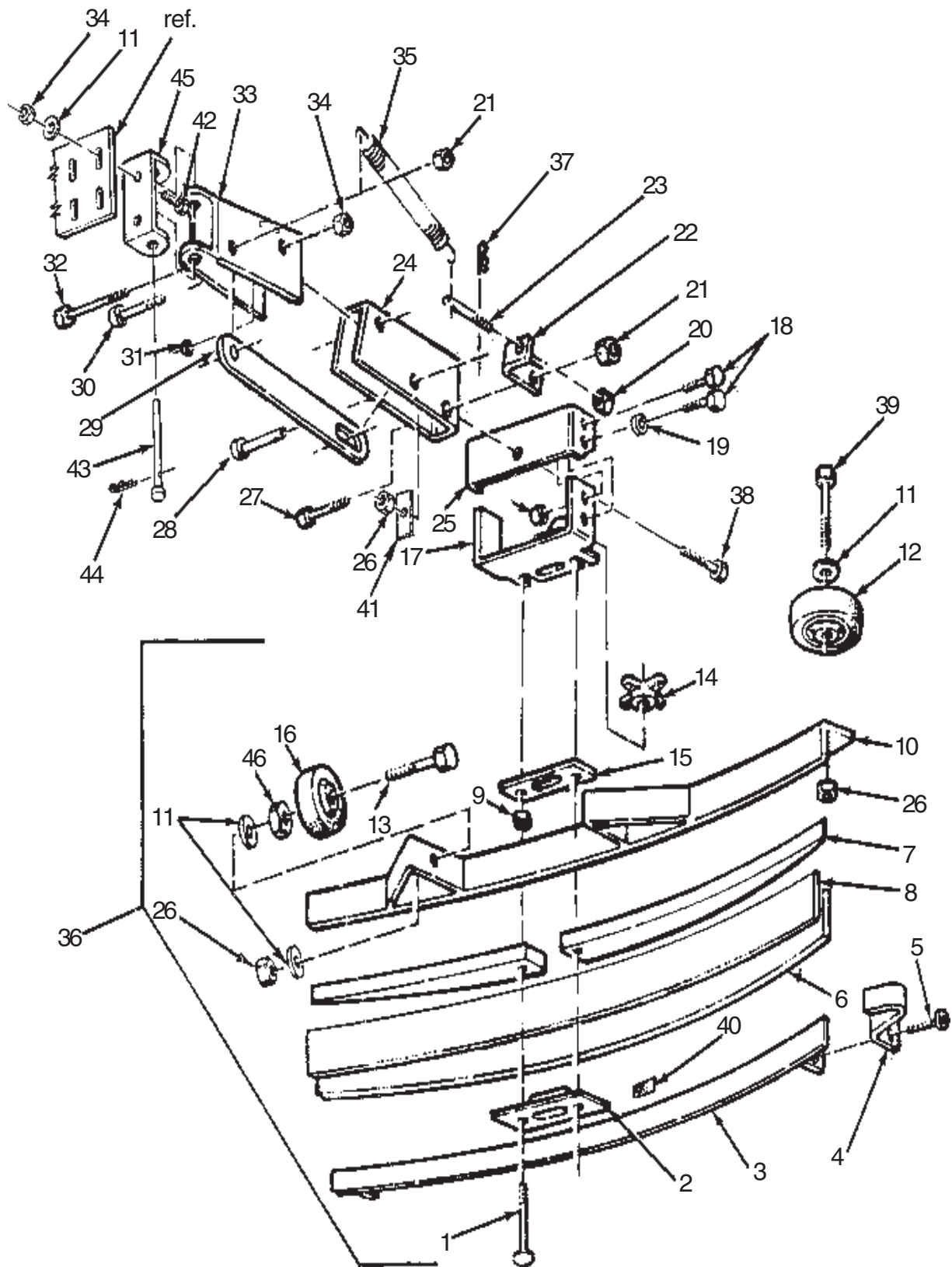
Clarke Vision 32 IX - 26 IX
Squeegee & Squeegee Arm Assembly Drawing 10/96



**Clarke Vision 32 IX-26 IX
Squeegee & Squeegee Arm Assembly Parts List 10/96**

Ref #	Part No.	Description	Qty	32IX	26IX	Ref #	Part No.	Description	Qty	32IX	26IX
1	80011A	Screw, 3/8-16 x 3 CR	2	x	x	20	85390A	Screw 1/4-20 x 1.25		x	x
2	62712A	Duct	1	x	x	21	53407A	Spring, Recoil	1	x	x
3	62420A	Clamp Weld	1	x		22	25201A	Knob	2	x	x
	62419A	Clamp Weld	1	x		23	80010A	Screw, 1/4-20 x 2	1	x	x
	62424A	Clamp Weld, 29" Acc.	1	x		24	170915	Screw 1/4-20 x 3/4	4	x	x
4	62421A	End Clamp	2	x	x	25	81104A	Nut, 1/4-20 Hex ESNA	10	x	x
5	86004A	Screw, 1/4-20 x 1.50 Hex	2	x	x	26	61242A	Tube Bracket	1	x	x
6	30913A	Outer Blade	1	x		27	60678A	Pin Bracket	1	x	x
	30912A	Outer Blade	1	x		28	836711	Hairpin	1	x	x
	30931A	Outer Blade, 29" Acc.	1	x		29	60417A	Rear Arm	1	x	x
7	38711A	Spacer	2	x		30	920200	Nut, 10-24	2	x	x
	38710A	Spacer	2	x		31	56493A	Squeegee Press. Spring	2	x	x
	38713A	Spacer, 29" Acc.	2	x		32	920110	Nut, 5/16-18 ESNA	5	x	x
8	30915A	Inner Blade	1	x		33	962484	Screw, 10-24 x 3.5	1	x	x
	30914A	Inner Blade	1	x		34	82505A	Squeegee Actuator Pin	1	x	x
	30930A	Inner Blade, 29" Acc.	1	x		35	40101B	Actuator	1	x	x
9	81301A	Nut, 3/8-16 JAM	4	x	x	36	68013A	Squeegee Adj. Stud	2	x	x
10	69024A	Squeegee Weld.	1	x		37	60659A	Squeegee Spring Brkt.	2	x	x
	69023A	Squeegee Weld.	1	x		38	920256	Nut, 5/16-18 Hex	2	x	x
	69059A	Squeegee Weld., 29" Acc	1	x		39	60420A	Front Arm	1	x	x
11	980687	Washer 3/8ID	11	x	x	40	67708A	Sleeve, Recoil	1	x	x
12	59950A	Guide Wheel	2	x	x	41	85602A	Screw, 1/4-20 x 3.00	1	x	x
13	962522	Screw, 3/8-16 x 2.00 Hex	2	x	x	42	80015A	Shoulder Bolt	1	x	x
14	81105A	Nut, 3/8-16 ESNA	5	x	x	43	50466A	Pin	1	x	x
15	34260B	Squeegee Gasket	1	x	x	44	85727A	Screw, 3/8-16 x1 Hex	1	x	x
16	419702	Wheel	2	x	x	45	67899A	Spacer	1	x	x
17	85704A	Screw, 3/8-16 x 2 1/4	2	x	x	46	85811A	Screw, 5/16-18x.75	2	x	x
18	37016A	Pad	1	x	x	47	66531A	Swing Arm Pin	1	x	x
19	18806A	Squeegee Asm.	1	x		48	836711	Hair Pin	1	x	x
	18805A	Squeegee Asm.	1	x		49	60416A	Arm, Pivot	1	x	x
	18807A	Squeegee Asm., 29" Acc	1	x		50	81207A	Nut, 3/8-16 SS	2	x	x

Clarke Vision 38 I - 32 I - 26 I
Squeegee & Squeegee Arm Assembly Drawing 10/96

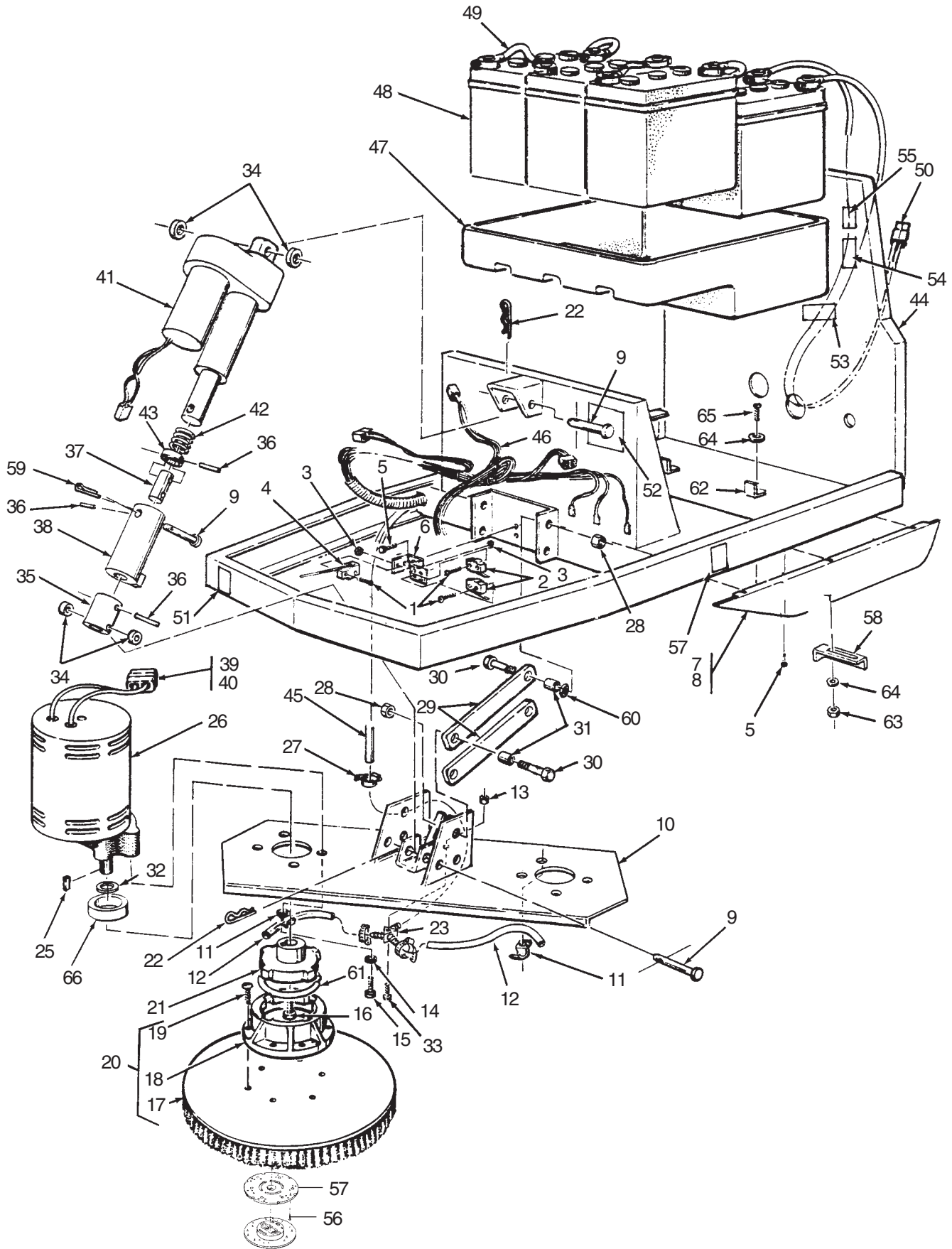


Clarke Vision 38 I - 32 I - 26 I
Squeegee & Squeegee Arm Assembly Parts List 10/96

Ref #	Part No.	Description	Qty	38 I	32 I	26 I
1	80011A	Screw, 3/8-16 x 3 CR	2	x	x	x
2	62712A	Duct	1	x	x	x
3	62420A	Clamp Weld	1	x	x	
	62419A	Clamp Weld	1			x
	62424A	Clamp Weld, 29" Acc.	1			x
	62425A	Clamp Weldment	1	x		
4	62421A	End Clamp	2	x	x	x
5	86004A	Screw, 1/4-20 x 1.50 Hx	2	x	x	x
6	30913A	Outer Blade	1		x	
	30912A	Outer Blade	1			x
	30931A	Outer Blade, 29" Acc.	1			x
	30935A	Outer Blade	1	x		
7	38711A	Spacer	2		x	
	38710A	Spacer	2			x
	38713A	Spacer, 29" Acc.	2			x
	38715A	Spacer	2	x		
8	30915A	Inner Blade	1		x	
	30914A	Inner Blade	1			x
	30930A	Inner Blade, 29" Acc.	1			x
	30934A	Inner Blade	1	x		
9	81301A	Nut, 3/8-16 JAM	6	x		
10	69024A	Squeegee Weld.	1		x	
	69023A	Squeegee Weld.	1			x
	69059A	Sq. Weld., 29" Acc.	1			x
	69067A	Squeegee Weldment	1	x		
11	980687	Washer 3/8ID	11	x	x	x
12	59950A	Guide Wheel	2	x	x	x
13	962522	Screw, 3/8-16 x 2.00 Hex	2	x	x	x
14	25201A	Knob	2	x	x	x
15	34260B	Squeegee Gasket	1	x	x	x
16	419702	Wheel	2	x	x	x
17	61242A	Tube Bracket	1	x	x	x
18	170915	Screw, 1/4-20 x 3/4 Hex	4	x	x	x

Ref #	Part No.	Description	Qty	38 I	32 I	26 I
19	87026A	Washer, Flat 1/4	5	x	x	x
20	920256	Nut, 5/16-18 Hex	2	x	x	x
21	81104A	Nut, 1/4-20 Hex ESNA	1	x	x	x
22	60659A	Squeegee Spring Brkt.	2	x	x	x
23	68013A	Squeegee Adj. Stud	2	x	x	x
24	60417A	Arm, Wildmt, Rear	1	x	x	x
25	61249A	Pin Bracket	1	x	x	x
26	81105A	Nut, 3/8-16 ESNA	5	x	x	x
27	962269	Screw, 1/4-20 x 2.50 Hex	1	x	x	x
28	82505A	Squeegee Actuator Pin	1	x	x	x
29	63009A	Squeegee Lift Bar	1	x	x	x
30	80015A	Shoulder Bolt	1	x	x	x
31	920056	Nut, 6-32 ESNA	4	x	x	x
32	962920	Screw, 1/4-20 x 3.4 Soc.	1	x	x	x
33	60420A	Front Arm	1	x	x	x
34	920110	Nut, 5/16-18 ESNA	5	x	x	x
35	56493A	Squeegee Press. Spring	2	x	x	x
36	18806A	Squeegee Asm.	1		x	
	18805A	Squeegee Asm.	1			x
	18807A	Squeegee Asm, 29" Acc	1			x
	18808A	Squeegee Asm.	1	x		
37	836711	Hairpin	3	x	x	x
38	85727A	Screw, 3/8-16 x 1 Hwx	1	x	x	x
39	85704A	Screw, 3/8-16 x 2 1/4	2	x	x	x
40	37016A	Pad	1	x	x	x
41	67899A	Spacer	1	x	x	x
42	85811A	Screw, 5/16-18x.75	2	x	x	x
43	66531A	Swing Arm Pin	1	x	x	x
44	836711	Hair Pin	1	x	x	x
45	60416A	Arm, Pivot	1	x	x	x
46	81207A	Nut, 3/8-16 SS	2	x	x	x

Clarke Vision 32 IX
Brush Head Assembly Drawing 8/97



**Clarke Vision 32 IX
Brush Head Assembly Parts List 8/97**

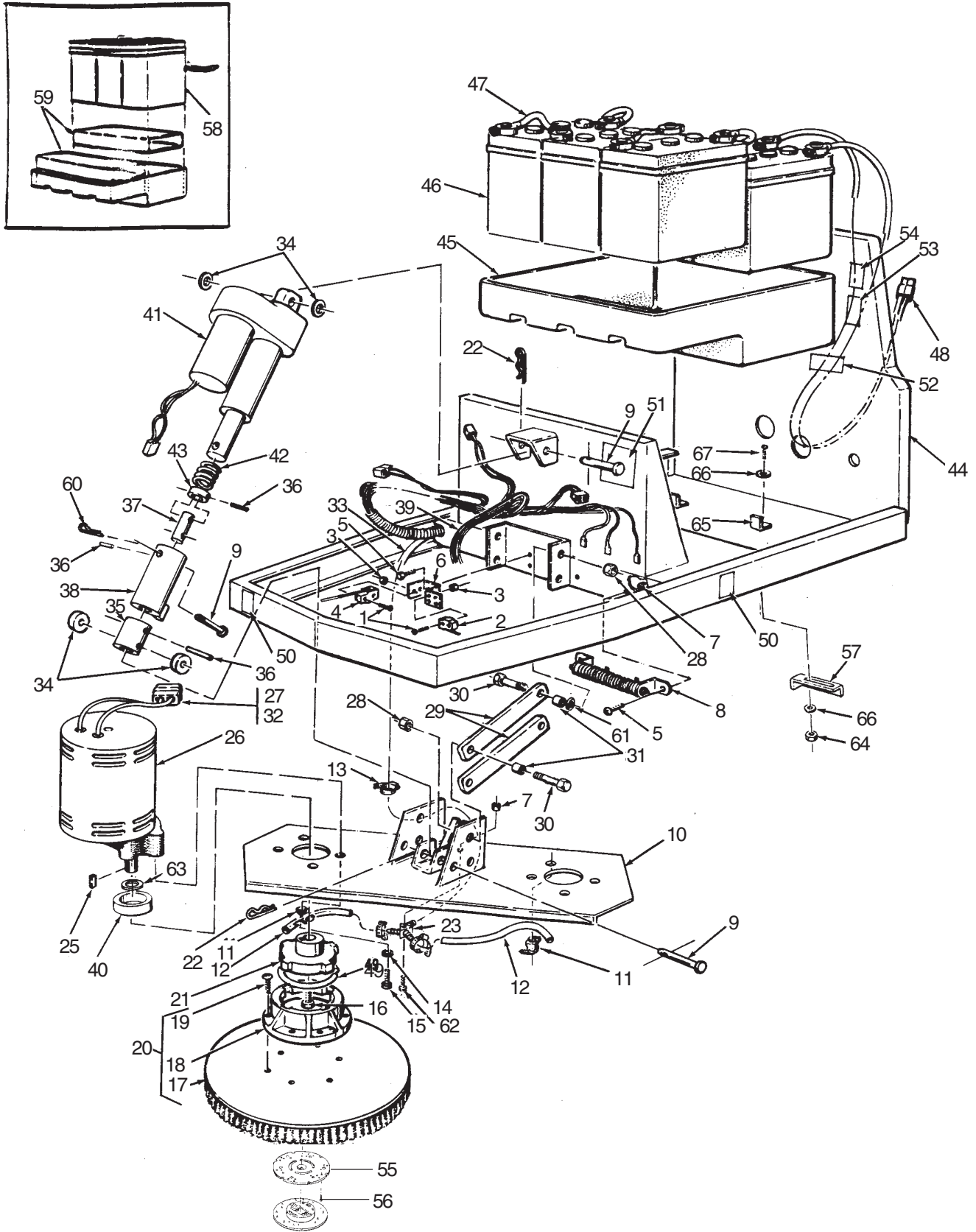
Ref #	Part No.	Description	Qty
1	962980	Screw, 6-32 X 1 PN	4
2	47374A	Lever Switch(Hd.Up/Br.Start)	2
3	920056	Nut, 6-32 ESNA	4
4	47389A	Switch, Brush(Scrublmit)	1
5	85391A	Screw, ¼-20 x 5/8 PN	8
6	60683A	Switch Bracket	1
7	69013A	Frame Skirt L.H.	1
8	69014A	Frame Skirt R.H.	1
9	82501A	Pin	3
10	68679A	Brush Plate	1
11	782002	Clamp	2
12	30428A	Brush Hose	2
13	81104A	Nut ¼ -20 ESNA	4
14	980638	Washer, Lock 3/8	8
15	962244	Screw 3/8-16 x 3/4 HX	8
16	962714	Screw, 5/16-18 x 3/4 Soc	2
17	51461A	Poly Brush	2
	51462A	Grit Brush	2
	53135A	Pad Driver	2
18	833802	Gimbal	2
19	962495	Screw, ¼-20 x 1 PN	6
20	11424B	Poly Brush Assembly	2
	11425B	Grit Brush Assembly	2
	17520C	Pad Driver Assembly	2
21	34400B	Gimbal	2
22	836711	Hairpin	3
23	838502	Splitter, Water	1
25	915102	Key	1
26	45036A	Brush Motor	2
27	722030	Hose Clamp	5
28	920365	Nut, ½-13 ESNA	8
29	63032A	Linkage Bar	4
30	962344	Screw, ½-13 x 1¼ Hx	8
31	67705B	Sleeve Bearing	8
32	59856A	Washer, Rubber	2

Ref #	Part No.	Description	Qty
33	85301A	Screw ¼-20 x 1¼ Pn	2
34	38708A	Nylon Washer	4
35	67703A	Head Pressure Sleeve	1
36	82404A	Spirol Pin, 3/16	3
37	66541A	Head Pressure Pin	1
38	69126A	Head Pressure Tube	1
39	41601A	Connector	2
40	41602A	Connector Housing	2
41	50202A	Actuator	1
42	53411A	Spring, HD. Pressure	1
43	69006A	Spring Seat	1
44	63426A	Main Frame	1
45	35199A	Solution Hose	1
46	49698C	Main Harness	1
47	39006A	Battery Tray	1
48	871334	Battery, 12 Volt 195 AH	3
	881317	Battery, 6 Volt 250 AH	6
	891384	Battery, 6 Volt 330 AH	6
	40702A	Battery, 6 Volt 370 AH	6
49	842406	Series Cable-9"	3
	41206A	Series Cable-16"	2
50	41208A	Battery Cable	1
51	77091A	Label, Warning-Moving	3
52	77097A	Label, Wiring	2
53	77098B	Label, Battery	1
54	77092A	Label, Warning-Battery	2
55	77093A	Label, Warning-Falling	2
56	962737◆	Screw #10-16 x 7/8 (pad driver only)	6
57	56941A◆	Center-Lok Asm. (pad driver only)	2
58	68113A	Swing Arm Stop	1
59	925006	Cotter Key	1
60	980673*	Washer ½ I.D. x 7/8 x 3/64	8
61	838301	Brush Holder Spring	2
62	60659A	Bracket	2
63	920110	Nut, 5/16 -18 ESNA	2
64	980205	Washer	3
65	85814A	Screw, 5/16 -18 x ¾ Hex	2
66	61658A	Gimbal Collar	2

NOTE: * #60 used only as needed
to square up linkage bars (item # 29)

NOTE: indicates a change has taken place since
last publication of this manual.

Clarke Vision 38 I - 32 I - 26 I/IX
 Brush Head Assembly Parts List 8/97



**Clarke Vision 38 I - 32 I - 26 I/IX
Brush Head Assembly Parts List 8/97**

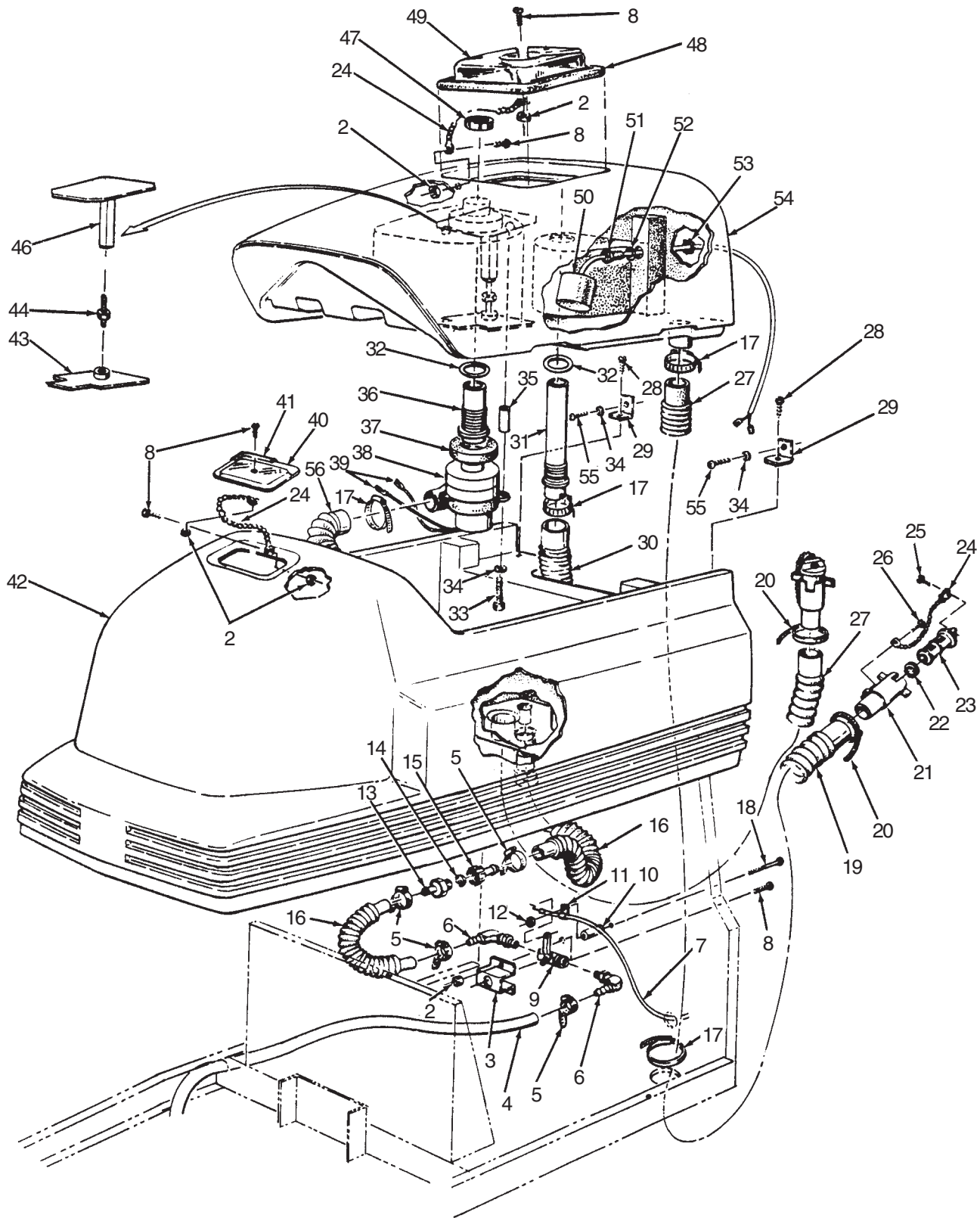
Ref #	Part No.	Description	Qty				
				38	32	26	IX
1	962980	Screw, 6-32 x 1 PN	4	x	x	x	x
2	47374A	Lever Switch (Head Up)	1	x	x	x	
	47374A	Lever Switch (Hd. Up/Br Start)	2			x	
3	920056	Nut, 6-32 ESNA	6	x	x	x	x
4	47389A	Switch, Brush (Scrub Limit)	1	x	x	x	x
5	85391A	Screw, ¼-20 x 5/8 PN	4	x	x	x	
6	60683A	Switch Bracket	1	x	x		
	60695A	Switch Bracket	1		x	x	
7	81104A	Nut, ¼-20 ESNA	4	x	x	x	x
8	46507A	Resistor	1	x	x		
	912300	Resistor	1			x	
9	82501A	Pin	3	x	x	x	x
10	68679A	Brush Plate	1		x		
	68618A	Brush Plate	1		x	x	
	68680A	Brush Plate	1	x			
11	782002	Clamp	2	x	x	x	x
12	30428A	Brush Hose	2		x		
	34705A	Brush Hose	2		x	x	
	30429A	Brush Hose	2	x			
13	722030	Hose Clamp	1	x	x	x	x
14	980638	Washer, Lock 3/8	8	x	x	x	x
15	962244	Screw, 3/8-16 x 3/4 Hx	8	x	x	x	x
16	962714	Screw, 5/16-18 x 3/4 Soc	2	x	x	x	x
17	51461A	Poly Brush - 17"	2		x		
	51462A	Grit Brush - 17"	2		x		
	53135B	Pad Driver - 17"	2		x		
	51459A	Poly Brush - 14"	2		x	x	
	51460A	Grit Brush - 14"	2		x	x	
	53134B	Pad Driver - 14"	2		x	x	
	51478A	Poly Brush - 19"	2	x			
	51477A	Grit Brush - 19"	2	x			
	53143B	Pad Driver - 19"	2	x			
18	833802	Gimbal	2	x	x	x	x
19	962495	Screw, ¼-20 x 1 Pn	6	x	x	x	x
20	11424B	Poly Brush Asm. 17"	2		x		
	11425B	Grit Brush Asm. 17"	2		x		
	17520C	Pad Driver Asm. 17"	2		x		
	11427B	Poly Brush Asm. 14"	2		x	x	
	11426B	Grit Brush Asm. 14"	2		x	x	
	17521C	Pad Driver Asm. 14"	2		x	x	
	11434B	Poly Brush Asm. - 19"	2	x			
	11433B	Grit Brush Asm - 19"	2	x			
	17524B	Pad Driver Asm - 19"	2	x			
21	34400B	Gimbal	2	x	x	x	x
22	836711	Hairpin	3	x	x	x	x
23	838502	Water Splitter	1	x	x	x	x
25	915102	Key	1	x	x	x	x
26	45033A	Brush Motor	2		x	x	x
	45036A	Brush Motor	2		x		
27	41601A	Connector	2	x	x	x	x

Ref #	Part No.	Description	Qty				
				38	32	26	IX
28	920365	Nut, ½-13 ESNA	8	x	x	x	x
29	63032A	Linkage Bar	4	x	x	x	x
30	962344	Screw, ½-13 x 1¼ HX	8	x	x	x	x
31	67705B	Sleeve Bearing	8	x	x	x	x
32	41602A	Connector Housing	2	x	x	x	x
33	35199A	Solution Hose	1	x	x	x	x
34	38708A	Nylon Washer	4	x	x	x	x
35	67703A	Head Pressure Sleeve	1	x	x	x	x
36	82404A	Spirol Pin, 3/16	3	x	x	x	x
37	66541A	Head Pressure Pin	1	x	x	x	x
38	69126A	Head Pressure Tube	1	x	x	x	x
39	49698C	Main Harness	1				x
	49699C	Main Harness	1	x	x	x	
40	61658A	Gimbal Collar	2	x	x	x	
41	50202A	Actuator	1	x	x	x	x
42	53402A	Head Pressure Spring	1	x	x		
	53411A	Head Pressure Spring	1			x	x
43	69006A	Spring Seat	1	x	x	x	x
44	63426A	Main Frame	1	x	x		
	63427A	Main Frame				x	x
45	39006A	Battery Tray	1	x	x	x	x
46	871334	Battery, 12 Volt, 195 AH	3	x	x	x	x
	881317	Battery, 6 Volt, 250 AH	6	x	x	x	x
	891384	Battery, 6 Volt, 330 AH	6	x	x	x	x
	40704A	Battery, 6 Volt, 370 AH	6	x	x	x	x
47	842406	Series Cable-9"	3	x	x	x	x
	41206A	Series Cable-16"	2	x	x	x	x
48	41208A	Battery Cable	1	x	x	x	x
49	838301	Brush Holder Spring	2	x	x	x	x
50	77091A	Label, Warning-Moving	3	x	x	x	x
51	77099A	Label, Wiring	1	x	x	x	
	77097A	Label, Wiring	1				x
52	77098B	Label, Battery	1	x	x	x	x
53	77092A	Label, Warning-Battery	2	x	x	x	x
54	77093A	Label, Warning-Falling	2	x	x	x	x
55	56941A◆	Center-Lok Asm., (pad driver only)	2	x	x	x	x
56	962737◆	Screw #10-16x7/8 (pad driver only)	6	x	x	x	x
57	68113A	Swing Arm Stop	1	x	x	x	x
58	871334	Battery, 12 Volt, 195 AH	3	x	x	x	
59	67881A	Spacer, 12 Volt Battery	2	x	x	x	
60	925006	Cotter Pin	1	x	x	x	x
61	980673*	Washer ½ I.D. x 7/8 x 3/64	8	x	x	x	x
62	85301A	Screw ¼-20 x 1¼ PN	2	x	x	x	x
63	59856A	Washer, Rubber	2	x	x	x	x
64	920181	Nut, 5/16 - 18 ESNA	2	x	x	x	x
65	60659A	Bracket	2	x	x	x	x
66	980205	Washer	3	x	x	x	x
67	85814A	Screw, 5/16 - 18 x 1¼Hx	2	x	x	x	x

NOTE: * #61 used only as needed to square-up linkage bars (item 29)

NOTE: ◆ indicates a change has taken place since last publication of this manual.

Clarke Vision 38 I/ 32I/IX - 26 I/IX
 Solution/Vacuum System Drawing 7/96

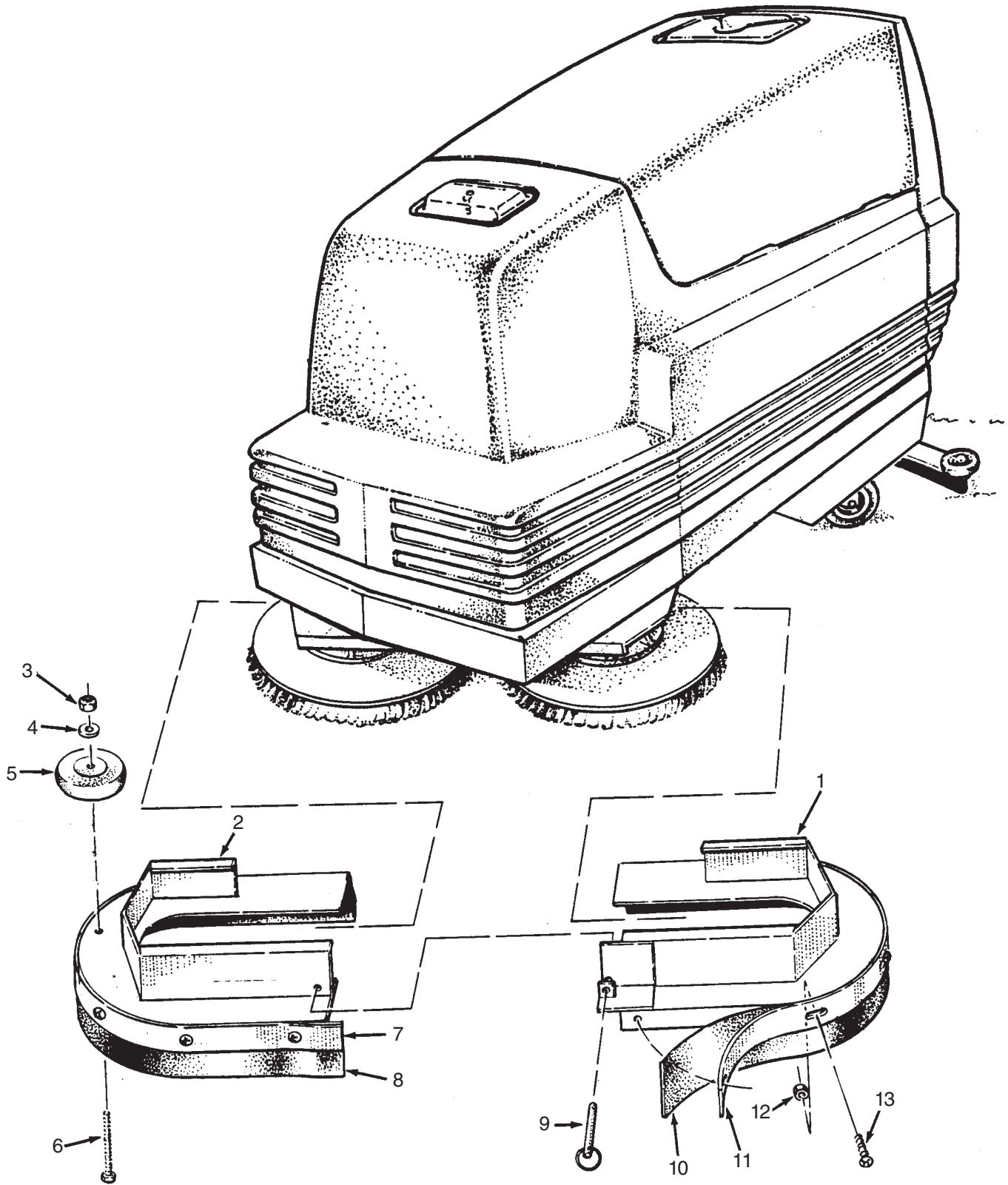


**Clarke Vision 38 I/ 32 I/IX - 26 I/IX
Solution/Vacuum System Parts List 7/96**

Ref #	Part No.	Description	Qty	38	32	IX	26	IX
				I	I		I	
1	30400A	Hose	1	x	x	x	x	x
2	920296	Nut, 10-24 ESNA	6	x	x	x	x	x
3	820823	Bracket	1	x	x	x	x	x
4	35199A	Solution Hose	1	x	x	x	x	x
5	722030	Hose Clamp	6	x	x	x	x	x
6	822802	Elbow	2	x	x	x	x	x
7	61652A	Solution Control	1	x	x	x	x	x
8	962798	Screw, 10-24 x 1/2 Pan	6	x	x	x	x	x
9	849401	Solution Valve	1	x	x	x	x	x
10	678215	Spacer	1	x	x	x	x	x
11	832102	Cable Clip	1	x	x	x	x	x
12	81104A	Nut, 1/4-20 ESNA	1	x	x	x	x	x
13	830214	Connector	1	x	x	x	x	x
14	838517	Filter Screen	1	x	x	x	x	x
15	50335A	Hose Adapter	1	x	x	x	x	x
16	30412A	Hose	2	x	x	x	x	x
17	872010	Hose Clamp	5	x	x	x	x	x
18	85702A	Screw, 1/4-20 x 1 3/4	1	x	x	x	x	x
19	35102A	Drain Hose, Recovery	1	x	x	x	x	x
20	832002	Clamp	2	x	x	x	x	x
21	839401	Drain Valve	2	x	x	x	x	x
22	833407	Drain Gasket	2	x	x	x	x	x
23	833901	Drain Valve Handle	2	x	x	x	x	x
24	52206A	Chain	4	x	x	x	x	x
25	962987	Screw, 10-24 x 3/8 PN	2	x	x	x	x	x
26	962943	Screw, 8-18 x 1/2 PN	2	x	x	x	x	x
27	30405A	Drain hose, Solution	1	x	x	x	x	x
28	85391A	Screw, 1/4-20 x 5/8 PN	4	x	x	x	x	x
29	60659A	Bracket	2	x	x	x	x	x
30	30409B	Squeegee Hose	1	x	x	x	x	x

Ref #	Part No.	Description	Qty	38	32	IX	26	IX
				I	I		I	
31	830208	Squeegee Adapter	1	x	x	x		
	30123A	Squeegee Adapter	1				x	x
32	837304	O-Ring	2	x	x	x	x	x
33	85728A	Screw, 1/4-20x4.00Hex	3	x	x	x	x	x
34	87026A	Washer, Flat 1/4	5	x	x	x	x	x
35	58533A	Vac Motor Spacer	3	x	x	x	x	x
36	30120A	Adapter, Vac	1	x	x	x		
	30122A	Adapter, Vac	1				x	x
37	643418	Gasket	1	x	x	x	x	x
38	45019A	Vac Motor	1	x	x	x	x	x
39	41809A	Contact	4	x	x	x	x	x
	43401A	Housing Black - Vac	2	x	x	x	x	x
	43402A	Housing Blue - Float	2	x	x	x	x	x
40	36200A	Solution Lid	1	x	x	x	x	x
41	34266A	Solution Lid Gasket	1	x	x	x	x	x
42	38940B	Solution Tank	1				x	x
	38944B	Solution Tank	1				x	x
	38970B	Solution Tank	1	x				
43	63068A	Tank Support Base	1	x	x	x	x	x
44	67154A	Rod Assembly	1	x	x	x	x	x
46	69520A	Support Top	1	x	x	x	x	x
47	56476A	Vacuum Strainer	1	x	x	x	x	x
48	34265A	Recovery Lid Gasket	1	x	x	x	x	x
49	36204A	Recovery Lid	1	x	x	x	x	x
50	14092A	Float Switch (Vac)	1	x	x	x	x	x
51	56459A	Strain Relief	1	x	x	x	x	x
52	87612A	Seal	1	x	x	x	x	x
53	82100A	Locknut	1	x	x	x	x	x
54	38941B	Recovery Tank	1	x	x	x		
	38945B	Recovery Tank	1				x	x
55	170915	Screw, 1/4-20 x 3/4 hex	2	x	x	x		
56	30410A	Hose, Vac Motor	1	x	x	x	x	x

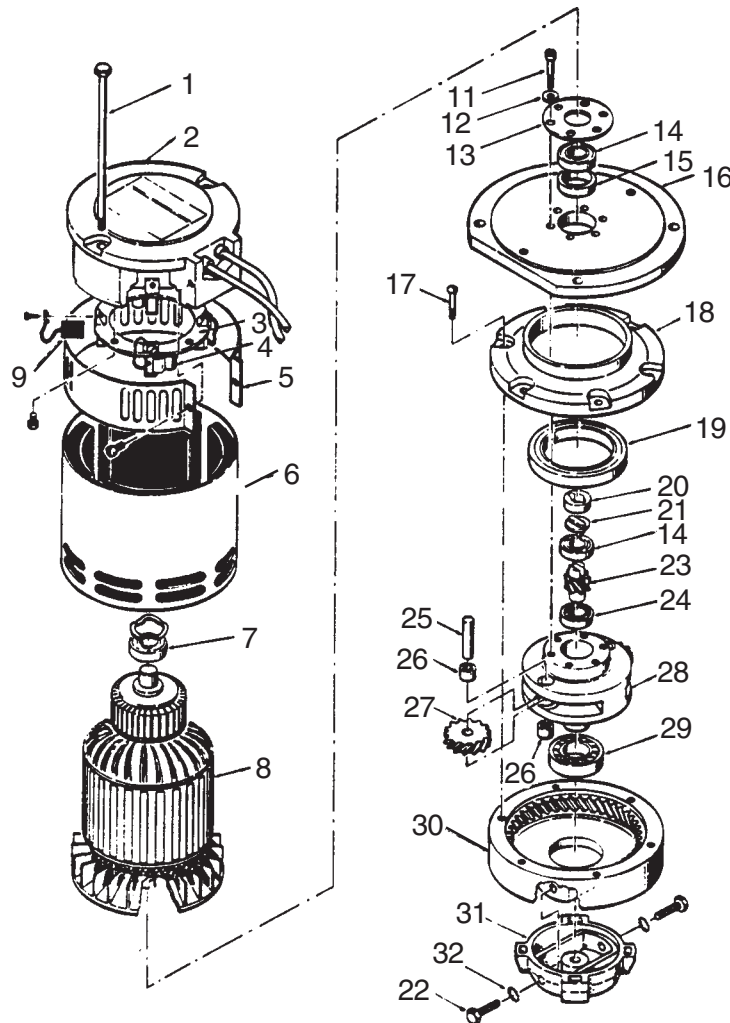
Clarke Vision 38 I/ 32 I/IX - 26 I/IX
Brush Housing Assembly Drawing 7/96



Clarke Vision 38 I/ 32 I/IX - 26 I/IX
Brush Housing Assembly Parts List 7/96

Ref #	Part No.	Description	Qty	38	32	IX	26	IX
				I	I	I	I	I
1	64718A	Brush Housing, L.H.	1	x	x			
	64715A	Brush Housing, L.H.	1			x	x	
	64724A	Brush Housing, L.H.	1	x				
2	64719A	Brush Housing, R.H.	1	x	x			
	64716A	Brush Housing, R.H.	1			x	x	
	64725A	Brush Housing, R.H.	1	x				
3	81105A	Nut, 3/8-16 ESNA	1	x	x	x	x	x
4	980687	Washer	1	x	x	x	x	x
5	59950A	Guide, Wheel	1	x	x	x	x	x
6	85704A	Scr., 3/8-16 x 2¼	1	x	x	x	x	x
7	69038A	Strap, R.H.	1	x	x			
	69034A	Strap, R.H.	1			x	x	
	69066A	Strap, R.H.	1	x				
8	38224A	Skirt, R.H.	1	x	x			
	38223A	Skirt, R.H.	1			x	x	
	38229A	Skirt, R.H.	1	x				
9	50449A	Pin	1	x	x	x	x	x
10	38225A	Skirt, L.H.	1	x	x			
	38222A	Skirt, L.H.	1			x	x	
	38230A	Skirt, L.H.	1	x				
11	69037A	Strap, L.H.	1	x	x			
	69033A	Strap, L.H.	1			x	x	
	69065A	Strap, L.H.	1	x				
12	81104A	Nut, 1/4-20 ESNA	13	x	x			
	81104A	Nut, 1/4-20 ESNA	11			x	x	
	81104A	Nut, 1/4-20 ESNA	14	x				
13	85737A	Scr., 1/4-20 x 5/8 Hx	13	x	x			
	85737A	Scr., 1/4-20 x 5/8 Hx	11			x	x	
	85737A	Scr., 1/4-20 x 5/8 Hx	14	x				

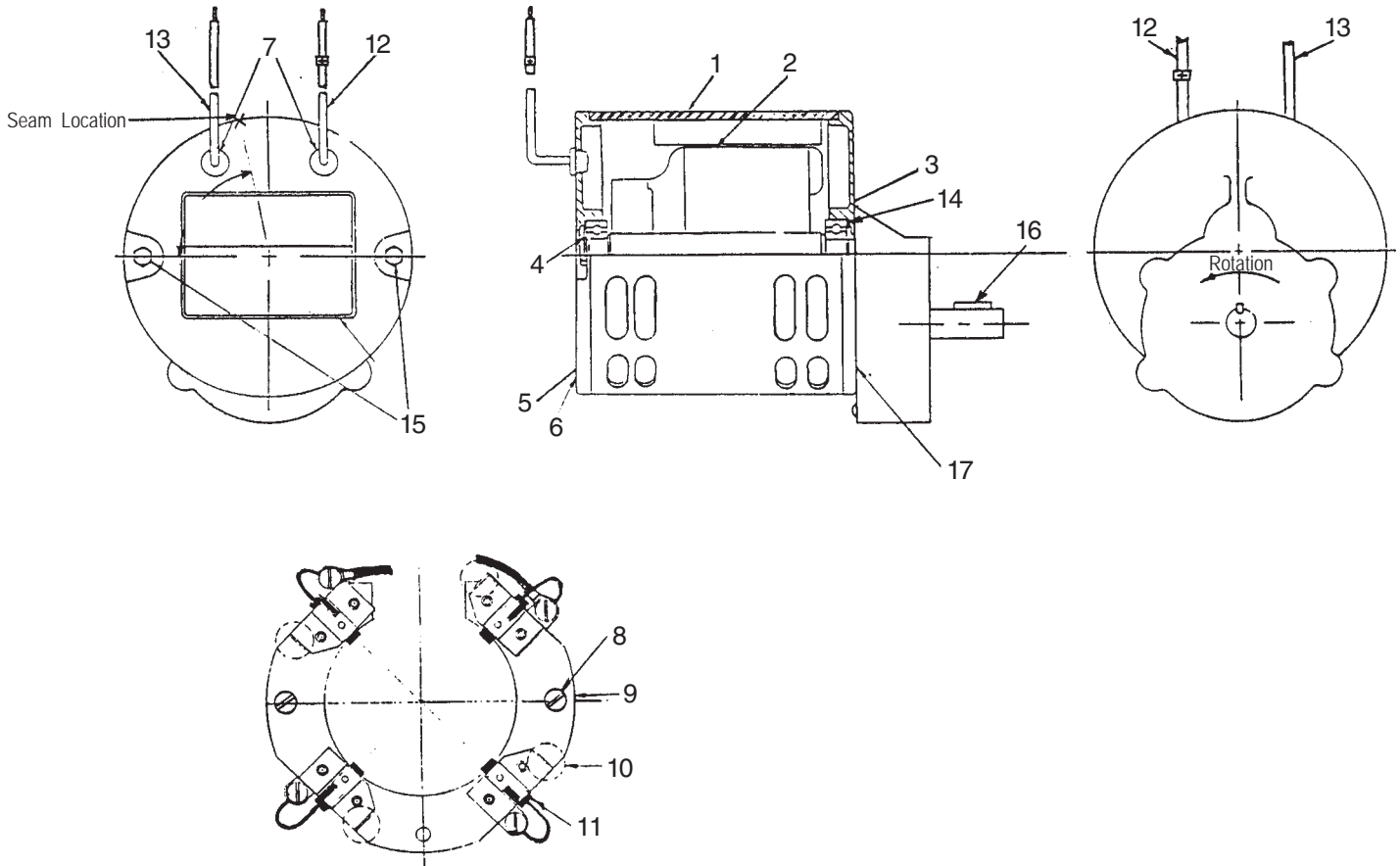
**Clarke Vision 32 IX
Brush Motor #45023A 4/96**



Ref #	Part No.	Description	Qty
1	57905A	Screw ¼-20 x 7¼	2
2	830836	Bracket - Commutator	1
3	831310	Board Assembly - Brush	1
4	448396	Spring Brush	4
5	442395	Cover - Brush Board	1
6	833101	Field Assembly	1
7	902550	Bearing	1
8	40310A	Armature assembly	1
9	830925	Brush Assembly	1
10			
11	962966	Screw, Socket Head	6
12	980650	Washer, Lock ¼"	6
13	56922A	Plate, Retainer	1
14	902606	Bearing	4
15	58520A	Spacer, Sleeve	1
16	20304A	Endshield	1

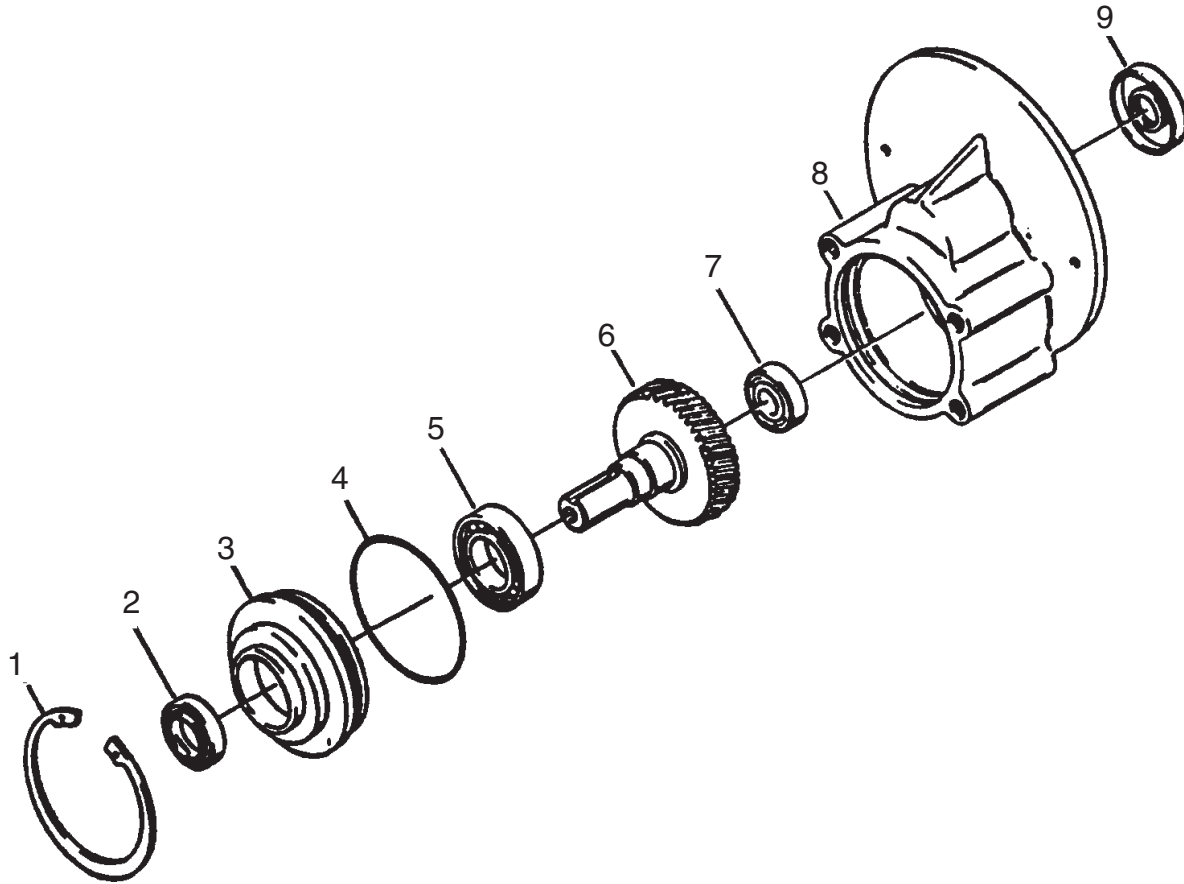
Ref #	Part No.	Description	Qty
17	962794	Screw 10-24 x 1	6
18	54858A	Cover, Housing	1
19	902736	Bearing	1
20	58314A	Retainer	1
21	52642A	Coupling	1
22	85390A	Screw ¼-20 x 1¼ S.S.	2
23	58313A	Gear, Pinon	1
24	51158A	Bearing	1
25	58312A	Shaft	1
26	902737	Bearing, Needle	6
27	54408A	Gear, Idler	2
28	52020A	Gage	1
29	902573	Bearing	1
30	54870A	Housing, Drive	1
31	34402A	Gimbal, Mtr.	1

**Clarke Vision 38I / 32I / 26IX
Brush Motor #45033A (32 I & 26 IX) / 45036A (38 I) 11/93**



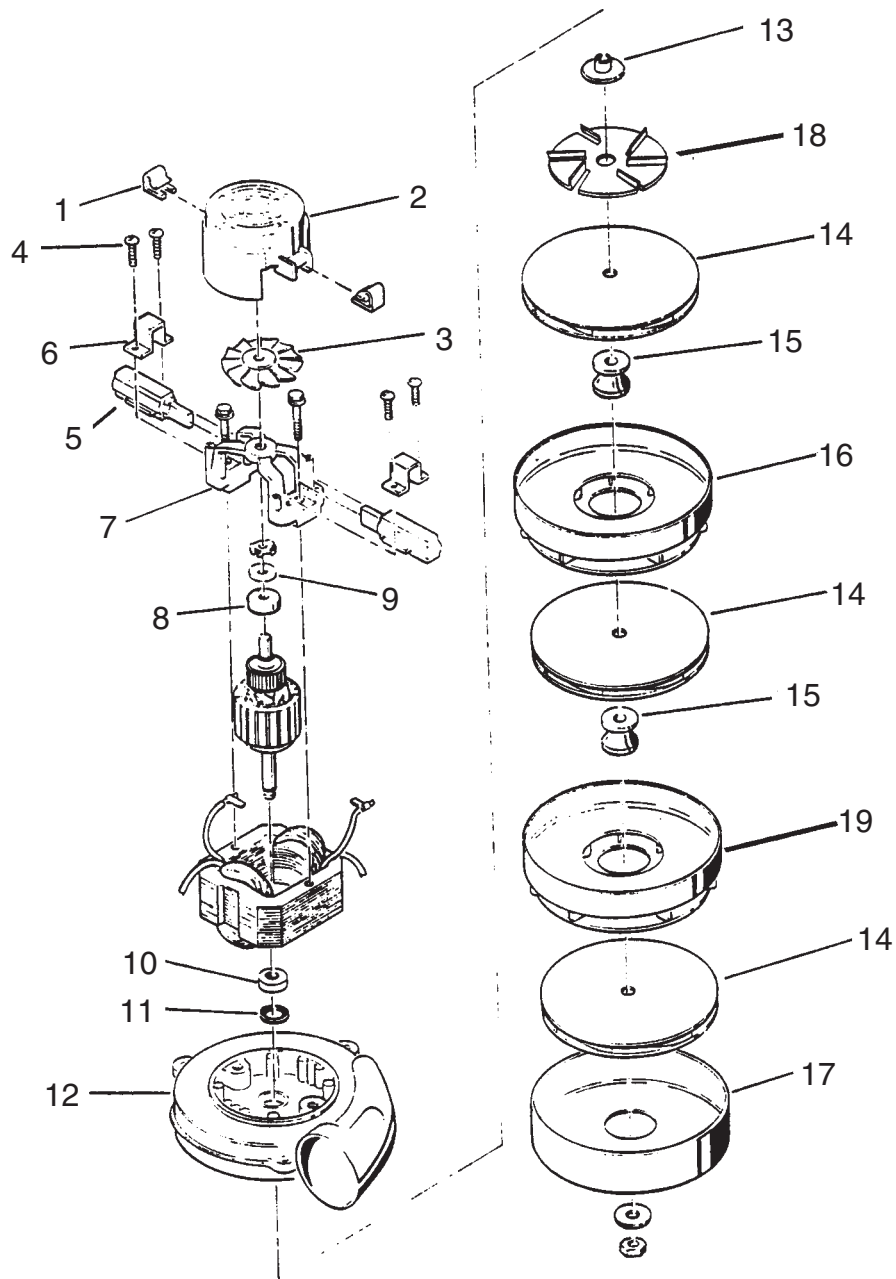
Ref #	Part No.	Description	Qty			
				38I	32I	26I
1	56478A	Stator Assembly (w/Magnets & Clips)	1	x	x	
	46734A	Stator Assembly (w/Magnets & Clips)	1	x		
2	40312A	Armature Asm.(w/B.E. & F.E. bearings)	1	x	x	
	40318A	Armature Asm.(w/B.E. & F.E. bearings)	1	x		
3	902654	Bearings B.E.	1	x	x	x
4	902550	Bearing F.E.	1	x	x	x
5	51840A	Commutator Bracket Assembly (w/Brush BRD Assembly Leads)	1	x	x	x
6	50520A	Commutator Bracket	1	x	x	x
7	56480A	Strain Relief	2	x	x	x
8	962546	Brush Board Screw	2	x	x	x
9	50517A	Brush Board Asm. (w/springs & brushes)	1	x	x	x
10	448396	Brush Spring	4	x	x	x
11	40826A	Brush Assembly	4	x	x	x
12	55657A	Lead Assembly	1	x	x	x
13	55656A	Lead Assembly	1	x	x	x
14	59805A	Helical Washer	1	x	x	x
15	50515A	Thru Bolt	2	x	x	x
16	44809A	Shaft Key	1	x	x	x
17	54238A	B.E. Bracket Assembly (Gear Box)	1	x	x	x

Clarke Vision 38 I - 32 I - 26 IX
 Gear Box #54238A 11/93



Ref #	Part No.	Description	Qty
1	57846A	Ring, Snap	1
2	58143A	Seal, Oil, Small	1
3	52050A	Cap End	1
4	56668A	O'Ring	1
5	51176A	Bearing, Large	1
6	58316A	Shaft & Gear, Gearbox	1
7	902605	Bearing, Small	1
8	54883A	Housing	1
9	58144A	Seal, Oil Large	1
NI		Grease	1oz.

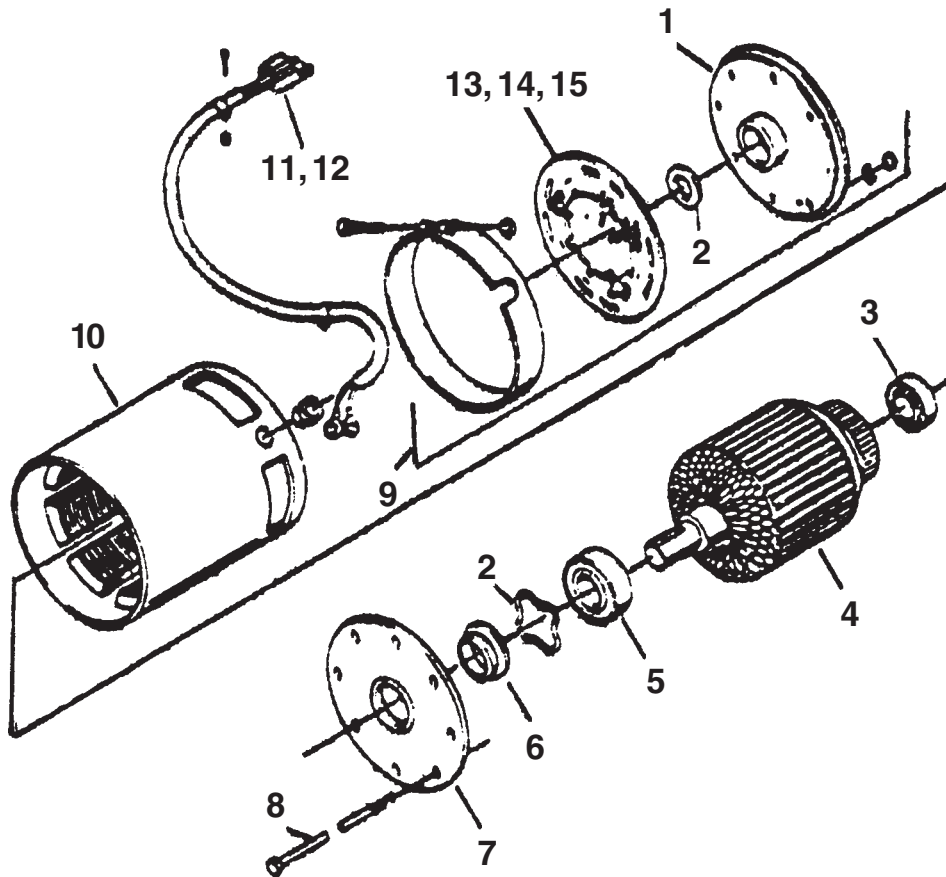
Clarke Vision 38 I/ 32 I/IX & 26 I/IX
 Vac Motor Assembly #45019A 11/95



Ref #	Part No.	Description	Qty
1	51913A	Clip (optional)	2
2	54809A	Housing	1
3	53905A	Fan	1
4	85303A	Screw - 8-32 x 3/8	4
5	40830A	Carbon Brushes	2
6	51914A	Clamp	2
7	50618A	Bracket	1
8	53100A	Disc	1
9	902679	Bearing - Ball	1
10	902648	Bearing - ball, radial	1

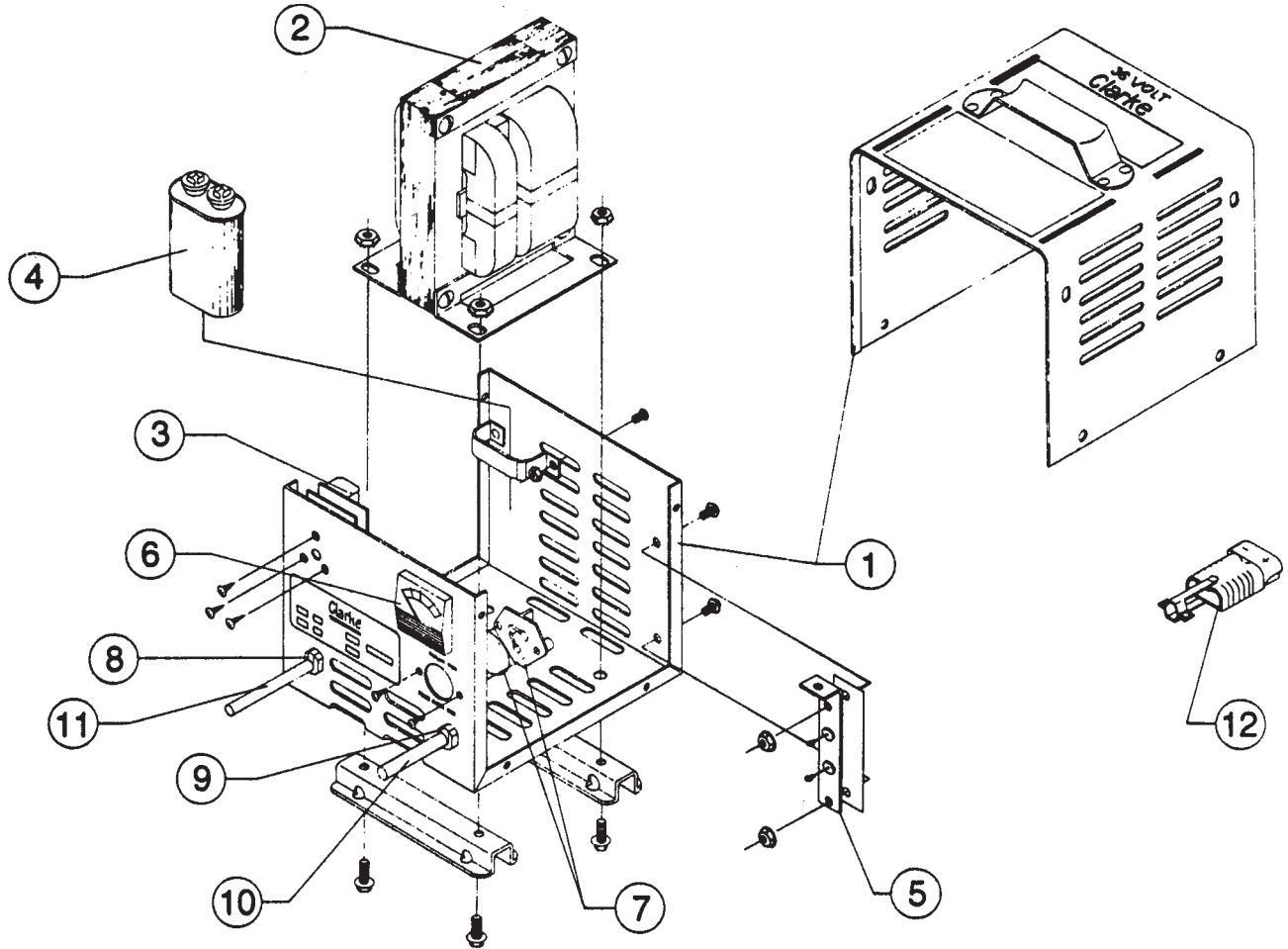
Ref #	Part No.	Description	Qty
11	59803A	Washer - neoprene	1
12	50610A	Bracket and shell	1
13	58501A	Spacer	1
14	53914A	Fan - Rotating	3
15	658201	Spacer	2
16	53908A	Fan - Stationary	1
17	658506	Shell	1
18	53995A	Fan, Air Seal	1
19	53996A	Fan, Stationary	1

Clarke Vision 38 I/ 32 I/IX - 26 I/IX
 Traverse Motor #835209 11/93



Ref #	Part No.	Description	Qty
1	830847	Bracket Commutator	1
2	980076	Washer - Helical	1
3	902547	Bearing	1
4	830402	Armature Assembly	1
5	902550	Bearing	1
6	897655	Seal - Oil	1
7	830845	Bracket	1
8	962955	Screw ¼-20 x 6 Hex	2
9	830839	Bracket Assembly	1
10	833102	Field Asm. w/Mag Clips	1
11	912206	Housing - Male Terminal Connector	1
12	912207	Terminal - Male	1
13	831313	Brush Holding Assembly	4
14	448396	Spring-Brush	4
15	830941	Brush Assembly	1

**Clarke Vision 38 I/ 32 I/IX - 26 I/IX
36 Volt Battery Charger 11/93**



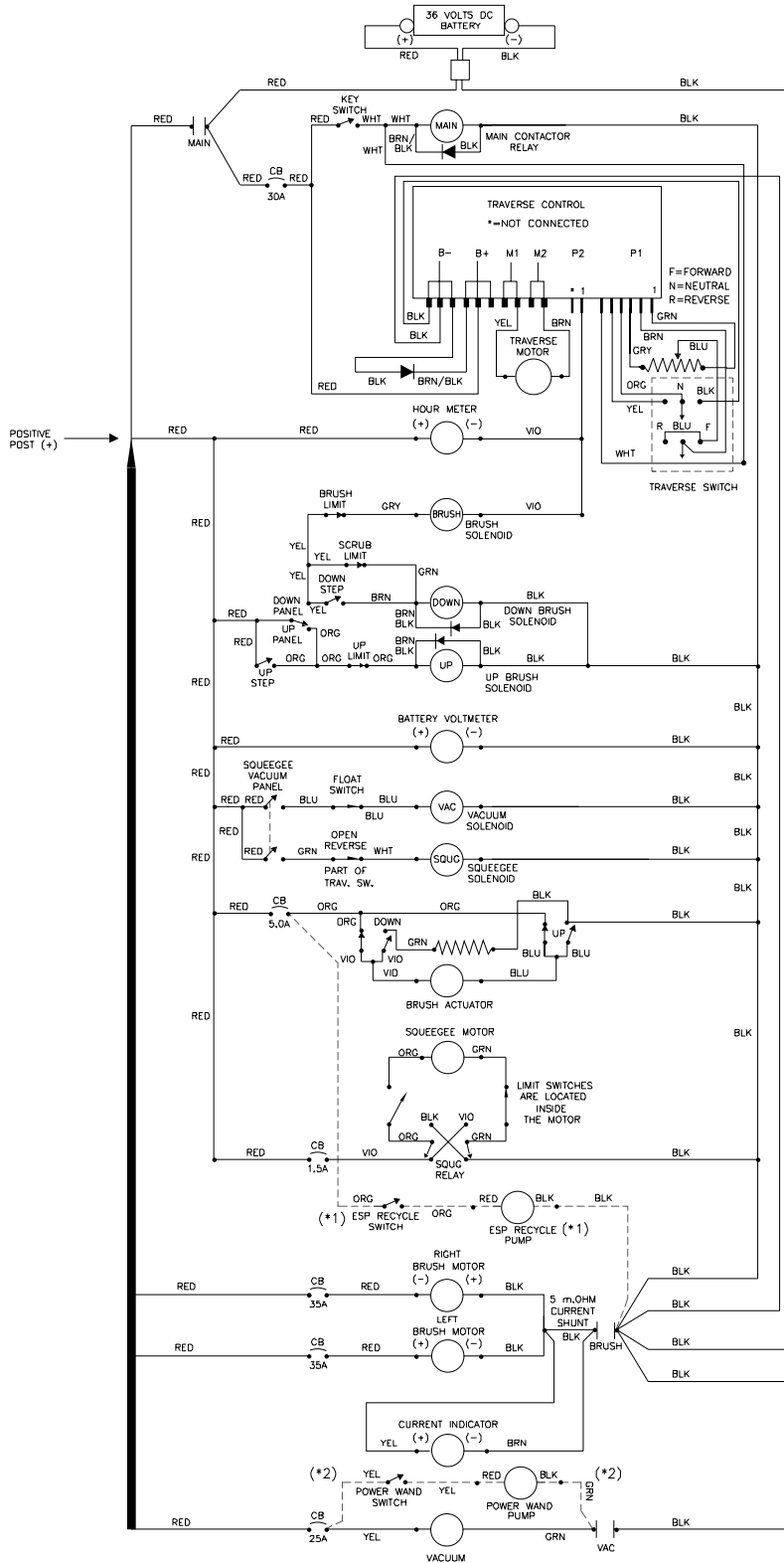
WARNING: All electrical repairs must be performed by qualified personnel only.

PARTS LIST FOR BATTERY CHARGERS

40506A - 36 Volt D.C., 25A, 115 Volt A.C., 60 Hz
 40505A - 36 Volt D.C., 25A, 230 Volt A.C., 50 Hz
 40507A - 36 Volt D.C., 25A, 230 Volt A.C., 60 Hz
 40514A - 36 Volt D.C., 36A, 115 Volt A.C., 60 Hz
 40515A - 36 Volt D.C., 36A, 230 Volt A.C., 50Hz

Ref #	Description	Charger Model Number				
		40506A Part #	40507A Part #	40505A Part #	40514A Part #	40515A Part #
1	Charger Case	42503A	42504A	51959A	41139A	51856A
2	Transformer	48400A	48412A	48401A	Ref	Ref
3	Electronic Timer Kit	41102A	41103A	41103A	41102A	41103A
4	Capacitor, 6Mfd., 660V.A.C.	912132	912132	912132	912132	912132
5	Heat Sink Assembly	912212	912212	912212	43301A	43301A
6	Ammeter	40200A	40200A	40200A	40210A	40210A
7	Fuse Assembly	912382	912382	912382	42704A	42704A
8	Strain Relief, A.C. Cord	837525	837525	837525	747553	747553
9	Strain Relief, D.C. Cord	747553	747553	747553	737502	737502
10	D.C. Cord Assembly	51973A	51973A	51973A	42303A	42303A
11	A.C. Cord Assembly	51974A	908947	908947	51974A	51857A
12	D.C. Plug	911185	911185	911185	911185	911185
	D.C. Plug Lock Key	795020	795020	795020	795020	795020

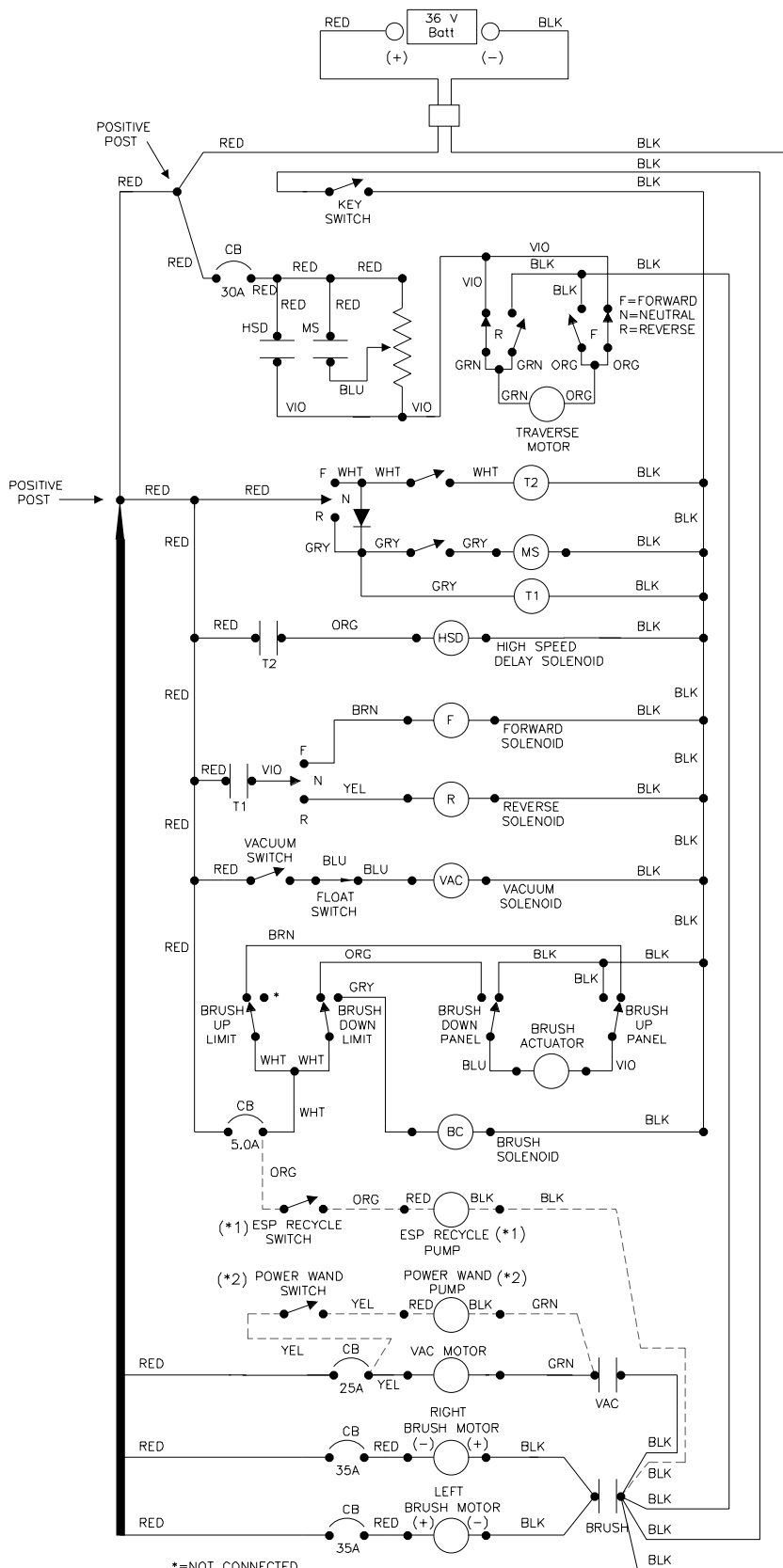
Clarke Vision 32 IX / 26 IX Electrical Schematic 10/96



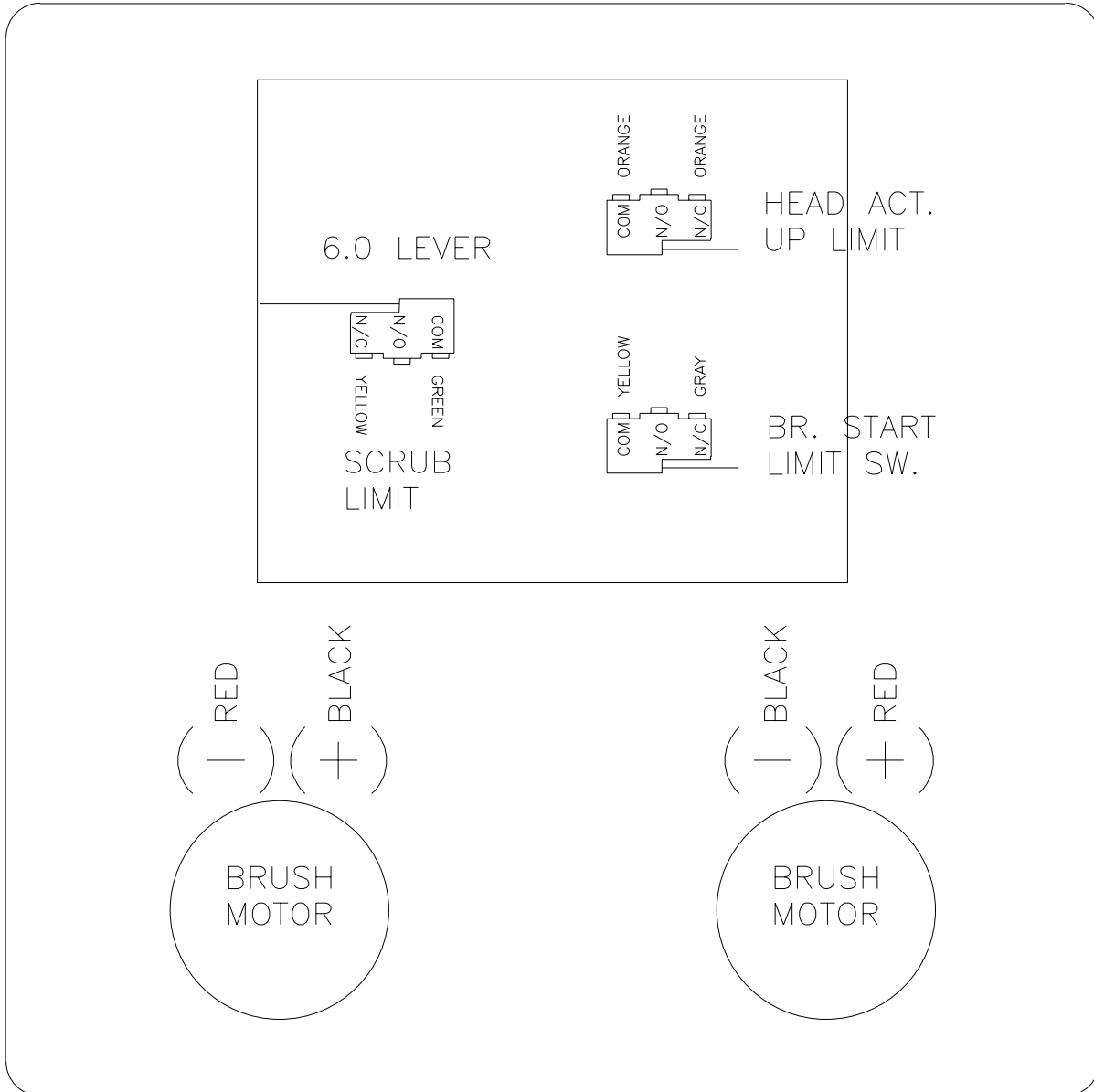
(*1) ESP RECOVERY SYSTEM OPTION.

(*2) POWERWAND SYSTEM OPTION.

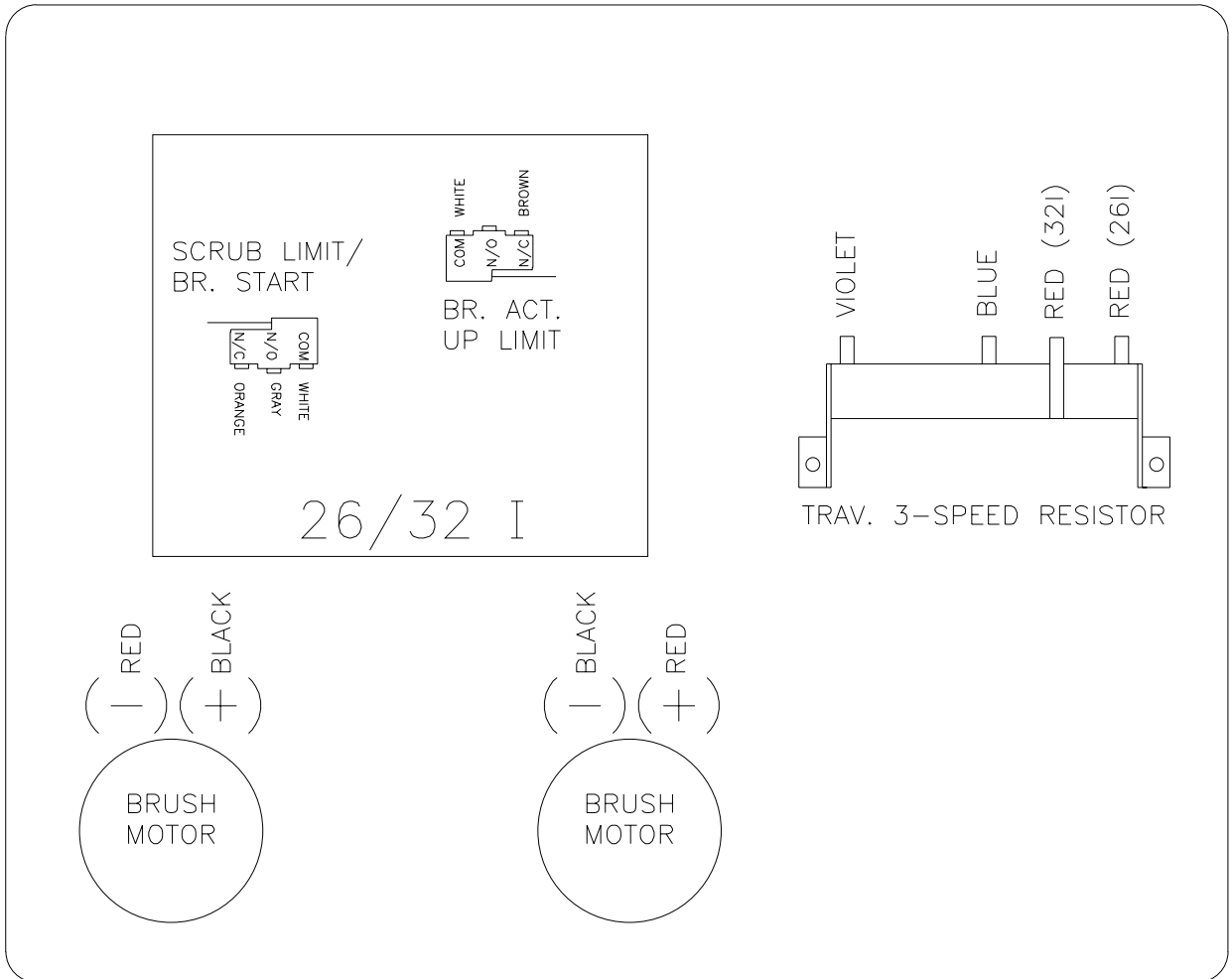
Clarke Vision 38 I / 32 I / 26 I Electrical Schematic 10/96



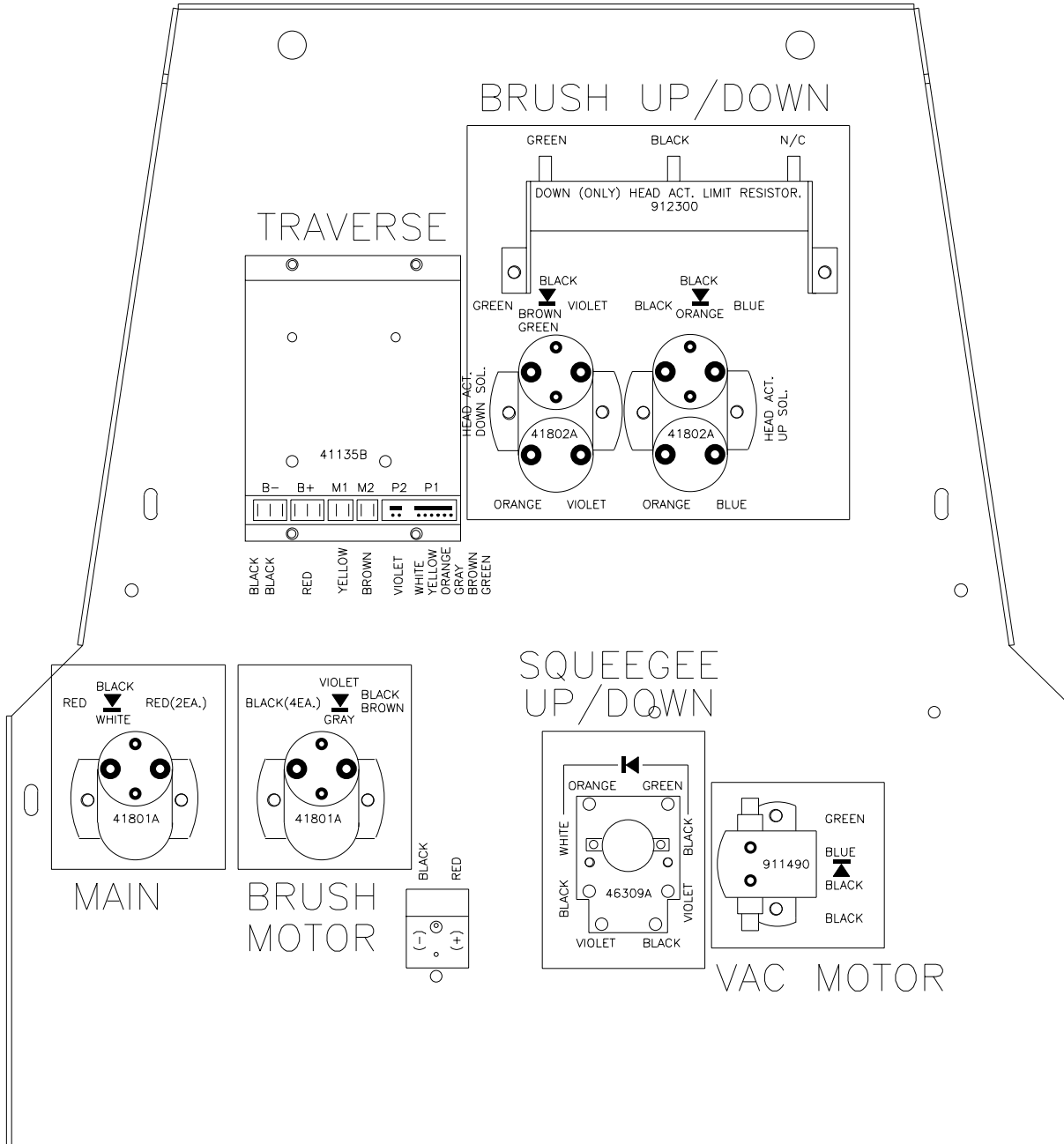
**Clarke Vision 32 IX / 26 IX
 Connection Diagram 1/97
 Front of Machine (Tank Removed)**



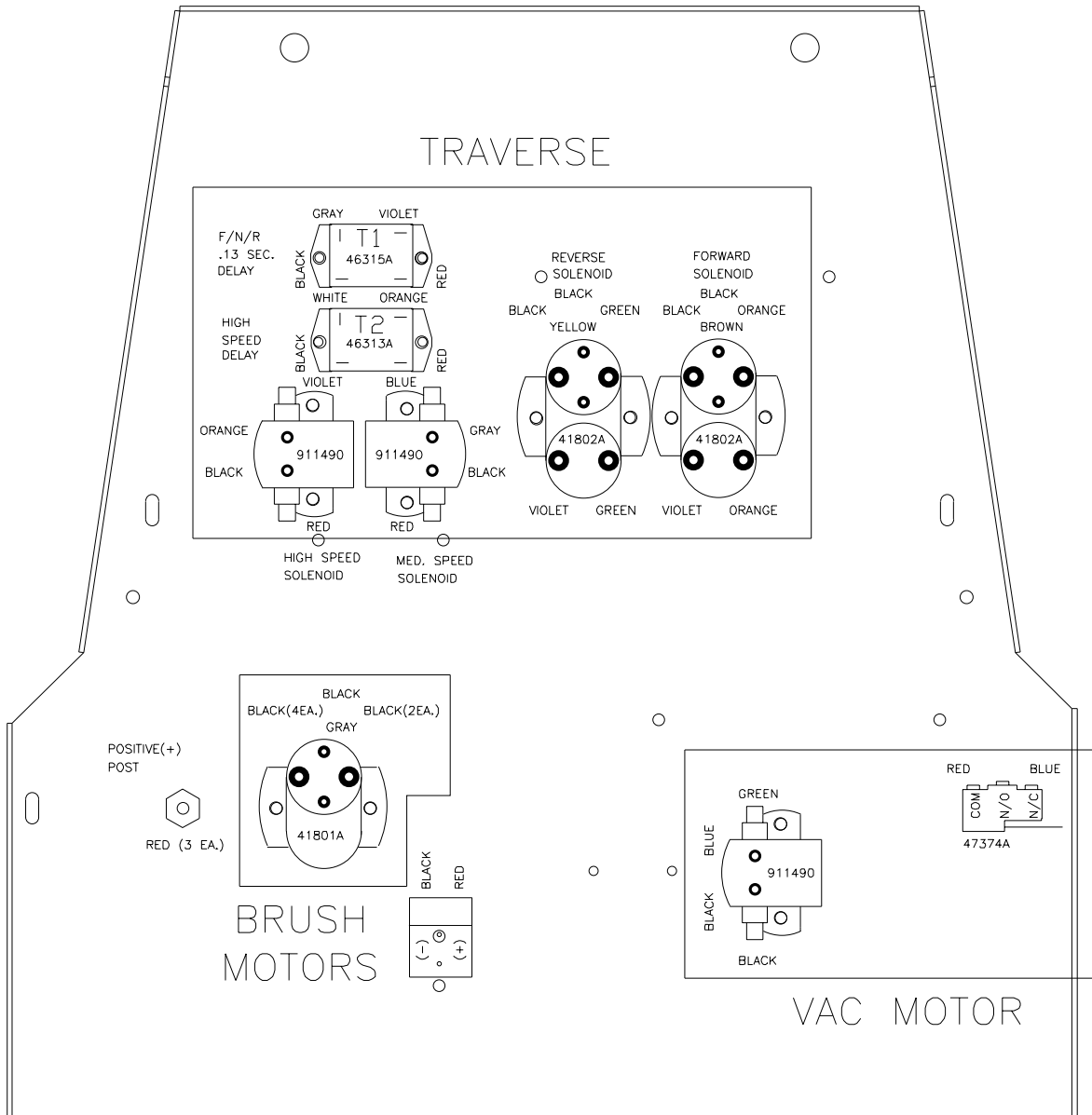
Clarke Vision 38 I / 32 I / 26 I
Connection Diagram 1/97
Front of Machine (Tank Removed)



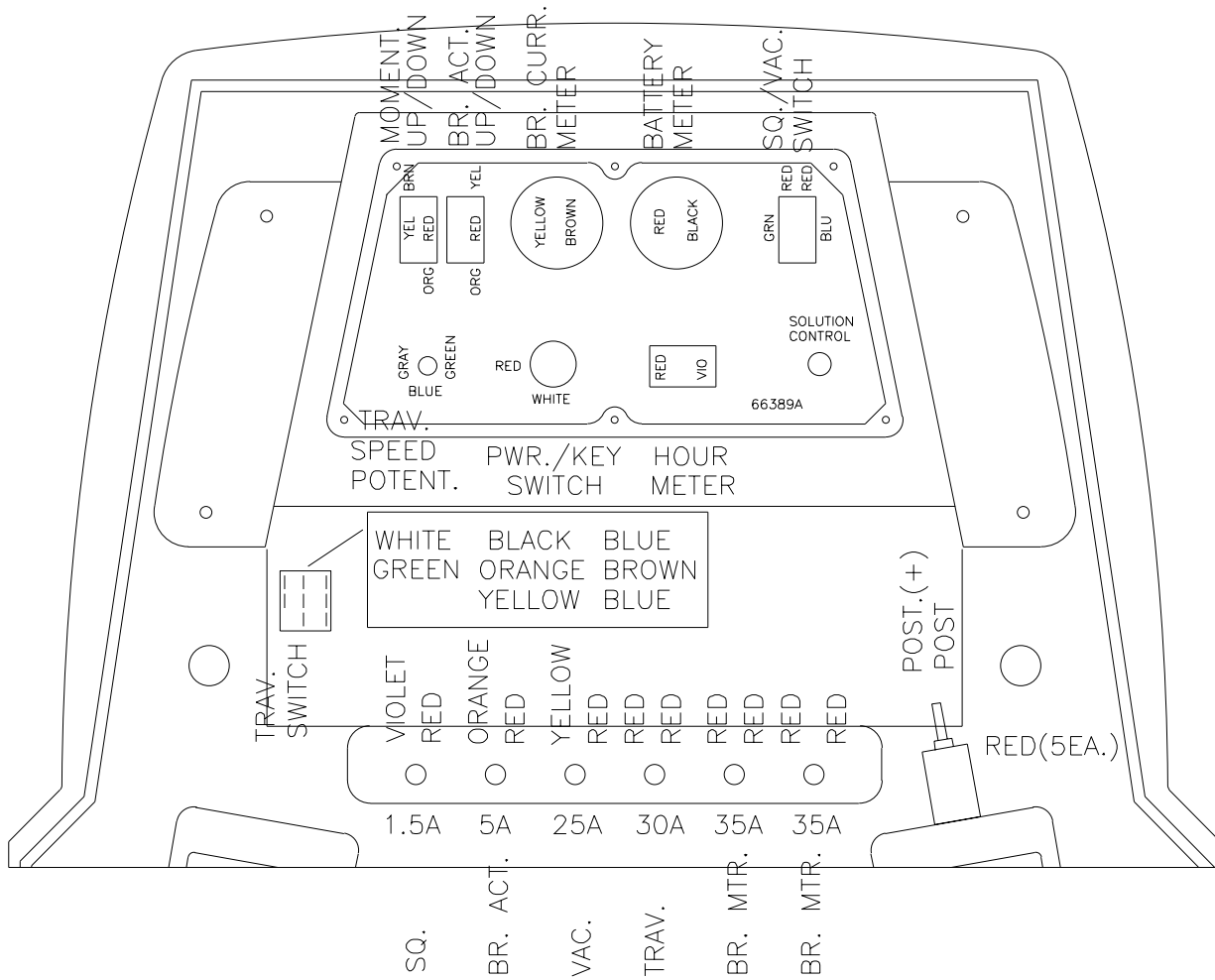
**Clarke Vision 32 IX / 26 IX
Connection Diagram 1/97
Rear of Machine (Rear Cover Open)**



Clarke Vision 38 I / 32 I / 26 I
Connection Diagram 1/97
Rear of Machine (Rear Cover Open)



**Clarke Vision 32 IX / 26 IX
Connection Diagram 1/97
Inside Rear Cover**



**Clarke Vision 38 I/ 32 I/ 26 I
 Connection Diagram 1/97
 Inside Rear Cover**

