



IPC Integrated Professional Cleaning

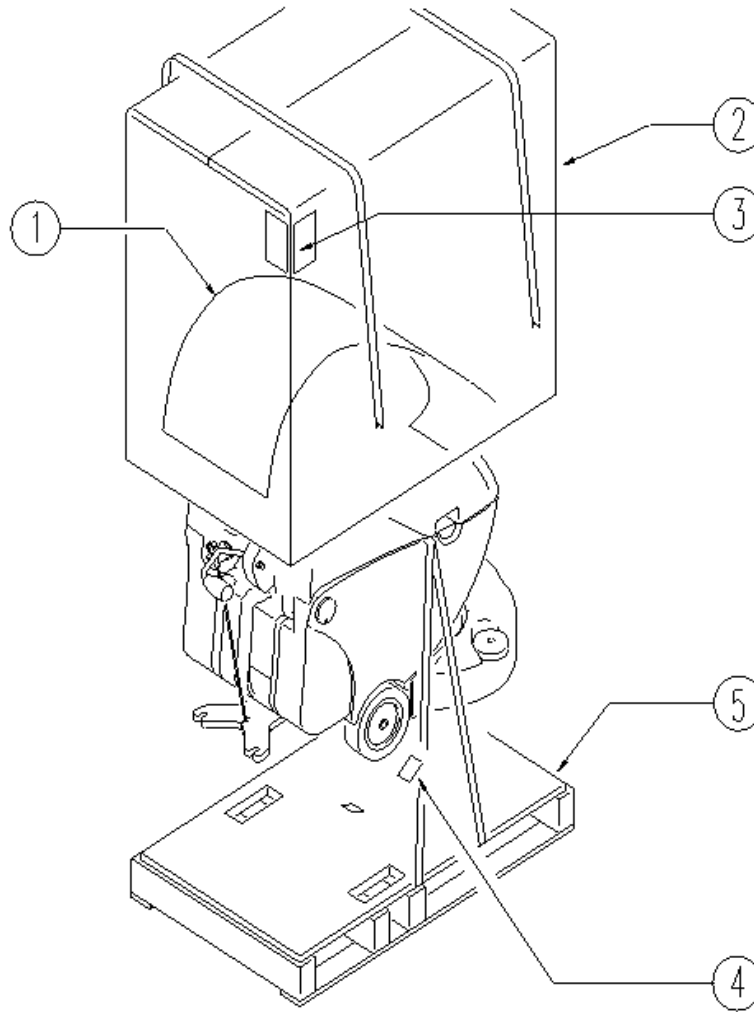
IPCGansow

Spare Parts List

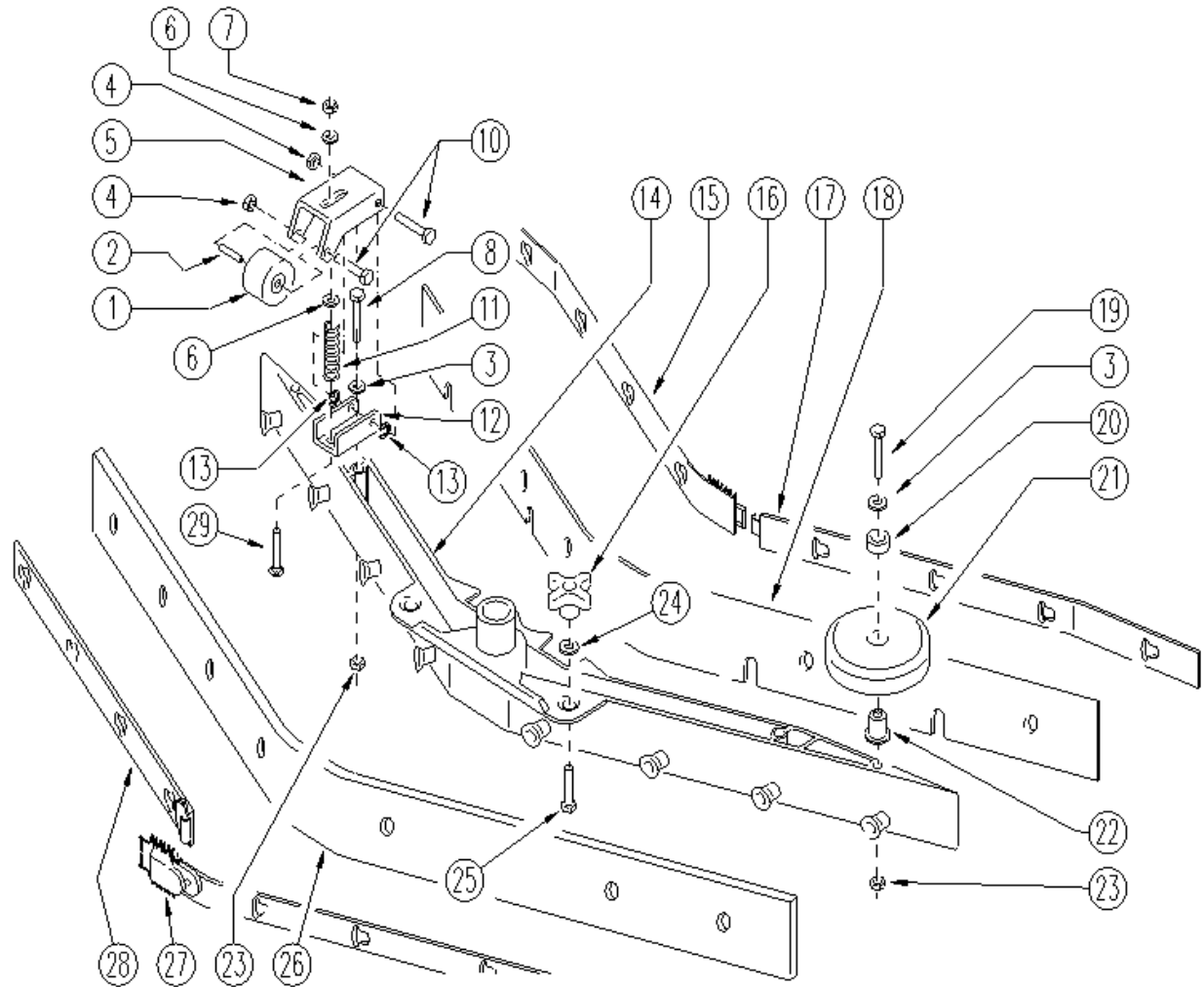
IPC . EAGLE

Ref: LPTB00291

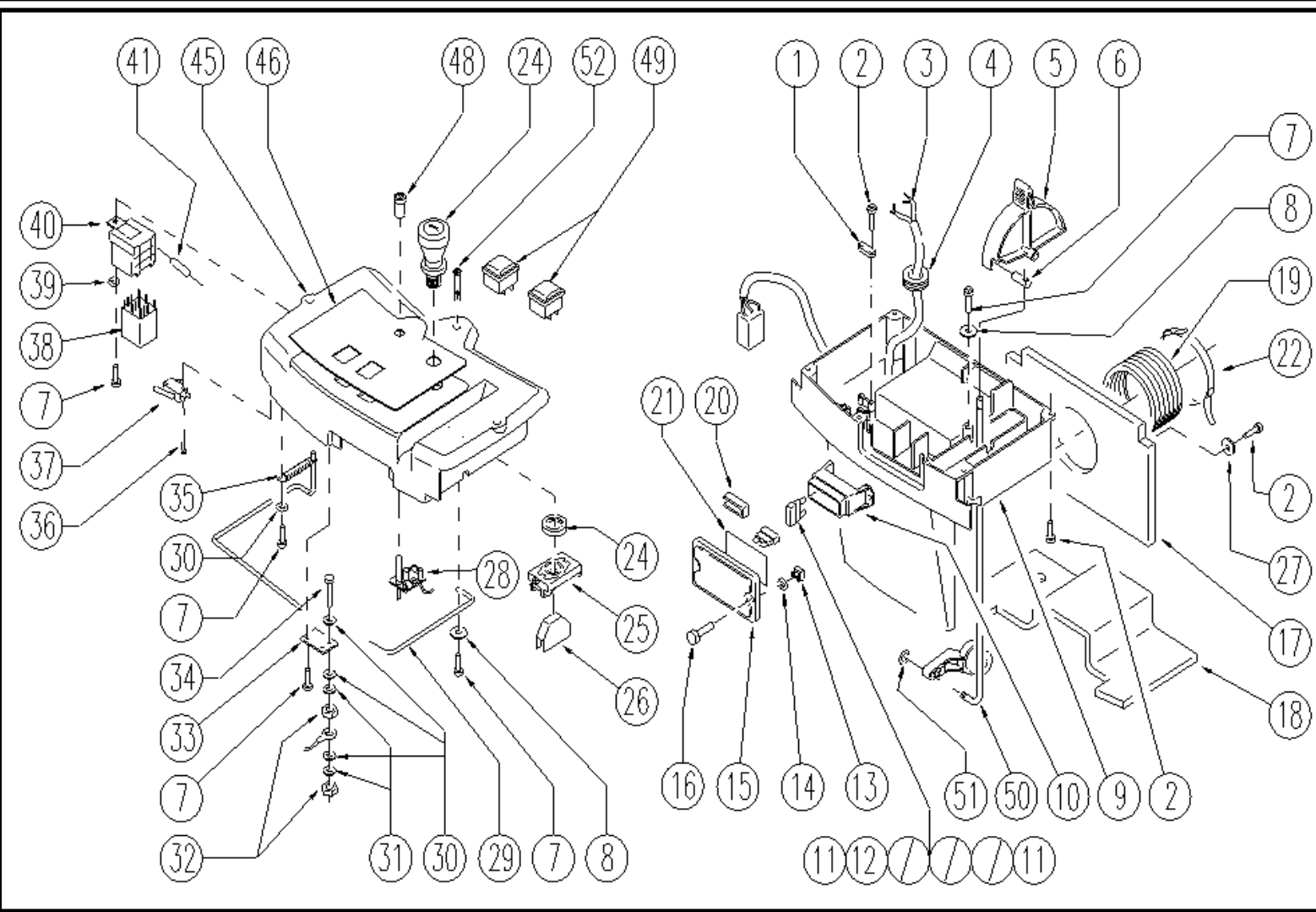
Model: WATCHMAN 20 sk1



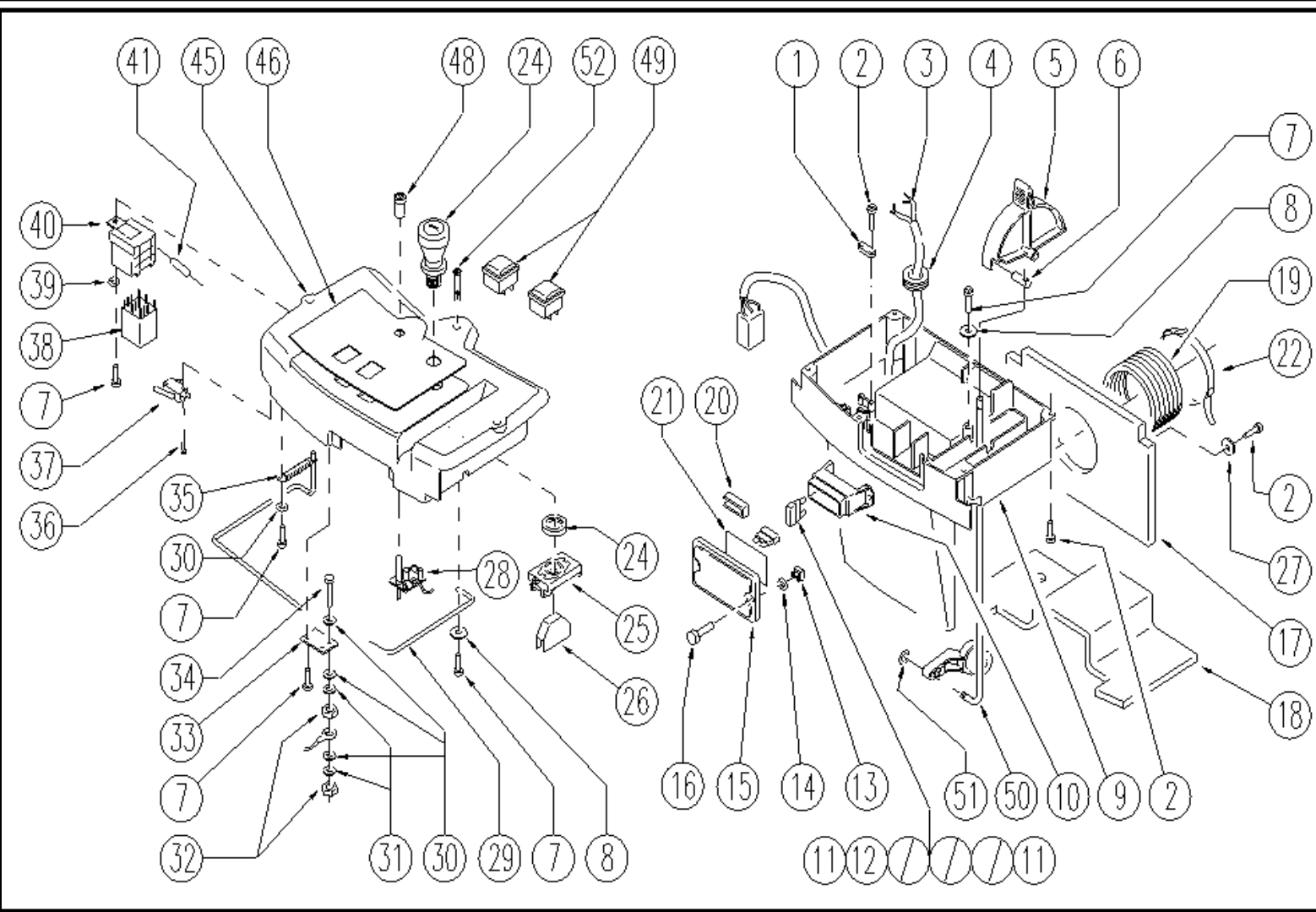
Ref. K	Part N.	Customer Part N.	Description	Qty	Validity:		Price
					From	To	
0001	MISC00006		SACK 1690X1400 POLIET.70MY	1,00	10/2002		--
0002	MICT00145		CARTON IMBALLO NEUTRO	1,00	10/2002		--
0003	ETET00959		LABEL IMBALLAGGIO	2,00			--
0004	MICT00118		CARTON PER RUOTE 450/530	4,00	10/2002		--
0005	MIBA00074		PALLET	1,00	10/2002		--



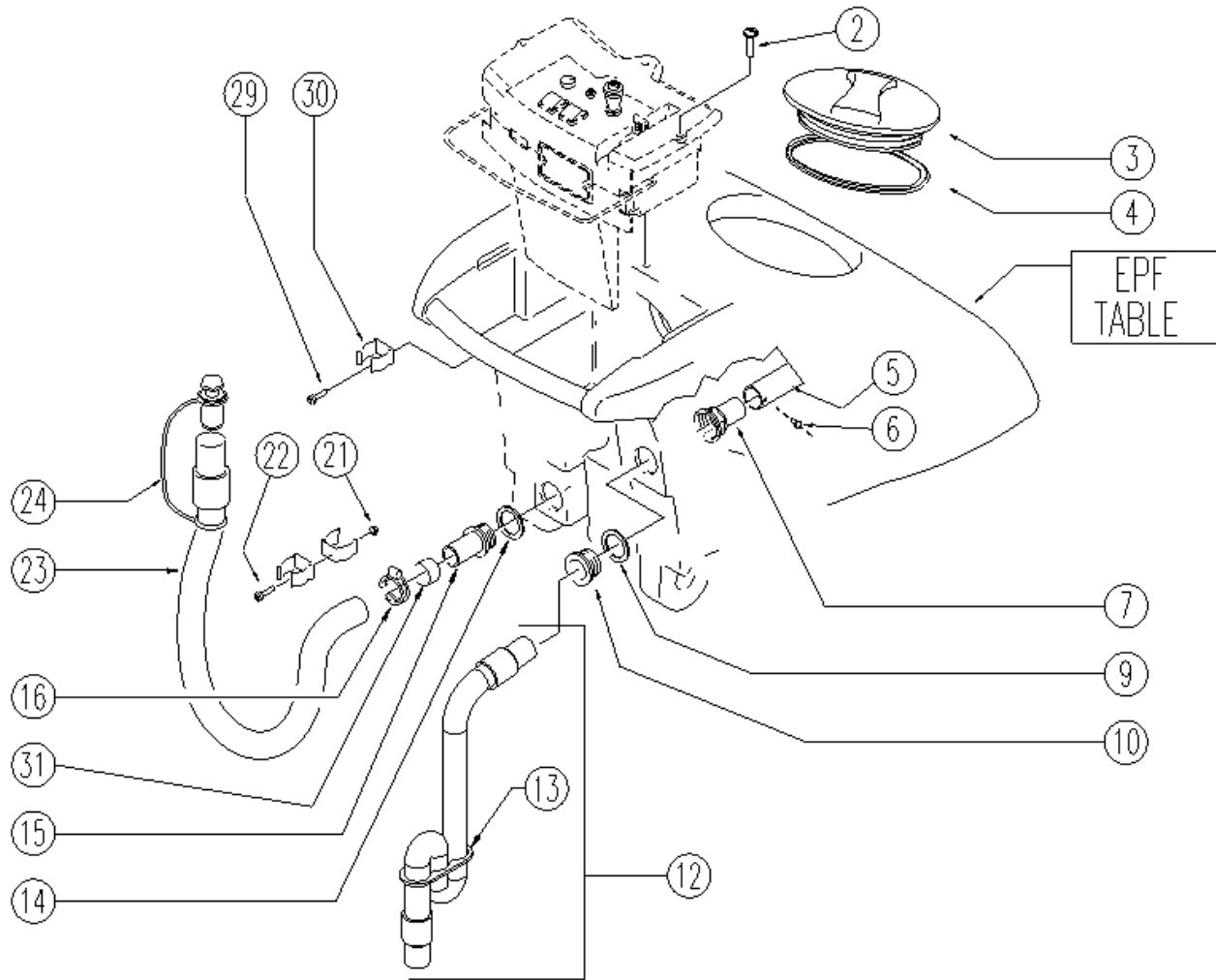
Ref. K	Part N.	Customer Part N.	Description	Qty	Validity:		Price
					From	To	
0001	RTRT49413		WHEEL D. 60-D.15 X36 NYL.	2,00	03/2004		--
0002	LAFN04041		SPACER D6/15	2,00	03/2004		--
0003	VTRS00245		WASHER D.6 UNI 6592 INOX	12,00	03/2004	05/2006	--
0003	VTRS15144		WASHER D. 6 INX GRW UNI 1751	4,00	05/2006		--
0004	VTDD01694		NUT M 6 INX	6,00	03/2004		--
0005	LAFN05559		SUPPORT RUOTINO	2,00	03/2004		--
0006	VTRS13947		WASHER D. 8 INX UNI 6592	4,00	03/2004		--
0007	VTDD01695		NUT M 8 INX	2,00	03/2004		--
0008	VTVT15142		SCREW TE M 6x45 INOX	2,00	03/2004		--
0009	VTRS15144		WASHER D. 6 INX GRW UNI 1751	4,00	03/2004	05/2006	--
0010	VTVT15143		SCREW TE 6X16 UNI5739	4,00	03/2004	05/2006	--
0010	VTVT15515		SCREW TE M 6X 50 INOX A2	4,00	05/2006		--
0011	MLML49422		SPRING D.15X 45 X1	2,00			--
0012	LAFN51069		BRACKET SUPP.RUOTINO SQUEEGEE	2,00			--
0013	VTAE45707		CIRCLIP D. 6 UNI 7434 INOX	4,00			--
0014	MFVR00141		BODY SQUEEGEE PRESSOFUSO	1,00	03/2004		--
0015	LAFN51045		LAMINATION BLOCCA LAMA ANTER.SX S	1,00	03/2004		--
0016	MPVR04164		HANDWHEEL M8 FILETTO PASSANTE	2,00	03/2004		--
0017	LAFN51044		LAMINATION BLOCCA LAMA ANTER.DX S	1,00	03/2004		--
0018	MPVR45194		RUBBER BLADE LAV. 800 ANT.	1,00	03/2004		--
0019	VTVT00655		SCREW TE M. 6-55	2,00			--
0020	MPVR49229		BUSHING SHK	2,00	03/2004		--
0021	RTRT43370		CASTER D.100 2V.	2,00	03/2004		--
0022	LAFN04100		SPACER PER RUOTINO PARACOLPI	2,00	03/2004		--
0023	VTDD15520		NUT M 6 A2 UNI 5588 INX	4,00	03/2004		--
0024	VTAE00074		CIRCLIP D8	2,00	03/2004		--
0025	VTVT01050		SCREW TE M 8X30 INX UNI 5737	2,00	06/2004		--
0026	MPVR45195		RUBBER BLADE LAV. 800 PST.POL.	1,00	03/2004		--
0027	LAFN49284		BLADE HOLDER POSTERIORE DX (S)	1,00	03/2004		--
0028	LAFN49285		BLADE HOLDER POSTERIORE SX (S)	1,00	03/2004		--
0029	VTVT01304		SCREW M 8X 40 TTQST UNI 5731	2,00	05/2006		--



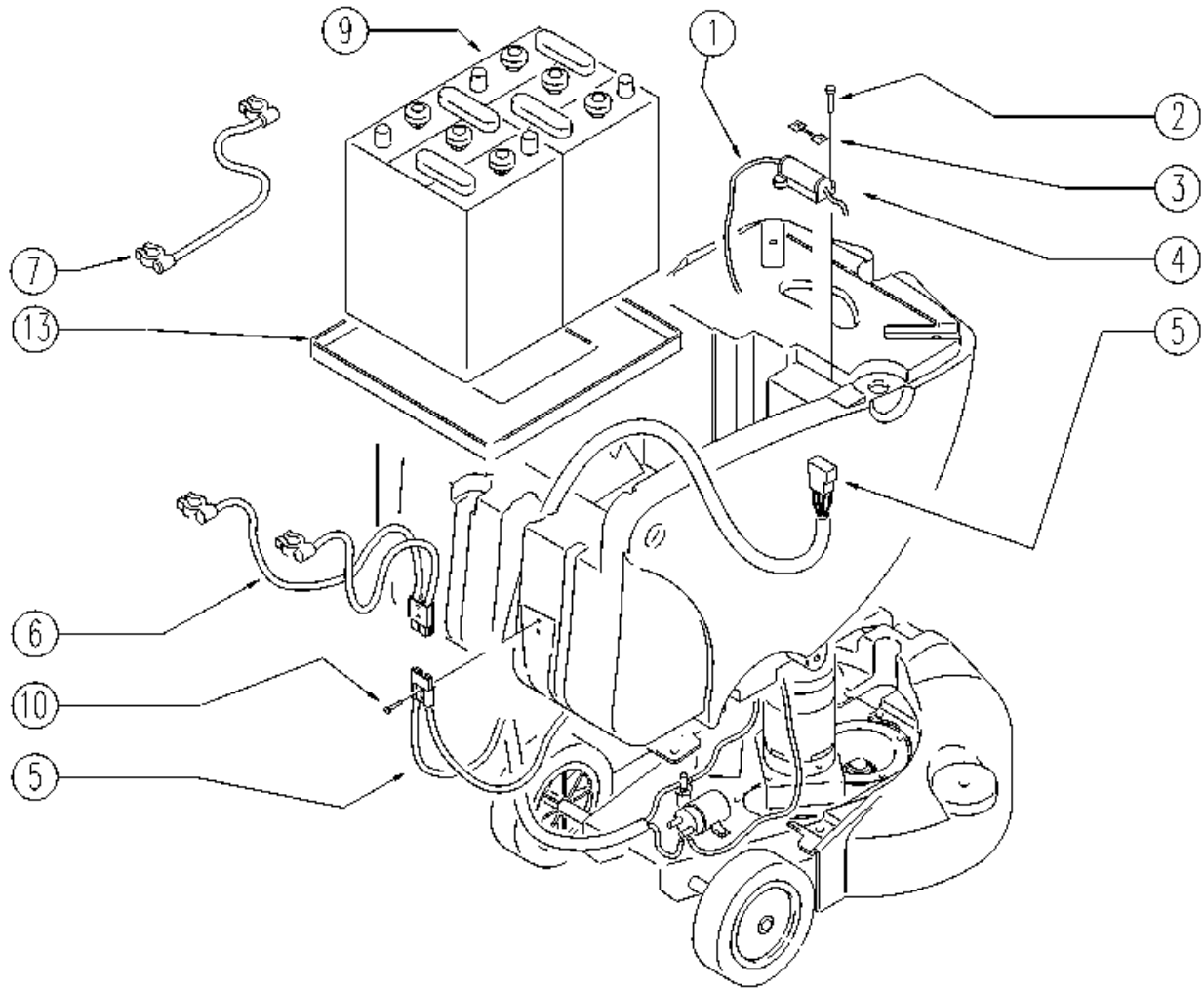
Ref. K	Part N.	Customer Part N.	Description	Qty	Validity:		Price
					From	To	
0001	LAFN05201		CABLE CLAMPING BLOCCACAVO	1,00	09/2004		--
0002	VTVT28553		SCREW TCB-TC 3.5X16	8,00	09/2004		--
0003	MECB00732		WIRING PANNELLO	1,00			--
0004	MEVR01331		FAIR-LEAD PVC	1,00	09/2004		--
0005	MPVR03845		LEVER REGOLAZ.	1,00	09/2004		--
0006	LAFN05103		ARTICULATION SUPERIORE	1,00	09/2004		--
0007	VTVT07859		SCREW TCB-TC 3.5X13 UNI6954	6,00	09/2004		--
0008	VTRS13750		WASHER D. 5X14 INX	2,00	09/2004		--
0009	MPVR03844		PANEL COMANDI	1,00			--
0010	MEVR01386		FUSE CARRIER LAMA 6 POSTI	1,00			--
0011	MEVR01136		FUSE 30A	3,00	09/2004		--
0012	MEVR01380		FUSE A LAMA	2,00	09/2004		--
0013	VTDD00167		NUT M.6	2,00	09/2004		--
0014	GUGO00150		NUT	2,00	09/2004		--
0015	MPVR35628		COVER LAV.	1,00	09/2004		--
0016	VTVT00858		SCREW	2,00	09/2004		--
0017	ITSO00031		SOUND-PROOFING PARETE POST. PANN.COM.SK	1,00	09/2004		--
0018	ITSO00032		SOUND-PROOFING PARETE INFER.PANN.COM.SK	1,00	09/2004		--
0019	TBBP00225		TUBE D 80-320 MM	1,00			--
0020	MEVR01153		FUSE FUSIBILI	1,00	09/2004		--
0021	ETET01352		LABEL FUSIBILI	1,00	09/2004		--
0022	FSVR00083		CLAMP 62-82	1,00			--
0024	MECI38446		BUTTON D.22 NC	1,00			--
0025	MEVR48426		TERMINAL BOARD P.FG.	1,00	09/2004		--
0026	MECI48425		CONTACT 1NC	2,00	09/2004		--
0027	VTRS00291		WASHER D. 5 X20 ZC UNI 6593	2,00	09/2004		--
0028	MECE30652		PCB LAV.FL.	1,00	09/2004		--
0029	LAFN05089		LEVER CONSENSO SPAZZOLE/TRAZ.	1,00	09/2004		--
0030	VTRS00516		WASHER D. 5 INX	5,00	09/2004		--
0031	VTRS15908		WASHER D. 5 INX GRW UNI 1751	2,00	09/2004		--
0032	VTDD07727		NUT M 5 INOX	2,00	09/2004		--
0033	MPVR02820		SUPPORT PIASTRINA BLOCCO LEVA	1,00	09/2004		--
0034	VTVT00766		SCREW TE M. 5-25	1,00	09/2004		--
0035	MLML00215		SPRING LEVA CONSENSO SPAZZOLE	1,00	09/2004		--
0036	VTVT00744		SCREW	2,00	09/2004		--
0037	MECI00310		MICROSWITCH	1,00	09/2004		--
0038	MERL45196		SWITCH RELAY F7 IN/O 12V 70A	1,00	09/2004		--
0039	VTRS00501		WASHER D. 4 0.232 UNI 6592	1,00	09/2004		--
0040	METT00053		BLOCK PORTA RELE'	1,00	09/2004		--



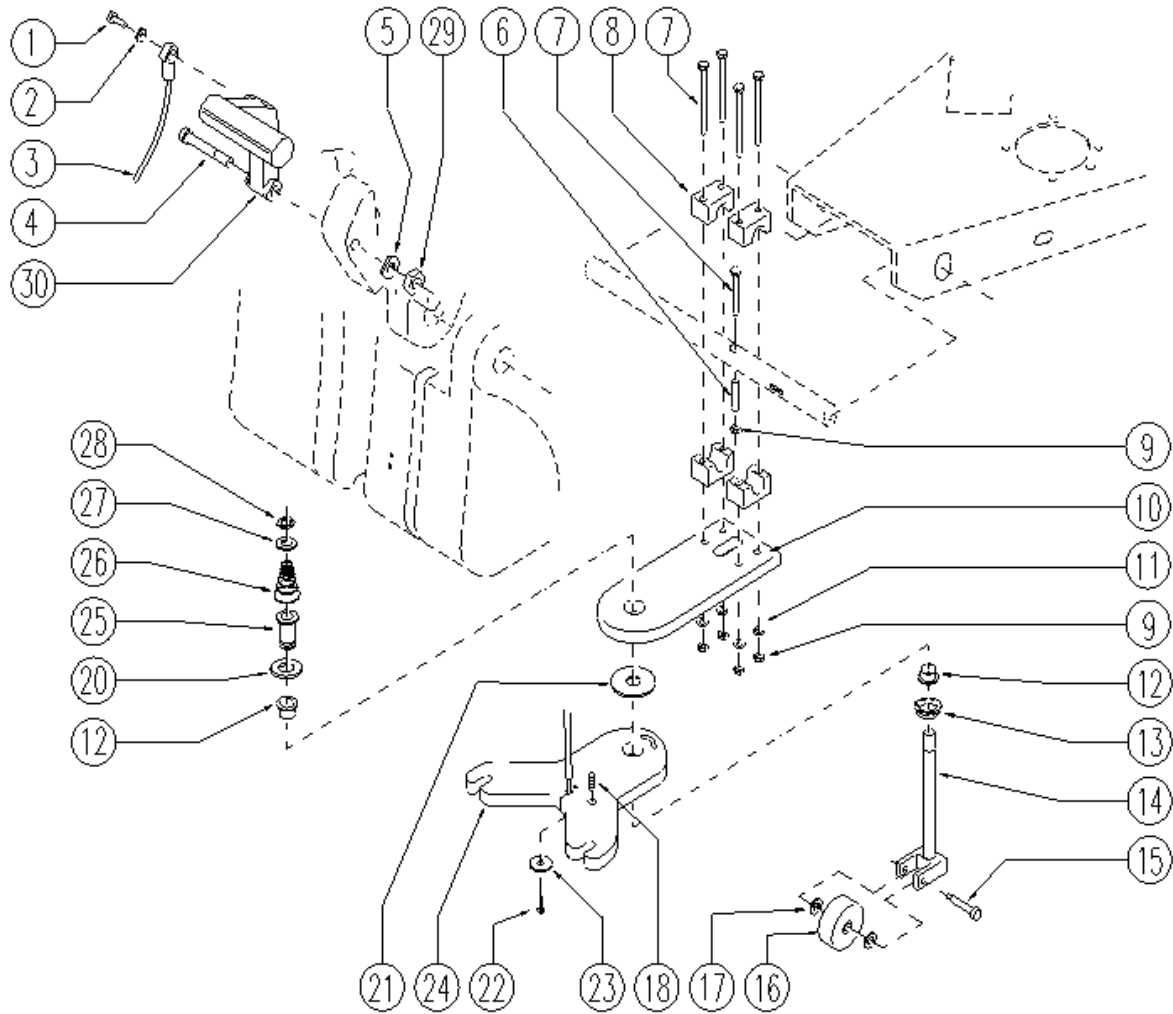
Ref. K	Part N.	Customer Part N.	Description	Qty	Validity:		Price
					From	To	
0041	MECE00341		RESISTANCE 68R	1,00	09/2004		--
0045	MPVR03840		PANEL COMANDI	1,00	09/2004		--
0046	ETET01314		LABEL PANNELLO COMANDI	1,00	09/2004		--
0048	MELF00013		OIL WARN-LIGHT x SPIA SCARICA BATTERIE	1,00	09/2004		--
0049	MECI30651		SWITCH GIALLO 36V	2,00	09/2004		--
0050	LAFN05758		ROD SUPERIORE RUBINETTO	1,00			--
0051	VTAE00058		CIRCLIP RADIALE ALBERI D5 INOX	1,00			--
0052	MPVR02940		KLIP D. 6,5 L=15	1,00			--



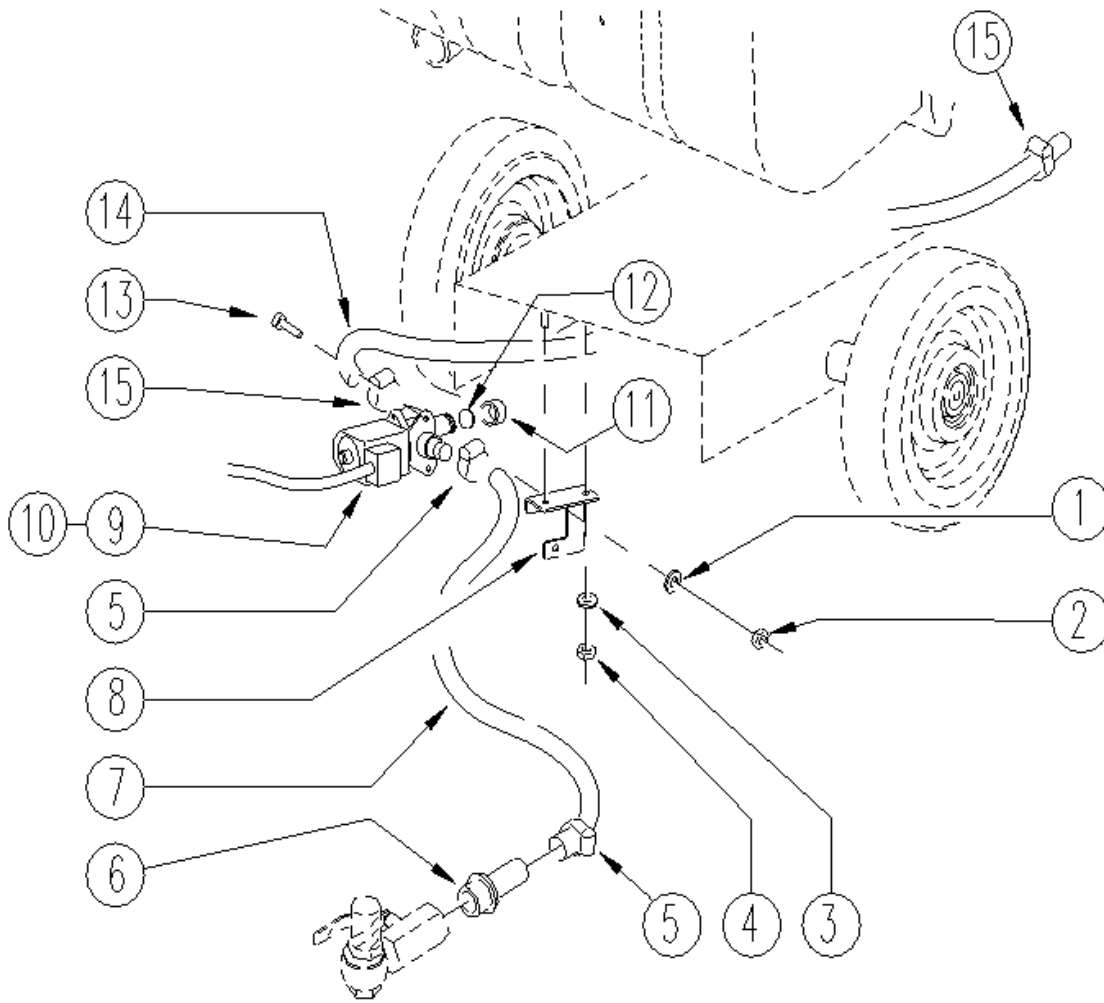
Ref. K	Part N.	Customer Part N.	Description	Qty	Validity:		Price
					From	To	
0002	VTVT00858		SCREW	2,00			--
0003	MPVR04051		TANK CAP	1,00			--
0004	GUGO00263		GASKET CIRCOLARE TAPPO	1,00			--
0005	MPVR02873		TUBE INT.SERBAT.RECUP.	1,00			--
0006	VTVT00881		SCREW TC+ M4x6 TRILOBATA INOX	1,00			--
0007	RCVR00504		CONNECTOR DRITTO FEMM.	1,00			--
0009	GUGO00216		GASKET ACQUA SPORCA	1,00			--
0010	RCVR00508		PIPE UNION DI SCARICO	1,00			--
0012	PMVR01043		TUBE ASPIRAZIONE	1,00			--
0013	MPVR02730		PLATE SIFONE	1,00			--
0014	GUGO00226		GASKET 1"1/4	1,00			--
0015	RCVR00505		CONNECTOR DRITTO	1,00			--
0016	FSVR43136		CLAMP D. 35-40 DF.	1,00			--
0021	VTDD00147		NUT M 4 INX U.5588	2,00			--
0022	VTVT21096		SCREW TE M 4X 10 INX	2,00			--
0023	TBFX49465		TUBE FLEX D.34 CPL.SHK SC.	1,00			--
0024	MPVR05064		CAP COMPLETO	1,00			--
0029	VTVT48694		SCREW TCB TC 5 X12 UNI 9707 TZ	2,00			--
0030	MPVR46988		CLIP LAV. SHK	3,00			--
0031	MPVR02765		PROTECTION INNESTO FISSAGGIO	1,00			--



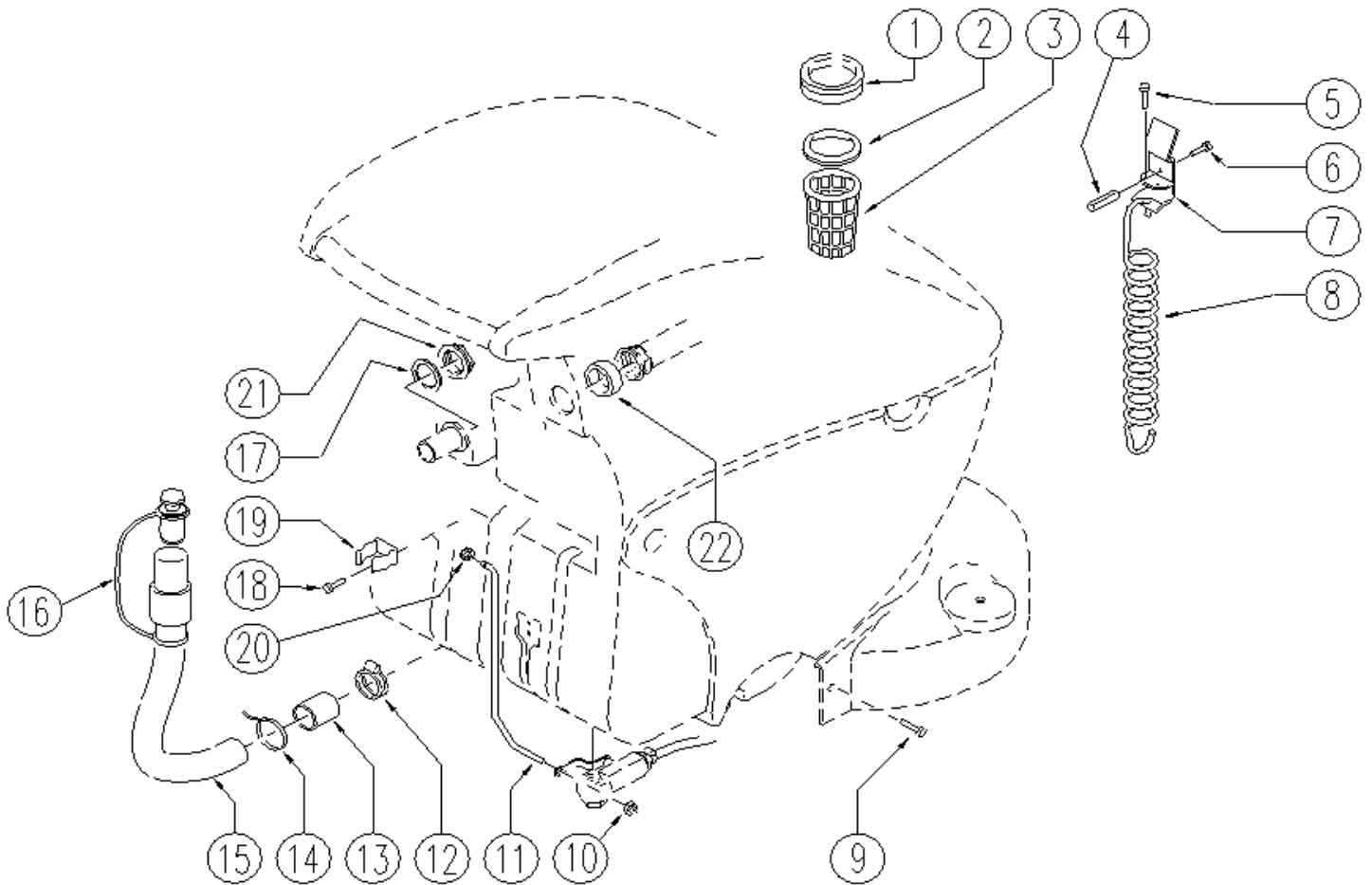
Ref. K	Part N.	Customer Part N.	Description	Qty	Validity:		Price
					From	To	
0001	MECB00728		WIRING FUSIBILE	1,00	10/2002	--	--
0002	VTVT00800		SCREW TC 4X12 ZN	2,00	10/2002	--	--
0003	MEVR42990		FUSE 60A NST.	1,00	10/2002	--	--
0004	MEVR01332		FUSE-HOLDER	1,00	10/2002	--	--
0005	MECB00727		WIRING PRINCIPALE	1,00	10/2002	--	--
0006	MECB00726		WIRING BATTERIE	1,00	10/2002	--	--
0007	MEVR34820		WIRING B 450 BT	1,00	10/2002	--	--
0009	BAAC00070		BATTERY TUBOL.12V 118	2,00		--	--
0010	VTVT00633		SCREW	2,00	10/2002	--	--
0013	PMVR00881		PLATE	1,00	10/2002	--	--



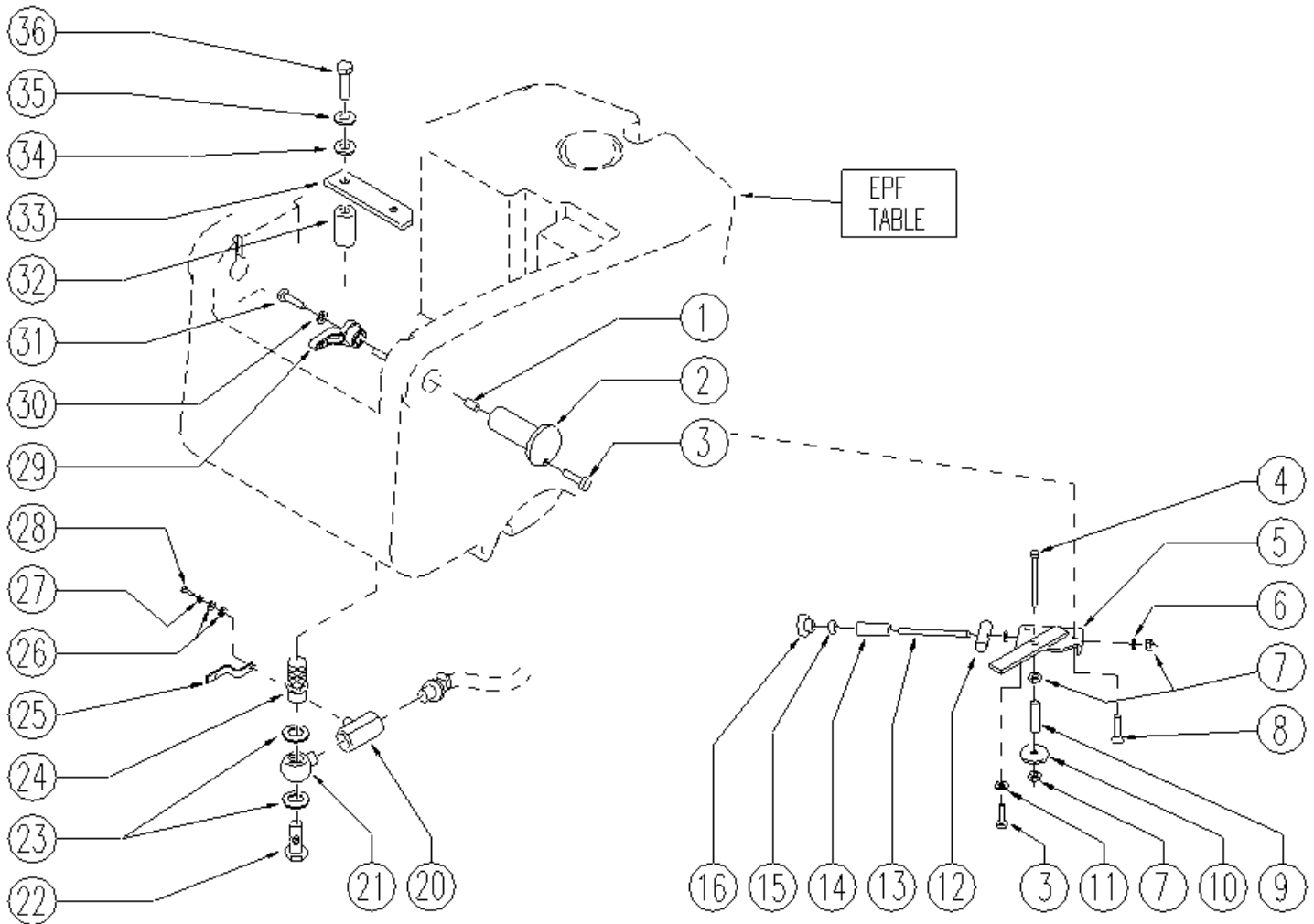
Ref. K	Part N.	Customer Part N.	Description	Qty	Validity:		Price
					From	To	
0001	VTVT00800		SCREW TC 4X12 ZN	1,00	10/2002		--
0002	VTRS00251		WASHER 4-16 INOX A2	1,00	10/2002		--
0003	CMCV49937		CORD D. 2.5 SHK	1,00	10/2002		--
0004	VTVT00882		SCREW TCEI BASSA M10x80 8.8 ZN	1,00	10/2002		--
0005	VTRS00236		WASHER D.10 UNI 6592 ZINC. PIANA	1,00	10/2002		--
0006	LAFN31096		WHEEL SPACER FL	1,00	10/2002		--
0007	VTVT00859		SCREW TCEI M. 6-55 INOX	5,00	10/2002		--
0008	MPVR02903		HOSE COLLAR DI= 20.8 ART.C4	4,00	10/2002		--
0009	VTDD00157		NUT M. 6 DIN 985 ZN	5,00			--
0010	LAFN05557		SUPPORT SQUEEGEE	1,00	10/2002		--
0011	VTRS00231		WASHER D. 6 UNI 6592 PIANA ZINC.	4,00	10/2002		--
0012	CUVR44348		BUSHING CB 85 2010 31T	2,00	10/2002		--
0013	LAFN44349		RING NUT M20X1 ABL	1,00			--
0014	LAFN05702		SUPPORT RUOTINO ANTIRIBALTAMENTO	1,00	10/2002		--
0015	LAFN04165		PIN RUOTINO ANTIRIB. INOX	1,00	04/2003		--
0016	RTRT00283		SMALL WHEEL GR.HS	1,00	10/2002		--
0017	VTRS13946		WASHER D. 8 X24 INX UNI 6593	2,00	10/2002		--
0018	VTVT01200		GRUB SCREW M8 X 16 INOX	1,00	04/2004		--
0020	VTRS00019		WASHER UNI 6592 FORO 20 INOX	1,00	03/2004		--
0021	VTRS00308		WASHER NYLON 21x50xSP3 MM	1,00	05/2004		--
0022	VTVT00813		SCREW M 4X 8 TCB-TC UNI 8112	1,00	10/2002		--
0023	VTRS00291		WASHER D. 5 X20 ZC UNI 6593	1,00	10/2002		--
0024	LAFN05544		PLATE SQUEEGEE	1,00	10/2002		--
0025	LAFN44530		PIN SHK SQ.	1,00	10/2002		--
0026	MLML44531		SPRING D.16 -33 X50 RT.	1,00	10/2002		--
0027	VTRS00312		WASHER D.13 x24 INOX	1,00	10/2002		--
0028	VTAE00051		CIRCLIP X ALBERO D. 12 U7435 INX	1,00	10/2002		--
0029	VTDD00042		NUT AUT.M10 UNI7474	1,00	10/2002		--
0030	MPVR49942		LEVER SHK PP	1,00	10/2002		--



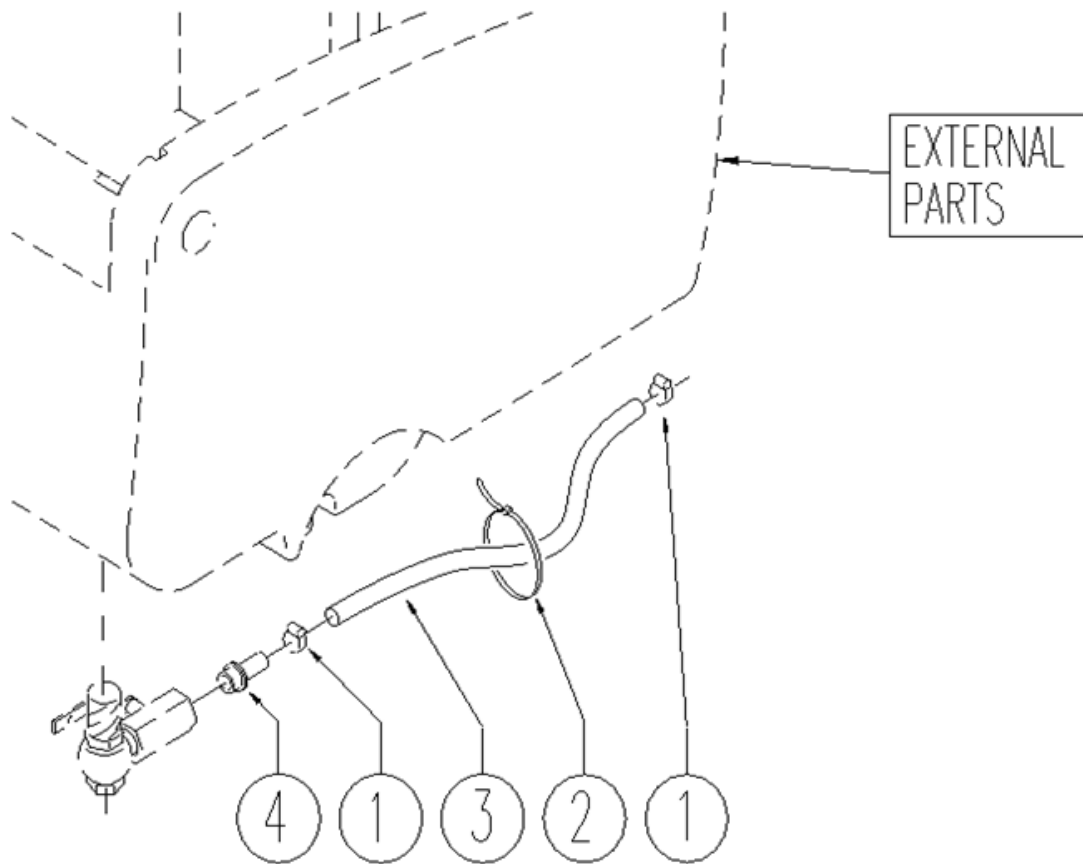
Ref. K	Part N.	Customer Part N.	Description	Qty	Validity:		Price
					From	To	
0001	VTRS00515		WASHER D. 4 INX	2,00	12/2002		--
0002	VTDD15925		NUT M 4 INX	2,00			--
0003	VTRS00516		WASHER D. 5 INX	2,00	12/2002		--
0004	VTDD01693		NUT M 5 INX	2,00	12/2002		--
0005	FSVR00096		CLAMP 10-16 INOX	2,00	03/2003		--
0006	RCVR00536		CONNECTOR PORTAG.	1,00			--
0007	TBFX49101		TUBE FLEX D.34 CPL.SHK	1,00			--
0008	LAFN05658		BRACKET SUPPORTO ELETTRORVALVOLA	1,00	12/2002		--
0009	MEEV00018		SOLENOID VALVE	1,00	12/2002		--
0010	MECB00887		WIRING KIT ELETTRORVALVOLA 24V	1,00			--
0011	RCVR00353		CAP 1/2"G X ELETTROR. ACL	1,00	03/2003		--
0012	GUGO00268		GASKET D.21 SP.3 GOMMA	1,00	03/2003		--
0013	VTVT00817		SCREW TE M4x12 UNI 5739 INOX	2,00			--
0014	TBBP00344		TUBE D12/18 L=670	1,00			--
0015	FSVR00091		CLAMP 14-24	2,00			--



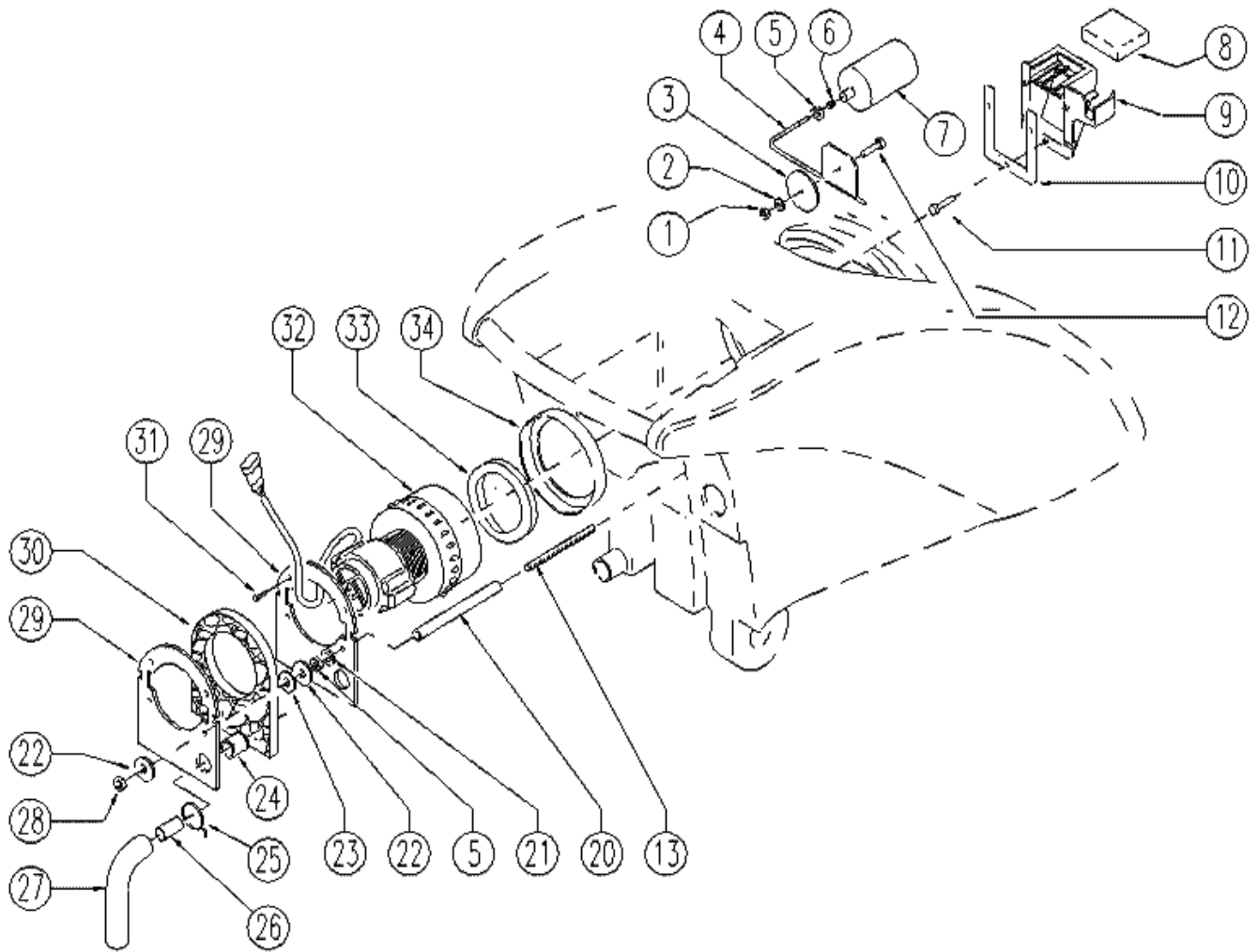
Ref. K	Part N.	Customer Part N.	Description	Qty	Validity:		Price
					From	To	
0001	GUVR48859		GASKET SHK	1,00	10/2002		--
0002	GUVR48858		GASKET SRB.SHK	1,00	10/2002		--
0003	FTAC48857		FILTER ASP. ACQUA SERB. LAVAP.	1,00	10/2002		--
0004	LAFN03955		COLUMN ESAGONALE	1,00	10/2002		--
0005	VTVT00751		SCREW	2,00	10/2002		--
0006	VTVT00787		SCREW TBEI M 6-16	1,00	10/2002		--
0007	LAFN05121		HOOK SERBATOI	1,00	10/2002		--
0008	MLML00205		SPRING TESTATA	1,00	10/2002		--
0009	VTVT21887		SCREW TCB-TC 4X10 8112	2,00	05/2004		--
0010	VTDD15518		NUT M 6 INX	1,00	10/2002		--
0011	LAFN05759		ROD INFERIORE RUBINETTO	1,00	02/2003		--
0012	FSVR43136		CLAMP D. 35-40 DF.	1,00	10/2002		--
0013	MPVR02777		PROTECTION TUBO SCARICO	1,00			--
0014	FSVR00086		CLAMP	1,00	10/2002		--
0015	TBFX00208		TUBE DI SCARICO	1,00	10/2002		--
0016	MPVR05064		CAP COMPLETO	1,00			--
0017	GUGO00226		GASKET 1"1/4	2,00			--
0018	VTVT48694		SCREW TCB TC 5 X12 UNI 9707 TZ	2,00	10/2002		--
0019	MPVR46988		CLIP LAV. SHK	1,00	10/2002		--
0020	VTAE00058		CIRCLIP RADIALE ALBERI D5 INOX	1,00	10/2002		--
0021	LAFN03588		RING NUT 1" 1/4	1,00			--
0022	MPVR02888		SPACER	1,00			--



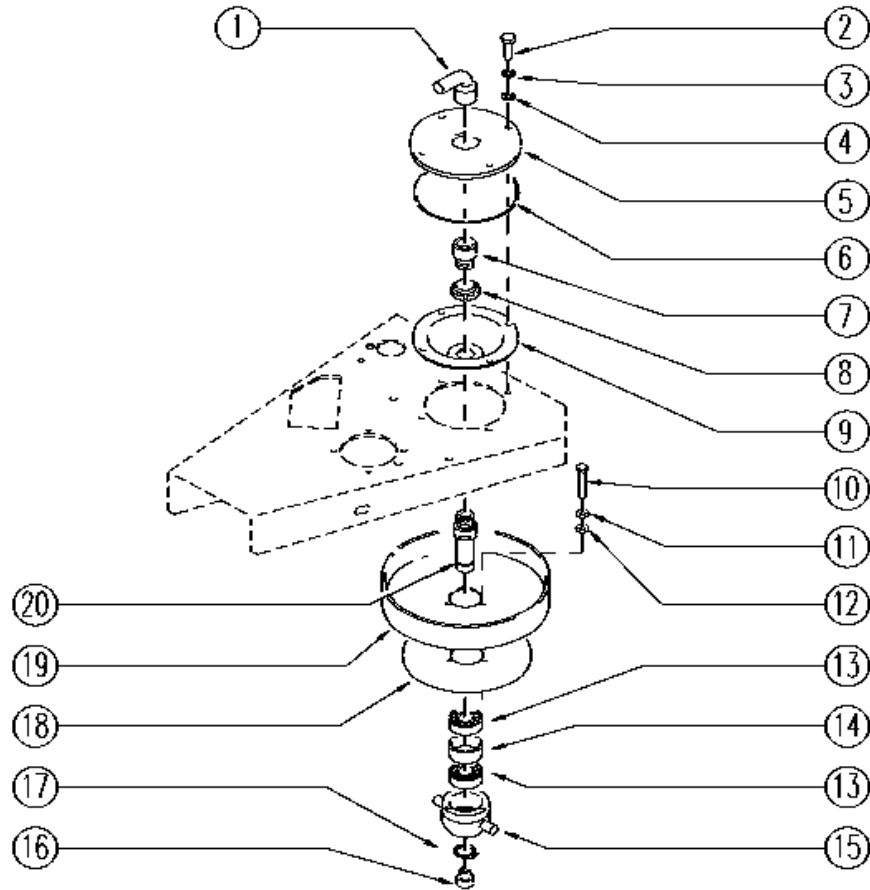
Ref.	K	Part N.	Customer Part N.	Description	Qty	Validity:		Price
						From	To	
0001		VTVR48693		INSERT M6 D.9	2,00	10/2002	--	--
0002		MPVR48695		PIN SHK.BK	2,00	10/2002	--	--
0003		VTVT48694		SCREW TCB TC 5 X12 UNI 9707 TZ	5,00	10/2002	--	--
0004		VTVT37014		SCREW TE M 6X 90 UNI 5739	1,00	10/2002	--	--
0005		LAFN05743		SUPPORT GRUPPO REGOLAZIONE	1,00	10/2002	--	--
0006		VTRS00245		WASHER D.6 UNI 6592 INOX	2,00	10/2002	--	--
0007		VTDD15518		NUT M 6 INX	3,00	10/2002	--	--
0008		VTVT00853		SCREW TSPC+ 4-16 X PLAST.	1,00	10/2002	--	--
0009		LAFN04068		SPACER (OTTONE)	1,00	10/2002	--	--
0010		VTRS00278		WASHER D.8X32 ZINC.BIANCA 6593	1,00	10/2002	--	--
0011		VTRS13750		WASHER D. 5X14 INX	1,00	10/2002	--	--
0012		LAFN03894		BLOCK GRUPPO REGOLAZIONE	1,00	10/2002	--	--
0013		VTVR00204		BAR FILETTATA M.8 L=247MM	1,00	10/2002	--	--
0014		LAFN04021		SPACER 12-8,5 L=70	1,00	10/2002	--	--
0015		VTDD15521		NUT M 8 INX A2 UNI 5588	1,00	10/2002	--	--
0016		VTVR35378		HANDWHEEL F 8MAX20 D.40	1,00	10/2002	--	--
0020		RCGR00065		TAP F/F 1/2"	1,00	01/2005	--	--
0021		RCDS49622		CONNECTOR OCC 1/2 - 1/2M	1,00	01/2005	--	--
0022		RCDS49623		SCREW G 1/2 L=41.5	1,00	10/2002	--	--
0023		GUVR00213		WASHER GOMMA	2,00	10/2002	--	--
0024		FTAC00036		FILTER IN RETE	1,00	10/2002	--	--
0025		LAFN47895		LEVER SHK-4	1,00	01/2005	--	--
0026		VTRS13947		WASHER D. 8 INX UNI 6592	2,00	01/2005	--	--
0027		VTRS00251		WASHER 4-16 INOX A2	1,00	01/2005	--	--
0028		VTVT00834		SCREW TC+ M.3-6	1,00	10/2002	--	--
0029		MPVR49471		LEVER SHK	1,00	10/2002	--	--
0030		VTRS00239		WASHER D.6-18	3,00	--	--	--
0031		VTVT15143		SCREW TE 6X16 UNI5739	2,00	10/2002	--	--
0032		MPVR02884		SPACER NYLON BIANCO	2,00	10/2002	--	--
0033		LAFN05630		BRACKET BLOCCA SERBATOIO	1,00	10/2002	--	--
0034		VTRS13946		WASHER D. 8 X24 INX UNI 6593	2,00	10/2002	--	--
0035		VTRS01080		WASHER D. 8 GRW	2,00	10/2002	--	--
0036		VTVT15917		SCREW TE M 8X50 INOX A2 UNI	2,00	02/2003	--	--



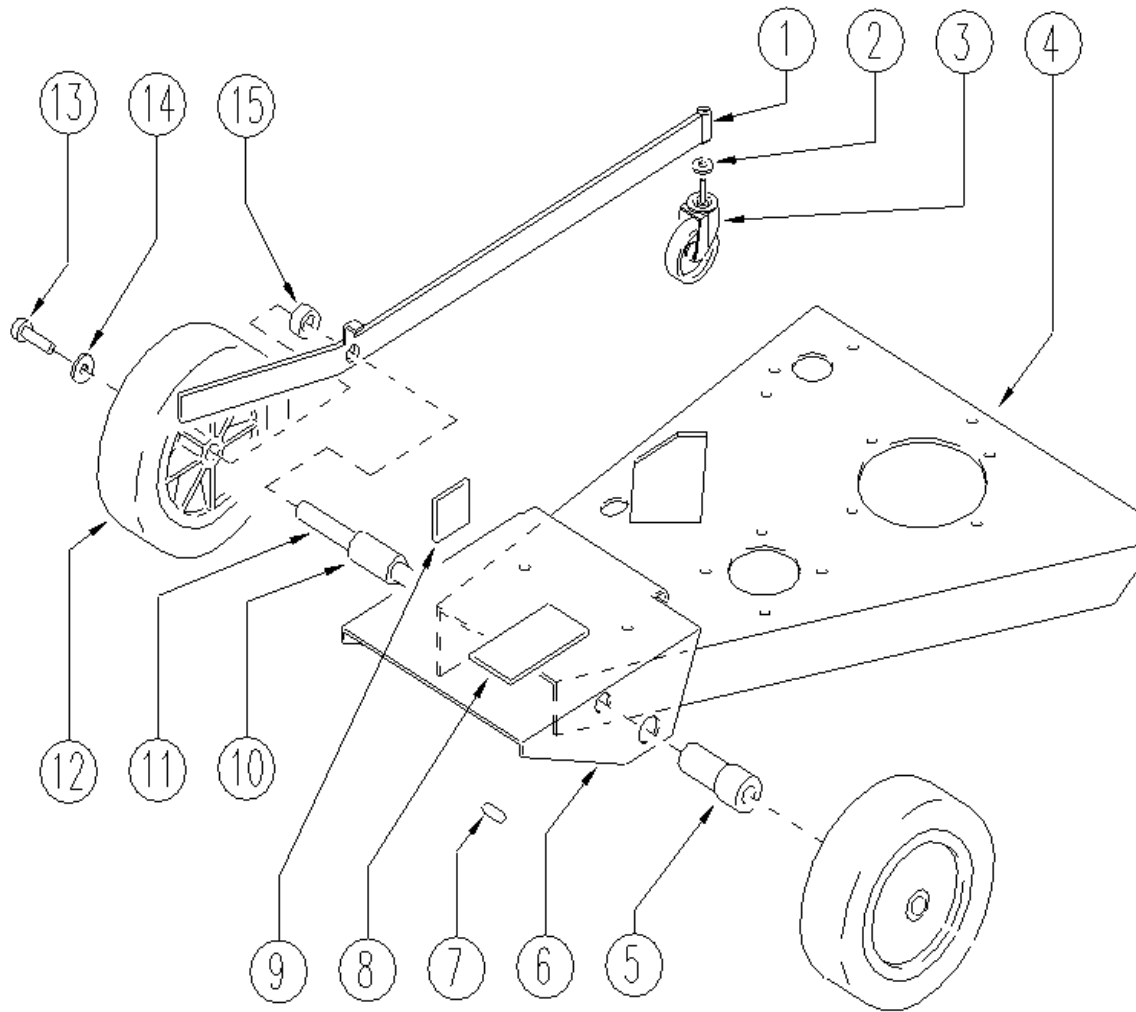
Ref. K	Part N.	Customer Part N.	Description	Qty	Validity:		Price
					From	To	
0001	FSVR00096		CLAMP 10-16 INOX	2,00	03/2004		--
0002	FSVR00097		CLAMP PLASTICA M	1,00	03/2004		--
0003	TBBP00354		TUBE ARMORVIN	1,00			--
0004	RCVR00536		CONNECTOR PORTAG.	1,00	03/2004		--



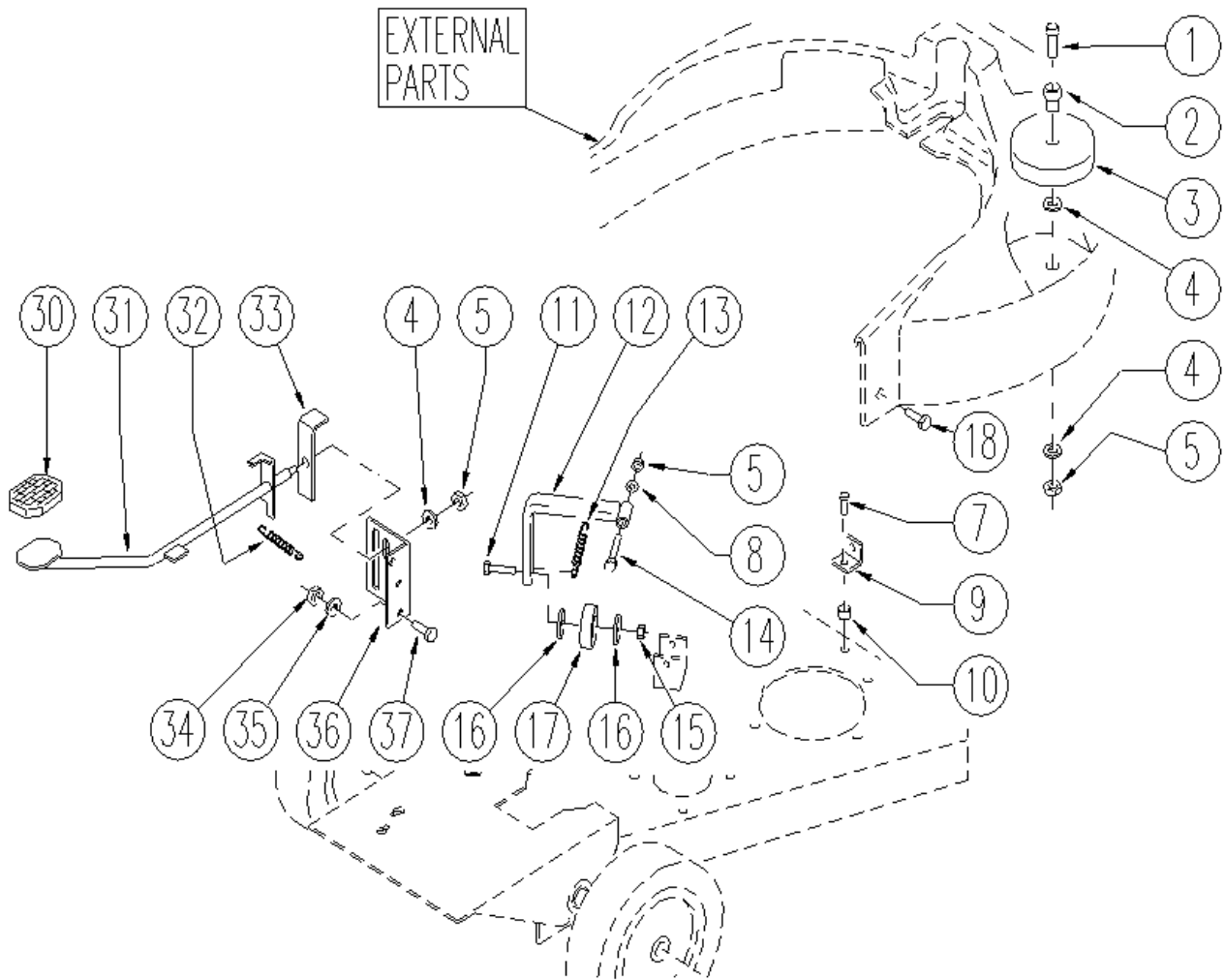
Ref. K	Part N.	Customer Part N.	Description	Qty	Validity:		Price
					From	To	
0001	VTDD01693		NUT M 5 INX	1,00	04/2004	--	--
0002	VTRS13750		WASHER D. 5X14 INX	1,00	04/2004	--	--
0003	MPVR02702		CAP ASPIRAZIONE	1,00	04/2004	--	--
0004	LAFN05118		ROD GALLEGGIANTE	1,00	04/2004	--	--
0005	VTDD15520		NUT M 6 A2 UNI 5588 INX	3,00	04/2004	--	--
0006	VTVR00212		INSERT	1,00	04/2004	--	--
0007	RCGR00064		FLOATER	1,00	04/2004	--	--
0008	FTAC47474		FILTER SHK	1,00	04/2004	--	--
0009	MPVR03846		SUPPORT GALLEGGIANTE	1,00	04/2004	--	--
0010	GUGO00221		GASKET SUPPORTO GALLEGGIANTE	1,00	04/2004	--	--
0011	VTVT00835		SCREW	3,00	04/2004	--	--
0012	VTVT00805		SCREW TBEI M. 5-10	1,00	04/2004	--	--
0013	VTVT00785		ROD FILETTO	2,00	04/2004	--	--
0020	LAFN51078		SPACER SH	2,00	04/2004	--	--
0021	VTRS13945		WASHER D. 6X18 INX UNI 6593	2,00	04/2004	--	--
0022	VTRS16937		WASHER 6x24 INOX UNI 6593	4,00	04/2004	--	--
0023	MPVR35582		RUBBER LAV.	2,00	04/2004	--	--
0024	MPVR31077		BUSHING L.450	1,00	04/2004	--	--
0025	FSVR00086		CLAMP	1,00	04/2004	--	--
0026	TBFX00217		TUBE	1,00	04/2004	--	--
0027	ITSO00036		SOUND-PROOFING SCARICO ASP.SHARK/PANTHER	1,00	04/2004	--	--
0028	VTDD15518		NUT M 6 INX	2,00	04/2004	--	--
0029	LAFN51076		FLANGE INSONORIZZ.ASPIRATORE	2,00	04/2004	--	--
0030	ITSO00035		SOUND-PROOFING SHARK/PANTHER	1,00	04/2004	--	--
0031	VTVT00892		SCREW	4,00	04/2004	--	--
0032	MOCC00253		MOTOR ASPIR.BIST.24V	1,00	04/2004	--	--
0033	GUVR48858		GASKET SRB.SHK	1,00	04/2004	--	--
0034	GUGO30649		GASKET LAV.DW.	1,00	04/2004	--	--



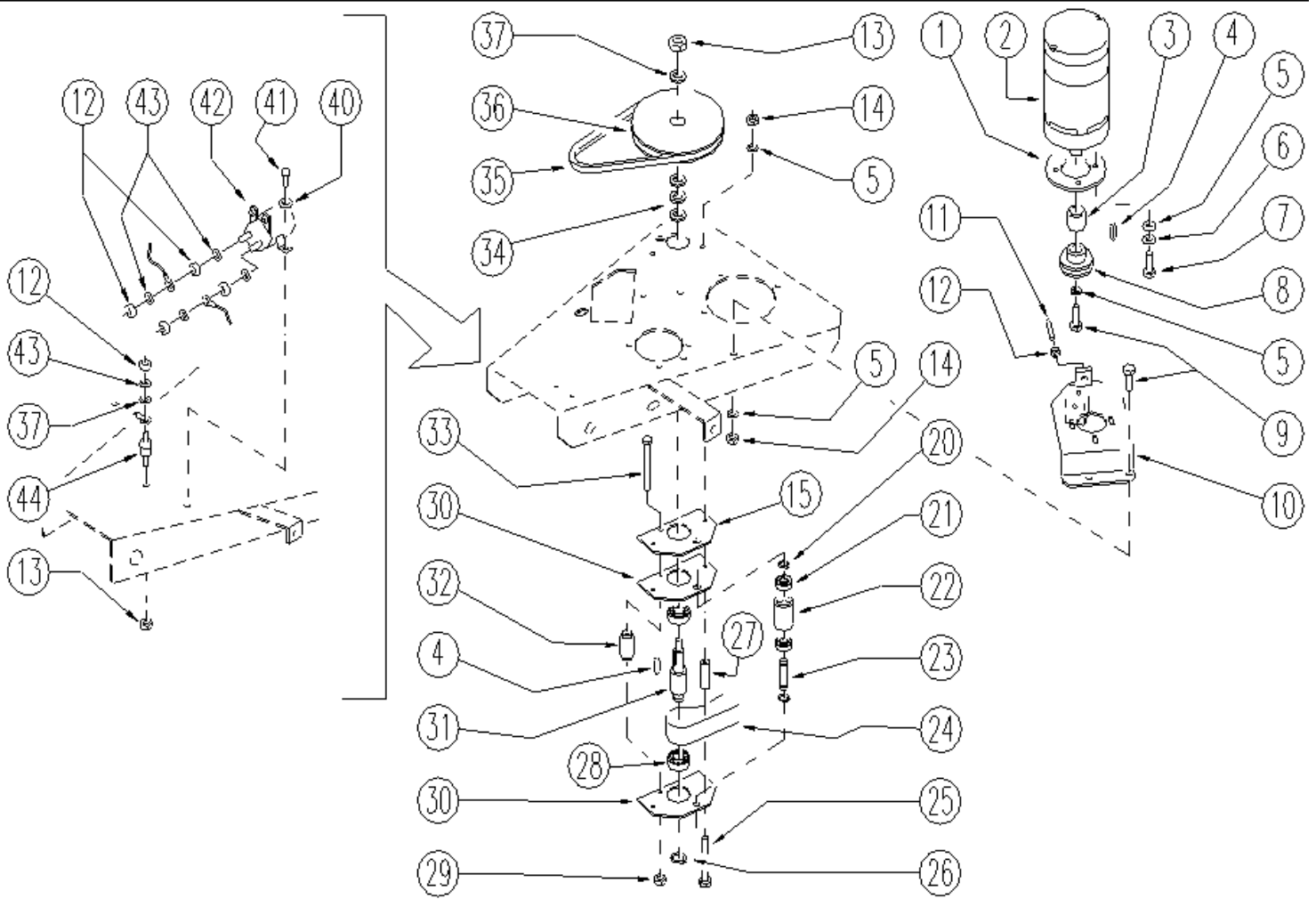
Ref. K	Part N.	Customer Part N.	Description	Qty	Validity:		Price
					From	To	
0001	RCVR45752		HOSE FITTING "L" 3/8M - D.10 PLS.	1,00			--
0002	VTVT13938		SCREW TE 8X20 UNI5739 INX	4,00			--
0003	VTRS00269		WASHER D. 8 DIN 6798-A INX A2	4,00			--
0004	VTRS13947		WASHER D. 8 INX UNI 6592	4,00			--
0008	LAFN36319		RING NUT M25X1.5-10.3	1,00			--
0009	LAFN35745		FLANGE LAV.	1,00			--
0010	VTVT15143		SCREW TE 6X16 UNI5739	3,00			--
0011	VTRS00246		WASHER D. 6	3,00			--
0012	VTRS00245		WASHER D.6 UNI 6592 INOX	3,00			--
0013	CUVR31111		BALL BEARING 6005-2RS1	2,00			--
0014	LAFN31112		SPACER SLO7161	1,00			--
0015	LAFN31113		DRIVE DISK LV	1,00			--
0017	VTAE00052		RING ARRESTO ALBERO	1,00			--
0018	MPVR02768		DISC PROTEZIONE	1,00			--
0019	MTPL34057		PULLEY E/B450	1,00			--
0020	LAFN45447		PIN LAVAPAV.E/B 2V.	1,00			--



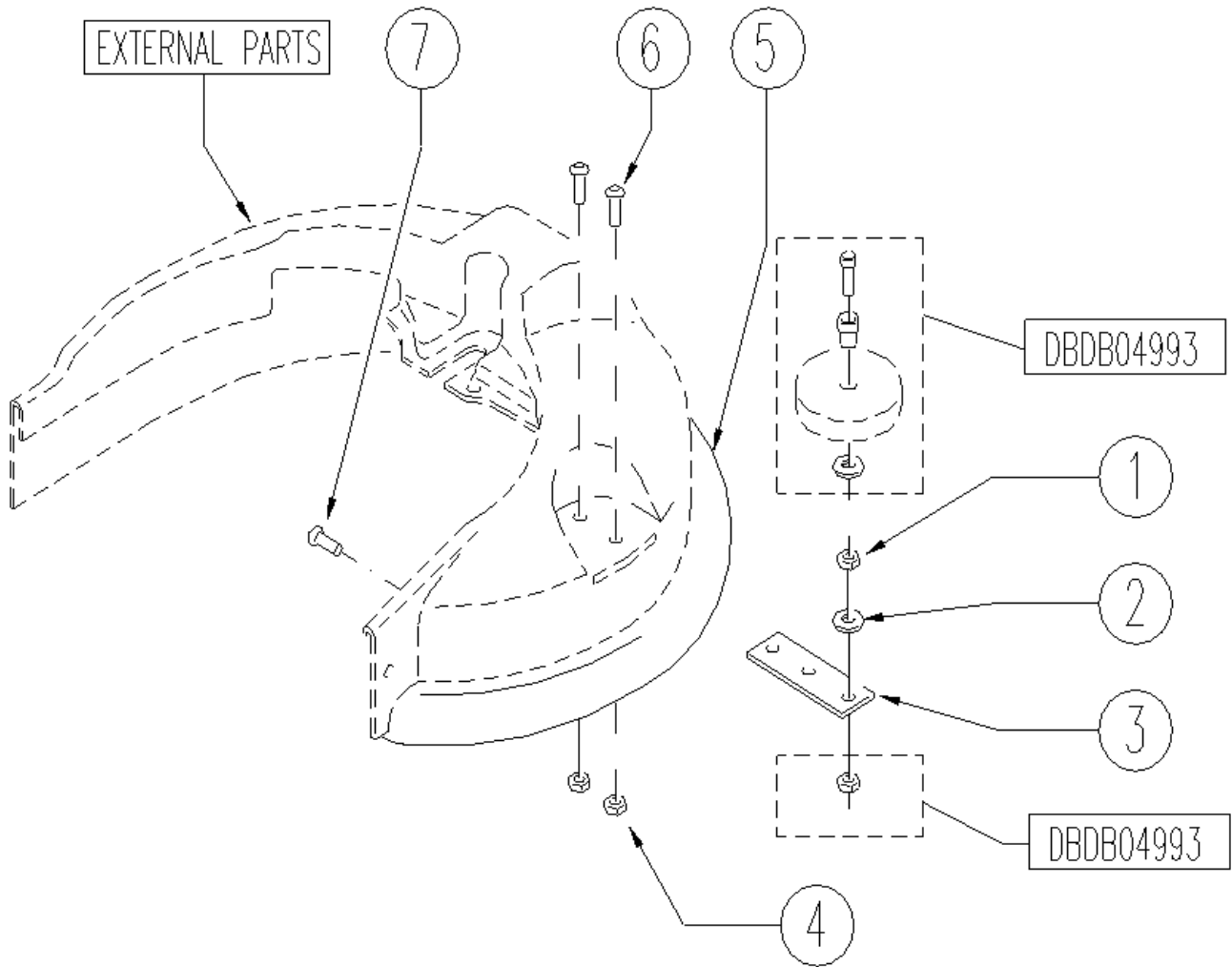
Ref. K	Part N.	Customer Part N.	Description	Qty	Validity:		Price
					From	To	
0001	LAFN05690		LEVER RUOTINO	1,00			--
0002	VTRS00232		WASHER D.12 UNI 6592 ZINC.	1,00			--
0003	RTRT43375		TURNING WHEEL D. 60 M12X30	1,00			--
0004	LAFN05625		FRAME	1,00			--
0005	MPVR02892		BUSHING RUOTA DX ALLUNGATA	1,00			--
0006	LAFN05188		SUPPORT BRACKET SERBATOIO ++SL39098	1,00			--
0007	VTVR26559		KEY 5X5X15	1,00			--
0008	MPVR02825		THICKNESS SUPPORTO SERBATOIO	1,00			--
0009	MPVR02826		THICKNESS LATERALE SUPPORTO SERBAT.	1,00			--
0010	MPVR02880		BUSHING PLASTICA	1,00			--
0011	LAFN04095		SHAFT ASSE RUOTE ALLUNGATO	1,00			--
0012	RTRT47147		WHEEL D.200 A.TRC.	2,00			--
0013	VTVT00666		SCREW TBEI M. 8-10 INOX	2,00			--
0014	VTRS13946		WASHER D. 8 X24 INX UNI 6593	2,00			--
0015	LAFN04096		SPACER ALLUNGATO	1,00			--



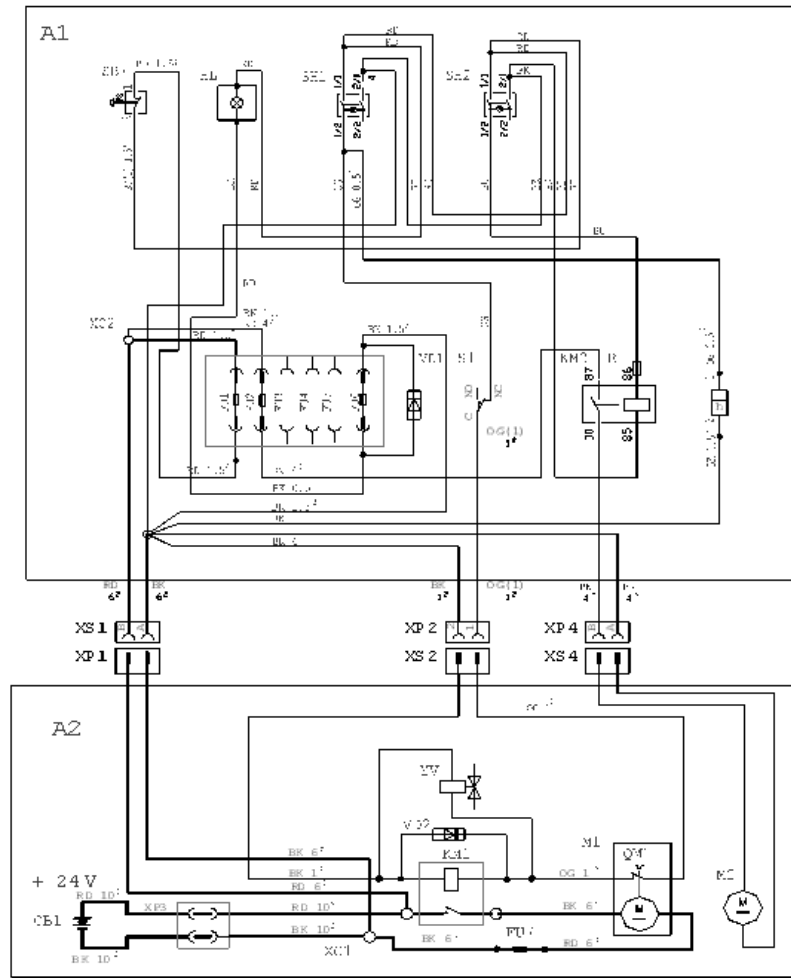
Ref.	K	Part N.	Customer Part N.	Description	Qty	Validity:		Price
						From	To	
0001		VTVT00775		SCREW TCEI M 8X40 ZC.BK UNI5931	1,00			--
0002		LAFN03915		BUSHING NUOVO RUOTINO STRONG	1,00			--
0003		RTRT43370		CASTER D.100 2V.	1,00			--
0004		VTRS13946		WASHER D. 8 X24 INX UNI 6593	3,00			--
0005		VTDD01695		NUT M 8 INX	3,00			--
0007		VTVT63035		SCREW TCEI M8X25 BRUNITA	1,00			--
0008		VTRS13947		WASHER D. 8 INX UNI 6592	1,00			--
0009		LAFN05185		SMALL SQUARE FISSAGGIO MOLLA TESTATA	1,00			--
0010		RCDS35584		BUSHING D. 8X12X 4.3	1,00			--
0011		VTVT00836		SCREW TE M12-60 INOX	1,00			--
0012		LAFN05620		LEVER ARM RUOTINO ALTO	1,00			--
0013		MLML00152		SPRING F.1.5-D.16-L.50 TRA	1,00			--
0014		VTVT15917		SCREW TE M 8X50 INOX A2 UNI	1,00			--
0015		VTDD00131		NUT M.12 AUT. DIN 982 ZINC	1,00			--
0016		VTRS00273		WASHER D.13-24-2,5 Z. NERA	2,00			--
0017		RTRT49171		CASTER D. 80-12	1,00			--
0018		VTVT01004		SCREW TC+ M4 X 10 TRILOBATA	2,00			--
0030		MPVR04139		RUBBER PEDALINO	1,00			--
0031		LAFN05688		ROD COMANDO RUOTINO	1,00			--
0032		MLML00201		SPRING TRAZ.PER GIUNTO	1,00			--
0033		LAFN05530		LEVER SOLLEVAMENTO	1,00			--
0034		VTDD00157		NUT M. 6 DIN 985 ZN	2,00			--
0035		VTRS00245		WASHER D.6 UNI 6592 INOX	2,00			--
0036		LAFN05689		BRACKET GUIDA	1,00			--
0037		VTVT13939		SCREW TE 6X20 UNI5739 INX	2,00			--



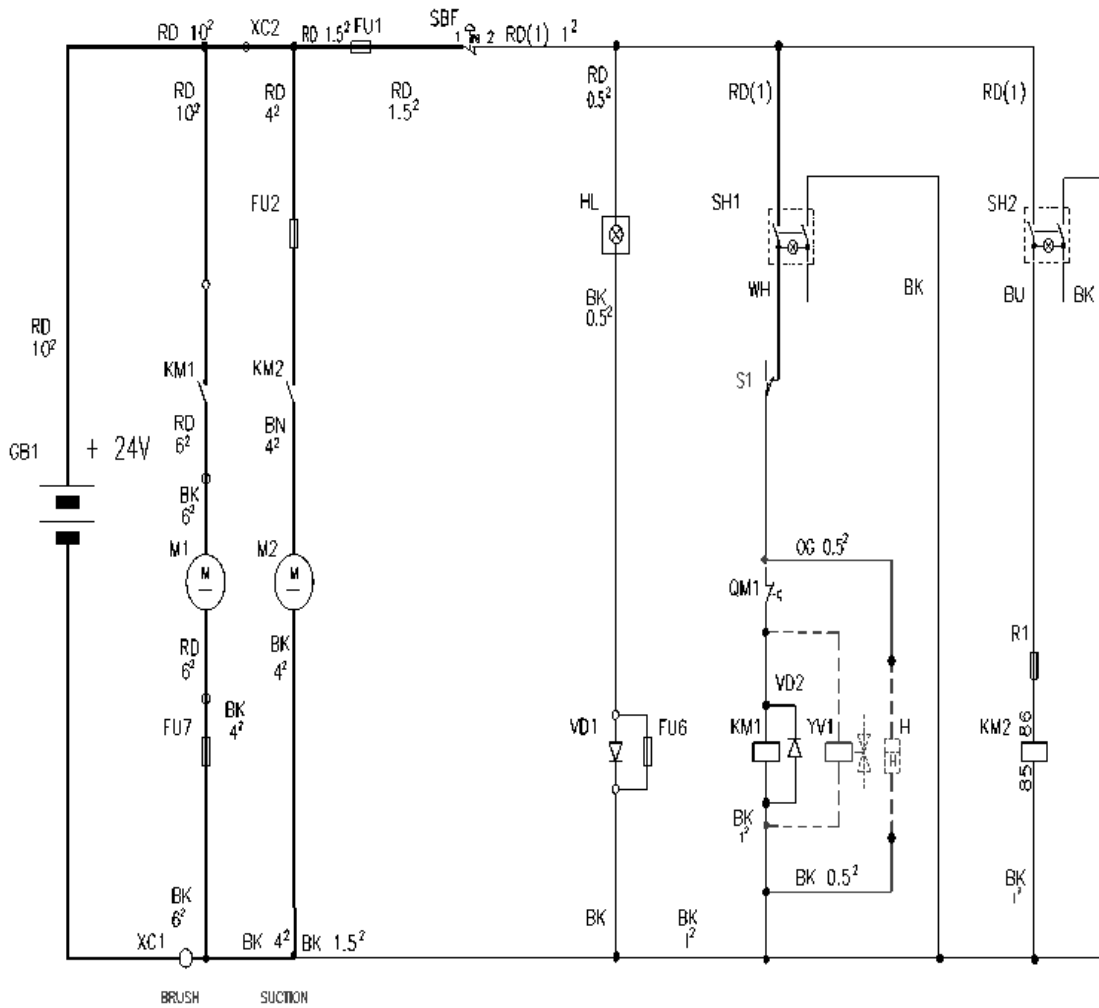
Ref.	K	Part N.	Customer Part N.	Description	Qty	Validity: From To	Price
0001		LAFN04923		FLANGE DISTANZIALE MOTORE	1,00		--
0002		PMVR00653		MOTOR SPAZZOLE CABLATO	1,00		--
0003		LAFN04048		SPACER PULEGGE SK 57	1,00		--
0004		VTVR13165		KEY 5X5X20	2,00		--
0005		VTRS13945		WASHER D. 6X18 INX UNI 6593	8,00		--
0006		VTRS00246		WASHER D. 6	4,00		--
0007		VTVT13939		SCREW TE 6X20 UNI5739 INX	4,00		--
0008		MTPL00151		PULLEY	1,00		--
0009		VTVT15143		SCREW TE 6X16 UNI5739	4,00		--
0010		LAFN05621		MOTOR SUPPORT ALTO	1,00		--
0011		VTVT00917		GRUB SCREW M.8-50 PIANO INOX	1,00		--
0012		VTDD10776		NUT M 8 X1 UNI 5588	2,00		--
0013		VTDD01695		NUT M 8 INX	2,00		--
0014		VTDD15518		NUT M 6 INX	4,00		--
0015		GUGO00223		GASKET IN GOMMA	1,00		--
0020		VTAE00051		CIRCLIP X ALBERO D. 12 U7435 INX	2,00		--
0021		CUVR00085		BEARING 6001 2RSH	2,00		--
0022		MTPL31109		PULLEY LAVAM.	1,00		--
0023		LAFN31110		PLUG LAV. B 450	1,00		--
0024		MTCG46515		BELT S140 H25 SP.1.8	1,00		--
0025		VTVT17342		SCREW TE M 6X 60 UNI 5739 INX	2,00		--
0026		VTAE13512		CIRCLIP D. 17 UNI 7435	1,00		--
0027		LAFN35750		SPACER LAV. E/B 450	2,00		--
0028		CUVR00102		BEARING 6203-2RS1H	2,00		--
0029		VTDD15520		NUT M 6 A2 UNI 5588 INX	1,00		--
0030		LAFN35756		PLATE LAV. B450	2,00		--
0031		ALTR31108		SHAFT LAV. B 450	1,00		--
0032		LAFN31115		SPACER LAV. B 450	1,00		--
0033		VTVT00655		SCREW TE M. 6-55	1,00		--
0034		VTRS00270		WASHER	3,00		--
0035		MTCG49704		BELT ZX 27 X-TS	1,00		--
0036		MTPL35755		PULLEY 150-1Z B450	1,00		--
0037		VTRS00294		WASHER D. 8	2,00		--
0040		VTRS00501		WASHER D. 4 0.232 UNI 6592	2,00		--
0041		VTVT21887		SCREW TCB-TC 4X10 8112	2,00		--
0042		METT30650		CONTACTOR 24 V	1,00		--
0043		VTRS00229		WASHER D.8	1,00		--
0044		MEVR01116		SUPPORT FUSIBILE 120 A	1,00		--



Ref. K	Part N.	Customer Part N.	Description	Qty	Validity:		Price
					From	To	
0001	VTDD15521		NUT M 8 INX A2 UNI 5588	1,00			--
0002	VTRS13947		WASHER D. 8 INX UNI 6592	1,00			--
0003	LAFN48771		WHEEL SUPPORT SHK. 500	1,00			--
0004	VTDD15518		NUT M 6 INX	2,00			--
0005	MPVR48772		BUMPER SHK 550	1,00			--
0006	VTVT18189		SCREW TE M 6X20	2,00			--
0007	VTVT00875		SCREW TC+ 5X25	8,00			--



Ref.	K	Part N.	Customer Part N.	Description	Qty	Validity: From To	Price
FU1		MEVR01136		FUSE 30A	1,00		--
FU2		MEVR01380		FUSE A LAMA	1,00		--
FU6		MEVR01136		FUSE 30A	1,00		--
FU7		MEVR42990		FUSE 60A NST.	1,00		--
H		MESB00022		HOUR-COUNTER 24V	1,00		--
HL		MECE30652		PCB LAV.FL.	1,00		--
KM1		METT30650		CONTACTOR 24 V	1,00		--
KM2		MERL45196		SWITCH RELAY F7 IN/O 12V 70A	1,00		--
M1		MOCC36311		TRACTION MOTOR DW225 600 W 24V	1,00		--
M2		MOCC00253		MOTOR ASPIR.BIST.24V	1,00		--
R1		MECE00341		RESISTANCE 68R	1,00		--
S1		MECI00310		MICROSWITCH	1,00		--
SBF		MECI38446		BUTTON D.22 NC	1,00		--
SH1		MECI30651		SWITCH GIALLO 36V	1,00		--
SH2		MECI30651		SWITCH GIALLO 36V	1,00		--
VD1		MECI00294		DIODE 1N4007	1,00		--
VD2		MECI00294		DIODE 1N4007	1,00		--
XC1		MEVR01116		SUPPORT FUSIBILE 120 A	1,00		--
XC2		MEVR01227		CLAMP FORBOX E27	1,00		--
XP1		MEVR01294		CONNECTOR STAGNO CPL 2M	1,00		--
XP2		MEVR01283		CONNECTOR STAGNO CPL 2M	1,00		--
XP3		MEVR01079		CONNECTOR CARICABATT.ROSSO	1,00		--
XP4		MEVR01294		CONNECTOR STAGNO CPL 2M	1,00		--
XP5		MEVR01291		CONNECTOR STAGNO CPL 6M	1,00		--
XS1		MEVR01296		CONNECTOR STAGNO CPL 2F 28A	1,00		--
XS2		MEVR01284		CONNECTOR STAGNO CPL 2F	1,00		--
XS4		MEVR01296		CONNECTOR STAGNO CPL 2F 28A	1,00		--
YV		MEEV00016		SOLENOID VALVE 24V 14W DC 7250 169	1,00		--



Ref.	K	Part N.	Customer Part N.	Description	Qty	Validity:		Price
						From	To	
FU1		MEVR01136		FUSE 30A	1,00			--
FU2		MEVR01380		FUSE A LAMA	1,00			--
FU6		MEVR01136		FUSE 30A	1,00			--
FU7		MEVR42990		FUSE 60A NST.	1,00			--
H		MESB00022		HOUR-COUNTER 24V	1,00			--
HL		MECE30652		PCB LAV.FL.	1,00			--
KM1		METT30650		CONTACTOR 24 V	1,00			--
KM2		MERL45196		SWITCH RELAY F7 IN/O 12V 70A	1,00			--
M1		MOCC36311		TRACTION MOTOR DW225 600 W 24V	1,00			--
M2		MOCC00253		MOTOR ASPIR.BIST.24V	1,00			--
R1		MECE00341		RESISTANCE 68R	1,00			--
S1		MECI00310		MICROSWITCH	1,00			--
SBF		MECI38446		BUTTON D.22 NC	1,00			--
SH1		MECI30651		SWITCH GIALLO 36V	1,00			--
SH2		MECI30651		SWITCH GIALLO 36V	1,00			--
VD1		MECI00294		DIODE 1N4007	1,00			--
VD2		MECI00294		DIODE 1N4007	1,00			--
XC1		MEVR01116		SUPPORT FUSIBILE 120 A	1,00			--
XC2		MEVR01227		CLAMP FORBOX E27	1,00			--
YV1		MEEV00016		SOLENOID VALVE 24V 14W DC 7250 169	1,00			--