

VIPER

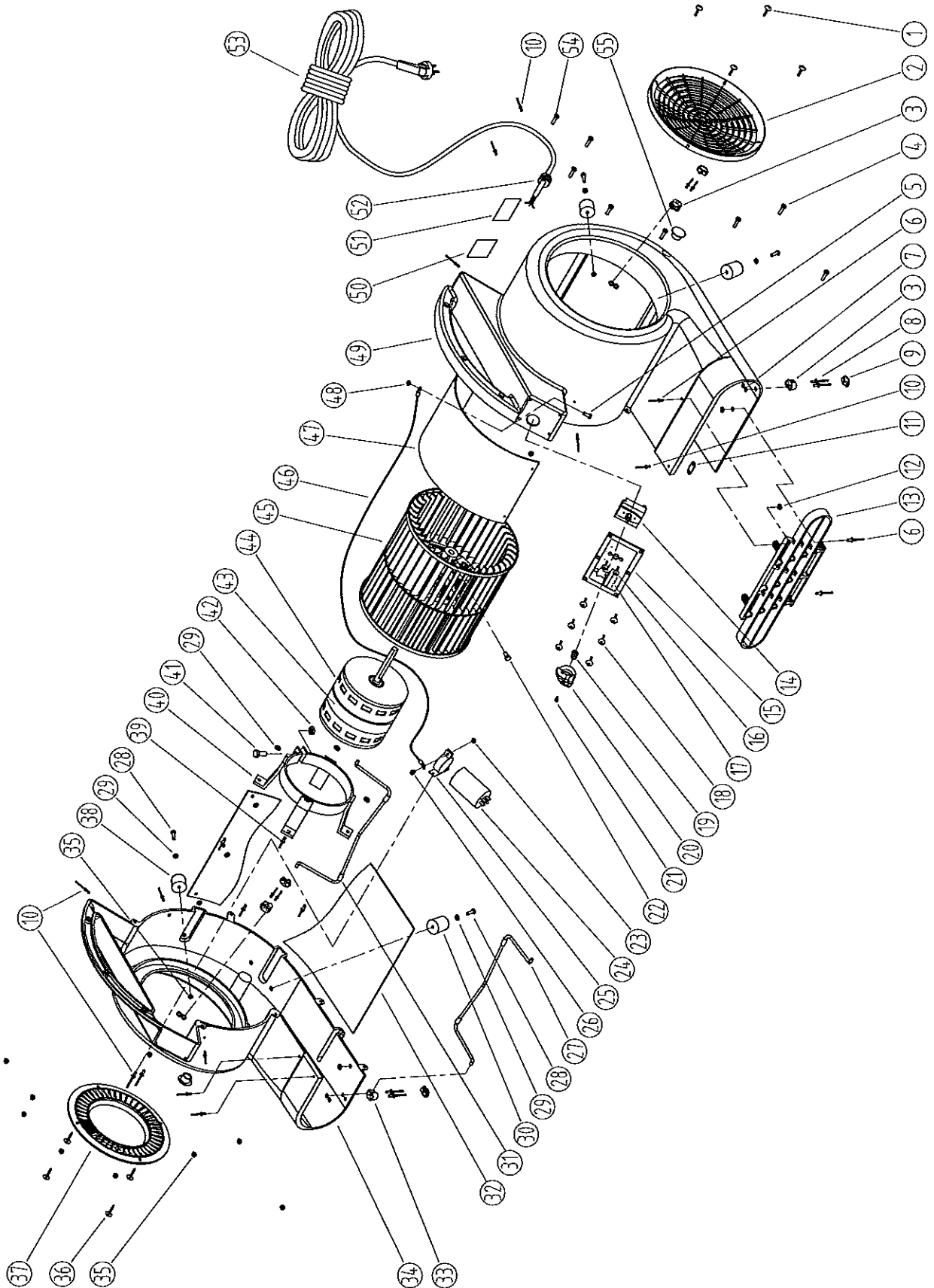
WHIPTAIL

WT3SPD

AIR MOVER

*****PLEASE MAKE SURE YOUR SERIAL NUMBER MATCHES TO ENSURE
CORRECT PARTS ARE BEING ORDERED*****

PARTS LIST



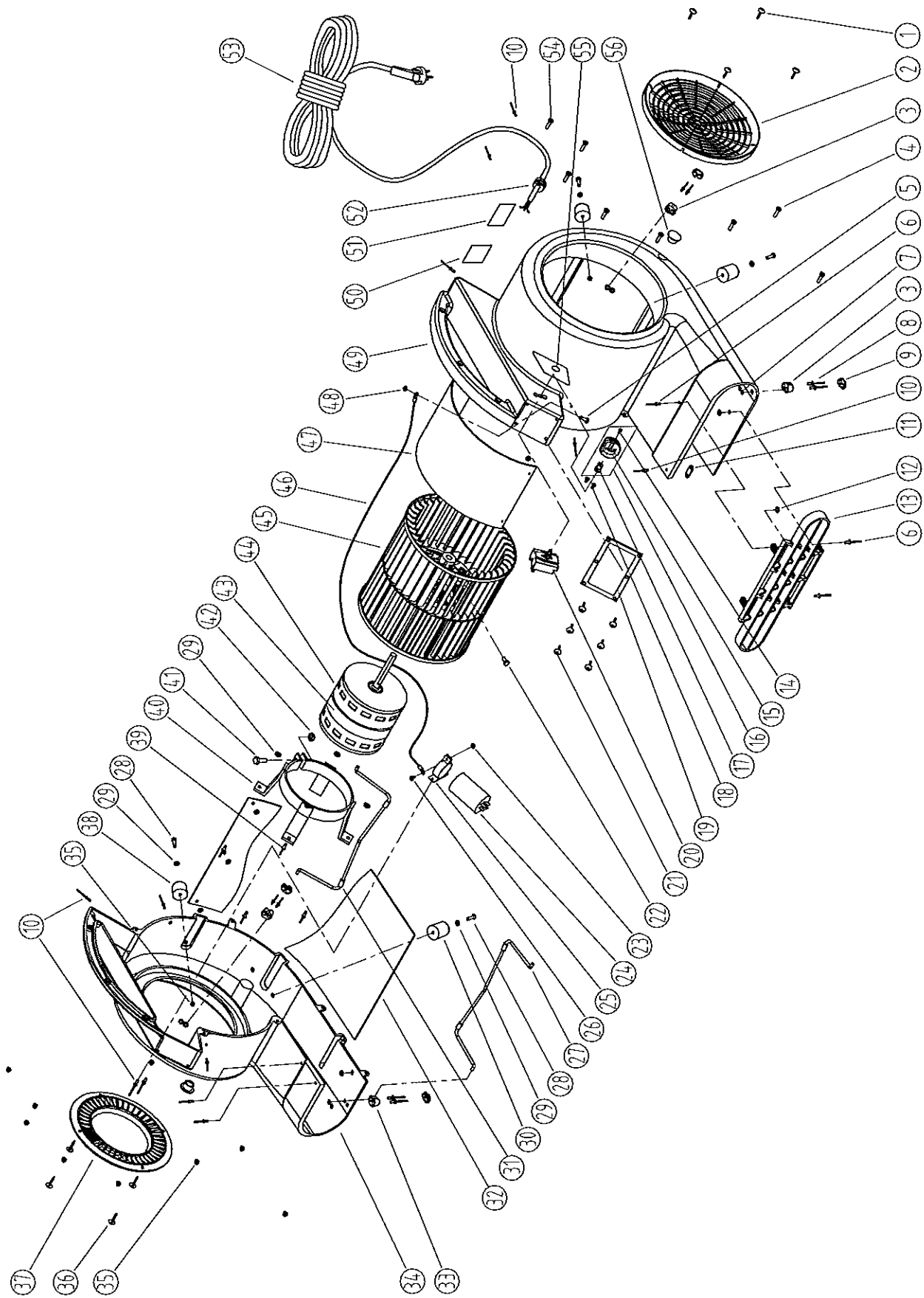
WHIPTAIL AIR MOVER - BASE ASSEMBLY - UP TO SERIAL # 108,104

| DIA NO | PART NUMBER | DESCRIPTION | | |
|---------------|--------------------|------------------------------------|--|--|
| 1 | VV13649 | SCREW, SELF-TAPPING, ST, M4 x 25 | | |
| 2 | VV30107 | LEFT NET, VENT, INTAKE | | |
| 3 | VV30102 | BLOCK, STAND, RIGHT FRONT | | |
| 4 | VF13613 | SCREW, M5 x 20 | | |
| 5 | VV20504 | SCREW, PH, 8G, 5/32" x 1/2", SST | | |
| 6 | VV13647 | RIVET, M4.8 x 16 | | |
| 7 | VV13653 | WASHER, PLAIN, M3.5 x M10 x 1 | | |
| 8 | VV13645 | RIVET, M3.2 x 16 | | |
| 9 | VV30124 | RUBBER, BLOCK, STAND | | |
| 10 | VA13485 | RIVET, M3.2 x 12 | | |
| 11 | VV30119 | CONNECTING PLATE | | |
| 12 | VA13482 | WASHER, PLAIN, M5 x M11 x 1 | | |
| 13 | VV30112 | NET, VENT, OUTLET | | |
| 14 | VV30180 | SWITCH ASSEMBLY | | |
| 15 | VV30500A | PLATE, ROTARY SWITCH, W/ LABEL | | |
| 16 | VV13658 | SCREW, M5 x 20 | | |
| 17 | VV30500A | PLATE, ROTARY SWITCH, W/ LABEL | | |
| 18 | VV13608 | SCREW, SELF-TAPPING, ST, M3.4 x 12 | | |
| 19 | VV30105 | HOLDER, SWITCH | | |
| 20 | VV30104 | ROTATOR, SWITCH | | |
| 21 | VV13651 | SCREW, M3 x 8 | | |
| 22 | VV13656 | SCREW, M8 x 16 | | |
| 23 | VV13609 | NUT, M4 | | |
| 24 | VV30142 | CAPACITOR (40UF/300V) | | |
| 25 | VV30014 | CLAMP, CAPACITOR | | |
| 26 | VV13642 | SCREW, M4 x 8 | | |
| 27 | VV30115 | STAND | | |
| 28 | VA13475 | SCREW, PH, SST, M5 x 25 | | |
| 29 | VV13030 | WASHER, PLAIN, M6.5 x M12 x 1 | | |
| 30 | VV30114—1 | RUBBER STAND, 38mm | | |
| 31 | VV30117 | RUBBER SLEEVE | | |
| 32 | VV30118 | PLATE, CHAMBER | | |
| 33 | VV30200 | BLOCK, STAND, LEFT FRONT | | |
| 34 | VV30100 | HOUSING, LEFT | | |
| 35 | GT13022 | NUT, M5 | | |
| 36 | VV13640 | SCREW, SELF-TAPPING, M4 x 16 | | |
| 37 | VV30110 | RIGHT NET, VENT, INTAKE | | |
| 38 | VV30114 | RUBBER, STAND, 48mm | | |
| 39 | VV13648 | RIVET, M6.4 x 18 | | |
| 40 | VV30011 | CLAMP, MOTOR | | |
| 41 | VV13657 | SCREW, M8 x 25 | | |
| 42 | VF13503 | NUT, M8 | | |
| 43 | VV30116 | GASKET, MOTOR | | |
| 44 | VV30162 | MOTOR, 115V, 3/4HP | | |

WHIPTAIL AIR MOVER - BASE ASSEMBLY

| DIA NO | PART NUMBER | DESCRIPTION |
|-------------------|------------------------|--------------------|
| 45 | VV30010 | WHEEL, 9" |
| 46 | VA21570 | JUMP WIRE |
| 47 | VV30118A | PLATE, CHAMBER |
| 48 | VV20233 | NUT, 8G, 5/32" |
| 49 | VV30101 | HOUSING, RIGHT |
| 50 | VF40994 | LABEL, READ MANUAL |
| 51 | VV30505B | SERIAL TAG |
| 52 | VV30182 | POWER BUSHING |
| 53 | VV30183 | POWER CABLE |
| 54 | VV13636 | SCREW, M5 x 30 |
| 55 | VV30122 | COVER, AXLE |

PARTS LIST

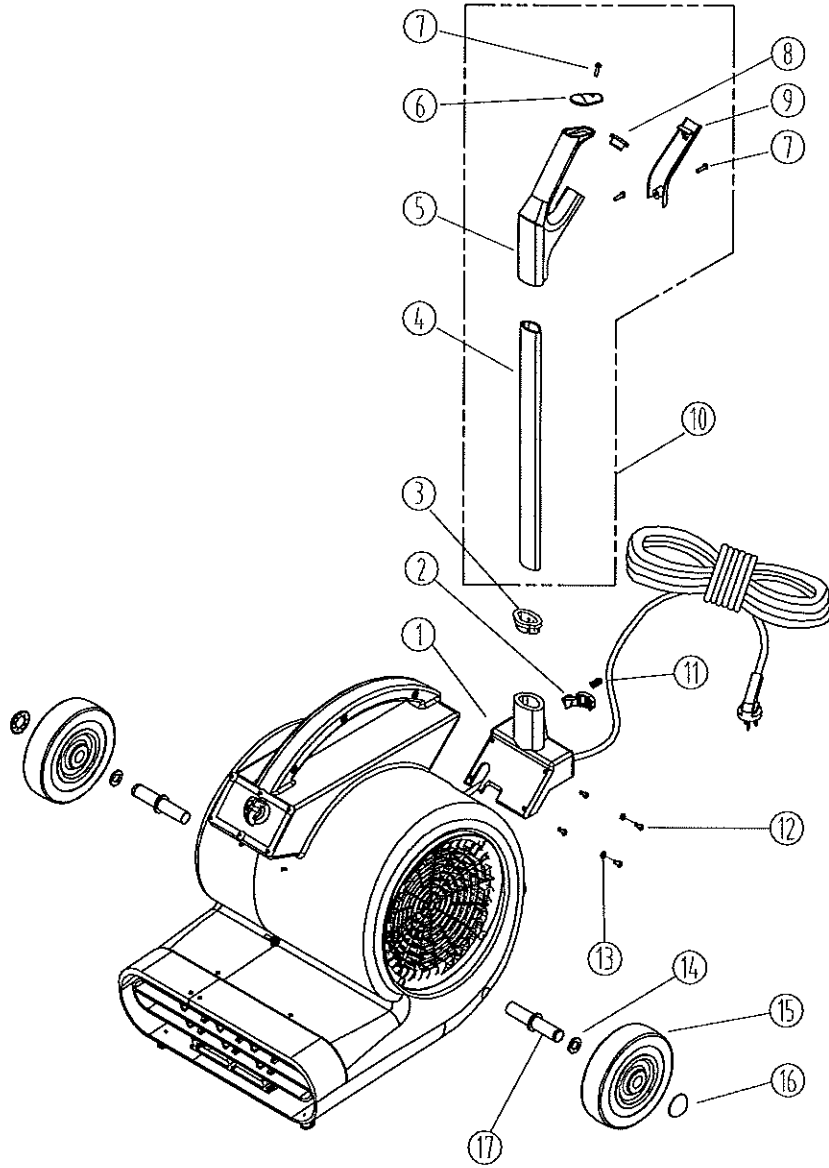


WHIPTAIL AIR MOVER - BASE ASSEMBLY - SERIAL # 108,105 +

| DIA NO | PART NUMBER | DESCRIPTION | NO REQ'D |
|--------|-------------|---|----------|
| 1 | VV13649 | SCREW, SELF-TAPPING, M4 x 25 | 4 |
| 2 | VV30107 | LEFT NET, VENT, INTAKE | 1 |
| 3 | VV30102 | BLOCK, STAND, RIGHT FRONT | 2 |
| 4 | VF13613 | SCREW, M5 x 20 | 8 |
| 5 | VF13473 | SCREW, PH, M4 x 16 | 1 |
| 6 | VV13647 | RIVET, M4.8 x 16 | 4 |
| 7 | VV13653 | WASHER, PLAIN, M3.5 x M10 x 1 | 15 |
| 8 | VV13645 | RIVET, M3.2 x 16 | 8 |
| 9 | VV30124 | RUBBER, BLOCK, STAND | 4 |
| 10 | VA13485 | RIVET, M3.2 x 12 | 11 |
| 11 | VV30119 | CONNECTING PLATE | 1 |
| 12 | VA13482 | WASHER, PLAIN, M5 x M11 x 1 | 4 |
| 13 | VV30112 | NET, VENT, OUTLET | 1 |
| 14 | VF14078 | SCREW, M3 X 10 | 1 |
| 15 | VV30104 | ROTATOR, SWITCH | 1 |
| 16 | VV30015 | ROTATOR REPLACEMENT KIT (INCLUDES #14,15 &17) | 1 |
| 17 | VV30105 | HOLDER, SWITCH | 1 |
| 18 | VV13658 | SCREW, M5 x 20 | 2 |
| 19 | VV30500B | SWITCH PLATE WITH LABEL | 1 |
| 20 | VV30180 | SWITCH | 1 |
| 21 | VV13608A | SCREW, SELF-TAPPING, M4 x 12 | 6 |
| 22 | VV13656 | SCREW, M8 x 16 | 1 |
| 23 | VV13609 | NUT, M4 | 1 |
| 24 | VV30143 | CAPACITOR (40UF/300V) | 1 |
| 25 | VV30014 | CLAMP, CAPACITOR | 1 |
| 26 | VV13642 | SCREW, M4 x 8 | 1 |
| 27 | VV30115 | STAND | 2 |
| 28 | VA13475 | SCREW, PH, M5 x 25, SST | 4 |
| 29 | VV13030 | WASHER, PLAIN, M6.5 x M12 x 1 | 8 |
| 30 | VV30114—1 | RUBBER STAND, 38mm | 2 |
| 31 | VV30117 | RUBBER SLEEVE | 4 |
| 32 | VV30118 | PLATE, CHAMBER | 1 |
| 33 | VV30200 | BLOCK, STAND, LEFT FRONT | 2 |
| 34 | VV30100 | HOUSING, LEFT | 1 |
| 35 | GT13022 | NUT, M5 | 13 |
| 36 | VV13640 | SCREW, SELF-TAPPING, M4 x 16 | 4 |
| 37 | VV30110 | RIGHT NET, VENT, INTAKE | 1 |
| 38 | VV30114 | RUBBER STAND, 48mm | 2 |
| 39 | VV13648 | RIVET, M6.4 x 18 | 4 |
| 40 | VV30011 | CLAMP, MOTOR | 1 |
| 41 | VV13657 | SCREW, M8 x 25 | 1 |
| 42 | VF13503 | NUT, M8 | 1 |
| 43 | VV30116 | GASKET, MOTOR | 1 |
| 44 | YQ61000 | MOTOR, 115V, 3/4HP | 1 |
| 45 | VV30010 | WHEEL, 9" | 1 |

| | | | |
|----|----------|----------------------|---|
| 46 | VA21570 | JUMP WIRE | 1 |
| 47 | VV30118A | PLATE, CHAMBER | 1 |
| 48 | VV20249 | NUT, M4, SST | 1 |
| 49 | VV30101A | HOUSING, RIGHT | 1 |
| 50 | VF40994 | LABEL, READ MANUAL | 1 |
| 51 | VV30505B | SERIAL TAG | 1 |
| 52 | VV30182 | BUSHING, POWER CABLE | 1 |
| 53 | VV30183 | POWER CABLE | 1 |
| 54 | VV13636 | SCREW, M5 x 30 | 3 |
| 55 | VV30529 | LABEL, SWITCH | 1 |
| 56 | VV30122 | COVER, AXLE | 2 |

PARTS LIST



**THE AXLES HAVE A VERY TIGHT TOLERANCE FIT.
LUBRICATE THEM WITH SOME SOAPY WATER BEFORE
DRIVING THEM INTO THE MOLDED RECEIVER.**

WHIPTAIL AIR MOVER - HANDLE & WHEEL KIT

| DIA NO | PART NUMBER | DESCRIPTION |
|-------------------|------------------------|---|
| 1 | VV30120 | SEAT, HANDLE |
| 2 | VV30130 | RELEASE BUTTON, HANDLE |
| 3 | VV30121 | COVER, HANDLE SEAT |
| 4 | VV30106 | TUBE, ALUMINUM |
| 5 | VV30132 | PLASTIC HANDLE |
| 6 | VV30134 | COVER, HANDLE |
| 7 | VV13640 | SCREW, SELF-TAPPING, M4 x 16 |
| 8 | VV30123 | RUBBER COVER, HANDLE |
| 9 | VV30133 | BOTTOM, HANDLE |
| 10 | VV30109B | HANDLE ASSY |
| 11 | VV30131 | SPRING, RELEASE BUTTON |
| 12 | GT13012 | SELF-TAPPING SCREW, ST5 x 16 (screws into plastic only) |
| | VV13661 | SCREW, M4 x 12 (screws into brass inserts) |
| 13 | VV13664 | WASHER, PLAIN 4 x 12 x 1 |
| 14 | VF47027 | WASHER, LOCK |
| 15 | VF47055 | WHEEL, 6.4" |
| 16 | VA96851 | CAP, AXLE |
| 17 | VV30111 | AXLE |