

WHIRLAMATIC MODEL 2500

THIS PARTS LIST IS FOR MACHINES
AFTER SERIAL NUMBER 259277.

PARTS LIST



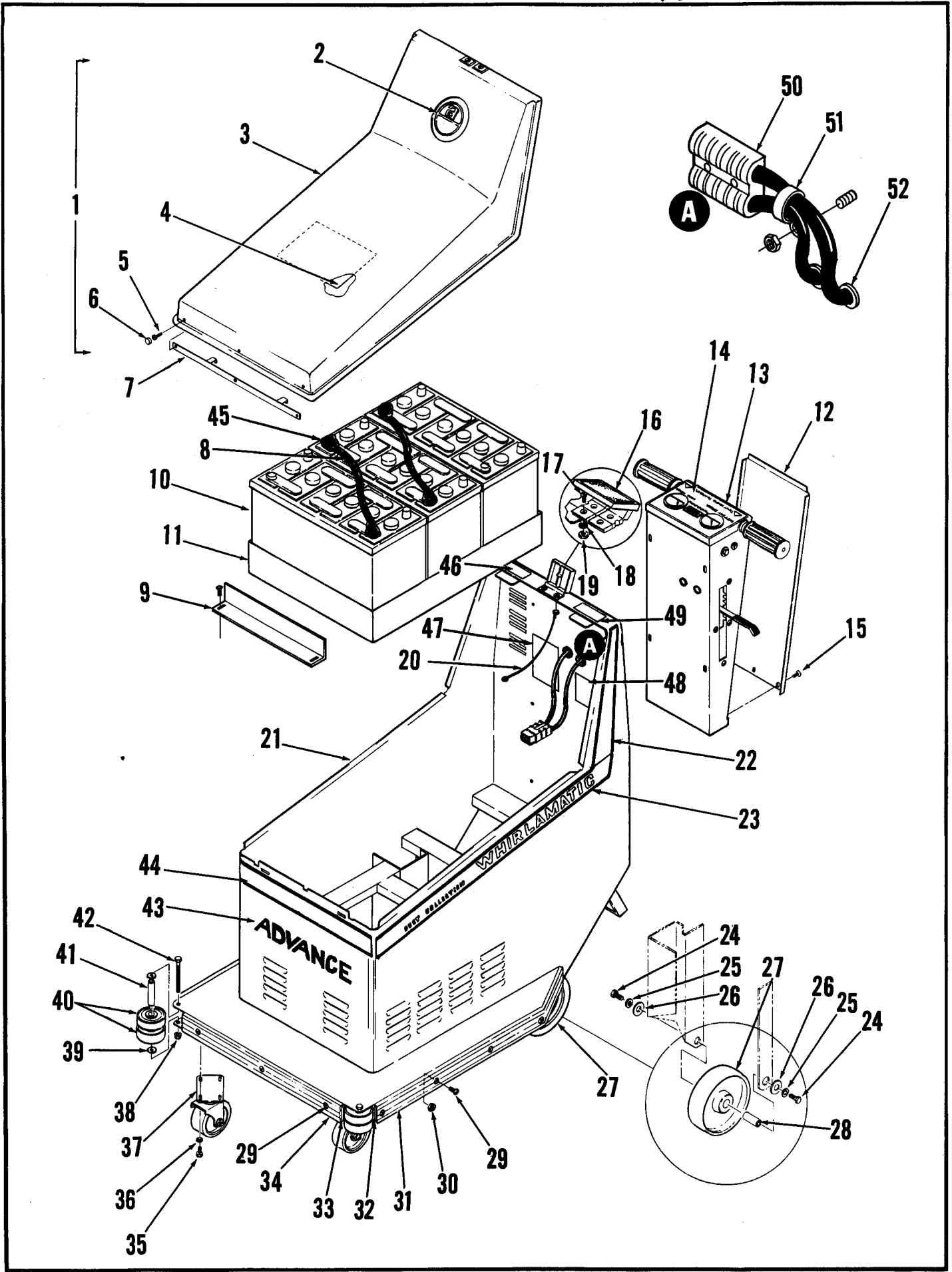
ADVANCE
MACHINE COMPANY

INTERNATIONAL HEADQUARTERS, Plymouth, MN 55447-3408
EUROPE, Llantrisant, Pontyclun, Mid-Glamorgan CF7 8YZ Wales, United Kingdom
CANADA, 1295 Crestlawn Drive, Mississauga, Ontario L4W 1A9



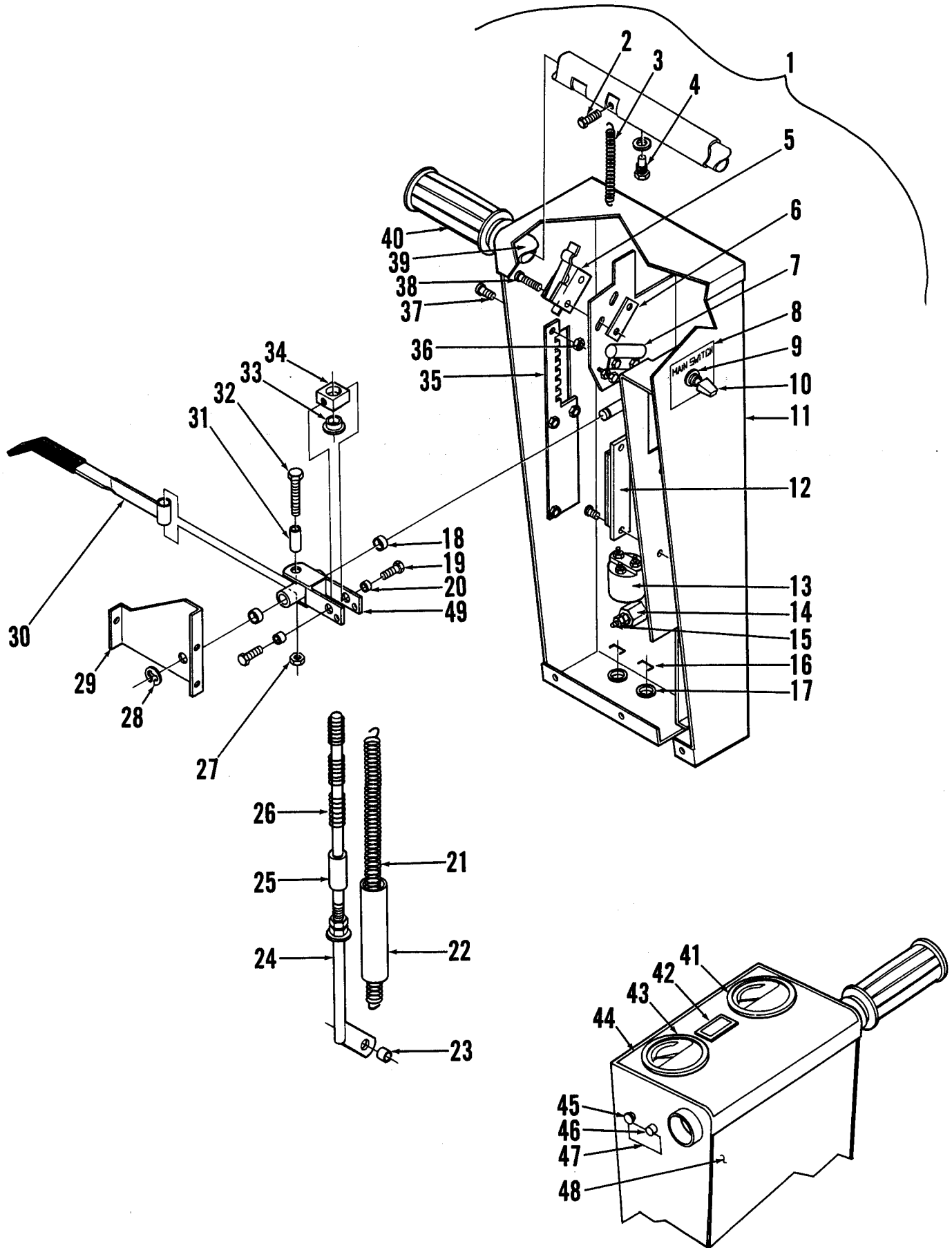
Index for Form Number 042184

Description	Location	page
Control Handle	D3	3
Pad Drive	D5	5
Wheels, Shroud & Chassis	D1	1
Wiring Diagram & Accessories	D7	7



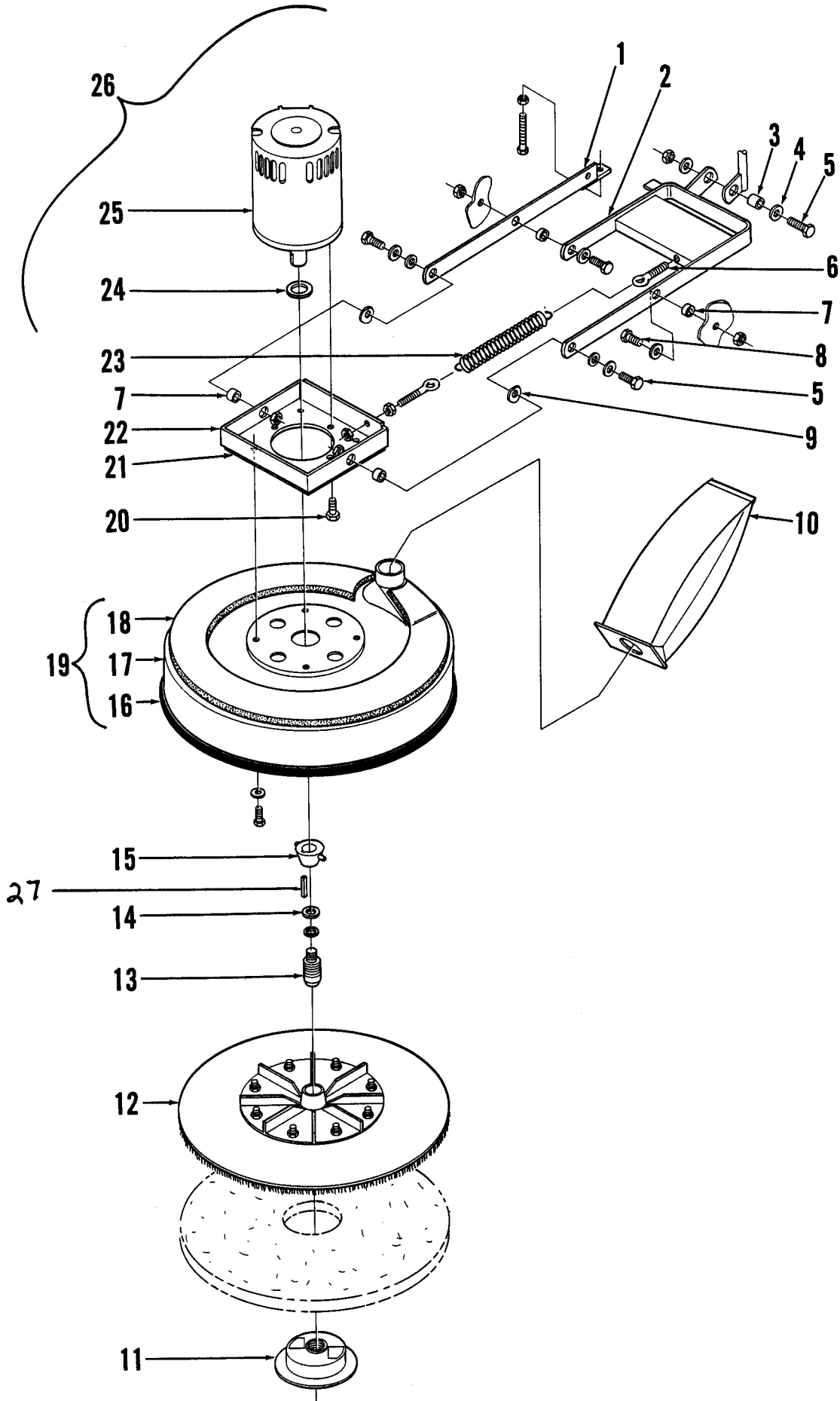
HOUSING ASSEMBLY

Item	Part No.	Qty	Description	Item	Part No.	Qty	Description
1	391095	1	Shroud Assembly	37	206725	2	Swivel Caster
2	014042	1	Decal, Logo	38		2	Nut
3	391097	1	Shroud	39	371009	4	Washer
4	025565	1	Wiring Decal	40	363855	4	Bumper Wheel
5		3	Screw	41	386825	2	Bushing
6	387190	3	Snap Cap	42		2	Screw
7	386760	1	Bracket	43	014046	1	Decal, Advance
8	363936	2	Battery Cable	44	014041	1	Decal, Front Strap
9	391131	1	Battery Stop	45	372637	6	Boot
10	388013	3	12V Battery *	46	025294	1	Decal, Warning
	376014	6	6V Battery *	47	025576	1	Decal, Caution
11	388140	1	Battery Tray	48	025264	1	Decal, Cable Routing
	391141	1	Battery Tray Kit for 6V *	49	025296	1	Decal, Spanish
12	391087	1	Back Panel	50	391126	1	Connector Assembly
13	391071	1	Handle	51	469380	1	Clamp
14	025258	1	Panel Decal	52	157376	2	Grommet
15		3	#6 Screw				
16	391120	1	Draw Latch				* = Optional Accessory, not included
17		4	Screw				
18		4	Washer				
19		4	Nut				
20	261189	1	Rope Assembly				
21	391050	1	Main Chassis				
22	014038	1	Decal, Rear Stripe Left				
	014037	1	Decal, Rear Stripe Right				
23	014040	1	Decal, Side Stripe Left				
	014039	1	Decal, Side Stripe Right				
24		4	Screw				
25		4	1/4 Lock Washer				
26	454626	4	Washer				
27	391110	2	Wheel				
28	391100	2	Axle				
29		27	Screw				
30		27	Nut				
31	391101	2	Side Bumper				
32	391102	2	Side Bumper Strap				
33	391104	1	Front Bumper Strap				
34	391103	1	Front Bumper				
35		8	1/4-20 Screw				
36		8	1/4 Lock Washer				



CONTROL HANDLE

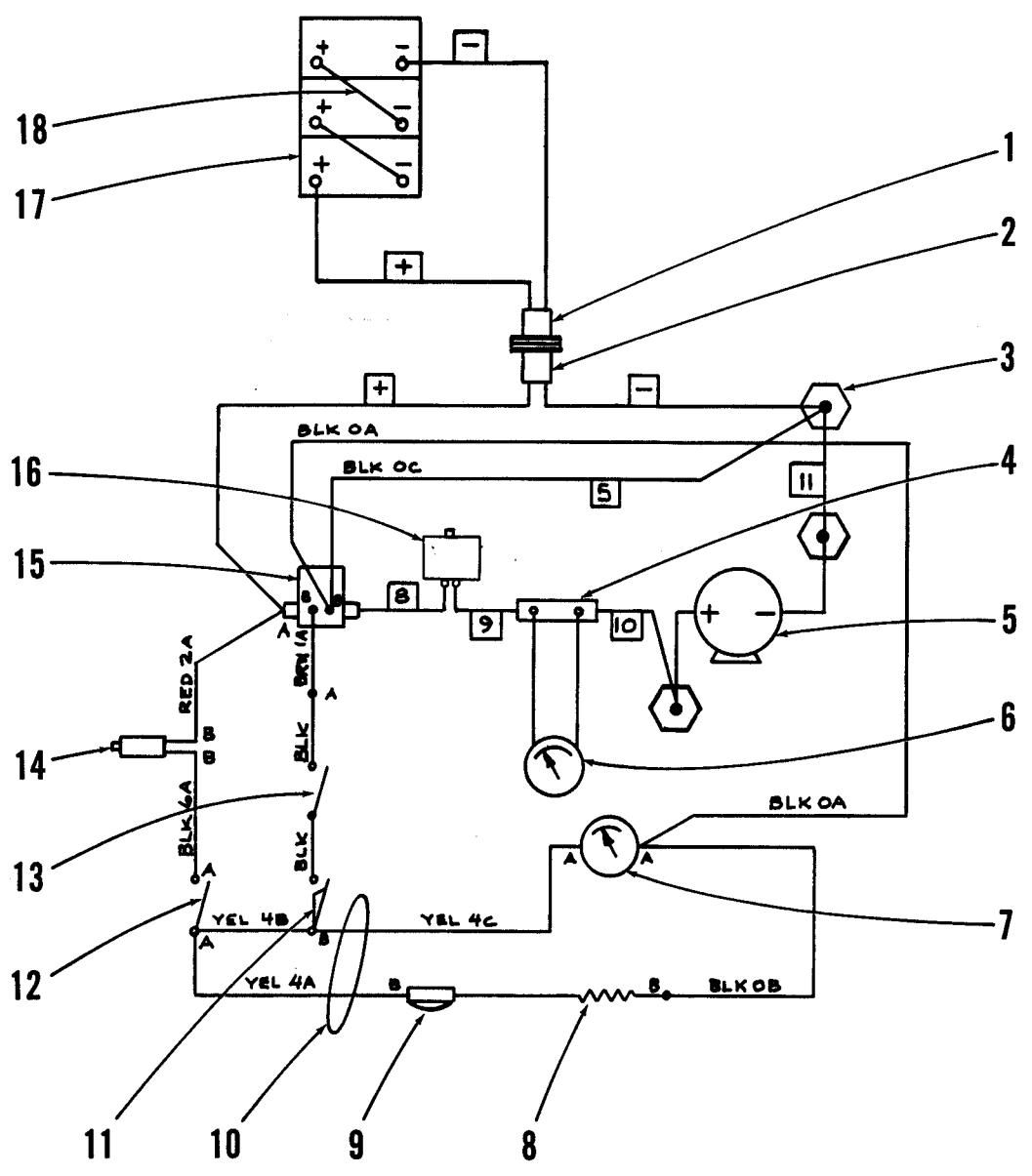
Item	Part No.	Qty	Description
1	391070	1	Handle Assembly
2	002591	1	#8-32 x 7/8 Screw
3	328790	1	Spring
4	234079	1	Screw
5	388019	1	Switch
6	385747	1	Nut Plate
7	388167	1	Mercury Switch
8	016112	1	Decal, Main Switch
9	372862	1	Washer
	372858	1	Offset Washer (inside)
10	207071	1	Switch
11	391071	1	Handle Weldment
12	386793	1	Shunt
13	395450	1	Solenoid
14	469858	1	Stand-Off
15	150274	1	Stud
16	320358	4	Strain Relief
17	301544	2	Grommet
18	368970	2	Bearing
19	001861	2	Screw
20	379298	2	Bushing
21	448119	1	Spring
22	391147	1	Tube
23	367206	1	Bushing
24	391083	1	Lift Rod Weldment
25	391151	1	Tube
26	372129	4	Spring
27	001976	1	Nut
28	321427	1	Retaining Ring
29	391075	1	Plate
30	391079	1	Lever Weldment
31	471220	1	Bushing
32	001833	1	Screw
33	391113	1	Flange Bearing
34	391115	1	Bearing Block
35	391082	1	Adjustment Plate
36	002010	7	Nut
37	002043	7	Screw
38	001979	2	Screw
39	388164	1	Tube
40	388545	2	Grip
41	391132	1	Ammeter
42	467410	1	Indicator Light
43	448677	1	Battery Meter
44	025258	1	Decal, Control Panel
45	391010	1	Circuit Breaker 80A
46	454538	1	Circuit Breaker 15A
47	025174	1	Decal, Circuit Breaker
48	391087	1	Back Panel
49	391076	1	Adjuster



DRIVE UNIT AND DUST CONTROL

Item	Part No.	Qty	Description
1	391028	1	Strap
2	391025	1	Lift Arm
3	360627	1	Bushing
4	367214	6	Washer
5	001996	3	Bolt
6	457176	2	Eye Bolt
7	367206	4	Bushing
8	001895	2	Bolt
9	398056	2	Spring Washer
10	300349	1	Filter Bag (pkg of 10)
11	388111	1	Centering Cup
12	391089	1	Pad Holder Assembly
13	388455	1	Stud
14	180200	1	Washer
15	391093	1	Driver Assembly
16	391157	1	Edging Assembly
17	391153	1	Dust Shroud
18	391154	1	Foam Sound Reduction
19	391152	1	Dust Control Assembly TSB 485 - G6
20	002127	4	Bolt
21	209434	1	Gasket 27"
22	391155	1	Motor Plate
23	382000	1	Spring
24	475280	1	Washer
25	391020	1	Motor ** TSB 541 - G3
	183607	1	Carbon Brush (Set)
	183580	1	Brush Spring (Set)
26	391021	1	Drive Unit Assembly
27	740168	1	Key

**** Note:** Motor 391020 is replaced by Motor Kit (part number 391221) which includes a new motor and instructions. New motor only is part number 391220, carbon brush set for new motor is part number 389371.



WIRING DIAGRAM

Item	Part No.	Qty	Description
	025565	1	Decal, Wiring Diagram
1	391127	1	Plug Assembly
2	391126	1	Plug Assembly
3	469858	3	Stand-Off
4	386793	1	Shunt
5	391020	1	Motor
6	391132	1	Ammeter
7	448677	1	Battery Meter
8	395404	1	Resistor
9	467410	1	Indicator Light
10	391109	1	Wire Harness
11	388019	1	Switch
12	207071	1	Switch
13	388167	1	Switch
14	454538	1	Circuit Breaker 15A
15	395450	1	Solenoid
16	391010	1	Circuit Breaker 80A
17	388013	3	Battery 12V *
	376014	6	Battery 6V *
18	363936	2	Cable Assembly
*	372955	1	Semi-Automatic Battery Charger
*	372974	1	Automatic Battery Charger
*	391141	1	6 Volt Battery Kit (for installing (6) 6 Volt Batteries)

* = Optional Accessory, not included