

WHIRLAMATIC MODEL 2500

PARTS LIST



Handwritten notes:
2-1-87
B-3-15-87
#3-41

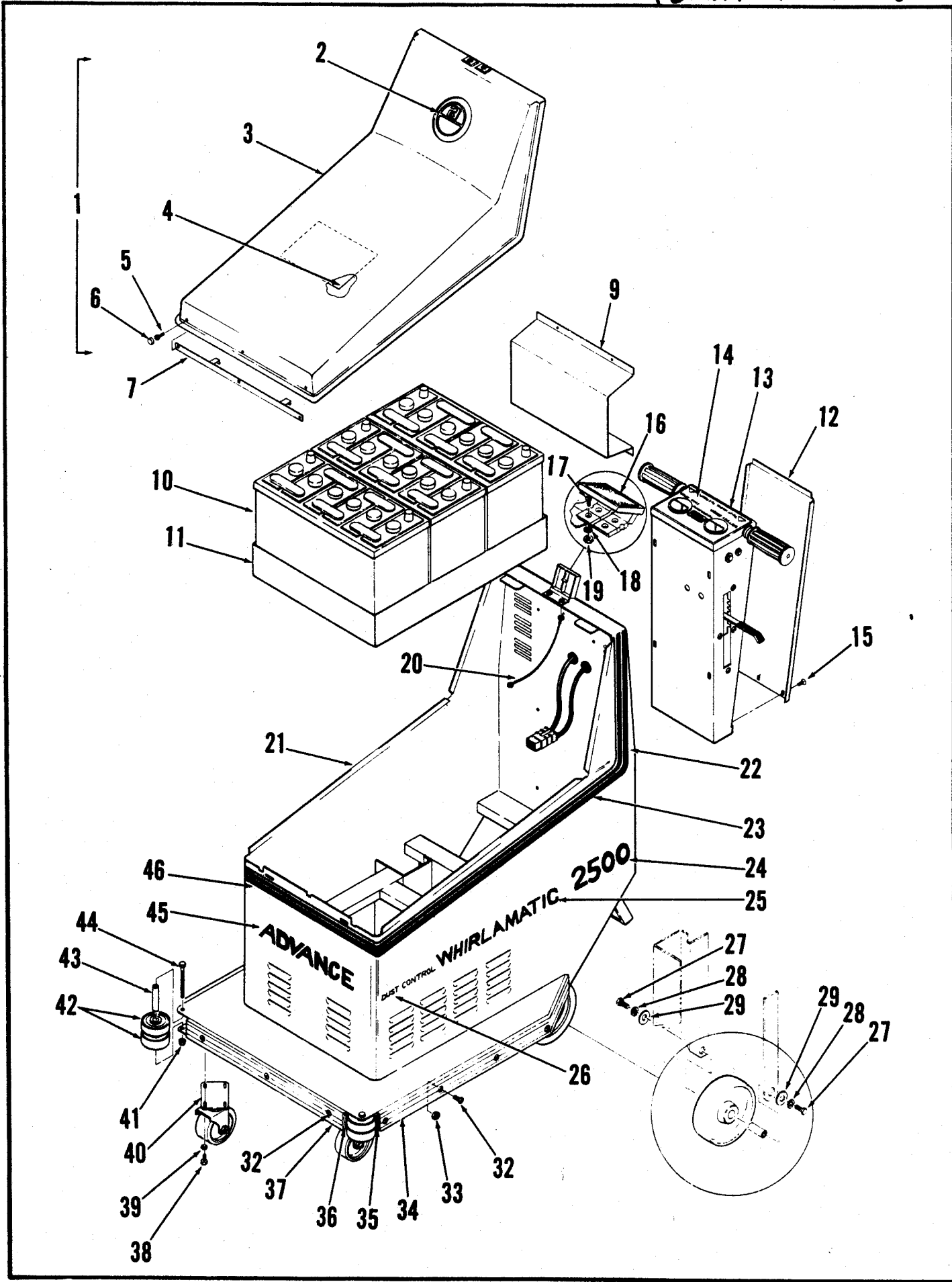
ADVANCE
MACHINE COMPANY

INTERNATIONAL HEADQUARTERS, Plymouth, Minnesota 55441-3485
EUROPE, Llantrisant, Pontyclun, Mid-Glamorgan CF7 8YZ, Wales, United Kingdom
CANADA, 1295 Crestlawn Drive, Mississauga, Ontario L4W 1A9



Index for Form Number 042168

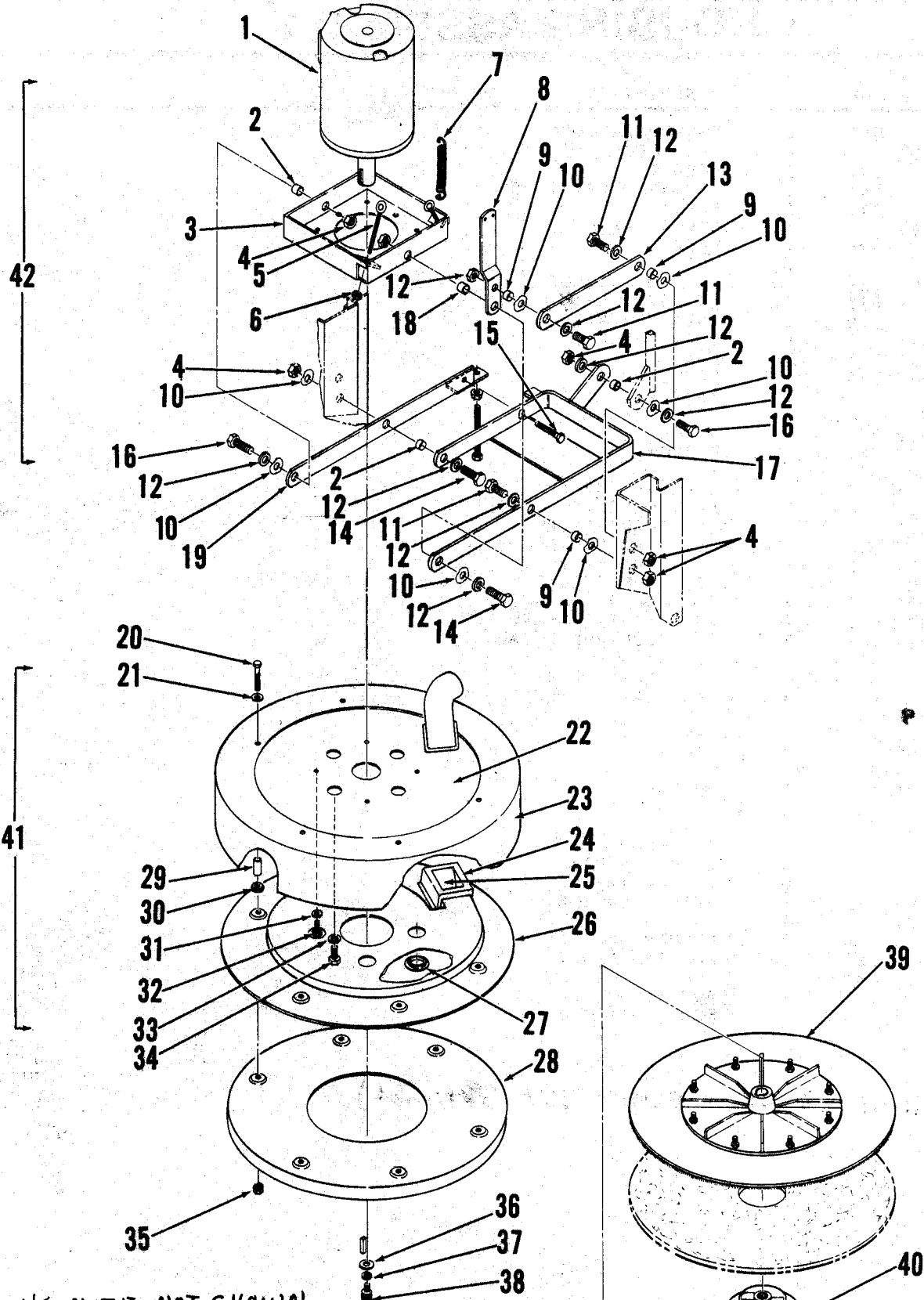
Description	Location	page
Control Handle	E1	5
Pad Drive	D12	3
Wheels, Shroud & Chassis	D10	1
Wiring Diagram	E4	7



HOUSING ASSEMBLY

#	PART NO.	Q	DESCRIPTION
1	391 095	1	SHROUD ASSEMBLY
2	025 566	1	LOGO DECAL
3	391 097	1	SHROUD
4	025 565	1	WIRING DECAL
5	002 043	3	SCREW
6	387 190	3	SCREW CAP
7	391 098	1	BRACKET
8	002 349	3	NUT
9	391 122	1	BATTERY SPACER
10	388 013	3	12V BATTERY*
11	388 140	1	BATTERY TRAY
12	391 087	1	BACK PANEL
13	391 071	1	HANDLE
14	025 258	1	PANEL DECAL
15		3	#6 SCREW
16	391 120	1	DRAW LATCH
17	002 278	4	SCREW
18	002 051	4	WASHER
19	002 061	4	NUT
20	261 189	1	ROPE ASSEMBLY
21	391 050	1	MAIN CHASSIS
22	025 571	1	LT. REAR STRIPE
	025 570	1	RT. REAR STRIPE
23	025 572	1	LT. SIDE STRIPE
	025 573	1	RT. SIDE STRIPE
24	025 569	2	2500 DECAL
25	025 567	2	WHIRLAMATIC DECAL
26	025 568	2	DUST CONTROL DECAL
27	002 514	4	SCREW
28		4	1/4 LOCKWASHER
29		4	1/4 FLAT WASHER
30	391110	2	WHEEL
31	391 100	2	AXEL
32	002 580	27	SCREW
33	002 010	27	NUT
34	391 101	2	BUMPER
35	391 102	2	STRAP
36	391 104	1	STRAP
37	391 103	1	BUMPER
38		8	1/4-20 SCREW
39		8	1/4 LOCKWASHER
40	206 725	1	SWIVEL CASTER
41	001 827	2	NUT
42	363 855	4	BUMPER WHEEL
43	386 823	2	BUSHING
44	002 485	2	SCREW
45	025 575	1	ADVANCE DECAL
46	025 574	1	FRONT STRIPE

* 391141 6-Volt Battery Kit (optional)

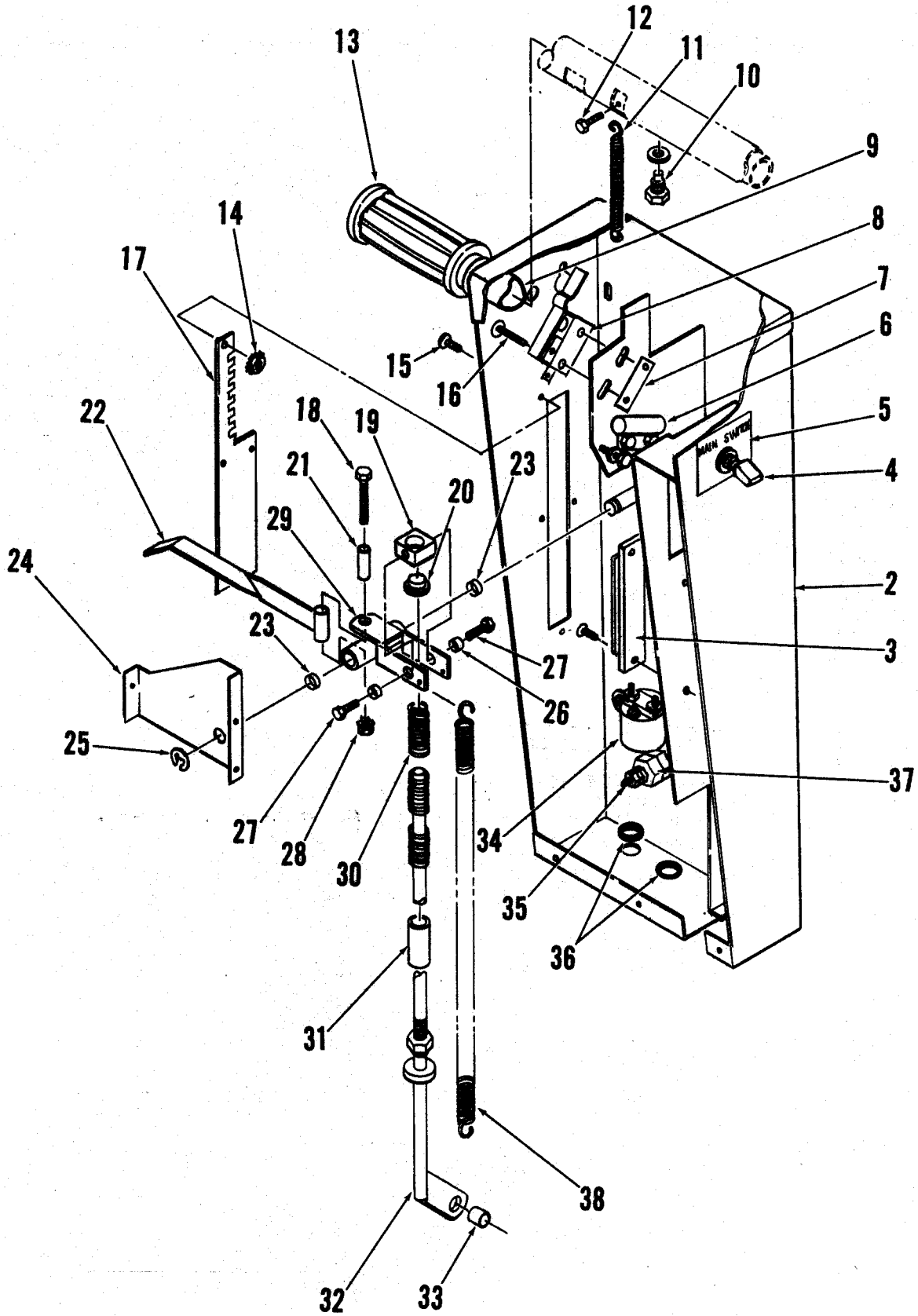


* NOTE NOT SHOWN
INNER & OUTER SKIRT ASSY.

INNER # 391135
OUTER # 391134

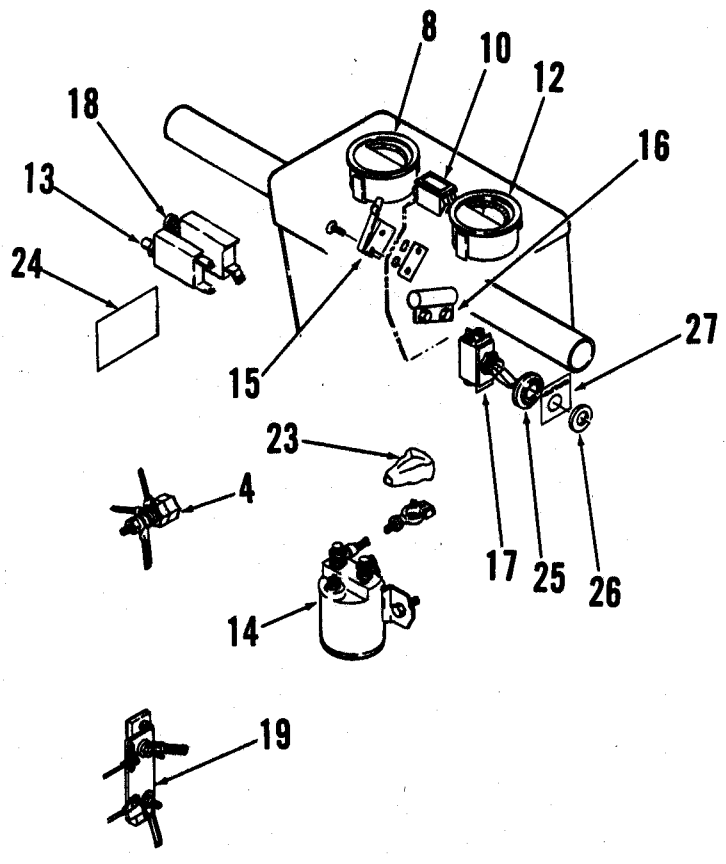
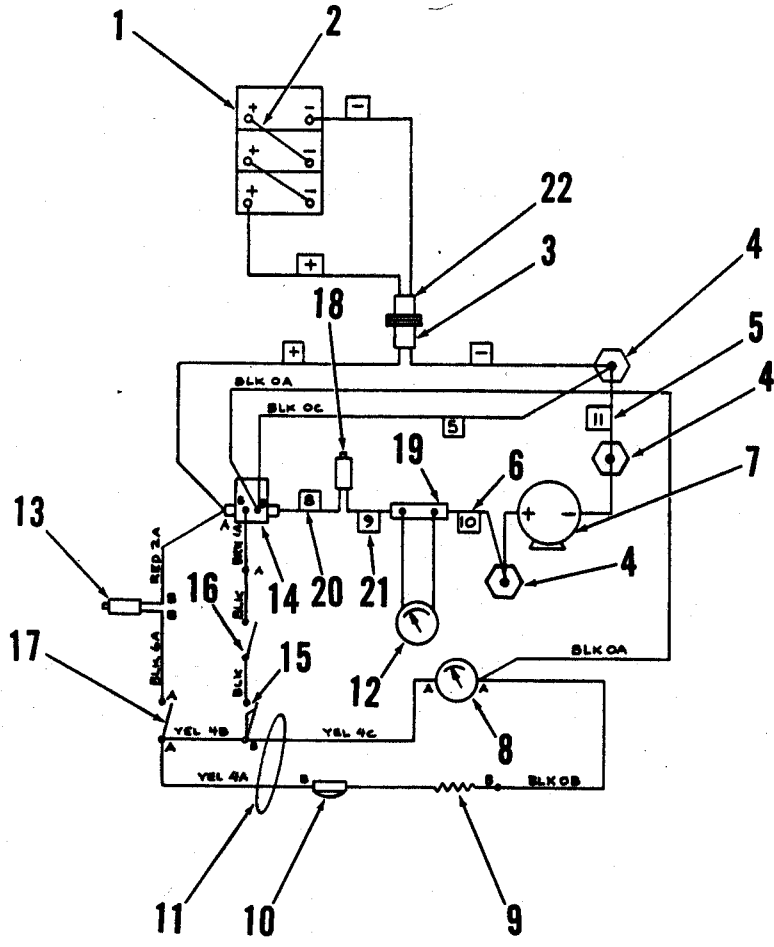
DRIVE UNIT & DUSTING CONTROL

#	PART NO.	Q	DESCRIPTION
1	391 020	1	MOTOR
2	367 206	3	BUSHING
3	391 022	1	MOTOR MOUNT
4		7	1/2 WHIZ NUT
5	457 176	2	EYE BOLT
6	001 976	2	NUT
7	448 112	2	SPRING
8	391 032	1	BAR
9	365 030	2	BUSHING
10	398 056	6	SPRING WASHER
11	001 996	3	BOLT
12	367 214	8	WASHER
13	391 031	1	BAR
14	001 931	2	SCREW
15	002 368	1	BOLT
16	001 895	2	BOLT
17	391 025	1	LIFT ARM
18	367 486	1	BUSHING
19	391 028	1	STRAP
20	001 833	6	SCREW
21		6	1/4 WASHER
22	391 034	1	SHIELD
23	391 038	1	DUST SHIELD
24	391 040	1	PORT
25	391 047	1	PORT GASKET
26	391 044	1	SCROLL
27	481 906	4	PLUG
28	391 046	1	INNER PLATE
29	471 220	6	BUSHING
30	002 827	6	NUT
31		4	1/4 WASHER
32		4	1/4 SCREW
33		4	3/8 WASHER
34	002 127	4	BOLT
35	002 561	6	NUT
36	180 200	1	WASHER
37		1	5/16 LOCKWASHER
38	388 455	1	STUD
39	391 089	1	PAD HOLDER ASSY
40	388 450	1	CENTERING CUP
41	391 033	1	DUST CONTROL ASSY
42	391 021	1	DRIVE UNIT ASSY



CONTROL HANDLE

Item	Part No.	Qty	Description
1	391070	1	Handle Assembly
2	391071	1	Handle
3	386793	1	Shunt
4	207075	1	Main Switch
5	016112	1	Main Switch Decal
6	391125	1	Mercury Switch
7	385747	1	Nut Plate
8	388019	1	Switch
9	388164	1	Tube
10	234079	1	Screw
11	328790	1	Spring
12	002591	1	#8-32 x 7/8 Screw
13	388545	2	Grip
14	002010	7	Nut
15	002043	7	Screw
16	001979	2	Screw
17	391082	1	Adjustment Plate
18	001833	1	Screw
19	391115	1	Bearing Block
20	391113	1	Flange Bearing
21	471220	1	Bushing
22	391079	1	Lever
23	368970	2	Bearing
24	391075	1	Plate
25	321427	1	Retaining Ring
26	379298	2	Bushing
27	001861	2	Screw
28	001976	1	Nut
29	391076	1	Adjuster
30	372129	4	Spring
31	391129	1	Bushing
32	391083	1	Lift Rod
33	367206	1	Bushing
34	395450	1	Solenoid
35	150274	1	Stud
36	156376	2	Grommet
37	469858	1	Stand-Off
38	448119	1	Spring



WIRING DIAGRAM

#	PART NO.	Q	DESCRIPTION
1	388 013	3	BATTERY
2	386 967	2	CABLE ASSEMBLY
3	391 126	1	PLUG ASSEMBLY
4	469 858	3	STANDOFF
5	388 406	1	CABLE
6	388 408	1	CABLE
7	391 020	1	MOTOR
8	448 677	1	BATTERY METER
9	395 404	1	RESISTOR
10	467 410	1	LIGHT
11	391 109	1	WIRE HARNESS
12	389 527	1	AMMETER
13	180 275	1	CIRCUIT BREAKER 15A
14	395 450	1	SOLENOID
15	388 019	1	SWITCH
16	388 167	1	SWITCH
17	207 071	1	SWITCH
18	388 025	1	CIRCUIT BREAKER 60A
19	386 793	1	SHUNT
20	386 967	1	CABLE
21	388 412	1	CABLE
22	391 127	1	PLUG ASSEMBLY
23	372 637	6	BATTERY BOOT
24	025 174	1	BREAKER DECAL
25	372 858	1	OFFSET WASHER
26	372 862	1	FLAT WASHER
27	016 112	1	SWITCH DECAL

SEE TSB 444, G-7