

PARTS LIST

WHIRLAMATIC

MODEL W1000B AFTER S.N. 014039

MODEL 2000 AFTER S.N. 930534

FORM NO. 042111

JULY 1984



© 1984 Advance Machine Company, Spring Park, MN 55384-0275

ADVANCE
MACHINE COMPANY

INTERNATIONAL HEADQUARTERS, Spring Park, Minnesota 55384-0275

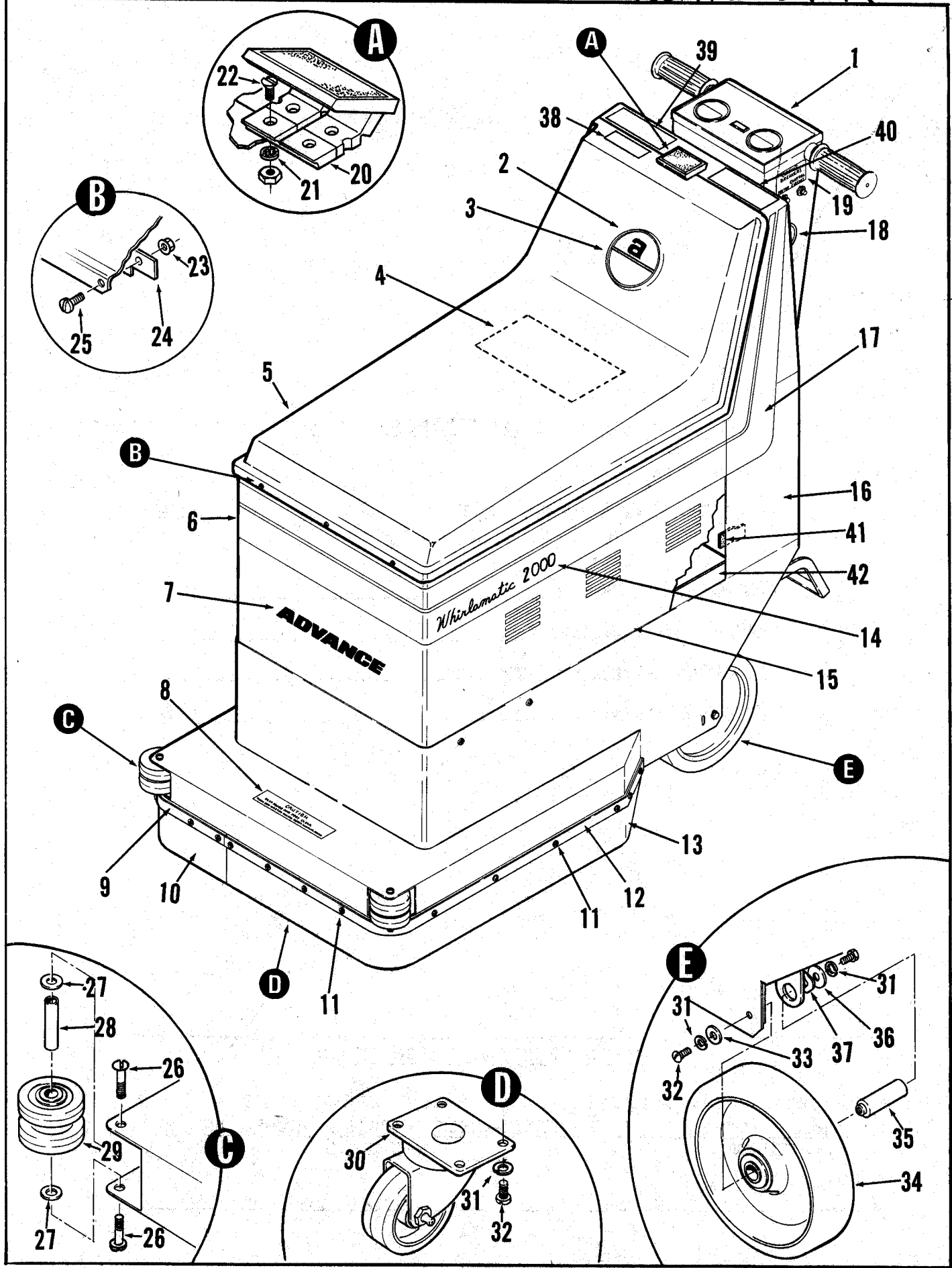
EUROPE, 4 Rue Jean Engling, L-1466 Luxembourg

CANADA, 1295 Crestlawn Drive, Mississauga, Ontario L4W 1A9



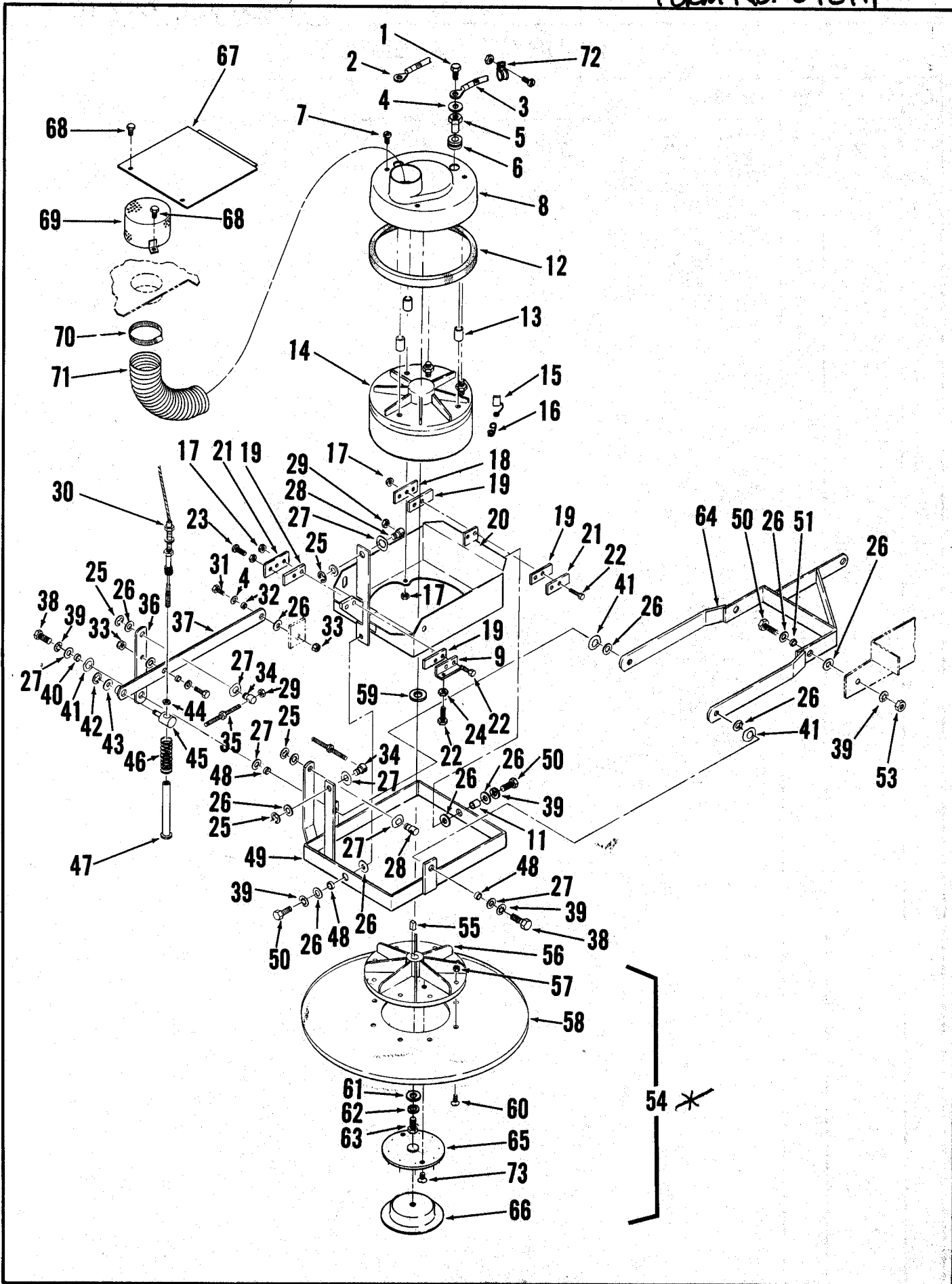
Index for Form Number 042111

Description	Location	page
Control Handle	B5	5
Pad Drive	B3	3
Wheels, Shroud & Chassis	B1	1
Wiring Diagram	B7	7



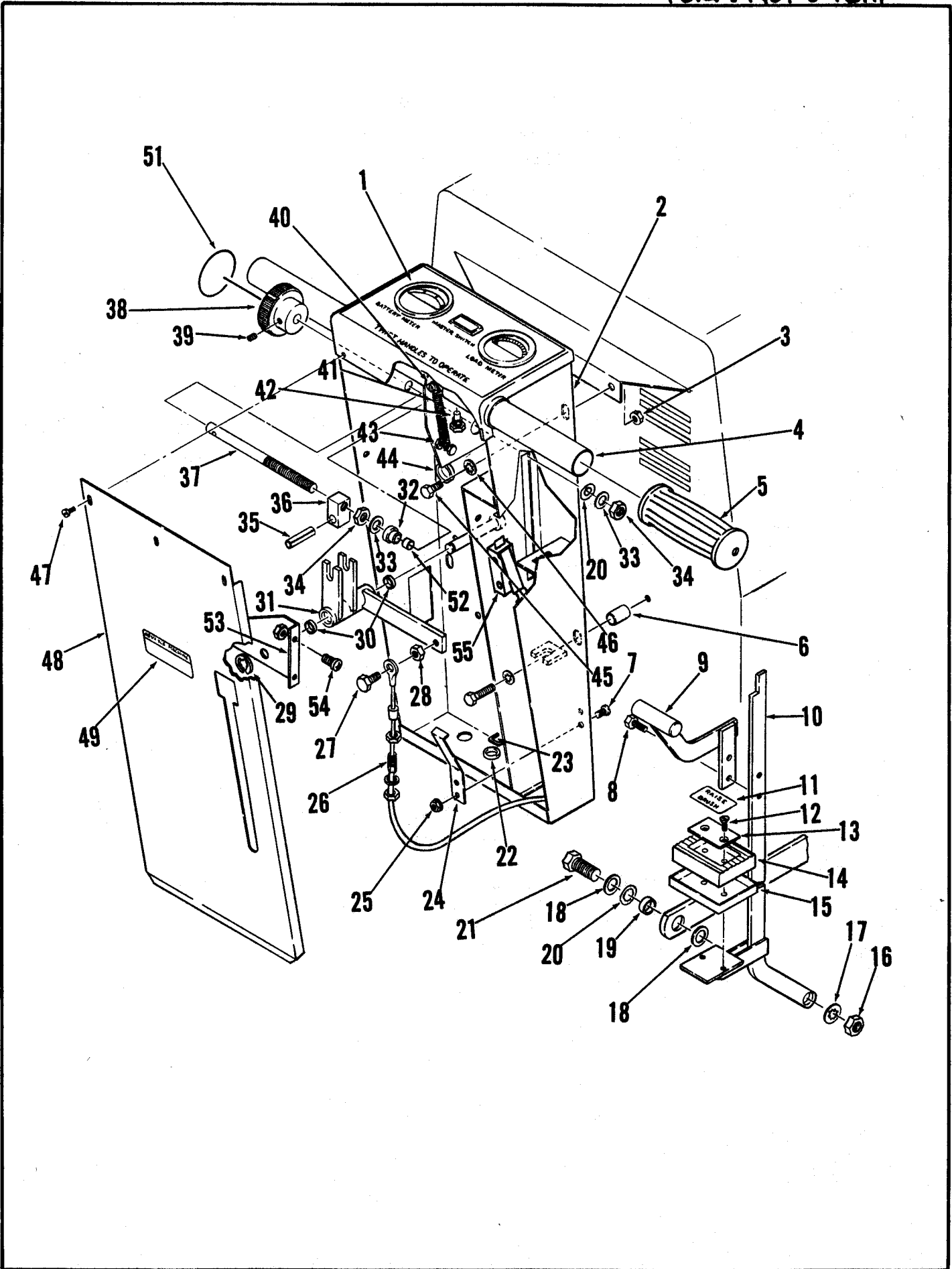
HOUSING ASSEMBLY

ITEM	PART NO	QTY	DESCRIPTION
1	025 258	1	DECAL, CONTROL PANEL
2	016 398	1	EMBLEM, ADVANCE
3	025 166	1	DECAL, INSERT 1000
	025 262	1	DECAL, INSERT 2000
4	025 292	1	DECAL, WIRING 1000
	025 256	1	DECAL WIRING 2000
5	388 396	1	SHROUD
6	025 135	1	DECAL, STRIPE
7	016 519	1	DECAL, ADVANCE
8	016 106	1	DECAL, CAUTION
9	388 398	1	STRAP, RIGHT
10	388 402	1	BLADE, RIGHT
11		20	SCREW PAN HD. #10-24 X 1/2 W/WHIZ NUT
12	388 400	1	STRAP, LEFT
13	388 404	1	BLADE, LEFT
14	025 176	1	DECAL, WHIRLAMATIC 1000
	025 260	1	DECAL, WHIRLAMATIC 2000
15	388 139	1	HOUSING, BATTERY
16	388 050	1	CHASSIS, MAIN
17	025 252	1	STRIPE, LEFT
	025 250	1	STRIPE, RIGHT
18	025 254	1	DECAL, PAD PRESSURE
19	025 174	1	DECAL, BREAKER
20	388 546	1	LATCH
21		4	WASHER, #6 SHAKEPROOF
22		4	SCREW, #6-32 X 1/2 FLAT HD. W/HEX NUT
23		23	NUT, WHIZ #10-24
24	386 760	1	BRACKET
25		3	SCREW, PAN HD. #10-24 X 3/8
26		4	SCREW, ROUND HD. 1/4-20 X 1/2
27	371 009	4	WASHER
28	386 823	2	BUSHING
29	363 855	4	WHEEL, BUMPER 2.50 X .812
30	206 725	1	CASTER, SWIVEL 3.5 X 1.1
31		8	WASHER, LOCK 1/4
32		4	SCREW, HEX HD. 1/4-20 X 1/2
33		2	WASHER, FLAT 1/4
34	377 945	2	WHEEL 8.00 X 1.62
35	382 035	2	AXLE
36	151 114	2	WASHER, .26 X .90 X .06
37	155 373	2	WASHER, .51 SPRING
38	025 266	1	DECAL, WARNING
39	025 272	1	DECAL, SPANISH
40	025 270	1	DECAL, WARNING
41	200 754	6"	GASKET
42	389 506	1	BATTERY TRAY 1000
	388 140	1	BATTERY TRAY 2000
43	025 363	1	DECAL, CAUTION (NOT SHOWN)
44	389 510	1	STOP, BATTERY TRAY (NOT SHOWN)



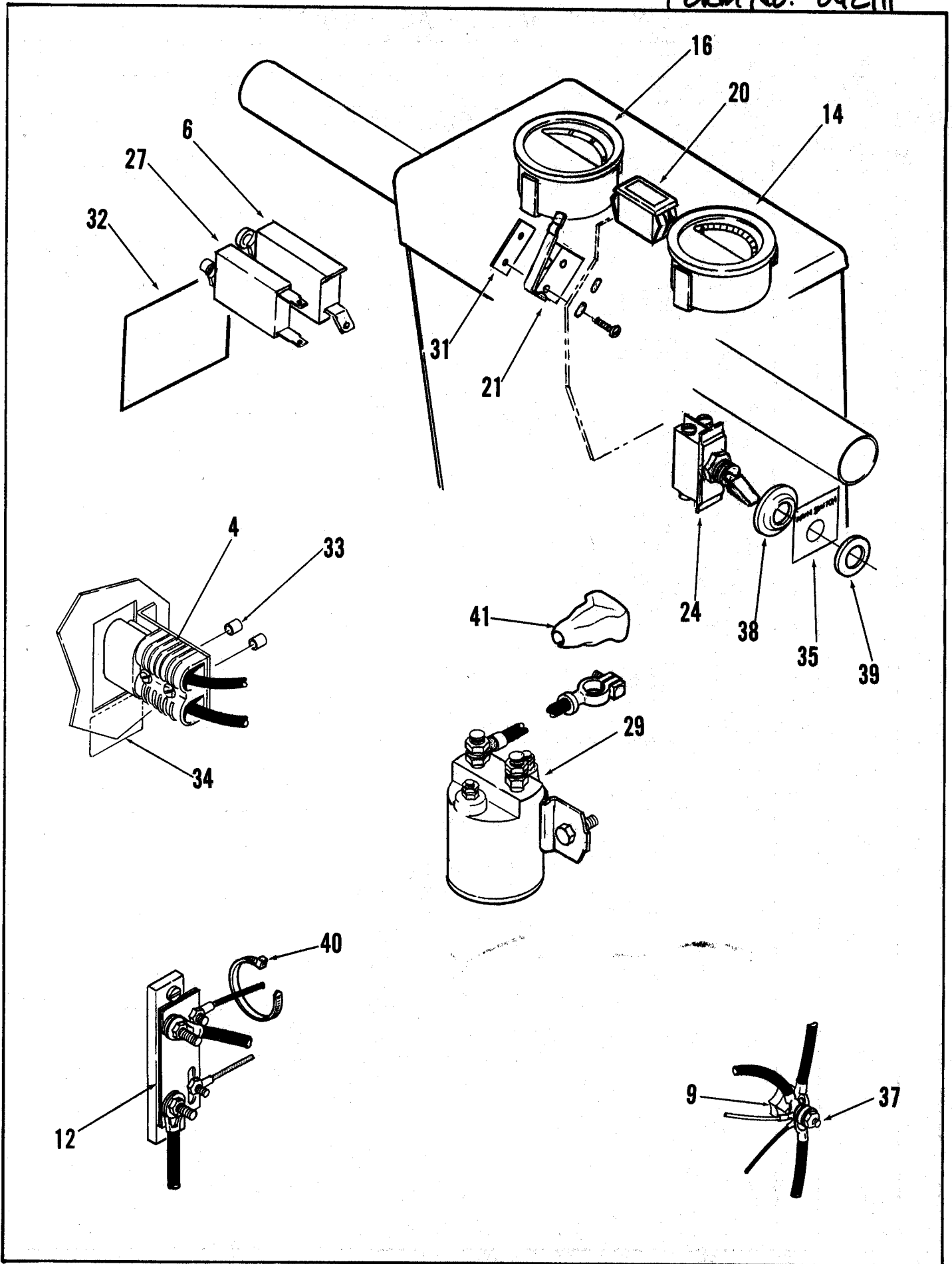
DRIVE UNIT ASSEMBLY

Item	Part No.	Qty	Description	Item	Part No.	Qty	Description
1		2	Screw, 5/16-24 x 1/2	388290		1	Pin, Centering (2000)
2	388406	1	Cable Assembly #6 x 27.00	48	365030	3	Bushing .50 x .26 x .27
3	388408	1	Cable Assembly #6 x 32.50	49	388275	1	Bracket
4		2	Washer, Flat 5/16	50		4	Screw, Hex Head. 1/2-13 x 1
5	386988	2	Stand-Off	51	360627	2	Bushing .50 x .62 x .41
6	760212	2	Grommet	52		2	Washer, Flat 1/2
7		3	Screw, Pan Head #10-24 x 1/2	53		2	Nut, Hex 1/2
8	388234	1	Cover	54	388272	1	Pad Holder Assembly (#55-61)
9	388342	1	Stop				TSB 370 - G8
10	365030	2	Bushing, (not shown)	55	158135	1	Key, Square #10-24
11	367206	1	Bushing, .50 x .62 x .53	56	388261	1	Hub
12	206058	1	Gasket, Motor	57		8	Nut, Whiz #10-24
13	207489	3	Bushing	58	388259	1	Plate 20"
14	386810	1	Motor, 24V D.C. (1000)	59	367192	1	Washer
	388010	1	Motor, 36V D.C. (2000)	60		8	Screw, Flat Head #10-24 x 3/4
	TSB 356 - G10, TSB 310 - G12, TSB 577 - G1			61	180200	1	Washer
15	386813	A/R	Brush, Motor (1 set of 4)	62		1	Washer, Lock 5/16
			TSB 332 - G11	63		1	Screw, Hex Head 5/16-24 x 3/4
16	180146	4	Spring, Motor Brush	64	388310	1	Arm
17		7	Nut, Whiz 1/4-20	65	182056	1	Pad, Grab Base (1000)
18	386160	3	Flat		388214	1	Plate Assembly (2000)
19	386105	4	Strip, Wear	66	182058	1	Pad, Grab Ring (1000)
20	388263	1	Base, Motor		388204	1	Cup (2000)
21	386162	2	Flat	67	387114	1	Cover
22		4	Screw, Hex Head 1/4-20 x 1	68		4	Screw, #10-24 x 1/2 HP-5
23		1	Screw, 1/4-20 x 1-1/2	69	388192	1	Shield
24		1	Nut, Hex 1/4-20	70	352829	2	Clamp, Hose
25	468834	4	Ring, Retaining	71	387392	1	Hose
26	367214	16	Washer .515 x .93 x .07	72	342319	3	Clamp, Cable
27	155373	4	Washer, Spring	73		2	Screw, Flat Head 1/4-20 x 1/2
28	388302	2	Nut, Adjusting Left				
29		2	Nut, Hex 5/16				
30	454150	1	Cable Assembly				
31		1	Screw, Hex Head 5/16-18 x 1				
32	320595	2	Bushing .31 x .50 x .28				
33		2	Nut, Whiz 5/16-18				
34	388304	2	Nut, Adjusting Right				
35	388300	2	Stud, Adjusting				
36	388252	1	Lever				
37	388296	1	Lever, Arm				
38		2	Screw, Hex Head 1/2-13 x 1-1/2				
39		6	Washer, Shakeproof 1/2				
40	382086	5	Bushing				
41	398056	3	Washer, Spring				
42	321427	1	Ring Retaining Ext 3/8				
43		1	Washer, Flat 3/8				
44		1	Nut, Hex #10-24				
45	386663	1	Pin, Truide				
46	372129	1	Spring, Compression				
47	389502	1	Pin, Centering (1000)				

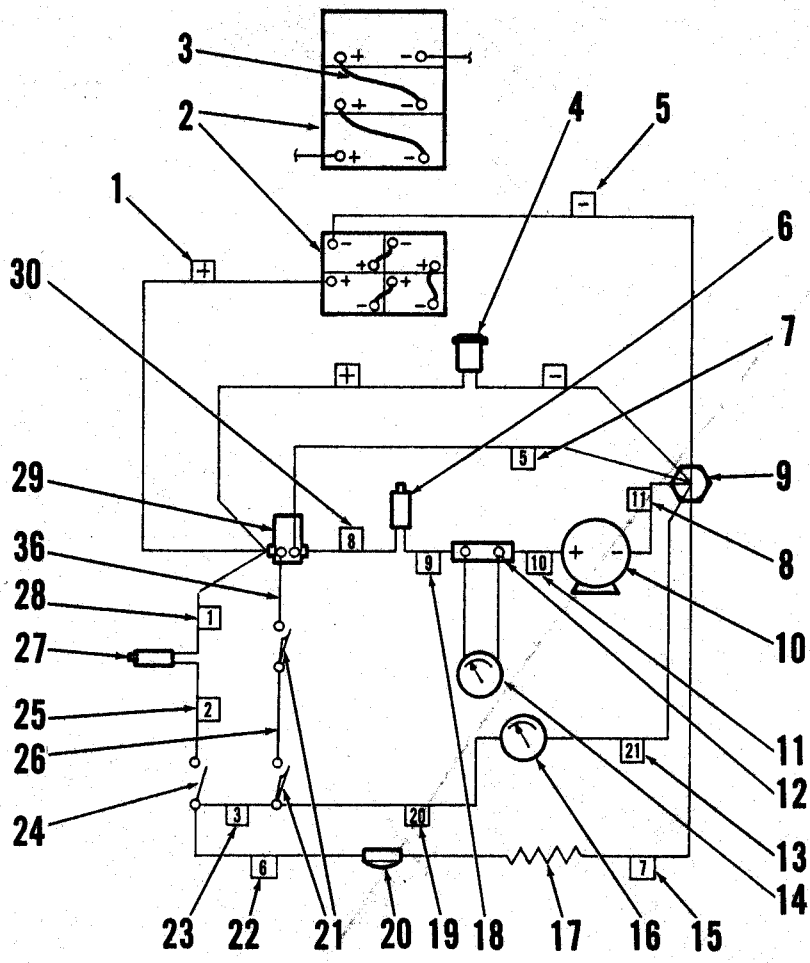


CONTROL HANDLE ASSEMBLY

ITEM	PART NO	QTY	DESCRIPTION
1	025 258	1	DECAL, CONTROL PANEL
2	388 144	1	PANEL, CONTROL
3		2	NUT, WHIZ 1/4-20
4	388 164	1	TUBE, HANDLE
5	388 545	2	GRIP, HANDLE
6	244 859	2	BUSHING .25 X .37 X 1.0
7		2	SCREW, PAN HD. #8-32 X 3/8
8		2	SCREW, HEX HD. 1/4-20 X 3/4 HP5
9	388 180	1	HANDLE
10	388 184	1	PEDAL, FOOT
11	016 281	1	DECAL, BRUSH
12		2	SCREW, FLAT HD. 1/4-20 X 3/4
13	365 081	1	PLATE
14	365 082	1	PAD; RUBBER
15	365 083	1	CUP, PEDAL
16		1	NUT, HEX 1/2-13
17		1	WASHER, SHAKEPROOF 1/2
18	367 214	2	WASHER, FLAT 1/2
19	382 086	1	BUSHING
20	398 056	2	WASHER, SPRING
21		1	SCREW, HEX HD. 1/2-13 X 1"
22	163 007	2	GROMMET 1/2
23	382 817	1	STRAIN RELIEF
24	386 764	1	BRACKET, SPRING
25		2	NUT, WHIZ #8-32
26	454 150	1	CABLE ASSEMBLY (REF.-SEE DRIVE ASSY)
27		1	SCREW, HEX HD. 1/4-20 X 1"
28		1	NUT, HEX 1/4-20
29	321 427	1	RING, RETAINING
30	368 970	2	BEARING, OILITE
31	388 168	1	BRACKET, PIVOT
32	185 264	1	BUSHING, FLANGE
33		2	WASHER, FLAT 3/8
34		2	NUT, HEX 3/8-24
35		1	PIN, SPRING 5/16 X 1 1/4
36	388 188	1	BLOCK
37	388 190	1	ROD, ADJUSTMENT
38	475 480	1	KNOB, ADJUSTMENT
39		1	SET SCREW #10-24 X 3/8
40		1	SCREW, RD. HD. #8-32 X 1/4
41	328 790	1	SPRING, EXTENSION
42	234 079	1	SCREW
43		1	SCREW, RD. HD. #10-24 X 5/8 W/HEX NUT
44	157 376	2	GROMMET .750
45		2	SCREW, HEX HD. 1/4-20 X 1/2
46		2	WASHER, SHAKEPROOF 1/4
47		3	SCREW, #6 SELF-TAPPING
48	385 745	1	PANEL, BACK
49	015 324	1	NAMEPLATE
50	015 325	1	NAMEPLATE OVERLAY (NOT SHOWN)
51	025 254	1	DECAL, PAD PRESSURE
52	388 326	1	BUSHING
53	388 332	1	PLATE
54		3	#10-24 X 1/2 PH/L HD SCREW W/NUT
55	388 019	2	SWITCH, SNAP SPST NC



WIRING DIAGRAM



ITEM	PART NO	QTY	DESCRIPTION	ITEM	PART NO	QTY	DESCRIPTION
1	386 975	1	CABLE ASSEMBLY #4 X 29.50	27	454 538	1	BREAKER, CIRCUIT 15A
2	376 014	4	BATTERY 6V (OPTIONAL, 1000)	28	388 414	1	WIRE ASSEMBLY #14 X 12.00
	388 012	3	BATTERY 12V 140 AH (OPTIONAL, 2000)	29	468 358	1	CONTACTOR 24V (1000)
	388 013	3	BATTERY 12V 180 AH (OPTIONAL, 2000)		395 450	1	CONTACTOR 36V (2000)
3	363 936	2	CABLE ASSEMBLY, BATTERY 4 X 15	30	386 967	1	CABLE ASSEMBLY #6 X 8.00
4	386 868	1	PLUG ASSEMBLY, CHARGER (1000)	31	385 747	1	PLATE, NUT
	386 963	1	PLUG ASSEMBLY, CHARGER (2000)	32	025 174	1	DECAL, CIRCUIT BREAKER
5	386 973	1	CABLE ASSEMBLY #4 X 31.50	33	475 411	2	BUSHING .25 X .37 X .48
6	386 725	1	BREAKER, CIRCUIT 50A (1000)	34	054 192	1	DECAL, CHARGER PLUG
	388 015	1	BREAKER, CIRCUIT 60A (2000)	35	016 112	1	DECAL, MAIN SWITCH
7	386 951	1	WIRE ASSEMBLY #14 X 9.5	36	755 600	1	WIRE ASSEMBLY #14 X 13.00
8	388 406	1	CABLE ASSEMBLY #6 X 27.00	37	105 274	1	STUD
9	469 858	1	STANDOFF, INSULATED	38	372 858	1	WASHER, OFFSET
10	386 810	1	MOTOR 24V D.C. (1000)	39	372 862	1	WASHER, FLAT
	388 010	1	MOTOR 36V D.C. (2000)	40	478 246	11	CABLE TIE
11	388 408	1	CABLE ASSEMBLY #6 X 31.50	41	372 637	8	BOOT, BATTERY POST (6 ON 2000)
12	386 793	1	SHUNT				
13	388 418	1	WIRE ASSEMBLY #14 X 22				
14	389 526	1	AMMETER				
15	386 945	1	WIRE ASSEMBLY #14 X 19				
16	389 508	1	METER, BATTERY COND. (1000)				
	448 662	1	METER, BATTERY COND. (2000)				
17	395 404	1	RESISTOR (2000 ONLY)				
18	388 412	1	CABLE ASSEMBLY #6 X 10.00				
19	388 416	1	WIRE ASSEMBLY #14 X 6.00				
20	467 410	1	LIGHT INDICATOR				
21	388 019	2	SWITCH, SNAP SPST NC				
22	386 957	1	WIRE ASSEMBLY #14 X 9.75				
23	386 955	1	WIRE ASSEMBLY #14 X 8				
24	207 075	1	SWITCH, MAIN				
25	386 961	1	WIRE ASSEMBLY #14 X 6.50				
26	388 242	1	WIRE ASSEMBLY #14 X 19				



**Nilfisk
Advance**

setting standards

Nilfisk-Advance, Inc.

14600 21st Avenue North

Plymouth, MN, 55447-3408

www.nilfisk-advance.com

Phone: 800-989-2235

Fax: 800-989-6566

©2001 Nilfisk-Advance, Inc.,

Plymouth, MN 55447-3408

Printed in the U.S.A.