

# WHIRLAMATIC MODEL 2000B-D

THIS PARTS LIST IS FOR MACHINES  
AFTER SERIAL NUMBER 284418.

# PARTS LIST



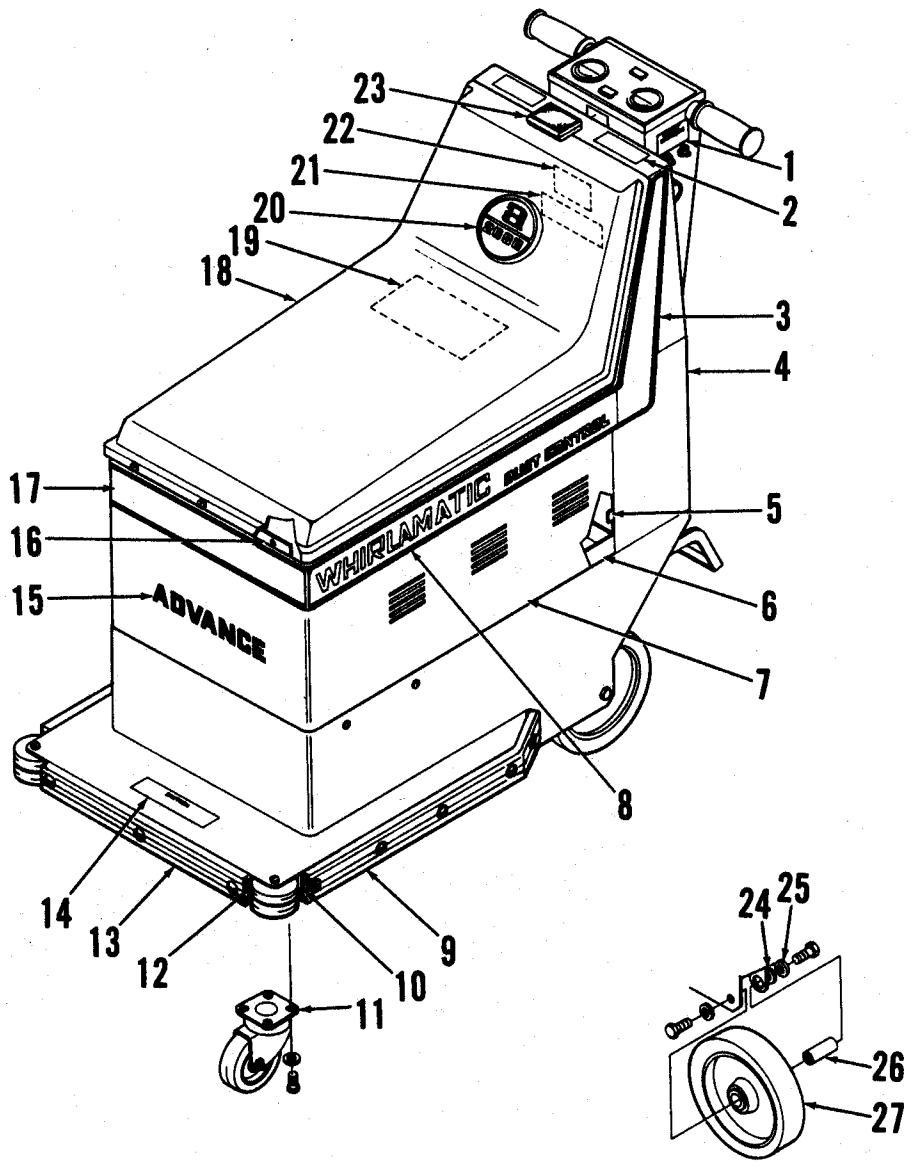
**ADVANCE**  
MACHINE COMPANY

INTERNATIONAL HEADQUARTERS, Plymouth, MN 55447-3408  
EUROPE, Llantrisant, Pontyclun, Mid-Glamorgan CF7 8YZ Wales, United Kingdom  
CANADA, 1295 Crestlawn Drive, Mississauga, Ontario L4W 1A9



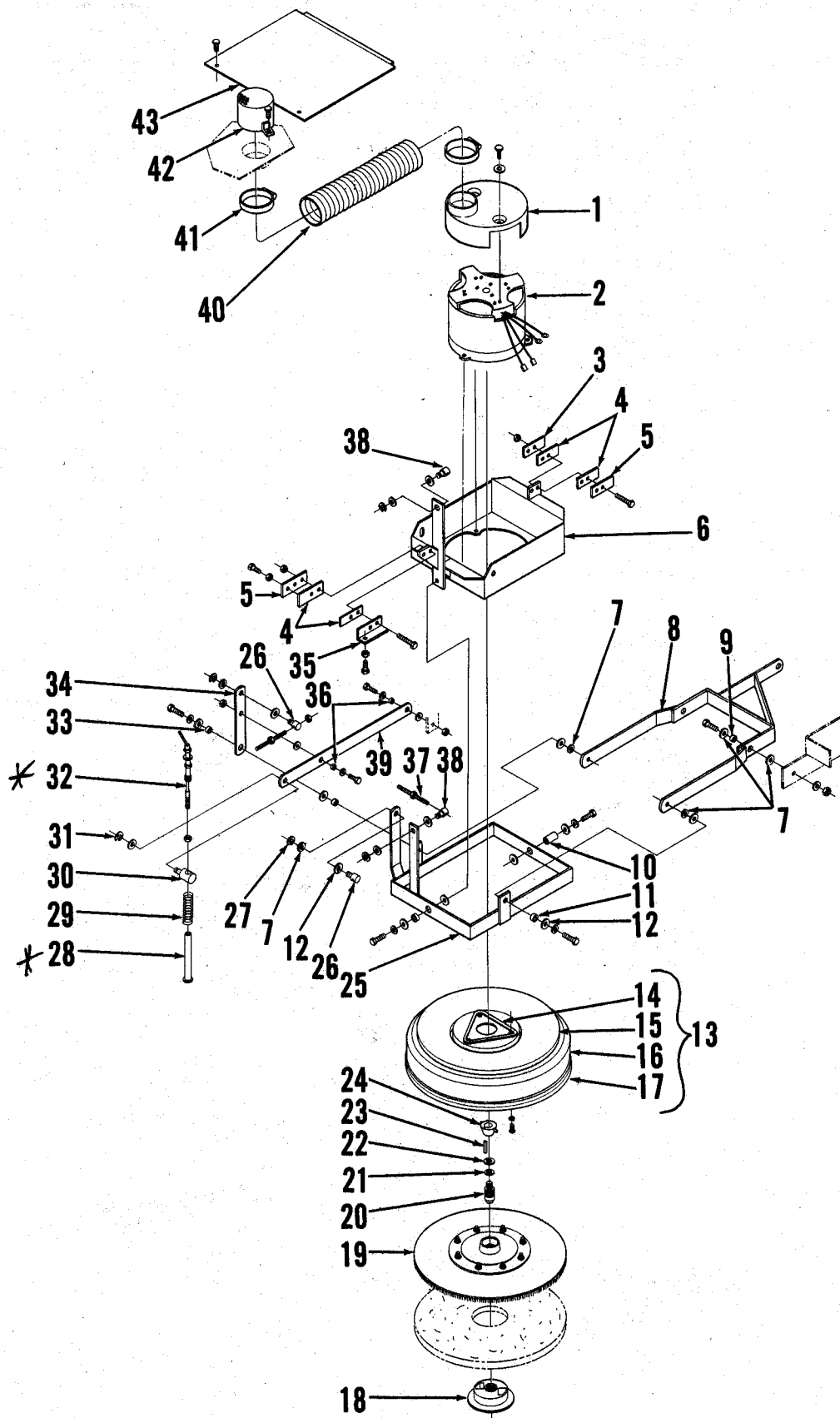
## Index for Form Number 042175

<b>Description</b>	<b>Location</b>	<b>page</b>
Control Handle	C1	5
Pad Drive	B12	3
Wheels, Shroud & Chassis	B10	1
Wiring Diagram & Accessories	C3	7



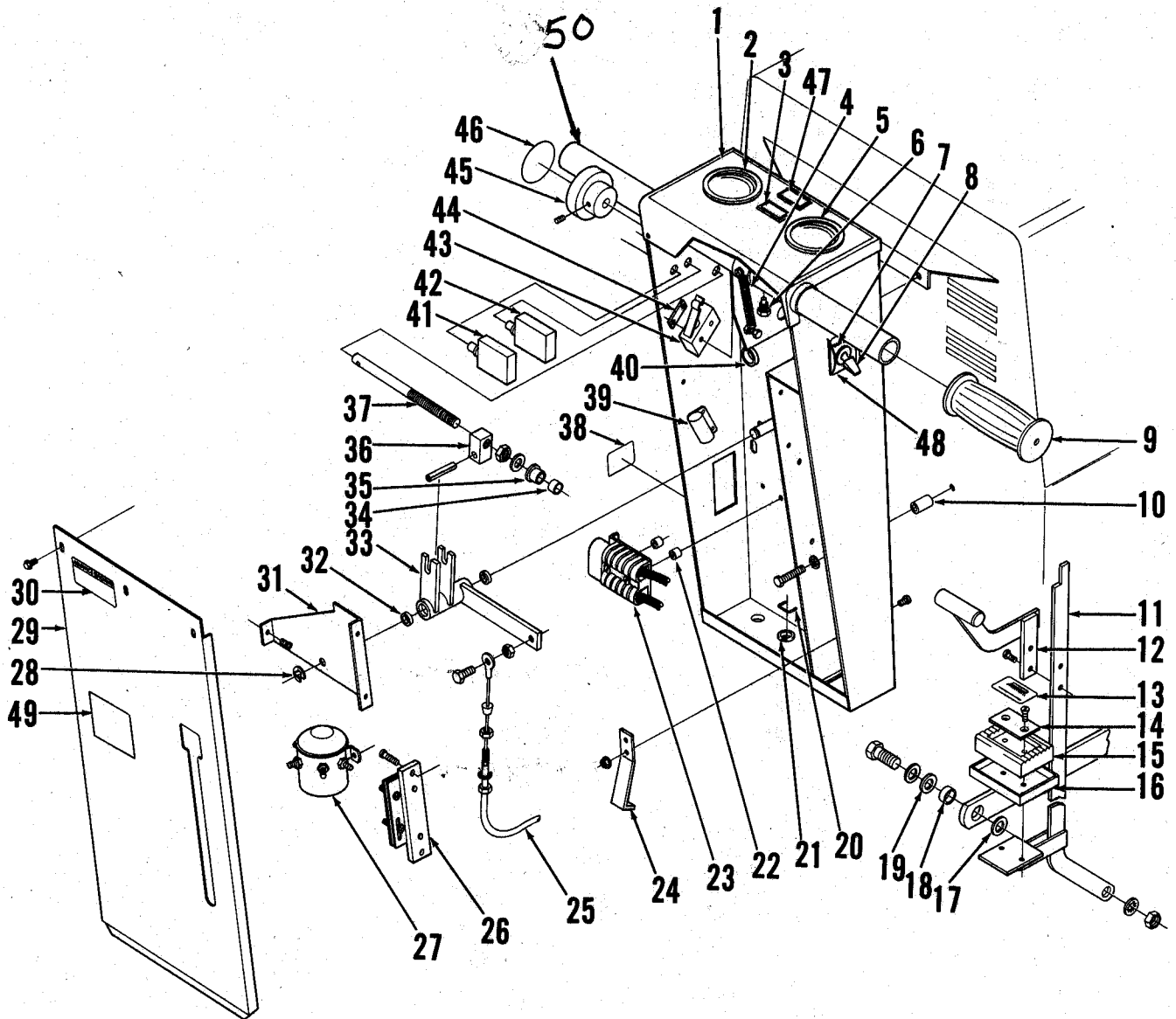
## HOUSING ASSEMBLY

I	PART #	QTY	DESCRIPTION
1	025174	1	DECAL, CIRCUIT BREAKERS
2	025296	1	DECAL, SPANISH
3	014110	1	DECAL, LEFT STRIPE
	014109	1	DECAL, RIGHT STRIPE
4	389410	1	MAIN CHASSIS
5	200754	2	GASKET
6	388140	1	BATTERY TRAY
7	389457	1	BATTERY HOUSING
8	014118	1	DECAL, LEFT SIDE
	014115	1	DECAL, RIGHT SIDE
9	391101	2	BUMPER
10	391102	2	BUMPER STRAP
11	206725	2	CASTER
12	391104	1	BUMPER STRAP
13	391103	1	FRONT BUMPER
14	016106	1	DECAL, CAUTION
15	014046	1	DECAL, ADVANCE
16	386760	1	BRACKET
17	014041	1	DECAL, STRIPE
18	389459	1	SHROUD
19	014165	1	DECAL, WIRING
20	014120	1	EMBLEM
21	025363	1	DECAL, CAUTION
22	025364	1	DECAL, CABLE ROUTE
23	389454	1	LATCH
24	155373	2	WASHER
25	151114	4	WASHER
26	382035	2	AXLE
27	377945	2	WHEEL
28	371009	4	WASHER
29	386823	2	BUSHING
30	363855	2	BUMPER WHEEL



## PAD DRIVE ASSEMBLY

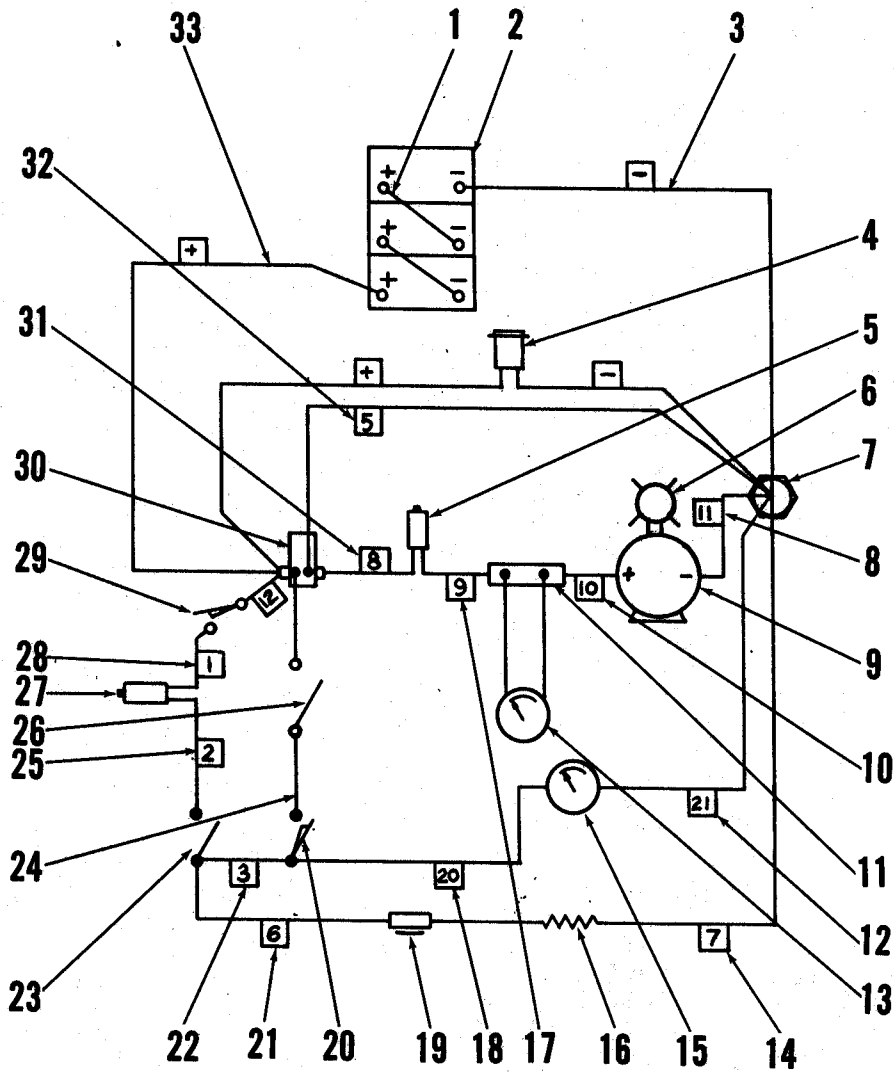
I	PART #	QTY	DESCRIPTION
1	389451	1	COVER
2	389420	1	MOTOR
	389371	1	CARBON BRUSHES (set of 4)
	389395	1	CARBON BRUSH SPRINGS (set of 4)
3	386160	1	FLAT
4	386105	4	WEAR STRIP
5	386162	2	FLAT
6	388263	1	MOTOR BASE
7	367214	13	WASHER
8	388310	1	ARM
9	360627	2	BUSHING
10	367206	1	BUSHING
11	365030	3	BUSHING
12	155373	8	WASHER
13	389429	1	DUST CONTROL ASSY
14	200754	1	GASKET
15	389437	1	FOAM
16	389428	1	SHROUD DUST
17	389427	1	EDGING ASSY
18	388111	1	CUP WELDMENT
19	389440	1	PAD HOLDER ASSY
20	388455	1	STUD
21	180200	1	WASHER
22	367192	1	WASHER
23	158135	1	KEY
24	391093	1	DRIVER
25	388275	1	BRACKET
26	388302	2	LEFT ADJUSTING NUT
27	468834	4	RETAINING RING
28	388290	1	CENTERING PIN TSB 498, G-5
29	372129	1	SPRING
30	386663	1	PIN
31	321427	1	RETAINING RING
32	454150	1	CABLE ASSY TSB 498, G-5
33	382086	2	BUSHING
34	388252	1	LEVER
35	388342	1	STOP
36	320595	2	BUSHING
37	388300	2	ADJUSTING STUD
38	388304	2	RIGHT ADJUSTING NUT
39	388296	1	LEVER
40	387392	1	HOSE
41	352829	2	HOSE CLAMP
42	388192	1	SHIELD
43	389456	1	COVER



## CONTROL HANDLE ASSEMBLY

I	PART #	QTY	DESCRIPTION
1	014063	1	DECAL, CONTROL PANEL
	389431	1	CONTROL HANDLE
2	448677	1	BATTERY CONDITION METER
3	389434	1	GREEN INDICATOR LIGHT
4	328790	1	SPRING
5	391132	1	LOAD METER
6	234079	1	SCREW
7	014016	1	DECAL, ON-OFF
8	207071	1	MAIN SWITCH
9	388545	2	HANDLE GRIP
10	244859	2	BUSHING
11	388184	1	FOOT PEDAL
12	388180	1	HANDLE
13	016281	1	DECAL, BRUSH
14	365081	1	PLATE
15	365082	1	RUBBER PLATE
16	365083	1	PEDAL CUP
17	367214	2	WASHER
18	382086	1	BUSHING
19	398056	2	SPRING WASHER
20	162981	2	STRAIN RELIEF
21	163007	2	GROMMET
22	475411	2	BUSHING
23	389268	1	CHARGER PLUG ASSY
24	386764	1	SPRING BRACKET
25	454150	1	CABLE ASSY
26	386793	1	SHUNT
27	395450	1	SOLENOID
28	321427	1	RETAINING RING
29	389458	1	BACK PANEL
30	015402	1	NAMEPLATE
31	389455	1	PLATE
32	368970	2	BEARING
33	388168	1	PIVOT BRACKET
34	388326	1	BUSHING
35	185264	1	FLANGE BUSHING
36	388210	1	BLOCK
37	388212	1	ADJUSTMENT KNOB
38	016324	1	DECAL, CHARGER PLUG
39	388163	1	SWITCH
40	157376	2	GROMMET
41	454538	1	CIRCUIT BREAKER
42	454429	1	CIRCUITBREAKER
43	388019	1	SWITCH
44	385747	1	NUT PLATE
45	475480	1	ADJUSTMENT KNOB
46	025259	1	DECAL, PAD PRESSURE
47	389433	1	RED INDICATOR LIGHT
48	200352	1	SWITCH GUARD
49	014018	1	DECAL, GRADE NOTICE
50	288164	1	HANDLE TUBE





## WIRING DIAGRAM

I	PART #	QTY	DESCRIPTION
	014165	1	DECAL, WIRING
1	363936	2	BATTERY CABLE
2	388012	3	BATTERY, 12V-140 AMP HOUR *
	388013	3	BATTERY, 12V-180 AMP HOUR *
3	386973	1	CABLE ASSY
4	386963	1	CHARGER PLUG
5	454429	1	CIRCUIT BREAKER
6	389433	1	RED LIGHT INDICATOR
7	469858	1	INSULATED STAND-OFF
8	388406	1	CABLE ASSY
9	389420	1	MOTOR, 36V
10	388408	1	CABLE ASSY
11	386793	1	SHUNT
12	388418	1	WIRE ASSY
13	391132	1	AMMETER
14	386945	1	WIRE ASSY
15	448677	1	BATTERY CONDITION METER
16	395404	1	RESISTOR
17	388412	1	CABLE ASSY
18	388416	1	WIRE ASSY
19	389434	1	GREEN INDICATOR LIGHT
20	388019	1	SWITCH
21	386957	1	WIRE ASSY
22	386955	1	WIRE ASSY
23	207071	1	SWITCH
24	388242	1	WIRE ASSY
25	386961	1	WIRE ASSY
26	388163	1	SWITCH
27	454538	1	CIRCUIT BREAKER
28	388414	1	WIRE ASSY
29	376435	1	INTERLOCK SWITCH
30	395450	1	SOLENOID
31	386967	1	CABLE ASSY
32	386951	1	WIRE ASSY
33	386975	1	CABLE ASSY

\* BATTERIES NOT INCLUDED

OPTIONAL PARTS AND ACCESSORIES

372955	1	SEMI-AUTOMATIC BATTERY CHARGER
372974	1	AUTOMATIC BATTERY CHARGER
505550	1	SOFT FINISH (TAMPICO) BURNISHING BRUSH
505551	1	HARD FINISH (UNION MIX) BURNISHING BRUSH