

Whirlamatic™ 2000B-W

PARTS LIST **Advance MODEL 56389402(OBSOLETE)**



Nilfisk
Advance
setting standards

12/93 revised 3/01 Form Number 56042283

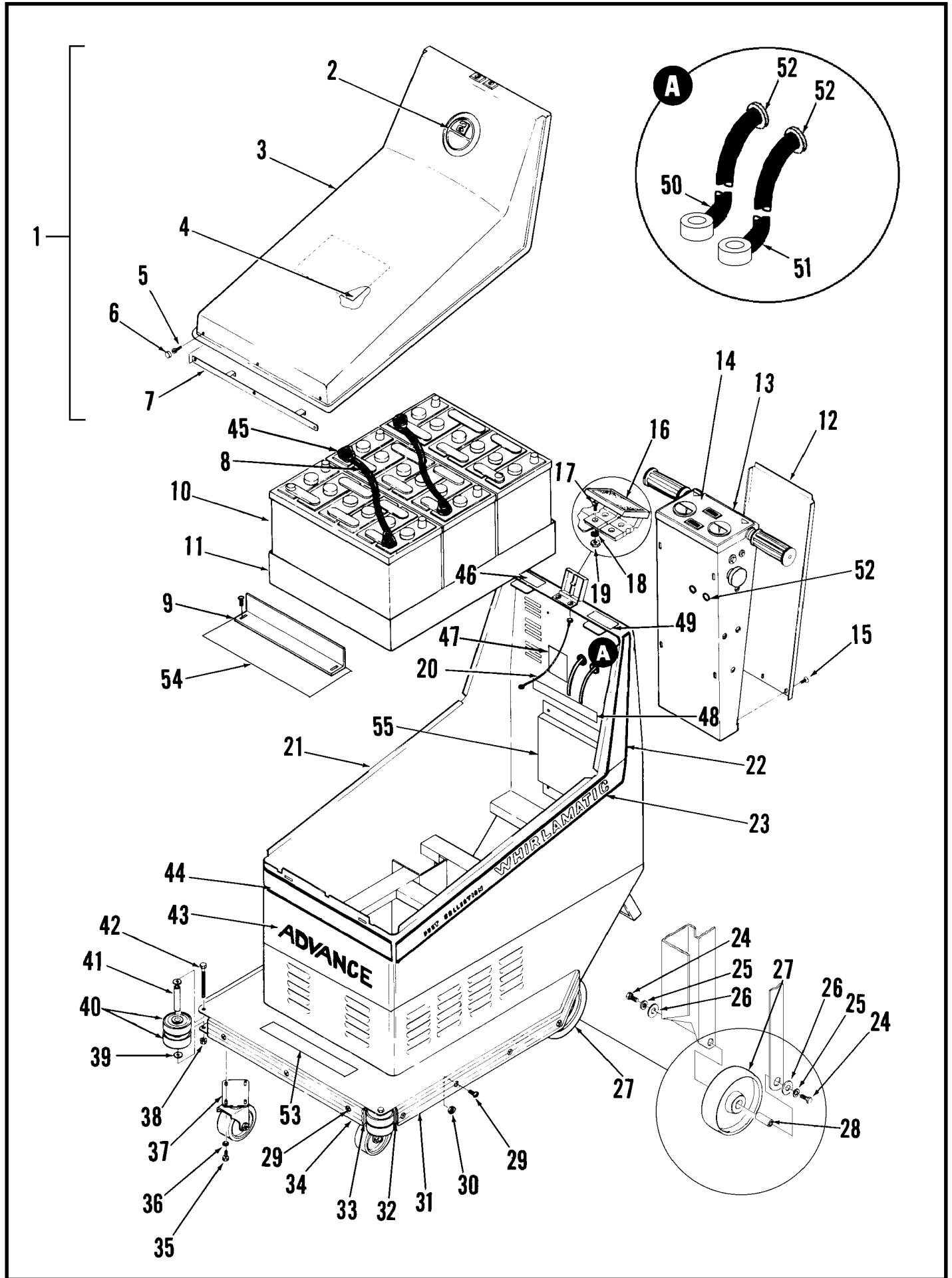
TABLE OF CONTENTS

DESCRIPTION	PAGE
Housing Assembly	1-2
Control Handle Assembly	3-4
Drive Unit & Dust Control	5-6
Wiring Diagram	7-8
Optional Parts & Accessories	8

WHEN ORDERING PARTS

- * Use the 8 digit numbers from the "Part No." columns in this parts list.
- * Specify the model and serial number of the machine.
- * Use the space below to record the model and serial number for future reference.

Model _____ Serial No. _____

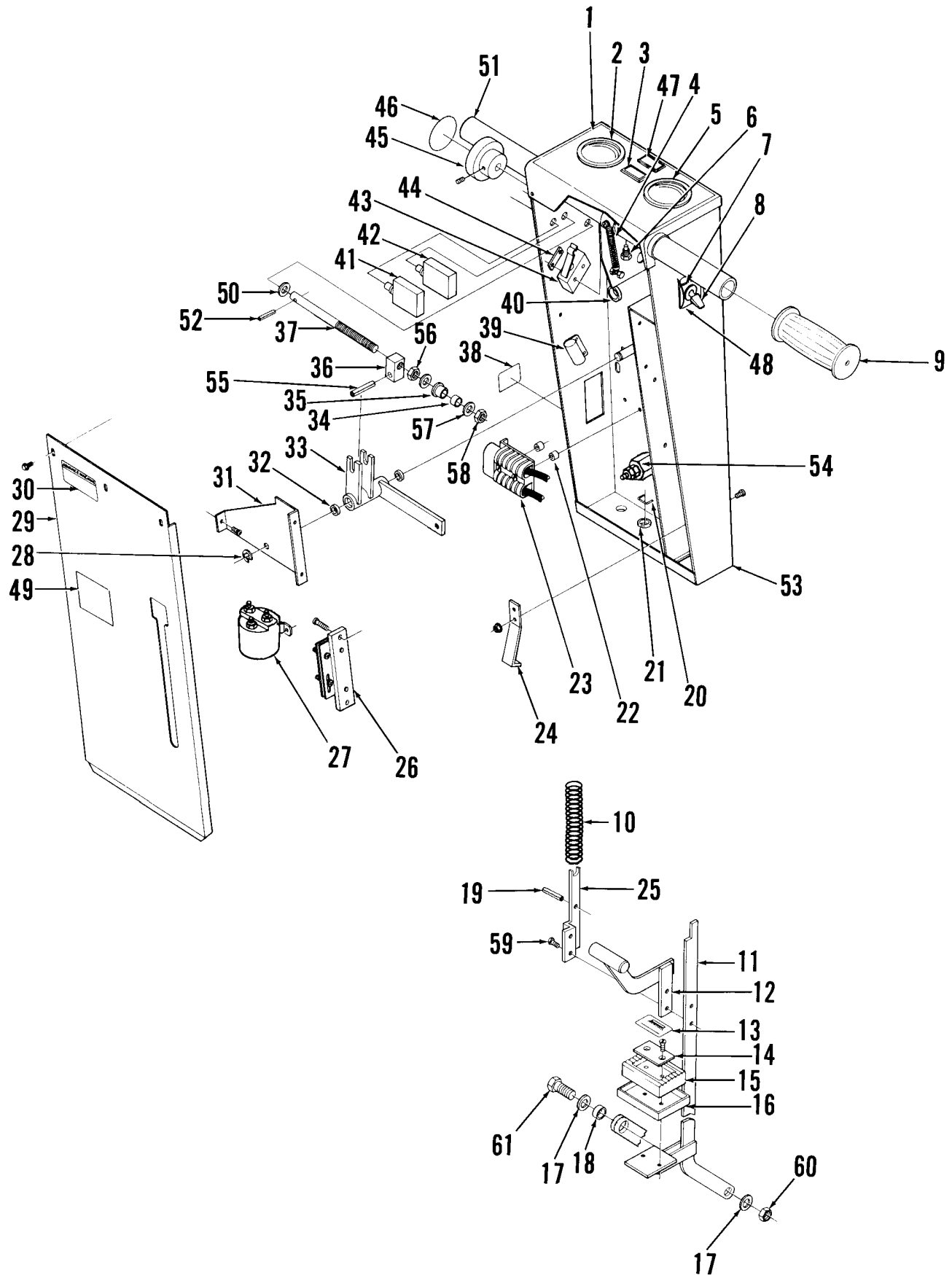


HOUSING ASSEMBLY

Item	Part No.	Qty	Description	Item	Part No.	Qty	Description
1	56389414	1	Shroud Assembly (#1-7)	28	56391100	2	Axle
2	56014987	1	Decal, Logo 190	29	56001993	13	#10-24 x 1/2 Screw
3	56391097	1	Shroud	30	56002768	13	#10-24 Nyl Loc Nut
4	56014165	1	Wiring Decal	31	56391101	2	Side Bumper
5	56002043	3	#10-24 x 3/8 Screw	32	56391102	2	Side Bumper Strap
*	56002349	3	#10-24 Nyl Loc Nut	33	56391104	1	Front Bumper Strap
6	56387190	3	Snap Cap	34	56391103	1	Front Bumper
7	56386760	1	Bracket	35	56001862	8	5/16-18 x 1/2 Bolt
8	56363936	2	Battery Cable	36	56002220	8	5/16 Washer
9	56391131	1	Battery Stop	37	56206725	2	Swivel Caster
10	56388013	3	12V Battery (185AH)**	38	56002708	2	1/4-20 Nyl Loc Nut
	56376014	6	6V Battery (244AH/optional)**	39	56371009	4	Washer
11	56388140	1	Battery Tray	40	56363855	4	Bumper Wheel
	56391141	1	Battery Tray Kit for 6V **	41	56386823	2	Bushing
12	56389458	1	Back Panel	42	56001855	2	1/4-20 x 2-1/2 Screw
13	56389419	1	Handle	43	56014046	1	Decal, Advance
14	56014063	1	Decal, Panel	44	56014041	1	Decal, Front Strap
15	56003068	3	#6-32 x 3/8 Screw	45	56372673	6	Battery Post Boot
16	56389454	1	Draw Latch	46	56025294	1	Decal, Warning
17	56002332	4	#6-32 x 5/8 Flt Hd Screw	47	56025264	1	Decal, Cable Routing
18	56002006	4	#6 Flat Washer	48	56025363	1	Decal, Caution
19	56002830	4	#6-32 Nyl Loc Nut	49	56025296	1	Decal, Spanish
20	56261189	1	Rope Assembly	50	56389421	1	Battery Cable
21	56391050	1	Main Chassis	51	56386975	1	Battery Cable
22	56014038	1	Decal, Rear Stripe Left	52	56157376	4	Grommet
	56014037	1	Decal, Rear Stripe Right	53	56016106	1	Decal, Caution
23	56014040	1	Decal, Side Stripe Left	54	56389423	1	Plastic Shield
	56014039	1	Decal, Side Stripe Right	55	56391122	1	Bracket
24	56002513	4	1/4-20 x 1/2 HP-5 Screw	*	56014941	1	Nameplate
25	56151114	4	1/4 Lock Washer				
26	56454626	4	Washer				
27	56391110	2	Wheel				

** = Optional Accessory, not included

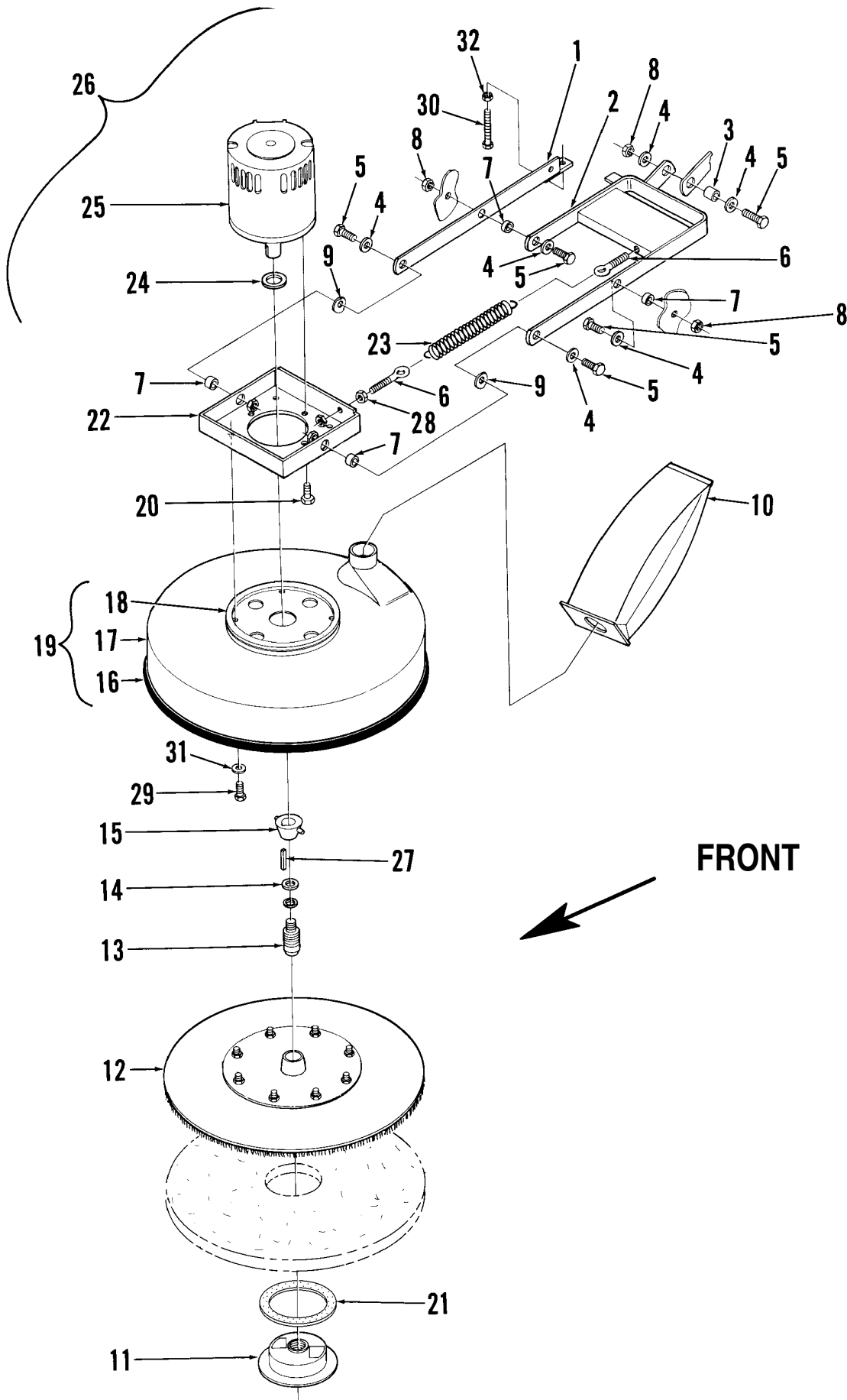
* = Not Shown



CONTROL HANDLE ASSEMBLY

Item	Part No.	Qty	Description	Item	Part No.	Qty	Description
1	56014063	1	Decal, Control Panel	33	56388168	1	Pivot Bracket
2	56448677	1	Battery Condition Meter	34	56388326	1	Bushing
3	56389434	1	Green Indicator Light	35	56185264	1	Flange Bushing
4	56328790	1	Spring	36	56388210	1	Block
5	56391132	1	Load Meter	37	56388212	1	Adjustment Rod
6	56234079	1	Screw	38	56016324	1	Decal, Charger Plug
7	56014016	1	Decal, On-Off	39	56388163	1	Switch
8	56207071	1	Main Switch	40	56157376	2	Grommet
9	56388545	2	Handle Grip	41	56454538	1	Circuit Breaker 15A
10	56372129	1	Spring	42	56454429	1	Circuit Breaker 70A
11	56389438	1	Foot Pedal	43	56388019	1	Switch
12	56388180	1	Handle	44	56376015	1	Nut Plate
13	56016281	1	Decal, Brush	45	56475480	1	Adjustment Knob
14	56365081	1	Plate	46	56014963	1	Decal, Pad Pressure
15	56365082	1	Rubber Plate	47	56389433	1	Red Indicator Light
16	56365083	1	Pedal Cup	48	56200352	1	Switch Guard
17	56367214	2	Washer	49	56014932	1	Decal, Lower Brush
18	56382086	1	Bushing	50	56151068	1	Fibre Washer
19	56002082	1	Spring Pin 3/16 x 1	51	56388164	1	Handle Tube
20	56162981	2	Strain Relief	52	56002474	1	Spring Pin 1/8 x 5/8
21	56163007	2	Grommet	53	56389419	1	Control Handle
22	56475411	2	Bushing	54	56469858	1	Insulated Stand-off
23	56389268	1	Charger Plug Assembly	*	56150274	1	Stud (for 469858)
*	56376435	1	Interlock Switch	55	56469054	1	Spring Pin 1/4 x 3/4
*	56389270	1	Switch Bracket	56	56003015	1	3/8-16 Nut
24	56386764	1	Spring Bracket	57	56002055	2	3/8 Flat Washer
25	56389412	1	Bracket	58	56002769	1	3/8-16 Nyl Loc Nut
26	56386793	1	Shunt	59	56002513	2	1/4-20 x 1/2 HP-5 Screw
27	56395450	1	Solenoid	60	56002770	1	1/2-13 Nyl Loc Nut
28	56321427	1	Retaining Ring	61	56001996	1	1/2-13 x 3/4 Bolt
29	56389458	1	Back Panel				
30	56015402	1	Nameplate				
31	56389455	1	Plate				
32	56368970	2	Bearing				

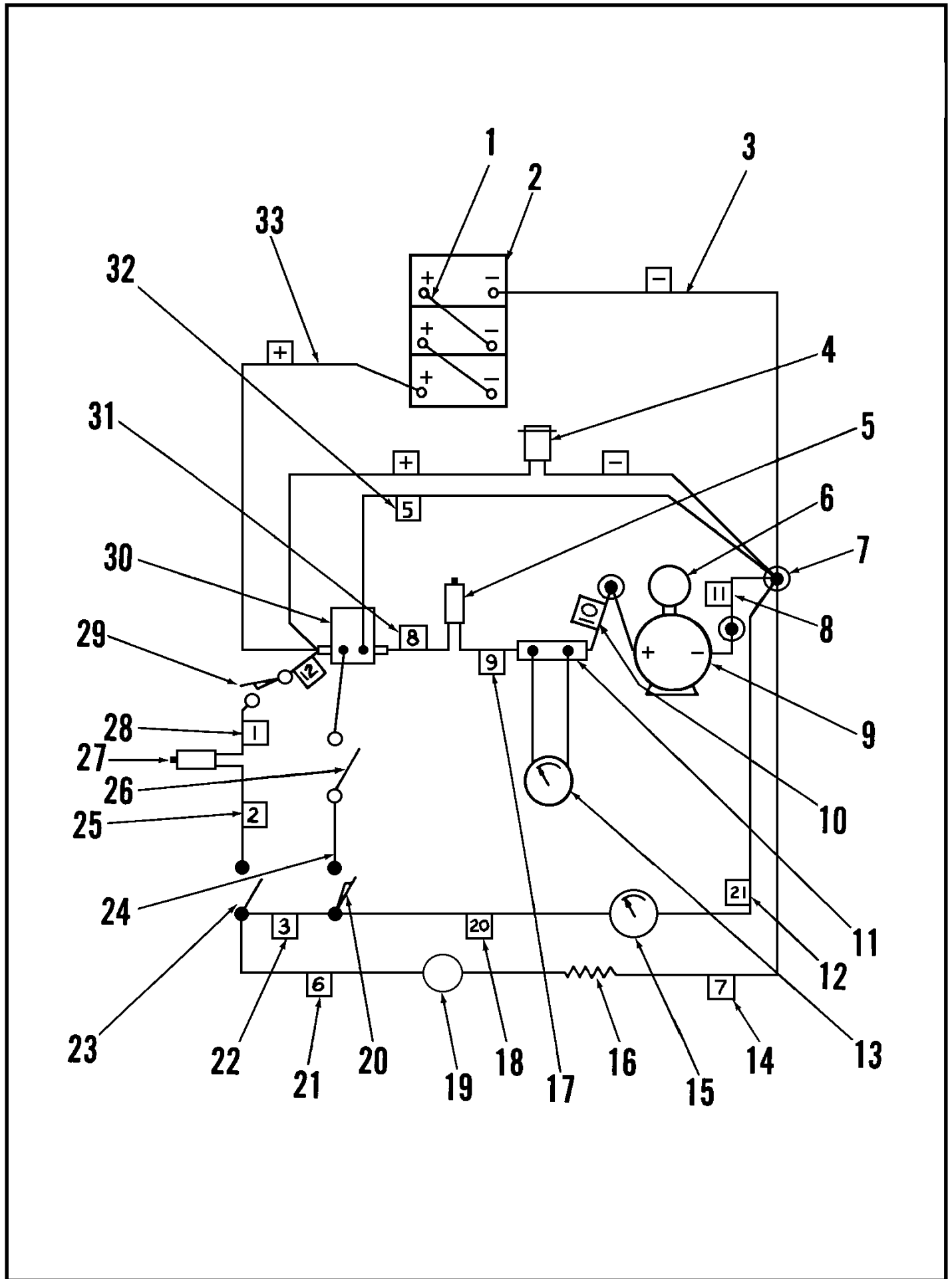
* = Not Shown



DRIVE UNIT AND DUST CONTROL

Item	Part No.	Qty	Description
1	56391028	1	Strap
2	56391025	1	Lift Arm
3	56360627	1	Bushing
4	56367214	6	Washer
5	56001996	5	1/2-13 x 3/4 Bolt
6	56457176	2	Eye Bolt
7	56367206	4	Bushing
8	56002770	5	1/2-13 Nyl Loc Nut
9	56398056	2	Spring Washer
10	56391185	1	Filter Bag (pkg of 6)
11	56388111	1	Centering Cup
12	56389440	1	Pad Holder Assembly
13	56388455	1	Stud
14	56180200	1	Washer
15	56391093	1	Driver Assembly
16	56391172	1	Edging Assembly
17	56391170	1	Dust Shroud
18	56200754	27"	Gasket (70 cm)
19	56100648	1	Dust Control Assembly
20	56002234	4	3/8-16 x 5/8 Bolt
21	56391165	1	Retainer
22	56391155	1	Motor Plate
23	56382000	1	Spring
24	56475280	1	Washer
25	56389422	1	Motor
*	56389371	1	Carbon Brush (Set of 4)
*	56389395	1	Brush Spring (Set of 4)
26	56389417	1	Drive Unit Assembly
27	56158135	1	Key
28	56002040	4	1/4-20 Nut
29	56001861	4	1/4-20 x 3/8 Screw
30	56002426	1	5/16-18 x 2-1/2 Bolt
31	56001906	4	1/4 Flat Washer
32	56002025	1	5/16-18 Nut

* = Not Shown



WIRING DIAGRAM

Item	Part No.	Qty	Description
	56014165	1	Decal, Wiring
1	56363936	2	Battery Cable
2	56388013	3	Battery, 12V-185 Amp Hour **
	56376014	6	Battery 6V-244 Amp Hour ** (optional)
3	56389421	1	Cable Assembly
4	56389268	1	Charger Plug Assembly
5	56454429	1	Circuit Breaker 70A
6	56389433	1	Red Light Indicator
7	56469858	3	Insulated Stand-Off
8	56388406	1	Cable Assembly
9	56389422	1	Motor, 36V
	56389371	1	Carbon Brush (set of 4)
	56389395	1	Carbon Brush Springs (set of 4)
10	56388408	1	Cable Assembly
11	56386793	1	Shunt
12	56388418	1	Wire Assembly
13	56391132	1	Load Meter
14	56386945	1	Wire Assembly
15	56448677	1	Battery Condition Meter
16	56389453	1	Resistor
17	56388412	1	Cable Assembly
18	56388416	1	Wire Assembly
19	56389434	1	Green Indicator Light
20	56388019	1	Switch
21	56386957	1	Wire Assembly
22	56386955	1	Wire Assembly
23	56207071	1	Switch
24	56388242	1	Wire Assembly
25	56386961	1	Wire Assembly
26	56388163	1	Mercury Switch
27	56454538	1	Circuit Breaker 15A
28	56388414	1	Wire Assembly
29	56376435	1	Interlock Switch
30	56395450	1	Solenoid
31	56386967	1	Cable Assembly
32	56386951	1	Wire Assembly
33	56386975	1	Cable Assembly

** Batteries not included

OPTIONAL PARTS AND ACCESSORIES

56372974	1	Automatic Battery Charger 36V / 20Amp
56505550	1	Soft Finish (Tampico) Burnishing Brush
56505551	1	Hard Finish (Union Mix) Burnishing Brush



**Nilfisk
Advance**

setting standards

Nilfisk-Advance, Inc.

14600 21st Avenue North
Plymouth, MN, 55447-3408

www.nilfisk-advance.com

Phone: 800-989-2235

Fax: 800-989-6566

©2001 Nilfisk-Advance, Inc.,
Plymouth, MN 55447-3408

Printed in the U.S.A.