

WHIRLAMATIC

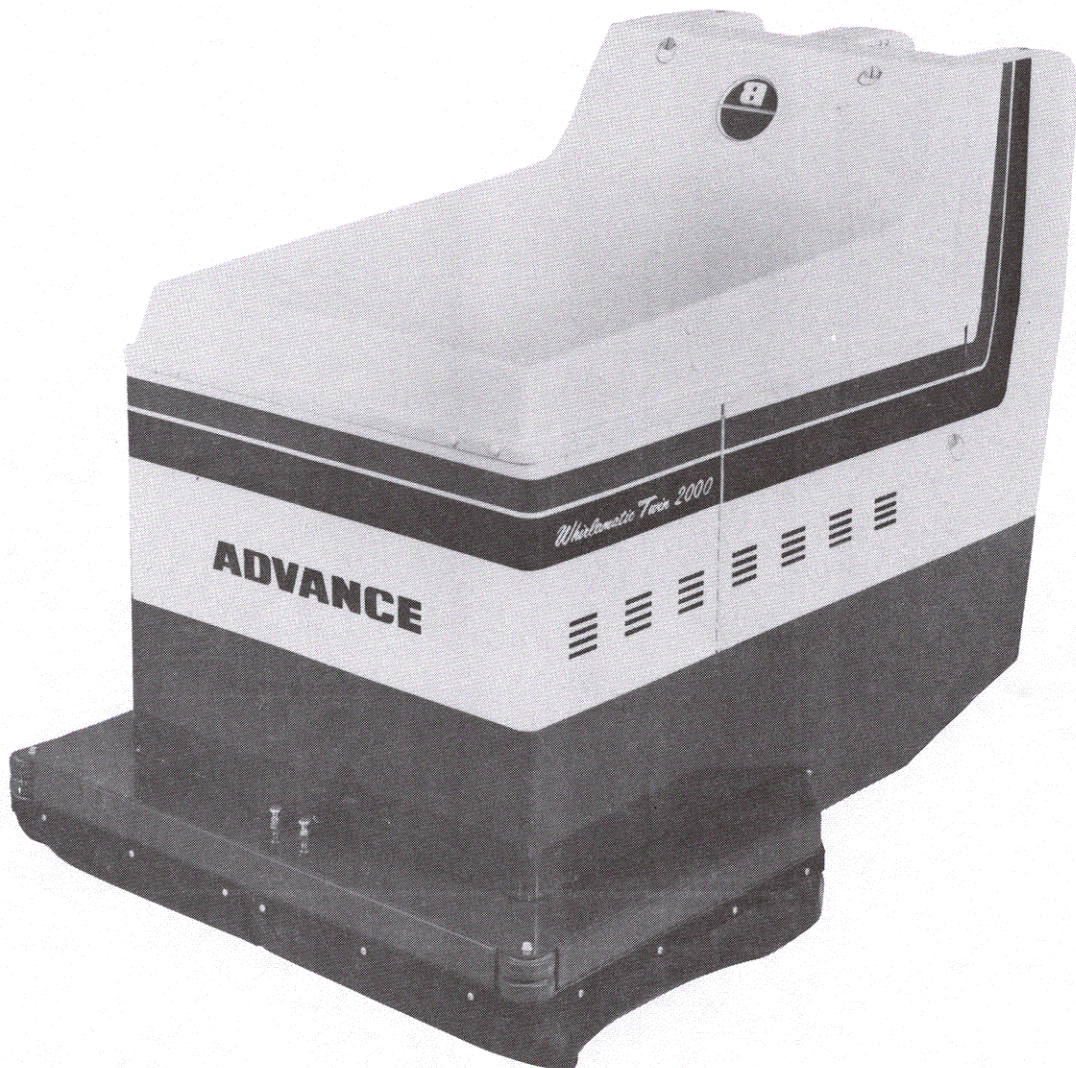
MODEL TWIN 2000

FORM NO. 042 095

SERIAL NO. 995 133

OCTOBER, 1983

PARTS LIST



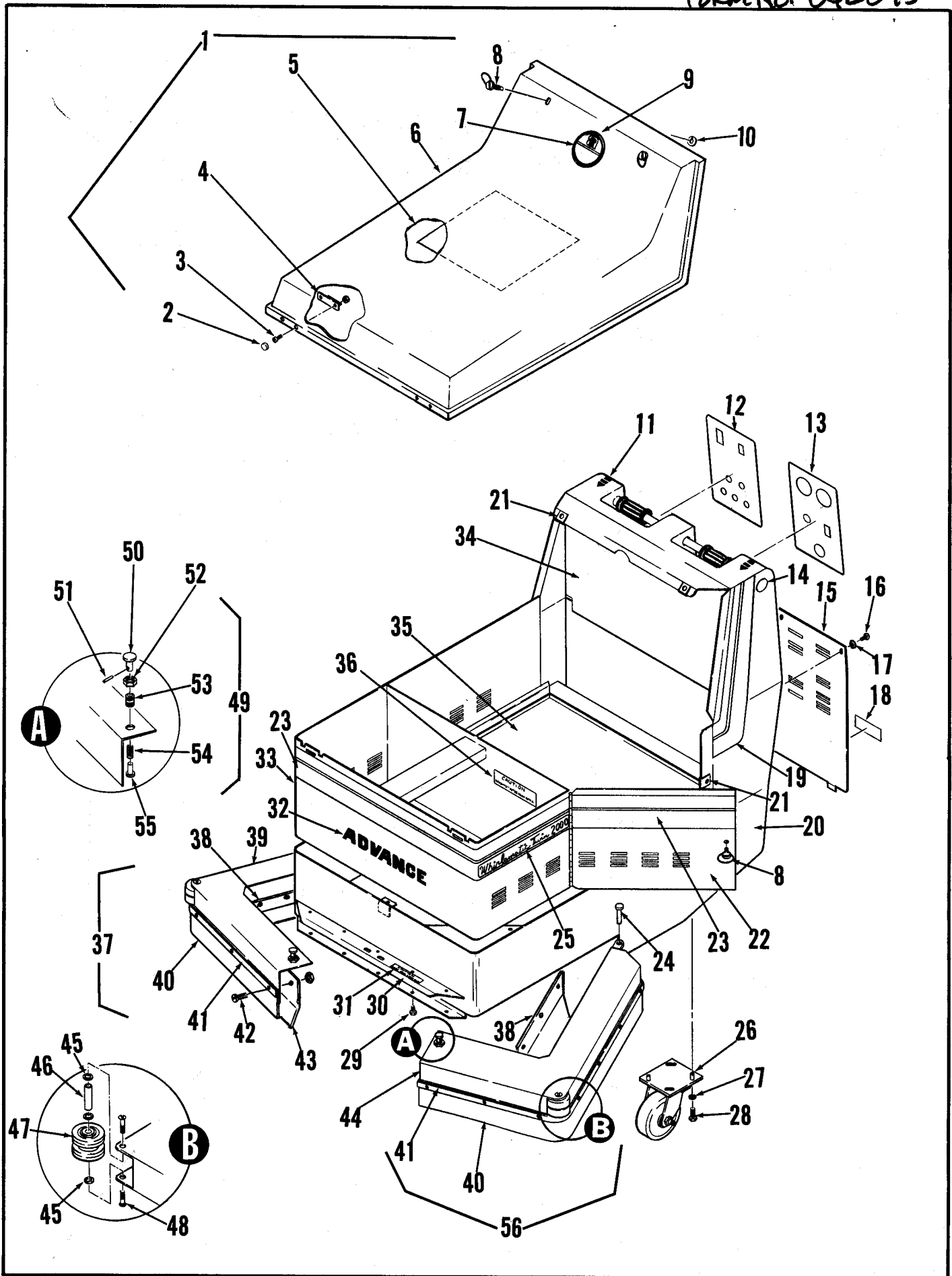
ADVANCE
MACHINE COMPANY

INTERNATIONAL HEADQUARTERS, Spring Park, Minnesota 55384 USA
EUROPE, 4 Rue Jean Engling, L - 1466 Luxembourg
CANADA, 1295 Crestlawn Drive, Mississauga, Ontario L4W 1A9



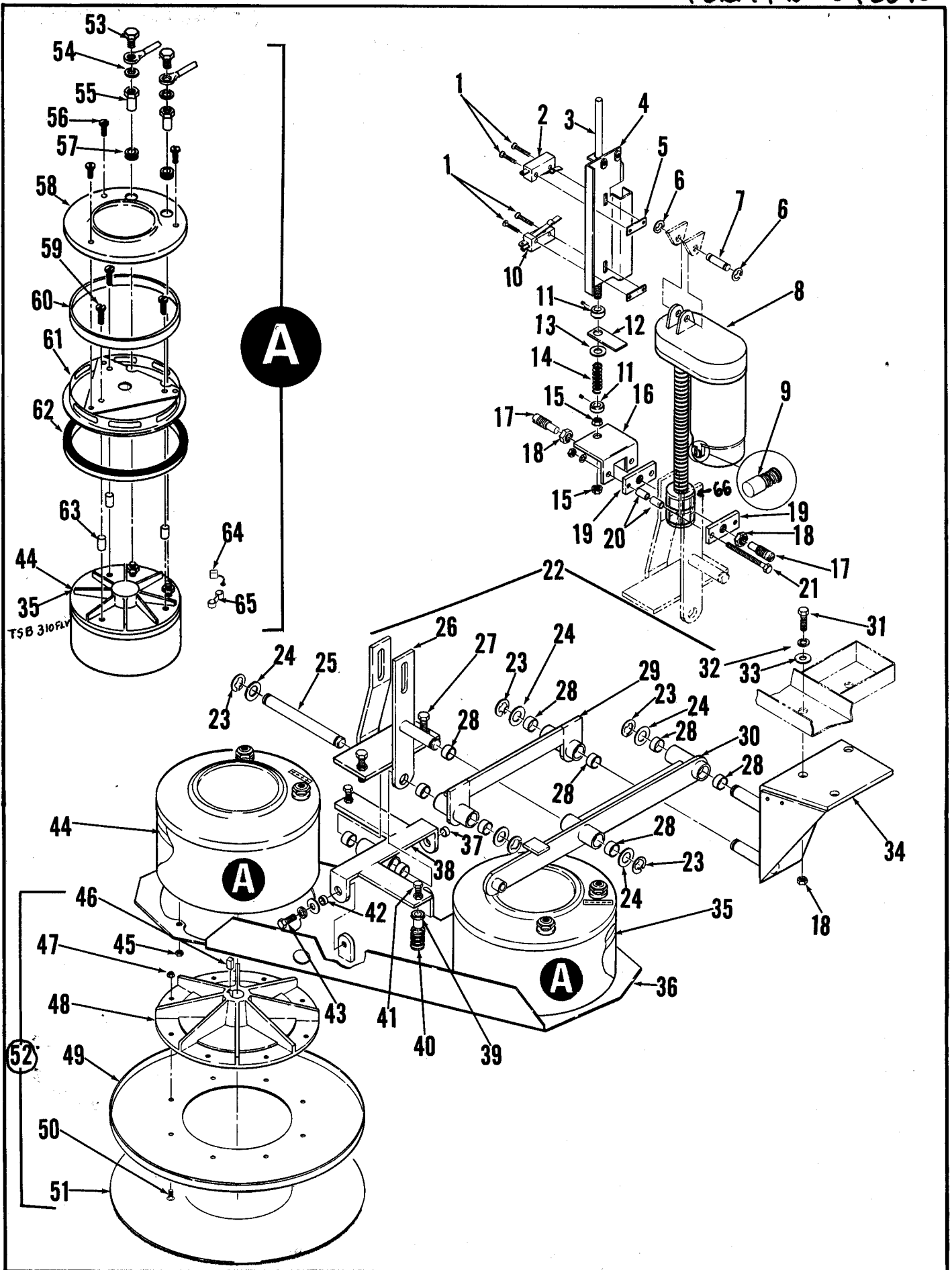
Index for Form Number 042095

| Description | Location | page |
|-----------------------------|-----------------|-------------|
| Casters, Shroud & Chassis | E2 | 1 |
| Controls & Electrical Panel | E8 | 7 |
| Pad Drive & Lift | E4 | 3 |
| Wheel Drive | E6 | 5 |
| Wiring Diagram | E10 | 9 |



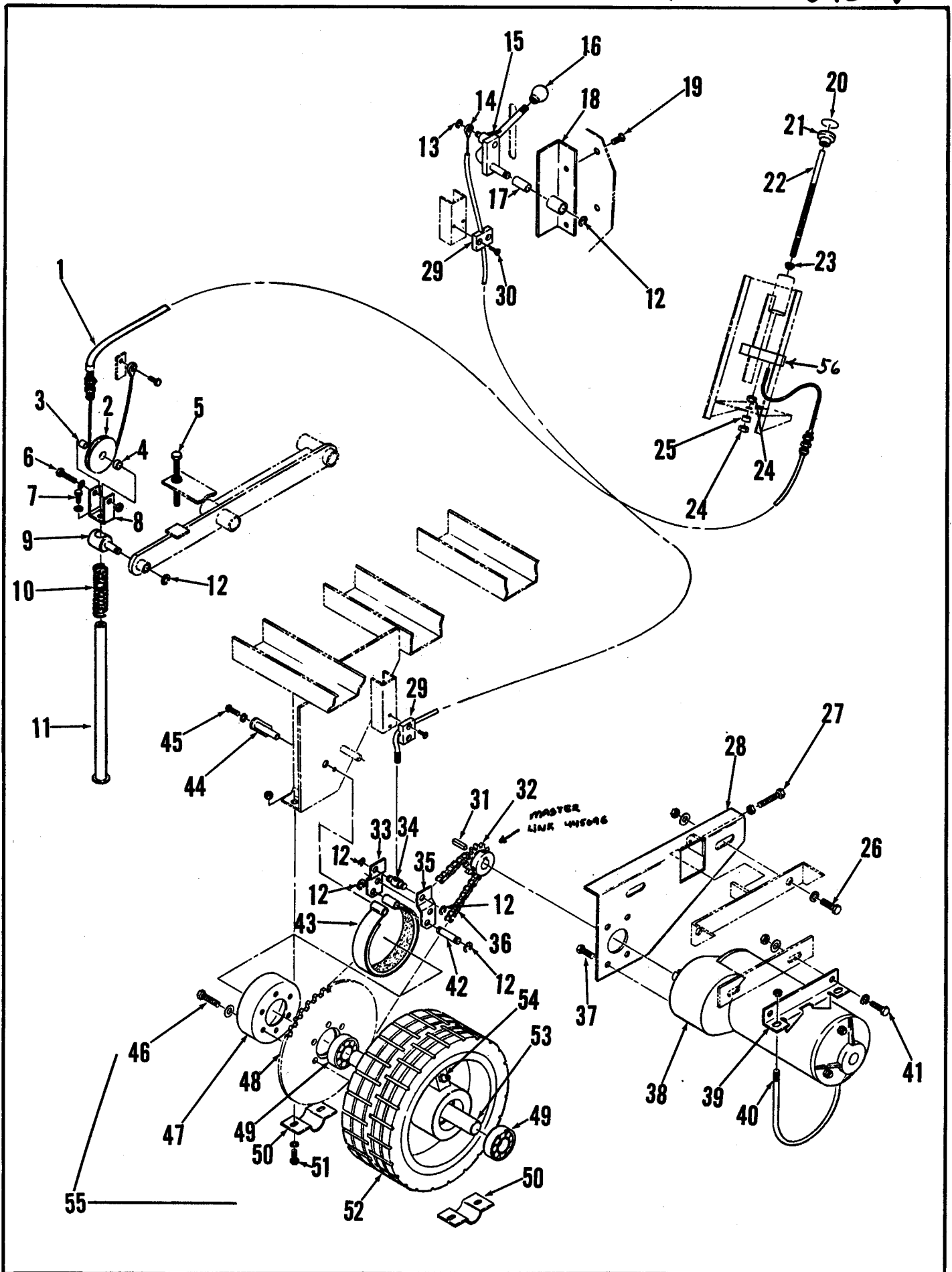
HOUSING ASSEMBLY

| ITEM | PART NO | QTY | DESCRIPTION |
|------|---------|-----|--|
| 1 | 388 527 | 1 | SHROUD ASSEMBLY C/O |
| 2 | 387 190 | 8 | SNAP CAPS |
| 3 | | 8 | SCREW, PAN HD. #10-24 x 3/8 w/HEX NUT |
| 4 | 389 084 | 2 | BRACKET |
| 5 | 025 280 | 1 | DECAL, ELECTRICAL |
| 6 | 388 529 | 1 | SHROUD |
| 7 | 025 166 | 1 | DECAL "ADVANCE" |
| 8 | 448 104 | 3 | FASTENER, SCREW |
| 9 | 016 398 | 1 | EMBLEM "ADVANCE" |
| 10 | 448 108 | 2 | WASHER, RETAINING |
| 11 | 025 286 | 2 | DECAL, "ARROW" |
| 12 | 025 283 | 1 | DECAL, CONTROL PANEL |
| 13 | 025 284 | 1 | DECAL, CONTROL PANEL |
| 14 | 388 608 | 2 | BUTTON, PLUG |
| 15 | 388 539 | 1 | COVER, BACK |
| 16 | | 6 | SCREW, OVAL HD. #10-24 x 3/8 HP-5 |
| 17 | 449 340 | 6 | WASHER, FINISHING |
| 18 | 015 324 | 1 | NAMEPLATE |
| 19 | 025 281 | 1 | DECAL, STRIPE - LEFT |
| | 025 282 | 1 | DECAL, STRIPE - RIGHT |
| 20 | 388 950 | 1 | CHASSIS, MAIN |
| 21 | 468 960 | 3 | RECEPTACLE, SCREW |
| 22 | 389 090 | 1 | DOOR, SIDE |
| 23 | 025 135 | 2 | DECAL, STRIPE |
| 24 | 360 147 | 2 | PIN, HINGE |
| 25 | 025 285 | 2 | DECAL, "WHIRLAMATIC 2000" |
| 26 | 470 582 | 2 | CASTER, SWIVEL |
| 27 | | 8 | WASHER, LOCK 1/4 |
| 28 | | 8 | SCREW, HEX HD. 1/4 - 20 x 3/4 |
| 29 | | 5 | SCREW, HEX HD. 1/4 - 20 x 1/2 |
| 30 | 389 139 | 1 | BRACKET, LOCK PIN |
| 31 | 016 106 | 1 | DECAL, "CAUTION" |
| 32 | 016 543 | 1 | DECAL, "ADVANCE" |
| 33 | 389 064 | 1 | HOUSING, BATTERY |
| 34 | 388 541 | 1 | SHIELD |
| 35 | 389 110 | 1 | TRAY, BATTERY |
| 37 | 389 120 | 1 | SKIRT ASSEMBLY - RIGHT |
| 38 | 389 145 | 2 | PLATE, SIDE |
| 39 | 389 123 | | SKIRT, RIGHT |
| | 389 125 | 1 | SKIRT, LEFT |
| 40 | 389 143 | 2 | BLADE |
| 41 | 389 141 | 2 | STRAP |
| 42 | | 16 | SCREW, PAN HD. #10-24 x 3/4 w/WHIZ NUT |
| 43 | 389 147 | 1 | PLATE, FRONT |
| 44 | 389 125 | 1 | SKIRT, LEFT |
| 45 | 371 009 | 4 | WASHER |
| 46 | 386 823 | 2 | BUSHING |
| 47 | 363 855 | 4 | WHEEL, BUMPER 2.50 x .812 |
| 48 | | 4 | SCREW, RD. HD. 1/4 - 20 x 1/2 |
| 49 | 365 548 | 2 | LOCK PIN ASSEMBLY |
| 50 | 201 405 | 2 | KNOB |
| 51 | 201 472 | 2 | PIN |
| 52 | 201 413 | 2 | NUT, HEX |
| 53 | 201 383 | 2 | SOCKET |
| 54 | 201 448 | 2 | SPRING, COMPRESSION |
| 55 | 201 391 | 2 | PIN |
| 56 | 389 121 | 1 | SKIRT ASSEMBLY - LEFT |



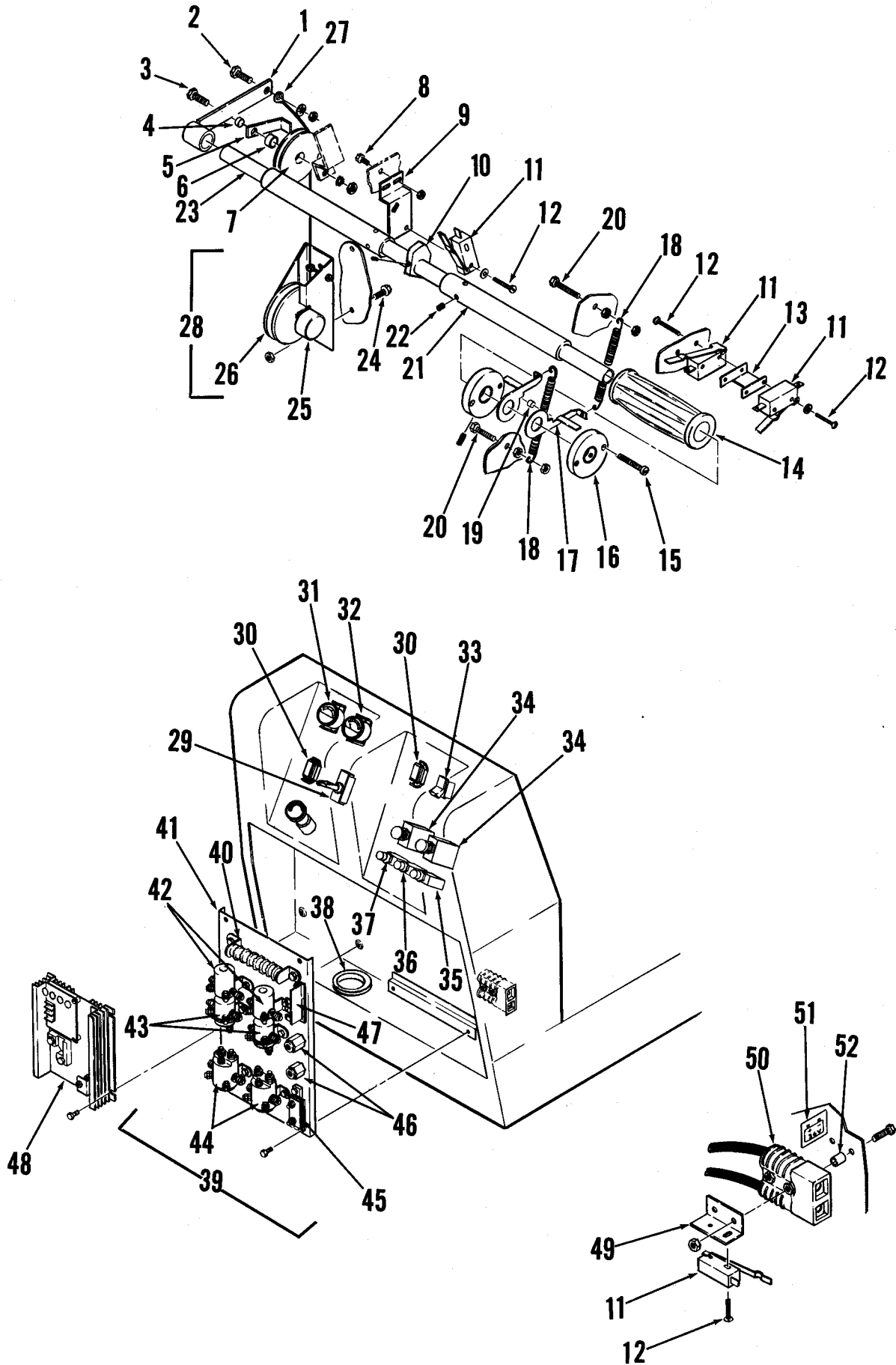
DRIVE UNIT AND RELATED PARTS

| Item | Part No. | Qty | Description | Item | Part No. | Qty | Description |
|------|----------|-----|--|------|----------|-----|-------------------------------------|
| 1 | | 4 | Screw, Pan Head #6-32 x 1 | 51 | 388522 | 2 | Pad, Bristle - Outer |
| 2 | 388019 | 1 | Switch, Snap SPST NC | 52 | 388525 | 2 | Pad Holder Assy TSB 370 - G8 |
| 3 | 388816 | 1 | Rod .375 x 13.25 | * | 505554 | 2 | Union Mix Brush |
| 4 | 388817 | 1 | Bracket, Guide Rod | 53 | | 4 | Screw, Hex Head 5/16-24 X 1/2 |
| 5 | 385747 | 2 | Plate, Nut | 54 | | 4 | Washer, Flat 5/16 |
| 6 | 321427 | 2 | Ring, Retaining | 55 | 386988 | 4 | Stand-Off |
| 7 | 388672 | 1 | Pin, Pivot | 56 | | 6 | Screw, Pan Head #10-24 x 1/2 |
| 8 | 388518 | 1 | Motor, Gear Lift TSB 540 - G3 | 57 | 760212 | 4 | Grommet 1.000 |
| 9 | 388517 | 1 | Carbon Brush kit (for 388518) | 58 | 386691 | 2 | Cover, Motor Bracket |
| * | 470431 | 1 | Carbon Brush Kit (for 391627) | 59 | | 6 | Screw, Flat Head #10-24 x 1-1/4 |
| 10 | 388532 | 1 | Switch, Snap SPDT | 60 | 180032 | 2 | Filter, Motor |
| 11 | 331076 | 2 | Collar | 61 | 180008 | 2 | Bracket, Motor |
| 12 | 388823 | 1 | Bar | 62 | 206058 | 2 | Gasket, Motor |
| 13 | 372858 | 1 | Washer | 63 | 207489 | 6 | Bushing .25 x .37 x .93 |
| 14 | 228142 | 1 | Spring, Compression | 64 | 386813 | 1 | Motor Brushes TSB 332 - G11 |
| 15 | | 1 | Nut, Range 3/8-16 | 65 | 180146 | 4 | Brush Spring |
| 16 | 388822 | 1 | Bracket | 66 | 388520 | 1 | Drive Nut |
| 17 | 388827 | 2 | Screw, Adjusting | | | | |
| 18 | | 5 | Nut, Hex 1/2-13 | | | | * = Not Shown |
| 19 | 388815 | 2 | Plate, Nut | | | | |
| 20 | 471220 | 4 | Bushing | | | | |
| 21 | | 2 | Screw 1/4-20 x 2 with Lock Washer & Nut | | | | |
| 22 | 388850 | 1 | Drive Unit Assembly | | | | |
| 23 | 478775 | 5 | Ring, Retaining | | | | |
| 24 | 444839 | 5 | Washer | | | | |
| 25 | 388830 | 1 | Pin, Pivot | | | | |
| 26 | 388782 | 1 | Bracket, Pivot | | | | |
| 27 | | 2 | Screw, 3/8-16 x 1-1/2 with Nut | | | | |
| 28 | 370878 | 10 | Bearing Sleeve | | | | |
| 29 | 388770 | 1 | Lever, Short Arm | | | | |
| 30 | 388761 | 1 | Lever, Long Arm | | | | |
| 31 | | 3 | Screw, 3/8-16 x 1-1/2 with Nut | | | | |
| 32 | | 3 | Washer, Lock 1/2 | | | | |
| 33 | | 3 | Washer, Flat | | | | |
| 34 | 388800 | | Mounting Bracket | | | | |
| 35 | 388011 | 1 | Motor 36V Left TSB 310 - G12, TSB 356 - G10, TSB 578 - G2 | | | | |
| 36 | 388740 | 1 | Base, Motor | | | | |
| 37 | 228052 | 1 | Bushing .31 x .50 x .28 | | | | |
| 38 | 388752 | 1 | Bracket, Adjusting | | | | |
| 39 | 388833 | 2 | Guide, Spring | | | | |
| 40 | 171123 | 2 | Spring | | | | |
| 41 | | 2 | Screw, Hex Head 5/16-18 x 2 with Jam Nut | | | | |
| 42 | 320595 | 1 | Bushing | | | | |
| 43 | | 2 | Screw, Hex Head 5/16-18 x 1 with Flat Washer & Lock Washer | | | | |
| 44 | 388010 | 1 | Motor 36V Right TSB 578 - G2 | | | | |
| 45 | | 6 | Nut, Hex 1/4-20 | | | | |
| 46 | 740168 | 2 | Key, Square .187 x 1.00 | | | | |
| 47 | | 16 | Nut, Whiz Flange #10-24 | | | | |
| 48 | 388261 | 2 | Hub | | | | |
| 49 | 388524 | 2 | Plate 17" | | | | |
| 50 | | 16 | Screw, Flat Head 10-24 x 3/4 | | | | |



BRAKE , DRIVE WHEEL , & RELATED PARTS

| ITEM | PART NO | QTY | DESCRIPTION |
|------|---------|-----|--|
| 1 | 388 852 | 1 | CABLE ASSEMBLY |
| 2 | 388 836 | 1 | PULLEY |
| 3 | 321 532 | 1 | BUSHING .25 x .37 x .40 |
| 4 | 370 754 | 1 | BEARING, SLEEVE .379 |
| 5 | | 1 | SCREW, HEX HD. 3/8 - 16 x 2" W/NUT |
| 6 | | 1 | SCREW, HEX HD. 1/4 - 20 x 1 1/2 W/NUT |
| 7 | | 1 | SCREW, HEX HD. 1/4 - 20 x 1/2 |
| 8 | 388 839 | 1 | BRACKET "U" |
| 9 | 386 663 | 1 | PIN |
| 10 | 372 129 | 1 | SPRING, COMPRESSION |
| 11 | 388 842 | 1 | PIN |
| 12 | 321 427 | 6 | RETAINING |
| 13 | 321 125 | 1 | RING, RETAINING |
| 14 | 453 845 | 1 | CABLE ASSEMBLY, BRAKE |
| 15 | 388 650 | 1 | LEVER, BRAKE |
| 16 | 364 527 | 1 | KNOB |
| 17 | 200 972 | 1 | BEARING, SLEEVE |
| 18 | 388 660 | 1 | BRACKET, BRAKE LEVER |
| 19 | | 2 | SCREW, TRUSS HD. 1/4-20 x 1/2 HP5 |
| 20 | 025 254 | 1 | DECAL, PAD PRESSURE |
| 21 | 475 480 | 1 | KNOB |
| 22 | 388 824 | 1 | ROD, ADJUSTING |
| 23 | 324 505 | 1 | BEARING, FLANGE |
| 24 | | 2 | NUT, HEX JAM 3/8 - 24 |
| 25 | 366 013 | 1 | BUSHING .37 x .62 x .18 |
| 26 | | 2 | SCREW, HEX HD. 1/2 - 13 x 1" WITH LOCKWASHER, FLAT WASHER & HEX NUT |
| 27 | | 1 | SCREW, HEX HD. 5/16 - 18 x 2" W/NUT |
| 28 | 388 692 | 1 | BRACKET, ADJUSTING |
| 29 | 477 884 | 2 | CLAMP, CABLE |
| 30 | | 4 | SCREW, FLAT HD. 1/4 - 20 x 7/8 |
| 31 | 740 168 | 1 | KEY |
| 32 | 388 688 | 1 | SPROCKET TSB 424, G-7 |
| 33 | 388 678 | 1 | BRAKE LEVER - RIGHT |
| 34 | 388 674 | 1 | PIN, BRAKE LEVER |
| 35 | 388 676 | 1 | BRAKE LEVER - LEFT |
| 36 | 468 884 | 1 | CHAIN, ROLLER #40 TSB 424, G-7 |
| 37 | | 4 | SCREW, HEX HD. 3/8 - 16 x 3/4 |
| 38 | 388 510 | 1 | DRIVE ASSEMBLY SEE TSB 424 CV TSB 506, G-5 |
| | 388 515 | 1 | MOTOR, 36V 3/4 HP G-7 |
| | 386 263 | 1 | CARBON BRUSH SET |
| 39 | 388 682 | 1 | BRACKET, ANGLE |
| 40 | 388 686 | 1 | CLAMP, ROD |
| 41 | | 2 | SCREW, HEX HD. 5/16 - 18 x 3/4 WITH LOCKWASHER, FLAT WASHER & HEX NUT |
| 42 | 388 672 | 1 | PIN, GROOVED |
| 43 | 402 745 | 1 | BRAKE STRAP ASSEMBLY |
| 44 | 388 666 | 2 | BRACKET, GROOVED PIN |
| 45 | | 2 | SCREW, HEX HD. 5/16 - 18 x 1/2 W/LW |
| 46 | | 6 | SCREW, HEX HD. 5/16 - 18 x 1 1/4 W/FW |
| 47 | 388 702 | 1 | DRUM, BRAKE |
| 48 | 388 700 | 1 | SPROCKET |
| 49 | 378 380 | 2 | BEARING, BALL |
| 50 | 388 937 | 2 | CLAMP |
| 51 | | 4 | SCREW, HEX HD. 1/4 - 20 x 1" W/LW & NUT |
| 52 | 376 032 | 1 | WHEEL, 10.00 x 4.00 |
| 53 | 388 698 | 1 | AXEL |
| 54 | 344 362 | 1 | FITTING, LUBE |
| 55 | 376 030 | 1 | WHEEL ASSEMBLY |
| 56 | 388 812 | 1 | BAR |



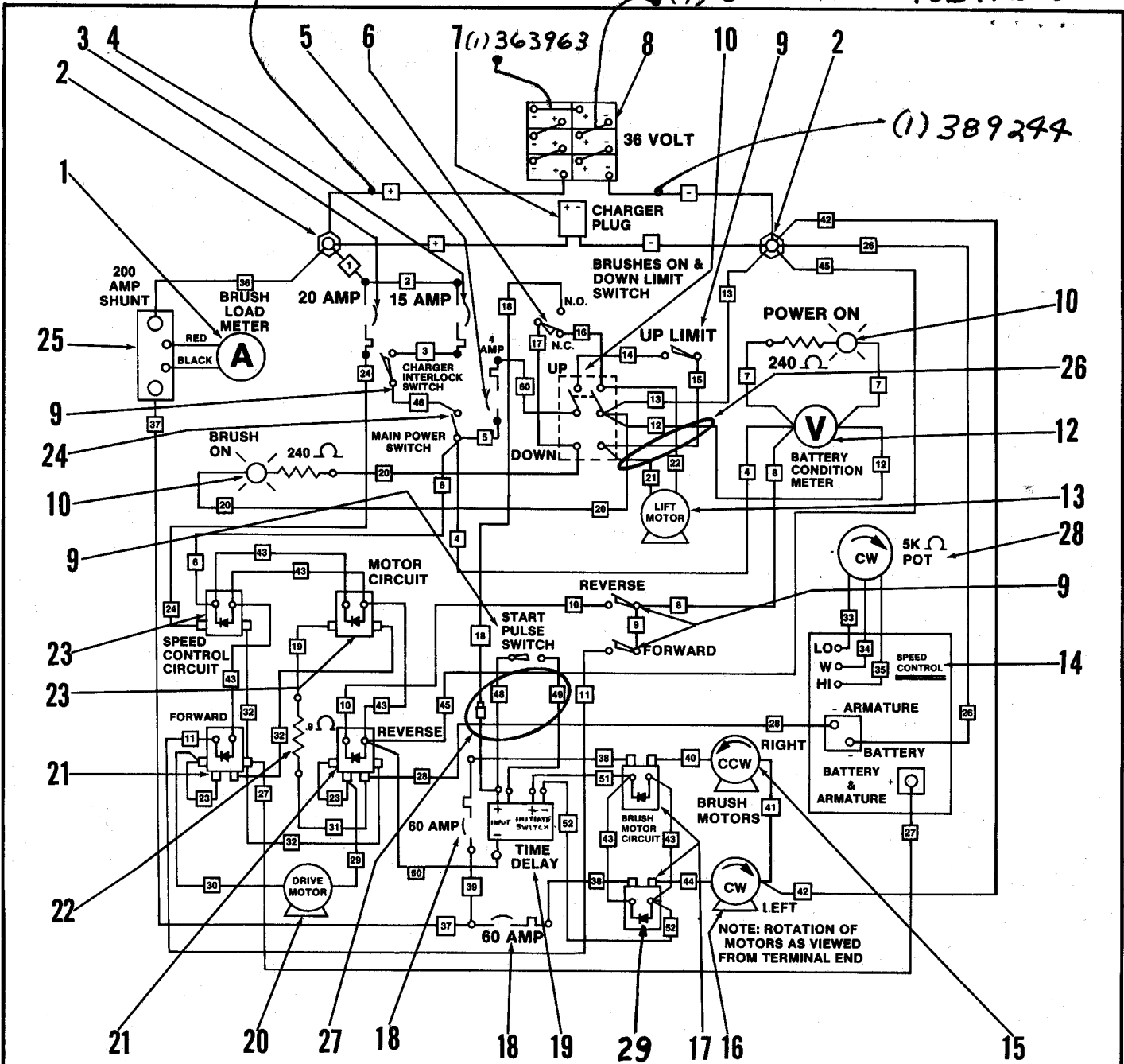
CONTROLS & HANDLE ASSEMBLY

| ITEM | PART NO | QTY | DESCRIPTION |
|------|---------|-----|---|
| 1 | 388 566 | 1 | LEVER, ACTUATOR |
| 2 | | 1 | SCREW, HEX HD. 1/4 - 20 x 1/2 W/WASH & NUT |
| 3 | | 1 | SCREW, HEX HD. 1/4 - 20 x 1.00 W/WASHER & NUT |
| 4 | 321 532 | 1 | BUSHING .25 x .37 x .40 |
| 5 | 388 606 | 1 | GUIDE |
| 6 | 370 754 | 1 | BEARING, SLEEVE |
| 7 | 388 836 | 1 | PULLEY |
| 8 | | 2 | SCREW, TRUSS HD. 3/16 - 18 x 1/2 W/HEX NUT |
| 9 | 388 622 | 1 | BRACKET, SWITCH |
| 10 | 388 620 | 1 | COLLAR |
| 11 | 388 019 | 4 | SWITCH |
| 12 | | 8 | SCREW, ROUND HD. #6-32 x 1" |
| 13 | 388 576 | 1 | BRACKET, SWITCH |
| 14 | 388 545 | 2 | GRIP, HANDLE |
| 15 | | 1 | SCREW, PAN HD. #10-24 x 1 1/4 |
| 16 | 388 574 | 2 | COLLAR |
| 17 | 388 562 | 2 | ARM, SWITCH |
| 18 | 365 769 | 2 | SPRING, EXTENSION |
| 19 | 151 092 | 1 | BUSHING .18 x .25 x .15 |
| 20 | | 2 | SCREW, TRUSS HD. 1/4 - 20 x 1 1/2 |
| 21 | 388 580 | 2 | TUBE |
| 22 | | 4 | SCREW, SET #8-32 x 1/4 |
| 23 | 388 578 | 1 | TUBE, HANDLE |
| 24 | | 2 | SCREW, TRUSS HD. 1/4-20 x 5/8 W/NUT |
| 25 | 454 740 | 1 | POTENTIOMETER 5K |
| 26 | 388 600 | 1 | PULLEY ASSEMBLY |
| 27 | 388 610 | 1 | CABLE ASSEMBLY |
| 28 | 388 590 | 1 | POTENTIOMETER ASSEMBLY |
| 29 | 207 075 | 1 | SWITCH TOGGLE |
| | 756 514 | 1 | BOOT, TOGGLE SWITCH |
| 30 | 467 410 | 2 | LIGHT, INDICATOR |
| 31 | 448 662 | 1 | METER, BATTERY CONDITION |
| 32 | 388 017 | 1 | AMMETER D.C. |
| 33 | 377 003 | 1 | SWITCH, ROCKER |
| 34 | 388 022 | 2 | CIRCUIT BREAKER 60A |
| 35 | 454 538 | 1 | CIRCUIT BREAKER 15A |
| 36 | 395 454 | 1 | CIRCUIT BREAKER 20A |
| 37 | 387 320 | 1 | CIRCUIT BREAKER 3A |
| 38 | 477 512 | 1 | GROMMET 2.750 |
| 39 | 389 280 | 1 | SOLENOID PANEL ASSEMBLY |
| 40 | 467 470 | 1 | RESISTOR .9 OHMS |
| 41 | 389 295 | 1 | PANEL, SOLENOID |
| 42 | 395 452 | 2 | CONTACTOR 36 VOLT |
| 43 | 388 534 | 2 | SOLENOID 36 VOLT D.C. |
| 44 | 395 450 | 2 | CONTACTOR 36 VOLT |
| 45 | 388 505 | 1 | SHUNT |
| 46 | 469 858 | 2 | STANDOFF, INSULATED |
| 47 | 389 314 | 1 | SWITCH, TIME DELAY |
| 48 | 388 521 | 1 | SPEED CONTROLLER, D.C. <i>TSB478, G-6</i> |
| 49 | 389 270 | 1 | BRACKET, SWITCH |
| 50 | 389 268 | 1 | CHARGER PLUG ASSEMBLY |
| 51 | 016 324 | 1 | DECAL, 36V |
| 52 | 370 040 | 2 | BUSHING |

(1) 389241

(4) 363928

Form No. 042095



| ITEM | PART NO | QTY | DESCRIPTION | ITEM | PART NO | QTY | DESCRIPTION |
|------|--------------------|-----|------------------------------------|------|--------------------|-----|------------------|
| 1 | 388 017 | 1 | AMMETER, D.C. | 19 | 389 314 | 1 | TIME DELAY |
| 2 | 469 858 | 2 | STANDOFF | 20 | 388 510 | 1 | DRIVE ASSEMBLY |
| 3 | 395 454 | 1 | CIRCUIT BREAKER, 20 AMP | | 388 515 | 1 | MOTOR 36V |
| 4 | 454 538 | 1 | CIRCUIT BREAKER, 15 AMP | | 386 263 | SET | CARBON BRUSHES |
| 5 | 387 328 | 1 | CIRCUIT BREAKER, 5 AMP | 21 | 388 534 | 2 | SOLENOID 36V DC |
| 6 | 388 532 | 1 | SWITCH, SNAP SPDT | 22 | 467 470 | 1 | RESISTOR .9 OHMS |
| 7 | 389 268 | 1 | PLUG, CHARGER | 23 | 395 452 | 2 | CONTACTOR 36V |
| 8 | 388 503 | 6 | BATTERY 6 VOLT (OPTIONAL) | 24 | 207 075 | 1 | SWITCH, TOGGLE |
| 9 | 388 019 | 5 | SWITCH | 25 | 388 505 | 1 | SHUNT, 200 AMP |
| 10 | 377 003 | 1 | SWITCH, ROCKER DPDT | 26 | 389 301 | 1 | HARNESS ASSEMBLY |
| 11 | 467 410 | 2 | PLUG, INDICATOR | 27 | 389 272 | 1 | HARNESS ASSEMBLY |
| 12 | 448 662 | 1 | METER, BATTERY | 28 | 454 740 | 1 | POTENTIOMETER |
| 13 | 388 518 | 1 | MOTOR, GEAR LIFT | 29 | 389 265 | 6 | DIODE ASSY. |
| 14 | 388 521 | 1 | SPEED CONTROLLER D.C. TSB 478, G-6 | | | | |
| 15 | 388 010 | 1 | MOTOR, 36V D.C. CCW | | | | |
| 16 | 388 011 | 1 | MOTOR, 36V 2.5 H.P. | | | | |
| 17 | 395 450 | 2 | CONTACTOR 36 VOLT | | | | |
| 18 | 388 022 | 2 | CIRCUIT BREAKER, 60 AMP | | | | |
| | | | | | | | |
| | | | | | | | |

* NOT SHOWN

* 372673 12 BATTERY BOOTS

ELECTRICAL SCHEMATIC

