

WHIRLAMATIC UHS MODEL 1520

THIS PARTS LIST IS FOR MACHINES
AFTER SERIAL NUMBER 131050.

PARTS LIST



ADVANCE.
MACHINE COMPANY

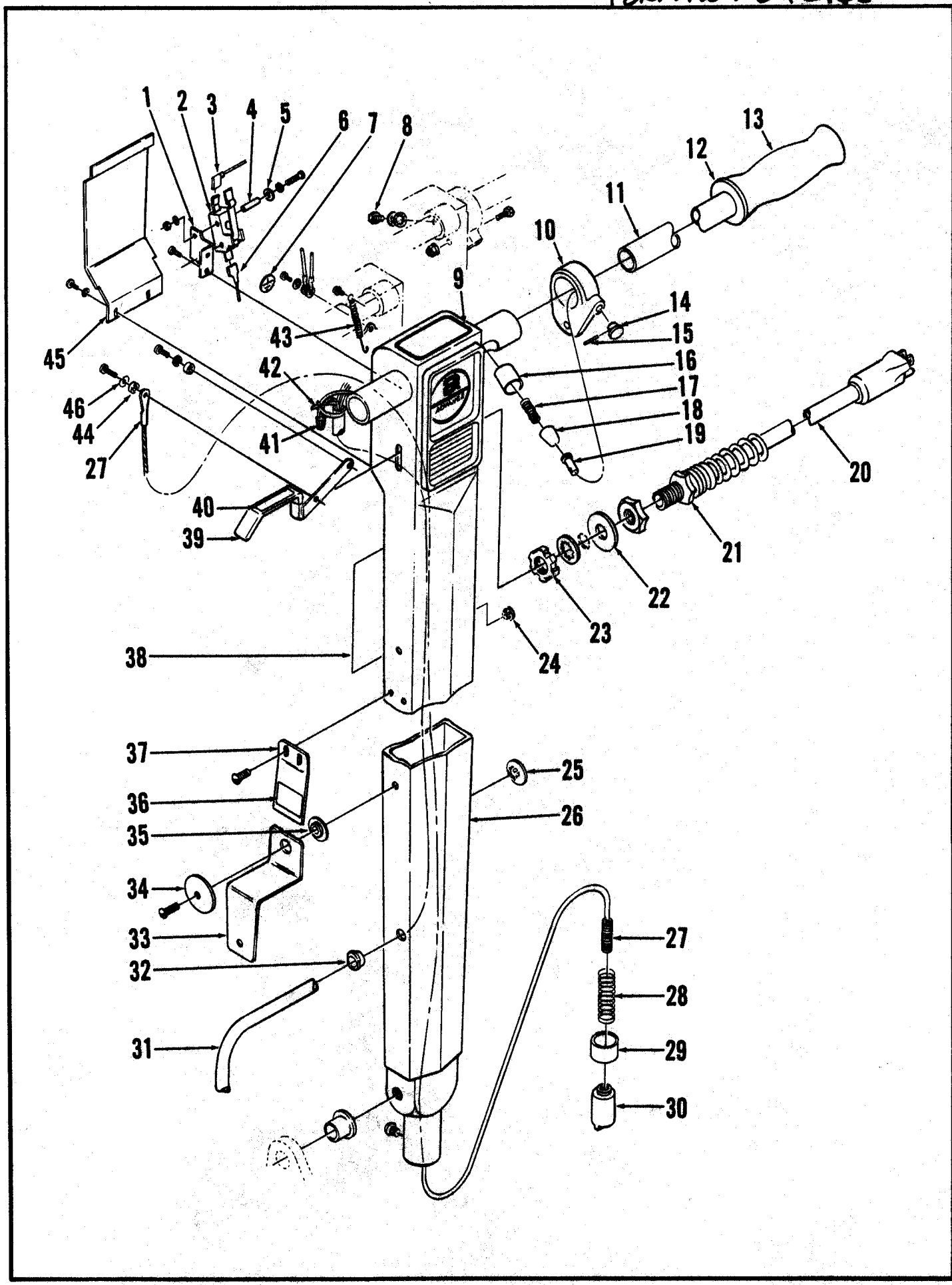
INTERNATIONAL HEADQUARTERS, Plymouth, Minnesota 55441-3485
EUROPE, Llantrisant, Pontyclun, Mid-Glamorgan CF7 8YZ, Wales, United Kingdom
CANADA, 1295 Crestlawn Drive, Mississauga, Ontario L4W 1A9



© 1986 Advance Machine Co. FORM NUMBER 042165 12/86

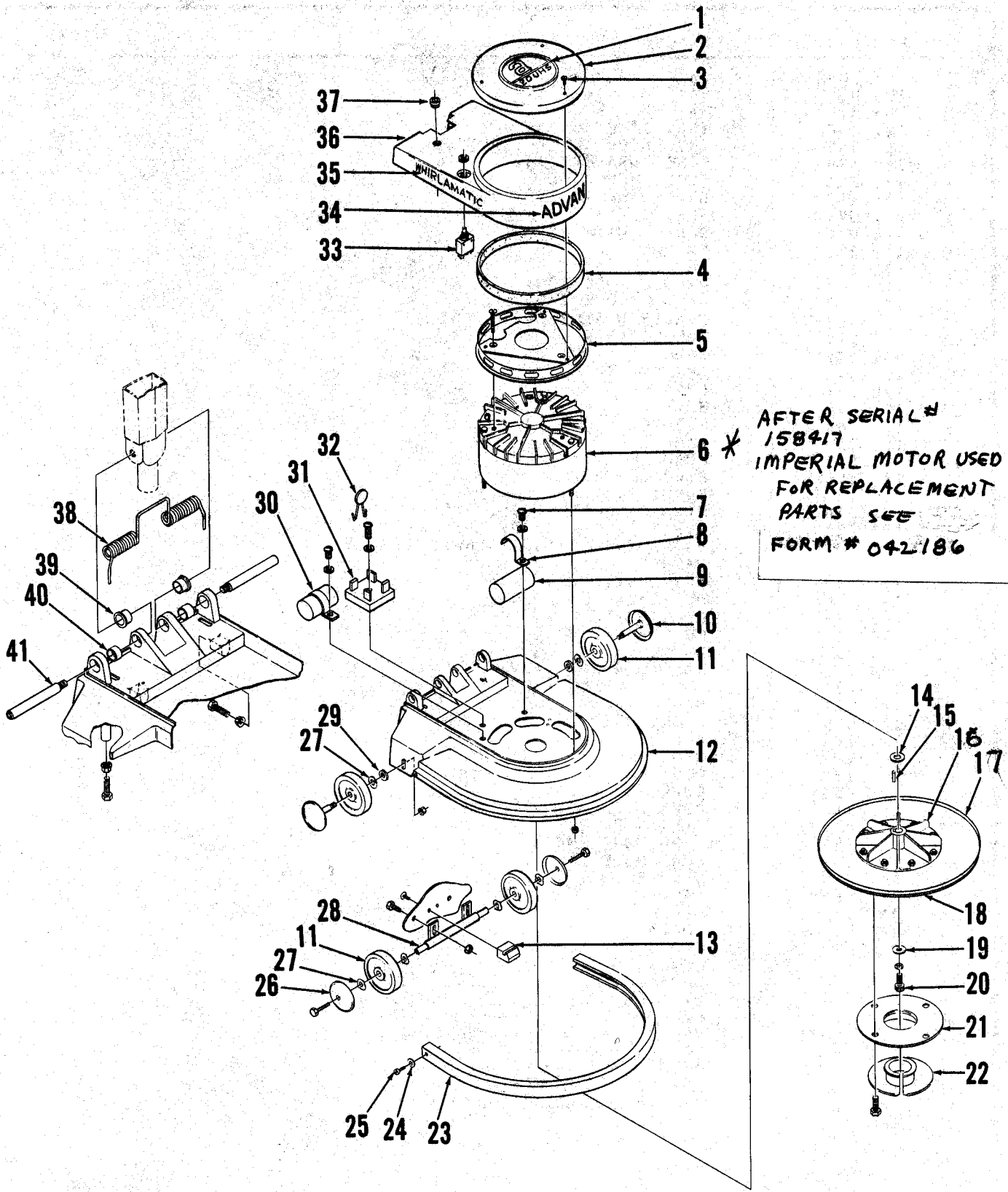
Index for Form Number 042165

| Description | Location | page |
|--------------------|-----------------|-------------|
| Base | D8 | 3 |
| Handle | D6 | 1 |
| Wiring Diagrams | D10 | 5 |



HANDLE ASSEMBLY

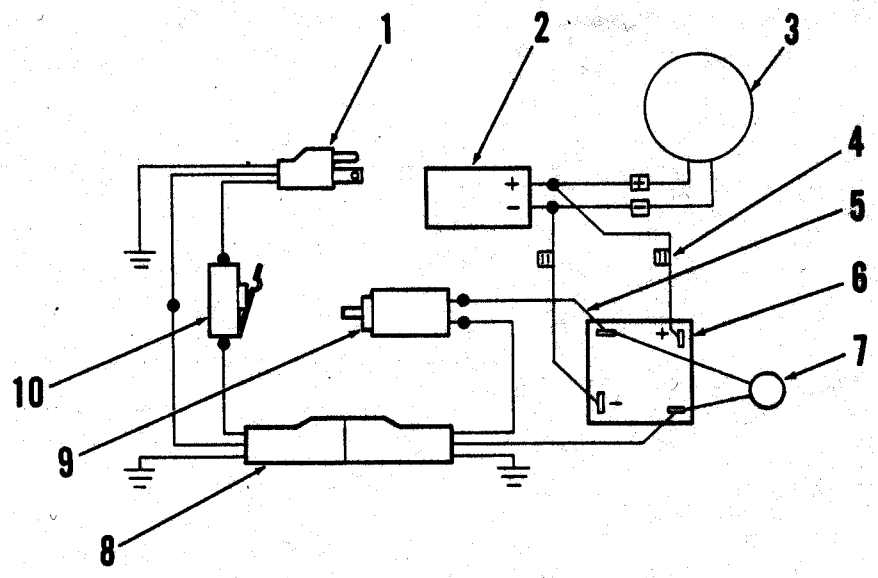
| # | PART NO. | Q | DESCRIPTION |
|----|----------|---|---------------------------------|
| 1 | 171 209 | 1 | SWITCH BRACKET |
| 2 | 388 019 | 1 | SWITCH 100V, 115V |
| | 385 615 | 1 | SWITCH 230V |
| 3 | 321 338 | 1 | INSULATOR |
| 4 | 183 545 | 2 | INSULATOR SLEEVE 230V |
| 5 | 200 190 | 2 | FIBER WASHER 230V |
| 6 | 171 184 | 1 | FLAG INSULATOR |
| 7 | 014 119 | 1 | GROUND DECAL 230V |
| 8 | 234 079 | 1 | SCREW |
| 9 | 014 924 | 1 | DECAL, WARNING |
| 10 | 172 200 | 1 | COLLAR |
| | 172 215 | 1 | COLLAR ASSY. |
| 11 | 172 198 | 1 | HANDLE TUBE 100V, 115V |
| | 183 527 | 1 | HANDLE TUBE 230V |
| 12 | 217 927 | 2 | RUBBER WASHER 230V |
| 13 | 388 545 | 2 | HANDLE GRIP |
| 14 | 201 405 | 1 | KNOB |
| 15 | 201 472 | 1 | SPRING PIN |
| 16 | 172 201 | 1 | BUSHING |
| 17 | 201 448 | 1 | SPRING |
| 18 | 172 266 | 1 | PLUNGER |
| 19 | 172 217 | 1 | PIN |
| 20 | 524 069 | 1 | CORD SET 115V |
| | 183 529 | 1 | CORD SET 230V |
| | 180 116 | 1 | CORD SET 100V |
| 21 | 109 630 | 1 | STRAIN RELIEF 100V, 115V |
| | 183 525 | 1 | STRAIN RELIEF 230V |
| | 109 632 | 1 | BRASS INSERT (not shown) |
| 22 | 171 093 | 1 | WASHER |
| 23 | 171 094 | 1 | NUT 100V, 115V |
| | 183 538 | 1 | NUT 230V |
| 24 | 153 699 | 4 | PLUG BUTTON |
| 25 | 157 244 | 1 | PLUG BUTTON |
| 26 | 183 532 | 1 | HANDLE |
| | 183 530 | 1 | HANDLE ASSY. 115V |
| | 183 541 | 1 | HANDLE ASSY. 100V |
| | 183 517 | 1 | HANDLE ASSY. 230V |
| 27 | 171 099 | 1 | CABLE ASSY. |
| 28 | 171 123 | 1 | SPRING |
| 29 | 171 269 | 1 | BUSHING |
| 30 | 171 132 | 1 | PLUNGER |
| 31 | 183 003 | 1 | CORD ASSY. 100V, 115V |
| | 183 519 | 1 | CORD ASSY. 230V |
| 32 | 382 817 | 1 | STRAIN RELIEF |
| 33 | 387 682 | 1 | CORD HOOK 100V, 115V |
| | 183 539 | 1 | CORD HOOK 230V |
| 34 | 387 684 | 1 | WASHER |
| 35 | 387 678 | 1 | WASHER |
| 36 | 018 336 | 1 | DECAL, CORD LOCK |
| 37 | 387 680 | 1 | SPRING |
| 38 | 014 828 | 1 | DECAL, WARNING |
| 39 | 017 126 | 1 | LEVER |
| 40 | 014 856 | 1 | DECAL |
| 41 | 321 737 | 1 | WIRE NUT |
| 42 | 478 246 | 1 | CABLE TIE |
| 43 | 445 177 | 1 | SPRING |
| 44 | 151 092 | 2 | SPACER |
| 45 | 172 262 | 1 | COVER |
| 46 | 150 150 | 1 | WASHER |
| 47 | 183 523 | 1 | TERMINAL BLOCK 230V (not shown) |



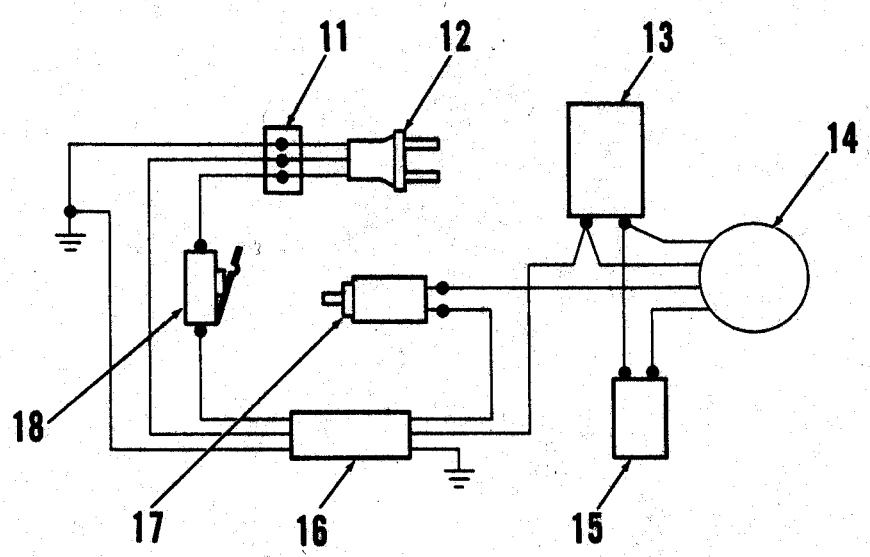
BASE ASSEMBLY

| Item | Part No. | Qty | Description |
|------|----------|-----|--|
| 1 | 56015500 | 1 | Decal, 20 UHS |
| 2 | 56185438 | 1 | Cover Shroud |
| 3 | 56372929 | 3 | Screw |
| 4 | 56180032 | 1 | Filter |
| 5 | 56180008 | 1 | Motor Bracket 100V, 115V |
| | 56185430 | 1 | Motor Bracket 230V |
| 6 | 56185027 | 1 | Motor 230V |
| | 56182020 | 1 | Motor 100V, 115V TSB 521 - G11 |
| * | 56180130 | 1 | Carbon Brush Set for 56182020 |
| * | 56180146 | 1 | Carbon Brush Springs for 56182020 |
| 7 | | 3 | #10-24 x 3/8 Screw |
| 8 | 56180030 | 1 | Cap Clamp 230V |
| | 56185434 | 1 | Cap Clamp 230V |
| 9 | 56171552 | 1 | Capacitor 100V, 115V |
| | 56185427 | 1 | Capacitor 230V |
| 10 | 56183546 | 2 | Axle TSB 404 - G12 |
| 11 | 56228102 | 4 | Wheel TSB 404 - G12 |
| 12 | 56183506 | 1 | Skirt Housing |
| 13 | 56183518 | 1 | Handle Catch |
| 14 | 56367192 | 1 | Washer |
| 15 | 56158135 | 1 | Key |
| 16 | 56388261 | 1 | Hub |
| | 56388258 | 1 | Plate |
| 17 | 56388254 | 1 | Pad Holder Assembly TSB 528 - G10 |
| 18 | 56388225 | 1 | Bristle Pad |
| 19 | 56180200 | 1 | Washer |
| 20 | 56180196 | 1 | 5/16-24 Screw OR 56752093 5/16-18 Screw |
| 21 | 56182056 | 1 | Base Plate |
| 22 | 56182058 | 1 | Retaining Ring |
| 23 | 56183544 | 1 | Bumper |
| 24 | 56180092 | 2 | Washer |
| 25 | 56180087 | 2 | Screw |
| 26 | 56183548 | 2 | Wheel Cover |
| 27 | 56163767 | 6 | Spring Washer |
| 28 | 56183528 | 1 | Axle TSB 404 - G12 |
| 29 | 56152781 | 2 | Washer |
| 30 | 56185418 | 1 | Capacitor 230V |
| | 56185431 | 1 | Cap Clamp 230V |
| | 56185432 | 1 | Rectifier 100V, 115V |
| 32 | 56387554 | 1 | Varistor 100V, 115V |
| 33 | 56180275 | 1 | Circuit Breaker 100V, 115V |
| | 56387316 | 1 | Circuit Breaker 230V |
| 34 | 56014944 | 1 | Decal, Advance |
| 35 | 56015096 | 2 | Decal, Whirlamatic |
| 36 | 56183509 | 1 | Motor Shroud 100V, 115V |
| | 56183511 | 1 | Motor Shroud 230V |
| 37 | 56185504 | 1 | Strain Relief |
| 38 | 56183521 | 1 | Torsion Spring |
| 39 | 56171095 | 2 | Flange Bearing |
| 40 | 56367168 | 2 | Sleeve Bearing |
| 41 | 56183522 | 2 | Pivot Pin |
| * | 56183542 | 1 | Burnishing Brush TSB 528 - G10 |

* = Not Shown



100V & 115V



230V

WIRING DIAGRAMS

| # | PART NO. | Q | DESCRIPTION |
|----|----------|---|-----------------|
| 1 | 524 069 | 1 | CORD SET 115V |
| | 180 116 | 1 | CORD SET 100V |
| 2 | 171 552 | 1 | CAPACITOR |
| 3 | 182 020 | 1 | MOTOR |
| 4 | 469 864 | 2 | WIRE ASSY. |
| 5 | 322 412 | 1 | WIRE ASSY. |
| 6 | 180 162 | 1 | RECTIFIER |
| 7 | 387 554 | 1 | VARISTOR |
| 8 | 183 003 | 1 | CORD ASSY. |
| 9 | 180 275 | 1 | CIRCUIT BREAKER |
| 10 | 388 019 | 1 | SWITCH |
| 11 | 183 523 | 1 | TERMINAL BLOCK |
| 12 | 183 529 | 1 | CORD SET |
| 13 | 185 418 | 1 | CAPACITOR |
| 14 | 185 027 | 1 | MOTOR |
| 15 | 185 427 | 1 | CAPACITOR |
| 16 | 183 519 | 1 | CORD ASSY. |
| 17 | 387 316 | 1 | CIRCUIT BREAKER |
| 18 | 385 615 | 1 | SWITCH |