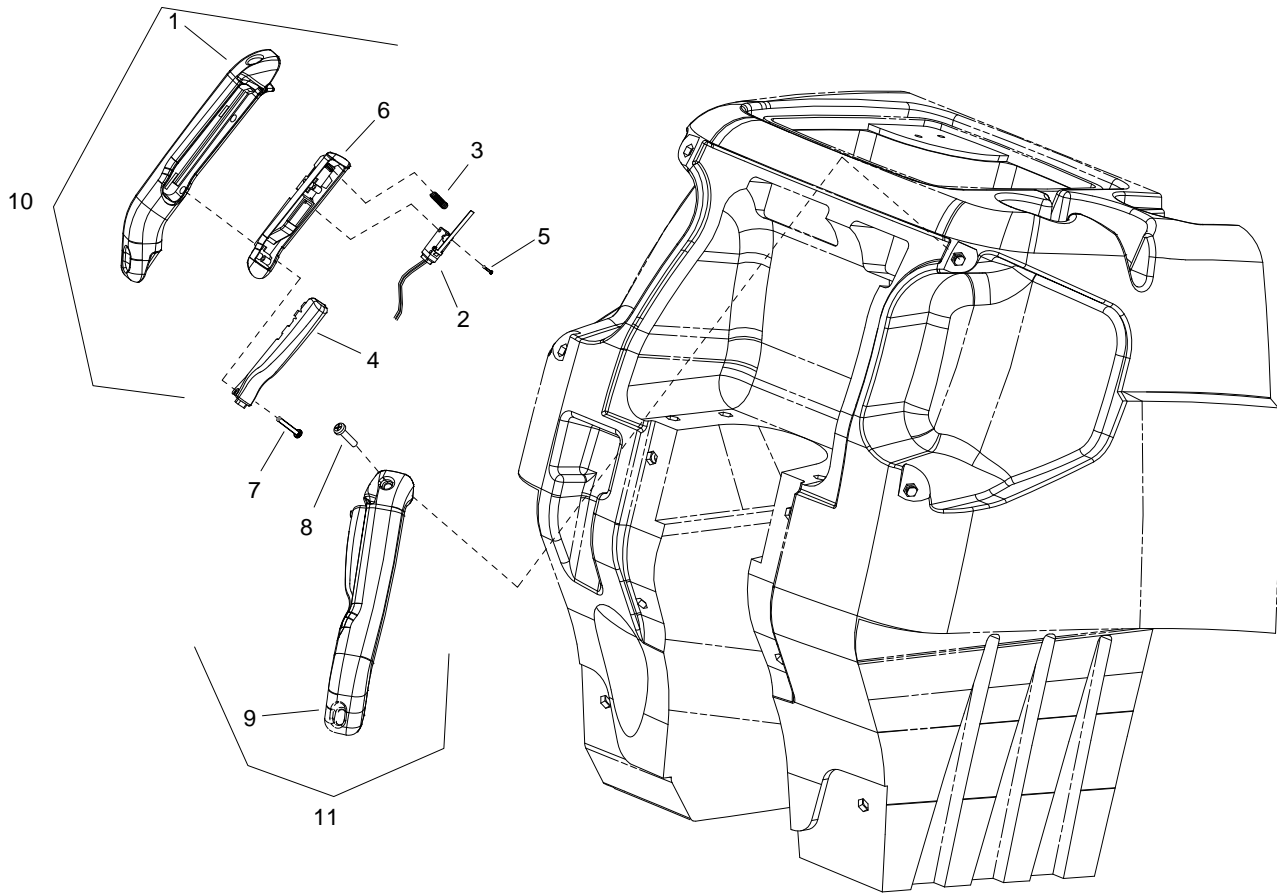


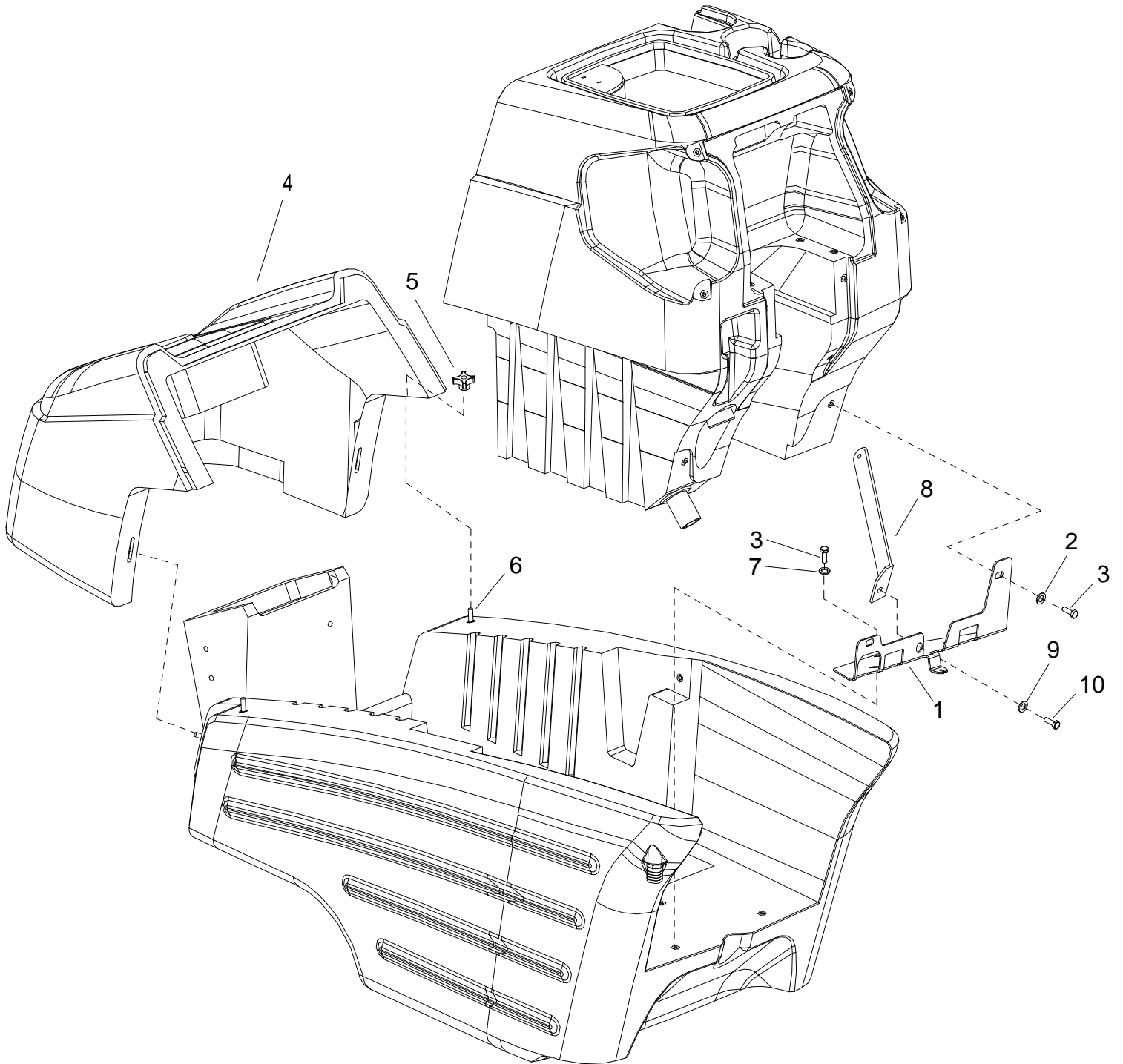
CONTROL HANDLE



CONTROL HANDLE

REF	PART NO.	PRV NO.	QTY	DESCRIPTION	SERIAL NO. FROM	NOTES:
1	86238730	38307	1	HANDLE, LEFT		
2	86257230	730125	2	SWITCH, SPST MOM NO W/LEVER		
3	86254920	730153	2	SPRING, COMP .240D X 1.25 X .018		
4	86231480	140504	2	BUTTON, PROPEL		
5	86277070	70784	2	SCR, 4-40 X 5/8 PPHMS		
6	86240990	41431	2	HOUSING, BUTTON		
7	86277060	70783	4	SCR, 8-32 X 7/8 PHTC TYPE 23		
8	86277050	70782	4	SCR, 5/16-18 X 3/4 SHCS NP		
9	86238740	38308	1	HANDLE, RIGHT		
10	86004120	38312	-	PROPEL HANDLE ASM, LEFT		SERVICE ONLY
11	86004130	38313	-	PROPEL HANDLE ASM, RIGHT		SERVICE ONLY

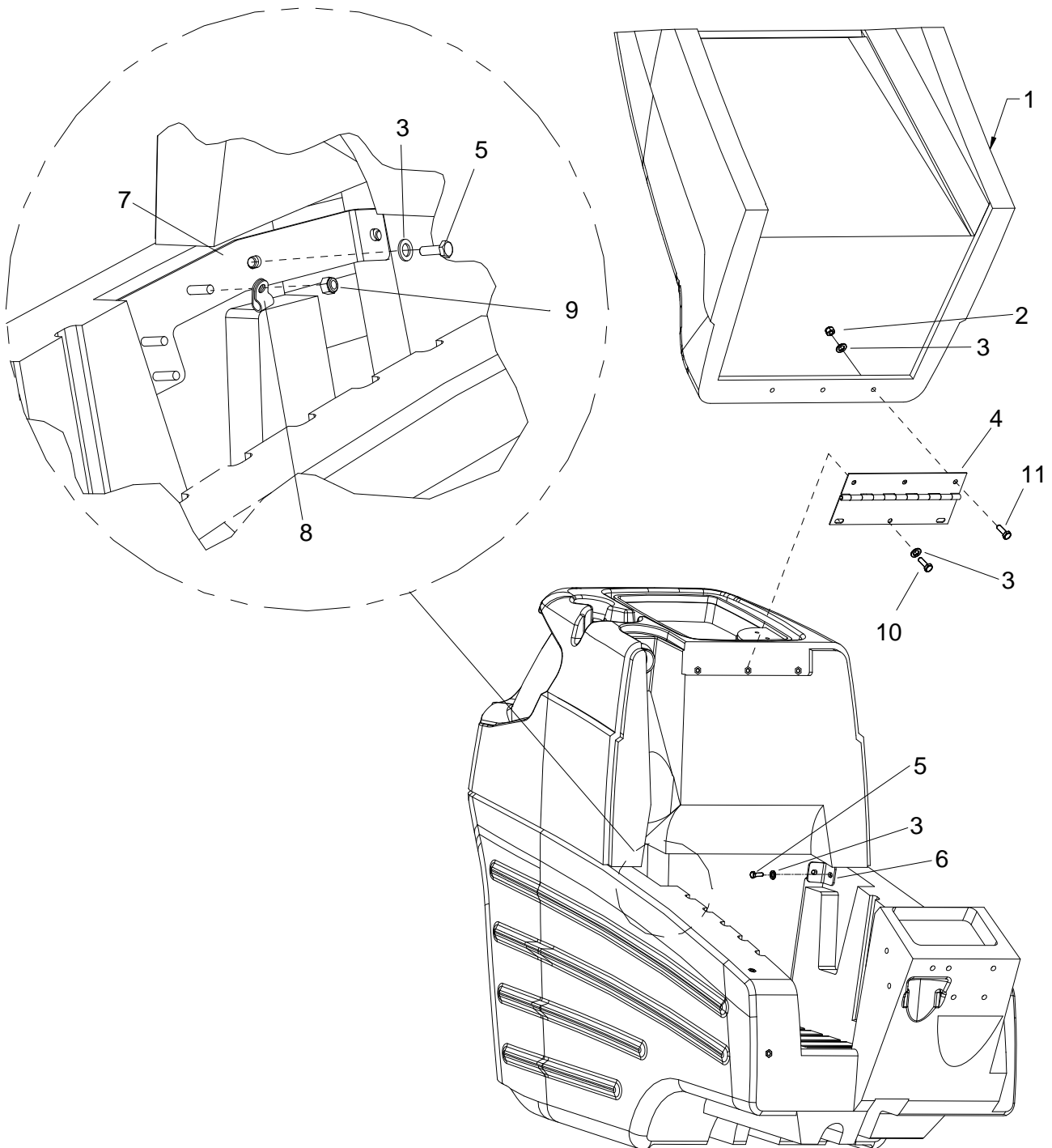
COVER (FRONT) & TANK MOUNT



COVER (FRONT) & TANK MOUNT

REF	PART NO.	PRV NO.	QTY	DESCRIPTION	SERIAL NO. FROM	NOTES:
1	86073690	140576	2	BRACKET, REC TO SOL W/BRAKE 36V		
2	86010670	87029	2	WASHER, 5/16 FLAT SS		
3	86276780	70728	5	SCR, 5/16-18 X 3/4 HHCS SS		
4	86062550	27927	1	COVER, FRONT 36V GRY		
5	86004790	48012	2	KNOB, 5/16-18 4 PRONG		
6	86276380	70639	4	SCR, 5/16-18 X 1.25 SSSCU		
7	86279630	87212	3	WASHER, .344ID X 1.13OD X .09T PLTD		
8	86065990	05256	1	ARM, TANK SUPPORT		
9	86010720	87086	1	WASHER, M10 X 30 PLTD		
10	86276920	70755	1	SCR, 3/8-16X1 HHCS SS NP		

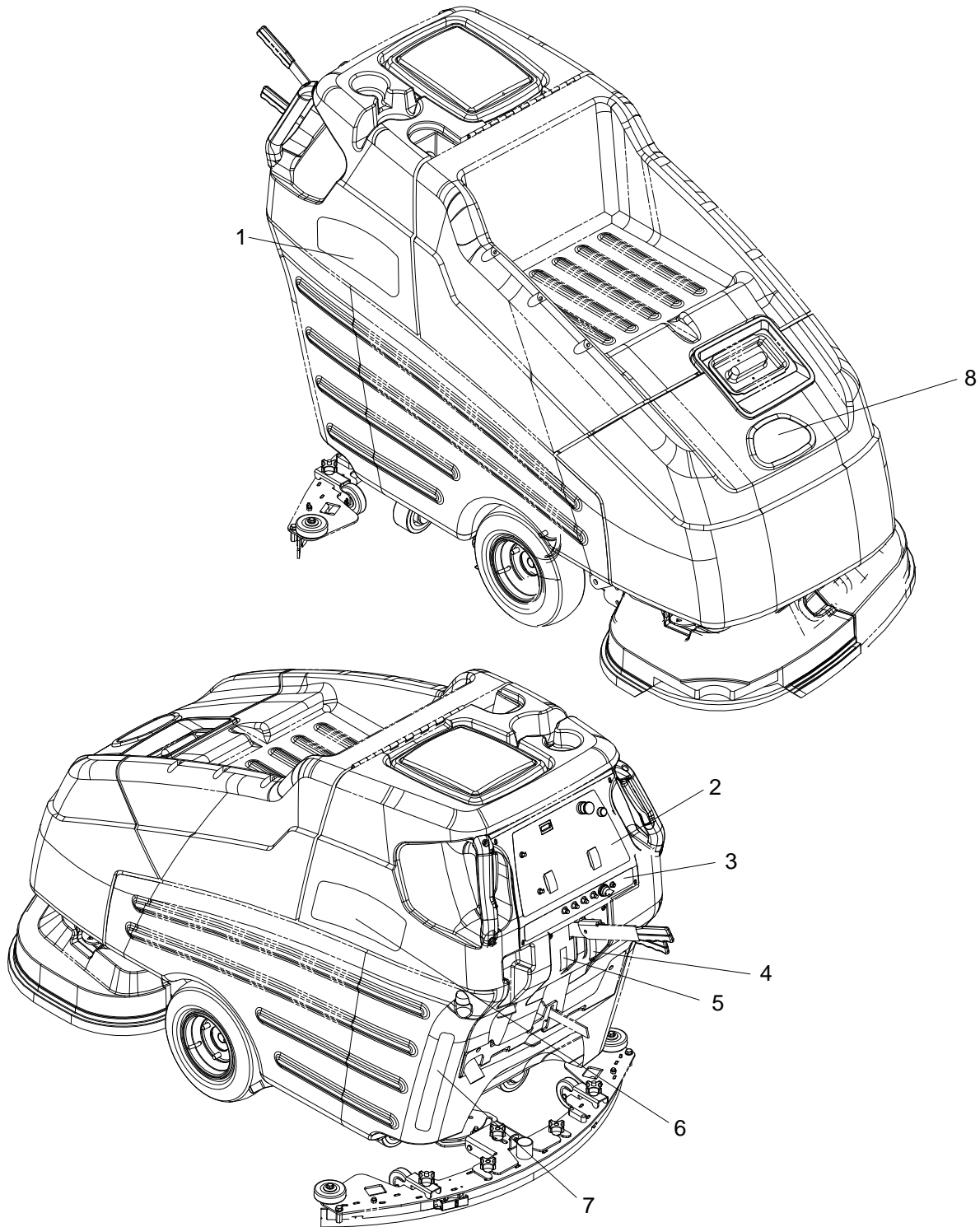
COVER (TOP) & TANK MOUNT



COVER (TOP) & TANK MOUNT

REF	PART NO.	PRV NO.	QTY	DESCRIPTION	SERIAL NO. FROM	NOTES:
1	86062560	27928	1	COVER, TOP 36V GRY		
2	86271840	57285	3	NUT, 5/16-18 HEX NYLOCK THIN SS		
3	86010670	87029	10	WASHER, 5/16 FLAT SS		
4	86239650	41432	1	HINGE, COVER TO TANK		
5	86276780	70728	4	SCR, 5/16-18 X 3/4 HHCS SS		
6	86069840	140525	1	BRACKET, TANK LEFT		
7	86069850	140526	1	BRACKET, TANK RIGHT 36V		
8	86233390	80887	1	CLAMP, 7/8 DIA "P" CUSHIONED		
9	86271870	57290	1	NUT, 1/4-20 HEX NYLOCK THIN SS		
10	86276490	70670	3	SCR, 5/16-18 X 5/8 HHCS SS		
-	86247670	58004	1	NET, CARGO W/HOOKS		NOT SHOWN
11	86276780	70728	3	SCR, 5/16-18 X 3/4 HHCS SS		

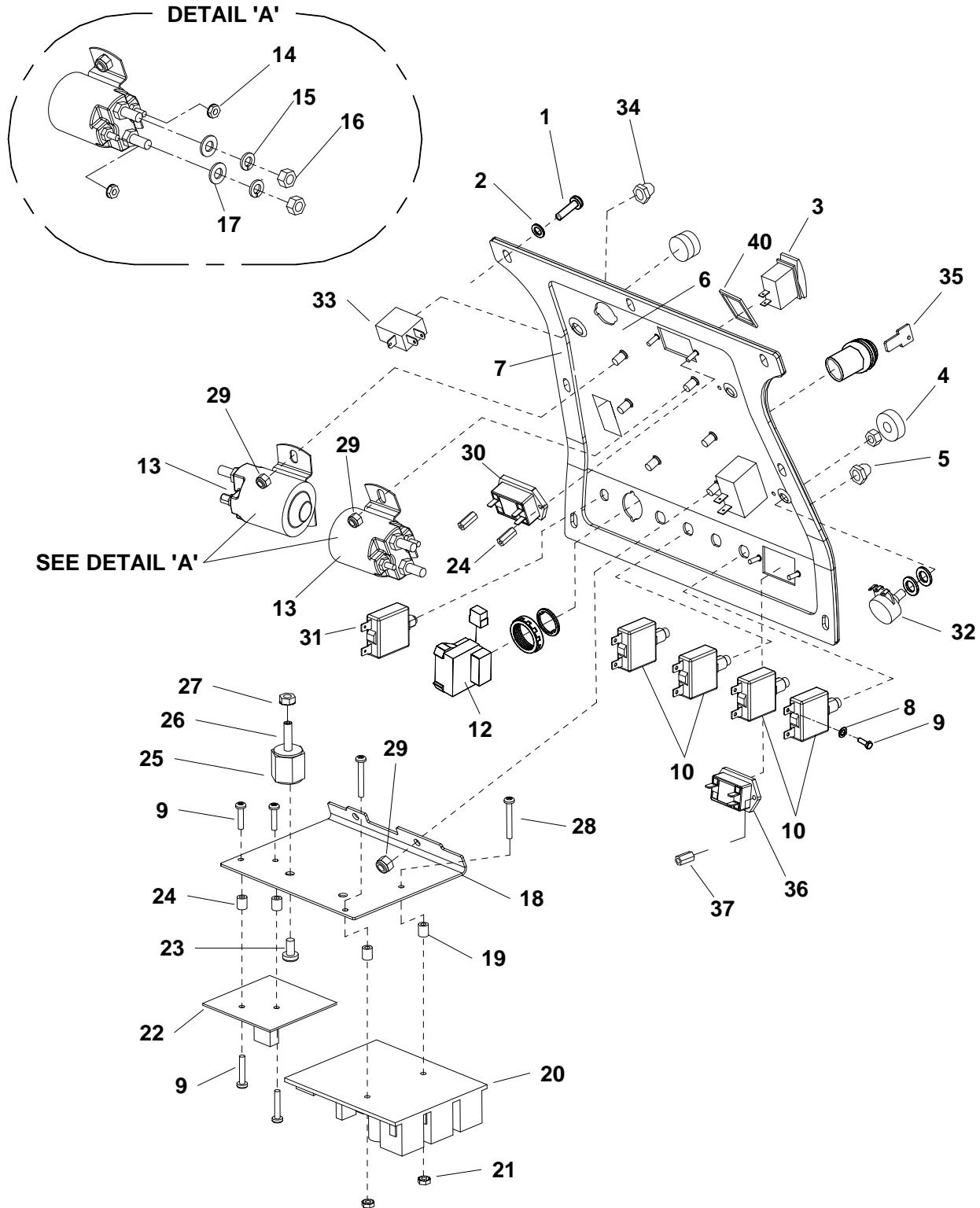
DECAL



DECAL

REF	PART NO.	PRV NO.	QTY	DESCRIPTION	SERIAL NO. FROM	NOTES:
1	86243560	500573	1	LABEL, CUTTER RIGHT		
2	86243620	500580	1	LABEL, ELEC. PANEL 36V BASIC		
3	86243610	500579	1	LABEL, ELEC. PANEL. LOWER 36V		
4	86243600	500578	1	LABEL, SQUEEGEE LEVER		
5	86243590	500577	1	LABEL, BRUSH LEVER		
6	86243550	500572	1	LABEL, CUTTER LEFT		
7	86243710	500625	1	LABEL, SOLUTION FILL 36V		
8	86004970	50990	1	LABEL, WINDSOR LOGO DOMED		

ELECTRICAL PANEL



ELECTRICAL PANEL

REF	PART NO.	PRV NO.	QTY	DESCRIPTION	SERIAL NO. FROM	NOTES:
1	86276290	70626	7	SCR, #10 X 3/4 PPHST HI-LO BLK		
2	86010800	87189	7	WASHER, .2 ID X .500 BLK SS		
3	86007140	72130	2	SWITCH, SPST 2-POSITION ROCKER		
4	86242110	48088	2	KNOB, .900D X .25 COLLET		
5	86008900	80845	4	BOOT, SEAL-PUSH BUTTON 7/16-28		
6	86082850	66367	1	PLATE, ELEC PANEL 36V BASIC		
7	86237820	35263	1	GASKET, ELEC PLATE 36V		
8	86279300	87134	8	WASHER, #6 LOCK		
9	86273990	70067	12	SCR, 6-32 X 3/8 PPHMS SS		
10	86001910	14606	4	BREAKER, 30A 50VDC CIRCUIT		
11	-	OPEN	-	-		
12	86007170	72159	1	SWITCH, KEY 2-POSITION		
13	86006370	67315	2	RELAY, 36VDC 100AMP HVY DUTY		
14	86005700	57104	4	NUT, 10-32 HEX W/ STAR WASH PLTD		
15	86279480	87166	6	WASHER, 5/16 EXT LOCK PLTD		
16	86271080	57117	4	NUT, 5/16-24 HEX PLTD		
17	86010760	87142	2	WASHER, .344 X .69 X .066 FLAT PLT		
18	86082820	66353	1	PLATE, ELEC PANEL BACK		
19	86254440	73734	2	SPACER, .166ID X .313OD X .375L AL		
20	86002940	27672	1	CONTROLLER,36VDC PROPEL MOTOR		
21	86270850	57026	2	NUT, 8-32 HEX NYLOCK SS		
22	86003250	27944	1	CIRCUIT BOARD, SOL/FLOAT WIRED		
23	86276880	70751	1	SCR, 1/4-20 X 3/8 HHCS SS		
24	86255890	730164	4	STANDOFF, 6-33 X 1.0 HEX NYL		
25	86255910	73659	1	STANDOFF, 1/4-20 X 1.0 HEX INS		
26	86006850	70393	1	SCR, 1/4-20 X 1.25 SSSCU		
27	86005710	57105	1	NUT, 1/4-20 HEX W/STAR WASHER		
28	86273910	70045	2	SCR, 8-32 X 1 PPHMS SS		
29	86271870	57290	6	NUT, 1/4-20 HEX NYLOCK THIN SS		
30	86246930	54144	1	METER, 36V BATTERY CHARGE LEVEL		
31	86002000	14717	1	BREAKER, 3AMP 1681-090-300		
32	86006310	66335	1	POTENTIOMETER, 50K OHMS		SERVICE ONLY
33	86257030	72168	1	SWITCH, MOMENTARY DPST		
34	86002010	14942	1	BOOT, 3/8 CIRCUIT BREAKER		
35	86004860	48073	1	KEY, SWITCH		SERVICE ONLY
36	86255900	73538	2	STANDOFF, 6-32 X 5/8 HEX NYL		
37	86005530	54154	1	METER, 12-48VDC LED HOUR		
38	86267340	880269	2	WIRE, 22" RED/18 76040 X 76075		NOT SHOWN
39	86267360	880271	1	WIRE, 14" BLK/18 76011 X 76040		NOT SHOWN
40	86238030	36235	2	GASKET, SWITCH CARLING		

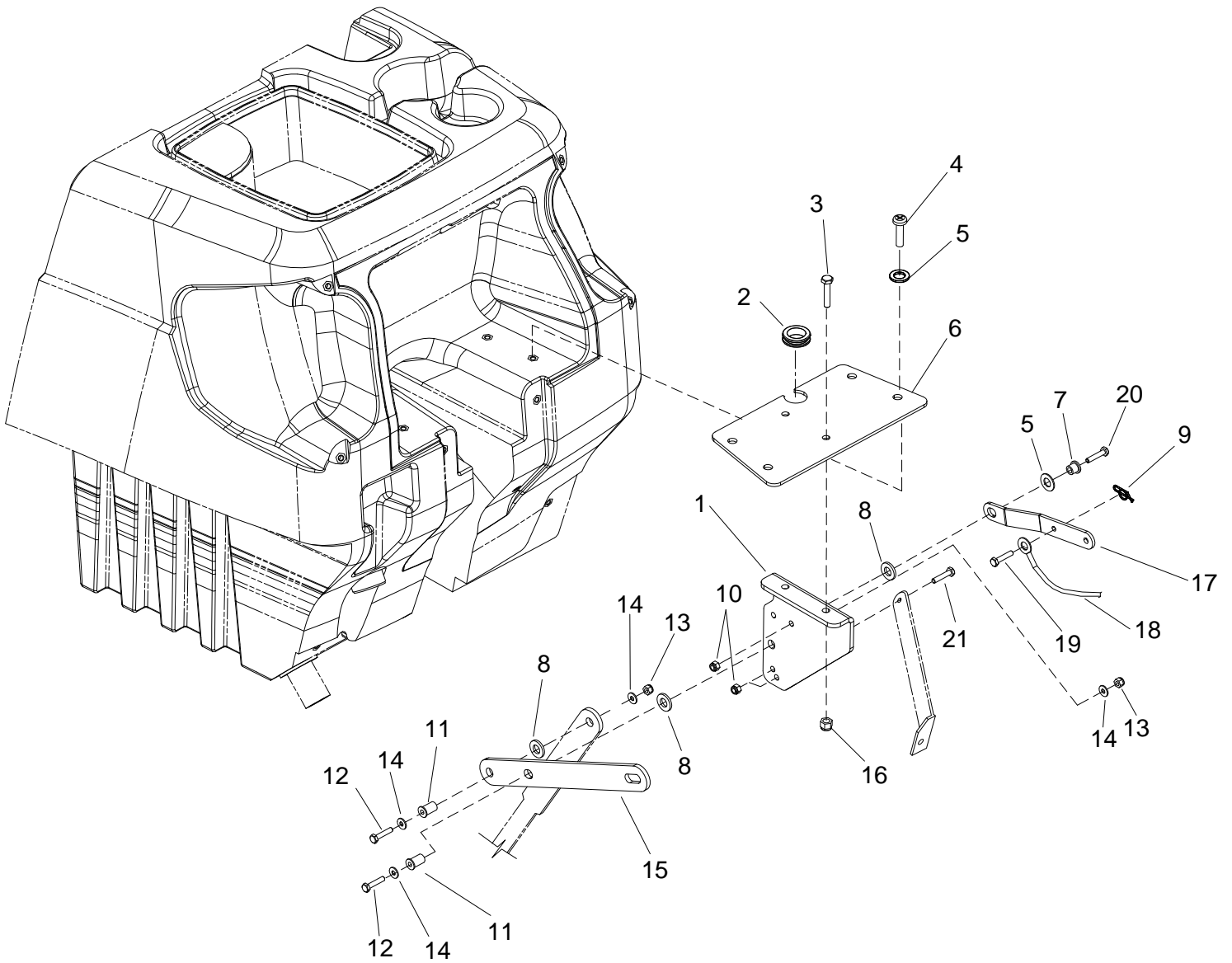
ELECTRICAL PANEL

REF	PART NO.	PRV NO.	QTY	DESCRIPTION	SERIAL NO. FROM	NOTES:
1	86276290	70626	7	SCR, #10 X 3/4 PPHST HI-LO BLK		
2	86294250	-	7	WASHER, .19 ID X .5 X .09TK BLK		
3	86007140	72130	2	SWITCH, SPST 2-POSITION ROCKER		
4	86242110	48088	2	KNOB, .90OD X .25 COLLET		
5	86008900	80845	4	BOOT, SEAL-PUSH BUTTON 7/16-28		
6	86082850	66367	1	PLATE, ELEC PANEL 36V BASIC		
7	86237820	35263	1	GASKET, ELEC PLATE 36V		
8	86279300	87134	8	WASHER, #6 LOCK		
9	86273990	70067	12	SCR, 6-32 X 3/8 PPHMS SS		
10	86001910	14606	4	BREAKER, 30A 50VDC CIRCUIT		
11	-	OPEN	-	-		
12	86007170	72159	1	SWITCH, KEY 2-POSITION		
13	86006370	67315	2	RELAY, 36VDC 100AMP HVY DUTY		
14	86005700	57104	4	NUT, 10-32 HEX W/ STAR WASH PLTD		
15	86279480	87166	6	WASHER, 5/16 EXT LOCK PLTD		
16	86271080	57117	4	NUT, 5/16-24 HEX PLTD		
17	86010760	87142	2	WASHER, .344 X .69 X .066 FLAT PLT		
18	86082820	66353	1	PLATE, ELEC PANEL BACK		
19	86254440	73734	2	SPACER, .166ID X .313OD X .375L AL		
20	86002940	27672	1	CONTROLLER,36VDC PROPEL MOTOR		
21	86270850	57026	2	NUT, 8-32 HEX NYLOCK SS		
22	86003250	27944	1	CIRCUIT BOARD, SOL/FLOAT WIRED		
23	86276880	70751	1	SCR, 1/4-20 X 3/8 HHCS SS		
24	86255890	730164	4	STANDOFF, 6-33 X 1.0 HEX NYL		
25	86255910	73659	1	STANDOFF, 1/4-20 X 1.0 HEX INS		
26	86006850	70393	1	SCR, 1/4-20 X 1.25 SSSCU		
27	86005710	57105	1	NUT, 1/4-20 HEX W/STAR WASHER		
28	86273910	70045	2	SCR, 8-32 X 1 PPHMS SS		
29	86271870	57290	6	NUT, 1/4-20 HEX NYLOCK THIN SS		
30	86246930	54144	1	METER, 36V BATTERY CHARGE LEVEL		
31	86002000	14717	1	BREAKER, 3AMP 1681-090-300		
32	86006310	66335	1	POTENTIOMETER, 50K OHMS		SERVICE ONLY
33	86257030	72168	1	SWITCH, MOMENTARY DPST		
34	86002010	14942	1	BOOT, 3/8 CIRCUIT BREAKER		
35	86004860	48073	1	KEY, SWITCH		SERVICE ONLY
36	86255900	73538	2	STANDOFF, 6-32 X 5/8 HEX NYL		
37	86005530	54154	1	METER, 12-48VDC LED HOUR		
38	86267340	880269	2	WIRE, 22" RED/18 76040 X 76075		NOT SHOWN
39	86267360	880271	1	WIRE, 14" BLK/18 76011 X 76040		NOT SHOWN
40	86238030	36235	2	GASKET, SWITCH CARLING		

LIFT HANDLE

REF	PART NO.	PRV NO.	QTY	DESCRIPTION	SERIAL NO. FROM	NOTES:
1	86077260	51364	1	LEVER, DECK SWING		
2	86082900	66373	1	PLATE, LEVER NOTCH BASIC 36V		
3	86259400	87205	2	WASHER, THRUST .51ID X 1OD BRO		
4	86010670	87029	6	WASHER, 5/16 FLAT SS		
5	86276780	70728	4	SCR, 5/16-18 X 3/4 HHCS SS		
6	86006930	70514	2	SCR, 5/16-18 X 1.00 BSHCS SS		
7	86066860	140537	1	BAR, SQG LIFT SWING 36V		
8	86238360	36215	1	GRIP, 3/16 X 1.0 ORANGE		
9	86228840	09124	2	BEARING, FLANGED .314ID X .502OD		
10	86271840	57285	2	NUT, 5/16-18 HEX NYLOCK THIN SS		
11	86238350	36214	1	GRIP, 3/16 X 1.0 BLUE		

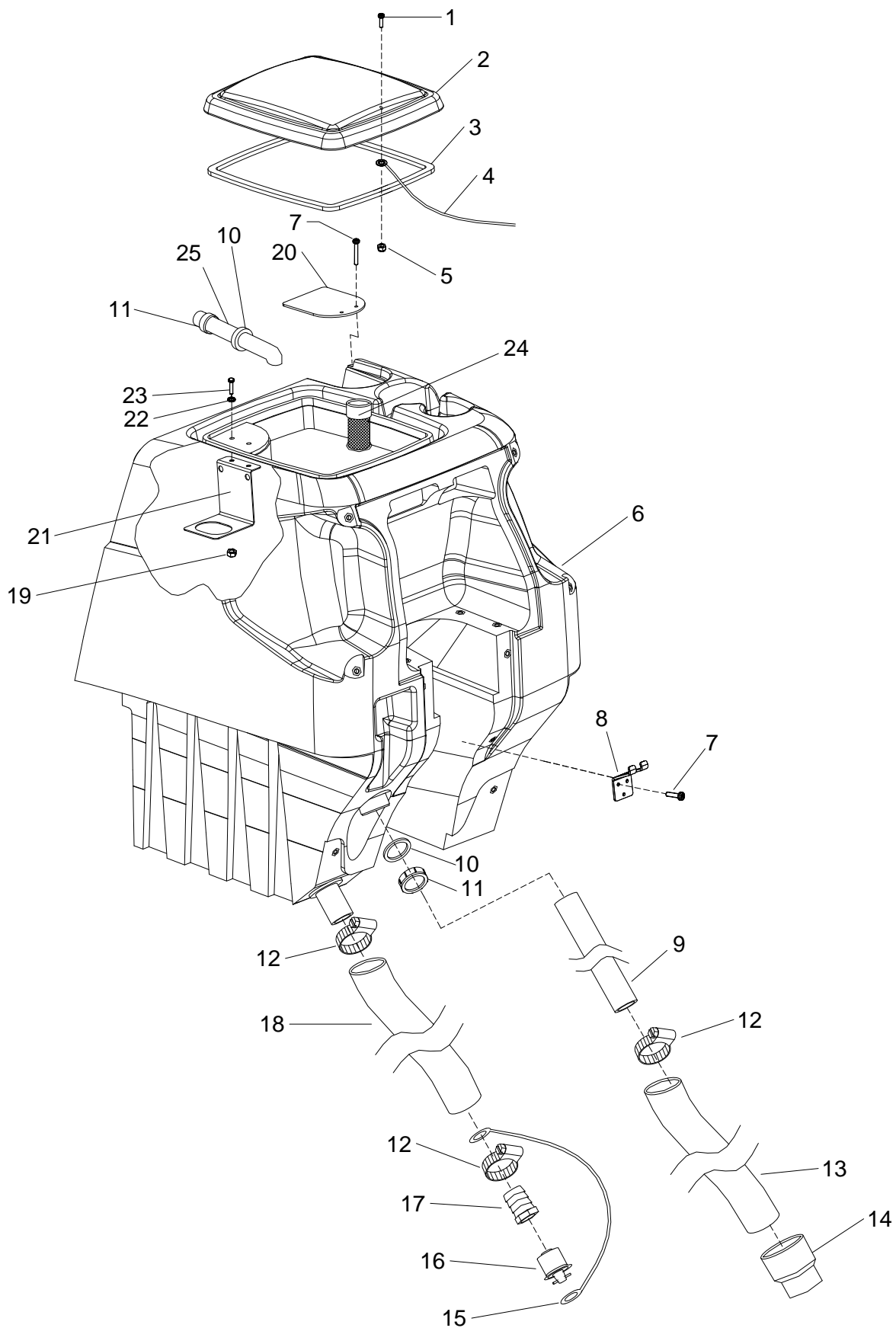
LIFT HANDLE LINKAGE



LIFT HANDLE LINKAGE

REF	PART NO.	PRV NO.	QTY	DESCRIPTION	SERIAL NO. FROM	NOTES:
1	86069830	140524	1	BRKT, LEVER, PIVOT BOTTOM 36V		
2	86238430	36191	1	GROMMET 1.00 ID 3/16 GRIP		
3	86276920	70755	2	SCR, 3/8-16 X 1 HHCS SS NP		
4	86276780	70728	5	SCR, 5/16-18 X 3/4 HHCS SS		
5	86010670	87029	5	WASHER, 5/16 FLAT SS		
6	86082890	66372	1	PLATE, PIVOT TOP		
7	86228840	09124	1	BEARING, FLANGED .314 D X .502 OD		
8	86259400	87205	3	WASHER, THRUST .51 ID X 1 OD BRO		
9	86008650	80604	1	COTTER, 1/4" RING		
10	86271840	57285	2	NUT, 5/16-18 HEX NYLOCK THIN SS		
11	86228900	09138	2	BEARING FLANGED .252ID X .503 OD		
12	86273820	70019	2	SCR, 1/4-20 X 1.25 HHCS SS		
13	86271870	57290	2	NUT, 1/4-20 HEX NYLOCK THIN SS		
14	86010630	87013	4	WASHER, 1/4 ID X 5/8 OD SS		
15	86066840	140516	1	BAR, DECK LIFT FIXED, 36V		
16	86005630	57022	2	NUT, 3/8-16 HEX NYLOCK THIN SS		
17	86077210	140536	1	LEVER, SQG LIFT FIXED 36V		
18	86003240	27942	1	CABLE, .125X26.5, 0707,SS,LB,E-E		
19	86009560	82053	1	PIN, CLEVIS 1/4 X .63 PLTD		
20	86007020	70673	1	SCR, 5/16-18 X 1.25 HHCS SS NP		
21	86006560	70083	1	SCR, 5/16-18 X 1 HHCS SS NP		

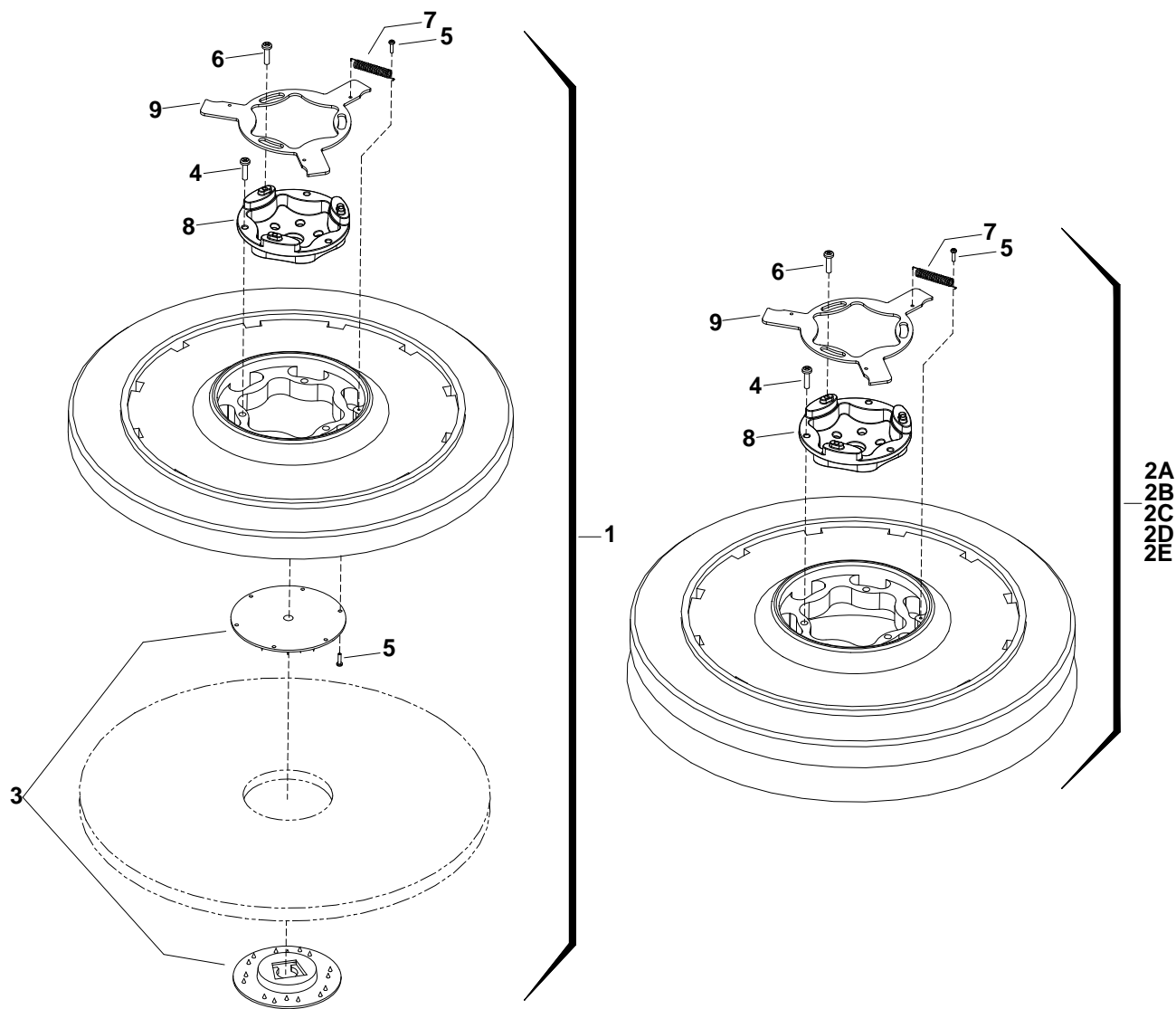
RECOVERY TANK



RECOVERY TANK

REF	PART NO.	PRV NO.	QTY	DESCRIPTION	SERIAL NO. FROM	NOTES:
1	86274220	70134	1	SCR, 6-32 X 5/8 PPHMS SS		
2	86003340	28062	1	DOMES, 13 X 11		
3	86003990	35250	1	GASKET, DOME		
4	86246080	51368	2	LANYARD, 18.0 W/ LOOP & EYE		
5	86014810	-	1	NUT, 6-32 ACORN SS		
6	86032560	75373	1	TANK, RECOVERY 36V GRY		
7	86276290	70626	5	SCR, #10 X 3/4 PPHST HI-LO BLK		
8	86001190	140133	1	BRACKET, RECOVERY HOSE MTG		
9	86069630	78490	1	TUBE, 1.5 PVC X 24.0		
10	86237650	35219	2	GASKET, 1-1/2 COMPRESSION		
11	86005660	57033	2	NUT, 1.5 SLIP JOINT		
12	86002400	20064	3	CLAMP, 2.0" WORM GEAR X .312W		
13	86004180	39315	1	HOSE, 1.5 BLK VAC X 28"		
14	86002840	27282	1	CUFF, 1.5 SLIP X 1.5 HOSE		
15	86008400	78499	1	TETHER, DRAIN PLUG		
16	86006240	66227	1	PLUG, DRAIN HOSE		
17	86004450	40019	1	HOSEBARB, 1.5 DOUBLE MCHD		
18	86004260	39472	1	HOSE, 1.5 X 24.0 DRAIN		
19	86271870	57290	2	NUT, 1/4-20 HEX NYLOCK THIN SS		
20	86075550	27955	1	COVER, VACUUM HOSE 36V		
21	86069780	140511	1	BRACKET, VAC INTAKE		
22	86010630	87013	2	WASHER, 1/4ID X 5/8OD SS		
23	86273810	70018	2	SCR, 1/4-20 X 1 HHCS SS		
24	86236410	34394	1	FLOAT, VAC SHUT OFF		
25	86257860	78390	1	TUBE, 1.5 WASTE		

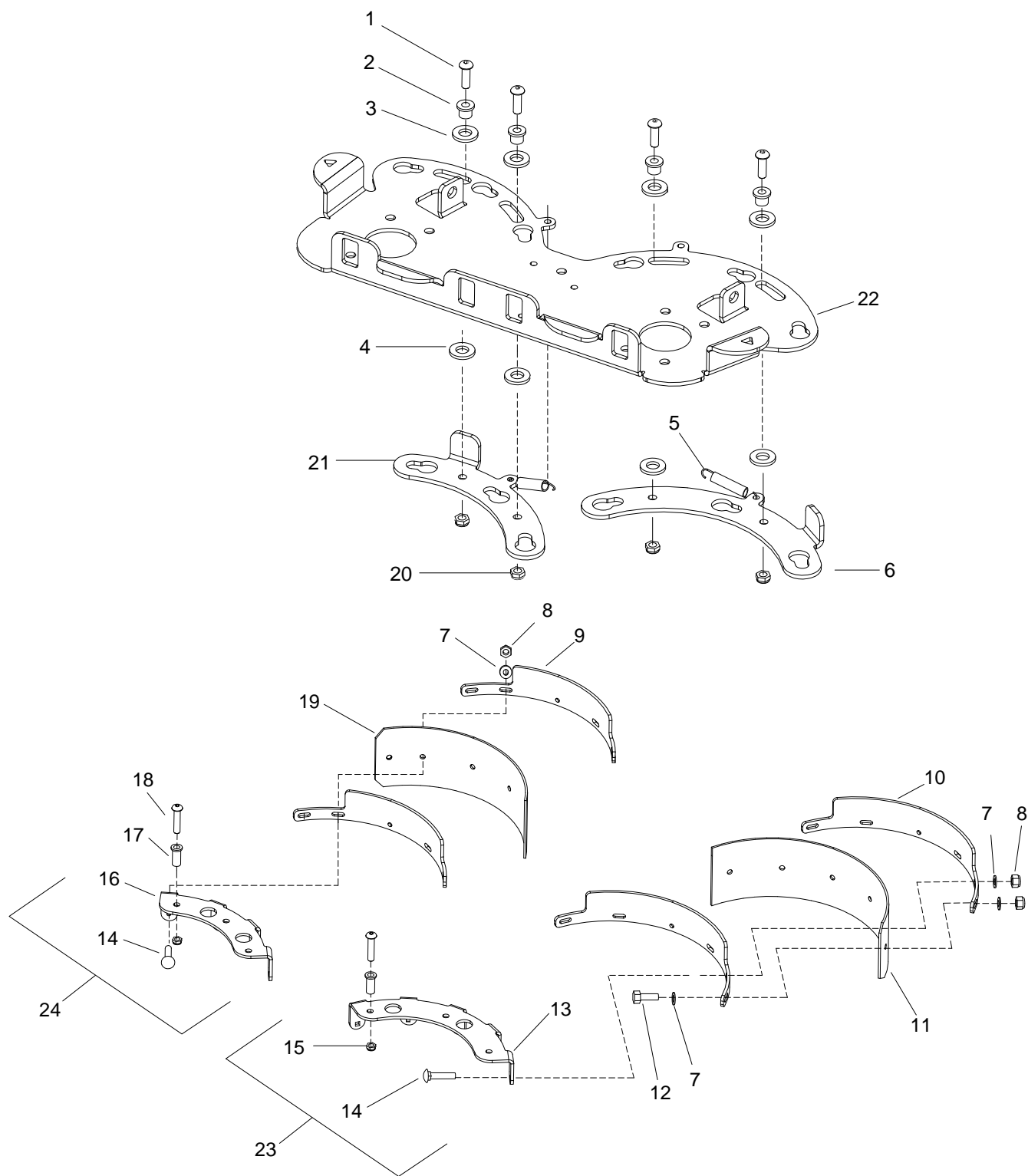
SCRUB BRUSH/PAD DRIVER 32 IN



SCRUB BRUSH/PAD DRIVER 32 IN

REF	PART NO.	PRV NO.	QTY	DESCRIPTION	SERIAL NO. FROM	NOTES:
1	86000290	02418	2	PAD DRIVER, 16" SD		
2A	86000300	02419	2	BRUSH, 16" POLYPROPYLENE SD		
2B	86000310	02420	2	BRUSH, 16" NYLON SD		
2C	86000320	02421	2	BRUSH, 16" NYLON POLISH SD		
2D	86000330	02422	2	BRUSH, 16" MILD GRIT SD		
2E	86000340	02423	2	BRUSH, 16" SUPER AGGRESSIVE SD		
3	86005070	51284	1	LOCK, PAD CENTER SNAP, TWO STEP		
4	86276590	70695	3	SCR, #12 X 1.0 PPHMS SS		
5	86276580	70694	4	SCR, 8-32 X 3/4 PTHMS SS		
6	86276600	70696	3	SCR, 10-32 X 3/4 PTHMS SS		
7	86007910	73817	1	SPRING, EXT .31 D X 2.0 L X .03 W		
8	86007280	730011	1	SOCKET, DRIVE BRUSH		
9	86005940	62852	1	PLATE, BRUSH RELEASE		

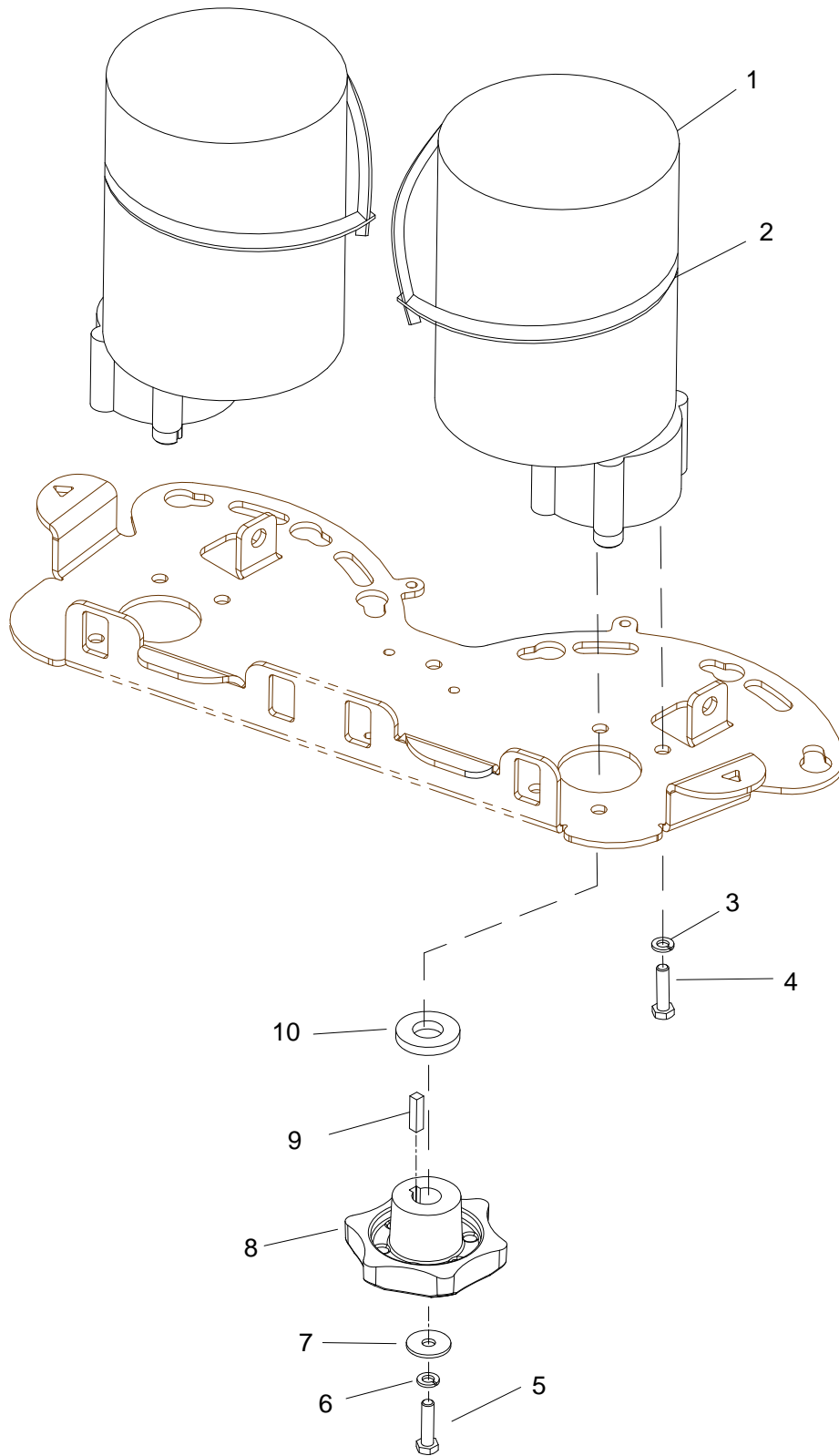
SCRUB DECK AQUA-MIZER



SCRUB DECK AQUA-MIZER

REF	PART NO.	PRV NO.	QTY	DESCRIPTION	SERIAL NO. FROM	NOTES:
1	86006930	70514	4	SCR, 5/16-18 X 1.00 BSHCS SS		
2	86228840	09124	4	BEARING, FLANGED .314 ID X .502 OD		
3	86259420	87232	4	WASHER, THRUST .51 ID X 1 OD BRO		
4	86259400	87205	4	WASHER, THRUST .51 ID X 1 OD BRO		
5	86255060	73426	2	SPRING, EXT. .43D X 2.50L X .047W		
6	86249590	66374	1	PLATE, AQ LOCK LEFT 16 IN		
7	86010630	87013	13	WASHER, 1/4 ID C 5/8 OD SS		
8	86271870	57290	11	NUT, 1/4-20 HEX NYLOCK THIN SS		
9	86256020	730131	2	STRAP, AQ, BACK, L 16 INCH		
10	86256010	730130	2	STRAP, AQ, BACK, R 16 INCH		
11A	86001430	140528	1	BLADE, AQ LEFT 16 INCH		
11B	86135160	730429	1	BLADE, AQ LT 16 INCH URETHANE		
12	86273780	70015	2	SCR, 1/4-20 X 3/4 HHCS SS NP		
13	86082870	66370	1	PLATE, AQ ATTACH L, 16"		
14	86276960	70773	9	SCR, 1/4-20 X 1 CARRIAGE SS		
15	86005630	57022	6	NUT, 3/8-16 HEX NYLOCK THIN SS		
16	86082880	66371	1	PLATE, AQ, ATTACH R 16 IN		
17	86228910	09139	6	BEARING, FLANGED .377 ID C .502 OD		
18	86276860	70747	6	SCR, 3/8-16 X 1.75 BSHCS SS		
19A	86001420	140527	1	BLADE, AQ RIGHT 16 INCH		
19B	86135170	730430	1	BLADE, AQ RT 16 INCH URETHANE		
20	86271840	57285	4	NUT, 5/16-18 HEX NYLOCK THIN SS		
21	86249600	66375	1	PLATE, AQ LOCK RIGHT 16 IN		
22	86236670	34393	1	FRAME, 36V SCRUB DECK		
23	86024960	47396	-	AQUA-MIZER 32IN SCRUBHEAD, LEFT		SERVICE ONLY
24	86004700	47401	-	AQUA-MIZER 32IN SCRUBHEAD, RIGHT		SERVICE ONLY

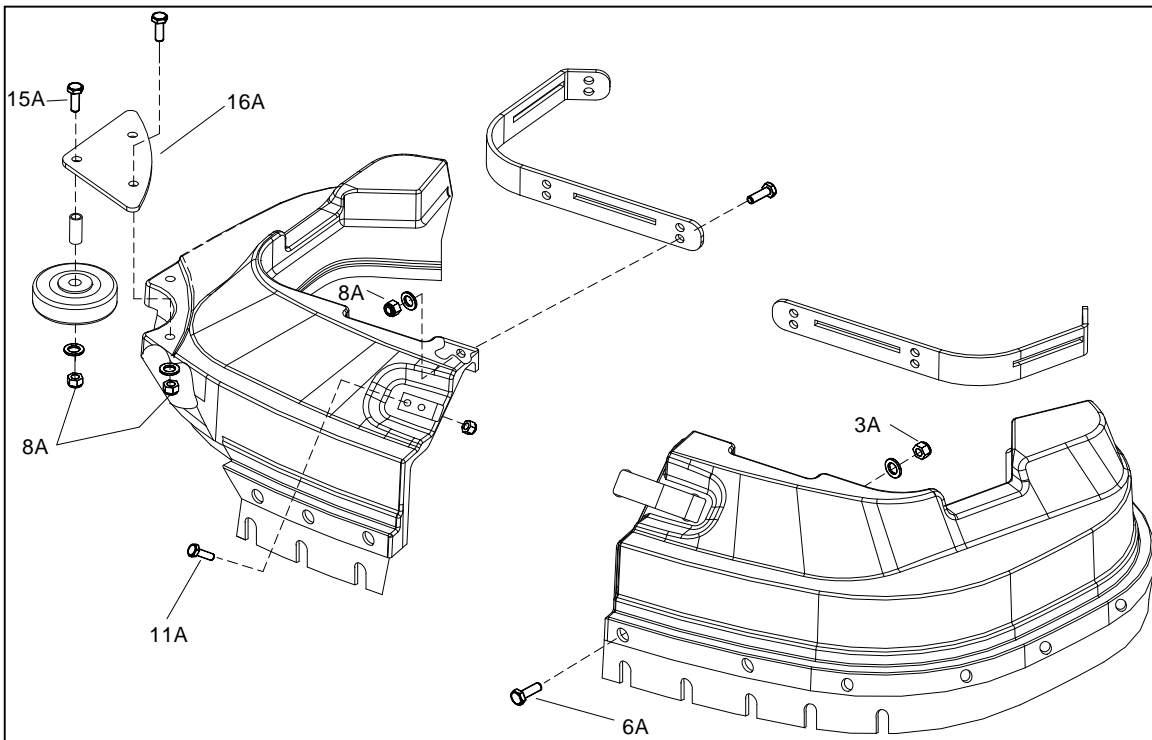
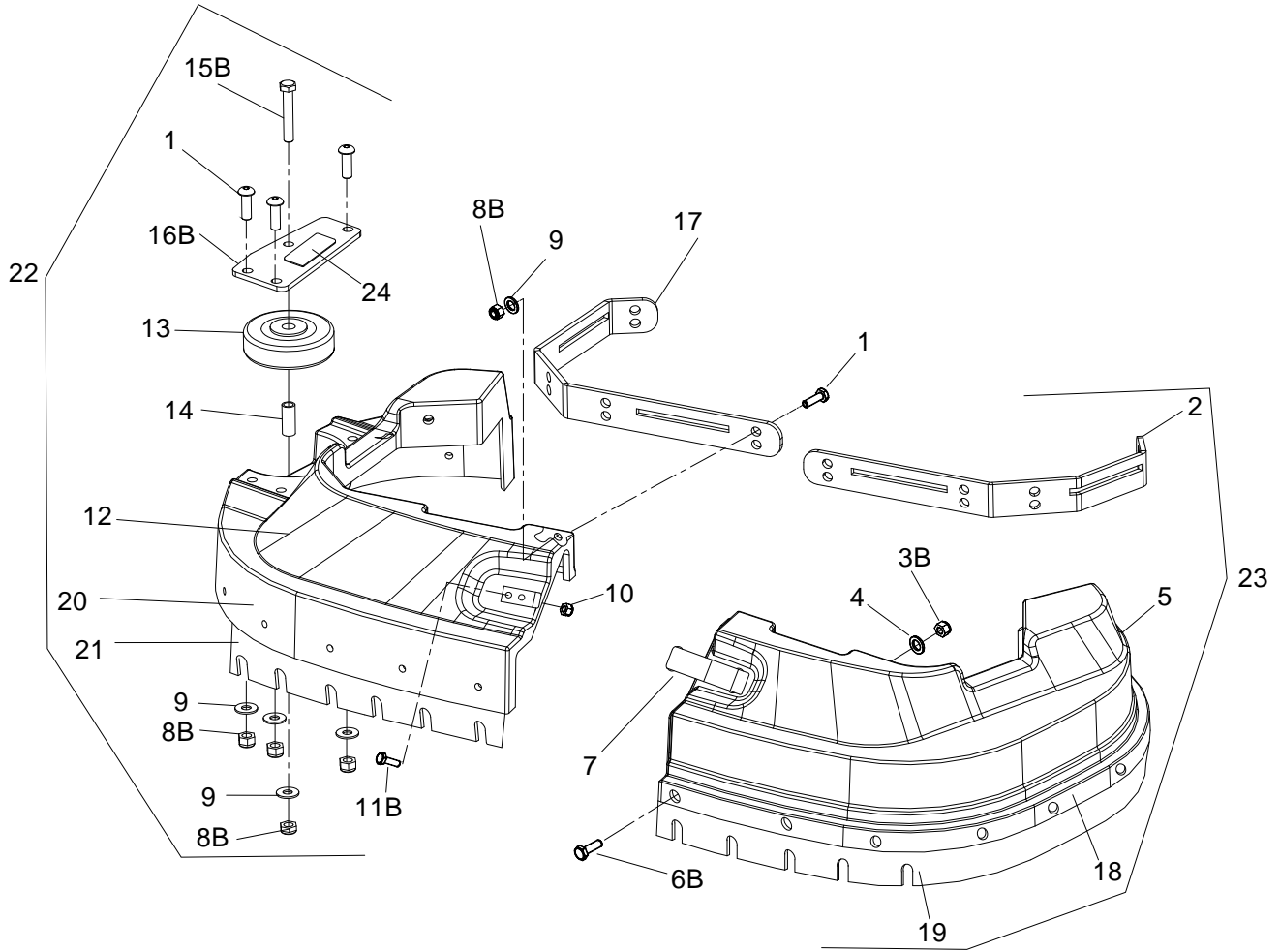
SCRUB DECK MOTORS



SCRUB DECK MOTORS

REF	PART NO.	PRV NO.	QTY	DESCRIPTION	SERIAL NO. FROM	NOTES:
1	86005340	53632	2	MOTOR ASM, 36VDC 200RPM GEAR		
2	86002830	27196	2	CABLE TIE, .375 X 24.7		
3	86010790	87163	8	WASHER, 3/8 SPLIT LOCK PLTD		
4	86276970	70774	8	SCR, 3/8-16 X 3/4HHCS SS		
5	86007020	70673	2	SCR, 5/16-18 X 1.25 HHCS SS NP		
6	86279130	87083	2	WASHER, 5/16 SPLIT LOCK PLTD		
7	86279630	87212	2	WASHER, .344ID X 1.13OD X .09T PLTD		
8	86003420	29220	2	DRIVER, BRUSH SD		
9	86004810	48040	2	KEY, 1/4 SQ. X 1.00		
10	86279640	87213	2	WASHER, .78ID X 1.63OD X .25T PLTD		

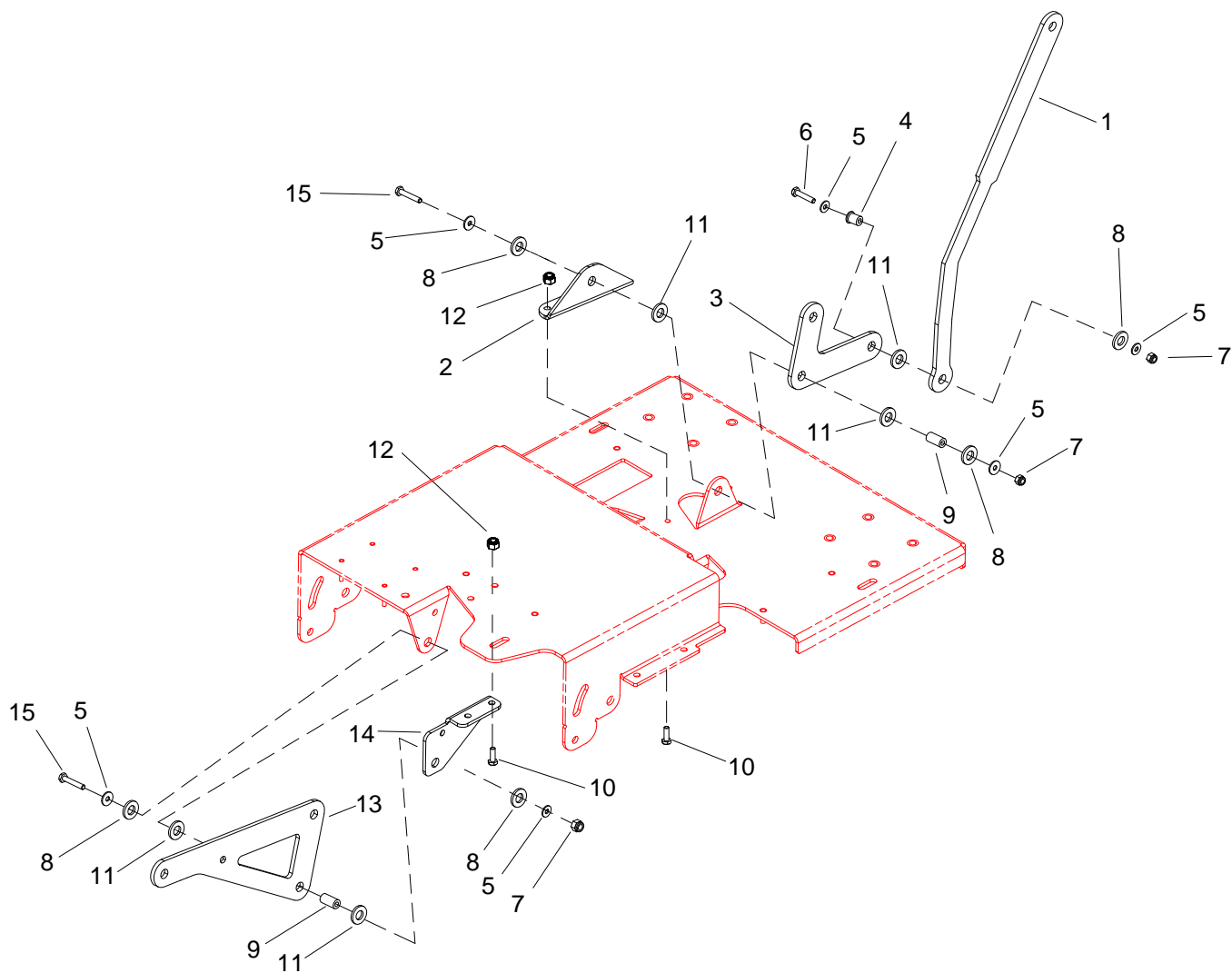
SCRUB DECK SKIRT



SCRUB DECK SKIRT

REF	PART NO.	PRV NO.	QTY	DESCRIPTION	SERIAL NO. FROM	NOTES:
1	86290040	-	10	SCR, 5/16-18 X 3/4 BSHCS SS		
2	86070050	140563	1	BRACKET, SHROUD RETAINER LEFT		
3	86271900	57294	19	NUT, 10-24 HEX NYLOCK THIN SS		
4	86010650	87018	19	WASHER, #10 X 9/16 OD		
5	86062960	730136	1	SHROUD, SCRUB DECK 32" LEFT		
6	86277110	70789	19	SCR, 10-24 X 3/4 PPHMS SS		
7	86161800	46-802531	1	LATCH & CONCEALED KEEPER		
8	86271840	57285	10	NUT, 5/16-18 HEX NYLOCK THIN SS	1000094309	
9	86292500	-	10	WASHER, 5/16 ID X 9/16 OD SS		
10	86270920	57049	4	NUT, 6-32 HEX NYLOCK SS		
11	86273950	70056	4	SCR, 6-32 X 1/2 PPHMS SS	1000094309	
12	86062970	730137	1	SHROUD, SCRUB DECK 32" RIGHT		
13	86011020	89202	1	WHEEL, 3" DIA CUSHION RUBBER		
14	86001350	140390	1	BUSHING, SPANNER, .435 X 1.10		
15	86277150	70797	1	SCR, 5/16-18 X 2 BSHCS SS	1000094309	
16	86082950	66385	1	PLATE, BUMPER WHEEL ATTACH	1000094309	
17	86070040	140562	1	BRKT, SHROUD RETAINER RIGHT		
18	86066410	140549	1	BAND, SKIRT LEFT 32 INCH		
19	86007530	730145	1	SKIRT, 32 INCH LEFT		
20	86066400	140548	1	BAND, SKIRT RIGHT 32 INCH		
21	86007540	730146	1	SKIRT, 32 INCH RIGHT		
22	86004710	47412	-	SHROUD ASM, 32" RIGHT SCRUBHEAD		SERVICE ONLY
23	86004720	47413	-	SHROUD ASM, 32" LEFT SCRUBHEAD		SERVICE ONLY
24	86244100	500831	1	LABEL, AQUA-MIZER		

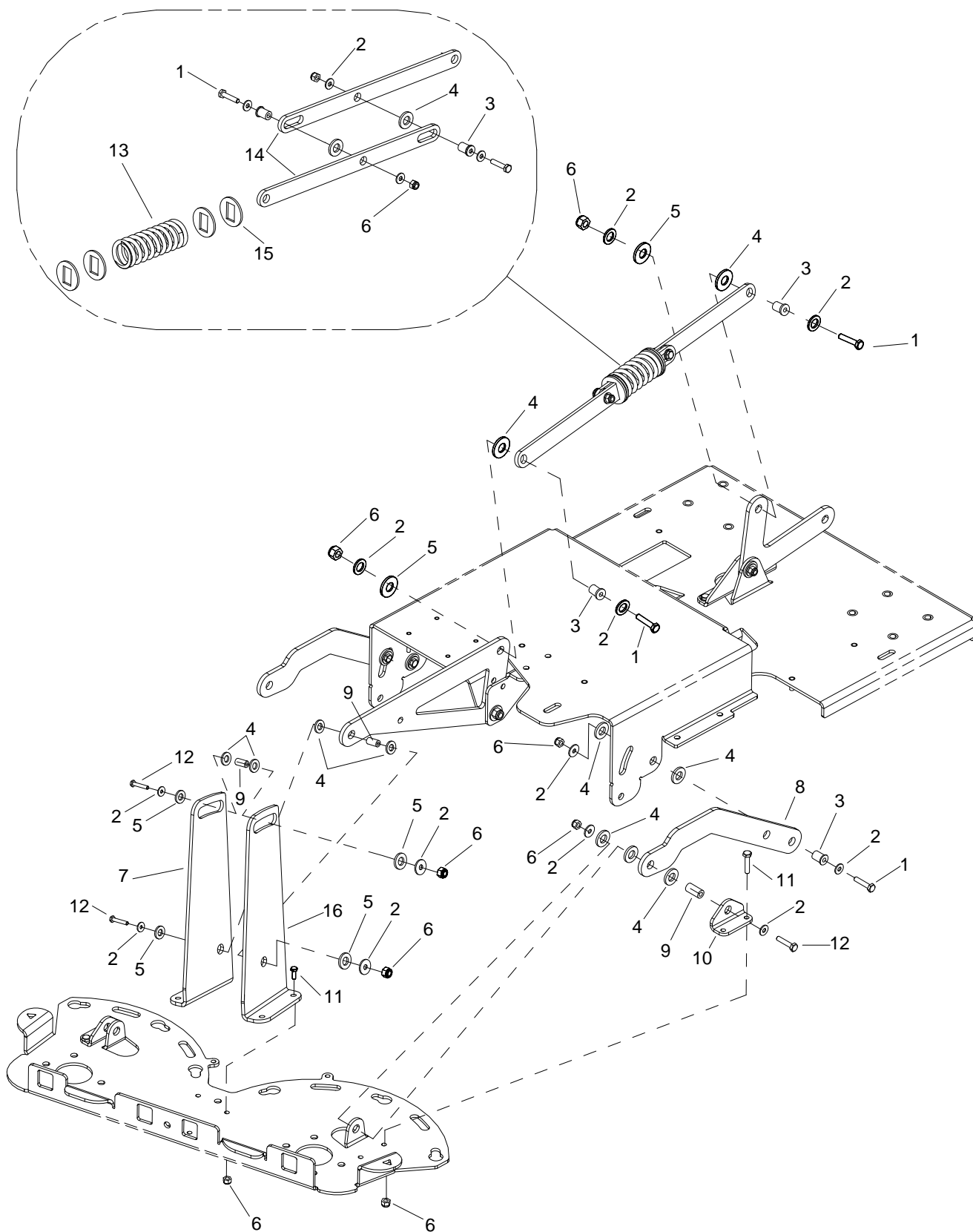
SCRUB DECK LIFT LINKAGE



SCRUB DECK LIFT LINKAGE

REF	PART NO.	PRV NO.	QTY	DESCRIPTION	SERIAL NO. FROM	NOTES:
1	86066820	140514	1	BAR, VERTICAL LINKAGE, REAR		
2	86070000	140558	1	BRACKET, BELLCRANK SUPPORT REAR		
3	86066830	140515	1	BAR, DECK LINKAGE REAR		
4	86228900	09138	1	BEARING, FLANGED .252ID X .503OD		
5	86010630	87013	6	WASHER, 1/4ID X 5/8OD SS		
6	86273820	70019	1	SCR, 1/4-20 X 1.25 HHCS SS		
7	86271870	57290	3	NUT, 1/4-20 HEX NYLOCK THIN SS		
8	86259410	87206	5	WASHER, THRUST .51ID X 1OD X .063		
9	86228920	09140	2	BEARING, .252ID X .503OD X 1.0		
10	86276780	70728	4	SCR, 5/16-18 X 3/4 HHCS SS		
11	86259400	87205	5	WASHER, THRUST .51ID X 1OD BRO		
12	86271840	57285	4	NUT, 5/16-18 HEX NYLOCK THIN SS		
13	86066800	140512	1	BAR, LINKAGE, FRONT		
14	86070010	140559	1	BRACKET, FRAME MOUNT 36V		
15	86273740	70010	2	SCR, 1/4-20 X 1.5 HHCS SS		

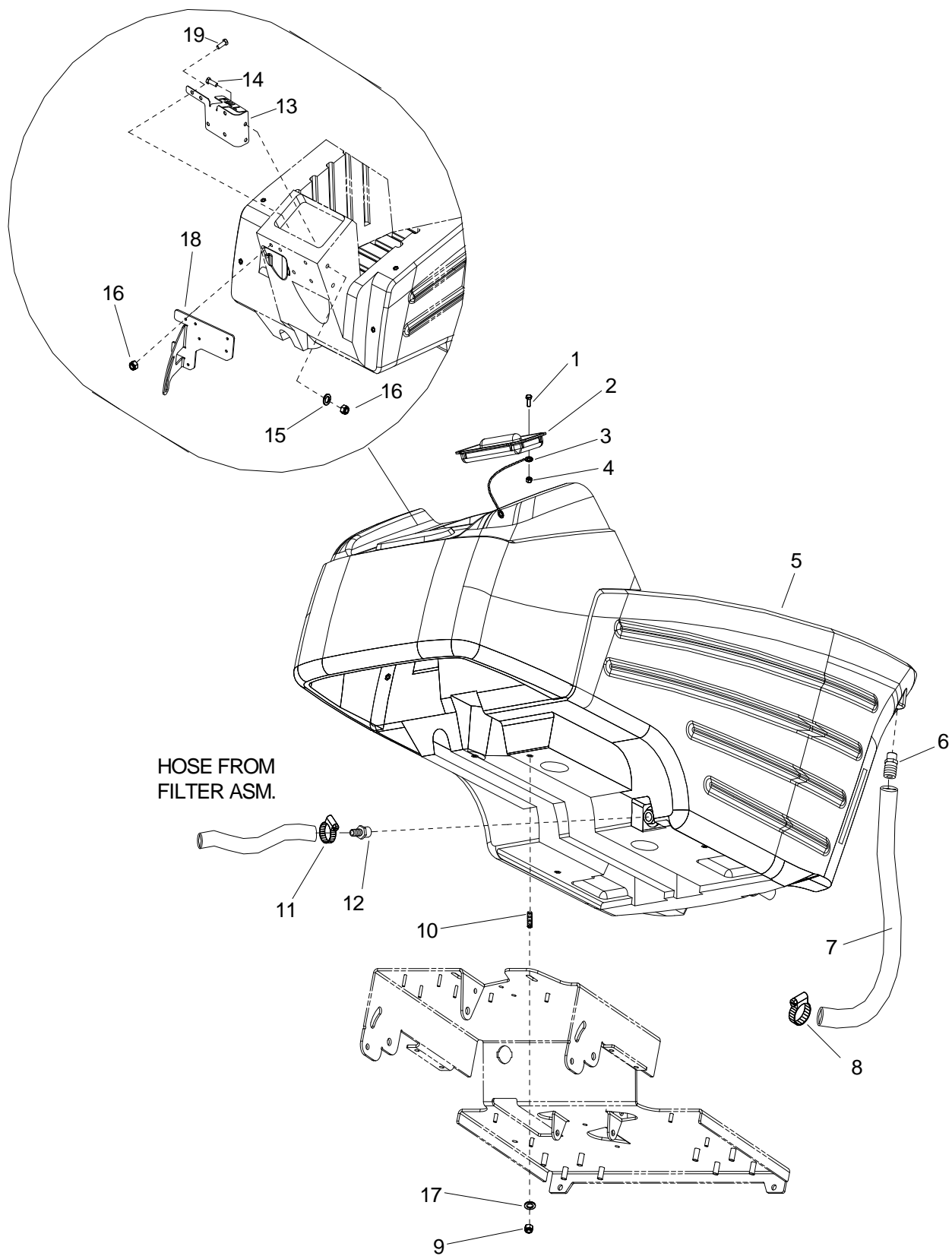
SCRUB DECK LIFT LINKAGE



SCRUB DECK LIFT LINKAGE

REF	PART NO.	PRV NO.	QTY	DESCRIPTION	SERIAL NO. FROM	NOTES:
1	86273820	70019	8	SCR, 1/4-20 X 1.25 HHCS SS		
2	86010630	87013	24	WASHER, 1/4 ID X 5/8 OD SS		
3	86228900	09138	8	BEARING FLANGED, .252 ID X .503 OD		
4	86259400	87205	20	WASHER, THRUST .51 ID X 1 OD BRO		
5	86259410	87206	6	WASHER, THRUST .51 ID X 1 OD X .063		
6	86271870	57290	18	NUT, 1/4-20 NYLOCK THIN SS		
7	86070200	140582	1	BRKT, SCRUB DECK LIFT, R.H.		
8	86066850	140519	2	BAR, LINKAGE RIGHT		
9	86228920	09140	4	BEARING, .252 ID X .503 OD X 1.0		
10	86070030	140561	2	BRKT, ANGLE SUPPORT 36V		
11	86273780	70015	8	SCR, 1/4-20 X 3/4 HHCS SS NP		
12	86273740	70010	4	SCR, 1/4-20 X 1.5 HHCS		
13	86254880	730005	1	SPRING, COMP 1.687 OD X 4.5 L X .234 W		
14	86066760	140454	2	BAR, TENSIONER		
15	86090270	87204	4	WASHER, RECTANGULAR HOLE		
16	86070210	140583	1	BRKT, SCRUB DECK LIFT, L.H.		

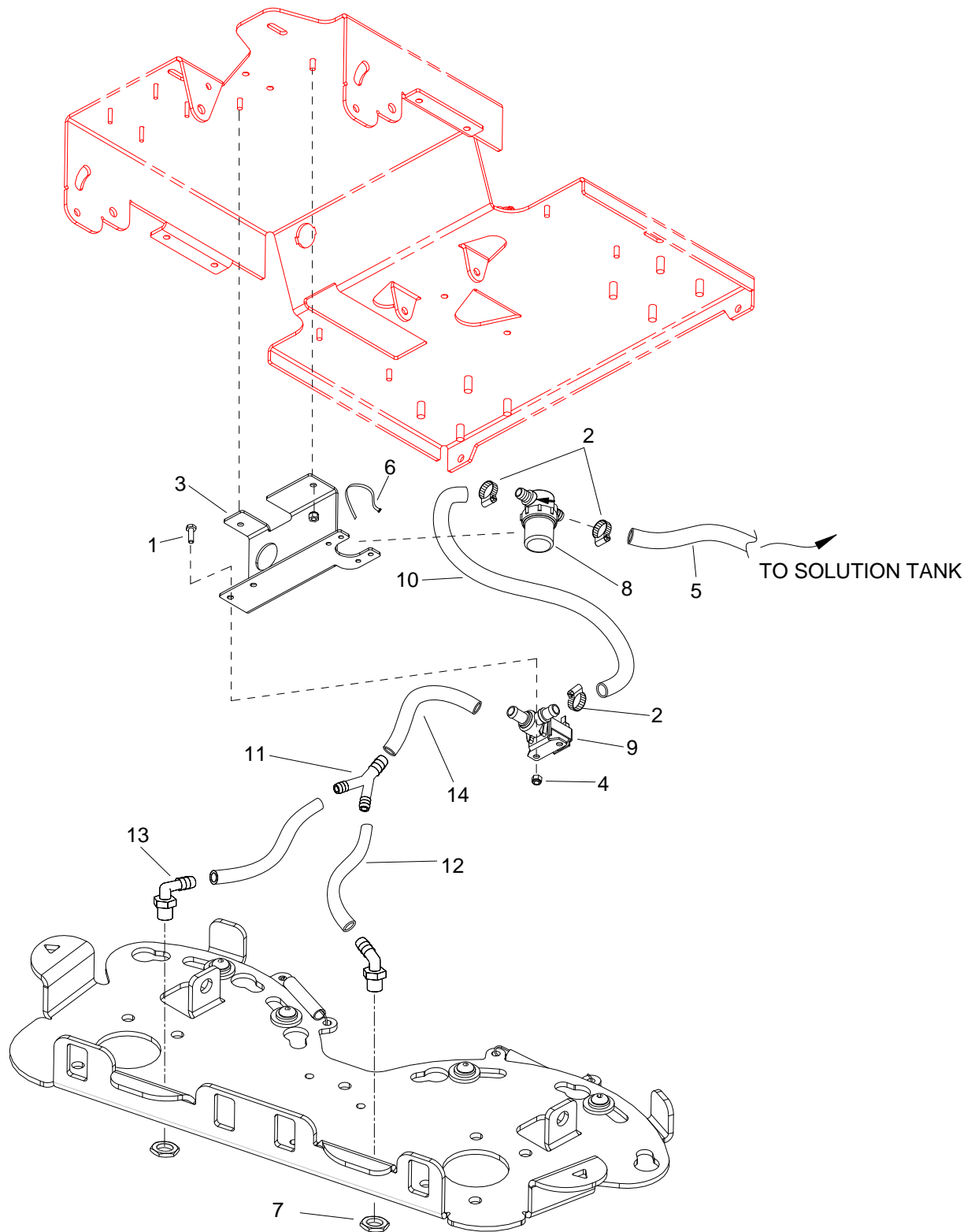
SOLUTION



SOLUTION

REF	PART NO.	PRV NO.	QTY	DESCRIPTION	SERIAL NO. FROM	NOTES:
1	86273950	70056	1	SCR, 6-32 X 1/2 PPHMS SS		
2	86234790	27827	1	COVER, SOLUTION TANK		
3	86246080	51368	1	LANYARD, 18.0 W/ LOOP & EYE		
4	86014810	-	1	NUT, 6-32 ACORN SS		
5	86032550	75372	1	TANK, SOLUTION 36V, BLU		
6	86240460	40089	1	HOSEBARB, 1/2 MPT X 1.0 HOSE		
7	86282050	39562	1	HOSE, 1.0ID .12W X 24.5 CLR		
8	86233110	20018	1	CLAMP, 1.0" WORM GEAR		
9	86271840	57285	4	NUT, 5/16-18 HEX NYLOCK THIN SS		
10	86276380	70639	4	SCR, 5/16 X 1.75 SSSCU		
11	86233150	20042	1	CLAMP, 3/8 HOSE (D-SLOT)		
12	86197910	40022	1	HOSEBARB, 1/2 MPT X 1/2 POLY DL		
13	86070090	140568	1	BRKT, SOLUTION FILL 36V		
14	86276920	70755	5	SCR, 3/8-16 X 1 HHCS SS NP		
15	86279590	87185	2	WASHER, 3/8 SEALING X 3/4 OD		WAS 87003
16	86005630	57022	7	NUT, 3/8-16 HEX NYLOCK THIN SS		
17	86010670	87029	4	WASHER,5/16 FLAT SS		
18	86070190	140581	1	BRKT, SCRUB DECK GUIDE 36V		
19	86276970	70774	2	SCR, 3/8-16 X 3/4 HHCS SS		

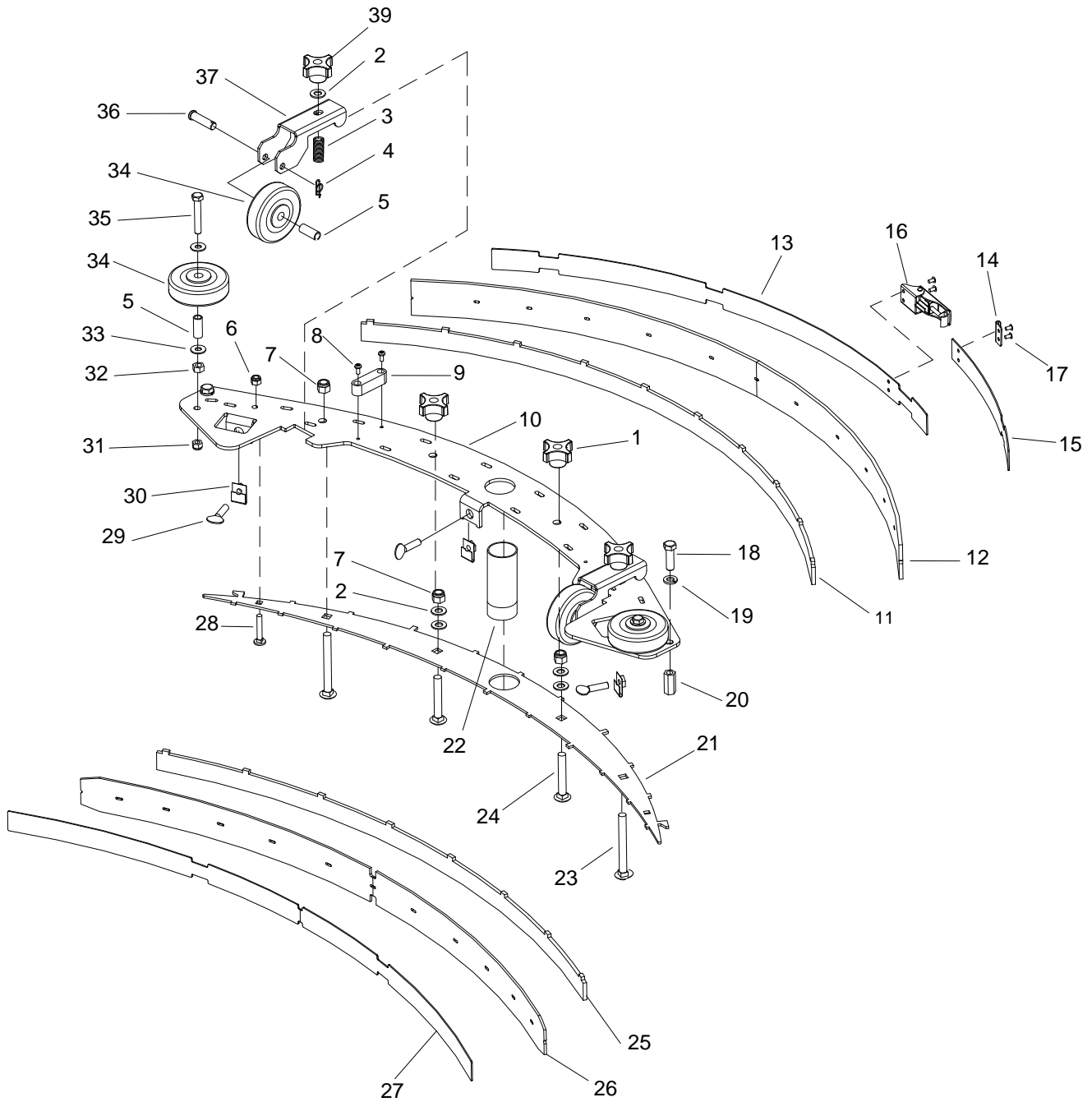
SOLUTION



SOLUTION

REF	PART NO.	PRV NO.	QTY	DESCRIPTION	SERIAL NO. FROM	NOTES:
1	86273750	70011	2	SCR, 1/4-20 X 5/8 HHCS SS NP		
2	86233150	20042	3	CLAMP, 3/8 HOSE (D-SLOT)		
3	86070020	140560	1	BRACKET, FILTER/SOLUTION MOUNT 36V		
4	86271870	57290	4	NUT, 1/4-20 HEX NYLOCK THIN SS		
5	86282190	39616	1	HOSE, 1/2" WIRE BOUND X 13"		
6	86264940	27051	4	CABLE TIE, 11.38" UL/CSA		
7	86271690	57238	2	NUT, 10-24 JOINT CONNECT BLK		
8	86007560	730161	1	STRAINER, 1/2 HOSE 20 MESH		
-	86005870	59021	-	O-RING, FILTER SEAL RON-VIK		SERVICE ONLY
-	86007750	73405	-	SCREEN, 20 MESH STRAINER		SERVICE ONLY
-	86002860	27372	-	CAP, STRAINER 26/32		SERVICE ONLY
9	86009710	82312	1	VALVE, 36VDC SOL 1/2" HOSEBARB		
-	86003460	29260	-	DIAPHRAGM, SRVC PART SLND		SERVICE ONLY
-	86136820	47395	-	SOLENOID SPRING KIT		SERVICE ONLY
10	86281100	39274	1	HOSE, 1/2 ID WIRE BOUND X 7"		
11	86003580	34327	1	FITTING, 1/2" X 3/8" X 3/8" RED. T		
12	86280820	39035	2	HOSE, 3/8ID NYLOBRAID X 10"		
13	86001500	40043	2	HOSEBARB, 3/8 MPT X 3/8 90D		
14	86240280	39711	1	HOSE, 1/2ID WIRE BOUND X 8"		

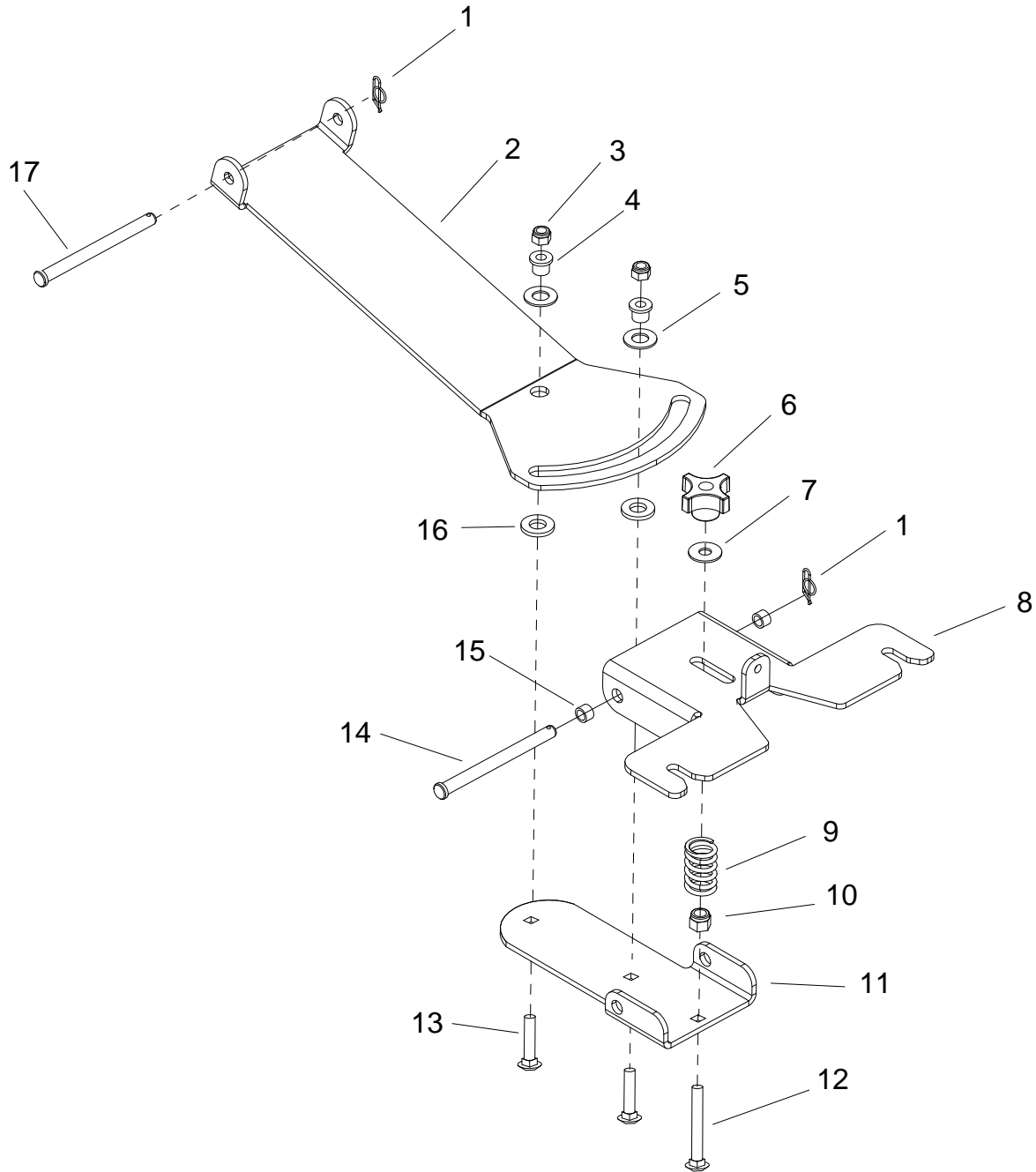
SQUEEGEE



SQUEEGEE

REF	PART NO.	PRV NO.	QTY	DESCRIPTION	SERIAL NO. FROM	NOTES:
1	86009200	81535	2	KNOB, 3/8-16 4 PRONG ALUM	1000099023	WAS 4
2	86010680	87030	6	WASHER, 3/8 ID X 3/4 OD NYLON		
3	86007780	73576	2	SPRING, COMP .60D X 2.0L X .045W		
4	86008660	80605	2	COTTER, 5/16" RING		
5	86001350	140390	4	BUSHING, SPANNER .435 X 1.10		
6	86271870	57290	2	NUT, 1/4-20 HEX NYLOCK THIN SS		
7	86005630	57022	4	NUT, 3/8-16 HEX NYLOCK THIN SS		
8	86274130	70098	2	SCR, 8-32 X 3/8 PHTC 'F' PLTD		
9	86009910	82576	1	VIAL, LEVEL		
10	86082460	62974	1	PLATE, SQUEEGEE TOP 40"		
11	86082480	62976	1	PLATE, SQG REAR 40"		
12A	86007490	730133	1	SQUEEGEE, REAR BLADE LINATEX		
12B	86137040	730425	1	SQUEEGEE, REAR BLADE URETHANE		
13	86066360	140381	1	BAND, REAR SQUEEGEE		
14	86009180	81489	1	STRIKER, SQUEEGEE STRAP REAR		
15	86001330	140382	1	BAND, REAR SQUEEGEE (S)		
16	86009170	81488	1	LATCH, SQUEEGEE STRAP		
17	86006400	67380	4	RIVET, 5/32OD X 1/8 GRIP		
18	86276920	70755	2	SCR, 3/8-16 X 1 HHCS SS NP		
19	86010790	87163	2	WASHER, 3/8 SPLIT LOCK PLTD		
20	86005840	57269	2	NUT, 3/8-16 HEX COUPLING SS		
21	86082490	62977	1	PLATE, SQUEEGEE BOTTOM 40"		
22	86008390	78493	1	TUBE ASM, SQUEEGEE VAC		
23	86276990	70776	2	SCR, 3/8-16 X 3.5 CARRIAGE SS		
24	86276870	70748	2	SCR, 3/8-16 X 2.5 CARRIAGE SS		
25	86082470	62975	1	PLATE, SQUEEGEE FRONT 40" SPACER		
26A	86009830	82528	1	BLADE, SQUEEGEE FRONT LINATEX		
26B	86137050	730426	1	SQUEEGEE, FRONT BLADE URETHANE		
27	86066350	140380	1	STRAP, SQUEEGEE FRONT		
28	86277000	70777	2	SCR, 1/4-20 X 1.5 CARRIAGE SS		
29	86007040	70680	3	SCR, 5/16-18 X 1 THUMB SS TYPE P		
30	86271820	57270	3	NUT, 5/16-18 CAPTIVE "J" PLTD		
31	86271840	57285	2	NUT, 5/16-18 HEX NYLOCK THIN SS		
32	86005650	57031	2	NUT, 5/16-18 HEX		
33	86010670	87029	4	WASHER, 5/16 X 3/4 SS		
34	86011020	89202	4	WHEEL, 3" DIA. CUSHION RUBBER		
35	86276980	70775	2	SCR, 5/16-18 X 2.00 HHCS SS		
36	86006270	66276	2	PIN, CLEVIS 5/16 X 1.63 PLTD		
37	86069870	140531	2	BRACKET, SQUEEGEE WHEEL		
38	86026540	47399	-	SQUEEGEE ASM 32IN SCRUBHEAD		SERVICE ASM
39	86004890	48095	2	KNOB, ALUM 3/8-16 NYLOCK NUT SS	1000099023	

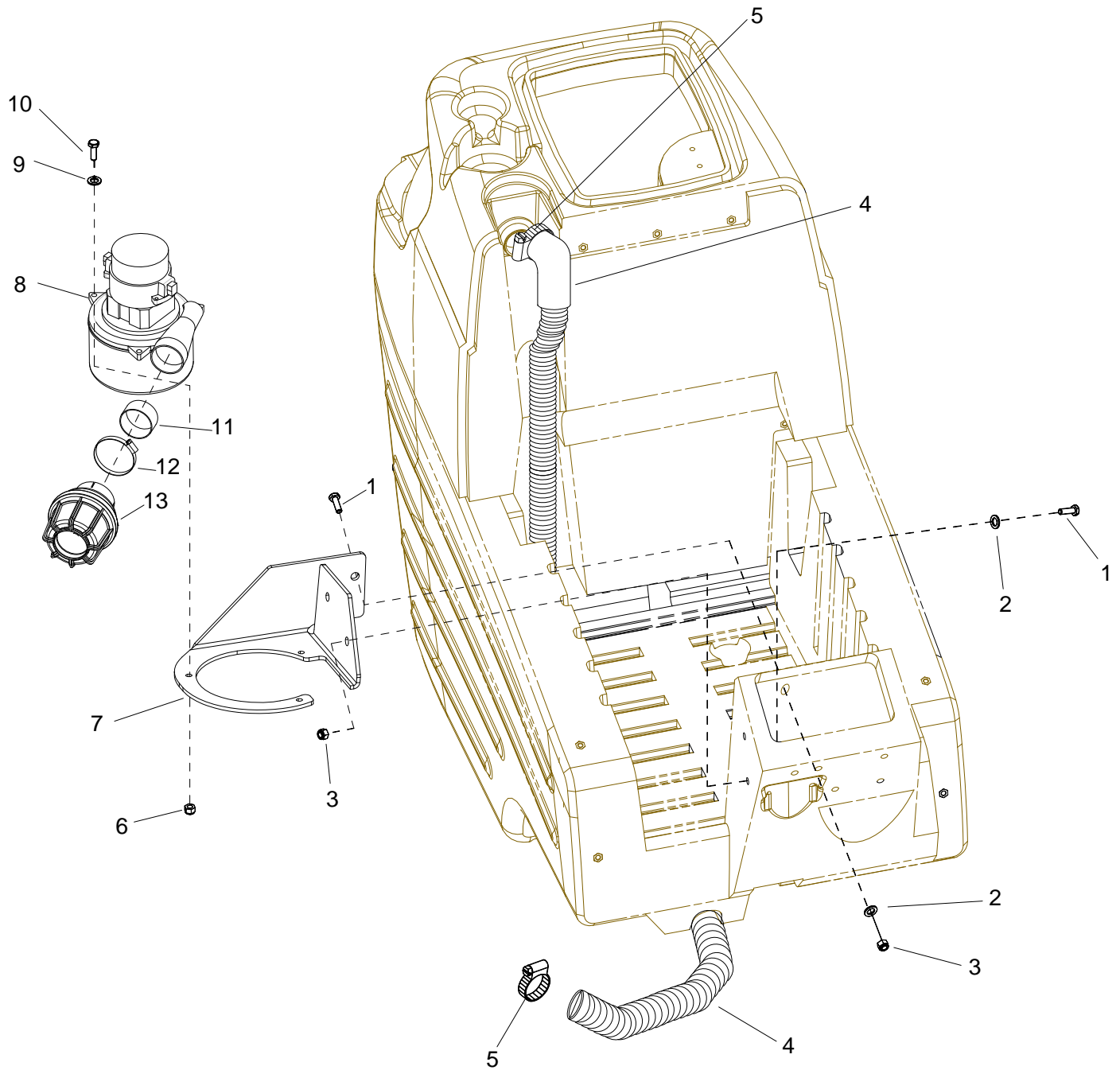
SQUEEGEE LIFT LINKAGE (LOWER)



SQUEEGEE LIFT LINKAGE (LOWER)

REF	PART NO.	PRV NO.	QTY	DESCRIPTION	SERIAL NO. FROM	NOTES:
1	86008670	80606	2	COTTER, 3/8" RING		
2	86069450	140455	1	BRACKET, SQG PIVOT LIFT		
3	86271840	57285	2	NUT, 5/16-18 HEX NYLOCK THIN SS		
4	86228840	09124	2	BEARING, FLANGED .314ID X .502OD		
5	86259410	87206	2	WASHER, THRUST .51ID X 1OD X .063		
6	86009200	81535	1	KNOB, 3/8-16 4 PRONG ALUM		
7	86279510	87171	1	WASHER, 3/8 FLAT		
8	86082150	62922	1	PLATE, SQUEEGEE MOUNT		
9	86007270	730006	1	SPRING, COMP 1.10OD X 2.0L X .148W		
10	86005630	57022	1	NUT, 3/8-16 HEX NYLOCK THIN SS		
11	86072530	14409	1	BRACKET, CAMBER PIVOT		
12	86276870	70748	1	SCR, 3/8-16 X 2.50 CARRIAGE SS		
13	86277130	70795	2	SCR, 5-16-18 X 1.00 CARRIAGE SS		
14	86249060	82061	1	PIN, CLEVIS 3/8 X 4.63 PLTD		
15	86008870	80815	2	BEARING, FLANGED 3/8" ID X 11/16"		
16	86259400	87205	2	WASHER, THRUST .51ID X 1OD BRO		
17	86008860	80808	1	PIN, CLEVIS 3/8" X 5.5"L PLTD		

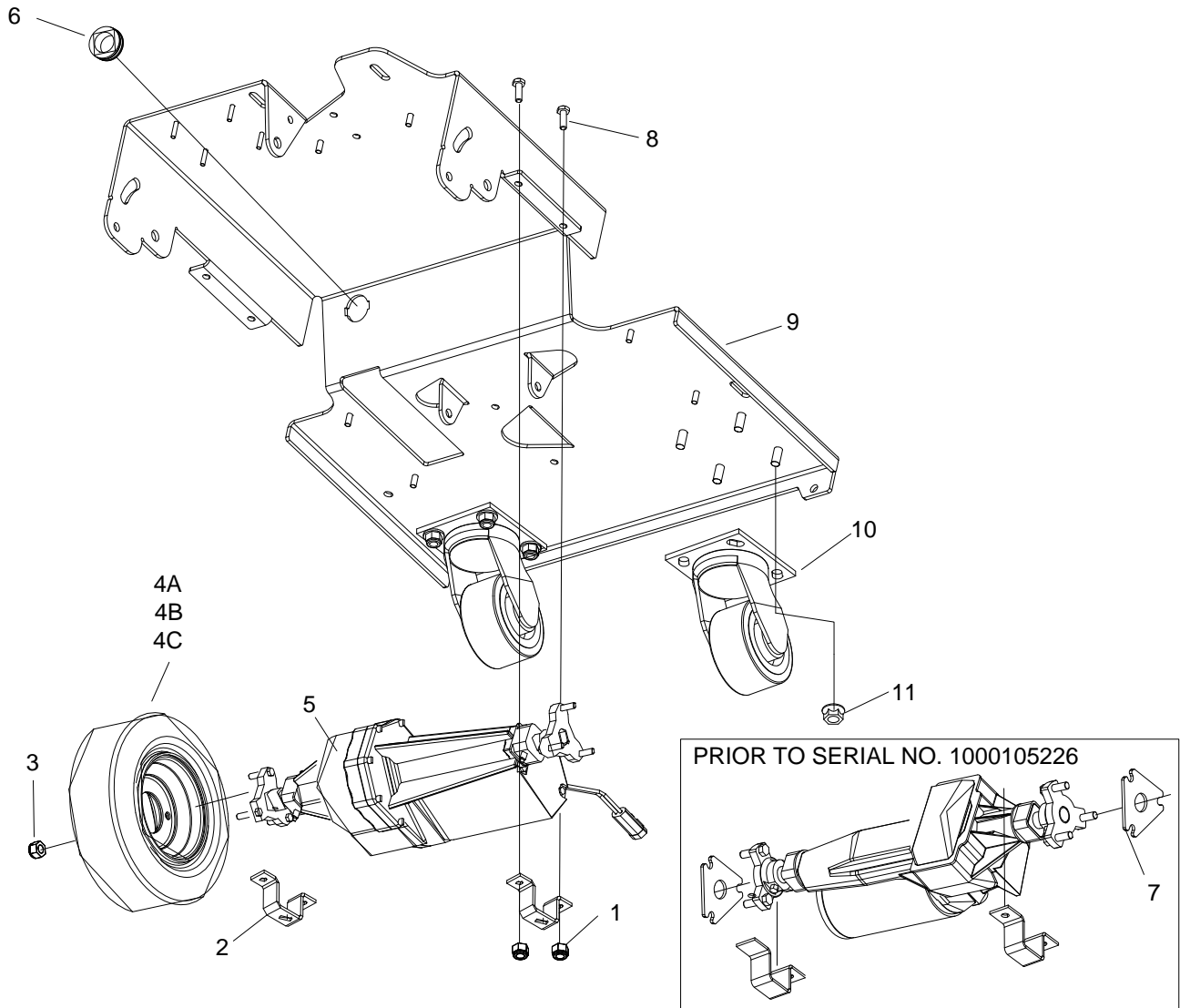
VACUUM



VACUUM

REF	PART NO.	PRV NO.	QTY	DESCRIPTION	SERIAL NO. FROM	NOTES:
1	86276970	70774	3	SCR, 3/8-16X 3/4 HHCS SS		
2	86278910	87003	3	WASHER, 3/8ID X 7/8OD SS		
3	86005630	57022	3	NUT, 3/8-16 HEX NYLOCK THIN SS		
4	86001620	40087	1	HOSE ASM, 1.5 BLK VAC X 67		
5	86002400	20064	2	CLAMP, 2.0" WORM GEAR X .312W		
6	86271870	57290	3	NUT, 1/4-20 HEX NYLOCK THIN SS		
7	86069820	140523	1	BRACKET, VACUUM MOUNT		
8	86005450	53799	1	VAC MOTOR ASM, 36VDC 3 STAGE		
-	86230800	140550	1	BRUSH SET, VAC 36V 3ST VAC AMETEK		SERVICE ONLY
-	86135310	140686	1	BRUSH SET, VAC 24V/36V VAC WINDSOR	1000122411	SERVICE ONLY
9	86010630	87013	3	WASHER, 1/4ID X 5/8OD SS		
10	86273810	70018	3	SCR, 1/4-20 X 1 HHCS SS		
11	86091170	730174	1	TUBE, 2.0 OD X 1.0L		
12	86233430	81431	1	CLAMP, 2.50 WORM GEAR		
13	86064910	54194	1	MUFFLER, VAC MOTOR	1000122451	

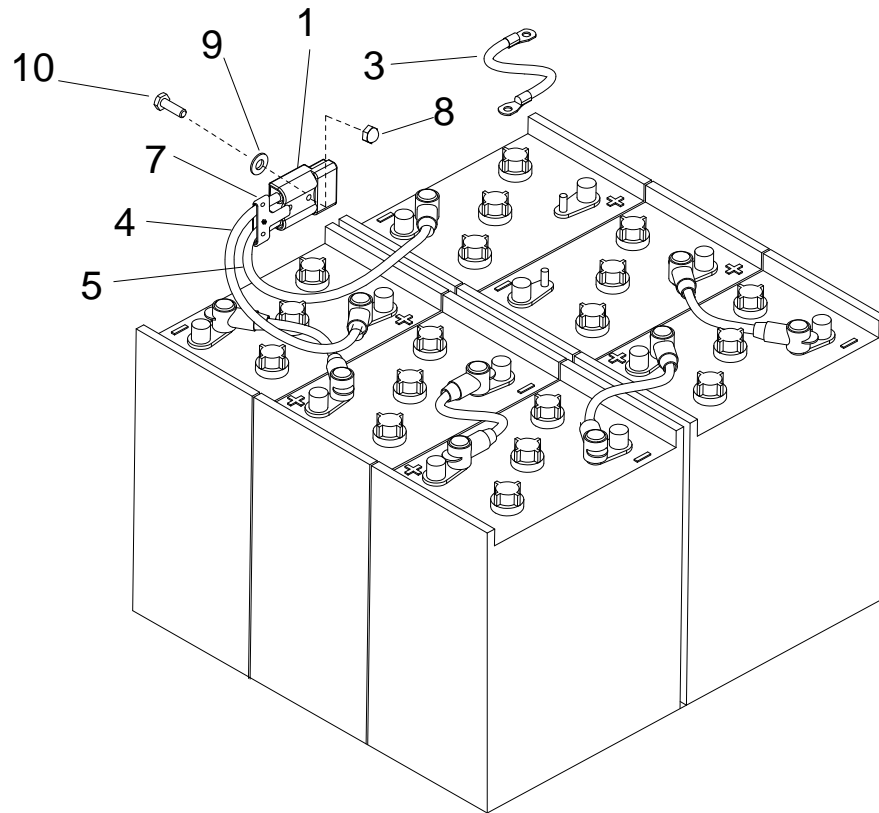
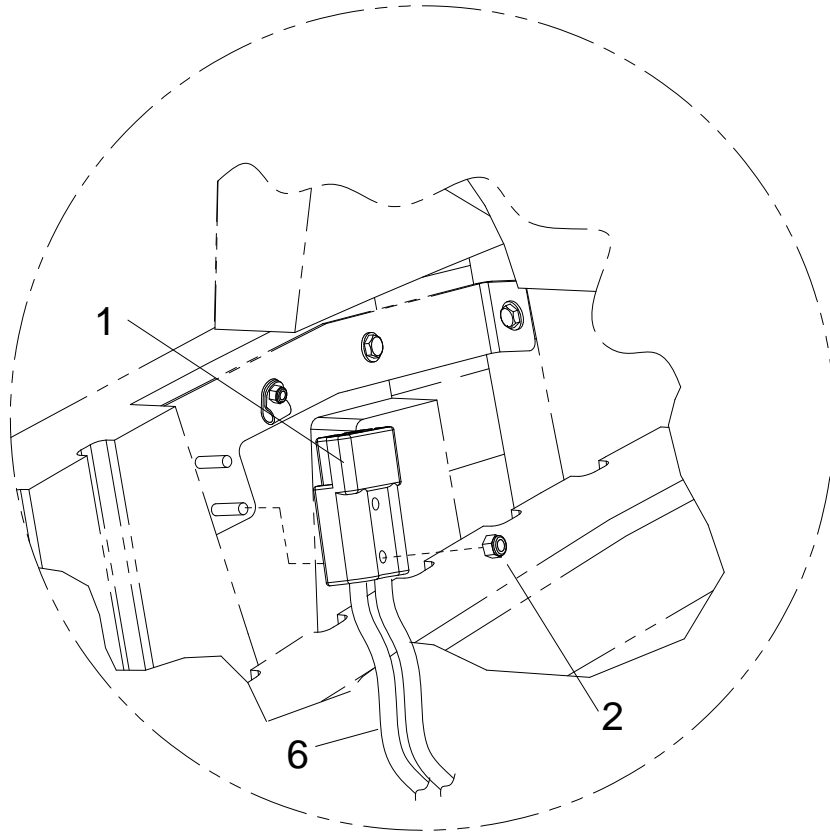
WHEELS & FRAME



WHEELS & FRAME

REF	PART NO.	PRV NO.	QTY	DESCRIPTION	SERIAL NO. FROM	NOTES:
1	86271840	57285	4	NUT, 5/16-18 HEX NYLOCK THIN SS		
2	86215770	140532	2	BRACKET, TRANSAXLE MOUNT 36V		
3	86010090	82738	6	NUT, 7/16-20 WHEEL PLTD		
4A	86010370	830756	2	WHEEL ASM, 12" FMFL BLK KNOBBY		
4B	86090640	830732	-	WHEEL ASM, 12" FMFL N-MARKING		OPTIONAL
4C	86137410	830690	-	WHEEL ASM, 12" SOLID SCBR CMPD		OPTIONAL
5	86000770	05121	1	AXLE MOTOR DRIVE, 36VDC		
6	86238430	36191	1	GROMMET, 1.00ID 3/16 GRIP		
7	86087270	730172	2	SPACER, TRANSAXLE 36V		SERVICE ONLY
8	86006560	70083	4	SCR, 5/16-18 X 1 HHCS SS NP		
9	86236660	34392	1	FRAME, MAIN 36V		
10	86002310	18041	2	CASTER, 4 DIA X 2 W X 3.56R		
11	86270880	57032	8	NUT, 3/8-16 SERRATED FLG		

WIRING- BATTERY

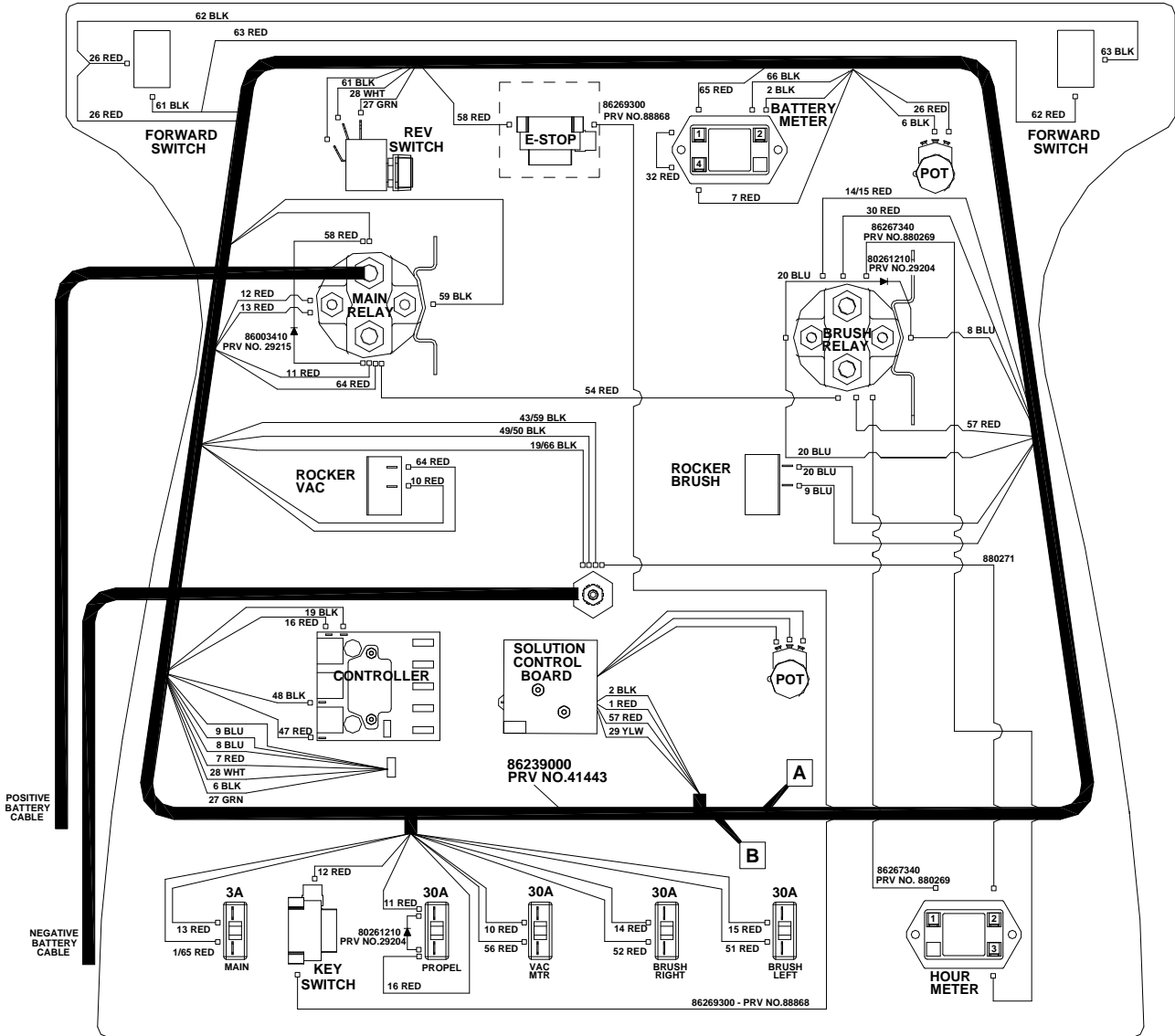
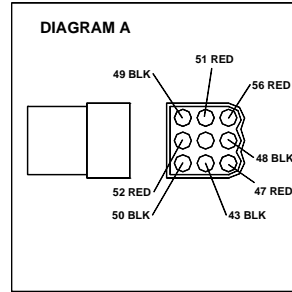
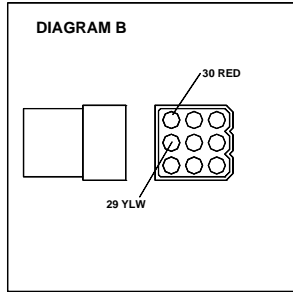


CUTTER 36V (SCE) 86037030 02/14/07

WIRING-BATTERY

REF	PART NO.	PRV NO.	QTY	DESCRIPTION	SERIAL NO. FROM	NOTES:
1	86008760	80682	1	CONN, 175 DCA GRY W/O TERMS		
2	86271870	57290	2	NUT, 1/4-20 HEX NYLOCK THIN SS		
3	86002510	23125	3	CABLE ASM, BAT. JUMPER X 15"		
4	86002570	23190	1	WIRE, 4 X 27 RD B CLAMP X C TERM		
5	86002580	23191	1	WIRE, 4 X 27 BK B CLAMP X C TERM		
6	86260520	880384	2	WIRE, 4X67 BK C. TERM 5/16 RING		
7	86233360	28038	1	CLAMP, CABLE KIT SY945		
8	86270890	57034	1	NUT, ACORN 10-32		
9	86010650	87018	1	WASHER, #10 X 9/16 OD		
10	86273980	70066	1	SCR, 10-32 X 3/4 PPHMS SS		

WIRING GROUP – CONTROL PANEL

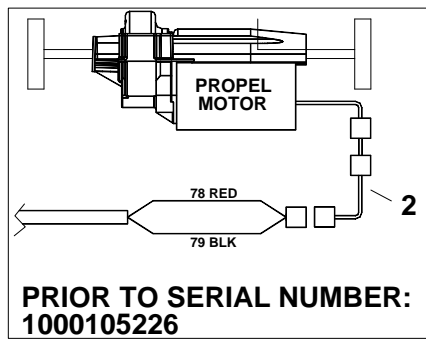
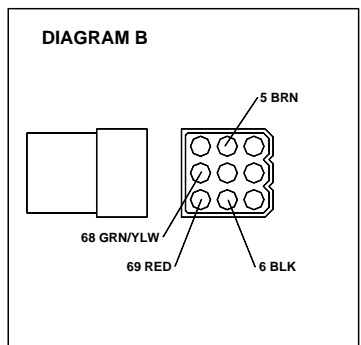
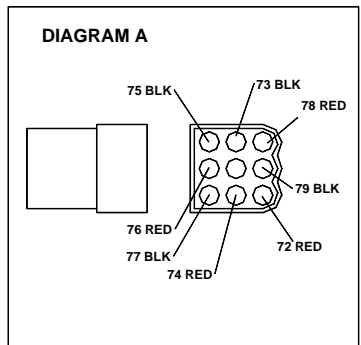
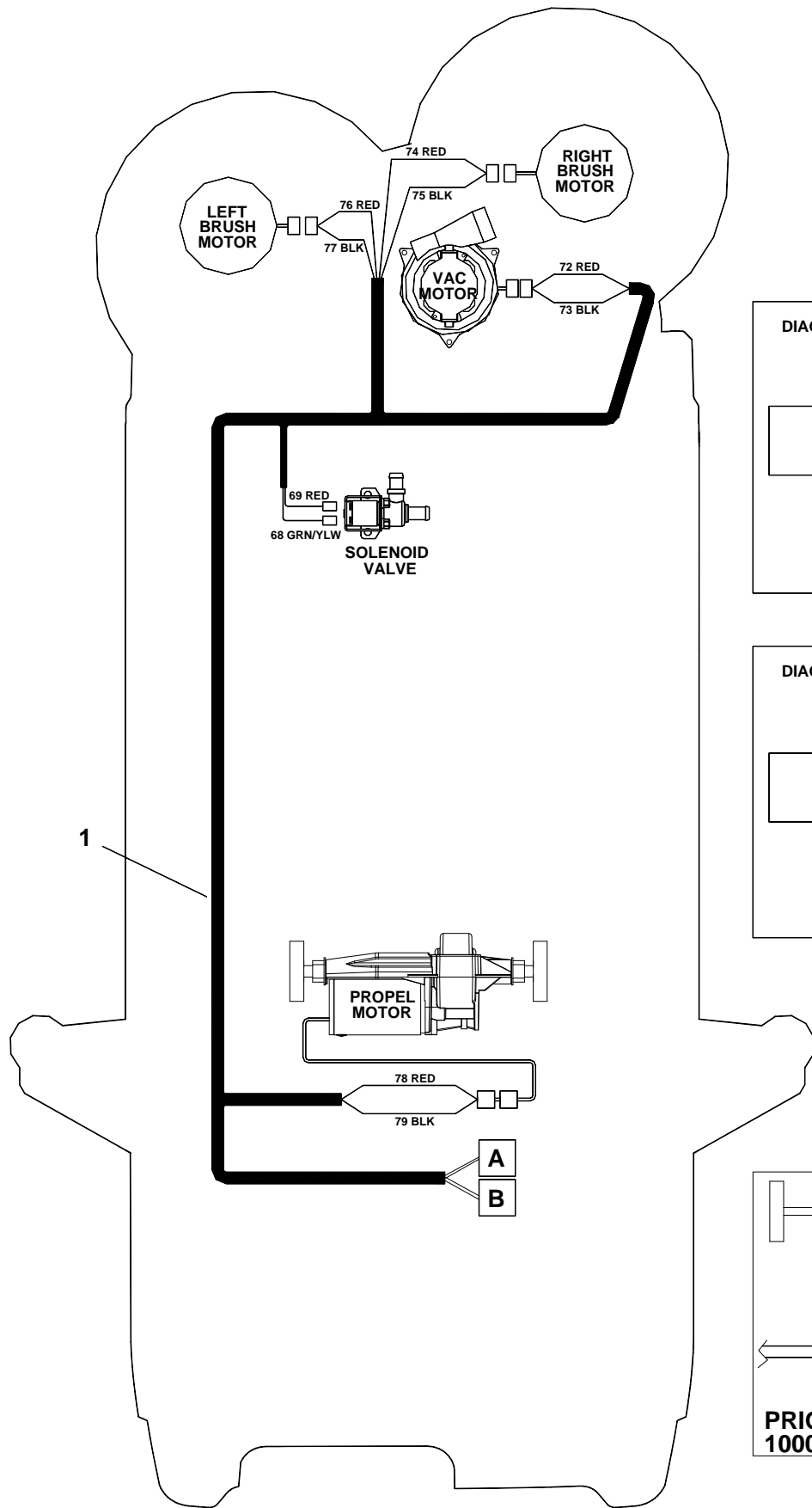


INDICATES OPTIONAL ACCESSORY

WIRING GROUP – CONTROL PANEL

REF	PART NO.	PRV NO.	QTY	DESCRIPTION	SERIAL NO. FROM	NOTES:
1	86239000	41443	1	HARNESS, PANEL BASIC		
2	86261210	29204	2	DIODE ASM, 76008 X 76008		
3	86003410	29215	1	DIODE ASM, 76075 X 76075		

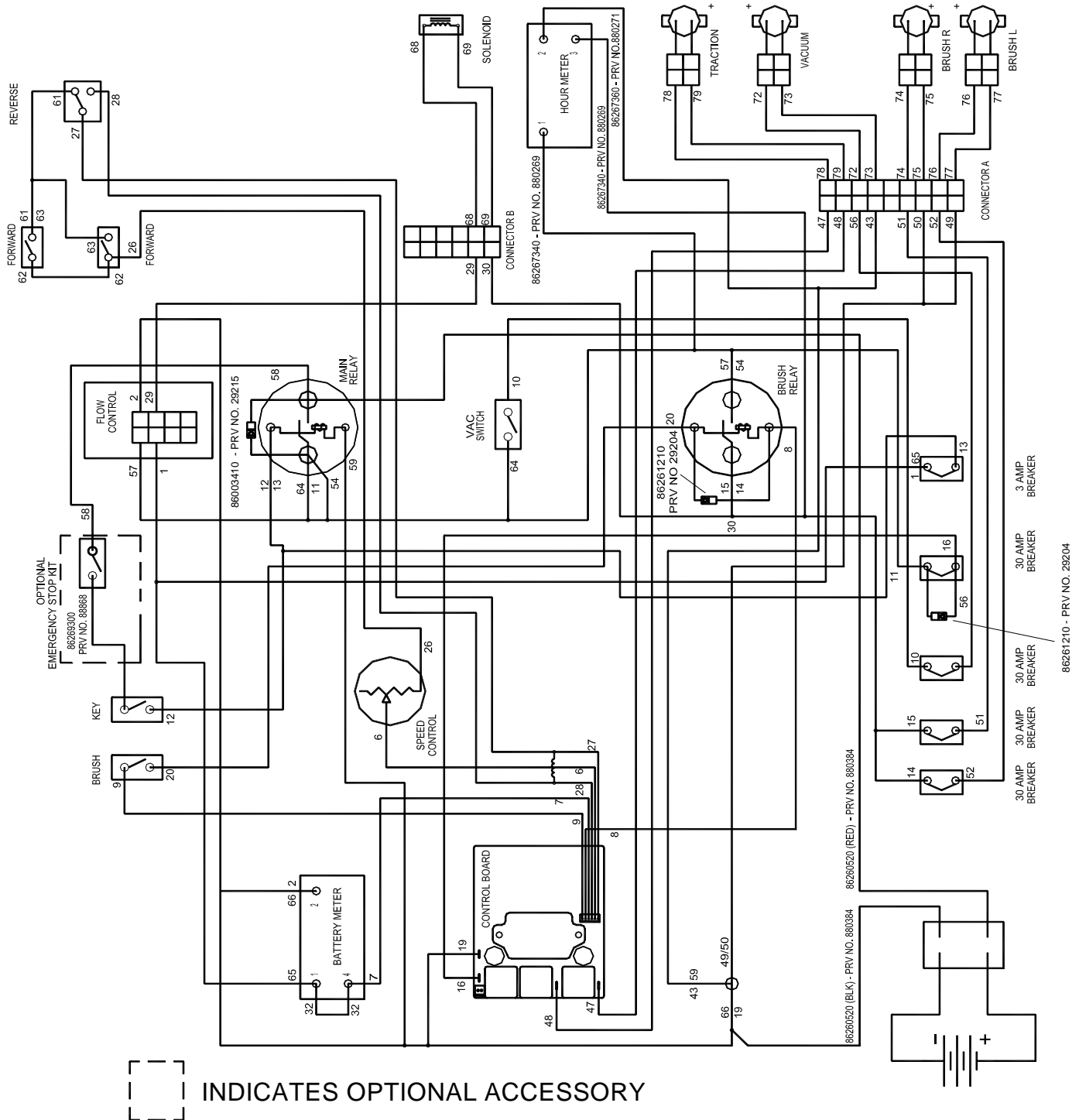
WIRING GROUP – MAIN HARNESS



WIRING GROUP – MAIN HARNESS

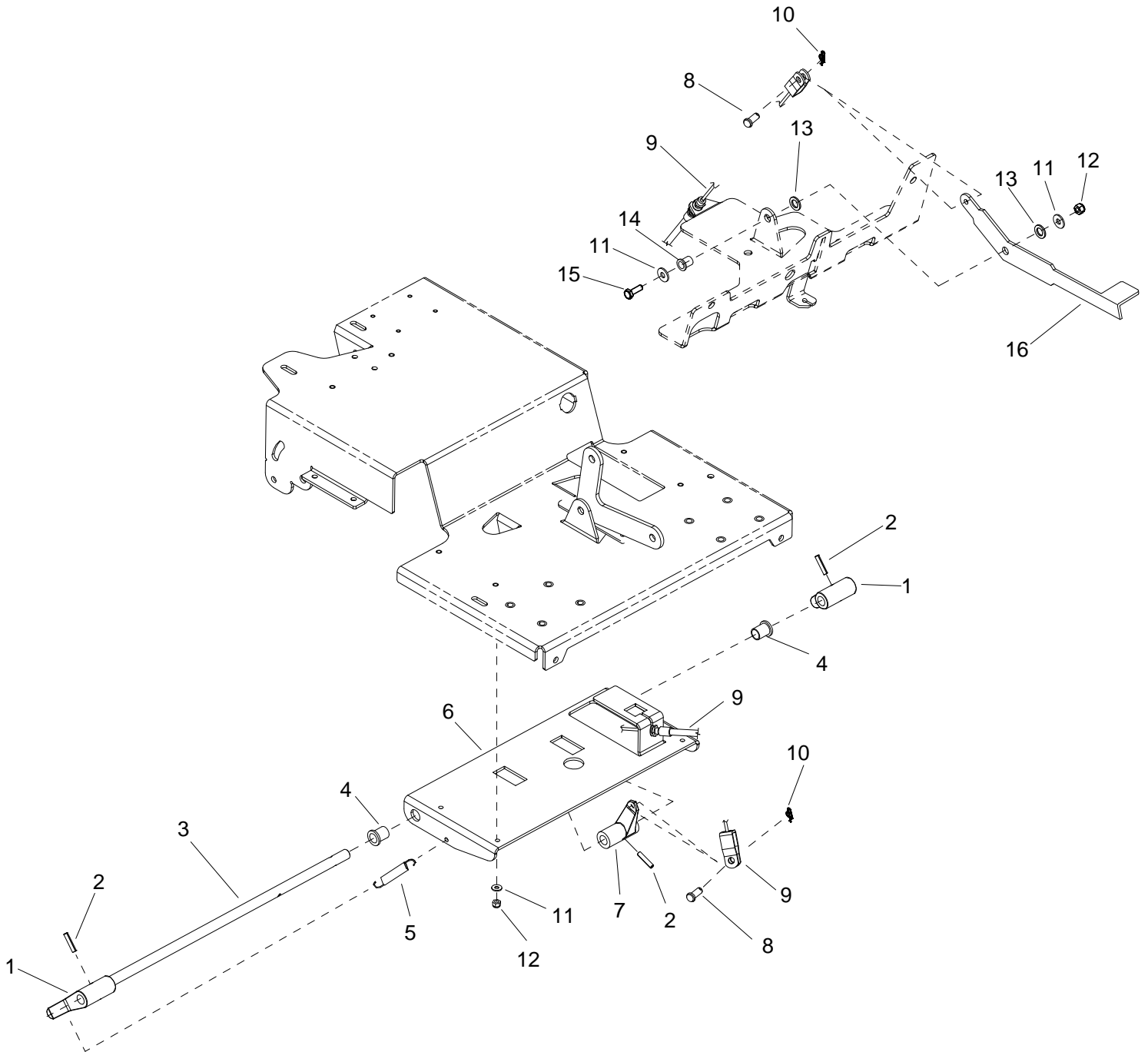
REF	PART NO.	ITEM NO.	QTY	DESCRIPTION	SERIAL NO. FROM	NOTES:
1	86238980	41441	1	HARNESS, MAIN		
2	86260400	880212	1	WIRE ASM, REV POLARITY JUMPER		SERVICE ONLY

WIRING GROUP – SCHEMATIC



THIS PAGE LEFT BLANK INTENTIONALLY

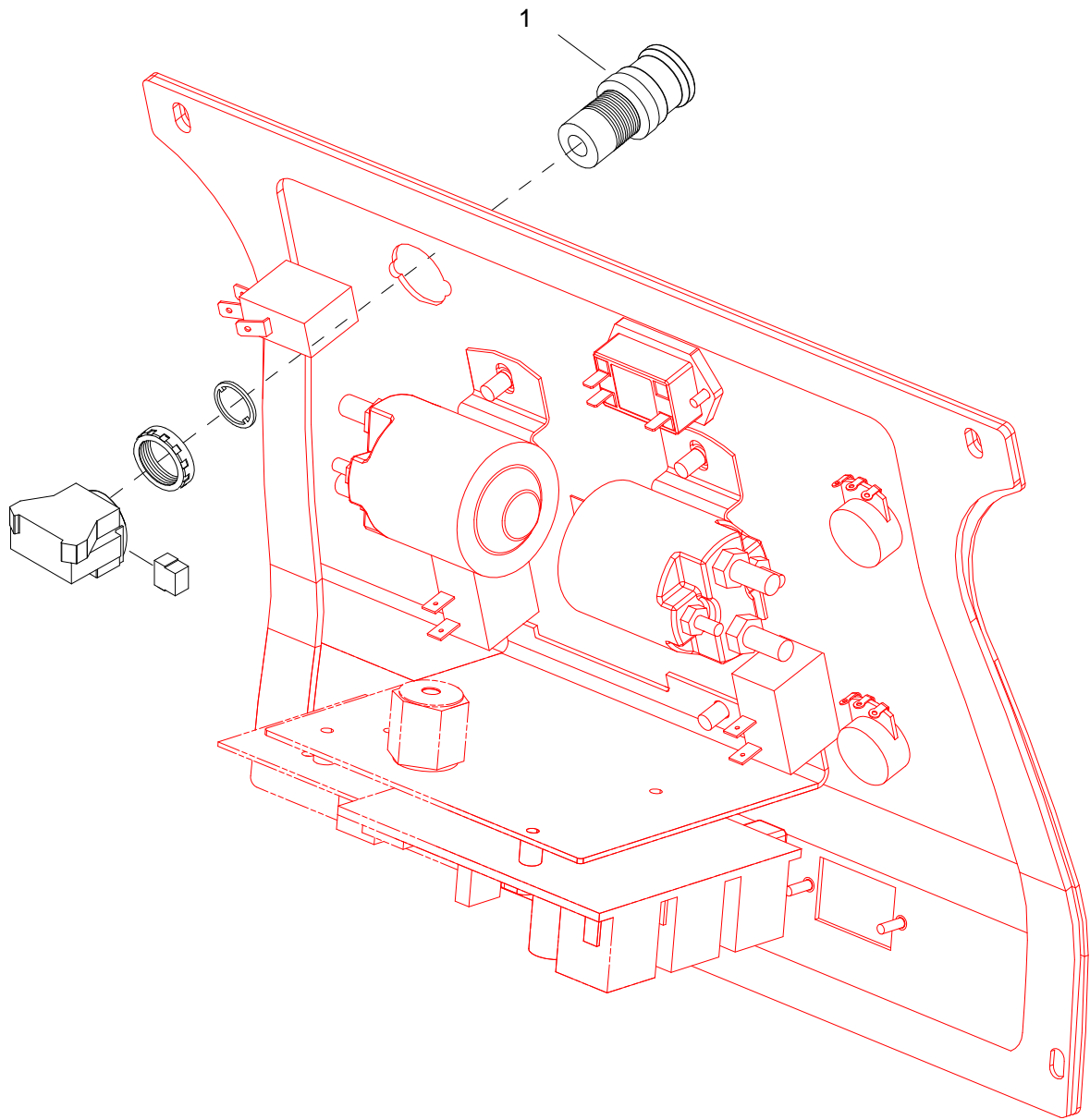
BRAKE



BRAKE

REF	PART NO.	PRV NO.	QTY	DESCRIPTION	SERIAL NO. FROM	NOTES:
1	86248370	66381	2	PAD, BRAKE		
2	86006220	66192	3	PIN, ROLL 1/4 X 1.25L		
3	86251800	67485	1	ROD, BRAKE 36V		
4	86231330	14664	2	BUSH, BRZ FLG .63 X .75 X 1.0		
5	86255060	73426	2	SPRING, EXT, .43D X 2.50L X .047W		
6	86070060	140564	1	BRKT, LOWER BRAKE MOUNT 36V		
7	86234850	27956	1	CRANK, BRAKE		
8	86272610	80669	2	PIN, CLEVIS 5/16" X .75 PLTD		
9	86231820	27961	1	CABLE, PARK BRAKE		
10	86008660	80605	2	COTTER, 5/16" RING		
11	86010630	87013	6	WASHER, 1/4 ID X 5/8 OD SS		
12	86271870	57290	5	NUT, 1/4-20 HEX NYLOCK THIN SS		
13	86259400	87205	2	WASHER, THRUST .51 ID X 1 OD BRO		
14	86228900	09138	1	BEARING FLANGED .252 ID X .503OD		
15	86273820	70019	1	SCR, 1/2-20 X 1.25 HHCS SS		
16	86077280	51378	1	LEVER, BRAKE		

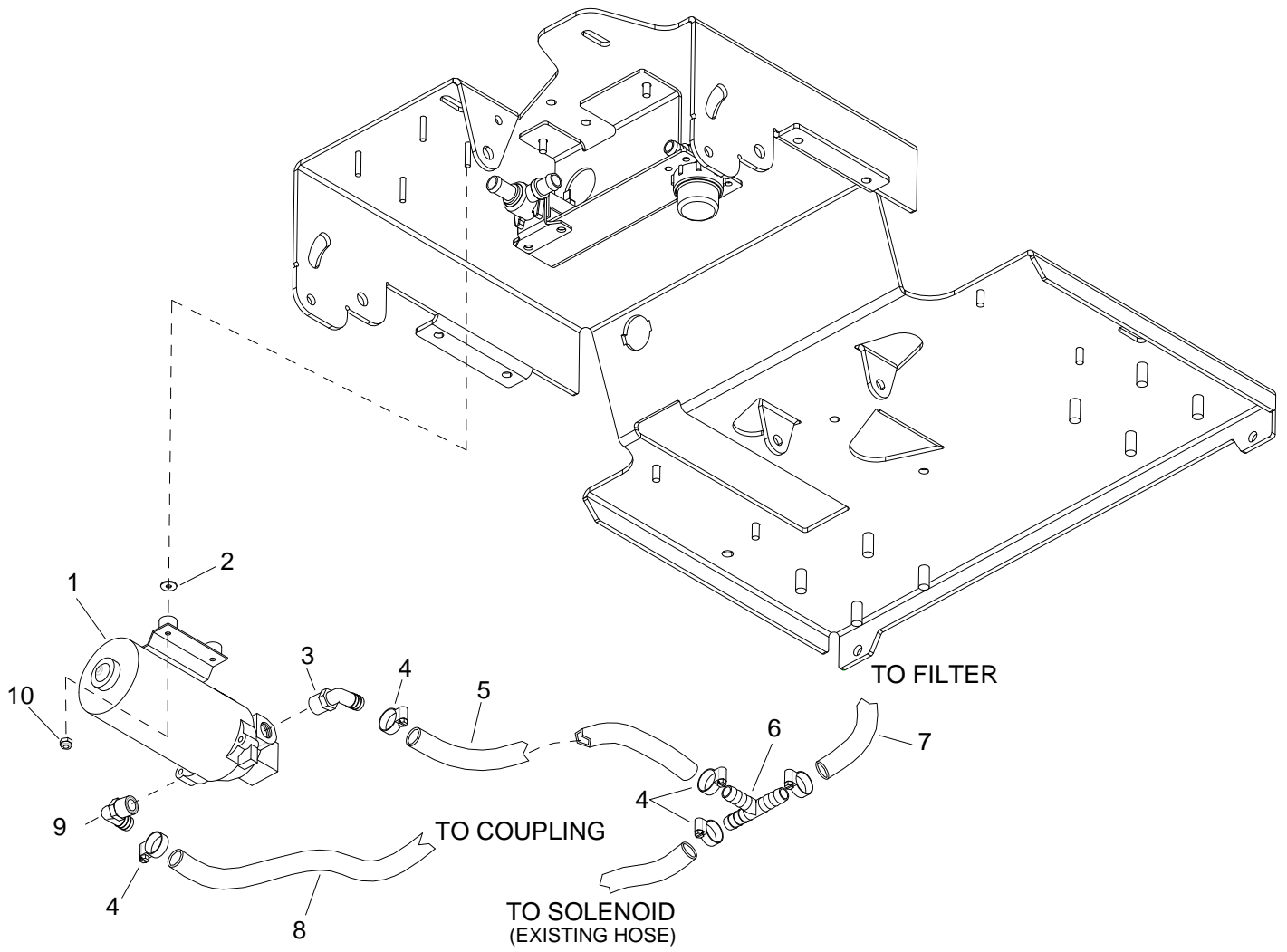
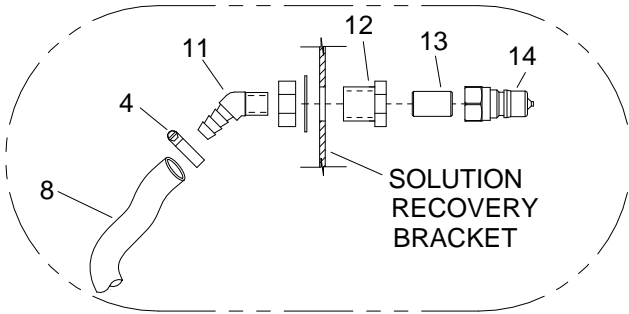
EMERGENCY STOP



EMERGENCY STOP

REF	PART NO.	PRV NO.	QTY	DESCRIPTION	SERIAL NO. FROM	NOTES:
1	86007180	72160	1	SWITCH, EMERGENCY STOP		
2	86269300	88868	1	WIRE, 16" RED/18 STRIP X STRIP		NOT SHOWN

ACCESSORY PUMP-OPTION



ACCESSORY PUMP-OPTION

REF	PART NO.	PRV NO.	QTY	DESCRIPTION	SERIAL NO. FROM	NOTES:
1	86006100	65176	1	PUMP, ASM, 36V ACCESSORY		
2	86010650	87018	4	WASHER, #10 X 9/16 OD		
3	86197940	40027	1	HOSEBARB, 3/8MPT X 1/2 90D DL		
4	86233150	20042	6	CLAMP, 3/8 HOSE (D-SLOT)		
5	86280750	151-38A	1	HOSE, 1/2 WIREBOUND X 21"		
6	86240410	40078	1	HOSEBARB, 1/2 TEE		
7	86282110	39571	1	HOSE, 1/2" WIRE BOUND X 5.5		
8	86282200	39617	1	HOSE, 3/8 X 40" WIRE BOUND		
9	86001550	40043	1	HOSEBARB, 3/8MPT X 3/8 90D		
10	86270990	57090	4	NUT, 10-32 HEX NYLOCK SS		
11	86197620	40038	1	HOSEBARB, 1/4MPT X 3/8 45D DL		
12	86002470	22072	1	COUPLING, 1/4 ANCHOR W/1" HEX		
13	86005590	56014	1	NIPPLE, 1/4 CLOSE		
14	86005580	56012	1	NIPPLE, 1/4 FPT QD		
-	86239020	41463	1	HARNESS PUMP KIT ADAPTER		NOT SHOWN
-	86264940	27051	1	CABLE TIE, 11.38" UL/CSA		NOT SHOWN

SUGGESTED SPARE PARTS

PART NO.	PRV NO.	DESCRIPTION	SERIAL NO. FROM	NOTES:
86001910	14606	BREAKER, 30A 50VDC CIRCUIT		
86002000	14717	BREAKER, 3AMP 1681-090-300		
86006370	67315	RELAY, 36VDC 100A HVY DUTY		
86007140	72130	SWITCH, SPST 2-POSITION ROCKER		
86009200	81535	KNOB, 3/8-16 4 PRONG ALUM		
86007490	730133	SQUEEGEE, REAR BLADE, LINATEX		
86009830	82528	SQUEEGEE, FRONT BLADE LINATEX		
86003990	35250	GASKET, DOME		
86236410	34394	FLOAT, VAC SHUT OFF		
86001430	140528	BLADE, AQ LEFT 16 INCH		
86001420	140527	BLADE, AQ RIGHT 16 INCH		
86004860	48073	KEY, SWITCH		
86007530	730145	SKIRT, 32 INCH LEFT		
86007540	730146	SKIRT, 32 INCH RIGHT		
86230800	140550	BRUSH SET, 36V 3ST VAC AMETEK		
86135310	140686	BRUSH SET, 24V/36V VAC WINDSOR	1000122411	



Manufacturers of Innovative Building Maintenance Equipment

Windsor Industries, Inc.
1351 West Stanford Avenue
Englewood, CO 80110 USA

Phone: 303.762.1800
FAX: 303.762.0817
http://www.windsorind.com

EC Declaration of Conformity

We herewith declare,

Windsor Industries, Inc.
1351 W. Stanford Ave.
Englewood, CO 80110-5545 USA

that the following product complies with the appropriate essential health and safety requirements of the relevant EC Directives listed below, based on the relevant sections of the applicable EC standards and other normative documents.

Product: Saber Cutter 326
Saber Cutter Deluxe 326

Product Identification: Rated 36 VDC 70 A

Trademark:

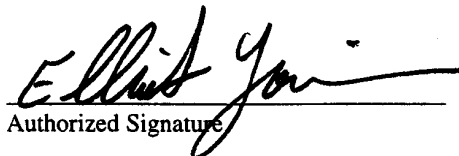


Model/Type Ref.: SCE326
SCEX326

Product Description: This product is a battery powered, self-propelled, wet floor scrubber intended for commercial use.

Applicable EC Directives: EC Machinery Directive
(89/392/EEC & 91/368/EEC & 93/44/EEC & 93/68/EEC)
EC Low Voltage Directive
(73/23/EEC & 93/68/EEC)
EC Directive of Electromagnetic Compatibility
(89/336/EEC & 93/68/EEC)

Applicable Harmonized Standards: EN 60335-1: 1991
EN 60335-2-67: 1992
EN 60335-2-72: 1995
EN 55022: 1998-09
EN 55011: 1998-05
EN 61000-6-2: 1999
EN 61000-4-2: 1995
EN 61000-4-3: 1997


Authorized Signature

4-10-02
Date

Title of Signature: Vice President, Windsor Industries, Inc.

QUEST For Continuous Improvement
Windsor's Quality Management System is Certified ISO 9001