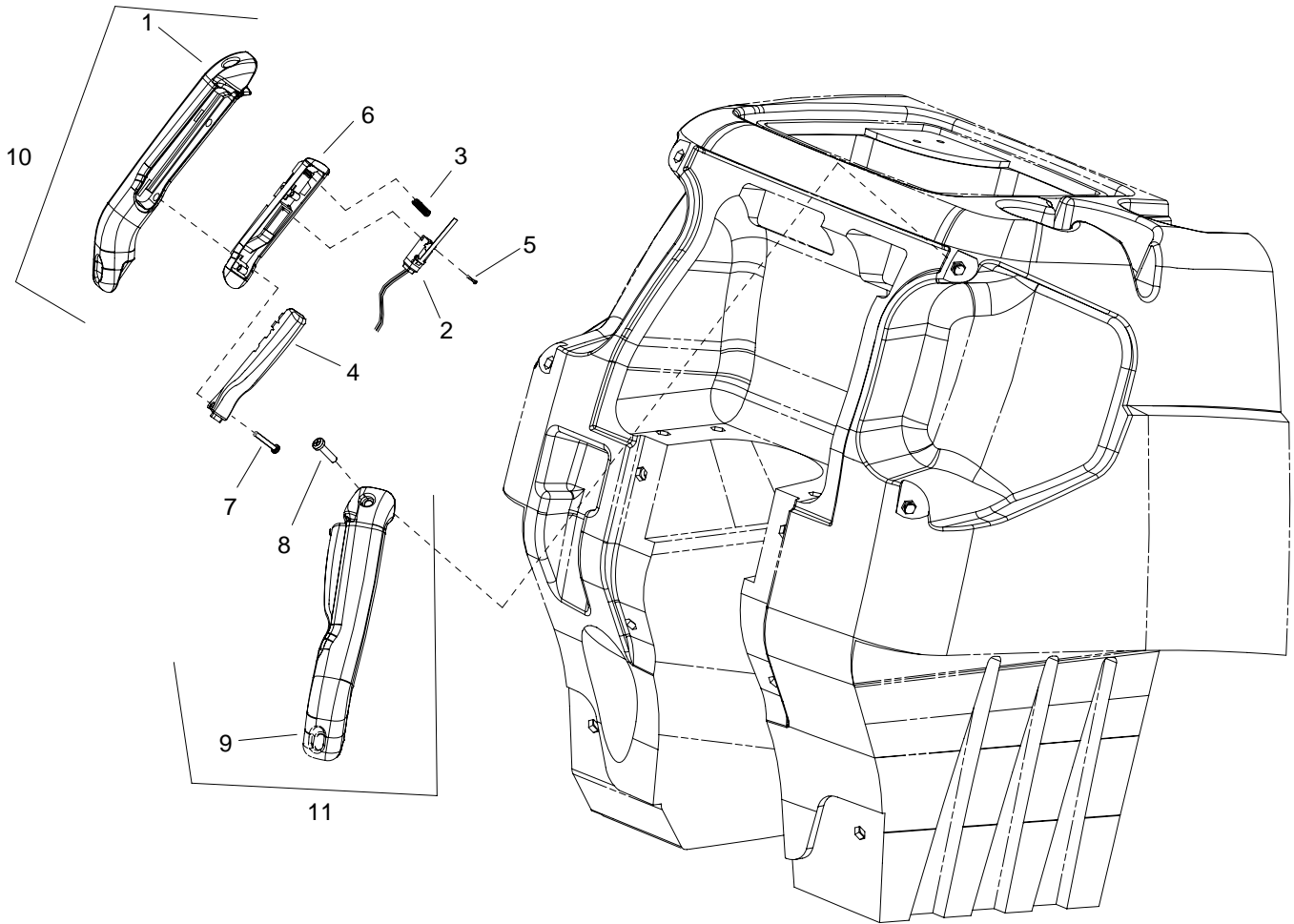


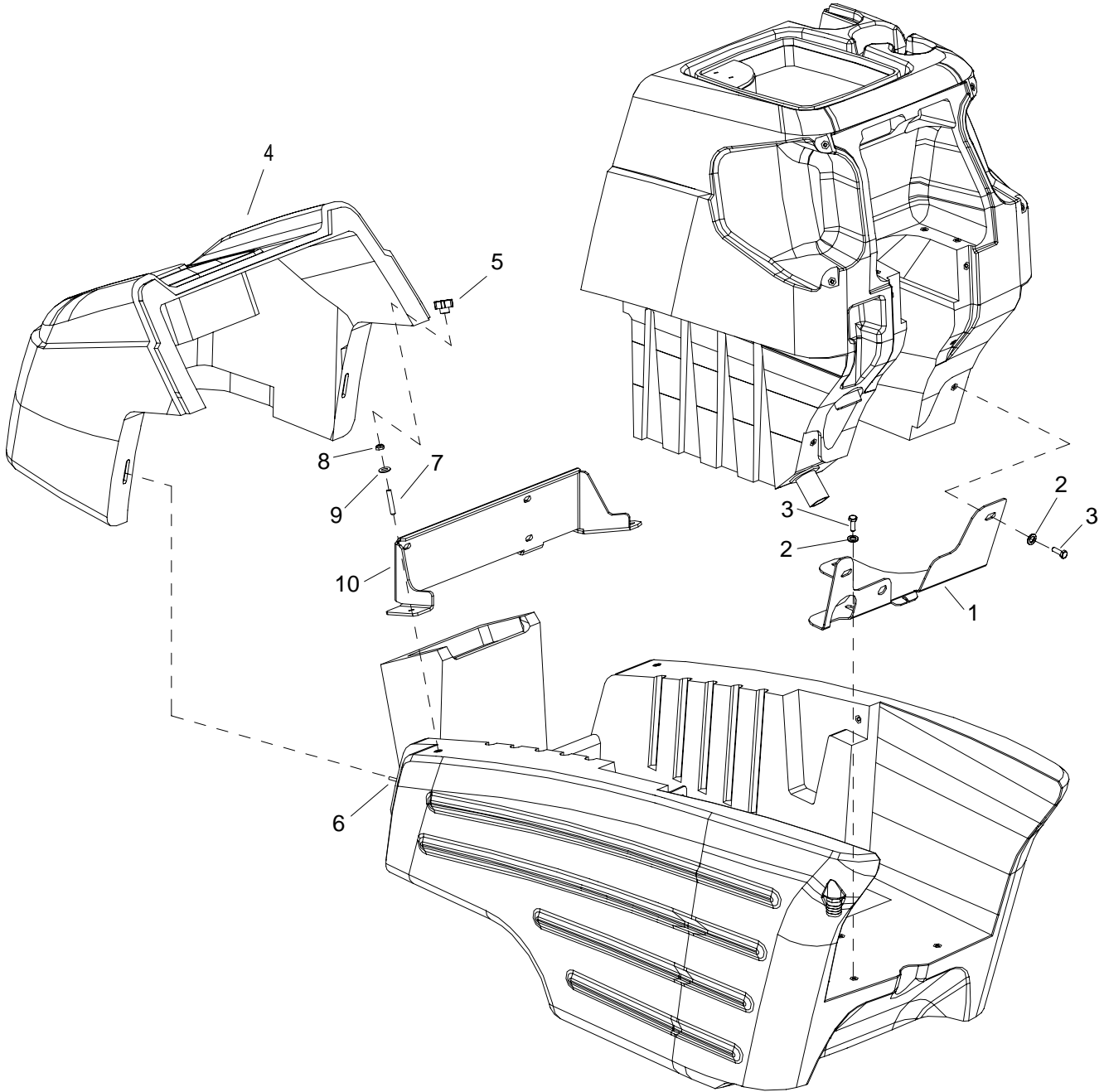
# CONTROL HANDLE



## CONTROL HANDLE

| REF | PART NO. | PRV NO. | QTY | DESCRIPTION                      | SERIAL NO.<br>FROM | NOTES:       |
|-----|----------|---------|-----|----------------------------------|--------------------|--------------|
| 1   | 86238730 | 38307   | 1   | HANDLE, LEFT                     |                    |              |
| 2   | 86257230 | 730125  | 2   | SWITCH, SPST MOM NO W/LEVER      |                    |              |
| 3   | 86254920 | 730153  | 2   | SPRING, COMP .240D X 1.25 X .018 |                    |              |
| 4   | 86231480 | 140504  | 2   | BUTTON, PROPEL                   |                    |              |
| 5   | 86277070 | 70784   | 2   | SCR, 4-40 X 5/8 PPHMS            |                    |              |
| 6   | 86240990 | 41431   | 2   | HOUSING, BUTTON                  |                    |              |
| 7   | 86277060 | 70783   | 4   | SCR, 8-32 X 7/8 PHTC TYPE 23     |                    |              |
| 8   | 86277050 | 70782   | 4   | SCR, 5/16-18 X 3/4 SHCS NP SS    |                    |              |
| 9   | 86238740 | 38308   | 1   | HANDLE, RIGHT                    |                    |              |
| 10  | 86004120 | 38312   | -   | PROPEL HANDLE ASM, LEFT          |                    | SERVICE ONLY |
| 11  | 86004130 | 38313   | -   | PROPEL HANDLE ASM, RIGHT         |                    | SERVICE ONLY |

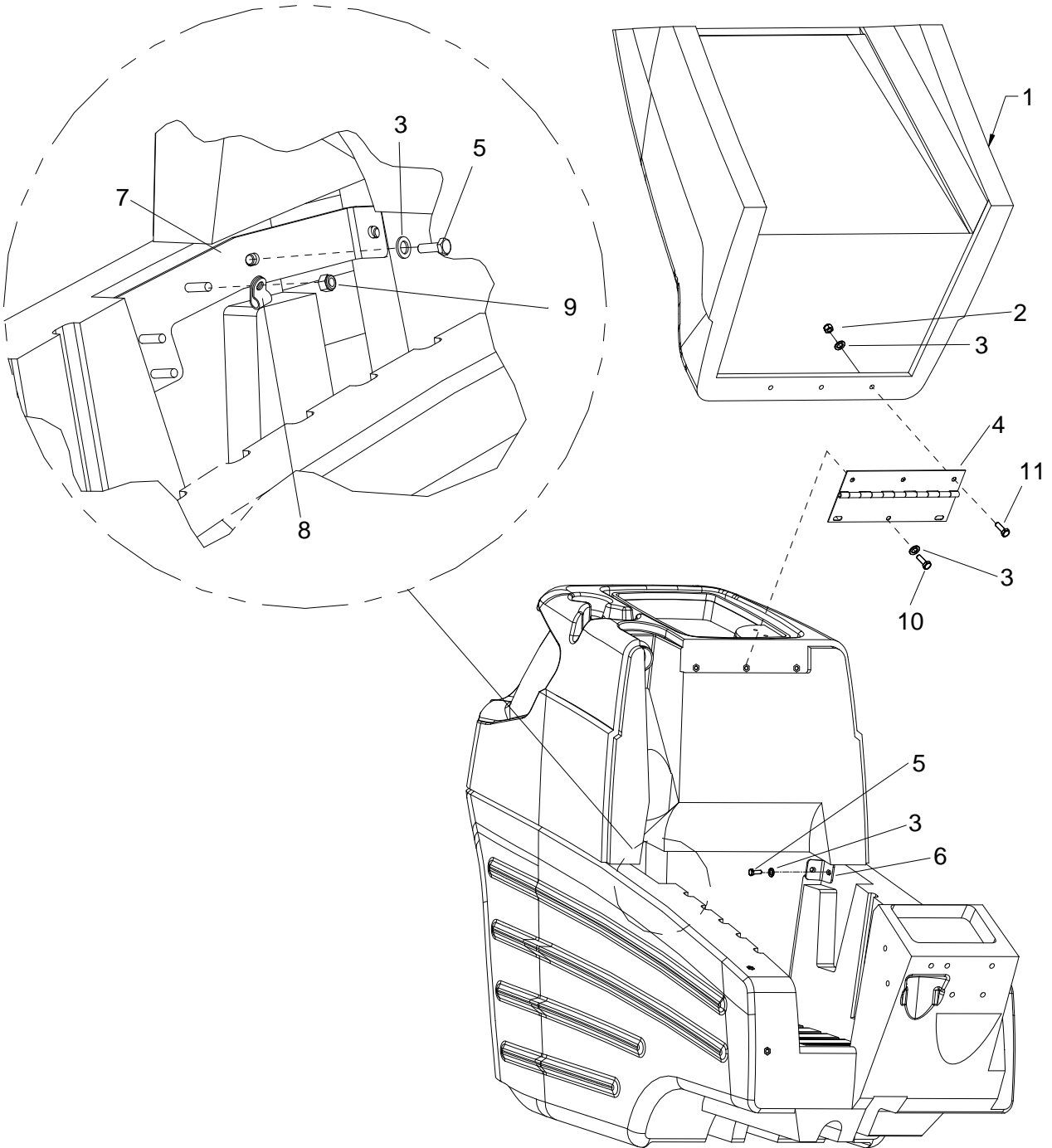
# COVER (FRONT) & TANK MOUNT



## COVER (FRONT) & TANK MOUNT

| REF | PART NO. | PRV NO. | QTY | DESCRIPTION                     | SERIAL NO.<br>FROM | NOTES: |
|-----|----------|---------|-----|---------------------------------|--------------------|--------|
| 1   | 86070150 | 140574  | 1   | BRKT, TANK MOUNT 24V            |                    |        |
| 2   | 86010670 | 87029   | 4   | WASHER, 5/16 FLAT SS            |                    |        |
| 3   | 86276780 | 70728   | 4   | SCR, 5/16-18 X 3/4 HHCS SS      |                    |        |
| 4   | 86062530 | 27925   | 1   | COVER, FRONT, 24V GRY           |                    |        |
| 5   | 86004790 | 48012   | 2   | KNOB, 5/16 -18 4 PRONG          |                    |        |
| 6   | 86276380 | 70639   | 2   | SCR, 5/16-18 X 1.25 SSSCU       |                    |        |
| 7   | 86278080 | 70823   | 2   | SET SCR, 5/16-18 X 1.75 CP SS   |                    |        |
| 8   | 86271840 | 57285   | 2   | NUT, 5/16-18 HEX NYLOCK THIN SS |                    |        |
| 9   | 86010670 | 87029   | 2   | WASHER, 5/16 FLAT SS            |                    |        |
| 10  | 86068150 | 140706  | 1   | BRACKET, TANK SUPPORT           | *                  |        |

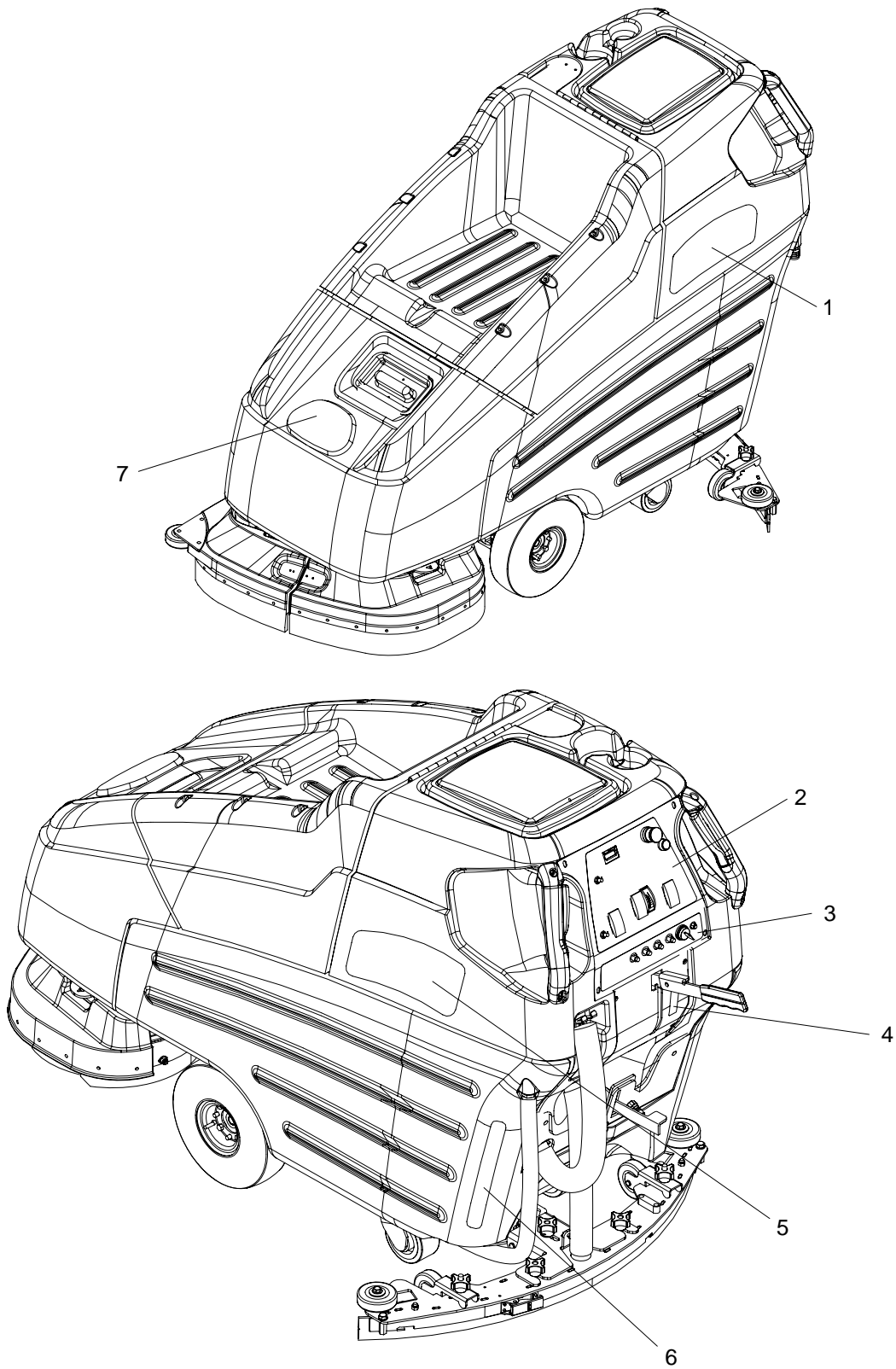
# COVER (TOP) & TANK MOUNT



## COVER (TOP) & TANK MOUNT

| REF | PART NO. | PRV NO. | QTY | DESCRIPTION                     | SERIAL NO.<br>FROM | NOTES:    |
|-----|----------|---------|-----|---------------------------------|--------------------|-----------|
| 1   | 86062540 | 27926   | 1   | COVER, TOP 24V GRY              |                    |           |
| 2   | 86271840 | 57285   | 3   | NUT, 5/16-18 HEX NYLOCK THIN SS |                    |           |
| 3   | 86010670 | 87029   | 10  | WASHER, 5/16 FLAT SS            |                    |           |
| 4   | 86239630 | 41429   | 1   | HINGE, COVER TO TANK            |                    |           |
| 5   | 86276780 | 70728   | 4   | SCR, 5/16-18 X 3/4 HHCS SS      |                    |           |
| 6   | 86073700 | 140484  | 1   | BRACKET, TANK LEFT              |                    |           |
| 7   | 86069630 | 140485  | 1   | BRACKET, TANK RIGHT             |                    |           |
| 8   | 86233390 | 80887   | 1   | CLAMP, 7/8 DIA "P" CUSHIONED    |                    |           |
| 9   | 86271870 | 57290   | 1   | NUT, 1/4-20 HEX NYLOCK THIN SS  |                    |           |
| 10  | 86276490 | 70670   | 3   | SCR, 5/16 -18 X 5/8 HHCS SS     |                    |           |
| -   | 86247670 | 58004   | 1   | NET, CARGO W/HOOKS              |                    | NOT SHOWN |
| 11  | 86276780 | 70728   | 3   | SCR, 5/16 -18 X 3/4 HHCS SS     |                    |           |

# DECAL

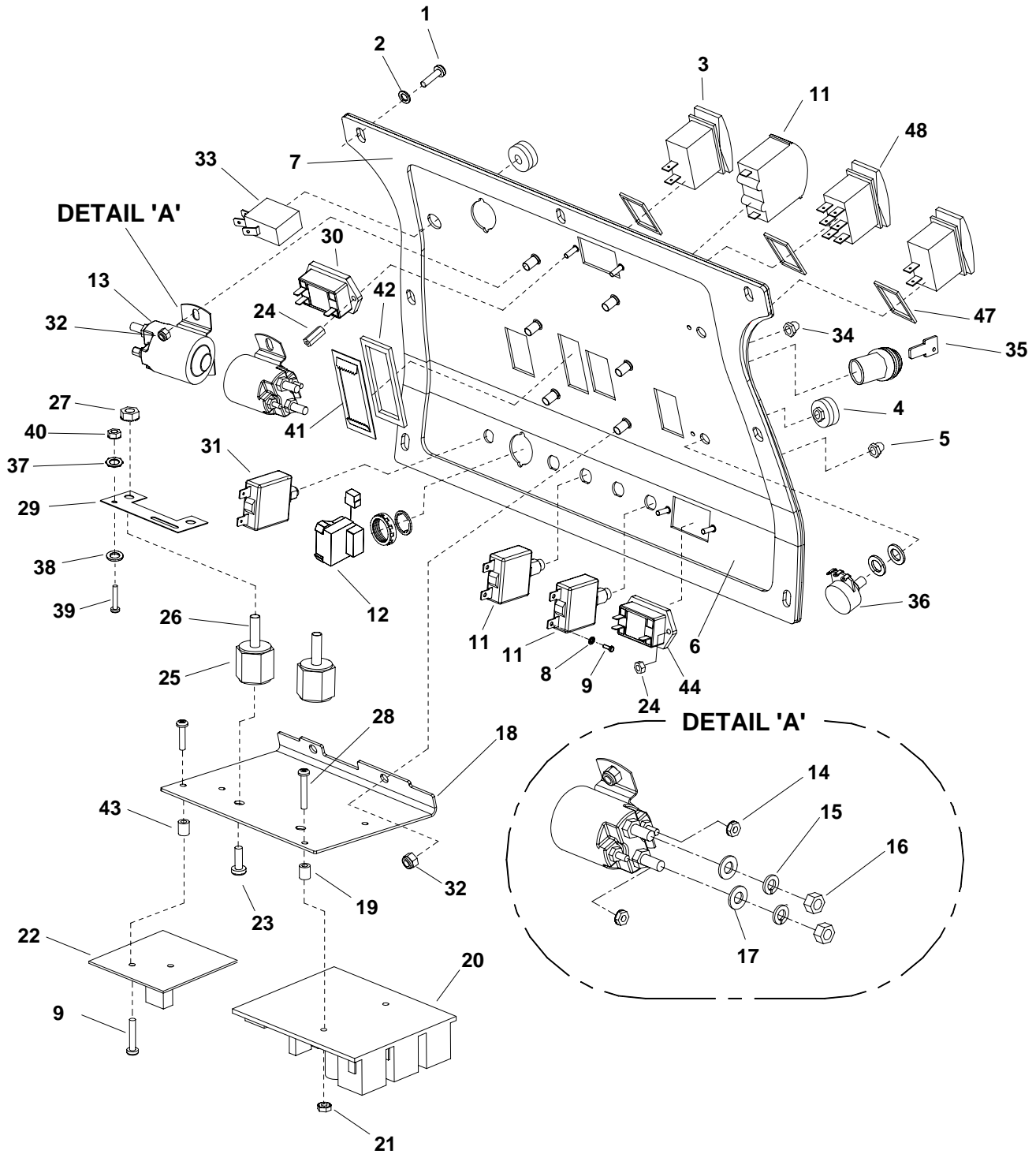


**DECAL**

| REF | PART NO. | PRV NO. | QTY | DESCRIPTION                   | SERIAL NO.<br>FROM | NOTES: |
|-----|----------|---------|-----|-------------------------------|--------------------|--------|
| 1   | 86243560 | 500573  | 1   | LABEL, CUTTER RIGHT           |                    |        |
| 2   | 86243520 | 500564  | 1   | LABEL, ELEC. PANEL 24V DELUXE |                    |        |
| 3   | 86243530 | 500565  | 1   | LABEL, ELEC. PANEL. LOWER 24V |                    |        |
| 4   | 86243600 | 500578  | 1   | LABEL, SQUEEGEE LEVER         |                    |        |
| 5   | 86243550 | 500572  | 1   | LABEL, CUTTER LEFT            |                    |        |
| 6   | 86243180 | 500479  | 1   | LABEL, SOLUTION FILL 24V      |                    |        |
| 7   | 86004970 | 50990   | 1   | LABEL, WINDSOR LOGO DOMED     |                    |        |



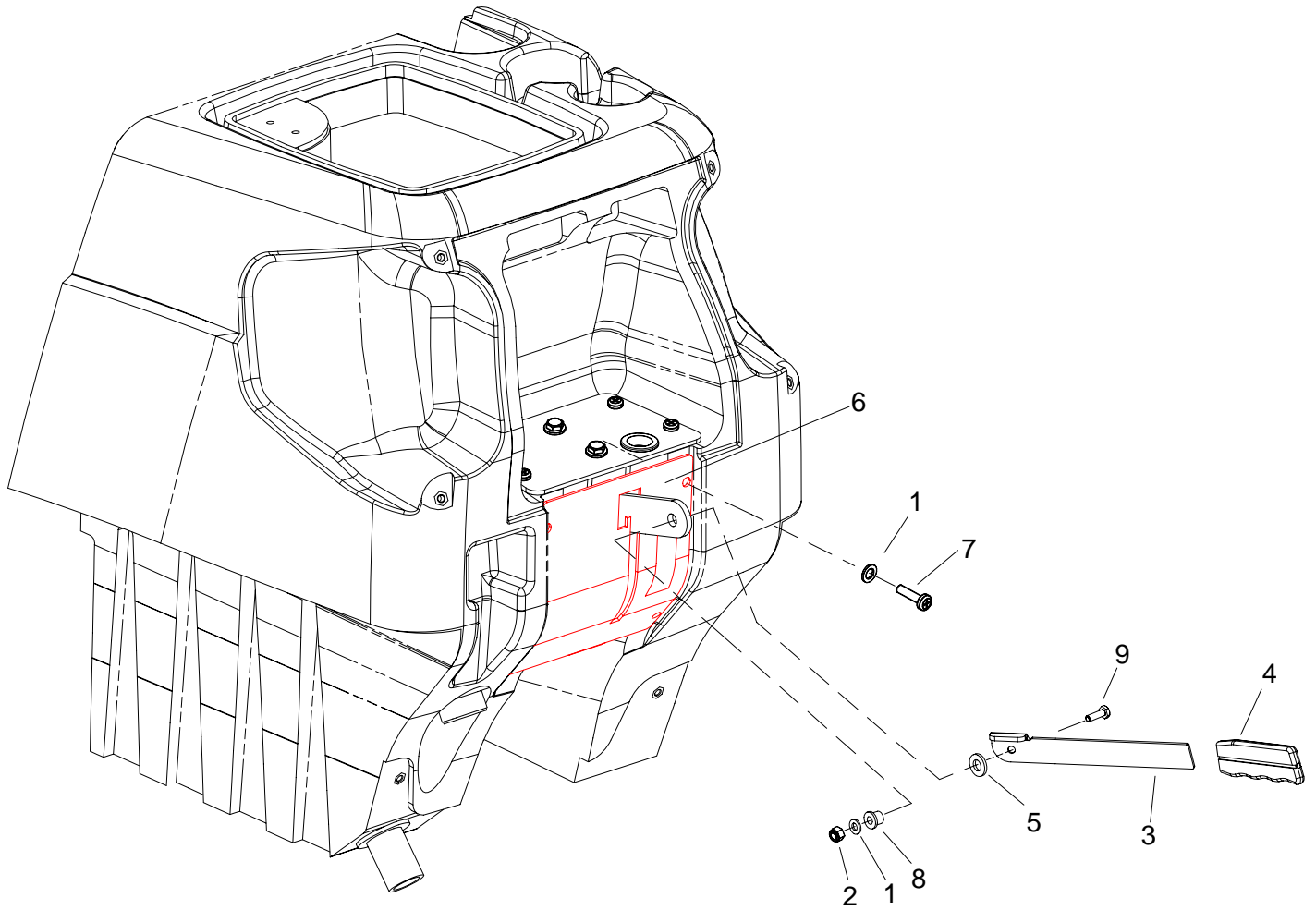
# ELECTRICAL PANEL



## ELECTRICAL PANEL

| REF | PART NO.  | PRV NO. | QTY | DESCRIPTION                           | SERIAL NO.<br>FROM | NOTES: |
|-----|-----------|---------|-----|---------------------------------------|--------------------|--------|
| 1   | 86276290  | 70626   | 7   | SCR, #10 X 3/4 PPHST HI-LO BLK        |                    |        |
| 2   | 86294250  | -       | 7   | WASHER, .19 ID X .5 X .09TK BLK       |                    |        |
| 3   | 86007140  | 72130   | 2   | SWITCH, SPST 2-POSITION ROCKER        |                    |        |
| 4   | 86242110  | 48088   | 2   | KNOB, .90 OD X .25 COLLET             |                    |        |
| 5   | 86008900  | 80845   | 4   | BOOT, SEAL-PUSH BUTTON 7/16-28        |                    |        |
| 6   | 86082180  | 62926   | 1   | PLATE, ELEC. PANEL 24V DELUXE         |                    |        |
| 7   | 86237800  | 35261   | 1   | GASKET, ELEC PLATE 24V                |                    |        |
| 8   | 86279300  | 87134   | 8   | WASHER, #6 LOCK                       |                    |        |
| 9   | 86273990  | 70067   | 12  | SCR, 6-32 X 3/8 PPHMS SS              |                    |        |
| 10  | 86001910  | 14606   | 4   | BREAKER, 30A 50VDC CIRCUIT            |                    |        |
| 11  | 86246940  | 54156   | 1   | METER, 0-50 AMP DC                    |                    |        |
| 12  | 86007170  | 72159   | 1   | SWITCH KEY TWO POSITION               |                    |        |
| 13  | 86006420  | 67393   | 2   | RELAY, 24VDC 100A                     |                    |        |
| 14  | 86005700  | 57104   | 4   | NUT10-32 W/STAR WASHER PLTD           |                    |        |
| 15  | 86279480  | 87166   | 4   | WASHER, 5/16 EXT LOCK PLTD            |                    |        |
| 16  | 86271080  | 57117   | 4   | NUT, 5/16-24 HEX PLTD                 |                    |        |
| 17  | 86010760  | 87142   | 2   | WASHER, .344 X .69 X .066 FLAT PLT    |                    |        |
| 18  | 86082820  | 66353   | 1   | PLATE, ELECT. PANEL, BACK             |                    |        |
| 19  | 86254440  | 73734   | 2   | SPACER, .166 ID X .313 OD X .375 L AL |                    |        |
| 20  | 86002950  | 27695   | 1   | CONTROLLER, 24VDC PROPEL MOTOR        |                    |        |
| 21  | 86270850  | 57026   | 2   | NUT, 8-32 HEX NYLOCK SS               |                    |        |
| 22  | 86002350  | 27944   | 1   | CIRCUIT BOARD, SOL FLOAT WIRED        |                    |        |
| 23  | 86276880  | 70751   | 2   | SCR, 1/4-20 X 3/8 HHCS SS             |                    |        |
| 24  | 86255900  | 73538   | 3   | STANDOFF, 6-32 x 5/8 HEX NYL          |                    |        |
| 25  | 86255910  | 73659   | 2   | STANDOFF, 1/4-20 X 1.0 HEX INS        |                    |        |
| 26  | 86006850  | 70393   | 2   | SET SCR, 1/4-20 X 1.25 L              |                    |        |
| 27  | 86005710  | 57105   | 2   | NUT, 1/4-20 HEX W/STAR WASHER         |                    |        |
| 28  | 86273910  | 70045   | 2   | SCR, 8-32 X 1 PPHMS SS                |                    |        |
| 29  | 86253630  | 73987   | 1   | SHUNT, DC AMM. 25 AMP, 50MV           |                    |        |
| 30  | 86005520  | 54145   | 1   | METER, 24V BATTERY CHARGE LEVEL       |                    |        |
| 31  | 86002000  | 14717   | 1   | BREAKER, 3 AMP 1681-090-300           |                    |        |
| 32  | 86271870  | 57290   | 6   | NUT, 1/4-20 HEX NYLOCK THIN SS        |                    |        |
| 33  | 86257030  | 72168   | 1   | SWITCH, MOMENTARY, DPST               |                    |        |
| 34  | 86002010  | 14942   | 1   | BOOT, 3/8 CIRCUIT BRAKER              |                    |        |
| 35  | 86004860  | 48073   | 1   | KEY SWITCH                            |                    |        |
| 36  | 86006310  | 66335   | 1   | POTENTIOMETER, 50K OHMS               |                    |        |
| 37  | 86279020  | 87026   | 2   | WASHER, #6 LOCK EXT STAR SS           |                    |        |
| 38  | 86279600  | 87187   | 2   | WASHER, #6 FLAT BRASS                 |                    |        |
| 39  | 86276250  | 70615   | 2   | SCR, 6-32 X 3/8 SRHMS BR              |                    |        |
| 40  | 86271790  | 57256   | 2   | NUT, 6-32 HEX BRASS                   |                    |        |
| 41  | 86249290  | 62283   | 1   | PLATE, METER RETAINING                |                    |        |
| 42  | 86237830  | 35264   | 1   | GASKET, AMP METER                     |                    |        |
| 43  | 86255890  | 730164  | 2   | STANDOFF, 6-33 X 1.0 HEX NYL          |                    |        |
| 44  | 860055220 | 54154   | 1   | METER, 24V BATTERY CHARGE LEVEL       |                    |        |
| 45  | 86267340  | 880269  | 2   | WIRE, 22" RED/18 76040 X 76075        |                    |        |
| 46  | 86267360  | 880271  | 1   | WIRE, 14" BLK/18 76011 X 76040        |                    |        |
| 47  | 86238030  | 36235   | 3   | GASKET, SWITCH CARLING                |                    |        |
| 48  | 86007210  | 72165   | 1   | SWITCH, DPDT 3-POSITION ROCKER        |                    |        |

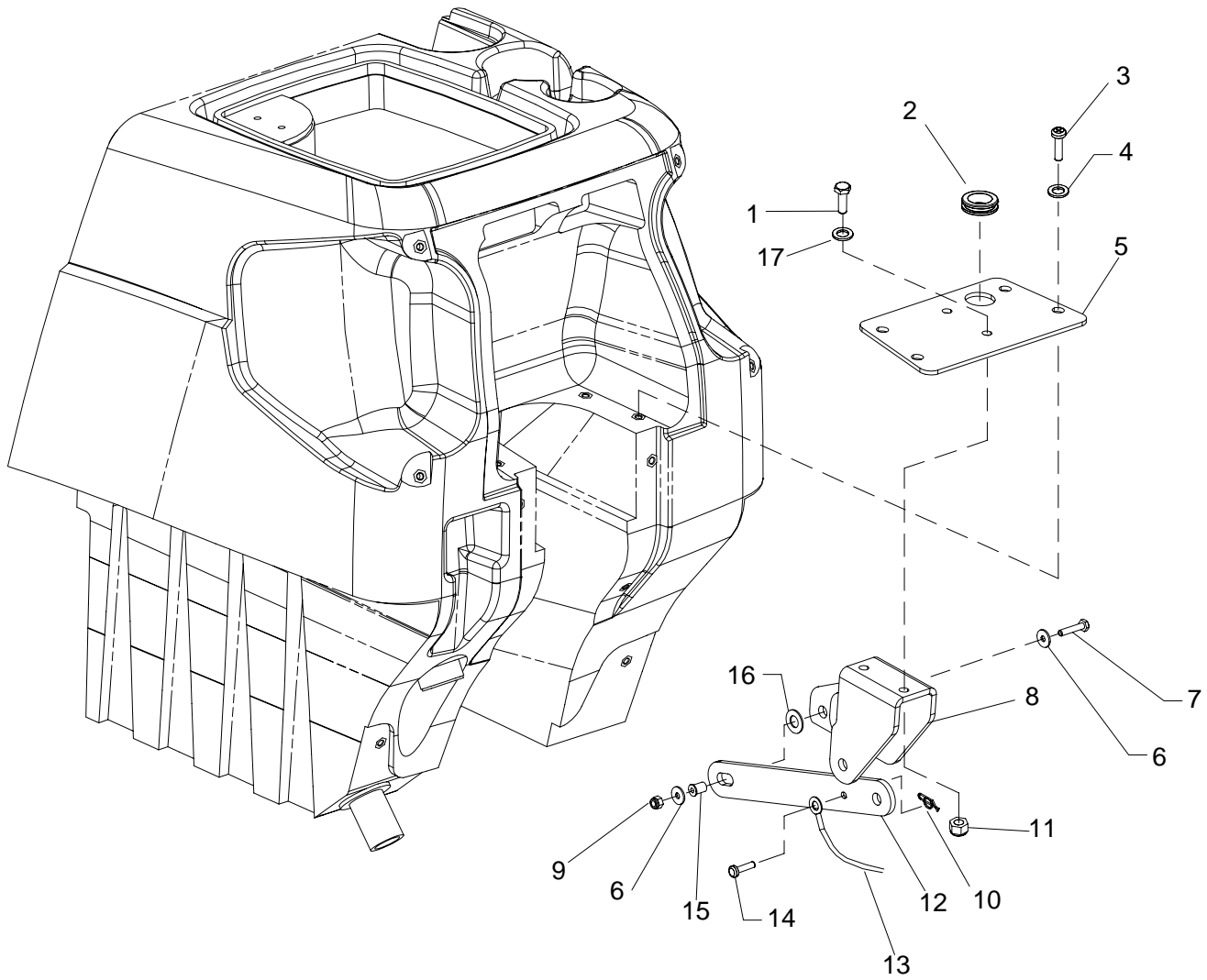
# LIFT HANDLE



**LIFT HANDLE**

| REF | PART NO. | PRV NO. | QTY | DESCRIPTION                        | SERIAL NO.<br>FROM | NOTES: |
|-----|----------|---------|-----|------------------------------------|--------------------|--------|
| 1   | 86010670 | 87029   | 5   | WASHER, 5/16 FLAT SS               |                    |        |
| 2   | 86271840 | 57285   | 1   | NUT, 5/16-18 HEX NYLOCK THIN SS    |                    |        |
| 3   | 86066860 | 140537  | 1   | BAR, SQG LIFT SWING 36V            |                    |        |
| 4   | 86238360 | 36215   | 1   | GRIP, 3/16 X 1.0 ORANGE            |                    |        |
| 5   | 86259400 | 87205   | 1   | WASHER, THRUST .51ID X 1OD BRO     |                    |        |
| 6   | 86082390 | 62961   | 1   | PLATE, LEVER NOTCH DLX             |                    |        |
| 7   | 86276780 | 70728   | 4   | SCR, 5/16-18 X 3/4 HHCS SS         |                    |        |
| 8   | 86228840 | 09124   | 1   | BEARING, FLANGED .314 ID X .502 OD |                    |        |
| 9   | 86006930 | 70514   | 1   | SCR, 5/16-18 X 1.00 BSHCS SS       |                    |        |

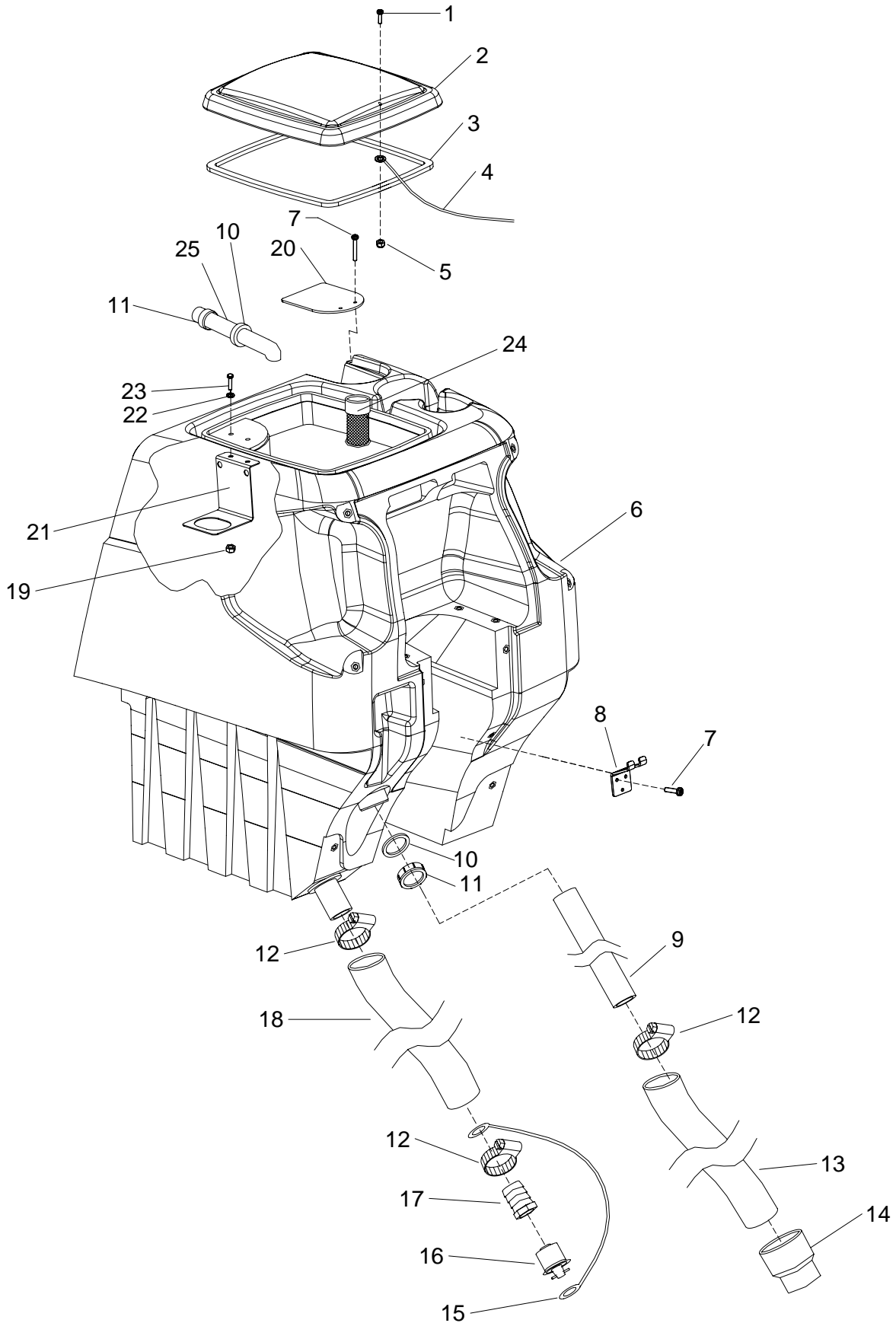
# LIFT HANDLE LINKAGE



## LIFT HANDLE LINKAGE

| REF | PART NO. | PRV NO. | QTY | DESCRIPTION                       | SERIAL NO.<br>FROM | NOTES: |
|-----|----------|---------|-----|-----------------------------------|--------------------|--------|
| 1   | 86276920 | 70755   | 2   | SCR, 3/8-16 X 1 HHCS SS NP        |                    |        |
| 2   | 86238430 | 36191   | 1   | GROMMET, 1.00ID 3/16 GRIP         |                    |        |
| 3   | 86276780 | 70728   | 4   | SCR, 5/16-18 X 3/4 HHCS SS        |                    |        |
| 4   | 86010670 | 87029   | 4   | WASHER, 5/16 FLAT SS              |                    |        |
| 5   | 86082270 | 62946   | 1   | PLATE, PIVOT                      |                    |        |
| 6   | 86010630 | 87013   | 2   | WASHER, 1/4ID X 5/8OD SS          |                    |        |
| 7   | 86273820 | 70019   | 1   | SCR, 1/4-20 X 1.25 HHCS SS        |                    |        |
| 8   | 86069610 | 140482  | 1   | BRACKET, SCRUB DECK PIVOT 24V     |                    |        |
| 9   | 86271870 | 57290   | 1   | NUT, 1/4-20 HEX NYLOCK THIN SS    |                    |        |
| 10  | 86008650 | 80604   | 1   | COTTER, 1/4" RING                 |                    |        |
| 11  | 86005630 | 57022   | 2   | NUT, 3/8-16 HEX NYLOCK THIN SS    |                    |        |
| 12  | 86077480 | 51365   | 1   | LINK, SQG LIFT FIXED              |                    |        |
| 13  | 86003240 | 27942   | 1   | CABLE, .125 X 26.5 0707 SS LB E-E |                    |        |
| 14  | 86009560 | 82053   | 1   | PIN, CLEVIS 1/4" X .63" PLTD      |                    |        |
| 15  | 86228900 | 09138   | 1   | BEARING, FLANGED .252ID X .503OD  |                    |        |
| 16  | 86259400 | 87205   | 1   | WASHER, THRUST .51ID X 1OD BRO    |                    |        |
| 17  | 86278910 | 87003   | 2   | WASHER, 3/8 ID X 7/8 OD SS        |                    |        |

# RECOVERY TANK

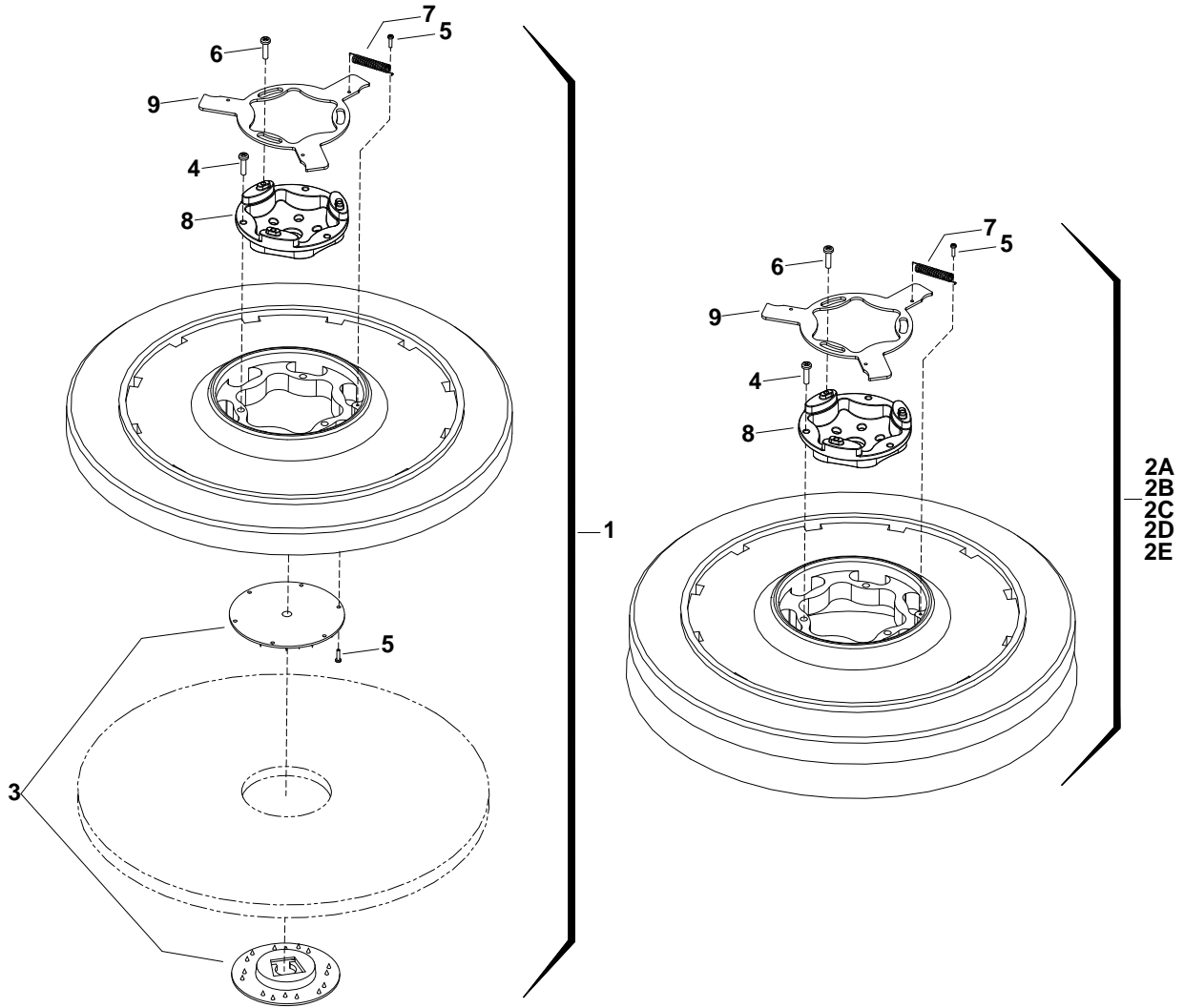


## RECOVERY TANK

| REF | PART NO. | PRV NO. | QTY | DESCRIPTION                    | SERIAL NO.<br>FROM | NOTES: |
|-----|----------|---------|-----|--------------------------------|--------------------|--------|
| 1   | 86273950 | 70056   | 1   | SCR, 6-32 X 1/2 PPHMS          |                    |        |
| 2   | 86003340 | 28062   | 1   | DOME, 13 X 11                  |                    |        |
| 3   | 86003990 | 35250   | 1   | GASKET, DOME                   |                    |        |
| 4   | 86246080 | 51368   | 2   | LANYARD, 18.0 W/ LOOP & EYE    |                    |        |
| 5   | 86270920 | 57049   | 1   | NUT, 6-32 HEX NYLOCK SS        |                    |        |
| 6   | 86032540 | 75371   | 1   | TANK, RECOVERY 24V GRY         |                    |        |
| 7   | 86276290 | 70626   | 5   | SCR, #10 X 3/4 PPHST HI-LO BLK |                    |        |
| 8   | 86001190 | 140133  | 1   | BRACKET, RECOVERY HOSE MTG     |                    |        |
| 9   | 86089630 | 78490   | 1   | TUBE, 1.5 PVC X 24.0           |                    |        |
| 10  | 86237650 | 35219   | 2   | GASKET, 1-1/2 COMPRESSION      |                    |        |
| 11  | 86005660 | 57033   | 2   | NUT, 1.5 SLIP JOINT            |                    |        |
| 12  | 86002400 | 20064   | 3   | CLAMP, 2.0" WORM GEAR X .312W  |                    |        |
| 13  | 86004180 | 39315   | 1   | HOSE, 1.5 BLK VAC X 28"        |                    |        |
| 14  | 86002840 | 27282   | 1   | CUFF, 1.5 SLIP X 1.5 HOSE      |                    |        |
| 15  | 86008400 | 78499   | 1   | TETHER, DRAIN PLUG             |                    |        |
| 16  | 86006240 | 66227   | 1   | PLUG, DRAIN HOSE               |                    |        |
| 17  | 86004450 | 40019   | 1   | HOSEBARB, 1.5 DOUBLE MCHD      |                    |        |
| 18  | 86004260 | 39472   | 1   | HOSE, 1.5 X 24.0 DRAIN         |                    |        |
| 19  | 86271870 | 57290   | 2   | NUT, 1/4-20 HEX NYLOCK THIN SS |                    |        |
| 20  | 86075540 | 27941   | 1   | COVER, VACUUM HOSE             |                    |        |
| 21  | 86069780 | 140511  | 1   | BRACKET, VAC INTAKE            |                    |        |
| 22  | 86010630 | 87013   | 2   | WASHER, 1/4ID X 5/8OD SS       |                    |        |
| 23  | 86273810 | 70018   | 2   | SCR, 1/4-20 X 1 HHCS SS        |                    |        |
| 24  | 86236410 | 34394   | 1   | FLOAT, VAC SHUT OFF            |                    |        |
| 25  | 86257860 | 78390   | 1   | TUBE, 1.5 WASTE                |                    |        |



# SCRUB BRUSH/PAD DRIVER



## SCRUB BRUSH/PAD DRIVER

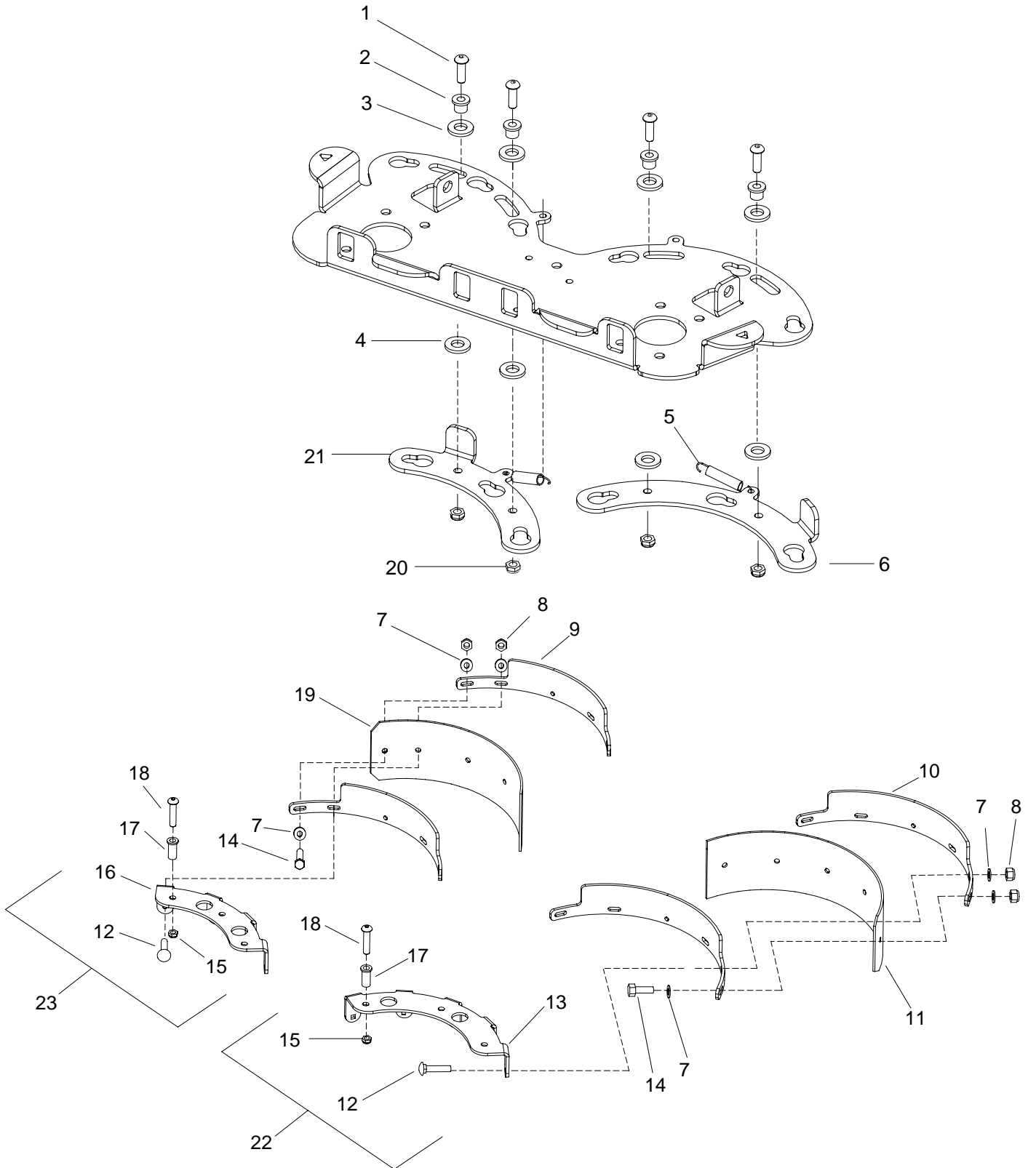
### 26 IN DISK:

| REF | PART NO. | PRV NO. | QTY | DESCRIPTION                         | SERIAL NO.<br>FROM | NOTES: |
|-----|----------|---------|-----|-------------------------------------|--------------------|--------|
| 1   | 86000210 | 02406   | 2   | PAD DRIVER, 13" SD                  |                    |        |
| 2A  | 86000220 | 02407   | 2   | BRUSH, 13" POLYPROPYLENE SD         |                    |        |
| 2B  | 86000230 | 02408   | 2   | BRUSH, 13" NYLON SD U19981          |                    |        |
| 2C  | 86000240 | 02410   | 2   | BRUSH, 13" MILD GRIT SD U19882      |                    |        |
| 3   | 86005070 | 51284   | 1   | LOCK, PAD CENTER SNAP, TWO STEP     |                    |        |
| 4   | 86276590 | 70695   | 3   | SCR, #12 X 1.0 PPHMS SS             |                    |        |
| 5   | 86276580 | 70694   | 4   | SCR, 8-32 X 3/4 PTHMS SS            |                    |        |
| 6   | 86276600 | 70696   | 3   | SCR, #10 X 3/4 PTHMS SS             |                    |        |
| 7   | 86007910 | 73817   | 1   | SPRING, EX .31 D X 2.0 L X .03 W SS |                    |        |
| 8   | 86007280 | 730011  | 1   | SOCKET, DRIVE BRUSH                 |                    |        |
| 9   | 86005940 | 62852   | 1   | PLATE, BRUSH RELEASE                |                    |        |

### 32 IN DISK:

| REF | PART NO. | PRV NO. | QTY | DESCRIPTION                          | SERIAL NO.<br>FROM | NOTES: |
|-----|----------|---------|-----|--------------------------------------|--------------------|--------|
| 1   | 86000290 | 02418   | 2   | PAD DRIVER, 16" SD                   |                    |        |
| 2A  | 86000300 | 02419   | 2   | BRUSH, 16" POLYPROPYLENE SD          |                    |        |
| 2B  | 86000310 | 02420   | 2   | BRUSH, 16" NYLON SD                  |                    |        |
| 2C  | 86000320 | 02421   | 2   | BRUSH, 16" NYLON POLISH SD           |                    |        |
| 2D  | 86000330 | 02422   | 2   | BRUSH, 16" MILD GRIT SD              |                    |        |
| 2E  | 86000340 | 02423   | 2   | BRUSH, 16" SUPER AGGRESSIVE SD       |                    |        |
| 3   | 86005070 | 51284   | 1   | LOCK, PAD CENTER SNAP, TWO STEP      |                    |        |
| 4   | 86276590 | 70695   | 3   | SCR, #12 X 1.0 PPHMS SS              |                    |        |
| 5   | 86276580 | 70694   | 4   | SCR, 8-32 X 3/4 PTHMS SS             |                    |        |
| 6   | 86276600 | 70696   | 3   | SCR, #10 X 3/4 PTHMS SS              |                    |        |
| 7   | 86007910 | 73817   | 1   | SPRING, EXT .31 D X 2.0 L X .03 W SS |                    |        |
| 8   | 86007280 | 730011  | 1   | SOCKET, DRIVE BRUSH                  |                    |        |
| 9   | 86005940 | 62852   | 1   | PLATE, BRUSH RELEASE                 |                    |        |

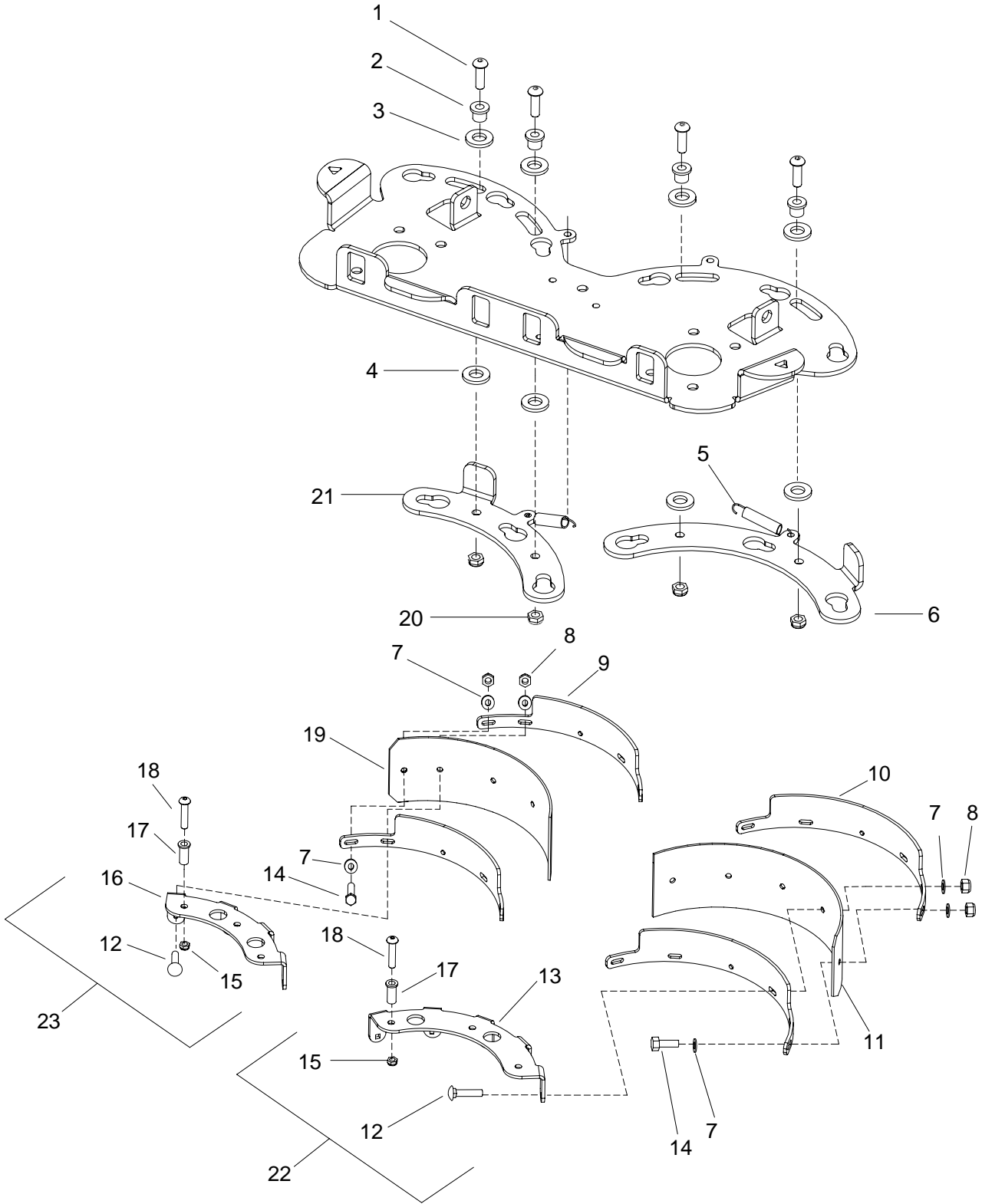
# SCRUB DECK AQUA-MIZER-26IN SCRUBHEAD



## SCRUB DECK AQUA-MIZER-26IN SCRUBHEAD

| REF | PART NO. | PRV NO. | QTY | DESCRIPTION                        | SERIAL NO.<br>FROM | NOTES:      |
|-----|----------|---------|-----|------------------------------------|--------------------|-------------|
| 1   | 86006930 | 70514   | 4   | SCR, 5/16-18 X 1.00 BSHCS SS       |                    |             |
| 2   | 86228840 | 09124   | 4   | BEARING, FLANGED .314 ID X .502 OD |                    |             |
| 3   | 86259420 | 87232   | 4   | WASHER, THRUST .51 ID X 1 OD BRO   |                    |             |
| 4   | 86259400 | 87205   | 4   | WASHER, THRUST .51 ID X 1 OD BRO   |                    |             |
| 5   | 86255060 | 73426   | 2   | SPRING, EXT. .43D X 2.50L X .047W  |                    |             |
| 6   | 86082370 | 62957   | 1   | PLATE, AQ LOCK L 13 IN             |                    |             |
| 7   | 86010630 | 87013   | 13  | WASHER, 1/4 ID C 5/8 OD SS         |                    |             |
| 8   | 86271870 | 57290   | 11  | NUT, 1/4-20 HEX NYLOCK THIN SS     |                    |             |
| 9   | 86255990 | 62939   | 2   | STRAP, AQ, BACK, L 13 IN           |                    |             |
| 10  | 86256000 | 62940   | 2   | STRAP, AQ, BACK, R 13 IN           |                    |             |
| 11A | 86001410 | 140507  | 1   | BLADE, 13 LEFT                     |                    |             |
| 11B | 86135150 | 730428  | 1   | BLADE, 13 IN LT URETHANE           |                    |             |
| 12  | 86276960 | 70773   | 9   | SCR, 1/4-20 X 1 CARRIAGE SS        |                    |             |
| 13  | 86249530 | 62937   | 1   | PLATE, AQ ATTACH L 13 IN           |                    |             |
| 14  | 86273780 | 70015   | 2   | SCR, 1/4-20 X 3/4 HHCS SS NP       |                    |             |
| 15  | 86005630 | 57022   | 6   | NUT, 3/8-16 HEX NYLOCK THIN SS     |                    |             |
| 16  | 86249540 | 62938   | 1   | PLATE, AQ, ATTACH R 13 IN          |                    |             |
| 17  | 86228910 | 09139   | 6   | BEARING, FLANGED .377 ID C .502 OD |                    |             |
| 18  | 86276860 | 70747   | 6   | SCR, 3/8-16 X 1.75 BSHCS SS        |                    |             |
| 19A | 86001400 | 140506  | 1   | BLADE, 13 IN RIGHT                 |                    |             |
| 19B | 86135140 | 730427  | 1   | BLADE, 13IN RT URETHANE            |                    |             |
| 20  | 86271840 | 57285   | 4   | NUT, 5/16-18 HEX NYLOCK THIN SS    |                    |             |
| 21  | 86082380 | 62958   | 1   | PLATE, AQ LOCK R 13 IN             |                    |             |
| 22  | 86024970 | 47397   | -   | AQUA-MIZER 26" SCRUBHEAD LEFT      |                    | SERVICE ASM |
| 23  | 86024980 | 47400   | -   | AQUA-MIZER 26" SCRUBHEAD RIGHT     |                    | SERVICE ASM |

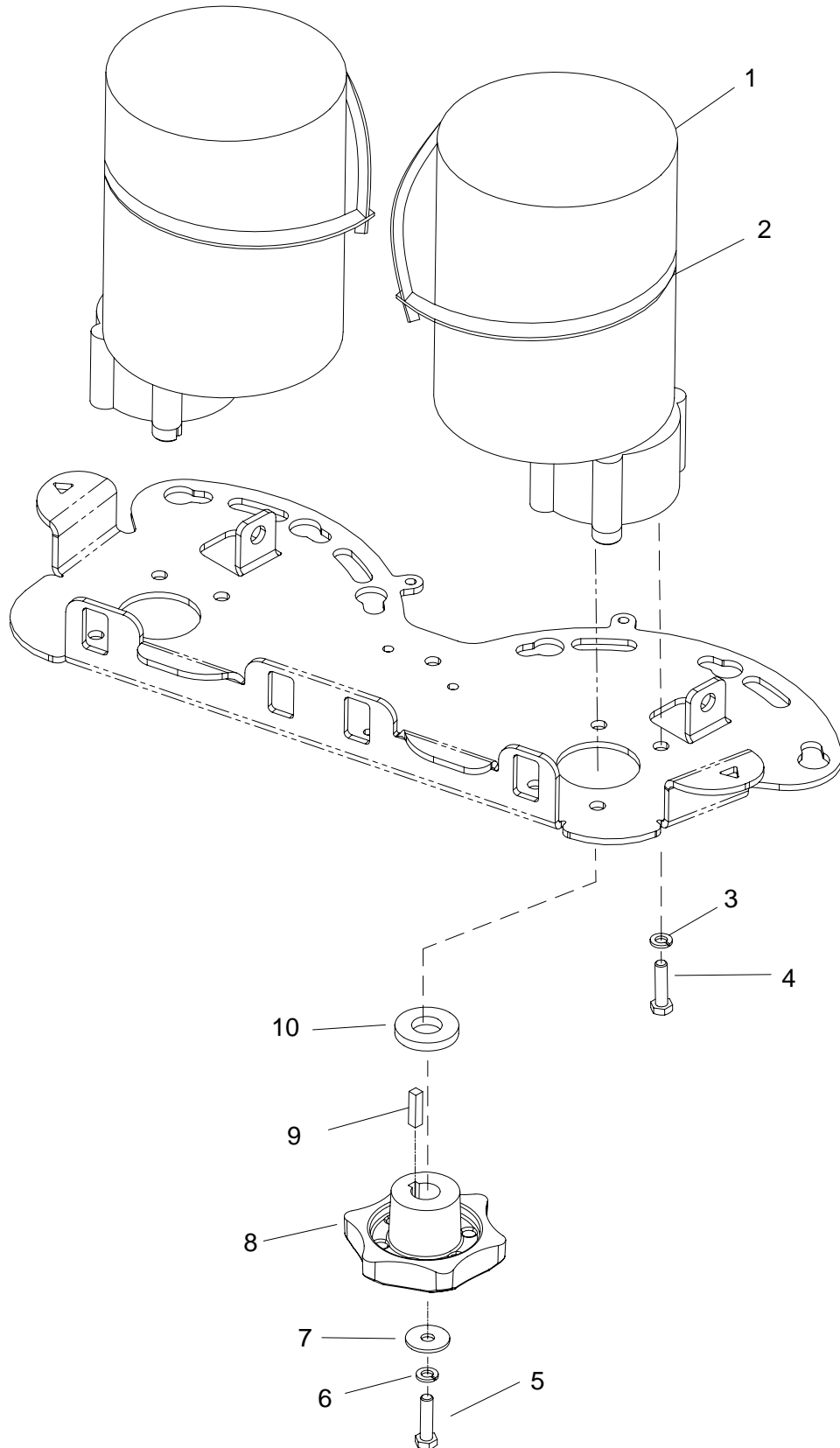
# SCRUB DECK AQUA-MIZER-32IN SCRUBHEAD



## SCRUB DECK AQUA-MIZER-32IN SCRUBHEAD

| REF | PART NO. | PRV. NO | QTY | DESCRIPTION                        | SERIAL NO. FROM | NOTES:      |
|-----|----------|---------|-----|------------------------------------|-----------------|-------------|
| 1   | 86006930 | 70514   | 4   | SCR, 5/16-18 X 1.00 BSHCS SS       |                 |             |
| 2   | 86228840 | 09124   | 4   | BEARING, FLANGED .314 ID X .502 OD |                 |             |
| 3   | 86259420 | 87232   | 4   | WASHER, THRUST .51 ID X 1 OD BRO   |                 |             |
| 4   | 86259400 | 87205   | 4   | WASHER, THRUST .51 ID X 1 OD BRO   |                 |             |
| 5   | 86255060 | 73426   | 2   | SPRING, EXT. .43D X 2.50L X .047W  |                 |             |
| 6   | 86249590 | 66374   | 1   | PLATE, AQ LOCK LEFT 16 IN          |                 |             |
| 7   | 86010630 | 87013   | 13  | WASHER, 1/4 ID 5/8 OD SS           |                 |             |
| 8   | 86271870 | 57290   | 11  | NUT, 1/4-20 HEX NYLOCK THIN SS     |                 |             |
| 9   | 86256020 | 730131  | 2   | STRAP, AQ, BACK, L 16 INCH         |                 |             |
| 10  | 86256010 | 730130  | 2   | STRAP, AQ, BACK, L 16 INCH         |                 |             |
| 11A | 86001430 | 140528  | 1   | BLADE, AQ LEFT 16 INCH             |                 |             |
| 11B | 86135160 | 730429  | 1   | BLADE, AQ LT 16 INCH URETHANE      |                 |             |
| 12  | 86273810 | 70018   | 2   | SCR, 1/4-20 X 1 HHCS SS            |                 |             |
| 13  | 86082870 | 66370   | 1   | PLATE, AQ ATTACH L, 16"            |                 |             |
| 14  | 86276960 | 70773   | 9   | SCR, 1/4-20 X 1 CARRIAGE SS        |                 |             |
| 15  | 86005630 | 57022   | 6   | NUT, 3/8-16 HEX NYLOCK THIN SS     |                 |             |
| 16  | 86082880 | 66371   | 1   | PLATE, AQ, ATTACH R 16 IN          |                 |             |
| 17  | 86228910 | 09139   | 6   | BEARING, FLANGED .377 ID C .502 OD |                 |             |
| 18  | 86276860 | 70747   | 6   | SCR, 3/8-16 X 1.75 BSHCS SS        |                 |             |
| 19A | 86135140 | 140527  | 1   | BLADE, AQ RIGHT 16 INCH            |                 |             |
| 19B | 86135170 | 730430  | 1   | BLADE, AQ RT 16 INCH URETHANE      |                 |             |
| 20  | 86271840 | 57285   | 4   | NUT, 5/16-18 HEX NYLOCK THIN SS    |                 |             |
| 21  | 86249600 | 66375   | 1   | PLATE, AQ LOCK RIGHT 16 IN         |                 |             |
| 22  | 86024960 | 47396   | -   | AQUA-MIZER 32" SCRUBHEAD LEFT      |                 | SERVICE ASM |
| 23  | 86004700 | 47401   | -   | AQUA-MIZER 32" SCRUBHEAD RIGHT     |                 | SERVICE ASM |

# SCRUB DECK MOTORS

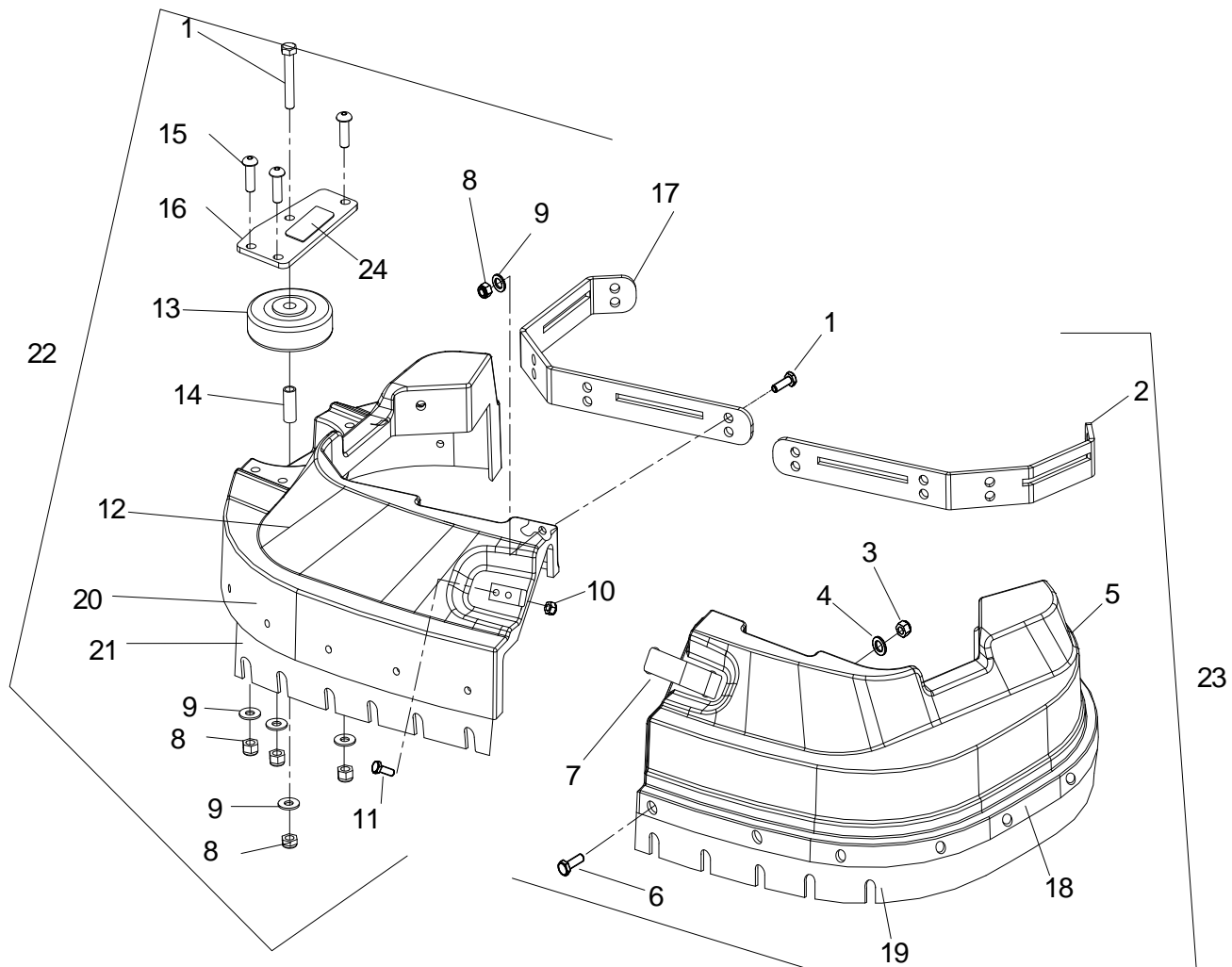


## SCRUB DECK MOTORS

| REF | PART NO. | PRV NO. | QTY | DESCRIPTION                         | SERIAL NO.<br>FROM | NOTES:          |
|-----|----------|---------|-----|-------------------------------------|--------------------|-----------------|
| 1   | 86005320 | 53630   | 2   | MOTOR ASM, 24VDC 200RPM GEAR        |                    |                 |
| 1A  | 86001360 | 140394  | -   | BRUSH SET, CCL MOTORS               |                    | SERVICE ONLY    |
| 2   | 86002830 | 27196   | 2   | CABLE TIE, .375 X 24.7              |                    |                 |
| 3   | 86010790 | 87163   | 8   | WASHER, 3/8 SPLIT LOCK PLTD         |                    |                 |
| 4   | 86276970 | 70774   | 8   | SCR, 3/8-16 X 3/4 HHCS SS           |                    |                 |
| 5   | 86007020 | 70673   | 2   | SCR, 5/16-18 X 1.25 HHCS SS         |                    |                 |
| 6   | 86279130 | 87083   | 2   | WASHER, 5/16 SPLIT LOCK PLTD        |                    |                 |
| 7   | 86279630 | 87212   | 2   | WASHER, .344ID X 1.13OD X .09T PLTD |                    |                 |
| 8   | 86003420 | 29220   | 2   | DRIVER, BRUSH SD                    |                    |                 |
| 9   | 86004810 | 48040   | 2   | KEY, 1/4 SQ. X 1.00                 |                    | SUPPLIED W/ MTR |
| 10  | 86279640 | 87213   | 2   | WASHER, .78ID X 1.63OD X .25T PLTD  |                    |                 |



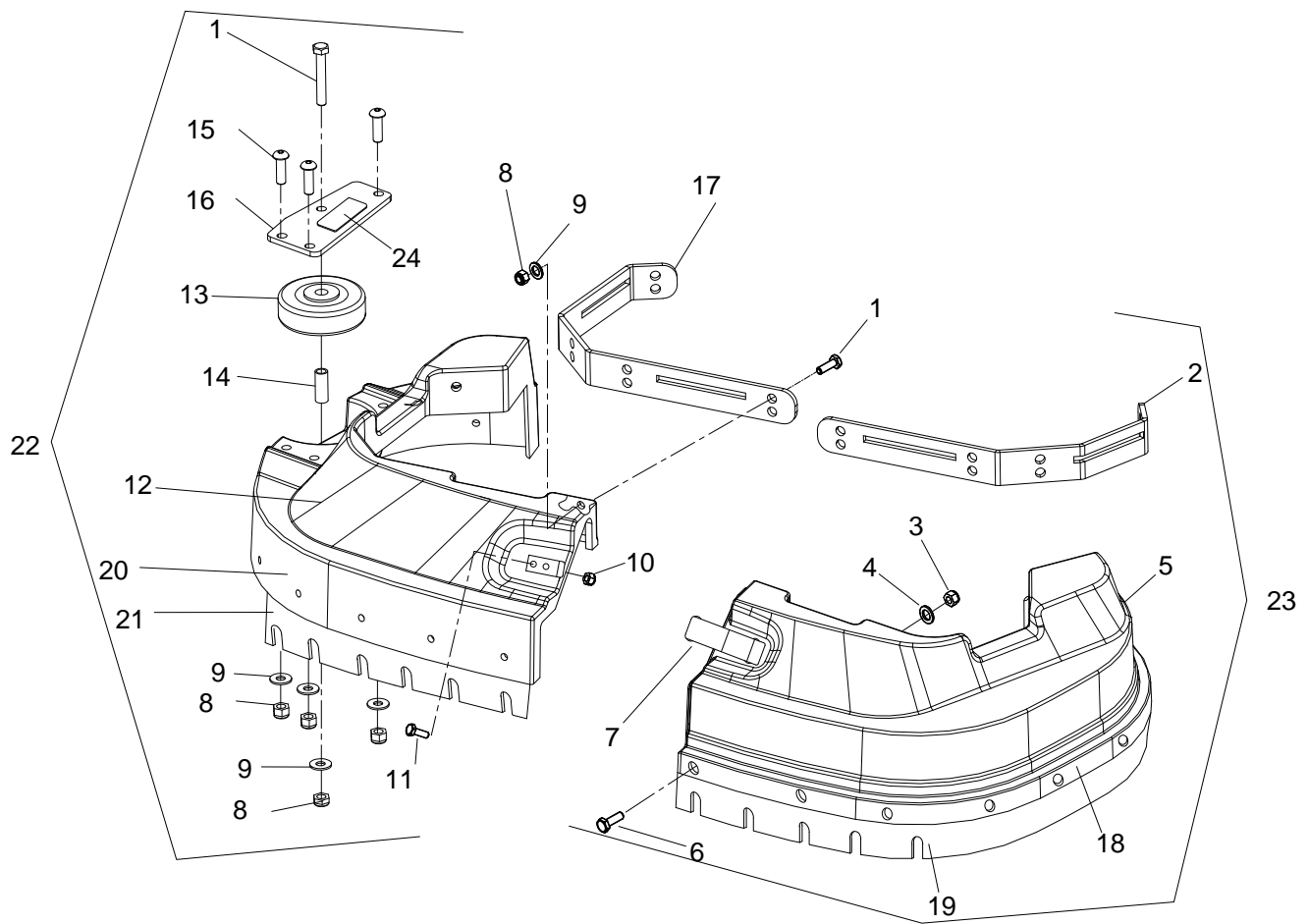
# SCRUB DECK SKIRT



## SCRUB DECK SKIRT-26IN SCRUBHEAD

| REF | PART NO. | PRV. NO   | QTY | DESCRIPTION                     | SERIAL NO.<br>FROM | NOTES:       |
|-----|----------|-----------|-----|---------------------------------|--------------------|--------------|
| 1   | 86006930 | 70514     | 10  | SCR, 5/16-18 X 1.00 BSHCS SS    |                    |              |
| 2   | 86069650 | 140488    | 1   | BRACKET, SHROUD LEFT            |                    |              |
| 3   | 86271900 | 57294     | 19  | NUT, 10-24 HEX NYLOCK THIN SS   | 1000094309         |              |
| 4   | 86010650 | 87018     | 19  | WASHER, #10 X 9/16 ODS          |                    |              |
| 5   | 86062940 | 730113    | 1   | SHROUD, SCRUBDECK 26" LFT       |                    |              |
| 6   | 86277110 | 70789     | 19  | SCR, 10-24 X 3/4 PPHMS SS       | 1000094309         |              |
| 7   | 86161800 | 46-802531 | 1   | LATCH & CONCEALED KEEPER        |                    |              |
| 8   | 86271840 | 57285     | 12  | NUT, 5/16-18 HEX NYLOCK THIN SS | 1000094309         |              |
| 9   | 86292500 | -         | 11  | WASHER, 5/16 ID X 9/16 OD SS    |                    |              |
| 10  | 86270920 | 57049     | 4   | NUT, 6-32 HEX NYLOCK SS         |                    |              |
| 11  | 86273950 | 70056     | 4   | SCR, 6-32 X 1/2 PPHMS SS        | 1000094309         |              |
| 12  | 86062950 | 730115    | 1   | SHROUD, SCRUBDECK 26" RIGHT     |                    |              |
| 13  | 86011020 | 89202     | 1   | WHEEL, 3" DIA CUSHION RUBBER    |                    |              |
| 14  | 86001350 | 140390    | 1   | BUSHING, SPANNER, .435 X 1.10   |                    |              |
| 15  | 86277150 | 70797     | 1   | SCR, 5/16-18 X 2 BSHCS SS       | 1000094309         |              |
| 16  | 86082950 | 66385     | 1   | PLATE, BUMPER WHEEL ATTACH      | 1000094309         |              |
| 17  | 86069640 | 140487    | 1   | BRKT, SHROUD RIGHT              |                    |              |
| 18  | 86066380 | 140543    | 1   | BAND, SHROUD SKIRT LEFT         |                    |              |
| 19  | 86007440 | 730119    | 1   | SKIRT, 26INCH LEFT              |                    |              |
| 20  | 86066390 | 140544    | 1   | BAND, SHROUD SKIRT RIGHT        |                    |              |
| 21  | 86007450 | 730120    | 1   | SKIRT, 26INCH RIGHT             |                    |              |
| 22  | 86004730 | 47414     | -   | SHROUD ASM, 26" RIGHT SCRUBHEAD |                    | SERVICE ONLY |
| 23  | 86004740 | 47415     | -   | SHROUD ASM, 26" LEFT SCRUBHEAD  |                    | SERVICE ONLY |
| 24  | 86244100 | 500831    | 1   | LABEL, AQUA-MIZER               |                    |              |

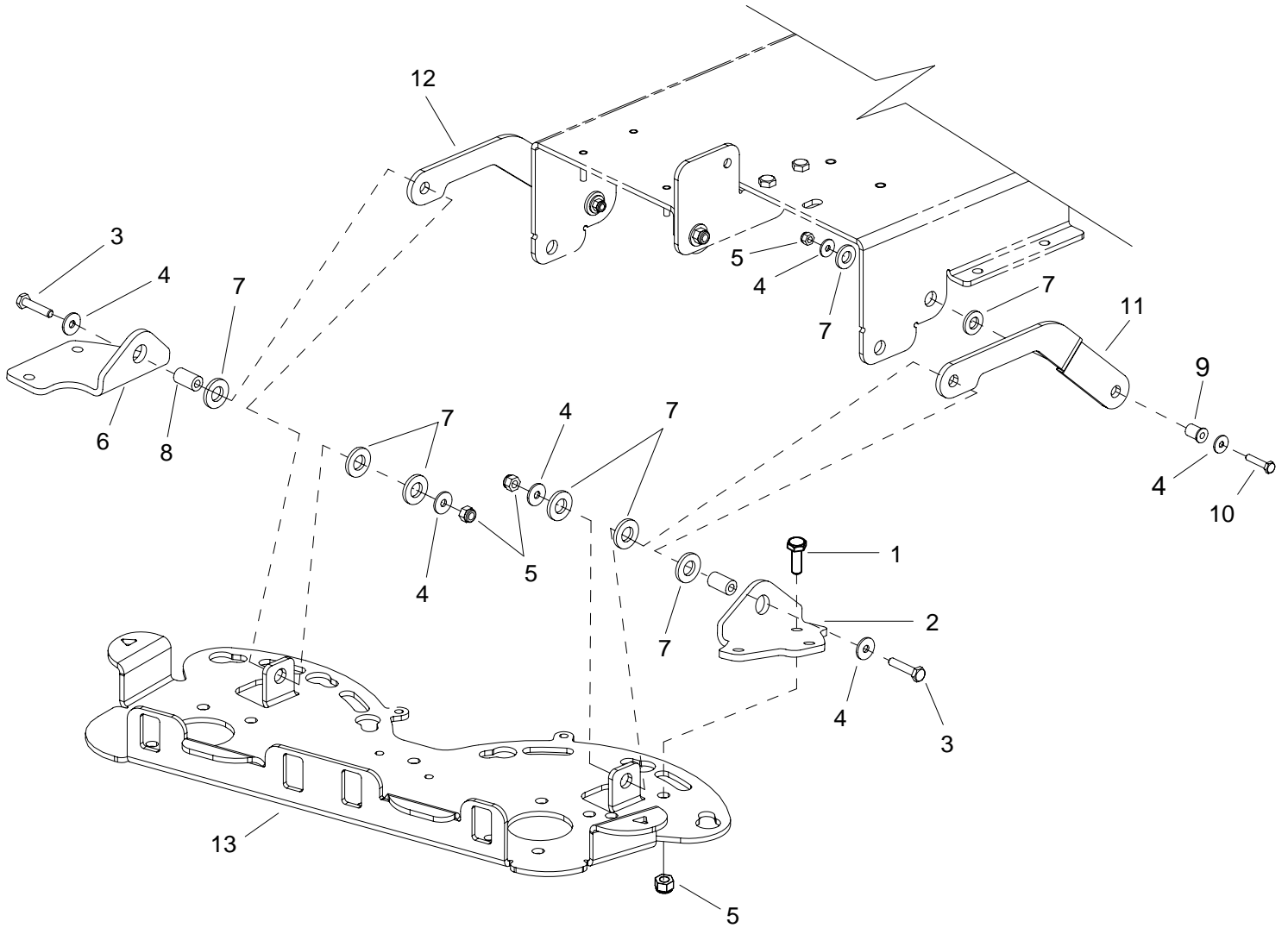
# SCRUB DECK SKIRT – 32IN SCRUBHEAD



## SCRUB DECK SKIRT-32IN SCRUBHEAD

| REF | PART NO. | PRV NO.   | QTY | DESCRIPTION                     | SERIAL NO.<br>FROM | NOTES:       |
|-----|----------|-----------|-----|---------------------------------|--------------------|--------------|
| 1   | 86006930 | 70514     | 10  | SCR, 5/16-18 X 1.00 BSHCS SS    |                    |              |
| 2   | 86070050 | 140563    | 1   | BRACKET, SHROUD RETAINER LEFT   |                    |              |
| 3   | 86271900 | 57294     | 23  | NUT, 10-24 HEX NYLOCK THIN SS   | 1000094309         |              |
| 4   | 86010650 | 87018     | 23  | WASHER, #10 X 9/16 OD           |                    |              |
| 5   | 86062960 | 730136    | 1   | SHROUD, SCRUBDECK 32" LEFT      |                    |              |
| 6   | 86277110 | 70789     | 23  | SCR, 10-24 X 3/4 PPHMS SS       | 1000094309         |              |
| 7   | 86161800 | 46-802531 | 1   | LATCH & CONCEALED KEEPER        |                    |              |
| 8   | 86271840 | 57285     | 10  | NUT, 5/16-18 HEX NYLOCK THIN SS | 1000094309         |              |
| 9   | 86292500 | -         | 11  | WASHER, 5/16 ID X 9/16 OD SS    |                    |              |
| 10  | 86270920 | 57049     | 4   | NUT, 6-32 HEX NYLOCK SS         |                    |              |
| 11  | 86273950 | 70056     | 4   | SCR, 6-32 X 1/2 PPHMS SS        | 1000094309         |              |
| 12  | 86062970 | 730137    | 1   | SHROUD, SCRUBDECK 32" RIGHT     |                    |              |
| 13  | 86011020 | 89202     | 1   | WHEEL, 3" DIA CUSHION RUBBER    |                    |              |
| 14  | 86001350 | 140390    | 1   | BUSHING, SPANNER, .435 X 1.10   |                    |              |
| 15  | 86277150 | 70797     | 1   | SCR, 5/16-18 X 2 BSHCS SS       | 1000094309         |              |
| 16  | 86082950 | 66385     | 1   | PLATE, BUMPER WHEEL ATTACH      | 1000094309         |              |
| 17  | 86070040 | 140562    | 1   | BRKT, SHROUD RETAINER RIGHT     |                    |              |
| 18  | 86066410 | 140549    | 1   | BAND, SKIRT LEFT 32 INCH        |                    |              |
| 19  | 86007530 | 730145    | 1   | SKIRT, 32 INCH LEFT             |                    |              |
| 20  | 86069640 | 140548    | 1   | BAND, SKIRT RIGHT 32 INCH       |                    |              |
| 21  | 86007540 | 730146    | 1   | SKIRT, 32 INCH RIGHT            |                    |              |
| 22  | 86004710 | 47412     | -   | SHROUD ASM, 32" RIGHT SCRUBHEAD |                    | SERVICE ONLY |
| 23  | 86004720 | 47413     | -   | SHROUD ASM, 32" LEFT SCRUBHEAD  |                    | SERVICE ONLY |
| 24  | 86244100 | 500831    | 1   | LABEL, AQUA-MIZER               |                    |              |

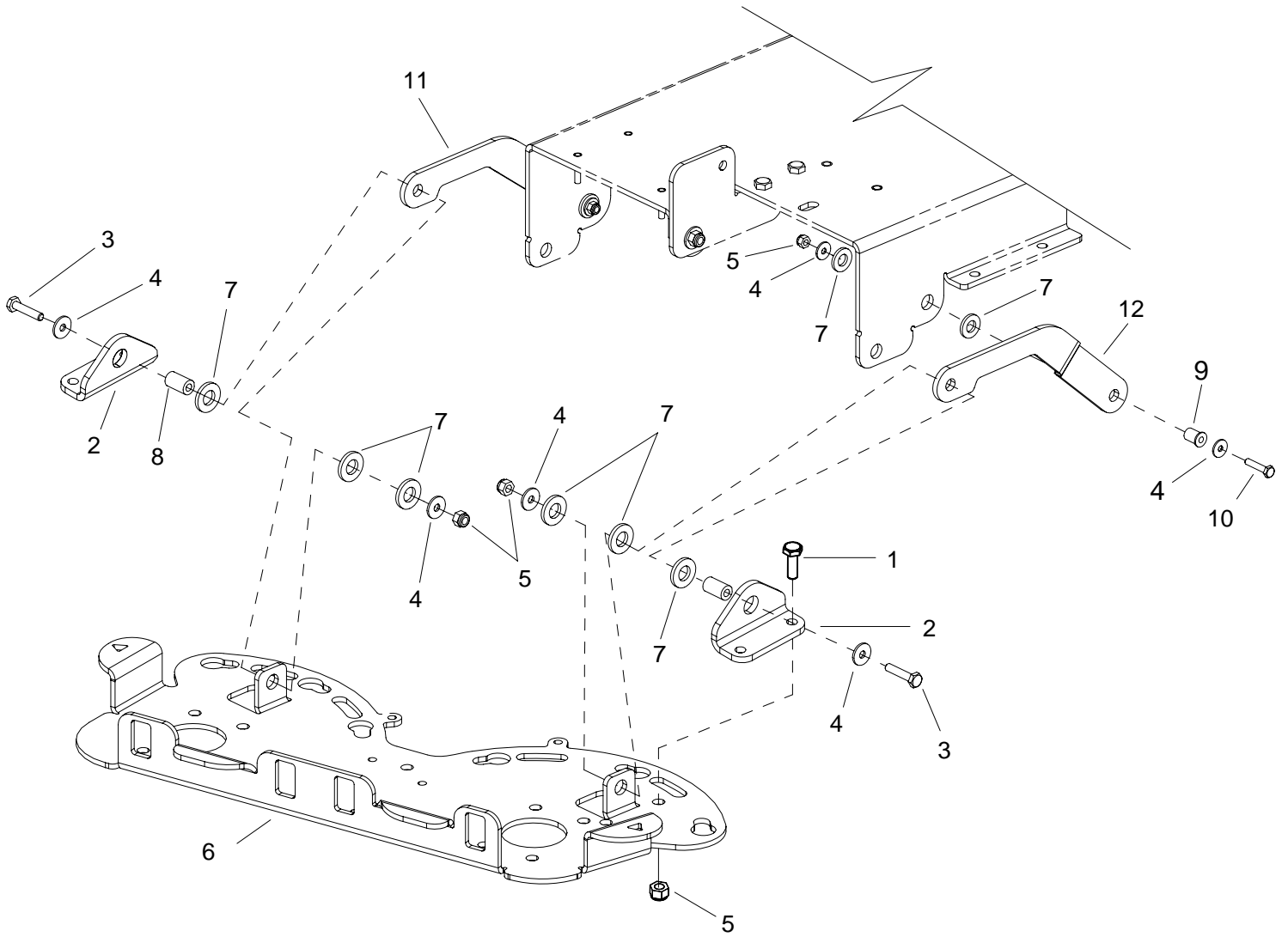
# SCRUB DECK LIFT LINKAGE-26IN SCRUBDECK



## **SCRUB DECK LIFT LINKAGE-26IN SCRUBDECK**

| REF | PART NO. | PRV. NO | QTY | DESCRIPTION                       | SERIAL NO.<br>FROM | NOTES: |
|-----|----------|---------|-----|-----------------------------------|--------------------|--------|
| 1   | 86273780 | 70015   | 6   | SCR, 1/4-20 X 3/4 HHCS SS NP      |                    |        |
| 2   | 86069910 | 140545  | 1   | BRACKET, ANGLE SUPPORT LEFT       |                    |        |
| 3   | 86273740 | 70010   | 2   | SCR, 1/4-20 X 1.5 HHCS SS         |                    |        |
| 4   | 86010630 | 87013   | 8   | WASHER, 1/4ID X 5/8OD SS          |                    |        |
| 5   | 86271870 | 57290   | 10  | NUT, 1/4-20 HEX NYLOCK THIN SS    |                    |        |
| 6   | 86069920 | 140546  | 1   | BRACKET, ANGLE SUPPORT RIGHT      |                    |        |
| 7   | 86259400 | 87205   | 10  | WASHER, THRUST .51ID X 1OD BRO    |                    |        |
| 8   | 86228920 | 09140   | 2   | BEARING, .252ID X .503OD X 1.0    |                    |        |
| 9   | 86228900 | 09138   | 2   | BEARING, FLANGED, .252ID X .503OD |                    |        |
| 10  | 86273820 | 70019   | 2   | SCR, 1/4-20 X 1.25 HHCS SS        |                    |        |
| 11  | 86066770 | 140492  | 1   | BAR LINK LEFT                     |                    |        |
| 12  | 86066720 | 140447  | 1   | BAR LINK, RIGHT                   |                    |        |
| 13  | 86236650 | 34388   | 1   | FRAME, W24V SCRUB DECK            |                    |        |

# SCRUB DECK LIFT LINKAGE-32IN SCRUBDECK

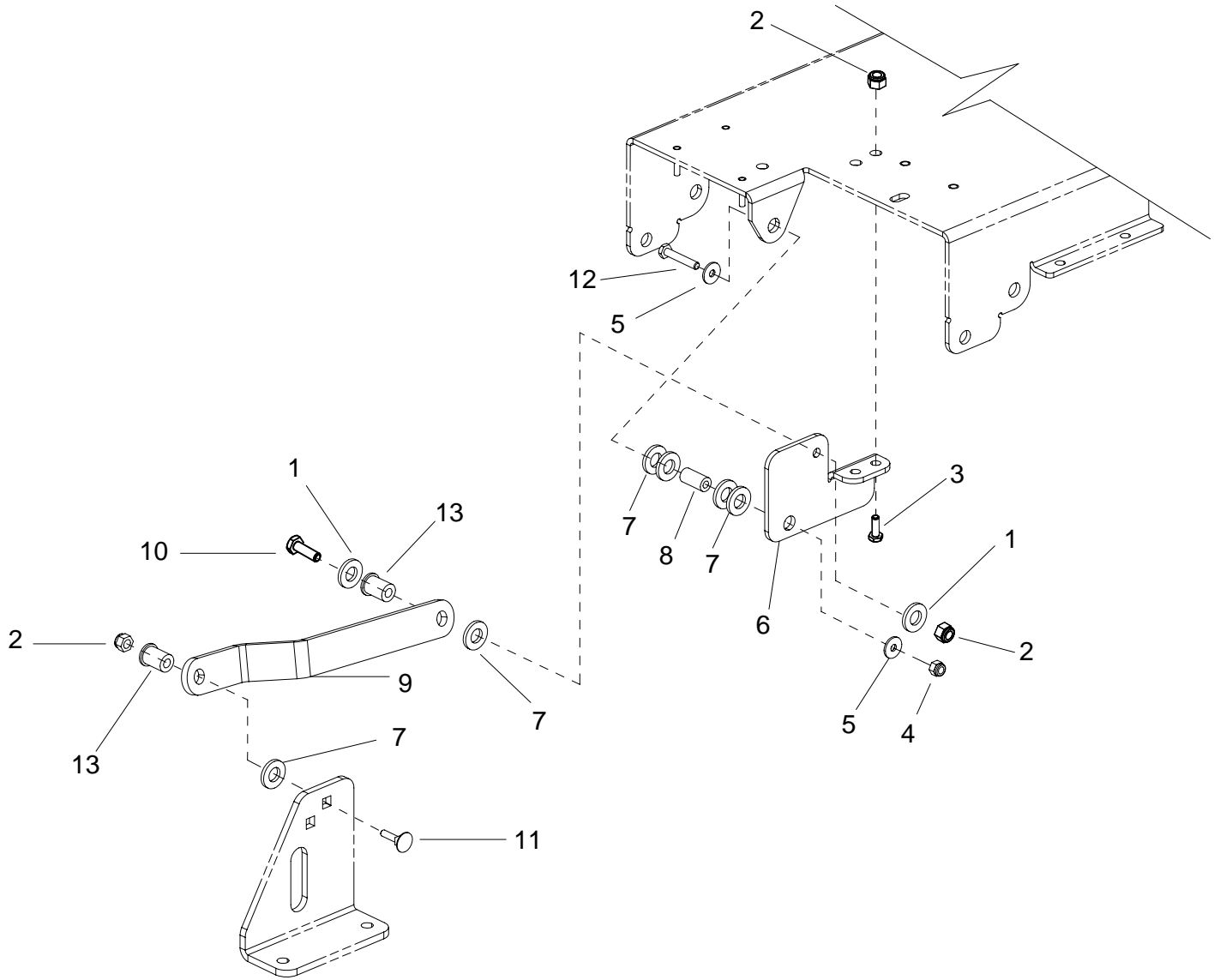


## **SCRUB DECK LIFT LINKAGE-32IN SCRUBDECK**

| REF | PART NO. | PRV NO. | QTY | DESCRIPTION                      | SERIAL NO.<br>FROM | NOTES: |
|-----|----------|---------|-----|----------------------------------|--------------------|--------|
| 1   | 86273780 | 70015   | 4   | SCR, 1/4-20 X 3/4 HHCS SS NP     |                    |        |
| 2   | 86070030 | 140561  | 2   | BRACKET, ANGLE SUPPORT           |                    |        |
| 3   | 86273740 | 70010   | 2   | SCR, 1/4-20 X 1.5 HHCS SS        |                    |        |
| 4   | 86010630 | 87013   | 8   | WASHER, 1/4ID X 5/8OD SS         |                    |        |
| 5   | 86271870 | 57290   | 8   | NUT, 1/4-20 HEX NYLOCK THIN SS   |                    |        |
| 6   | 86236670 | 34393   | 1   | FRAME 36V, SCRUB DECK            |                    |        |
| 7   | 86259400 | 87205   | 10  | WASHER, THRUST .51ID X 1OD BRO   |                    |        |
| 8   | 86228920 | 09140   | 2   | BEARING, .252ID X .503OD X 1.0   |                    |        |
| 9   | 86228900 | 09138   | 2   | BEARING FLANGED, .252ID X .503OD |                    |        |
| 10  | 86273820 | 70019   | 2   | SCR, 1/4-20 X 1.25 HHCS SS       |                    |        |
| 11  | 86066810 | 140513  | 1   | BAR, LINKAGE, LEFT               |                    |        |
| 12  | 86066870 | 140566  | 1   | BAR LINK, RIGHT                  |                    |        |



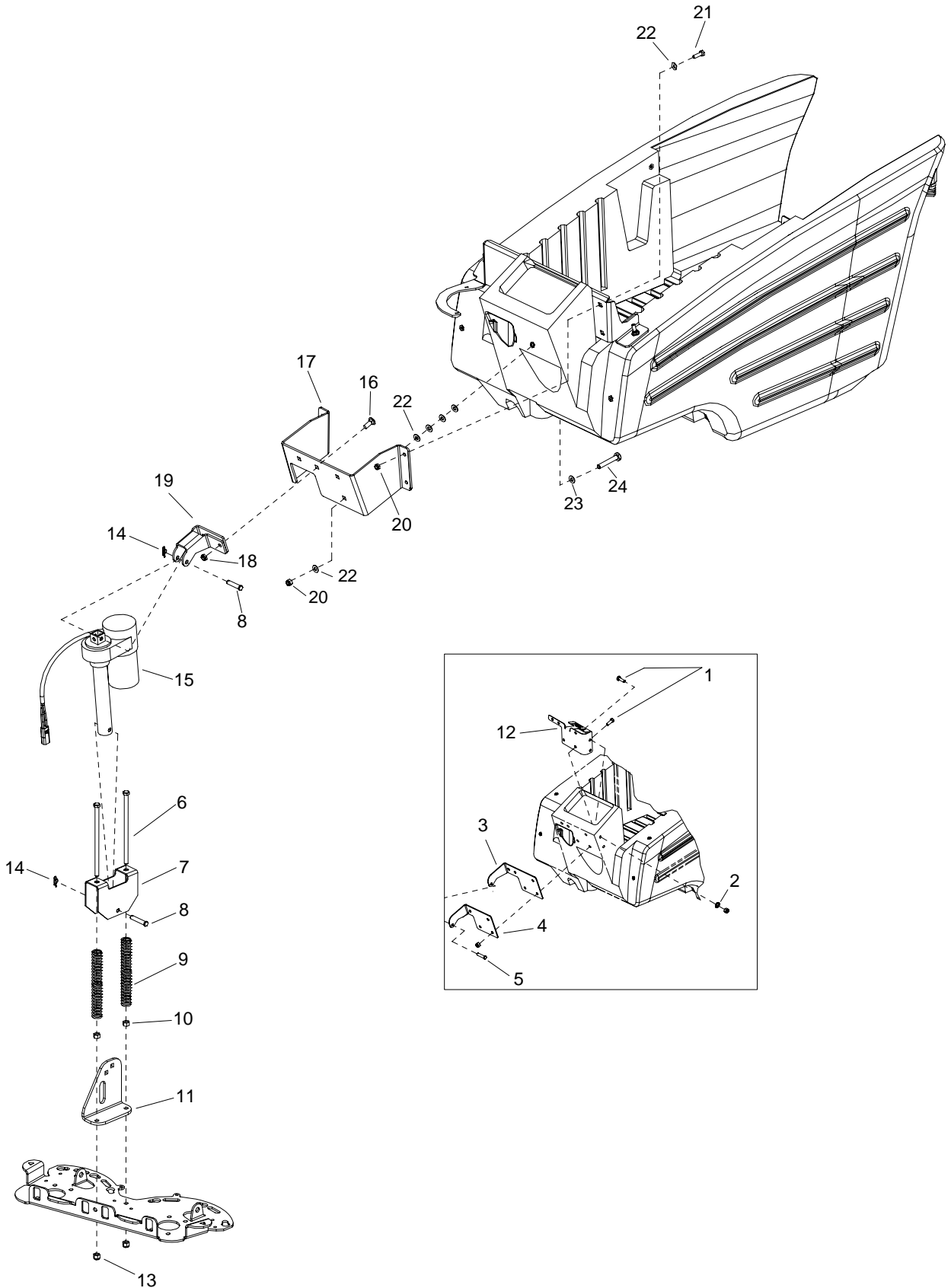
# SCRUB DECK LIFT



**SCRUB DECK LIFT**

| REF | PART NO. | PRV. NO | QTY | DESCRIPTION                      | SERIAL NO.<br>FROM | NOTES: |
|-----|----------|---------|-----|----------------------------------|--------------------|--------|
| 1   | 86010670 | 87029   | 2   | WASHER, 5/16 FLAT SS             |                    |        |
| 2   | 86271840 | 57285   | 4   | NUT, 5/16-18 HEX NYLOCK THIN SS  |                    |        |
| 3   | 86276780 | 70728   | 2   | SCR, 5/16-18 X 3/4 HHCS SS       |                    |        |
| 4   | 86271870 | 57290   | 3   | NUT, 1/4-20 HEX NYLOCK THIN SS   |                    |        |
| 5   | 86010630 | 87013   | 6   | WASHER, 1/4ID X 5/8OD SS         |                    |        |
| 6   | 86069750 | 140508  | 1   | BRACKET, FRAME MOUNT             |                    |        |
| 7   | 86259400 | 87205   | 10  | WASHER, THRUST .51ID X 1OD BRO   |                    |        |
| 8   | 86228920 | 09140   | 1   | BEARING, .252ID X .503OD X 1.0   |                    |        |
| 9   | 86069760 | 140509  | 1   | BRACKET, CENTER LINK             |                    |        |
| 10  | 86007020 | 70673   | 1   | SCR, 5/16-18 X 1.25 HHCS SS      |                    |        |
| 11  | 86197150 | 70669   | 1   | SCR, 5/16 X 1.25 ELEV FLDG SA    |                    |        |
| 12  | 86273740 | 70010   | 1   | SCR, 1/4-20 X 1.5 HHCS SS        |                    |        |
| 13  | 86228840 | 09124   | 2   | BEARING, FLANGED .314ID X .502OD |                    |        |

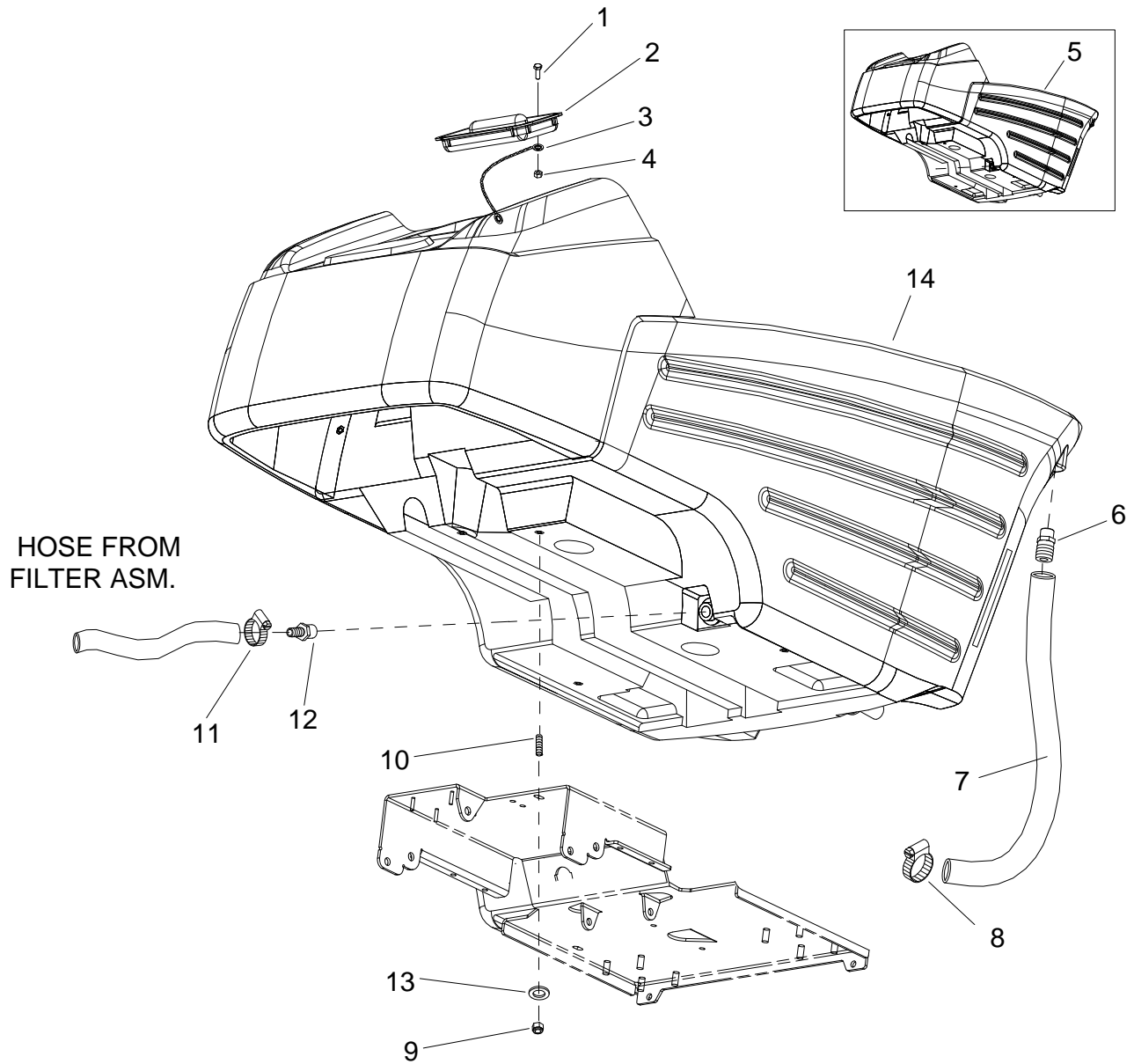
# SCRUB DECK LIFT



## SCRUB DECK LIFT

| REF | PART NO. | PRV NO. | QTY | DESCRIPTION                    | SERIAL NO.<br>FROM | NOTES:    |
|-----|----------|---------|-----|--------------------------------|--------------------|-----------|
| 1   | 86276920 | 70755   | 7   | SCR, 3/8-16 X 1HHCS SS NP      |                    |           |
| 2   | 86279590 | 87185   | 2   | WASHER, 3/8 SEALING X 3/4 OD   |                    | WAS 87003 |
| 3   | 86069590 | 140479  | 1   | BRACKET, ACTUATOR MOUNT BACK   |                    |           |
| 4   | 86069600 | 140480  | 1   | BRACKET, ACTUATOR MOUNT FRONT  |                    |           |
| 5   | 86272410 | 66233   | 1   | PIN, CLEVIS 3/8" X 1.63" PLTD  |                    |           |
| 6   | 86277010 | 70778   | 2   | SCR, 3/8-16 X 7 HHCS SS        |                    |           |
| 7   | 86068130 | 140456  | 1   | BRACKET, ACTUATOR TUBE         |                    |           |
| 8   | 86248970 | 81406   | 1   | PIN, CLEVIS 3/8 X 2 PLTD       |                    |           |
| 9   | 86254910 | 730134  | 2   | SPRING, COMP .89OD X 6.13L     |                    |           |
| 10  | 86005730 | 57111   | 2   | NUT, 3/8-16 HEX                |                    |           |
| 11  | 86069770 | 140510  | 1   | BRACKET, DECK MOUNT            |                    |           |
| 12  | 86069930 | 140547  | 1   | BRKT, SOLUTION FILL            |                    |           |
| 13  | 86005630 | 57022   | 7   | NUT, 3/8-16 HEX NYLOCK THIN SS |                    |           |
| 14  | 86008670 | 80606   | 2   | COTTER, 3/8" RING              |                    |           |
| 15  | 86011960 | -       | 1   | ACTUATOR, 24VDC 5.0 STRK       |                    |           |
| 16  | 86277280 | 70822   | 2   | SCR, 3/8-16 X 1.00 CARRIAGE SS | *                  |           |
| 17  | 86068160 | 140707  | 1   | BRACKET, TANK BRACE            | *                  |           |
| 18  | 86005630 | 57022   | 2   | NUT, 3/8-16 HEX NYLOCK THIN SS | *                  |           |
| 19  | 86068170 | 140708  | 1   | BRACKET, ACTUATOR MOUNT        | *                  |           |
| 20  | 86271840 | 57285   | 5   | 5/16-18 HEX NYLOCK THIN SS     | *                  |           |
| 21  | 86006560 | 70083   | 4   | SCR, 5/16-18 X 1 HHCS SS NP    | *                  |           |
| 22  | 86010670 | 87029   | 9   | WASHER, 5/16 FLAT SS           | *                  |           |
| 23  | 86279650 | 87222   | 1   | WASHER, SEAL 5/16 X 3/4 OD SS  | 1000141108         |           |
| 24  | 86274720 | 70264   | 1   | SCR, 5/16-18 X 1.50 HHCS SS    | 1000141108         |           |

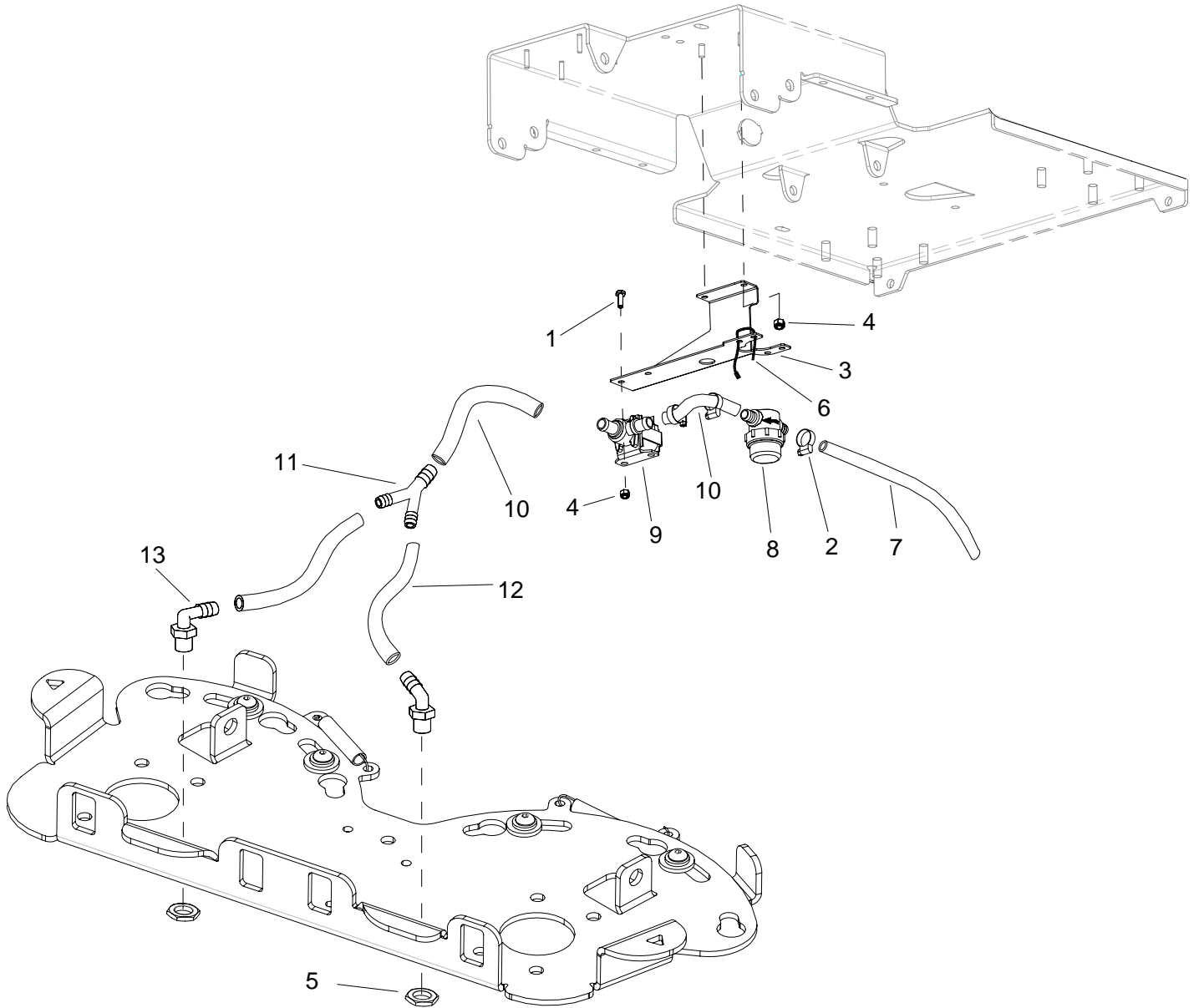
# SOLUTION



**SOLUTION**

| REF | PART NO. | PRV. NO | QTY | DESCRIPTION                         | SERIAL NO.<br>FROM | NOTES:          |
|-----|----------|---------|-----|-------------------------------------|--------------------|-----------------|
| 1   | 86273950 | 70056   | 1   | SCR, 6-32 X 1/2 PPHMS SS            |                    |                 |
| 2   | 86234790 | 27827   | 1   | COVER CLP SOLUTION                  |                    |                 |
| 3   | 86246080 | 51368   | 1   | LANYARD, 18.0 W/ LOOP & EYE         |                    |                 |
| 4   | 86014810 | -       | 1   | NUT, 6-32 ACORN SS                  |                    |                 |
| 5   | 86008270 | 75370   | 1   | TANK, SOLUTION 24V, BLU             |                    |                 |
| 6   | 86240460 | 40089   | 1   | HOSEBARB, 1/2 MPT X 1.0 HOSE        |                    |                 |
| 7   | 86282050 | 39562   | 1   | HOSE, 1.0ID 1/8W X .12W CLR X 24.5" |                    |                 |
| 8   | 86233110 | 20018   | 1   | CLAMP, 1.0" WORM GEAR               |                    |                 |
| 9   | 86271840 | 57285   | 4   | NUT, 5/16-18 HEX NYLOCK THIN SS     |                    |                 |
| 10  | 86276380 | 70639   | 4   | SCR, 5/16-18 X 1.25 SSSCU           |                    |                 |
| 11  | 86233150 | 20042   | 1   | CLAMP, 3/8 HOSE (D-SLOT)            |                    |                 |
| 12  | 86197910 | 40022   | 1   | HOSEBARB, 1/2 MPT X 1/2 POLY DL     |                    |                 |
| 13  | 86010670 | 87029   | 4   | WASHER, 5/19 FLAT SS                |                    |                 |
| 14  | 86032890 | 75460   | 1   | TANK, SOLUTION 24V                  | 1000141108         | SCEX264/SCEX324 |

# SOLUTION

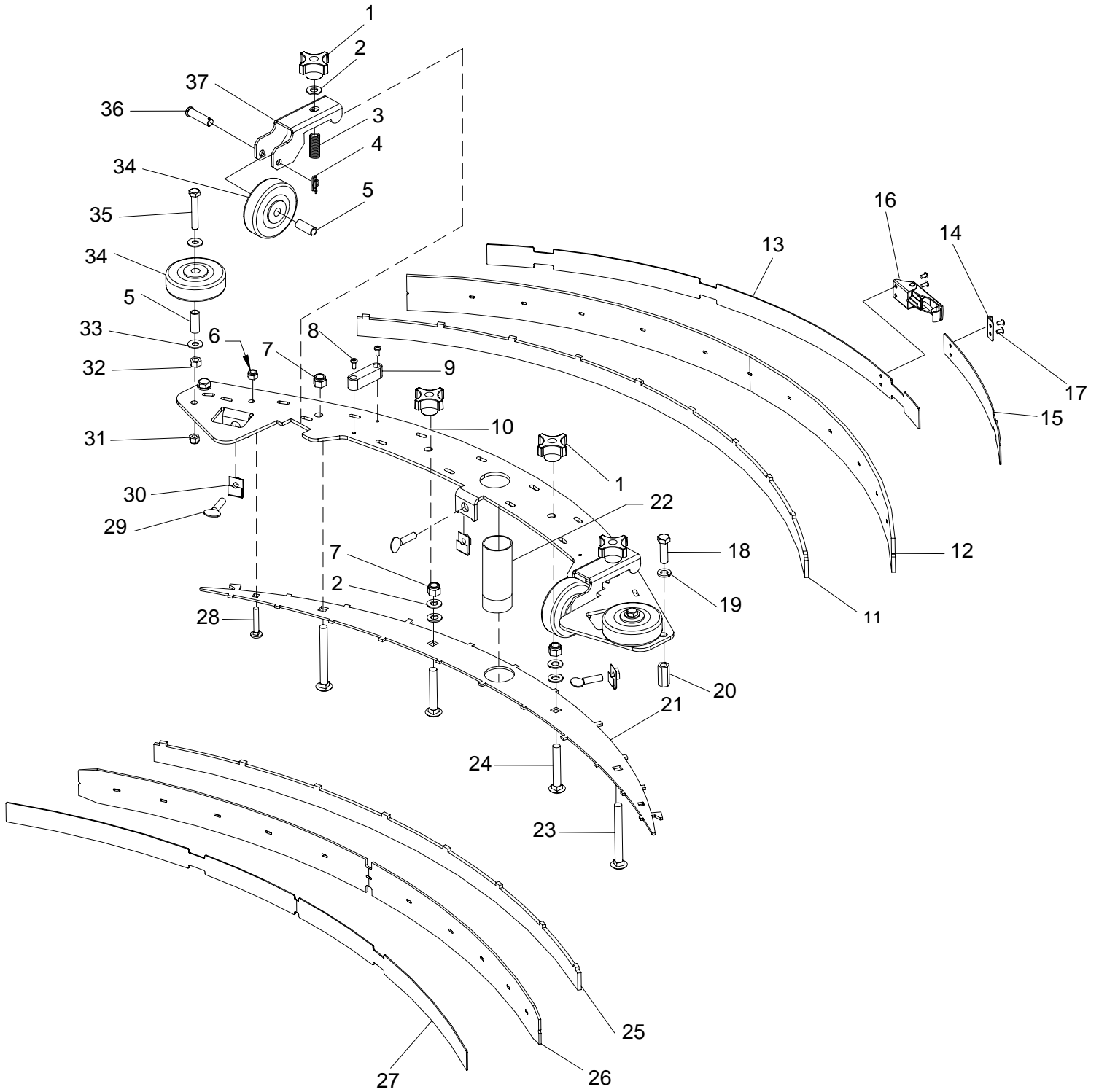


**SOLUTION**

| REF | PART NO. | PRV NO. | QTY | DESCRIPTION                       | SERIAL NO.<br>FROM | NOTES:       |
|-----|----------|---------|-----|-----------------------------------|--------------------|--------------|
| 1   | 86273750 | 70011   | 2   | SCR, 1/4-20 X 5/8 HHCS SS NP      |                    |              |
| 2   | 86233150 | 20042   | 3   | CLAMP, 3/8 HOSE (D-SLOT)          |                    |              |
| 3   | 86069790 | 140518  | 1   | BRACKET, FILTER/SOLUTION MOUNT    |                    |              |
| 4   | 86271870 | 57290   | 4   | NUT, 1/4-20 HEX NYLOCK THIN SS    |                    |              |
| 5   | 86271830 | 57283   | 2   | NUT, 3/8 NPT PLASTIC              |                    |              |
| 6   | 86264940 | 27051   | 4   | CABLE TIE, 11.38" UL/CSA          |                    |              |
| 7   | 86282190 | 39616   | 1   | HOSE, 1/2" WIRE BOUND X 13"       |                    |              |
| 8   | 86007560 | 730161  | 1   | STRAINER, 1/2 HOSE 20 MESH        |                    |              |
| -   | 86005870 | 59021   | 1   | O-RING, FILTER SEAL RON-VIK       |                    |              |
| -   | 86007750 | 73405   | 1   | SCREEN, 20 MESH STRAINER          |                    |              |
| -   | 86002860 | 27372   | 1   | CAP, STRAINER 26/32               |                    |              |
| 9   | 86010540 | 84141   | 1   | VALVE, 24VDC SOL 1/2" HOSEBARB    |                    |              |
| -   | 86003460 | 29260   | -   | DIAPHRAGM SRVC PART SLND          |                    | SERVICE ONLY |
| -   | 86136820 | 47395   | -   | SOLENOID SPRING KIT               |                    | SERVICE ONLY |
| 10  | 86281100 | 39274   | 2   | HOSE, 1/2 WIRE BOUND X 7"         |                    |              |
| 11  | 86003580 | 34327   | 1   | FITTING, 1/2" X 3/8" x 3/8" RED T |                    |              |
| 12  | 86280820 | 39035   | 2   | HOSE, 3/8 NYLOBRD X 10"           |                    |              |
| 13  | 86001550 | 40043   | 2   | HOSEBARB, 3/8 MPT X 3/8 90 D      |                    |              |



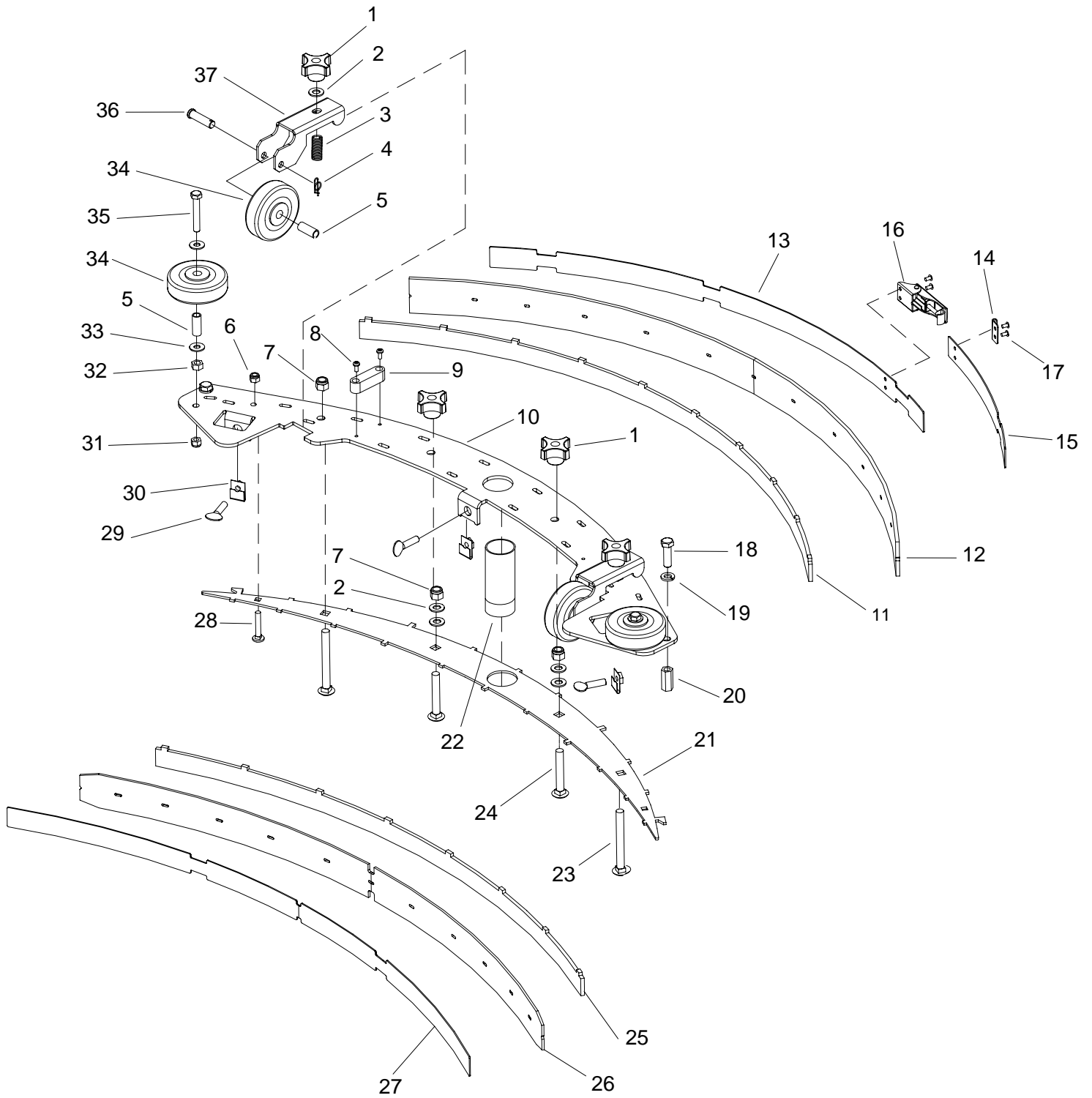
# SQUEEGEE-26IN SCRUBHEAD



## SQUEEGEE-26IN SCRUBHEAD

| REF | PART NO. | PRV NO. | QTY | DESCRIPTION                       | SERIAL NO. FROM | NOTES:      |
|-----|----------|---------|-----|-----------------------------------|-----------------|-------------|
| 1   | 86009200 | 81535   | 4   | KNOB, 3/8-16 4 PRONG ALUM         |                 |             |
| 2   | 86010680 | 87030   | 4   | WASHER, 3/8ID X 3/4OD NYLON       |                 |             |
| 3   | 86007780 | 73576   | 2   | SPRING, COMP .60D X 2.0L X .045W  |                 |             |
| 4   | 86008660 | 80605   | 2   | COTTER, 5/16 RING                 |                 |             |
| 5   | 86001350 | 140390  | 4   | BUSHING, SPANNER .435 X 1.10      |                 |             |
| 6   | 86271870 | 57290   | 2   | NUT, 1/4-20 HEX NYLOCK THIN SS    |                 |             |
| 7   | 86005630 | 57022   | 4   | NUT, 3/8-16 HEX NYLOCK THIN SS    |                 |             |
| 8   | 86274130 | 70098   | 2   | SCR, 8-32 X 3/8 PHTC 'F' PLTD     |                 |             |
| 9   | 86009910 | 82576   | 1   | VIAL, LEVEL                       |                 |             |
| 10  | 86082420 | 62970   | 1   | PLATE, SQUEEGEE TOP 35"           |                 |             |
| 11  | 86082440 | 62972   | 1   | PLATE, REAR SQUEEGEE 35"          |                 |             |
| 12A | 86007430 | 730114  | 1   | SQUEEGEE, REAR BLADE LINATEX      |                 |             |
| 12B | 86137020 | 730423  | 1   | SQUEEGEE, REAR BLADE URETHANE     |                 |             |
| 13  | 86001340 | 140384  | 1   | BAND, REAR SQUEEGEE               |                 |             |
| 14  | 86009180 | 81489   | 1   | STRIKER, SQUEEGEE STRAP REAR      |                 |             |
| 15  | 86001330 | 140382  | 1   | BAND, REAR SQUEEGEE               |                 |             |
| 16  | 86009170 | 81488   | 1   | LATCH, SQUEEGEE STRAP             |                 |             |
| 17  | 86006400 | 67380   | 4   | RIVET, 5/32OD X 1/8 GRIP          |                 |             |
| 18  | 86276920 | 70755   | 2   | SCR, 3/8-16 X 1 HHCS SS NP        |                 |             |
| 19  | 86010790 | 87163   | 2   | WASHER, 3/8 SPLIT LOCK PLTD       |                 |             |
| 20  | 86005840 | 57269   | 2   | NUT, 3/8-16 HEX COUPLING SS       |                 |             |
| 21  | 86082450 | 62973   | 1   | PLATE, SQUEEGEE BOTTOM 35"        |                 |             |
| 22  | 86008390 | 78493   | 1   | TUBE ASM, SQUEEGEE VAC            |                 |             |
| 23  | 86276990 | 70776   | 2   | SCR, 3/8-16 X 3.5 CARRIAGE SS     |                 |             |
| 24  | 86276870 | 70748   | 2   | SCR, 3/8-16 X 2.5 CARRIAGE SS     |                 |             |
| 25  | 86082430 | 62971   | 1   | PLATE, SQUEEGEE FRONT 35"         |                 |             |
| 26A | 86008020 | 73894   | 1   | BLADE, SQUEEGEE FRONT LINATEX 35" |                 |             |
| 26B | 86137030 | 730424  | 1   | SQUEEGEE, FRONT BLADE URETHANE    |                 |             |
| 27  | 86066370 | 140383  | 1   | BAND, SQUEEGEE FRONT              |                 |             |
| 28  | 86277000 | 70777   | 2   | SCR, 1/4-20 X 1.5 CARRIAGE SS     |                 |             |
| 29  | 86007040 | 70680   | 3   | SCR, 5/16-18 X 1 THUMB SS TYPE P  |                 |             |
| 30  | 86271820 | 57270   | 3   | NUT, 5/16-18 CAPTIVE "J" PLTD     |                 |             |
| 31  | 86271840 | 57285   | 2   | NUT, 5/16-18 HEX NYLOCK THIN SS   |                 |             |
| 32  | 86005650 | 57031   | 2   | NUT, 5/16-18 HEX                  |                 |             |
| 33  | 86010670 | 87029   | 4   | WASHER, 5/16 SS                   |                 |             |
| 34  | 86011020 | 89202   | 4   | WHEEL, 3" DIA. CUSHION RUBBER     |                 |             |
| 35  | 86276980 | 70775   | 2   | SCR, 5/16-18 X 2.00 HHCS SS       |                 |             |
| 36  | 86006270 | 66276   | 2   | PIN, CLEVIS 5/16 X 1.63 PLTD      |                 |             |
| 37  | 86069870 | 140531  | 2   | BRACKET, SQUEEGEE WHEEL           |                 |             |
| 38  | 86026530 | 47398   | -   | SQUEEGEE ASM 26 IN SCRUBHEAD      |                 | SERVICE ASM |

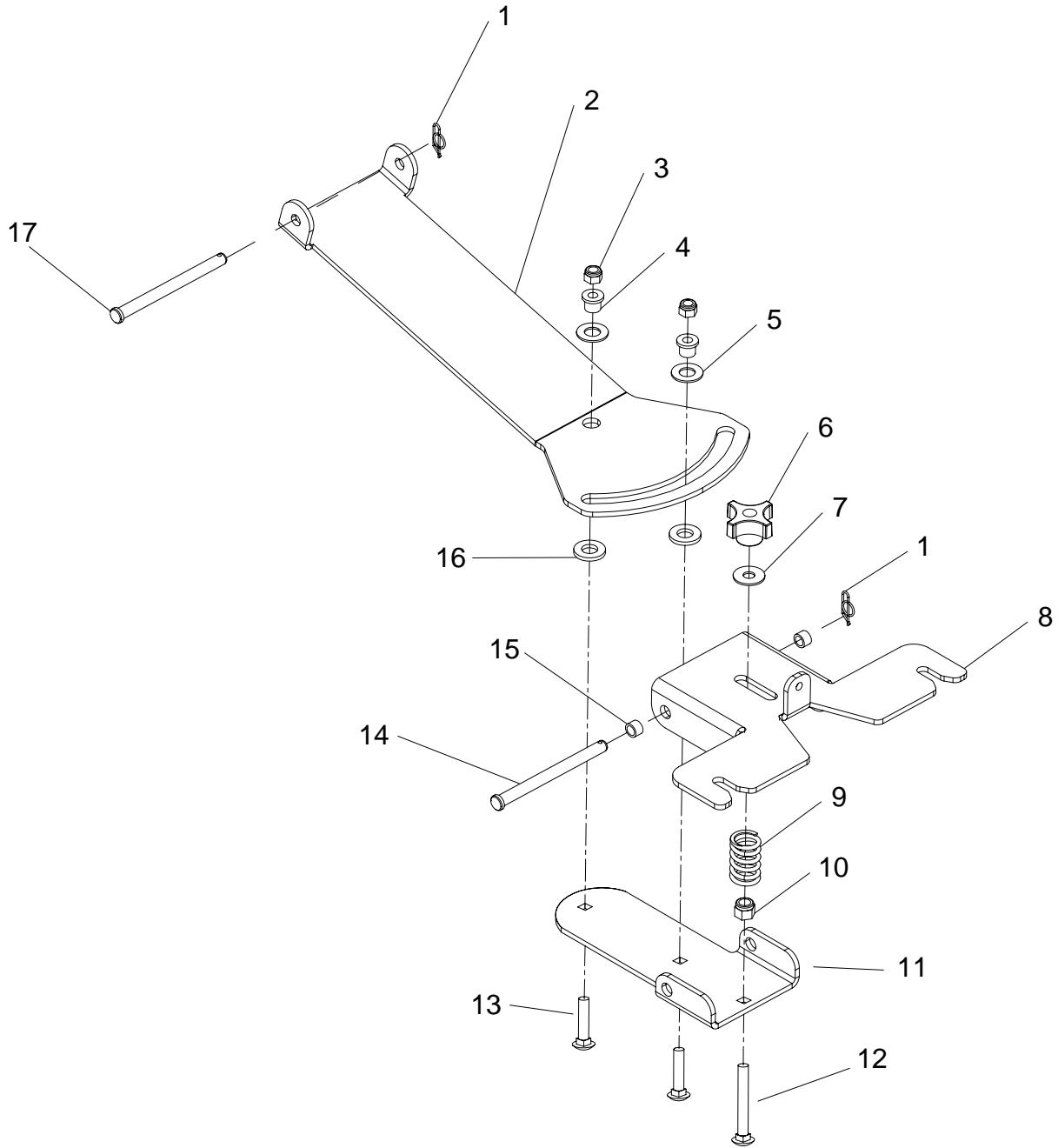
# SQUEEGEE-32IN SCRUBHEAD



## SQUEEGEE-32IN SCRUBHEAD

| REF | PART NO. | PRV NO. | QTY | DESCRIPTION                      | SERIAL NO. FROM | NOTES:      |
|-----|----------|---------|-----|----------------------------------|-----------------|-------------|
| 1   | 86009200 | 81535   | 4   | KNOB, 3/8-16 4 PRONG ALUM        |                 |             |
| 2   | 86010680 | 87030   | 6   | WASHER, 3/8ID X 3/4OD NYLON      |                 |             |
| 3   | 86007780 | 73576   | 2   | SPRING, COMP .60D X 2.0L X .045W |                 |             |
| 4   | 86008660 | 80605   | 2   | COTTER, 5/16" RING               |                 |             |
| 5   | 86001350 | 140390  | 4   | BUSHING, SPANNER .435 X 1.10     |                 |             |
| 6   | 86271870 | 57290   | 2   | NUT, 1/4-20 HEX NYLOCK THIN SS   |                 |             |
| 7   | 86005630 | 57022   | 4   | NUT, 3/8-16 HEX NYLOCK THIN SS   |                 |             |
| 8   | 86274130 | 70098   | 2   | SCR, 8-32 X 3/8 PHTC 'F' PLTD    |                 |             |
| 9   | 86009910 | 82576   | 1   | VIAL, LEVEL                      |                 |             |
| 10  | 86082460 | 62974   | 1   | PLATE, SQUEEGEE TOP 40"          |                 |             |
| 11  | 86082480 | 62976   | 1   | PLATE, SQG REAR 40"              |                 |             |
| 12A | 86007490 | 730133  | 1   | SQUEEGEE, REAR BLADE LINATEX     |                 |             |
| 12B | 86137040 | 730425  | 1   | SQUEEGEE, REAR BLADE URETHANE    |                 |             |
| 13  | 86066360 | 140381  | 1   | BAND, REAR SQUEEGEE              |                 |             |
| 14  | 86009180 | 81489   | 1   | STRIKER, SQUEEGEE STRAP REAR     |                 |             |
| 15  | 86001330 | 140382  | 1   | BAND, REAR SQUEEGEE              |                 |             |
| 16  | 86009170 | 81488   | 1   | LATCH, SQUEEGEE STRAP            |                 |             |
| 17  | 86006400 | 67380   | 4   | RIVET, 5/32OD X 1/8 GRIP         |                 |             |
| 18  | 86276920 | 70755   | 2   | SCR, 3/8-16 X 1 HHCS SS NP       |                 |             |
| 19  | 86010790 | 87163   | 2   | WASHER, 3/8 SPLIT LOCK PLTD      |                 |             |
| 20  | 86005840 | 57269   | 2   | NUT, 3/8-16 HEX COUPLING SS      |                 |             |
| 21  | 86082490 | 62977   | 1   | PLATE, SQUEEGEE BOTTOM 40"       |                 |             |
| 22  | 86008390 | 78493   | 1   | TUBE ASM, SQUEEGEE VAC           |                 |             |
| 23  | 86276990 | 70776   | 2   | SCR, 3/8-16 X 3.5 CARRIAGE SS    |                 |             |
| 24  | 86276870 | 70748   | 2   | SCR, 3/8-16 X 2.5 CARRIAGE SS    |                 |             |
| 25  | 86082470 | 62975   | 1   | PLATE, SQUEEGEE FRONT 40" SPACER |                 |             |
| 26A | 86009830 | 82528   | 1   | BLADE, SQUEEGEE FRONT LINATEX    |                 |             |
| 26B | 86137050 | 730426  | 1   | SQUEEGEE, FRONT BLADE URETHANE   |                 |             |
| 27  | 86066350 | 140380  | 1   | STRAP, SQUEEGEE FRONT            |                 |             |
| 28  | 86277000 | 70777   | 2   | SCR, 1/4-20 X 1.5 CARRIAGE SS    |                 |             |
| 29  | 86007040 | 70680   | 3   | SCR, 5/16-18 X 1 THUMB SS TYPE P |                 |             |
| 30  | 86271820 | 57270   | 3   | NUT, 5/16-18 CAPTIVE "J" PLTD    |                 |             |
| 31  | 86271840 | 57285   | 2   | NUT, 5/16-18 HEX NYLOCK THIN SS  |                 |             |
| 32  | 86005650 | 57031   | 2   | NUT, 5/16-18 HEX                 |                 |             |
| 33  | 86010670 | 87029   | 4   | WASHER, 5/16 FLAT SS             |                 |             |
| 34  | 86011020 | 89202   | 4   | WHEEL, 3" DIA. CUSHION RUBBER    |                 |             |
| 35  | 86276980 | 70775   | 2   | SCR, 5/16-18 X 2.00 HHCS SS      |                 |             |
| 36  | 86006270 | 66276   | 2   | PIN, CLEVIS 5/16 X 1.63 PLTD     |                 |             |
| 37  | 86069870 | 140531  | 2   | BRACKET, SQUEEGEE WHEEL          |                 |             |
| 38  | 86026540 | 47399   | -   | SQUEEGEE ASM 32" SCRUBHEAD       |                 | SERVICE ASM |

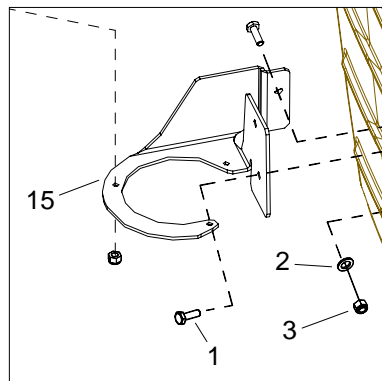
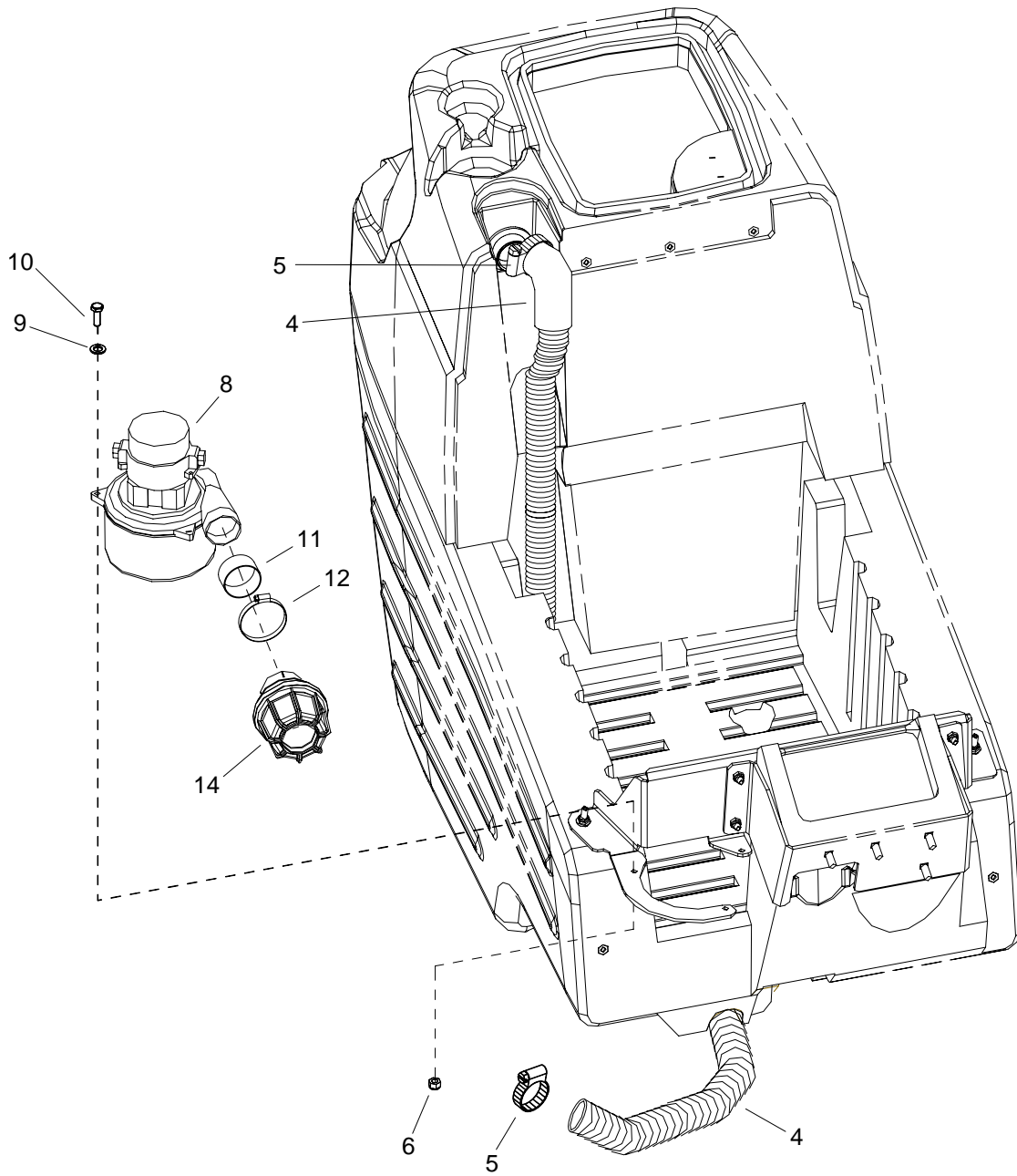
# SQUEEGEE LIFT LINKAGE (LOWER)



## SQUEEGEE LIFT LINKAGE (LOWER)

| REF | PART NO. | PRV NO. | QTY | DESCRIPTION                        | SERIAL NO.<br>FROM | NOTES: |
|-----|----------|---------|-----|------------------------------------|--------------------|--------|
| 1   | 86008670 | 80606   | 2   | COTTER, 3/8" RING                  |                    |        |
| 2   | 86069450 | 140455  | 1   | BRACKET, SQG PIVOT LIFT            |                    |        |
| 3   | 86271840 | 57285   | 2   | NUT, 5/16-18 HEX NYLOCK THIN SS    |                    |        |
| 4   | 86228840 | 09124   | 2   | BEARING, FLANGED .314ID X .502OD   |                    |        |
| 5   | 86259420 | 87232   | 2   | WASHER, THRUST .51ID X 1ODBRO      |                    |        |
| 6   | 86009200 | 81535   | 1   | KNOB, 3/8-16 4 PRONG ALUM          |                    |        |
| 7   | 86279510 | 87171   | 1   | WASHER, 3/8 FLAT                   |                    |        |
| 8   | 86082150 | 62922   | 1   | PLATE, SQUEEGEE MOUNT              |                    |        |
| 9   | 86007270 | 730006  | 1   | SPRING, COMP 1.10OD X 2.0L X .148W |                    |        |
| 10  | 86005630 | 57022   | 1   | NUT, 3/8-16 HEX NYLOCK THIN SS     |                    |        |
| 11  | 86072530 | 14409   | 1   | BRACKET, CAMBER PIVOT              |                    |        |
| 12  | 86276870 | 70748   | 1   | SCR, 3/8-16 X 2.50 CARRIAGE SS     |                    |        |
| 13  | 86277130 | 70795   | 2   | SCR, 5-16-18 X 1.00 CARRIAGE SS    |                    |        |
| 14  | 86249060 | 82061   | 1   | PIN, CLEVIS 3/8 X 4.63 PLTD        |                    |        |
| 15  | 86008870 | 80815   | 2   | BEARING, FLANGED 3/8" ID X 11/16"  |                    |        |
| 16  | 86259400 | 87205   | 2   | WASHER, THRUST .51ID X 1OD BRO     |                    |        |
| 17  | 86008860 | 80808   | 1   | PIN, CLEVIS 3/8" X 5.5" PLTD       |                    |        |

# VACUUM

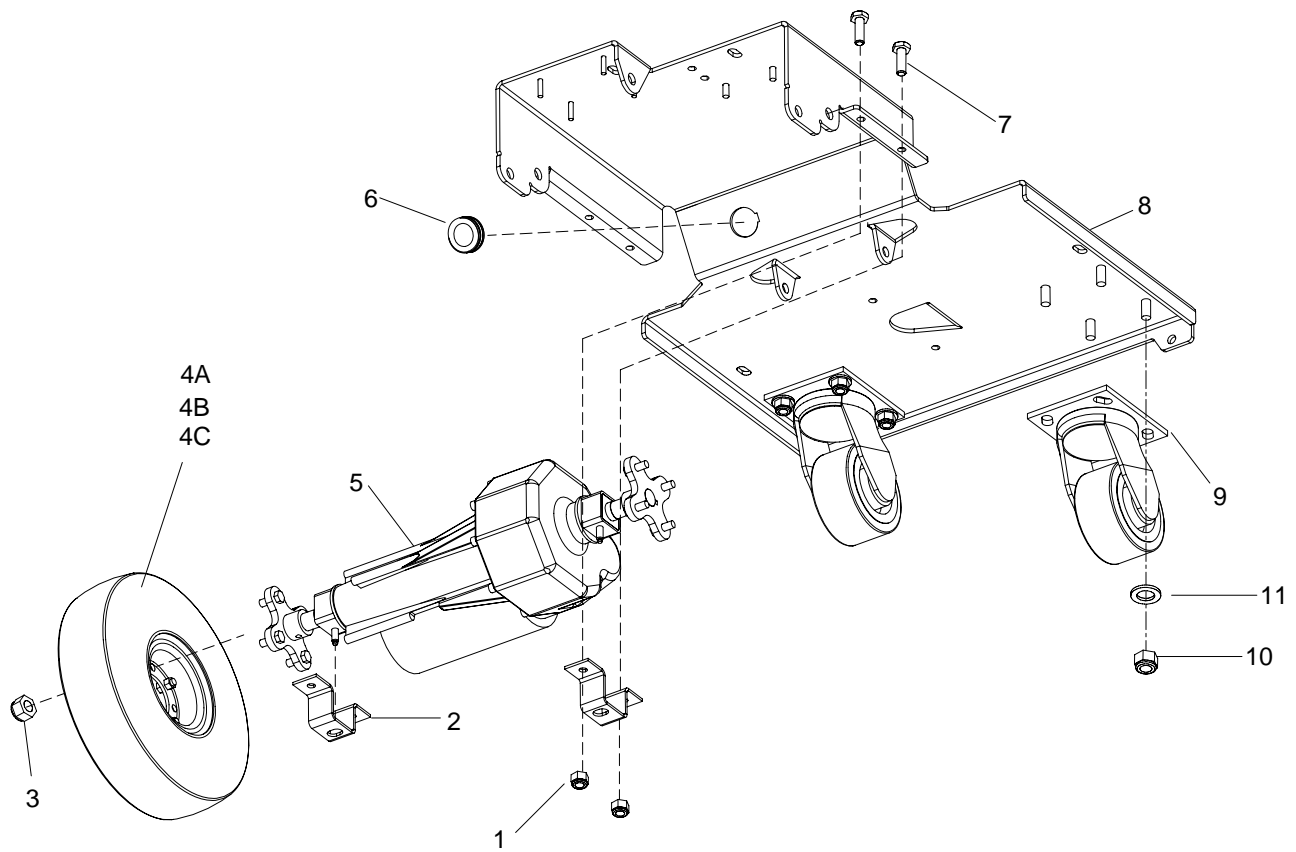


**VACUUM**

| REF | PART NO. | PRV NO. | QTY | DESCRIPTION                    | SERIAL NO.<br>FROM | NOTES:  |
|-----|----------|---------|-----|--------------------------------|--------------------|---|
| 1   | 86276920 | 70755   | 3   | SCR, 3/8-16 X 1 HHCS SS NP     |                    |   |
| 2   | 86278910 | 87003   | 3   | WASHER, 3/8ID X 7/8OD SS       |                    |   |
| 3   | 86005630 | 57022   | 3   | NUT, 3/8-16 HEX NYLOCK THIN SS |                    |   |
| 4   | 86001620 | 40087   | 1   | HOSE ASM, 1.5 BLK VAC X 67     |                    |   |
| 5   | 86002400 | 20064   | 2   | CLAMP, 2.0" WORM GEAR X .312W  |                    |   |
| 6   | 86271870 | 57290   | 3   | NUT, 1/4-20 HEX NYLOCK THIN SS |                    |   |
| 7   | -        | OPEN    | -   |                                |                    |   |
| 8   | 86005460 | 53801   | 1   | VAC MOTOR ASM, 24VDC 3 STAGE   |                    |   |
| -   | 86230810 | 140551  | -   | BRUSH SET, 24V 3ST VAC AMETEK  |                    | SERVICE ONLY  |
| -   | 86135310 | 140686  | -   | BRUSH SET, 24V/36V VAC WINDSOR | 1000122411         | SERVICE ONLY  |
| 9   | 86010630 | 87013   | 3   | WASHER, 1/4ID X 5/8OD SS       |                    |   |
| 10  | 86273810 | 70018   | 3   | SCR, 1/4-20 X 1 HHCS SS        |                    |   |
| 11  | 86091170 | 730174  | 1   | TUBE, 2.0 OD X .05W X 1.0L     |                    |   |
| 12  | 86233430 | 81431   | 1   | CLAMP, 2.50 WORM GEAR          |                    |   |
| 13  | -        | OPEN    | -   |                                |                    |   |
| 14  | 86064910 | 54194   | 1   | MUFFLER, VAC MOTOR             | 1000122451         |   |
| 15  | 86070630 | 140704  | 1   | BRACKET, VAC MOUNT 24V         | 1000122451         | SEE COVER & TANK<br>MOUNT PAGE FOR<br>TANK SUPPORT BRKT |



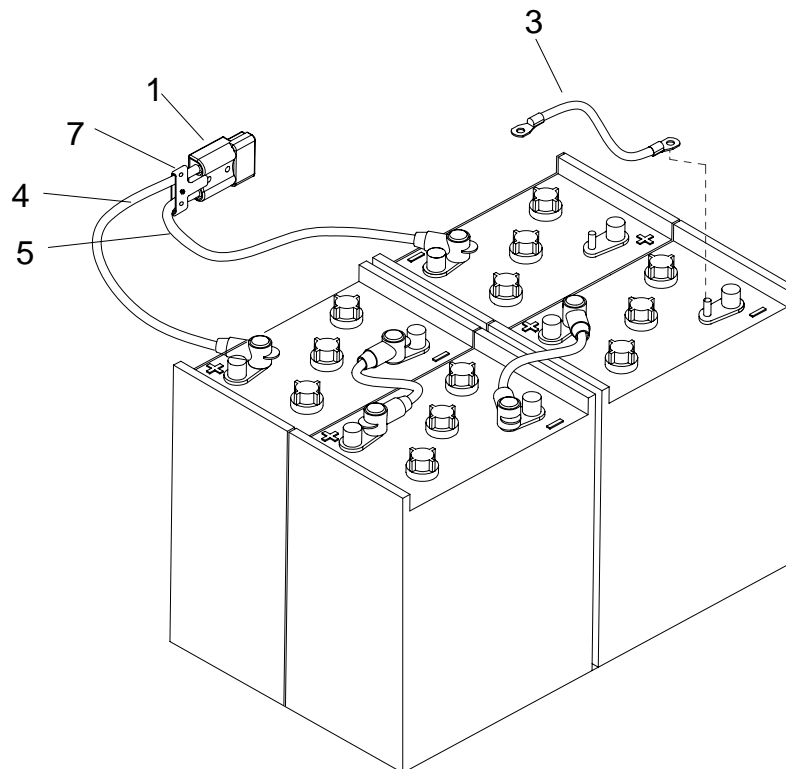
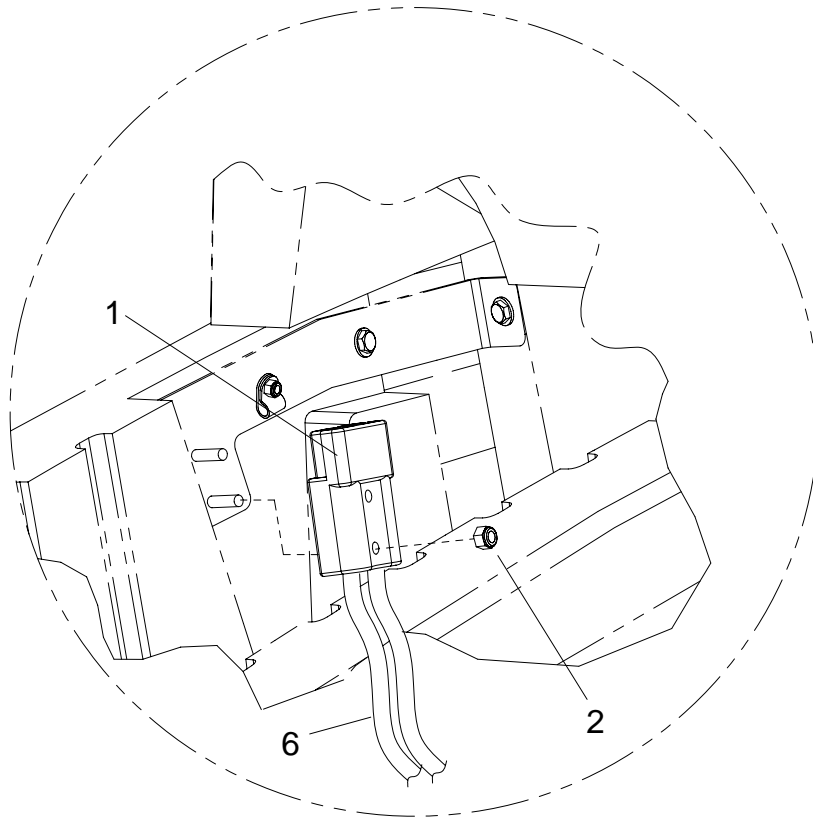
# WHEELS AND FRAME



## WHEELS AND FRAME

| REF | PART NO. | PRV NO. | QTY | DESCRIPTION                     | SERIAL NO.<br>FROM | NOTES:       |
|-----|----------|---------|-----|---------------------------------|--------------------|--------------|
| 1   | 86271840 | 57285   | 4   | NUT, 5/16-18 HEX NYLOCK THIN SS |                    |              |
| 2   | 86230330 | 14369   | 2   | BRACKET, TRANSAXLE MOUNT        |                    |              |
| 3   | 86271860 | 57289   | 8   | NUT, 5/16-24 HEX NYLOCK SS      |                    |              |
| 4A  | 86011050 | 89212   | 2   | WHEEL ASM, 10" FMFL BLK KNOBBY  |                    |              |
| 4B  | 86011040 | 89211   | -   | WHEEL ASM, 10" FMFL N-MARKING   |                    | OPTIONAL     |
| 4C  | 86137420 | 830748  | -   | WHEEL ASM, 10" SOLID SPCL SCBR  |                    | OPTIONAL     |
| 5   | 86000800 | 05128   | 1   | AXLE MOTOR DRIVE, 24VDC         |                    |              |
| 5A  | 86216150 | 140588  | -   | BRUSH SET, 24V TRANSAXLE        |                    | SERVICE ONLY |
| 5B  | 86004660 | 47371   | -   | HUB KIT, 05128 TRANSAXLE        | 1000094309         | SERVICE ONLY |
| 5C  | 86241840 | 48091   | -   | KEY, WOODRUFF .75ID HUB         | 1000094309         | SERVICE ONLY |
| 6   | 86238430 | 36191   | 1   | GROMMET, 1.00ID 3/16 GRIP       |                    |              |
| 7   | 86006560 | 70083   | 4   | SCR, 5/16-18 X 1 HHCS SS NP     |                    |              |
| 8   | 86092580 | 62921   | 1   | FRAME, MAIN 24V                 |                    |              |
| 9   | 86002310 | 18041   | 2   | CASTER, 4 DIA X 2 W X 3.56R     |                    |              |
| 10  | 86005630 | 57022   | 8   | NUT, 3/8-16 HEX NYLOCK THIN SS  |                    |              |
| 11  | 86278910 | 87003   | 8   | WASHER, 3/8 ID X 7/8 OD SS      |                    |              |

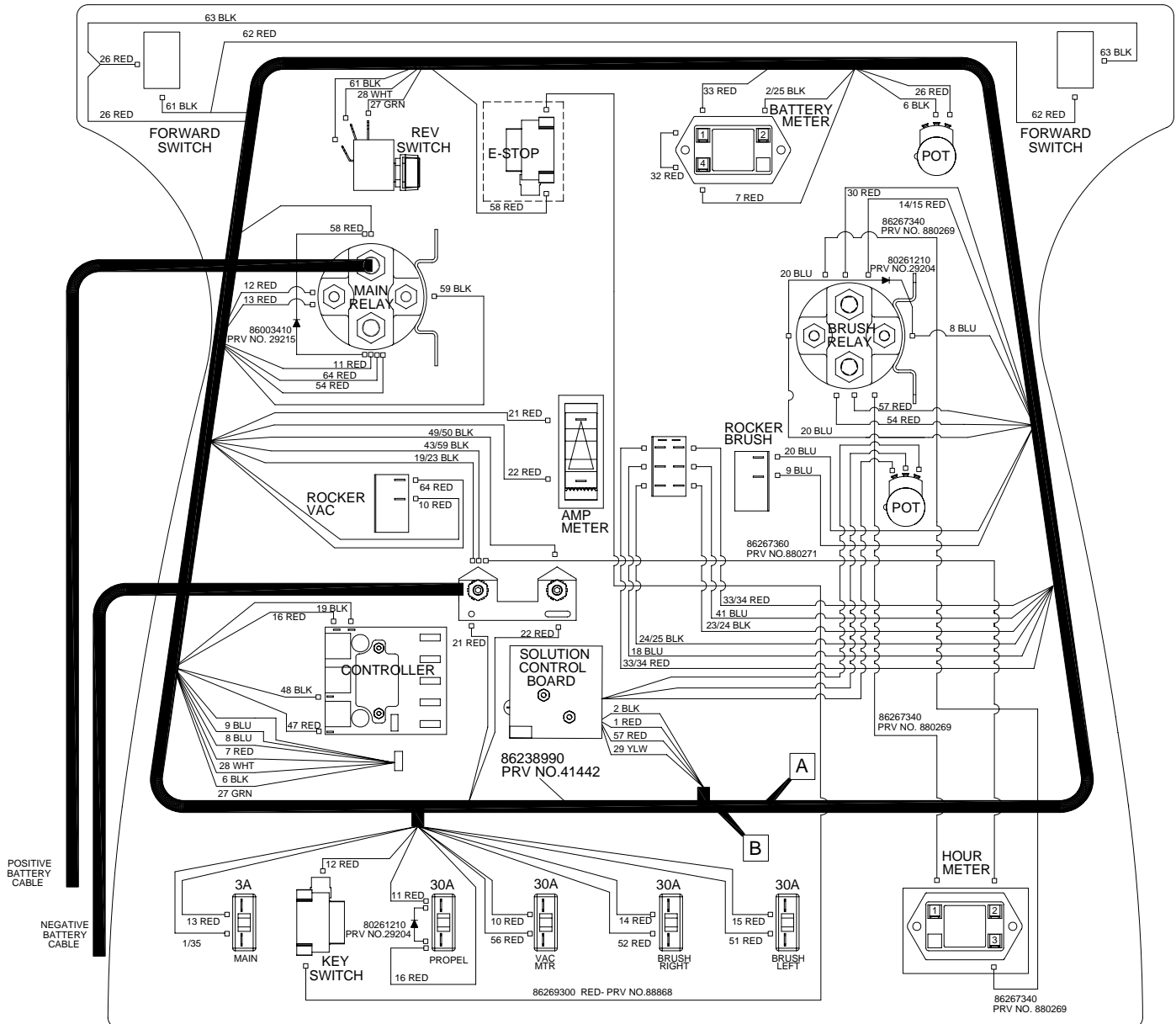
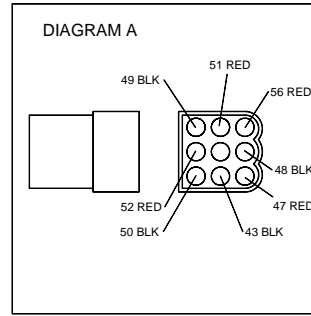
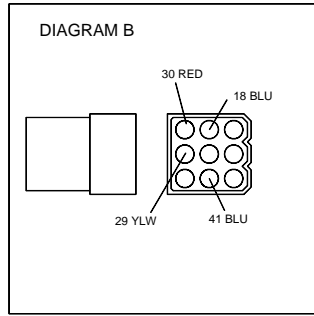
# WIRING- BATTERY



**WIRING-BATTERY**

| REF | PART NO. | PRV NO. | QTY | DESCRIPTION                      | SERIAL NO.<br>FROM | NOTES: |
|-----|----------|---------|-----|----------------------------------|--------------------|--------|
| 1   | 86010120 | 82803   | 1   | CONNECTOR 175 DCA, RED W/O TERMS |                    |        |
| 2   | 86271870 | 57290   | 2   | NUT, 1/4-20 HEX NYLOCK THIN SS   |                    |        |
| 3   | 86002510 | 23125   | 3   | CABLE ASM, BAT. JUMPER X 15"     |                    |        |
| 4   | 86002570 | 23190   | 1   | WIRE, 4 X 27 RD B CLAMP X C TERM |                    |        |
| 5   | 86002580 | 23191   | 1   | WIRE, 4 X 27 BK B CLAMP X C TERM |                    |        |
| 6   | 86260520 | 880384  | 2   | WIRE, 4X67 BK C. TERM 5/16 RING  |                    |        |
| 7   | 86233360 | 28038   | 1   | CLAMP, CABLE KIT SY945           |                    |        |

# WIRING-CONTROL PANEL

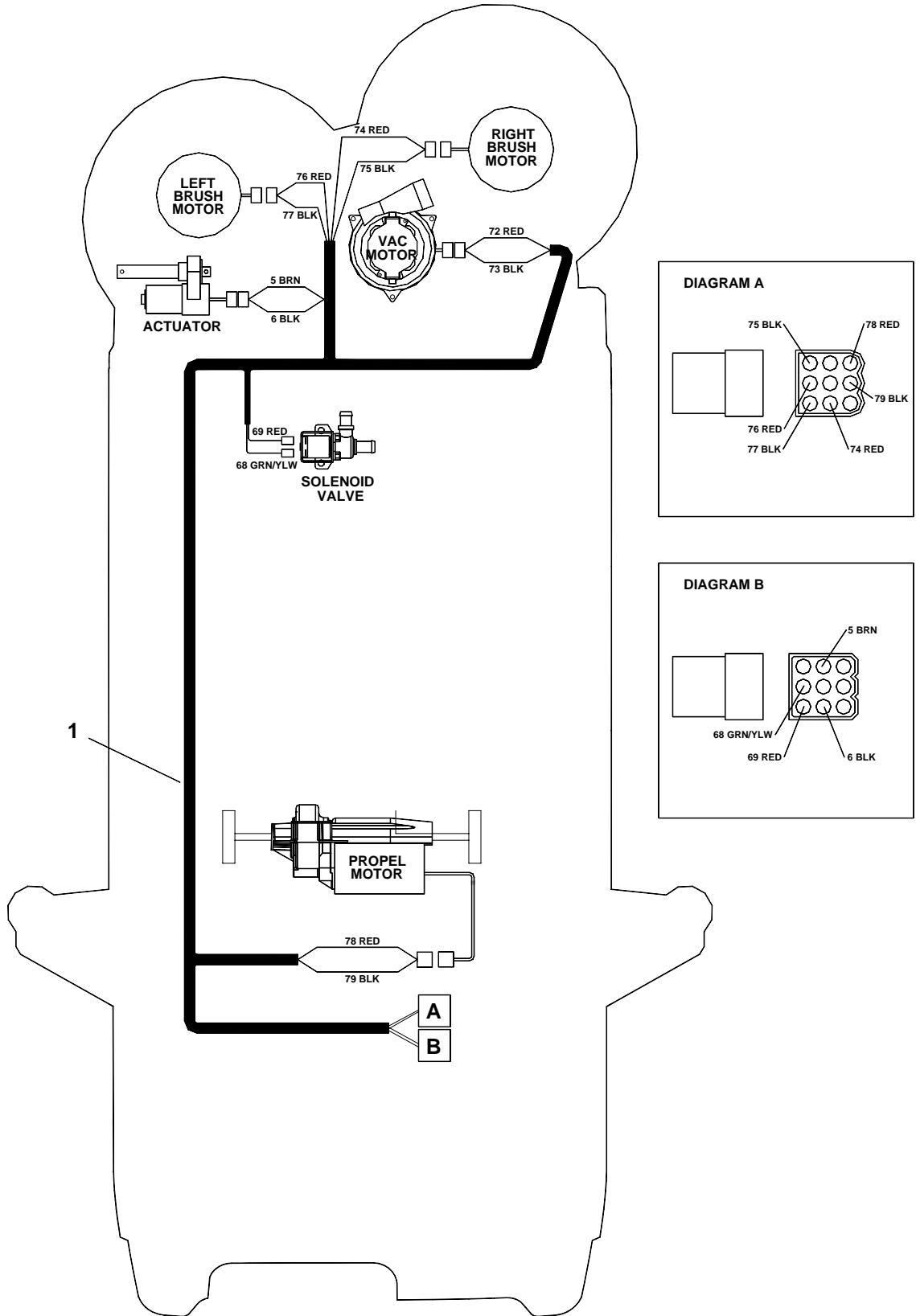


INDICATES OPTIONAL ACCESSORY

## WIRING-CONTROL PANEL

| REF | PART NO. | PRV NO. | QTY | DESCRIPTION              | SERIAL NO.<br>FROM | NOTES: |
|-----|----------|---------|-----|--------------------------|--------------------|--------|
| 1   | 86238990 | 41442   | 1   | HARNESS, MAIN            |                    |        |
| 2   | 86261210 | 29204   | 2   | DIODE ASM, 76008 X 76008 |                    |        |
| 3   | 86003410 | 29215   | 1   | DIODE ASM, 76075 X 76075 |                    |        |

# WIRING-MAIN HARNESS

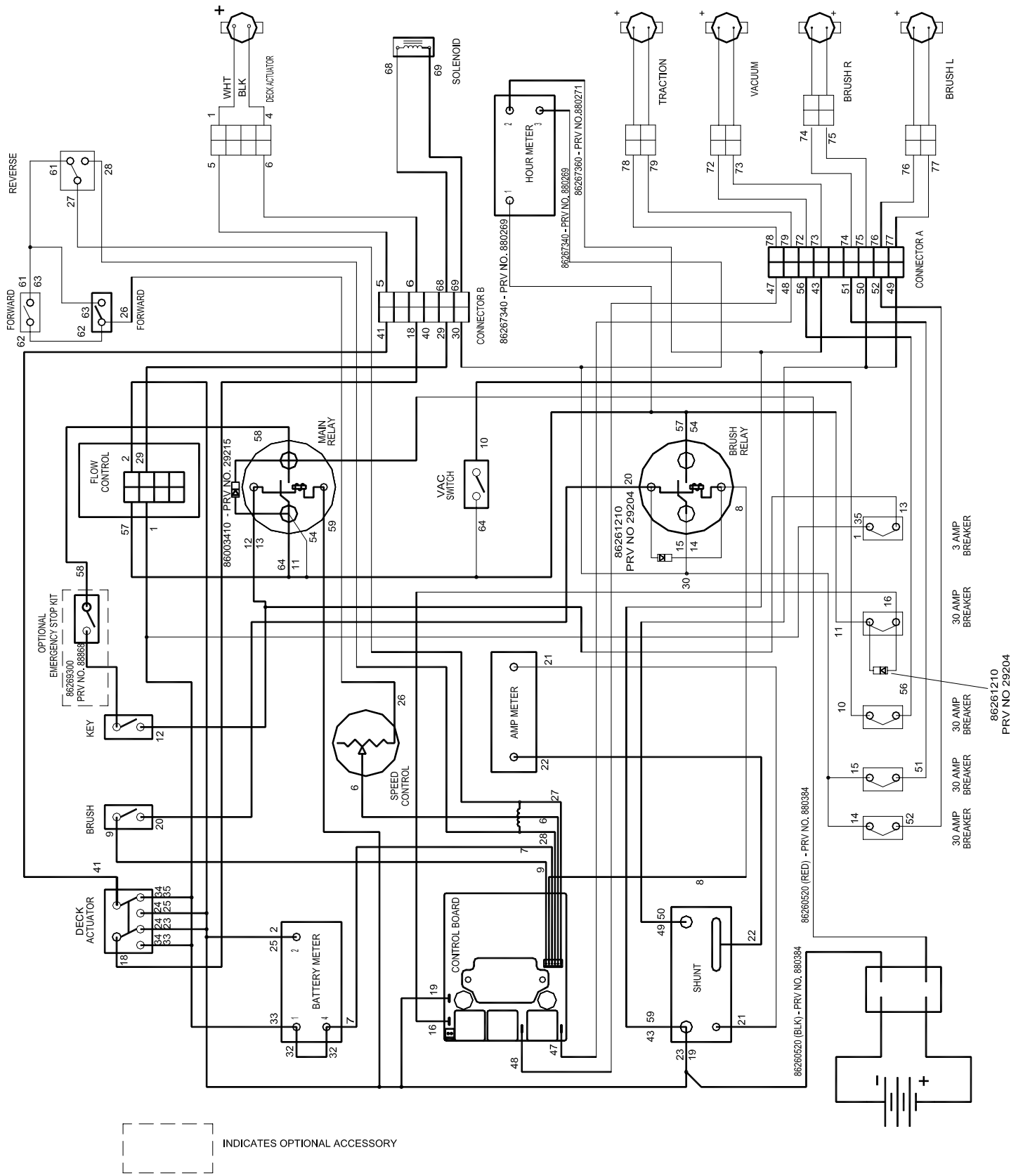


## WIRING-MAIN HARNESS

| REF | PART NO. | PRV NO. | QTY | DESCRIPTION   | SERIAL NO.<br>FROM | NOTES: |
|-----|----------|---------|-----|---------------|--------------------|--------|
| 1   | 86238980 | 41441   | 1   | HARNESS, MAIN |                    |        |

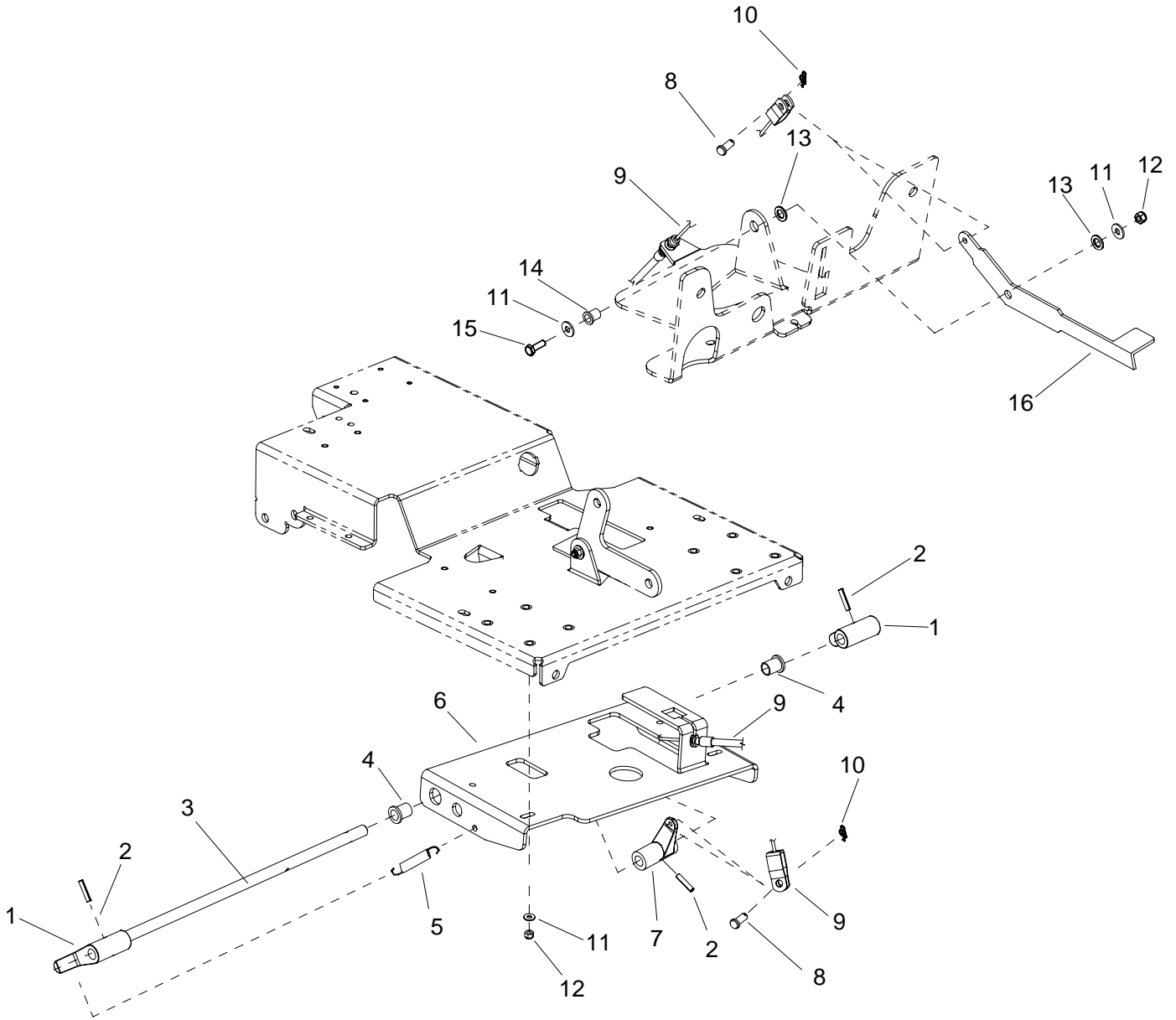


# WIRING-SCHEMATIC



***THIS PAGE LEFT BLANK INTENTIONALLY***

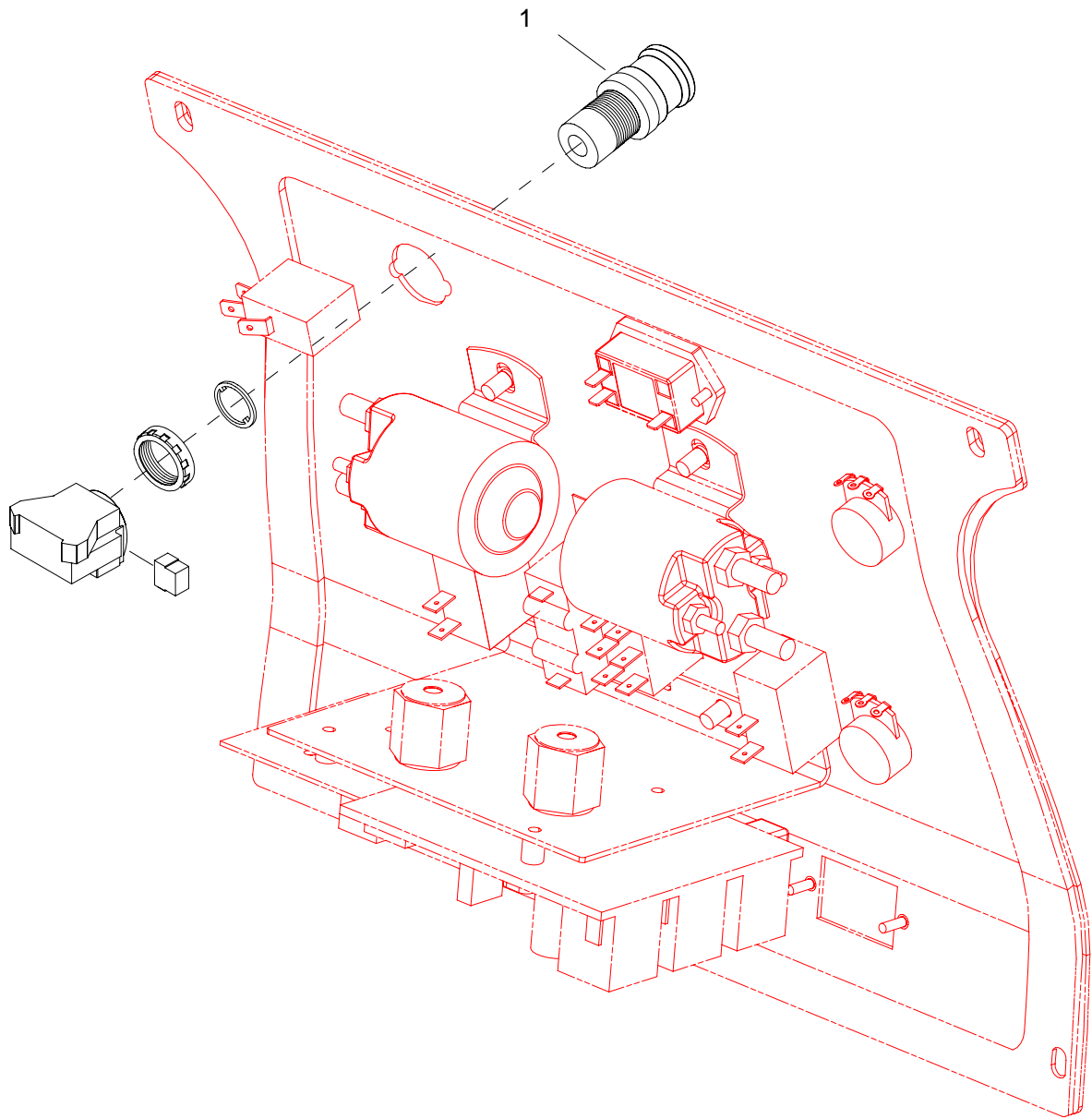
# BRAKE



**BRAKE**

| REF | PART NO. | PRV NO. | QTY | DESCRIPTION                        | SERIAL NO.<br>FROM | NOTES: |
|-----|----------|---------|-----|------------------------------------|--------------------|--------|
| 1   | 86248370 | 66381   | 2   | PAD, BRAKE                         |                    |        |
| 2   | 86006220 | 66192   | 3   | PIN, ROLL 1/4 X 1.25L              |                    |        |
| 3   | 86252070 | 67486   | 1   | ROD, BRAKE 24V                     |                    |        |
| 4   | 86231330 | 14664   | 2   | BUSH, BRZ FLG .63 X .75 X 1.0      |                    |        |
| 5   | 86255060 | 73426   | 2   | SPRING, EXT .43D X 2.50 L X .047 W |                    |        |
| 6   | 86070070 | 140565  | 1   | BRKT, LOWER BRAKE MOUNT 24V        |                    |        |
| 7   | 86234850 | 27956   | 1   | CRANK, BRAKE                       |                    |        |
| 8   | 86272610 | 80669   | 2   | PIN, CLEVIS 5/16" X .75" L PLTD    |                    |        |
| 9   | 86231820 | 27961   | 1   | CABLE, PARK BRAKE                  |                    |        |
| 10  | 86008660 | 80605   | 2   | COTTER, 5/16" RING                 |                    |        |
| 11  | 86010630 | 87013   | 6   | WASHER, 1/4 ID X 5/8 OD SS         |                    |        |
| 12  | 86271870 | 57290   | 5   | NUT, 1/4-20 HEX NYLOCK THIN SS     |                    |        |
| 13  | 86259400 | 87205   | 1   | WASHER, THRUST .51 ID X 1 OD BRO   |                    |        |
| 14  | 86228900 | 09138   | 1   | BEARING, FLANGED .252ID X .503OD   |                    |        |
| 15  | 86273820 | 70019   | 1   | SCR, 1/4-20 X 1.25 HHCS SS         |                    |        |
| 16  | 86077280 | 51378   | 2   | LEVER, BRAKE                       |                    |        |

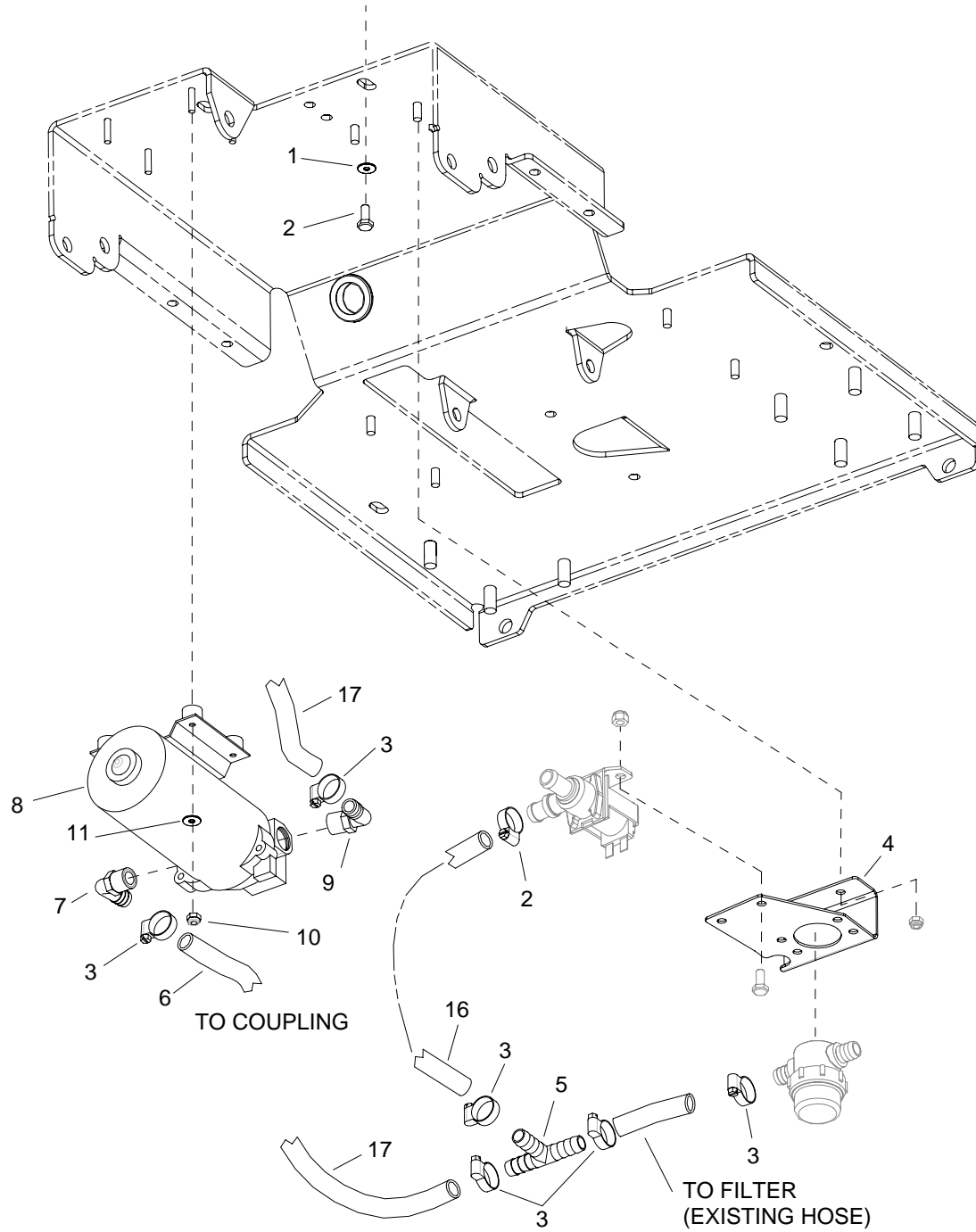
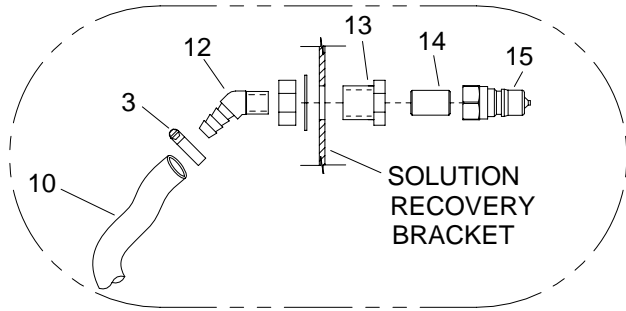
# EMERGENCY STOP



## **EMERGENCY STOP**

| REF | PART NO. | PRV NO. | QTY | DESCRIPTION                    | SERIAL NO.<br>FROM | NOTES:    |
|-----|----------|---------|-----|--------------------------------|--------------------|-----------|
| 1   | 86007180 | 72160   | 1   | SWITCH, EMERGENCY STOP         |                    |           |
| 2   | 86269300 | 88868   | 1   | WIRE, 16" RED/18 STRIP X STRIP |                    | NOT SHOWN |

# ACCESSORY PUMP-OPTION



**ACCESSORY PUMP-OPTION**

| REF | PART NO. | PRV NO. | QTY | DESCRIPTION                    | SERIAL NO.<br>FROM | NOTES:    |
|-----|----------|---------|-----|--------------------------------|--------------------|-----------|
| 1   | 86010670 | 87029   | 1   | WASHER, 5/16 FLAT SS           |                    |           |
| 2   | 86276780 | 70728   | 1   | SCR, 5/16-18 X 3/4 HHCS SS     |                    |           |
| 3   | 86233150 | 20042   | 6   | CLAMP, 3/8 HOSE (D-SLOT)       |                    |           |
| 4   | 86070140 | 140573  | 1   | BRKT, FILTER/SOLENOID MOUNT    |                    |           |
| 5   | 86240410 | 40078   | 1   | HOSEBARB, 1/2 TEE              |                    |           |
| 6   | 86282200 | 39617   | 1   | HOSE 3/8 ID X 40" WIRE BOUND   |                    |           |
| 7   | 86001550 | 40043   | 1   | HOSEBARB, 3/8MPT X 3/8 90D     |                    |           |
| 8   | 86026370 | 65180   | 1   | PUMP ASM, 24V ACCESSORY        |                    |           |
| 9   | 86197940 | 40027   | 1   | HOSEBARB, 3/8MPT X 1/2 90 D DL |                    |           |
| 10  | 86270990 | 57090   | 4   | NUT, 10-32 HEX NYLOCK SS       |                    |           |
| 11  | 86010650 | 87018   | 4   | WASHER, #10 X 9/16 OD          |                    |           |
| 12  | 86197620 | 40038   | 1   | HOSEBARB, 1/4MPT X 3/8 45D DL  |                    |           |
| 13  | 86002470 | 22072   | 1   | COUPLING, 1/4 ANCHOR W/1" HEX  |                    |           |
| 14  | 86005590 | 56014   | 1   | NIPPLE, 1/4 CLOSE              |                    |           |
| 15  | 86005580 | 56012   | 1   | NIPPLE, 1/4 FPT QD             |                    |           |
| 16  | 86282110 | 39571   | 1   | HOSE, 1/2" WIREBOUND X 5.5     |                    |           |
| 17  | 86280750 | 151-38A | 1   | HOSE, 1/2 WIREBOUND X 21"      |                    |           |
| -   | 86239020 | 41463   | 1   | HARNESS PUMP KIT ADAPTER       |                    | NOT SHOWN |
| -   | 86264940 | 27051   | 3   | CABLE TIE, 11.38" UL/CSA       |                    | NOT SHOWN |



## SUGGESTED SPARE PARTS

| PART NO. | PRV NO. | DESCRIPTION                       | SERIAL NO.<br>FROM | NOTES: |
|----------|---------|-----------------------------------|--------------------|--------|
| 86001910 | 14606   | BREAKER, 30A 50VDC                |                    |        |
| 86002000 | 14717   | BREAKER, 3AMP 1681-090-300        |                    |        |
| 86230810 | 140551  | BRUSH SET, 24V 3ST VAC AMETEK     |                    |        |
| 86135310 | 140686  | BRUSH SET, 24V/36V VAC WINDSOR    | 1000122411         |        |
| 86006420 | 67393   | RELAY, 24VDC 100A                 |                    |        |
| 86007140 | 72130   | SWITCH, SPST 2-POSITION ROCKER    |                    |        |
| 86009200 | 81535   | KNOB, 3/8-16 4 PRONG              |                    |        |
| 86007430 | 730114  | BLADE, SQUEEGEE REAR LINATEX      |                    |        |
| 86008020 | 73894   | BLADE, SQUEEGEE FRONT LINATEX 35" |                    |        |
| 86003990 | 35250   | GASKET, DOME                      |                    |        |
| 86236410 | 34394   | FLOAT, VAC SHUT OFF               |                    |        |
| 86001410 | 140507  | BLADE, 13 IN LEFT                 |                    |        |
| 86001400 | 140506  | BLADE, 13 IN RIGHT                |                    |        |
| 86007430 | 730114  | SQUEEGEE, REAR BLADE LINTEX       |                    |        |
| 86008020 | 73894   | SQGE BLADE, FRONT LINATEX 35"     |                    |        |
| 86007440 | 730119  | SKIRT 26 INCH LEFT                |                    |        |
| 86007450 | 730120  | SKIRT 26 INCH RIGHT               |                    |        |
| 86004860 | 48073   | KEY, SWITCH                       |                    |        |

NOTES:





Manufacturers of Innovative Building Maintenance Equipment

Windsor Industries, Inc.  
1351 West Stanford Avenue  
Englewood, CO 80110 USA

Phone: 303.762.1800  
FAX: 303.762.0817  
http://www.windsorind.com

### EC Declaration of Conformity

We herewith declare, Windsor Industries, Inc.  
1351 W. Stanford Ave.  
Englewood, CO 80110-5545 USA

that the following product complies with the appropriate essential health and safety requirements of the relevant EC Directives listed below, based on the relevant sections of the applicable EC standards and other normative documents.

**Product:** Saber Cutter 264  
Saber Cutter Deluxe 264  
Saber Cutter Deluxe 324

**Product Identification:** Rated 24 VDC 80 A

**Trademark:**



**Model/Type Ref.:** SCE264  
SCEX264  
SCEX324

**Product Description:** This product is a battery powered, self-propelled, wet floor scrubber intended for commercial use.

**Applicable EC Directives:** EC Machinery Directive  
(89/392/EEC & 91/368/EEC & 93/44/EEC & 93/68/EEC)  
EC Low Voltage Directive  
(73/23/EEC & 93/68/EEC)  
EC Directive of Electromagnetic Compatibility  
(89/336/EEC & 93/68/EEC)

**Applicable Harmonized Standards:** EN 60335-1: 1991  
EN 60335-2-67: 1992  
EN 60335-2-72: 1995  
EN 55022: 1998-09  
EN 55011: 1998-05  
EN 61000-6-2: 1999  
EN 61000-4-2: 1995  
EN 61000-4-3: 1997

Authorized Signature

9-10-02  
Date

**Title of Signature:** Vice President, Windsor Industries, Inc.

