

Spare parts list

(12461620) Saber GLIDE 30 SP

(12464620) Saber GLIDE 30

CONTENT LIST

1.0 Base frame

- 1.1 Base frame
- 1.2 Battery
- 1.3 Electronic control
- 1.4 Control console

2.0 Waste water tank

- 2.1 Waste water tank
- 2.2 SUCTION HOSE
- 2.3 Turbine

3.0 WATER

- 3.1 BALL VALVE
- 3.2 WATER FILTER

4.0 Steering

5.0 Suction bar

- 5.1 Suction beam retraction
- 5.2 Suction bar

6.0 Power brush

- 6.1 Power brush Saber Glide 30
- 6.2 Holder right Saber Glide 30
- 6.3 Holder left Saber Glide 30
- 6.4 Transmission Saber Glide 30
- 6.5 ELEVATING MECHANISM
- 6.6 Power brush Saber Glide 30 SP

7.0 Suction hose

8.0 Metering unit chemistry

[2.641-631.0](#)

9.0 Roll pad

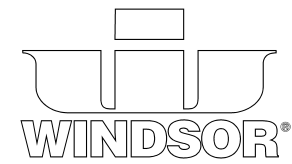
1.0 Base frame

1.1 Base frame

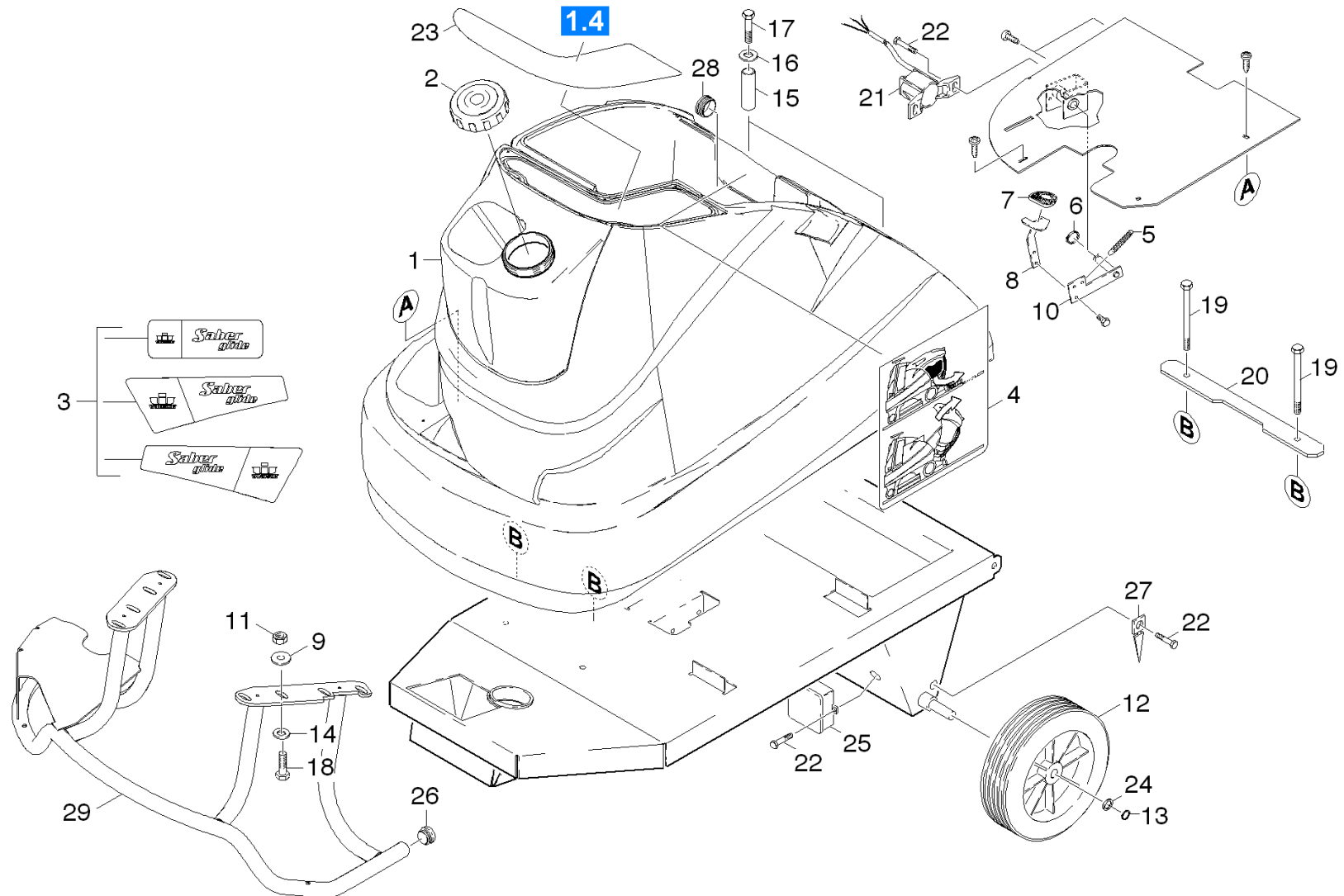
1.2 Battery

1.3 Electronic control

1.4 Control console



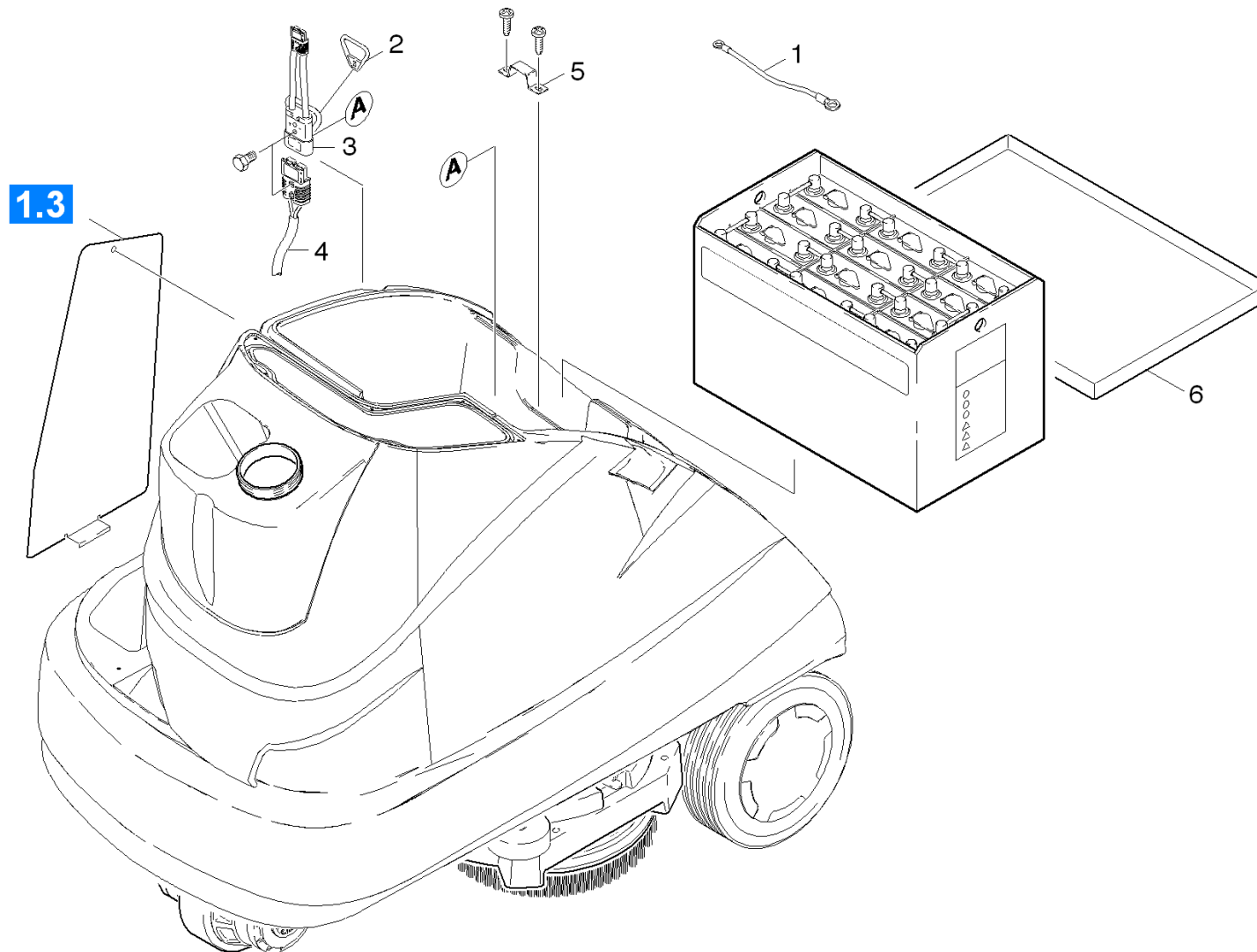
1.1 Base frame



1.1 Base frame

POS	DESCRIPTION ADDITIONAL INFORMATIONS	PART NO	QTY.	FROM SER.NR.	UP TO SER. NR.
1	Tank fresh water replacement	40711800	1		
2	Cover complete	43920230	1		
3	Set label replacement	33910030	1		
4	DECAL	53850780	1		
5	EXTENSION SPRING	63300910	1		
6	Locking ring 16x1-FST-PHR DIN 471	73430050	1		
7	Coating pedal	63210460	1		
8	Plate pedal	50073350	1		
9	Washer 8 -A2 ISO 7093-1	73122890	8		
10	Lever pedal complete	44811820	1		
11	Hexagon nut M8 -8-A3E ISO 4032	73110040	8		
12	Wheel oil resistant D300	64357380	2		
13	Locking ring 25x1,2-St-vz DIN 471	73430080	2		
14	Washer 8-A2 ISO 7089	73120170	8		
15	SLEEVE	51105110	2		
16	Washer 8 -100HV-A3E ISO 7094	73122610	2		
17	Hexagonal head screw M8x50-A2-70 ISO 40	73045040	2		
18	Hexagonal head screw M 8x25-8.8-A2E ISO	73043990	8		
19	Hexagonal head screw M8x130-A4-70 ISO 4	73040230	2		
20	Plate fixing fresh water tank	50089990	1		
21	Tachograph sensor B	66003000	1		
22	Screw M5x16 -St-A2R (In6Rd)	73030390	4		
23	Seal string cellular rubber	62731960	1		
	TO ORDER AS CUT GOODS				
24	Shim ring 25x36x1,0-ST2K50 DIN 988	73432150	2		
25	CASE	66513640	1		
26	PLUG	63857830	2		
27	Grounding tongue	66002650	1		
28	Plug 42mm	66421110	1		
29	Ram protection complete	40405030	1		

1.2 Battery



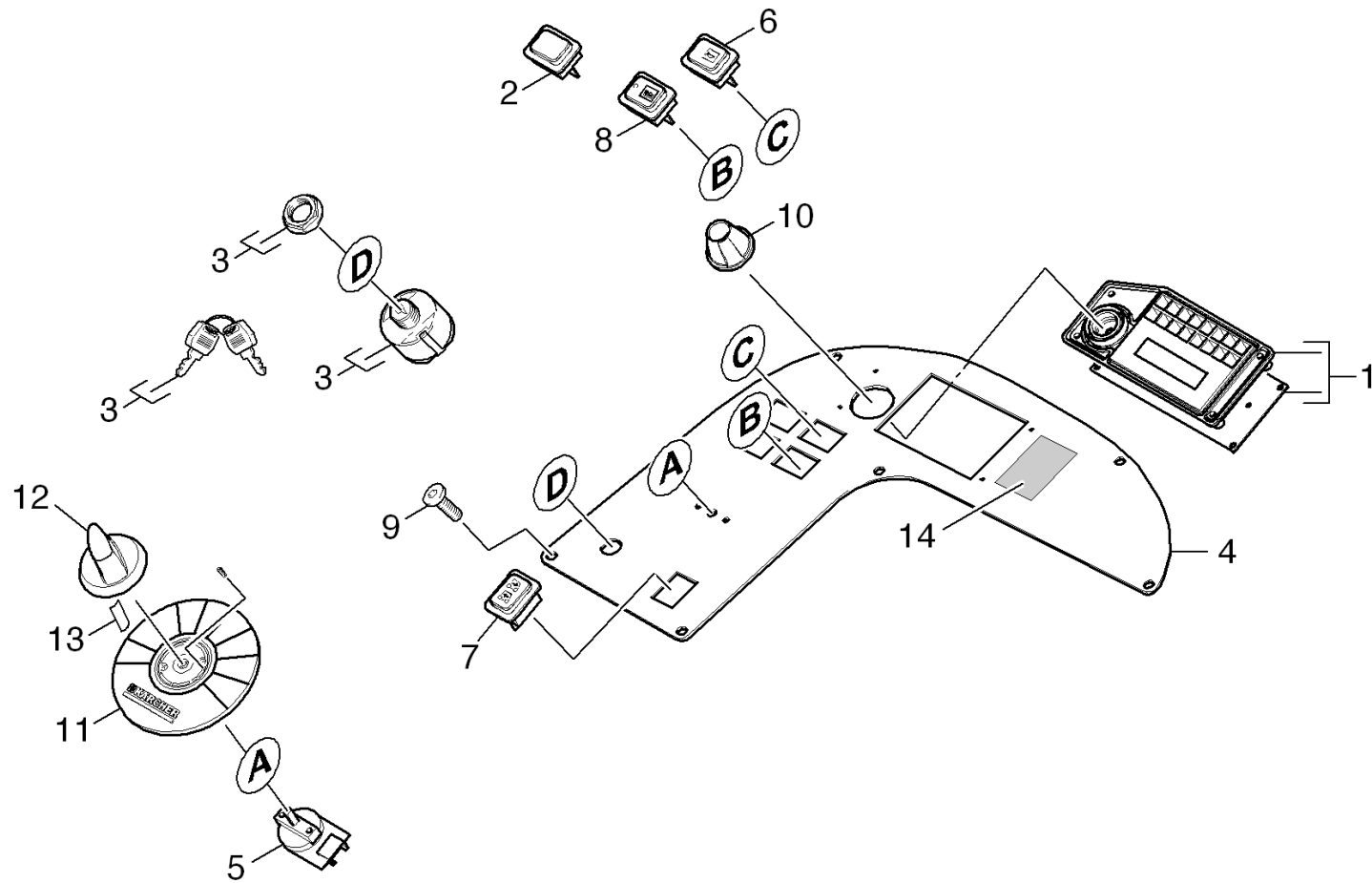
1.2 Battery

POS	DESCRIPTION ADDITIONAL INFORMATIONS	PART NO	QTY.	FROM SER.NR.	UP TO SER. NR.
1	CONNECTION CABLE *	66482980	3		
2	HANDLE	63211520	1		
3	Adapter cable battery charger LOCKING PISTON	66494600	1		
4	Supply cable battery	66492810	1		
5	Plate cable battery	50073390	1		
6	TUB BAT-Trog	50390530	1		

1.3 Electronic control

POS	DESCRIPTION ADDITIONAL INFORMATIONS	PART NO	QTY.	FROM SER.NR.	UP TO SER. NR.
1	Plate covering cap control system	50089280	1		
2	Cylinder head screw M 6x20-8.8-A2E DIN91	73060220	1		
3	Sealing profile TO ORDER AS CUT GOODS	62861130	1		
4	Control circuit board drive module	66827460	1		
5	Control circuit board lifting module	66827470	1		
6	Control circuit board Cleanmodul	66827490	1		
7	Contactora 24V / 180A	66323940	1		
8	FUSE INSERT 150A	66443330	2		
9	INSULATOR SCHWARZ	66520260	1		
10	Fuse insert C30 DIN 72581-3	76440400	1		
11	Fuse insert C 7,5 DIN 72581-3	76440070	1		
12	Plate	66442760	1		
13	Fuse holder	66442750	1		
14	Fuse holder	66442790	1		
15	Buzzer	66301580	1		
16	Blower 12V, 2,6W	66128960	1		
17	BOLT	63160310	2		
18	Washer 6-KUNSTSTOFF ISO7089	73120270	1		
19	Sleeve insulating M6	63921600	1		
20	Hexagon nut M 6-8-A2E ISO 7040	73115120	1		
21	Earth strap with insulating 200mm	66466820	1		
22	Washer 5 -A2 ISO 7090	73120580	2		
23	Plate hook electric	50084020	1		
24	Hexagon nut M5 -8-A2E ISO 4032	73110020	2		
25	Screw M5x10 -8.8-R2R (In6Rd)	73060710	2		
26	Data cable only for replacement (Buskab	66421200	1		
27	Bolt	63160330	2		

1.4 Control console



1.4 Control console

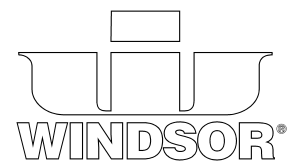
POS	DESCRIPTION ADDITIONAL INFORMATIONS	PART NO	QTY.	FROM SER.NR.	UP TO SER. NR.
1	Control panel info panel + CPU	48411610	1		
2	PROTECTING CAP 35*25	63682860	5		
3	KEY SWITCH	66301060	1		
4	Plate control panel with Folie	43870050	1		
5	Switch program selection	66303870	1		
6	Pushbutton two-pole hooter	66323660	1		
7	Switch two-pole direction of travelling	66323670	1		
8	Switch chemistry	66324000	1		
9	Screw 5x16 -10.9-P2R (K-In6Rd)	73031070	6		
10	HANDLE INFOPANNEL	53217500	1		
11	Moulded part CRI	50333270	1		
12	Handhold operational concept	53217380	1		
13	SPRING CLIP	63130140	1		
14	Label Mix Ratio	53918860	1		

2.0 Waste water tank

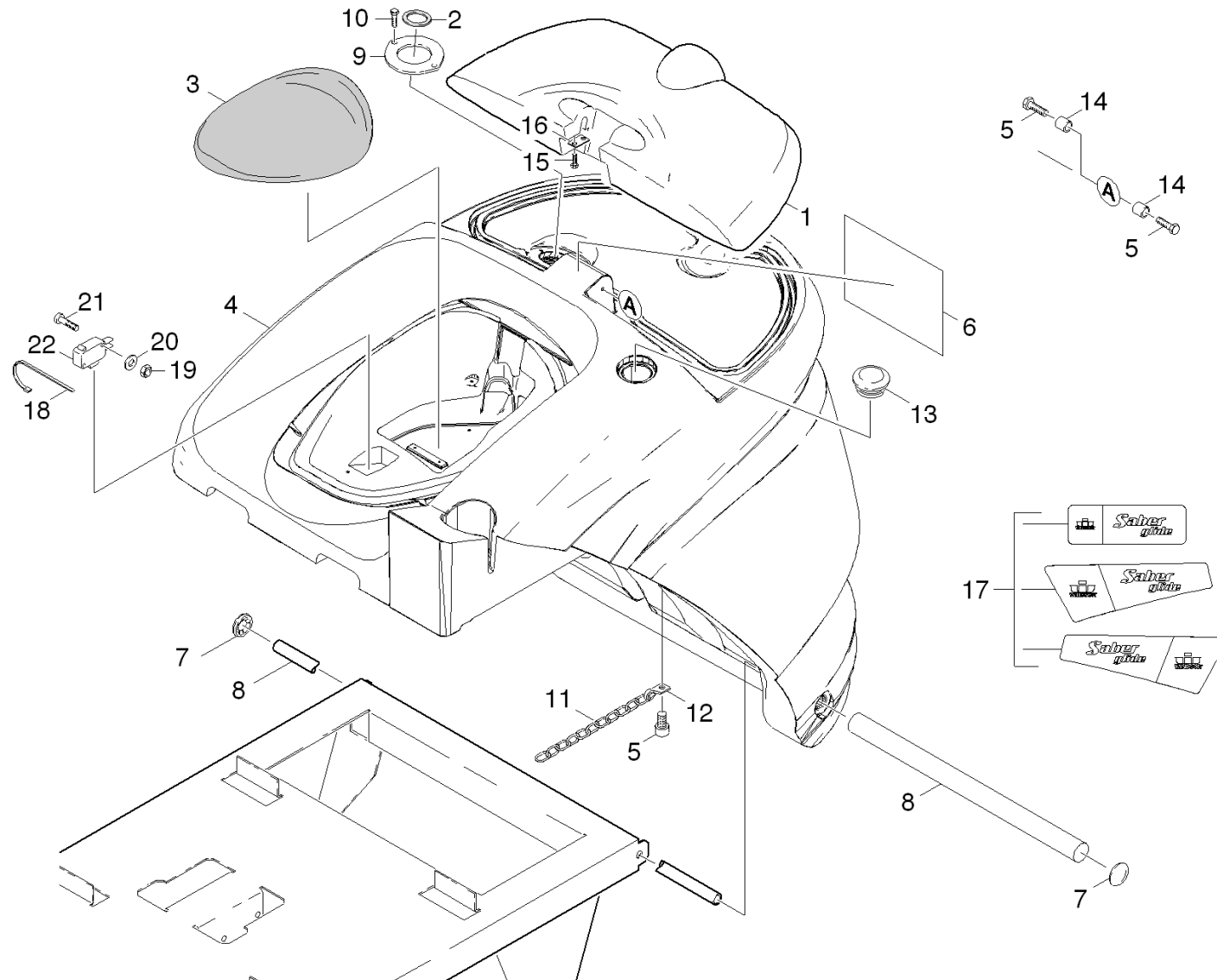
2.1 Waste water tank

2.2 SUCTION HOSE

2.3 Turbine



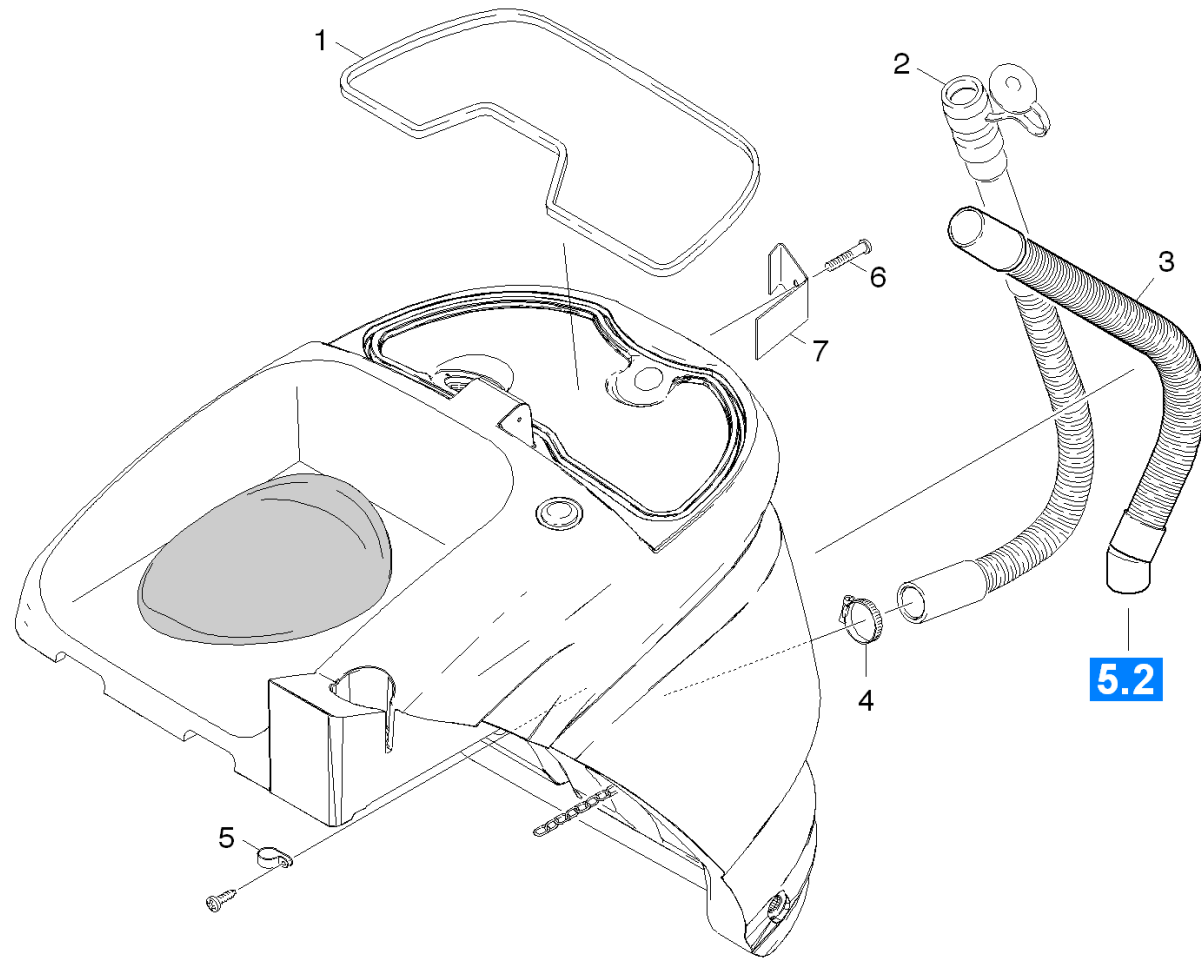
2.1 Waste water tank



2.1 Waste water tank

POS	DESCRIPTION ADDITIONAL INFORMATIONS	PART NO	QTY.	FROM SER.NR.	UP TO SER. NR.
1	COVER TANK	50639330	1		
2	Joint ring	53633440	1		
3	HOUSING	46050390	1		
4	Tank waste water complete	40711770	1		
5	Cylinder head screw M 6x20-8.8-A2E DIN91	73060220	2		
6	DECAL	53850770	1		
7	SAFETY DISK	63431220	2		
8	Axle waste water tank	51053540	1		
9	Plate	50017520	1		
10	Hexagonal head screw M 5x10-A4-70 ISO 4	73045390	2		
11	CHAIN TO ORDER AS CUT GOODS	64320310	1		
12	PLATE	50019870	2		
13	Plug	51321240	1		
14	Sleeve	51101770	2		
15	Screw 5x16 -A2-70 (IN6RD)	73031040	4		
16	Strap cap of a tank	50049310	2		
17	Set label replacement	33910030	1		
18	Cable tape	66414630	1		
19	Hexagon nut M 2-8-A2E ISO 4032	73110740	2		
20	Washer 3-A2 ISO 7089	73120430	2		
21	Screw M2x20 -8.8-A2R (In6Rd)	73060450	2		
22	MICRO SWITCH	66318540	1		

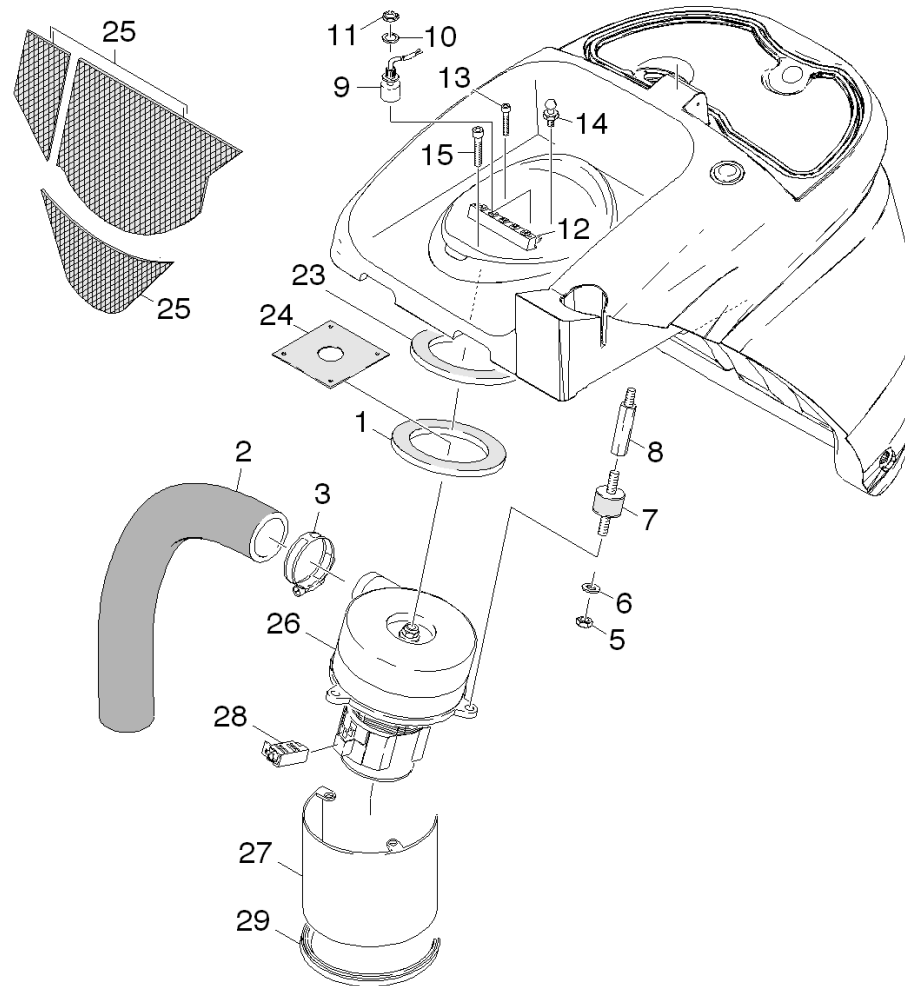
2.2 SUCTION HOSE



2.2 SUCTION HOSE

POS	DESCRIPTION ADDITIONAL INFORMATIONS	PART NO	QTY.	FROM SER.NR.	UP TO SER. NR.
1	Sealing profile TO ORDER AS CUT GOODS	63660430	1		
2	Drain hose DN38 BIG TRIKE STANDARD	63906740	1		
2	DRAIN HOSE DN38 OIL RESISTANT	63908290	1		
3	Suction hose oil resistant DN 38 OIL RESISTANT	63915930	1		
3	Suction hose DN 38 - Big Trike STANDARD	63916980	1		
4	HOSE BAND CLIP	63887130	4		
5	Cable clamp	66414600	1		
6	Screw 5x16 -10.9-P2R (K-In6Rd)	73031070	1		
7	Holder drain hose	50445690	1		

2.3 Turbine

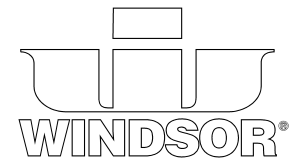


2.3 Turbine

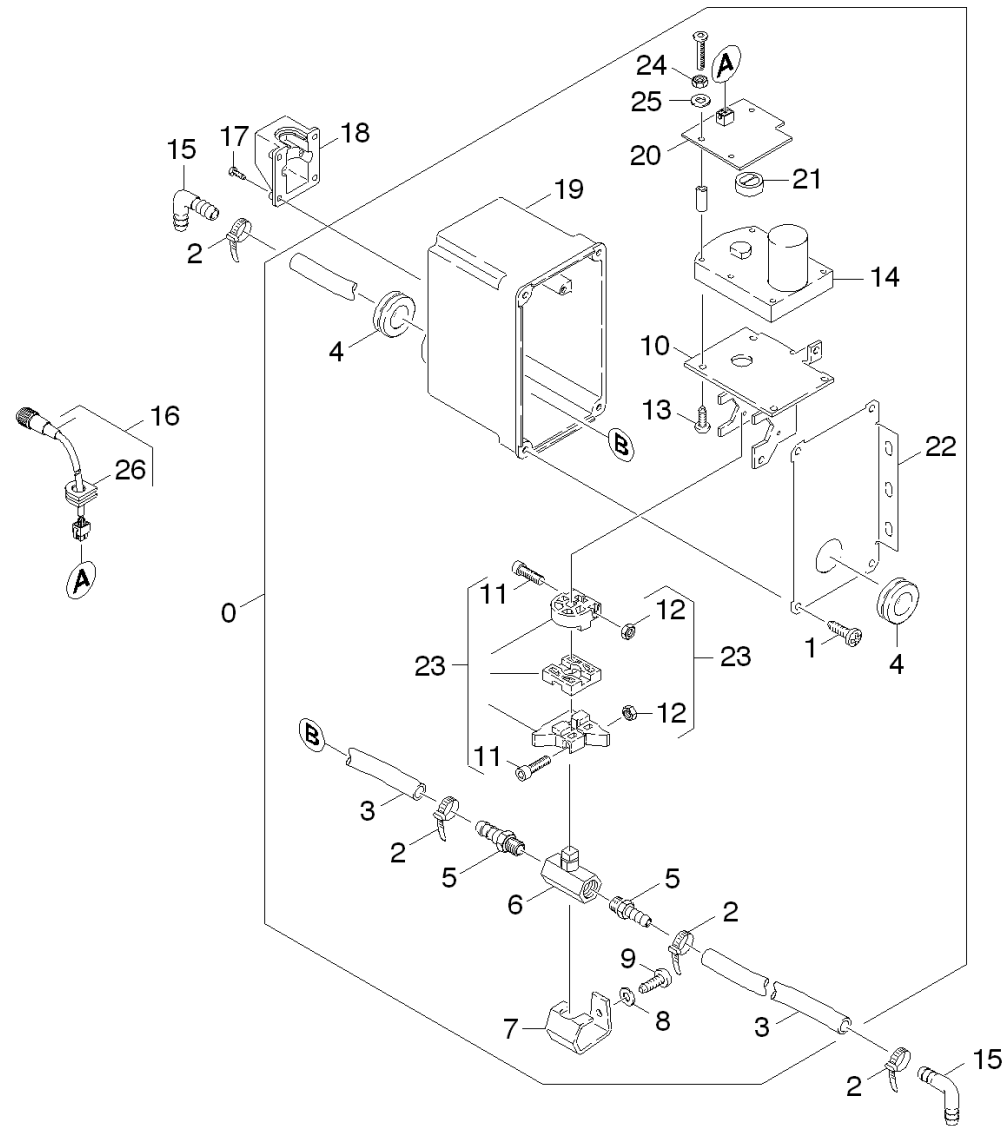
POS	DESCRIPTION ADDITIONAL INFORMATIONS	PART NO	QTY.	FROM SER.NR.	UP TO SER. NR.
1	Joint ring	53635740	1		
2	SUCTION TUBE	63889490	1		
3	HOSE BAND CLIP	63885630	1		
5	Hexagon nut M 6-A2-70 ISO 4032	73110670	3		
6	Washer 6 -A2 ISO 7090	73120260	3		
7	Rubber buffer 2xM6-D20 H15	63390210	3		
8	Stud bolt M8x12	53080680	3		
9	FLOAT VALVE	66313090	1		
10	Flat gasket 13X20	66416540	1		
11	Locknut PG7	66414830	1		
12	Terminal clamp	66435560	1		
13	Cylinder head screw 3X18-ST-A2E	63032450	2		
14	Bolt only for replacement	53169090	1		
15	Screw M6x16 -A2-70 (In6Rd)	73061930	1		
23	Joint ring	53631110	1		
24	PLATE Versteifung Tank	50081340	1		
25	SOUND INSULATION	56731290	1		
26	VACUUM MOTOR	64901150	1		
27	Plate vacuum motor	50069600	1		
28	CARBON BRUSH SET	66102200	1		
29	Edge protection	63680180	1		
	TO ORDER AS CUT GOODS				

3.0 WATER

3.1 BALL VALVE
3.2 WATER FILTER



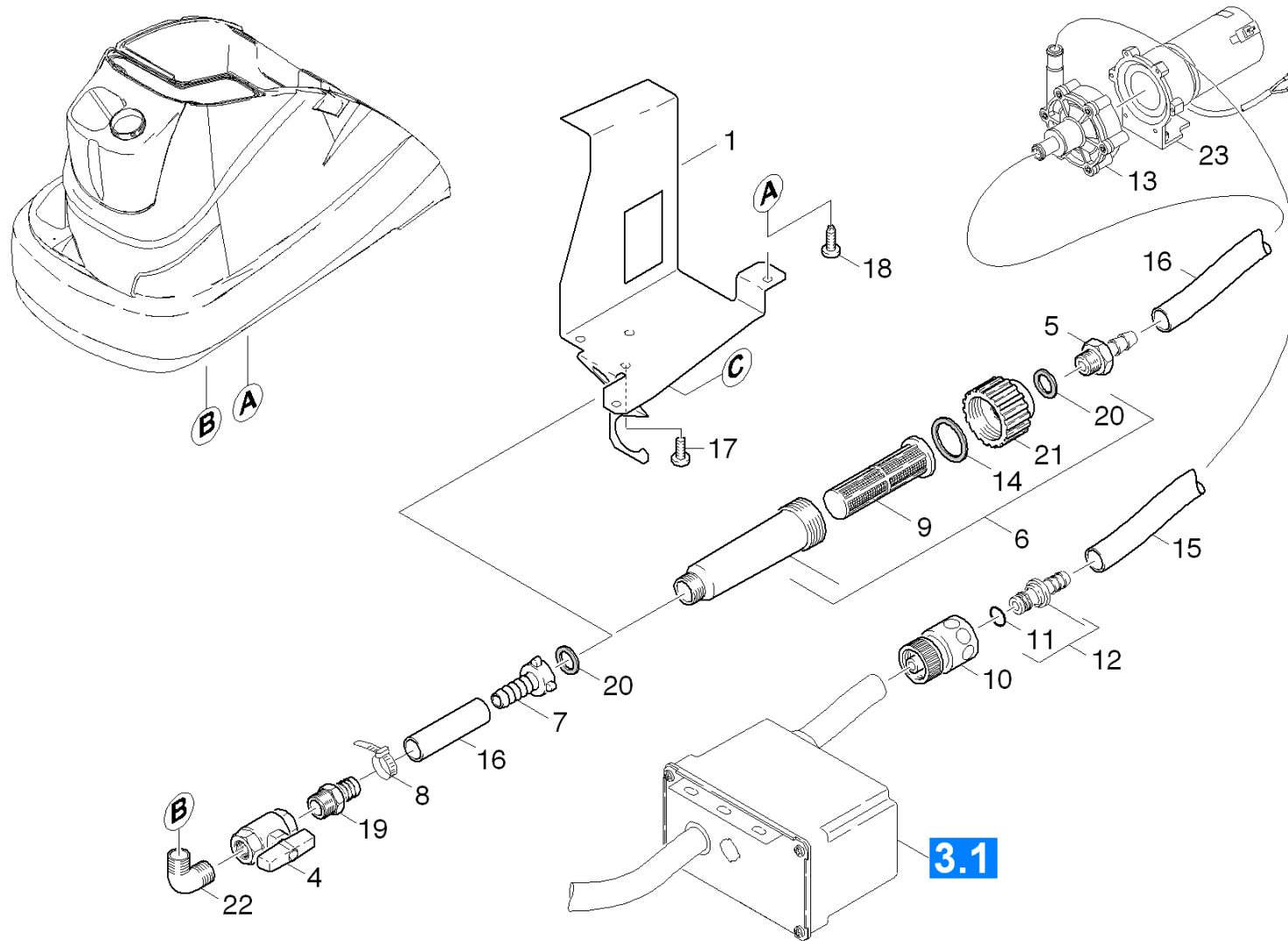
3.1 BALL VALVE



3.1 BALL VALVE

POS	DESCRIPTION ADDITIONAL INFORMATIONS	PART NO	QTY.	FROM SER.NR.	UP TO SER. NR.
0	VALVE	45806050	1		
1	Screw 5x16 -10.9-P2R (K-In6Rd)	73031070	4		
2	HOLDER	66414740	4		
3	Hose DN12,5 TO ORDER AS CUT GOODS	63882480	1		
4	BUSH	66482300	2		
5	Hose stem	63898980	2		
6	BALL VALVE BR700	64122890	1		
7	BRACKET	50443250	1		
8	Washer 6-200HV-P4E ISO 7089	73120450	1		
9	Screw M6x16 -St-R3R (In6Rd)	73030470	1		
10	FRAME	50501200	1		
11	Screw M 4x25-A2-70 (IN6RD)	73062110	2		
12	Hexagon nut M 4-04-A2E ISO 4035	73110280	2		
13	Screw 4x16 -10.9-R2R (K-In6Rd)	73031290	2		
14	MOTOR KPL.	46234670	1		
15	Elbow connector 1/2"	63886280	2		
16	CABLE	58200750	1		
17	Screw 4x 12-ST-10.9-R2R (IN6RD)	73030950	4		
18	Elbow connector ball valve	50327610	1		
19	HOUSING KUGELHAHN	50641350	1		
20	CIRCUIT BOARD	66826740	1		
21	ADAPTER	50325360	1		
22	PLATE LINKS	50067960	1		
23	SPARE PARTS KIT	28841620	1		
24	Hexagon nut M3 -8-A2E ISO 4032	73110000	3		
25	Washer 3-200HV-A2E ISO 7092	73120110	3		
26	CABLE BUSHING	66480640	1		

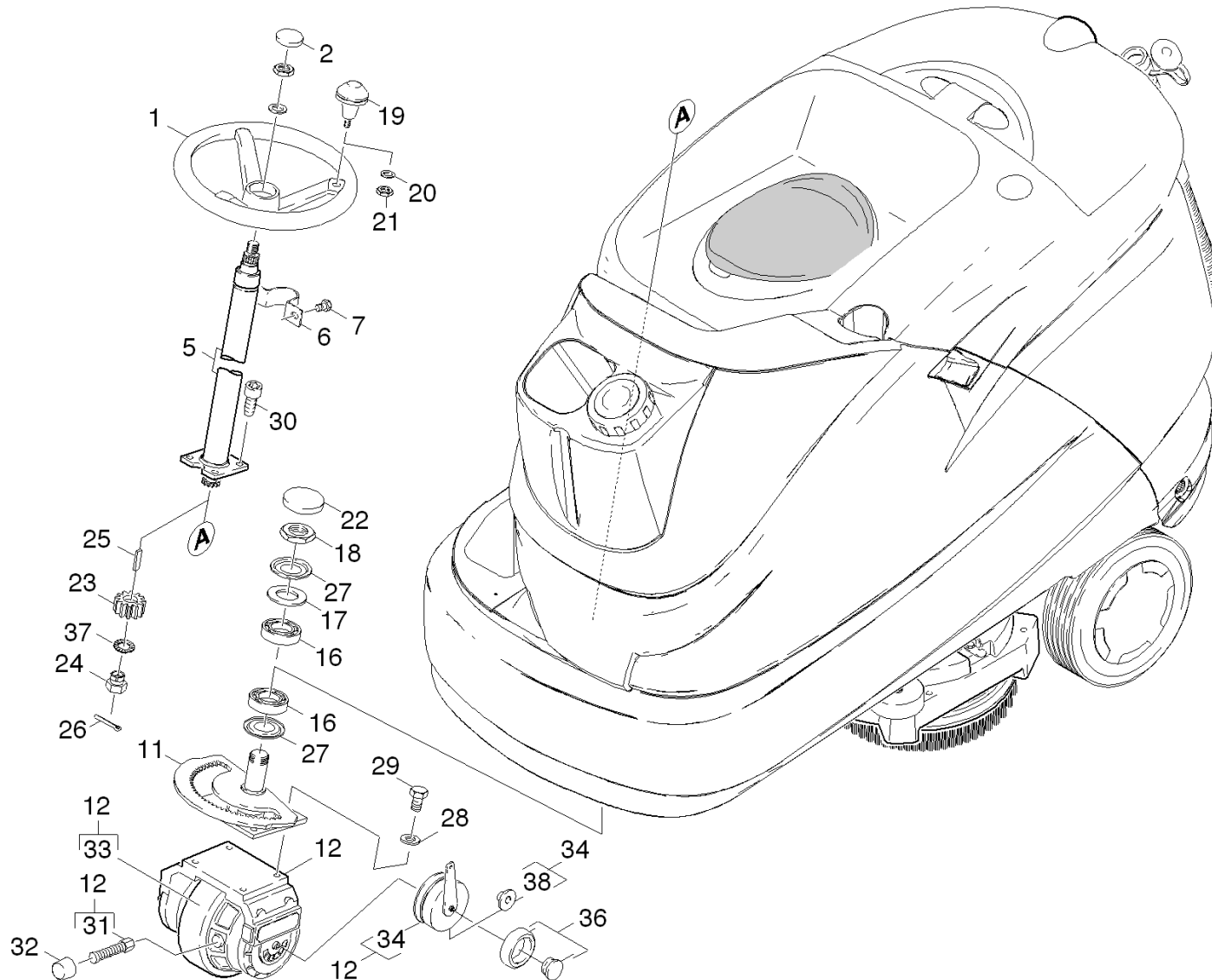
3.2 WATER FILTER



3.2 WATER FILTER

POS	DESCRIPTION ADDITIONAL INFORMATIONS	PART NO	QTY.	FROM SER.NR.	UP TO SER. NR.
1	Holder pump	50447060	1		
2	ANGLE A4- 1/2	63878770	1		
3	Double nipple N8-1/2"-2.1096	63878780	1		
4	Stop cock R 1/2"	64133780	1		
5	Hose stem R3/4"	63885980	1		
6	WATER FILTER	47300710	1		
7	Hose nozzle	63870870	1		
8	HOLDER	66414740	6		
9	WATER FILTER	57315870	1		
10	Hose coupling	63884820	1		
11	GASKET	63621700	1		
12	HOSE STEM	54433750	1		
13	Pump head 3/4"	44730110	1		
14	Seal	53633360	1		
15	Hose DN12,5 TO ORDER AS CUT GOODS	63882480	1		
16	Hose DN15 TO ORDER AS CUT GOODS	63903240	1		
17	Screw M4x12 -A2-70 (In6Rd)	73062070	3		
18	Screw 5x16 -10.9-P2R (K-In6Rd)	73031070	2		
19	Hose stem 1/2"	63896920	1		
20	Joint ring	53630950	2		
21	Screw connector part	54011910	1		
22	ANGLE A8- 1/2	63874940	1		
23	Motor complete	46237060	1		

4.0 Steering



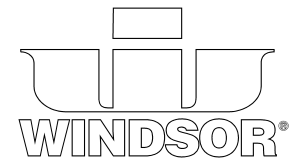
4.0 Steering

POS	DESCRIPTION ADDITIONAL INFORMATIONS	PART NO	QTY.	FROM SER.NR.	UP TO SER. NR.
1	Steering wheel	64352530	1		
2	Cap	63683610	1		
5	STEERING PILLAR	64391770	1		
6	Holder steering pillar	50445180	1		
7	Hexagonal head screw M8x16-8.8-A2E ISO	73043950	2		
11	STEERING	40400070	1		
12	Wheel drive motor	66130700	1		
16	Angular contact ball bearing	64012600	2		
17	Washer 24 -200HV-A3E ISO 7090	73120100	1		
18	Hexagon nut M24X1,5-22H-A2E DIN 936	73111220	1		
19	Handhold	63211420	1		
20	Washer 8 -200HV-A3E ISO 7090	73120040	1		
21	Hexagon nut M8 -04-A2E ISO 10511	73114270	1		
22	Cap	63682150	1		
23	Gear wheel M=2,5/Z12	53520920	1		
24	Castle nut M16x1,5 -17H-A3E DIN937	73110520	1		
25	Parallel key 5x5x12 -C45R DIN 6885-1	73180840	1		
26	Cotter 4x36 -St-A2E ISO 1234	73163520	1		
27	RING WHEEL	64012630	2		
28	Hexagonal head screw M10x25-8.8-A3E ISO	73044150	4		
29	Spring washer B10-FSt-A3E DIN 127	73130050	4		
30	Cylinder head screw M10x30-8.8-A3E ISO4	73060630	4		
31	CARBON BRUSH SET	66102110	1		
32	Cap carbon brushes	69617140	1		
33	Tire Wheel drive motor convex	64357290	1		
34	Brake adjustable complete	44670030	1		
36	Retrofit kit brake	64670390	1		
37	Serrated lock washer A17-1.4310 DIN 679	73120350	1		
38	WASHER	63943910	1		

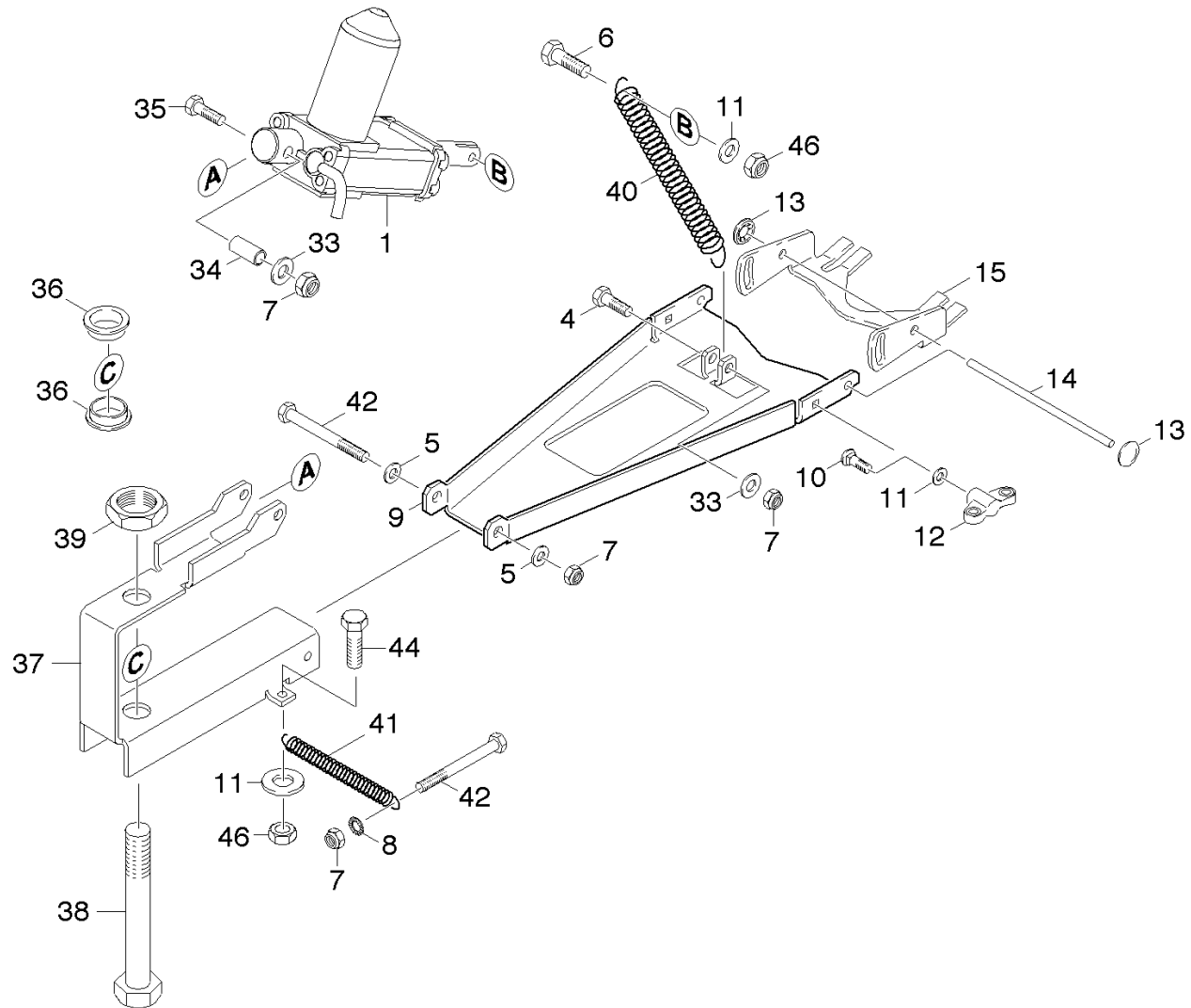
5.0 Suction bar

5.1 Suction beam retraction

5.2 Suction bar



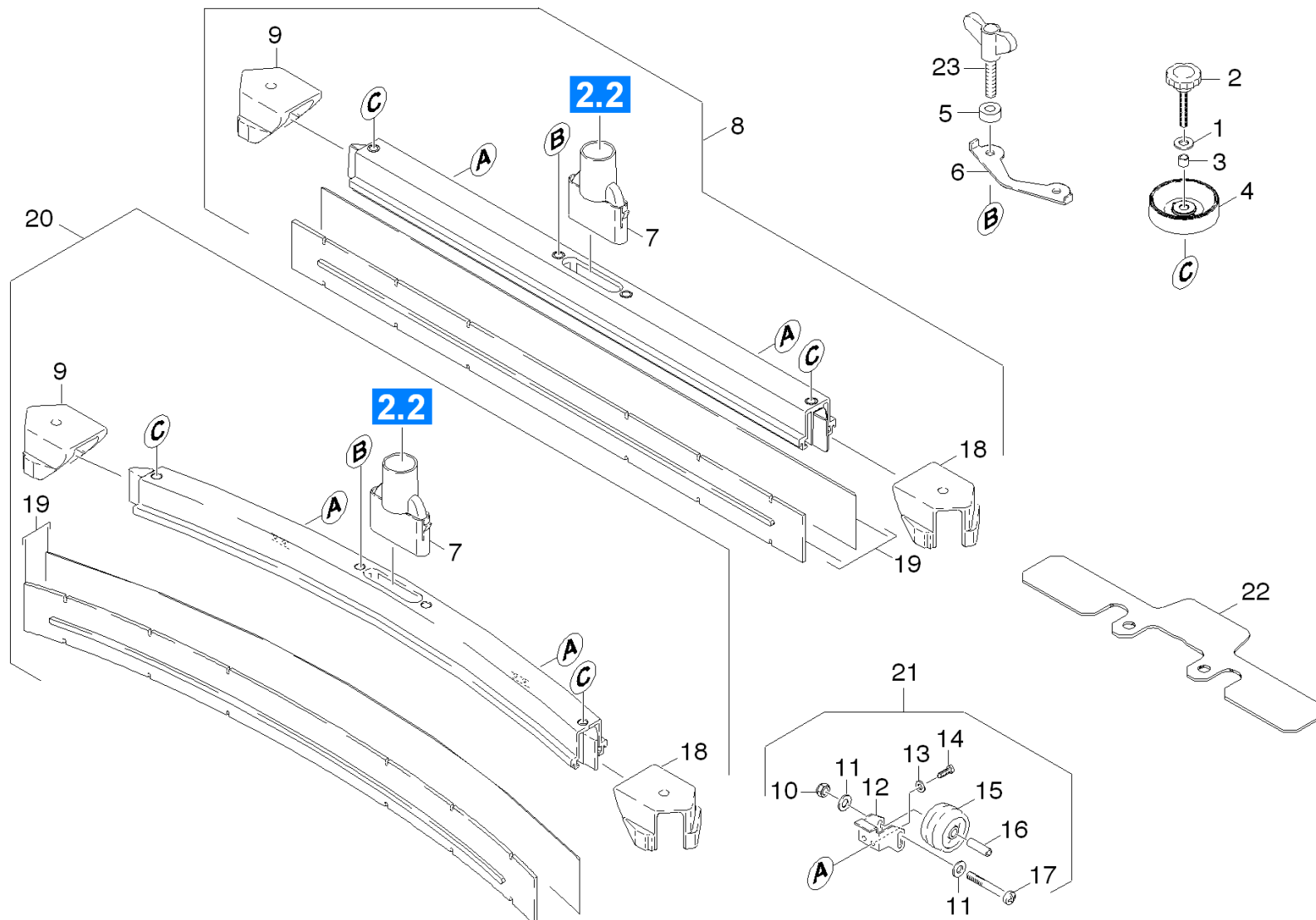
5.1 Suction beam retraction



5.1 Suction beam retraction

POS	DESCRIPTION ADDITIONAL INFORMATIONS	PART NO	QTY.	FROM SER.NR.	UP TO SER. NR.
1	Hoisting motor 24V 47mm	66119820	1		
4	Hexagonal head screw M 8x45-8.8-A2E ISO	73044070	1		
5	Washer 8 -200HV-A3E ISO 7090	73120040	2		
6	Hexagonal head screw M 6x25-A4-70 ISO 4	73045090	1		
7	Hexagon nut M8 -04-A2E ISO 10511	73114270	4		
8	Serrated lock washer A8,4-1.4310 DIN679	73120220	2		
9	PLATE	50595280	1		
10	Saucer-head screw M6x20 -A2 DIN 603	73031390	1		
11	Washer 6 -A2 ISO 7090	73120260	5		
12	Wing nut M 6	63101290	2		
13	Lock washer 8	63431320	2		
14	Bar	51072020	1		
15	Rocker suction bar	50598670	1		
33	Washer 8 -200HV-A3E ISO 7090	73120040	2		
34	BUSH	51123810	1		
35	Hexagonal head screw M8x50-A2-70 ISO 40	73045040	1		
36	PLAIN BEARING 20/28	64030310	2		
37	PLATE	50595310	1		
38	Hexagonal head screw M20x140-A2-70 ISO	73040560	1		
39	Hexagon nut M20-A2-70 ISO 7040	73110340	1		
40	Extension spring	63302450	1		
41	HELICAL SPRING	53322780	2		
42	Hexagonal head screw M8x70-8.8-A2E ISO	73040970	2		
44	Hexagonal head screw M 6x16-A4-70 ISO 4	73045210	2		
46	Hexagon nut M6 -04-A2E ISO 10511	73114250	2		

5.2 Suction bar

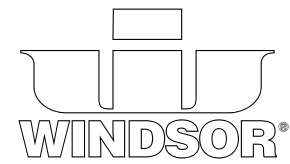


5.2 Suction bar

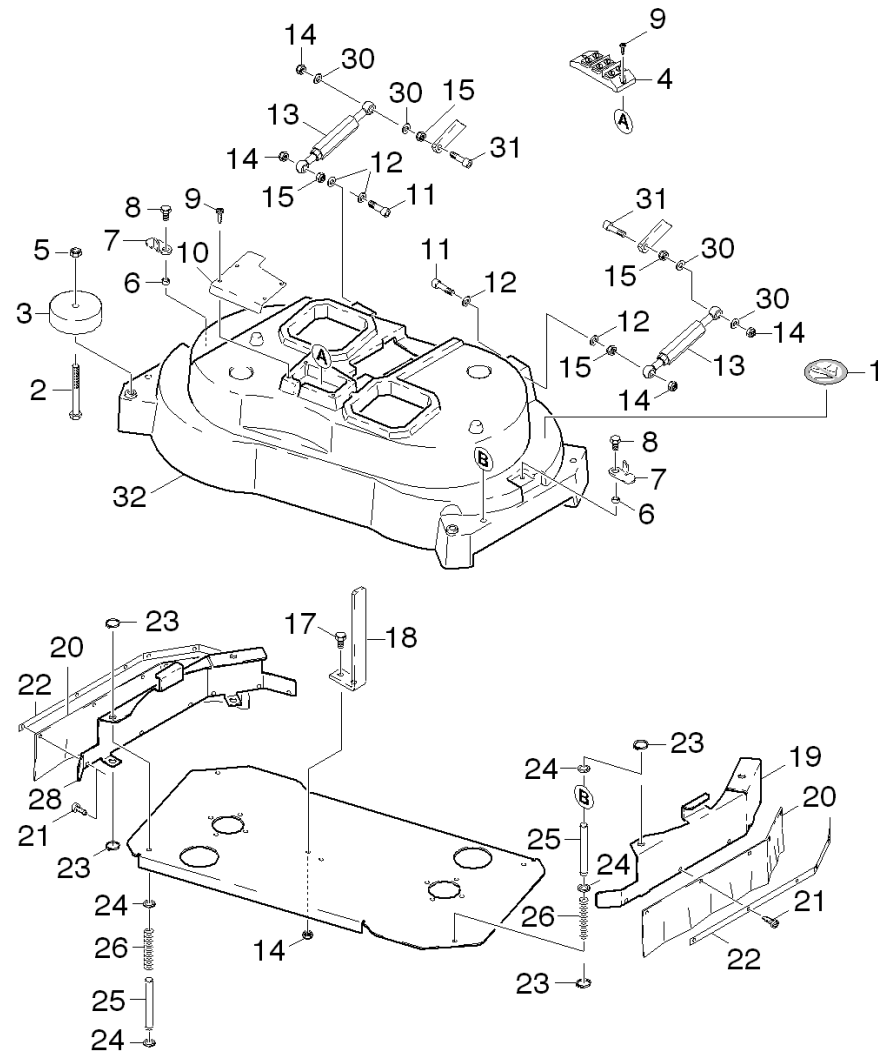
POS	DESCRIPTION ADDITIONAL INFORMATIONS	PART NO	QTY.	FROM SER.NR.	UP TO SER. NR.
1	Washer 8 -200HV-A3E ISO 7090	73120040	2		
2	Star grip VA	63212110	2		
3	Sleeve suction bar in VA	50942310	2		
4	Deflector roll suction bar	55152670	2		
5	Sleeve VA	51128100	2		
6	Plate	50072170	1		
7	CONNECTING PIECE	50319890	1		
8	SUCTION PART	47770490	1		
9	End piece right	50319910	1		
10	Hexagon nut M 6-1.4305 ISO 10511	73114220	2		
11	Washer 6 -A2 ISO 7090	73120260	4		
12	Holder roller	50443040	2		
13	Washer 5 -A2 ISO 7089	73120520	4		
14	Screw M5x10 -St-P2R (In6Rd)	73030370	4		
15	WHEEL	64354010	2		
16	Axle	51052450	2		
17	Hexagonal head screw M 6x45-A4-70 ISO 4	73045500	2		
18	End piece left	50319900	1		
19	Rubber lip set anti stripe oil resistant ANTI-STRIP	62732050	1		
19	Rubber lip set oil resistant OIL RESISTANT	62732080	1		
19	RUBBER LIP SET STANDARD	62732140	1		
20	SUCTION PART	47770550	1		
21	Add-on kit support wheels suction bar	26395610	1		
22	ADDITION WEIGHT SAUGBALKEN	51283390	1		
23	Wing screw M8x40 VA	53052960	2		

6.0 Power brush

- 6.1 Power brush Saber Glide 30
- 6.2 Holder right Saber Glide 30
- 6.3 Holder left Saber Glide 30
- 6.4 Transmission Saber Glide 30
- 6.5 ELEVATING MECHANISM
- 6.6 Power brush Saber Glide 30 SP



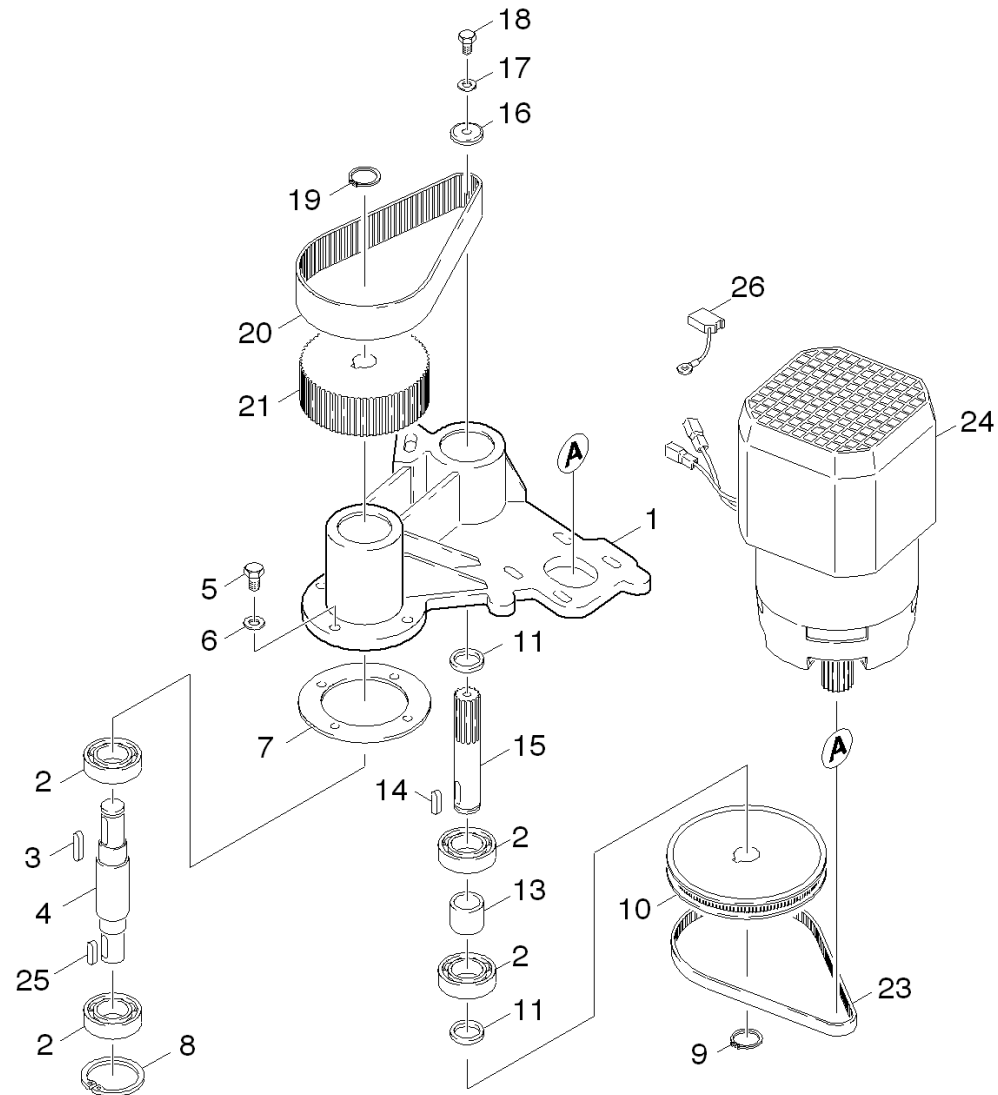
6.1 Power brush Saber Glide 30



6.1 Power brush Saber Glide 30

POS	DESCRIPTION ADDITIONAL INFORMATIONS	PART NO	QTY.	FROM SER.NR.	UP TO SER. NR.
1	DECAL	53830970	1		
2	Hexagonal head screw M12x110-A2-70 ISO	73040720	2		
3	ROLLER	55150960	2		
4	Strip terminal triple-pole	66439630	1		
5	Hexagon nut M12-04-A2E ISO 10511	73114290	2		
6	Bush	51124480	2		
7	PLATE ANHEBUNG	50073520	2		
8	Screw M6x10 -A2-70 (In6Rd)	73061910	2		
9	Screw 5x16 -A2-70 (IN6RD)	73031040	6		
10	PLATE E-SCHRANK	50073540	1		
11	Hexagonal head screw M10x80-A4-70 ISO 4	73042490	2		
12	Washer 10-A2 ISO 7093-1	73122900	4		
13	Turnbuckle complete only for replacement	41290030	2		
14	Hexagon nut M10-A2-70 ISO 7040	73115240	4		
15	Hexagon nut M10-A2-70 ISO 4032	73110660	4		
17	Cylinder head screw M10x30 -A2-70 ISO 4	73062280	2		
18	BRACKET	50445210	1		
19	Plate skirting left	50073490	1		
20	SPLASH GUARD	53946400	2		
20	Splash guard wear resistant	53947570	2		
21	Screw M5x16 -A2-70 (In6Rd)	73061820	12		
22	Plate sealing lip complete	40070380	2		
23	Lock washer 9-St-ph DIN 6799	73432050	8		
24	Washer 12-CuZn ISO 7092	73120750	8		
25	BOLT	53163490	4		
26	Pressure spring	53325040	4		
28	Plate skirting right	50073500	1		
30	Washer 10-A4 ISO 7090	73120140	4		
31	Cylinder head screw M10x40 -A2-70 ISO 4	73061200	2		
32	Cover head Disk	50672660	1		

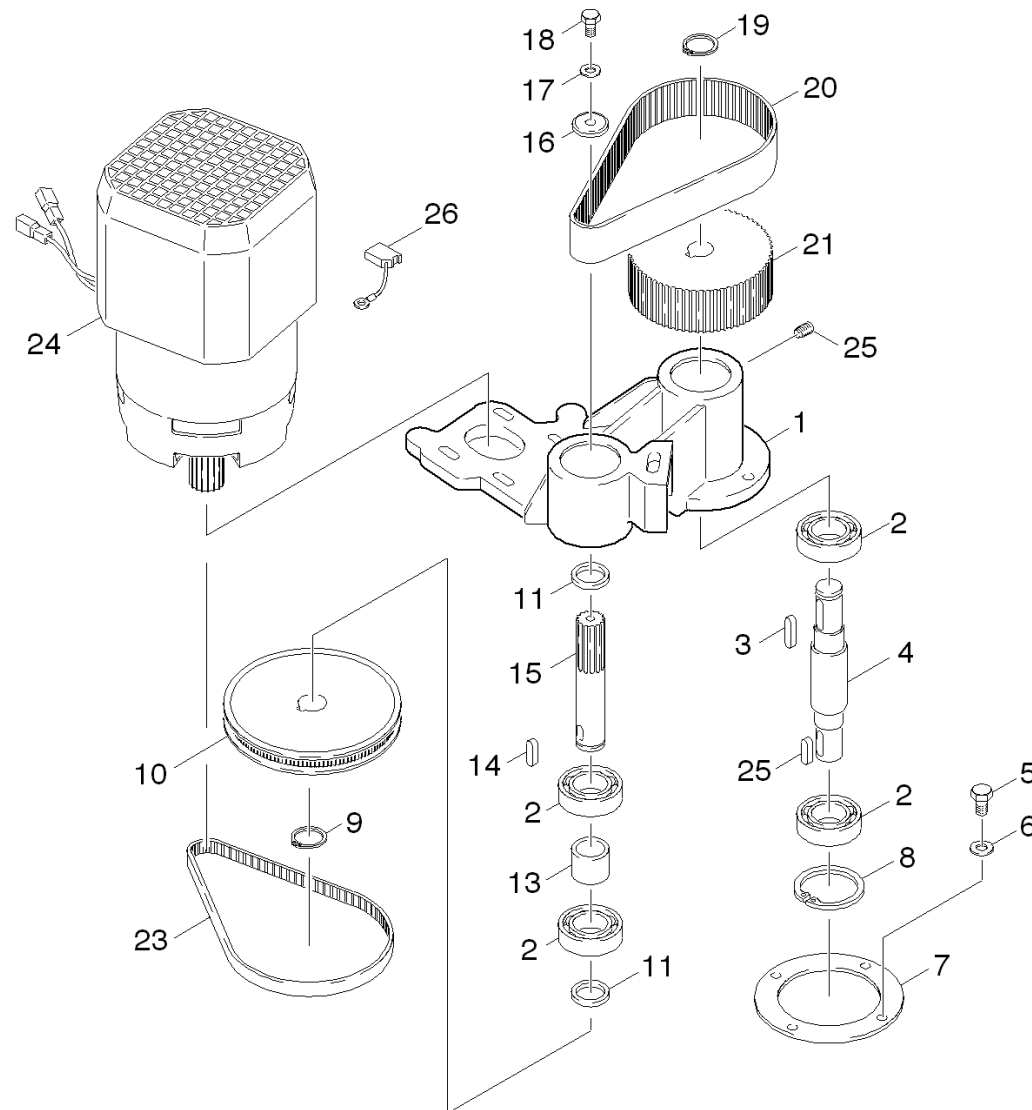
6.2 Holder right Saber Glide 30



6.2 Holder right Saber Glide 30

POS	DESCRIPTION ADDITIONAL INFORMATIONS	PART NO	QTY.	FROM SER.NR.	UP TO SER. NR.
1	Holder gear belt BD 530	50446430	1		
2	Ball bearing 6204-2RS-WAELZLAGST DIN 625	74011730	4		
3	Parallel key 6x6x28 -C45R DIN 6885-1	73180310	1		
4	SHAFT 1 RIEMENGETR.	51003780	1		
5	SCREW	73030670	4		
6	Serrated lock washer A8,4-1.4310 DIN679	73120220	4		
7	RING MOTOR	51144800	1		
8	Locking ring 47x1,75 -St-ph DIN 472	73431150	1		
9	Locking ring 20x1,2-FST-RF DIN 471	73430070	1		
10	LOCK WASHER 125Z	56253520	1		
11	Bush	51126160	2		
13	BUSH	51126190	1		
14	Parallel key 6x6x12 -C45R DIN 6885-1	73180040	1		
15	SHAFT 2 RIEMENGETRIEBE	51003790	1		
16	BORDSCHEIBE	51159130	1		
17	Washer 6 -200HV-A3E ISO 7090	73120030	1		
18	Screw M6x10 -A2-70 (In6Rd)	73061910	1		
19	Locking ring 18x1,2-Rf-St DIN 471	73430180	1		
20	TOOTHED BELT	63483840	1		
21	LOCK WASHER 63Z	56253510	1		
23	TOOTHED BELT	63483830	1		
24	DC MOTOR	66130710	1		
25	Parallel key 6x6x25 -C45R DIN 6885-1	73180300	1		
26	CARBON BRUSH SET BR-BD 530, 550 ATAS	66102390	1		

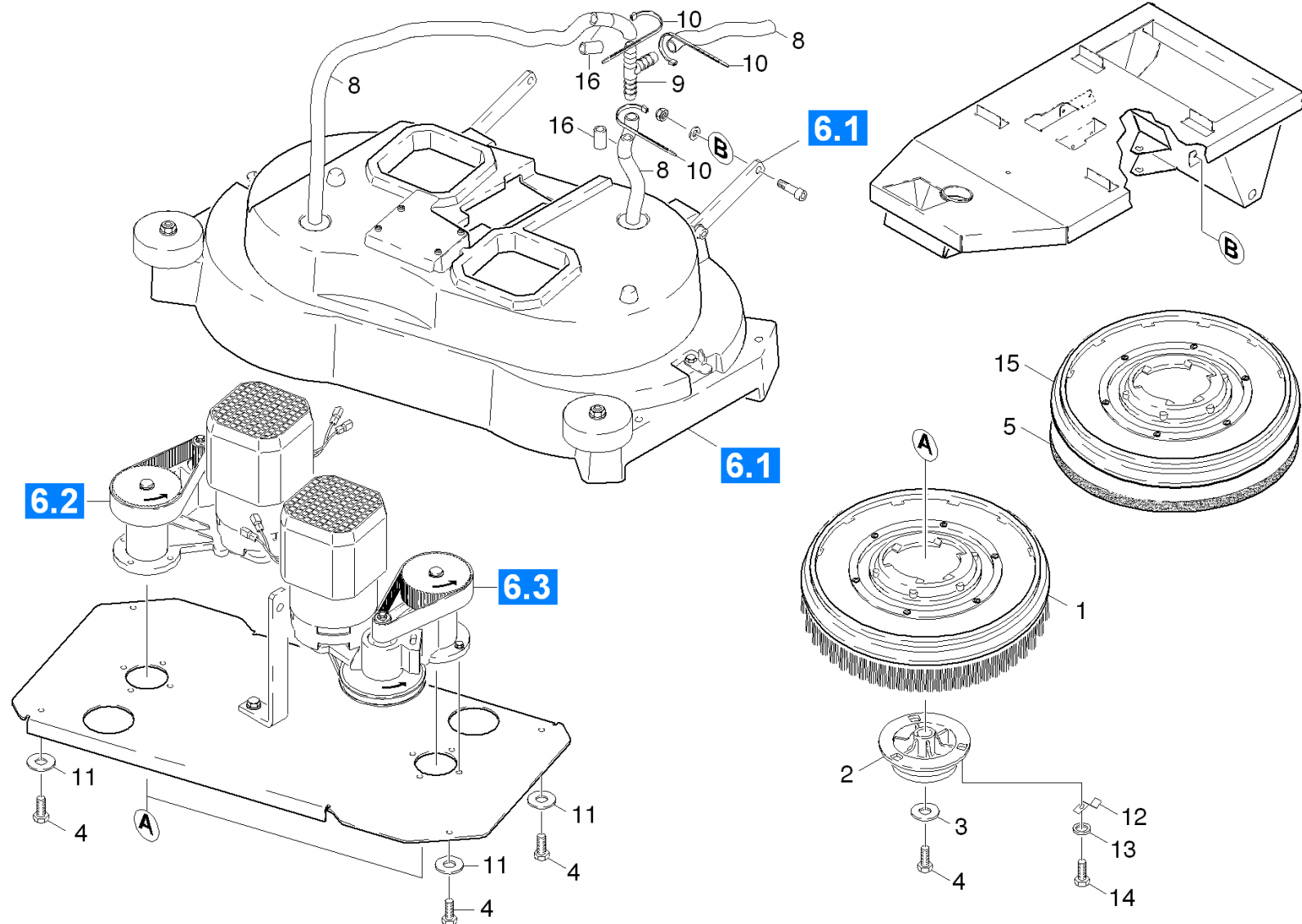
6.3 Holder left Saber Glide 30



6.3 Holder left Saber Glide 30

POS	DESCRIPTION ADDITIONAL INFORMATIONS	PART NO	QTY.	FROM SER.NR.	UP TO SER. NR.
1	Holder gear belt BD 530	50446430	1		
2	Ball bearing 6204-2RS-WAELZLAGST DIN 625	74011730	4		
3	Parallel key 6x6x28 -C45R DIN 6885-1	73180310	1		
4	SHAFT 1 RIEMENGETR.	51003780	1		
5	SCREW	73030670	4		
6	Serrated lock washer A8,4-1.4310 DIN679	73120220	4		
7	RING MOTOR	51144800	1		
8	Locking ring 47x1,75 -St-ph DIN 472	73431150	1		
9	Locking ring 20x1,2-FST-RF DIN 471	73430070	1		
10	LOCK WASHER 125Z	56253520	1		
11	Bush	51126160	2		
13	BUSH	51126190	1		
14	Parallel key 6x6x12 -C45R DIN 6885-1	73180040	1		
15	SHAFT 2 RIEMENGETRIEBE	51003790	1		
16	BORDSCHEIBE	51159130	1		
17	Washer 6 -200HV-A3E ISO 7090	73120030	1		
18	Screw M6x10 -A2-70 (In6Rd)	73061910	1		
19	Locking ring 18x1,2-Rf-St DIN 471	73430180	1		
20	TOOTHED BELT	63483840	1		
21	LOCK WASHER 63Z	56253510	1		
23	TOOTHED BELT	63483830	1		
24	DC MOTOR	66130710	1		
25	Parallel key 6x6x25 -C45R DIN 6885-1	73180300	1		
26	CARBON BRUSH SET BR-BD 530, 550 ATAS	66102390	1		

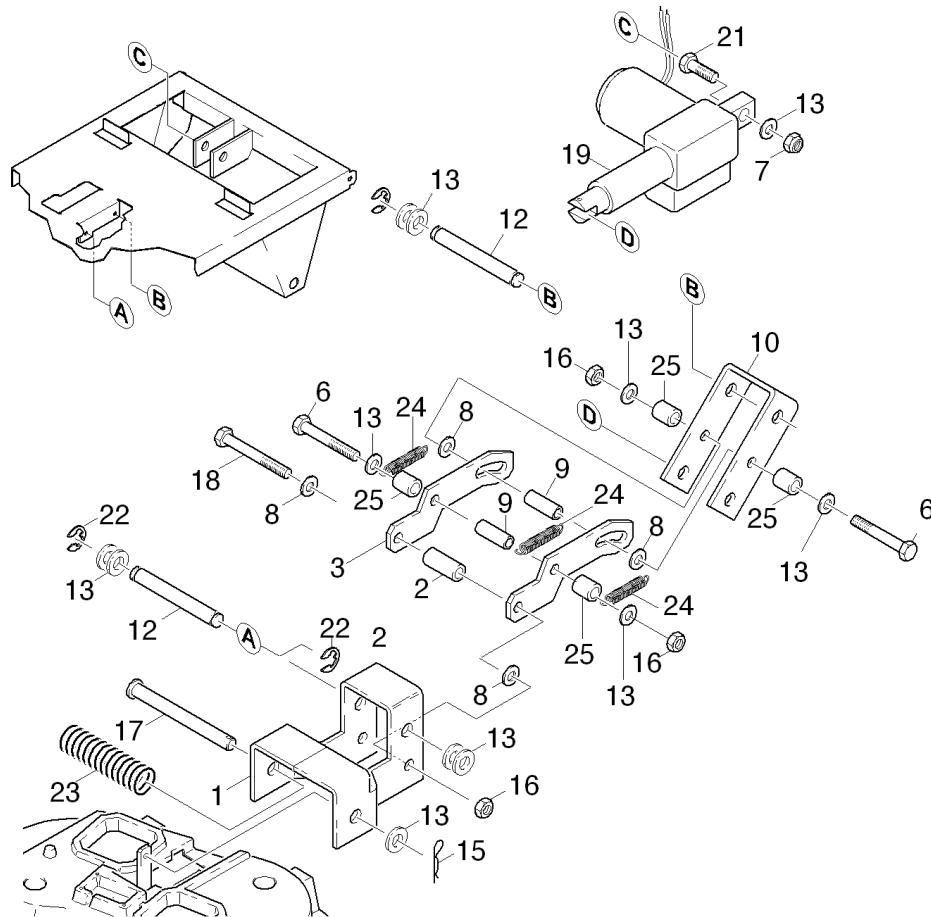
6.4 Transmission Saber Glide 30



6.4 Transmission Saber Glide 30

POS	DESCRIPTION ADDITIONAL INFORMATIONS	PART NO	QTY.	FROM SER.NR.	UP TO SER. NR.
1	Disc brush black (old colour grey)	69064910	2		
1	BRUSH NATURE	69064920	2		
1	Disc brush white (old colour black)	69067520	2		
2	Flange	51222930	2		
3	Washer 8 -A2 ISO 7094	73122680	2		
4	Hexagonal head screw M8x16-A4-70 ISO 40	73045380	6		
5	POLISHING PAD SCHWARZ	63697890	2		
5	POLISHING PAD GRUEN	63697900	2		
5	POLISHING PAD ROT	63697910	2		
8	Hose DN12,5 TO ORDER AS CUT GOODS	63882480	1		
9	T-Hose nozzle 14	63889080	1		
10	HOLDER	66414740	3		
11	Washer 8 -CuZn ISO 7092	73120730	4		
12	Plate spring	53370330	6		
13	Serrated lock washer A5,3-1.4310 DIN 67	73120410	6		
14	Screw M5x6 -A2-70 (In6Rd)	73062130	6		
15	Disk pad	69064930	2		
16	Sleeve	51161060	2		

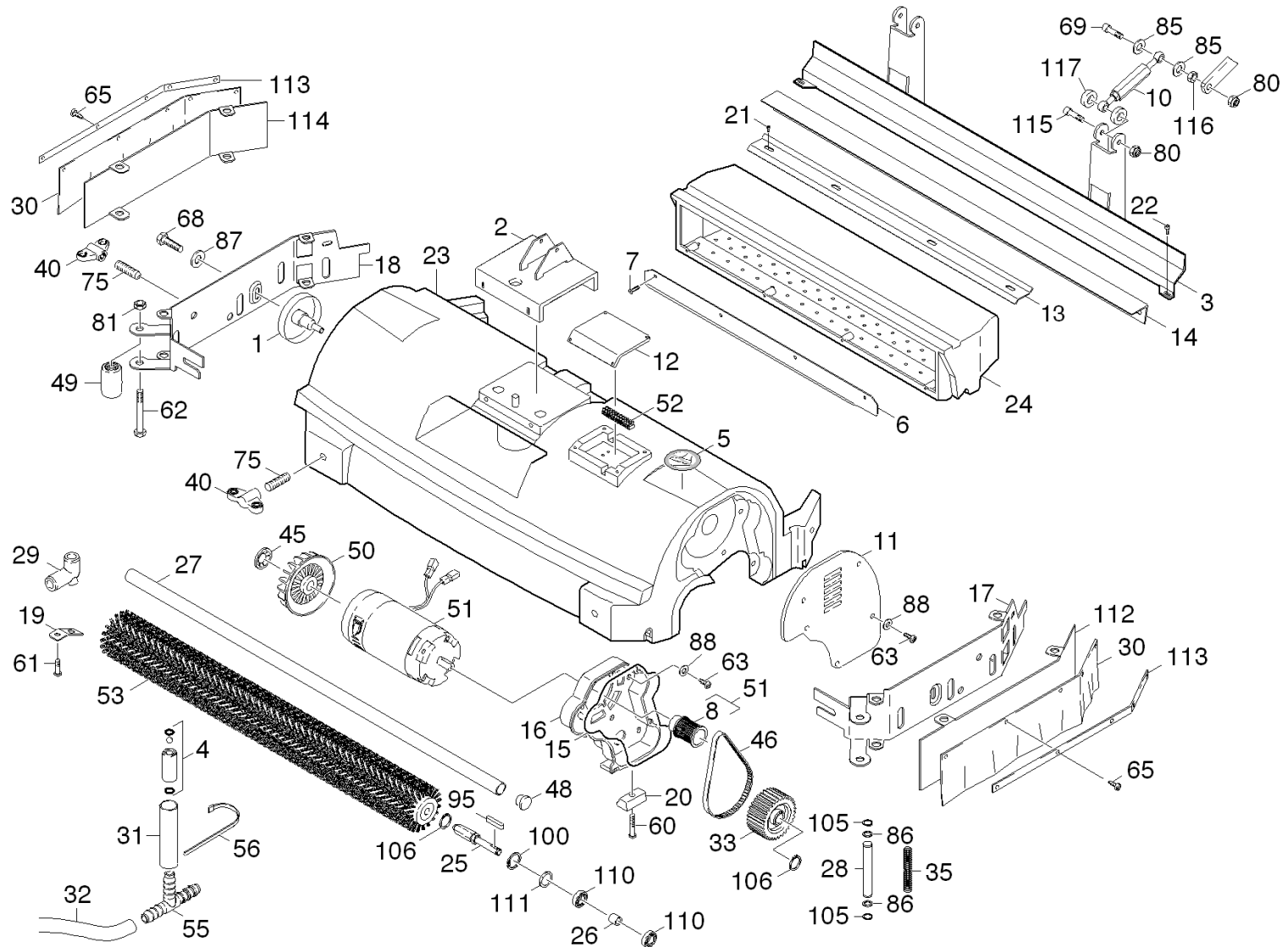
6.5 ELEVATING MECHANISM



6.5 ELEVATING MECHANISM

POS	DESCRIPTION ADDITIONAL INFORMATIONS	PART NO	QTY.	FROM SER.NR.	UP TO SER. NR.
1	Sheet metal component rocker	50595270	1		
2	PIPE	50288940	1		
3	PLATE SCHWINGE	50073560	2		
6	Hexagonal head screw M 8X100-A4-70 ISO	73040330	2		
7	Hexagon nut M10 -04-A2E ISO 10511	73114230	5		
8	Washer 8 -200HV-A3E ISO 7090	73120040	14		
9	Sleeve	51161040	2		
10	PLATE HALTER	50595250	1		
12	Bolt	53170220	2		
13	Washer 10-200HV-A3E ISO 7090	73120050	13		
15	Spring clip 2,5-DR-vz DIN11024	73164540	1		
16	Hexagon nut M8 -04-A2E ISO 10511	73114270	9		
17	Bolt B10,0x100-ST-A2E ISO 2341	73162150	1		
18	Hexagonal head screw M8x65-8.8-A2E ISO	73044020	2		
19	Hoisting motor 24V 100mm	66119830	1		
21	Hexagonal head screw M10x50-A2-70 ISO 4	73045140	1		
22	Lock washer 8 -St-ph DIN 6799	73433020	4		
23	Pressure spring	53325030	1		
24	EXTENSION SPRING	63302090	3		
25	SLEEVE	51109980	4		

6.6 Power brush Saber Glide 30 SP



6.6 Power brush Saber Glide 30 SP

POS	DESCRIPTION ADDITIONAL INFORMATIONS	PART NO	QTY.	FROM SER.NR.	UP TO SER. NR.
1	Sheet metal component	40386780	2		
2	Brush beam	40581150	1		
3	Brush beam	40581200	1		
4	Ventilating valve water pump	45805980	1		
5	DECAL	53830970	1		
6	Angle plate BR 75/140 R	50091510	1		
7	Countersunk screw 4x16 -10.9-R2R (In6Rd)	73031250	4		
8	Belt pulley 24 Z	56253990	1		
10	Turnbuckle complete only for replacement	41290030	2		
11	Cover plate	50066180	2		
12	Plate electric control box	50074230	1		
13	Plate box	50074670	2		
14	Plate box	50074660	1		
15	PROFILE CARD TO ORDER AS CUT GOODS	62730370	1		
16	FIXING PLATE	50445100	2		
17	Holder-up left	50445460	1		
18	Holder-up right	50445450	1		
19	Holder rubber bushing rubber	50445470	1		
20	Rocker head BR	50560110	2		
21	Screw 5x16 -A2-70 (IN6RD)	73031040	4		
22	Screw M 6x 12-A2-70 (In6Rd)	73061920	6		
23	Brush housing	50609060	1		
24	Tank refuse BR 75/140 R	50707310	1		
25	Driveshaft	51003740	2		
26	Sleeve	51108990	2		
27	PIPE	51282920	1		
28	BOLT	53163490	4		
29	BUSHING	53790270	1		
30	SPLASH GUARD	53946400	2		
30	Splash guard wear resistant	53947570	2		
31	HOSE	54401460	1		

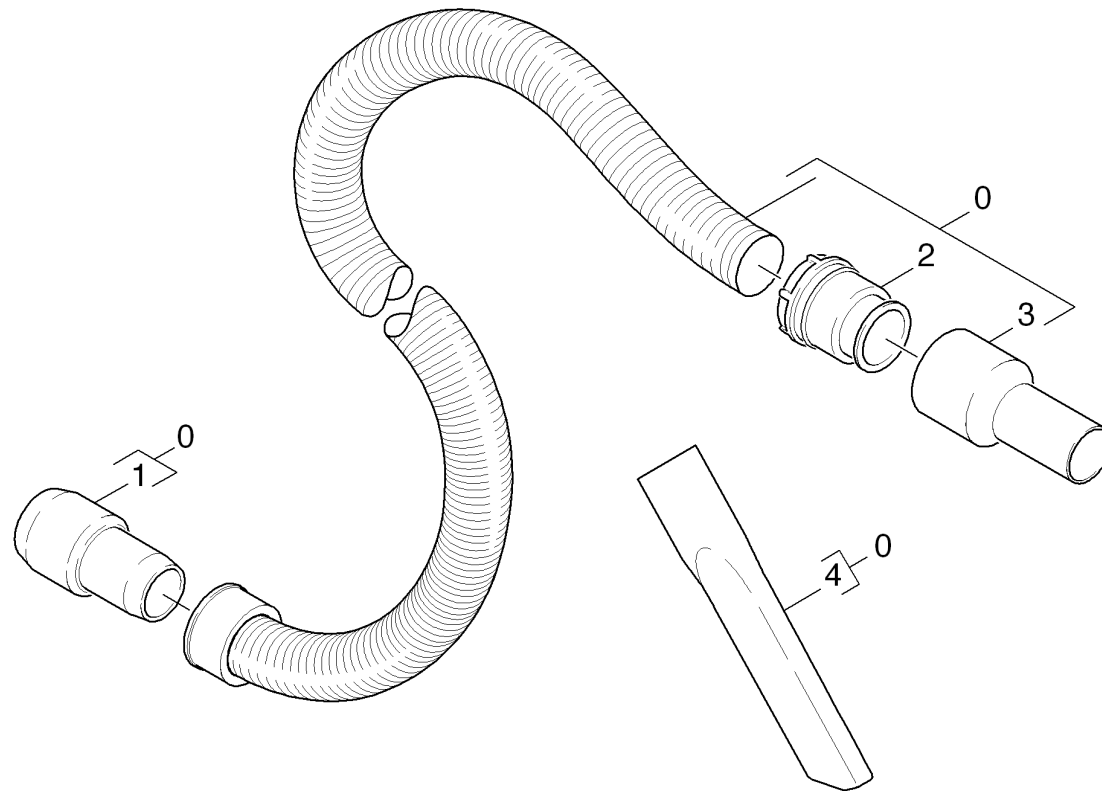
6.6 Power brush Saber Glide 30 SP

POS	DESCRIPTION ADDITIONAL INFORMATIONS	PART NO	QTY.	FROM SER.NR.	UP TO SER. NR.
32	HOSE	54401470	2		
33	PULLEY 64 Z	56253980	2		
35	Pressure spring	53325040	4		
40	Wing nut M 8	63101280	4		
45	QUICK FASTENER BR 450	63431490	2		
46	TOOTHED BELT	63483820	2		
48	DRAIN PLUG	63680680	1		
49	ROLLER D45	64353410	2		
50	Blower wheel	66130250	2		
51	MOTOR KPL.	46235980	2		
52	Strip terminal	66438400	1		
53	Roller brush green (old colour grey)	69064940	2		
53	Roller brush orange (old colour red)	69064950	2		
53	Roller brush white (old colour black)	69064960	2		
53	Roller brush black (old colour grey)	69064970	2		
55	T-Hose nozzle 14	63889080	1		
56	HOLDER	66414740	5		
60	Screw M5x10 -St-P2R (In6Rd)	73030370	10		
61	Screw 5x16 -A2-70 (IN6RD)	73031040	15		
62	Hexagonal head screw M12x100-A4-70 ISO 4	73040400	2		
63	Screw M 6x16-A2-70 DIN 7984	73060310	16		
65	Screw M5x16 -A2-70 (In6Rd)	73061820	10		
68	Screw M 8x16-A2-70 DIN 7984	73062180	2		
69	Cylinder head screw M10x30 -A2-70 ISO 4	73062280	2		
75	Threaded pin M 8 x 30-A2-21H ISO 4029	73073560	4		
80	Hexagon nut M10 -04-A2E ISO 10511	73114230	4		
81	Hexagon nut M12-04-A2E ISO 10511	73114290	2		
85	Washer 10-200HV-A3E ISO 7090	73120050	6		
86	Washer 12-CuZn ISO 7092	73120750	8		
87	Washer 8 -A2 ISO 7093-1	73122890	6		
88	Washer 6 -A2 ISO 7093-1	73122920	10		
95	Parallel key 4x4x16-C45R DIN 6885	73180070	2		

6.6 Power brush Saber Glide 30 SP

POS	DESCRIPTION ADDITIONAL INFORMATIONS	PART NO	QTY.	FROM SER.NR.	UP TO SER. NR.
100	Locking ring 15x1-FST-RF DIN 471	73430150	2		
105	Lock washer 9-St-ph DIN 6799	73432050	8		
106	Lock washer 15 -A2 DIN 6799	73433040	2		
110	Ball bearing 6002-2RS -WAE LZLAGST DIN 62	74011150	4		
111	Joint ring Nilosring	63631580	1		
112	Sheet metal component apron left	50596170	1		
113	PLATE DICHTL. KPL	40070370	2		
114	Sheet metal component apron right	50596160	1		
115	Cylinder head screw M10x40 -A2-70 ISO 4	73061200	2		
116	Hexagon nut M10 -8-A3E ISO 4032	73110060	2		
117	Washer 10-100HV DIN 7989-1	73120800	4		

7.0 Suction hose

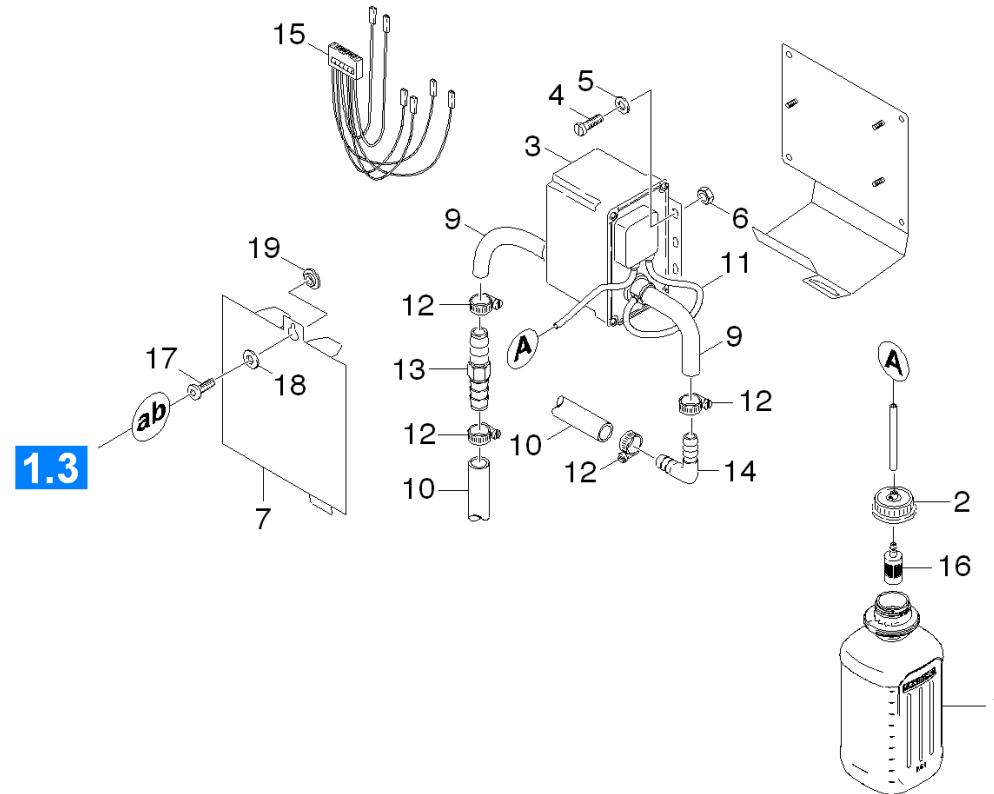


7.0 Suction hose

POS	DESCRIPTION	PART NO	QTY.	FROM SER.NR.	UP TO SER. NR.
	ADDITIONAL INFORMATIONS				
0	Suction hose accessories	44440150	1		
1	ADAPTER	54530550	1		
2	Threaded ring DN32	69020310	1		
3	BUSHING	69020300	1		
4	Crevice nozzle DN35	69062400	1		

8.0 Metering unit chemistry

2.641-631.0

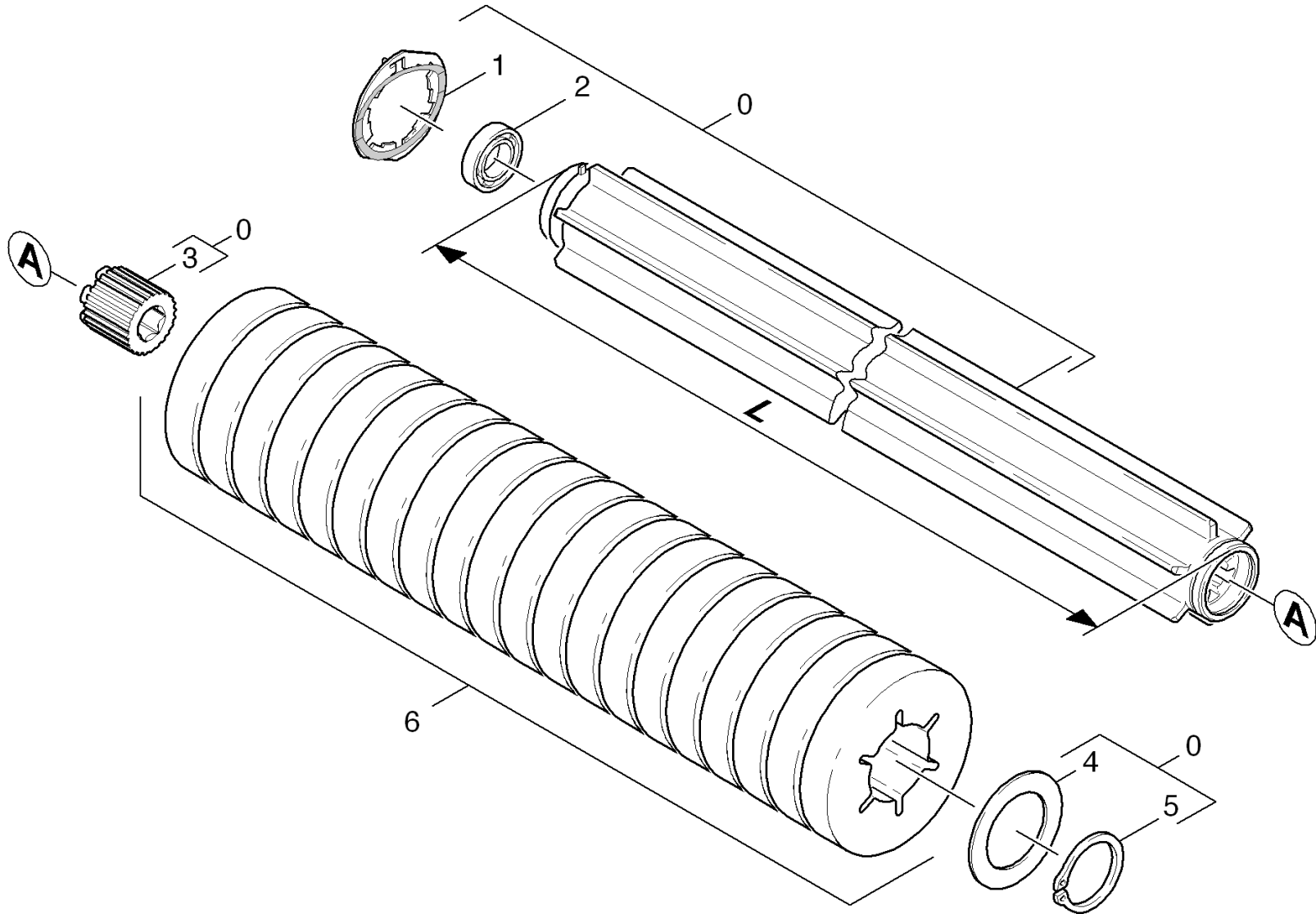


8.0 Metering unit chemistry

2.641-631.0

POS	DESCRIPTION ADDITIONAL INFORMATIONS	PART NO	QTY.	FROM SER.NR.	UP TO SER. NR.
1	Bottle PE 2,5 L	63944910	2		
2	Cover cleaning agents	40606250	1		
3	Dosing pump chemistry	64701790	1		
4	Screw M5x16 -8.8-R2R (In6Rd)	73060770	3		
5	Washer 5-200HV-A3E ISO 7090	73120020	3		
6	Hexagon nut M 5-04-A2E ISO 10511	73114210	3		
7	Covering cap chemistry	50089430	1		
9	Rubber bushing rubber EPDM	50350390	2		
10	Spiral hose	63908920	1		
	TO ORDER AS CUT GOODS				
11	Hose DN 5	63882160	1		
	TO ORDER AS CUT GOODS				
12	HOSE BAND CLIP	63885450	4		
13	Rubber bushing 14	63887150	1		
14	Elbow connector 1/2"	63886280	1		
15	Cable harness switch control panel	48224210	1		
16	Filter with weight	57316090	1		
17	Screw M6x12 -8.8-R2R (In6Rd)	73060890	1		
18	Washer 6-KUNSTSTOFF ISO7089	73120270	1		
19	Sleeve insulating M6	63921600	1		

9.0 Roll pad



9.0 Roll pad

POS	DESCRIPTION ADDITIONAL INFORMATIONS	PART NO	QTY.	FROM SER.NR.	UP TO SER. NR.
0	REVERSING ROLLING MILL PAD (L=700mm)	47623160	1		
1	Washer closure	41150040	1		
2	Ball bearing 6302-2RS- DIN 6	74010050	1		
3	Bush hexagon 19mm	51127360	1		
4	RONDE	50052670	1		
5	Locking ring 50x2-FST-RF DIN 471	73430370	1		
6	105MM WHITE PAD	63693890	1		
6	PAD YELLOW 105 20PCS	63694540	1		
6	PAD GREEN 20PCS	63694550	1		
6	PAD RED 105 20PCS	63694560	1		