

## **Spare parts list**

**(15151580) Saber Compact 16**

**(15152080) Saber Compact 16 SP**



# CONTENT LIST

## 1.0 Tank

### 1.1 Tank

### 1.2 Individual parts

## 2.0 Frame

### 2.1 Frame Compact 16 SP

### 2.2 Frame Compact 16

## 3.0 Individual parts

## 4.0 Electricics

### 4.1 Control system Compact 16

### 4.2 Electric equipment Compact 16

### 4.3 Electricics Compact 16 SP

## 5.0 Brush-head

### 5.1 Brush-head Compact 16 SP

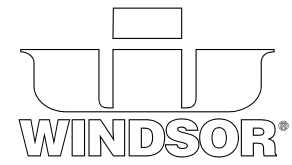
### 5.2 Brush-head Compact 16

## 6.0 Suction bar

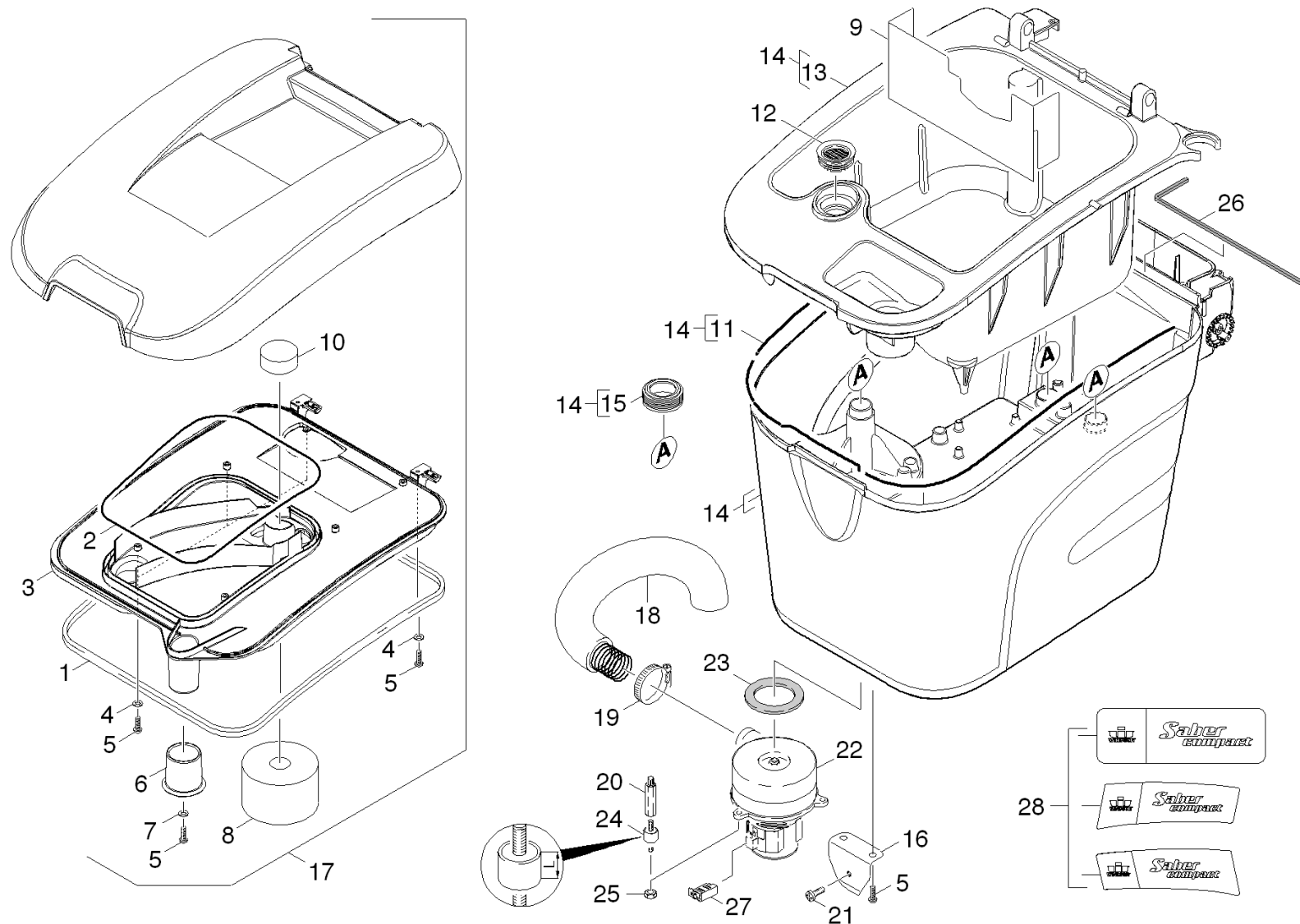
## 1.0 Tank

1.1 Tank

1.2 Individual parts



## 1.1 Tank



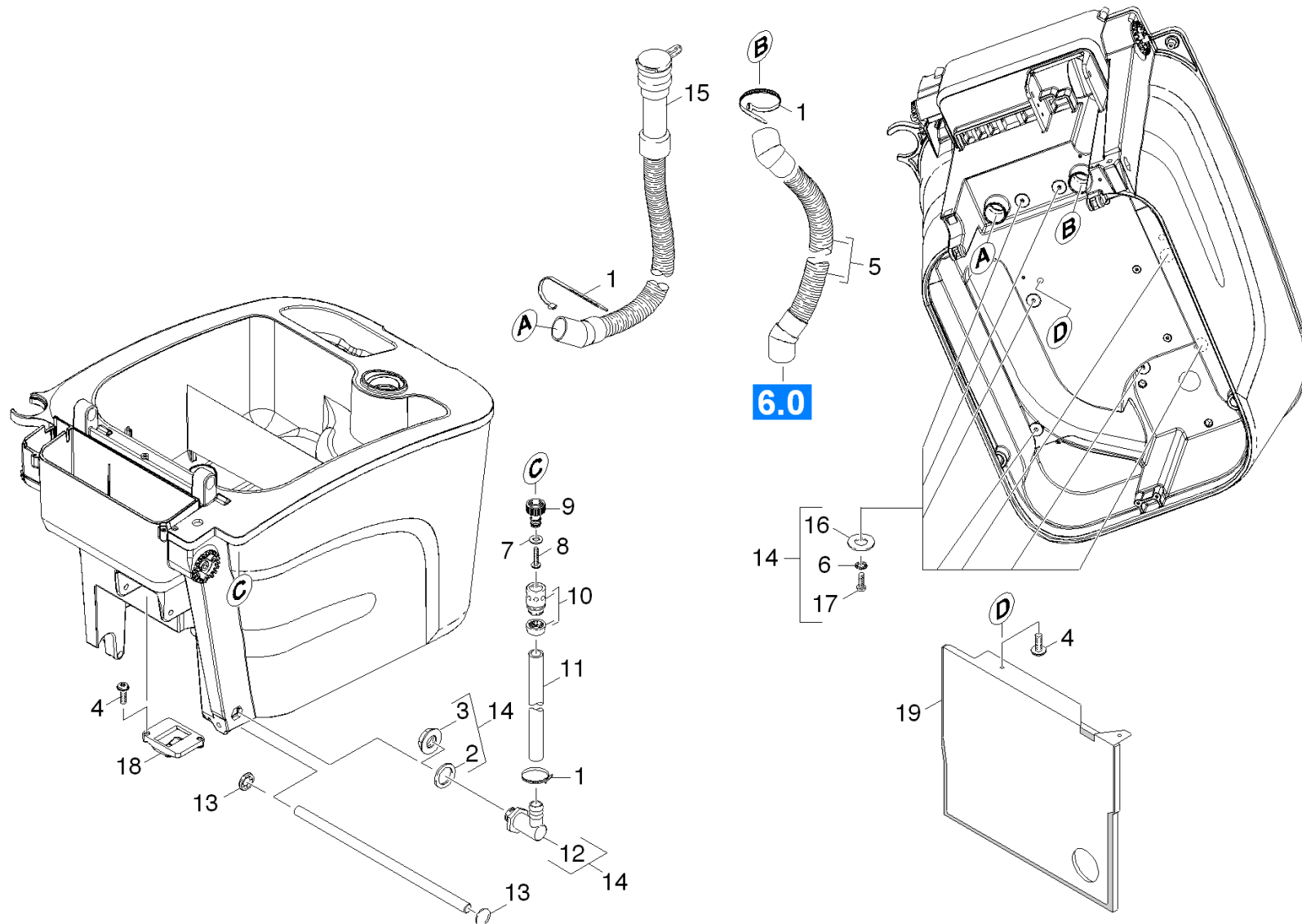
## 1.1 Tank

POS	DESCRIPTION ADDITIONAL INFORMATIONS	PART NO	QTY.	FROM SER.NR.	UP TO SER. NR.
1	Sealing profile <a href="#">TO ORDER AS CUT GOODS</a>	63660430	1		
2	Seal string cellular rubber <a href="#">TO ORDER AS CUT GOODS</a>	62731960	1		
3	Covering cap replacement	40320120	1		
4	Washer 5 -A2 ISO 7089	73120520	8		
5	Screw 5x25 -A2-70-bk (In6Rd)	73031050	11		
6	Form seal BR BD	53636860	1		
7	Washer 5 -A2 ISO 7093-1	73122820	1		
8	Float	55850420	1		
9	Splash plate	50576870	1		
10	Plug vacuum channel	50326640	1		
11	Seal cellular rubber D6 <a href="#">TO ORDER AS CUT GOODS</a>	62731040	1		
12	Joint ring fluffing strainer	55152660	1		
13	Tank waste water	50711570	1		
14	Tank complete	30710880	1		
15	Joint ring FW-SW	53636470	3		
16	Plate closure tank	50081640	1		
17	Cover replacement	40638170	1		
18	SUCTION TUBE <a href="#">//1.515-158.0</a>	63889490	1		
18	SOUNDPROOF HOSE <a href="#">//1.515-208.0</a>	63902150	1		
19	HOSE BAND CLIP	63887130	1		
20	BOLT <a href="#">//1.515-158.0</a>	53080560	3		
20	DOWEL <a href="#">//1.515-208.0</a>	53171250	3		
21	Screw M6x16 -A2-70 (In6Rd)	73061930	1		
22	Vacuum motor 24V 420W <a href="#">//1.515-208.0</a>	64900000	1		

## 1.1 Tank

POS	DESCRIPTION ADDITIONAL INFORMATIONS	PART NO	QTY.	FROM SER.NR.	UP TO SER. NR.
22	Vacuum motor 120V //1.515-158.0	64901620	1		
23	Joint ring //1.515-208.0	53635740	1		
24	Rubber buffer 2xM6-D20 H15 L=15mm	63390210	3		
24	Rubber buffer 2xM6 D20 H12 L=12mm	63392410	1		
25	Hexagon nut M 6-8-A2E EN 1661	73115410	3		
26	Seal L shape	53636690	1		
27	Carbon brush set //1.515-208.0	64902300	1		
27	CARBON BRUSH SET //1.515-158.0	66102210	1		
28	Set label replacement	33910010	1		

## 1.2 Individual parts





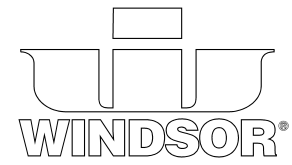
## 1.2 Individual parts

POS	DESCRIPTION ADDITIONAL INFORMATIONS	PART NO	QTY.	FROM SER.NR.	UP TO SER. NR.
1	HOLDER	66414740	3		
2	Seal D34	55152530	1		
3	Sleeve discharge tank	51310660	1		
4	Screw 5x16 -10.9-P2R (K-In6Rd)	73031070	4		
5	Suction hose OIL RESISTANT	63914740	1		
6	Serrated lock washer A5,3-1.4310 DIN 67	73120410	7		
7	Washer 5 -A2 ISO 7093-1	73122820	1		
8	Screw 5x40 -A2-70 (IN6Rd)	73031180	1		
9	Connection without seal 3/4"	63914680	1		
10	Hose coupling	63884820	1		
11	Hose silicon	63913720	1		
12	Angle bushing G1-2	63951630	1		
13	FITTING	63431270	2		
14	Tank complete	30710880	1		
15	Drain hose OIL RESISTANT	63913070	1		
16	Joint ring D14	53636480	7		
17	Screw 5x30 -10.9-R2R (K-In6Rd)	73030860	8		
18	Notch lever suction bar	50328260	1		
19	Plate replacement sound insulation //1.515-158.0	40080080	1		

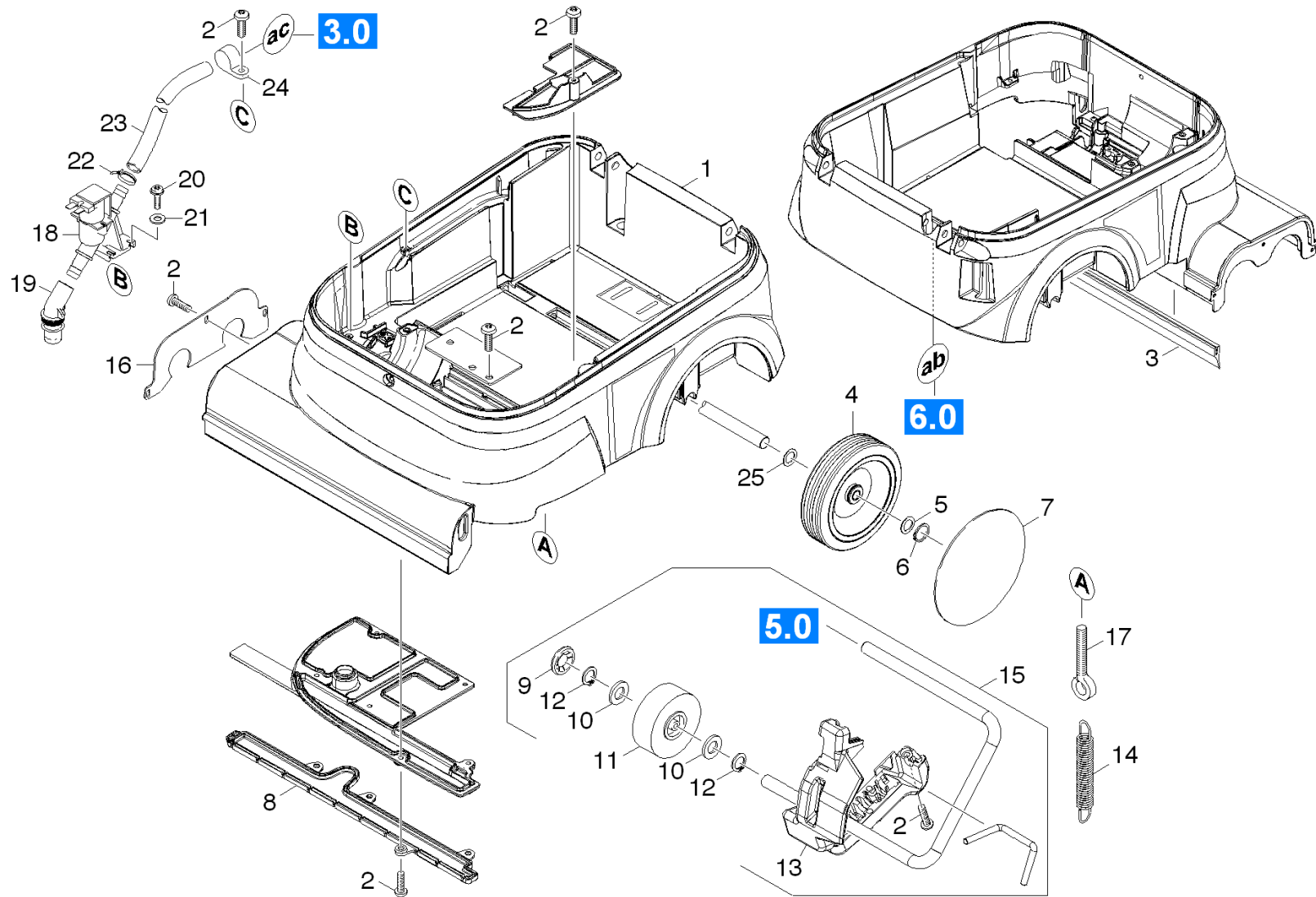
## 2.0 Frame

2.1 Frame Compact 16 SP

2.2 Frame Compact 16



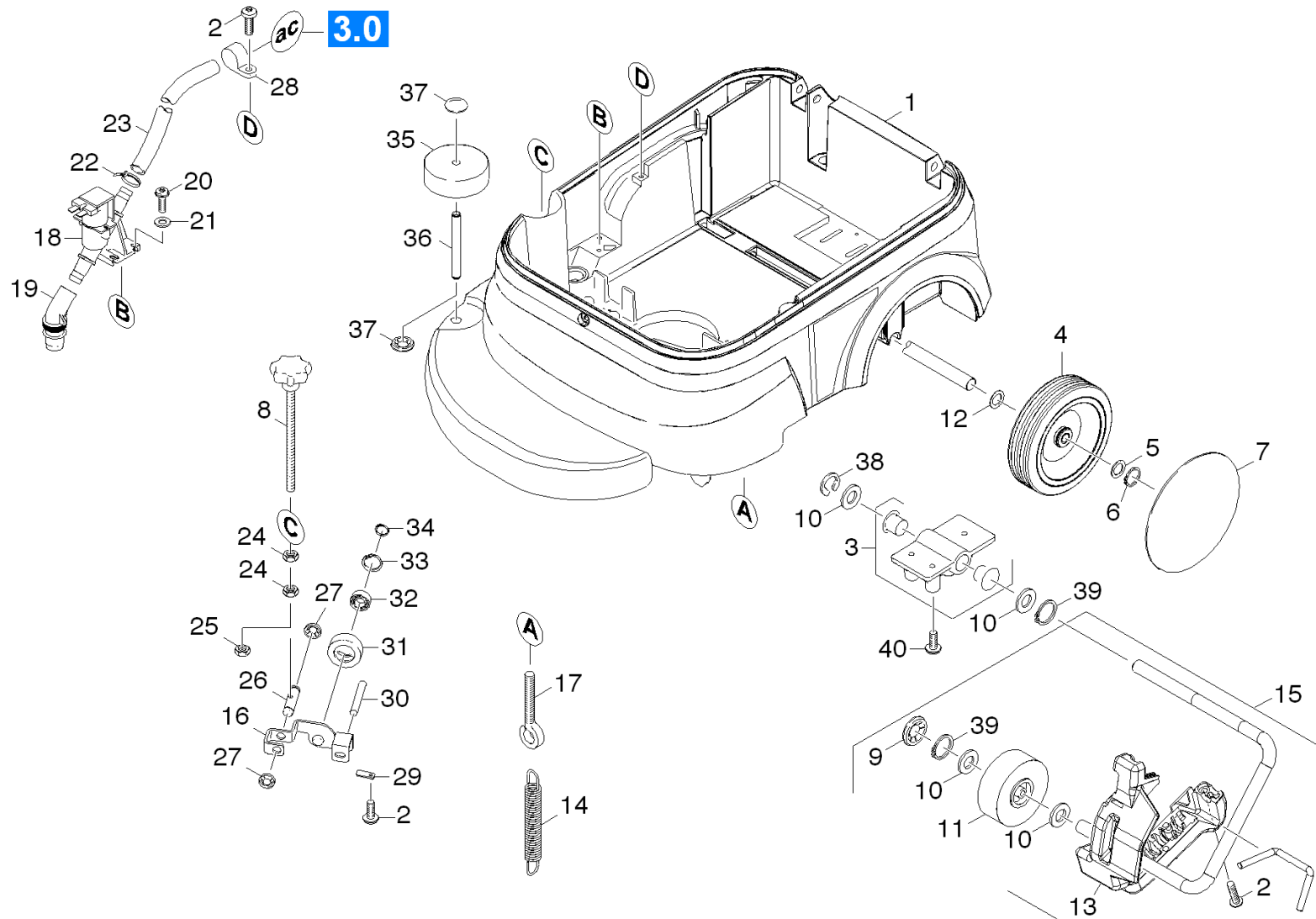
## 2.1 Frame Compact 16 SP



## 2.1 Frame Compact 16 SP

POS	DESCRIPTION ADDITIONAL INFORMATIONS	PART NO	QTY.	FROM SER.NR.	UP TO SER. NR.
1	Frame BR40/25C	50502430	1		
2	Screw 5x20 -A2-70 (In6Rd)	73032120	15		
3	Splash guard brush	69512550	1		
4	Wheel D200	64353560	2		
5	WASHER	51156080	2		
6	Locking ring 15x1-FST-PHR DIN 471	73430040	2		
7	Wheel cab neutrally	64353010	2		
8	Gutter	50326540	1		
9	QUICK FASTENER	63432240	1		
10	Washer 12-A2 ISO 7090	73120540	2		
11	Roller D60	55152800	1		
12	Locking ring 12x1-Rf-St DIN 471	73430030	2		
13	Half shell replacement	47623880	1		
14	Extension spring	63302410	1		
15	Carriage replacement	40440670	1		
16	Plate bearing brush	50081590	1		
17	Eye screw zinc-plated M5X15	69512560	1		
18	Solenoid valve 24V	64729970	1		
19	RUBBER BUSHING	53790280	1		
20	Screw 4x16 -A2-70 (In6Rd)	73030260	2		
21	Washer 4-A2 ISO 7093-1	73122930	2		
22	HOLDER	66414740	1		
23	Spiral hose TO ORDER AS CUT GOODS	63908920	1		
24	Hose clip	63738760	1		
25	Shim ring 15x21x0,5-A2 DIN 988	73430650	2		

## 2.2 Frame Compact 16



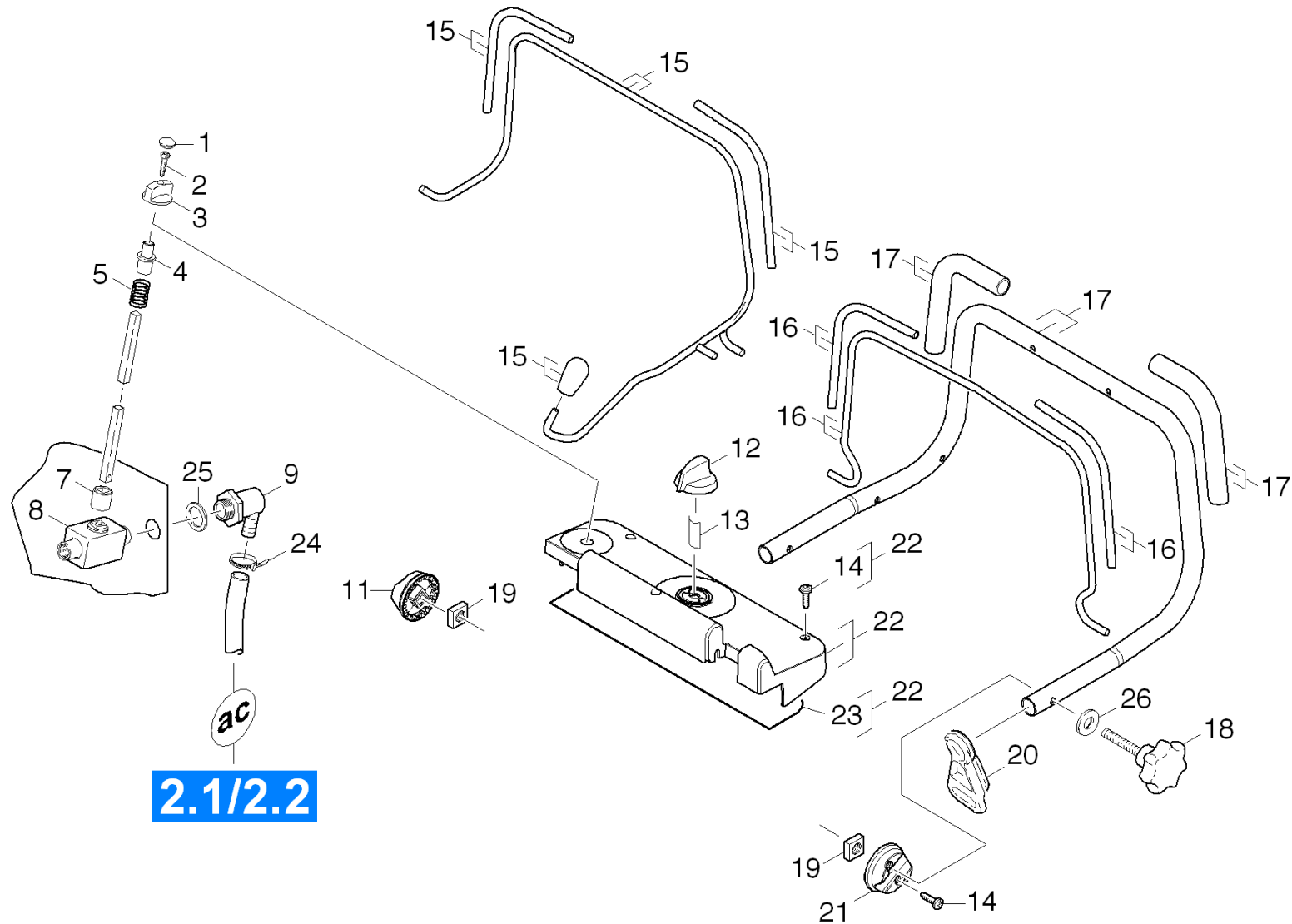
## 2.2 Frame Compact 16

POS	DESCRIPTION ADDITIONAL INFORMATIONS	PART NO	QTY.	FROM SER.NR.	UP TO SER. NR.
1	Frame BD	50502610	1		
2	Screw 5x20 -A2-70 (In6Rd)	73032120	8		
3	Bearing support replacement	42510470	1		
4	Wheel D200	64353560	2		
5	WASHER	51156080	2		
6	Locking ring 15x1-FST-PHR DIN 471	73430040	2		
7	Wheel cab neutrally	64353010	2		
8	Star grip	63211890	1		
9	QUICK FASTENER	63432240	1		
10	Washer 12-A2 ISO 7090	73120540	4		
11	Roller D60	55152800	1		
12	Shim ring 15x21x0,5-A2 DIN 988	73430650	2		
13	Half shell replacement	47623880	1		
14	Extension spring	63302410	1		
15	Carriage complete BD	40440630	1		
16	Lever pressure roller	40440680	1		
17	Eye screw zinc-plated M5X15	69512560	1		
18	Solenoid valve replacement	44720020	1		
19	RUBBER BUSHING	53790280	1		
20	Screw 4x16 -A2-70 (In6Rd)	73030260	2		
21	Washer 4-A2 ISO 7093-1	73122930	2		
22	HOLDER	66414740	1		
23	Spiral hose TO ORDER AS CUT GOODS	63908920	1		
24	Hexagon nut M 8-A2-70 ISO 4032	73110680	2		
25	Hexagon nut M 8-1.4305 ISO 10511	73114320	1		
26	Axle	51055650	1		
27	Lock washer 12-2.1030 DIN 6799	73432060	2		
28	Hose clip	63738760	1		
29	Retainer clip pressure roller	50049900	2		
30	Axle pressure roller	51055640	1		
31	ROLLER	54350010	1		

## 2.2 Frame Compact 16

POS	DESCRIPTION ADDITIONAL INFORMATIONS	PART NO	QTY.	FROM SER.NR.	UP TO SER. NR.
32	Ball bearing 6202-2RS -Wälzl.St DIN 625	74011280	1		
33	Locking ring 35x1,5-FST-BR DIN 472	73431670	1		
34	Locking ring 15x1-FST-RF DIN 471	73430150	1		
35	Deflector roll	55152750	1		
36	Axle deflector roll	51055660	1		
37	QUICK FASTENER	63432240	2		
38	Lock washer 10-FST-A2E DIN 6799	73430470	1		
39	Locking ring 12x1-Rf-St DIN 471	73430030	2		
40	Screw 6x25 -10.9-A2R (In6Rd)	73031130	3		

### 3.0 Individual parts





### 3.0 Individual parts

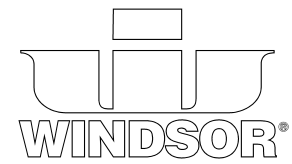
POS	DESCRIPTION ADDITIONAL INFORMATIONS	PART NO	QTY.	FROM SER.NR.	UP TO SER. NR.
1	Ornamental hub cap D10/D12	63680760	1		
2	Sheet metal screw ST3,5X25-ST-A2R (IN6R	73030650	1		
3	Handhold	53215090	1		
4	Coupler	54700340	1		
5	HELICAL SPRING	53322900	1		
7	Coupler	54700330	1		
8	BALL VALVE BR700	64122890	1		
9	Angle bushing G3-8	63951620	1		
11	Fixing strap right	50327540	1		
12	Handhold operational concept	53217380	1		
13	SPRING CLIP	63130140	1		
14	Screw 5x20 -10.9-R2R (In6Rd)	73031080	5		
15	Strap replacement Bp <a href="#">//1.515-208.0</a>	40341380	1		
16	Strap replacement Bp <a href="#">//1.515-158.0</a>	40341330	1		
17	Strap replacement <a href="#">//1.515-158.0</a>	40341320	1		
17	Strap handhold replacement <a href="#">//1.515-208.0</a>	40341370	1		
18	HANDLE	63211790	2		
19	Square nut M8 -05-A2E DIN 557	73115700	2		
20	PULL RELIEF <a href="#">//1.515-158.0</a>	66417760	1		
21	Fixing strap left	50327550	1		
22	Covering cap replacement	40320260	1		
23	Seal control panel	53620090	1		
24	HOLDER	66414740	1		
25	Joint ring	55152740	1		
26	Washer 8-200HV-A2E ISO7093-1	73122770	2		

## 4.0 Electricics

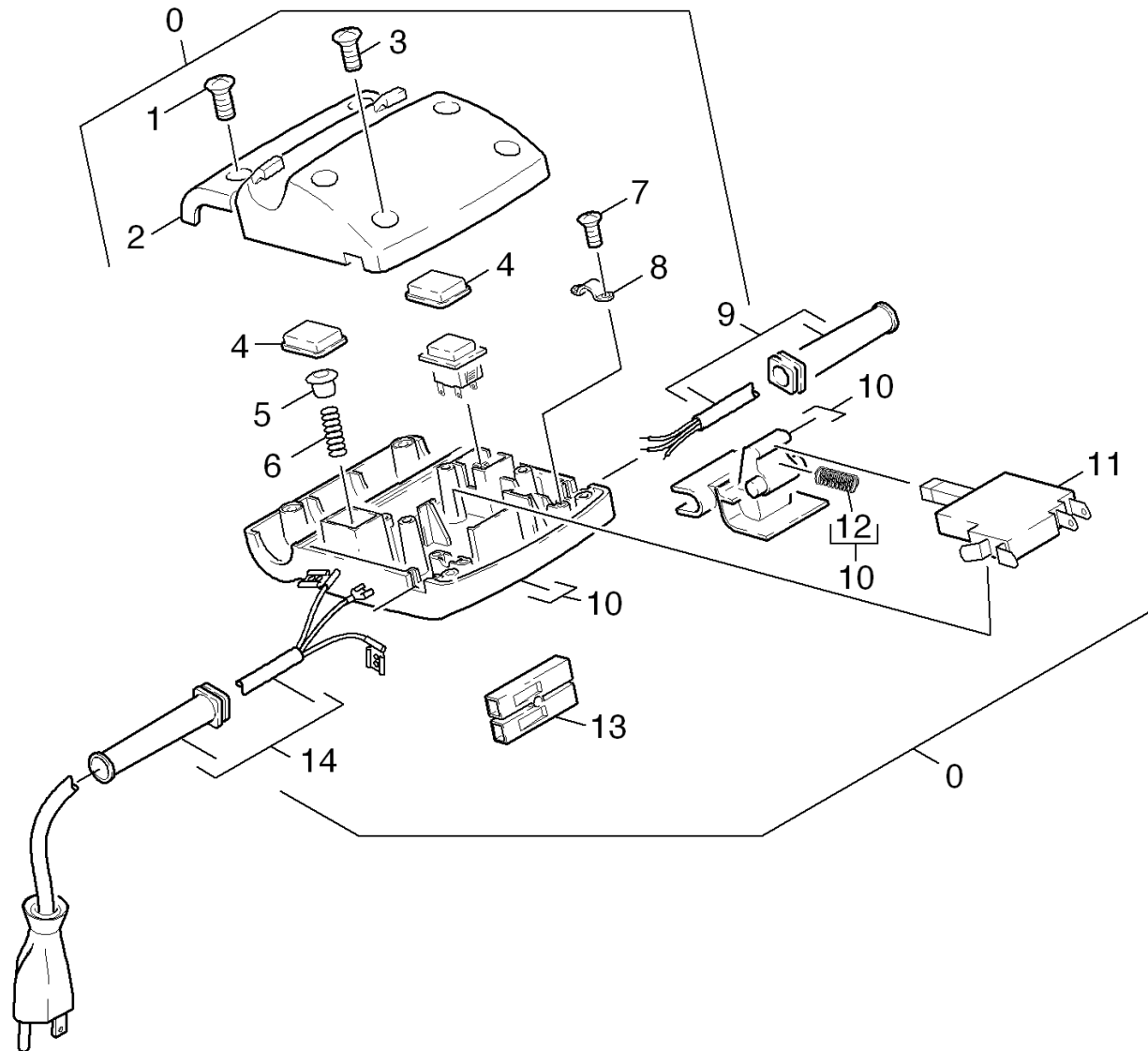
4.1 Control system Compact 16

4.2 Electric equipment Compact 16

4.3 Electricics Compact 16 SP



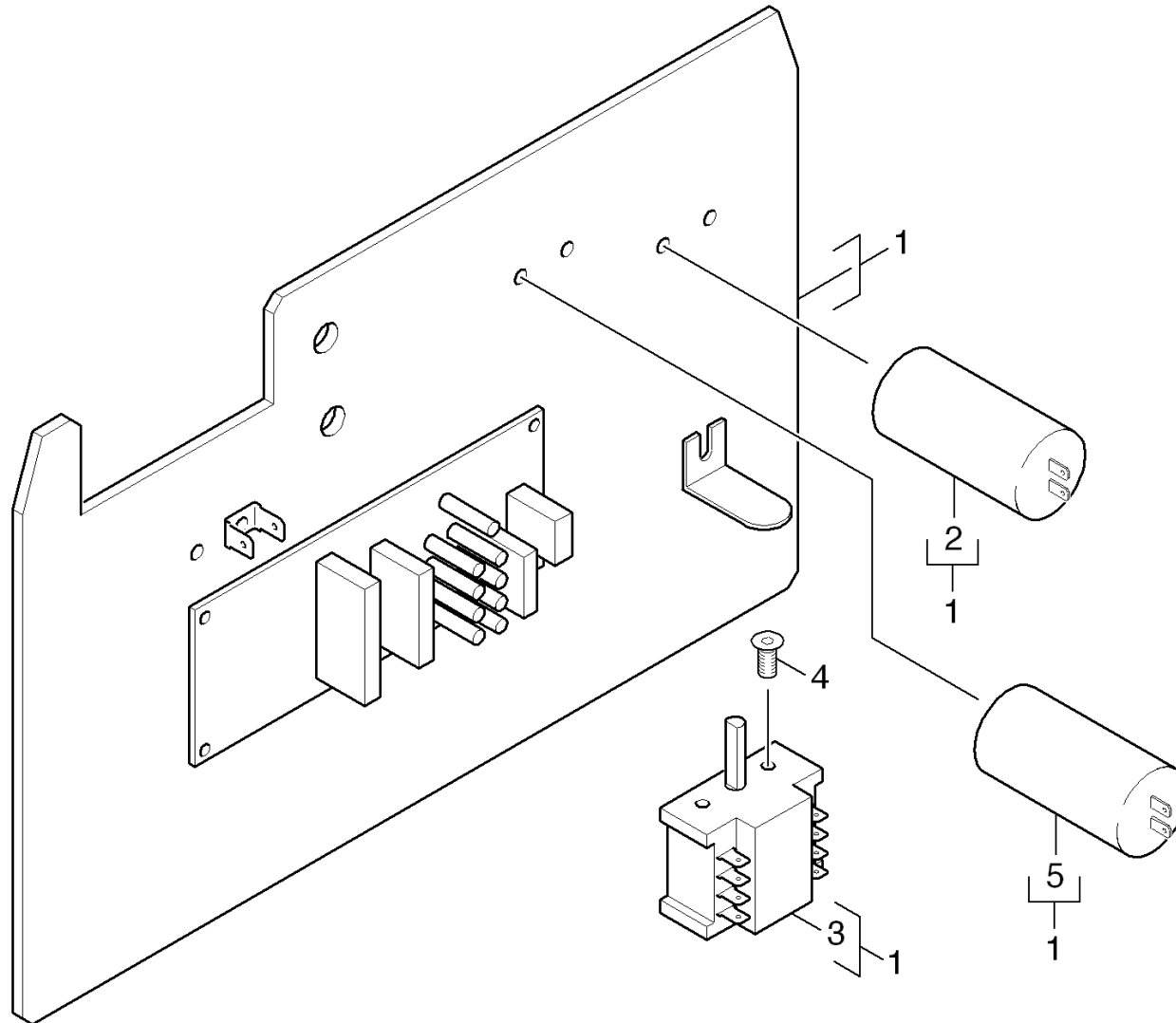
## 4.1 Control system Compact 16



## 4.1 Control system Compact 16

POS	DESCRIPTION ADDITIONAL INFORMATIONS	PART NO	QTY.	FROM SER.NR.	UP TO SER. NR.
0	Housing switch 120V 60Hz	46050850	1		
1	Screw 5x25-IN6RD	63032000	2		
2	HOUSING	50315070	1		
3	Sheet metal screw ST3,5X16-ST-A2R (IN6R	73030630	6		
4	Cap	66316180	2		
5	PLUG	63683110	1		
6	HELICAL SPRING	53324470	1		
7	Screw 3,5x12 -A2-70-bk (In6Rd)	73031020	4		
8	CABLE CLAMP	63733190	2		
9	Cable replacement	46490110	1		
10	HOUSING	40310120	1		
11	Main switch 120V 60Hz	66304080	1		
12	HELICAL SPRING	53324620	1		
13	INSULATING HOUSING 6,3	66480940	1		
14	CABLE TREE M.STECKER	48221060	1		

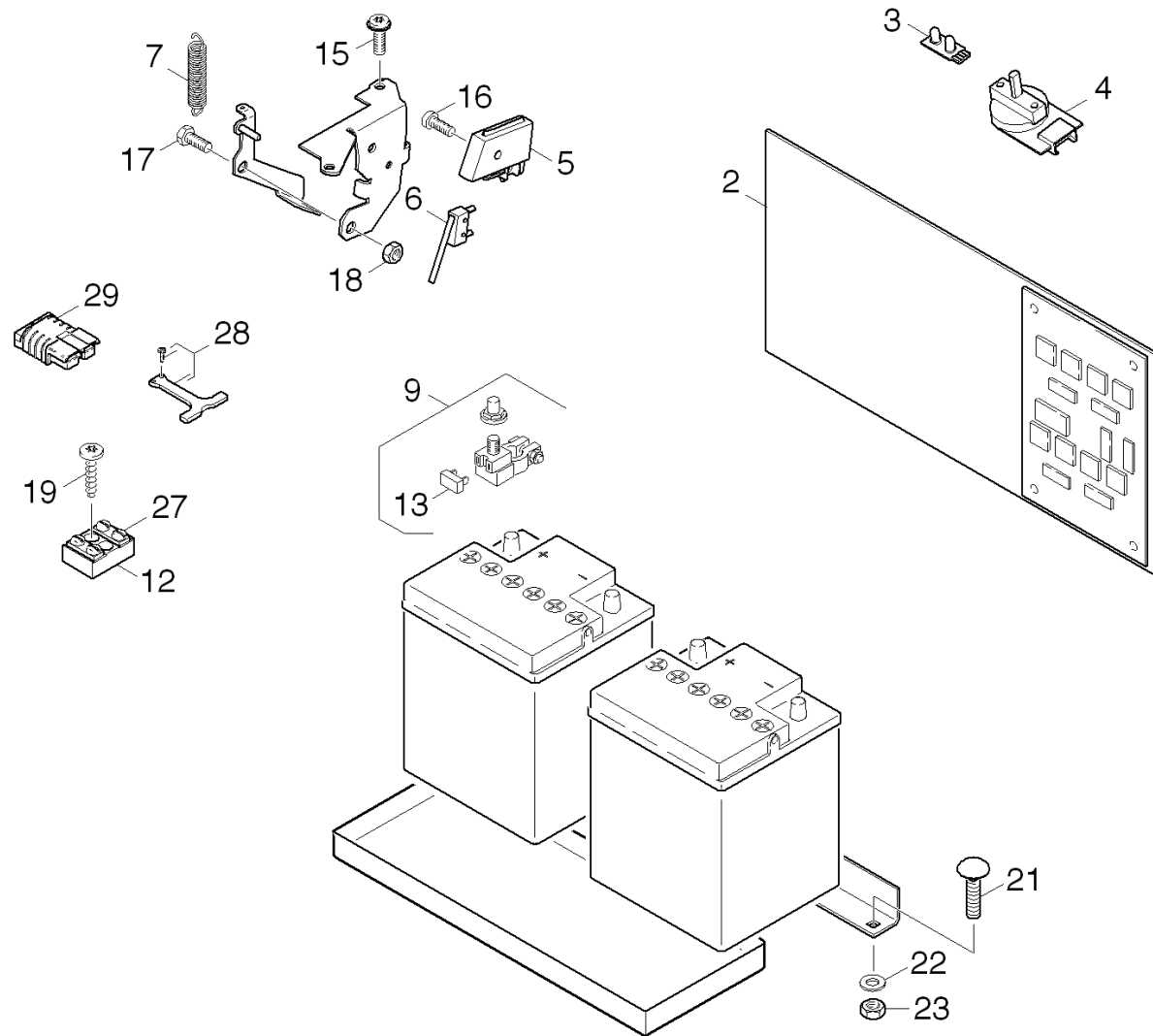
## 4.2 Electric equipment Compact 16



## 4.2 Electric equipment Compact 16

POS	DESCRIPTION <a href="#">ADDITIONAL INFORMATIONS</a>	PART NO	QTY.	FROM SER.NR.	UP TO SER. NR.
1	Electric equipment AWG BD 40/25Ep	28160910	1		
2	CAPACITOR	66612200	1		
3	Switch mains	66303910	1		
4	Countersunk screw M4x12 -A2-70-s (IN6RD	73050360	2		
5	CAPACITOR 30 MF	66612280	1		

### 4.3 Electricics Compact 16 SP



### 4.3 Electricics Compact 16 SP

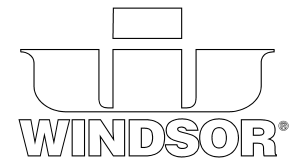
POS	DESCRIPTION ADDITIONAL INFORMATIONS	PART NO	QTY.	FROM SER.NR.	UP TO SER. NR.
2	Electronics BR/BD 40/25 Bp	66827770	1		
3	Circuit board LED BR/BD 40/25	66827760	1		
4	Switch program selection	66303870	1		
5	Housing micro switch	50609980	1		
6	MICRO SWITCH	66303310	1		
7	SPRING	63300110	1		
9	Pole binder single 75A	66439540	1		
12	Strip terminal (+7.306-067.0)	66438400	1		
13	Fuse replacement 75A	66443620	1		
15	Screw 5x16 -10.9-P2R (K-In6Rd)	73031070	1		
16	Screw 4x16 -10.9-R2R (K-In6Rd)	73031290	1		
17	Hexagonal head screw M 6x12-8.8-A2E ISO	73043820	1		
18	Hexagon nut M6 -04-A2E ISO 10511	73114250	1		
19	Screw 5x20 -A2-70 (In6Rd)	73032120	1		
21	Saucer-head screw M6x20 -A2 DIN 603	73031390	2		
22	Washer 6-A2 ISO 7094	73122660	2		
23	Hexagon nut M 6-A2-70 ISO 7040	73110220	2		
27	Screw M 5x8-ST- 8.8-A2R (IN6RD)	73060670	4		
28	Hand grip SB50-HDL	63211920	1		
29	PLUG SB 50 RED	66461400	1		



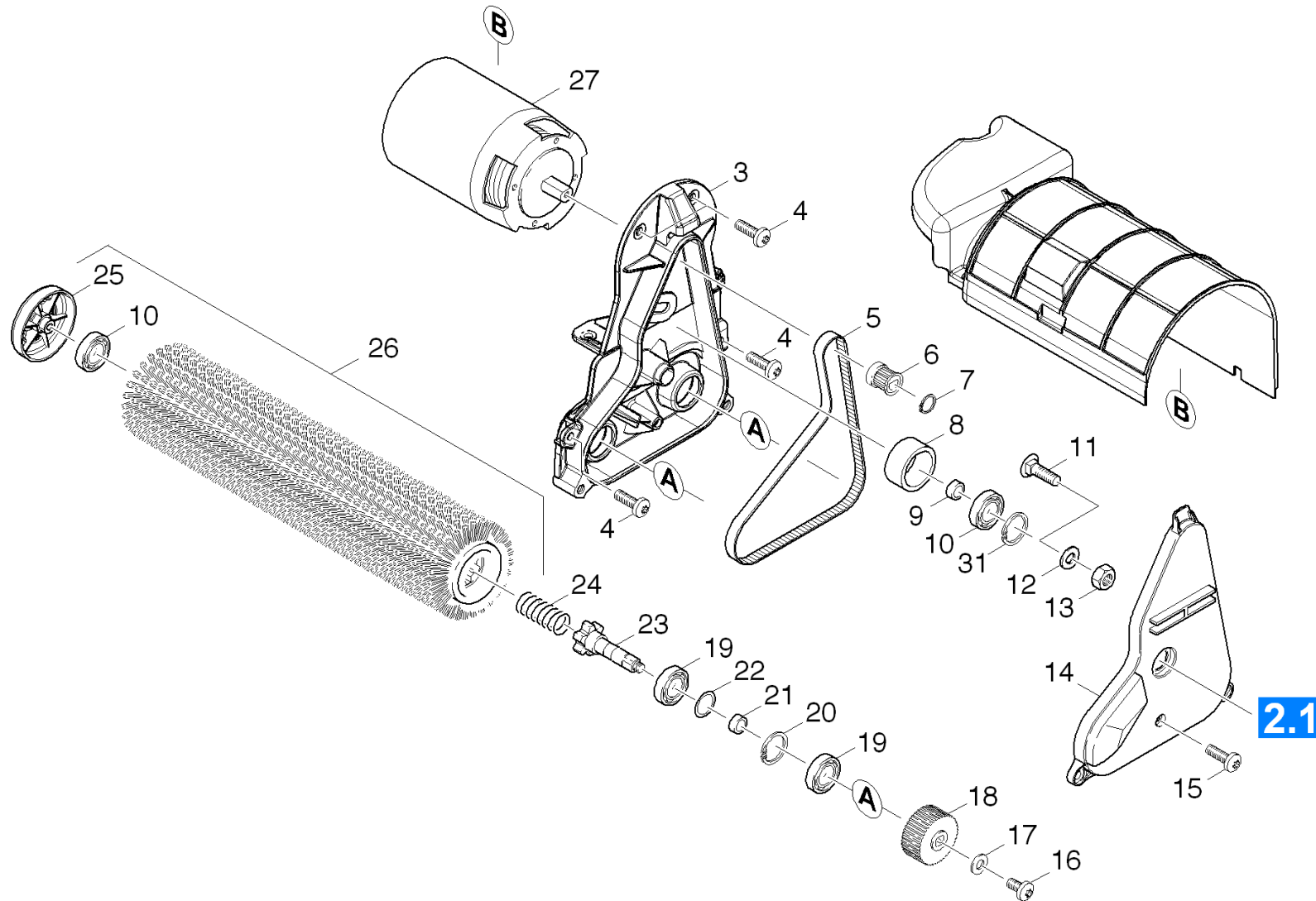
## 5.0 Brush-head

5.1 Brush-head Compact 16 SP

5.2 Brush-head Compact 16



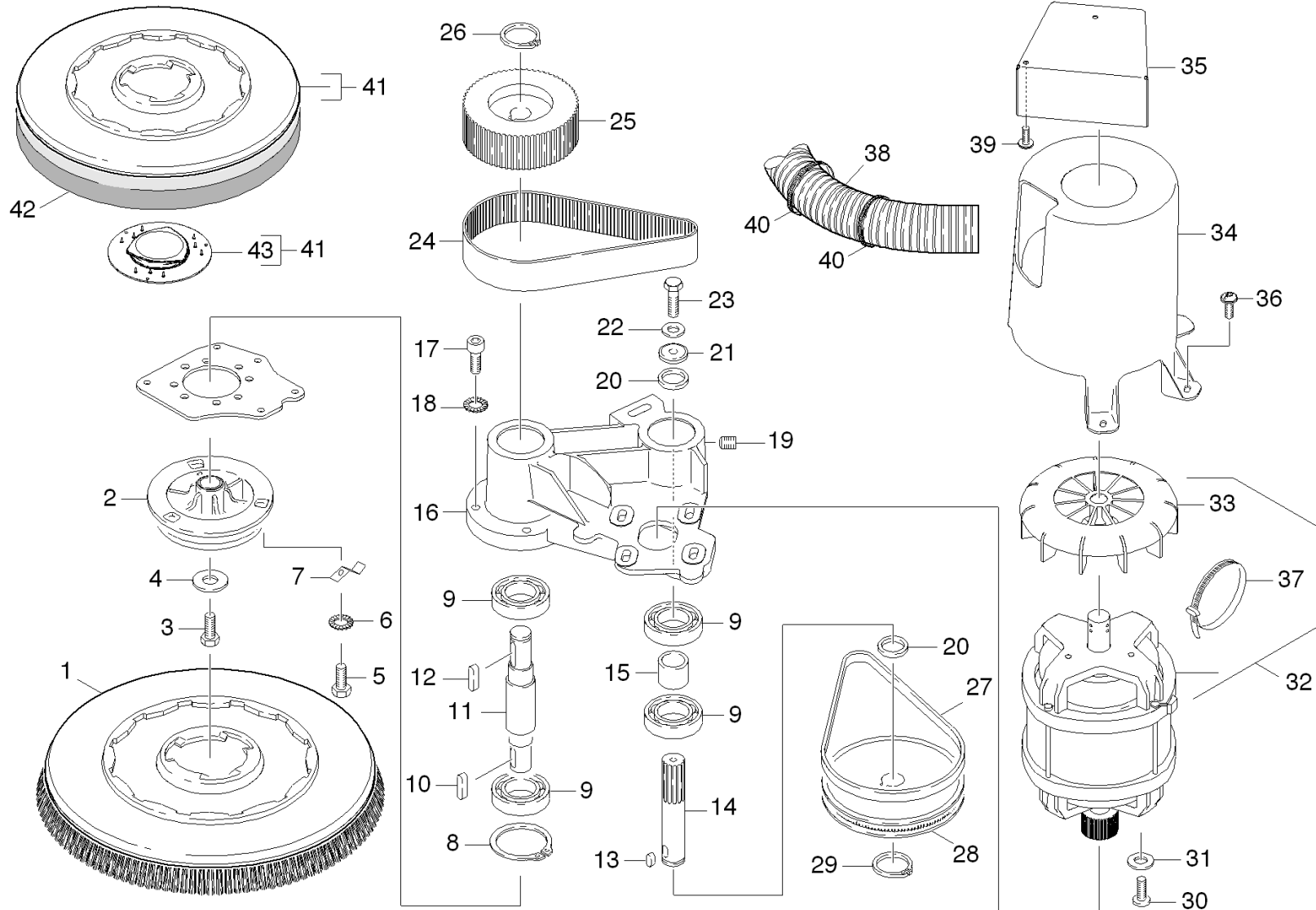
## 5.1 Brush-head Compact 16 SP



## 5.1 Brush-head Compact 16 SP

POS	DESCRIPTION ADDITIONAL INFORMATIONS	PART NO	QTY.	FROM SER.NR.	UP TO SER. NR.
3	Gear case replacement	40930010	1		
4	Screw M6x20 -A2-70 (In6Rd)	73061940	4		
5	Toothed belt HTD-570-3M-15 CXPIII	63484170	1		
6	PULLEY 21Z	56253180	1		
7	Locking ring 12x1-Rf-St DIN 471	73430030	1		
8	Tension roller gear BR 40/25	53171260	1		
9	Spacer sleeve roller	51109950	1		
10	BALL BEARING	64013630	2		
11	Saucer-head screw M8x25-St-AOP DIN 603	73031940	1		
12	Washer 8-A2 ISO 7089	73120170	1		
13	Hexagon nut M 8-8-A2E ISO 7040	73115100	1		
14	Covering cap gear	50326320	1		
15	Screw M6x16 -St-R3R (In6Rd)	73030470	3		
16	Screw M6x12 -8.8-R3R (In6Rd)	73060870	2		
17	Washer 6 -200HV-A2E ISO7093-1	73122760	2		
18	Belt pulley 56Z HTD 3M	56253570	2		
19	Ball bearing 6002-2RS -WAE LZLAGST DIN 62	74011150	4		
20	Locking ring 32x1,2 -St-ph DIN 472	73432310	2		
21	Spacer sleeve bearing	51109960	2		
22	Joint ring NILOS 6002	63632920	2		
23	Shaft brush transmission replacement	51004940	2		
24	HELICAL SPRING	53321140	2		
25	Sheet metal component thread deflector	40386770	2		
26	Roller brush white (old colour black)	47622500	2		
26	Roller brush multicoloured	47624290	1		
27	Direct current motor	66130940	1		
31	Locking ring 28x1,2-FST-RF DIN 472	73431510	1		

## 5.2 Brush-head Compact 16



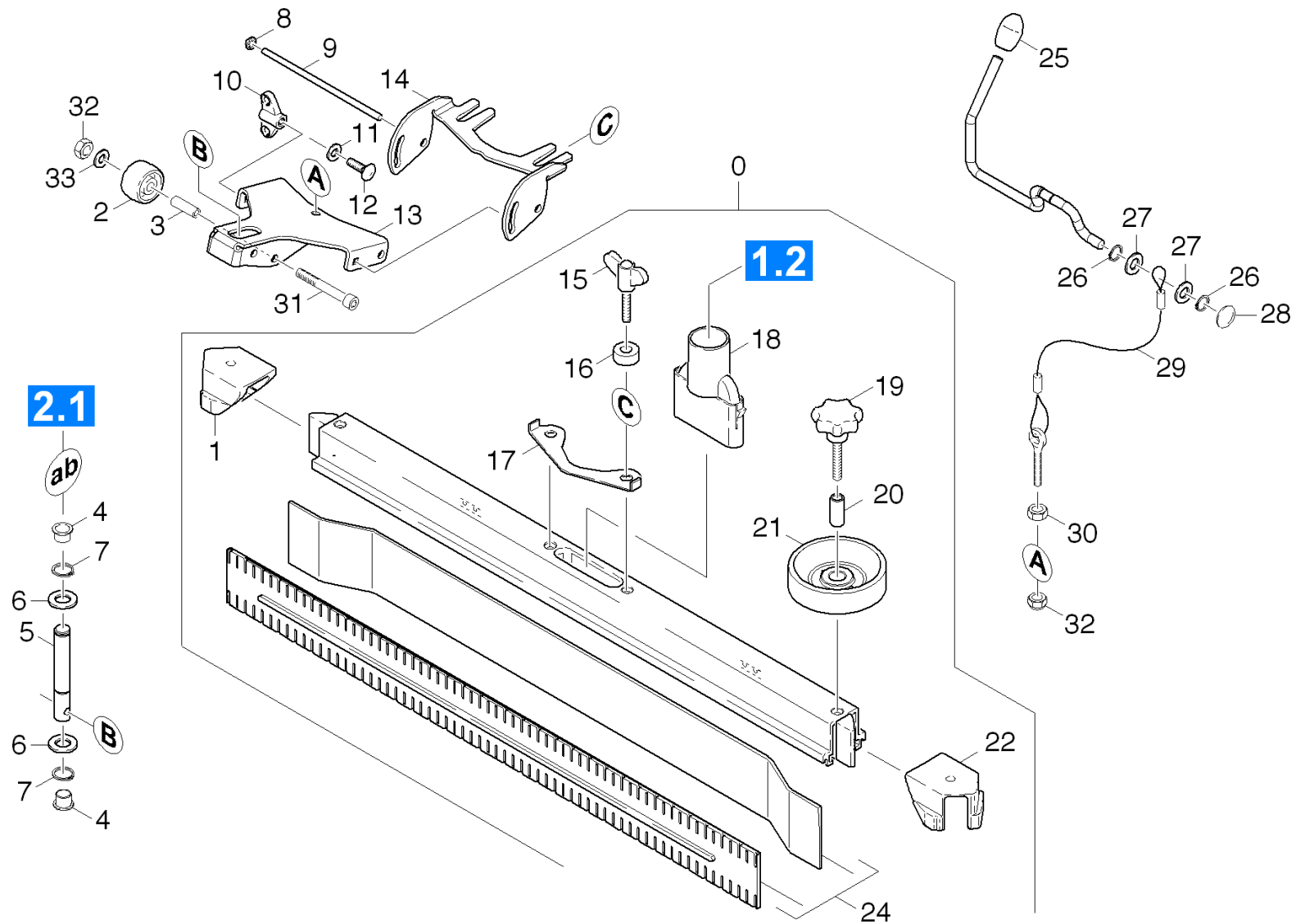
## 5.2 Brush-head Compact 16

POS	DESCRIPTION ADDITIONAL INFORMATIONS	PART NO	QTY.	FROM SER.NR.	UP TO SER. NR.
1	Disc brush black (old colour grey)	69064910	1		
1	BRUSH NATURE	69064920	1		
1	Disc brush white (old colour black)	69067520	1		
1	Disc brush multicoloured	69069330	1		
2	Flange	51222930	1		
3	Hexagonal head screw M8x16-A4-70 ISO 40	73045380	1		
4	Washer 8 -A2 ISO 7094	73122680	1		
5	Screw M5x6 -A2-70 (In6Rd)	73062130	3		
6	Serrated lock washer A5,3-1.4310 DIN 67	73120410	3		
7	Plate spring	53370330	3		
8	Locking ring 47x1,75 -St-ph DIN 472	73431150	1		
9	Ball bearing 6204-2RS-WAELZLAGST DIN 625	74011730	4		
10	Parallel key 6x6x25 -C45R DIN 6885-1	73180300	1		
11	SHAFT 1 RIEMENGETR.	51003780	1		
12	Parallel key 6x6x28 -C45R DIN 6885-1	73180310	1		
13	Parallel key 6x6x12 -C45R DIN 6885-1	73180040	1		
14	SHAFT 2 RIEMENGETRIEBE	51003790	1		
15	BUSH	51126190	1		
16	Holder gear belt BD 530	50446430	1		
17	Screw M8x20 -St-A3R (In6Rd)	73030680	4		
18	Serrated lock washer A8,4-1.4310 DIN679	73120220	4		
19	Threaded pin M10X 12-A1-50 ISO 7435	73073010	1		
20	Bush	51126160	2		
21	BORDSCHEIBE	51159130	1		
22	Washer 6 -200HV-A3E ISO 7090	73120030	1		
23	Screw M6x10 -A2-70 (In6Rd)	73061910	1		
24	TOOTHED BELT	63483840	1		
25	LOCK WASHER 63Z	56254020	1		
26	Locking ring 18x1,2-Rf-St DIN 471	73430180	1		
27	TOOTHED BELT	63483830	1		
28	LOCK WASHER 125Z	56254030	1		

## 5.2 Brush-head Compact 16

POS	DESCRIPTION ADDITIONAL INFORMATIONS	PART NO	QTY.	FROM SER.NR.	UP TO SER. NR.
29	Locking ring 20x1,2-FST-RF DIN 471	73430070	1		
30	Screw M6x20-ST- 8.8-A3R (IN6RD)	73060920	4		
31	Washer 6 -A2 ISO 7093-1	73122920	4		
32	Motor replacement BD 40/25 Ep 120V	46237850	1		
33	BLOWER WHEEL	66127640	1		
34	Air circulation	56920780	1		
35	Plate air circulation BD *USA	50089580	1		
36	Screw 5x50 -10.9-R2R (K-In6Rd)	73031110	3		
37	Cable tie 3,6x140	66490250	1		
38	Hose air circulation BD	63914610	1		
39	Screw 5x16 -10.9-P2R (K-In6Rd)	73031070	2		
40	CABLE TIE	66470810	2		
41	Disk pad BD 40/25	69069640	1		
42	POLISHING PAD SCHWARZ	63697890	1		
42	POLISHING PAD GRUEN	63697900	1		
42	POLISHING PAD ROT	63697910	1		
42	Pad microfibre	63710780	1		
43	Centerlock	69068380	1		

## 6.0 Suction bar



## 6.0 Suction bar

POS	DESCRIPTION ADDITIONAL INFORMATIONS	PART NO	QTY.	FROM SER.NR.	UP TO SER. NR.
0	Suction bar straight	47770640	1		
1	End piece right	50319910	1		
2	ROLLER	54350040	1		
3	Bush	51126330	1		
4	BEARING BUSH	64374840	2		
5	Bolt suction bar	53171300	1		
6	Washer 16 -A2 ISO 7090	73120570	2		
7	Lock washer 12-St-A2E DIN 6799	73433060	1		
8	Lock washer 8	63431320	2		
9	Bar	51072020	1		
10	Wing nut M 6	63101290	1		
11	Washer 6 -A2 ISO 7093-1	73122920	1		
12	Saucer-head screw M6x20 -A2 DIN 603	73031390	1		
13	Holder suction bar	50447230	1		
14	Rocker suction bar	50589870	1		
15	Wing screw M8x40 VA	53052960	2		
16	Sleeve VA	51128100	2		
17	Plate	50072170	1		
18	CONNECTING PIECE	50319890	1		
19	Star grip VA	63212110	2		
20	Sleeve suction bar in VA	50942310	2		
21	Deflector roll suction bar	55152670	2		
22	End piece left	50319900	1		
24	Rubber lip set standard	62732530	1		
24	Rubber lip set oil resistant	62732540	1		
24	Rubber lip set anti stripe oil resistant	62732620	1		
25	HANDLE	63211850	1		
26	Lock washer 9-St-ph DIN 6799	73432050	2		
27	Washer 10-200HV-A3E ISO 7090	73120050	2		
28	QUICK-FASTENER	63431910	1		
29	Rope complete	41720240	1		
30	Hexagon nut M 8-04-A2E ISO 4035	73112240	1		



## 6.0 Suction bar

POS	DESCRIPTION <a href="#">ADDITIONAL INFORMATIONS</a>	PART NO	QTY.	FROM SER.NR.	UP TO SER. NR.
31	Cylinder head screw M8x55 -A4-70 ISO 47	73062220	2		
32	Hexagon nut M8 -04-A2E ISO 10511	73114270	3		
33	Washer 8-A2 ISO 7089	73120170	2		