

Spare parts list

(15331650) Saber Compact 22 SP

(15331660) Saber Compact 22

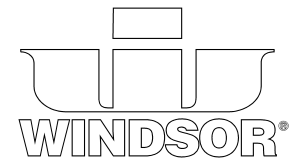
CONTENT LIST

- 1.0 Tank
 - 1.1 Tank
 - 1.2 Individual parts
- 2.0 Frame
- 3.0 Individual parts
- 4.0 Electricics
- 5.0 Brush-head Compact 22 SP
 - 5.1 Transmission
 - 5.2 Individual parts
- 6.0 Brush-head Compact 22
 - 6.1 Transmission
 - 6.2 Individual parts
- 7.0 Suction bar
 - 7.1 Suction bar
 - 7.2 Suction beam retraction
- 8.0 Roll pad
- 9.0 RM metering

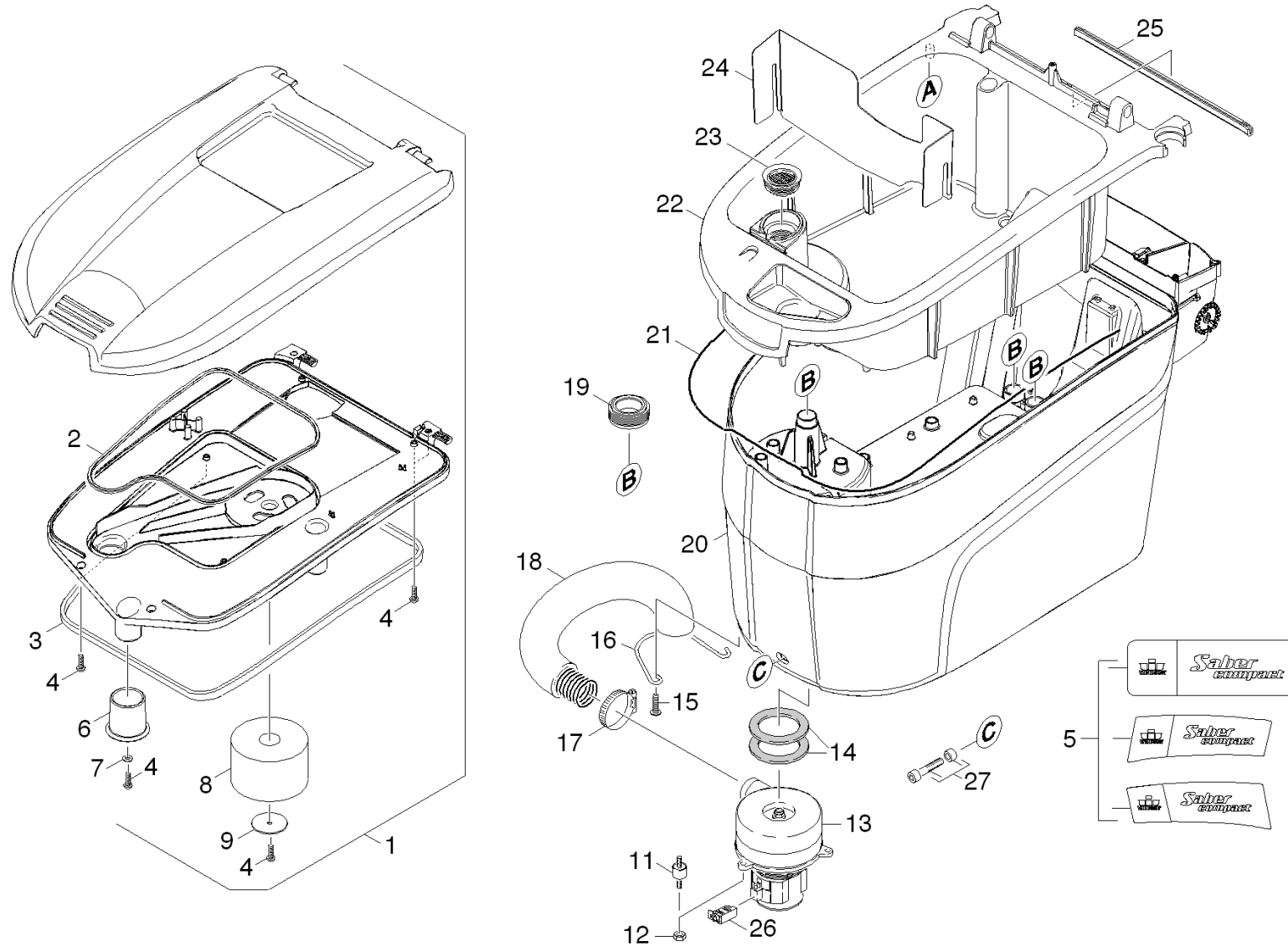
1.0 Tank

1.1 Tank

1.2 Individual parts



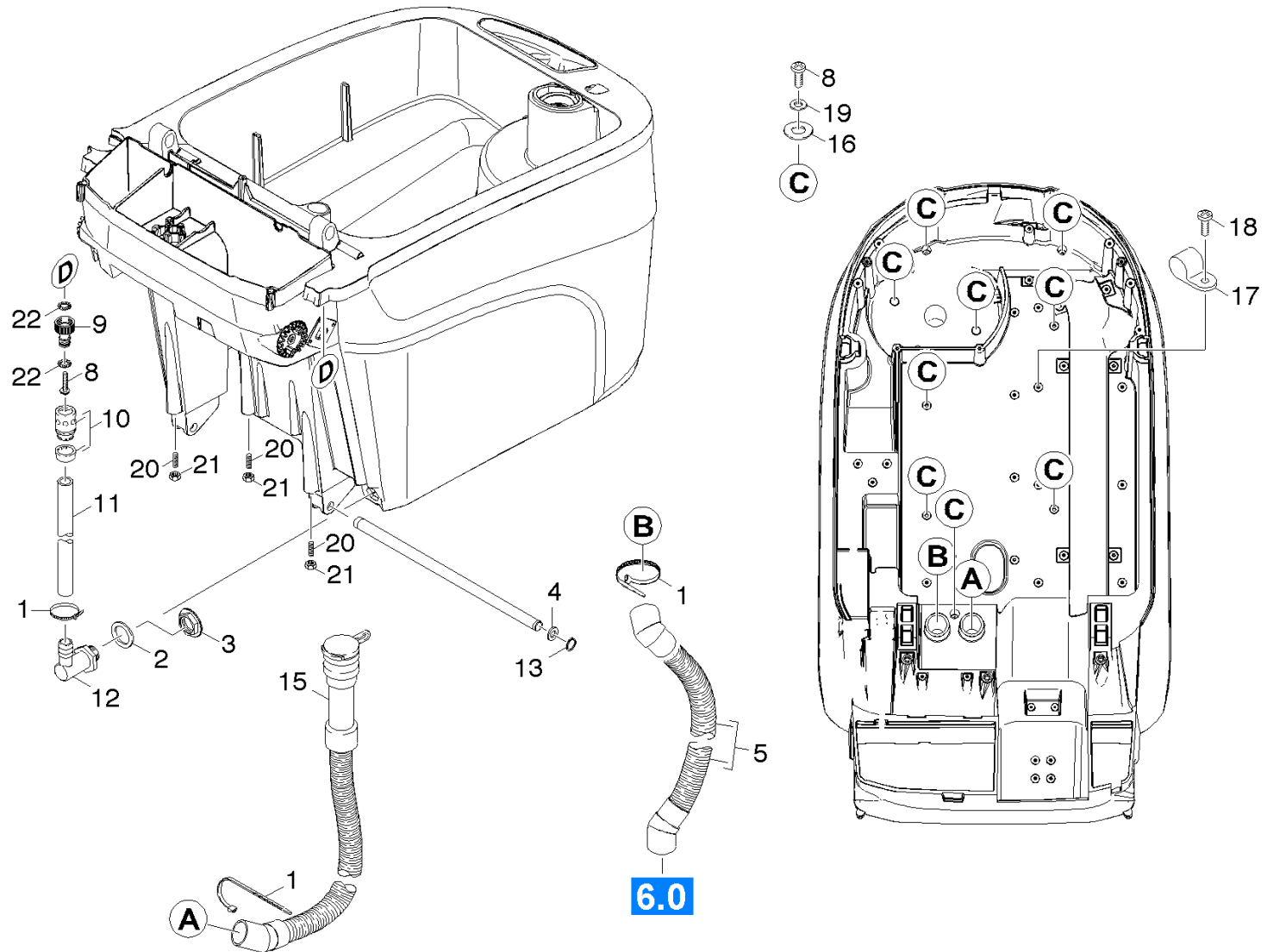
1.1 Tank



1.1 Tank

POS	DESCRIPTION ADDITIONAL INFORMATIONS	PART NO	QTY.	FROM SER.NR.	UP TO SER. NR.
1	Cover complete	30710370	1		
2	Seal string cellular rubber TO ORDER AS CUT GOODS	62731960	1		
3	Sealing profile TO ORDER AS CUT GOODS	63660430	1		
4	Screw 6x25 -10.9-A2R (In6Rd)	73031130	12		
5	Set label replacement	33910010	1		
6	Form seal BR BD	53636860	1		
7	Washer 6-A2 ISO 7094	73122660	1		
8	Float	55850420	1		
9	Washer	51157540	1		
11	Rubber buffer 2xM6-D20 H15	63390210	3		
12	Hexagon nut M 6-8-A2E EN 1661	73115410	3		
13	Vacuum motor 24V 420W	64900000	1		
14	Joint ring	53635740	2		
15	Screw 5x20 -10.9-R2R (In6Rd)	73031080	2		
16	Holder hose turbine	50178530	1		
17	HOSE BAND CLIP	63887130	1		
18	SUCTION TUBE	63889490	1		
19	Joint ring FW-SW	53636470	3		
20	Tank fresh water blue	50711930	1		
21	Seal cellular rubber D6 TO ORDER AS CUT GOODS	62731040	1		
22	Tank waste water	50711680	1		
23	Joint ring fluffing strainer	55152660	1		
24	Splash plate BR/BD 45-55/40 ACCESSORIES	50578970	1		
25	CELL. RUBBER BAND 9X4 TO ORDER AS CUT GOODS	62730580	1		
26	Carbon brush set	64902300	1		
27	Screw complete only for replacement	41720300	1		

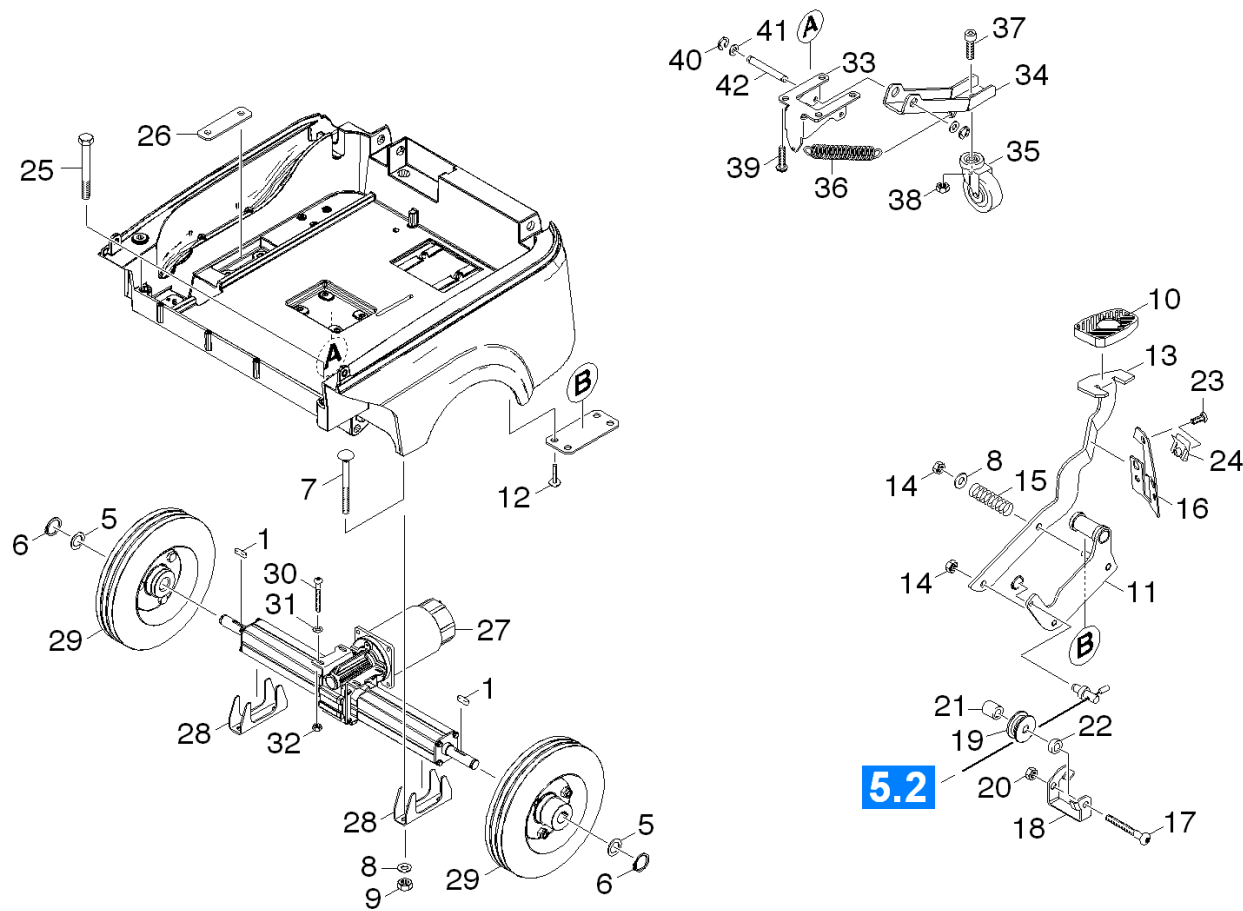
1.2 Individual parts



1.2 Individual parts

POS	DESCRIPTION ADDITIONAL INFORMATIONS	PART NO	QTY.	FROM SER.NR.	UP TO SER. NR.
1	HOLDER	66414740	3		
2	Seal D34	55152530	1		
3	Sleeve discharge tank	51310660	1		
4	WASHER	51152380	2		
5	Suction hose	63914740	1		
8	Screw 6 x 35-ST-10.9-A2R (IN6RD)	73031140	10		
9	Connection 3/4"	63898700	1		
10	Hose coupling	63884820	1		
11	Hose silicon	63914730	1		
12	Angle bushing G1-2	63951630	1		
13	Locking ring 15x1-FST-RF DIN 471	73430150	2		
15	Drain hose	63914720	1		
16	Joint ring D14	53636480	9		
17	PIPE CLAMP D 6	63733430	4		
18	Screw 5x16 -10.9-P2R (K-In6Rd)	73031070	4		
19	Serrated lock washer A6,4-FSt-A3E DIN 6	73122320	9		
20	Threaded pin M6x35 -St-45H-A2E ISO 4026	73074180	3		
21	Hexagon nut M6 -11,5	53101510	3		
22	Toothed lock washer A6,4-FSt-A3E DIN 67	73121670	2		

2.0 Frame



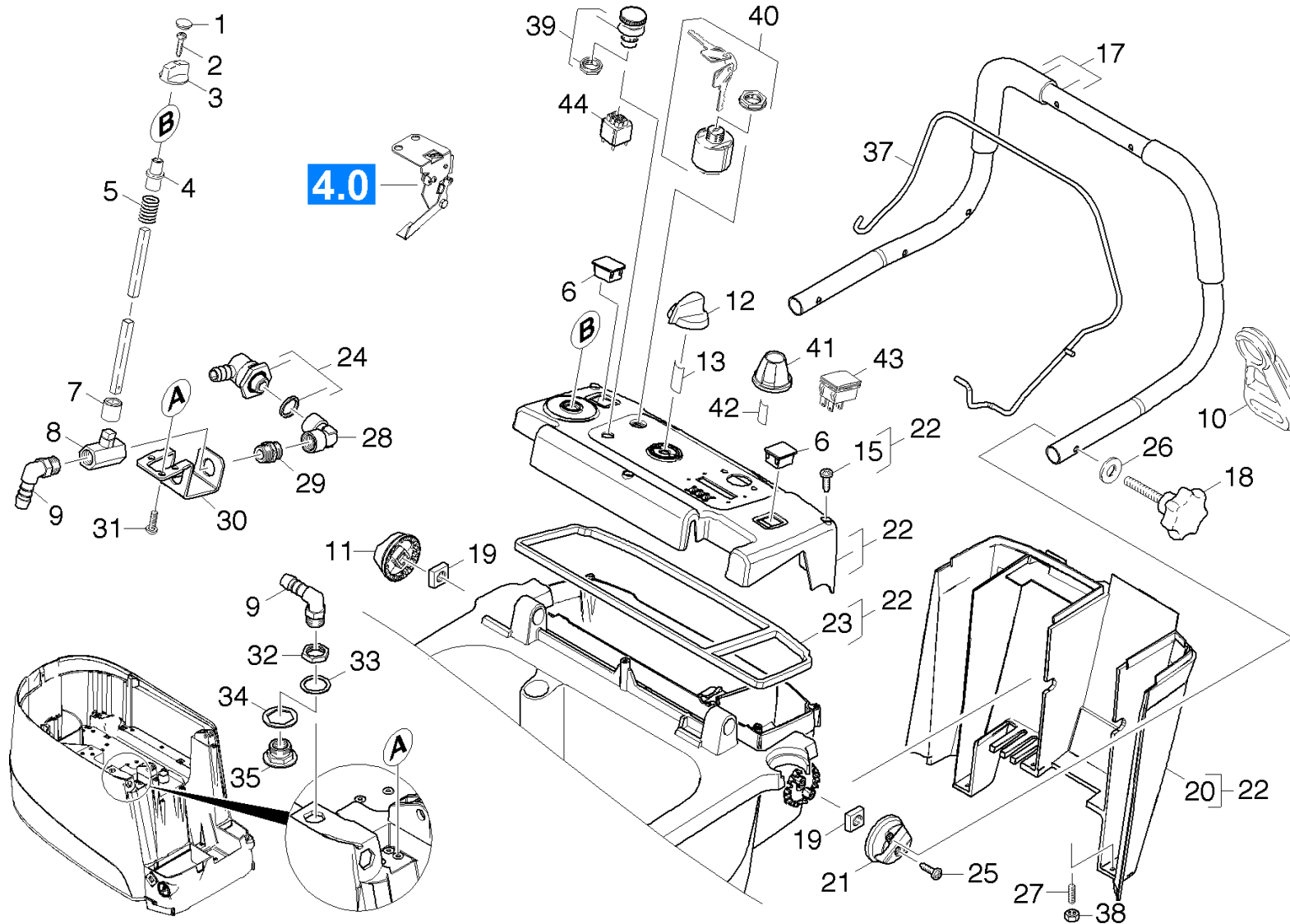
2.0 Frame

POS	DESCRIPTION ADDITIONAL INFORMATIONS	PART NO	QTY.	FROM SER.NR.	UP TO SER. NR.
1	Parallel key A 5x5x25-C45R DIN 6885	73180790	2		
5	Washer	51153730	2		
6	Locking ring 17x1-FST-RF DIN 471	73430290	2		
7	Saucer-head screw M8x140 -A2 DIN 603	73032390	4		
8	Washer 8 -A2 ISO 7093-1	73122890	4		
9	Hexagon nut M8 -04-A2E ISO 10511	73114270	4		
10	Coating pedal	63210460	1		
11	Pedal feed roll	44812360	1		
12	Screw 6 x 35-ST-10.9-A2R (IN6RD)	73031140	4		
13	Plate pedal	50531680	1		
14	Hexagon nut M 8-8-A2E ISO 7040	73115100	2		
15	HELICAL SPRING	53323580	1		
16	Plate notch pedal	50088910	1		
17	Screw M 6x55-A2-70 (IN6RD)	73062010	1		
18	Sheet metal component bearing roller	50578240	1		
19	Deflection pulley	53171760	1		
20	Hexagon nut M 6-A2-70 ISO 7040	73110220	1		
21	BUSH	51124910	1		
22	Bush	51124480	1		
23	Screw M 5x 12-A2-70 (In6Rd)	73061810	3		
24	SHEET METAL NUT	63100510	1		
25	Hexagonal head screw M 8X100-A4-70 ISO	73040330	2		
26	Plate bearing shaft	50088920	2		
27	Traction motor	66131140	1		
28	Bearing plate gear differential	50095940	2		
29	Wheel transmission	64357760	2		
30	Screw M6x60 -8.8-R3R (In6Rd)	73061380	4		
31	Washer 6 -200HV-A2E ISO7093-1	73122760	4		
32	Hexagon nut M 6-8-A2E ISO 7040	73115120	4		
33	Plate holder support wheel	50090130	1		
34	Plate support wheel	50090120	1		
35	CASTOR	64351110	1		

2.0 Frame

POS	DESCRIPTION ADDITIONAL INFORMATIONS	PART NO	QTY.	FROM SER.NR.	UP TO SER. NR.
36	Extension spring	63304030	1		
37	Cylinder head screw M10x25 -A4-70 ISO 4	73062430	1		
38	Hexagon nut M10-A2-70 ISO 7040	73115240	1		
39	Screw 6x25 -10.9-A2R (In6Rd)	73031130	4		
40	Lock washer 10-FST-A2E DIN 6799	73430470	2		
41	Washer 12-A2 ISO 7090	73120540	2		
42	Bolt	53170840	1		

3.0 Individual parts



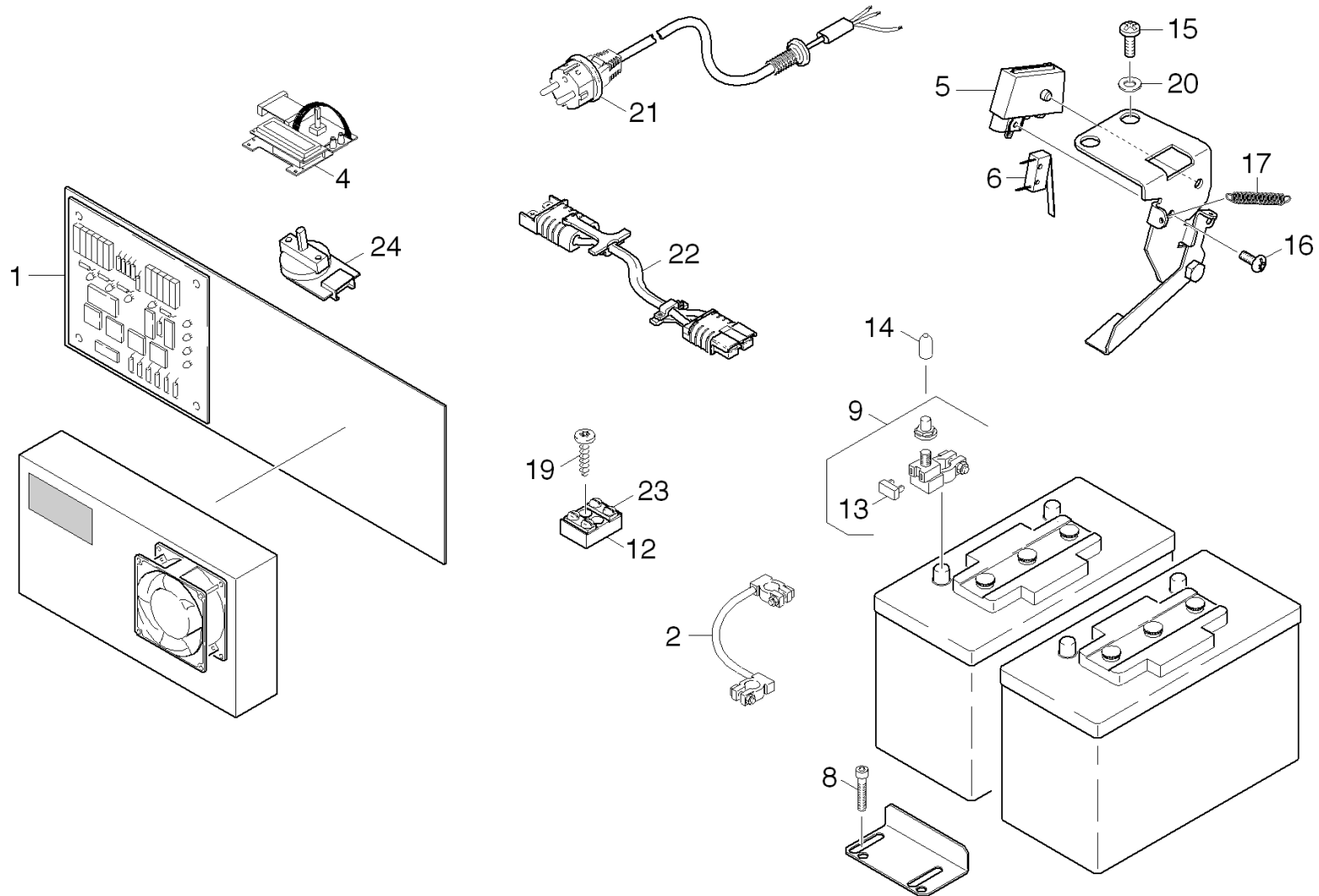
3.0 Individual parts

POS	DESCRIPTION ADDITIONAL INFORMATIONS	PART NO	QTY.	FROM SER.NR.	UP TO SER. NR.
1	Ornamental hub cap D10/D12	63680760	1		
2	Sheet metal screw ST3,5X25-ST-A2R (IN6R	73030650	1		
3	Handhold	53215090	1		
4	Coupler	54700340	1		
5	HELICAL SPRING	53322900	1		
6	Blind plug	66317360	2		
7	Coupler	54700330	1		
8	BALL VALVE BR700	64122890	1		
9	Angle bushing	63900020	2		
10	PULL RELIEF	66417760	1		
11	Fixing strap right	50327540	1		
12	Handhold operational concept	53217380	1		
13	SPRING CLIP	63130140	1		
14	Screw 5x16 -10.9-P2R (K-In6Rd)	73031070	4		
15	Screw 5x20 -10.9-R2R (In6Rd)	73031080	4		
17	Strap handhold only for replacement BAT	40341470	1		
18	HANDLE	63211790	2		
19	Square nut M8 -05-A2E DIN 557	73115700	2		
20	Covering cap electronics BAT/PACK Dose	50329010	1		
21	Fixing strap left	50327550	1		
22	Control panel only for replacement	30710820	1		
23	Seal control panel BR/BD 45-55/40	53620100	1		
24	Angle bushing G3-8	63951870	1		
25	Screw 5x16 -10.9-P2R (K-In6Rd)	73031070	4		
26	Washer 8-200HV-A2E ISO7093-1	73122770	2		
27	Threaded pin M6x35 -St-45H-A2E ISO 4026	73074180	3		
28	Elbow connector G3/8"	63951860	1		
29	Double nipple G3/8"	63951850	1		
30	Holder ball valve	50448160	1		
31	Screw 5x16 -10.9-P2R (K-In6Rd)	73031070	3		
32	Hexagon nut M22x1,5	53112040	1		
33	Shim ring 22x30x1-ST2K50 DIN 988	73432110	1		

3.0 Individual parts

POS	DESCRIPTION ADDITIONAL INFORMATIONS	PART NO	QTY.	FROM SER.NR.	UP TO SER. NR.
34	Seal hexagon	55152930	1		
35	Sleeve fresh water	51310710	1		
37	Strap Bp	40341360	1		
38	Hexagon nut M6 -11,5	53101510	3		
39	EMERGENCY CALIPERS	66001130	1		
40	KEY SWITCH	66301060	1		
41	HANDLE INFOPANNEL	53217500	1		
42	SPRING CLIP	63130140	1		
43	Switch two-pole traction BR/BD45-55/40W	66323980	1		
44	ELEMENT	66001140	1		

4.0 Electrics



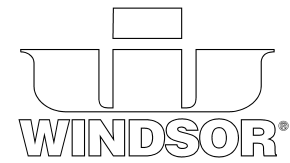
4.0 Electricics

POS	DESCRIPTION ADDITIONAL INFORMATIONS	PART NO	QTY.	FROM SER.NR.	UP TO SER. NR.
1	Electronics BR/BD 45-55/40 C Bp Pack DOS	66829030	1		
1	Electronics motor circuit board BR/BD 45	66829040	1		
2	Cable battery	66477380	1		
4	Circuit board Drehimp./Displ. BR/BD45-55	66828070	1		
5	Housing micro switch	50609980	1		
6	MICRO SWITCH	66303310	1		
7	Blower only for replacement	64843100	1		
8	Cylinder head screw M8x16 -8.8-A2E ISO4	73060400	2		
9	Pole binder single 100A	66439560	1		
12	Strip terminal (+7.306-067.0)	66438400	1		
13	Fuse replacement 100A	66443630	1		
14	PROTECTING CAP	63682940	1		
15	Screw 5x16 -10.9-P2R (K-In6Rd)	73031070	2		
16	Screw 4x16 -10.9-R2R (K-In6Rd)	73031290	1		
17	SPRING	63300110	1		
19	Screw 5x20 -A2-70 (In6Rd)	73032120	1		
20	Washer 5-200HV-A3E ISO 7090	73120020	2		
21	Cable with plug	66493000	1		
22	Supply cable adapter BR/BD 45-55/40 ACCESSORIES	66493030	1		
23	Screw M 5x8-ST- 8.8-A2R (IN6RD)	73060670	4		
24	Switch program selection	66303870	1		

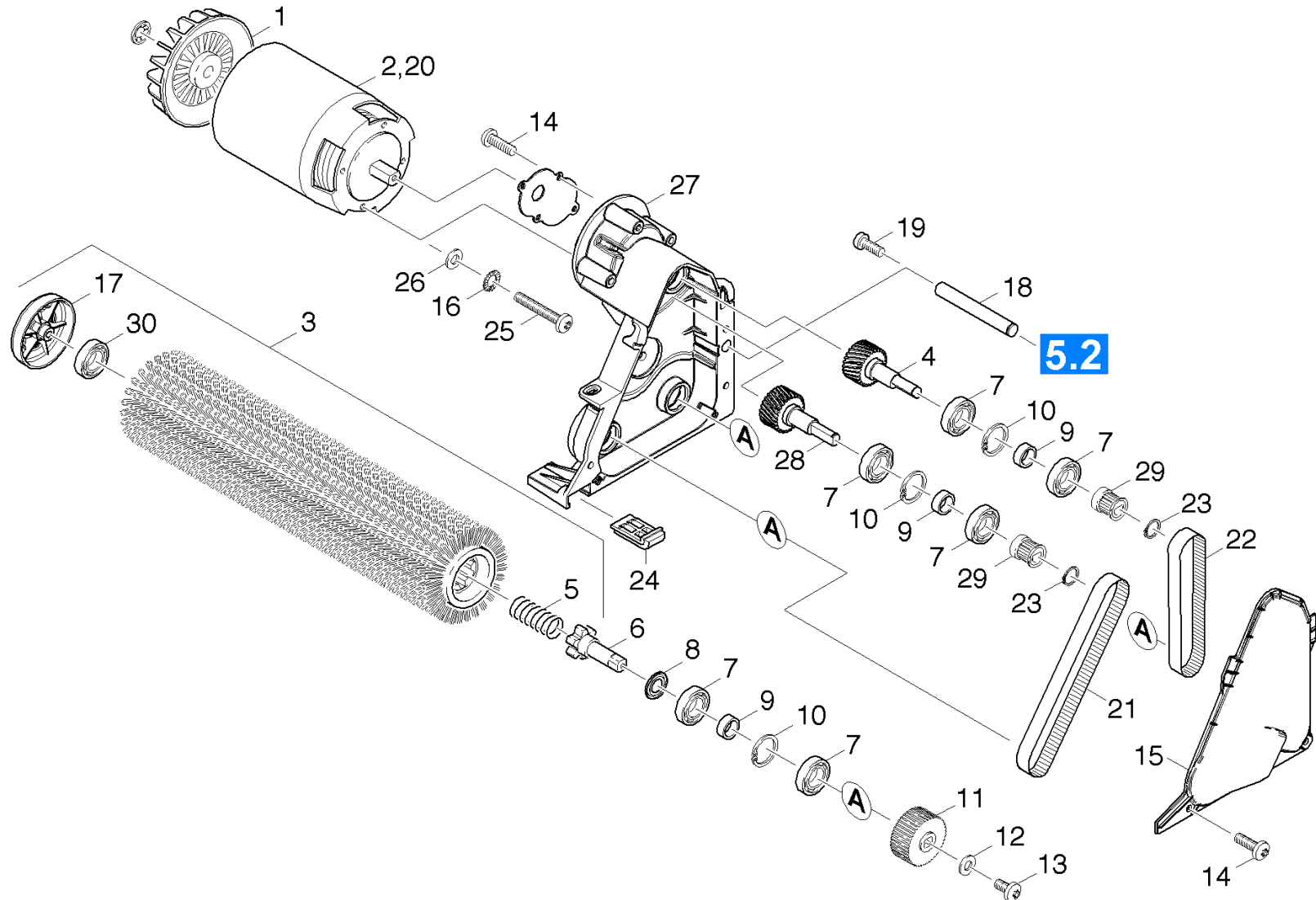
5.0 Brush-head Compact 22 SP

5.1 Transmission

5.2 Individual parts



5.1 Transmission



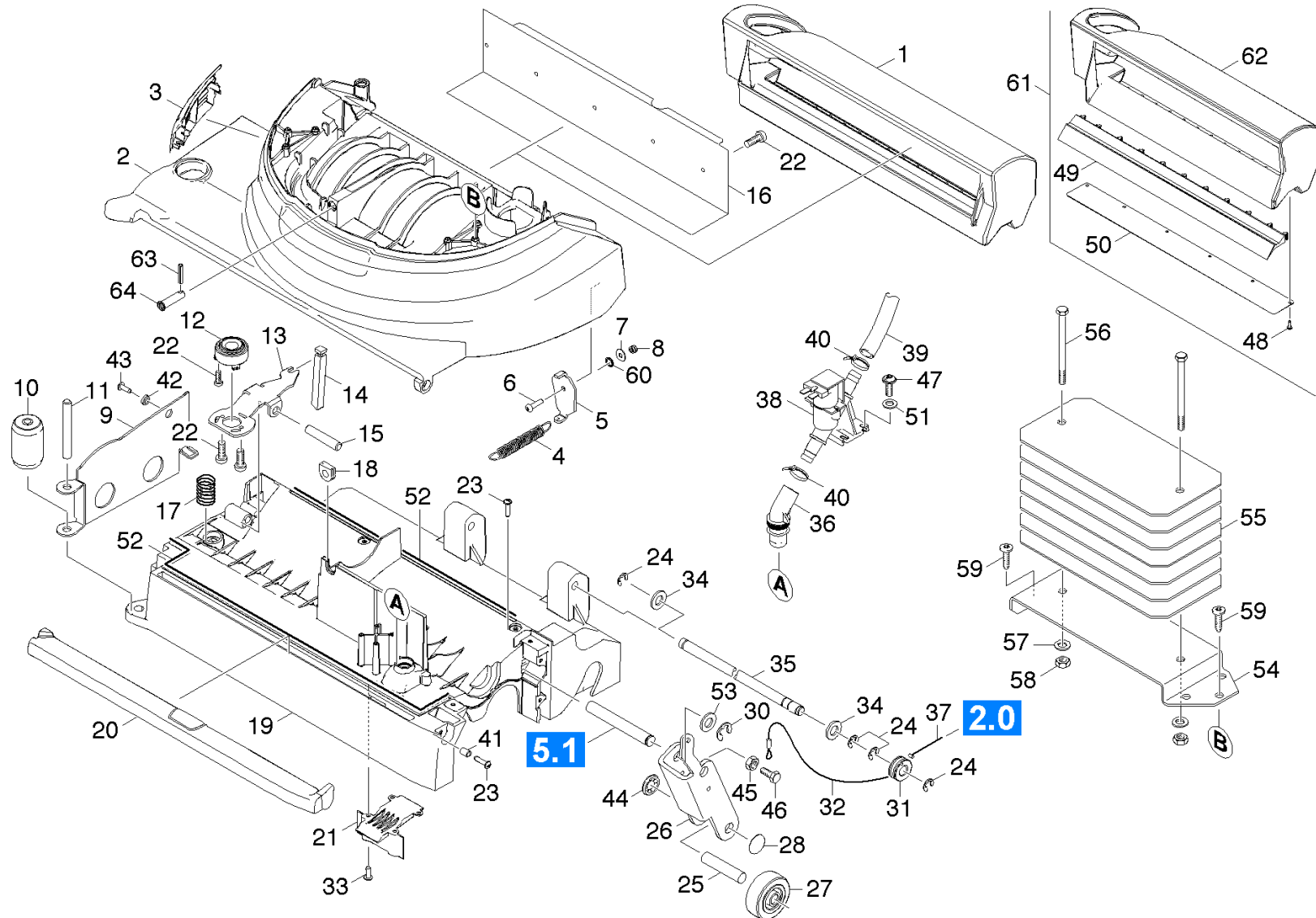
5.1 Transmission

POS	DESCRIPTION ADDITIONAL INFORMATIONS	PART NO	QTY.	FROM SER.NR.	UP TO SER. NR.
1	BLOWER WHEEL	66130250	1		
2	Direct current motor 24V	66131150	1		
3	Roller brush complete white BR 55/40	47624090	2		
3	Roller brush complete orange BR 55/40	47624100	2		
3	Roller brush complete green BR 55/40	47624110	2		
3	Roller brush complete black BR 55/40	47624120	2		
4	Shaft gear left BR VS	41001250	1		
5	HELICAL SPRING	53321140	2		
6	DRIVE SHAFT KPL.	41002260	2		
7	Ball bearing 6002-2RS -WAE LZLAGST DIN 62	74011150	8		
8	Joint ring NILOS 6002	63632920	2		
9	SLEEVE	51106860	4		
10	Locking ring 32x1,2 -St-ph DIN 472	73432310	4		
11	Belt pulley 56Z HTD 3M	56253570	2		
12	Washer 6 -200HV-A2E ISO7093-1	73122760	2		
13	Screw M6x12 -8.8-R3R (In6Rd)	73060870	2		
14	Screw M5x12 -St-P2R (In6Rd)	73030380	6		
15	Cover gear	56710230	1		
16	Serrated lock washer A6,4-FSt-A3E DIN 6	73122320	1		
17	Sheet metal component thread deflector	40386770	1		
18	Bolt bearing feed roll BR	53171880	1		
19	Screw M6x16 -A2-70 (In6Rd)	73061930	1		
20	CARBON BRUSH SET BR-BD 530, 550 ATAS	66102390	1		
21	Toothed belt HTD-390-3M-15 CXPIII	63484300	1		
22	Toothed belt HTD-474-3M-15 CXPIII	63484310	1		
23	Locking ring 12x1-Rf-St DIN 471	73430030	2		
24	ROCKER	50560100	1		
25	Screw M6x55-A2-70 DIN 7984	73060340	4		
26	Washer 6 -A2 ISO 7090	73120260	4		
27	Carrier motor BR 45-55/40	50531710	1		
28	Shaft gear right BR VS	41001240	1		

5.1 Transmission

POS	DESCRIPTION ADDITIONAL INFORMATIONS	PART NO	QTY.	FROM SER.NR.	UP TO SER. NR.
29	PULLEY 21Z	56253180	2		
30	BALL BEARING	64013630	1		

5.2 Individual parts



5.2 Individual parts

POS	DESCRIPTION ADDITIONAL INFORMATIONS	PART NO	QTY.	FROM SER.NR.	UP TO SER. NR.
1	Sweep tank counter rotation BR 55/40	50329120	1		
2	Housing top part BR 55/40	50611810	1		
3	Covering cap air circulation	50329020	1		
4	Extension spring	63302550	1		
5	Sheet metal component spring feed roll	50578480	1		
6	Screw M5x20 -A2-70 (In6Rd)	73061830	1		
7	Washer 5 -A2 ISO 7093-1	73122820	1		
8	Hexagon nut M 5-1.4305 ISO 10511	73114310	1		
9	Sheet metal component covering cap brush	50389980	1		
10	ROLLER D45	64353410	1		
11	Bolt deflector roll	53171860	1		
12	Push button SWS-BR	53260300	1		
13	Sheet metal component rocker SWS	50389970	1		
14	Rod locking part SWS	50272860	1		
15	Bolt bearing rocker SWS BR	53171850	1		
16	Sheet metal component covering cap BR55	50613150	1		
17	Pressure spring	53325540	1		
18	CABLE BUSHING	66480640	1		
19	Housing bottom part BR 55/40	50611820	1		
20	Strip water distributor BR 55/40	51902460	1		
21	Covering cap water intake	56722970	1		
22	Screw 4x 12-ST-10.9-R2R (IN6RD)	73030950	10		
23	Screw 6x25 -10.9-A2R (In6Rd)	73031130	4		
24	Locking ring 8-A2 DIN 6799	73433030	4		
25	Bolt stop feed roll BR	53171870	1		
26	Plate feed roll BR	50578540	1		
27	Wheel VPA 80/12G	64357450	1		
28	QUICK FASTENER	63432240	1		
29	Rope	64312510	1		
30	Lock washer 10-FST-A2E DIN 6799	73430470	1		
31	Deflection pulley wheel transport	55152790	1		
32	Rope front BR	64312520	1		

5.2 Individual parts

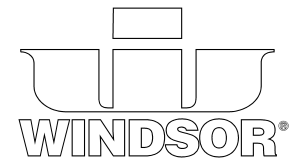
POS	DESCRIPTION ADDITIONAL INFORMATIONS	PART NO	QTY.	FROM SER.NR.	UP TO SER. NR.
33	Screw 5x16 -10.9-P2R (K-In6Rd)	73031070	6		
34	Washer 12-A2 ISO 7090	73120540	2		
35	Bolt bearing head	53171890	1		
36	RUBBER BUSHING	53790280	1		
37	Rope rear BR	41720270	1		
38	Solenoid valve 24V	64729970	1		
39	Hose DN12,5	63882480	1		
	TO ORDER AS CUT GOODS				
40	BANNER	63886040	2		
41	Bush	51127950	1		
42	Sleeve	51127940	1		
43	Screw 5x16 -A2-70 (In6RD)	73031040	1		
44	QUICK FASTENER	63431800	1		
45	Hexagon nut M 6-A2-70 ISO 4032	73110670	1		
46	Hexagonal head screw M 6x16-A4-70 ISO 4	73045210	1		
47	Screw 4x16 -A2-70 (In6Rd)	73030260	2		
48	Screw 4x20 -A2-70 (In6Rd)	73031170	6		
49	Rubberlip BR 55	51902520	1		
50	Plate rubberlip BR55	50560550	1		
51	Washer 4-A2 ISO 7093-1	73122930	2		
52	Seal string cellular rubber 4	62730700	1		
	TO ORDER AS CUT GOODS				
53	Shim ring 12x18x1 -St2K50 DIN988	73432120	1		
54	Bracket BR 55	51291280	1		
55	Additional weight BR	51291270	7		
56	Hexagonal head screw M 8x45-8.8-A2E ISO	73044070	2		
57	Washer 8 -200HV-A3E ISO 7090	73120040	2		
58	Hexagon nut M 8x1,0-6-A2E DIN 985	73114390	2		
59	Screw 6x20 -10.9-R2R (In6Rd)	73031120	4		
60	Double serrated lock washer D6,1	69582820	1		
61	Add-on kit sweep tank BR 55	26412990	1		
62	Sweep tank synchronous run BR 55/40	50328990	1		

5.2 Individual parts

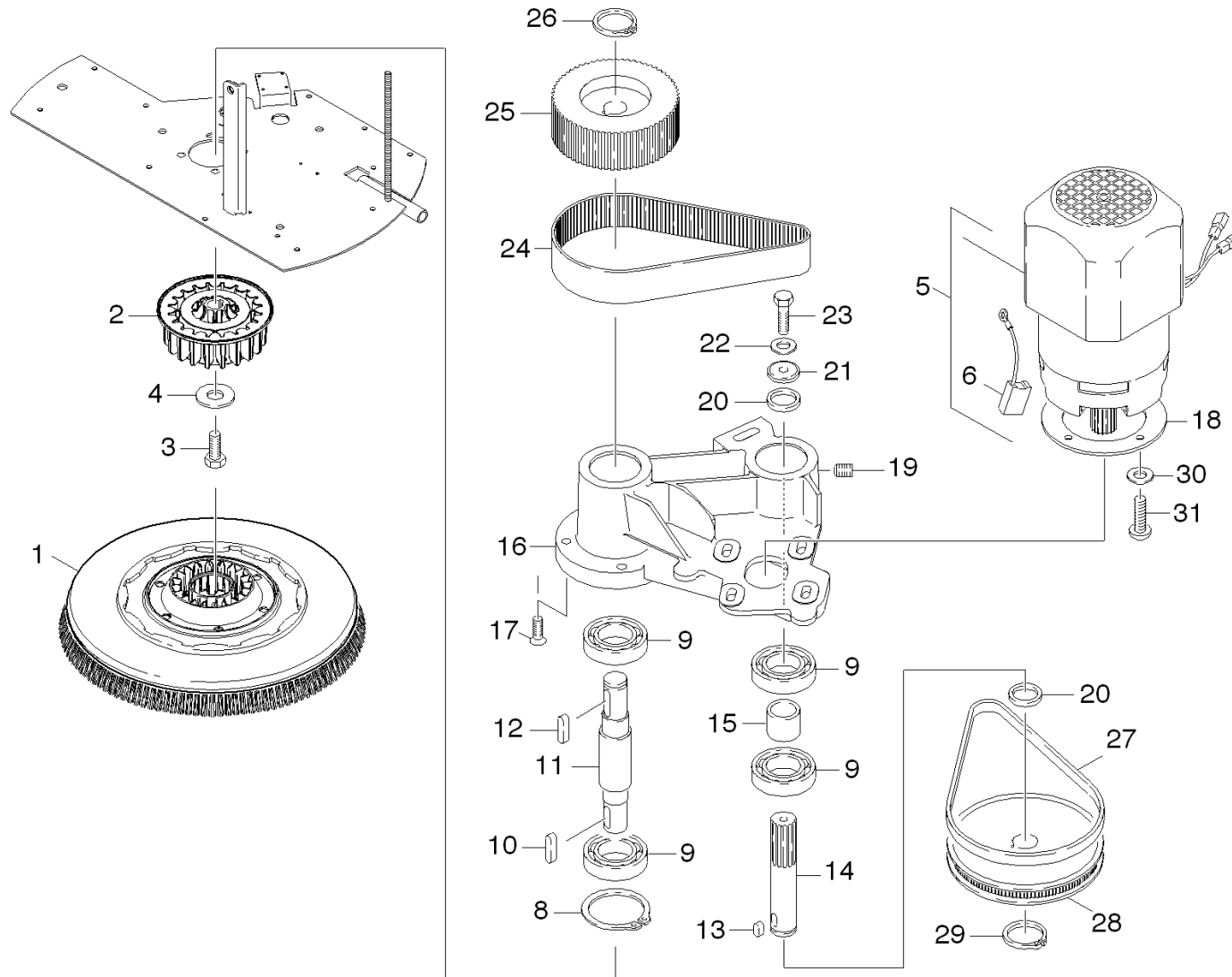
POS	DESCRIPTION ADDITIONAL INFORMATIONS	PART NO	QTY.	FROM SER.NR.	UP TO SER. NR.
63	Spring pin 5x40 -A ISO 8752	73140390	1		
64	Sleeve tank closure	55170060	1		

6.0 Brush-head Compact 22

6.1 Transmission
6.2 Individual parts



6.1 Transmission



6.1 Transmission

POS	DESCRIPTION ADDITIONAL INFORMATIONS	PART NO	QTY.	FROM SER.NR.	UP TO SER. NR.
1	Disc brushes complete nature BD 55/40	49050070	1		
1	Disc brushes complete white BD 55/40	49050080	1		
1	Disc brushes complete black BD 55/40	49050090	1		
2	Retainer transmission die casting	51224620	1		
3	Hexagonal head screw M8x16-A4-70 ISO 40	73045380	1		
4	Washer 8 -A2 ISO 7094	73122680	1		
5	DC MOTOR	66130710	1		
6	CARBON BRUSH SET BR-BD 530, 550 ATAS	66102390	1		
8	Locking ring 47x1,75 -St-ph DIN 472	73431150	1		
9	Ball bearing 6204-2RS-WAELZLAGST DIN 625	74011730	4		
10	Parallel key 6x6x25 -C45R DIN 6885-1	73180300	1		
11	SHAFT 1 RIEMENGETR.	51003780	1		
12	Parallel key 6x6x28 -C45R DIN 6885-1	73180310	1		
13	Parallel key 6x6x12 -C45R DIN 6885-1	73180040	1		
14	SHAFT 2 RIEMENGETRIEBE	51003790	1		
15	BUSH	51126190	1		
16	Holder gear belt BD 530	50446430	1		
17	Countersunk screw M8x20-St-A3E DIN7500(I	73032260	3		
18	RING MOTOR	51144800	1		
19	Threaded pin M10X 12-A1-50 ISO 7435	73073010	1		
20	Bush	51126160	2		
21	BORDSCHEIBE	51159130	1		
22	Washer 6 -200HV-A3E ISO 7090	73120030	1		
23	Screw M6x10 -A2-70 (In6Rd)	73061910	1		
24	TOOTHED BELT	63483840	1		
25	LOCK WASHER 63Z	56254020	1		
26	Locking ring 18x1,2-Rf-St DIN 471	73430180	1		
27	TOOTHED BELT	63483830	1		
28	LOCK WASHER 125Z	56254030	1		
29	Locking ring 20x1,2-FST-RF DIN 471	73430070	1		
30	Washer 6 -A2 ISO 7093-1	73122920	4		

6.1 Transmission

POS	DESCRIPTION	PART NO	QTY.	FROM SER.NR.	UP TO SER. NR.
-----	-------------	---------	------	--------------	----------------

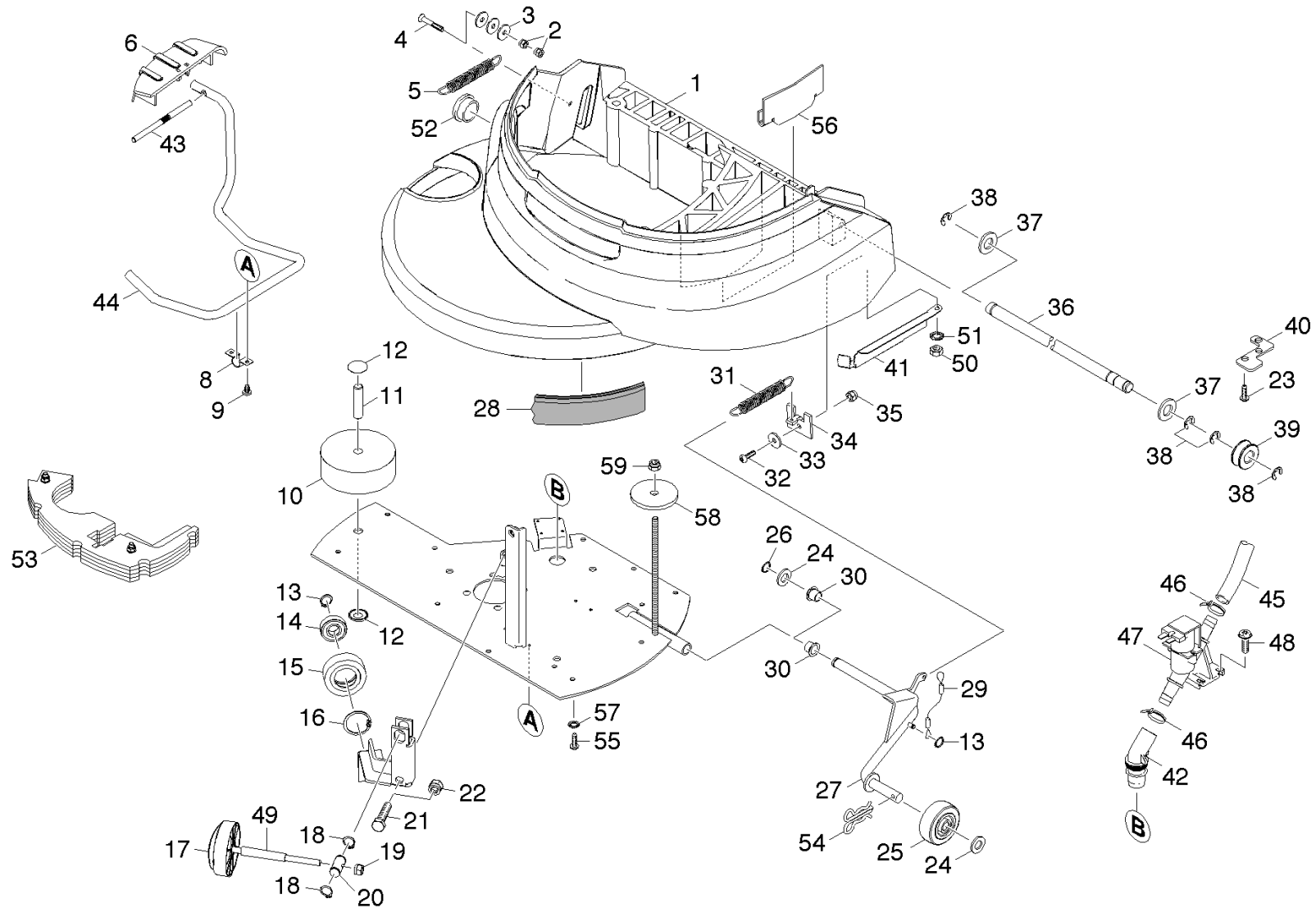
ADDITIONAL INFORMATIONS

31	Screw M6x16 -8.8-R3R (In6Rd)				
----	------------------------------	--	--	--	--

73060900

4

6.2 Individual parts



6.2 Individual parts

POS	DESCRIPTION ADDITIONAL INFORMATIONS	PART NO	QTY.	FROM SER.NR.	UP TO SER. NR.
1	Cover BD 55	50328830	1		
2	Hexagon nut M 6-A2-70 ISO 7040	73110220	2		
3	Washer 6 -100HV-A3E ISO 7094	73122600	3		
4	FLAT HEADED SCREW M 6X 40	73050580	1		
5	EXTENSION SPRING	63300930	1		
6	Pedal lever notch	54813700	1		
8	Pipe clamp	63736890	2		
9	Screw M5x8 -St-A2R (In6Rd)	73030360	4		
10	ROLLER	55150960	1		
11	Axle	53171750	1		
12	QUICK FASTENER	63432240	2		
13	Locking ring 15x1-FST-RF DIN 471	73430150	2		
14	Ball bearing 6202-2RS -Wälzl.St DIN 625	74011280	1		
15	ROLLER	54350010	1		
16	Locking ring 35x1,5-FST-BR DIN 472	73431670	1		
17	Handle three parts	53217830	1		
18	Locking ring 14x1-FST-RF DIN 471	73430360	2		
19	Hexagon nut M 8-A2-70 ISO 7040	73115140	1		
20	Bolt	53171810	1		
21	Hexagonal head screw M10x45-A4-70 ISO 4	73048060	1		
22	Hexagon nut M10-A2-70 ISO 7040	73115240	1		
23	Screw 6x20 -10.9-R2R (In6Rd)	73031120	2		
24	Washer 12-A2 ISO 7090	73120540	2		
25	Wheel VPA 80/12G	64357450	1		
26	Locking ring 12x1 -FSt DIN 471	73430830	1		
27	Holder feed roll	40440710	1		
28	Sealing lip TO ORDER AS CUT GOODS	53652220	1		
29	Rope BR/BD	41720280	1		
30	Flanged bushing	63470840	2		
31	Extension spring	63302550	1		
32	Screw M5x16 -8.8-R2R (In6Rd)	73060770	1		

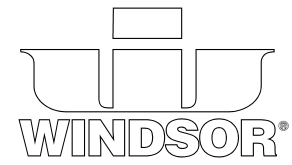
6.2 Individual parts

POS	DESCRIPTION ADDITIONAL INFORMATIONS	PART NO	QTY.	FROM SER.NR.	UP TO SER. NR.
33	Washer 5-A2 ISO 7094	73122670	1		
34	Sheet metal component	50578220	1		
35	Hexagon nut M 5-A2-70 ISO 4032	73110650	1		
36	Bolt bearing head	53171800	1		
37	Washer 12-CuZn ISO 7092	73120750	2		
38	Locking ring 8-A2 DIN 6799	73433030	4		
39	Deflection pulley	53171910	1		
40	Plate fuse rope	50088960	1		
41	Plate stop BD	50511160	1		
42	RUBBER BUSHING	53790280	1		
43	Axle knurled	51056210	1		
44	Strap	50347550	1		
45	Hose DN12,5 TO ORDER AS CUT GOODS	63882480	1		
46	BANNER	63886040	2		
47	Solenoid valve 24V	64729970	1		
48	Screw M4x12 -St-R2R (In6Rd)	73030320	4		
49	Sleeve	53400020	1		
50	Hexagon nut M 8-A2-70 ISO 4032	73110680	1		
51	Shim ring 12x18x1 -St2K50 DIN988	73432120	1		
52	Cap	66324270	1		
53	Additional weight belt drive BD 45-55/40 ACCESSORIES	40310850	1		
54	SPRING CLIP	63130220	1		
55	Screw 6x25 -10.9-A2R (In6Rd)	73031130	10		
56	Sheet metal component support BD 45/40	50096120	1		
57	Toothed lock washer A6,4-FSt-A3E DIN 67	73121670	10		
58	COVER DISK	51156900	1		
59	Hexagon nut M 8-8-A2E ISO 7040	73115100	1		

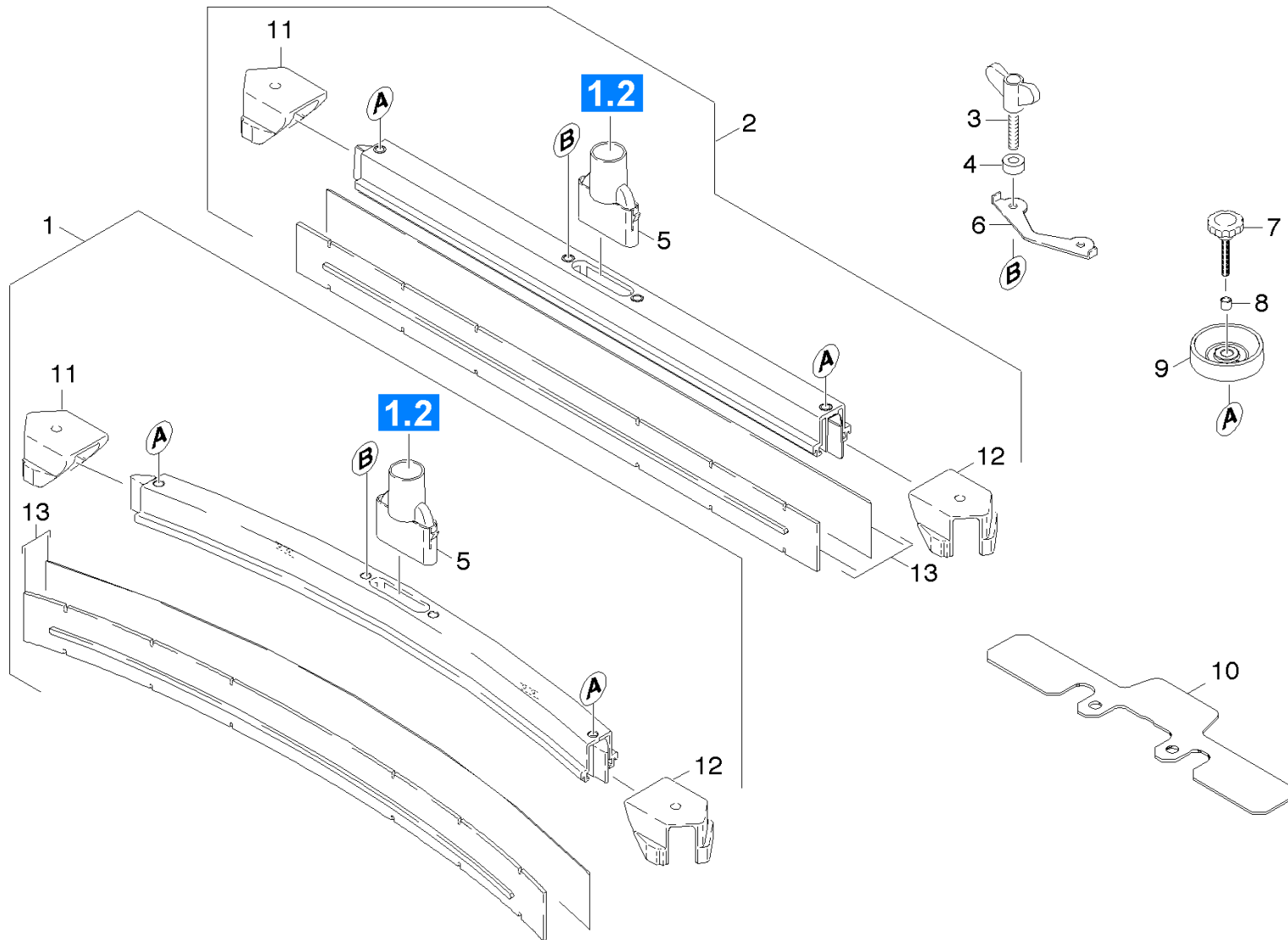
7.0 Suction bar

7.1 Suction bar

7.2 Suction beam retraction



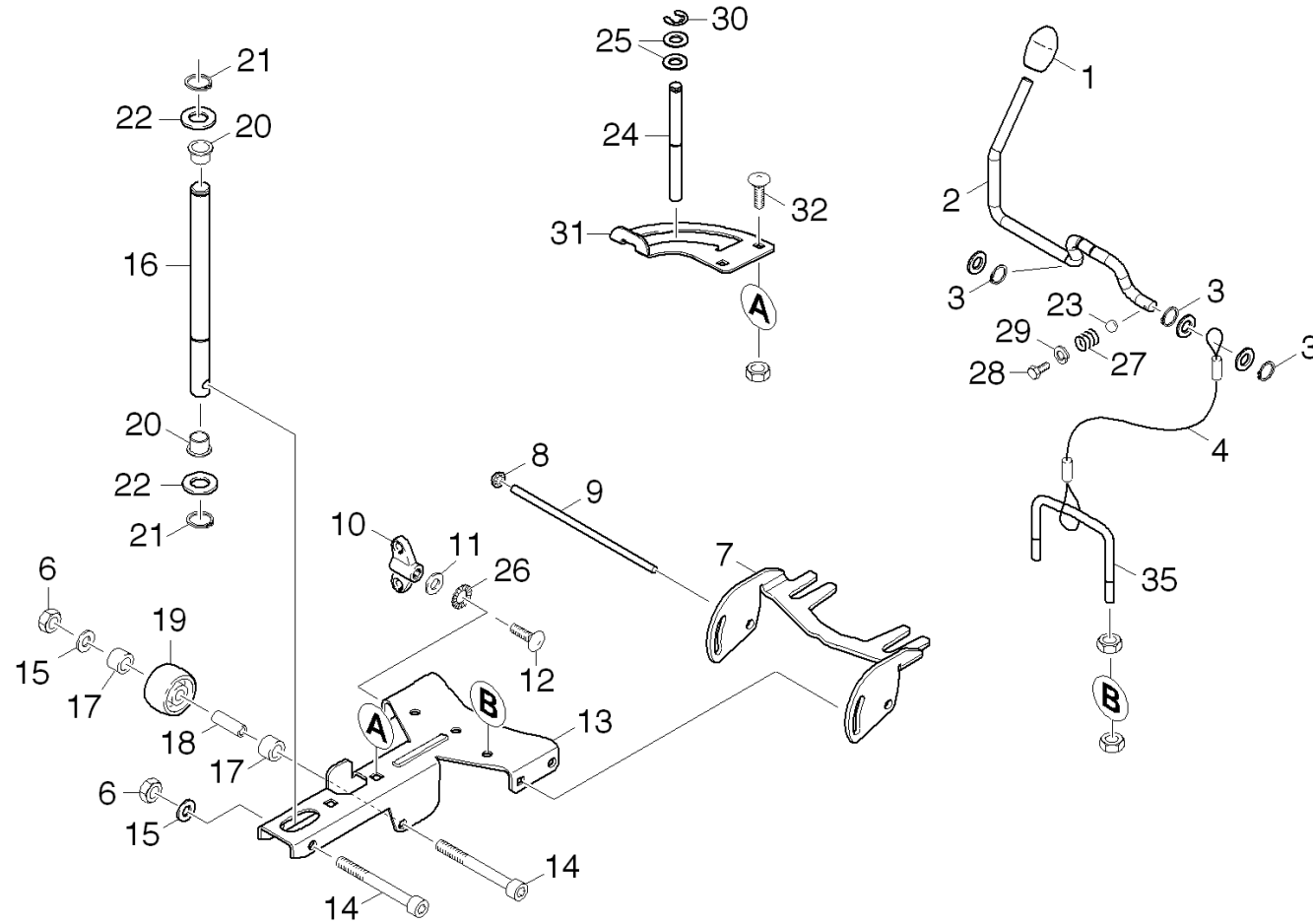
7.1 Suction bar



7.1 Suction bar

POS	DESCRIPTION ADDITIONAL INFORMATIONS	PART NO	QTY.	FROM SER.NR.	UP TO SER. NR.
1	Suction bar curved	47770710	1		
2	Suction bar straight	47770700	1		
3	Wing screw M8x40 VA	53052960	2		
4	Sleeve VA	51128100	2		
5	CONNECTING PIECE	50319890	1		
6	Plate	50072170	1		
7	Star grip VA	63212110	2		
8	Sleeve suction bar in VA	50942310	2		
9	Deflector roll suction bar	55152670	2		
10	ADDITION WEIGHT SAUGBALKEN	51283390	1		
11	End piece right	50319910	1		
12	End piece left	50319900	1		
13	Rubber lip set oil resistant BR-BD530,55 OIL RESISTANT	62732070	1		
13	Rubber lip set standard STANDARD	62732130	1		
13	Rubber lip set anti stripe oil resistant ANTI-STRIP, OIL RESISTANT	62732290	1		

7.2 Suction beam retraction



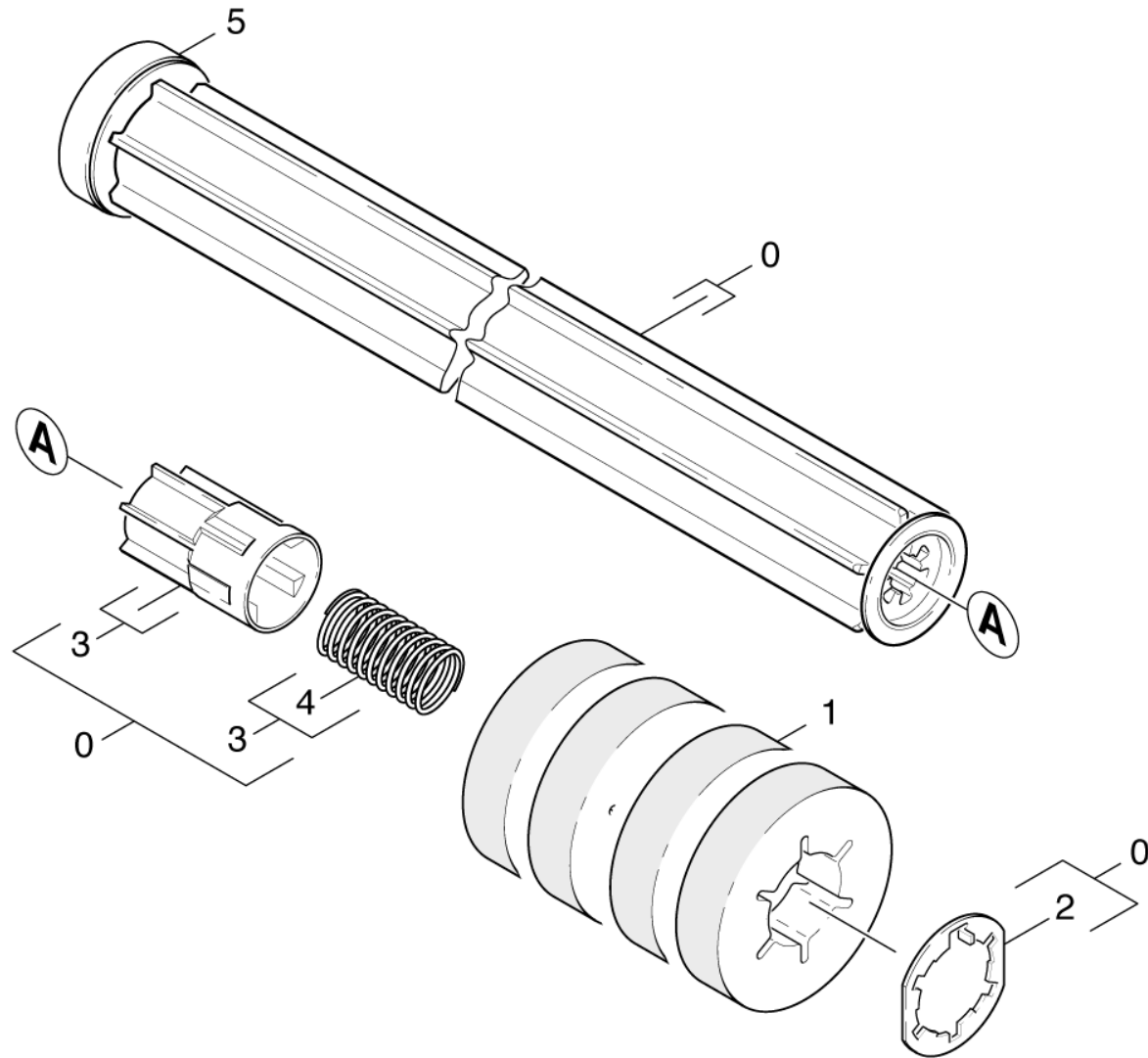
7.2 Suction beam retraction

POS	DESCRIPTION ADDITIONAL INFORMATIONS	PART NO	QTY.	FROM SER.NR.	UP TO SER. NR.
1	HANDLE	63211850	1		
2	Strap	50347580	1		
3	Lock washer 7-A2 DIN 6799	73433000	2		
4	Rope suction beam retraction	41720310	1		
5	Hexagon nut M 8-04-A2E ISO 4035	73112240	1		
6	Hexagon nut M8 -04-A2E ISO 10511	73114270	3		
7	Rocker suction bar	50589870	1		
8	Lock washer 8	63431320	2		
9	Bar	51072020	1		
10	Wing nut M 6	63101290	2		
11	Washer 6 -A2 ISO 7093-1	73122920	2		
12	Saucer-head screw M6x20 -A2 DIN 603	73031390	2		
13	Sheet metal component holder suction bar	50094990	1		
14	Cylinder head screw M8x55 -A4-70 ISO 47	73062220	2		
15	Washer 8-A2 ISO 7089	73120170	2		
16	Bolt suction bar short	50095000	1		
17	SLEEVE	51107360	2		
18	Bush	51126330	1		
19	ROLLER	54350040	1		
20	BEARING BUSH	64374840	2		
21	Lock washer 12-St-A2E DIN 6799	73433060	2		
22	WASHER	51157110	2		
23	Sphere 7 G300 -1.4301 DIN 5401	74019080	1		
24	Bolt stop suction bar	50095010	1		
25	Washer 12-200HV-A3E ISO 7090	73120080	2		
26	Serrated lock washer A6,4-1.4310 DIN679	73120200	2		
27	HELICAL SPRING	53323760	1		
28	Hexagonal head screw M 8x0-8.8-A2E ISO	73043930	1		
29	Spring washer B 8-1.4310 DIN 127	73130150	1		
30	Lock washer 9-St-ph DIN 6799	73432050	1		
31	Plate guide suction bar	50095760	1		
32	Saucer-head screw M8x16-A2 DIN 603	73032020	2		

7.2 Suction beam retraction

POS	DESCRIPTION ADDITIONAL INFORMATIONS	PART NO	QTY.	FROM SER.NR.	UP TO SER. NR.
33	Strap suction beam retraction	50348290	1		

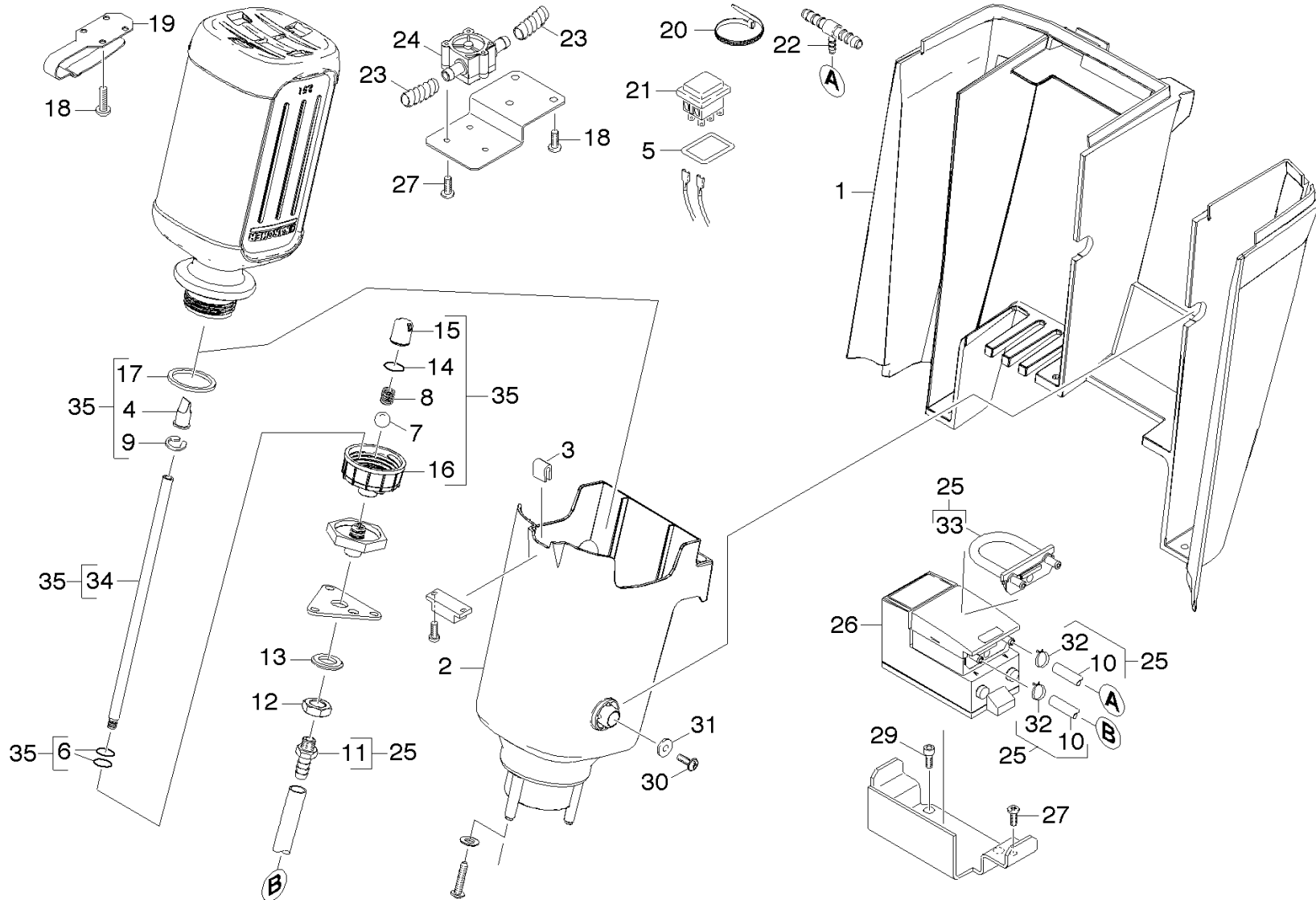
8.0 Roll pad



8.0 Roll pad

POS	DESCRIPTION ADDITIONAL INFORMATIONS	PART NO	QTY.	FROM SER.NR.	UP TO SER. NR.
0	Roll Pad BR55	47624150	1		
1	Pad yellow with sleeve	63697320	1		
1	Pad green with sleeve	63697330	1		
1	Pad red with sleeve	63697340	1		
1	Pad white with sleeve	63697350	1		
2	Washer closure	41150030	1		
3	HUB PADWALZE	51203130	1		
4	HELICAL SPRING	53324690	1		
5	Sheet metal component thread deflector	40386770	1		

9.0 RM metering



9.0 RM metering

POS	DESCRIPTION ADDITIONAL INFORMATIONS	PART NO	QTY.	FROM SER.NR.	UP TO SER. NR.
1	Covering cap electronics BAT/PACK Dose	50329010	1		
2	Tank cleaning agents	50088570	1		
3	Plate holder magnet	50089040	1		
4	Ventilating valve cleaning agents	64148930	1		
5	Label switch yellow	53912270	1		
6	GASKET 5,0 X 1,0	63629100	2		
7	Sphere 10,0 G100-1.4301 DIN 5401	74019170	1		
8	HELICAL SPRING	53322590	1		
9	Locking ring 8-A2 DIN 6799	73433030	1		
10	Hose chemistry DN 6 TO ORDER AS CUT GOODS	63913410	1		
11	Hose stem DN 6 - M10x1	63859930	1		
12	Hexagon nut M16x1,5-04-A2E ISO 8675	73111100	1		
13	Washer 16 -A2 ISO 7090	73120570	1		
14	O RING	63625770	1		
15	Holder spring closure RM-FI.	50329130	1		
16	Cover cleaning agents	40606250	1		
17	Seal	63633040	1		
18	Screw 5x16 -10.9-P2R (K-In6Rd)	73031070	7		
19	Spring blank holder bottle RM	53325530	1		
20	HOLDER	66414740	6		
21	Switch chemistry	66324000	1		
22	T-Piece 12-6-12	63951880	1		
23	Spiral hose TO ORDER AS CUT GOODS	63908920	1		
24	Flowmetre	64290380	1		
25	Conversion kit hose dosing pump	28826350	1		
26	Dosing pump connection DN6	67622050	1		
27	Screw 4x12 -10.9-R2R (IN6RD)	73031060	3		
28	FLAT SCREW	73064060	1		
29	Cylinder head screw M8x16 -8.8-A2E ISO4	73060400	2		
30	Screw 6x20 -10.9-R2R (In6Rd)	73031120	2		

9.0 RM metering

POS	DESCRIPTION ADDITIONAL INFORMATIONS	PART NO	QTY.	FROM SER.NR.	UP TO SER. NR.
31	WASHER	51151500	2		
32	HOSE BAND CLIP	63899240	2		
33	Hose dosing pump only for replacement	54435560	1		
34	Connecting pipe	53400010	1		
35	Set cleaning agents bottle	40407080	1		