



# WRANGLER

## 1503 AE 115 Vac

**USA** *Spare parts catalogue*

**FR** *Catalogue de pièces de rechange*

**I** *Catalogo parti di ricambio*



09/2011



### **NSS® Enterprises, Inc.**

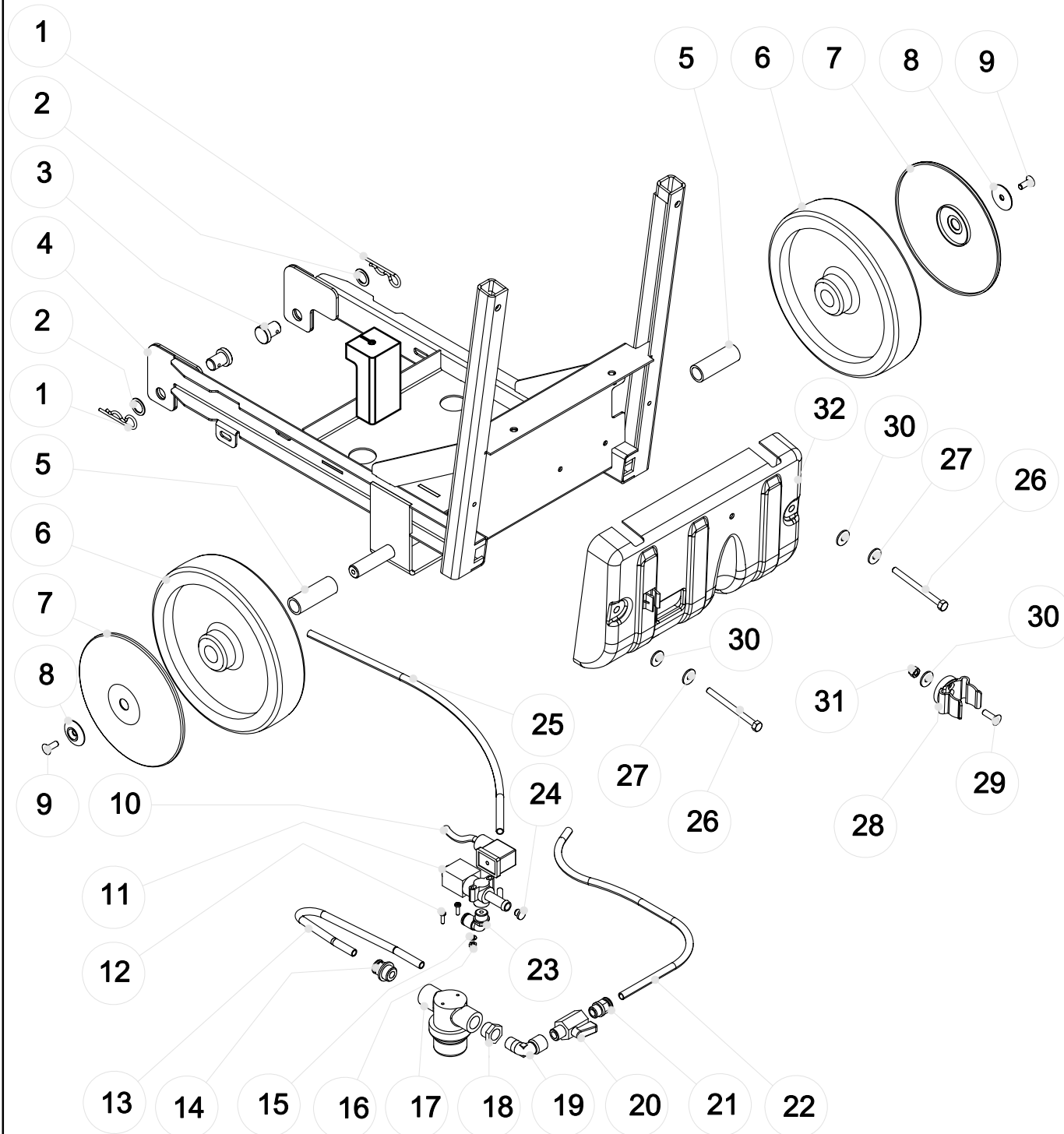
3115 Frenchmens Road, Toledo, Ohio 43607  
PHONE: (419) 531-2121 FAX: (419) 531-3761

**NSS® Enterprises, Inc. European Distribution Centre**  
Unit II Pinfold Trading Estate \* 55 Nottingham Road  
STAPLEFORD NOTTINGHAM NG9 8AD ENGLAND U.K.  
PHONE: (44) 0115 939 1568 \* FAX: (44) 0115 949 0615



### TAV. N° 5047

#### CHASSIS ASSEMBLY - 115Vac



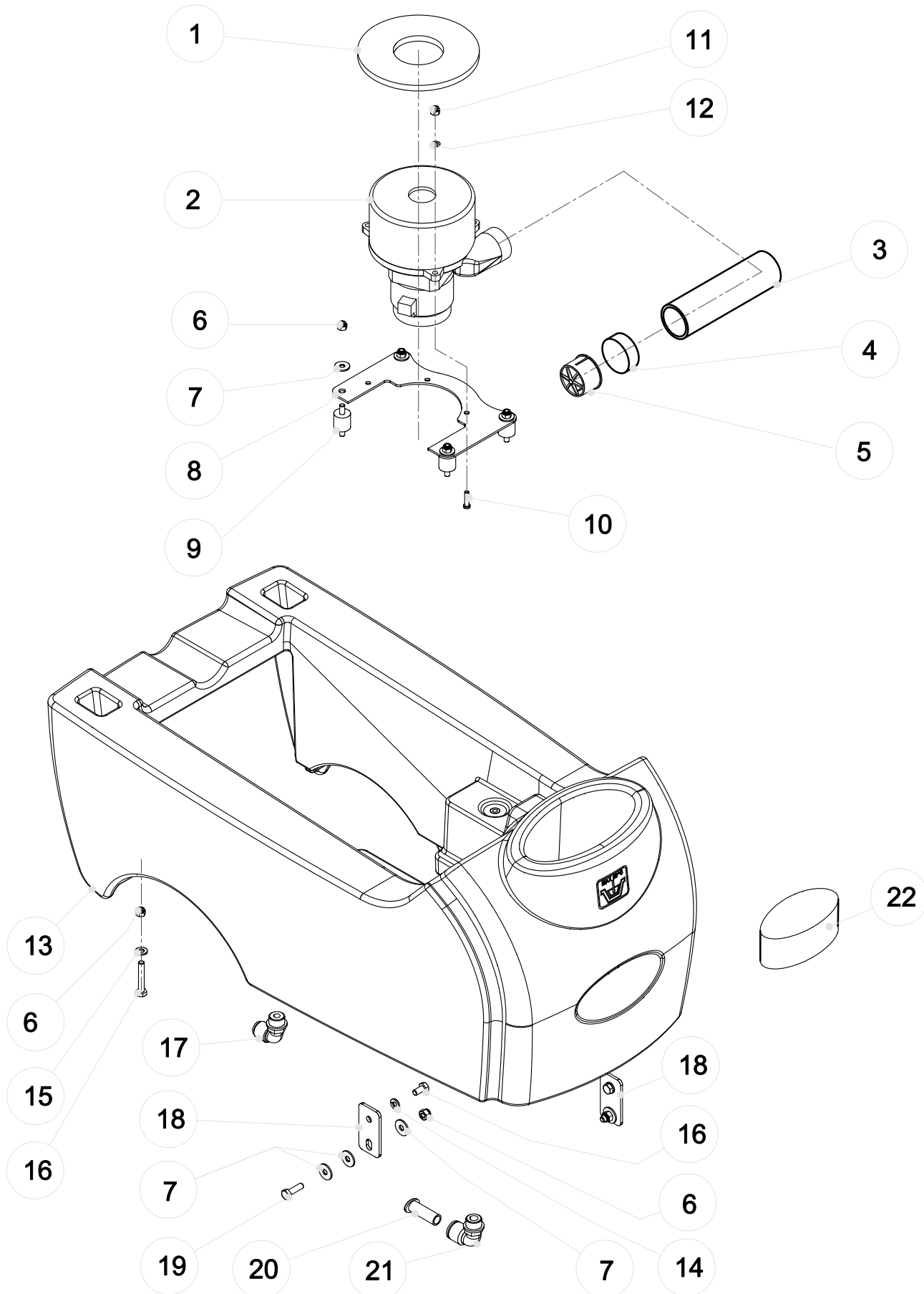
### TAV. N° 5047

#### CHASSIS ASSEMBLY - 115Vac

POS.	DESCRIZIONE	DESCRIPTION	DESCRIPTION	Q.tà	COD.	NOTE
1	Copiglia	Goupille	Split pin	2	1290241	
2	Rasamento	Racleur	Trust washer	2	1292151	
3	Perno	Pivot	Pin	2	1290221	
4	Telaio	Châssis	Chassis	1	1292081	
5	Tubo ruota	Tuyau roue	Wheel tube	2	1290021	
6	Ruota Ø200x40	Roue Ø200x40	Wheel Ø200x40	2	1290031	■
7	Parafilo	Parafilo	Centre wheel	2	1290271	
8	Rondella	Rondelle	Washer	2	1290291	
9	Vite	Vis	Screw	2	1290261	
10	Cavo elettrovalvola	Cable electrovalve	Solenoid valve cable	1	1292291	
11	Elettrovalvola	Electrovalve	Solenoid valve	1	1292171	■
12	Vite	Vis	Screw	2	1290071	
13	Tubo	Tuyau	Hose	1	1290191	L = 400mm
14	Raccordo	Raccord	Connection	1	1290121	
15	Rondella	Rondelle	Washer	2	1290141	
16	Dado	Ecrou	Nut	2	1290151	
17	Filtro	Filtre	Filter	1	1290061	■
18	Raccordo	Raccord	Connection	1	1290081	
19	Raccordo	Raccord	Connection	1	1290091	
20	Rubinetto	Robinet	Tap	1	1290101	
21	Raccordo	Raccord	Connection	1	1290111	
22	Tubo	Tuyau	Hose	1	1290201	L = 360mm
23	Raccordo	Raccord	Connection	1	1290171	
24	Tappo	Bouchon	Cap	1	1290181	
25	Tubo	Tuyau	Hose	1	1290211	L = 560mm
26	Vite	Vis	Screw	2	1291691	
27	Rondella	Rondelle	Washer	2	1290441	
28	Fascetta	Collier de serrage	Clamp	1	1290581	
29	Vite	Vis	Screw	1	1291781	
30	Rondella	Rondelle	Washer	3	1290321	
31	Dado	Ecrou	Nut	1	1291071	
32	Copertura	Carter	Cover RAL 7016	1	1292021	

TAV. N° 5051

SOLUTION TANK ASSEMBLY



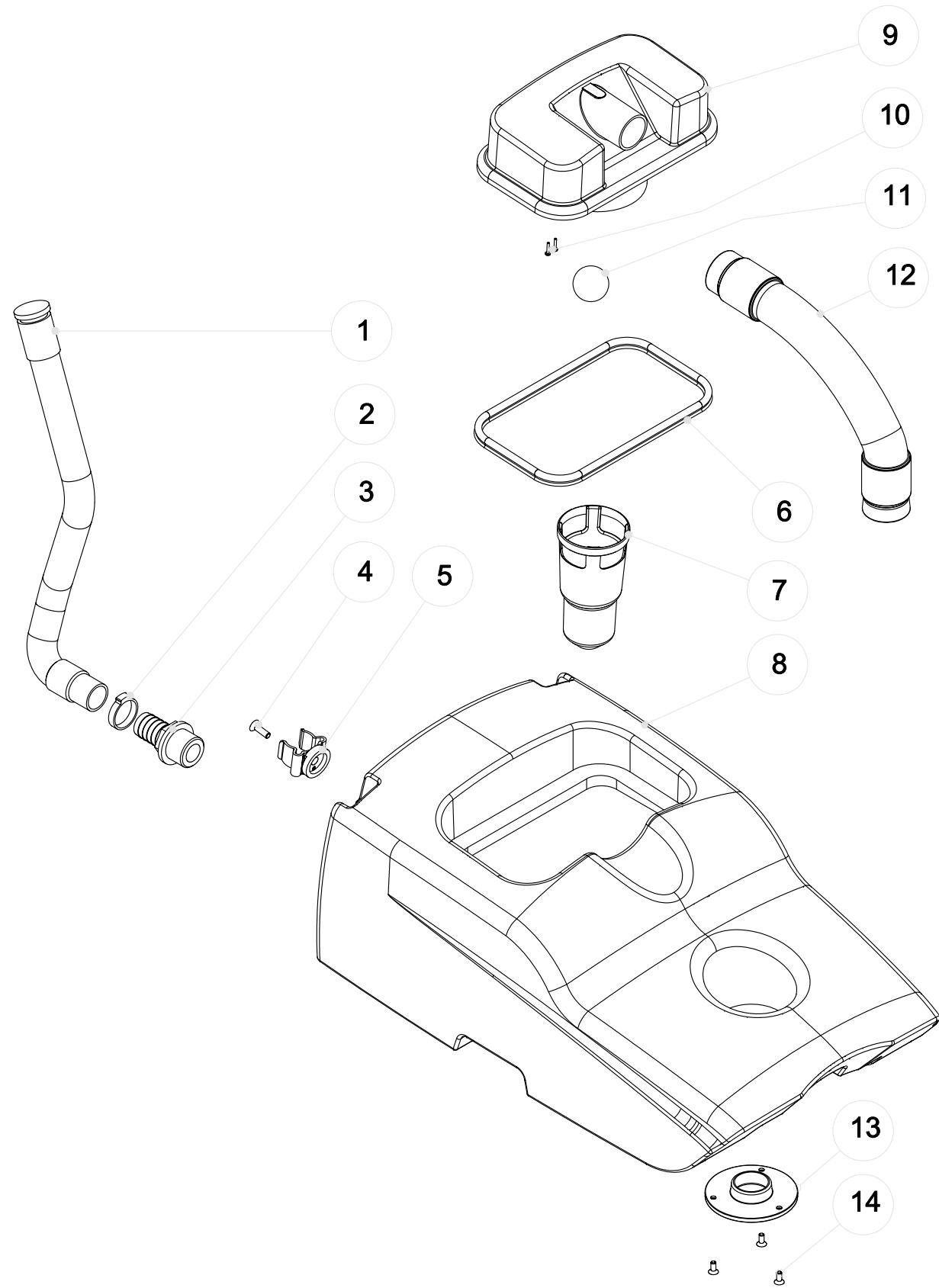
TAV. N° 5051

SOLUTION TANK ASSEMBLY

POS.	DESCRIZIONE	DESCRIPTION	DESCRIPTION	Q.tà	COD.	NOTE
1	Guarnizione	Joint	Gasket	1	1290381	
2	Turbina 120 Vac	Turbine 120Vac	Turbine 120Vac	1	1292141	■
3	Tubo	Tuyau	Hose	1	1290531	
4	Fonossorbente	Insonorisant	Soundproofing	1	1292421	
5	Griglia	Grille	Grid	1	1292011	
6	Dado	Ecrou	Nut	8	1291711	
7	Rondella	Rondelle	Washer	10	1290321	
8	Supporto	Support	Holder	1	1292091	
9	Antivibrante	Anti-vibration	Anti-vibrating	4	1290361	■
10	Vite	Vis	Screw	3	1291941	
11	Dado	Ecrou	Nut	3	1290911	
12	Rondella	Rondelle	Washer	3	1290921	
13	Tanica soluzione	Cuve	Solution tank	1	1291401	
14	Rondella	Rondelle	Washer	4	1290441	
15	Rondella	Rondelle	Washer	2	1290451	
16	Vite	Vis	Screw	4	1290461	
17	Raccordo	Raccord	Connector	1	1290471	
18	Piastrina	Plaque	Plate	2	1290481	
19	Vite	Vis	Screw	2	1290491	
20	Tappo	Bouchon	Cap	1	1290501	■
21	Raccordo	Raccord	Connector	1	1290511	
22	Filtro	Filtre	Filter	1	1290521	

**TAV. N° 5002**

RECOVERY TANK ASSEMBLY

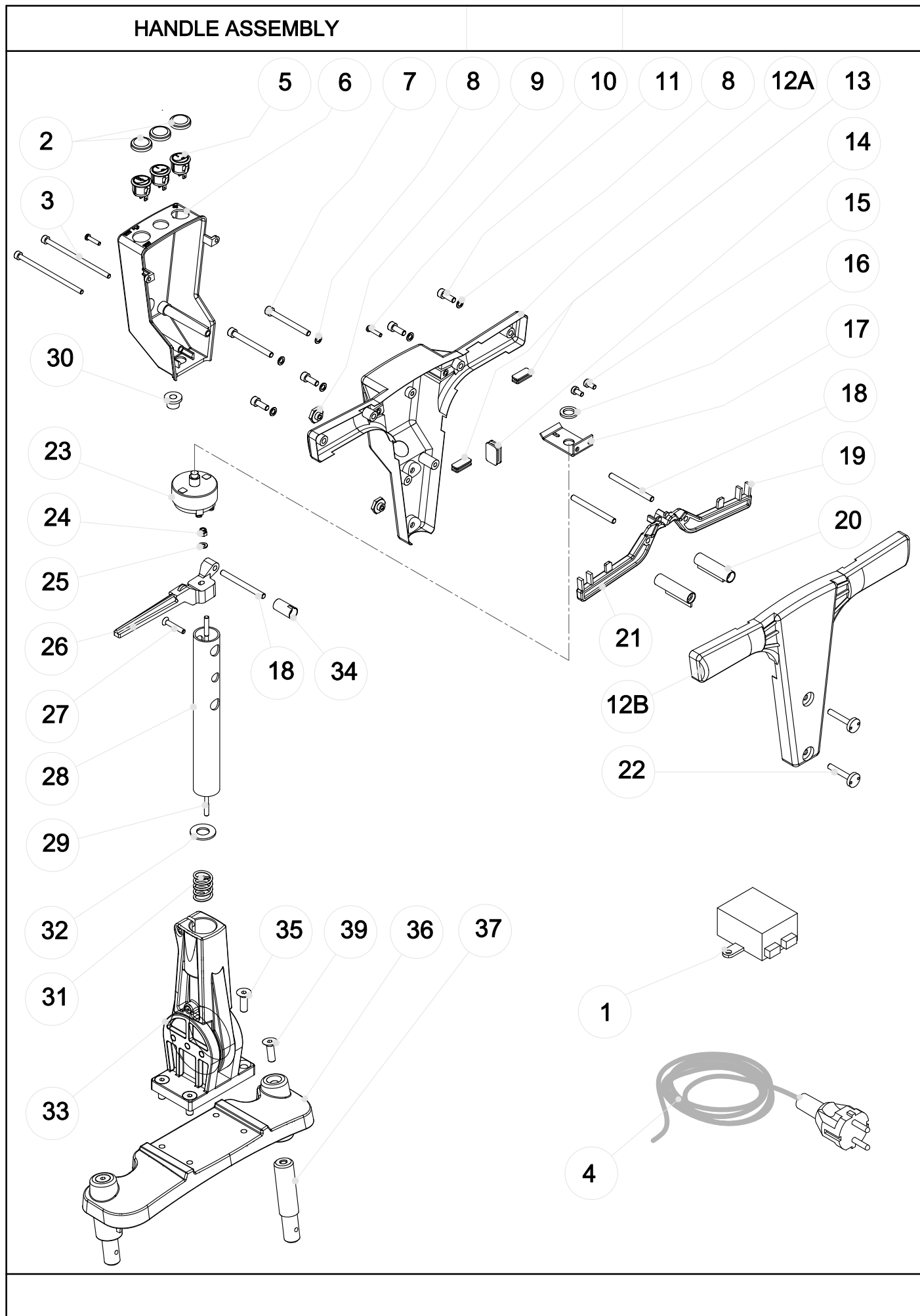


**TAV. N° 5002**

RECOVERY TANK ASSEMBLY

POS.	DESCRIZIONE	DESCRIPTION	DESCRIPTION	Q.tà	COD.	NOTE
1	Tubo scarico	Tuyau de drainage	Waste hose	1	1290541	●
2	Fascetta	Collier de serrage	Clamp	1	1290551	
3	Raccordo	Raccord	Connection	1	1290561	
4	Vite	Vis	Screw	1	1290571	
5	Fascetta	Collier de serrage	Clamp	1	1290581	
6	Guarnizione	Groupe	Group	1	1290591	
7	Cono	Cône	Cone	1	1290601	
8	Tanica recupero	Cuve pour l'eau sale	Recovery tank	1	1290611	
9	Tappo	Bouchon	Cap	1	1290621	
10	Vite	Vis	Screw	2	1290631	
11	Pallina	Balle	Ball	1	1290641	
12	Tubo	Tuyau	Hose	1	1290651	
13	Bloccaggio	Serrage	Lock off	1	1290661	
14	Vite	Vis	Screw	3	1290671	

TAV. N° 5053

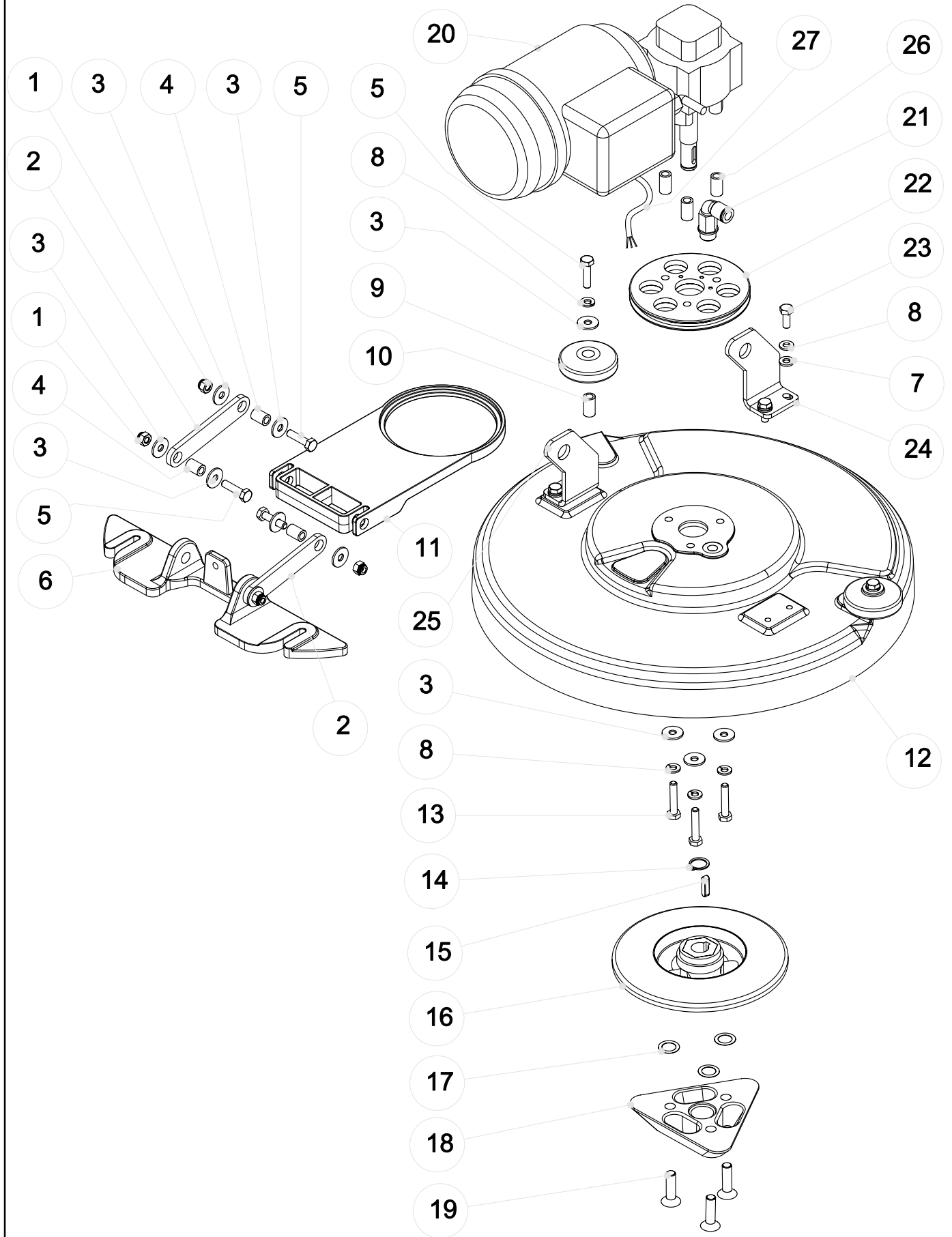


TAV. N° 5053

HANDLE ASSEMBLY						
POS.	DESCRIZIONE	DESCRIPTION	DESCRIPTION	Q.tà	COD.	NOTE
1	Filtro antisturbo	Filtre RFI réseau	RFI filter network	1	1292311	•
2	Cappuccio	Couverture	Cover	3	1290691	•
3	Vite	Vis	Screw	2	1290701	
4	Cavo d'alimentazione	Cordon d'alimentation	Power cord	1	1292351	
5	Interruttore 0-1	Interrupteur 0-1	Switch 0-1	3	1292281	•
6	Cruscotto	Tableau de bord	Panel	1	1290731	
7	Vite	Vis	Screw	2	1290741	
8	Rondella	Rondelle	Washer	6	1290751	
9	Dado	Ecrou	Nut	2	1290761	
10	Vite	Vis	Screw	2	1290771	
11	Vite	Vis	Screw	4	1290781	
12A	Impugnatura	Manchon	Handle	1	1290791	
12B	Impugnatura	Manchon	Handle	1	1291911	
13	Tappo	Bouchon	Cap	2	1290801	
14	Tappo	Bouchon	Cap	1	1290811	
15	Vite	Vis	Screw	2	1290821	
16	Rondella	Rondelle	Washer	1	1290831	
17	Staffa	Support	Support	1	1290841	
18	Spina	Pivot	Pin	3	1290851	
19	Leva sinistra	Levier gauche	Left lever	1	1290861	
20	Distanziale	Entretoise	Spacer	2	1290871	
21	Leva destra	Levier droite	Right lever	1	1290881	
22	Vite	Vis	Screw	2	1290891	
23	Interruttore	Interrupteur	Switch	1	1290901	
24	Dado	Ecrou	Nut	1	1290911	
25	Rondella	Rondelle	Washer	1	1290921	
26	Maniglia	Manchon	Handle	1	1290931	
27	Vite	Vis	Screw	1	1290941	
28	Stelo	Tube	Tube	1	1290951	
29	Asta	Barre	Bar	1	1290961	
30	Pressacavo	Passecâble	Fairleader	1	1290971	
31	Molla	Ressort	Spring	1	1290981	
32	Rondella	Rondelle	Washer	1	1290991	
33	Snodo	Articulation	Articulated joint	1	1291001	
34	Distanziale	Entretoise	Spacer	1	1291011	
35	Vite	Vis	Screw	2	1291021	
36	Piastra	Plaque	Plate	6	1291031	
37	Perno	Pivot	Pin	2	1291041	
39	Vite	Vis	Screw	4	1291051	

**TAV. N° 5055**

**BRUSH ASSEMBLY 115Vac**

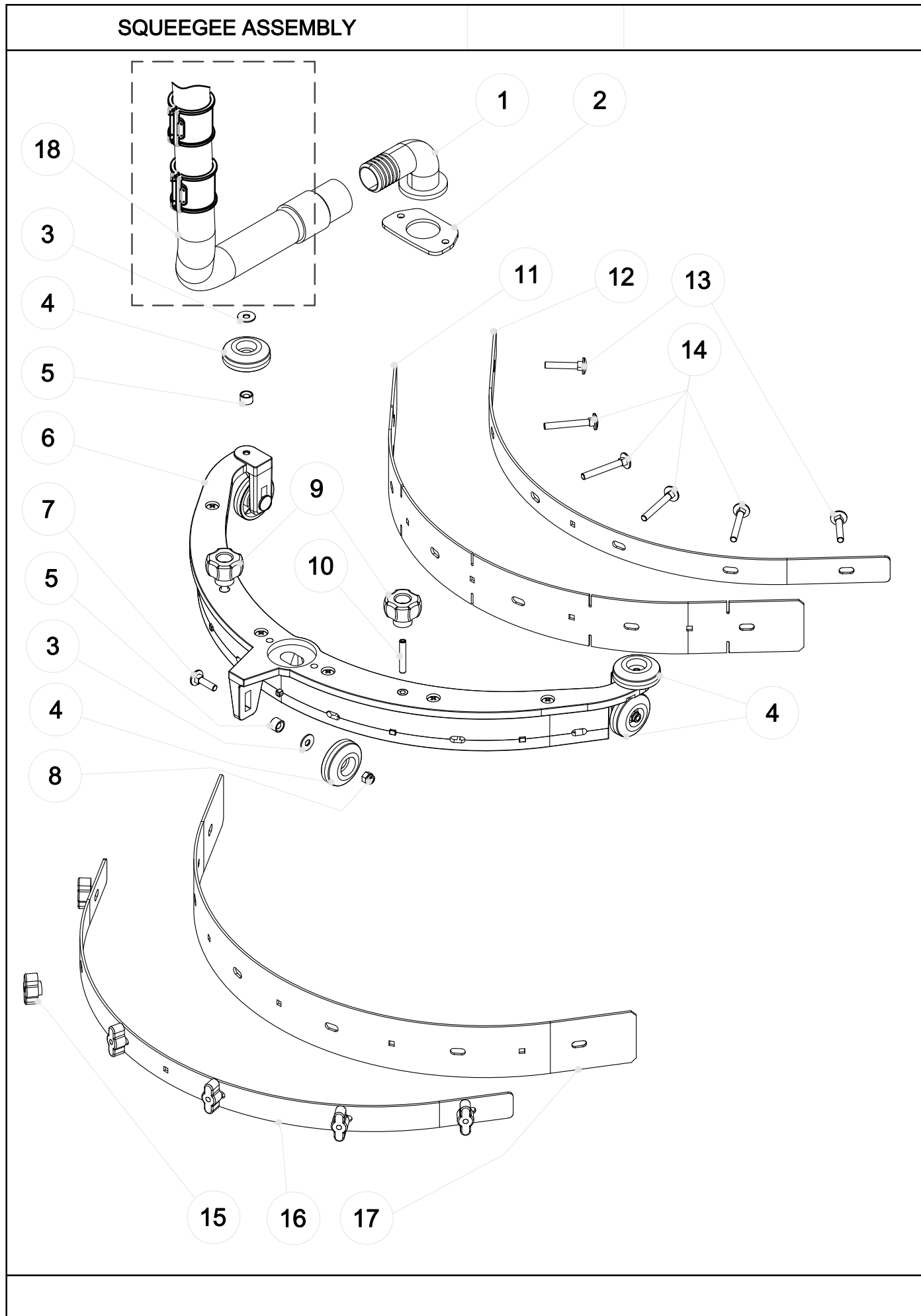


**TAV. N° 5055**

**BRUSH ASSEMBLY 115Vac**

POS.	DESCRIZIONE	DESCRIPTION	DESCRIPTION	Q.tà	COD.	NOTE
1	Dado	Ecrou	Nut	4	1291071	
2	Braccetto	Barre	Bar	2	1292061	
3	Rondella	Rondelle	Washer	13	1291091	
4	Boccola	Bouille	Bush	4	1291101	
5	Vite	Vis	Screw	6	1291111	
6	Supporto tergitoro	Support seceuer	Squeegee support	1	1291121	
7	Rondella	Rondelle	Washer	4	1291131	
8	Rondella	Rondelle	Washer	9	1291141	
9	Rotella paracolpi	Roue tampon	Bumper wheel	2	1291151	
10	Distanziale	Entretoise	Spacer	2	1291161	
11	Braccio	Barre	Bar	1	1291171	
12	Calotta	Carter	Carter	1	1291181	
13	Vite	Vis	Screw	3	1291191	
14	Seeger	Seeger	Seeger	1	1291201	
15	Linguetta	Langnette	Tang	1	1291211	
16	Mozzo	Moyeu	Hub	1	1291221	
17	Rasamento	Racleur	Thrust washer	3	1291231	
18	Innesto	Manchon	Connecting sleeve	1	1291241	
19	Vite	Vis	Screw	3	1291251	
20	Motoriduttore	Moto réducteur	Gear motor	1	1292131	•
21	Raccordo	Raccord	Connector	1	1291271	
22	Fulcro	Pivot	Fulcrum	2	1291281	
23	Vite	Vis	Screw	4	1291291	
24	Angolare	Angulaire	Angular	1	1292041	
25	Angolare	Angulaire	Angular	1	1292051	
26	Distanziale	Entretoise	Spacer	3	1292191	
27	Cavo motore	Cable moteur	Motor cable	1	1292301	

TAV. N° 5005



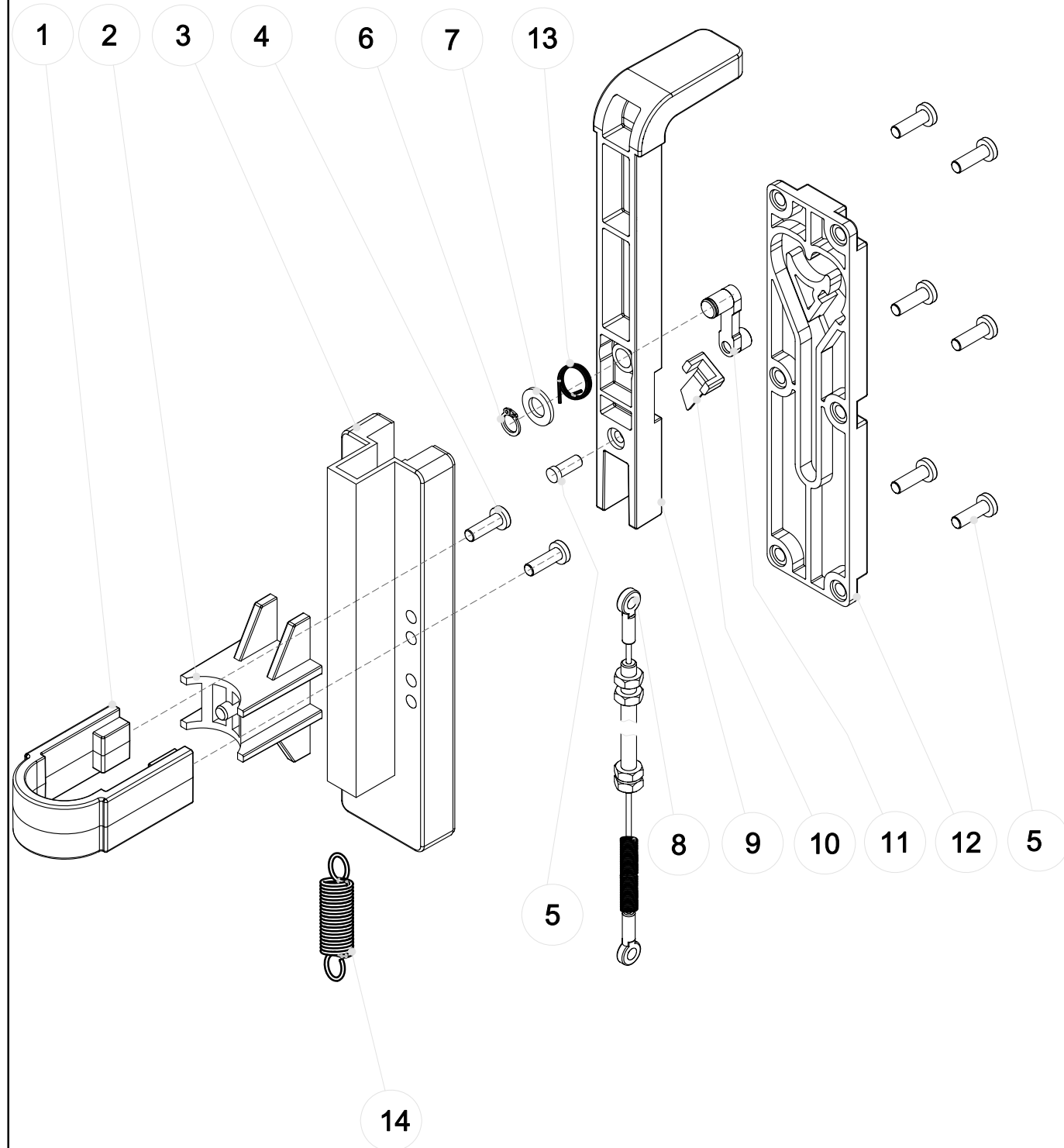
TAV. N° 5005

SQUEEGEE ASSEMBLY						
POS.	DESCRIZIONE	DESCRIPTION	DESCRIPTION	Q.tà	COD.	NOTE
1	Raccordo	Raccord	Connection	1	1291351	
2	Fermo	Arrêt	Retainer	1	1291361	
3	Rondella	Rondelle	Washer	5	1291371	
4	Rotella	Roue	Wheel	5	1291381	•
5	Distanziale	Entretoise	Spacer	5	1291391	
6	Tergitore	Seceueur	Squeegee	1	1291401	
7	Vite	Vis	Screw	3	1291411	
8	Dado	Ecrou	Nut	3	1291421	
9	Volantino	Poignée	Knob	2	1291431	
10	Vite	Vis	Screw	2	1291441	
12	Piattina anteriore	Arret avant	Front retainer	1	1291451	
13	Vite	Vis	Screw	2	1291461	
14	Vite	Vis	Screw	4	1291471	
15	Galletto	Poignée	Knob	6	1291481	
16	Piattina posteriore	Arret arriere	Rear retainer	1	1291491	
18	Tube aspirazione	Tuyau d'aspiration	Vacuum hose	1	1291501	•GH95.0065.00
11	Flap anteriore	Flap avant	Front flap	1	1291511	PUR
17	Flap posteriore	Flap arriere	Rear flap	1	1291521	PUR
11	Flap anteriore	Flap avant	Front flap	1	1291851	PARA
17	Flap posteriore	Flap arriere	Rear flap	1	1291861	PARA



TAV. N° 5006

SQUEEGEE LIFT ASSEMBLY



TAV. N° 5006

SQUEEGEE LIFT ASSEMBLY

POS.	DESCRIZIONE	DESCRIPTION	DESCRIPTION	Q.tà	COD.	NOTE
1	Fascetta	Collier de serrage	Clamp	1	1291531	
2	Appoggio	Support	Support	1	1291541	
3	Supporto	Support	Holder	1	1291551	
4	Vite	Vis	Screw	2	1291561	
5	Vite	Vis	Screw	7	1291571	
6	Seeger	Seeger	Seeger	1	1291581	
7	Rondella	Rondelle	Washer	1	1291591	
8	Cavo	Cavo	Cable	1	1291601	•
9	Leva	Levier	Lever	1	1291611	
10	Molla	Ressort	Spring	1	1291621	
11	Cursore	Curseur	Cursor	1	1291631	
12	Chiusura	Fermeture	Closure	1	1291641	
13	Molla	Ressort	Spring	1	1291651	
14	Molla	Ressort	Spring	1	1291661	



