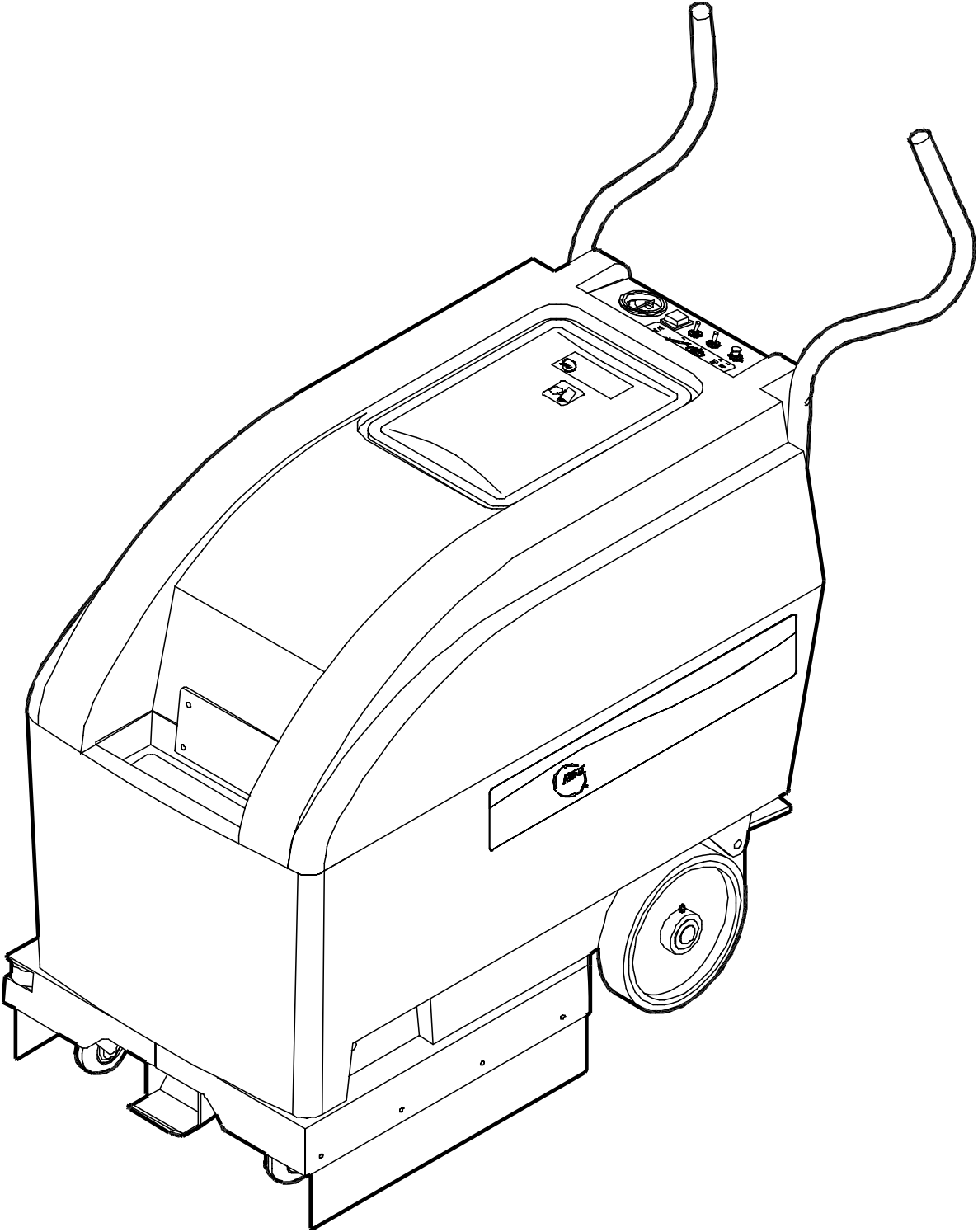
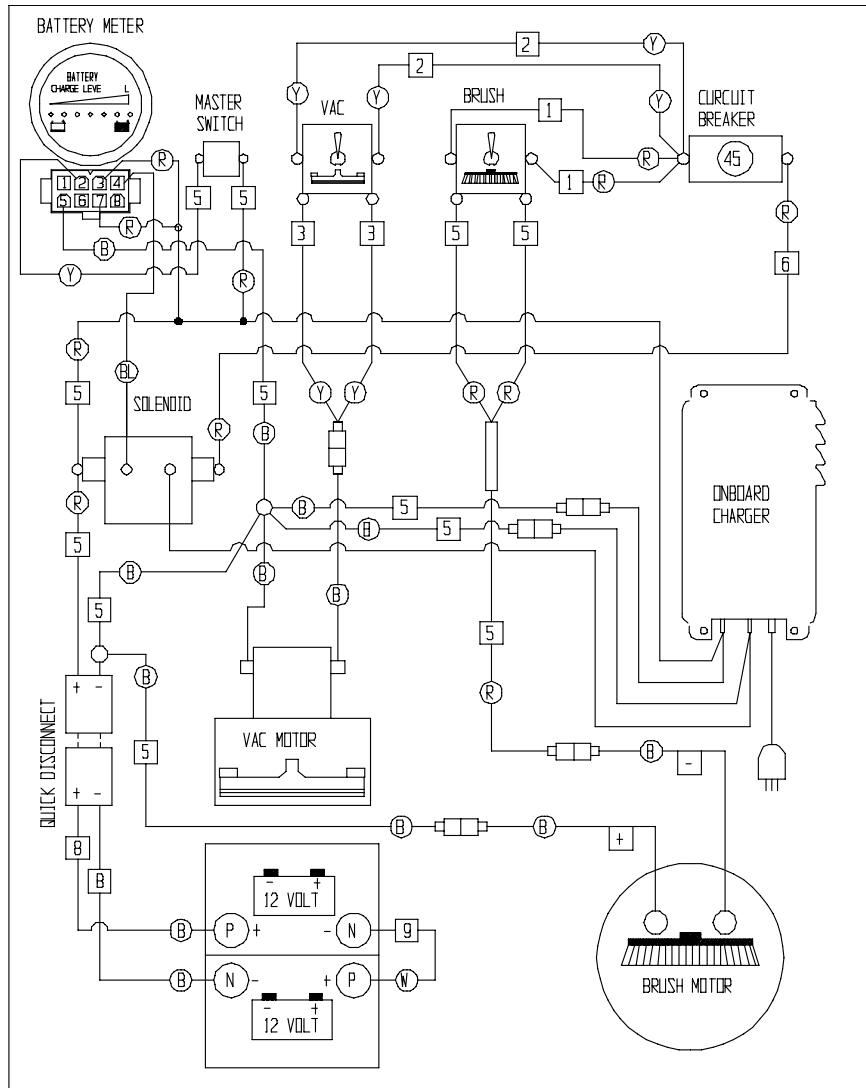


WRANGLER 1708AB, 2008AB

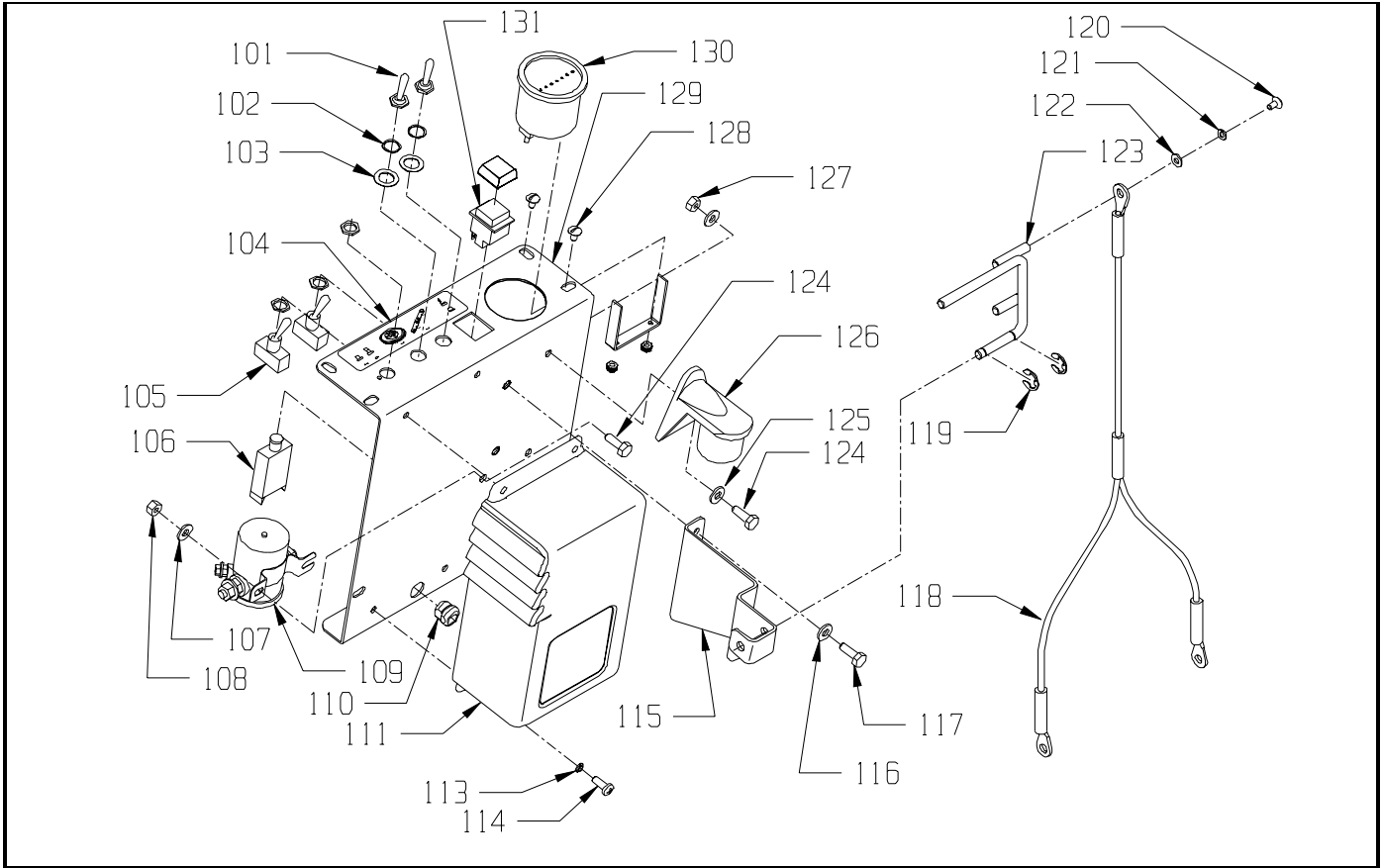


WIRING DIAGRAM



ITEM	PART NO.	DESCRIPTION	QTY.
1	1393251	WIRE ASSEMBLY - CIRCUIT BREAKER TO BRUSH SWITCH	1
2	1393261	WIRE ASSEMBLY - CIRCUIT BREAKER TO VACUUM SWITCH	1
3	1393271	WIRE ASSEMBLY - VACUUM SWITCH TO VACUUM MOTOR	1
5	1392381	MACHINE WIRE HARNESS - OBC	1
6	1392161	WIRE, SOLENOID TO BREAKER - OBC	1
8	2396141	WIRE ASSEMBLY - ANDERSON TO BATTERY	1
9	1393331	WIRE ASSEMBLY - BATTERY JUMPER	1
-	2392091	RED CHARGER PLUG	1
-	1392191	120 VOLT ONBOARD CHARGER 24 VOLT 10 AMP	1
-	1392251	240 VOLT ONBOARD CHARGER 24 VOLT 10 AMP	1
-	1392501	VACUUM MOTOR 24 VOLTS DC	1
-	1392951	45 AMP CIRCUIT BREAKER	1
-	2391351	SOLENOID 24 VOLT SINGLE POLE	1
-	1392371	BATTERY METER	1
-	2392111	BATTERY - 115AMP/HR - 12 VOLT	2
-	2393001	GEAR MOTOR - 3/4 HP - 24 VOLTS DC	1
-	2690581	1/4 SPADE MALE TERMINAL 10-12 YELLOW	4
-	2690691	MASTER SWITCH WITH RED CAP	1
-	2792041	SWITCH - TOGGLE VACUUM	2
-	6495701	120 VOLT ONBOARD CHARGER CORD	1
-	6495711	240 VOLT ONBOARD CHARGER CORD	1

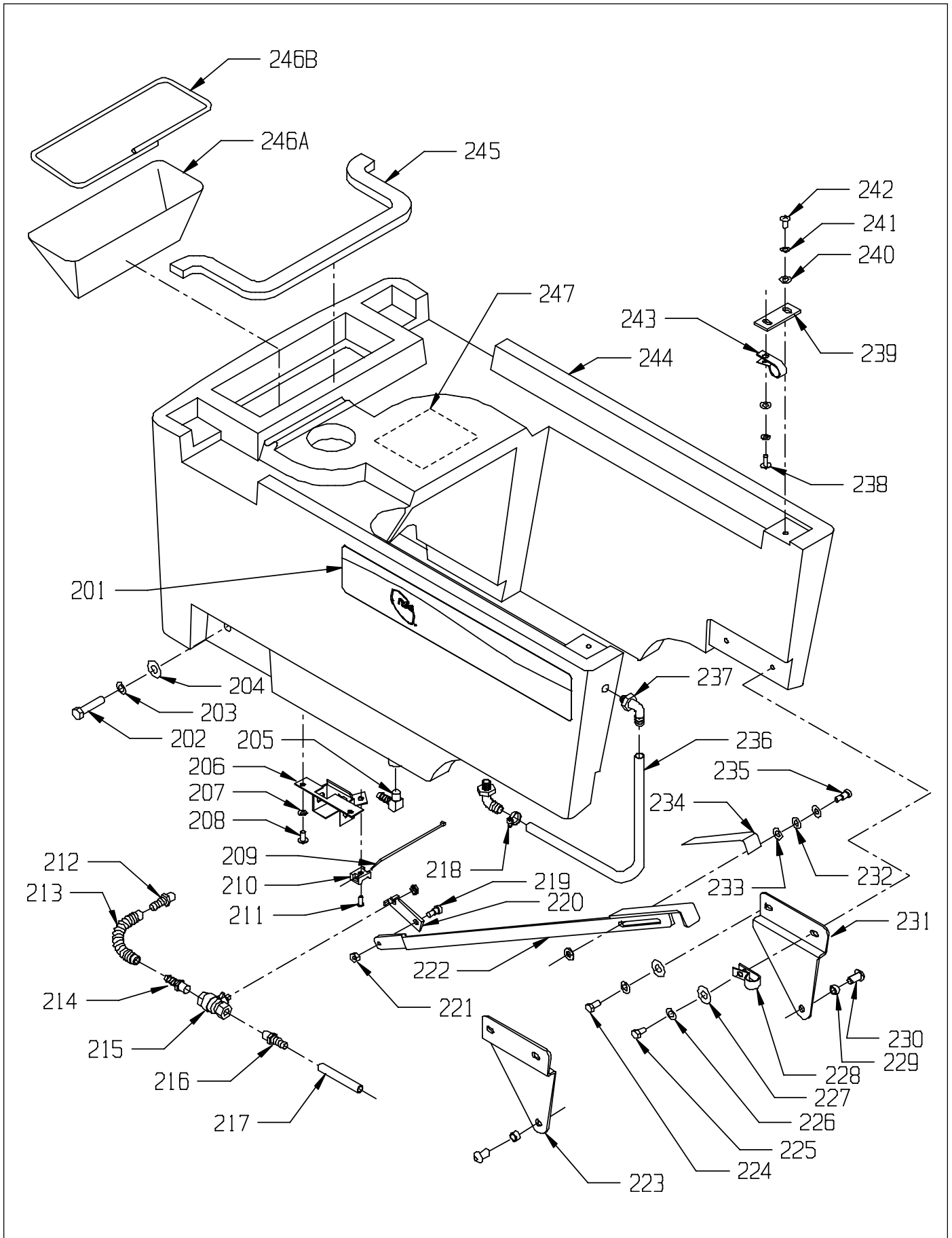
CONTROL PANEL ASSEMBLY



ITEM	PART NO.	DESCRIPTION	QTY.
101	0693141	RUBBER SWITCH BOOT	2
102	0691851	1/2 INTERNAL STAR LOCK WASHER	2
103	9122465	.516 I.D. X .813 O.D. X .027/.030 THICK FLAT WASHER - PACK OF 2	2
104	1392271	CONTROL PANEL LABEL - OBC	1
105	2792041	SWITCH, TOGGLE VACUUM	2
106	1392951	45 AMP CIRCUIT BREAKER	1
107	9120930	9/32 I.D. X 5/8 O.D. X .051/.080 THICK SAE FLAT WASHER (1/4) - PACK OF 10	2
108	9120900	1/4-20 HEX NUT WITH NY-LOK INSERT - PACK OF 10	2
109	2391351	SOLENOID 24 VOLT SINGLE POLE	1
110	4891071	HEYCO STRAIN RELIEF	1
111	1392191	120 VOLT ONBOARD CHARGER 24 VOLT 10 AMP	1
111	1392251	240 VOLT ONBOARD CHARGER 24 VOLT 10 AMP	1
113	9120320	10 SPLIT LOCK WASHER - PACK OF 10	4
114	9120520	10-24 X 5/8 TRUSS HEAD PHILLIPS MACHINE SCREW - PACK OF 10	4
115	1392111	SQUEEGEE LIFT BRACKET - OBC	1
116	9120930	9/32 I.D. X 5/8 O.D. X .051/.080 THICK SAE FLAT WASHER (1/4) - PACK OF 10	1
117	9121210	1/4-20 X 5/8 HEX BOLT - PACK OF 10	2
118	2495301	"Y" SQUEEGEE LIFT CABEL	1
119	1390941	5/16 E RING	2
120	9120380	10-24 X 3/8 ROUND HEAD PHILLIPS MACHINE SCREW - PACK OF 10	1
121	9120320	10 SPLIT LOCK WASHER - PACK OF 10	1
122	9120370	7/32 I.D. X 1/2 O.D. X .032/.065 THICK SAE FLAT WASHER (10) - PACK OF 10	1
123	1392141	SQUEEGEE LIFT HANDLE OBC	1
124	9121250	1/4-20 X 3/4 HEX BOLT - PACK OF 10	3
125	9120930	9/32 I.D. X 5/8 O.D. X .051/.080 THICK SAE FLAT WASHER (1/4) - PACK OF 10	2
126	4890033	DRAIN HOSE PLUG	1
127	9120900	1/4-20 HEX NUT WITH NY-LOK INSERT - PACK OF 10	1
128	9120740	10-32 X 3/8 TRUSS HEAD PHILLIPS MACHINE SCREW - PACK OF 10	6
129	1392103	CONTROL PANEL - OBC	1
130	1392371	BATTERY METER	1
131	2690691	MASTER SWITCH WITH RED CAP	1
	4890781	PUSH BUTTON SWITCH BOOT	1

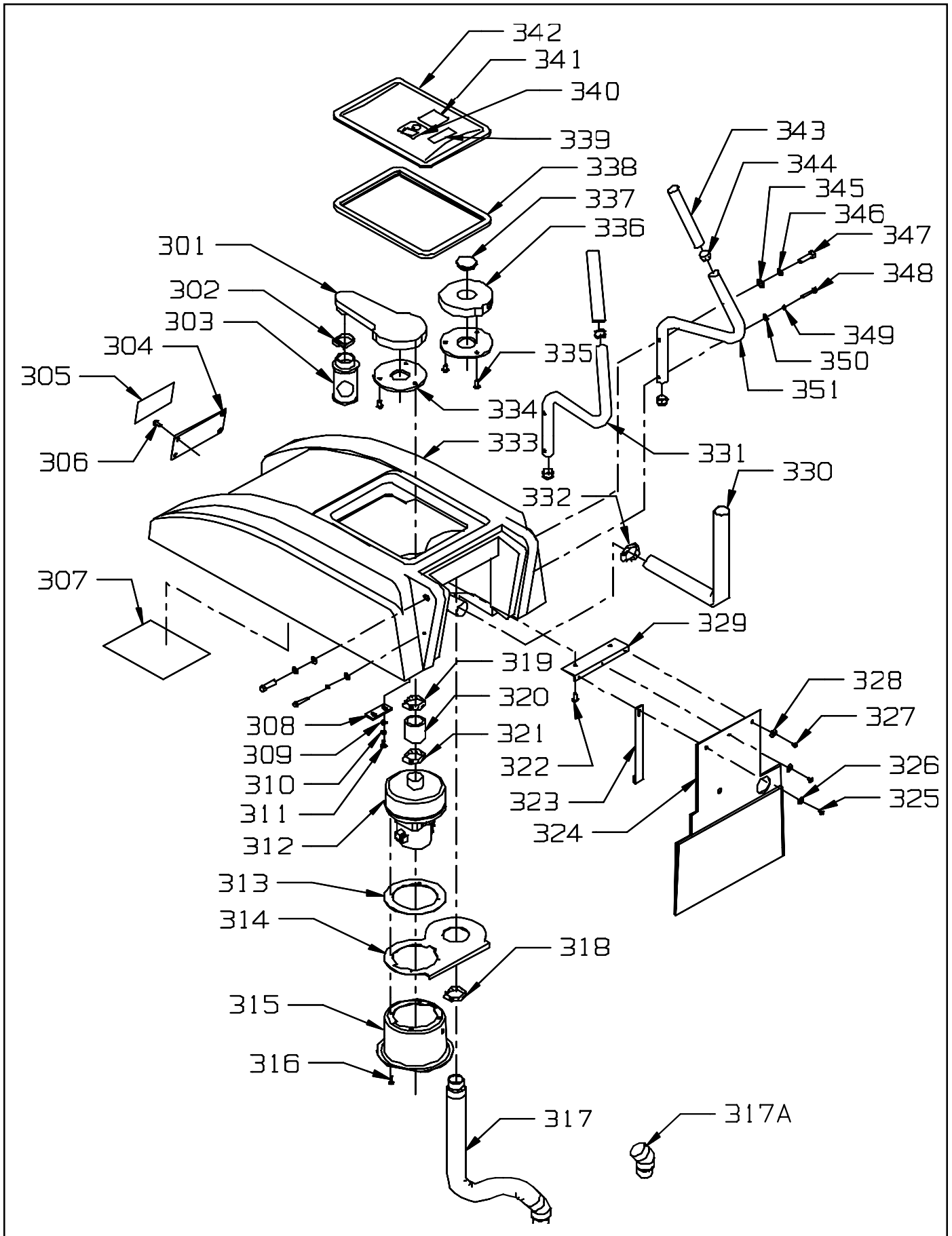
ITEM	PART NO.	DESCRIPTION	QTY.
201	7691891	NSS LOGO DECAL - 3.5 X 20	1
202	9122340	3/8-16 X 2 HEX BOLT - PACK OF 2	2
203	9122100	3/8 SPLIT LOCK WASHER - PACK OF 10	2
204	9122180	13/32 I.D. X 13/16 O.D. X .051/.080 THICK FLAT WASHER (3/8)-PACK OF 10	2
205	2490601	FITTING ELL 3/8 BARB X 1/4 MNPT	1
206	1392941	VALVE BRACKET	1
207	9120880	1/4 SPLIT LOCK WASHER - PACK OF 10	2
208	9121000	1/4-20 X 5/8 TRUSS HEAD PHILLIPS MACHINE SCREW - PACK OF 5	2
209	9123005	1/8 X 5 1/2 WIRE TIE	1
210	2397671	CLIP-TIE STRAP	1
211	9121045	1/4-20 X 1/2 ROUND HEAD PHILLIPS MACHINE SCREW - PACK OF 10	1
212	2495161	1/2 HOSE BARB X 1/4 MPT	1
213	2692551	6.5" CONVOLUTED TUBING	1
214	2495161	1/2 HOSE BARB X 1/4 MPT	1
215	2397961	SOLUTION VALVE	1
216	2397551	1/4 NPT X 3/8 STRAIGHT BARB HDPE	1
217	8791070	3/8 I.D. X 1/2" X 4" O.D. VINYL TUBING	.3
218	2392141	HOSE CLAMP 11/16" TO 1 1/4" DIAMETER	1
219	9121505	5/16 X 1/8 SOCKET HEAD SHOULDER BOLT - PACK OF 1	1
220	1391551	SOLUTION VALVE LEVER	1
221	9120920	1/4-20 HEX NUT - PACK OF 10	2
222	1390613	VALVE CONTROL BAR	1
223	1392653	LEFT TANK PIVOT BRACKET	1
224	9121000	1/4-20 X 5/8 TRUSS HEAD PHILLIPS MACHINE SCREW - PACK OF 5	1
225	9121210	1/4-20 X 5/8 HEX BOLT - PACK OF 10	3
226	9120880	1/4 SPLIT LOCK WASHER - PACK OF 10	4
227	9120930	9/32 I.D. X 5/8 O.D. X .051/.080 THICK FLAT WASHER (1/4)-PACK OF 10	4
228	4890851	CABLE CLAMP	1
229	4894371	BUSHING, BRUSH	2
230	9122030	3/8-16 X 3/4 BUTTON HEAD SOCKET SCREW - PACK OF 2	2
231	1392663	RIGHT TANK PIVOT BRACKET	1
232	1392581	.327 I.D.X.612 O.D.X.013 THICK 1 WAVE SPRING WASHER (5/16)-PACK OF 10	1
233	9121390	11/32 I.D. X 11/16 O.D. X .051/.080 THICK SAE FLAT WASHER (5/16)-PACK OF 10	3
234	1392181	DECAL KIT - VALVE LABEL	1
235	9121550	5/16 X 3/8 SOCKET HEAD SHOULDER BOLT - PACK OF 1	1
236	8791030	3/4 I.D X 1" O.D. X 12" - 1/8" THICK VINYL HOSE	1
237	1391941	3/8 MPT X 3/4 HOSE BARB X 90 FELL FITTING	2
238	9121010	1/4-20 X 3/4 TRUSS HEAD PHILLIPS MACHINE SCREW - PACK OF 5	1
239	1392671	TANK HOLD DOWN BRACKET	2
240	9120930	9/32 I.D. X 5/8 O.D. X .051/.080 THICK SAE FLAT WASHER (1/4) - PACK OF 10	4
241	9120880	1/4 SPLIT LOCK WASHER - PACK OF 10	4
242	9121000	1/4-20 X 5/8 TRUSS HEAD PHILLIPS MACHINE SCREW - PACK OF 5	3
243	4890851	CABLE CLAMP	1
244	1390011	SOLUTION TANK	1
245	8891100	GASKET MATERIAL - 1/2" X 1" - 24" LONG	2
246	1394329	FILTER AND FRAME ASSEMBLY - INCLUDES:	1
246A	4891311	FILTER SCREEN BAG	1
246B	1390406	FILTER FRAME	1
247	3393991	OBC WARNING DECAL	1

SOLUTION TANK ASSEMBLY



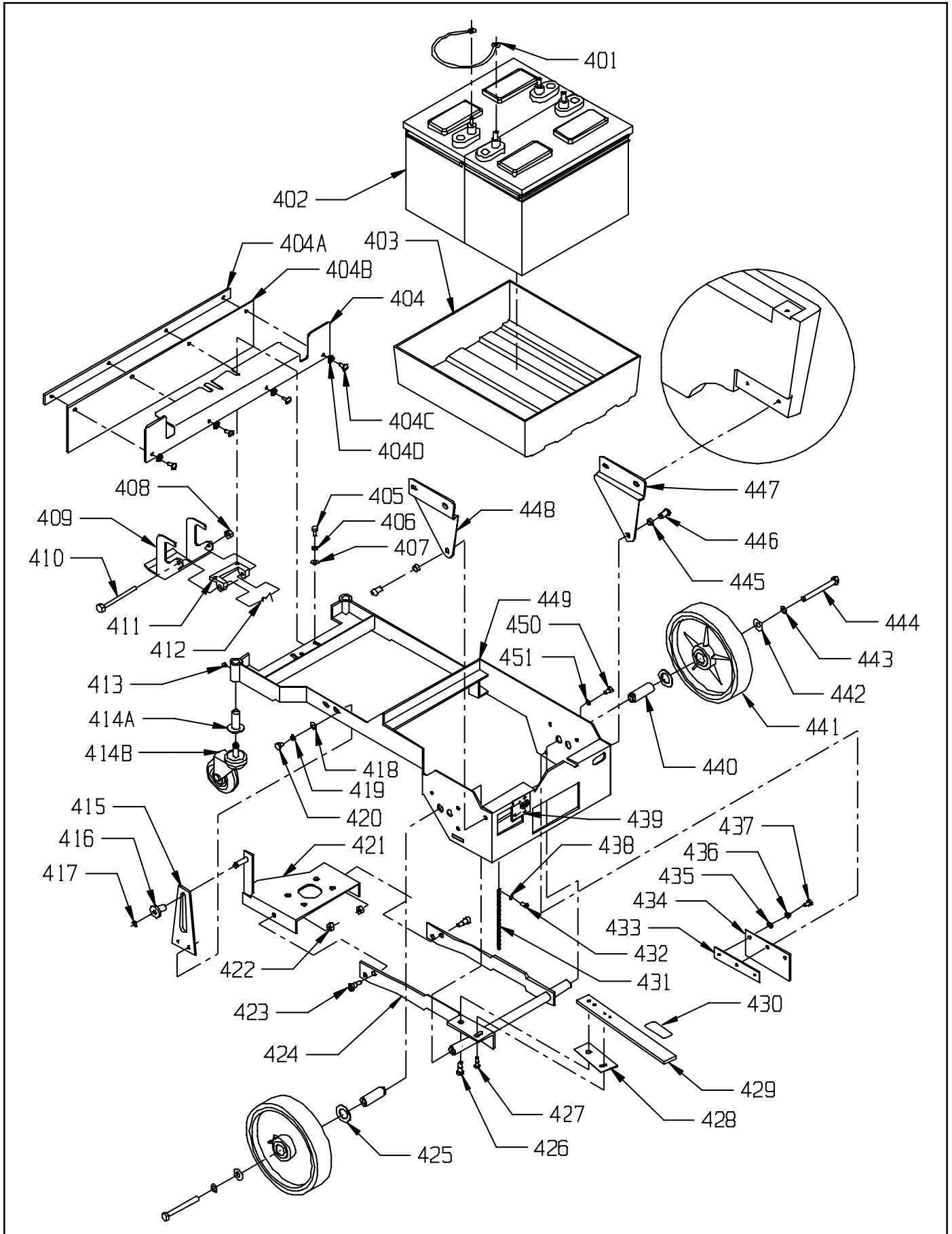
ITEM	PART NO.	DESCRIPTION	QTY.
301	1390061	FLOAT CONNECTOR	1
302	4894081	HOSE CLAMP 1.593" TO 1.812" DIAMETER	1
303	2391541	FLOAT SCREEN ASSEMBLY	1
304	1390493	FRONT MOUNTING PLATE	1
305	1392181	DECAL KIT - SOLUTION FILL ICON	1
306	9121000	1/4-20 X 5/8 TRUSS HEAD PHILLIPS MACHINE SCREW - PACK OF 5	4
307	1392181	DECAL KIT - WIRING DIAGRAM - BATTERY LABEL	1
308	1392671	TANK HOLD DOWN BRACKET	2
309	9120930	9/32 I.D. X 5/8 O.D. X .051/.080 THICK FLAT WASHER (1/4) - PACK OF 10	2
310	9120880	1/4 SPLIT LOCK WASHER - PACK OF 10	2
311	9121000	1/4-20 X 5/8 TRUSS HEAD PHILLIPS MACHINE SCREW - PACK OF 5	1
312	1392501	VACUUM MOTOR 24 VOLTS DC - INCLUDES:	1
312A	2392571	CARBON BRUSH, VACUUM MOTOR 24 VOLT	2
313	4690101	FLOAT GASKET - VACUUM MOTOR	1
314	1392513	BAFFLE PLATE - VACUUM MOTOR	1
315	1392531	COVER - VACUUM MOTOR	1
316	9120790	10 X 5/8 PAN HEAD PHILLIPS SHEET METAL SCREW - PACK OF 10	4
317	2690591	SQUEEGEE VACUUM HOSE WITH 45° CUFF	1
317A	2699451	45° HOSE CUFF	1
318	4892671	HOSE CLAMP - 1 1/16" TO 2" DIAMETER	1
319	4892671	HOSE CLAMP - 1 1/16" TO 2" DIAMETER	1
320	1392521	VACUUM MOTOR MOUNTING HOSE	1
321	4892671	HOSE CLAMP - 1 1/16" TO 2" DIAMETER	1
322	9121020	1/4-20 X 1 TRUSS HEAD PHILLIPS MACHINE SCREW - PACK OF 5	2
323	1393081	VACUUM MOTOR SUPPORT	1
324	1392121	REAR RUBBER NOISE DEFLECTOR - OBC	1
325	9120510	10-24 X 1/2 TRUSS HEAD PHILLIPS MACHINE SCREW - PACK OF 10	1
326	9120930	9/32 I.D. X 5/8 O.D. X .051/.080 THICK FLAT WASHER (1/4) - PACK OF 10	1
327	9120500	10-24 X 3/8 TRUSS HEAD PHILLIPS MACHINE SCREW - PACK OF 10	2
328	9120930	9/32 I.D. X 5/8 O.D. X .051/.080 THICK FLAT WASHER (1/4) - PACK OF 10	2
329	1392921	REAR RUBBER MOUNT BRACKET	1
330	1390801	DIRTY WATER DRAIN HOSE	1
331	1392561	LEFT HANDLE	1
332	4892671	HOSE CLAMP - 1 1/16" TO 2" DIAMETER	1
333	1390021	RECOVERY TANK	1
334	2391611	INLET TUBE GASKET	2
335	9121000	1/4-20 X 5/8 TRUSS HEAD PHILLIPS MACHINE SCREW - PACK OF 5	4
336	1390351	AIR INTAKE	1
337	1390381	CLEAN-OUT CAP	1
338	1390811	RECOVERY TANK COVER GASKET	1
339	1392201	IDENTIFIER DECAL - WRANGLER 1708 AB	1
339	1392221	IDENTIFIER DECAL - WRANGLER 2008 AB	1
340	1392181	DECAL KIT - READ MANUAL LABEL	1
341	5392401	WARNING - FIRE DECAL	1
342	1390041	CLEAR COVER, RECOVERY TANK	1
343	1391961	HANDLE GRIP	2
344	0690761	PLUG BUTTON	4
345	9122180	13/32 I.D. X 13/16 O.D. X .051/.080 THICK FLAT WASHER (3/8)-PACK OF 10	2
346	9122100	3/8 SPLIT LOCK WASHER - PACK OF 10	2
347	9122075	3/8-16 X 1 1/2 HEX BOLT - PACK OF 2	2
348	9121280	1/4-20 X 1 1/2 HEX BOLT - PACK OF 5	2
349	9120880	1/4 SPLIT LOCK WASHER - PACK OF 10	2
350	9120930	9/32 I.D. X 5/8 O.D. X .051/.080 THICK FLAT WASHER (1/4) - PACK OF 10	2
351	1392571	RIGHT HANDLE	1

RECOVERY TANK ASSEMBLY



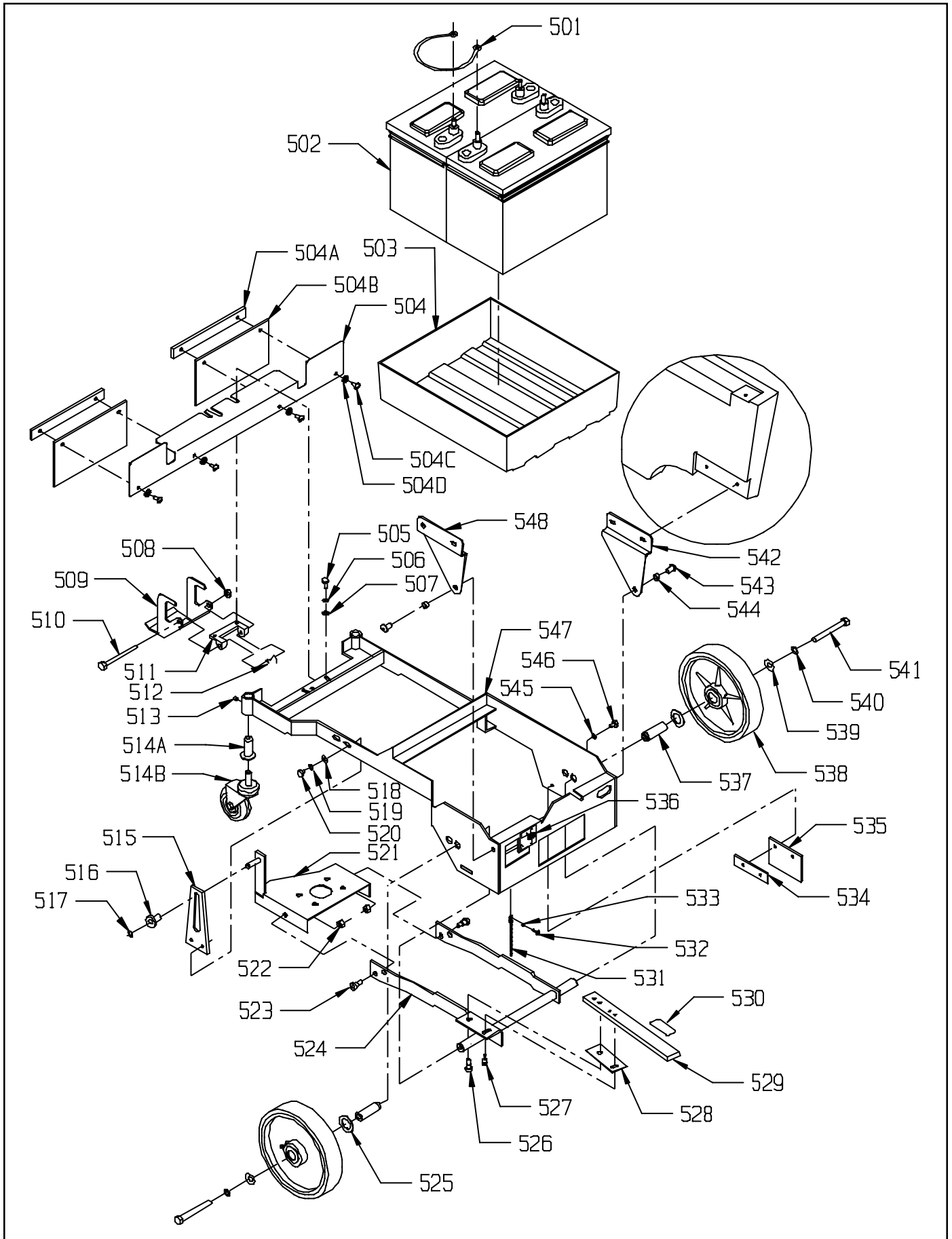
ITEM	PART NO.	DESCRIPTION	QTY.
401	1393331	BATTERY JUMPER	1
402	-----	BATTERIES - SEE ACCESSORY PAGE	2
403	1390291	BATTERY TRAY	1
404	1392409	SPLASH SHIELD ASSEMBLY KIT 1708 INCLUDES:	1
404	1392411	FRAME SPLASH SHIELD 1708	1
404A	1392431	RETAINING STRAP 1708	1
404B	1392421	RUBBER SPLASH SHIELD 1708	1
404C	9120510	10-24 X 1/2 TRUSS HEAD PHILLIPS MACHINE SCREW - PACK OF 10	4
404D	9120330	#10 EXTERNAL STAR LOCK WASHER - PACK OF 10	4
405	9121210	1/4-20 X 5/8 HEX BOLT - PACK OF 10	2
406	9120880	1/4 SPLIT LOCK WASHER - PACK OF 10	2
407	9120930	9/32 I.D. X 5/8 O.D. X .051/.080 THICK FLAT WASHER (1/4) - PACK OF 10	2
408	9120900	1/4-20 HEX NUT WITH NY-LOK INSERT - PACK OF 10	1
409	1392883	FOOT PEDAL	1
410	9121360	1/4-20 X 4 HEX BOLT - PACK OF 2	1
411	1392912	BRACKET - FOOT PEDAL - TANK RELEASE	1
412	1392901	SPRING - FOOT PEDAL - TANK RELEASE	1
413	9120850	1/4-20 X 5/16 SET SCREW - KNURL POINT - PACK OF 2	2
414	1392489	CASTER WITH INSERT I INCLUDES:	2
414A	1392491	PLASTIC SOCKET INSERT 7/16 I.D.	2
414B	1392481	CASTER ONLY 7/16 X 1 3/4 STEM	2
415	1392751	BRUSH MOTOR GUIDE BRACKET	1
416	1391151	BUSHING - 3/8 NYLON	1
417	1391261	3/8 RETAINING RING	1
418	9121390	11/32 I.D. X 11/16 O.D. X .051/.080 THICK SAE FLAT WASHER - PACK OF 10	2
419	9121520	5/16 SPLIT LOCK WASHER - PACK OF 10	2
420	9121560	5/16-18 X 1/2 HEX BOLT - PACK OF 5	2
421	1392621	BRUSH MOTOR TILT BASE	1
422	9121430	5/16-18 THIN HEX NUT WITH NY-LOK INSERT - PACK OF 5	2
423	9122020	3/8 DIAMETER X 3/8 LONG SOCKET HEAD SHOULDER BOLT (5/16-18) - PACK OF 1	2
424	1392631	BRUSH LIFT ARM	1
425	9123105	3/4 I.D. X 1 1/4 O.D. X .071/.082 THICK FLAT WASHER (11 GAGE) - PACK OF 5	2
426	9122020	3/8 DIAMETER X 3/8 LONG SOCKET HEAD SHOULDER BOLT (5/16-18) - PACK OF 1	1
427	9121190	1/4 DIAMETER X 3/8 LONG SOCKET HEAD SHOULDER BOLT (10-24) - PACK OF 1	1
428	1391271	FOOT PEDAL SLIDE	1
429	1392643	BRUSH LIFT FOOT PEDAL	1
430	1390571	STEP TREAD	1
431	6491860	ROUND BEAD CHAIN (CUT TO 6")	.5
431A	6491871	END COUPLING - ROUND BEAD CHAIN	1
432	9120380	10-24 X 3/8 ROUND HEAD PHILLIPS MACHINE SCREW - PACK OF 10	1
433	1392981	INSIDE SPLASH GUARD STRAP	1
434	1392991	INSIDE SPLASH GUARD	1
435	9120370	7/32 I.D. X 1/2 O.D. X .032/.065 THICK SAE FLAT WASHER (10) - PACK OF 10	1
436	9120320	10 SPLIT LOCK WASHER - PACK OF 10	1
437	9120420	10-24 X 5/8 ROUND HEAD PHILLIPS MACHINE SCREW - PACK OF 10	1
438	9120320	#10 SPLIT LOCK WASHER - PACK OF 10	1
439	1392181	DECAL KIT - BRUSH LIFT LABEL	1
440	1392591	AXLE	2
441	2393781	WHEEL - 8"	2
	2393681	BEARING FOR WHEEL 2393781 (2 PER WHEEL)	4
442	9121980	7/16 I.D. X 1 O.D. X .075/.080 THICK WROUGHT WASHER (3/8) - PACK OF 10	2
443	9122100	3/8 SPLIT LOCK WASHER - PACK OF 10	2
444	9122090	3/8-16 X 3 1/2 HEX BOLT - PACK OF 1	2
445	4894371	BUSHING	2
446	9122030	3/8-16 X 3/4 BUTTON HEAD SOCKET SCREW - PACK OF 2	2
447	1392663	RIGHT TANK PIVOT BRACKET	1
448	1392653	LEFT TANK PIVOT BRACKET	1
449	1392603	MAIN FRAME	1
450	9120420	10-24 X 5/8 ROUND HEAD PHILLIPS MACHINE SCREW - PACK OF 10	2
451	9120320	10 SPLIT LOCK WASHER - PACK OF 10	2

1708 FRAME ASSEMBLY

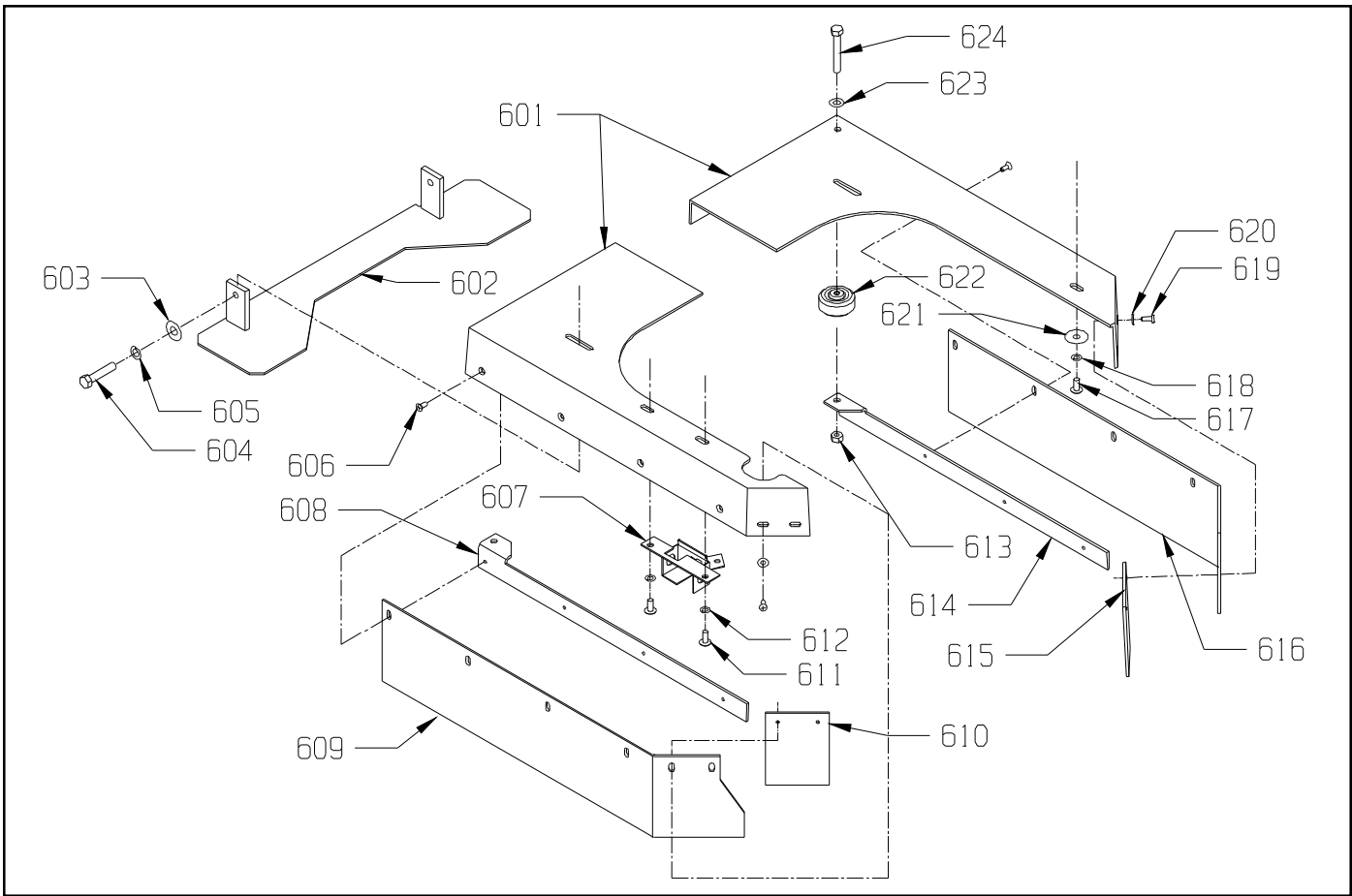


ITEM	PART NO.	DESCRIPTION	QTY.
501	1393331	BATTERY JUMPER	1
502	-----	BATTERIES - SEE ACCESSORY PAGE	2
503	1390291	BATTERY TRAY	1
504	1392449	SPLASH SHIELD ASSEMBLY KIT 2008 INCLUDES:	1
504	1392451	FRAME SPLASH SHIELD 2008	1
504A	1392471	RETAINING STRAP 2008	2
504B	1392461	RUBBER SPLASH SHIELD 2008	2
504C	9120510	10-24 X 1/2 TRUSS HEAD PHILLIPS MACHINE SCREW - PACK OF 10	4
504D	9120330	#10 EXTERNAL STAR LOCK WASHER - PACK OF 10	4
505	9121210	1/4-20 X 5/8 HEX BOLT - PACK OF 10	2
506	9120880	1/4 SPLIT LOCK WASHER - PACK OF 10	2
507	9120930	9/32 I.D. X 5/8 O.D. X .051/.080 THICK SAE FLAT WASHER (1/4) - PACK OF 10	2
508	9120900	1/4-20 HEX NUT WITH NY-LOK INSERT - PACK OF 10	1
509	1392883	FOOT PEDAL	1
510	9121360	1/4-20 X 4 HEX BOLT - PACK OF 2	1
511	1392912	BRACKET - FOOT PEDAL - TANK RELEASE	1
512	1392901	SPRING - FOOT PEDAL - TANK RELEASE	1
513	9120850	1/4-20 X 5/16 SET SCREW - KNURL POINT - PACK OF 2	2
514	1392489	CASTER WITH INSERT	2
514A	1392491	PLASTIC SOCKET INSERT 7/16 I.D.	2
514B	1392481	CASTER ONLY 7/16 X 1 3/4 STEM	2
515	1392751	BRUSH MOTOR GUIDE BRACKET	1
516	1391151	BUSHING - 3/8 NYLON	1
517	1391261	3/8 RETAINING RING	1
518	9121390	11/32 I.D. X 11/16 O.D. X .051/.080 THICK SAE FLAT WASHER (5/16) - PACK OF 10	2
519	9121520	5/16 SPLIT LOCK WASHER - PACK OF 10	2
520	9121560	5/16-18 X 1/2 HEX BOLT - PACK OF 5	2
521	1392621	BRUSH MOTOR TILT BASE	1
522	9121430	5/16-18 THIN HEX NUT WITH NY-LOK INSERT - PACK OF 5	2
523	9122020	3/8 DIAMETER X 3/8 LONG SOCKET HEAD SHOULDER BOLT (5/16-18) - PACK OF 1	2
524	1392631	BRUSH LIFT ARM	1
525	9123105	3/4 I.D. X 1 1/4 O.D. X .071/.082 THICK FLAT WASHER (11 GAGE) - PACK OF 5	2
526	9122020	3/8 DIAMETER X 3/8 LONG SOCKET HEAD SHOULDER BOLT (5/16-18) - PACK OF 1	1
527	9121190	1/4 DIAMETER X 3/8 LONG SOCKET HEAD SHOULDER BOLT (10-24) - PACK OF 1	1
528	1391271	FOOT PEDAL SLIDE	1
529	1392643	BRUSH LIFT FOOT PEDAL	1
530	1390571	STEP TREAD	1
531	6491860	ROUND BEAD CHAIN (CUT TO 6")	.5
531A	6491871	END COUPLING - ROUND BEAD CHAIN	1
532	9120380	10-24 X 3/8 ROUND HEAD PHILLIPS MACHINE SCREW - PACK OF 10	1
533	9120320	#10 SPLIT LOCK WASHER - PACK OF 10	1
534	1392961	INSIDE SPLASH GUARD STRAP	1
535	1392971	INSIDE SPLASH GUARD	1
536	1392181	DECAL KIT - BRUSH LIFT LABEL	1
537	1392591	AXLE	2
538	2393781	WHEEL - 8"	2
	2393681	BEARING FOR WHEEL 2393781 (2 PER WHEEL)	4
539	9121980	7/16 I.D. X 1 O.D. X .075/.080 THICK WROUGHT WASHER (3/8) - PACK OF 2	2
540	9122100	3/8 SPLIT LOCK WASHER - PACK OF 10	2
541	9122090	3/8-16 X 3 1/2 HEX BOLT - PACK OF 1	2
542	1392663	RIGHT TANK PIVOT BRACKET	1
543	9122030	3/8-16 X 3/4 BUTTON HEAD SOCKET SCREW - PACK OF 2	2
544	4894371	BUSHING	2
545	9120320	10 SPLIT LOCK WASHER - PACK OF 10	2
546	9120420	10-24 X 5/8 ROUND HEAD PHILLIPS MACHINE SCREW - PACK OF 10	2
547	1392603	MAIN FRAME	1
548	1392653	LEFT TANK PIVOT BRACKET	1

2008 FRAME ASSEMBLY

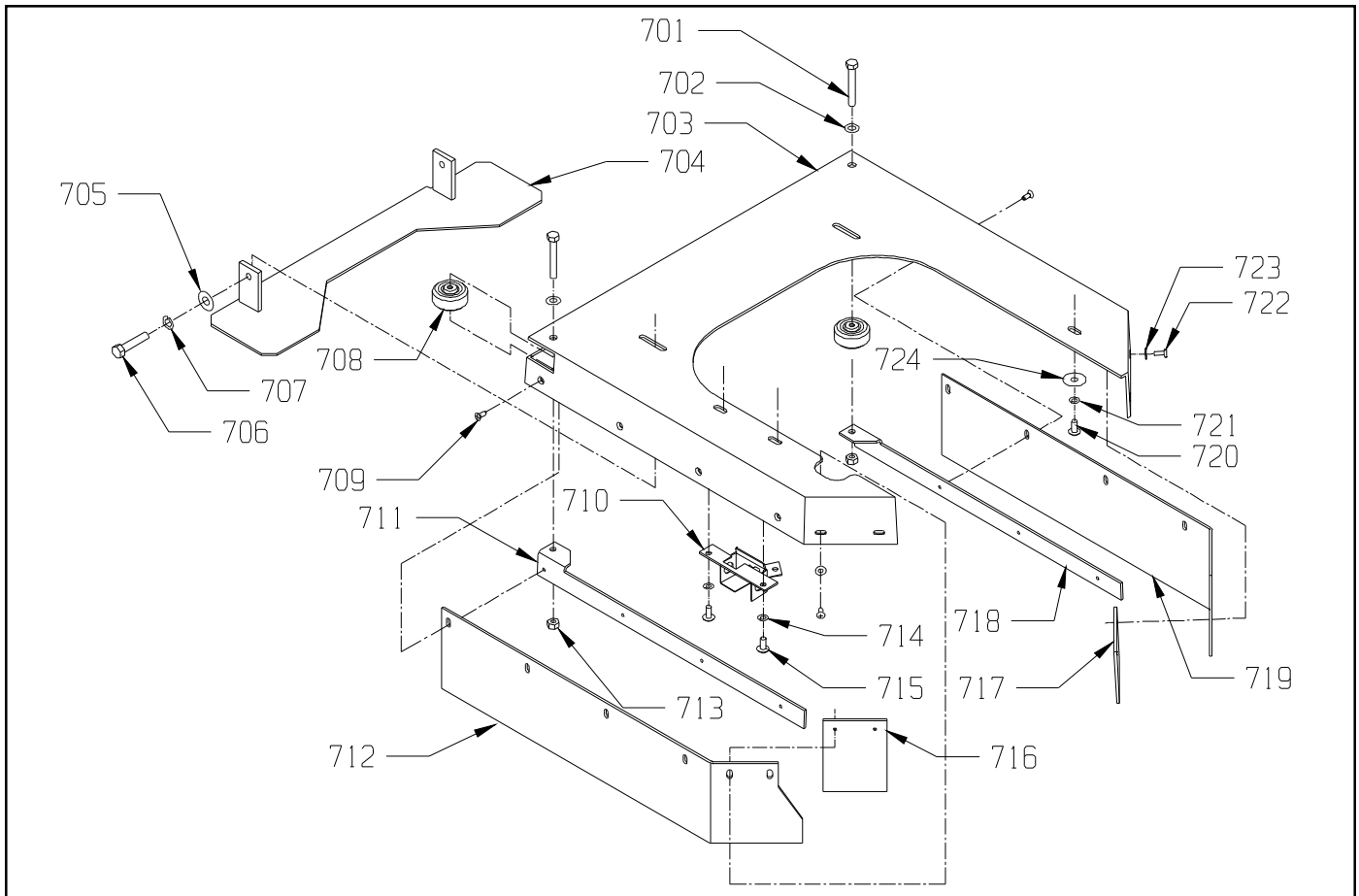


1708 SKIRT ASSEMBLY



ITEM	PART NO.	DESCRIPTION	QTY.
601	1392701	SKIRT	1
602	1392613	SKIRT MOUNTING BRACKET AND LATCH	1
603	9122180	13/32 I.D. X 13/16 O.D. X .051/.080 THICK SAE FLAT WASHER (3/8) - PACK OF 2	2
604	9122340	3/8-16 X 2 HEX BOLT - PACK OF 2	2
605	9122100	3/8 SPLIT LOCK WASHER - PACK OF 10	2
606	9120540	10-24 X 1/2 FLAT HEAD PHILLIPS MACHINE SCREW - PACK OF 10	8
607	1392941	VALVE BRACKET	1
608	1392721	LEFT SKIRT STRAP	1
609	1392711	LEFT SPLASH GUARD	1
610	1392811	LEFT REAR SKIRT STRAP	1
611	9121000	1/4-20 X 5/8 TRUSS HEAD PHILLIPS MACHINE SCREW - PACK OF 5	2
612	9120880	1/4 SPLIT LOCK WASHER - PACK OF 10	2
613	9121450	5/16-18 HEX NUT WITH NY-LOK INSERT - PACK OF 5	1
614	1392741	RIGHT SKIRT STRAP	1
615	1392821	RIGHT REAR SKIRT STRAP	1
616	1392731	RIGHT SPLASH GUARD	1
617	9121000	1/4-20 X 5/8 TRUSS HEAD PHILLIPS MACHINE SCREW - PACK OF 5	2
618	9120880	1/4 SPLIT LOCK WASHER - PACK OF 10	2
619	9120410	10-24 X 1/2 ROUND HEAD PHILLIPS MACHINE SCREW - PACK OF 10	4
620	9120370	7/32 I.D. X 1/2 O.D. X .032/.065 THICK SAE FLAT WASHER (10) - PACK OF 10	4
621	9120950	1/4 X 1 1/4 FENDER WASHER - PACK OF 5	1
622	3096741	BUMPER WHEEL - SMALL GRAY	1
623	9121390	11/32 I.D. X 11/16 O.D. X .051/.080 THICK SAE FLAT WASHER (5/16) - PACK OF 10	1
624	9121640	5/16-18 X 3/4 HEX BOLT - PACK OF 5	1

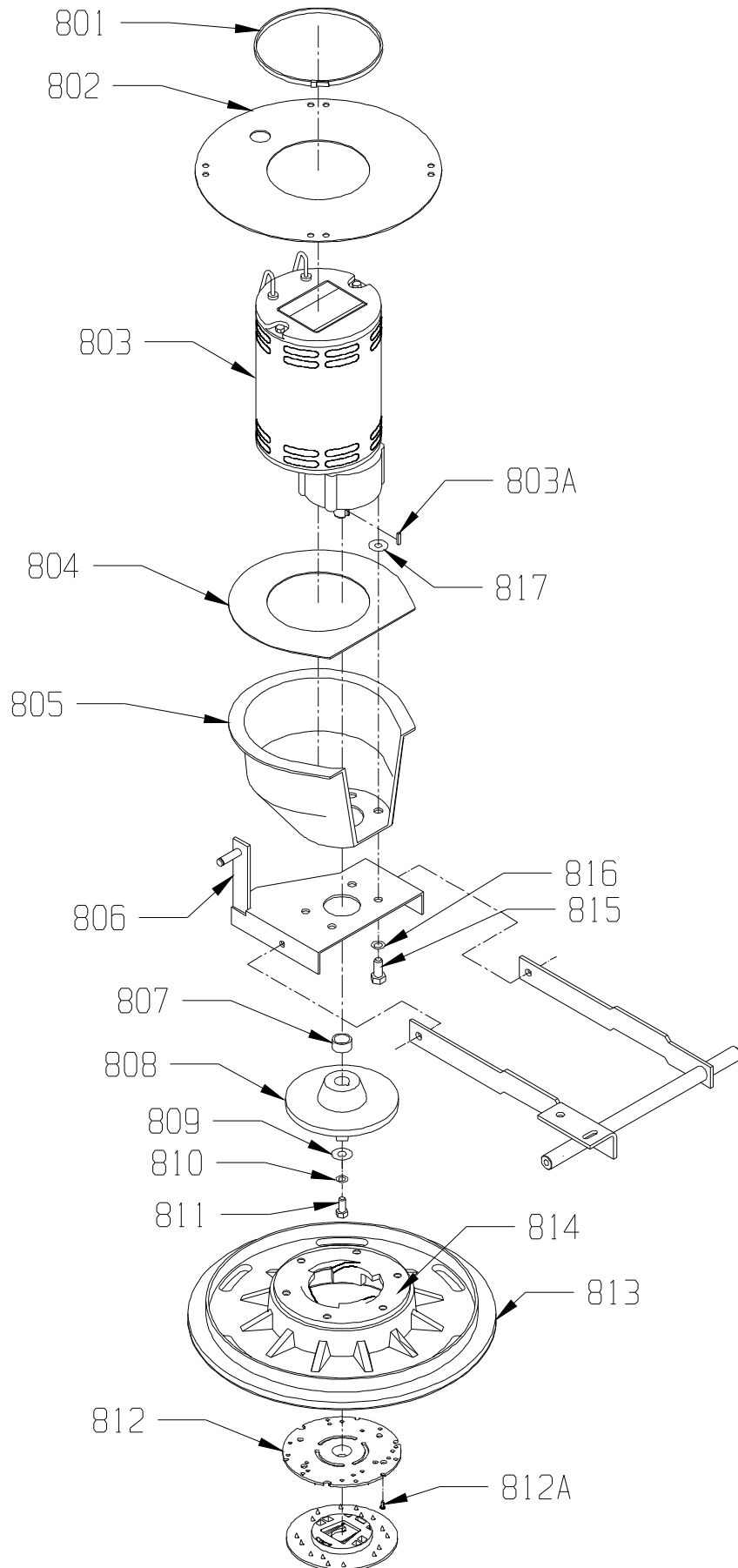
2008 SKIRT ASSEMBLY



ITEM	PART NO.	DESCRIPTION	QTY.
701	9121640	5/16-18 X 3/4 HEX BOLT - PACK OF 5	1
702	9121390	11/32 I.D. X 11/16 O.D. X .051/.080 THICK SAE FLAT WASHER (5/16) - PACK OF 10	1
703	1392761	SKIRT	1
704	1392613	SKIRT MOUNTING BRACKET AND LATCH	1
705	9122180	13/32 I.D. X 13/16 O.D. X .051/.080 THICK SAE FLAT WASHER (3/8) - PACK OF 10	2
706	9122340	3/8-16 X 2 HEX BOLT - PACK OF 2	2
707	9122100	3/8 SPLIT LOCK WASHER - PACK OF 10	2
708	3096741	BUMPER WHEEL - SMALL GRAY	2
709	9120540	10-24 X 1/2 FLAT HEAD PHILLIPS MACHINE SCREW - PACK OF 10	8
710	1392941	VALVE BRACKET	1
711	1392721	LEFT SKIRT STRAP	1
712	1392771	LEFT SPLASH GUARD	1
713	9121450	5/16-18 HEX NUT WITH NY-LOK INSERT - PACK OF 5	1
714	9120880	1/4 SPLIT LOCK WASHER - PACK OF 10	2
715	9121000	1/4-20 X 5/8 TRUSS HEAD PHILLIPS MACHINE SCREW - PACK OF 5	2
716	1392791	LEFT REAR SKIRT STRAP	1
717	1392801	RIGHT REAR SKIRT STRAP	1
718	1392741	RIGHT SKIRT STRAP	1
719	1392781	RIGHT SPLASH GUARD	1
720	9121000	1/4-20 X 5/8 TRUSS HEAD PHILLIPS MACHINE SCREW - PACK OF 5	2
721	9120880	1/4 SPLIT LOCK WASHER - PACK OF 10	2
722	9120410	10-24 X 1/2 ROUND HEAD PHILLIPS MACHINE SCREW - PACK OF 10	4
723	9120370	7/32 I.D. X 1/2 O.D. X .032/.065 THICK SAE FLAT WASHER (10) - PACK OF 10	4
724	9120950	1/4 X 1 1/4 FENDER WASHER - PACK OF 5	1

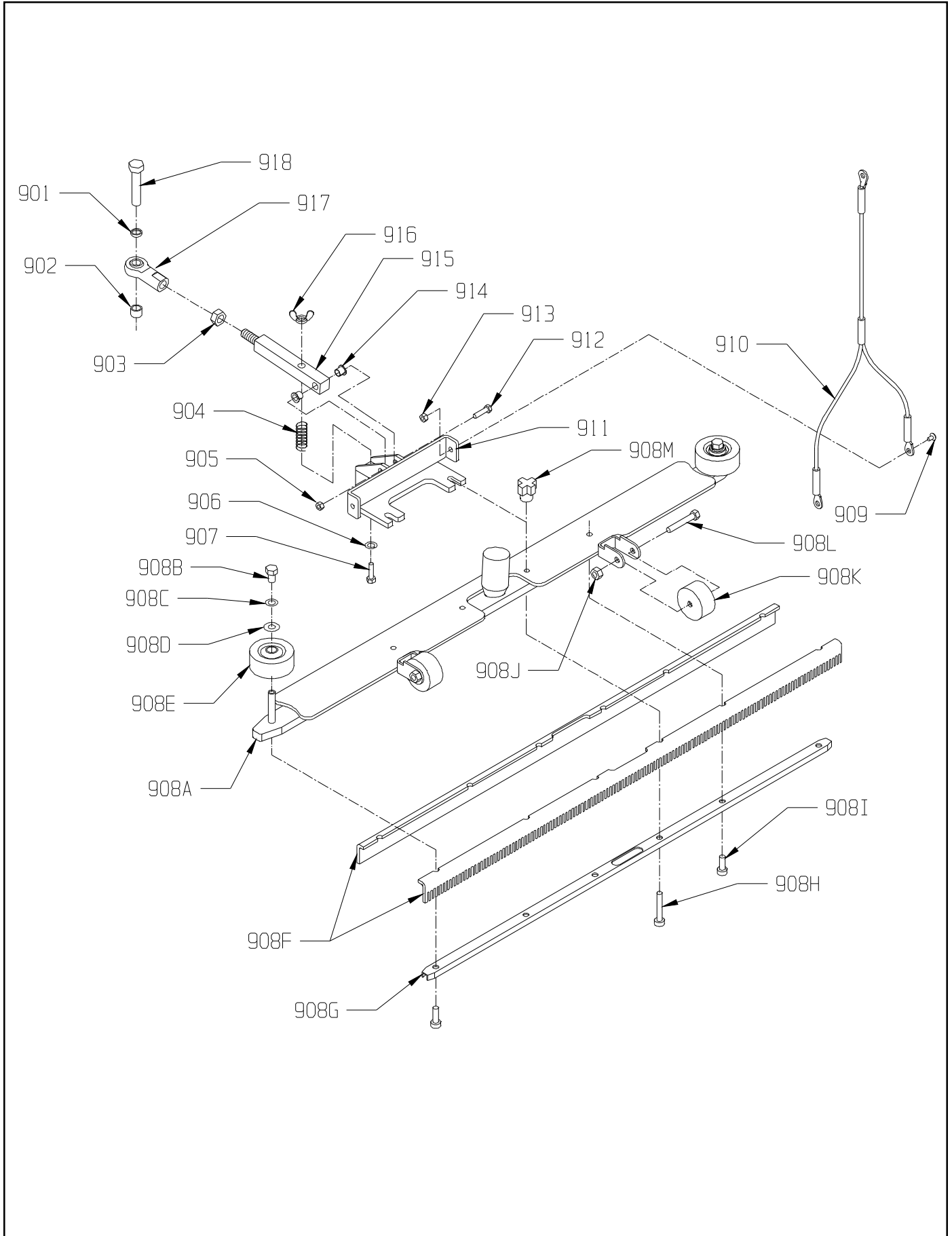
ITEM	PART NO.	DESCRIPTION	QTY.
801	1392871	TIE WRAP	1
802	1392851	BRUSH MOTOR UPPER DRIP CAP	1
803	2393501	GEAR MOTOR 3/4 HP 24 VOLTS DC - INCLUDES:	1
803A	2792681	1/4 X 1/4 X 1 MOTOR KEY	1
803B	2393561	CARBON BRUSH ASSEMBLY	1
804	1392861	BRUSH MOTOR LOWER DRIP CAP	1
805	1392541	BRUSH MOTOR SPLASH GUARD	1
806	1392621	BRUSH MOTOR TILT BASE	1
807	2393061	SPACER	1
808	2393052	CLUTCH CASTING	1
809	9121400	3/8 I.D. X 7/8 O.D. X .064/.104 THICK WROUGHT WASHER (5/16) - PACK OF 10	1
810	9121520	5/16 SPLIT LOCK WASHER - PACK OF 10	1
811	9121680	5/16-18 X 1 HEX BOLT - PACK OF 5	1
812	5990731	SPRING CLIP PAD HOLDER SET (PP) - INCLUDES:	1
812A	9120506	#8 X 5/8 PAN HEAD SHEET METAL SCREW - PACK OF 10	3
813	2897601	17" STRUCTURAL FOAM PAD DRIVER	1
	2892601	20" STRUCTURAL FOAM PAD DRIVER	1
	2897211	17" POLY BACK TUFTED PAD DRIVER WITH PAD HOLDER	1
	-----	SEE ACCESSORY PAGE FOR TYPES OF BRUSHES	1
814	2890101	CLUTCH PLATE, PLASTIC 5" DIAMETER 6 HOLES - CREAM COLOR	1
815	9122220	3/8-16 X 3/4 HEX BOLT - PACK OF 5	4
816	9122100	3/8 SPLIT LOCK WASHER - PACK OF 10	4
817	9122180	13/32 I.D. X 13/16 O.D. X .051/.080 THICK SAE FLAT WASHER (3/8) - PACK OF 10	2

BRUSH MOTOR ASSEMBLY



ITEM	PART NO.	DESCRIPTION	QTY.
901	1090981	SWITCH GUARD SPACER	1
902	2391461	BUSHING - LIFT LEVER	1
903	9122670	1/2-20 HEX JAM NUT - PACK OF 1	1
904	3695581	HEIGHT ADJUSTING SPRING	1
905	9122140	3/8-16 HEX NUT WITH NY-LOK INSERT - PACK OF 5	1
906	9121520	5/16 SPLIT LOCK WASHER - PACK OF 10	1
907	9121840	5/16-18 X 2 1/4 FULL TH'D HEX BOLT - PACK OF 1	1
908	2692539	NARROW MOUNT SQUEEGEE ASSEMBLY - INCLUDES:	1
908A	2692523	NARROW MOUNT SQUEEGEE HOUSING	1
908B	9121560	5/16-18 X 1/2 HEX BOLT - PACK OF 5	2
908C	9121410	5/16 EXTERNAL STAR LOCK WASHER - PACK OF 10	2
908D	9121390	11/32 I.D. X 11/16 O.D. X .051/.080 THICK SAE FLAT WASHER (5/16) - PACK OF 10	2
908E	2790281	3" BUMPER WHEEL	2
908F	2793009	32" REPLACEMENT SQUEEGEE BLADES, SET OF 2	1
908G	2692533	INNER CHANNEL, SQUEEGEE - NARROW MOUNT	1
908H	9121920	5/16-18 X 1 1/2 SOCKET HEAD CAP SCREW	2
908I	9121880	5/16-18 X 3/4 SOCKET HEAD CAP SCREW	4
908J	9121450	5/16-18 HEX NUT WITH NY-LOK INSERT	2
908K	3096741	WHEEL, BUMPER - SMALL GRAY	2
908L	9121760	5/16-18 X 1 3/4 HEX BOLT	2
908M	3392971	T-KNOB SQUEEGEE	2
909	9121010	1/4-20 X 3/4 TRUSS HEAD PHILLIPS MACHINE SCREW	2
910	2495301	"Y" SQUEEGEE LIFT CABLE	1
911	1390171	SQUEEGEE BRACKET	1
912	9122340	3/8-16 X 2 HEX BOLT	1
913	9120900	1/4-20 HEX NUT WITH NY-LOK INSERT	2
914	1391171	3/8 FLANGE NYLINER	2
915	1390156	SQUEEGEE SHAFT	1
916	9121445	5/16-18 WING NUT WITH NY-LOK INSERT	1
917	2391941	BALL JOINT	1
918	9122540	1/2-13 X 1 1/4 HEX BOLT	1

SQUEEGEE ASSEMBLY



ACCESSORIES



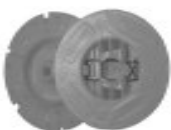
- 2392129 WET PICKUP KIT, INCLUDES:
2291211 5" CONNECTOR, ALUMINUM
2391231 VACUUM HOSE, 7 FOOT
5797011 TOOL - SQUEEGEE WITH WHEELS, 15"
5790469 STEEL WAND, 2 PIECE
2391241 HOSE STRAP
9997550 VELCRO HOOK
9997560 VELCRO LOOP



- 2392179 BRUSH / SQUEEGEE KIT, INCLUDES:
2291211 5" CONNECTOR, ALUMINUM
2290209 STEEL WAND, 1 PIECE
2391231 VACUUM HOSE, 7 FOOT
3097849 14" BRUSH / SQUEEGEE TOOL



- 2890101 CLUTCH PLATE, PLASTIC 5" DIAMETER 6 HOLES - CREAM



- 5990731 SPRING CLIP PAD HOLDER SET



- 2897211 17" POLY BACK TUFTED PAD DRIVER W/PAD HOLDER
2897601 17" STRUCTURAL FOAM PAD DRIVER
2892601 20" STRUCTURAL FOAM PAD DRIVER



- 2897201 17" POLY BACK NYLON FILL SCRUB BRUSH
2897711 17" POLY BACK NYLO GRIT SCRUB BRUSH
2897901 17" POLY BACK SCRUB GRIT BRUSH
2892031 20" PLASTIC BACK BASSINE SCRUB BRUSH
2892201 20" POLY BACK NYLON FILL SCRUB BRUSH
2892701 20" POLY BACK BRUSH, SHOWER FEED
2892711 20" POLY BACK NYLO GRIT SCRUB BRUSH

- 7990031 17" GREEN ECOSTRIP PAD
7990041 20" GREEN ECOSTRIP PAD



- 2392111 12 VOLT BATTERY, 115 AMP/HR - WET
2392731 12 VOLT BATTERY, 100 AMP/HR - AGM, SEALED
2392821 12 VOLT BATTERY, 115 AMP/HR - DRY

- 9091001 HARDWARE CATALOG
9091002 HOSES, TOOLS AND ACCESSORIES CATALOG
9092007 OPERATORS MANUAL - OBC

NOTES



NSS ® Enterprises, Inc.

3115 Frenchmens Road, Toledo, Ohio 43607

PHONE (419) 531-2121 FAX (419) 531-3761

NSS ® Enterprises, Inc. European Distribution Centre

Unit II, Pinfold Trading Estate * 55 Nottingham Road

STAPLEFORD, NOTTINGHAM NG9 8AD ENGLAND U.K.

PHONE: (44) 0115 939 1568 * FAX: (44) 0115 949 0615