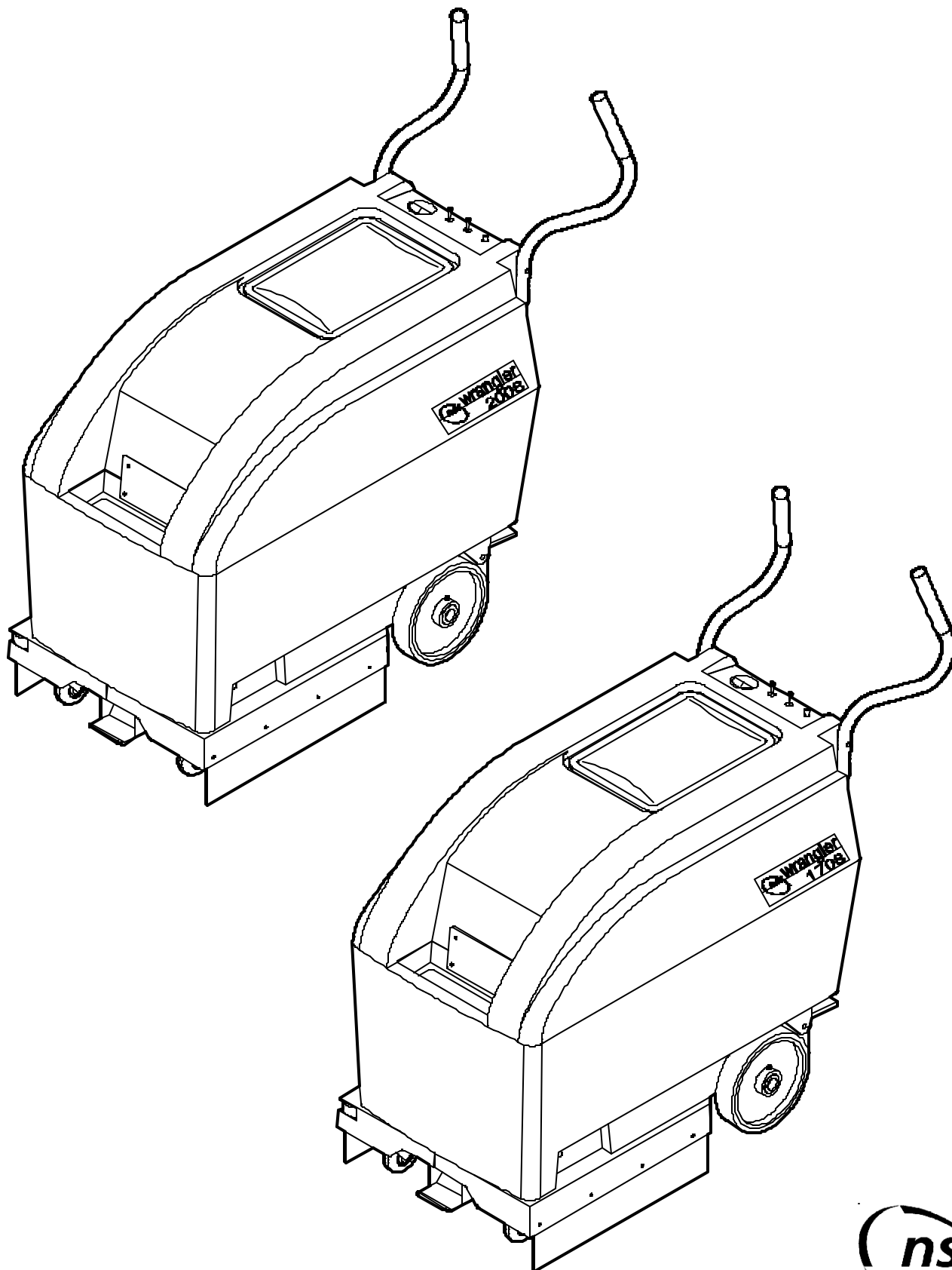
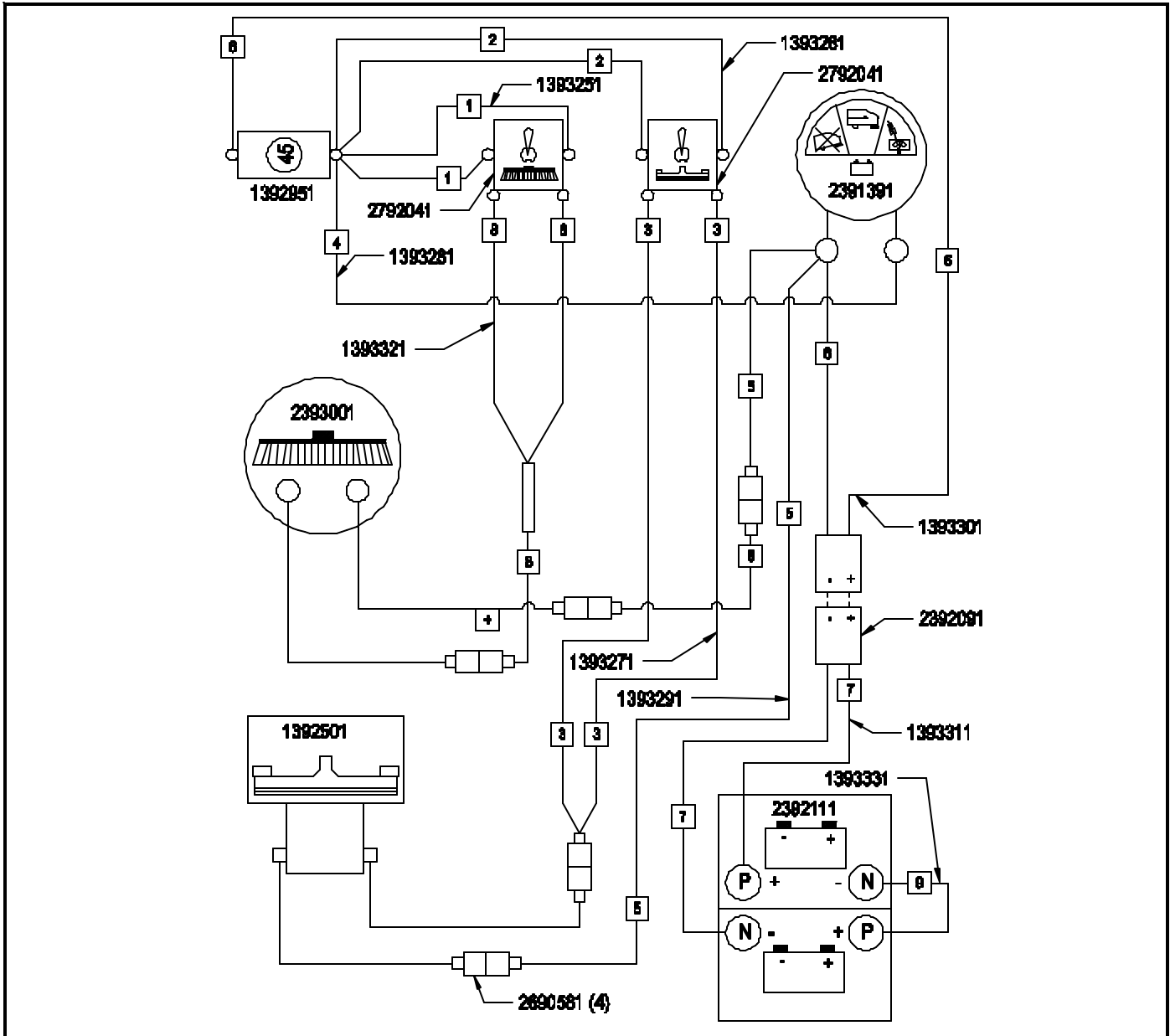


# WRANGLER 1708CB, 2008CB

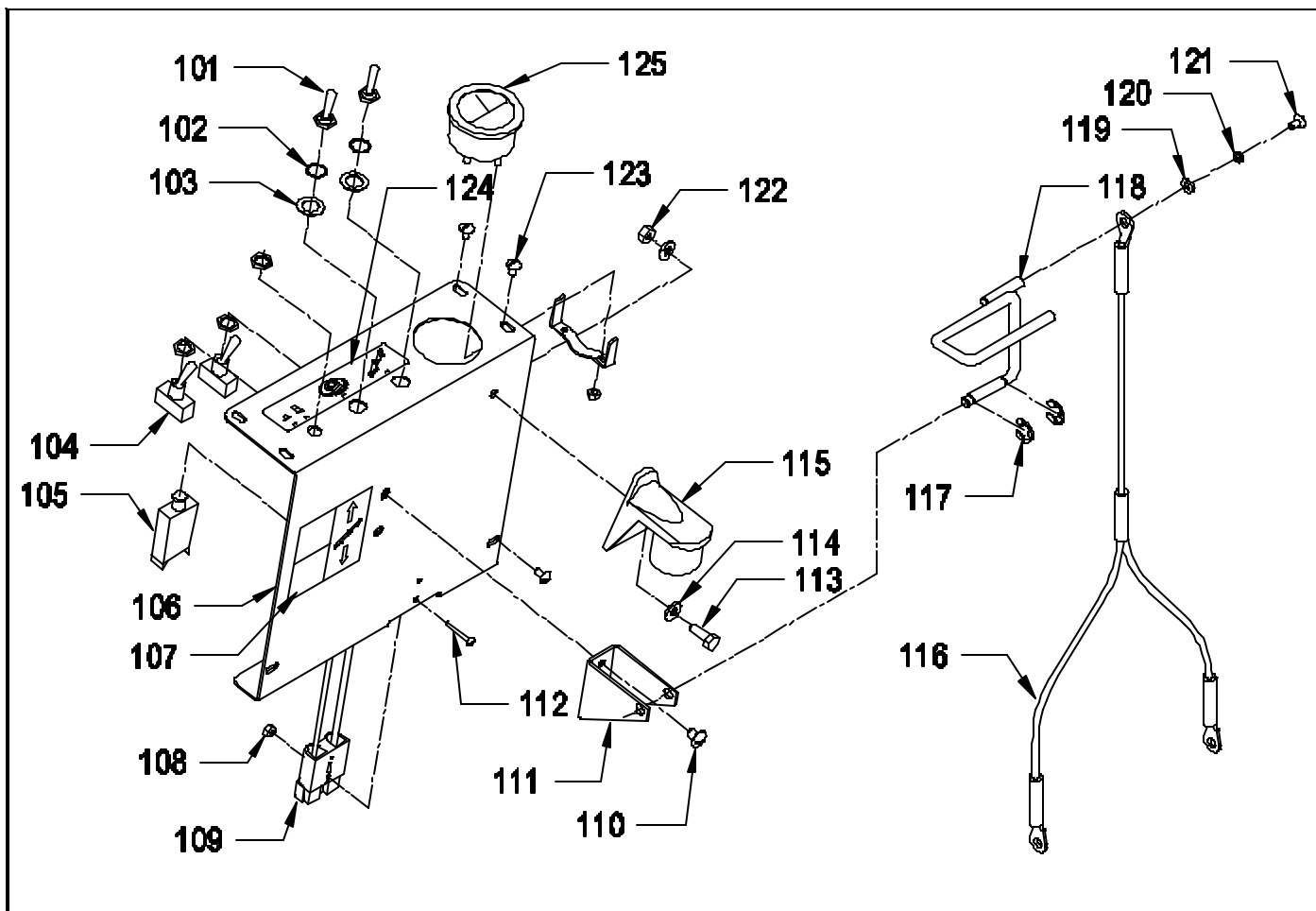


# WIRING DIAGRAM



ITEM	PART NO.	DESCRIPTION	QTY.
1	1393251	WIRE ASSEMBLY - CIRCUIT BREAKER TO BRUSH SWITCH	1
2	1393261	WIRE ASSEMBLY - CIRCUIT BREAKER TO VACUUM SWITCH	1
3	1393271	WIRE ASSEMBLY - VACUUM SWITCH TO VACUUM MOTOR	1
4	1393281	WIRE ASSEMBLY - CIRCUIT BREAKER TO BATTERY METER	1
5	1393291	WIRE ASSEMBLY - BATTERY METER TO MOTORS	1
6	1393301	WIRE ASSEMBLY - ANDERSON TO METER	1
7	1393311	WIRE ASSEMBLY - ANDERSON TO BATTERY	1
8	1393321	WIRE ASSEMBLY - BRUSH SWITCH TO BRUSH MOTOR	1
9	1393331	WIRE ASSEMBLY - BATTERY JUMPER	1
-	2392091	RED CHARGER PLUG	1
-	1392501	VACUUM MOTOR 24 VOLTS DC	1
-	1392951	45 AMP CIRCUIT BREAKER	1
-	2391391	BATTERY METER	1
-	2392111	BATTERY - 115 AMP/HR - 12 VOLT	2
-	2393001	GEAR MOTOR - 3/4 HP - 24 VOLTS DC	1
-	2690581	1/4 SPADE MALE TERMINAL 10-12 YELLOW	4
-	2792041	SWITCH - TOGGLE VACUUM	2

## CONTROL PANEL ASSEMBLY

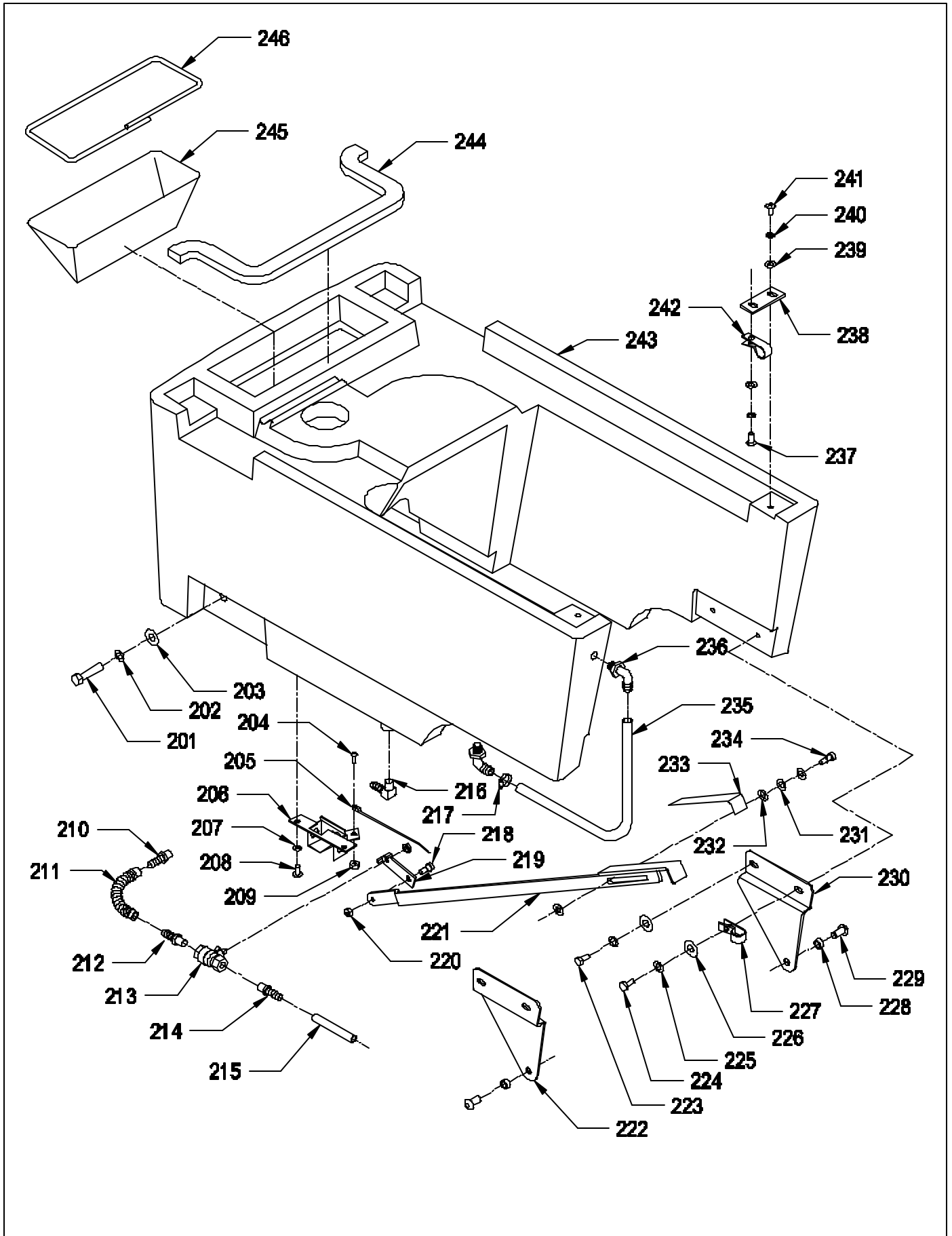


ITEM	PART NO.	DESCRIPTION	QTY.
101	0693141	RUBBER SWITCH BOOT	2
102	0691851	1/2 INTERNAL STAR LOCK WASHER	2
103	9122465	.516 I.D. X .813 O.D. X .027/.030 THICK FLAT WASHER	2
104	2792041	SWITCH, TOGGLE VACUUM	2
105	1392951	45 AMP CIRCUIT BREAKER	1
106	1392553	CONTROL PANEL	1
107	1393381	DECAL KIT - SQUEEGEE LIFT \ BATTERY CHARGING	1
108	9120020	6-32 HEX NUT WITH STAR LOCK WASHER	2
109	1393301	WIRE ASSEMBLY - ANDERSON TO BREAKER / BATTERY METER	1
110	9120990	1/4-20 X 3/8 TRUSS HEAD PHILLIPS MACHINE SCREW	2
111	1392843	LIFT BRACKET - SQUEEGEE	1
112	9120100	6-32 X 1 ROUND HEAD PHILLIPS MACHINE SCREW	2
113	9121250	1/4-20 X 3/4 HEX BOLT WITH NYLON PATCH	1
114	9120930	9/32 I.D. X 5/8 O.D. X .051/.080 THICK SAE FLAT WASHER (1/4)	2
115	4890033	DRAIN HOSE PLUG	1
116	2495301	"Y" SQUEEGEE LIFT CABEL	1
117	1390941	5/16 E RING	2
118	2395921	SQUEEGEE LIFT HANDLE	1
119	9120370	7/32 I.D. X 1/2 O.D. X .032/.065 THICK SAE FLAT WASHER (10)	1
120	9120320	10 SPLIT LOCK WASHER	1
121	9120380	10-24 X 3/8 ROUND HEAD PHILLIPS MACHINE SCREW	1
122	9120900	1/4-20 HEX NUT WITH NY-LOK INSERT	1
123	9120740	10-32 X 3/8 TRUSS HEAD PHILLIPS MACHINE SCREW	6
124	1393381	DECAL KIT - CONTROL PANEL LABEL	1
125	2391391	BATTERY METER	1

## SOLUTION TANK ASSEMBLY

ITEM	PART NO.	DESCRIPTION	QTY.
201	9122340	3/8-16 X 2 HEX BOLT	2
202	9122100	3/8 SPLIT LOCK WASHER	2
203	9122180	13/32 I.D. X 13/16 O.D. X .051/.080 THICK SAE FLAT WASHER (3/8)	2
204	9120420	10-24 X 5/8 ROUND HEAD PHILLIPS MACHINE SCREW	1
205	9123015	WIRE TIE WITH #10 MOUNTING HOLE	1
206	1392941	VALVE BRACKET	1
207	9120880	1/4 SPLIT LOCK WASHER	2
208	9121000	1/4-20 X 5/8 TRUSS HEAD PHILLIPS MACHINE SCREW	2
209	9120350	10-24 HEX NUT WITH NY-LOK INSERT	1
210	2495161	1/2 HOSE BARB X 1/4 MPT	1
211	2692551	6.5" CONVOLUTED TUBING	1
212	2495161	1/2 HOSE BARB X 1/4 MPT	1
213	1391531	SOLUTION VALVE	1
214	2495161	1/2 HOSE BARB X 1/4 MPT	1
215	1393407	1/2 I.D. VINYL HOSE - 4"	1
216	2495151	FITTING ELL 1/2 BARB X 1/4 MNPT	1
217	2392141	HOSE CLAMP 11/16" TO 1 1/4" DIAMETER	1
218	9121505	5/16 X 1/8 SOCKET HEAD SHOULDER BOLT	1
219	1391551	SOLUTION VALVE LEVER	1
220	9120920	1/4-20 HEX NUT	2
221	1390613	VALVE CONTROL BAR	1
222	1392653	LEFT TANK PIVOT BRACKET	1
223	9121000	1/4-20 X 5/8 TRUSS HEAD PHILLIPS MACHINE SCREW	1
224	9121210	1/4-20 X 5/8 HEX BOLT	3
225	9120880	1/4 SPLIT LOCK WASHER	4
226	9120930	9/32 I.D. X 5/8 O.D. X .051/.080 THICK SAE FLAT WASHER (1/4)	4
227	4890851	CABLE CLAMP	1
228	4894371	BUSHING, BRUSH	2
229	9122030	3/8-16 X 3/4 BUTTON HEAD SOCKET SCREW	2
230	1392663	RIGHT TANK PIVOT BRACKET	1
231	1392581	.327 I.D. X .612 O.D. X .013 THICK 1 WAVE SPRING WASHER (5/16)	1
232	9121390	11/32 I.D. X 11/16 O.D. X .051/.080 THICK SAE FLAT WASHER (5/16)	3
233	1393381	DECAL KIT - VALVE LABEL	1
234	9121550	5/16 X 3/8 SOCKET HEAD SHOULDER BOLT	1
235	1391957	3/4 DIA. X 12" LONG DRAIN HOSE - SOLUTION TANK	1
236	1391941	3/8 MPT X 3/4 HOSE BARB X 90 FELL FITTING	2
237	9121010	1/4-20 X 3/4 TRUSS HEAD PHILLIPS MACHINE SCREW	1
238	1392671	TANK HOLD DOWN BRACKET	2
239	9120930	9/32 I.D. X 5/8 O.D. X .051/.080 THICK SAE FLAT WASHER (1/4)	4
240	9120880	1/4 SPLIT LOCK WASHER	4
241	9121000	1/4-20 X 5/8 TRUSS HEAD PHILLIPS MACHINE SCREW	3
242	4890851	CABLE CLAMP	1
243	1390011	SOLUTION TANK	1
244	1393227	1/2 X 1 X 21 GASKET - TANKS	1
245	4891311	FILTER SCREEN BAG	1
246	1390406	FILTER FRAME	1
	1394329	FILTER AND FRAME ASSEMBLY (INCL. ITEMS 245, 246)	1

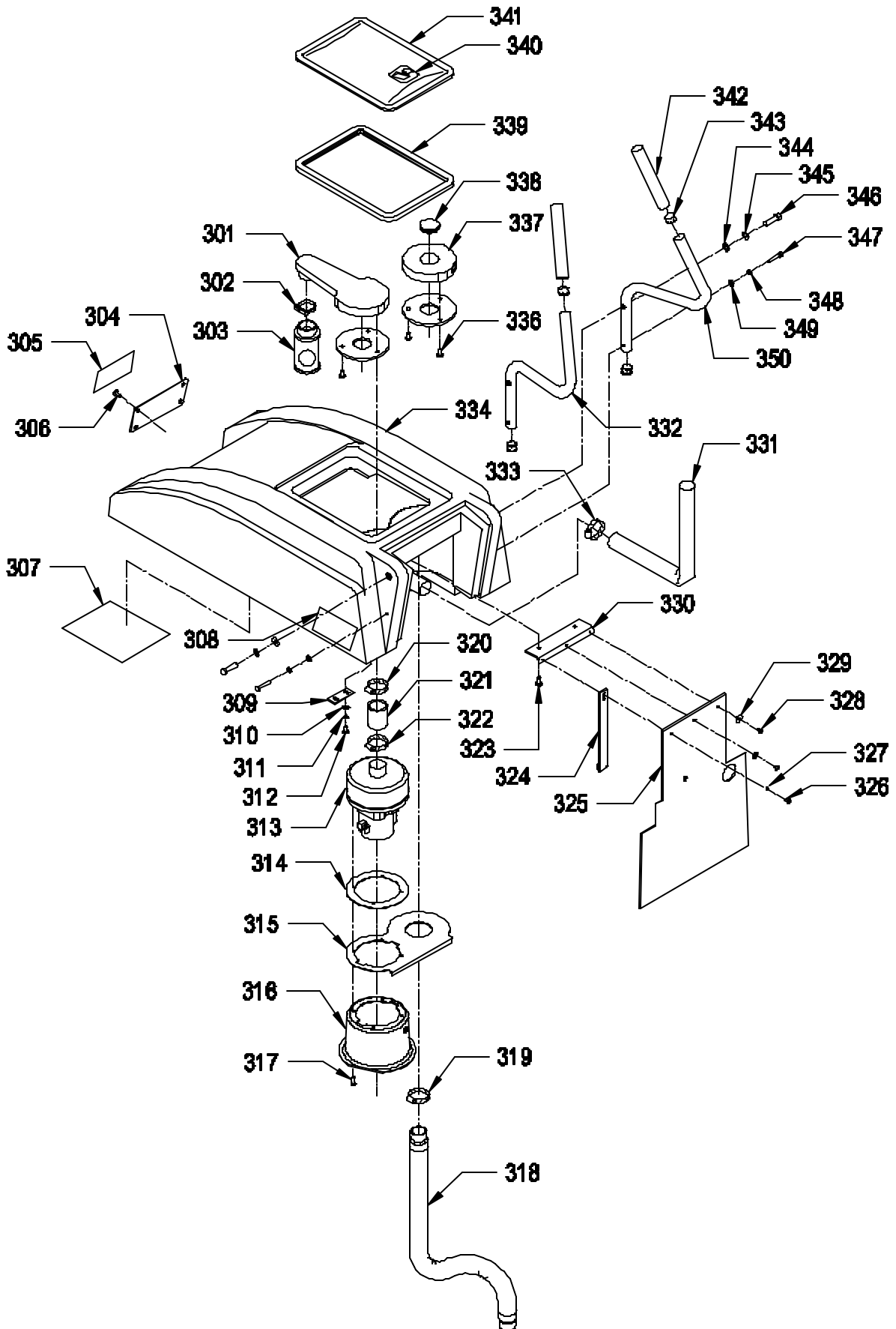
# SOLUTION TANK ASSEMBLY



## RECOVERY TANK ASSEMBLY

ITEM	PART NO.	DESCRIPTION	QTY.
301	1390061	FLOAT CONNECTOR	1
302	4894081	HOSE CLAMP 1.593" TO 1.812" DIAMETER	1
303	2391541	FLOAT SCREEN ASSEMBLY	1
304	1390493	FRONT MOUNTING PLATE	1
305	1393381	DECAL KIT - SOLUTION FILL ICON	1
306	9121000	1/4-20 X 5/8 TRUSS HEAD PHILLIPS MACHINE SCREW	4
307	1393381	DECAL KIT - WIRING DIAGRAM - BATTERY LABEL	1
308	1393381	DECAL KIT - SIDE LABEL 1708	2
	1393381	DECAL KIT - SIDE LABEL 2008	2
309	1392671	TANK HOLD DOWN BRACKET	2
310	9120930	9/32 I.D. X 5/8 O.D. X .051/.080 THICK SAE FLAT WASHER (1/4)	2
311	9120880	1/4 SPLIT LOCK WASHER	2
312	9121000	1/4-20 X 5/8 TRUSS HEAD PHILLIPS MACHINE SCREW	1
313	1392501	VACUUM MOTOR 24 VOLTS DC	1
	2392571	REPLACEMENT CARBON BRUSH, VACUUM MOTOR 24 VOLT	2
314	4690101	FLOAT GASKET - VACUUM MOTOR	1
315	1392513	BAFFLE PLATE - VACUUM MOTOR	1
316	1392531	COVER - VACUUM MOTOR	1
317	9120790	10 X 5/8 PAN HEAD PHILLIPS SHEET METAL SCREW	4
318	2690591	SQUEEGEE VACUUM HOSE WITH CUFFS	1
319	4892671	HOSE CLAMP - 1 1/16" TO 2" DIAMETER	1
320	4892671	HOSE CLAMP - 1 1/16" TO 2" DIAMETER	1
321	1392521	VACUUM MOTOR MOUNTING HOSE	1
322	4892671	HOSE CLAMP - 1 1/16" TO 2" DIAMETER	1
323	9121020	1/4-20 X 1 TRUSS HEAD PHILLIPS MACHINE SCREW	2
324	1393081	VACUUM MOTOR SUPPORT	1
325	1392931	REAR RUBBER NOISE DEFLECTOR	1
326	9120510	10-24 X 1/2 TRUSS HEAD PHILLIPS MACHINE SCREW	1
327	9120930	9/32 I.D. X 5/8 O.D. X .051/.080 THICK SAE FLAT WASHER (1/4)	1
328	9120500	10-24 X 3/8 TRUSS HEAD PHILLIPS MACHINE SCREW	2
329	9120930	9/32 I.D. X 5/8 O.D. X .051/.080 THICK SAE FLAT WASHER (1/4)	2
330	1392921	REAR RUBBER MOUNT BRACKET	1
331	1390801	DIRTY WATER DRAIN HOSE	1
332	1392561	LEFT HANDLE	1
333	4892671	HOSE CLAMP - 1 1/16" TO 2" DIAMETER	1
334	1390021	RECOVERY TANK	1
335	2391611	INLET TUBE GASKET	2
336	9121000	1/4-20 X 5/8 TRUSS HEAD PHILLIPS MACHINE SCREW	4
337	1390351	AIR INTAKE	1
338	1390381	CLEAN-OUT CAP	1
339	1390811	RECOVERY TANK COVER GASKET	1
340	1393381	DECAL KIT - REAR MANUAL LABEL	1
341	1390041	CLEAR COVER, RECOVERY TANK	1
342	1391961	HANDLE GRIP	2
343	0690761	PLUG BUTTON	4
344	9122180	13/32 I.D. X 13/16 O.D. X .051/.080 THICK SAE FLAT WASHER (3/8)	2
345	9122100	3/8 SPLIT LOCK WASHER	2
346	9122075	3/8-16 X 1 1/2 HEX BOLT	2
347	9121280	1/4-20 X 1 1/2 HEX BOLT	2
348	9120880	1/4 SPLIT LOCK WASHER	2
349	9120930	9/32 I.D. X 5/8 O.D. X .051/.080 THICK SAE FLAT WASHER (1/4)	2
350	1392571	RIGHT HANDLE	1

# RECOVERY TANK ASSEMBLY

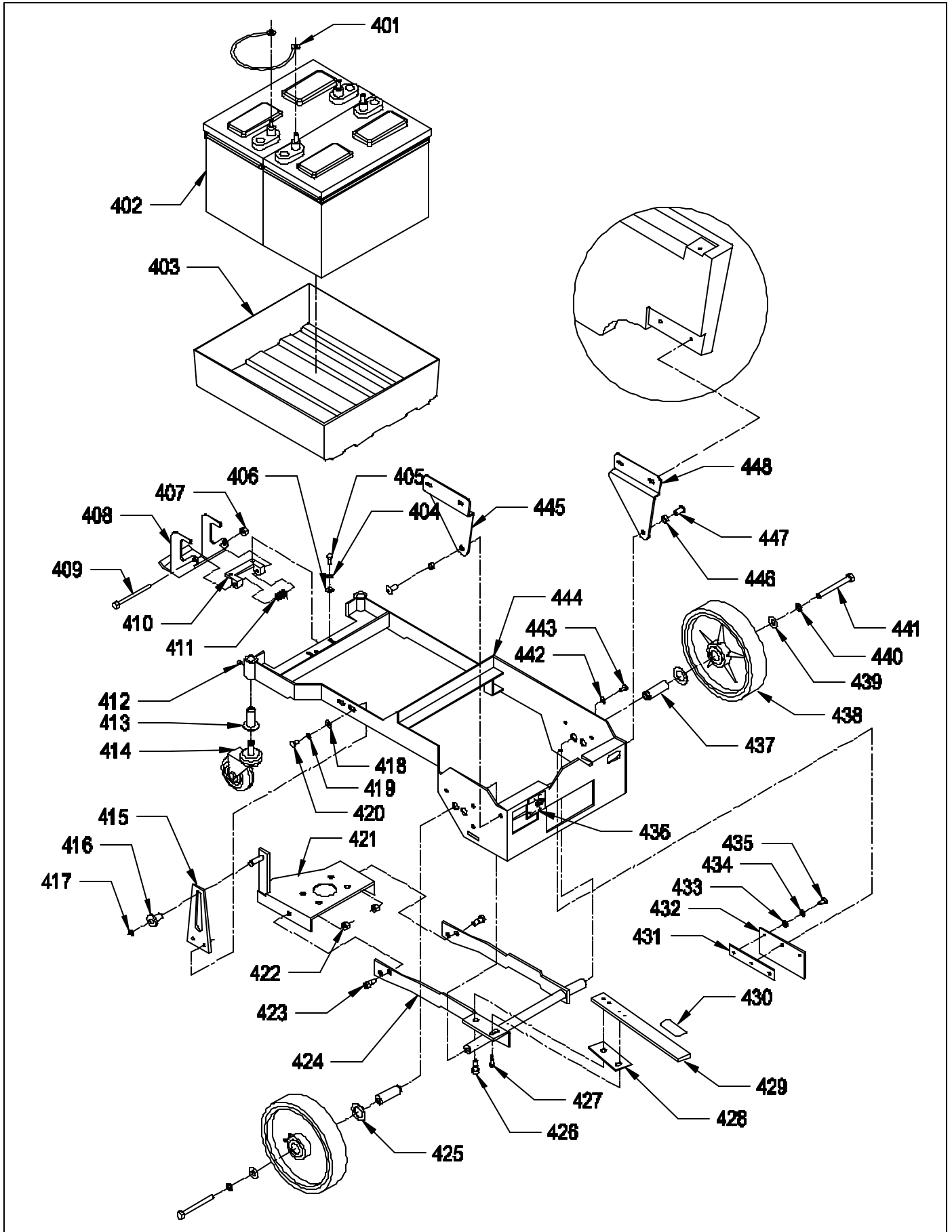


## 1708 FRAME ASSEMBLY

ITEM	PART NO.	DESCRIPTION	QTY.
401	1393331	BATTERY JUMPER	1
402	-----	BATTERIES - SEE ACCESSORY PAGE	2
403	1390291	BATTERY TRAY	1
404	9120880	1/4 SPLIT LOCK WASHER	2
405	9121210	1/4-20 X 5/8 HEX BOLT	2
406	9120930	9/32 I.D. X 5/8 O.D. X .051/.080 THICK SAE FLAT WASHER (1/4)	2
407	9120900	1/4-20 HEX NUT WITH NY-LOK INSERT	1
408	1392883	FOOT PEDAL	1
409	9121360	1/4-20 X 4 HEX BOLT	1
410	1392912	BRACKET - FOOT PEDAL - TANK RELEASE	1
411	1392901	SPRING - FOOT PEDAL - TANK RELEASE	1
412	9120850	1/4-20 X 5/16 SET SCREW - KNURL POINT	2
413	1392491	PLASTIC SOCKET INSERT 7/16 I.D.	2
414	1392481	CASTER ONLY 7/16 X 1 3/4 STEM	2
	1392489	CASTER WITH INSERT	2
415	1392751	BRUSH MOTOR GUIDE BRACKET	1
416	1391151	BUSHING - 3/8 NYLON	1
417	1391261	3/8 RETAINING RING	1
418	9121390	11/32 I.D. X 11/16 O.D. X .051/.080 THICK SAE FLAT WASHER	2
419	9121520	5/16 SPLIT LOCK WASHER	2
420	9121560	5/16-18 X 1/2 HEX BOLT	2
421	1392621	BRUSH MOTOR TILT BASE	1
422	9121430	5/16-18 THIN HEX NUT WITH NY-LOK INSERT	2
423	9122020	3/8 DIAMETER X 3/8 LONG SOCKET HEAD SHOULDER BOLT (5/16-18)	2
424	1392631	BRUSH LIFT ARM	1
425	9123105	3/4 I.D. X 1 1/4 O.D. X .071/.082 THICK FLAT WASHER (11 GAGE)	2
426	9122020	3/8 DIAMETER X 3/8 LONG SOCKET HEAD SHOULDER BOLT (5/16-18)	1
427	9121190	1/4 DIAMETER X 3/8 LONG SOCKET HEAD SHOULDER BOLT (10-24)	1
428	1391271	FOOT PEDAL SLIDE	1
429	1392643	BRUSH LIFT FOOT PEDAL	1
430	1390571	STEP TREAD	1
431	1392981	INSIDE SPLASH GUARD STRAP	1
432	1392991	INSIDE SPLASH GUARD	1
433	9120370	7/32 I.D. X 1/2 O.D. X .032/.065 THICK SAE FLAT WASHER (10)	1
434	9120320	10 SPLIT LOCK WASHER	1
435	9120420	10-24 X 5/8 ROUND HEAD PHILLIPS MACHINE SCREW	1
436	1393381	DECAL KIT - BRUSH LIFT LABEL	1
437	1392591	AXLE	2
438	4490511	WHEEL - 8"	2
439	9121980	7/16 I.D. X 1 O.D. X .075/.080 THICK WROUGHT WASHER (3/8)	2
440	9122100	3/8 SPLIT LOCK WASHER	2
441	9122090	3/8-16 X 3 1/2 HEX BOLT	2
442	9120320	10 SPLIT LOCK WASHER	2
443	9120420	10-24 X 5/8 ROUND HEAD PHILLIPS MACHINE SCREW	2
444	1392603	MAIN FRAME	1
445	1392653	LEFT TANK PIVOT BRACKET	1
446	4894371	BUSHING	2
447	9122030	3/8-16 X 3/4 BUTTON HEAD SOCKET SCREW	2
448	1392663	RIGHT TANK PIVOT BRACKET	1
N/S	-----	CHARGER - SEE ACCESSORY PAGE	1



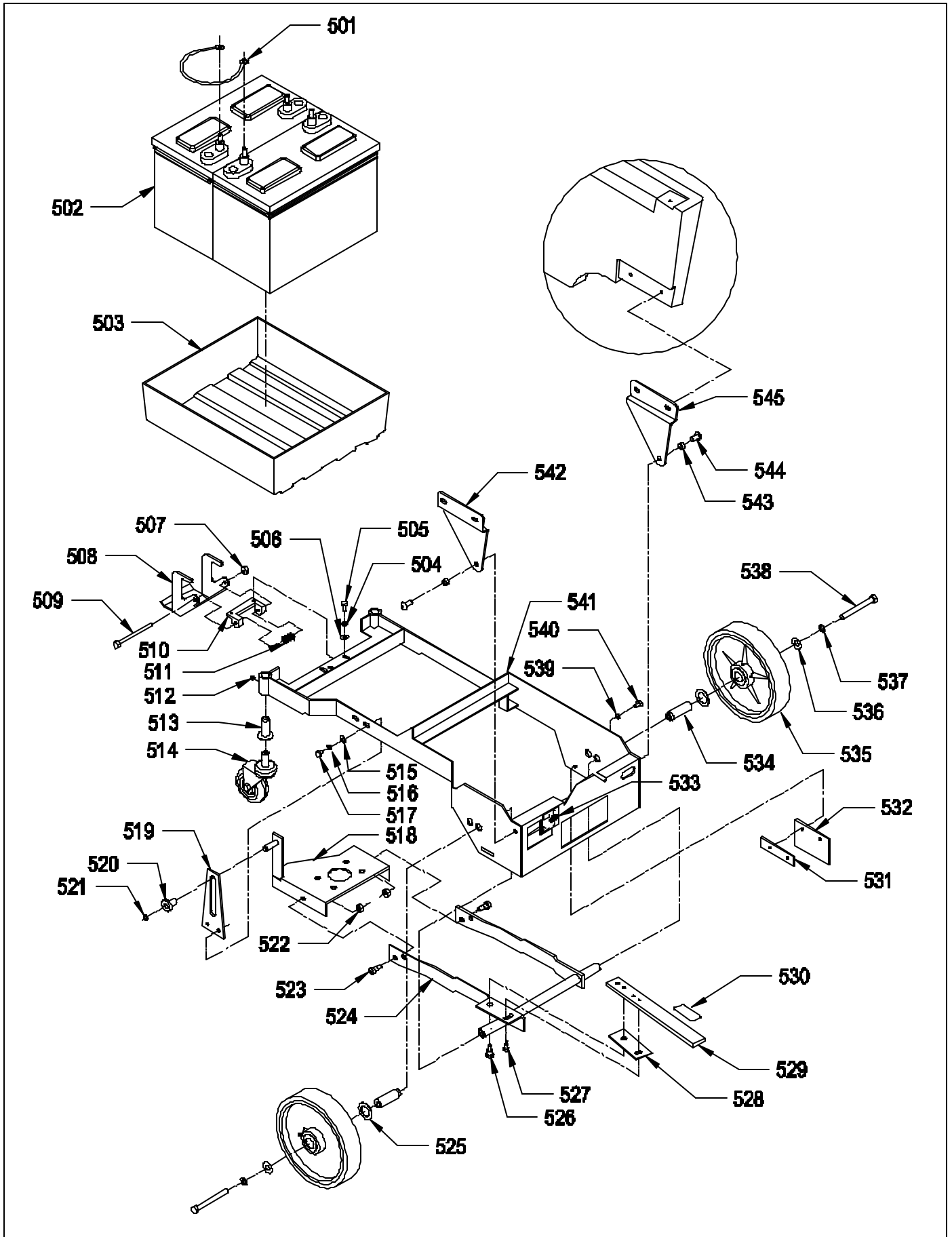
# 1708 FRAME ASSEMBLY



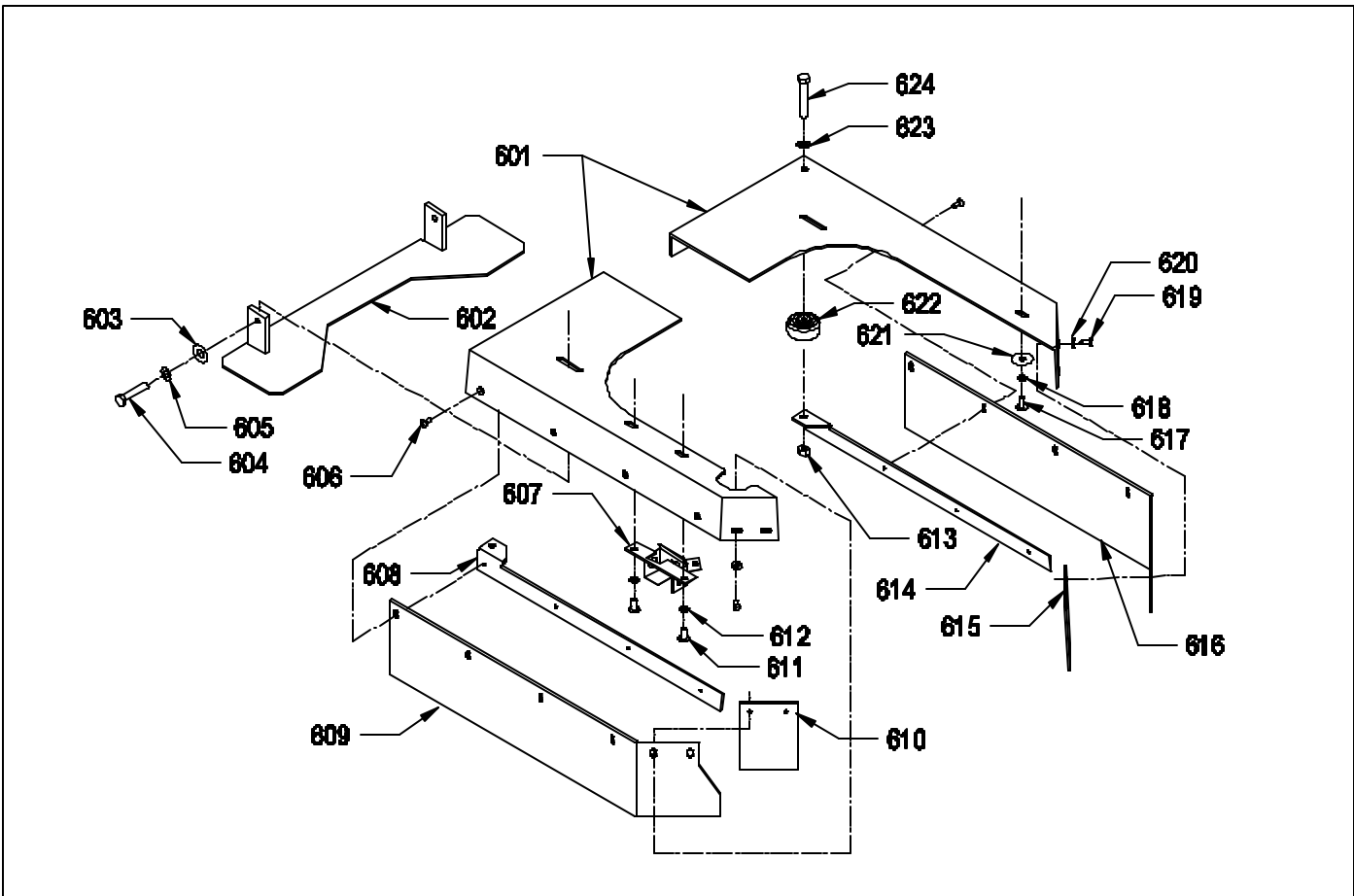
## 2008 FRAME ASSEMBLY

ITEM	PART NO.	DESCRIPTION	QTY.
501	1393331	BATTERY JUMPER	1
502	-----	BATTERIES - SEE ACCESSORY PAGE	2
503	1390291	BATTERY TRAY	1
504	9120880	1/4 SPLIT LOCK WASHER	2
505	9121210	1/4-20 X 5/8 HEX BOLT	2
506	9120930	9/32 I.D. X 5/8 O.D. X .051/.080 THICK SAE FLAT WASHER (1/4)	2
507	9120900	1/4-20 HEX NUT WITH NY-LOK INSERT	1
508	1392883	FOOT PEDAL	1
509	9121360	1/4-20 X 4 HEX BOLT	1
510	1392912	BRACKET - FOOT PEDAL - TANK RELEASE	1
511	1392901	SPRING - FOOT PEDAL - TANK RELEASE	1
512	9120850	1/4-20 X 5/16 SET SCREW - KNUURL POINT	2
513	1392491	PLASTIC SOCKET INSERT 7/16 I.D.	2
514	1392481	CASTER ONLY 7/16 X 1 3/4 STEM	2
	1392489	CASTER WITH INSERT	2
515	9121390	11/32 I.D. X 11/16 O.D. X .051/.080 THICK SAE FLAT WASHER (5/16)	2
516	9121520	5/16 SPLIT LOCK WASHER	2
517	9121560	5/16-18 X 1/2 HEX BOLT	2
518	1392621	BRUSH MOTOR TILT BASE	1
519	1392751	BRUSH MOTOR GUIDE BRACKET	1
520	1391151	BUSHING - 3/8 NYLON	1
521	1391261	3/8 RETAINING RING	1
522	9121430	5/16-18 THIN HEX NUT WITH NY-LOK INSERT	2
523	9122020	3/8 DIAMETER X 3/8 LONG SOCKET HEAD SHOULDER BOLT (5/16-18)	2
524	1392631	BRUSH LIFT ARM	1
525	9123105	3/4 I.D. X 1 1/4 O.D. X .071/.082 THICK FLAT WASHER (11 GAGE)	2
526	9122020	3/8 DIAMETER X 3/8 LONG SOCKET HEAD SHOULDER BOLT (5/16-18)	1
527	9121190	1/4 DIAMETER X 3/8 LONG SOCKET HEAD SHOULDER BOLT (10-24)	1
528	1391271	FOOT PEDAL SLIDE	1
529	1392643	BRUSH LIFT FOOT PEDAL	1
530	1390571	STEP TREAD	1
531	1392981	INSIDE SPLASH GUARD STRAP	1
532	1392991	INSIDE SPLASH GUARD	1
533	1393381	DECAL KIT - BRUSH LIFT LABEL	1
534	1392591	AXLE	2
535	4490511	WHEEL - 8"	2
536	9121980	7/16 I.D. X 1 O.D. X .075/.080 THICK WROUGHT WASHER (3/8)	2
537	9122100	3/8 SPLIT LOCK WASHER	2
538	9122090	3/8-16 X 3 1/2 HEX BOLT	2
539	9120320	10 SPLIT LOCK WASHER	2
540	9120420	10-24 X 5/8 ROUND HEAD PHILLIPS MACHINE SCREW	2
541	1392603	MAIN FRAME	1
542	1392653	LEFT TANK PIVOT BRACKET	1
543	4894371	BUSHING	2
544	9122030	3/8-16 X 3/4 BUTTON HEAD SOCKET SCREW	2
545	1392663	RIGHT TANK PIVOT BRACKET	1
N/S	-----	CHARGER - SEE ACCESSORY PAGE	1

# 2008 FRAME ASSEMBLY

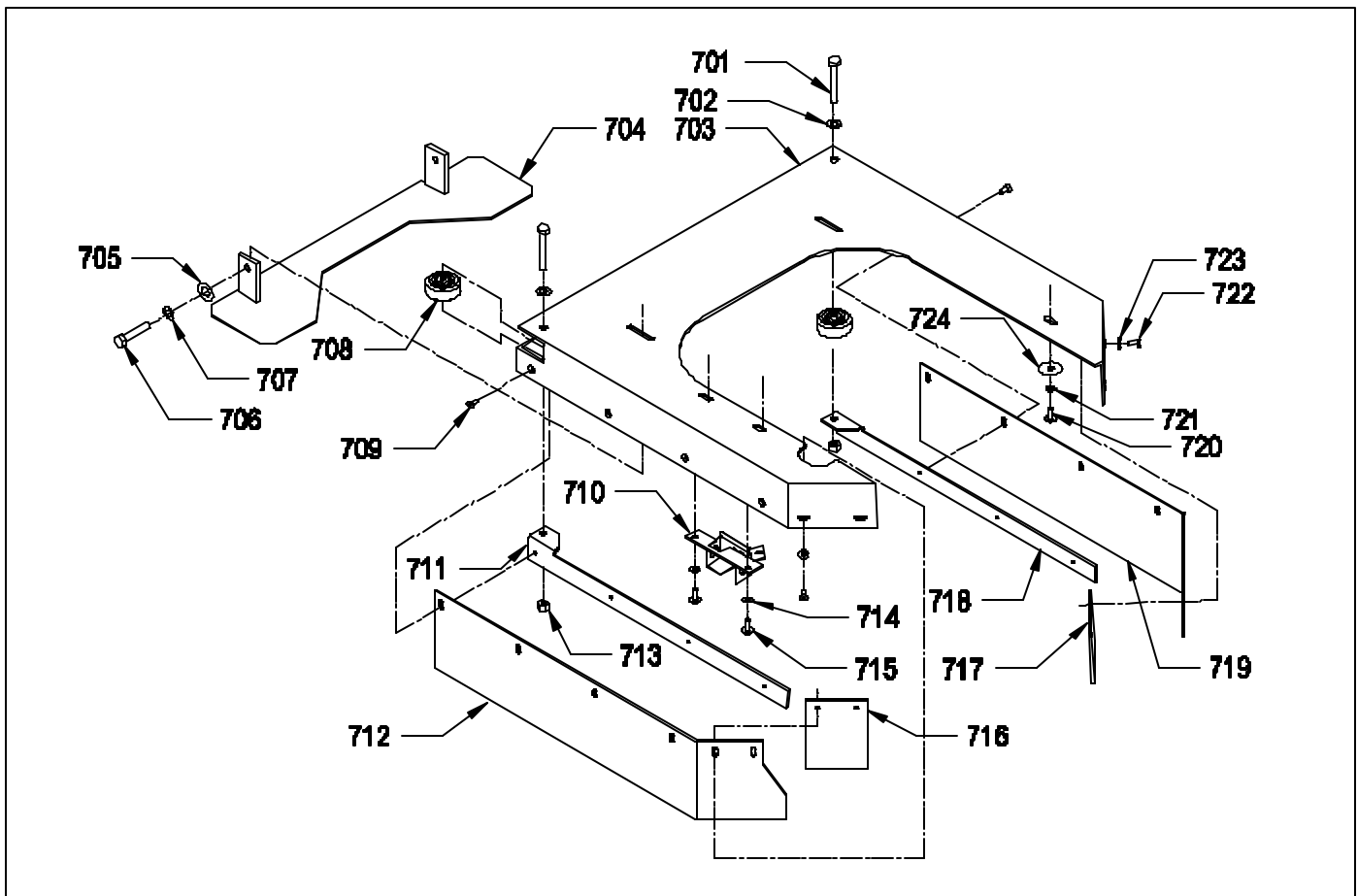


## 1708 SKIRT ASSEMBLY



ITEM	PART NO.	DESCRIPTION	QTY.
601	1392701	SKIRT	1
602	1392613	SKIRT MOUNTING BRACKET AND LATCH	1
603	9122180	13/32 I.D. X 13/16 O.D. X .051/.080 THICK SAE FLAT WASHER (3/8)	2
604	9122340	3/8-16 X 2 HEX BOLT	2
605	9122100	3/8 SPLIT LOCK WASHER	2
606	9120540	10-24 X 1/2 FLAT HEAD PHILLIPS MACHINE SCREW	8
607	1392941	VALVE BRACKET	1
608	1392721	LEFT SKIRT STRAP	1
609	1392711	LEFT SPLASH GUARD	1
610	1392811	LEFT REAR SKIRT STRAP	1
611	9121000	1/4-20 X 5/8 TRUSS HEAD PHILLIPS MACHINE SCREW	2
612	9120880	1/4 SPLIT LOCK WASHER	2
613	9121450	5/16-18 HEX NUT WITH NY-LOK INSERT	1
614	1392741	RIGHT SKIRT STRAP	1
615	1392821	RIGHT REAR SKIRT STRAP	1
616	1392731	RIGHT SPLASH GUARD	1
617	9121000	1/4-20 X 5/8 TRUSS HEAD PHILLIPS MACHINE SCREW	2
618	9120880	1/4 SPLIT LOCK WASHER	2
619	9120410	10-24 X 1/2 ROUND HEAD PHILLIPS MACHINE SCREW	4
620	9120370	7/32 I.D. X 1/2 O.D. X .032/.065 THICK SAE FLAT WASHER (10)	4
621	9120950	1/4 X 1 1/4 FENDER WASHER	1
622	3096741	BUMPER WHEEL - SMALL GRAY	1
623	9121390	11/32 I.D. X 11/16 O.D. X .051/.080 THICK SAE FLAT WASHER (5/16)	1
624	9121640	5/16-18 X 3/4 HEX BOLT	1

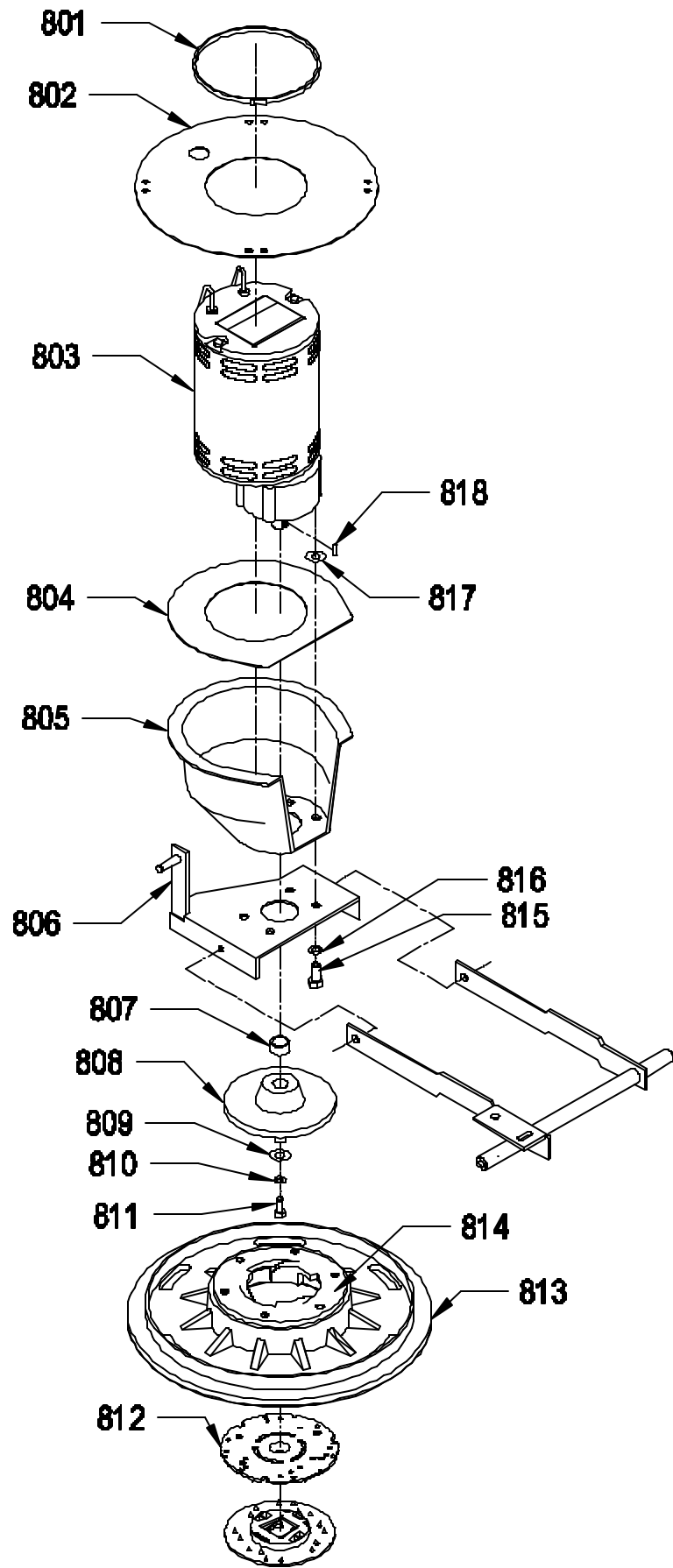
## 2008 SKIRT ASSEMBLY



ITEM	PART NO.	DESCRIPTION	QTY.
701	9121640	5/16-18 X 3/4 HEX BOLT	1
702	9121390	11/32 I.D. X 11/16 O.D. X .051/.080 THICK SAE FLAT WASHER (5/16)	1
703	1392761	SKIRT	1
704	1392613	SKIRT MOUNTING BRACKET AND LATCH	1
705	9122180	13/32 I.D. X 13/16 O.D. X .051/.080 THICK SAE FLAT WASHER (3/8)	2
706	9122340	3/8-16 X 2 HEX BOLT	2
707	9122100	3/8 SPLIT LOCK WASHER	2
708	3096741	BUMPER WHEEL - SMALL GRAY	2
709	9120540	10-24 X 1/2 FLAT HEAD PHILLIPS MACHINE SCREW	8
710	1392941	VALVE BRACKET	1
711	1392721	LEFT SKIRT STRAP	1
712	1392771	LEFT SPLASH GUARD	1
713	9121450	5/16-18 HEX NUT WITH NY-LOK INSERT	1
714	9120880	1/4 SPLIT LOCK WASHER	2
715	9121000	1/4-20 X 5/8 TRUSS HEAD PHILLIPS MACHINE SCREW	2
716	1392791	LEFT REAR SKIRT STRAP	1
717	1392801	RIGHT REAR SKIRT STRAP	1
718	1392741	RIGHT SKIRT STRAP	1
719	1392781	RIGHT SPLASH GUARD	1
720	9121000	1/4-20 X 5/8 TRUSS HEAD PHILLIPS MACHINE SCREW	2
721	9120880	1/4 SPLIT LOCK WASHER	2
722	9120410	10-24 X 1/2 ROUND HEAD PHILLIPS MACHINE SCREW	4
723	9120370	7/32 I.D. X 1/2 O.D. X .032/.065 THICK SAE FLAT WASHER (10)	4
724	9120950	1/4 X 1 1/4 FENDER WASHER	1

## **BRUSH MOTOR ASSEMBLY**

ITEM	PART NO.	DESCRIPTION	QTY.
801	1392871	TIE WRAP	2
802	1392851	BRUSH MOTOR UPPER DRIP CAP	1
803	2393001	GEAR MOTOR 3/4 HP 24 VOLTS DC	1
	3391081	CARBON BRUSH, 24 AND 36 VOLTS DC	4
804	1392861	BRUSH MOTOR LOWER DRIP CAP	1
805	1392541	BRUSH MOTOR SPLASH GUARD	1
806	1392621	BRUSH MOTOR TILT BASE	1
807	2393061	SPACER	1
808	2393052	CLUTCH CASTING	1
809	9121400	3/8 I.D. X 7/8 O.D. X .064/.104 THICK WROUGHT WASHER (5/16)	1
810	9121520	5/16 SPLIT LOCK WASHER	1
811	9121680	5/16-18 X 1 HEX BOLT	1
812	5990721	SPRING CLIP PAD HOLDER SET (WHITE)	1
813	2897601	17" STRUCTURAL FOAM PAD DRIVER	1
	2892601	20" STRUCTURAL FOAM PAD DRIVER	1
	2897211	17" POLY BACK TUFTED PAD DRIVER WITH PAD HOLDER	1
	-----	SEE ACCESSORY PAGE FOR TYPES OF BRUSHES	1
814	2890951	CLUTCH PLATE, PLASTIC 5" DIAMETER 6 HOLES - CREAM COLOR	1
815	9122220	3/8-16 X 3/4 HEX BOLT	4
816	9122100	3/8 SPLIT LOCK WASHER	4
817	9122180	13/32 I.D. X 13/16 O.D. X .051/.080 THICK SAE FLAT WASHER (3/8)	2
818	2792681	1/4 X 1/4 X 1 MOTOR KEY	1

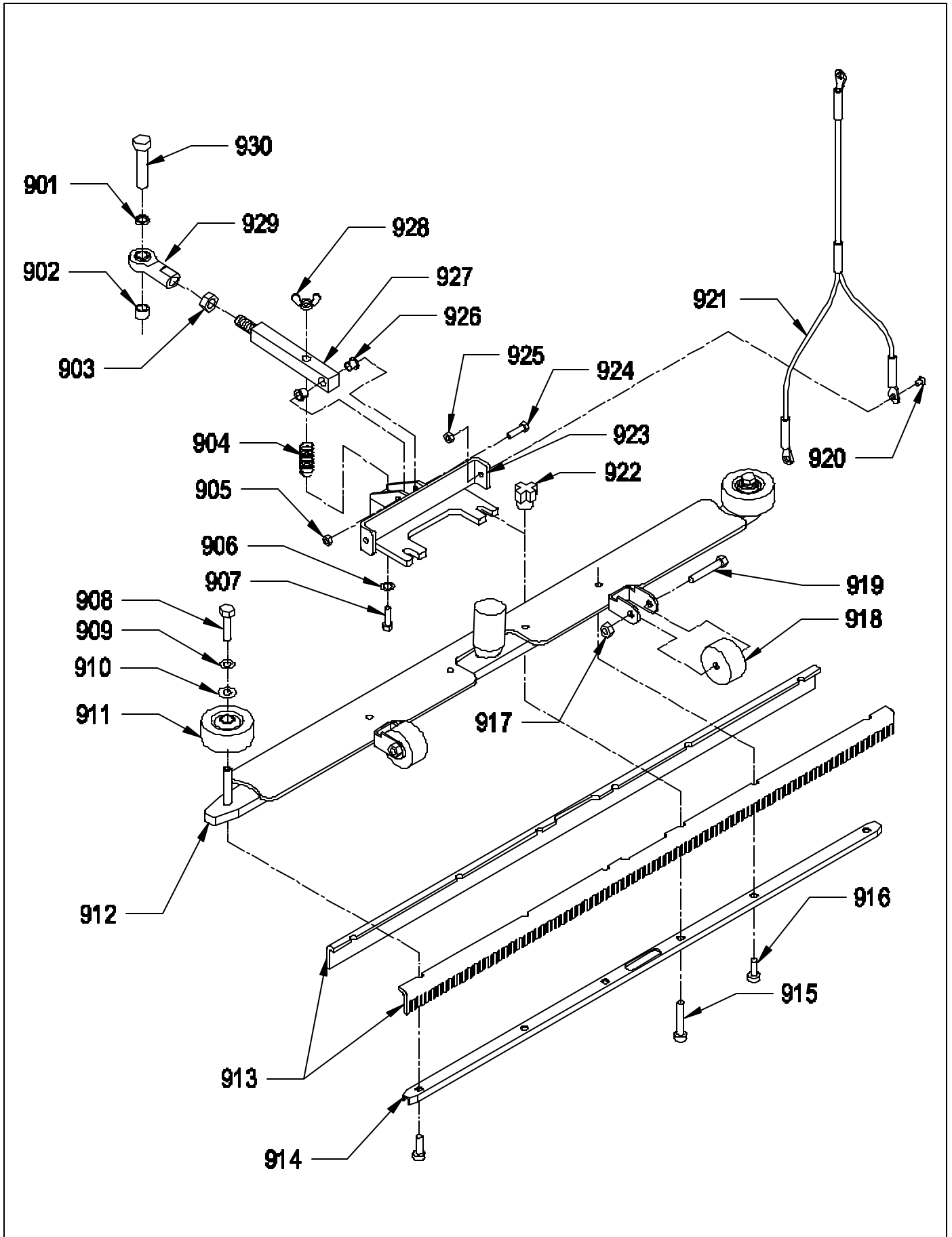


## **SQUEEGEE ASSEMBLY**

ITEM	PART NO.	DESCRIPTION	QTY.
901	1090981	SWITCH GUARD SPACER	1
902	2391461	BUSHING - LIFT LEVER	1
903	9122670	1/2-20 HEX JAM NUT	1
904	3695581	HEIGHT ADJUSTING SPRING	1
905	9122140	3/8-16 HEX NUT WITH NY-LOK INSERT	1
906	9121520	5/16 SPLIT LOCK WASHER	1
907	9122130	5/16-18 X 2 1/4 HEX BOLT	1
908	9121560	5/16-18 X 1/2 HEX BOLT	2
909	9121410	5/16 EXTERNAL STAR LOCK WASHER	2
910	9121390	11/32 I.D. X 11/16 O.D. X .051/.080 THICK SAE FLAT WASHER (5/16)	2
911	2790281	3" BUMPER WHEEL	2
912	2692523	NARROW MOUNT SQUEEGEE HOUSING	1
	2692539	NARROW MOUNT SQUEEGEE ASSEMBLY (INCL. ITEMS 911-914, 918,922)	1
913	2791061	32" REPLACEMENT SQUEEGEE BLADES, SET OF 2	1
914	2692533	INNER CHANNEL, SQUEEGEE - NARROW MOUNT	1
915	9121920	5/16-18 X 1 1/2 SOCKET HEAD CAP SCREW	2
916	9121880	5/16-18 X 3/4 SOCKET HEAD CAP SCREW	4
917	9121450	5/16-18 HEX NUT WITH NY-LOK INSERT	2
918	3096741	WHEEL, BUMPER - SMALL GRAY	2
919	9121760	5/16-18 X 1 3/4 HEX BOLT	2
920	9121010	1/4-20 X 3/4 TRUSS HEAD PHILLIPS MACHINE SCREW	2
921	2495301	"Y" SQUEEGEE LIFT CABLE	1
922	2791002	SQUEEGEE KNOB	2
923	1390171	SQUEEGEE BRACKET	1
924	9122340	3/8-16 X 2 HEX BOLT	1
925	9120900	1/4-20 HEX NUT WITH NY-LOK INSERT	2
926	1391171	3/8 FLANGE NYLINER	2
927	1390156	SQUEEGEE SHAFT	1
928	9121445	5/16-18 WING NUT WITH NY-LOK INSERT	1
929	2391941	BALL JOINT	1
930	9122540	1/2-13 X 1 1/4 HEX BOLT	1



# SQUEEGEE ASSEMBLY



## ACCESSORIES



- 2392129 WET PICKUP KIT, INCLUDES:  
 2291211 5" CONNECTOR, ALUMINUM  
 2391231 VACUUM HOSE, 7 FOOT  
 5797011 TOOL - SQUEEGEE WITH WHEELS, 15"  
 5790331 STEEL WAND, 2 PIECE  
 2391241 HOSE STRAP  
 9997550 VELCRO HOOK  
 9997560 VELCRO LOOP



- 2392179 BRUSH / SQUEEGEE KIT, INCLUDES:  
 2291215 5" CONNECTOR, ALUMINUM  
 2290209 STEEL WAND, 1 PIECE  
 2391231 VACUUM HOSE, 7 FOOT  
 3097849 14" BRUSH / SQUEEGEE TOOL



- 2890951 CLUTCH PLATE, PLASTIC 5" DIAMETER 6 HOLES - CREAM



- 5990721 SPRING CLIP PAD HOLDER SET



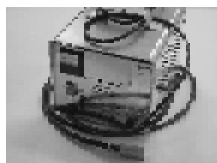
- 2897211 17" POLY BACK TUFTED PAD DRIVER W/PAD HOLDER  
 2897601 17" STRUCTURAL FOAM PAD DRIVER  
 2892601 20" STRUCTURAL FOAM PAD DRIVER



- 2897201 17" POLY BACK NYLON FILL SCRUB BRUSH  
 2897711 17" POLY BACK NYLO GRIT SCRUB BRUSH  
 2897901 17" POLY BACK SCRUB GRIT BRUSH  
 2892031 20" PLASTIC BACK BASSINE SCRUB BRUSH  
 2892201 20" POLY BACK NYLON FILL SCRUB BRUSH  
 2892701 20" POLY BACK BRUSH, SHOWER FEED  
 2892711 20" POLY BACK NYLO GRIT SCRUB BRUSH



- 2392111 12 VOLT BATTERY, 115 AMP/HR - WET  
 2392731 12 VOLT BATTERY, 100 AMP/HR - GEL  
 2392821 12 VOLT BATTERY, 115 AMP/HR - DRY



- 2396071 CHARGER, 24 VOLT 10 AMP FOR 120 VOLT BATTERY  
 2392011 CHARGER, 24 VOLT FOR 120 VOLT GEL BATTERY  
 2391991 CHARGER, 24 VOLT FOR 240 VOLT BATTERY  
 2392941 CHARGER, 24 VOLT FOR 240 VOLT GEL BATTERY

- 9091001 HARDWARE CATALOG  
 9091002 HOSES, TOOLS AND ACCESSORIES CATALOG  
 9091718 OPERATORS MANUAL

## **TROUBLE SHOOTING**

<b>PROBLEM</b>	<b>CAUSE</b>	<b>SOLUTION</b>
No Solution Flow	The solution valve is closed. Obstruction in the solution hose. Solution valve or linkage damaged. Solution tank is empty.	Open the solution valve. Remove the obstruction. Repair/replace the valve linkage. Fill the tank.
Solution Flow Does Not Stop	The solution valve is open. Solution valve or linkage damage. Solution valve is dirty. Damaged seat and washer in valve. The valve stem is dirty.	Close the solution valve. Repair/replace the valve linkage. Clean the solution valve. Replace valve. Clean and lubricate valve stem.
Will Not Pick Up Any Water From Floor	Squeegee is up. Vac motor switch is "off". Recovery tank is full. Vacuum shut-off float is stuck squeegee hose or standpipe. Leaking cover gasket. Vac motor is not running.	Lower squeegee. Turn vac motor switch "on". Empty tank. Open float valve / remove obstruction.  Remover old gasket / replace. Have an authorized serviceman repair.
Will Not Pick Up All Water From Floor	Squeegee blade is worn / damaged. Obstruction/damage in the squeegee, squeegee hose or standpipe. Squeegee pressure needs adjustment. Vacuum motor worn out.	Reverse/replace squeegee blade. Remove obstruction/repair damage.  Adjust pressure. Repair/replace vac motor.
Batteries Do Not Seem To Run Long Enough	Tops of batteries are dirty/wet. Battery terminals are dirty/damaged.  Electrolyte level is too low. Batteries are not fully charged. Battery is defective.  Charger is damaged.	Clean/dry charge batteries. Clean terminals and connectors, replace damaged cables. Charge. Add distilled water and charge. Charge batteries for 8 hours. Have an authorized serviceman repair.  Check cell voltage while discharging.
Cleaning Is Not Even	Brush/pads are worn. Damage to brush assembly, casters, or solution valve. Motor is not running.	Replace. Have authorized serviceman repair.  Repair wiring, replace switch, replace carbon brushes. Reset circuit breaker button.
Machine Does Not Run	The machine loses power.	Reset circuit breaker. Check battery connections.

NOTE: If problems remain after taking the above steps, contact your local authorized service station for further evaluation and repair.



## **NSS ® Enterprises, Inc.**

3115 Frenchmens Road, Toledo, Ohio 43607

PHONE (419) 531-2121 FAX (419) 531-3761

**NSS ® Enterprises, Inc. European Distribution Centre**

Unit II, Pinfold Trading Estate \* 55 Nottingham Road

STAPLEFORD, NOTTINGHAM NG9 8AD ENGLAND U.K.

PHONE: (44) 0115 939 1568 \* FAX: (44) 0115 949 0615