

WRANGLER 24

IMPORTANT SAFETY INSTRUCTIONS



**READ AND UNDERSTAND ALL INSTRUCTIONS
BEFORE OPERATING OR SERVICING MACHINE**



DANGER!

**Failure to Observe These Instructions Can Cause Personal Injury to
Machine Operator, By-Standers or Possible Machine Damage.**

- **NEVER** attempt to operate this machine unless you have been trained in its operation.
- **NEVER** allow an untrained person to operate this machine.
- Use this machine **ONLY** as described in this manual.
- **NEVER** attempt to operate this machine if it is not working properly or has been damaged in any manner.
- **NEVER** disconnect or modify any switch or safety device (circuit breaker) on this machine.
- **ALWAYS** operate this machine from the rear control panel, not from the side.
- **NEVER** drop or insert any object into any machine opening.
- **ALWAYS** keep face, fingers, hair or any body part, or loose clothing away from any machine opening or moving part (revolving brush, pad driver or vacuum motor).
- **NEVER** operate machine with any air opening blocked. Keep all air openings free of dust, lint, hair etc.
- **NEVER** spray machine with water or any liquids.
- **NEVER** allow vacuum motor or battery charging plug to get wet. Vacuum motor and battery charging plug will short out if wet.
- **NEVER** operate machine when battery charger is plugged in.
- **NEVER** operate machine in an explosive atmosphere (grain dusts, flammable liquids or fumes).
- **NEVER** use flammable liquids (gas, kerosene, solvents or thinners) to clean floor.
- **ALWAYS** turn OFF brush switch when attaching pads or brushes.
- **NEVER** operate machine with splash skirt removed.
- **NEVER** leave machine unattended.
- **ALWAYS** store this machine indoors in a dry, cool area.

**PERSONAL INJURY AND PROPERTY DAMAGE FROM MACHINE OVERTURNING, BATTERIES
FALLING OUT OF MACHINE OR BATTERIES LEAKING ACID CAN OCCUR IF YOU DO NOT FOLLOW
THESE PRECAUTIONS:**

- ALWAYS** be sure ramp is secured to vehicle before attempting to load/unload.
- ALWAYS** use extreme caution when operating machine on a ramp or loading/unloading a machine into or out of a truck. Use extreme caution if ramp is wet, oily or covered with cleaning chemicals.
- NEVER** turn machine on an incline.
- NEVER** stop machine on a ramp.
- NEVER** attempt to climb a grade of more than 20 degrees.
- NEVER** park machine near a dock or on ramps.

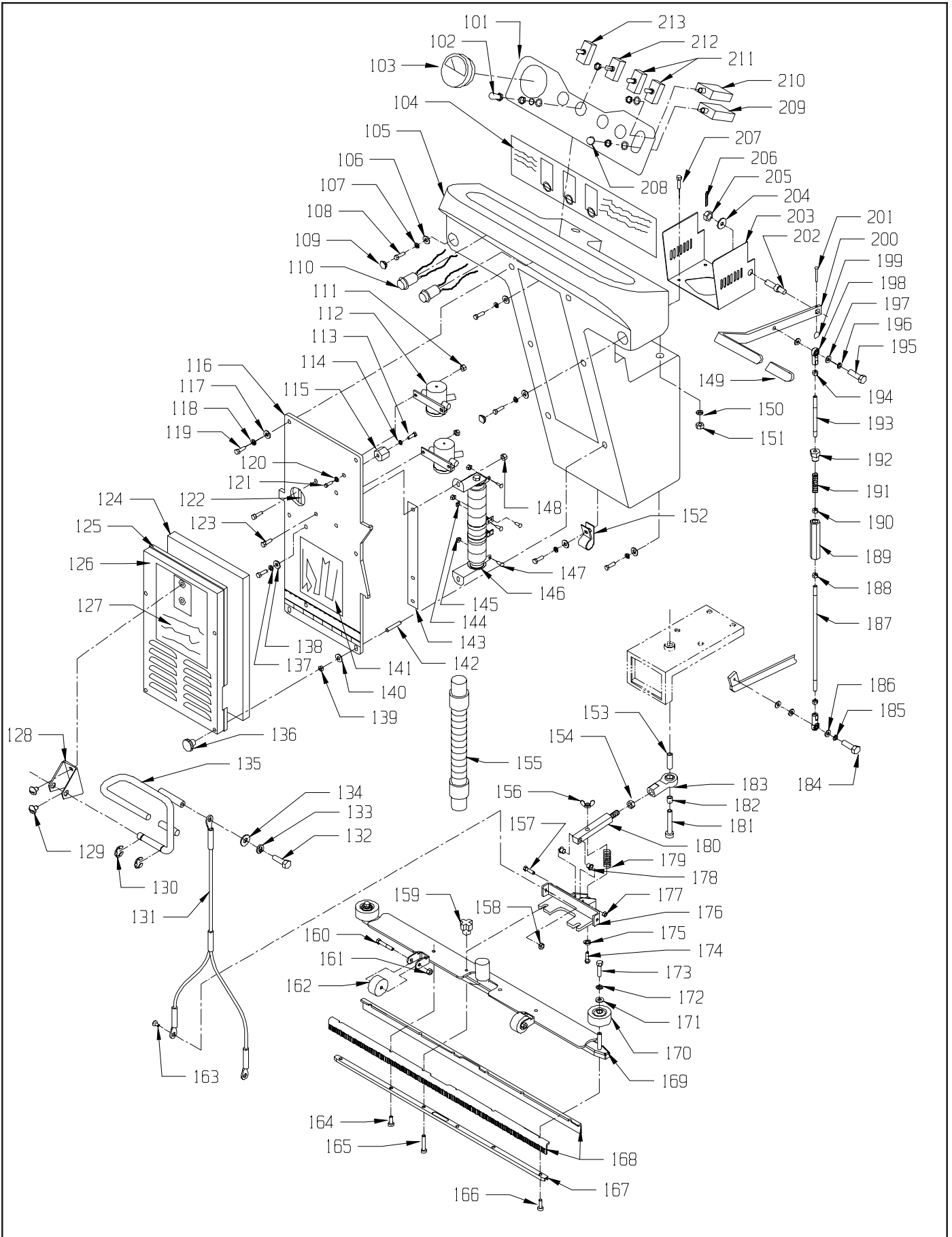
ALL repair service must be performed by an NSS authorized distributor/service station. Use only NSS original equipment parts.

SAVE THESE INSTRUCTIONS



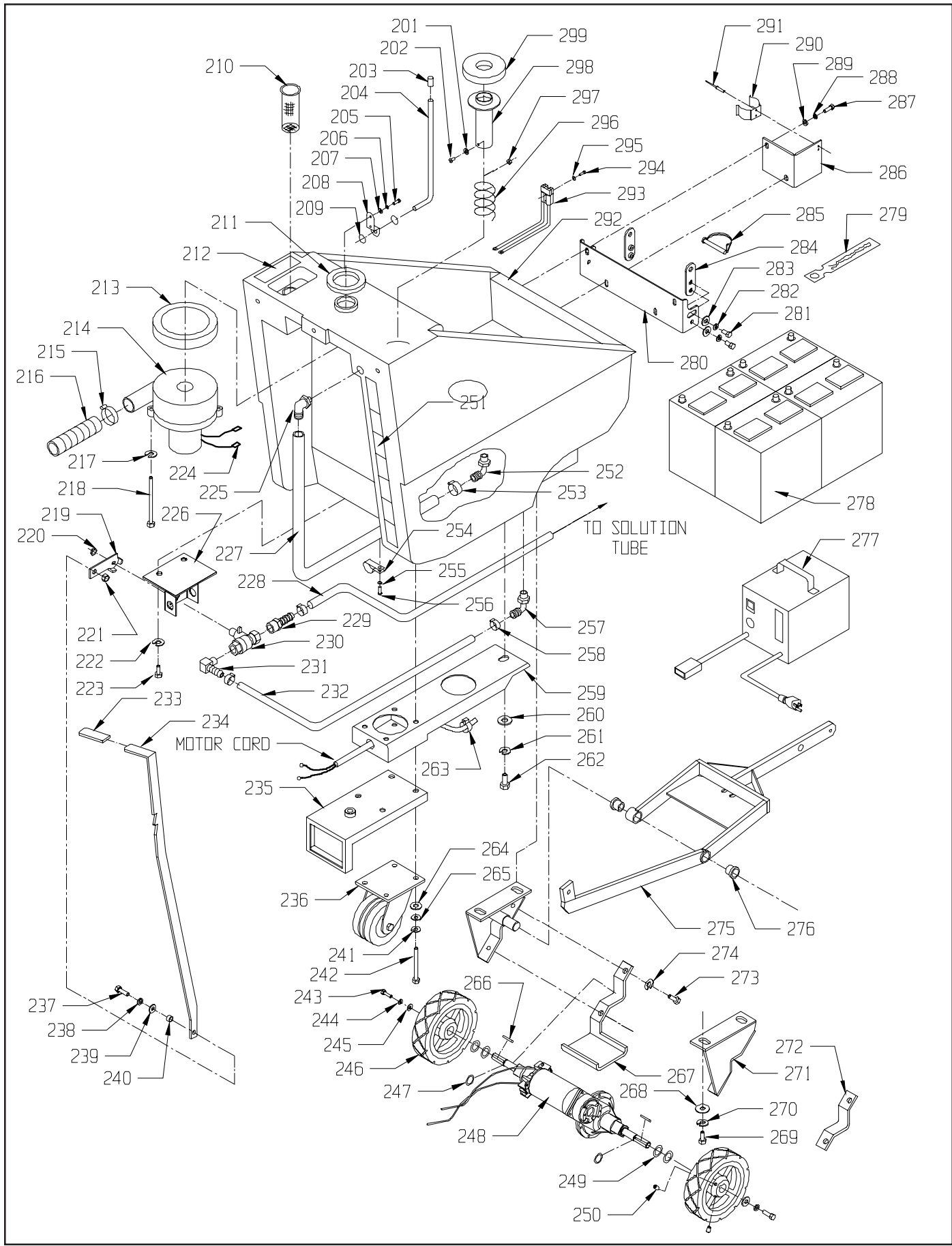
CONTROL PANEL/SQUEEGEE ASSEMBLY

ITEM	PART #.	DESCRIPTION	QTY	ITEM	PART #	DESCRIPTION	QTY
101	-----	LABEL, CONTROL WR20 W/D	1	158	9120900	1/4-20 ESNA NUT	2
102	0693141	RUBBER SWITCH BOOT	4	159	3392971	SQUEEGEE KNOB, MACHINED	2
103	2391391	BATTERY METER -24V	1	162	3096741	WHEEL,BUMPER-SMALL GRAY	1
104	2395831	WIRE DIAGRAM -BATTERY	1	163	9121010	1/4-20 x 3/4 TRUSS HD PHIL SCREW	2
105	2395521	CONTROL PANEL WR 20/24 WD	1	164	9121880	5/16-18 x 3/4 SOCKET HD CAP SCREW	2
106	9120390	5/16 SAE FLAT WASHER	5	165	9121920	5/16-18 x 1 1/2 SOCKET HD CAP SCREW	2
107	9121410	5/16 EXTERNAL STAR LOCK WASHER 5	5	166	9121880	5/16-18 x 3/4 SOCKET HD CAP SCREW	2
108	9121640	5/16-18x3/4 HEX HD BOLT	5	167	2692533	INNER CHANNEL SQ. NARROW MOUNT	1
109	0690761	PLUG BUTTON	2	168	2791061	32"REPL. SQ.BLADES, SET OF 2	1
110	2395221	DEADMAN SWITCH	2	169	2692523	HOUSING, NARROW MOUNT SQUEEGEE	1
111	9120910	1/4-20 KEPS NUT	5		2692539	SQUEEGEE ASSM NARROW MOUNT	1
112	2391351	SOLENOID, 24V	2	170	2790281	3" BUMPER WHEEL	2
113	9121170	1/4-20x1/2 HEX HD BOLT	1	171	9120390	5/16 SAE FLAT WASHER	2
114	9120970	1/4 EXTERNAL STAR LOCK WASHER	1	172	9121410	5/16 EXTERNAL STAR LOCK WASHER	2
115	4490561	INSULATED STANDOFF	1	173	9121560	5/16-18x1/2 HEX HD BOLT	2
116	-----	COVER PANEL	1	174	9122130	5/16-18x2 1/4 HEX HD BOLT	1
117	9120370	10 FLAT WASHER	2	175	9121520	5/16 SPLIT LOCK WASHER	1
118	9120320	10 SPLIT LOCK WASHER	2	176	1390171	SQUEEGEE BRACKET	1
119	9120720	10-32 x 3/8 ROUND HD PHIL	2	177	9122140	3/8-16 ESNA NUT	1
120	9120970	1/4 EXTERNAL STAR LOCK WASHER	1	178	1391171	BUSHING, SQUEEGEE SHAFT	2
121	9121160	1/4-20 x 3/8 HEX HD BOLT	1	179	3695581	SPRING	1
122	9997560	VELCRO LOOPS	.8'	180	1390156	SQUEEGEE PIVOT ROD	1
123	9121160	1/4-20 x 3/8 HEX HD BOLT	6	181	9122660	1/2-13 x 3 HEX HD BOLT	1
124	2391531	FILTER - WRANGLER 20/24	1	182	1090981	SPACER	1
125	-----	C-14 BAG RING GASKET	1	183	2391941	BALL JOINT -WRANGLER 20	1
126	-----	COVER BOX	1	184	9122300	3/8-16 x 1 1/4 HEX HD BOLT	1
127	-----	LABEL, BRUSH - WR 20 /24	1	185	9122100	3/8 SPLIT LOCK WASHER	1
128	-----	SQUEEGEE LIFT BRACKET	1	186	9121980	3/8 FLAT WASHER	3
129	9120990	1/4-20x3/8 TRUSS HD PHIL SCREW	2	187	-----	LOCK DOWN LIFT ROD WR 20/24	1
130	1390941	5/16 E RING	2	188	2691831	RETAINER SPRING HOUSING	1
131	2495301	SQUEEGEE LIFT CABLE - 25"	1	189	2691841	SPRING, BRUSH PRESSURE	1
132	9120990	10-24 x 3/8 TRUSS HD SCREW	1	190	9122140	3/8-16 ESNA LOCK NUT	1
133	9120320	10 SPLIT LOCK WASHER	1	191	2691821	SPRING HOUSING, BRUSH LIFT	1
134	9120370	10 FLAT WASHER	1	192	9122000	3/8-16 HEX NUT	1
135	2395921	HANDLE, SQUEEGEE LIFT	1	193	-----	LOCK DOWN LIFT ROD	1
136	2391371	KNURLED KNOB - WRANGLER 20	4	194	9121990	3/8-24 JAM NUT	2
137	9120880	1/4 SPLIT LOCK WASHER	2	195	9122260	3/8-16x1 HEX HD BOLT	1
138	9120930	1/4 FLAT WASHER	2	196	9122100	3/8 SPLIT LOCK WASHER	1
139	9120690	10-32 KEPS NUT	4	197	9121980	3/8 FLAT WASHER	2
140	9120370	10 FLAT WASHER	4	198	4490531	3/8" ROD END	2
141	-----	WIRING DIAGRAM DECAL	1	199	2392561	CIRCLE COTTER - #CC-7	1
142	9120655	10-32 x 1-3/4 SET SCREW	4	200	2691373	BRUSH LIFT HANDLE	1
143	2395773	RESISTOR BRACKET	1	201	2391951	PIN - WRANGLER 20	1
144	-----	10-24 SQUARE NUT	1	202	2490661	PIVOT STUD	1
145	9120360	10-24 KEPS NUT	3	203	-----	BRACKET, MOUNT LIFT ARM	1
146	2695121	RESISTOR	1	204	9122450	1/2 SAE WASHER	1
147	9120410	10-24 x 1/2 ROUND HD PHIL SCREW	4	205	9122675	1/2-13 HEX SLOTTED NUT	1
148	9120920	1/4-20 HEX NUT	2	206	9120312	HUMPED COTTER PIN	1
149	2690981	LIFT HANDLE GRIP	1	207	9121250	1/4-20 x 3/4 HEX HD BOLT	4
150	9120930	1/4 SAE FLAT WASHER	4	208	4892471	CIRCUIT BREAKER BUTTON SEAL	2
151	9120910	1/4-20 KEPS NUT	4	209	2392201	CIRCUIT BREAKER,10 AMP	1
152	4890851	HOSE CLAMP	1	210	2391361	CIRCUIT BREAKER, 25 AMP	1
153	2490591	SPACER	1	211	3390411	FWD-REV SWITCHES	2
154	9122670	1/2-20 JAM NUT	1	212	2792041	VAC MOTOR SWITCH	1
155	2690591	SQUEEGEE VAC HOSE W/CUFFS	1	213	4491101	TOGGLE SWITCH	1
156	9121440	5/16-18 WING NUT	1	214	1390171	SQUEEGEE BRACKET	1
157	9122340	3/8-16x2 HEX HD BOLT	1				



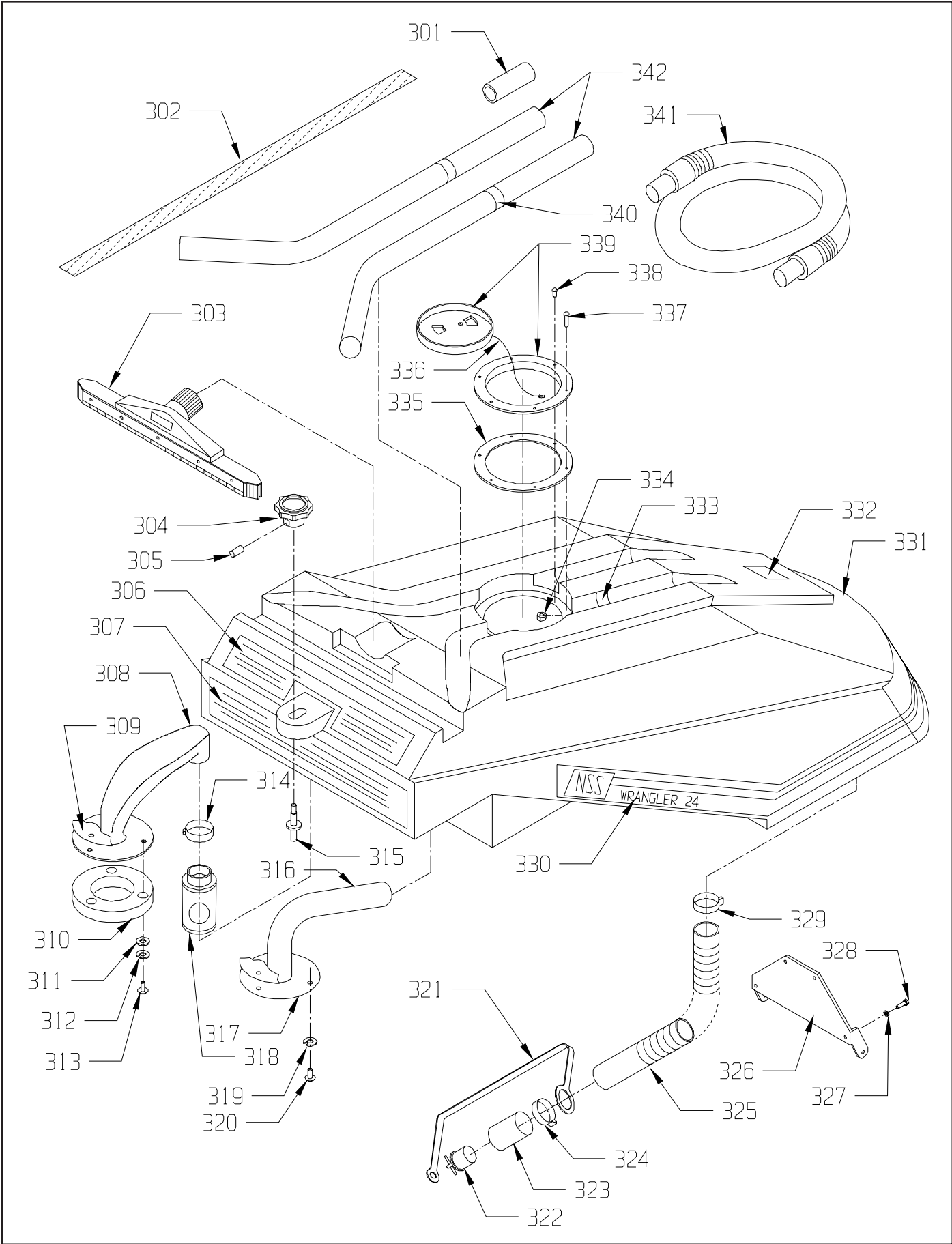
SOLUTION TANK/CHASSIS TRANSAXLE ASSEMBLY

ITEM	PART #.	DESCRIPTION	QTY	ITEM	PART #	DESCRIPTION	QTY
201	9120320	10 SPLIT LOCK WASHER	1	256	9121640	5/16-18 x 3/4 HEX HD BOLT	1
202	9120380	10-24 x 3/8 ROUND HD PHIL SCREW	1	257	2495151	ELL FITTING 1/2 BARB x 1/4 MNPT	1
203	5092531	SOLUTION FEED TUBE CAP	1	258	2795841	HOSE CLAMP 9/16 - 1 1/16	3
204	2391636	HOOD ROD - WRANGLER 20/24	1	259	-----	CHANNEL - DRIVE CASTER	1
205	9121170	1/4-20 x 1/2 HEX HD BOLT	2	260	9122450	1/2 FLAT WASHER	1
206	9120880	1/4 SPLIT LOCK WASHER	2	261	9122420	1/2 SPLIT LOCK WASHER	1
207	9120930	1/4 FLAT WASHER	2	262	9122500	1/2-13 x 7/8 HEX HD BOLT	1
208	2391646	ROD BRACKET	1	263	5092291	CORD CLAMP	1
209	2392561	CIRCLE COTTER - #CC-7	2	264	9122180	3/8 WROUGHT WASHER	4
210	2791899	TANK SCREEN BAG	1	265	9121980	3/8 FLAT WASHER	4
211	0294341	TOP MOTOR SEAL - NEOPRENE	1	266	9120825	KEY, MAIN AXLE SPROCKET	2
212	-----	CLEAN WATER DECAL	1	267	2395243	CLAMP, AXLE W/BRUSH CAP GUARD	1
213	0294331	MOTOR SEAL GASKET	1	268	9122450	1/2 FLAT WASHER	4
214	2395571	VACUUM MOTOR 24V 3 STAGE	1	269	9122500	1/2-13x7/8 HEX HD BOLT	4
214	2392571	REPLACEMENT CARBON BRUSHES	2	270	9122420	1/2 SPLIT LOCK WASHER	4
215	4495441	HOSE CLAMP 1.875"-2.125" RANGE	1	271	-----	RIGHT AXLE SUPPORT BRACKET	1
216	2395651	VAC MOTOR EXHAUST HOSE	1	-----	-----	LEFT AXLE SUPPORT BRACKET	1
217	9120880	1/4 SPLIT LOCK WASHER	3	272	2395353	AXLE CLAMP	2
218	9121360	1/4-20x4 HEX HD BOLT	3	273	9121250	1/4-20 x 3/4 HEX HD BOLT	4
219	2395471	VALVE LEVER (SHORT)	1	274	9120880	1/4 SPLIT LOCK WASHER	4
220	9121530	5/16-24 HEX NUT	1	275	-----	LIFT FORK WR 24	1
221	9120890	1/4-20 THIN ESNA HEX NUT	1	276	2791371	FLANGE BEARING FF-838-3	2
222	9121520	5/16 SPLIT LOCK WASHER	2	277	2396071	BATTERY CHARGER (115V)	1
223	9121640	5/16-18 x 3/4 HEX HD BOLT	2	2391991	2391991	BATTERY CHARGER (240V)	1
224	5490171	1/4 MALE SPADE FULLY INSULATED	2	2392011	2392011	BATTERY CHARGER (120V)	1
225	2391771	90 DEGREE HOSE BARB	1	2392511	2392511	BATTERY CHARGER (100V-JAPAN)	1
226	-----	SOLUTION VALVE BRACKET	1	-----	-----	BATTERY CHARGER (100V-250V)	1
227	2395997	VINYL HOSE, 3/4"ID x 33" LGTH	1	278	3390361	BATTERY (6V, 220A.H.)	4
228	2495317	VINYL HOSE, 1/2" ID x 34" LGTH	1	3390951	3390951	BATTERY (6V, 220A.H. DRY)	4
229	2495161	FITTING 1/2 HOUSE BARB x 1/4 MNPT	1	279	2392761	WARNING TAG - BATTERY TERMINAL	1
230	1391531	W-17 SOLUTION VALVE	1	280	-----	HINGE BRACKET - LOWER	1
231	2495151	ELL FITTING 1/2 HOUSE BARB x 1/4 MNPT	1	280	2391689	LOWER HINGE ASSEMBLY	1
232	2495327	VINYL HOSE 1/2"ID x 14" LGTH	1	281	9121210	1/4-20x5/8 HEX HD BOLT	4
233	2391181	VALVE LEVER GRIP	1	282	9120880	1/4 SPLIT LOCK WASHER	4
234	2690283	VALVE LEVER	1	283	9120930	1/4 SAE FLAT WASHER	4
235	-----	SQUEEGEE MOUNT & STOP BRACKET	1	284	2395933	ADJUSTMENT PLATE - HINGE BRACKET	2
236	6492061	SWIVEL CASTER, PLATFORM, 4" WHEEL	1	285	9121950	HINGE PIN - WRANGLER 20	2
	4490391	CASTER WHEEL ONLY W BEARING	1	286	-----	HOSE CLIP BRACKET	1
237	9121250	1/4-20x3/4 HEX HD BOLT	1	287	9121250	1/4-20 x 3/4 HEX HD BOLT	4
238	9120880	1/4 SPLIT LOCK WASHER	1	288	9120880	1/4 SPLIT LOCK WASHER	4
239	9120930	1/4 FLAT WASHER	1	289	9120930	1/4 SAE FLAT WASHER	4
240	2791281	SPACER	1	290	2392131	SPRING CLIP, HOSE	1
241	9122100	3/8 SPLIT LOCK WASHER	4	291	2391751	POP RIVET 1/8" X 5/8"	2
242	9122350	3/8-16 x 3 HEX HD BOLT	4	292	2391011	SOLUTION TANK -WRANGLER 20/24	1
243	9122260	3/8-16 x 1 HEX HD BOLT	2	293	2392001	CHARGER PLUG, RED 24V W/WIRES	1
244	9122100	3/8 SPLIT LOCK WASHER	2	294	9120080	6-32 x 3/4 ROUND HD PHIL	2
245	9122450	1/2 FLAT WASHER	2	295	9120130	6 EXTERNAL STAR LOCK WASHER	2
246	2395501	WHEEL, DRIVE 8x2	2	296	2391581	SPRING TUBE ADAPTOR	1
247	5293151	RETAINING RING	2	297	9120350	10-24 HEX NUT	1
248	2395481	TRANSAXLE, 20"	1	298	2690851	TUBE ADAPTER	1
	-----	CARBON BRUSH - TRANSAXLE	2	299	2391591	GASKET TUBE ADAPTER	1
	-----	CARBON BRUSH CAP - TRANSAXLE	2				
	-----	TOP MOTOR BRACKET - TRANSAXLE	1				
249	9123105	1-1/4" x .770" x .082" WASHER	4				
250	9121380	5/16-18 x 3/8 KNURLED SET SCREW	4				
251	-----	SOLUTION LABEL, WRANGLER 20/24	1				
252	2391771	90 DEGREE HOSE BARB	1				
253	2392141	HOSE CLAMP STEEL .953-1.093	1				
254	2395761	CLAMP, TUBE	1				
255	9121520	5/16 SPLIT LOCK WASHER	1				



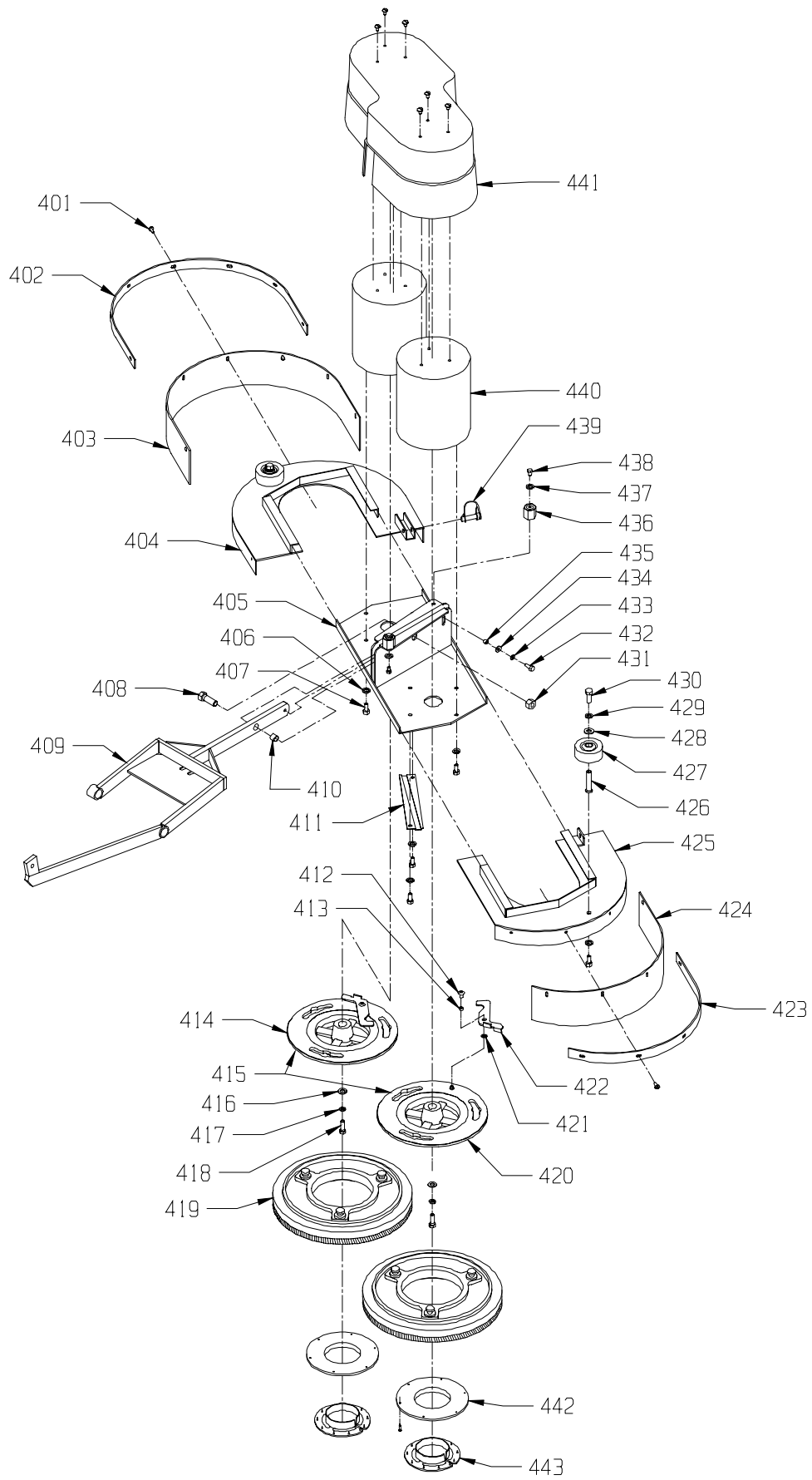
RECOVERY TANK ASSEMBLY

<u>ITEM</u>	<u>PART NO.</u>	<u>DESCRIPTION</u>	<u>QTY</u>
301	2291211	5 IN ALUMINUM CONNECTOR	1
302	2391241	HOSE STRAP - WRANGLER 20/24	1
303	5797011	17" SQUEEGEE	1
304	4490521	LOAD ADJUST KNOB	1
305	-----	10-32 x 1/2 SET SCREW	1
306	-----	WARNING/OPERATE LABEL, WRANGLER 20/24	1
307	-----	TANK DRAIN LABEL	1
308	2395451	VACUUM TUBE	1
309	2391611	INLET TUBE GASKET - W20/24	1
310	2391601	VACUUM TUBE GASKET- W20/24	1
311	9120930	1/4 FLAT WASHER	3
312	9120970	1/4 EXTERNAL STAR WASHER	3
313	9121000	1/4-20 x 5/8 TRUSS HD SCREW	3
314	4894081	HOSE CLAMP 1.593"-1.812" RANGE	1
315	2391621	STUD, HOOD KNOB	1
316	2391561	INLET TUBE	1
317	2391611	INLET TUBE GASKET - W20/24	1
318	2391541	FLOAT SCREEN ASSM - W20/24	1
319	9120970	1/4 EXTERNAL STAR WASHER	3
320	9121000	1/4-20 x 5/8 TRUSS HD SCREW	3
321	2791881	PLUG STRAP	1
322	2795621	DRAIN PLUG	1
323	2391661	HOSE TUBE	1
324	2393451	TUBE HOSE CLAMP, CRIMP-ON TYPE	1
325	2391671	DRAIN HOSE, CRUSH PROOF - WRANGLER 20/24	1
326	-----	UPPER HINGE - WRANGLER 20/24	1
327	9120880	1/4 SPLIT LOCK WASHER	4
328	9121210	1/4-20 x 5/8 HEX HD BOLT	4
329	4495441	HOSE CLAMP, 1 9/16-2 1/2 DIA	1
330	-----	SIDE LABEL - LEFT, WRANGLER 24	1
	-----	SIDE LABEL - RIGHT, WRANGLER 24	1
331	2395441	RECOVERY TANK - WR 20/24	1
332	2694421	BATTERY COVER LABEL - NSS/HORSE	1
333	9997550	VELCRO HOOK,P.S. - 2"	2
334	9120360	10-24 KEPS NUT	2
335	2690891	RECOVERY TANK LID GASKET	1
336	2690931	LID CHAIN RECOVERY TANK	1
337	9120450	10-24 x 1 ROUND HD PHIL SCREW	1
338	2795681	10-16 x 5/8 SHEET METAL SCREW	5
339	2690881	RECOVERY TANK LID ASSM	1
340	9997560	VELCRO LOOP, P.S. - 6"	2
341	2391231	VACUUM HOSE - WRANGLER 20/24	1
342	5790331	WAND - 2PC.	1



BRUSH MOTOR ASSEMBLY

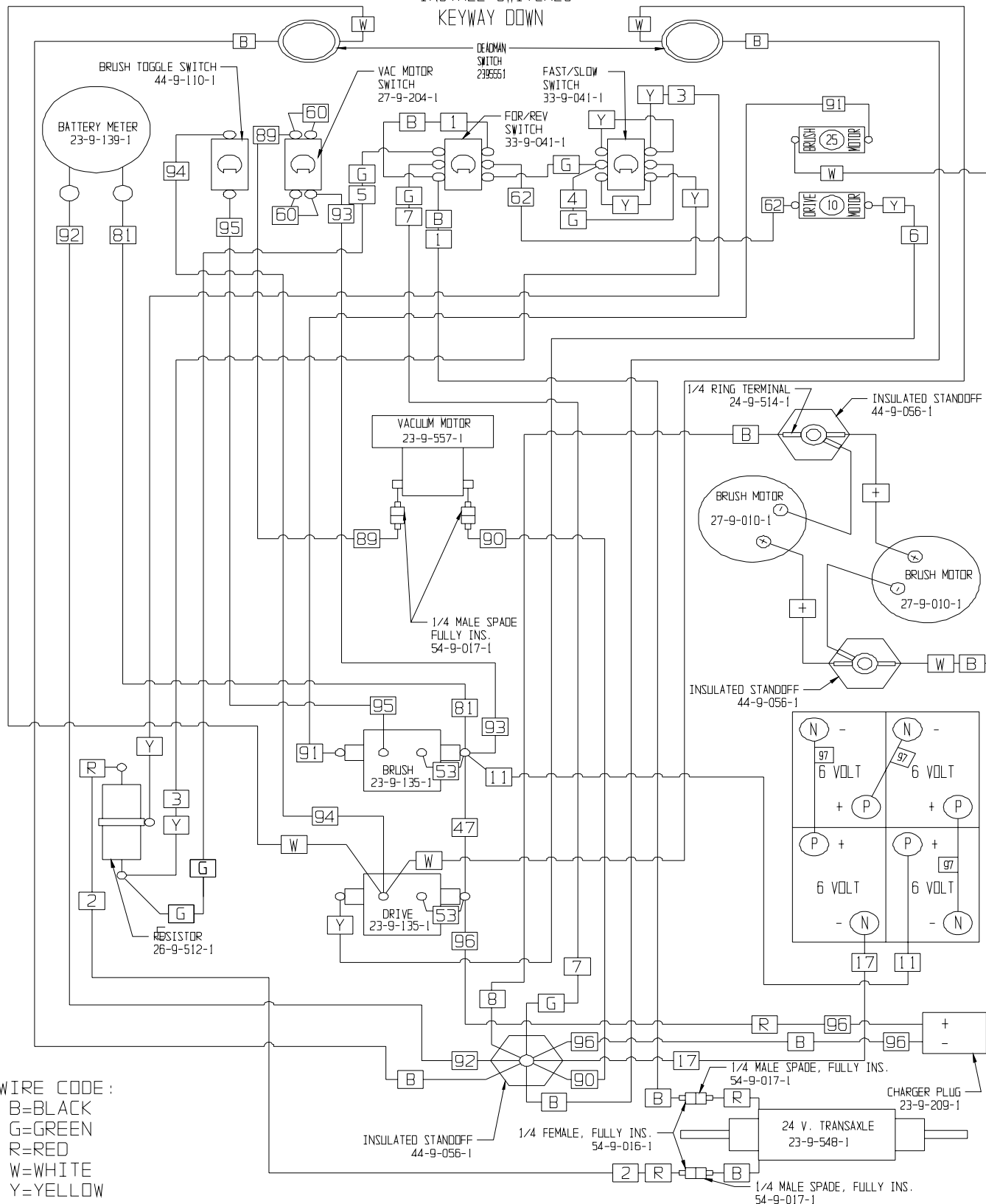
<u>ITEM</u>	<u>PART NO.</u>	<u>DESCRIPTION</u>	<u>QTY</u>
401	9120580	10-24 x 5/8 ROUND HD SCREW	12
402	————	LEFT SKIRT STRAP	1
403	————	LEFT SIDE WIPER	1
404	————	LEFT SKIRT	1
428	2392276	BUMPER WHEEL AXLE	2
429	2790281	BUMPER WHEEL 3"	2
430	9121390	5/16 SAE FLAT WASHER S.S.	2
427	————	RIGHT SKIRT ASSM	1
426	————	RIGHT SIDE WIPER	1
427	————	RIGHT SKIRT	1
	9120580	10-24 x 5/8 ROUND HD SCREW	12
423	9122120	3/8 SPRING WASHER	2
424	2790211	BRUSH PLATE LATCH	2
425	2495061	RIGHT SKIRT STRAP	1
428	2392276	BUMPER WHEEL AXLE	2
429	2790281	BUMPER WHEEL 3"	2
430	9121390	5/16 SAE FLAT WASHER S.S.	2
405	————	BRUSH MOTOR MOUNT	1
406	9120880	1/4 SPLIT LOCK WASHER	8
407	9121210	1/4-20 x 5/8 HEX HD BOLT	8
408	9122550	1/2-13 x 1 1/2 HEX HD BOLT S.S.	1
	————	LIFT FORK ASSM	1
409	————	LIFT FORK	1
	2791371	BEARING,FLANGE FF-838	3
410	2790751	BUSHING SPACER	1
411	————	WATER FEED CHANNEL	1
414	2792499	LEFT BRUSH DRIVE PLATE ASSM	1
412	9121090	1/4-20 x 1/2 TRUSS HD S.S.	2
413	2791281	BUSHING SPACER	2
415	2790202	BRUSH DRIVE PLATE	2
416	9121400	5-16 WROUGHT WASHER S.S.	2
417	9121520	5/16 SPLIT LOCK WASHER	2
418	9121680	5/16-18 x 1 HEX HD S.S.	2
419	2495191	PAD DRIVER ASSM. 12"	2
421	2795241	PAD HOLDER W/RING	2
422	2792489	RIGHT BRUSH DRIVE PLATE ASSM	1
413	2791281	BUSHING SPACER	2
417	9121520	5/16 SPLIT LOCK WASHER	2
418	9121680	5/16-18 x 1 HEX HD S.S.	2
421	2795241	PAD HOLDER W/RING	2
422	2792489	RIGHT BRUSH DRIVE PLATE ASSM	1
419	2495191	PAD DRIVER ASSM. 12"	2
420	2795231	SPLIT RING, ONLY	2
431	9121410	5/16 EXTERNAL STAR WASHER S.S.	2
432	9121560	5/16-18 X 1/2 HEX HD S.S.	4
433	9122495	1/2 THIN ESNA LOCKNUT S.S.	1
434	9121250	1/4-20 X 3/4 HEX HD	1
435	9120880	1/4 SPLIT LOCK WASHER	1
436	9120930	1/4 FLAT WASHER	1
437	2791281	BUSHING SPACER	1
438	4490561	INSULATED STANDOFF	2
439	9120880	1/4 SPLIT LOCK WASHER	2
440	9121160	1/4-20 X 3/8 HEX HD	2
441	9121950	HINGE PIN	1
442	2790101	DRIVE MOTOR 36V	2
443	————	BRUSH MOTOR COVER	1



ELECTRICAL COMPONENTS - WIRING DIAGRAM

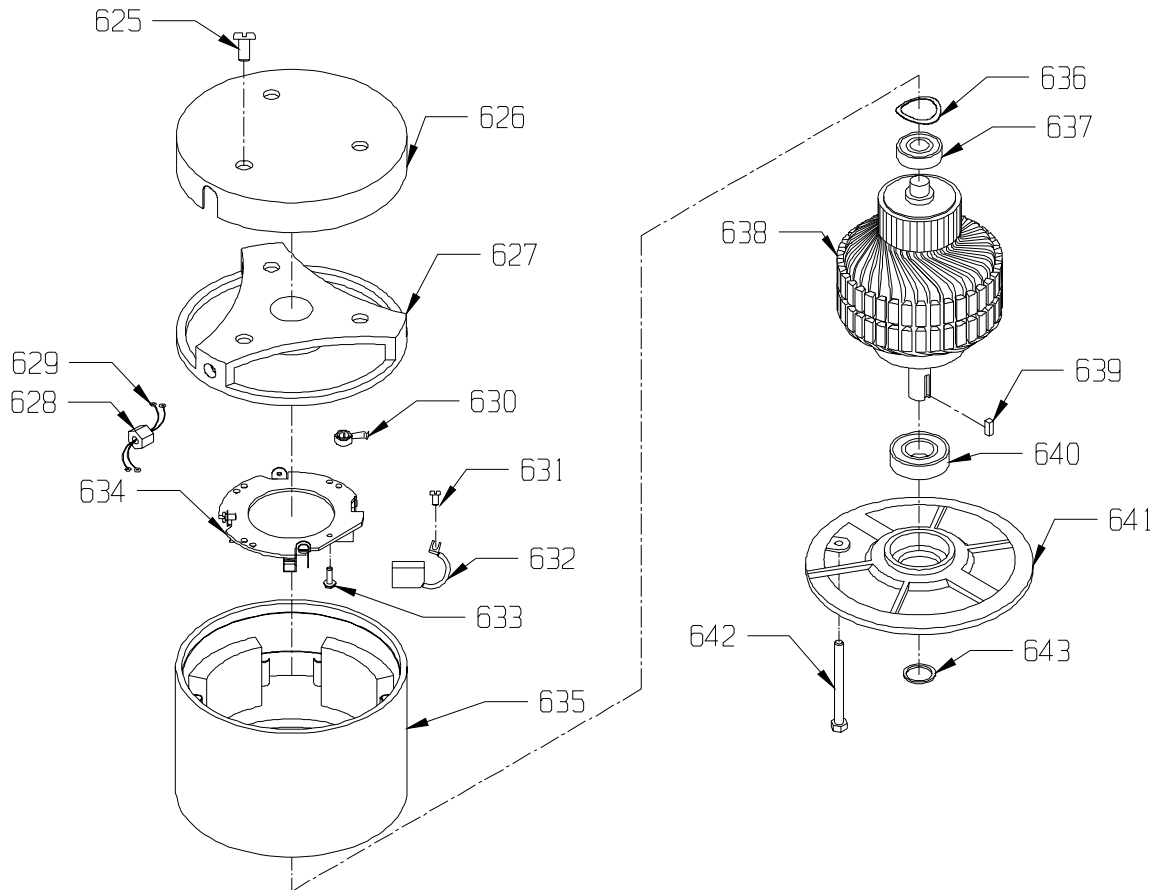
<u>ITEM</u>	<u>PART NO.</u>	<u>DESCRIPTION</u>	<u>QTY</u>
1	2395581	WIRE ASSM TRANSAXLE FOR/REV SWITCH	1
2	————	WIRE ASSM TRANSAXLE, RESISTOR	1
3	————	WIRE ASSM HIGH/LOW SWITCH, RESISTOR	2
4	————	WIRE ASSM FOR/REV, HIGH/LOW JUMPER	1
5	————	WIRE ASSM FOR/REV, RESISTOR	1
6	————	WIRE ASSM DRIVE SOLENOID, DRIVE C.B.	1
7	————	WIRE ASSM FOR/REV, STANDOFF	1
8	2393071	MOTOR CORD	1
11	2392541	POS. BATTERY CABLE	1
17	2392551	NEG. BATTERY CABLE	1
47	2792141	CABLE ASSM #6 X 6"	1
53	6496031	WIRE ASSM #14 X 6"	1
60	————	WIRE ASSM #14 X 3"	2
62	————	WIRE ASSM #14 X 6"	1
81	3390681	WIRE ASSM #18 X 17"	1
89	2392021	WIRE ASSM VAC LEAD, VAC-SWITCH	1
90	2392031	WIRE ASSM VAC LEAD, STANDOFF	1
91	————	WIRE ASSM BRUSH SOL., BREAKER	1
92	2392051	WIRE ASSM BATTERY METER, STANDOFF	1
93	2392061	WIRE ASSM BRUSH SOL., VAC SWITCH	1
94	2392071	WIRE ASSM METER, BRUSH SWITCH	1
95	2392081	WIRE ASSM BRUSH SOL., BRUSH SWITCH	1
96	2392001	CHARGER PLUG, RED 24V W/WIRES	1
97	2391981	BATTERY JUMPER 3/8 RING	3
	2391351	SOLENOID 24V SINGLE POLE	2
	2391361	CIRCUIT BREAKER 24V 25AMP	1
	2391391	BATTERY METER	1
	2392091	CHARGER PLUG ONLY, RED 24V	1
	2392201	CIRCUIT BREAKER 115V 10AMP	1
	2395481	TRANSAXLE, 20"	1
	2395221	DEADMAN BUTTON SWITCH	2
	2395571	VAC MOTOR 24V 3 STAGE	1
	————	1/4 RING TERMINAL 10-14 GA.	6
	2695121	RESISTOR	1
	2790101	DRIVE MOTOR	2
	2792041	VAC MOTOR SWITCH	1
	3390411	FORWARD / REVERSE SWITCH	2
	4490561	INSULATED STAND-OFF	3
	4491101	TOGGLE SWITCH	1
	5490161	1/4 FEMALE TERMINAL FULLY INS. 16-14 GA.	4
	5490171	1/4 MALE SPADE TERMINAL FULLY INS. 16-14 GA.	4

INSTALL SWITCHES KEYWAY DOWN



WIRE CODE:
 B=BLACK
 G=GREEN
 R=RED
 W=WHITE
 Y=YELLOW

BRUSH DRIVE MOTOR - 2790101



ITEM	PART NO.	DESCRIPTION	QTY
625	-----	1/4-20 X 3/8 PAN HEAD SCREW	3
625	-----	1/4-20 X 3/8 PAN HEAD SCREW	3
626	2797721	COVER	1
627	2797671	TOP END BELL WITH BRUSH BOARD ASSEMBLY	1
628	2797631	HEYCO STRAIN RELIEF	1
629	2797581	LEAD ASSY,1 WIRE W/TERMINAL	2
630	2797571	BRUSH SPRING	4
631	-----	10-32 X 3/8 BRASS PAN HEAD SCREW	4
632	2797691	CARBON BRUSH ASSEMBLY WITH LEAD AND TERMINAL	4
633	9120600	10-24 X 1/2 PAN HEAD PHILLIPS THREAD CUTTING SCREW	3
634	2797681	BRUSH RING ASSEMBLY-WITH SPRINGS AND BRUSHES	1
635	2797651	STATOR FRAME ASSEMBLY-WITH MAGNETS	1
636	2797591	1 13/32 X 1 7/8 2 WAVE SPRING WASHER	1
637	5092041	BEARING,TOP ROTOR	1
638	2797661	ARMATURE ASSEMBLY WITH BEARINGS	1
639	2792681	1/4"X 1/4"X 1" MOTOR KEY	1
640	2790311	BEARING,BOTTOM END	1
641	2797711	BOTTOM END BELL	1
642	2797701	1/4-20 X 5 3/4 HEX HEAD THRU BOLT	2
643	2797731	SHAFT SEAL	1



NSS ® Enterprises, Inc.

3115 Frenchmens Road, Toledo, Ohio 43607
 PHONE (419) 531-2121 FAX (419) 531-3761

NSS ® Enterprises, Inc. European Distribution Centre

Unit II, Pinfold Trading Estate * 55 Nottingham Road
 STAPLEFORD, NOTTINGHAM NG9 8AD ENGLAND U.K.

PHONE: (44) 0115 939 1568 * FAX: (44) 0115 949 0615