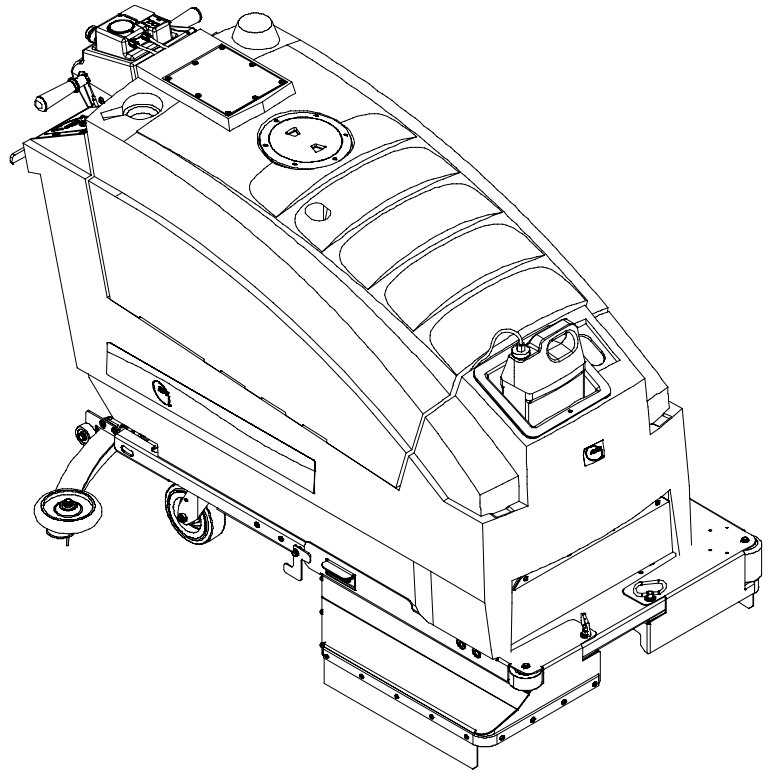
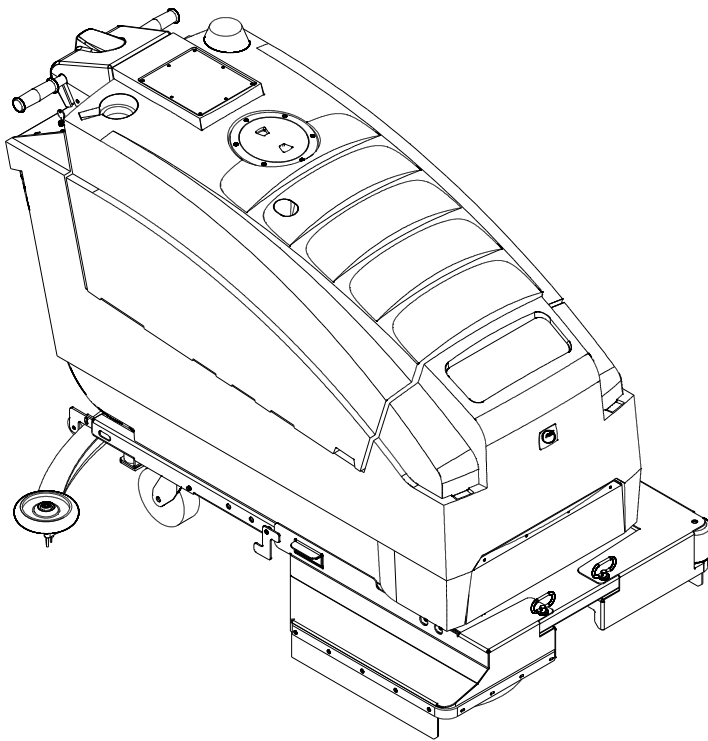


PARTS LIST
WRANGLER 2730 DB & 3330 DB



**WITH SIDEKICK
CHEMICAL
DISPENSER**



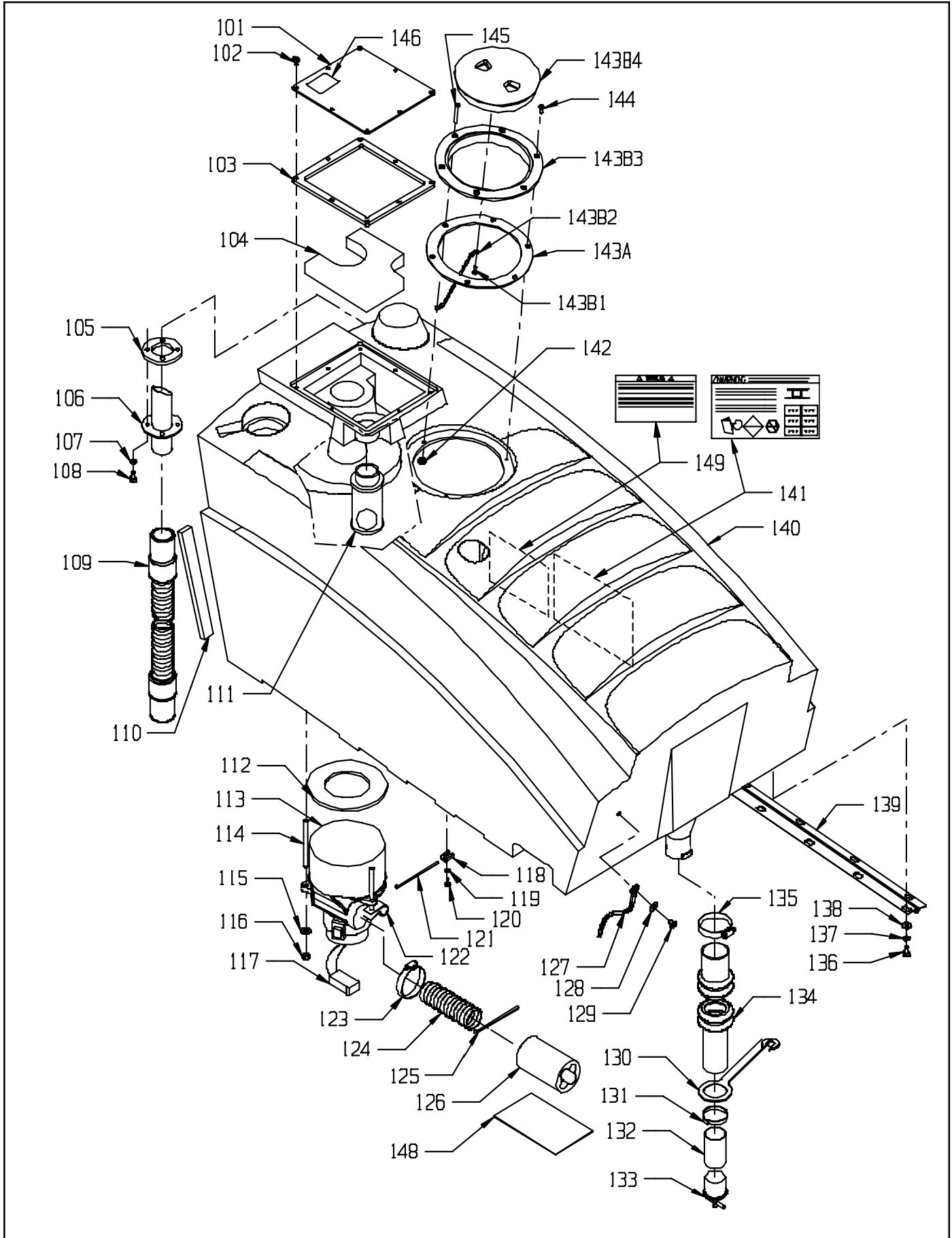
**WITHOUT SIDEKICK
CHEMICAL DISPENSER**



RECOVERY TANK ASSEMBLY

ITEM	PART NO.	DESCRIPTION	QTY
101	3392051	TOP PLATE	1
102	9120500	10-24 X 3/8 TRUSS HEAD PHILLIPS SCREW - PACK OF 10	8
103	3392061	GASKET - TOP PLATE	1
104	3392041	FILTER - VAC MOTOR INTAKE	1
105	3392081	GASKET - INLET VAC TUBE	1
106	3392071	INLET VAC TUBE	1
107	9120880	1/4 SPLIT LOCK WASHER - PACK OF 10	4
108	9121170	1/4-20 X 1/2 HEX BOLT - PACK OF 10	4
109	2690591	SQUEEGEE VAC HOSE WITH CUFFS	1
110	3393040	GASKET - .75" X 1" - CUT TO 50 INCHES	5FT
111	2391541	FLOAT SCREEN	1
112	2490561	GASKET - VAC MOTOR	1
113	3393361	VAC MOTOR WITH MALE PLUG - INCLUDES:	1
113A	2792571	CARBON BRUSH	2
114	9121363	1/4-20 X 4 1/2 LONG FULL THREADED STUD - PACK OF 2	3
115	9120930	9/32 I.D. X 5/8 O.D. X .051/.080 THICK SAE FLAT WASHER (1/4) - PACK OF 10	3
116	9120900	1/4-20 HEX NUT WITH NY-LOK INSERT - PACK OF 10	3
117	3393469	MALE PLUG CONNECTOR KIT (VAC MOTOR) INCLUDES:	1
117A	3393371	MALE PLUG CONNECTOR	1
117B	3393381	MALE TERMINAL	1
117C	3393321	CABLE SEAL	2
117D	3393331	TERMINAL LOCATOR	1
118	2397671	CLIP - TIE STRAP	2
119	9120330	#10 EXTERNAL STAR LOCK WASHER - PACK OF 10	2
120	9120510	10-24 X 1/2 TRUSS HEAD PHILLIPS MACHINE SCREW - PACK OF 10	2
121	9123000	1/8 X 11" WIRE TIE - PACK OF 5	1
122	3291111	CORD CLAMP	1
123	4495441	HOSE CLAMP - 1 9/16" TO 2 1/2" DIAMETER	1
124	3392561	VAC EXHAUST HOSE	1
125	9123000	1/8 X 11" WIRE TIE - PACK OF 5	1
126	7691261	EXHAUST MUFFLER TUBE	1
127	2690961	STRAP - RECOVERY TANK	1
128	9120930	9/32 I.D. X 5/8 O.D. X .051/.080 THICK SAE FLAT WASHER (1/4) - PACK OF 10	1
129	9120990	1/4-20 X 3/8 TRUSS HEAD PHILLIPS MACHINE SCREW - PACK OF 5	1
130	2791881	PLUG STRAP	1
131	2393451	TUBE HOSE CLAMP - 1 13/16	2
132	2391661	HOSE TUBE	1
133	2795621	DRAIN PLUG	1
134	2691121	DRAIN HOSE	1
135	4495441	HOSE CLAMP - 1 9/16" TO 2 1/2" DIAMETER	1
136	9121170	1/4-20 X 1/2 HEX BOLT - PACK OF 10	13
137	9120880	1/4 SPLIT LOCK WASHER - PACK OF 10	13
138	9120940	5/16 I.D. X 3/4 O.D. X .051/.080 THICK WROUGHT WASHER (1/4) - PACK OF 10	13
139	2691071	HINGE	1
140	3392011	RECOVERY TANK	1
141	3393731	BATTERY WARNING DECAL	1
142	9120360	10-24 HEX NUT WITH STAR LOCK WASHER - PACK OF 10	1
143	2690889	RECOVERY TANK LID ASSEMBLY - INCLUDES:	1
143A	2690891	RECOVERY TANK LID GASKET	1
143B	2690881	RECOVERY TANK LID ASSEMBLY - ALSO INCLUDES:	1
143B1	9120205	#8 X 1/2 PAN HEAD PHILLIPS SHEET METAL SCREW - PACK OF 3	1
143B2	2690931	LID CHAIN	1
143B3	2690921	BLACK RING	1
143B4	2690911	LID CLEAR	1
144	9120790	10 X 5/8 PAN HEAD PHILLIPS SHEET METAL SCREW - PACK OF 10	5
145	9120460	10-24 X 1 1/4" ROUND HEAD PHILLIPS MACHINE SCREW - PACK OF 10	1
146	5392401	WARNING - FIRE DECAL	1
148	3393941	AIR SILENCER COVER	1
149	3394141	OBC WARNING DECAL	1

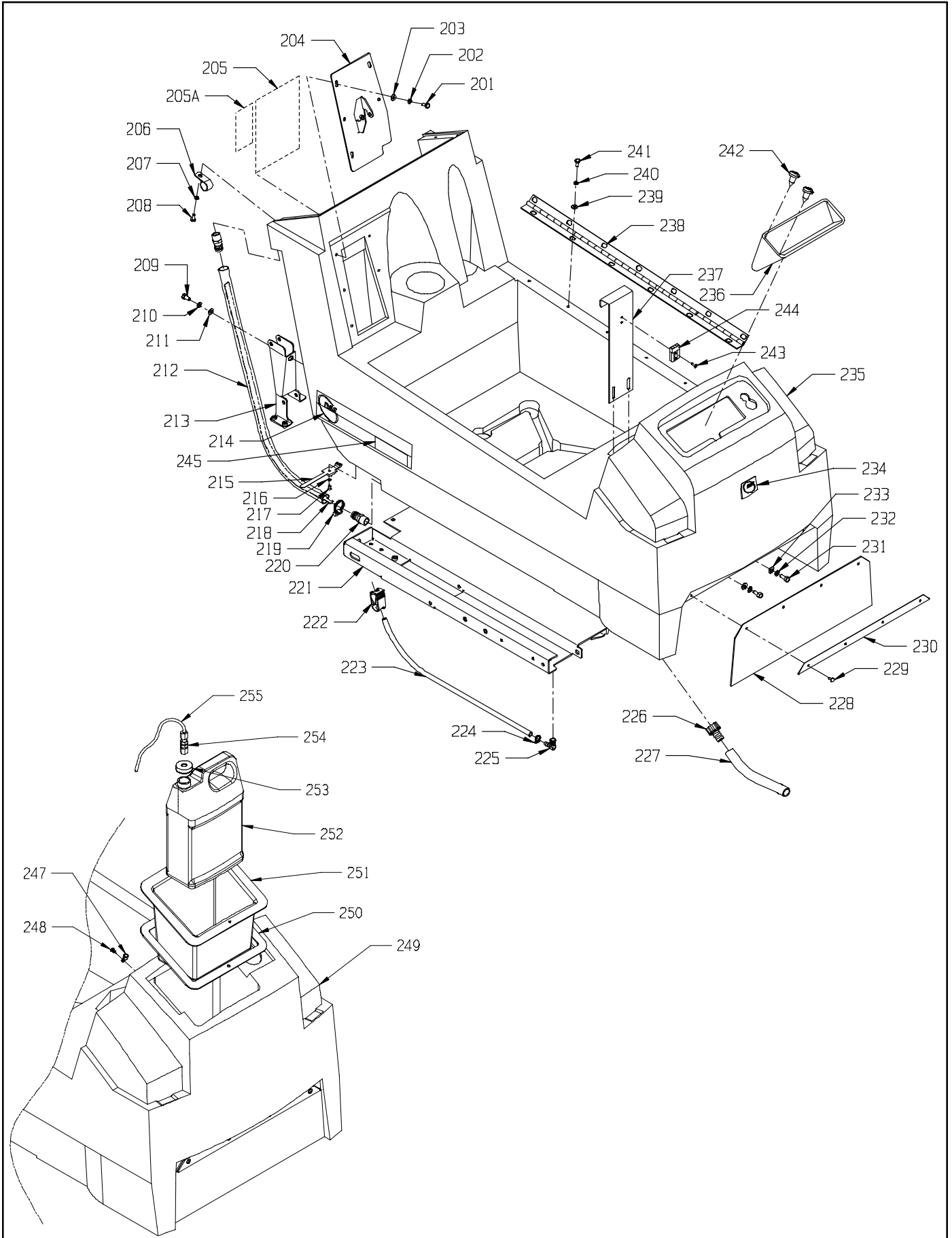
RECOVERY TANK ASSEMBLY



SOLUTION TANK ASSEMBLY

ITEM	PART NO.	DESCRIPTION	QTY.
201	9121210	1/4-20 X 5/8 HEX BOLT - PACK OF 10	5
202	9120880	1/4 SPLIT LOCK WASHER - PACK OF 10	5
203	9120930	9/32 I.D. X 5/8 O.D. X .051/.080 THICK SAE FLAT WASHER (1/4) - PACK OF 10	5
204	3392241	BRUSH LIFT HANDLE MOUNT	1
205	3394151	DECAL - WIRING DIAGRAM - IDRIVE-DP	1
205A	3394501	DECAL - WIRING DIAGRAM - SIDEKICK (OPTIONAL)	1
206	2395761	CLAMP - TUBE	1
207	9120880	1/4 SPLIT LOCK WASHER - PACK OF 10	1
208	9121170	1/4-20 X 1/2 HEX BOLT - PACK OF 10	1
209	9121600	5/16-18 X 5/8 HEX BOLT - PACK OF 5	1
210	9121520	5/16 SPLIT LOCK WASHER - PACK OF 10	1
211	9121390	11/32 I.D. X 11/16 O.D. X .051/.080 THICK SAE FLAT WASHER (5/16) - PACK OF 10	1
212	8791030	VINYL HOSE - 3/4" I.D. X 1" O.D. X 30" LONG	1
213	3392251	BRUSH ACTUATOR BRACKET	1
214	6493061	SIDE DECAL - 3.5 X 26	2
215	2397271	UNIVERSAL MOUNTING STRAP	1
216	9120330	#10 EXTERNAL STAR LOCK WASHER - PACK OF 10	1
217	9120540	10-24 X 1/2 FLAT HEAD PHILLIPS MACHINE SCREW - PACK OF 10	1
218	3392681	SIGHT GAUGE	1
219	2392141	HOSE CLAMP - 11/16" TO 1 1/4" DIAMETER	1
220	2691731	SOLUTION TANK DRAIN FITTING	2
221	3392301	FRAME	1
222	3390661	TUBING CONTROL VALVE	1
223	8791070	VINYL HOSE - 3/8" I.D. X 1/2" O.D. X 29" LONG	1
224	2392481	HOSE CLAMP - 7/32" TO 5/8" DIAMETER	1
225	2490601	FITTING - ELBOW 3/8 BARB X 1/4 NPT - POLY BLACK	1
226	2690251	FILTER FITTING HOSE BARB AND COLLAR	1
227	8791180	VINYL TUBING - 1/2 I.D. X 3/4 O.D. X 8.5" LONG	1
228	3392631	FRONT CONCEALMENT FLAP	1
229	9120510	10-24 X 1/2 TRUSS HEAD PHILLIPS MACHINE SCREW - PACK OF 10	4
230	3392641	STRAP, FRONT CONCEALMENT FLAP	1
231	9121640	5/16-18 X 3/4 HEX BOLT - PACK OF 5	2
232	9121520	5/16 SPLIT LOCK WASHER - PACK OF 10	2
233	9121390	11/32 I.D. X 11/16 O.D. X .051/.080 THICK SAE FLAT WASHER (5/16) - PACK OF 10	2
234	7690931	NSS LOGO DECAL	1
235	3392001	SOLUTION TANK	1
236	7691249	FILTER SCREEN ASSEMBLY - INCLUDES:	1
236A	7691231	FILTER SCREEN BAG FRAME	1
236B	4891311	FILTER SCREEN BAG	1
237	3393911	FRONT TANK TIE DOWN STRAP	1
238	2691071	HINGE - RECOVERY TANK	1
239	9120940	5/16 I.D. X 3/4 O.D. X .051/.080 THICK WROUGHT WASHER (1/4) - PACK OF 10	13
240	9120880	1/4 SPLIT LOCK WASHER - PACK OF 10	13
241	9121170	1/4-20 X 1/2 HEX BOLT - PACK OF 10	13
242	9120205	#8 X 1/2 PAN HEAD PHILLIPS SHEET METAL SCREW - PACK OF 3	2
243	9120270	#8-32 X 7/8 PAN HEAD MACHINE SCREW	2
244	3393931	MACHINE WIRE ASSEMBLY (INCLUDES ANDERSON CONNECTOR)	1
245	3394001	DECAL, TWISTER APPROVED	2
246	9120200	#8 SPLIT LOCK WASHER (FOR BATTERY CONNECTOR) - PACK OF 10	2
247	6793651	CLAMP - SIDEKICK ONLY	1
248	9120810	#10 X 1/2 PAN HEAD PHILLIPS SHEET METAL SCREW - PACK OF 10 - SIDEKICK	1
249	3394331	SOLUTION TANK - SIDEKICK ONLY	1
250	3394221	GASKET, BOTTLE HOLDER - SIDEKICK ONLY	1
251	3394211	INSERT, BOTTLE HOLDER - SIDEKICK ONLY	1
252	9590171	BOTTLE, F-STYLE (OPTIONAL) - SIDEKICK ONLY	1
253	9590271	CAP, BOTTLE WITH HOLE - SIDEKICK ONLY	1
254	9590281	FITTING, BULKHEAD - SIDEKICK ONLY	1
255	9590321	TUBING, 1/4" OD NYLON (121" LONG) - SIDEKICK ONLY	1

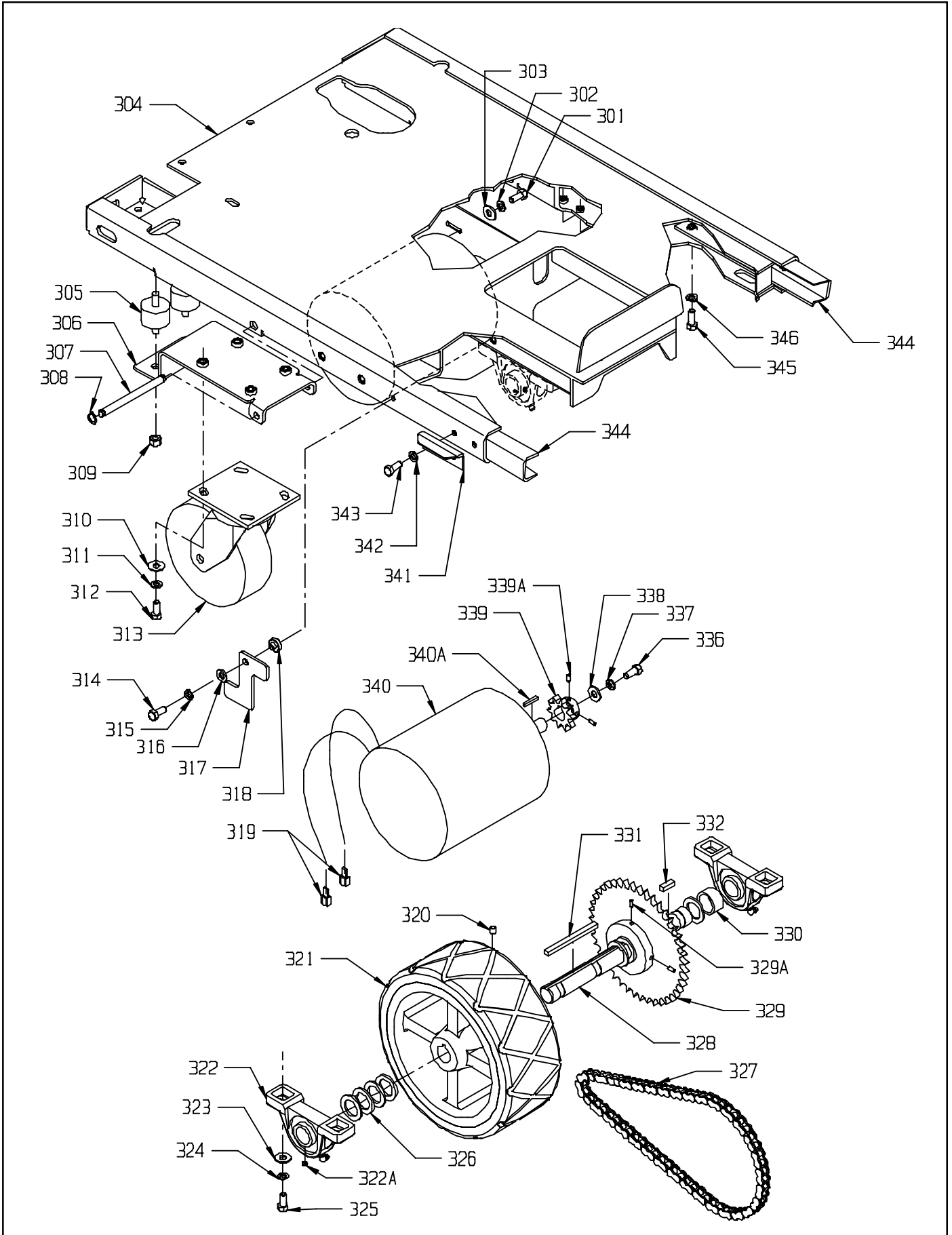
SOLUTION TANK ASSEMBLY



FRAME AND DRIVE WHEEL ASSEMBLY

ITEM	PART NO.	DESCRIPTION	QTY.
301	9121250	1/4-20 X 3/4 HEX BOLT - PACK OF 10	4
302	9120880	1/4 SPLIT LOCK WASHER - PACK OF 10	4
303	9120930	9/32 I.D. X 5/8 O.D. X .051/.080 THICK SAE FLAT WASHER (1/4) - PACK OF 10	4
304	3392301	FRAME	1
305	2691391	VIBRATION MOUNT - CASTER BRACKET	4
306	3392521	CASTER MOUNT	2
307	3392541	BUMPER WHEEL PIN - CASTER MOUNT	2
308	9122496	RETAINING RING	4
309	9122140	3/8-16 HEX NUT WITH NYLOK INSERT	4
310	9121980	7/16 I.D. X 1 O.D. X .075/.080 THICK SAE FLAT WASHER (3/8) - PACK OF 2	8
311	9122100	3/8 SPLIT LOCK WASHER - PACK OF 10	8
312	9122220	3/8-16 X 3/4 HEX BOLT - PACK OF 5	8
313	3392591	CASTER 6 X 2 - MAROON - INCLUDES	2
313A	3392601	MAROON CASTER WHEEL - ONLY	2
313B	3393771	SOFT RED CASTER WHEEL - ONLY	2
314	9121270	1/4-20 X 1 HEX BOLT - PACK OF 10	2
315	9120880	1/4 SPLIT LOCK WASHER - PACK OF 10	2
316	9120930	9/32 I.D. X 5/8 O.D. X .051/.080 THICK SAE FLAT WASHER (1/4) - PACK OF 10	2
317	2490651	SKIRT LATCH	2
318	2691771	SKIRT LATCH PIN	2
319	2690581	1/4 SPADE MALE TERMINAL 10-12 GAGE YELLOW	2
320	9121380	5/16-18 X 3/8 SET SCREW - KNURL POINT - PACK OF 2	2
321	3392031	10" DRIVE WHEEL	1
322	3393121	PILLOW BLOCK BEARING - INCLUDES:	2
322A	9120840	1/4-20 X 3/16 SET SCREW - KNURL POINT - PACK OF 5	4
323	9121980	7/16 I.D. X 1 O.D. X .075/.080 THICK SAE FLAT WASHER (3/8) - PACK OF 2	4
324	9122100	3/8 SPLIT LOCK WASHER - PACK OF 10	4
325	9122300	3/8-16 X 1 1/4 HEX BOLT - PACK OF 2	4
326	6590521	1 I.D. X 1.5 O.D. X .13 THICK FLAT WASHER - 10 GAGE	7
327	3392949	#40 ROLLER CHAIN - 63 LINKS + MASTER LINK - INCLUDES:	1
327A	3392931	#40 ROLLER CHAIN - 63 LINKS - NO MASTER LINK	1
327B	2795211	MASTER LINK #40 CHAIN, NICKEL PLATED	1
328	3392571	DRIVE AXLE	1
329	3392581	DRIVEN SPROCKET 43 TEETH - INCLUDES:	1
329A	9120850	1/4-20 X 5/16 SET SCREW - KNURL POINT - PACK OF 2	2
330	2692271	DRIVE WHEEL SPACER 1" I.D. X .6875	1
331	9121317	1/4 SQUARE X 3 3/4 LONG KEY - PACK OF 2	1
332	9121310	1/4 SQUARE X 7/8 LONG KEY - STEEL - PACK OF 2	1
336	9121640	5/16-18 X 3/4 HEX BOLT - PACK OF 5	1
337	9121520	5/16 SPLIT LOCK WASHER - PACK OF 10	1
338	9121400	3/8 I.D. X 7/8 O.D. X .064/.104 THICK WROUGHT WASHER (5/16) - PACK OF 10	1
339	2695011	DRIVE SPROCKET, MOTOR WITH SET SCREW - INCLUDES:	1
339A	9120850	1/4-20 X 5/16 SET SCREW - KNURL POINT - PACK OF 2	2
340	2790101	DRIVE MOTOR 36 VOLT - INCLUDES:	1
340A	2792681	1/4 X 1/4 X 1 MOTOR KEY	1
341	3392491	SKIRT SUPPORT	2
342	9121520	5/16 SPLIT LOCK WASHER - PACK OF 10	4
343	9121640	5/16-18 X 3/4 HEX BOLT - PACK OF 5	4
344	3394033	FRAME CHANNEL	2
345	9121600	5/16-18 X 5/8 HEX BOLT - PACK OF 5	2
346	9121520	5/16 SPLIT LOCK WASHER - PACK OF 10	2

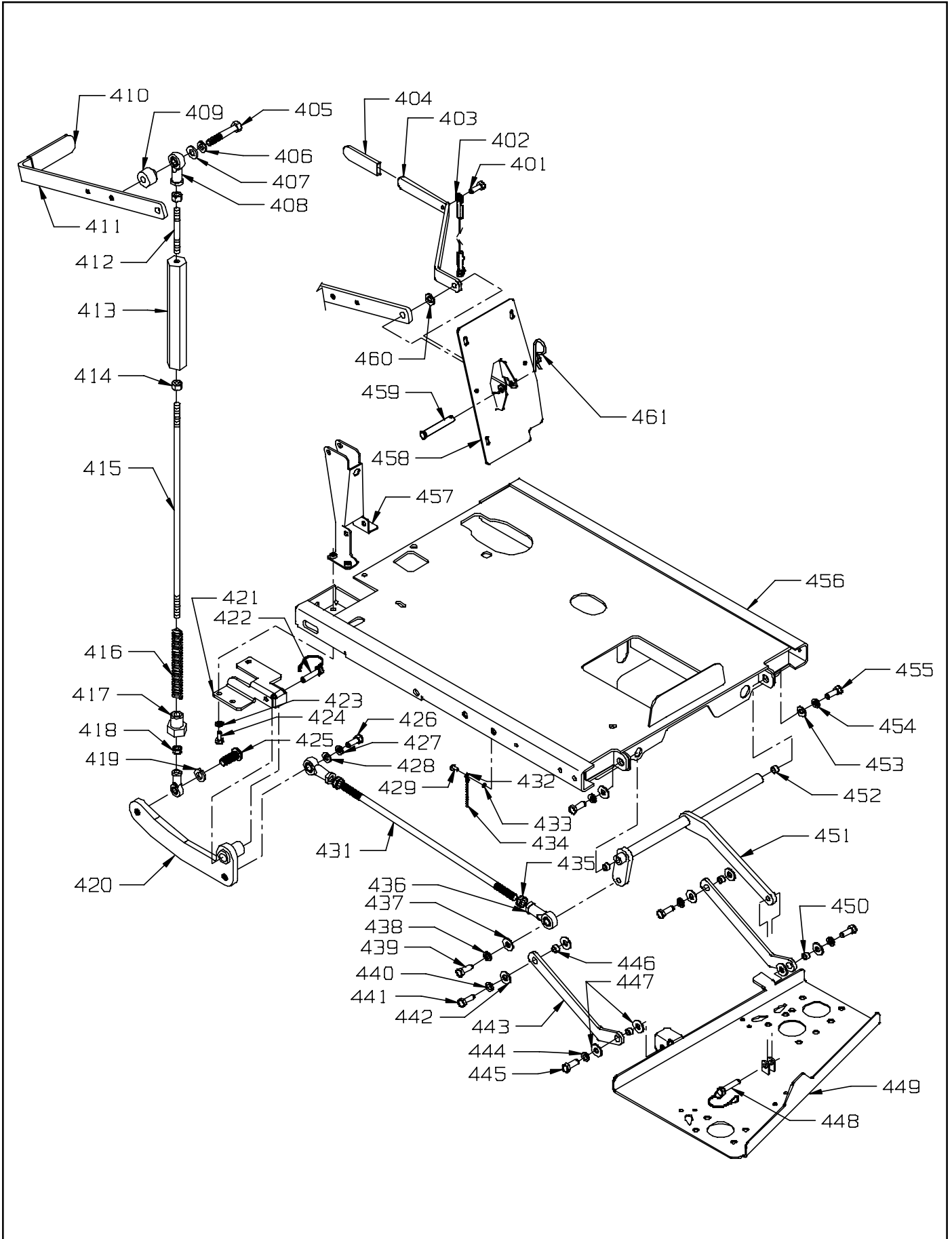
FRAME AND DRIVE WHEEL ASSEMBLY



BRUSH DECK LIFT ASSEMBLY

ITEM	PART NO.	DESCRIPTION	QTY
401	9122020	3/8 X 3/8 SOCKET HEAD SHOULDER BOLT (5/16-18) - PACK OF 1	1
402	3392141	SQUEEGEE LIFT CABLE	1
403	3392121	SQUEEGEE LIFT HANDLE	1
404	3393001	SQUEEGEE LIFT HANDLE GRIP	1
405	9122340	3/8-16 X 2 HEX BOLT - PACK OF 2	1
406	9122100	3/8 SPLIT LOCK WASHER - PACK OF 10	2
407	9121980	7/16 I.D. X 1 O.D. X .075/.080 THICK SAE FLAT WASHER (3/8) - PACK OF 2	2
408	4490531	3/8" ROD END	2
409	3393631	SPACER 3/8 SCREW 1 O.D. X .86	1
410	2690981	LIFT HANDLE GRIP	1
411	3393661	BRUSH LIFT HANDLE	1
412	3393641	LIFT ROD 2.75"	1
413	3392181	SPRING HOUSING BRUSH LIFT	1
414	9122140	3/8-16 HEX NUT WITH NYLOK INSERT - PACK OF 5	1
415	3393651	LIFT ROD 15 1/2"	1
416	3393671	SPRING 4.5"	1
417	2691831	SPRING - HOUSING RETAINER	1
418	9122010	3/8-24 HEX NUT - PACK OF 5	1
419	9122100	3/8 SPLIT LOCK WASHER - PACK OF 10	1
420	3393809	BRUSH LIFT PIVOT ARM	1
421	3394011	BRUSH LIFT PIVOT BRACKET	1
422	9121950	3/8 X 1 5/8 CLEVIS PIN - STEEL - WITH RETAINER - PACK OF 1	1
423	9121520	5/16 SPLIT LOCK WASHER - PACK OF 10	3
424	9121640	5/16-18 X 3/4 HEX BOLT - PACK OF 5	3
425	9122117	3/8-16 X 1 BUTTON HEAD CAP SCREW - PACK OF 2	2
426	9122220	3/8-16 X 3/4 HEX HEAD BOLT - PACK OF 5	1
427	9122100	3/8 SPLIT LOCK WASHER - PACK OF 10	1
428	9121980	7/16 I.D. X 1 O.D. X .075/.080 THICK SAE FLAT WASHER (3/8) - PACK OF 2	1
429	9120510	10-24 X 1/2 TRUSS HEAD PHILLIPS MACHINE SCREW - PACK OF 10	1
431	3393781	LIFT ROD	1
432	6491871	END COUPLING - ROUND BEAD CHAIN	1
433	9120330	#10 EXTERNAL STAR LOCK WASHER - PACK OF 10	1
434	6491860	ROUND BEAD CHAIN (CUT TO 3")	1
435	9122680	1/2 13 HEX JAM NUT - PACK OF 5	2
436	2391941	BALL JOINT	2
437	9122450	17/32 I.D. X 1 1/16 O.D. X .074/.121 THICK SAE FLAT WASHER (1/2) - PACK OF 5	2
438	9122420	1/2 SPLIT LOCK WASHER - PACK OF 5	2
439	9122540	1/2-13 X 1 1/4 HEX BOLT - PACK OF 1	2
440	9122100	3/8 SPLIT LOCK WASHER - PACK OF 10	2
441	9122260	3/8-16 X 1 HEX BOLT - PACK OF 2	2
442	9121980	7/16 I.D. X 1 O.D. X .075/.080 THICK SAE FLAT WASHER (3/8) - PACK OF 10	4
443	3392211	BRUSH DECK ARM	2
444	9122100	3/8 SPLIT LOCK WASHER - PACK OF 10	2
445	9122260	3/8-16 X 1 HEX BOLT - PACK OF 2	2
446	2691181	PIVOT SPACER - STABILIZER BAR	2
447	9121980	7/16 I.D. X 1 O.D. X .075/.080 THICK SAE FLAT WASHER (3/8) - PACK OF 10	4
448	9121950	3/8 X 1 5/8 CLEVIS PIN - STEEL - WITH RETAINER - PACK OF 1	1
449	3392233	BRUSH DECK	1
450	2691181	PIVOT SPACER - STABILIZER BAR	2
451	3392191	BRUSH LIFT SHAFT FRONT	1
452	2790751	BUSHING SPACER	2
453	9122450	17/32 I.D. X 1 1/16 O.D. X .074/.121 THICK SAE FLAT WASHER (1/2) - PACK OF 5	2
454	9122420	1/2 SPLIT LOCK WASHER - PACK OF 5	2
455	9122540	1/2-13 X 1 1/4 HEX BOLT - PACK OF 1	2
456	3392301	FRAME	1
457	3392251	BRUSH ACTUATOR BRACKET	1
458	3392241	BRUSH LIFT HANDLE MOUNT	1
459	3393491	3/8 X 1 1/2 CLEVIS PIN	1
460	9122470	9/16 I.D. X 1 3/8 O.D. X .086/.132 THICK WROUGHT WASHER (1/2) - PACK OF 2	1
461	7690491	#6 HAIR COTTER PIN	1

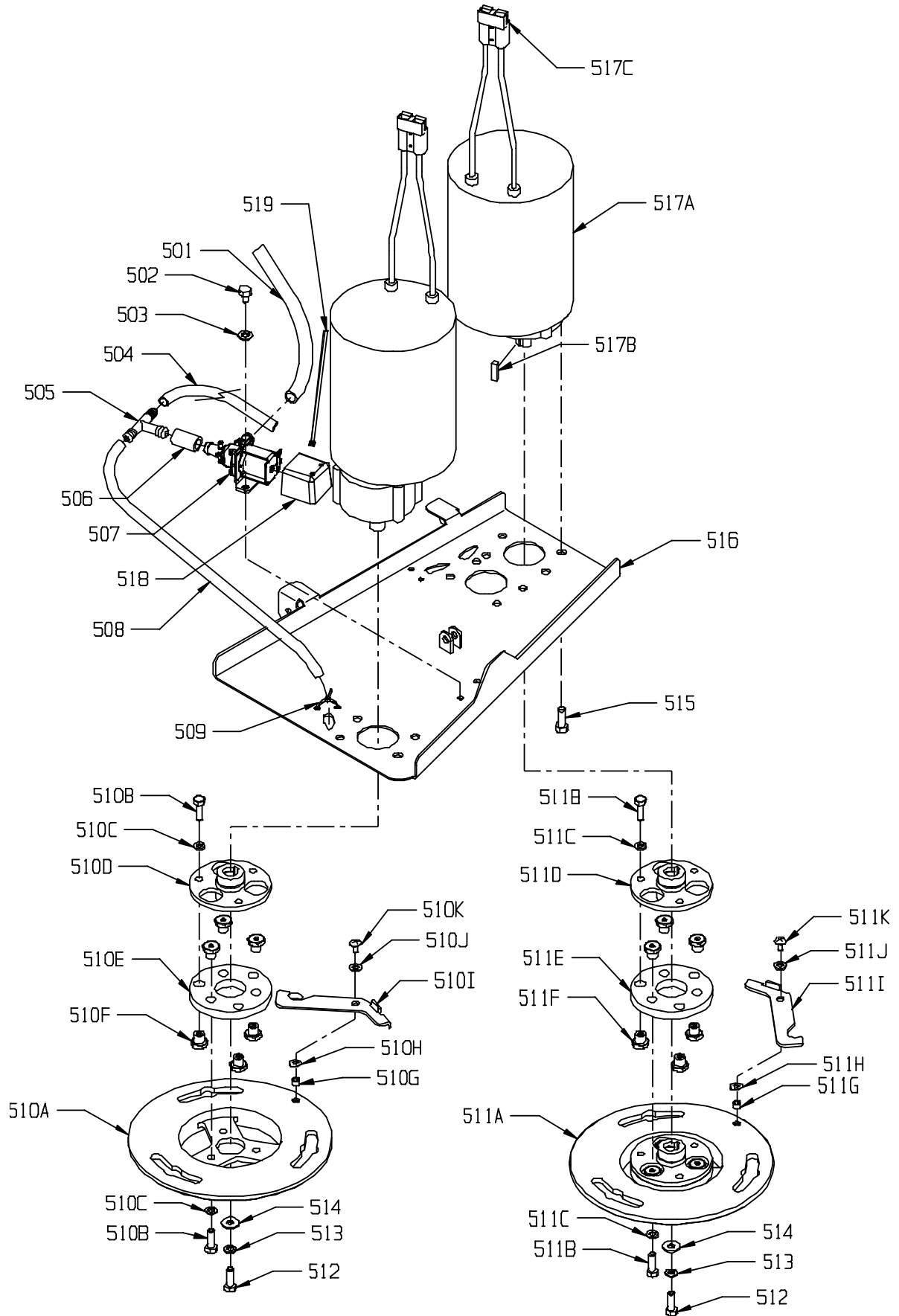
BRUSH DECK LIFT ASSEMBLY



BRUSH MOTOR ASSEMBLY

ITEM	PART NO.	DESCRIPTION	QTY.
501	8791180	1/2 X 3/4 X 28" LONG VINYL TUBING	1
502	9121170	1/4-20 X 1/2 HEX HEAD MACHINE SCREW - PACK OF 5	2
503	9120880	1/4 SPLIT LOCK WASHER - PACK OF 10	2
504	8791070	VINYL HOSE - 3/8" I.D. X 1/2" O.D. X 9.5" LONG - WRANGLER 2730	1
504	8791070	VINYL HOSE - 3/8" I.D. X 1/2" O.D. X 11" LONG - WRANGLER 3330	1
505	7691371	TEE - 3/8" X 3/8" X 1/2"	1
506	8791180	1/2 X 3/4 X 2" LONG VINYL TUBING	1
507	7690521	SOLUTION SOLENOID VALVE	1
508	8791070	3/8" I.D. X 1/2" O.D. X 7.5" LONG VINYL HOSE	1
509	9123005	1/8" X 11" WIRE TIE - PACK OF 10	2
510	2699059	RIGHT DRIVE CASTING ASSEMBLY - INCLUDES:	1
510A	2698072	DRIVE CASTING	1
510B	9121680	5/16-18 X 1 HEX BOLT - PACK OF 5	6
510C	9121520	5/16 SPLIT LOCK WASHER - PACK OF 10	6
510D	2698052	DRIVE HUB	1
510E	2698061	RUBBER MOUNT	1
510F	2698081	DRIVE LUG	6
510G	2791281	BUSHING SPACER	1
510H	9122120	3/8 I.D. X 5/8 O.D. X .031 THICK 1 WAVE SPRING WASHER (3/8) - PACK OF 5	1
510I	2790211	BRUSH PLATE LATCH	1
510J	9121390	11/32 I.D. X 11/16 O.D. X .051/.080 THICK SAE FLAT WASHER (5/16)-PACK OF 10	2
510K	9121090	1/4-20 X 1/2 TRUSS HEAD PHILLIPS MACHINE SCREW - PACK OF 5	1
511	2699069	LEFT DRIVE CASTING ASSEMBLY - INCLUDES:	1
511A	2698072	DRIVE CASTING	1
511B	9121680	5/16-18 X 1 HEX BOLT - PACK OF 5	6
511C	9120520	5/16 SPLIT LOCK WASHER - PACK OF 10	6
511D	2698052	DRIVE HUB	1
511E	2698061	RUBBER MOUNT	1
511F	2698081	DRIVE LUG	6
511G	2791281	BUSHING SPACER	1
511H	9122120	3/8 I.D. X 5/8 O.D. X .031 THICK 1 WAVE SPRING WASHER (3/8) - PACK OF 5	1
511I	2790211	BRUSH PLATE LATCH	1
511J	9121390	11/32 I.D. X 11/16 O.D. X .051/.080 THICK SAE FLAT WASHER (5/16)-PACK OF 10	2
511K	9121090	1/4-20 X 1/2 TRUSS HEAD PHILLIPS MACHINE SCREW - PACK OF 5	1
512	9121680	5/16-18 X 1 HEX BOLT - PACK OF 5	2
513	9121520	5/16 SPLIT LOCK WASHER - PACK OF 10	2
514	9121985	13/32 I.D. X 1 O.D. X .12 THICK FLAT WASHER (11 GAGE) - PACK OF 1	2
515	9122220	3/8-16 X 3/4 HEX BOLT - PACK OF 5	8
516	3392233	BRUSH DECK	1
517	2699179	BRUSH GEAR MOTOR ASSEMBLY - INCLUDES:	2
517A	3390751	BRUSH GEAR MOTOR - INCLUDES:	2
517B	2792681	1/4" X 1/4" X 1" MOTOR KEY	2
N/S	3391081	CARBON BRUSH - REPLACEMENT PART	4
517C	2690471	ANDERSON CONNECTOR - ONLY	2
N/S	4490721	CONTACT PINS - ANDERSON - 10-12 GAGE	4
518	3394071	SOLUTION VALVE GUARD	1
519	9123005	1/8 X 5 1/2 TIE WRAP - PACK OF 5	1

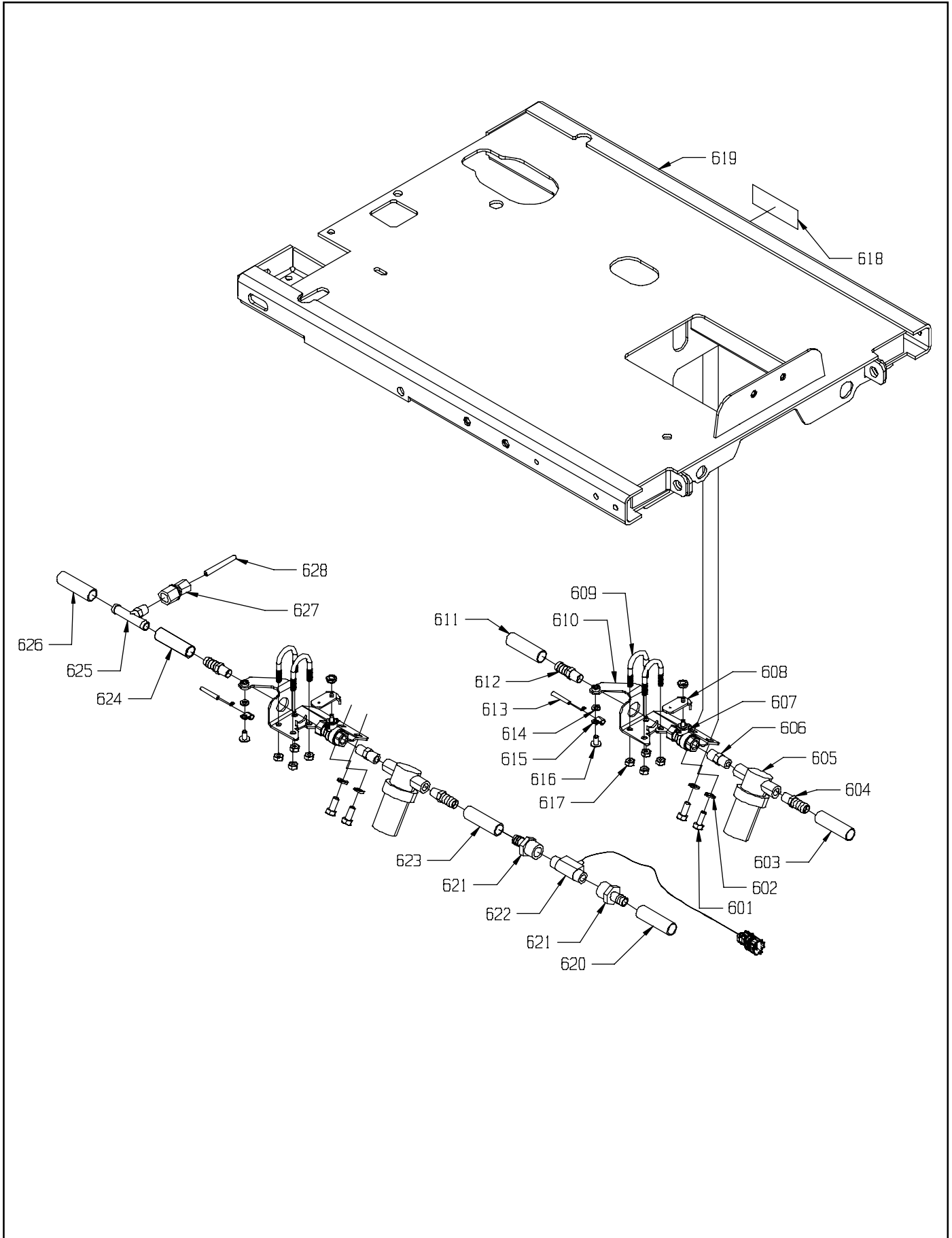
BRUSH MOTOR ASSEMBLY



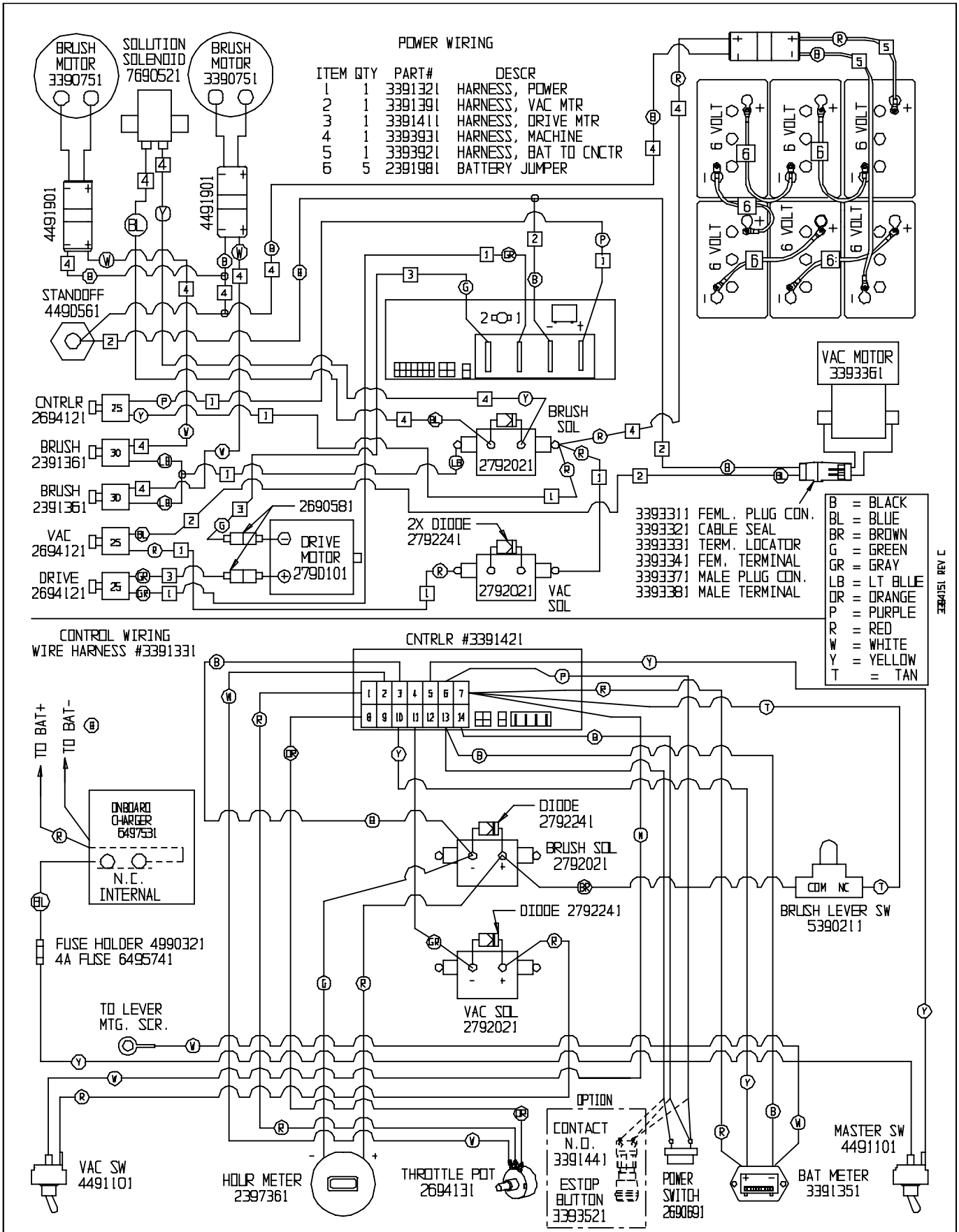
SOLUTION VALVE ASSEMBLY

ITEM	PART NO.	DESCRIPTION	QTY.
601	9121210	1/4-20 X 5/8 HEX BOLT - PACK OF 10	2
602	9120880	1/4 SPLIT LOCK WASHER - PACK OF 10	2
603	8791180	1/2 X 3/4 VINYL TUBING (8-1/2" LONG)	1
604	2495161	FITTING - 1/2 HOSE BARB X 1/4 MNPT	1
605	3393551	INLINE CANISTER STRAINER	1
605A	3393611	STRAINER ELEMENT	1
605B	3393621	GASKET	1
606	3891941	1/4 NPT HEX NIPPLE	1
607	2397961	SOLUTION VALVE	1
608	7691041	VALVE LEVER	1
609	9123140	1/4-20 X 1 3/4 X 1 3/4 "U" BOLT - PACK OF 1	2
610	3394041	SOLUTION VALVE MOUNT	1
611	8791180	1/2 X 3/4 VINYL TUBING (26" LONG)	1
612	2495161	FITTING, 1/2 HOSE BARB X 1/4 MNPT	1
613	7691051	SOLUTION LEVER AND CABLE ASSEMBLY	1
614	9120970	1/4 EXTERNAL STAR LOCK WASHER - PACK OF 10	1
615	7691061	CONDUIT CLAMP	1
616	9121090	1/4-20 X 1/2 TRUSS HEAD PHILLIPS MACHINE SCREW - PACK OF 5	1
617	9120910	1/4-20 HEX NUT WITH STAR LOCK WASHER - PACK OF 10	4
618	3393591	STRAINER LOCATION LABEL	1
619	3392301	FRAME	1
620	8791180	1/2 ID X 3/4 OD VINYL TUBING (20 1/2" LONG) - SIDEKICK ONLY	1
621	3394281	FITTING, 3/8 FPT X 1/2 HOSE - SIDEKICK ONLY	2
622	3394251	FLOW SENSOR WITH CONNECTOR - SIDE KICK ONLY - INCLUDES:	1
	3394291	CONNECTOR, FEMALE - SIDEKICK SENSOR	1
	3394311	TERMINAL, FEMALE	3
623	8791180	1/2 ID X 3/4 OD VINYL TUBING (2 1/2" LONG) - SIDEKICK ONLY	1
624	8791180	1/2 ID X 3/4 OD VINYL TUBING (6 3/8" LONG) - SIDEKICK ONLY	1
625	9590161	FITTING, TEE 1/2 HOSE X 1/4 MPT - SIDEKICK ONLY	1
626	8791180	1/2 ID X 3/4 OD VINYL TUBING (2 1/4" LONG) - SIDEKICK ONLY	1
627	9590221	FITTING, JACO 1/4 NPT X 1/4 OD TUBE - SIDEKICK ONLY	1
628	9590321	TUBING, 1/4" OD NYLON (53 1/2" LONG)	1

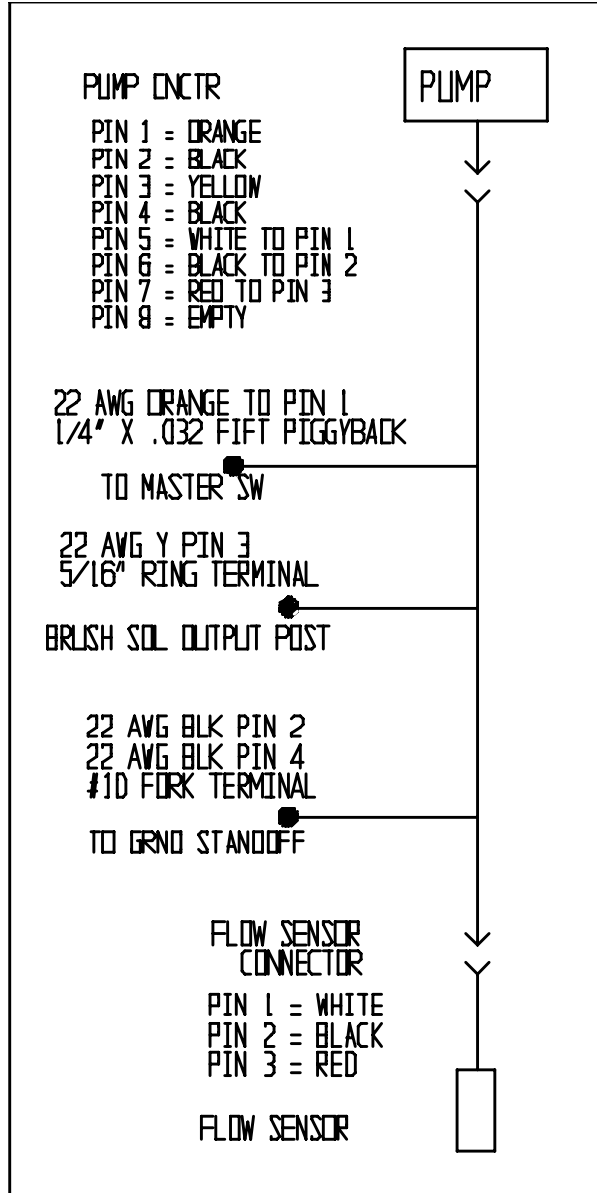
SOLUTION VALVE ASSEMBLY



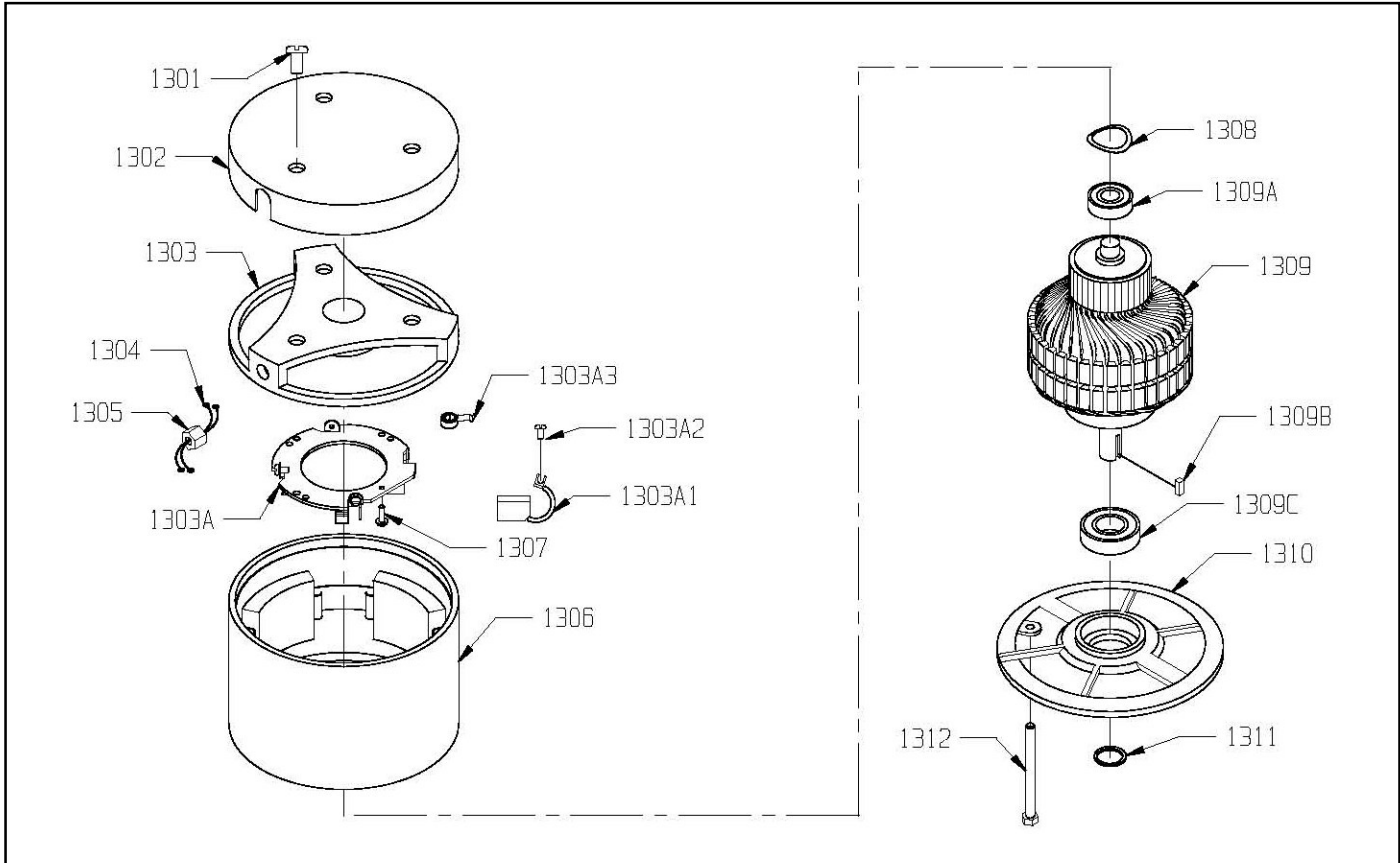
WIRING DIAGRAM



WIRING DIAGRAM - SIDEKICK OPTION

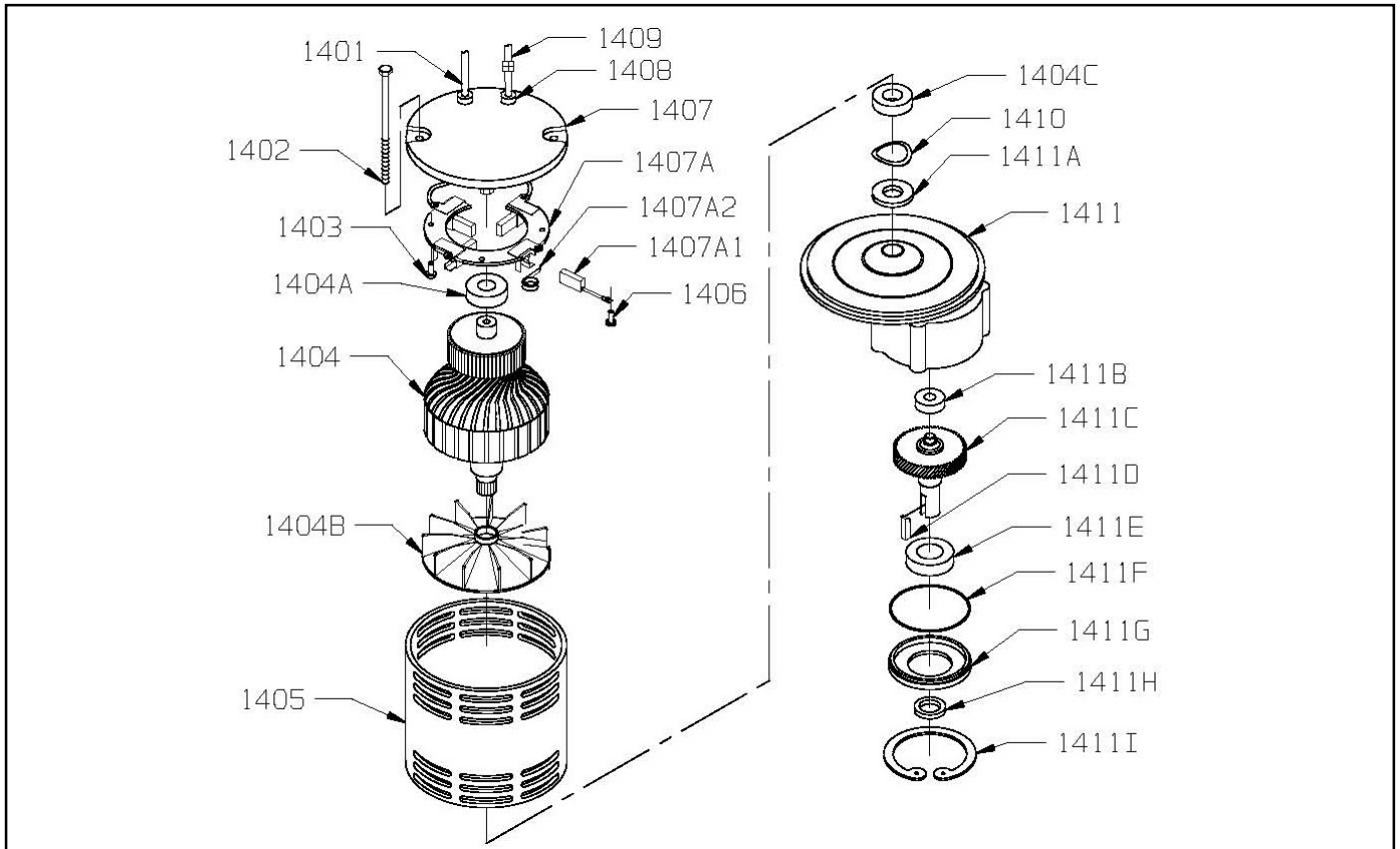


DRIVE MOTOR ASSEMBLY



ITEM	PART NO.	DESCRIPTION	QTY
	2790101	DRIVE MOTOR ASSEMBLY 36 VOLT - INCLUDES:	1
1301	-----	PAN HEAD SCREW	3
1302	2797721	TOP COVER	1
1303	-----	TOP END BELL ASSEMBLY	1
1303A	2797681	BRUSH BOARD ASSEMBLY - INCLUDES:	1
1303A1	2797571	BRUSH SPRING	4
1303A2	-----	10-32 X 3/8 BRASS PAN HEAD SCREW	4
1303A3	2797691	CARBON BRUSH WITH LEAD AND TERMINAL	4
1304	2797581	LEAD ASSEMBLY - 1 WIRE WITH TERMINALS	2
1305	-----	HEYCO STRAIN RELIEF	1
1306	2797651	STATOR FRAME ASSEMBLY WITH MAGNETS	1
1307	9120600	10-24 X 1/2 SELF TAPPING ROUND HEAD SCREW - PACK OF 10	3
1308	2797591	HELICAL WASHER	1
1309	2797661	ARMATURE ASSEMBLY - INCLUDES:	1
1309A	5092041	BEARING TOP END - COMMUTATOR END	1
1309B	2792681	SHAFT KEY	1
1309C	2790311	BEARING, BOTTOM END (SHAFT END)	1
1310	2797711	BOTTOM END BELL	1
1311	2797731	SHAFT SEAL	1
1312	-----	THRU BOLT	2

BRUSH GEAR MOTOR ASSEMBLY

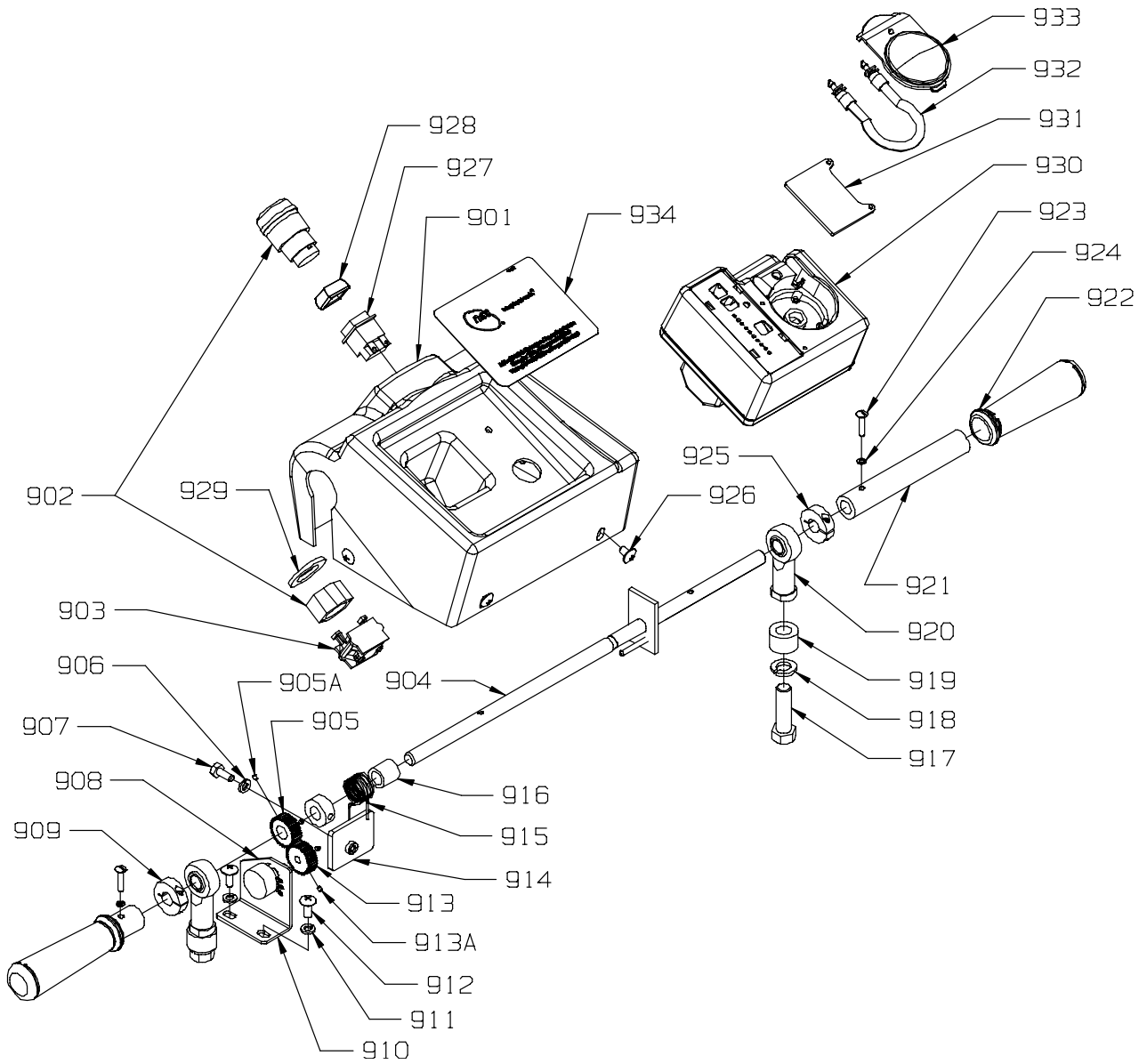


ITEM	PART NO.	DESCRIPTION	QTY.
	3390751	BRUSH GEAR MOTOR ASSEMBLY - INCLUDES:	1
1401	3391451	NEGATIVE LEAD	1
1402	3391201	THRU BOLT 1/4-20 X 7 3/4	2
1403	9120600	10-24 X 1/2 PAN HEAD PHILLIPS THREAD CUTTING SCREW - PACK OF 10	2
1404	3391461	ARMATURE ASSEMBLY - INCLUDES:	1
1404A	5092041	TOP END BEARING	1
1404B	3391191	ARMATURE VENT FAN	1
1404C	3391131	BOTTOM END BEARING	1
1405	3391041	STATOR FRAME ASSEMBLY WITH MAGNETS	1
1406	-----	10-32 X 1/2 PAN HEAD SLOTTED SCREW, BRASS	4
1407	3391471	TOP END BELL ASSEMBLY INCLUDES:	1
	3391001	TOP END BELL ONLY	1
1407A	3391481	BRUSH BOARD ASSEMBLY - INCLUDES:	1
1407A1	3391081	CARBON BRUSH - 120 VOLT	4
1407A2	2797571	CARBON BRUSH SPRING	4
1408	-----	STRAIN RELIEF	2
1409	3391491	POSITIVE LEAD	1
1410	2797591	HELICAL WASHER	1
1411	3391181	GEAR BOX ASSEMBLY - INCLUDES:	1
	3391101	GEAR BOX - HOUSING ONLY	1
1411A	3391091	OIL SEAL, LARGE	1
1411B	3391111	TOP BEARING, SMALL	1
1411C	3391121	GEAR SHAFT	1
1411D	2792681	MOTOR KEY, 1/4 X 1/4 X 1	1
1411E	3391131	BOTTOM BEARING, LARGE	1
1411F	3391141	"O" RING	1
1411G	3391151	END CAP	1
1411H	3391161	OIL SEAL, SMALL	1
1411 I	3391171	SNAP RING	1

HANDLE BAR & COVER ASSEMBLY

ITEM	PART NO.	DESCRIPTION	QTY.
901	3394231	HANDLE COVER	1
	3394201	HANDLE COVER - E-STOP	1
902	3393521	ACTUATOR - EMERGENCY STOP - OPTIONAL E-STOP	1
903	3391441	CONTACT BLOCK, 1 N.O. - OPTIONAL E-STOP	1
904	3393901	HANDLE BAR	1
905	2691931	DRIVE GEAR - HANDLE BAR - INCLUDES:	1
905A	9120170	8-32 X 3/16 SET SCREW - KNURL POINT - STEEL - PACK OF 5	2
906	9120880	1/4 SPLIT LOCK WASHER - PACK OF 10	1
907	9121210	1/4-20 X 5/8 HEX BOLT - PACK OF 10	1
908	2694131	POTENTIOMETER - CURTIS SPEED CONTROL	1
909	3393891	COLLAR - SHAFT 1/2" I.D. - INCLUDED CLAMPING SCREW	2
910	3393141	ADJUSTABLE BRACKET - TORSION SPRING	1
911	9120970	1/4 EXTERNAL STAR LOCK WASHER - PACK OF 10	2
912	9120990	1/4-20 X 3/8 TRUSS HEAD PHILLIPS MACHINE SCREW - PACK OF 5	2
913	2691941	DRIVEN GEAR - POTENTIOMETER - INCLUDES:	1
913A	9120170	8-32 X 3/16 SET SCREW - KNURL POINT - STEEL - PACK OF 5	2
914	3393851	BRACKET - SPRING STOP	1
915	6496091	TORSION SPRING - .81 I.D. X .067 DIAMETER WIRE	1
916	6496081	BEARING - PLAIN SLEEVE .5 X .75 X .75 LONG	1
917	9122710	1/2-20 X 1 3/4 HEX BOLT - PACK OF 1	2
918	9122420	1/2 SPLIT LOCK WASHER - PACK OF 5	2
919	2691891	HANDLE BAR SPACER	2
920	2391941	1/2-20 FEMALE ROD END - BALL JOINT	2
921	2691871	HANDLE GRIP BASE	2
922	3392901	HANDLE GRIP	2
923	9120270	8-32 X 7/8 ROUND HEAD PHILLIPS MACHINE SCREW - PACK OF 10	2
924	9120200	#8 SPLIT LOCK WASHER - PACK OF 10	2
925	6496171	COLLAR - SHAFT 1/2" I.D. - INCLUDED SET SCREW	1
926	9120990	1/4-20 X 3/8 TRUSS HEAD PHILLIPS MACHINE SCREW - PACK OF 5	4
927	4890761	MOMENTARY SWITCH	1
928	4890781	SWITCH BOOT	1
929	9123210	7/8 ID X 1-1/2 OD FLAT WASHER - PACK OF 1 - OPTIONAL E-STOP	1
930	9590101	KIT, SIDEKICK CHEMICAL DISPENSOR - OPTIONAL	1
	9590211	REPLACEMENT CONTROL BOARD	1
	9590121	REPLACEMENT PUMP TOP HOUSING	1
	9590131	REPLACEMENT PUMP BOTTOM HOUSING	1
	9590311	REPLACEMENT SPINNER ASSEMBLY, PUMP	1
931	9590189	KIT, SIDEKICK CONTROL COVER - OPTIONAL	1
	3394261	COVER, DILUTION CONTROL	1
	9590191	SCREW, TAMPERPROOF, #6 X 1/2" LONG	2
	9590201	TOOL, TAMPERPROOF SCREW	1
932	9590151	SQUEEZE TUBE WITH FITTINGS - OPTIONAL	1
933	9590141	SQUEEZE TUBE COVER - OPTIONAL	1
934	9590231	SIDEKICK READY LABEL	1

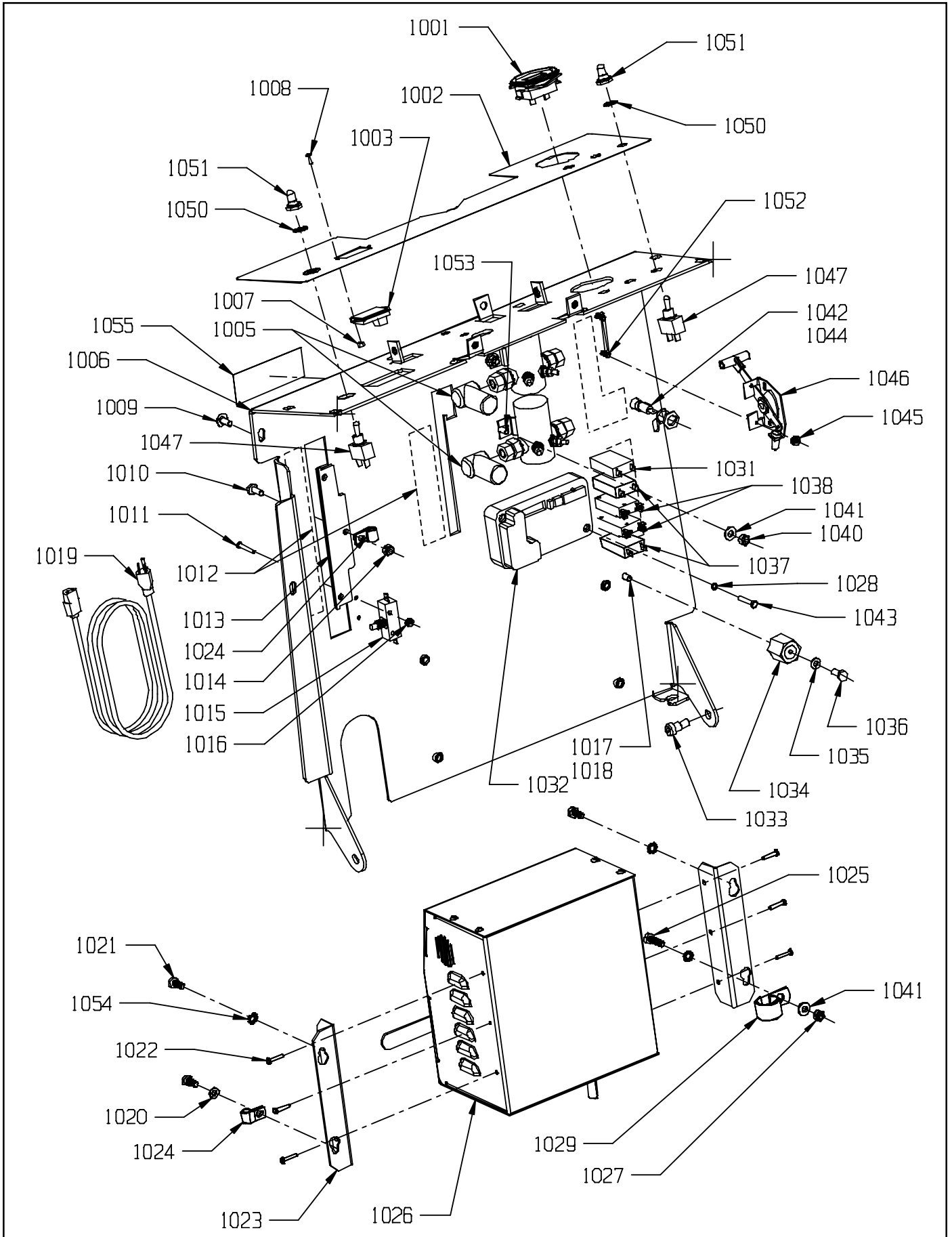
HANDLE BAR & COVER ASSEMBLY



REAR PANEL ASSEMBLY

ITEM	PART NO.	DESCRIPTION	QTY.
1001	2397361	HOUR METER	1
1002	3391301	CONTROL PLATE	1
1003	3391351	TRUCHARGE INDICATOR	1
1005	7692421	TERMINAL BOOT	2
1006	3391313	REAR PANEL	1
1007	9120015	4-40 HEX NUT WITH STAR LOCK WASHER - PACK OF 10	2
1008	9120012	#4-40 X 3/8 LG PAN HEAD PHILLIPS MACHINE SCREW - PACK OF 5	2
1009	9121000	1/4-20 X 5/8 TRUSS HEAD PHILLIPS MACHINE SCREW - PACK OF 5	8
1010	9121210	1/4-20 X 5/8 HEX BOLT - PACK OF 10	3
1011	9120110	6-32 X 1 1/8 PAN HEAD PHILLIPS MACHINE SCREW - PACK OF 10	2
1012	3391401	DECAL KIT - REAR PANEL IDRIVE (INCLUDES ALL DECALS ON R. PANEL)	1
1013	3392281	BRUSH HANDLE LOCK PLATE	1
1014	9120900	1/4-20 HEX NUT WITH NYLOK INSERT	3
1015	5390211	SNAP SWITCH	1
1016	9120020	6-32 HEX NUT WITH STAR LOCK WASHER - PACK OF 10	2
1017	9121170	1/4-20 X 1/2 HEX BOLT - PACK OF 10	1
1018	9120880	1/4 SPLIT LOCK WASHER - PACK OF 10	1
1019	6495701	120 VOLT ONBOARD CHARGER CORD	1
1019	6495711	240 VOLT ONBOARD CHARGER CORD	1
1020	9120880	1/4 SPLIT LOCK WASHER - PACK OF 10	1
1021	9121170	1/4-20 X 1/2 HEX BOLT - PACK OF 10	3
1022	9120810	#10 x 1/2 PAN HEAD PHILLIPS SHEET METAL SCREW - PACK OF 10	6
1023	2695841	BRACKET, CHARGER MOUNTING	2
1024	3291111	CORD CLAMP	2
1025	9121270	1/4-20 X 1 HEX BOLT - PACK OF 10	1
1026	6497531	36 VOLT ONBOARD CHARGER 25A DP - 100/115/230 50/60HZ INPUT - INCLUDES:	1
	2695861	CORD WRAP	1
1027	9120900	1/4-20 HEX NUT WITH NYLOK INSERT - PACK OF 10	1
1028	9120200	#8 LOCKWASHER	2
1029	2395761	CABLE CLAMP, 1"	1
1031	2694121	CIRCUIT BREAKER 25A	1
1032	3391421	CONTROLLER, IDRIVE	1
1033	9122020	3/8 X 3/8 SOCKET HEAD SHOULDER BOLT (5/16-18) - PACK OF 1	2
1034	4490561	INSULATED STANDOFF	1
1035	9120880	1/4 SPLIT LOCK WASHER - PACK OF 10	1
1036	9121210	1/4-20 X 5/8 HEX BOLT - PACK OF 10	1
1037	2694121	CIRCUIT BREAKER - 25 AMP	2
1038	2391361	CIRCUIT BREAKER - 30 AMP	2
1039	2792021	CONTACTOR - SOLENOID	2
1040	9120900	1/4-20 HEX NUT WITH NYLOK INSERT - PACK OF 10	4
1041	9120930	9/32 I.D. X 5/8 O.D. X .051/.080 THICK SAE FLAT WASHER (1/4) - PACK OF 10	1
1042	4990321	FUSE HOLDER WITH NUT AND WASHER	1
1043	9120285	#8-32 X 1-1/8 LG ROUND HEAD PHILLIPS MACH SCREW - PK OF 5	2
1044	6495741	3AG FAST - ACTING FUSE 4AMP	1
1045	9120360	10-24 HEX NUT WITH STAR LOCK WASHER - PACK OF 10	2
1046	7691051	SOLUTION LEVER AND CABLE ASSEMBLY	1
1047	4491101	SWITCH - TOGGLE	2
1050	0691851	1/2 INTERNAL STAR LOCK WASHER	2
1051	0693141	RUBBER SWITCH BOOT	2
1052	9120420	10-24 X 5/8 ROUND HEAD PHILLIPS MACHINE SCREW - PACK OF 10	2
1053	9121210	1/4-20 X 5/8 HEX BOLT - PACK OF 10	4
1054	9120970	1/4 STAR LOCK WASHER - PACK OF 10	3
1055	3393501	IDENTIFIER DECAL - WRANGLER 2730	1
	3393511	IDENTIFIER DECAL - WRANGLER 3330	1

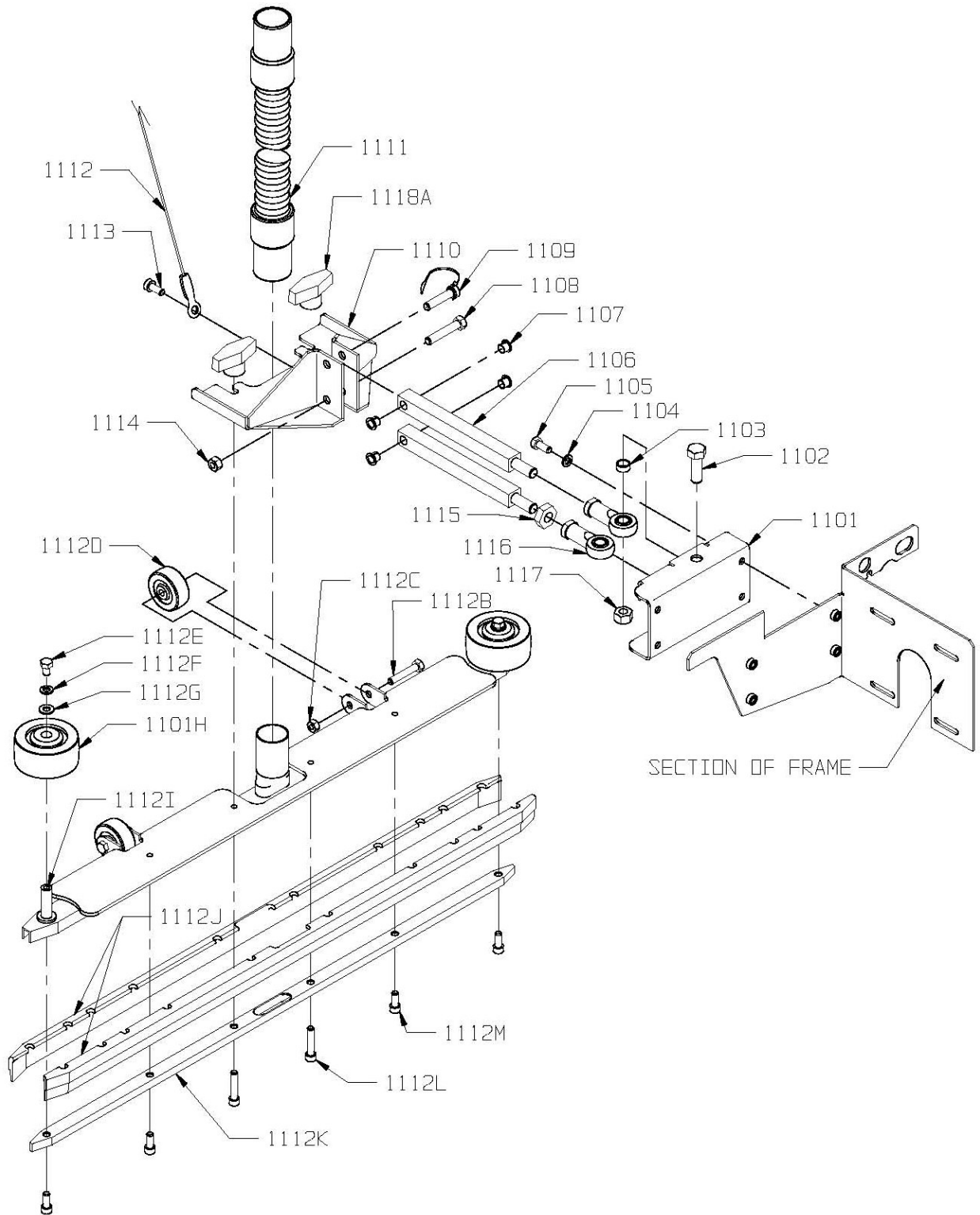
REAR PANEL ASSEMBLY



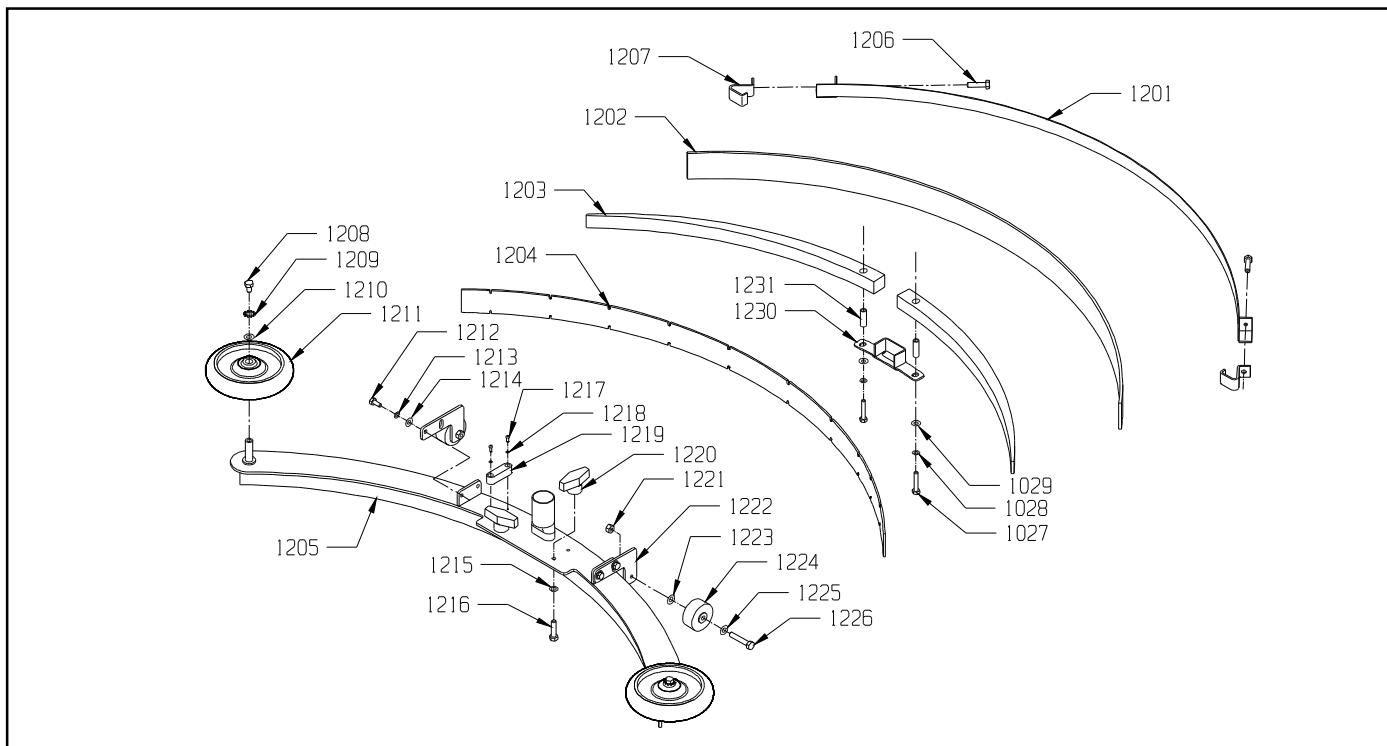
STRAIGHT SQUEEGEE ASSEMBLY

ITEM	PART NO.	DESCRIPTION	QTY.
1101	3392131	SQUEEGEE MOUNT BRACKET	1
1102	9122550	1/2-13 X 1 1/2 HEX BOLT - PACK OF 1	2
1103	2391461	BUSHING - LIFT LEVER	2
1104	9121520	5/16 SPLIT LOCK WASHER - PACK OF 10	4
1105	9121640	5/16-18 X 3/4 HEX BOLT - PACK OF 5	4
1106	3392161	SQUEEGEE PIVOT ROD	2
1107	1391171	3/8 FLANGE NYLINER	4
1108	9122340	3/8-16 X 2 HEX BOLT - PACK OF 2	1
1109	9121950	3/8 X 1 5/8 CLEVIS PIN - STEEL - WITH RETAINER - PACK OF 1	1
1110	3392151	SQUEEGEE MOUNT BRACKET	1
1111	2690591	SQUEEGEE VAC HOSE WITH CUFFS	1
1112	3392141	SQUEEGEE LIFT CABLE	1
1113	9121505	5/16 X 1/8 (1/4-20) SOCKET HEAD SHOULDER BOLT - PACK OF 1	1
1114	9122140	3/8-16 HEX NUT WITH NY-LOK INSERT - PACK OF 5	1
1115	9122670	1/2-20 HEX JAM NUT - PACK OF 6	1
1116	2391941	BALL JOINT	2
1117	9122495	1/2-13 THIN HEX NUT WITH NYLOK INSERT - PACK OF 1	2
1118	2692539	SQUEEGEE ASSEMBLY NARROW MOUNT - WRANGLER 2730 - INCLUDES:	1
	2693539	SQUEEGEE ASSEMBLY NARROW MOUNT - WRANGLER 3330 - INCLUDES:	1
1118A	3392971	T-KNOB -SQUEEGEE	2
1118B	9121720	5/16-18 X 1 1/4 FULL THREADED HEX BOLT	2
1118C	9121450	5/16-18 HEX NUT WITH NY-LOK INSERT	2
1118D	3096741	WHEEL - BUMPER - SMALL GRAY	2
1118E	9121560	5/16-18 X 1/2 HEX BOLT - PACK OF 5	2
1118F	9121410	5/16 EXTERNAL STAR LOCK WASHER - PACK OF 10	2
1118G	9121390	11/32 I.D. X 11/16 O.D. X .051/.080 THICK FLAT WASHER (5/16)-PACK OF 10	2
1118H	2790281	3" BUMPER WHEEL	2
1118 I	2692523	HOUSING NARROW MOUNT SQUEEGEE - WRANGLER 2730	1
	2693523	HOUSING NARROW MOUNT SQUEEGEE - WRANGLER 3330	1
1118J	2793009	32" REPLACEMENT SQUEEGEE BLADES SET OF 2 - WRANGLER 2730	1
	3394109	38" REPLACEMENT SQUEEGEE BLADES SET OF 2 - WRANGLER 3330	1
1118K	2692533	INNER CHANNEL - WRANGLER 2730	1
	2693533	INNER CHANNEL - WRANGLER 3330	1
1118L	9121920	5/16-18 X 1 1/2 SOCKET HEAD CAP SCREW	2
1118M	9121880	5/16-18 X 3/4 SOCKET HEAD CAP SCREW	4

STRAIGHT SQUEEGEE ASSEMBLY

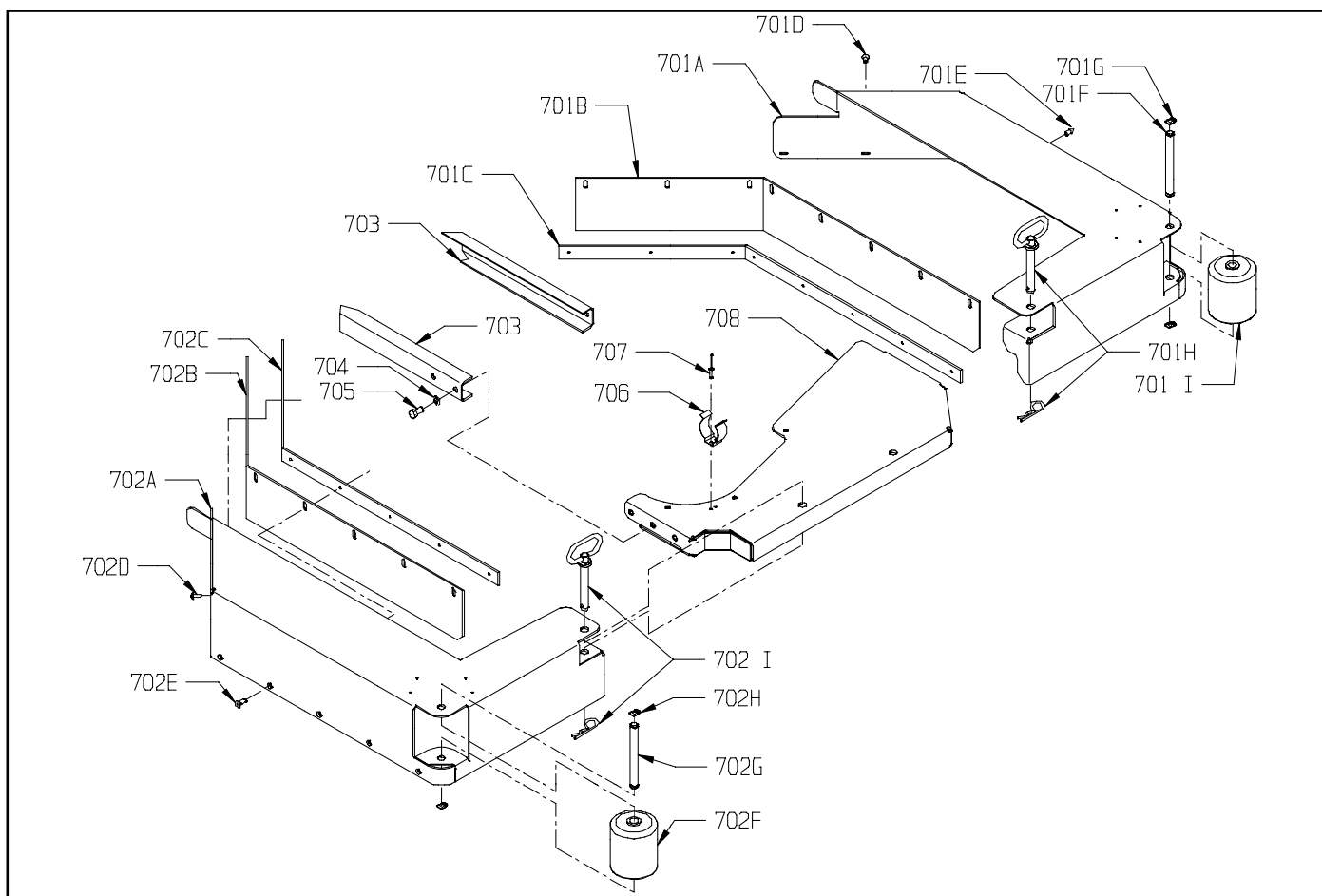


CURVED SQUEEGEE ASSEMBLY



ITEM	PART NO.	DESCRIPTION	QTY.
	3392979	CURVED SQUEEGEE ASSEMBLY BIG WHEELS - INCLUDES:	1
1201	2693841	REAR SECURING STRAP	1
1202	2693831	REAR BLADE	1
1203	2693811	CENTER WEDGE	2
1204	2693821	FRONT BLADE	1
1205	3392983	CURVED SQUEEGEE HOUSING	1
1206	9121720	5/16-18 X 1 1/4 FULL THREADED HEX BOLT - PACK OF 2	2
1207	2492561	HOOKED END	2
1208	9121560	5/16-18 X 1/2 HEX BOLT - PACK OF 5	2
1209	9121410	5/16 EXTERNAL STAR LOCK WASHER - PACK OF 10	2
1210	9121390	11/32 I.D. X 11/16 O.D. X .051/.080 THICK FLAT WASHER (5/16) - PACK OF 10	2
1211	3392991	SQUEEGEE BUMPER WHEEL - 6" O.D.	2
1212	9121210	1/4-20 X 5/8 HEX BOLT - PACK OF 10	4
1213	9120880	1/4 SPLIT LOCK WASHER - PACK OF 10	4
1214	9120930	9/32 I.D. X 5/8 O.D. X .051/.080 THICK FLAT WASHER (1/4) - PACK OF 10	4
1215	9121520	5/16 SPLIT LOCK WASHER - PACK OF 10	2
1216	9121720	5/16-18 X 1 1/4 FULL THREADED HEX BOLT - PACK OF 2	2
1217	9120070	6-32 X 3/8 ROUND HEAD PHILLIPS MACHINE SCREW - PACK OF 10	2
1218	9120030	#6 SPLIT LOCK WASHER - PACK OF 10	2
1219	2492581	SQUEEGEE LEVEL	1
1220	3392971	T - KNOB - SQUEEGEE	2
1221	9121450	5/16-18 HEX NUT WITH NYLOK INSERT - PACKK OF 5	2
1222	2492571	DOLLY WHEEL MOUNTING BRACKET	2
1223	9121390	11/32 I.D. X 11/16 O.D. X .051/.080 THICK FLAT WASHER (5/16) - PACK OF 10	2
1224	3096741	WHEEL, BUMPER - SMALL GRAY	2
1225	9121390	11/32 I.D. X 11/16 O.D. X .051/.080 THICK FLAT WASHER (5/16) - PACK OF 10	2
1226	9121760	5/16-18 X 1 3/4 HEX BOLT - PACK OF 2	2
1227	9121280	1/4-20 X 1 1/2 HEX BOLT - PACK OF 5	2
1228	9120880	1/4 SPLIT LOCK WASHER - PACK OF 10	2
1229	9120930	9/32 I.D. X 5/8 O.D. X .051/.080 THICK FLAT WASHER (1/4) - PACK OF 10	2
1230	2492541	CENTER HOLD DOWN	1
1231	2492591	CENTER HOLD DOWN SPACER	2

SKIRT ASSEMBLY WRANGLER 2730 DB

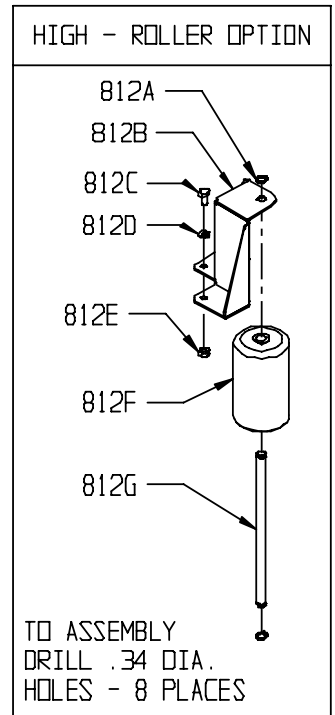
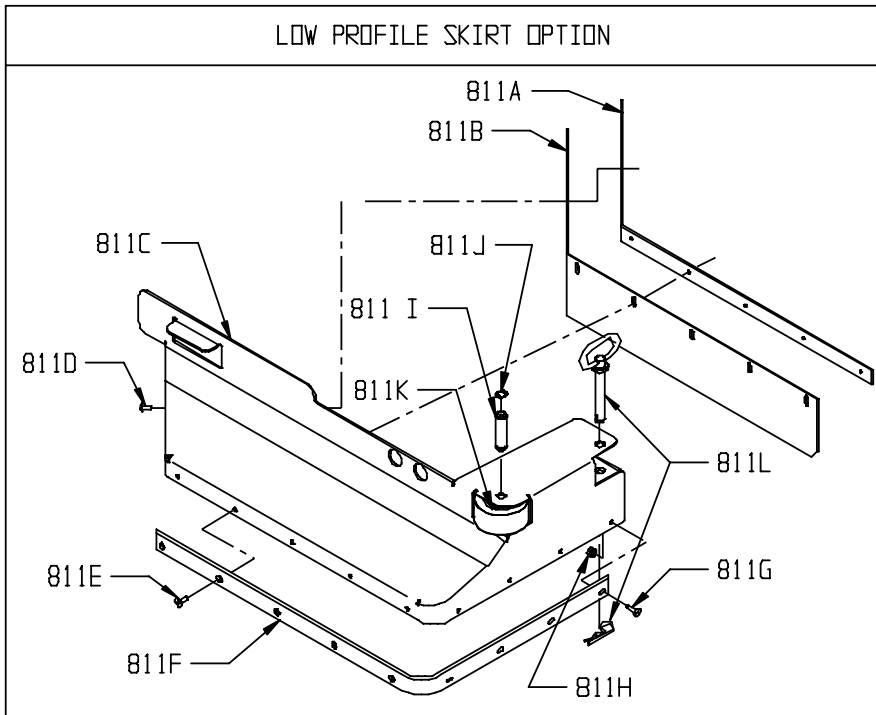
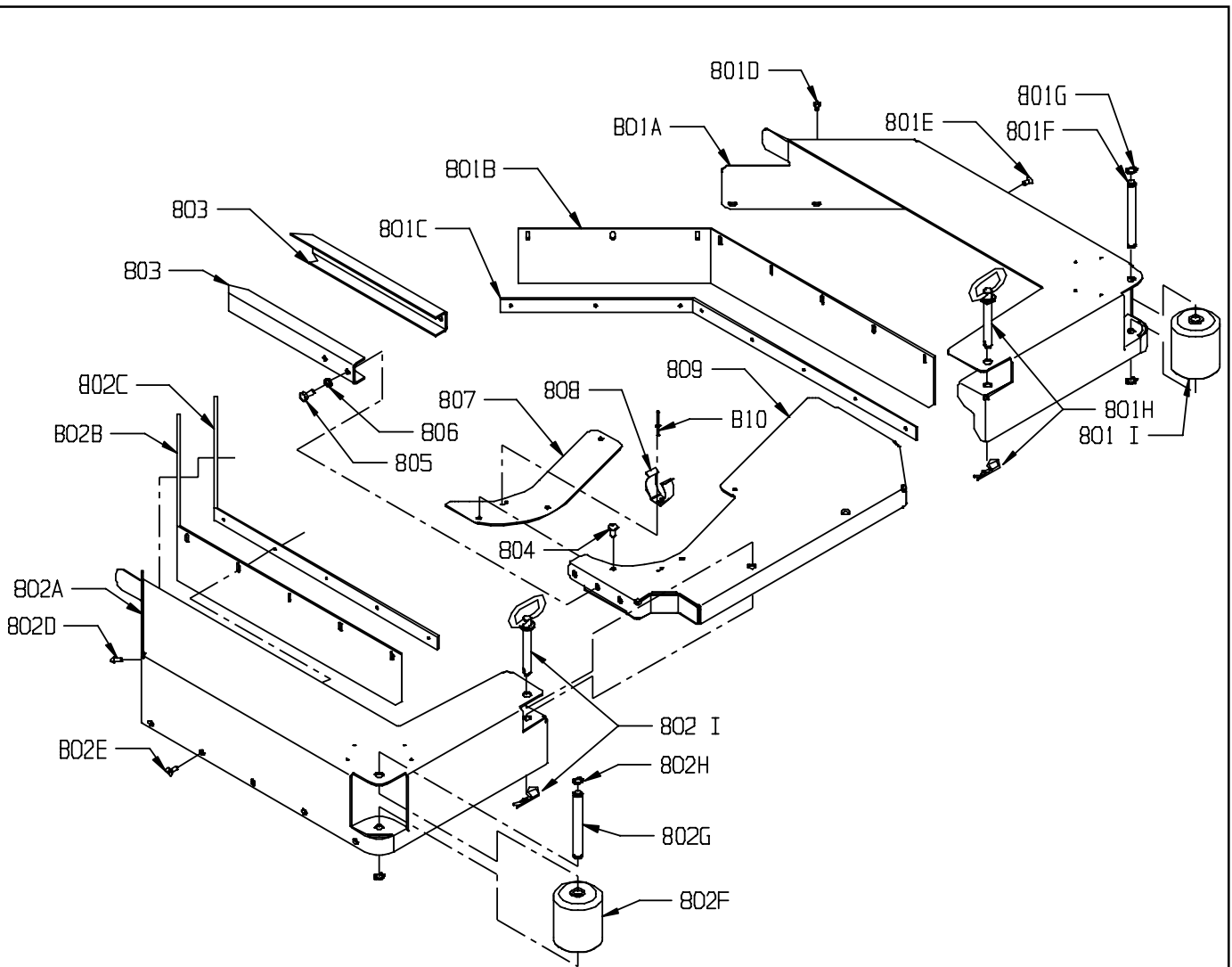


ITEM	PART NO.	DESCRIPTION	QTY.
701	3392709	LEFT SIDE SKIRT ASSEMBLY - INCLUDES:	1
701A	3392323	LEFT SIDE SKIRT	1
701B	3392331	LEFT WIPER	1
701C	3392341	LEFT WIPER STRAP	1
701D	9120500	10-24 X 3/8 TRUSS HEAD PHILLIPS MACHINE SCREW - PACK OF 10	1
701E	9120540	10-24 X 1/2 FLAT HEAD PHILLIPS MACHINE SCREW - PACK OF 10	1
701F	3392541	CASTER MOUNT HINGE PIN	1
701G	9122496	RETAINING RING	2
701H	2691491	PIN - SKIRT - WITH HAIRPIN	1
701I	3392551	BUMPER WHEEL	1
702	3392719	RIGHT SIDE SKIRT ASSEMBLY - INCLUDES:	1
702A	3392353	RIGHT SIDE SKIRT	1
702B	3392371	RIGHT WIPER STRAP	1
702C	3392361	RIGHT WIPER	1
702D	9120500	10-24 X 3/8 TRUSS HEAD PHILLIPS MACHINE SCREW - PACK OF 10	1
702E	9120540	10-24 X 1/2 FLAT HEAD PHILLIPS MACHINE SCREW - PACK OF 10	1
702F	3392551	BUMPER WHEEL	1
702G	3392541	CASTER MOUNT HINGE PIN	1
702H	9122496	RETAINING RING	2
702I	2691491	PIN - SKIRT - WITH HAIRPIN	1
703	3394033	FRAME CHANNEL	2
704	9121520	5/16 SPLIT LOCK WASHER - PACK OF 10	1
705	9121600	5/16-18 X 5/8 HEX BOLT - PACK OF 5	1
706	7691921	SPRING CLIP - HOSE	1
707	2391751	POP RIVET 1/8" X 5/8"	2
708	3392393	BUMPER / SKIRT MOUNT	1

SKIRT ASSEMBLY WRANGLER 3330 DB

ITEM	PART NO.	DESCRIPTION	QTY.
801	3392739	LEFT SIDE SKIRT ASSEMBLY - INCLUDES:	1
801A	3392423	LEFT SIDE SKIRT	1
801B	3392431	LEFT WIPER	1
801C	3392441	LEFT WIPER STRAP	1
801D	9120500	10-24 X 3/8 TRUSS HEAD PHILLIPS MACHINE SCREW - PACK OF 10	1
801E	9120540	10-24 X 1/2 FLAT HEAD PHILLIPS MACHINE SCREW - PACK OF 10	1
801F	3392541	CASTER MOUNT HINGE PIN	1
801G	9122469	RETAINING RING	2
801H	2691491	PIN - WITH HAIRPIN	1
801I	3392551	BUMPER WHEEL	1
802	3392749	RIGHT SIDE SKIRT ASSEMBLY - INCLUDES:	1
802A	3392453	RIGHT SIDE SKIRT	1
802B	3392431	RIGHT WIPER	1
802C	3392441	RIGHT WIPER STRAP	1
802D	9120500	10-24 X 3/8 TRUSS HEAD PHILLIPS MACHINE SCREW - PACK OF 10	1
802E	9120540	10-24 X 1/2 FLAT HEAD PHILLIPS MACHINE SCREW - PACK OF 10	1
802F	3392551	BUMPER WHEEL	1
802G	3392541	CASTER MOUNT / BUMPER WHEEL PIN	1
802H	9122496	RETAINING RING	2
802I	2691491	PIN - SKIRT - WITH HAIRPIN	1
803	3394033	FRAME CHANNEL	2
804	9121000	1/4-20 X 5/8 TRUSS HEAD PHILLIPS SCREW - PACK OF 5	1
805	9121600	5/16-18 X 5/8 HEX BOLT - PACK OF 5	1
806	9121520	5/16 SPLIT LOCK WASHER - PACK OF 10	1
807	3392921	BUMPER EXTENSION	1
808	7691921	SPRING CLIP - HOSE	1
809	3392393	BUMPER / SKIRT MOUNT	1
810	2391751	POP RIVET 1/8" X 5/8"	2
811	3392759	LOW PROFILE SKIRT ASSEMBLY	1
811A	3392441	WIPER STRAP - RIGHT AND LEFT SIDE	1
811B	3392431	WIPER - RIGHT AND LEFT SIDE	1
811C	3392483	RIGHT LOW PROFILE SKIRT	1
811D	9120500	10-24 X 3/8 TRUSS HEAD PHILLIPS MACHINE SCREW - PACK OF 10	1
811E	9120550	10-24 X 5/8 FLAT HEAD PHILLIPS MACHINE SCREW - PACK OF 10	1
811F	3392471	BUMPER - LOW PROFILE SKIRT	1
811G	9120510	10-24 X 1/2 TRUSS HEAD PHILLIPS MACHINE SCREW - PACK OF 10	1
811H	9120350	10-24 HEX NUT WITH NYLOK INSERT - PACK OF 10	1
811I	2490311	AXLE - BUMPER WHEEL	1
811J	9122496	RETAINING RING	2
811K	2790281	3" BUMPER WHEEL	1
811L	2691491	PIN - SKIRT - WITH HAIRPIN	1
812	3392809	HIGH-ROLLER KIT OPTION 1 PER SKIRT	1
812A	9122496	RETAINING RING	2
812B	3392773	BRACKET ROLLER PIN - 1 PER SKIRT	1
812C	9121600	5/16-18 X 5/8 HEX BOLT - PACK OF 5	1
812D	9121520	5/16 SPLIT LOCK WASHER - PACK OF 10	1
812E	9121420	5/16-18 HEX NUT - PACK OF 10	1
812F	2691151	BUMPER WHEEL	1
812G	3392651	BUMPER AXLE	1

SKIRT ASSEMBLY WRANGLER 3330 DB



ACCESSORIES

Batteries and Battery Accessories

- 3390361 225 A.H. Battery
- 2691501 325 A.H. Battery
- 7691401 395 A.H. Battery
- 7692461 Battery Fill System - 225 Amp
- 7692481 Battery Fill System - 325 & 395 Amp
- 7692501 Handi Pump Hose
- 7692181 Low Water Battery Alarm
- 2796101 2 Qt. Battery Battery Fill Container
- 3394081 Off Board Charger Adaptor
- 3394161 Off Board Charger (40 amp) Adaptor



Pad Cup

- 2795231 Split Retainer Ring Pad Cup
- 5990731 Spring Clip Pad Holder Set

Wrangler 2730

- 2792891 14" Polyblock Tuft Pad Driver
- 2792511 14" Polyblock Nylon Brush - Light to medium Scrubbing.
- 2792521 14" Polyblock Nylon Grit-Filled Brush - Heavy Concrete Scrubbing.
- 2792531 14" Polyblock Wire Brush.
- 2792901 14" Polyblock Scrub Grit Brush - Mild to Medium Scrubbing.



Pad Driver

Wrangler 3330

- 3390891 17" Polyblock Tuft Pad Driver
- 3390511 17" Polyblock Nylon Brush - Light to Medium Scrubbing.
- 3390521 17" Polyblock Nylon Grit-Filled Brush - Heavy Concrete Scrubbing.
- 3390531 17" Polyblock Wire Scrub Brush.
- 3390901 17" Polyblock Scrub Grit Brush - Mild to Medium Scrubbing.



Scrub Brush

Floor Pads

For soft finishes: Use to scrub

- 7991451 14" NSS Lite Blue Polish/Burnish Pad
- 7991751 17" NSS Lite Blue Polish/Burnish Pad

For all finishes: Characteristics of a Blue & Red pad. Remove scuff marks, not finish. Use for light cleaning & polishing.

- 7991441 14" NSS UHS CleanBuff Pad
- 7991741 17" NSS UHS CleanBuff Pad

For all finishes: Removes finish completely.

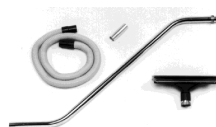
- 7991401 14" NSS Black Strip Pad
- 7991701 17" NSS Black Strip Pad
- 7990031 17" NSS Green Ecostrip Pad

Twister Floor Pads

- | | | | |
|---------|-------------------------|---------|-------------------------|
| 7991491 | 14" Twister Starter Kit | 7991691 | 17" Twister Starter Kit |
| 7991481 | 14" Twister White Pad | 7991791 | 17" Twister White Pad |
| 7991471 | 14" Twister Yellow Pad | 7991771 | 17" Twister Yellow Pad |
| 7991461 | 14" Twister Green Pad | 7991761 | 17" Twister Green Pad |
| 7991041 | 14" Twister Red Pad | 7991801 | 17" Twister Red Pad |

2392129 Wet Pick Up Tool Kit

- 5790469 Wand - 2 Piece
- 2391231 Vacuum Hose
- 5797011 Squeegee Tool
- 2291211 Aluminum Connector
- 2391241 Hose Strap
- 9997560 Velcro Loop
- 9997550 Velcro Hook



- 2392179 Brush Squeegee Kit
- 2290209 1.5" Steel Tube Handle
- 2391231 Vacuum Hose
- 3097849 Squeegee Tool w/ Brush
- 2291211 Aluminum Connector



NSS ® Enterprises, Inc.

3115 Frenchmens Road, Toledo, Ohio 43607
 PHONE (419) 531-2121 FAX (419) 531-3761
NSS ® Enterprises, Inc. European Distribution Centre
 Unit II, Pinfold Trading Estate * 55 Nottingham Road
 STAPLEFORD, NOTTINGHAM NG9 8AD ENGLAND U.K.
 PHONE: (44) 0115 939 1568 * FAX: (44) 0115 949 0615