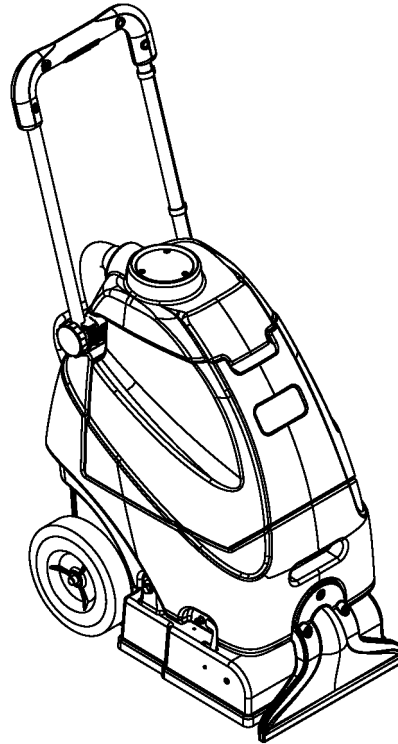


Xtrac



PARTS LIST

Euroclean MODEL 56265301

Euroclean

ACCESSORIES

AVAILABLE BRUSH

56265340 Brush Assembly 12"

ACCESSORY TOOLS

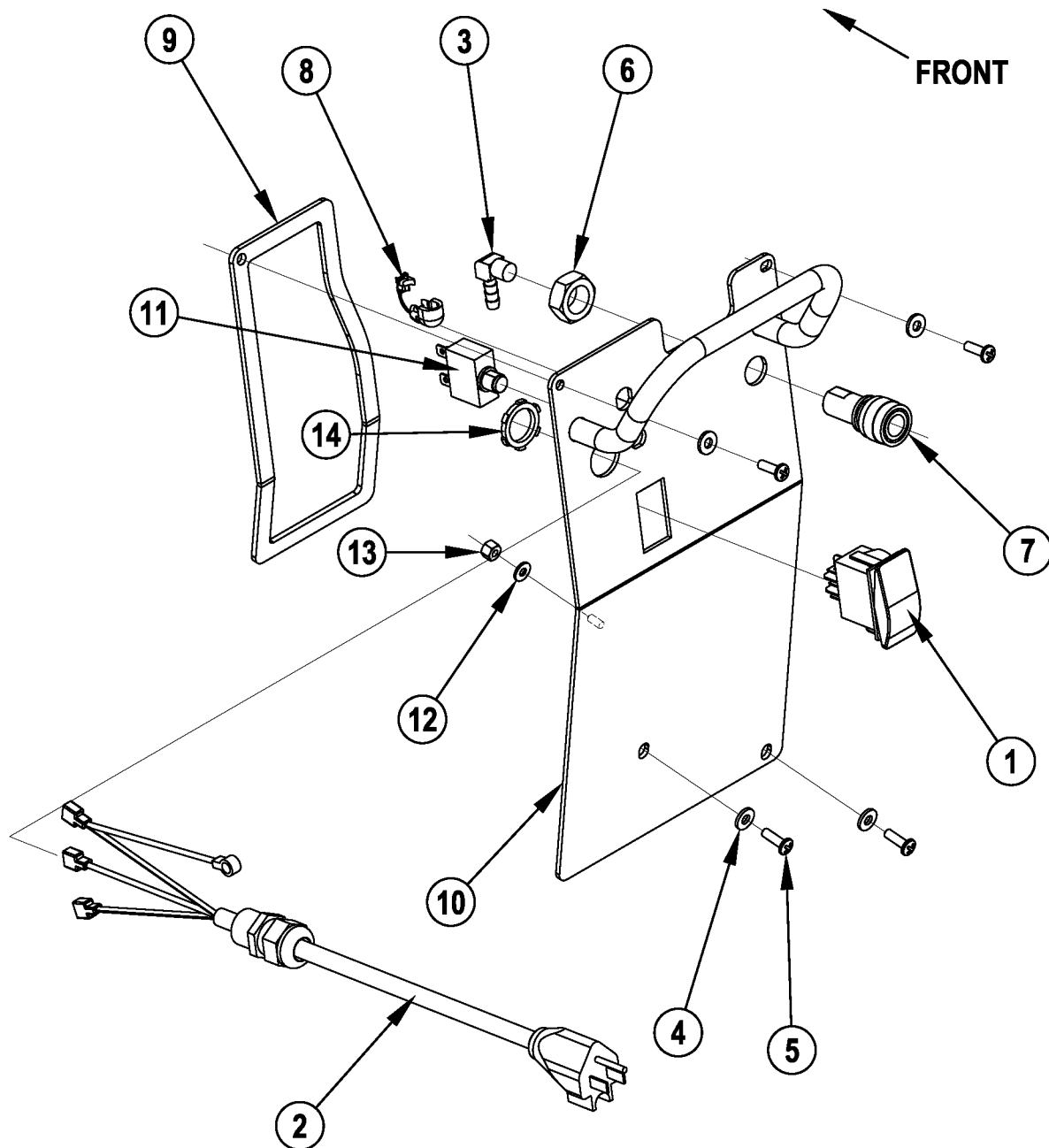
| | |
|----------|---|
| 56314402 | Wand Assembly w/Soft and Hard Floor Tools |
| 56265173 | Wand Assembly w/Soft Floor Tool |
| 56262209 | Stand Up Wand |
| 56220109 | Hand Tool |
| 56220070 | Upholstery Hand Tool |
| 56265368 | 8' Hose w/Waterline |
| 56265174 | 15' Hose w/Waterline |

| DESCRIPTION | PAGE |
|--------------------------|-------|
| Back Panel Assembly..... | 2-3 |
| Base System | 4-5 |
| Brush System..... | 6-7 |
| Decal System | 8-9 |
| Handle System 12..... | 10-11 |
| Recovery System..... | 12-13 |
| Solution System | 14-15 |
| Wiring Diagram | 16-17 |

WHEN ORDERING PARTS

- * Use the 8 digit numbers from the "Ref. No." columns in this parts list.
- * Specify the model and serial number of the machine.
- * Use the space below to record the model and serial number for future reference.

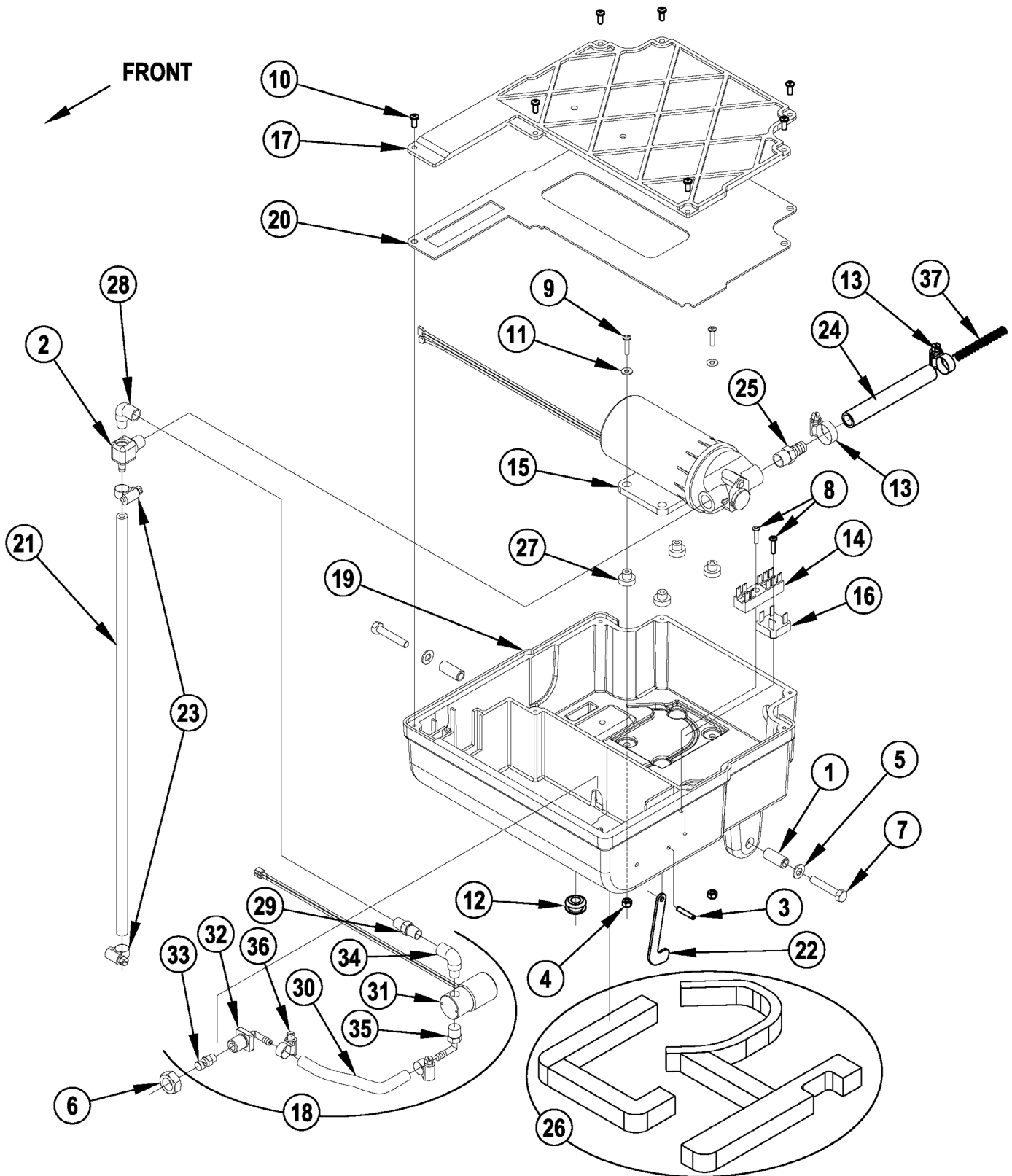
Model _____ Serial No. _____



| | | | |
|------|----------------------------|--|----------|
| 05-6 | BACK PANEL ASSEMBLY | | |
| 07-8 | Xtrac | | 3 |

| Item | Ref. No. | Qty | Description |
|------|----------|-----|-------------------------------------|
| 1 | 56265107 | 1 | Switch, Rocker |
| 2 | 56316322 | 1 | Cord, Power 16/3, SJT NOTE 1 |
| 3 | 56755726 | 1 | Barb, Hose Male |
| 4 | 56009205 | 4 | Wsh, Flt SS .219 x .500 x .047/.062 |
| 5 | 56002896 | 4 | Scr, Pan Phil SS 10-24 x .62 |
| 6 | 56009078 | 1 | Nut, Hex Jam SS 5/8-18 |
| 7 | 56265208 | 1 | Socket, 1/8 FPT |
| 8 | 56265392 | 1 | Strain Relief, .25-.29 |
| 9 | 56265325 | 1 | Gasket, Back Panel |
| 10 | 56265411 | 1 | Weldment, Back Panel NOTE 1 |
| 11 | 56265379 | 1 | Circuit Breaker W/Boot |
| 12 | 56009010 | 1 | Wsh, Int Shprt #8 |
| 13 | 56009148 | 1 | Nut, Hex Machine 8-32 |
| 14 | 56009095 | 1 | Nut, Conduit Lock 1/2-14 |

NOTE 1: 56265356 is obsolete and replaced by 56316322. 56265391 is obsolete and replaced by 56265411



05-6

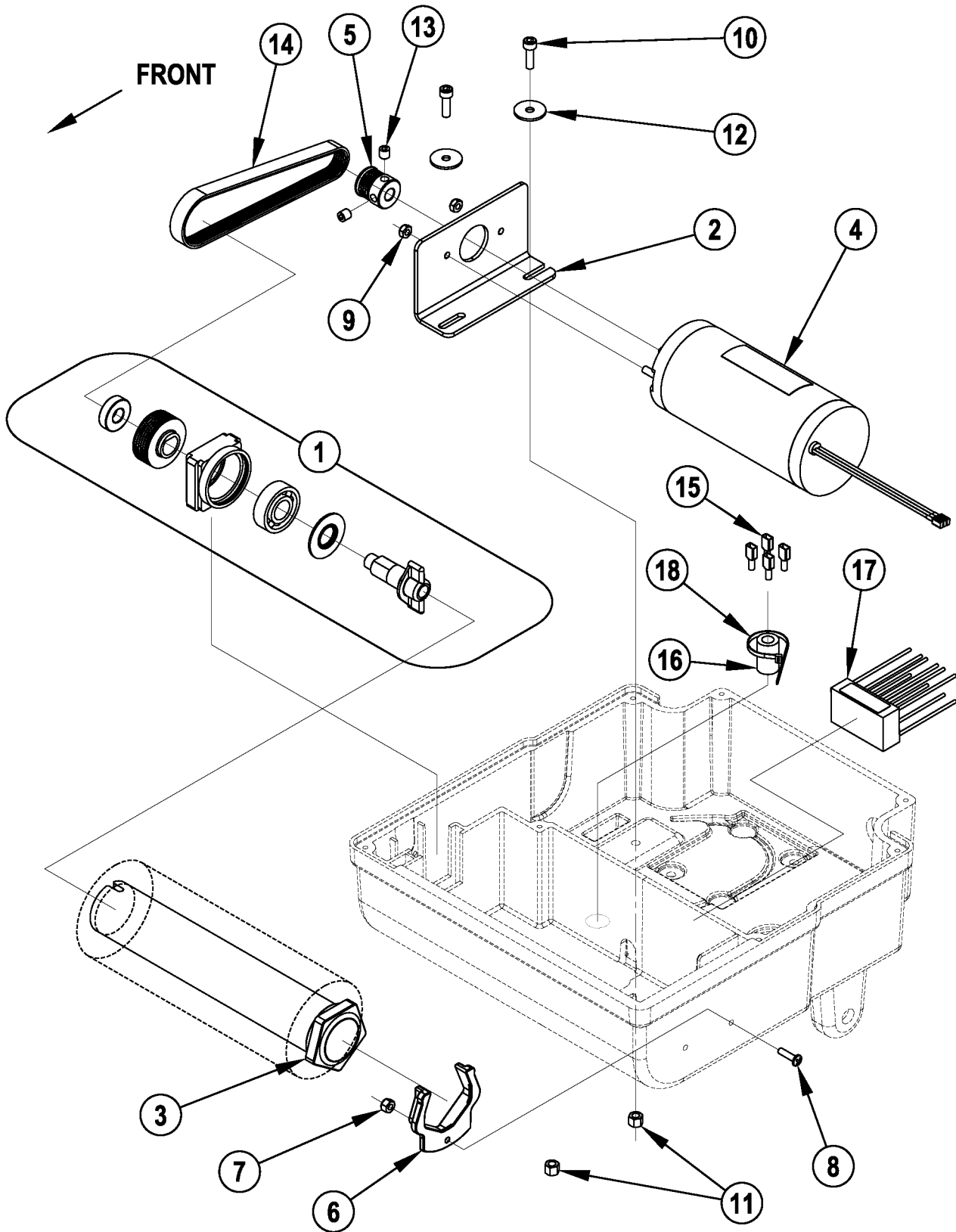
BASE SYSTEM

09-7

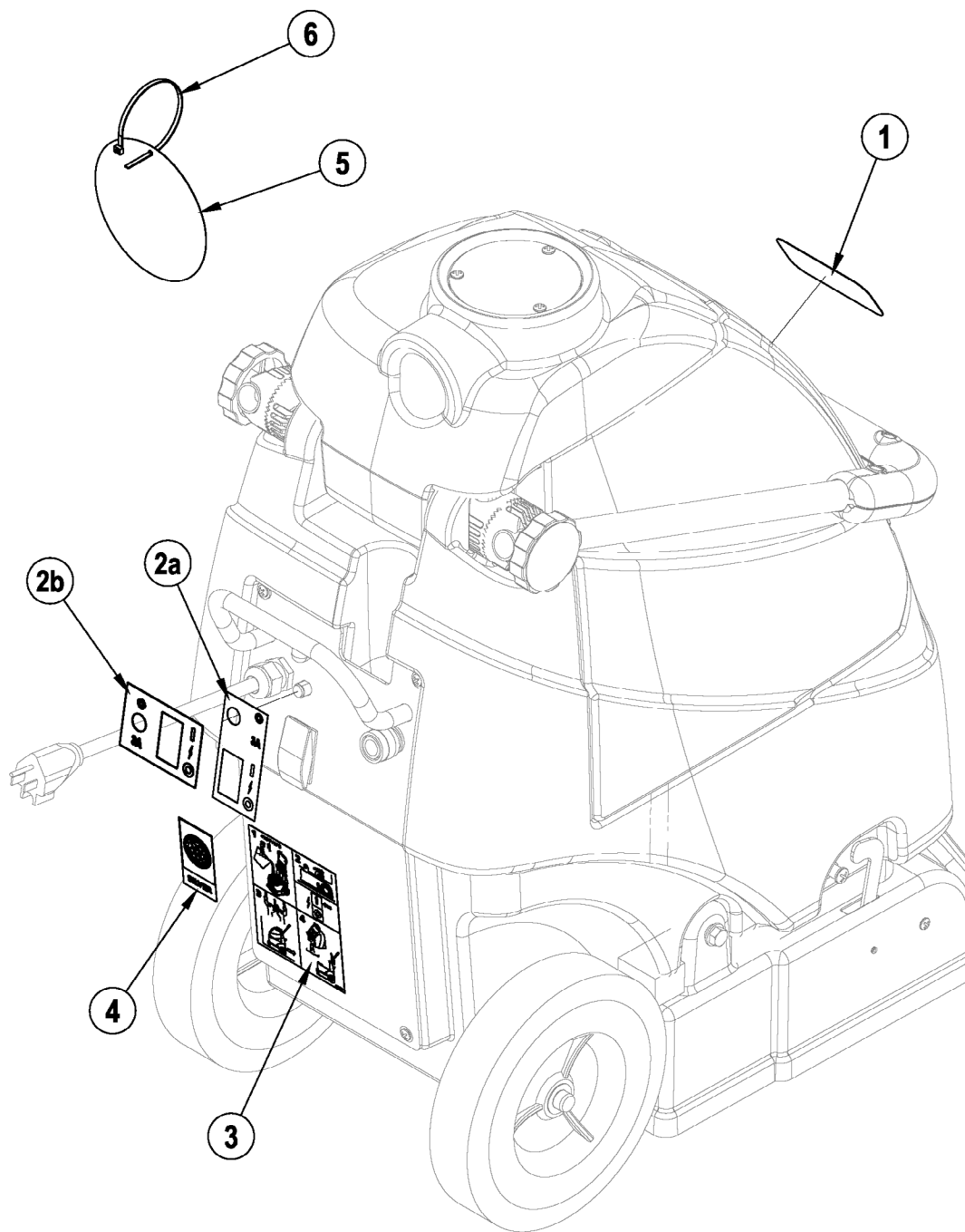
Xtrac**5**

| Item | Ref. No. | Qty | Description |
|------|----------|-----|---|
| 1 | 56265393 | 2 | Bushing .31 x .50 x 1.18 |
| 2 | 56264382 | 1 | Adaptor, Barbed |
| 3 | 56002082 | 1 | Pin, Spr .19 x 1.00 |
| 4 | 56002836 | 2 | Nut, Hex Nyl Loc SS 10-24 |
| 5 | 56002938 | 2 | Wsh, Flt SAE SS 5/16 |
| 6 | 56003272 | 1 | Nut, Hex Jam SS 5/8-11 |
| 7 | 56003333 | 2 | Scr, Hex SS 5/16-18 x 1.75 |
| 8 | 56003545 | 2 | Scr, Pan Phil Plastite 8-10 x .75 |
| 9 | 56003611 | 2 | Scr, Pan Phil SS 10-24 x .88 |
| 10 | 56003711 | 7 | Scr, Pan Phil SS Plastite 10-14 x .62 |
| 11 | 56009205 | 2 | Wsh, Flt SS .219 x .500 x .047/.062 |
| 12 | 56050955 | 1 | Grommet |
| 13 | 56219932 | 2 | Clamp, Hose SAE #6 |
| 14 | 56260071 | 1 | Terminal Block |
| 15 | 56265051 | 1 | Pump 115V |
| 16 | 56265103 | 1 | Rectifier, 35 Amp |
| 17 | 56265342 | 1 | Base Panel |
| 18 | 56265343 | 1 | Valve, Nozzle Assembly (items 29-36) |
| 19 | 56265358 | 1 | Base, 12 |
| 20 | 56265367 | 1 | Gasket, Base Panel |
| 21 | 56265373 | 1 | Hose, 1/4 x 21.00L |
| 22 | 56265377 | 1 | Hook, Base |
| 23 | 56756364 | 2 | Clamp, Hose SAE #4 |
| 24 | 56265245 | 1 | Hose |
| 25# | 56109565 | 1 | Barb, Adapter 1/2 x 3/8NPT TSBUS2007-961-1 |
| 26 | 56265323 | 1 | Muffler Set |
| 27 | 56265399 | 4 | Grommet |
| 28 | 56369632 | 1 | Elbow, 90 Street |
| 29 | 56265219 | 1 | Nipple, 1/4NPT x .88/1.12 |
| 30 | 56249342 | 1 | Hose, Solution |
| 31 | 56265037 | 1 | Valve, Solenoid 115V TSBUS2007-966 |
| 32 | 56265388 | 1 | Elbow, Panel Mount |
| 33 | 56265390 | 1 | Nozzle |
| 34 | 56369632 | 1 | Elbow, 90 Street |
| 35 | 56470138 | 1 | Barb, 90 Elbow 1/4 x 1/4NPT |
| 36 | 56756364 | 2 | Clamp, Hose SAE #4 |
| 37 | 56265246 | 1 | Spring, Comp .42 x 3.00 SS |

= Revised or new since last update



| Item | Ref. No. | Qty | Description |
|------|----------|-----|---------------------------------|
| 1 | 56265204 | 1 | Bearing/Spindle Kit |
| | NA | 1 | Spindle, Drive |
| | NA | 1 | Washer, Bearing |
| | NA | 1 | Bearing, Block |
| | NA | 1 | Sheave Poly-V 6J17 |
| | NA | 1 | Bearing, Ball |
| | NA | 1 | Bearing, Ball |
| 2 | 56265344 | 1 | Bracket, Motor Tension |
| 3 | 56265340 | 1 | Brush Assembly 12 |
| 4 | 56265077 | 1 | Motor, 115V, 1/4 HP |
| 5 | 56265370 | 1 | Sheave, Poly-V |
| 6 | 56265043 | 1 | Clip, Brush Retainer |
| 7 | 56002836 | 1 | Nut, Hex Nyl Loc SS 10-24 |
| 8 | 56002894 | 1 | Scr, Pan Phil SS 10-24 x .75 |
| 9 | 56003053 | 2 | Nut, Hex Nyl Loc-Thin 10-32 |
| 10 | 56003424 | 2 | Scr, Soc SS M6-1 x 20mm |
| 11 | 56003426 | 2 | Nut, Hex Nyl Loc SS M6-1 |
| 12 | 56009060 | 2 | Wsh, Flt SS .260 x 1.000 x .074 |
| 13 | 56009131 | 2 | Scr, Soc Set Loc 5/16-18 x .31 |
| 14 | 56249040 | 1 | Belt, Poly V |



05-6

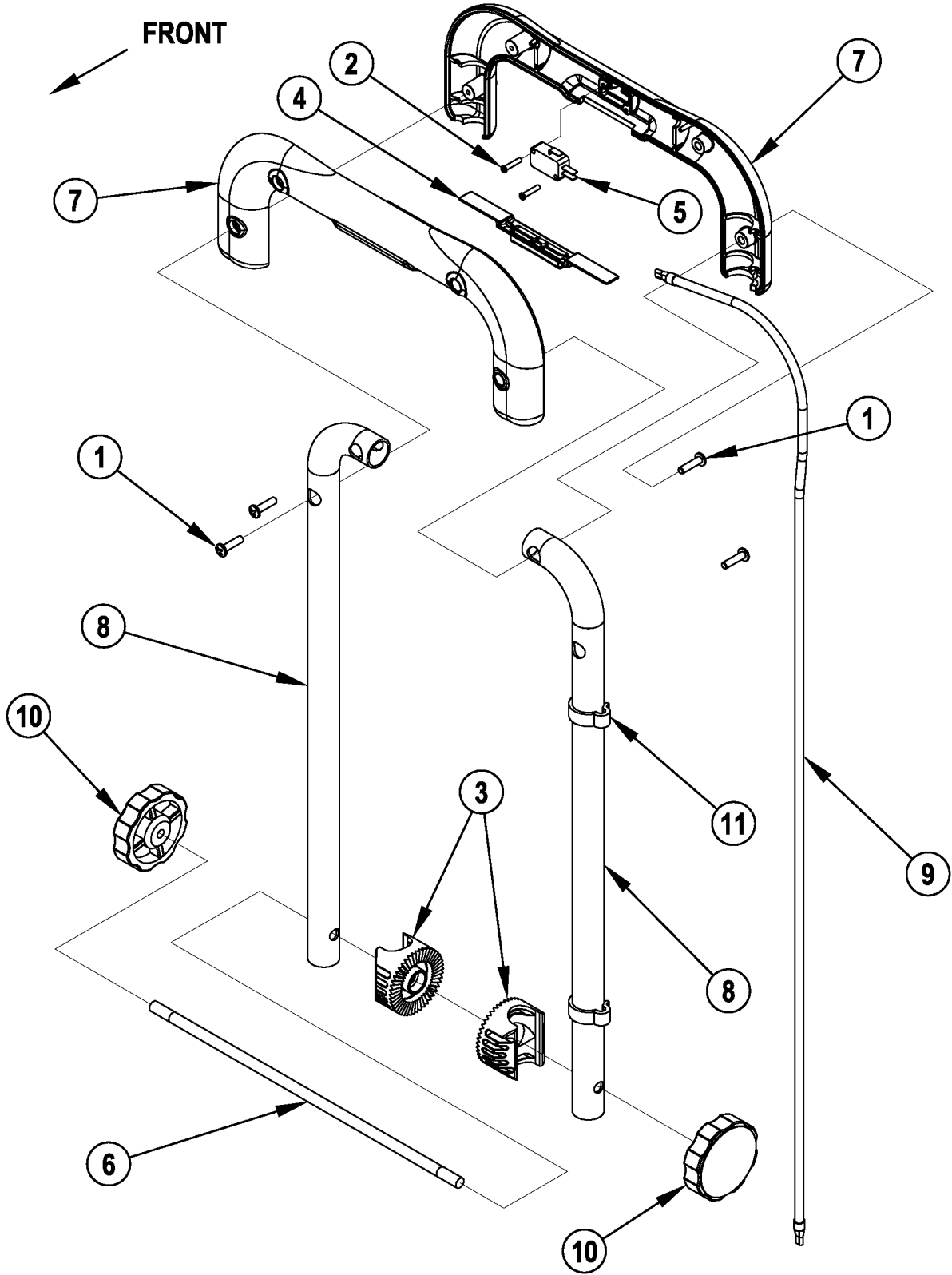
DECAL SYSTEM

08-4

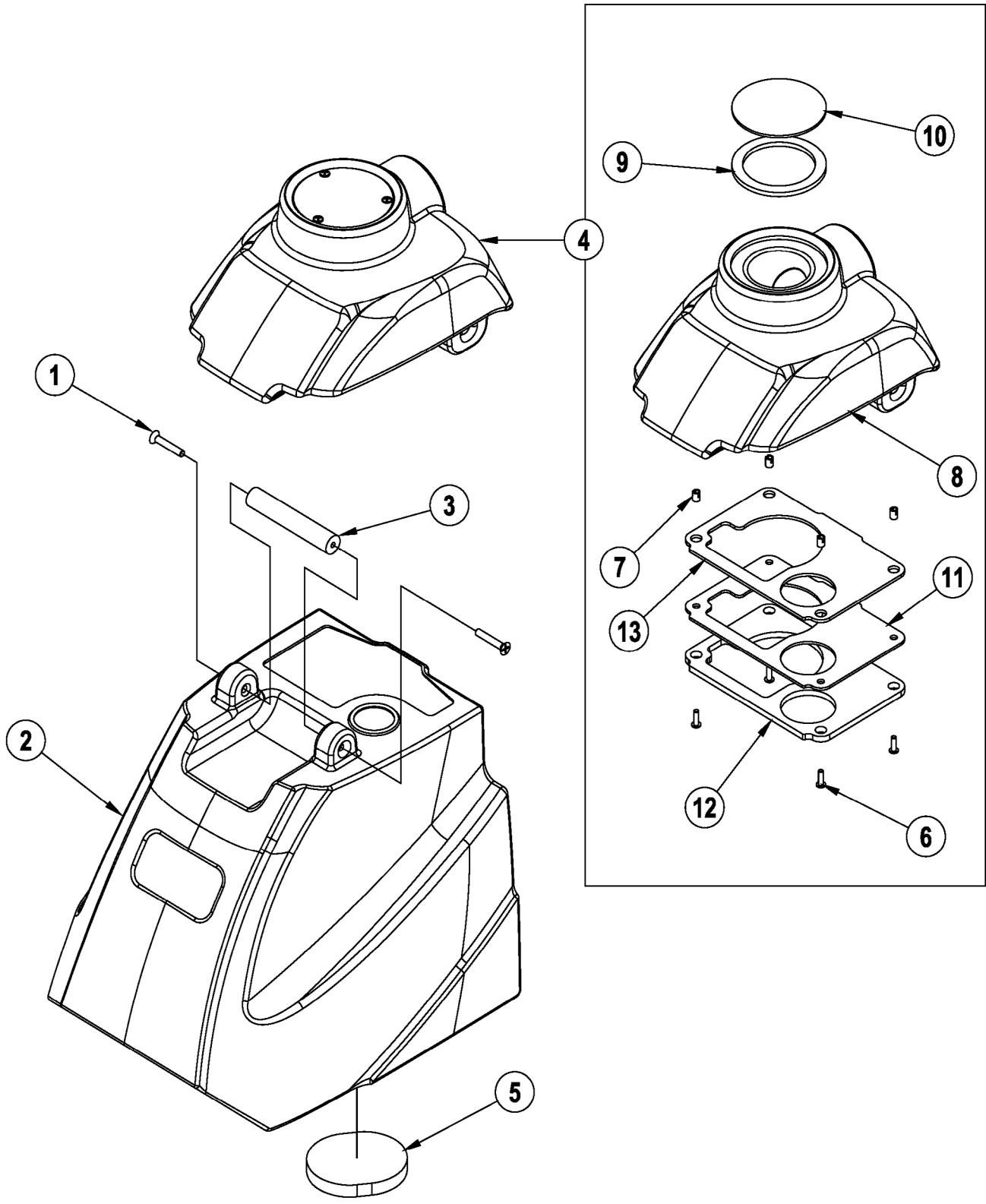
Xtrac**9**

| Item | Ref. No. | Qty | Description |
|------|----------|-----|---------------------------------------|
| 1 | 56016770 | 1 | Decal, Xtrac |
| 2a | 56265310 | 1 | Decal, Main NOTE 1 |
| 2b | 56016771 | 1 | Decal, Switch / Breaker NOTE 2 |
| 3 | 56016772 | 1 | Decal, Operation Instructions |
| 4 | 56317152 | 1 | Decal, CRI Silver |
| 5 | 56040958 | 1 | Tag, CRI |
| 6 | 56478523 | 1 | Tie, Cable |

NOTE 1: Only used after SN2011762**NOTE 2:** Only used before SN2011763



| Item | Ref. No. | Qty | Description |
|------|----------|-----|-----------------------------------|
| 1 | 56002192 | 4 | Scr, Pan Phil 10-24 x .75 |
| 2 | 56003092 | 2 | Scr, Pan Phil Plastite 4-20 x .62 |
| 3 | 56264123 | 2 | Ratchet |
| 4 | 56265053 | 1 | Button, Spray |
| 5 | 56265098 | 1 | Switch, SPDT Snapaction |
| 6 | 56265357 | 1 | Rod, Handle |
| 7 | 56265374 | 2 | Cover, Handle |
| 8 | 56265375 | 2 | Tube, Handle |
| 9 | 56265385 | 1 | Wire Assy, 20AWG/2cond |
| 10 | 56302167 | 2 | Knob |
| 11 | 56344346 | 2 | Clamp, Handle |



05-6

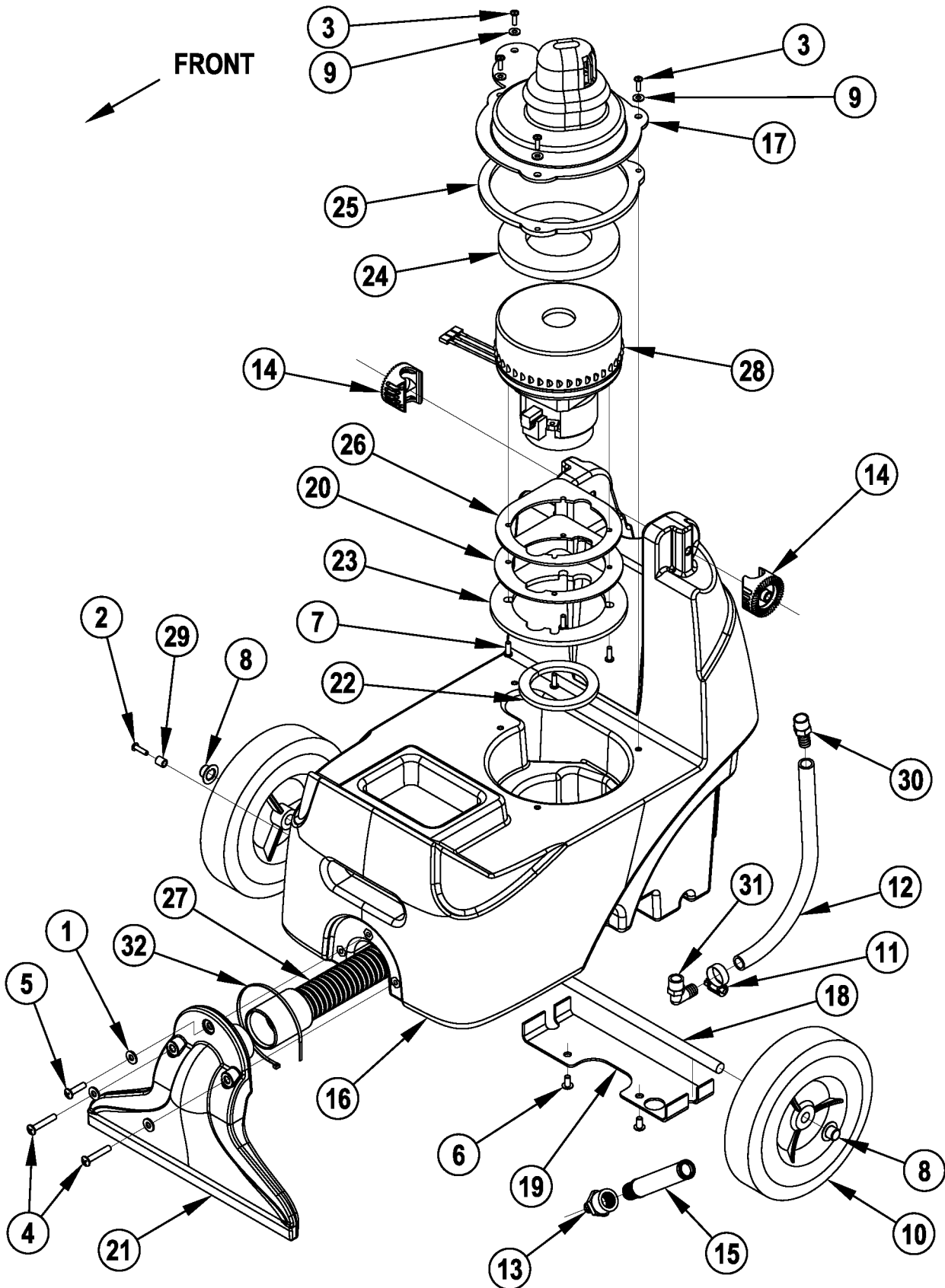
RECOVERY SYSTEM

09-7

Xtrac**13**

| Item | Ref. No. | Qty | Description |
|------|----------|-----|------------------------------------|
| 1 | 56001972 | 2 | Scr, Flt Phil 1/4-20 x 1.50 |
| 2 | 56265397 | 1 | Tank, Recovery 12 |
| 3 | 56265346 | 1 | Handle, Lid |
| 4# | 56265398 | 1 | Lid Assembly (includes items 6-13) |
| 5# | 56265244 | 1 | Filter |
| 6# | 56002896 | 4 | Scr, Pan Phil Ss 10-24 X .62 |
| 7# | 56249946 | 4 | Insert, Brass 10-24 |
| 8# | 56265396 | 1 | Lid, Recovery |
| 9# | 56265348 | 1 | Gasket, Lid Inlet |
| 10# | 56265349 | 1 | Inlet, Tank Lid |
| 11# | 56265350 | 1 | Plate, Lid |
| 12# | 56265351 | 1 | Gasket, Lid |
| 13# | 56265371 | 1 | Gasket, Lid Plate |

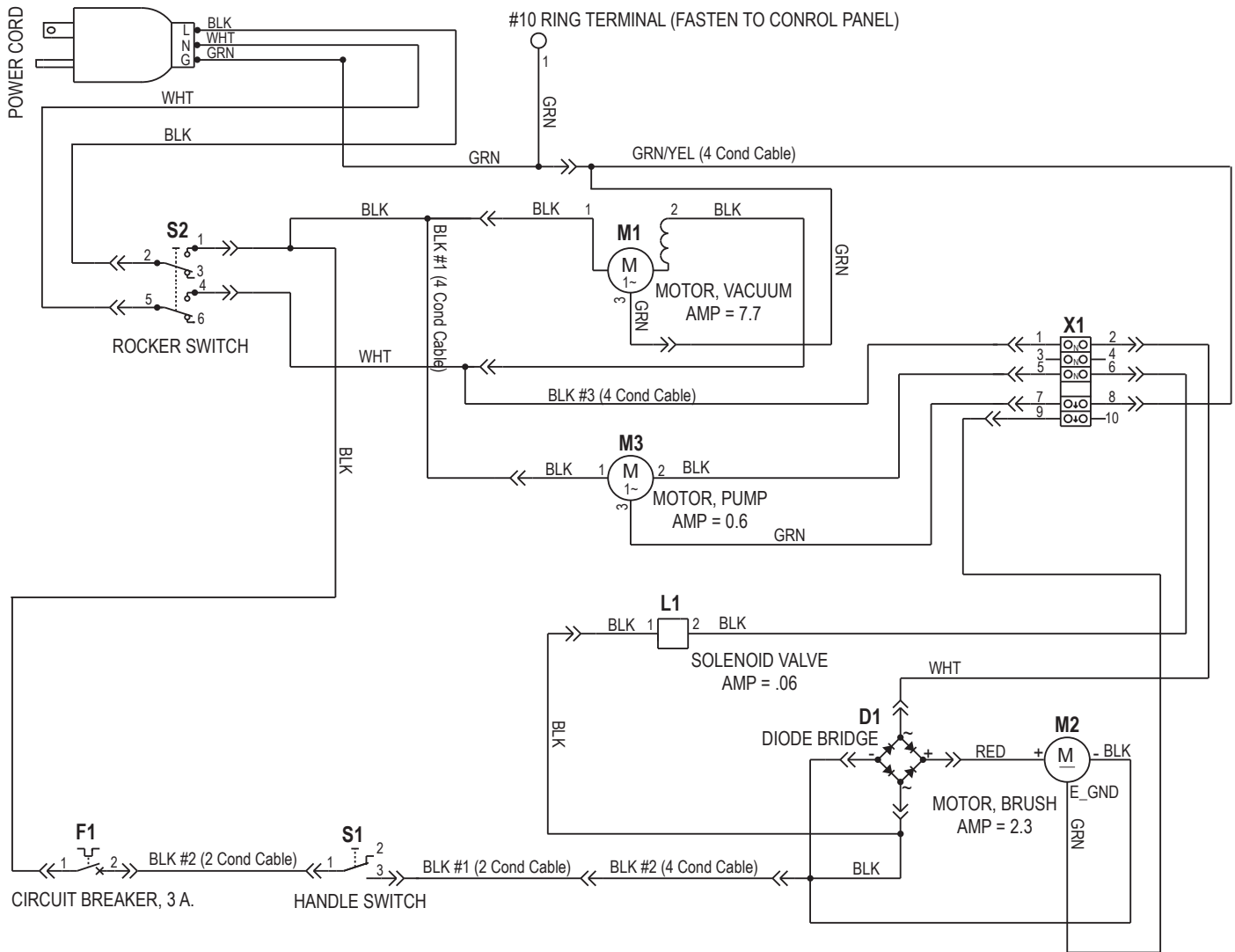
= Revised or new since last update



| Item | Ref. No. | Qty | Description |
|------|----------|-----|--|
| 1 | 56002859 | 3 | Wsh, Flt SAE SS 1/4 |
| 2 | 56002507 | 1 | Scr, Pan Phil 1/4-20 x .75 |
| 3 | 56002896 | 4 | Scr, Pan Phil SS 10-24 x .62 |
| 4 | 56002905 | 2 | Scr, Pan Phil SS 1/4-20 x 1.50 |
| 5 | 56003067 | 1 | Scr, Pan Phil SS 1/4-20 x 1.00 |
| 6 | 56003119 | 2 | Scr, Pan Phil SS 1/4-20 x .50 |
| 7 | 56003322 | 4 | Scr, Pan Phil Plastite 10-14 x .62 |
| 8 | 56009097 | 2 | Nut, Push Cap 1/2 |
| 9 | 56009205 | 4 | Wsh, Flt SS .219 x .500 x .047/.062 |
| 10 | 56210148 | 2 | Wheel |
| 11 | 56219932 | 1 | Clamp, Hose SAE #6 |
| 12 | 56244986 | 1 | Hose |
| 13 | 56262190 | 1 | Barb |
| 14 | 56264118 | 2 | Ratchet |
| 15 | 56264137 | 1 | Screen |
| 16 | 56265231 | 1 | Tank, Solution 12 |
| 17 | 56265326 | 1 | Cover, Vac Assembly |
| 18 | 56265327 | 1 | Axle |
| 19 | 56265328 | 1 | Retainer, Axle |
| 20 | 56265329 | 1 | Plate, Motor |
| 21 | 56265330 | 1 | Shoe, 12 |
| 22 | 56265334 | 1 | Gasket |
| 23 | 56265335 | 1 | Gasket |
| 24 | 56265336 | 1 | Gasket |
| 25 | 56265337 | 1 | Gasket, Vac Cover |
| 26 | 56265364 | 1 | Gasket |
| 27 | 56265372 | 1 | Vac Hose 1.50 Stretch |
| 28 | 56265380 | 1 | Vacuum Motor 115V |
| * | 56203518 | 1 | Carbon Brushes (set of 2) for use on 56265380 |
| 29 | 56321532 | 1 | Bushing .25 x .37 x .40 |
| 30# | 56109565 | 1 | Barb, Adapter 1/2 x 3/8NPT TSBUS2007-961-1 |
| 31# | 56109566 | 1 | Barb, 90 Elbow 1/2 x 3/8NPT TSBUS2007-961-1 |
| 32 | 56478523 | 1 | Tie, Cable |

* = Not Shown

= Revised or new since last update



05-6

WIRING DIAGRAM

07-8

Xtrac**17**

| Item | Ref. No. | Qty | Description |
|------|----------|-----|---|
| D1 | 56265103 | 1 | Rectifier, 35 Amp |
| F1 | 56265379 | 1 | Circuit Breaker, W/Boot (3 Amp) |
| L1 | 56265037 | 1 | Valve, Solenoid 115V TSBUS2007-966 |
| M1 | 56265380 | 1 | Motor Vacuum, 115V |
| * | 56203518 | 1 | Carbon Brushes (set of 2) for use on 56265380 |
| M2 | 56265077 | 1 | Motor, Brush 115 VDC, 1/4 HP |
| M3 | 56265051 | 1 | Motor, Pump 115V |
| S1 | 56265098 | 1 | Switch, Handle (Solution/Brush) |
| S2 | 56265107 | 1 | Switch, Rocker (Power) |
| * | 56265383 | 1 | Wire Assy, Rectifier Blk |
| * | 56265384 | 1 | Wire Assy, Rectifier Wht |
| * | 56265385 | 1 | Wire Assy, 20 AWG/2 Cond |
| * | 56265386 | 1 | Wire Assy, 16 AWG/4 Cond |
| | 56265356 | 1 | Power Cord |

* = Not Shown

Euroclean
14600 21st Avenue North
Plymouth, MN, 55447-3408
www.kenturoclean.com
Phone: 800-334-1083
Fax: 866-261-4779
©2009 Euroclean