

# Spare parts list

(10928030) Zephyr

2006 12

59707300

**EN**



## **CONTENT LIST**

### **1.0 APPLIANCE - PIECE PARTS**

**1.1 APPLIANCE TOP PART**

**1.2 APPLIANCE BOTTOM**

### **2.0 STEAM DRUM**

### **3.0 WATER TANK**

**3.1 WATER TANK**

**3.2 VIBRATING PISTON PUMP**

### **4.0 ACCESSORIES**

**4.1 STEAM HOSE**

**4.2 EXTENSION**

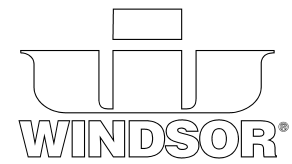
**4.3 BRUSHES**

**4.4 NOZZLE**

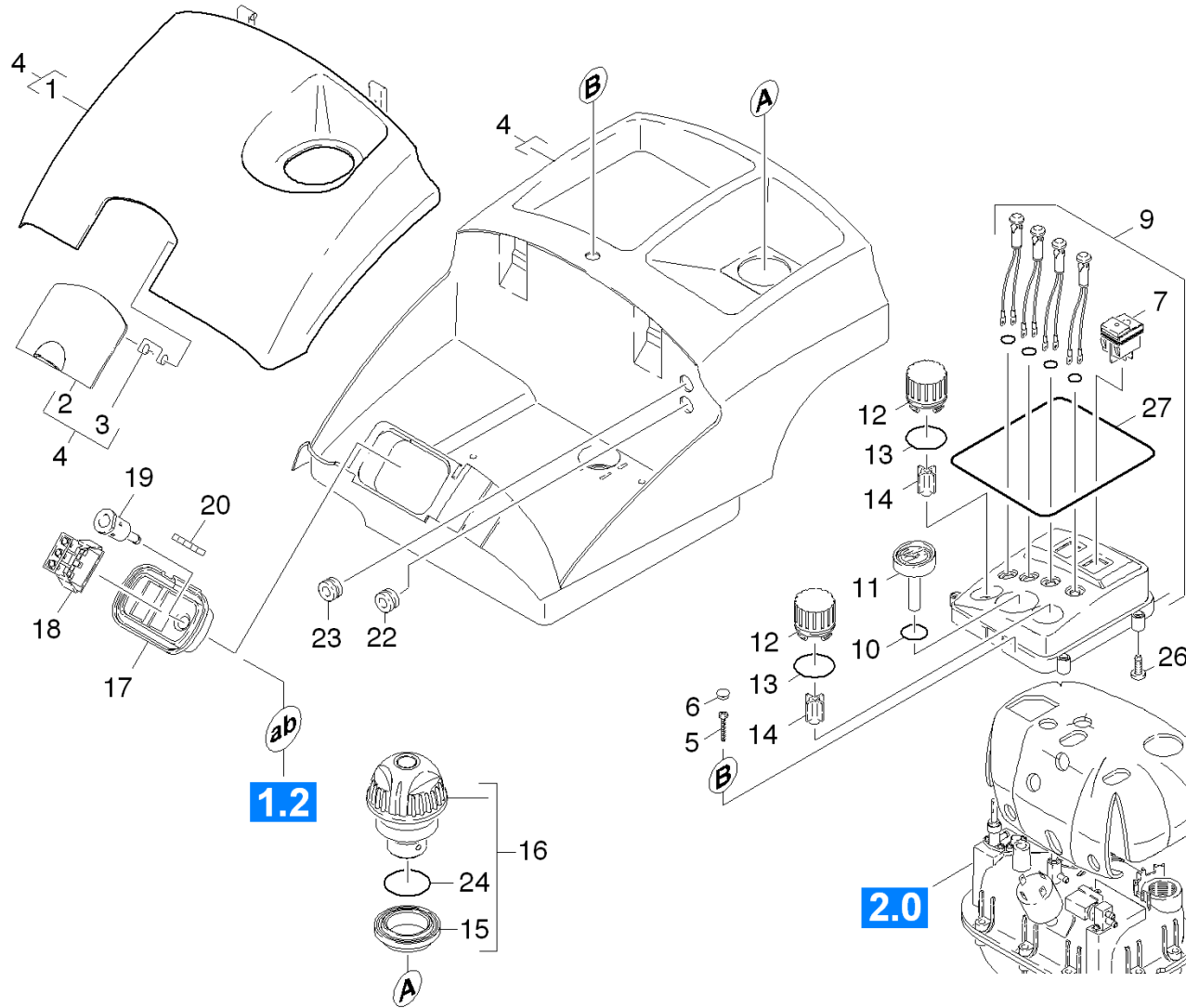
## 1.0 APPLIANCE - PIECE PARTS

1.1 APPLIANCE TOP PART

1.2 APPLIANCE BOTTOM



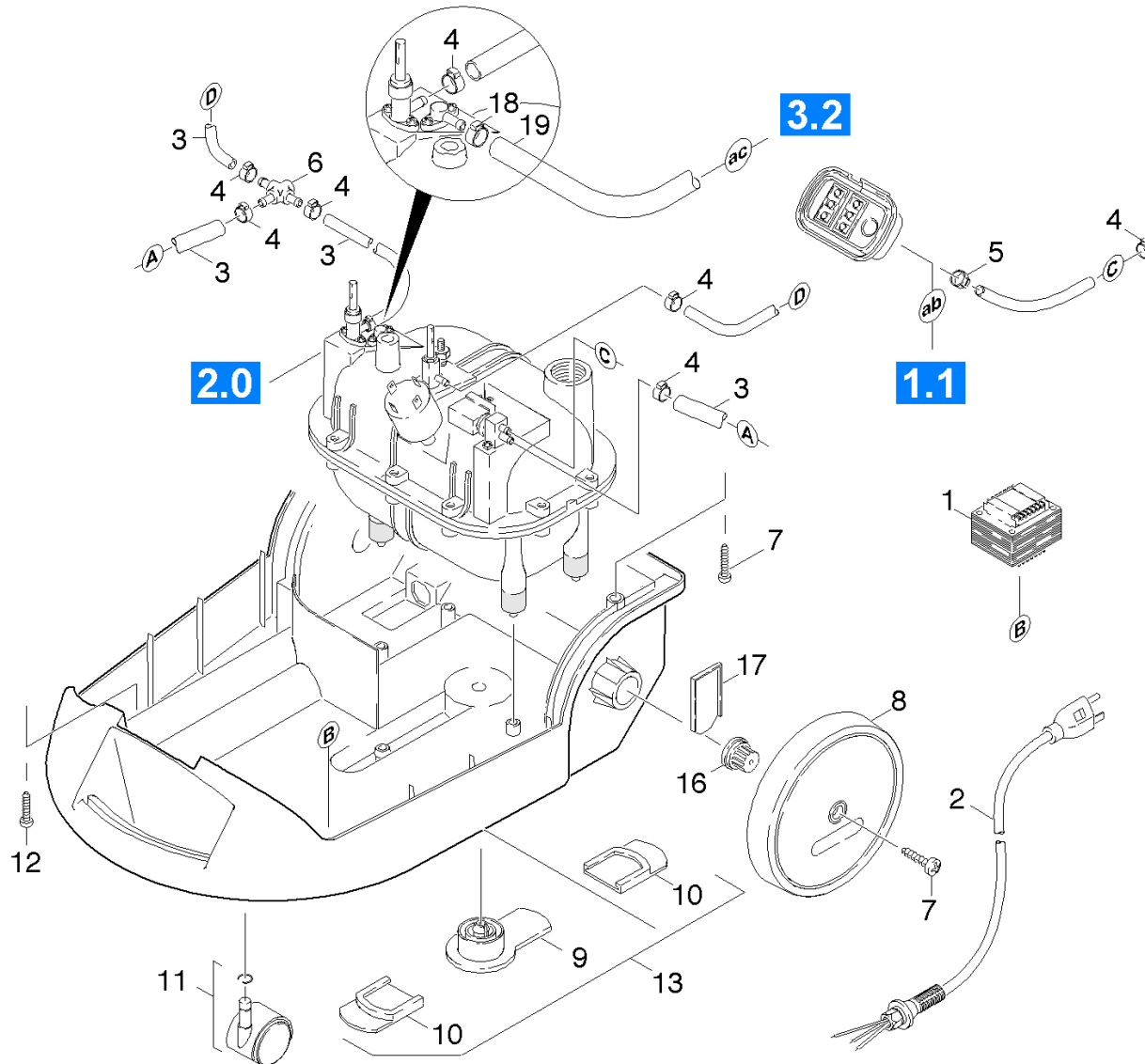
# 1.1 APPLIANCE TOP PART



## 1.1 APPLIANCE TOP PART

POS	DESCRIPTION ADDITIONAL INFORMATIONS	PART NO	QTY.	FROM SER.NR.	UP TO SER. NR.
1	Cover blue	50681990	1		
2	Cover blue	50642800	1		
3	Rotaring spring cover	53323430	1		
4	Housing kit blue - Zephyr n.f.Ersatz	40663700	1		
5	Screw 5x25-IN6RD	63032000	1		
6	Cap	50314050	1		
7	SWITCH	66319890	2		
9	SWITCH DESK KPL.	48400160	1		
10	GASJKET	63624110	1		
11	THERMOSTAT GAUGE	64230640	1		
12	Turning knob	53215290	2		
13	O RING	63625220	2		
14	Handhold turret	53214850	2		
15	Seal	53635370	1		
16	SAFETY LOCK	45900860	1		
17	SOCKET	50312620	1		
18	Plug socket element black	66001050	1		
19	NIPPLE	54095140	1		
20	SEAL	53633640	1		
22	BUSH	66414020	1		
23	CABLE GLAND	66478810	1		
24	GASKET	63629270	1		
25	HEAT MASTER PASTE	62801750	1		
26	Screw 4x 12-ST-10.9-R2R (IN6RD)	73030950	4		
27	Seal	53633470	1		

## 1.2 APPLIANCE BOTTOM

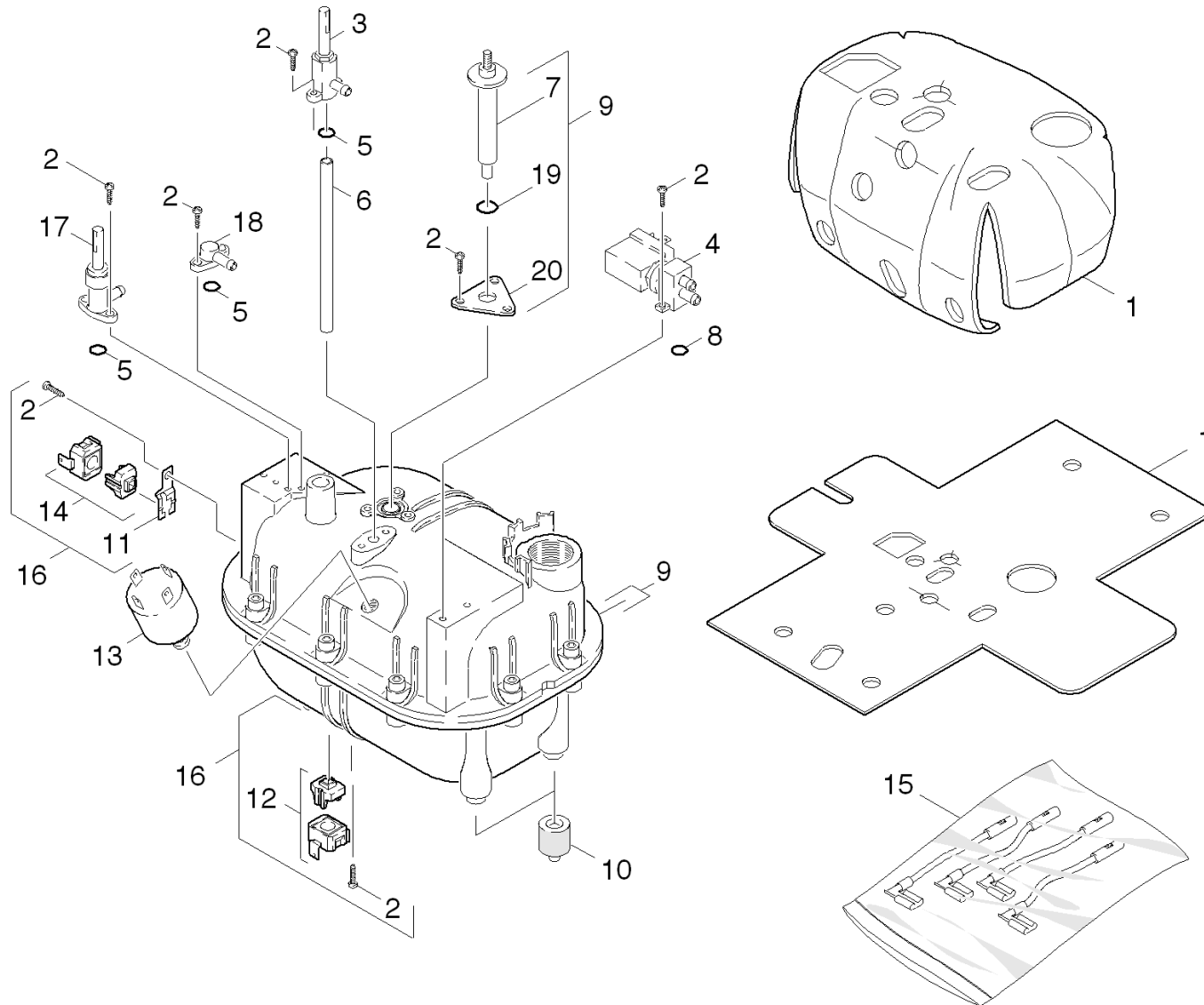


## 1.2 APPLIANCE BOTTOM

POS	DESCRIPTION ADDITIONAL INFORMATIONS	PART NO	QTY.	FROM SER.NR.	UP TO SER. NR.
1	TRANSFORMER	66222070	1		
2	CABLE M.STECK. 120V	66477910	1		
3	Hose 4x1,5 TO ORDER AS CUT GOODS	63898620	1		
4	HOSE BAND CLIP	63899930	7		
5	Hose clip 8,5-10,0	63898820	1		
6	T-Piece	69060230	1		
7	Screw 5x25-IN6RD	63032000	4		
8	RUNNING WHEEL	55151080	2		
9	LEVER	54812060	1		
10	EXTENSION HEBEL	54812000	2		
11	CASTOR	64352500	1		
12	M4 .2X13 DIN 7981 TORX T15 PAN HD HI/LO	63031220	2		
13	Housing black only for replacement	40662460	1		
16	Holder-up	50314340	2		
17	PLATE	50031430	2		
18	HOSE BAND CLIP	63901620	1		
19	HOSE	69060240	1		



## 2.0 STEAM DRUM



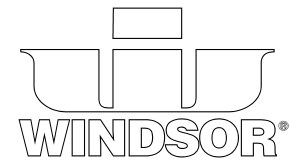
## 2.0 STEAM DRUM

POS	DESCRIPTION ADDITIONAL INFORMATIONS	PART NO	QTY.	FROM SER.NR.	UP TO SER. NR.
1	Insulating	56731190	1		
2	Screw M4x12 -St-R2R (In6Rd)	73030320	13		
3	VALVE	66860060	1		
4	VALVE	66860080	1		
5	GASKET	63621860	3		
6	Tube hotwater	50331030	1		
7	PROBE	51072040	1		
8	GASKET	63626330	1		
9	Pressure tank 120V	40703330	1		
10	Rubber buffer	57670060	4		
12	LOW WATER CUT OUT	66319910	1		
13	Pressure controller	64122800	1		
14	THERMOSTAT	66319900	1		
15	Cable set repair *	66486400	1		
16	Spare parts set thermostat	47441100	1		
17	VALVE	66860660	1		
18	ANGLE PIECE	54025800	1		
19	GASKET	63630320	1		
20	Plate holder probe	50019060	1		

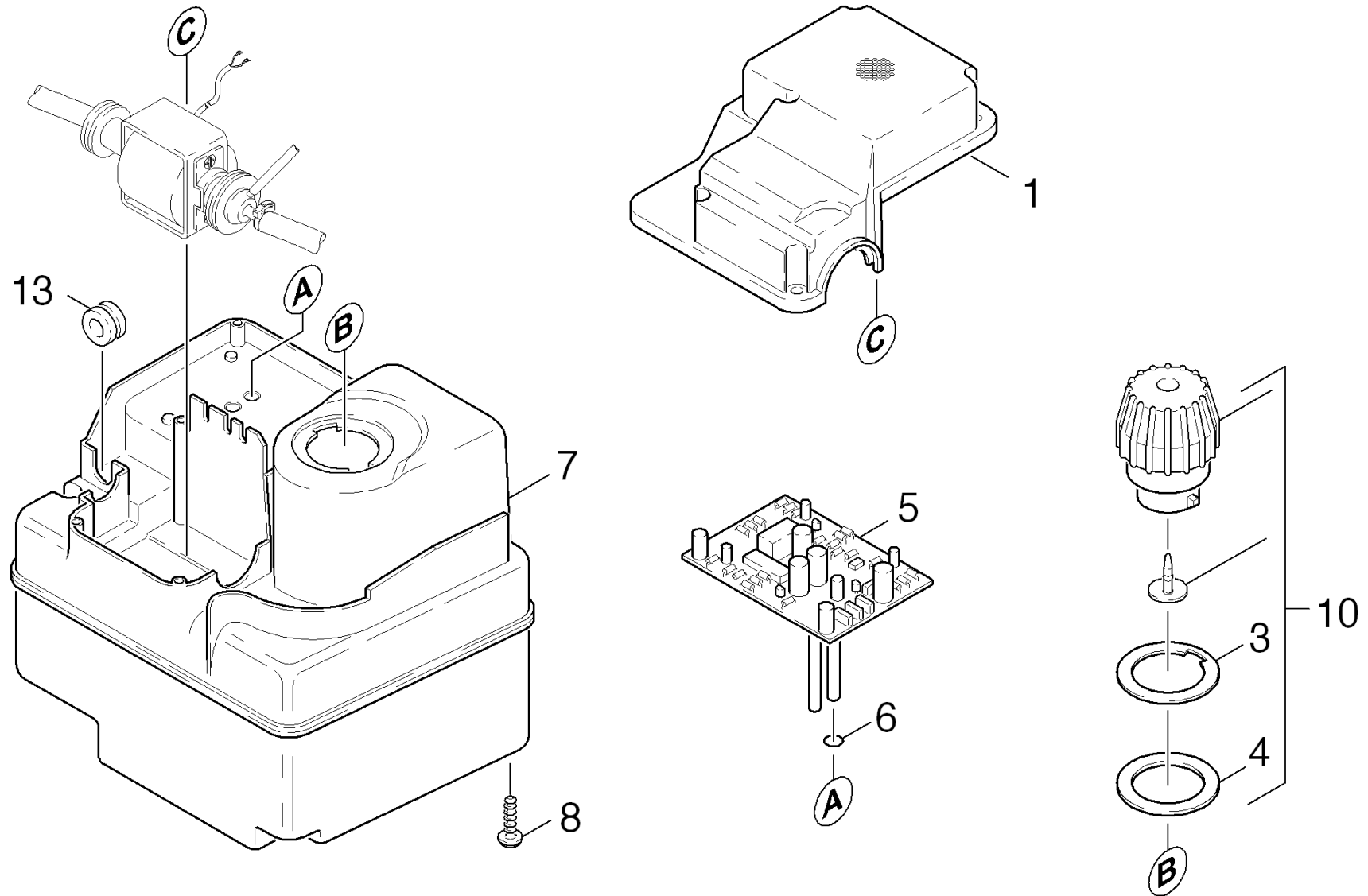
## 3.0 WATER TANK

3.1 WATER TANK

3.2 VIBRATING PISTON PUMP



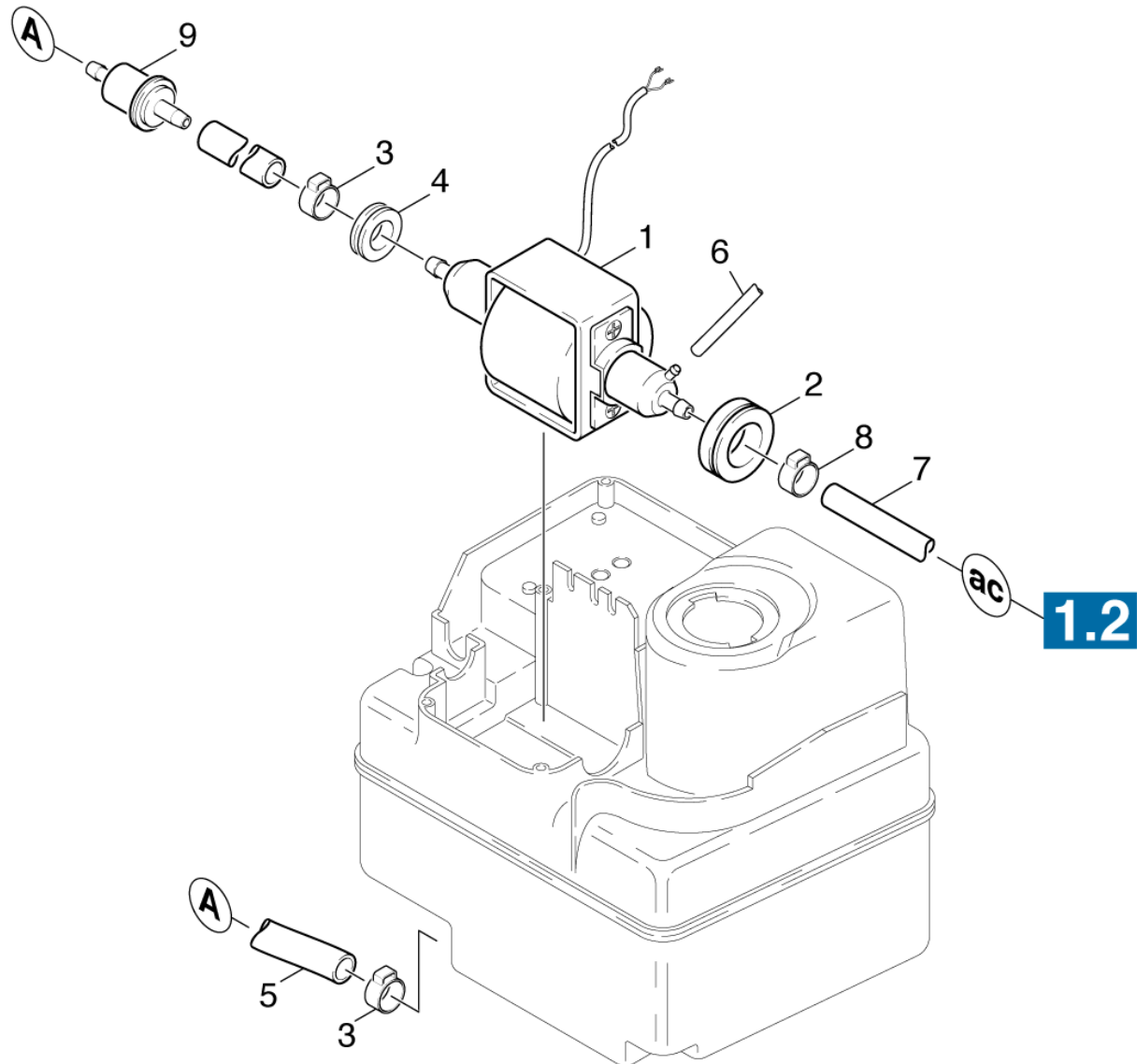
### 3.1 WATER TANK



### 3.1 WATER TANK

POS	DESCRIPTION <a href="#">ADDITIONAL INFORMATIONS</a>	PART NO	QTY.	FROM SER.NR.	UP TO SER. NR.
1	COVER	50638370	1		
3	WASHER	51156960	1		
4	Joint ring 40	53633680	1		
5	Electronics	48392270	1		
6	O RING	63624010	2		
7	TANK	50705150	1		
8	Screw 3,5x 13	63032700	7		
10	Closure box	40750100	1		
13	BUSH	66414020	1		

## 3.2 VIBRATING PISTON PUMP

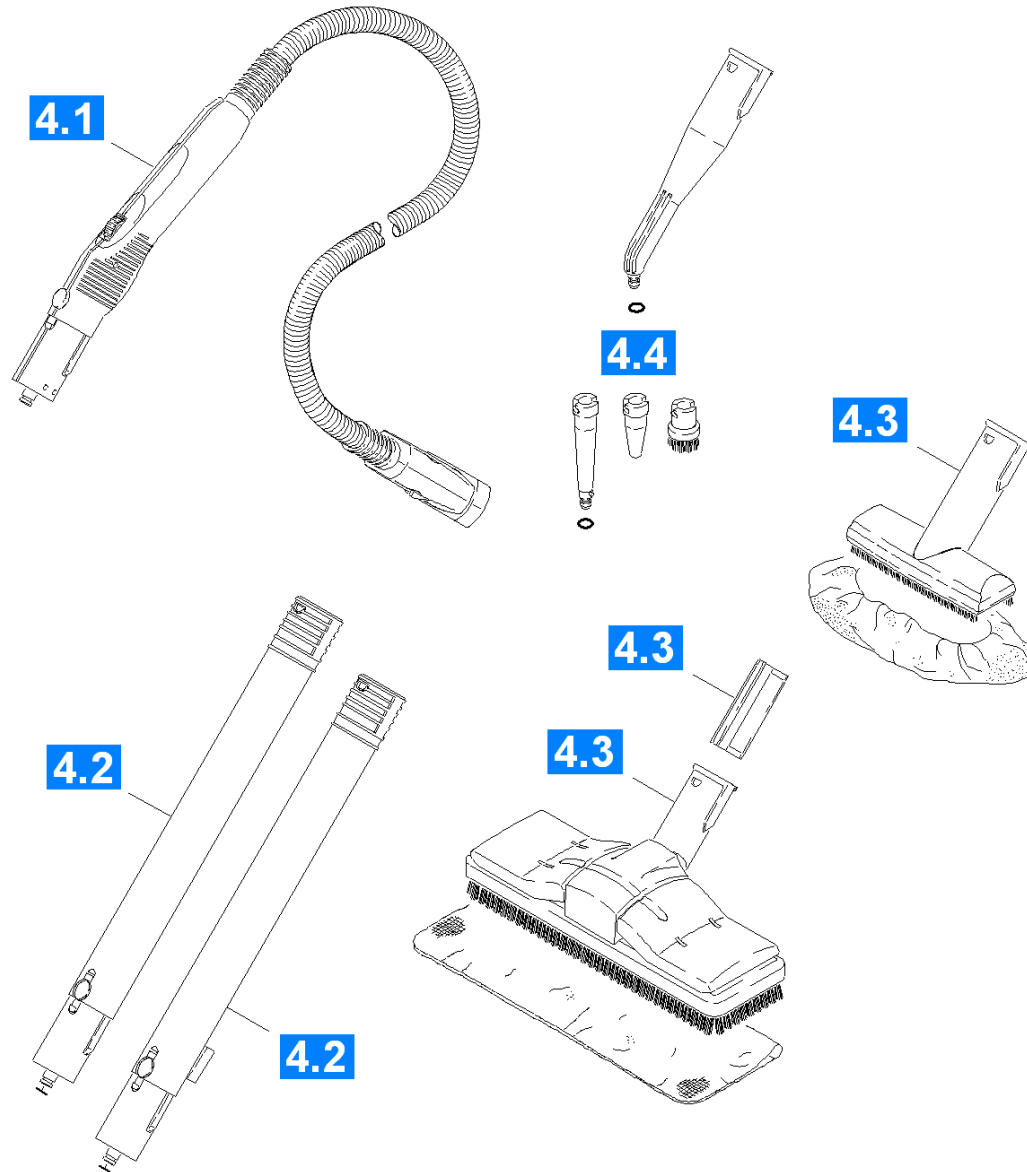


## 3.2 VIBRATING PISTON PUMP

POS	DESCRIPTION ADDITIONAL INFORMATIONS	PART NO	QTY.	FROM SER.NR.	UP TO SER. NR.
1	MOTOR-DRIVEN PUMP 120V	64733780	1		
2	Joint ring 30	53634320	1		
3	HOSE BAND CLIP	63899930	2		
4	Joint ring 21	53633660	1		
5	Hose 4x1,5 TO ORDER AS CUT GOODS	63898620	1		
6	Hose D 3 x 1,35 TO ORDER AS CUT GOODS	63902870	1		
7	HOSE	69060240	1		
8	HOSE BAND CLIP	63901620	1		
9	Filter fine dust	64144390	1		

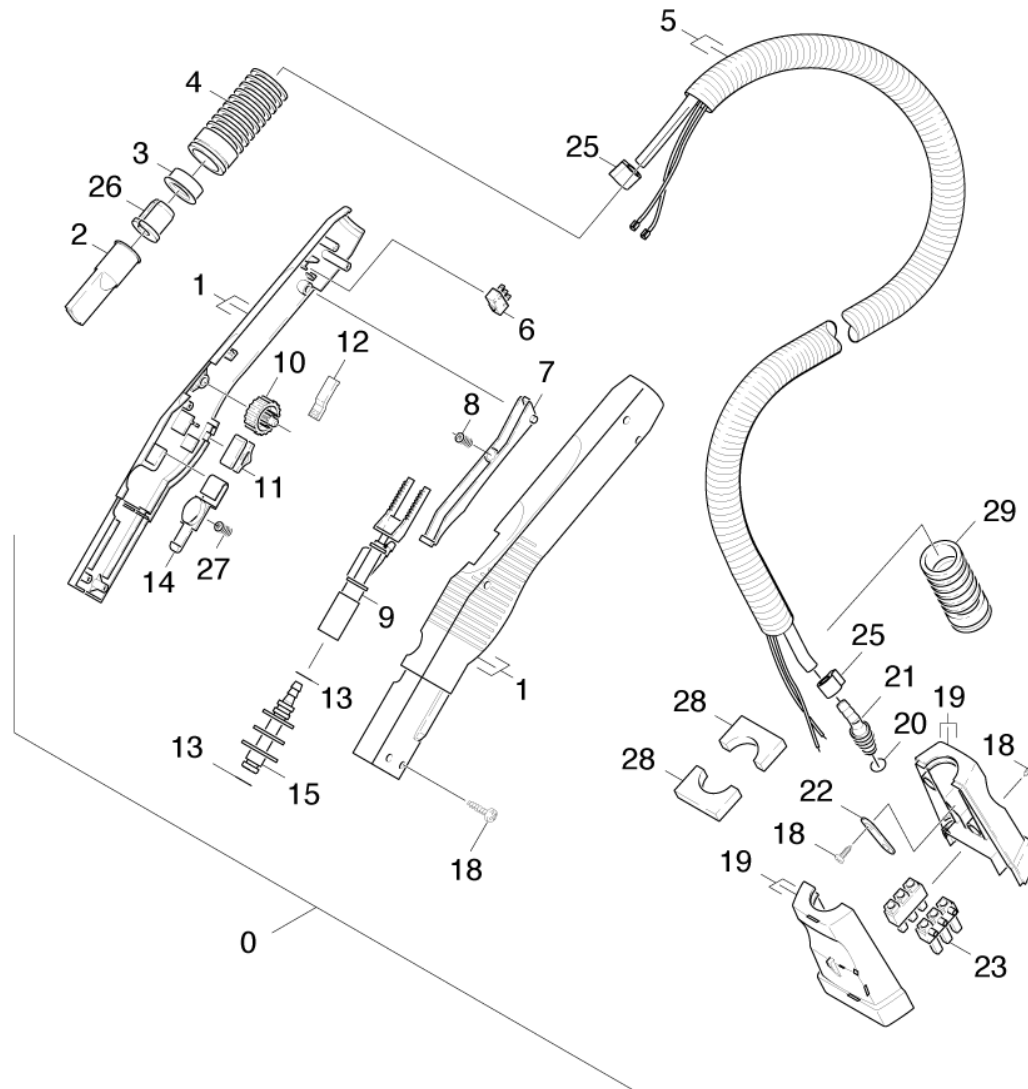
## 4.0 ACCESSORIES

- 4.1 STEAM HOSE
- 4.2 EXTENSION
- 4.3 BRUSHES
- 4.4 NOZZLE





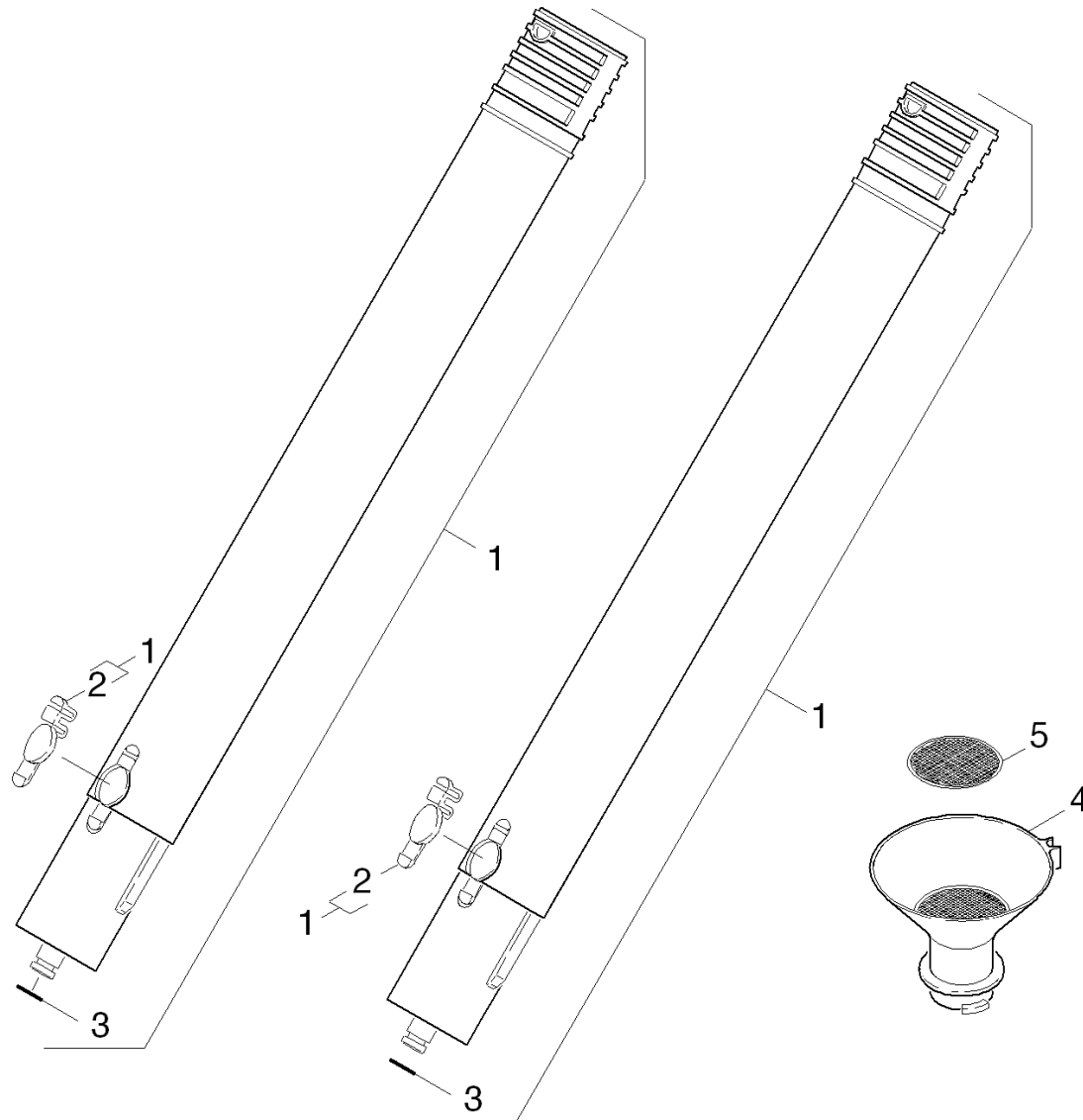
## 4.1 STEAM HOSE



## 4.1 STEAM HOSE

POS	DESCRIPTION ADDITIONAL INFORMATIONS	PART NO	QTY.	FROM SER.NR.	UP TO SER. NR.
0	STEAM HOSE	43211140	1		
1	Handhold few black	53215960	1		
2	DIAPHRAGM	53670240	1		
3	RING	53670250	1		
4	PROTECTION PART	53945360	2		
5	HOSE	44406030	1		
6	Short-stroke button	66318020	1		
7	CALIPERS (Schalter)	53240640	1		
8	Pressure spring	53321680	1		
9	VALVE KPL	45803680	1		
10	Hand wheel yellow	53220140	1		
11	BOLT	50324520	1		
12	SCREEN	50311250	1		
13	O RING	63629220	2		
14	Hook yellow	50371550	1		
15	Coupling element	54711090	1		
18	Screw 3x12 -10.9-R2R (K-In6Rd)	73030920	10		
19	PLUG (Schalen)	50327800	1		
20	GASKET	63629230	1		
21	NIPPLE	54095150	1		
22	PULL RELIEF	66475130	1		
23	PLUG ELEMENT	66463250	2		
25	HOSE BAND CLIP	63898840	2		
26	PULL RELIEF	50311230	1		
27	Helical spring	53323730	1		
28	Flat gasket	53641740	2		

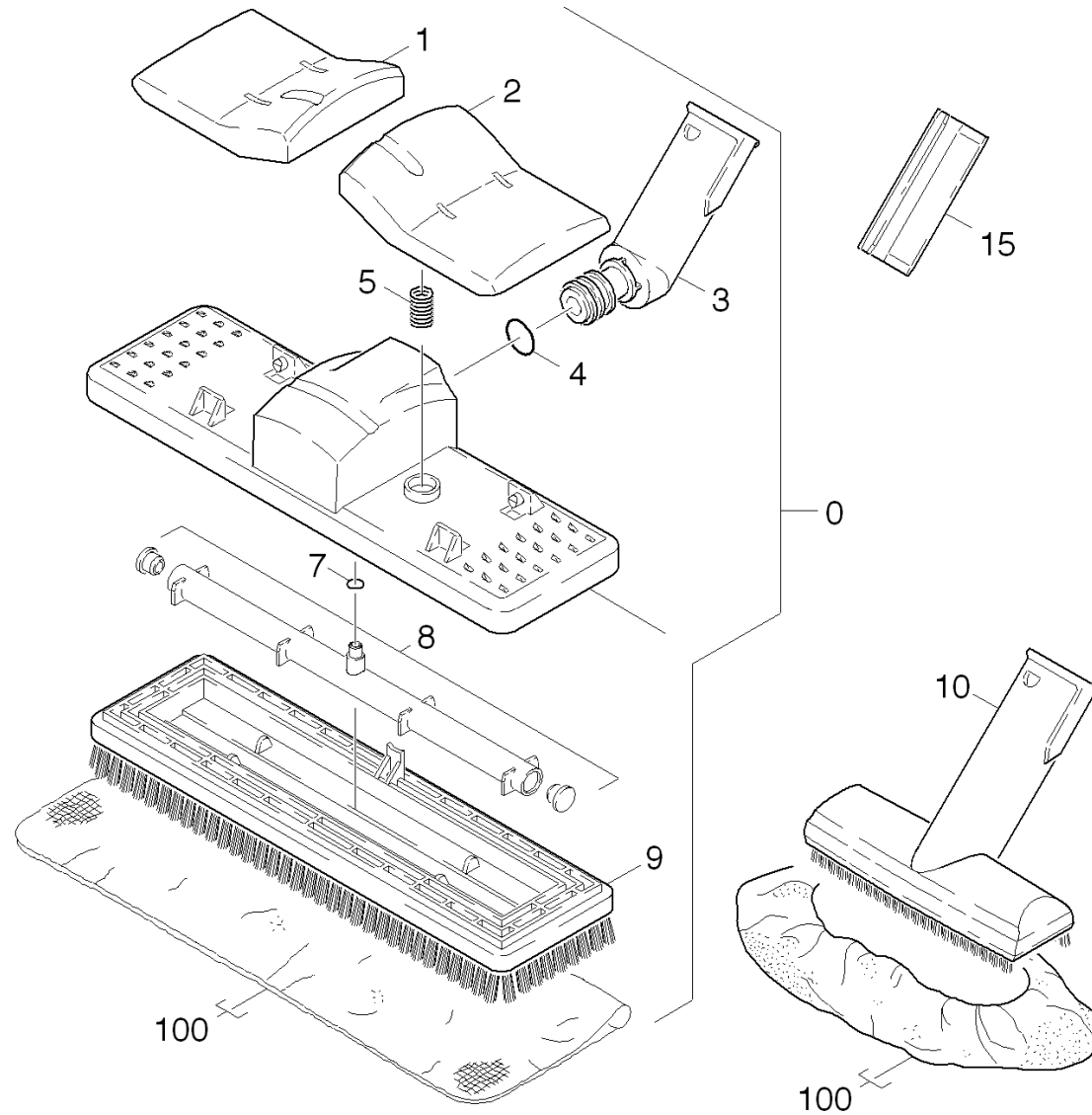
## 4.2 EXTENSION



## 4.2 EXTENSION

POS	DESCRIPTION <a href="#">ADDITIONAL INFORMATIONS</a>	PART NO	QTY.	FROM SER.NR.	UP TO SER. NR.
1	EXTENSION PIPE	41270190	2		
2	HOOK gelb	50371570	2		
3	O RING	63629220	2		
4	FUNNEL	40130260	1		
5	FILTER CARTRIDGE	57315900	1		

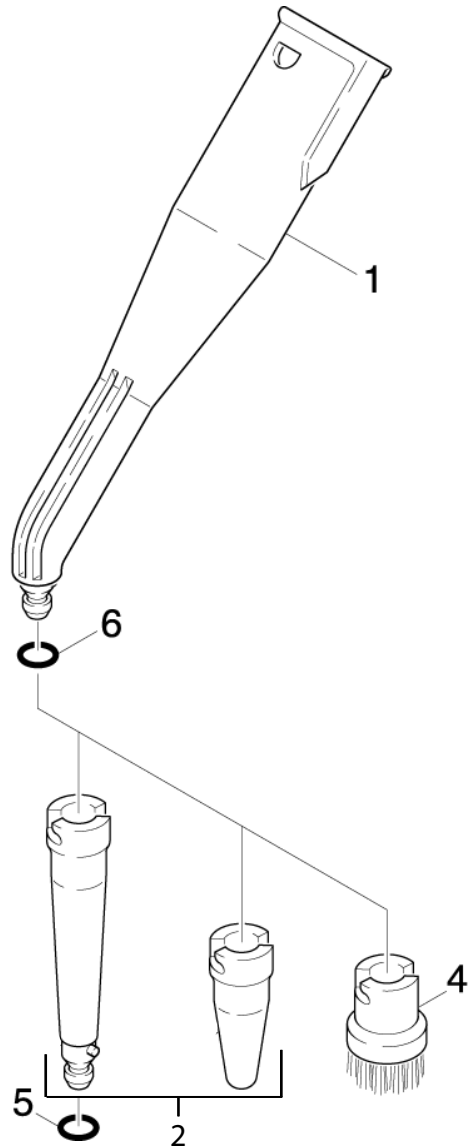
### 4.3 BRUSHES



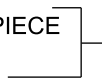
## 4.3 BRUSHES

POS	DESCRIPTION ADDITIONAL INFORMATIONS	PART NO	QTY.	FROM SER.NR.	UP TO SER. NR.
0	Floor tool complete	41301430	1		
1	Holder black	50442380	1		
2	Holder black	50442370	1		
3	ELBOW	54080580	1		
4	GASKET 18,0 X 2,5	63628830	2		
5	Spring	63300160	2		
7	GASKET 6,07X 1,78	63628810	1		
8	Nozzle body	57680380	1		
9	Brush insert black	57622370	1		
10	Hand nozzle	41301440	1		
15	Moulded part	50314670	1		
100	Cloth set	69600190	1		

## 4.4 NOZZLE



## 4.4 NOZZLE

POS	DESCRIPTION ADDITIONAL INFORMATIONS	PART NO	QTY.	FROM SER.NR.	UP TO SER. NR.
1	NOZZLE	28842810	1		
2	LENGTHENING PIECE		1		
	POWER NOZZLE 	28842820	1		
3	Open		1		
4	Bristle rink set black CuZn BRASS CONSTRUCTION	28630750	1		
4	Bristle rink set	28630770	1		
5	WASHER	63629240	1		
6	GASKET	63621860	1		