

AdVac™ 1205



PARTS LIST

Advance MODEL 56703406(Obsolete)



Advance
by Nilfisk-Advance

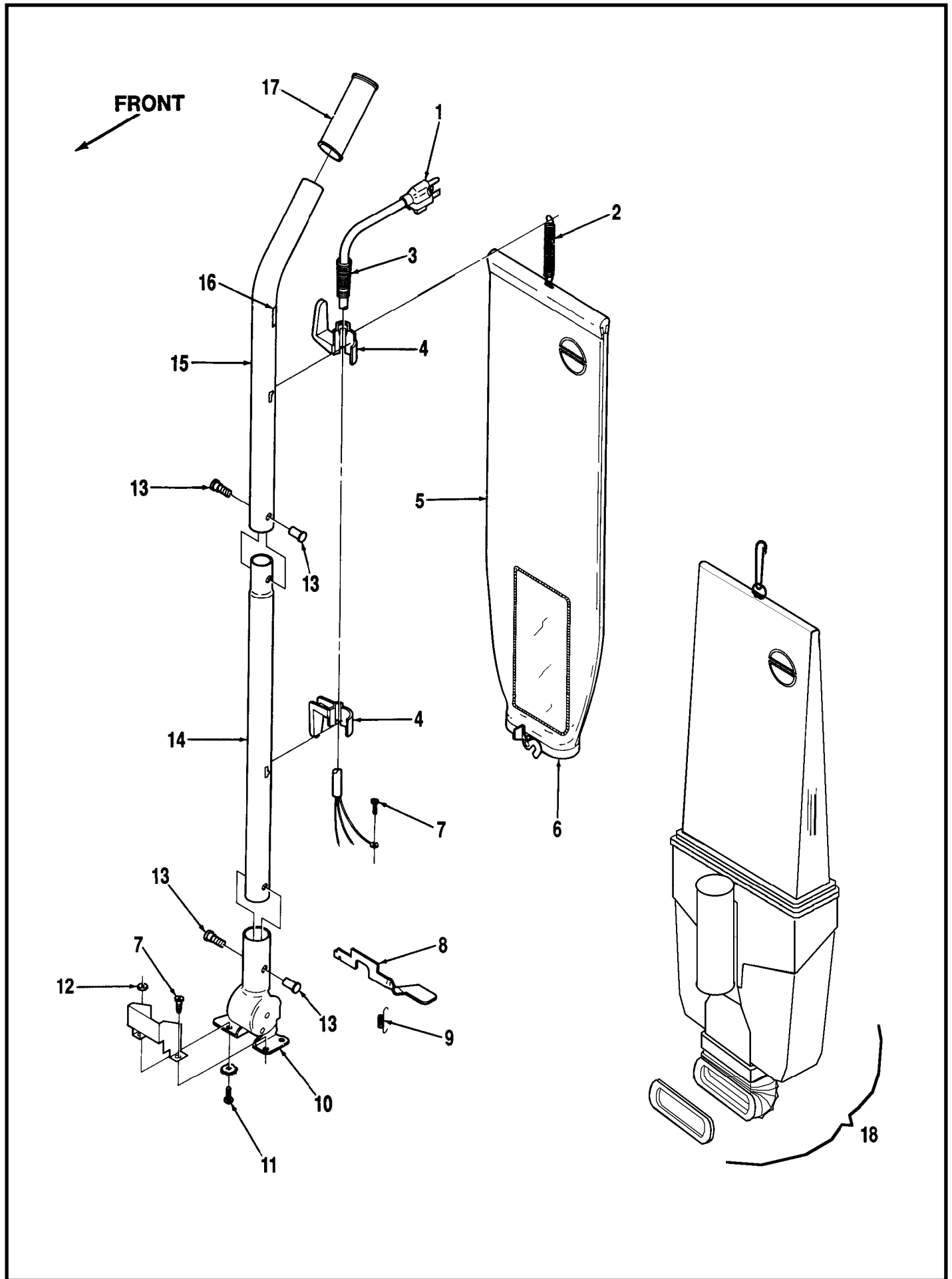
TABLE OF CONTENTS

DESCRIPTION	PAGE
Handle and Bag Assembly	1-2
Base Assembly (before SN 932324828)	3-4
Motor Assembly (before SN 932324828)	5-6
Base Assembly (after SN 932324827)	7-8
Motor Assembly (after SN 932324827)	9-10
Wiring Diagram	11

WHEN ORDERING PARTS

- * Use the 8 digit numbers from the "Ref. No." columns in this parts list.
- * Specify the model and serial number of the machine.
- * Use the space below to record the model and serial number for future reference.

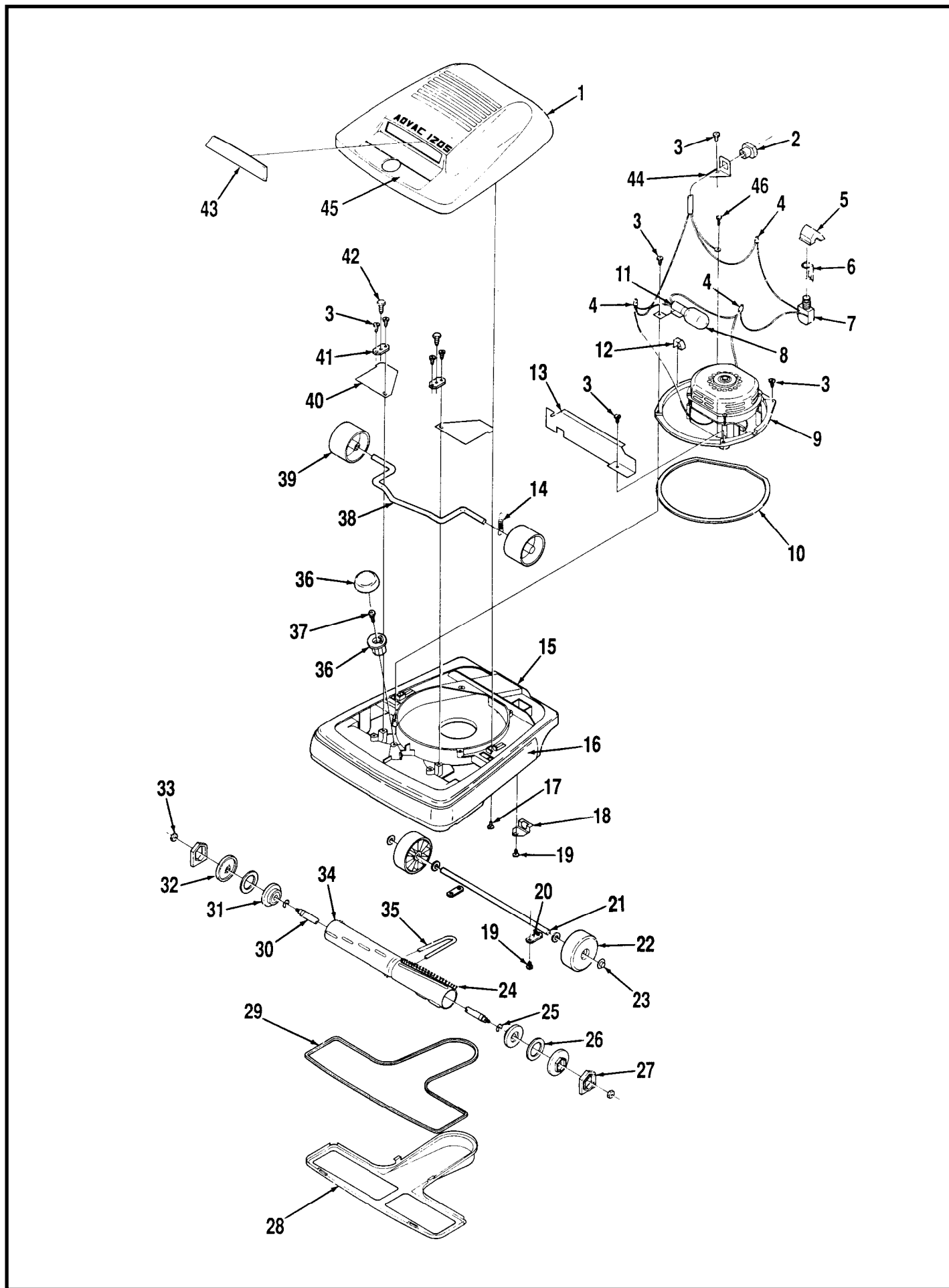
Model _____ Serial No. _____



HANDLE AND BAG ASSEMBLY

Item	Ref. No.	Qty	Description
1	56703495	1	Power Cord
2	56703513	1	Spring
3	56703503	*	Spring - pkg of 5
	56703356	1	Strain Relief Spring
4	56703490	1	Cord Hook Set
5	56703511	1	Cloth Bag Assembly - standard
	56703525	1	Zippered Cloth Bag (optional, for disposable bags only)
	56703533	*	Disposable Paper Bags - pkg of 3
	56703549	*	Disposable Paper Bags - case of 36
6	56703515	1	Bag Adapter & Gasket Assembly
	56703517	1	Gasket
	56703519	1	Rivet
	56703521	1	Washer
7	56703427	*	Screw - pkg of 10
8	56703445	1	Foot Pedal
9	56703430	*	Spring - pkg of 5
10	56703498	1	Handle Socket
11	56100032	*	Bolt - pkg of 10
12	56703497	*	Nut - pkg of 10
13	56703492	*	Handle Screw Set - pkg of 6
14	56703494	1	Lower Handle Tube
15	56703491	1	Upper Handle Assembly (#15,17)
16	56703505	1	Decal, Warning
17	56703501	1	Hand Grip
18	56703567	1	Optional Dirt Cup Kit, includes:
	56703569	1	Upper Handle Assembly
	56703571	1	Upper Cord Retainer
	56703577	1	Dirt Cup Assembly
	56703579	1	Bellows
	56703581	1	Bellows Clamp
	56703583	1	Bag Assembly
	56703585	1	Cable Clamp
	56703587	3	Screw
	56703559	1	Template

* = sold in package quantities only

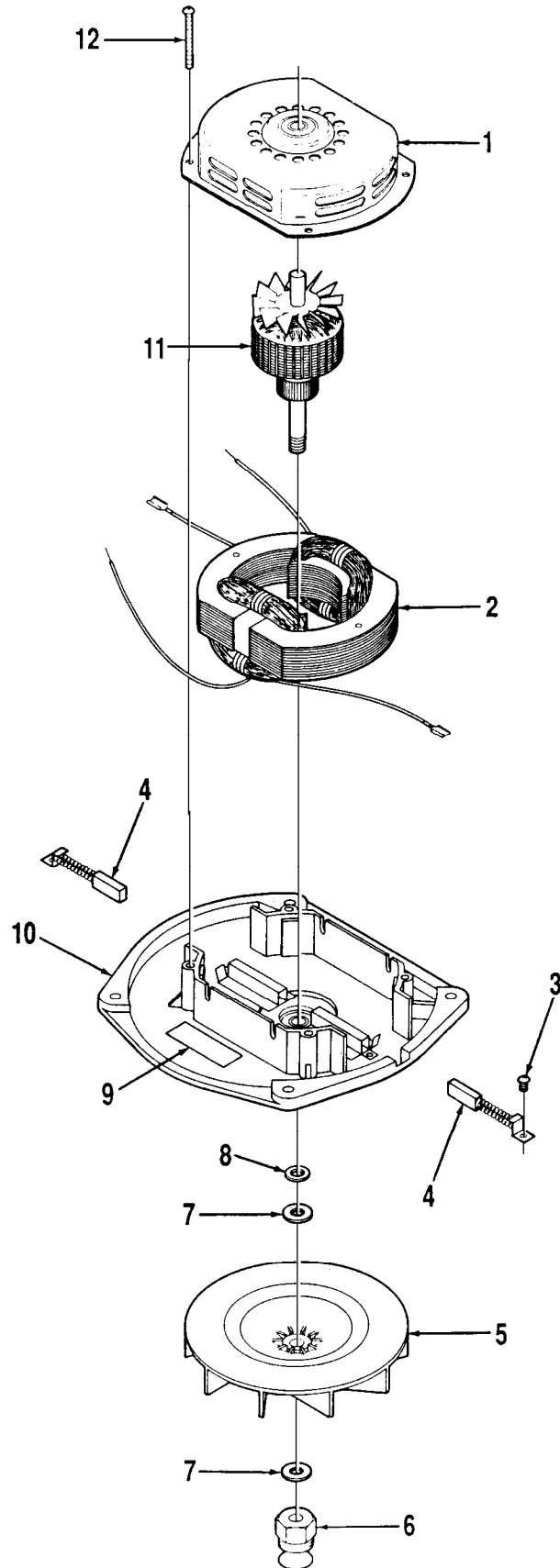


BASE ASSEMBLY (BEFORE SN 932324828)

Item	Ref. No.	Qty	Description
1	56703819	1	Hood and Nameplate
2	56703539	*	Strain Relief Bushing - pkg of 10
3	56703431	*	Screw - pkg of 10
4	56703440	*	Wire Nut - pkg of 10
5	56703551	1	Switch Button
6	56703563	1	Switch Clip
7	56630332	1	Switch, Push
8	56703423	1	Light Bulb
9	56703428	1	Motor Assembly
	56703480	2	** Carbon Brush
	56703487	1	** Fan
10	56703429	1	Motor Seal
11	56703425	1	Light Socket
12	56703444	1	Wire Clip
13	56703426	1	Light Shield
14	56703467	*	Spring - pkg of 6
15	56703820	1	Base Housing
	56703449	1	Right Cam (not shown)
	56703450	1	Left Cam (not shown)
	56703451	*	Cam Rivet - pkg of 10 (not shown)
16	56703821	1	Guard
17	56703537	2	Screw
18	56703446	1	Retainer
19	56703447	*	Screw - pkg of 10
20	56703823	*	Clip - pkg of 10
21	56703831	1	Rear Axle
22	56703824	2	Rear Wheel
23	56703825	*	Push Nut - pkg of 10
	56703535	1	Disturbulator Assembly (#24-27,30-34)
24	56703469	1	Bristle Strip Set
25	56703460	*	Clip - pkg of 10
26	56703470	2	Felt Washer
27	56703459	2	Cap Cover
28	56703463	1	Bottom Plate Assembly (#28,29)
29	56703462	1	Foam Tape
30	56703461	1	Shaft
31	56703404	*	Bearing Retainer - pkg of 2
32	56703472	*	Disturbulator Cap - pkg of 2
33	56703458	*	Nut - pkg of 10
34	56703457	1	Disturbulator Tube
35	56703456	1	Belt
36	56703421	1	Knob Assembly
37	56703420	*	Screw - pkg of 10
38	56703553	1	Front Axle
39	56703416	*	Front Wheel - pkg of 2
40	56703435	2	Wheel Cover
41	56703432	*	Screw & Clamp Set (#41,42) - pkg of 6
42	56703432	*	Screw & Clamp Set (#41,42) - pkg of 6
43	56703424	1	Lens
44	56703573	1	Bracket
45	56703443	1	Decal, Stripe
46	56703427	*	Screw - pkg of 10

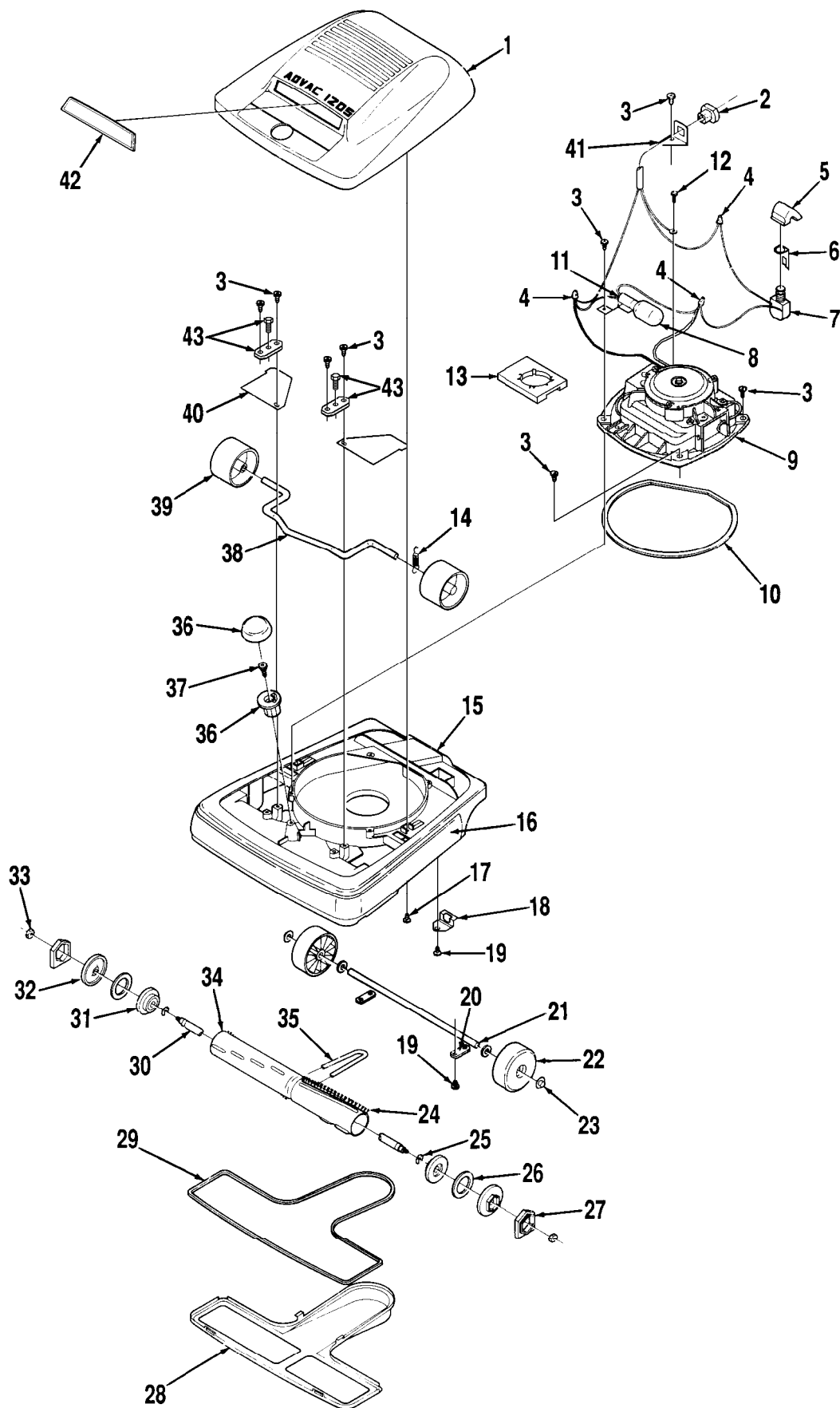
* = sold in package quantities only

** = repair parts for 56703428



MOTOR ASSEMBLY (BEFORE SN 932324828)

Item	Ref. No.	Qty	Description
	56703428	1	Motor Assembly (#1-11)
1	56703475	1	Motor Cover
	56703483	1	Bearing
2	56703478	1	Field Assembly
3	56703479	*	Screw - pkg of 10
4	56703480	2	Carbon Brush Assembly
5	56703487	1	Fan Blower
6	56703565	1	Drive Pulley
7	56703486	*	Washer - pkg of 10
8	56703485	*	Washer - pkg of 10
9	56703488	1	Decal
10	56703481	1	Motor Base Assembly
	56703482	1	Bearing Retainer Assembly
	56703483	1	Bearing
	56703484	*	Rivet - pkg of 10
11	56703476	1	Armature and Fan Assembly
	56703477	1	Fan
12	56703555	4	Torx Screw

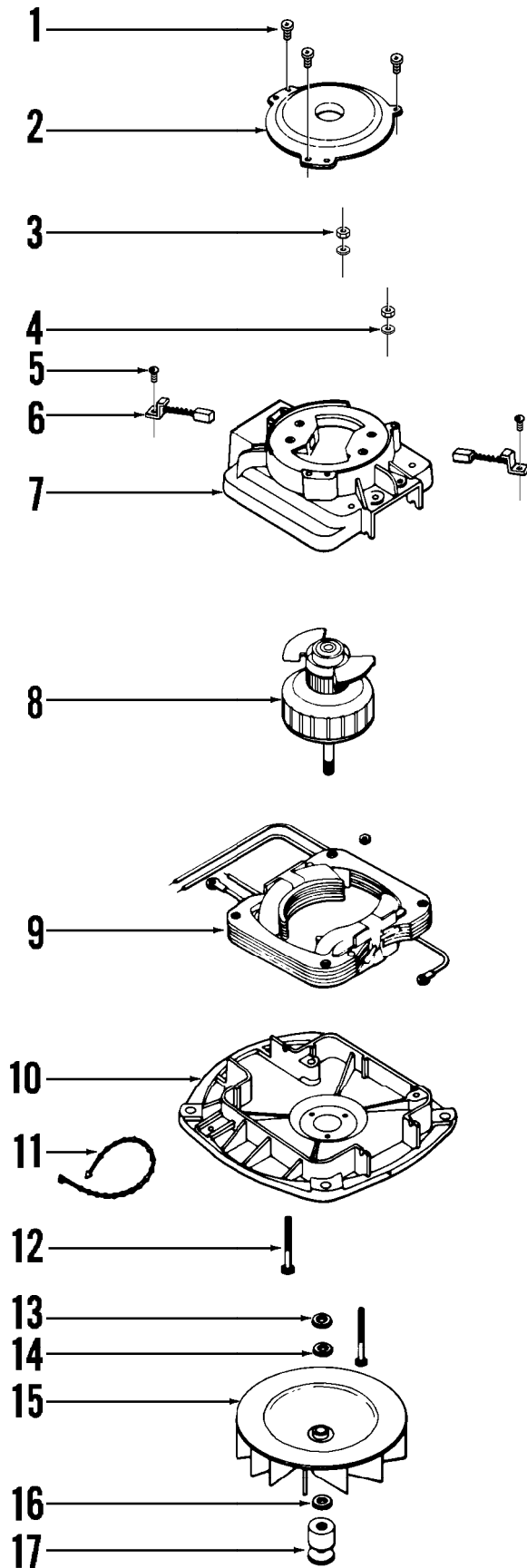


BASE ASSEMBLY (AFTER SN 932324827)

Item	Ref. No.	Qty	Description
1	56703413	1	Hood and Nameplate
2	56703539	*	Strain Relief Bushing - pkg of 10
3	56703431	*	Screw - pkg of 10
4	56703440	*	Wire Nut - pkg of 10
5	56703551	1	Switch Button
6	56703563	1	Switch Clip
7	56630332	1	Switch, Push
8	56703423	1	Light Bulb
9	56703589	1	Motor Assembly
	56703591	2	** Carbon Brush
	56703593	1	** Fan
10	56703429	1	Motor Seal
11	56703425	1	Light Socket
12	56703427	*	Screw - pkg of 10
13	56703595	1	Separator Assembly
14	56703467	*	Spring - pkg of 6
15	56703597	1	Base Housing
	56703449	1	Right Cam (not shown)
	56703450	1	Left Cam (not shown)
	56703451	*	Cam Rivet - pkg of 10 (not shown)
16	56703821	1	Guard
17	56703599	*	Screw - pkg of 10
18	56703446	1	Retainer
19	56703447	*	Screw - pkg of 10
20	56703823	*	Clip - pkg of 10
21	56703831	1	Rear Axle
22	56703824	2	Rear Wheel
23	56703825	*	Push Nut - pkg of 10
	56703535	1	Disturbulator Assembly (#24-27,30-34)
24	56703469	1	Bristle Strip Set
25	56703460	*	Clip - pkg of 10
26	56703470	2	Felt Washer
27	56703459	*	Cap Cover - pkg of 2
28	56703463	1	Bottom Plate Assembly (#28,29)
29	56703462	1	Foam Tape
30	56703461	1	Shaft
31	56703404	*	Bearing Retainer - pkg of 2
32	56703472	*	Disturbulator Cap - pkg of 2
33	56703458	*	Nut - pkg of 10
34	56703457	1	Disturbulator Tube
35	56703456	1	Belt
36	56703421	1	Grip and Knob Assembly
37	56703420	*	Screw - pkg of 10
38	56703553	1	Front Axle
39	56703416	*	Front Wheel - pkg of 2
40	56703435	2	Wheel Cover
41	56703573	1	Bracket
42	56703424	1	Lens
43	56703432	*	Screw & Clamp Set - pkg of 6

* = sold in package quantities only

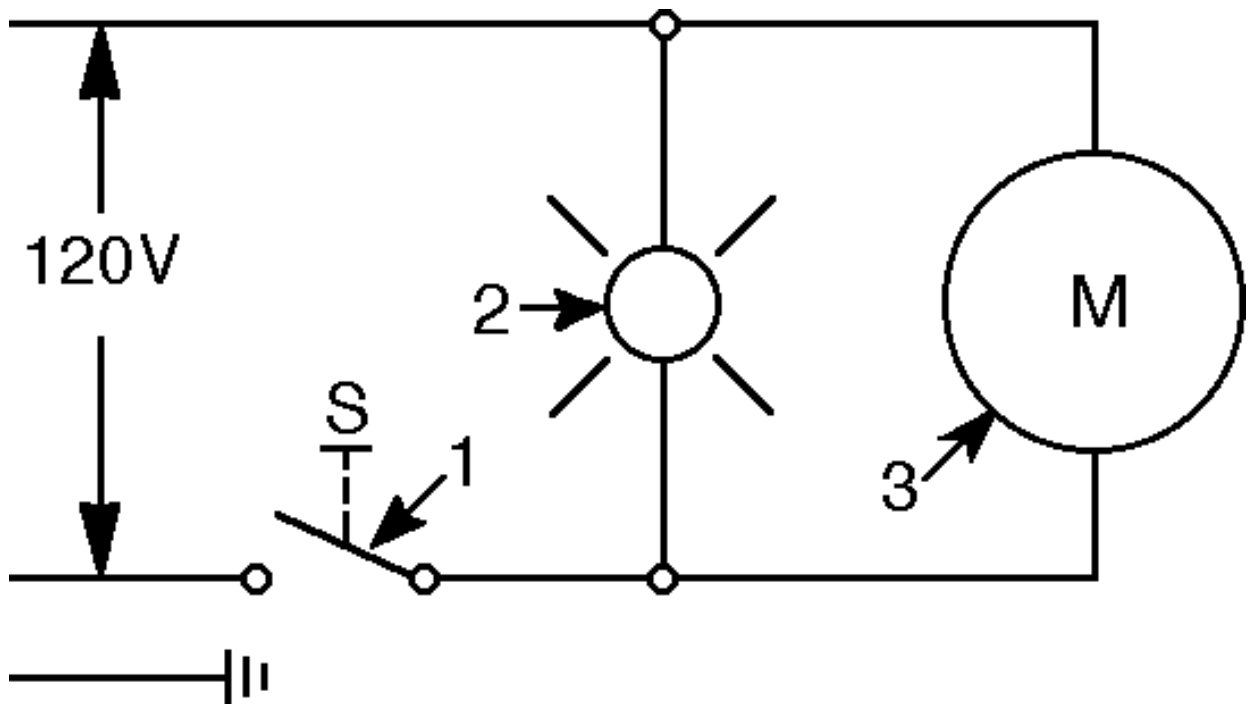
** = repair parts for 56703589



MOTOR ASSEMBLY (AFTER SN 932324827)

Item	Ref. No.	Qty	Description
	56703589	1	Motor Assembly (#1-11)
1	56703458	*	Retainer Screw - pkg of 10
2	56703368	1	Retainer Assembly
3	56703625	*	Hex Nut - pkg of 10
4	56703380	*	Lock Washer - pkg of 10
5	56703392	*	Brush Screw - pkg of 10
6	56703601	2	Carbon Brush Assembly
7	56703603	1	Motor Cover
8	56703605	1	Arm Fan and Bearing Assembly
	56703483	*	Bearing only - pkg of 5
	56703607	1	Fan only
9	56703609	1	Field Assembly
10	56703611	1	Motor Base Assembly
	56703483	*	Bearing - pkg of 5
	56703484	*	Rivet - pkg of 10
11	56703613	1	Tie Fastener
12	56703615	*	Orlo Thread Screw - pkg of 10
13	56703485	*	Washer - pkg of 10
14	56703486	*	Fan Washer - pkg of 10
15	56703593	1	Fan
16	56703486	*	Fan Washer - pkg of 10
17	56703329	1	Pulley

* = sold in package quantities only



WIRING DIAGRAM

Item	Ref. No.	Qty	Description
1	56630332	1	Switch, Push
2	56703425	1	Light Socket
	56703423	1	Light Bulb
3	56703428	1	Motor Assembly before serial number 932324828
	56703589	1	Motor Assembly after serial number 932324827



Nilfisk-Advance, Inc.
14600 21st Avenue North
Plymouth, MN, 55447-3408
www.nilfisk-advance.com
Phone: 800-989-2235
Fax: 800-989-6566
©2000 Nilfisk-Advance, Inc.,
Plymouth, MN 55447-3408
Printed in the U.S.A.