

AS3200T AUTOMATIC SCRUBBER

Chemicals
Equipment
Programs
Process



32" Automatic Scrubber

Built rugged for heavy use, this automatic scrubber will compliment any floor care program. Simple controls make training easy. It's large capacity increases productivity and the heavy duty aluminum squeegee assembly provides maximum water recovery.

Applications

- General cleaning
- Heavy duty cleaning
- Stripping

Features

- Simple design
(Easy training and operation)
- Large capacity
(Enhances productivity)
- Heavy duty aluminum squeegee
(Provides maximum recovery)
- Self propelled
(Easy to maneuver)



AS3200T controls and features



Warranty

Tank: 10 Year
All other compents: 3 Year (except wear items)*

*Please refer to Betco Equipment Price/Product Guide for complete equipment warranty information.

Specifications

Cleaning path.....	32"
Pad driver.....(2)	13"
Brush motor.....(2)	3/4 hp
Brush pressure.....	Adjustable 80 - 200 lbs.
Brush speed.....	200 RPM
Drive motor.....	5 hp, sealed transaxle
Vacuum motor.....	3-stage, 36 volt
Solution control.....	Gravity feed
Solution tank.....	30 gallon
Recovery tank.....	32 gallon
Length.....	60"
Width.....	25"
Height.....	43"
Weight.....	.850 lbs. w/batteries
Volts.....	36 volt system
Batteries.....(6)	6 volt
Run time.....	Approximately 4.5 hours
Tires.....(2)	10" heavy duty nonmarking
Casters.....(2)	5" heavy duty nonmarking
Productivity.....	35,000 sq. ft./hour

Available In

AS3200T Automatic Scrubber: Item #E12333-00

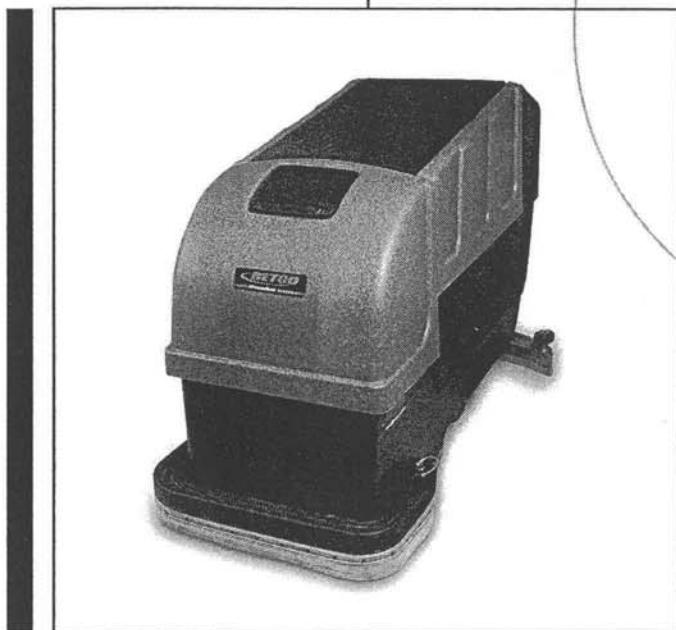
Literature Item #E12333-92

POWERBUFF®

AS3200T Automatic Scrubber

Item #E12333-00

**Operator's Manual
Parts Schematic**









*Chemicals
Equipment
Programs
Process*

BETCO®

TABLE OF CONTENTS

<u>PAGE</u>	<u>DESCRIPTION</u>
3	Table of Contents
4, 5	Safety Instructions – Very Important – Must Read Both Pages
6	Procedures for Loading, Transporting, and Unloading Scrubber
7	Specifications of PowerBuff Automatic Floor Scrubbers
8	Battery Installation and Charging
9	Battery Maintenance
10	Preventative Maintenance
11	Pad Driver and Available Scrubbing Brushes
12	Squeegee Information and Adjustments
13	Brush Operation – How to Raise and Lower Brushes
14	Operating Tips and Miscellaneous Information
15	Scrubber View Descriptions for this Manual
16, 17	Operating Procedures – 2 pages
18	Main Scrubber Parts
19	Scrubber Controls
20	Rear View of Scrubber Showing Parts
21	Dashboard Layout View and Parts and Rear View Parts
22	Solution Tank and Lid Assembly and Parts
23	Recovery Tank Assembly and Parts
24, 25	Recovery Lid Assembly and Parts
26	Splash Skirt Assembly and Parts
27	Squeegee Mount Assembly and Parts
28, 29	Squeegee Assembly and Parts
30, 31	Brush Lift, Motor Mount, and Squeegee Lift, and Parts
32, 33	Motor Frame and Motor Mount and Parts
34	Brush Drive Details and Traction Drive Details
35	Drive Hub Assembly and Parts
36	Handle Assembly (for Traction Drive)
37	Transaxle Assembly and Parts
38'39'40	Vacuum System and Solution System and Parts
41,42,43	Views of Scrubber with Major Plastic Removed
44	Batteries and Charger Parts
45	Electrical Panel and Parts and Other Electrical Information
46	Electrical Layout for Brush Motors and Vacuum Motor
47	Electrical Layout for Traction Drive Portion of Scrubber
48,49	Trouble Shooting
50	Warranty

SAFETY INSTRUCTIONS

<u>Word used</u>	<u>Explanation or Description of Word used</u>
	Failure to follow safety instructions labeled  could result in severe injury or death to the machine operator or others.
	Failure to follow safety instructions labeled  could result in injury to the machine operator or others. Also, machine or property damage could occur.
	Failure to follow safety instructions labeled  could result in damage to the machine or damage to other property.



This manual contains important information about your machine. Read and understand all instructions before operating the machine. Failure to read and follow the instructions could result in injury to the person operating the machine or injury to others. Damage to the machine or other property could occur if instructions are not followed.



Do not operate this machine around any solvents, thinners, or other flammable liquids or materials. Electrical sparks can cause a fire or even an explosion.



Do not smoke around the machine. Also, keep all sparks and flames away from the batteries. The batteries generate gases that can cause an explosion.



Special care needs to be used when working on or near the batteries. Wear eye protection. Do not lay tools on batteries, as they may short out battery terminals. Do not wear metal jewelry, as it may short out battery terminals.



Charging batteries can be dangerous. Be aware that the battery charger may have a relatively low voltage output, but the current output is very high and therefore dangerous. Do not operate the charger if any parts of the charger or charger cords are damaged. Do not stand on a wet floor when connecting or disconnecting charger to the power outlet or to the machine.

Safety Instructions are continued on the next page 

SAFETY INSTRUCTIONS (continued from previous page)

DANGER

Battery acid is dangerous. Wear eye and face protection, hand protection, and body protection when working on and around batteries. If you get acid on your skin, wash off immediately. If you get acid on your clothing, remove clothing and wash any skin that was in contact with the clothing. Baking soda mixed with water will help to neutralize the acid on your skin.

DANGER

The machine is very heavy, so be very careful when loading, transporting, and unloading the machine. Follow the "Procedures for Loading, Transporting, and Unloading Automatic Floor Scrubber" (on a separate page).

WARNING

Do not pick up dust; machine is for wet pick-up only.

WARNING

Keep all body parts, clothing, and objects away from moving parts.

WARNING

Operate machine from the rear, not from the side.

WARNING

Disconnect a wire to the batteries before working on the machine.

WARNING

Do not operate machine with charger plugged in.

WARNING

Do not operate machine with any parts damaged or missing.

WARNING

Do not operate close to stairs, loading docks, or other drop-offs. Do not park machine in such a manner that it could roll, forward or backward, off a drop-off.

WARNING

Authorized personnel must perform maintenance and repairs. Do not alter or modify the machine, unless authorized by the manufacturer.

WARNING

Do not expose the electrical components to water or excessive moisture.

WARNING

Always put caution signs around the areas that are being cleaned.

WARNING

Discharge wastewater properly. Improper discharge of wastewater is illegal. Understand and follow all Federal, State, and Local laws regarding disposal of wastewater.

WARNING

Do not use machine as a "ladder". Do not use machine as a "forklift" to push stuff around. Do not ride or let anyone ride on the machine.

CAUTION

Your machine warranty may be voided if parts other than PowerBuff parts are used.

Procedures for Loading, Transporting, and Unloading Automatic Floor Scrubber



The machine is very heavy, so be very careful when loading, transporting, and unloading the machine. Use at least two people to load or unload the machine.

- Loading Procedure Using a Ramp with a Traction Drive Scrubber
 - Ramp must be long enough so that climb into van, truck, or trailer is no more than 20 degrees. (This would permit a height of 2'4" for a 7-foot ramp, 2'8" for an 8-foot ramp, and 3'0" for a 9-foot ramp).
 - A short "pre-ramp" may be needed to prevent pad drivers from dragging.
 - Ramp must be secured to vehicle, and be clean and dry.
 - Remove squeegee assembly and pad drivers.
 - Machine must be driven straight up the ramp and never at an angle.

- Loading Procedure Using a Ramp with a Brush Drive Scrubber
 - It is not recommended that a brush drive scrubber be loaded using a ramp with an incline of more than 7 degrees. The machine is not self-propelled and therefore it is not able to assist itself up a ramp. It is too heavy to manually push up a steep incline.
 - If you must load with a ramp, the incline must be no more than 7 degrees. (This would permit a height of no more than one foot for an 8-foot ramp).
 - Ramp must be secured to vehicle, and be clean and dry.
 - Remove squeegee assembly and pad drivers.
 - Machine must be driven straight up the ramp and never at an angle.

- Loading Procedure Using a Lift Gate
 - Lift gate must have ample capacity to lift the scrubber
 - Lift gate must be long enough to accommodate scrubber in the direction that it will be loaded onto the van. Do not load scrubber sideways, because it is dangerous to turn the scrubber while on the lift gate.
 - Wheels must be firmly chocked to prevent scrubber from rolling off the lift gate.

- Securing Scrubber
 - Scrubber must be secured, so that it will not roll or turn over. Use chocks and tie downs to secure scrubber.
 - Please be aware that a scrubber is very heavy, and that a metal bulkhead in a van may not contain scrubber in the event of an accident. The equipment in a van can be more dangerous than the accident itself.

- Unloading Procedure Using a Ramp with a Traction Drive Scrubber
 - Ramp must be long enough so that removal can be controlled. Use same height restrictions as used for loading scrubber.
 - Ramp must be secured to vehicle, and be clean and dry.
 - A small pre-ramp may be needed to prevent pad drivers from dragging.
 - Machine must be driven straight down the ramp and never at an angle.
 - Use slow forward speed to slow descent as needed.

- Unloading Procedure Using a Ramp with a Brush Drive Scrubber
 - Ramp must be long enough so that removal can be controlled. Use same height restrictions as used for loading scrubber.
 - Ramp must be secured to vehicle, and be clean and dry.
 - Machine must be driven straight down the ramp and never at an angle.
 - Do not let machine run over you or anyone else as it comes off ramp.

AUTOMATIC FLOOR SCRUBBER SPECIFICATIONS

Model	AS2600B	AS2600T	AS3200
Scrub Path	26" offset head	26" offset head	32" symmetrical head
Coverage	30,000 sq. ft. / hour	30,000 sq. ft. / hour	38,000 sq. ft. / hour
Battery Pack	24 volt system	24 volt system	36 volt system
Charger	24 volt - 20 amp	24 volt - 20 amp	36 volt - 20 amp
Run Time	4.5 hours	4 hours	5.5 hours
Vacuum Motor	1 HP - 3 stage	1 HP - 3 stage	1 HP - 3 stage
Brush Motors (Two)	3/4 HP - 200 rpm	3/4 HP - 200 rpm	3/4 HP - 200 rpm
Drive System	Brush Assisted	1/2 hp sealed transaxle	1/2 hp sealed transaxle
Wheels	Front: two 10" solid Rear: two 5" castors	Front: two 10" solid Rear: two 5" castors	Front: two 10" solid Rear: two 5" castors
Tank Construction	Rotational molded polyethylene	Rotational molded polyethylene	Rotational molded polyethylene
Solution tank	24 gallon	24 gallon	24 gallon
Recovery tank	26 gallon	26 gallon	32 gallon
Brushes	Two 13" pad holders (Brushes are optional)	Two 13" pad holders (Brushes are optional)	Two 16" pad holders (Brushes are optional)
Forward Speed	Walking speed	Variable to 290 ft/min (3.3 mph)	Variable to 290 ft/min (3.3 mph)
Reverse Speed	Walking speed	Variable to 145 ft/min (1.6 mph)	Variable to 145 ft/min (1.6 mph)
Brush Pressure	80 lbs and 200 lbs	80 lbs and 200 lbs	80 lbs and 220 lbs
Brush Lifting	Mechanical	Mechanical	Mechanical
Squeegee	34" heavy duty curved tracking squeegee	34" heavy duty curved tracking squeegee	40" heavy duty curved tracking squeegee
Dimensions (no skirt, no squeegee)	52" long 25" wide 43" tall	52" long 25" wide 43" tall	60" long 25" wide 43" tall
Weight with Batteries	685 lbs.	710 lbs.	850 lbs.
Warranty	5 years on parts 10 year on tanks	5 years on parts 10 year on tanks	5 years on parts 10 year on tanks

BATTERY INSTALLATION AND CHARGING

BATTERY INSTALLATION

- Turn off all switches.
- Drain solution tank and recovery tank.
- Disconnect recovery dump hose from hooks on rear of machine so that recovery tank can lift.
- Lift recovery tank lid and tilt up recovery tank.
- Install batteries as shown on figure 1.

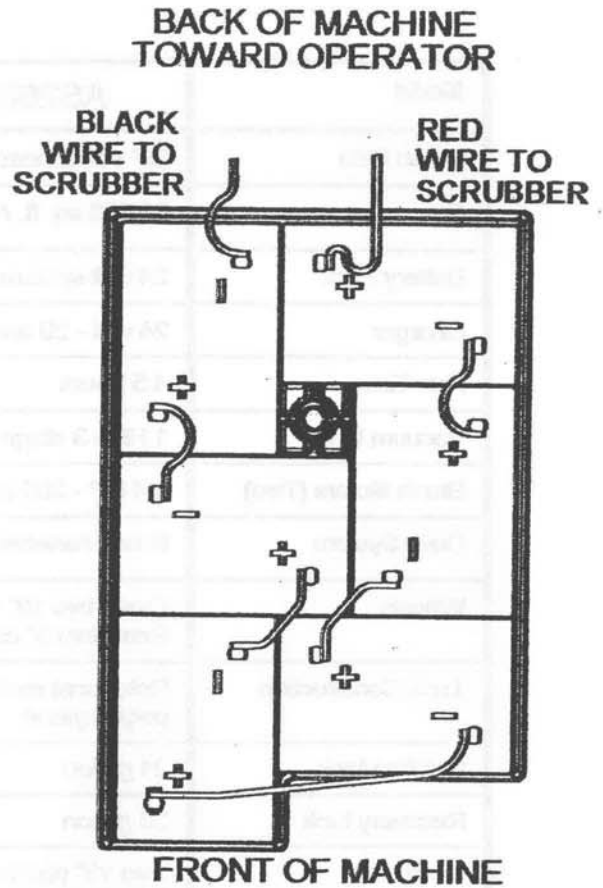


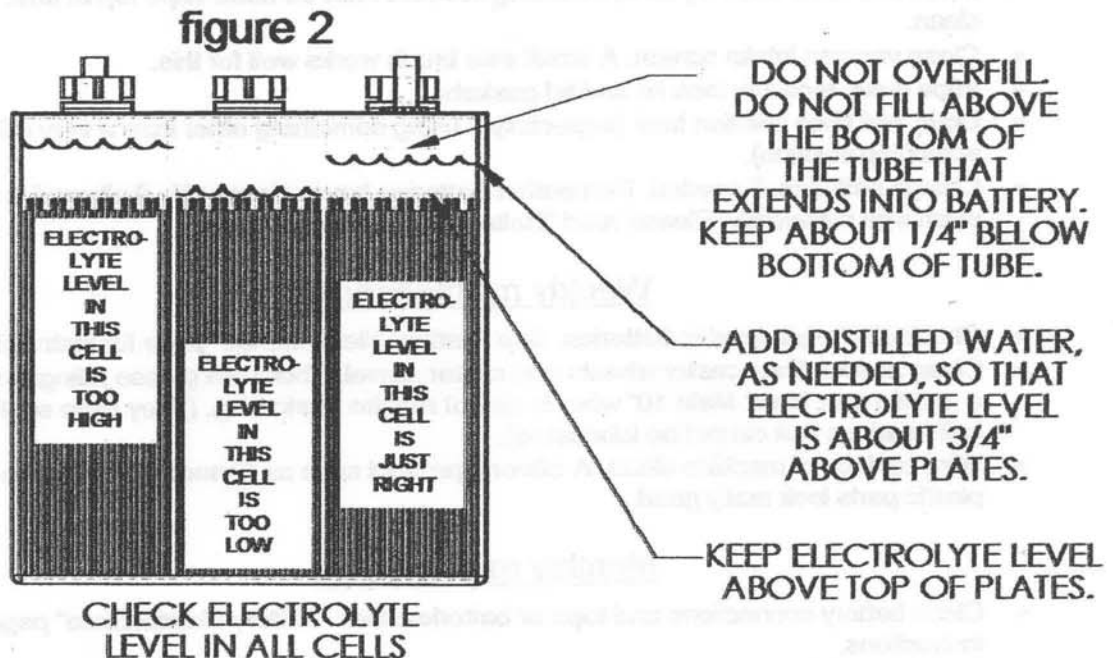
figure 1

BATTERY CHARGING

- Place the charger on a safe place. Make sure that air can circulate around the charger. Do not get the charger wet.
- All switches on scrubber must be off.
- Do not remove battery caps (the caps are vented).
- Do not charge scrubber in a wet area.
- Do not stand in a wet area when plugging in charger to the 110 volt receptacle or plugging into the scrubber.
- Connect the charging plug from the charger to the charging plug on the back of the scrubber (item 16)
- Plug in the charger to a properly grounded 110 volt receptacle.
- Indicator needle will rise and then will fall slowly as batteries charge.
- Charger will shut off automatically when batteries are fully charged.

BATTERY MAINTENANCE

- To receive the longest life from the batteries, charge them when they have between 25% and 50% of a full charge.
- Do not allow batteries to remain in a discharged state for very long, as this shortens the total battery life.
- Be aware that a discharged battery will freeze easily.
- Check the electrolyte level weekly. Top off with distilled water as shown in figure 2. Do not overfill. Make sure that all plugs are tight.
- Make sure battery connections are tight and free from corrosion. A baking soda and water solution and a wire brush are helpful when cleaning battery connections. Keep caps on when cleaning batteries, so that electrolyte is not contaminated.



!!! BATTERIES ARE DANGEROUS !!!
READ THE SAFETY INSTRUCTIONS
IN THE FRONT OF THIS MANUAL
FOR SPECIFIC WARNINGS

IF YOU WOULD LIKE TO LEARN MORE ABOUT BATTERIES

THERE IS A VERY INFORMATIVE PUBLICATION AVAILABLE. IT COVERS SUBJECTS SUCH AS BATTERY TERMS AND HOW A BATTERY WORKS TO SPECIFIC GRAVITY TESTING WITH A HYDROMETER AND DIAGNOSIS OF BATTERY PROBLEMS.
YOU CAN OBTAIN A COPY OF THE "BATTERY SERVICE MANUAL" FROM

BATTERY COUNCIL INTERNATIONAL
401 N. MICHIGAN AVENUE
CHICAGO, IL 60611
PHONE 312-644-6610

PREVENTATIVE MAINTENANCE ITEMS

Before starting work

- Inspect pads for wear. Replace if needed.
- Turn on brush motors and check battery indicator gauge to assure that there is enough charge to scrub floor.

After you are finished using scrubber for the day

- Raise squeegee and leave up.
- Raise brushes and leave up.
- Drain and rinse recovery tank, including vacuum shut-off float. Wipe top of tank clean.
- Clean vacuum intake screen. A small wire brush works well for this.
- Wipe down recovery tank lid and lid gaskets.
- Drain and rinse solution tank (especially if using something other than a very mild scrubbing solution).
- Charge batteries, if needed. Remember batteries have a longer life if allowed to discharge sufficiently. Please read "Battery Maintenance" page.

Weekly maintenance

- Check electrolyte level in batteries. See "Battery Maintenance" page for instructions.
- Clean and lubricate caster wheels and caster swivel. There are grease fittings to use a grease gun. Note: Main 10" wheels do not require lubricating. (They have sealed ball bearings that cannot be lubricated).
- Wipe surface of machine clean. A silicone product such as "Armor All" will make the plastic parts look really good.

Monthly maintenance

- Clean battery connections and tops of batteries. See "Battery Maintenance" page for instructions.
- Inspect scrub brushes for wear (if you have scrub brushes).
- General visual inspection for problems.

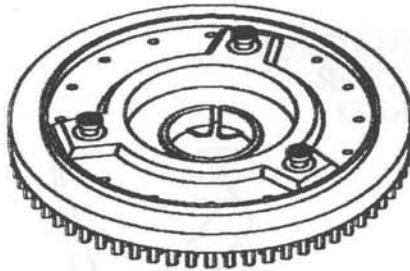
Semi-annual maintenance

- Inspect carbon brush wear in brush motors.
- Lubricate all pivot points with a light oil. Porous bushings will absorb some oil to distribute over time.
- Lubricate brush lift arm sliding surface with a heavy grease. This is located behind the back panel. Bearing grease may be used.

As needed items

- Adjust squeegee tilt. See "Squeegee Information" page.
- Turn, flip, or replace squeegee blade for streak free pickup.
- Replace intake screen and intake screen gasket.

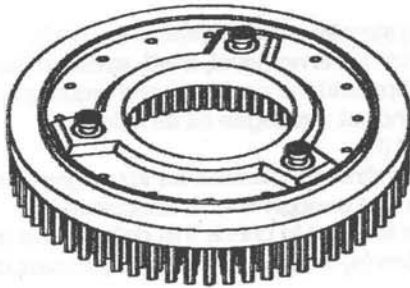
PAD DRIVER AND AVAILABLE BRUSHES



PAD DRIVER
NEED 2 PER MACHINE

PART NO.	DESCRIPTION
AS32801	16" pad driver (must be used with an appropriate pad)*

* CONSULT YOUR JANITORIAL SUPPLIER FOR ADVISE
ON THE PROPER PAD TO USE FOR YOUR APPLICATION.
SCRUB AND STRIP PADS ARE COLOR CODED FROM
LEAST AGGRESSIVE TO MOST AGGRESSIVE AS FOLLOWS:
WHITE - RED - BLUE - GREEN - BROWN - BLACK

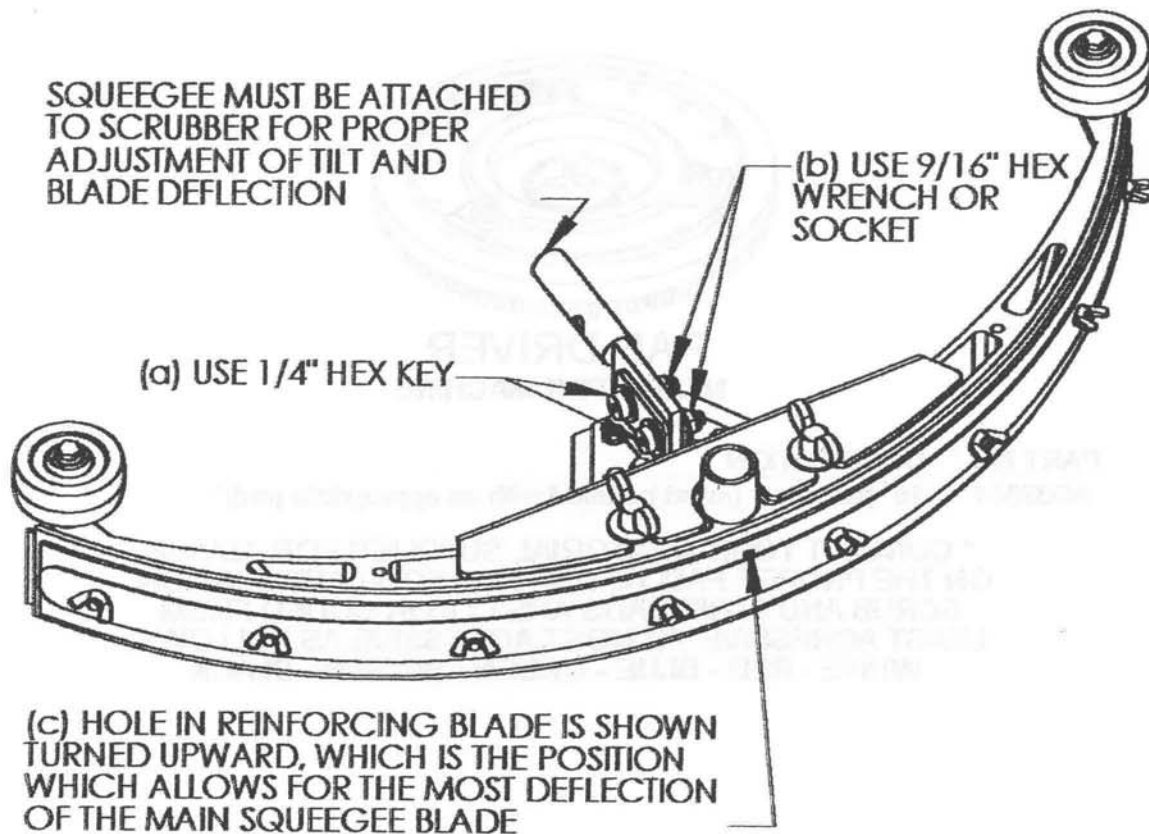


BRUSH
NEED 2 PER MACHINE

PART NO.	DESCRIPTION	USES
AS32802	Polyscrub	Very light scrubbing (replaces white pads)
AS32803	Dynascrub	Light to medium scrubbing (replaces red pads)
AS32804	Powerscrub	Medium to aggressive scrubbing (replaces blue or green pads)
AS32805	Stratagrit	Very aggressive scrubbing or stripping (replaces brown or black pads)

A BRUSH WILL OUTLAST A PAD AT LEAST 100 TO 1

SQUEEGEE INFORMATION AND ADJUSTMENTS



Problem: Squeegee is leaving streaks at the center or the ends.

Cause: Squeegee is not level. If it is not level, it will streak in the center or at the ends.

Solution: Make sure that the tips and the center of main squeegee blade are uniformly deflected and not leaving streaks. Adjust squeegee tilt as follows:

Step 1: Loosen (a) and (b)

Step 2: Tilt squeegee in direction needed for squeegee to deflect uniformly along entire length.

Step 3: Tighten (a) and (b) enough to hold temporarily.

Step 4: Move scrubber forward to check that deflection is uniform.

Step 5: If correct, tighten (a) and (b) as much as you can; or if not correct, start over at step 1.

Problem: Squeegee is leaving streaks not related to squeegee being level.

Cause: (1) Trash under main squeegee blade.

(2) Blade edge is worn or nicked

Solution: (1) Clear trash.

(2) Turn the blade. All four edges can be used. If all edges have been used, then replace the main squeegee blade.

Problem: Main squeegee blade is deflecting too much or too little.

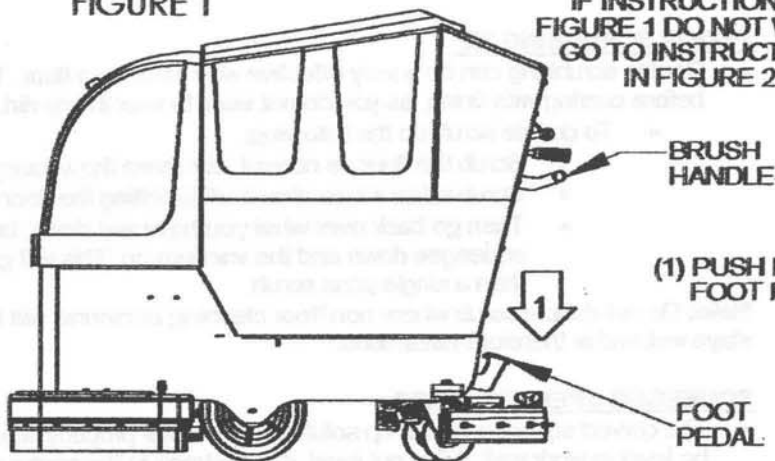
Cause: Reinforcing blade is turned wrong for the floor conditions.

Solution: Holes on the reinforcing blade are offset. Blade can be flipped to put longer or shorter side toward floor. Longer side has a hole (c) at center. Facing the hole down makes the main blade stiffer and allows it to deflect less. Hole turned upward allows blade to deflect more.

BRUSH OPERATION

HOW TO:
RAISE BRUSHES,
LOWER BRUSHES,
ADD HEAVY PRESSURE
TO BRUSHES, AND
RELEASE PRESSURE
FROM BRUSHES

FIGURE 1



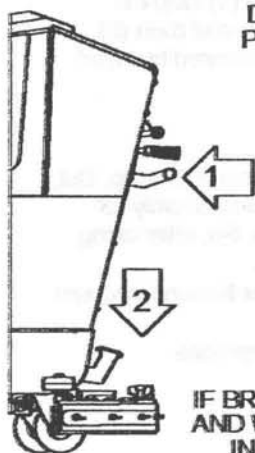
RAISE BRUSHES
IF INSTRUCTIONS IN
FIGURE 1 DO NOT WORK,
GO TO INSTRUCTIONS
IN FIGURE 2

BRUSH
HANDLE

(1) PUSH DOWN
FOOT PEDAL

FOOT
PEDAL

FIGURE 2



TO RAISE BRUSHES

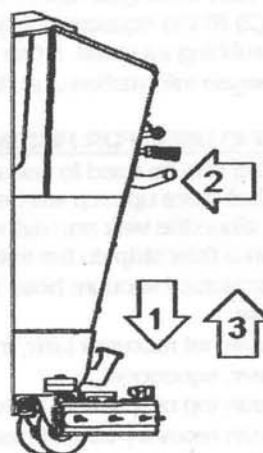
IF INSTRUCTIONS IN FIGURE 1
DO NOT WORK, THERE ARE
PROBABLY NO BRUSHES ON
SCRUBBER AND THIS
SHOULD RAISE BRUSHES.

(1) PUSH IN
HANDLE

(2) PUSH DOWN
FOOT PEDAL

IF BRUSHES ARE ON SCRUBBER
AND WILL NOT RAISE, THEY ARE
IN THE HEAVY PRESSURE
POSITION, SO PROCEED TO
FIGURE 5 TO RELEASE BRUSHES.

FIGURE 3



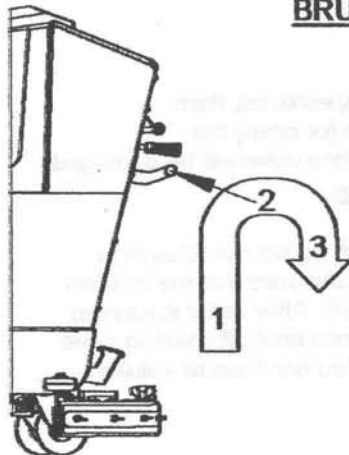
LOWER BRUSHES

(1) PUSH DOWN
FOOT PEDAL

(2) PUSH IN
HANDLE

(3) RELEASE
FOOT PEDAL
SLOWLY

FIGURE 4



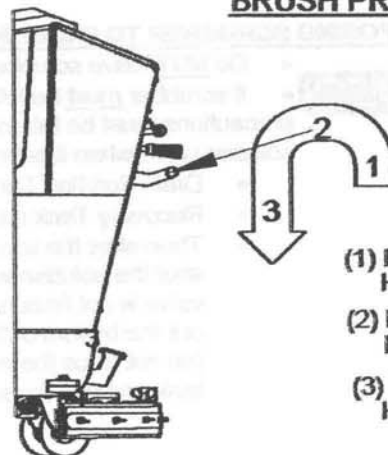
**ADD HEAVY
BRUSH PRESSURE**

(1) PULL UP
HANDLE

(2) PULL BACK
HANDLE,
WHILE STILL
PULLING UP

(3) LOWER
HANDLE SLIGHTLY
WHILE STILL
PULLING BACK

FIGURE 5



**RELEASE HEAVY
BRUSH PRESSURE**

(1) PULL UP
HANDLE

(2) PUSH IN
HANDLE

(3) LOWER
HANDLE

OPERATING TIPS AND MISCELLANEOUS INFORMATION

FLOOR SCRUBBING TIP

- Double scrubbing can be a very effective way to clean a floor. This especially important before coating with finish, as you do not want to wax in any dirt.
 - To double scrub do the following:
 - Scrub the floor as normal, but leave the squeegee up and the vacuum off.
 - Scrub a few aisles ahead while letting the floor soak.
 - Then go back over what you have wet down, but this time with the squeegee down and the vacuum on. This will get the floor much cleaner than a single pass scrub.

Note: Do not double scrub where non-floor cleaning personnel will be walking, since the floor stays wet and is therefore hazardous.

SQUEEGEE OPERATING TIPS

- The curved squeegee picks up solution very well if properly adjusted. The squeegee must be level to work well. If it is not level, it will streak in the center or at the ends. Make sure that the tips and the center are uniformly deflected and not leaving streaks. If squeegee is not level, then loosen the two bolts on squeegee bracket and squeegee will pivot forward and backward. Level squeegee and tighten bolts.
- If squeegee is properly adjusted and is leaving streaks, then there may be trash caught under the main squeegee blade. A little trick that will clear most trash is to (1) stop the scrubber, (2) lift the squeegee, (3) back up a little, (4) lower the squeegee, and then (5) resume scrubbing as usual. If this does not work, then the trash must be cleared by hand.
- See "Squeegee Information and Adjustments" page for more information.

IF SCRUBBER IS USED FOR PICKING UP WAX AND STRIPPER

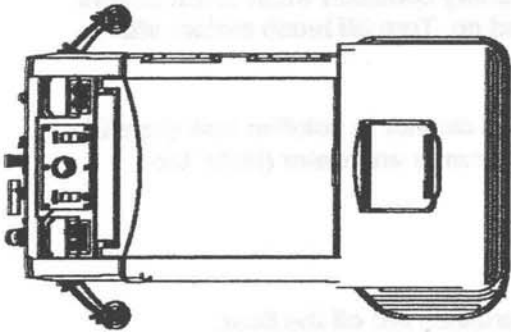
- The scrubber can be used to vacuum the emulsified wax and stripper from a floor strip. But, be aware that more upkeep will be required on the scrubber than if it were used only for scrubbing, since the wax and dirt will remain after the stripper evaporates. So, after using scrubber on a floor strip do the following.
 - Disconnect vacuum hose from squeegee and vacuum clean water through vacuum hose.
 - Rinse out recovery tank, including letting clean water run out dump hose.
 - Clean squeegee.
 - Clean top of recovery tank.
 - Clean recovery lid and gasket on recovery lid.
 - Drain solution tank and flush lines with clean water. (If you have stripper in the solution tank, you do not want it on the floor if the next job the scrubber is used on is just a scrub).
 - Wipe down anywhere where wax slop has gotten on scrubber.

EXPOSING SCRUBBER TO FREEZING TEMPERATURES

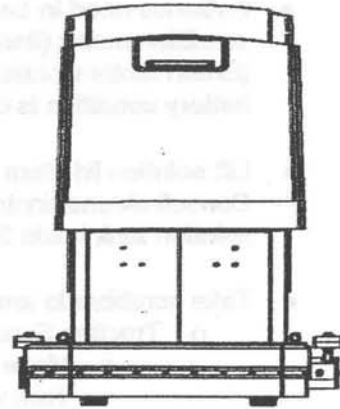


- Do **NOT** leave scrubber in freezing temperatures
- If scrubber must be left or transported in freezing temperatures, then precautions must be taken. If an attempt is made to close (or open) the solution valve when it is frozen, the solution cable or solution valve will be damaged.
 - Drain Solution Tank and leave solution valve open.
 - Recovery Tank must also be drained.
 - Then after the scrubber is inside place to be used, do not yet attempt to shut the solution valve. You must first check to make sure that the solution valve is not frozen. Run hot water into solution tank. After water is running out the bottom of the machine (the brush area), then shut off solution valve (do not force the solution valve control handle). You can then fill solution tank and use the scrubber.

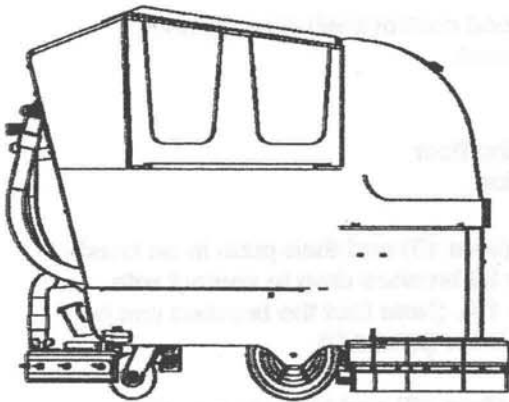
DESCRIPTIONS OF VIEWS SHOWING PARTS ON SCRUBBER



TOP VIEW



FRONT VIEW



RIGHT VIEW



TOP-RIGHT-FRONT
VIEW

IN THIS MANUAL, MANY OF THE PARTS IN THE DRAWINGS ARE SHOWN CORRECTLY ASSEMBLED, OR AT LEAST NEAR THE POSITIONS THEY ARE LOCATED ON THE SCRUBBER.

THIS METHOD WILL HELP TRACE A PROBLEM, FIND WHAT IS NEEDED TO CORRECT THE PROBLEM, AND THEN PROPERLY REASSEMBLE THE MACHINE.

THE ELECTRICAL LAYOUT HAS ALSO BEEN SIMPLIFIED, SO THAT PROBLEMS CAN BE EASILY TRACED AND REPAIRED.

Operating Procedures

(See page 19 for guide to item numbers)

- Batteries need to be in the operating range (the green area) of the battery condition meter (item 2). Gauge will register battery condition when brush motors (Brush Motor Control Switch, item 6) are turned on. Turn off brush motors after battery condition is determined.
- Lift solution lid (item A) and add water and liquid cleaner to solution tank (item B). Consult cleaner instructions for proper ratio of cleaner and water (Note: the solution tank holds 24 gallons when full).
- Take scrubber to area to be cleaned
 - Traction Scrubber
 - Make sure that squeegee and brushes are off the floor.
 - Turn variable speed control knob (item 8) all the way counterclockwise.
 - Turn on traction switch (item 9).
 - Squeeze forward control lever (item 1) if scrubber needs to go forward and reverse control lever if scrubber needs to be moved backward.
 - Gradually increase variable speed control knob (item 8) until scrubber attains the needed speed.
 - Release lever to stop.
 - Brush Drive Scrubber
 - Lift squeegee and brushes off the floor.
 - Push scrubber to desired location.
- Lower brushes by depressing brush lift pedal (item 13) and then push in on brush lift and pressure lever (item 11), and gradually let brushes drop to contact with floor by slowly lift foot off brush lift pedal (item 13). (Note that the brushes can be lowered using only the brush lift and pressure lever (item 11)).
- Lower squeegee using the squeegee lift lever (item 18) and turn on vacuum using the vacuum motor control switch (item 7).
- Turn on solution by adjusting cleaning solution control lever (item 17) to desired flow rate (the flow rate can be adjusted as the need arises).
- Turn on brushes using the brush control switch (item 6) and immediately move scrubber forward.
 - Traction Scrubber – adjust speed as needed with the variable speed control knob (item 8).
 - Brush Drive Scrubber – push to desired speed. There is no need to keep the forward control lever depressed. The brush drive scrubber should move easily by pushing alone.

Operating procedures are continued on the next page 

Operating Procedures

(continued)

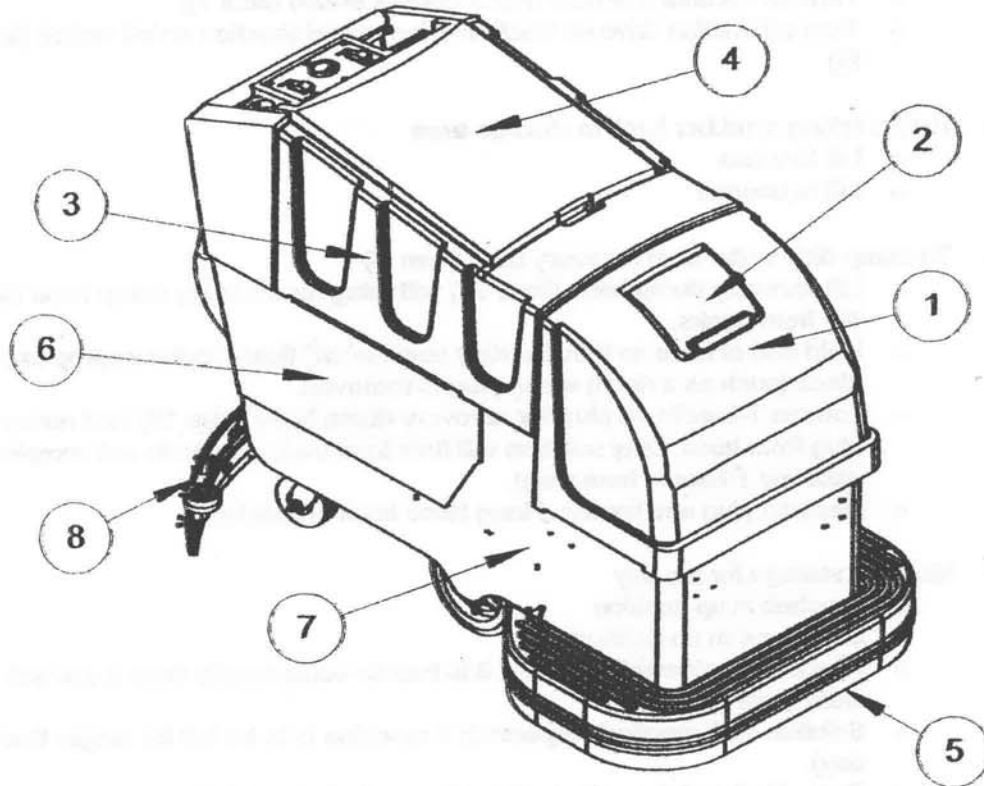
- **When you stop scrubbing an area.**
 - Turn off brushes (brushes or pads can wear through the wax if left running in one place)
 - Turn off solution flow (cleaning solution control lever (item 17))
 - Turn off vacuum (vacuum motor control switch (item 7))
 - Turn off traction drive on traction drive model (traction on/off switch (item 9))

- **Before taking scrubber back to storage area**
 - Lift brushes
 - Lift squeegee

- **To dump dirty water from recovery tank (item C)**
 - Lift recovery dump hose (item 12) with plug for recovery dump hose (item 10) from hooks.
 - Hold end of hose so that the dirty solution will flow into the appropriate place (such as a drain) when plug is removed.
 - Loosen T-handle on plug for recovery dump hose (item 10) and remove plug from hose. Dirty solution will flow from tank. (Note: do not completely unscrew T-handle from plug).
 - Replace plug and tighten. Hang hose back on hooks.

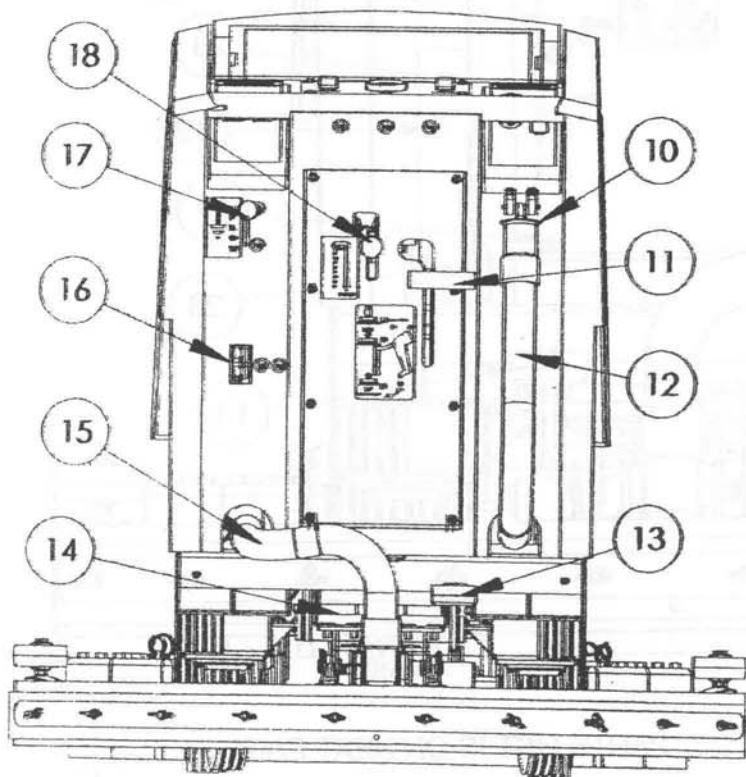
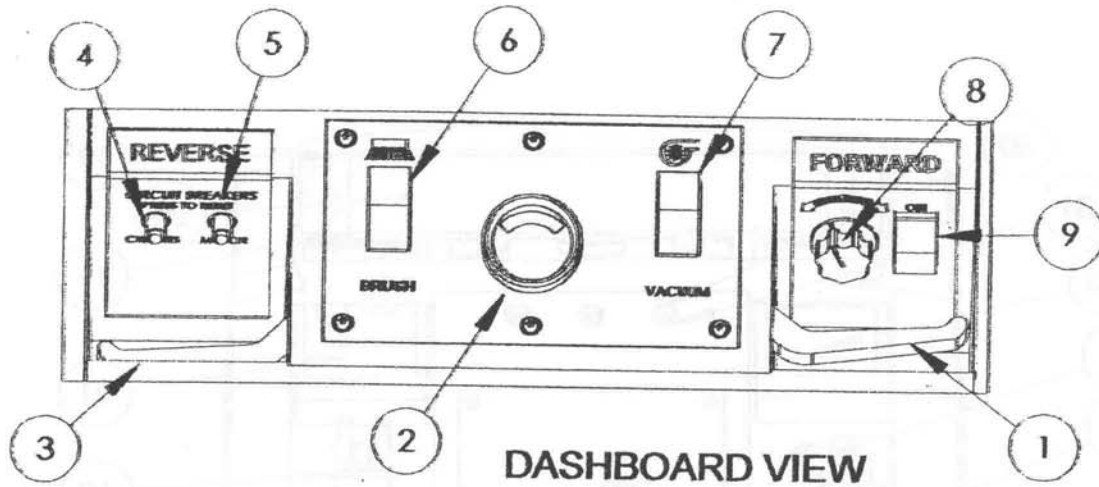
- **Machine storage for the day**
 - Brushes in up position
 - Squeegee in up position
 - Recovery tank emptied (Note: it is best to occasionally rinse it out with clean water).
 - Solution tank emptied (especially if machine is to be left for longer than a day).
 - Turn off all switches. (Note: if traction on/off switch is left on for more than 20 minutes without the machine moving, then the traction control electronics will automatically power down. To reset them, simply turn the traction on/off switch off and then back on).

MAIN SCRUBBER PARTS



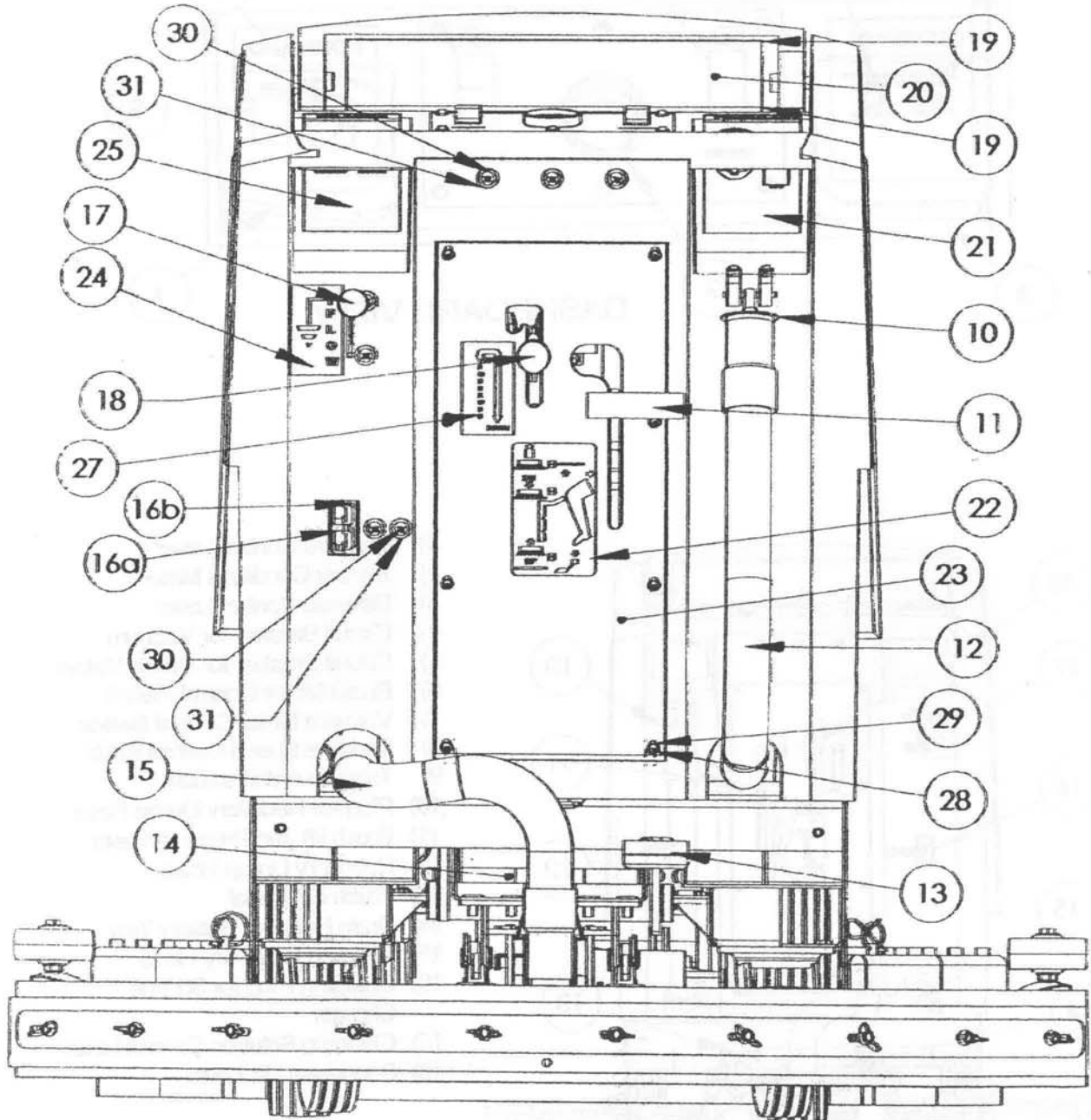
ITEM	PART #	DESCRIPTION AND NOTES
1	AS26/32755	Solution Tank (see Scrubber Tank and Lid page for other Tank parts)
2	AS26/32754	Solution Lid (see Scrubber Tank and Lid page for other Lid parts)
3	AS32753	Recovery Tank (see Recovery Tank and Lid page for other Tank parts)
4	AS26/32752	Recovery Lid (see Recovery Tank and Lid page for other Lid parts)
5	AS32751	Splash Skirt (see Splash Skirt page for other Splash Skirt parts)
6	AS26/32750	Plastic Base
7	AS321121	Main Frame
8	AS321802	Squeegee Assembly (entire assembly including yoke bar and blades)

SCRUBBER CONTROLS



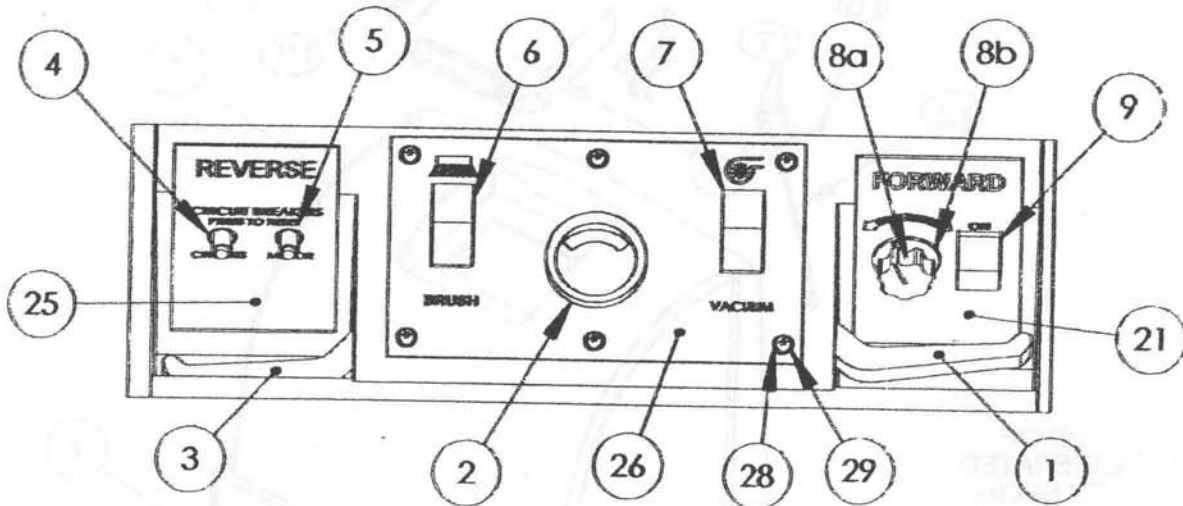
- 1) Forward Control Lever
- 2) Battery Condition Meter
- 3) Reverse Control Lever
- 4) Circuit Breaker for Vacuum
- 5) Circuit Breaker for Brush Motors
- 6) Brush Motor Control Switch
- 7) Vacuum Motor Control Switch
- 8) Variable Speed Control Knob
- 9) Traction on/off switch
- 10) Plug for Recovery Dump Hose
- 11) Brush lift and Pressure Lever
- 12) Recovery Dump Hose
- 13) Brush Lift Pedal
- 14) Drain Hose for Battery Tray
- 15) Vacuum Recovery Hose
- 16) Charging Plug for 36 Volt Charger
- 17) Cleaning Solution Control Lever
- 18) Squeegee Lift Lever

REAR VIEW OF SCRUBBER



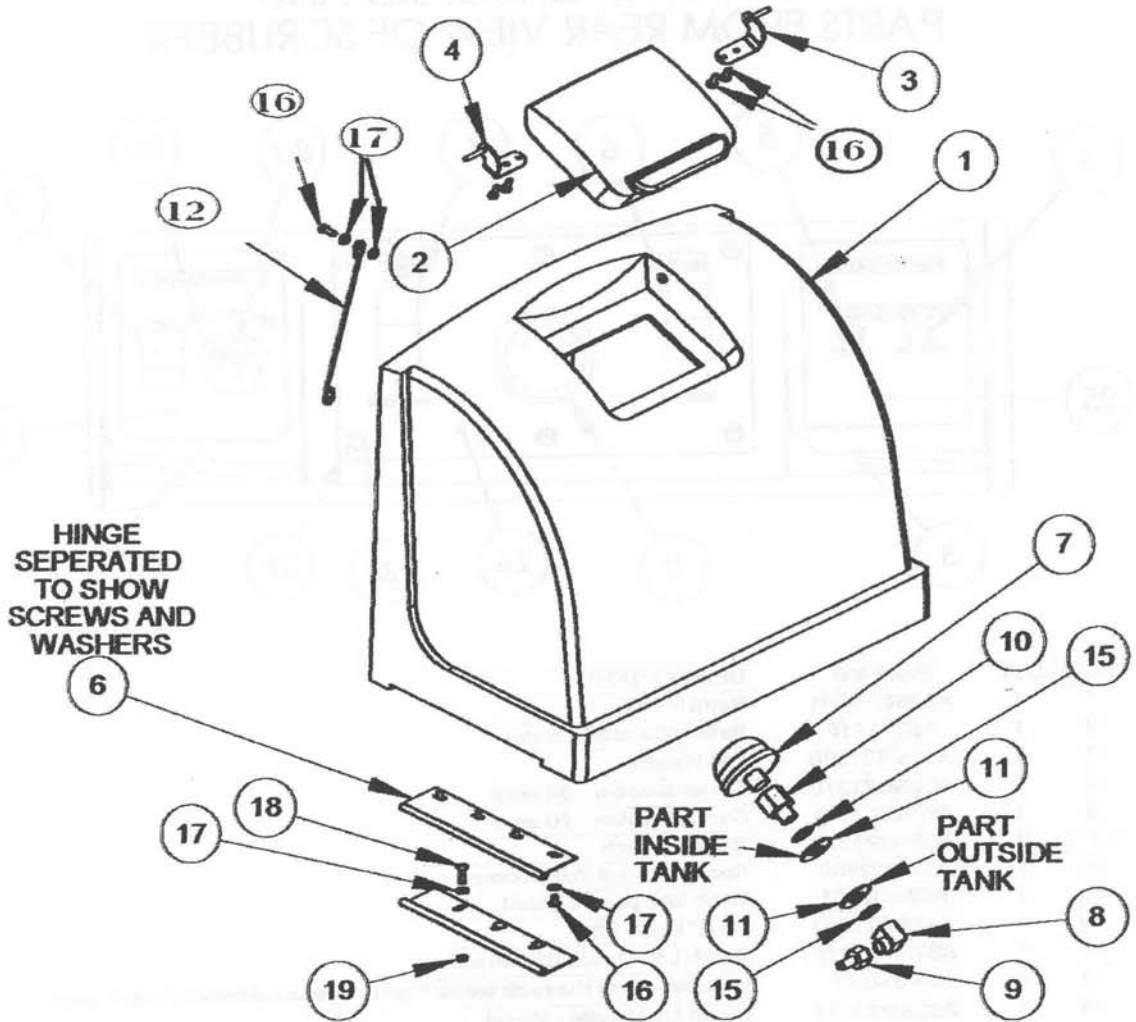
PARTS LIST IS ON NEXT PAGE →

DASHBOARD LAYOUT AND PARTS FOR DASHBOARD AND PARTS FROM REAR VIEW OF SCRUBBER



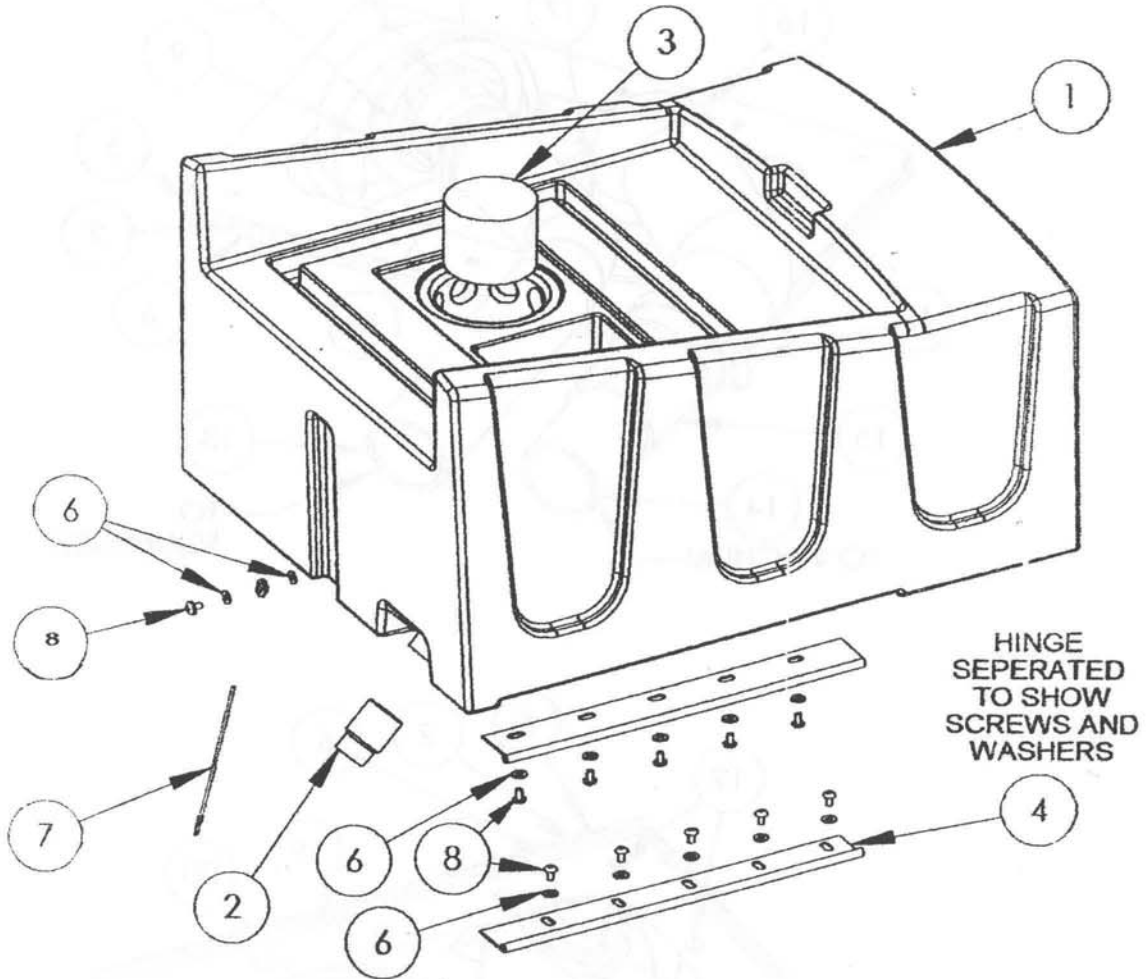
ITEM	QTY.	PART NO.	DESCRIPTION
1	1	AS26/321301	Right Handle
2	1	AS321210	Battery Condition Meter
3	1	AS26/321300	Left Handle
4	1	AS26/321370	Circuit Breaker - 30 amp
5	1	AS26/321371	Circuit Breaker - 70 amp
6, 7, 9	3	AS26/321372	Rocker Switch
8a	1	AS26/32850	Speed Control Potentiometer
8b	1	AS26/32851	Knob for Speed Control
10	1	AS26/321230	1-1/2" Drain Plug
11	1	AS26/321118	Brush Lift Handle Weldment
12	1	>> see >>	for Recovery Drain Hose parts see the "Vacuum System and Solution System" pages
13	1	AS26/321127	Brush Lift Handle - Pedal
14	1	>> see >>	for the Battery Drain Hose parts see the "Vacuum System and Solution System" pages
15	1	>> see >>	for Vacuum Recovery Hose parts see the "Vacuum System and Solution System" pages
16a	1	AS32400	Charging Plug
16b	1	AS26/321104	Bracket for Charging Plug
17	1	AS32601	Solution Control Cable (includes knob)
18	1	>> see >>	for Squeegee Lift Handle parts see the "Brush Lift, Motor Mount, and Squeegee Lift" pages
19	1	AS26/321275	Lid Flap
20	2	AS26/321109	Lid Flap Retainer
21B	1	AS26/321520	Forward Decal (for Brush Drive Scrubber)
21T	1	AS26/321531	Speed Control and Forward Decal (for Traction Drive Scrubber)
22	1	AS26/321530	Brush Position Decal
23	1	AS26/321102	Back Panel
24	1	AS321532	Flow Label
25	1	AS26/321500	Reverse Decal
26	1	AS26/321390	Dashboard
27	1	AS26/321510	Squeegee Decal
28	14	AS26/32352	Screw
29	14	AS26/32296	Nylon Washer
30	7	AS26/32353	Screw
31	7	AS26/32354	Flat Washer

SOLUTION TANK AND SOLUTION TANK LID ASSEMBLY AND PARTS LIST



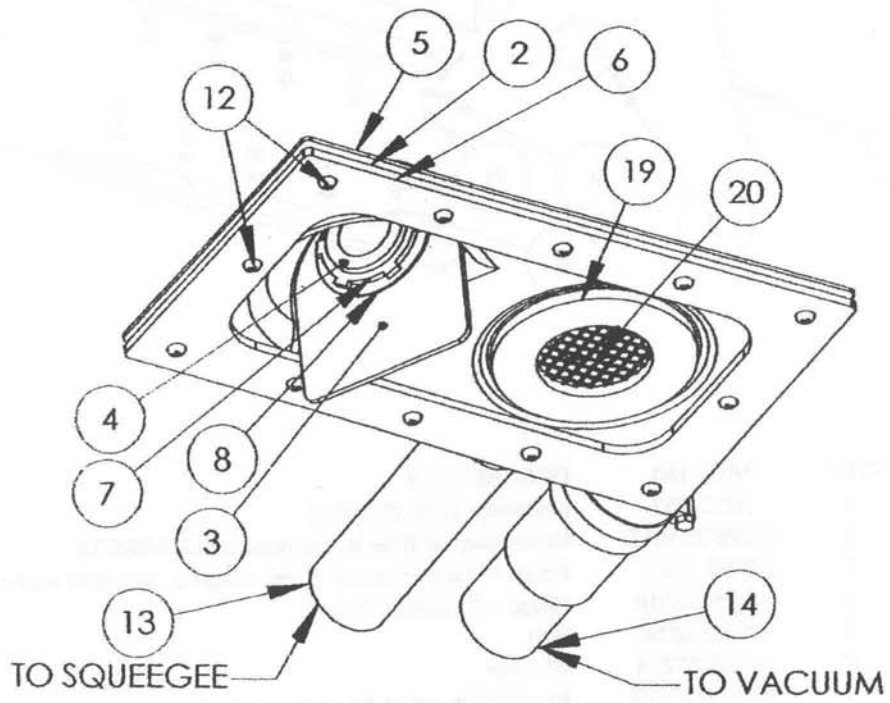
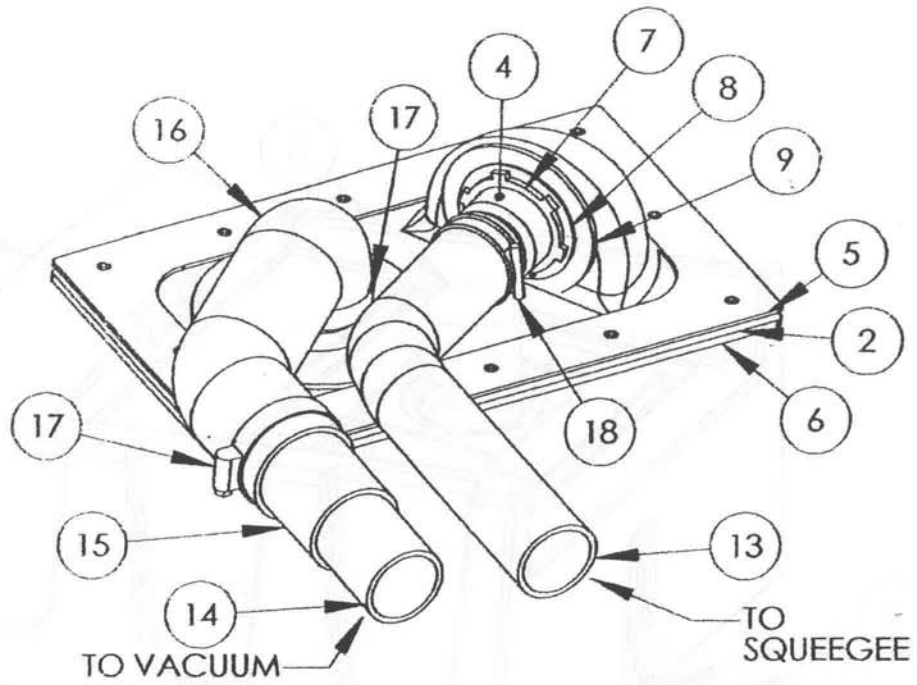
ITEM	QTY.	PART NO.	DESCRIPTION
1	1	AS26/32755	Solution Tank (granite)
2	1	AS26/32754	Solution Tank Lid (black)
3	1	AS26/321114	Hinge - solution lid - left
4	1	AS26/321113	Hinge - solution lid - right
5	4	AS26/32205	Bolt
6	1	AS26/32811	Hinge - Solution Tank
7	1	AS26/321215	Solution Strainer
8	1	AS26/32060	Hose fitting
9	1	AS26/32054	Hose fitting
10	1	AS26/32063	Hose fitting
11	2	AS26/321260	Rubber Gasket
12	1	AS26/321801	Restraining cable for solution tank
13	1	AS26/32206	Bolt
14	2	AS26/32279	Washer
15	2	AS26/32275	Washer
16	4	AS26/32268	Screw
17	10	AS26/32274	Washer
18	3	AS26/32261	Screw
19	3	AS26/32241	Nyloc nut

RECOVERY TANK ASSEMBLY AND PARTS LIST

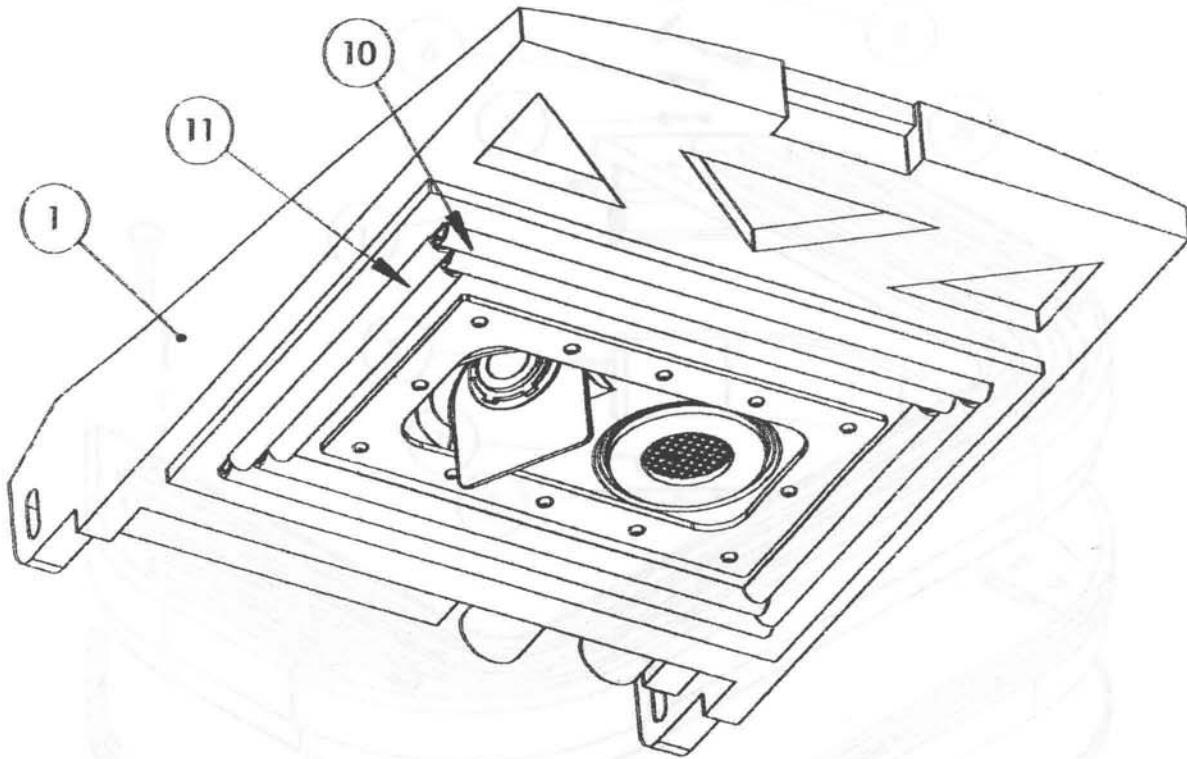


ITEM	QTY.	PART NO.	DESCRIPTION
1	1	AS32753	Recovery Tank (Granite)
2	1	AS26/321815	Hose adapter (this is a modified AS26/32820)
3	1	AS26/ 32825	Foam Float assembly (float, weights, and cord come assembled)
4	1	AS26/32810	Hinge - Recovery Tank
5	1	AS26/32206	Bolt
6	12	AS26/32274	Washer
7	1	AS26/321800	Restraining cable for recovery tank
8	10	AS26/32268	Screw

RECOVERY LID ASSEMBLY

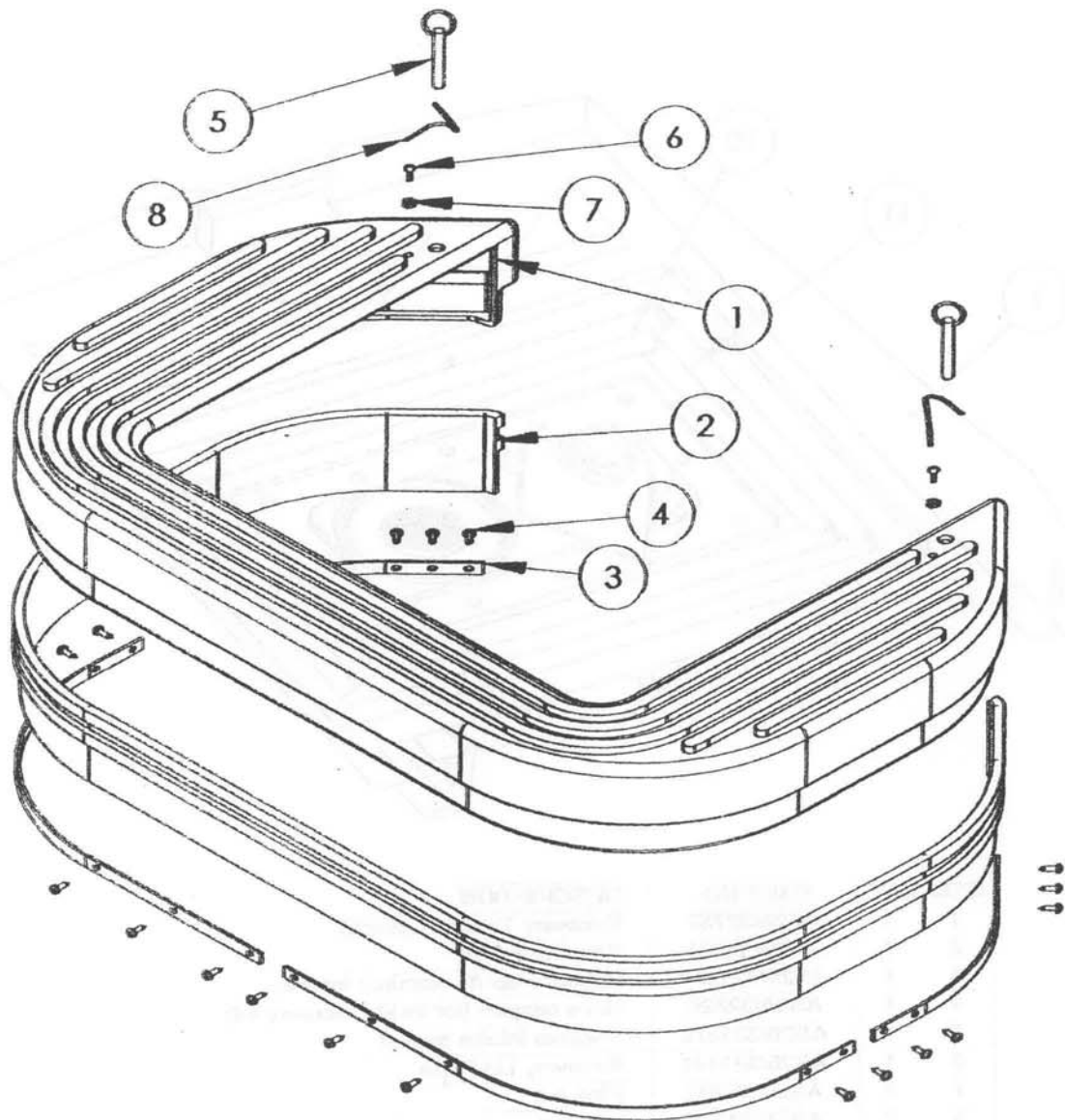


RECOVERY LID ASSEMBLY AND PARTS



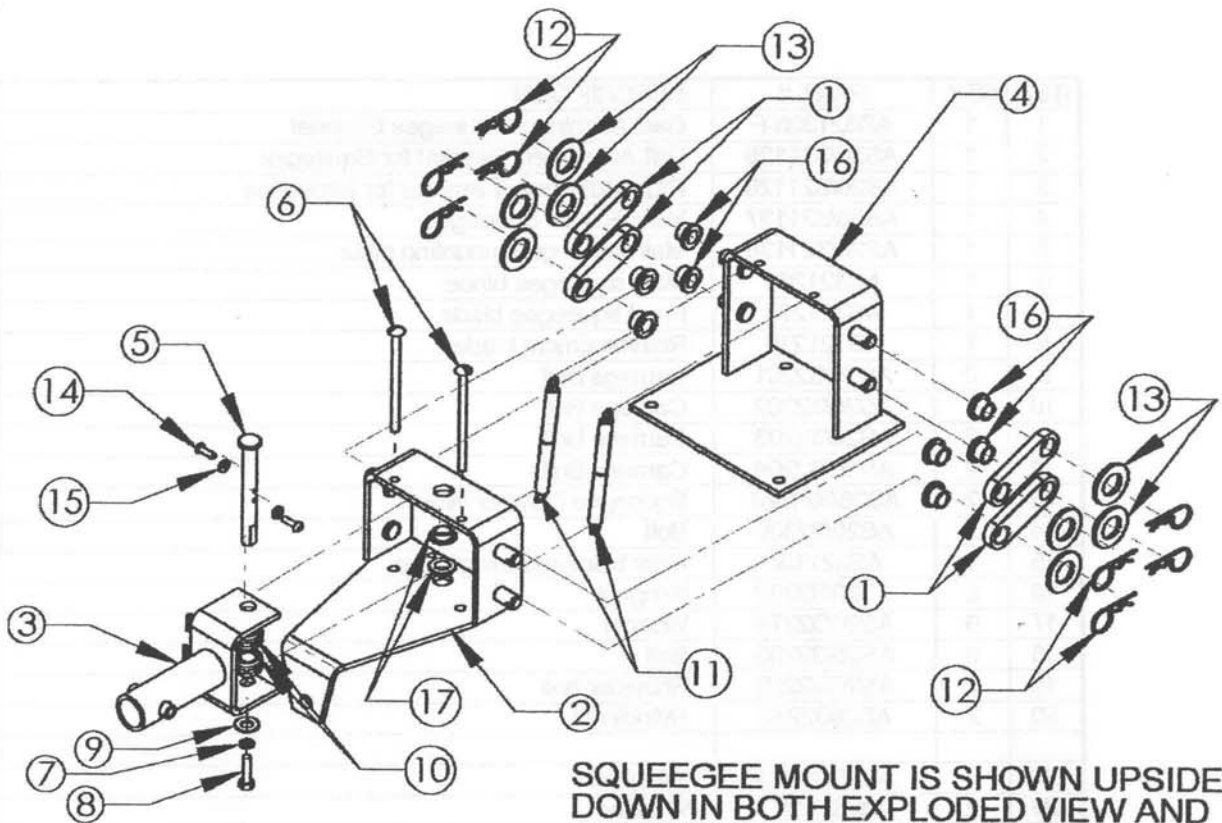
ITEM	QTY.	PART NO.	DESCRIPTION
1	1	AS26/32752	Recovery Tank Lid (black)
2	1	AS26/32001	Vacuum Intake
3	1	AS26/321271	Rubber Flap (for vacuum intake)
4	1	AS26/32820	Hose adapter (for inside recovery lid)
5	1	AS26/321278	Vacuum intake gasket
6	1	AS26/321141	Recovery Lid Plate
7	2	AS26/32900	Pipe nut
8	2	AS26/32276	Washer
9	1	AS26/321261	Gasket
10	1	AS26/321818	Recovery lid gasket - long
11	1	AS26/321819	Recovery lid gasket - short
12	12	AS26/32261	Screw
13	1	AS321803	Vac Hose - vac motor to recovery lid
14	1	AS26/321805	Vac Hose - squeegee to recovery lid
15	1	AS26/321355	Hose adapter
16	1	AS26/321806	Vac hose - inside recovery lid
17	2	AS26/32305	Hose Clamp
18	1	AS26/321000	Hose clamp
19	1	AS26/321274	Gasket for vacuum intake (self-adhesive)
20	1	AS26/32985	Vacuum intake screen

SPLASH SKIRT ASSEMBLY AND PARTS LIST



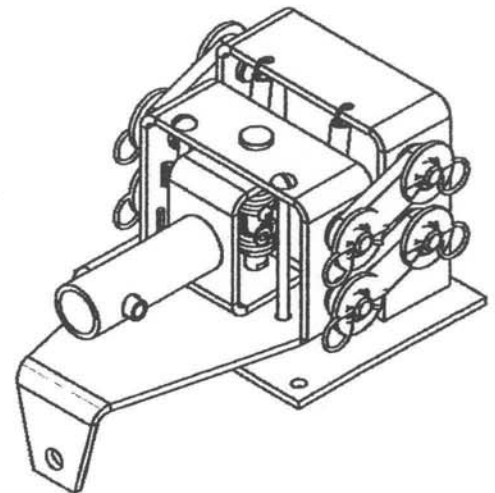
ITEM	QTY.	PART NO.	DESCRIPTION
1	1	AS32751	Plastic Skirt
2	1	AS321272	Rubber Splash Skirt
3	1	AS321131	Skirt retainer, for splash skirt (includes all 4 pieces)
4	21	AS26/32257	Screw
5	2	AS26/32982	Detent Pin (single ball with grip ring)
6	2	AS26/32261	Screw
7	2	AS26/3224	Nyloc nut
8	2	AS26/32327	Lanyard for skirt detent pin

SQUEEGEE MOUNT ASSEMBLY AND PARTS LIST



SQUEEGEE MOUNT IS SHOWN UPSIDE DOWN IN BOTH EXPLODED VIEW AND ASSEMBLED VIEW. THE BEST WAY TO WORK ON IT IS TO REMOVE IT FROM THE SCRUBBER AND TURN IT UPSIDE DOWN.

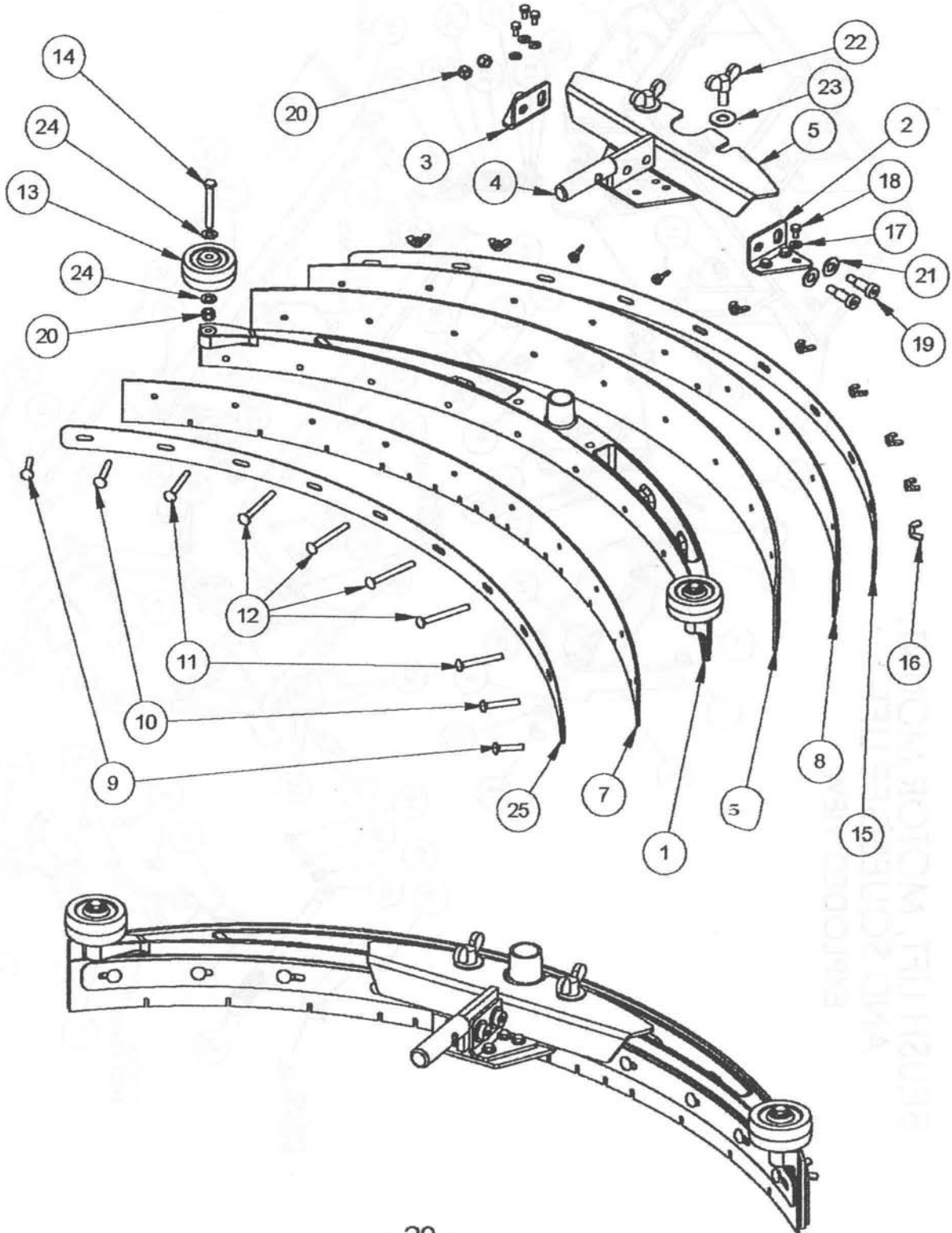
ITEM	QTY.	PART NO.	DESCRIPTION
1	4	AS26/321120	Linkage Bar
2	1	AS26/321133	Squeegie mount housing
3	1	AS26/321140	Squeegie mount yoke
4	1	AS26/321129	Squeegie mount bracket
5	1	AS26/32830	Torsion pin
6	2	AS26/32328	Screw
7	1	AS26/32291	Lock washer
8	1	AS26/32206	Bolt
9	1	AS26/32279	Washer
10	2	AS26/32920	Torsion spring
11	2	AS26/32723	Squeegie mount return spring
12	8	AS26/32254	Hair pin cotter
13	8	AS26/32278	Washer
14	2	AS26/32329	Screw
15	2	AS26/32296	Nylon washer
16	8	AS26/32650	Flange Bushing
17	2	AS26/32653	Flange Bushing



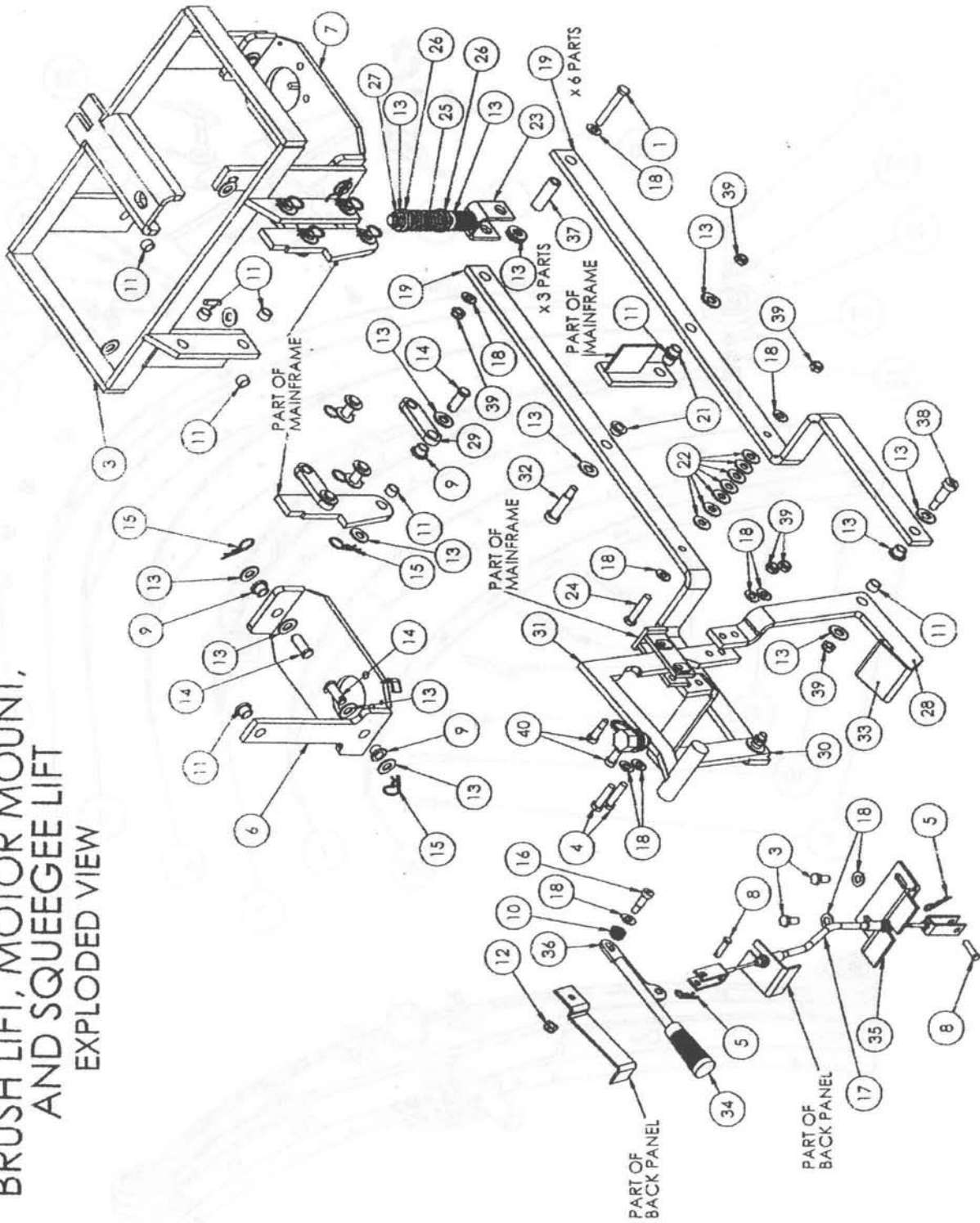
SQUEEGEE ASSEMBLY PARTS LIST

ITEM	QTY.	PART #	DESCRIPTION
1	1	AS321325-F	Cast Aluminum Squeegee Channel
2	1	AS26/321125	Left Adjustment Bracket for Squeegee
3	1	AS26/321126	Right Adjustment Bracket for Squeegee
4	1	AS26/321137	Yoke Bar for Squeegee
5	1	AS26/321138	Main squeegee mounting plate
6	1	AS321269	Main squeegee blade
7	1	AS321273	Front squeegee blade
8	1	AS321270	Reinforcement blade
9	2	AS26/32201	Carriage Bolt
10	2	AS26/32202	Carriage Bolt
11	2	AS26/32203	Carriage Bolt
12	2	AS26/32204	Carriage Bolt
13	2	AS26/321381	Squeegee Bumper Wheel
14	2	AS26/32330	Bolt
15	1	AS321130	Rear blade retaining strap
16	8	AS26/32332	Wingnut
17	6	AS26/32279	Washer
18	6	AS26/32205	Bolt
19	2	AS26/32222	Shoulder bolt
20	2	AS2632244	Nylock nut
22	2	AS26/32231	Wingbolt
23	2	AS26/32277	Washer
24	4	AS26/32282	Washer
25	1	AS321110	Front blade retaining strap
26	1	AS321802	Entire Squeegee Assembly
*	1	AS26/32251	Clevis pin to connect squeegee to squeegee mount
*	1	AS26/32254	Har pin cotter for above clevis pin

SQUEEGEE ASSEMBLY

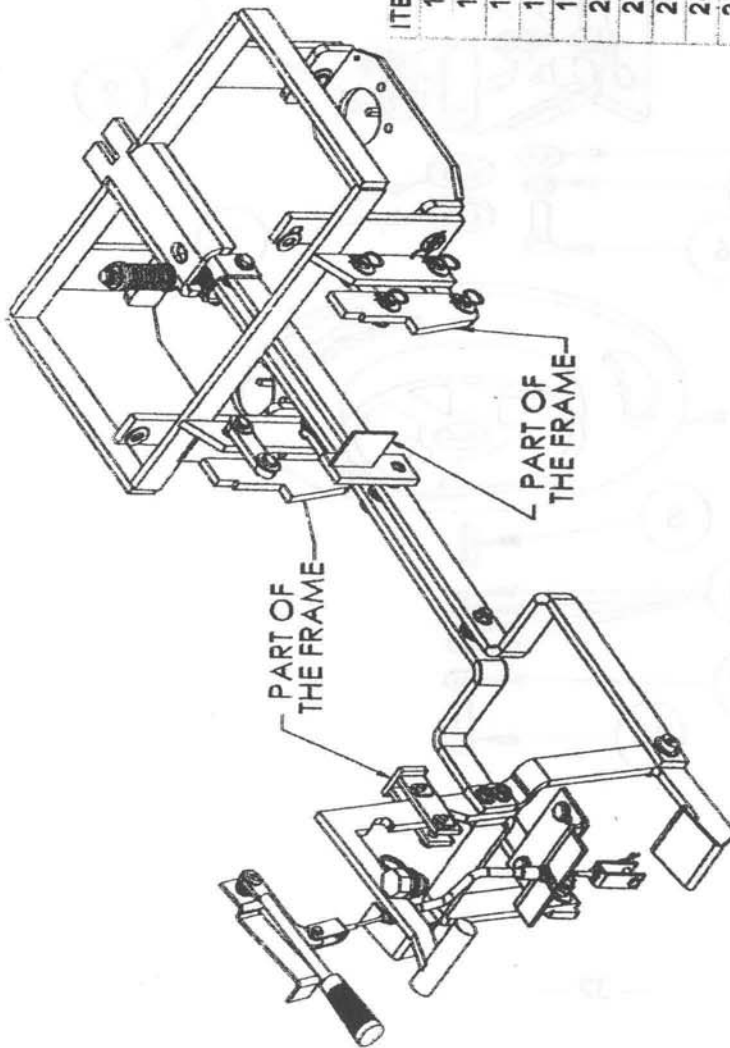


BRUSH LIFT, MOTOR MOUNT,
AND SQUEEGEE LIFT
EXPLODED VIEW



BRUSH LIFT, MOTOR MOUNT, AND SQUEEGEE LIFT

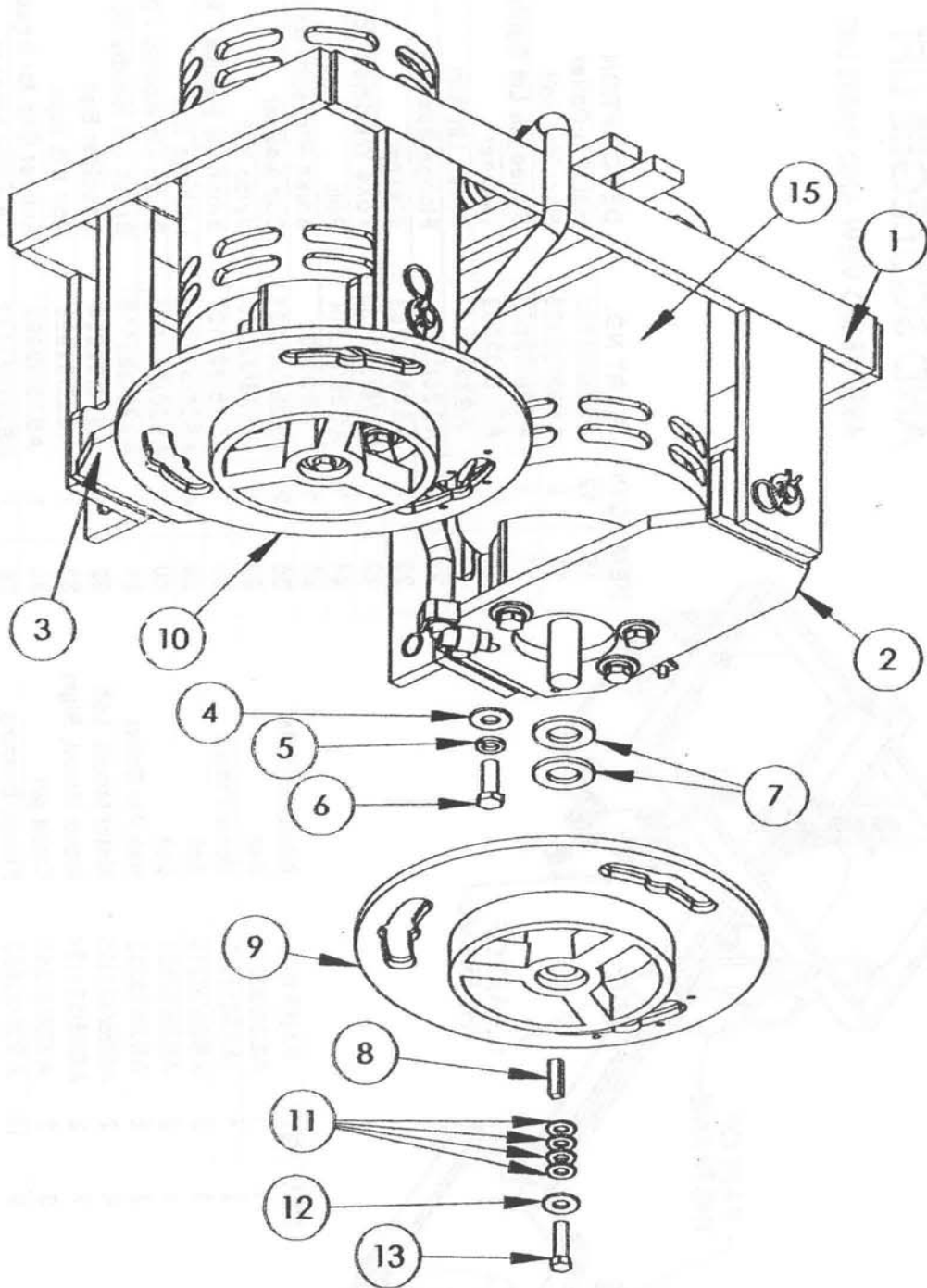
ASSEMBLED VIEW AND PARTS LIST



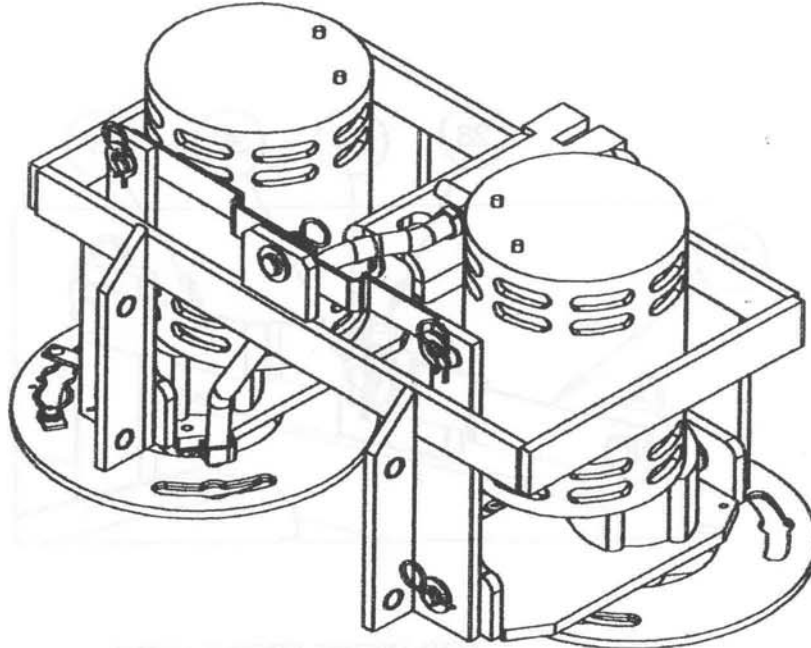
ITEM	QTY.	PART NO.	DESCRIPTION
15	12	AS26/32334	Hair Pin Cotter
16	3	AS26/32225	Shoulder Bolt
17	1	AS26/32602	Squeegee Lift Cable
18	11	AS26/32282	Washer
19	2	AS321115	Brush Lift Arm
21	2	AS26/32654	Flange Bushing
22	7	AS26/32283	Washer
23	1	AS26/321139	Yoke Weldment for Brush Lift
24	1	AS26/32214	Bolt
25	1	AS32721	Brush Pressure Spring
26	2	AS26/321221	Cup washer
27	1	AS26/32240	Nyloc Nut
28	1	AS26/321127	Brush Lift Handle - Pedal
29	4	AS26/321120	Linkage Bar
30	1	AS26/321128	Brush Lift Handle - Brace
31	1	AS26/321118	Brush Lift Handle Weldment
32	1	AS26/32224	Shoulder Bolt
33	1	AS26/32986	Non slip tape
34	1	AS26/32992	Rubber Grip for Squeegee Lift
35	1	AS26/321117	Lift cable bracket
36	1	AS26/321135	Squeegee Lift Handle
37	1	AS26/32832	Brush lift yoke bushing
38	2	AS26/32222	Shoulder Bolt
39	7	AS26/32244	Nyloc Nut
40	2	AS26/32225	Shoulder Bolt

ITEM	QTY.	PART NO.	DESCRIPTION
1	1	AS26/32216	Bolt
2	1	AS321122	Motor Frame
3	2	AS26/32210	Bolt
4	2	AS26/32331	Bolt
5	2	AS26/32333	Hair Pin Cotter
6	2	AS26/321123	Motor Mount, Left
7	2	AS26/321124	Motor Mount, Right
8	2	AS26/32341	Clevis pin
9	16	AS26/32650	Flange Bushing
10	1	AS26/32723	Squeegee Lift Spring
11	15	AS2632651	Sleeve Bushing
12	1	AS26/32245	Nyloc Nut
13	50	AS26/32278	Washer
14	12	AS26/32248	Clevis pin

MOTOR FRAME AND MOTOR MOUNT



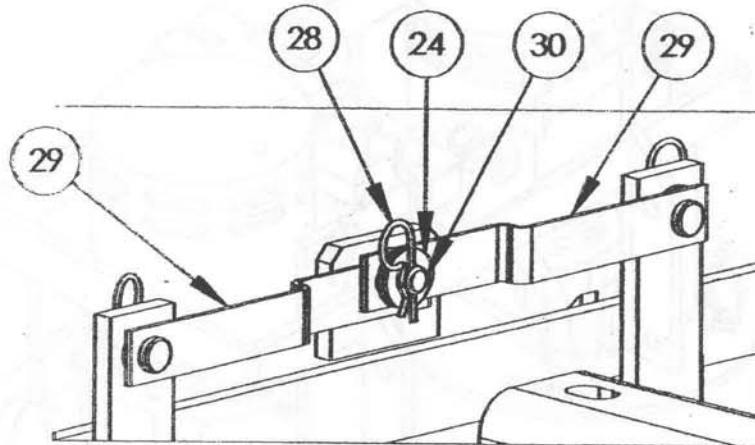
MOTOR FRAME AND MOTOR MOUNT



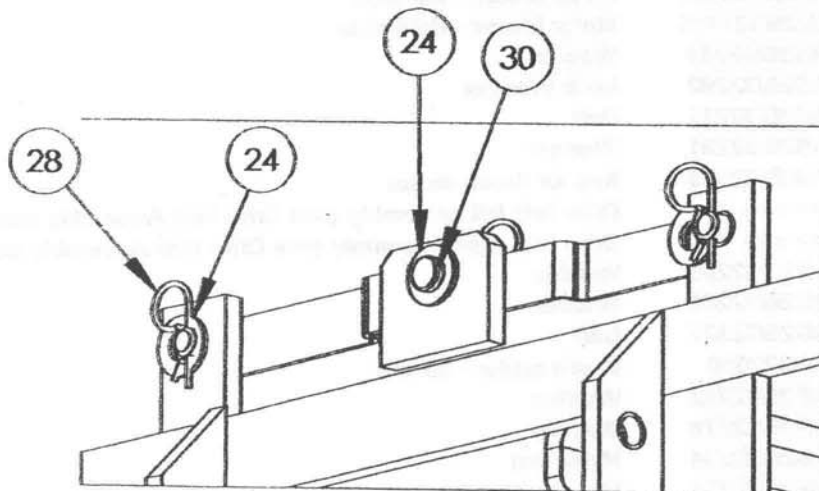
ITEM	QTY.	PART NO.	DESCRIPTION
1	1	AS321122	Motor Frame
2	1	AS26/321123	Motor Mount - left side
3	1	AS26/321124	Motor Mount - right side
4	8	AS26/32283	Washer
5	8	AS26/32292	Lock Washer
6	8	AS26/32211	Bolt
7	4	AS26/32281	Washer
8	2	AS26/32338	Key for brush motor
9	1	>> see >>	Drive hub left assembly (see Drive Hub Assembly parts list)
10	1	>> see >>	Drive hub right assembly (see Drive Hub Assembly parts list)
11	16	AS26/32285	Washer
12	2	AS26/32286	Washer
13	2	AS26/32337	Bolt
15	2	AS32050	Brush motor - 36 volt
22	3	AS26/32282	Washer
24	6	AS26/32278	Washer
25	1	AS26/32244	Nyloc nut
28	6	AS26/32334	Hair pin cotter
29	2	AS321146	Motor Linkage
30	4	AS26/32248	Clevis pin

MOTOR FRAME AND MOTOR MOUNT DETAILS

← PARTS LISTED ON PREVIOUS PAGE



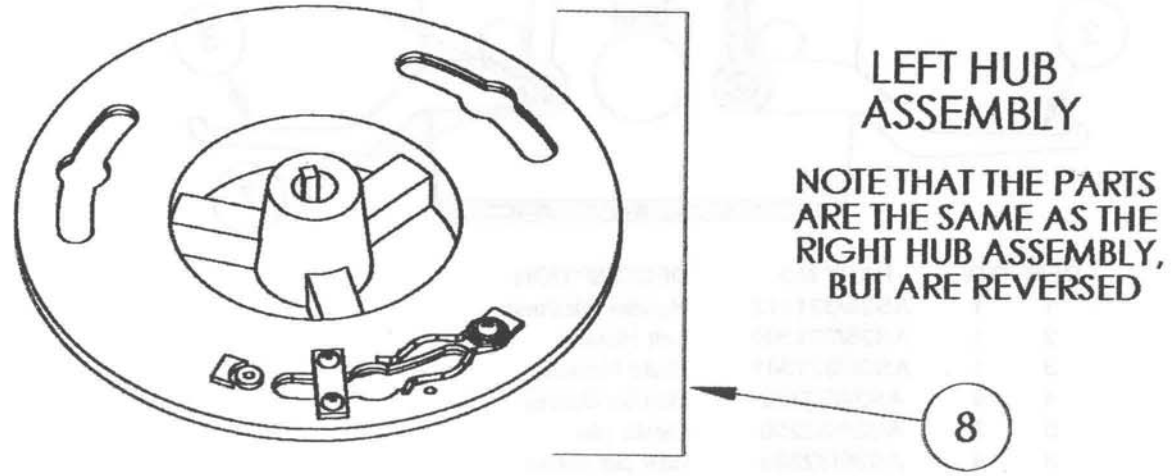
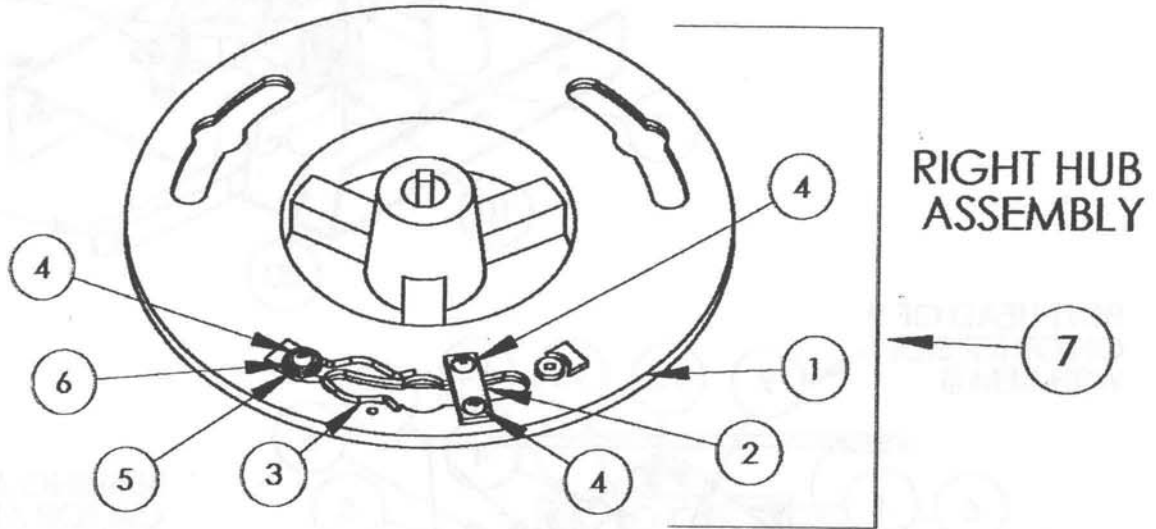
TOP-RIGHT-FRONT VIEW



BOTTOM-RIGHT-REAR VIEW

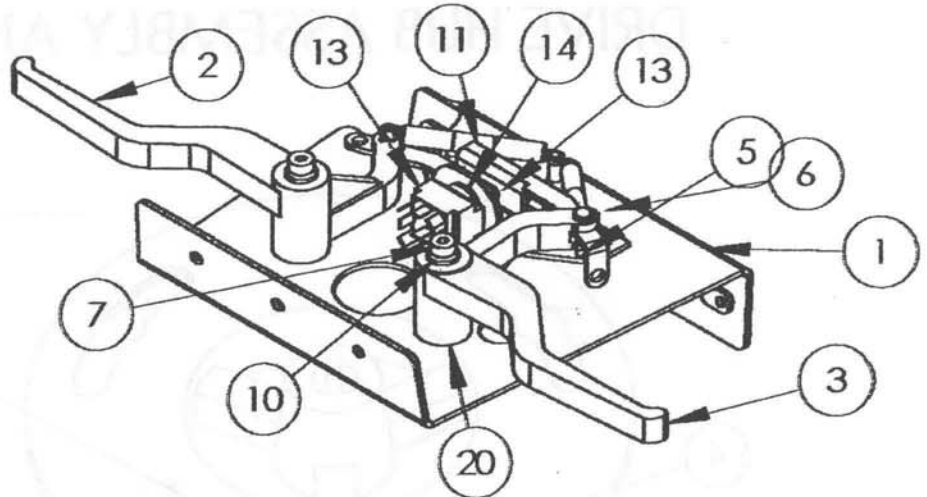
HANDLE ASSEMBLY FOR TRACTION DRIVE

DRIVE HUB ASSEMBLY AND PARTS LIST

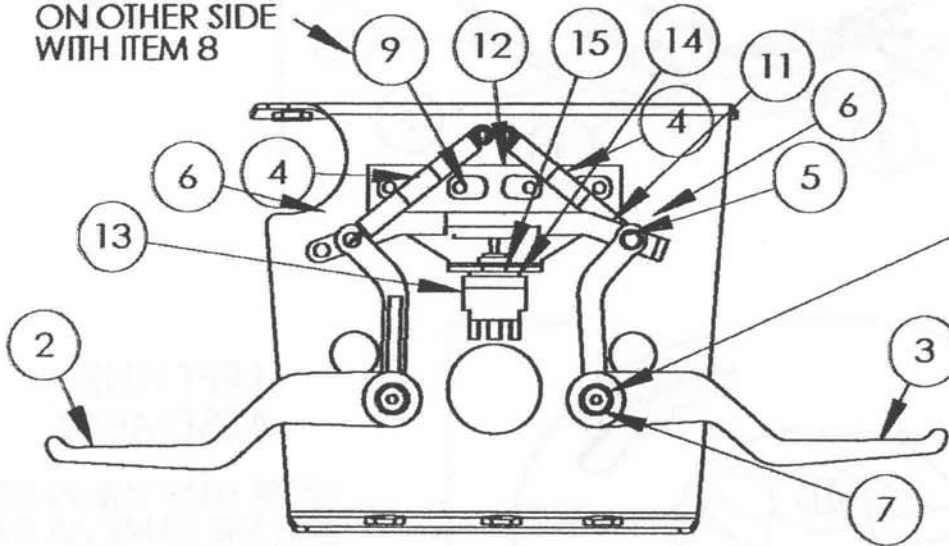


ITEM	QTY.	PART NO.	DESCRIPTION
1	1	AS26/32500	Drive Hub
2	1	AS26/321142	Brush Stop
3	1	AS26/32253	Special hairpin cotter
4	3	AS26/32335	Screw
5	1	AS26/32279	Washer
6	1	AS26/32280	Washer
7	1	AS26/322000	Right Drive Hub assembled (parts 1 through 6)
8	1	AS26/322001	Left Drive Hub assembled (parts 1 through 6)

HANDLE ASSEMBLY FOR TRACTION DRIVE



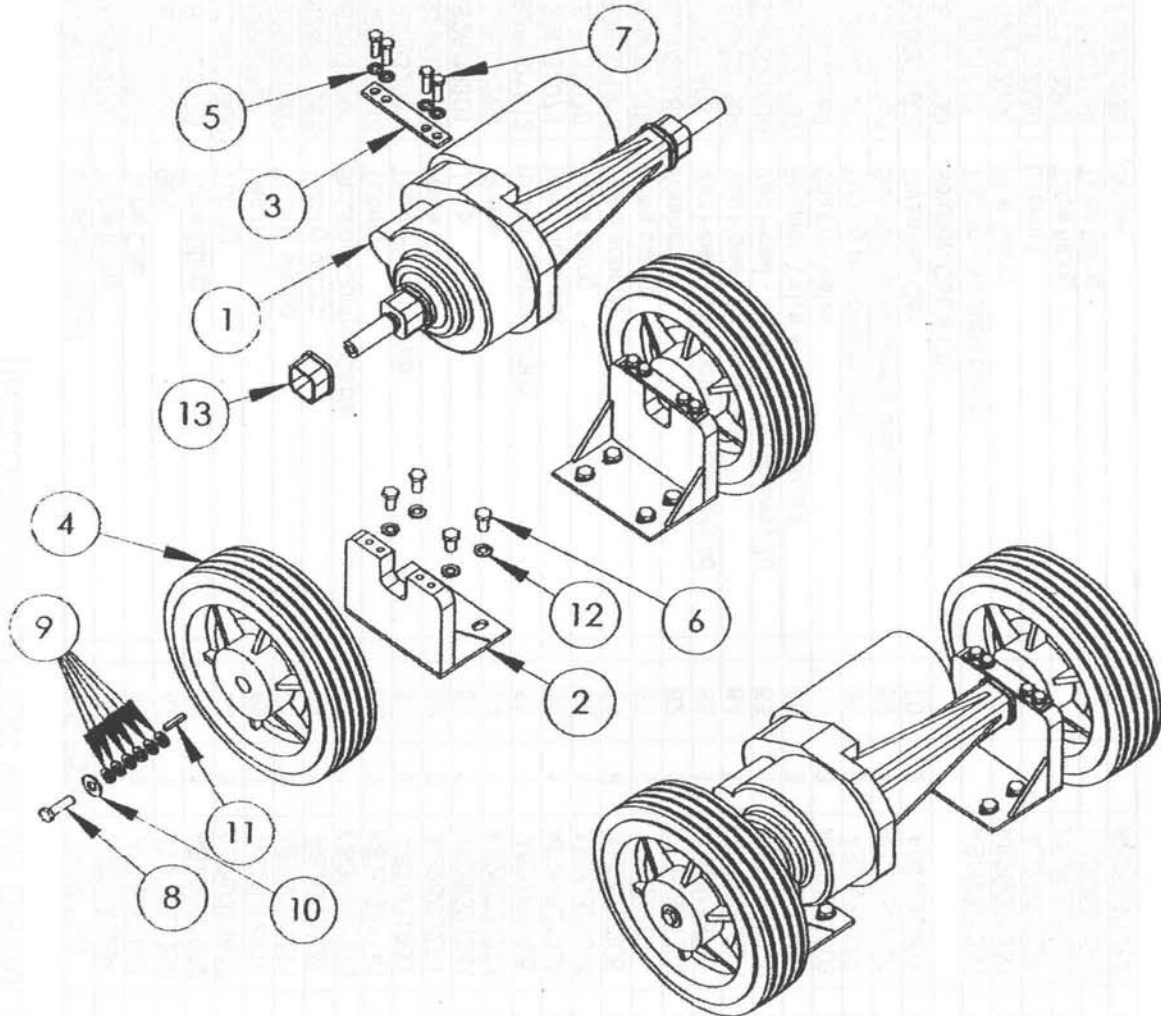
BOLT HEAD OF 9
ON OTHER SIDE
WITH ITEM 8



BUSHING #10
ON TOP AND
BUSHING #20
ON BOTTOM
OF HANDLE

ITEM	QTY.	PART NO.	DESCRIPTION
1	1	AS26/321112	Handle Platform
2	1	AS26/321300	Left Handle
3	1	AS26/321301	Right Handle
4	4	AS26/32722	Handle Spring
5	2	AS26/32250	Clevis pin
6	4	AS26/32333	Hair pin cotter
7	2	AS26/32226	Shoulder bolt
8	4	AS26/32279	Washer
9	4	AS26/32205	Bolt
10	4	AS26/32655	Flange bushing
11	1	AS26/321144	Switch Trigger (Traction Drive Only)
12	1	AS26/321145	Switch Mount (Traction Drive Only)
13	1	AS26/321375	Toggle Switch (Traction Drive Only)
14	1	AS26/321330	Grommet (Traction Drive Only)
15	1	AS26/32278	Washer (Traction Drive Only)
16	1	NA	Nuts for toggle switch (Traction Drive Only, comes with toggle switch - Item 13)
20	2	AS26/32656	Flange Bushing

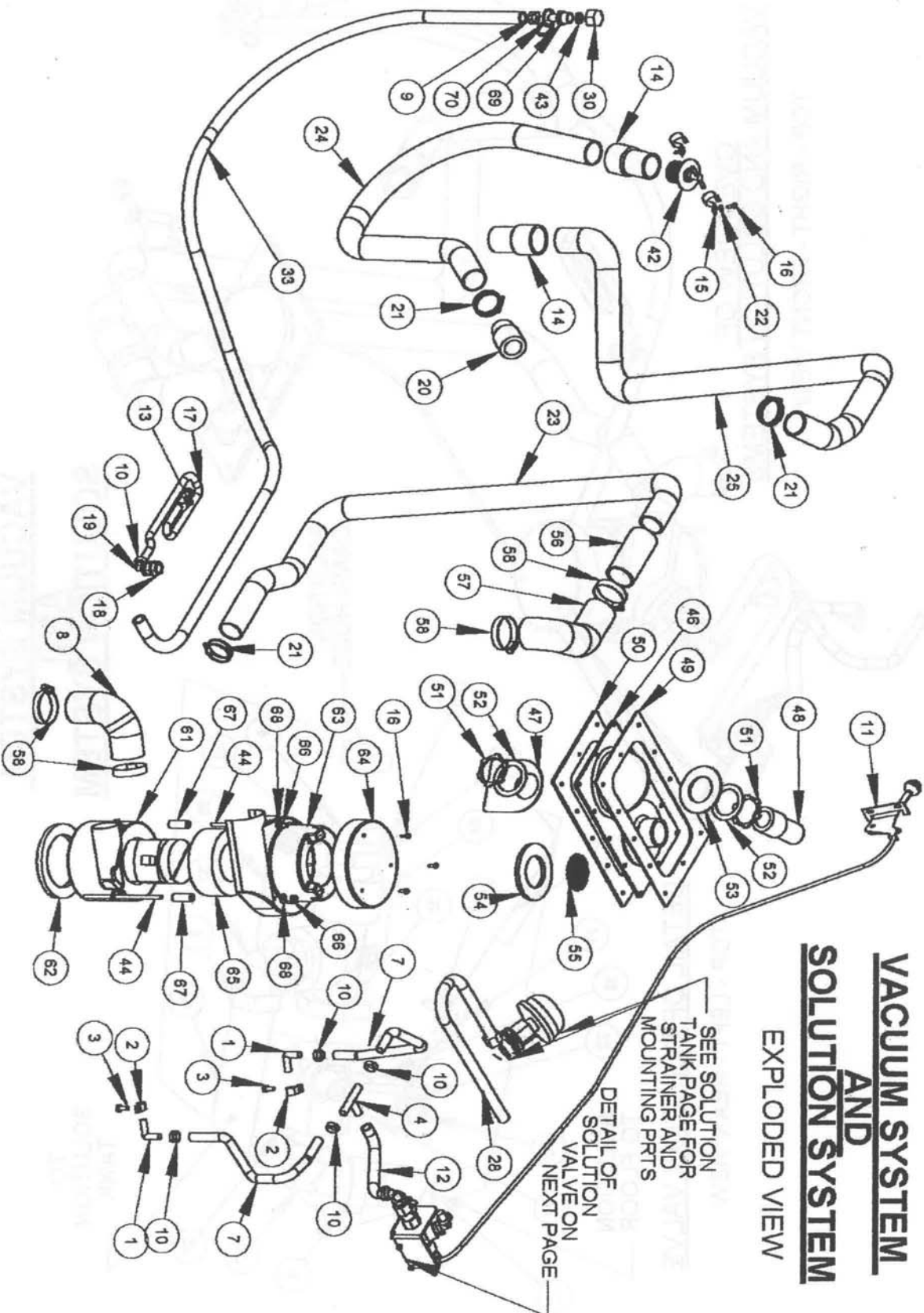
TRANSAXLE ASSEMBLY AND PARTS LIST



ITEM	QTY.	PART NO.	DESCRIPTION
1	1	AS32051	Transaxle
2	2	AS26/321147	Transaxle Bracket
3	2	AS26/321148	Transaxle Retainer
4	2	AS26/321383	Wheel 10 inch (keyed for Transaxle)
5	16	AS26/32293	Lock washer
6	8	AS26/32210	Bolt
7	8	AS26/32337	Bolt
8	2	AS26/32212	Bolt
9	12	AS26/32292	Lock washer
10	2	AS26/32283	Washer
11	2	AS26/32336	Key for transaxle
12	8	AS26/32292	Lock washer
13	2	AS26/322002	Rubber mounting sleeve

PARTS FOR VACUUM SYSTEM AND SOLUTION SYSTEM (INCLUDING SOLUTION VALVE DETAIL)

ITEM	QTY.	PART NO.	DESCRIPTION	ITEM	QTY.	PART NO.	DESCRIPTION
1	2	AS26/32059	Tube fitting	39	4	AS26/32264	Screw
2	2	AS26/32339	Tube Clip	40	4	AS26/32242	Nyloc nut
3	2	AS26/32205	Bolt	42	1	AS26/321230	Drain Plug
4	1	AS26/32073	Tube fitting	43	1	AS26/321902	Hose washer
7	2	AS26/321809	Tubing	44	3	AS26/321817	Threaded Rod
8	1	AS321807	Vac hose	46	1	AS26/32001	Vacuum Intake
9	4	AS26/321267	Tubing clamp	47	1	AS26/321271	Rubber Flap (for vacuum intake)
10	5	AS26/321266	Tubing clamp	48	1	AS26/32820	Hose adapter
11	1	AS26/32601	Solution Control Cable	49	1	AS26/321278	Vacuum Intake gasket
12	1	AS26/321810	Tubing	50	1	AS26/321141	Recovery Lid Plate
13	1	AS26/32061	Tube Pinch Clamp	51	2	AS26/32900	Locknut
14	2	AS26/321353	Hose Cuff	52	2	AS26/32276	Steel washer
15	2	AS26/32301	J clip	53	1	AS26/321261	Rubber gasket
16	5	AS26/32269	Screw	54	1	AS26/321274	Gasket for vacuum intake (self-adhesive)
17	1	AS26/321813	tubing - battery drain	55	1	AS26/32985	Vacuum Intake Screen - stainless steel
18	2	AS26/32071	Nylon lock nut	56	1	AS26/321355	Hose Cuff
19	1	AS26/32070	Tube fitting	57	1	AS26/321806	Vac hose
20	1	AS26/321815	Hose adapter	58	4	AS26/32305	Hose clamp
21	3	AS26/321000	Hose clamp	61	1	AS32050-1	Vacuum motor
22	4	AS26/32280	Washer	62	1	AS26/321276	Gasket for bottom of vacuum motor
23	1	AS321803	Vac Hose - vac motor to recovery lid	63	1	AS26/32003	Vacuum motor cover - bottom
24	1	AS26/321804	Vac Hose - recovery drain	64	1	AS26/32003-1	Vacuum motor cover - top
25	1	AS26/321805	Vac Hose - squeegee to recovery lid	65	1	AS26/321279	Foam gasket for vacuum motor cover
26	1	AS26/321132	Solution Valve and Cable Mount	66	3	AS26/32241	Nyloc nut
27	1	AS26/32062	Solution Valve	67	3	AS26/322003	Spacer for vacuum cover
28	1	AS26/321811	Tubing (to solution tank)	68	3	AS26/32279	Washer
29	1	AS26/321151	Solution valve handle adapter	69	1	AS26/321901	Tube fitting
30	1	AS26/321900	Threaded Cap	70	2	AS26/32950	Split ring
31	1	AS26/32730	Solution Cable Clip				
33	1	AS321812	Tubing - solution drain			AS26/321351	1.5" vac hose (by the foot)
34	1	AS26/32055	Pipe fitting			AS26/321352	2" vac hose (by the foot)
35	1	AS26/32350	Locknut			AS26/32826	2" Heat Shrink Tubing (by the foot)
36	1	AS26/32052	Tube fitting			AS26/321264	3/8 Nylon reinforced tubing (by the foot)
37	2	AS26/32058	Tube fitting			AS26/321265	1/2 Wire reinforced tubing (by the foot)
38	2	AS26/32335	Screw			AS26/321262	3/8" acid resistant tubing (by the foot)

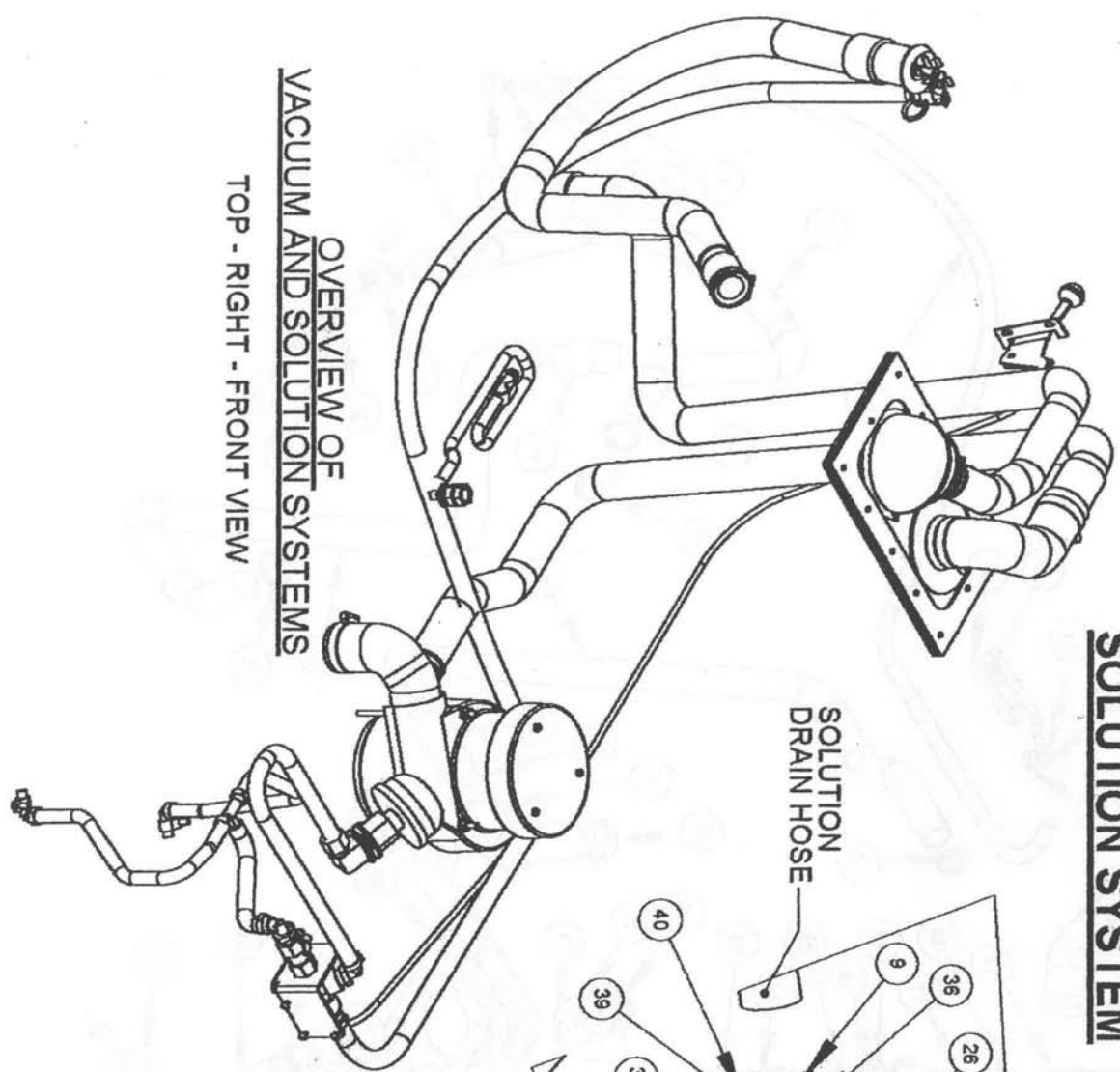


**VACUUM SYSTEM
AND
SOLUTION SYSTEM
EXPLODED VIEW**

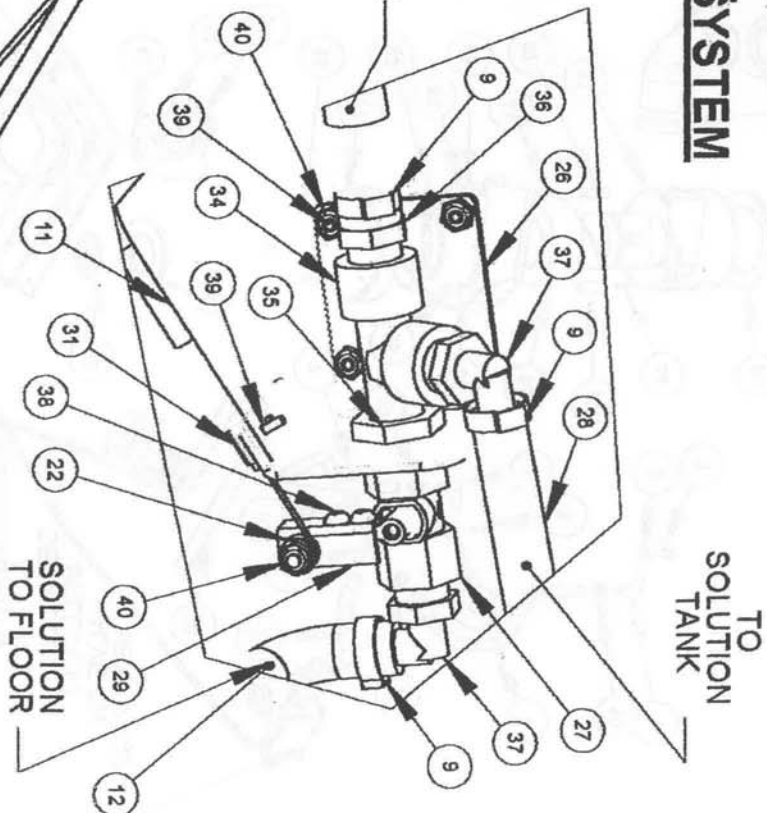
SEE SOLUTION
TANK STRAINER AND
MOUNTING PRTS
ON NEXT PAGE

DETAIL OF
SOLUTION
VALVE ON
NEXT PAGE

VACUUM SYSTEM
AND
SOLUTION SYSTEM



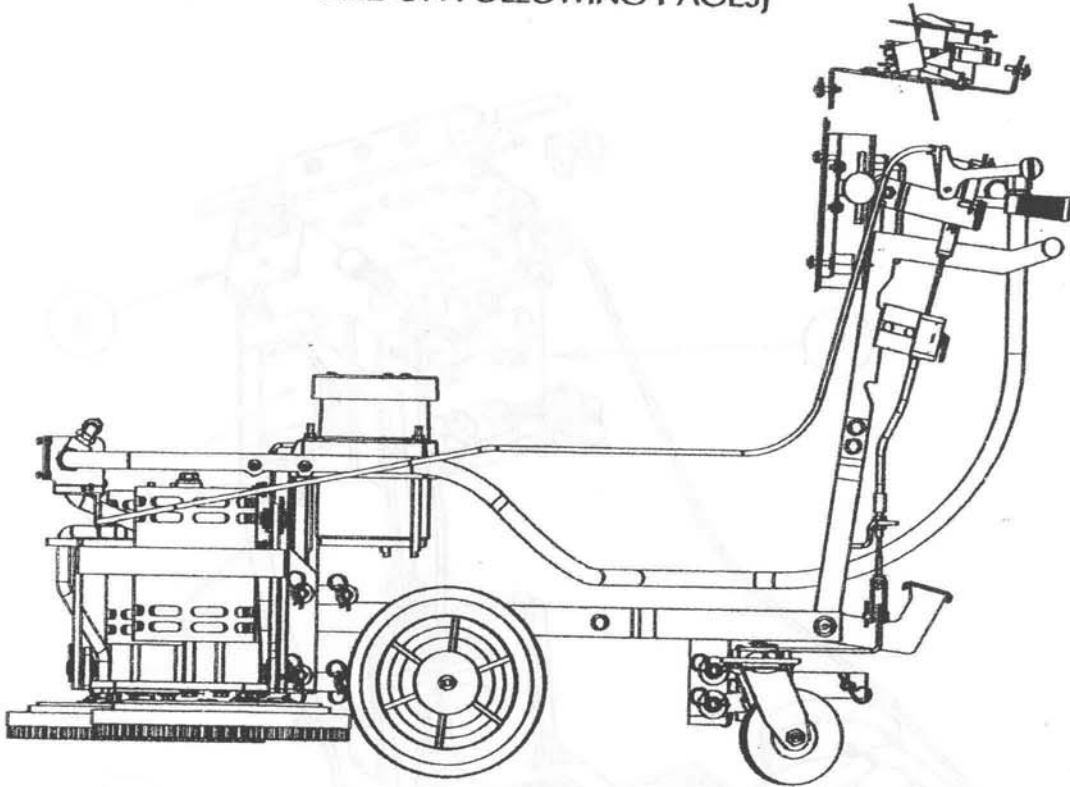
OVERVIEW OF
VACUUM AND SOLUTION SYSTEMS
TOP - RIGHT - FRONT VIEW



DETAIL OF SOLUTION VALVE
TOP - LEFT - REAR VIEW

VIEW OF SCRUBBER PARTS WITH
MAJOR PLASTIC PARTS, MAINFRAME,
AND VACUUM HOSES REMOVED

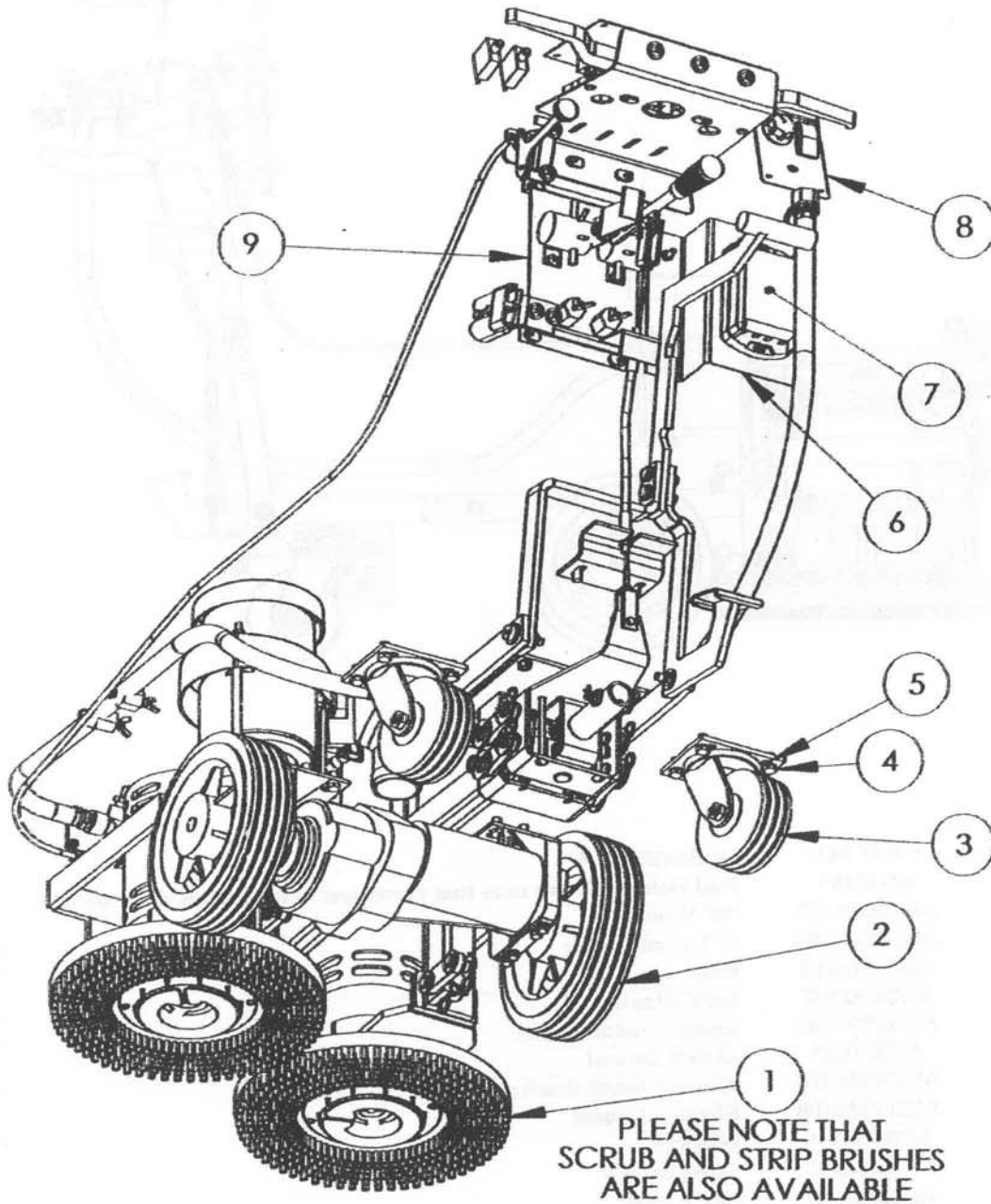
(VIEWS THAT SHOW LISTED PARTS
ARE ON FOLLOWING PAGES)



ITEM	QTY.	PART NO.	DESCRIPTION
1	2	AS32801	Pad Holder (please note that scrub and strip brushes are available)
2	2	AS26/321383	10" Wheel
3	2	AS26/321380	5" Swivel Caster
4	8	AS26/32210	Bolt
5	8	AS26/32292	Lock Washer
6	1	AS26/321149	Speed Control Mount
7	1	AS321600	Speed Control
8	1	AS26/321150	Speed Control Bracket
9	1	AS26/321108	Electrical Panel
10	5	AS26/32246	Wingnut
11	3	AS26/32317	Threaded rod
12	2	AS26/32302	Brass stud
13	2	AS26/32800	Terminal block
14	2	AS26/32232	Flanged nut
15	2	AS26/32261	Screw

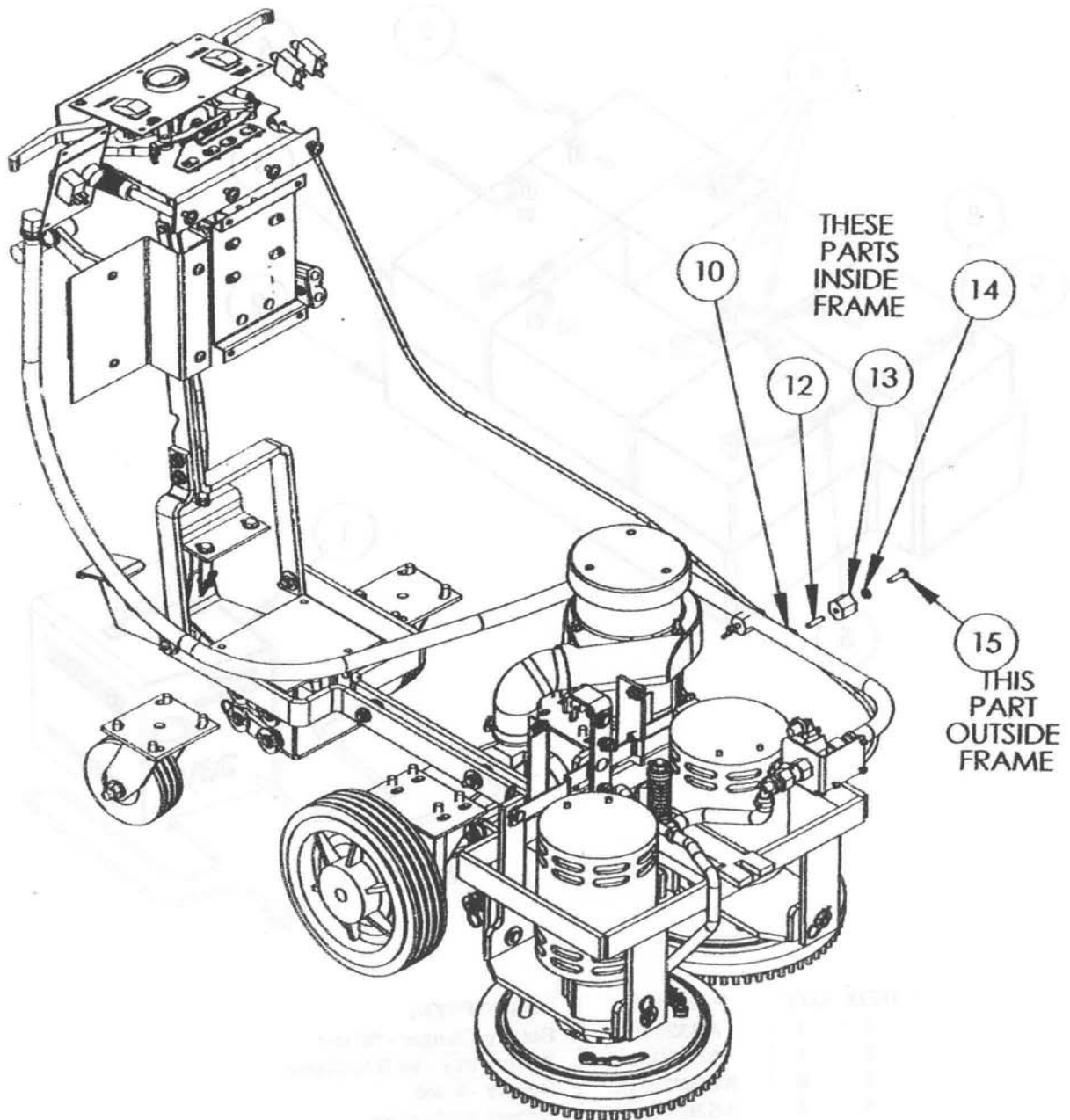
VIEW OF SCRUBBER PARTS WITH
MAJOR PLASTIC PARTS, MAINFRAME,
AND VACUUM HOSES REMOVED

(PARTS ARE LISTED ONE PAGE BACK)

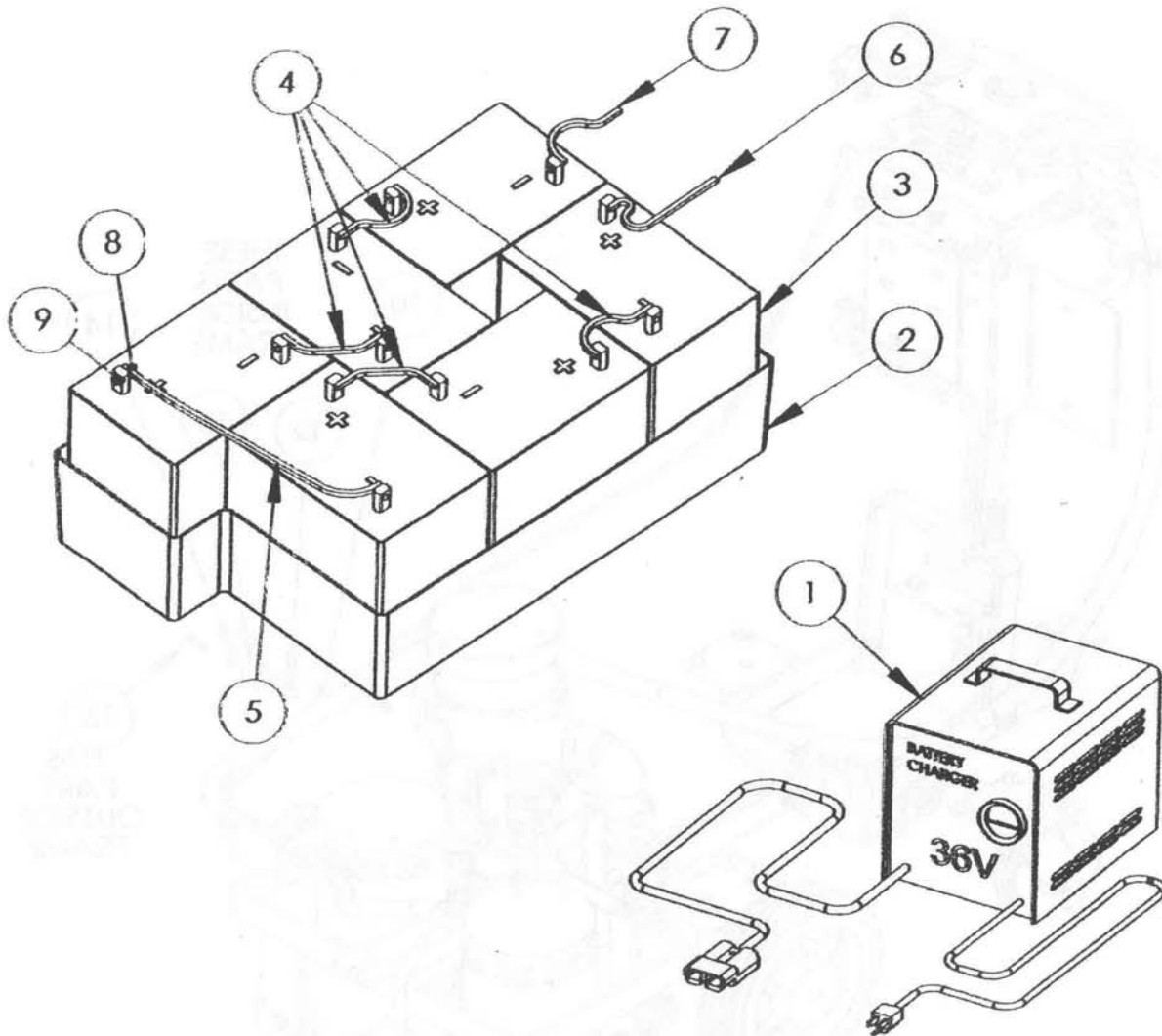


PLEASE NOTE THAT
SCRUB AND STRIP BRUSHES
ARE ALSO AVAILABLE

VIEW OF SCRUBBER PARTS WITH
MAJOR PLASTIC PARTS, MAINFRAME,
AND VACUUM HOSES REMOVED
(PARTS ARE LISTED 2 PAGES BACK)

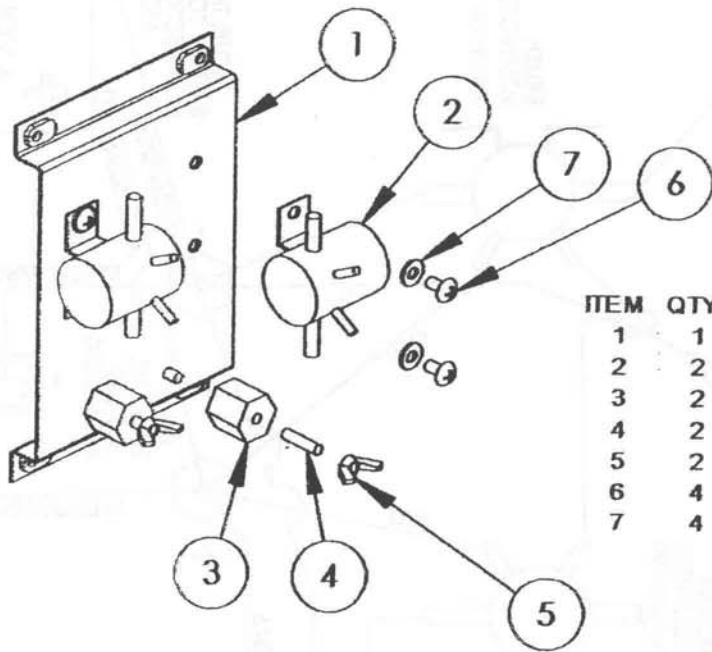


BATTERIES AND CHARGER

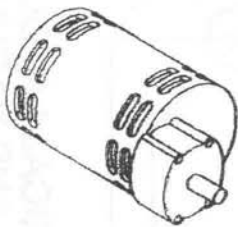
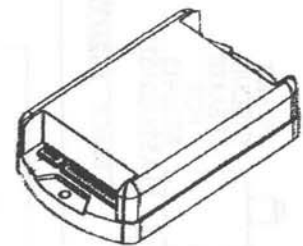


ITEM	QTY.	PART NO.	DESCRIPTION
1	1	AS32930	Battery Charger - 36 volt
2	1	AS32002	Battery tray - for 6 batteries
3	6	AS26/32710	Battery - 6 volt
4	4	AS26/32351	Battery connectors
5	1	AS26/32342	Battery connector - long
6	1	AS26/32342	Battery to positive terminal
7	1	AS26/32343	Battery to negative terminal
8	12	AS26/32209	Bolt
9	12	AS26/32232	Nut

ELECTRICAL PANEL AND PARTS AND OTHER ELECTRICAL PARTS

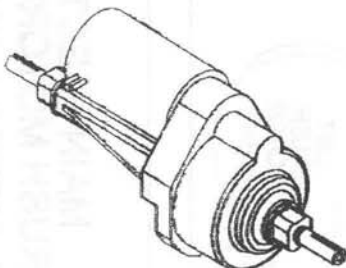


ITEM	QTY.	PART NO.	DESCRIPTION
1	1	AS26/321108	Electrical Panel
2	2	AS32700	Solenoid
3	2	AS26/32800	Terminal Block
4	2	AS26/32302	Brass stud
5	2	AS26/32246	Wingnut
6	4	AS26/32258	Screw
7	4	AS26/32279	Washer



PART NO.
AS32050
AS26/321845

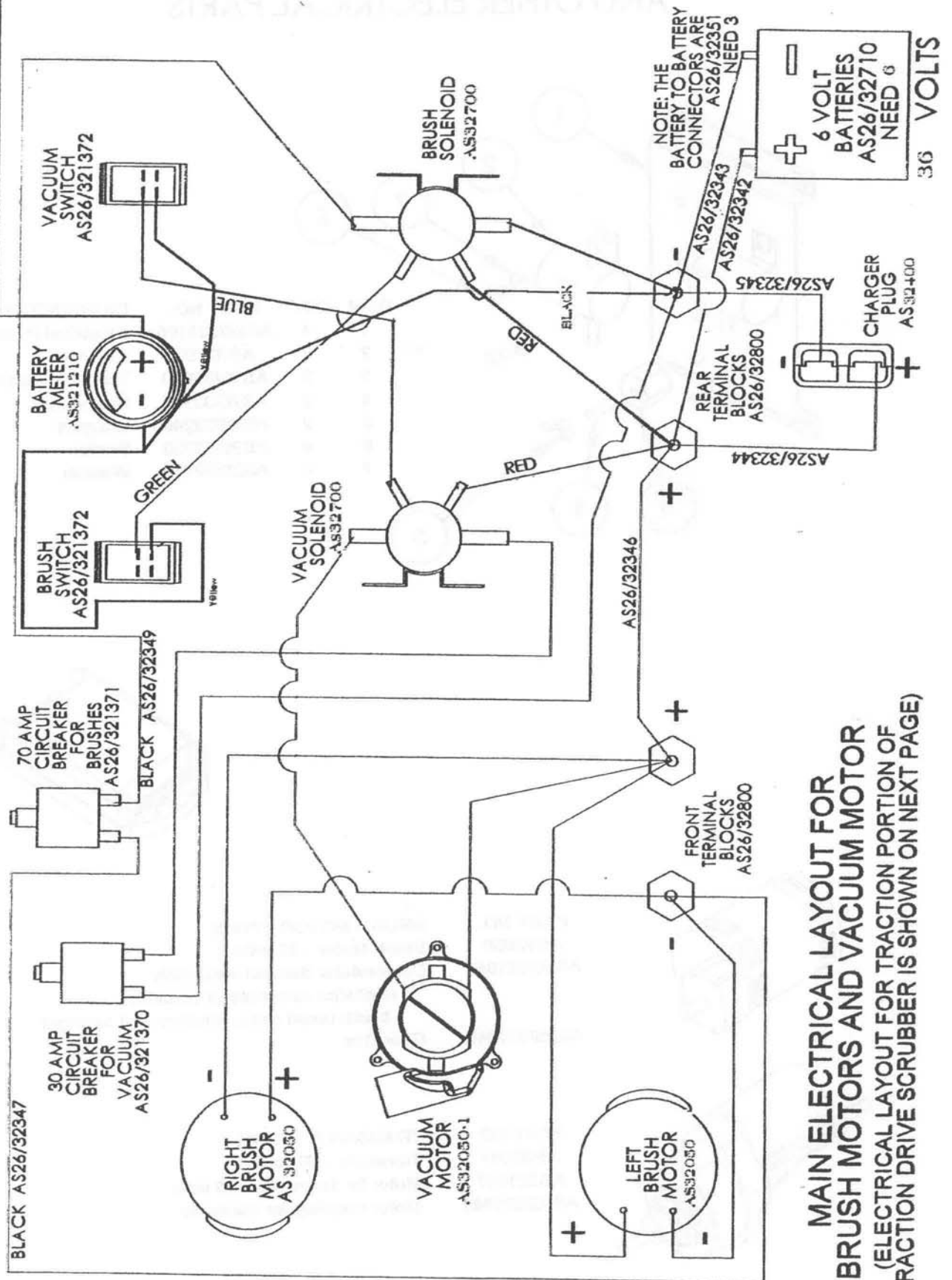
BRUSH MOTOR PARTS
Brush Motor - 36 volts
Commutator Bracket Assembly
(includes commutator bracket,
brush board assy, brushes and springs)
AS26/321846 Gear Box



PART NO.
AS32051
AS321847
AS26/321848

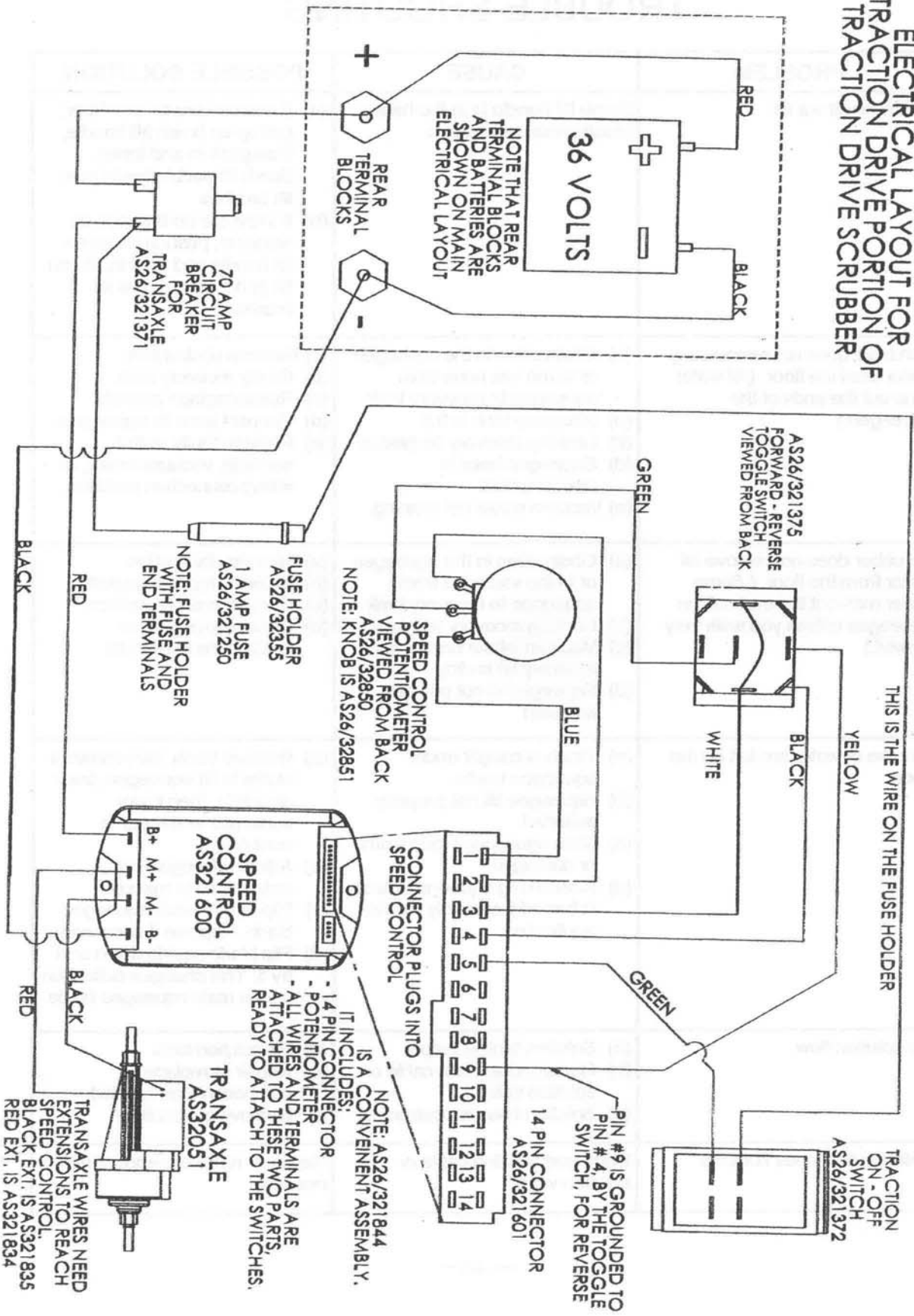
TRANSAXLE PARTS
Transaxle - 36 volts
Motor for Transaxle - 36 volts
Motor coupling for transaxle

This is the wire to on/off switch



**MAIN ELECTRICAL LAYOUT FOR
BRUSH MOTORS AND VACUUM MOTOR**
(ELECTRICAL LAYOUT FOR TRACTION PORTION OF
TRACTION DRIVE SCRUBBER IS SHOWN ON NEXT PAGE)

ELECTRICAL LAYOUT FOR TRACTION DRIVE PORTION OF TRACTION DRIVE SCRUBBER



TROUBLE-SHOOTING

PROBLEM	CAUSE	POSSIBLE SOLUTION
Brushes will not lift	Brush lift handle is in the heavy brush pressure position.	<p>(a) If brushes are on scrubber, pull up on brush lift handle, then push in and lower. Brush lift pedal should now lift brushes.</p> <p>(b) If there are no brushes on scrubber, push in on brush lift handle and hold in. Brush lift pedal should now lift brushes.</p>
Scrubber does not remove any water from the floor. (All water runs out the ends of the squeegee.)	<p>(a) Obstruction in the squeegee or in the vac hose from squeegee to recovery tank.</p> <p>(b) Recovery tank is full.</p> <p>(c) Leaking recovery lid gasket.</p> <p>(d) Squeegee hose is disconnected.</p> <p>(e) Vacuum motor not running.</p>	<p>(a) Remove obstruction.</p> <p>(b) Empty recovery tank.</p> <p>(c) Repair/replace gasket.</p> <p>(d) Connect hose to squeegee.</p> <p>(e) Replace faulty switch, solenoid, vacuum motor, or wiring connection problem.</p>
Scrubber does not remove all water from the floor. (Some water runs out the ends of the squeegee unless you walk very slowly.)	<p>(a) Obstruction in the squeegee or in the vac hose from squeegee to recovery tank.</p> <p>(b) Leaking recovery lid gasket.</p> <p>(c) Vacuum intake screen in recovery lid is dirty.</p> <p>(d) Squeegee is not properly adjusted.</p>	<p>(a) Remove obstruction.</p> <p>(b) Repair or replace gasket.</p> <p>(c) Clean screen or replace.</p> <p>(d) Adjust squeegee per instructions in manual.</p>
Streaks of water are left on the floor.	<p>(a) Trash is caught under squeegee blade.</p> <p>(b) Squeegee tilt not properly adjusted.</p> <p>(c) Main squeegee blade worn or damaged.</p> <p>(d) Reinforcing squeegee blade is turned incorrectly for the application.</p>	<p>(a) Remove trash. Sometimes it works to lift squeegee, back up a little, then lower squeegee and resume scrubbing.)</p> <p>(b) Adjust squeegee per instructions in manual.</p> <p>(c) Flip or turn main squeegee blade. Replace if necessary.</p> <p>(d) Flip blade upside down and try it. This changes deflection on the main squeegee blade.</p>
No solution flow	<p>(a) Solution tank is empty.</p> <p>(b) Damaged solution cable or solution valve.</p> <p>(c) Solution hose is obstructed.</p>	<p>(d) Fill solution tank.</p> <p>(e) Repair or replace components as needed.</p> <p>(f) Remove obstruction.</p>
Solution flow does not stop	Damaged solution cable or solution valve.	Repair or replace components as needed.

TROUBLE-SHOOTING

PROBLEM	CAUSE	POSSIBLE SOLUTION
Cleaning is not even	(a) Pads or scrub brushes are worn. (b) Solution is low. (c) Solution not flowing properly due to crimp in distribution hose. (d) Solution not flowing properly due to obstruction in distribution hose. (e) Brush motor or motors are not running.	(a) Replace as needed. (b) Fill solution tank. (c) Remove crimp from distribution hose. (d) Clear obstruction from hose. (e) Reset breaker. Check connections. <i>(note: if breakers continue to trip, call authorized service personnel.)</i>
Total runtime is low	(a) Battery terminals are dirty. (b) Water level in batteries is low. (c) Batteries are not fully charged. (d) Batteries are bad. (e) Charger is broken.	(a) Clean terminals and connectors. (b) Add distilled water to each battery cell. Do not overfill. <i>(See instructions in manual.)</i> (b) Charge batteries. (c) Replace batteries. (d) Fix or replace charger.
Scrubber is "dead". Nothing will work.	(a) Bad connection involving batteries. (b) Dead batteries. (c) Batteries are bad. (d) Charger is broken.	(a) Check and clean connections. (b) Try charging batteries. (c) Replace batteries. (d) Fix or replace charger.
The self-propelled traction drive model will not go forward or backward.	(a) Traction drive switch was left on. Speed control powers down after 20 minutes. (b) Bad toggle switch in handle. (c) Circuit breaker is tripped.	(a) Turn switch off and back on. (b) Replace toggle switch. (c) Reset circuit breaker. <i>(note: if breakers continue to trip, call authorized service personnel.)</i>
The self-propelled traction drive model will go forward, but not backward; or otherwise does strange things.	(a) Potentiometer is bad. (b) Loose connection.	(a) Replace if bad. (b) Check connections to switches. Check connections in connector at speed control.
Nothing I find here fixes the problem.	Problem could have several causes. Everything cannot be covered here.	Call authorized service personnel.

IMPORTANT

- THE TROUBLE-SHOOTING TIPS ARE NOT INTENDED TO TAKE THE PLACE OF AUTHORIZED SERVICE PERSONNEL.
- IF YOU ARE UNSURE OF WHAT TO DO—THEN DO NOT DO ANYTHING, EXCEPT TO CONTACT AUTHORIZED SERVICE PERSONNEL.
- BEFORE WORKING ON THIS MACHINE, YOU MUST BE FAMILIAR WITH THE SAFETY INSTRUCTIONS IN THIS MANUAL.



When Performance Counts... You Can Count on POWERBUFF!

AUTOMATIC FLOOR SCRUBBER LIMITED WARRANTY

PowerBuff, Inc. warrants new machines to be free from defects in material and workmanship under normal use and service to the original purchaser. This warranty period is subject to the conditions stated below.

FIVE YEAR WARRANTY FOR PARTS AND SERVICE LABOR

Most parts are covered for five years. Please see other warranties and exclusions below.

TEN YEAR WARRANTY ON SOLUTION AND RECOVERY TANKS

BATTERY AND BATTERY CHARGER WARRANTIES

Battery warranty is for one year on a pro rated basis. Battery warranty is void if batteries are not maintained at the proper fluid level with distilled water. Battery charger is warranted for one year.

EXCLUSIONS

This warranty does not cover normal wear and maintenance items including, but not limited to: carbon motor brushes, scrub brushes, squeegees, valves, gaskets, wheels, casters, and routine adjustments. This warranty does not cover damage or failure which is the result of misuse, negligent operation, handling or repair, or which is the result of modification or repair by any person other than an authorized PowerBuff, Inc. service representative.

LIMITATIONS

STATED WARRANTIES ARE IN LIEU OF ALL OTHER WARRANTIES, EXPRESSED OR IMPLIED. PowerBuff's liability under this warranty is limited to repair of the product and/or replacement parts and is given to purchaser in lieu of all other remedies, including incidental and consequential damages.

WARRANTY DETAILS AND CLAIM PROCEDURES

PowerBuff, Inc. warrants to buyer that for the applicable shipment, such material will be free from defects in material and workmanship or failure to meet specifications (a defect) appears in the material; then seller will, at it's option, either repair or replace the defective goods without charge or credit or refund the purchase price of the defective material, provided that:

- 1) The defect appears within the applicable warranty period.
- 2) Buyer notifies seller in writing of the claimed defect promptly after buyer knows or reasonably should know of the claimed defect.
- 3) Seller's examination of the material discloses that the claimed defect actually exists.

Buyer shall follow seller's instruction regarding return of defective material, and no material will be accepted for repair, replacement, credit, or refund without the written authorization of and in accordance with seller's instructions. In the case of any such return, buyer shall bear the risk of in-transit loss or damage; and shall prepay all transportation charges to seller. Repaired or replacement material will be shipped prepaid by seller, and buyer shall bear the risk of in-transit loss or damage. The replaced material shall become the seller's property.

PowerBuff, Inc. • Phone 800-523-2833 • Stoneville, NC