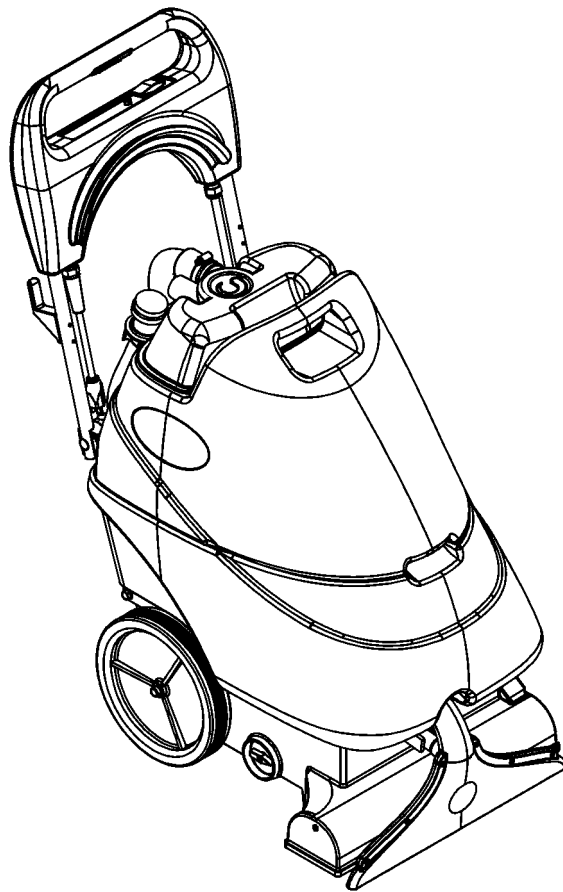


AX 410

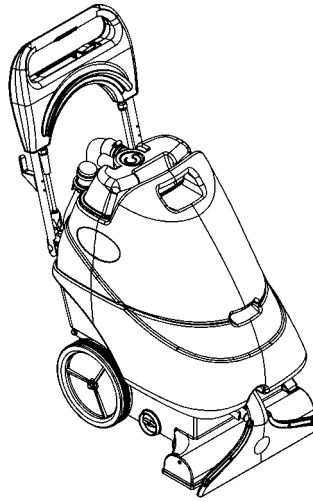
PARTS LIST



CE

11/04 revised 7/10
FORM NO. 56042506

56265002(230V), 56265007(100V J)



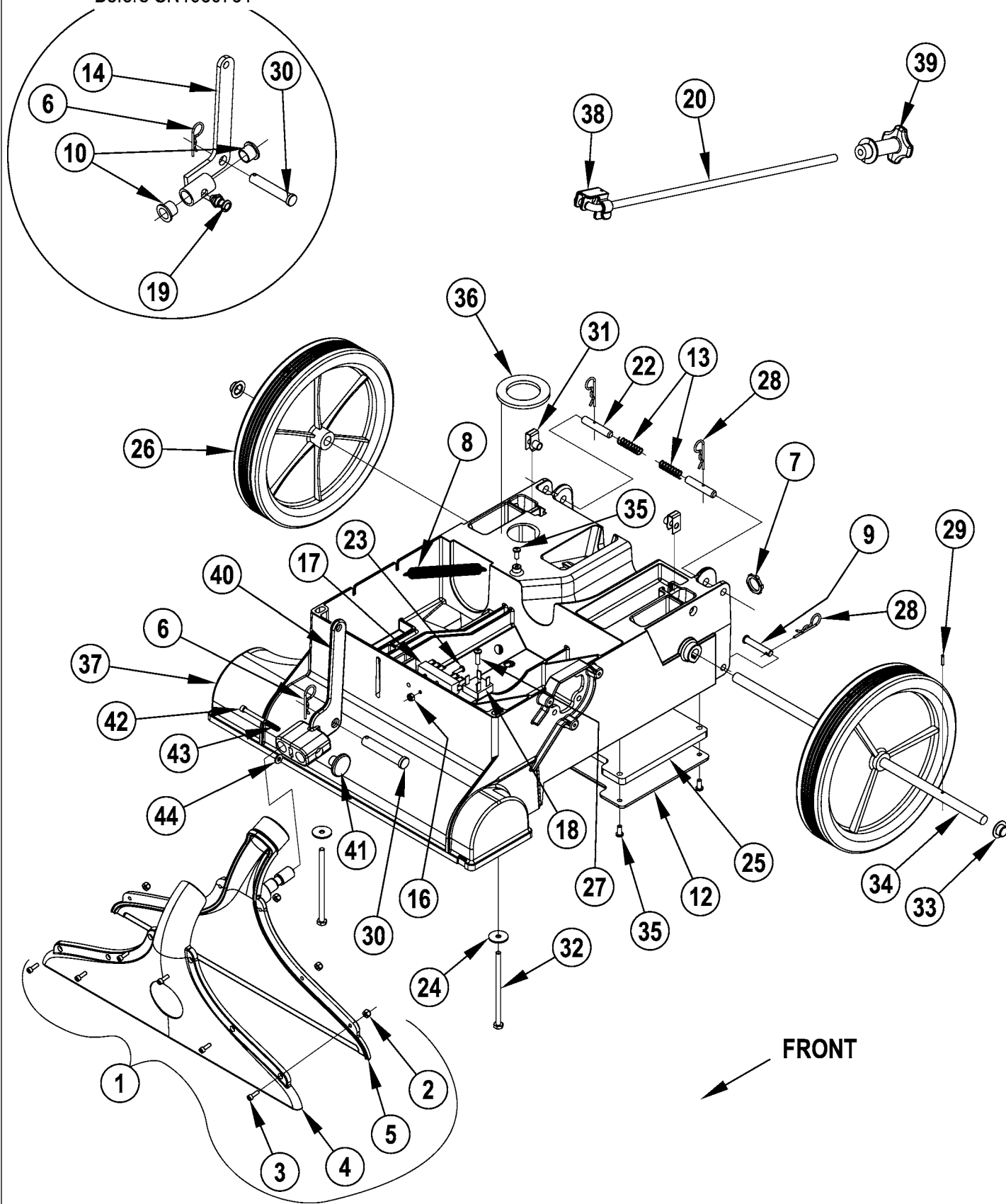
DESCRIPTION	PAGE
Base System	2-3
Brush System	4-5
Decal System	6-7
Handle System 16	8-9
Recovery System	10-11
Solution Pump System	12-13
Solution Tank Assembly	14-15
Wiring Diagram 100V (AX 410 J)	16-17
Wiring Diagram 230V (AX 410)	18-19
Accessories	20

WHEN ORDERING PARTS

- * Use the part numbers from the "Ref. No." columns in this parts list.
- * Specify the model and serial number of the machine.
- * Use the space below to record the model and serial number for future reference.

Model _____ Serial No. _____

Before SN1980731



04-11

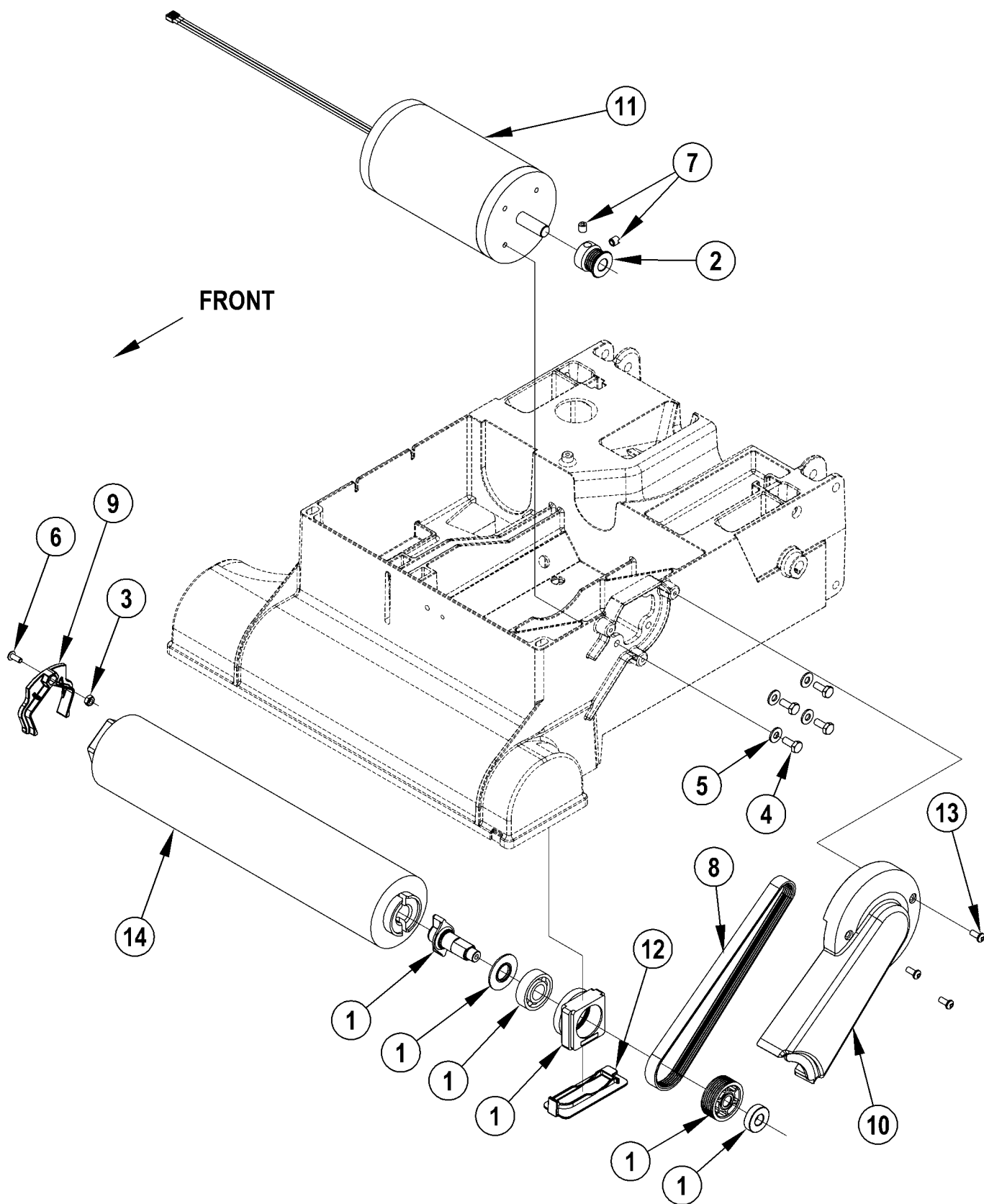
BASE SYSTEM

08-12

AX 410**3**

Item	Ref. No.	Qty	Description
1	56265067	1	Shoe Assembly, 16 (items 2-5)
2	56002865	6	Nut, Hex Nyl Loc-Thin 8-32
3	56002101	6	Scr, Soc Hd 8-32 x 0.50
4	56265068	1	Shoe Front, 16
5	56265069	1	Shoe Back, 16, Assy
6	56002959	1	Pin, Cotter Hair
7	56009095	1	Nut, Conduit Lock 1/2-14
8	56398606	1	Spring, Ext .50 x 6.25
9	56321404	2	Clevis Pin .3125 x 1.84
10	56171095	2	Bearing, Flange before SN1980731
12	56265148	1	Panel, Exhaust
13	56228142	2	Spring, Compression
14	56265116	1	Linkage Weldment, 16 before SN1980731 / NOTE 1
16	56002865	1	Nut, Hex Nyl Loc-Thin 8-32
17	56260071	1	Terminal Block
18	56265103	1	Rectifier, 35 Amp
19	56365548	1	Lock Pin Assy before SN1980731
20	56265100	1	Rod, Brush Adjustment
22	56265073	2	Pin, Pivot
23	56002146	1	Scr, Pan Phil 8-32 x .62
24	56009060	2	Wsh, Flt SS .260 x 1.000 x .074
25	56265071	1	Gasket, Exhaust
26	56249505	2	Wheel
27	56003091	1	Scr, Pan Phil Plastite 10-14 x .75
28	56003120	4	Pin, Cotter Hair .0915 x .375
29	56003133	1	Pin, Spr .12 x .56
30	56003207	1	Clevis Pin .50 x 2.75
31	56003690	2	Nut, U Multi-Thread M8 x 1.25
32	56003691	2	Scr Hex Loc SS 1/4-20 x 4.50
33	56009097	2	Nut, Push Cap 1/2
34	56265057	1	Axle
35	56009191	5	Scr, Pan Phil Plastite 10-14 x .50
36	56200573	1	Gasket, Ring 1.75 x 2.75 x .19
37	56265020	1	Base, Extractor, 16
38	56265031	1	Clip, Rod
39	56109548	1	Knob, Brush Adjustment
40	56265237	1	Lever, Brush Adjustment after SN1980730
41	56265239	1	Knob after SN1980730
42	56003761	1	Scr, Soc HD SS 10-32 x 1.50 after SN1980730
43	56201448	1	Spring, Compression after SN1980730
44	56002916	1	Wsh, Flt SAE SS #10 after SN1980730

NOTE 1: Part number 56265116 is obsolete and replaced by 56265243 which consists of Items (40-44).



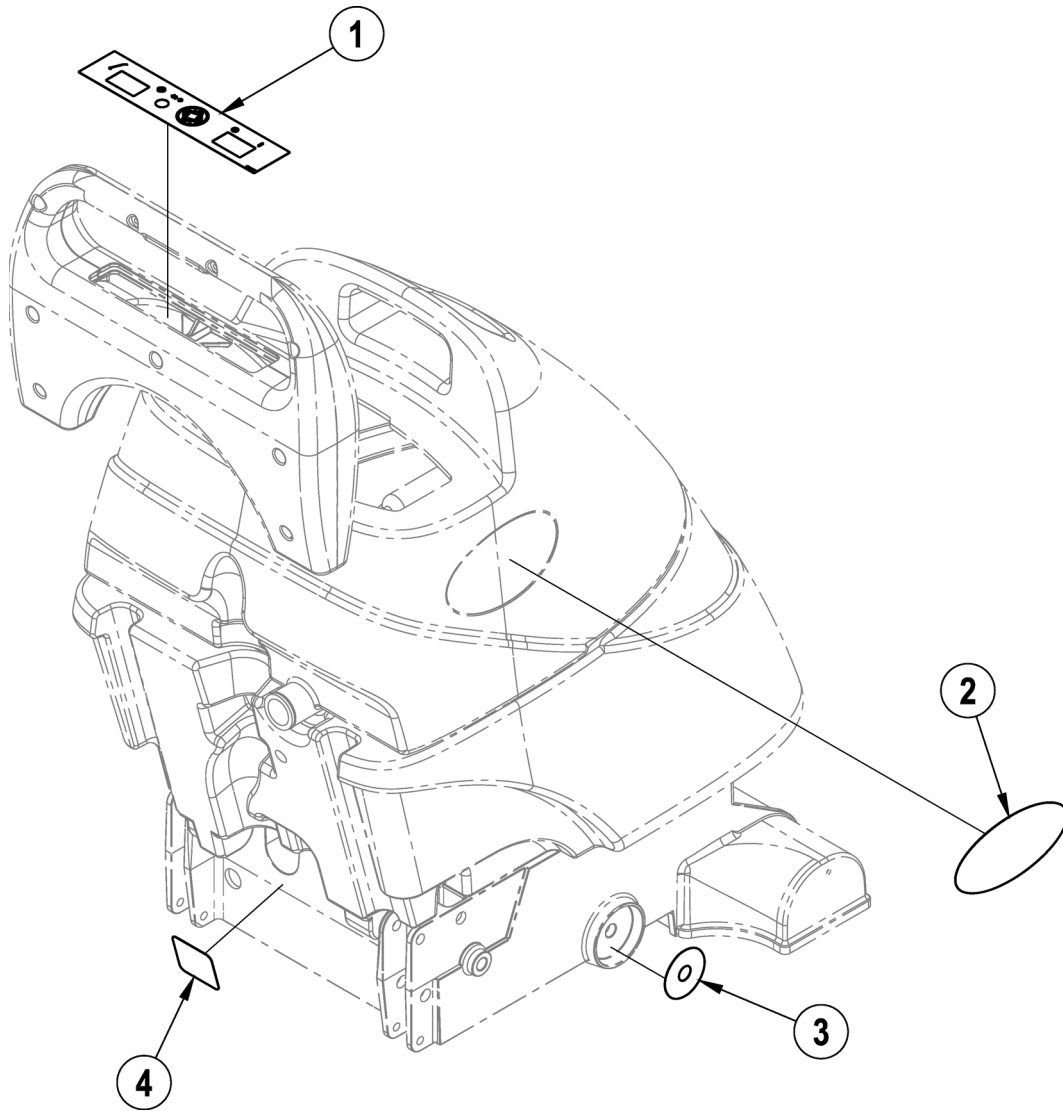
04-11

BRUSH SYSTEM

08-12

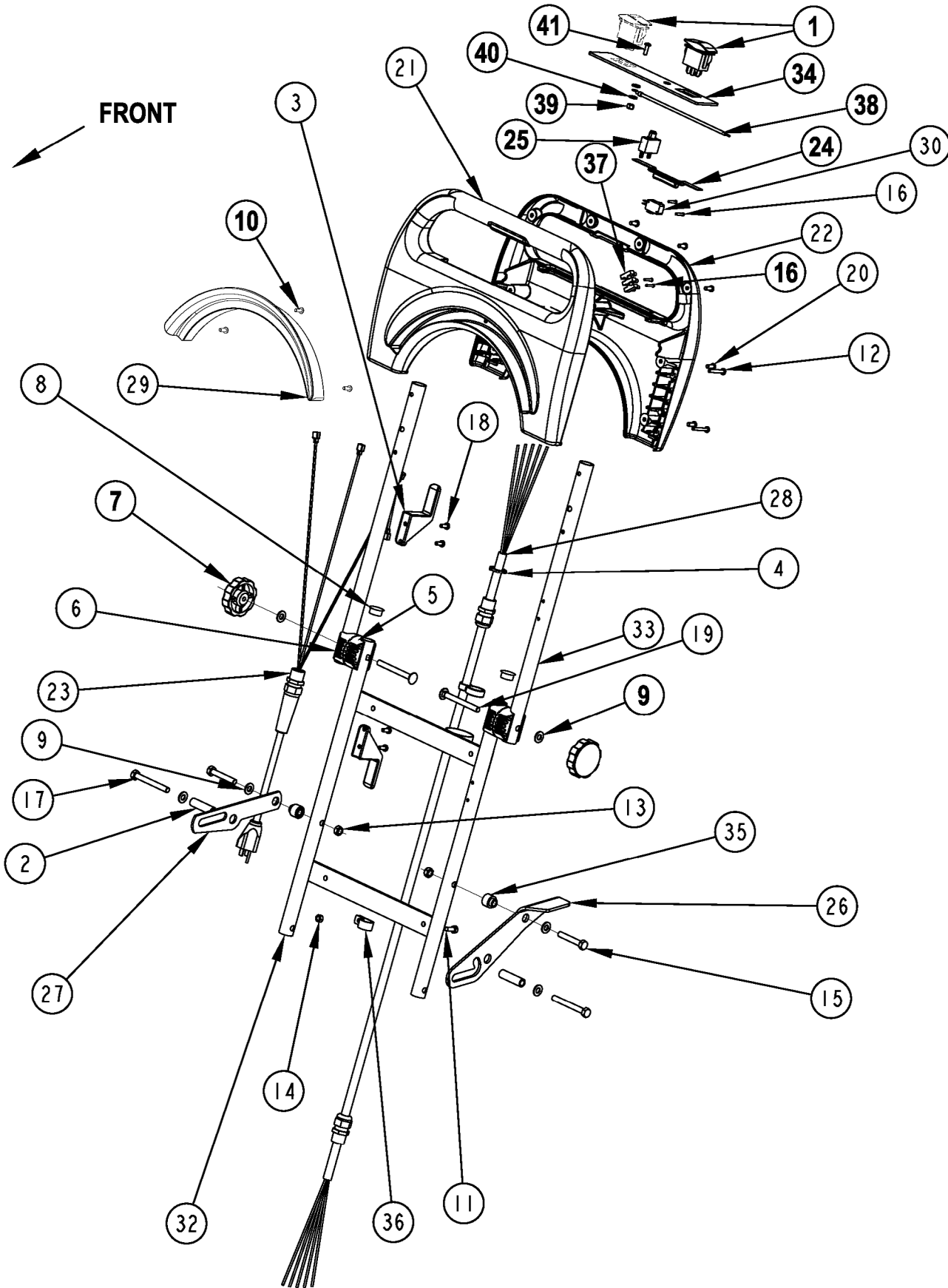
AX 410**5**

Item	Ref. No.	Qty	Description
1	56265204	1	Bearing/Spindle Kit
	NA	1	Spindle, Drive
	NA	1	Washer, Bearing
	NA	1	Bearing, Block
	NA	1	Sheave Poly-V 6J17
	NA	1	Bearing, Ball
	NA	1	Bearing, Ball
2	56262558	1	Sheave, Poly-V
3	56002849	1	Nut, Hex Nyl Loc-Thin SS 10-24
4	56001854	4	Scr, Hex Hd 1/4-20 x .50
5	56002098	4	Wsh, Flt SAE 1/4
6	56002900	1	Scr, Pan Phil SS 10-24 x .50
7	56009131	2	Scr, Soc Set Loc 5/16-18 x .31
8	56265024	1	Belt, Poly V
9	56265043	1	Clip, Brush Retainer
10	56265047	1	Belt Guard
11	56265075	1	Motor, 115 VDC, 1/3 HP (AX 410 J)
	56265076	1	Motor, 230 VDC, 1/3 HP (AX 410)
12	56265091	1	Cover, Pulley
13	56009191	3	Scr, Pan Phil Plastite 10-14 x .50
14	56265044	1	Brush Assembly 16
	56265046	1	Brush, 16



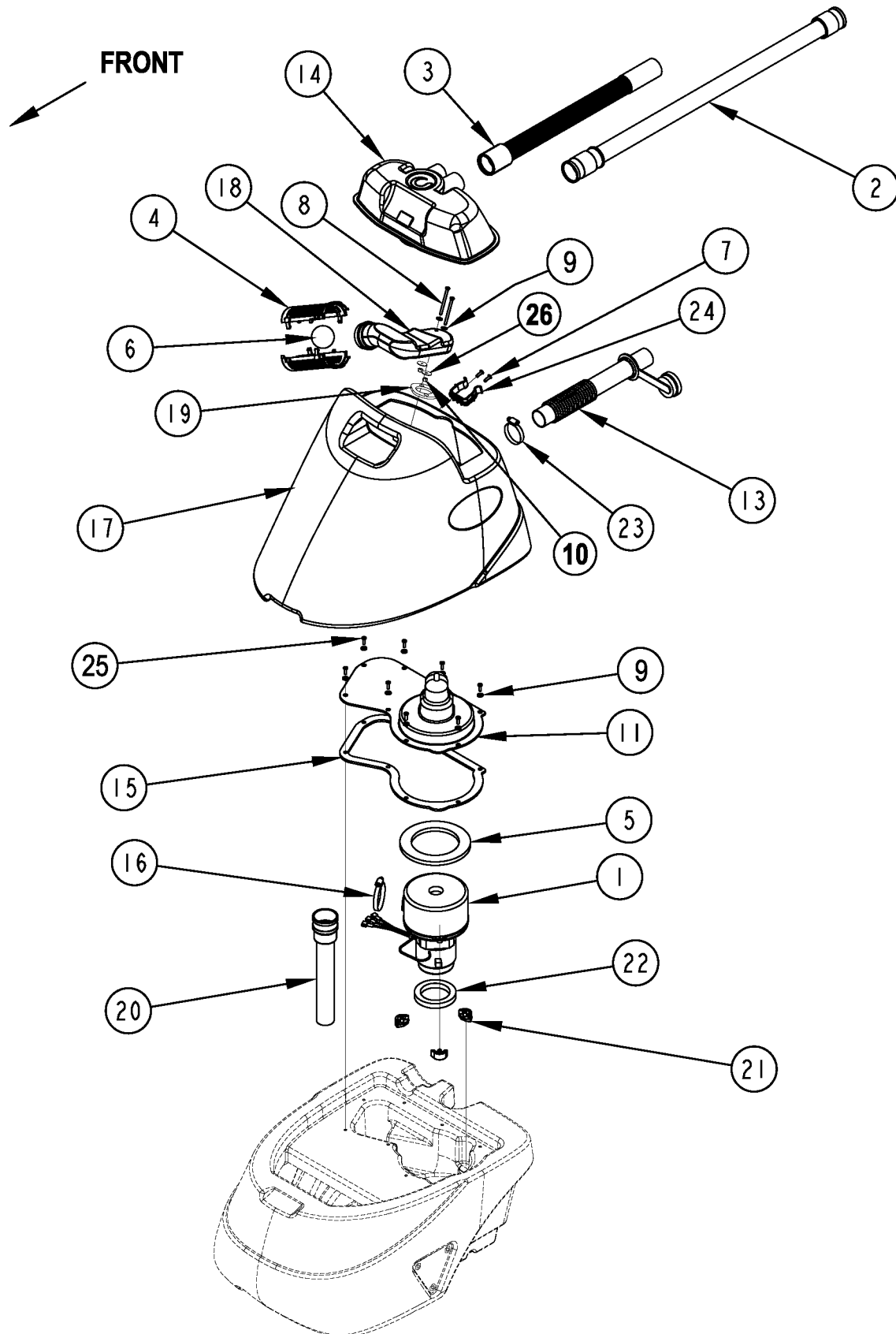
04-11	DECAL SYSTEM		
09-12	AX 410		7

Item	Ref. No.	Qty	Description
1	56016720	1	Decal, Panel (AX 410)
	56016716	1	Decal, Panel (AX 410 J)
2	56016724	2	Decal, Nilfisk AX 410
3	56109693	1	Decal-Nozzle Selector
4	56016718	1	Decal, Brush Pressure



Item	Ref. No.	Qty	Description
1	56265097	1	Switch, Rocker (AX 410 J)
	56265107	2	Switch, Rocker (AX 410)
2	56265167	2	Bushing .34 x .50 x 1.50
3	56262518	2	Hook, Cord
4	56009095	2	Nut, Conduit Lock 1/2-14
5	56264118	2	Ratchet
6	56264123	2	Ratchet
7	56302167	2	Knob
8	56900041	2	Plug, Cap
9	56001939	6	Wsh, Flt SAE 5/16
10	56001993	3	Scr, Pan Phil 10-24 x .50
11	56003441	1	Scr, Hex Nyl Loc M6-1 x 16mm
12	56002824	4	Scr, Pan Phil 10-24 x 1.25
13	56003389	2	Nut, Hex Nyl Loc M8-1.25
14	56003350	1	Nut, Hex M6 x 1.0
15	56003210	2	Scr, Hex M8-1.25 x 50mm
16	56003092	4	Scr, Pan Phil Plastite 4-20 x .62
17	56003700	2	Scr, Hex M8-1.25 x 70mm
18	56009029	4	Scr, Pan Phil Thd Form 10-24 x .50
19	56009136	2	Scr, Carriage 5/16-18 x 3.00
20	56009191	9	Scr, Pan Phil Plastite 10-14 x .50
21	56265028	1	Cover, Handle, Front
22	56265029	1	Cover, Handle, Rear
23	56265115	1	Cord, Pigtail (AX 410)
	56265217	1	Power Cord, 40ft. Japan (AX 410 J)
24	56265053	1	Button, Spray
25	56265056	1	Circuit Breaker W/Boot (AX 410 J)
	56265104	1	Circuit Breaker W/Boot (AX 410)
26	56265058	1	Latch, Handle
27	56265059	1	Strap, Handle
28	56265085	1	Main Cable Assy
29	56265090	1	Hook, Handle Cover
30	56265098	1	Switch, SPDT Snapaction
32	56265123	1	Lower Handle Weldment
33	56265143	2	Tube, Handle
34	56265159	1	Panel, Control (AX 410 J)
	56265055	1	Panel, Control (AX 410)
35	56265199	2	Bushing, Flange
36	56486112	1	Clamp, P
37	56183523	1	Terminal Block
38#	56380823	1	Wire-14 Awg 1015 Grn/Yel X 8
39#	56002873	1	Nut-Hex Nyl Loc 10-32
40#	56001954	2	Wsh-Flt SAE #10
41#	56002202	1	Scr-Pan Phil 10-32 x .62

= Revised or new since last update



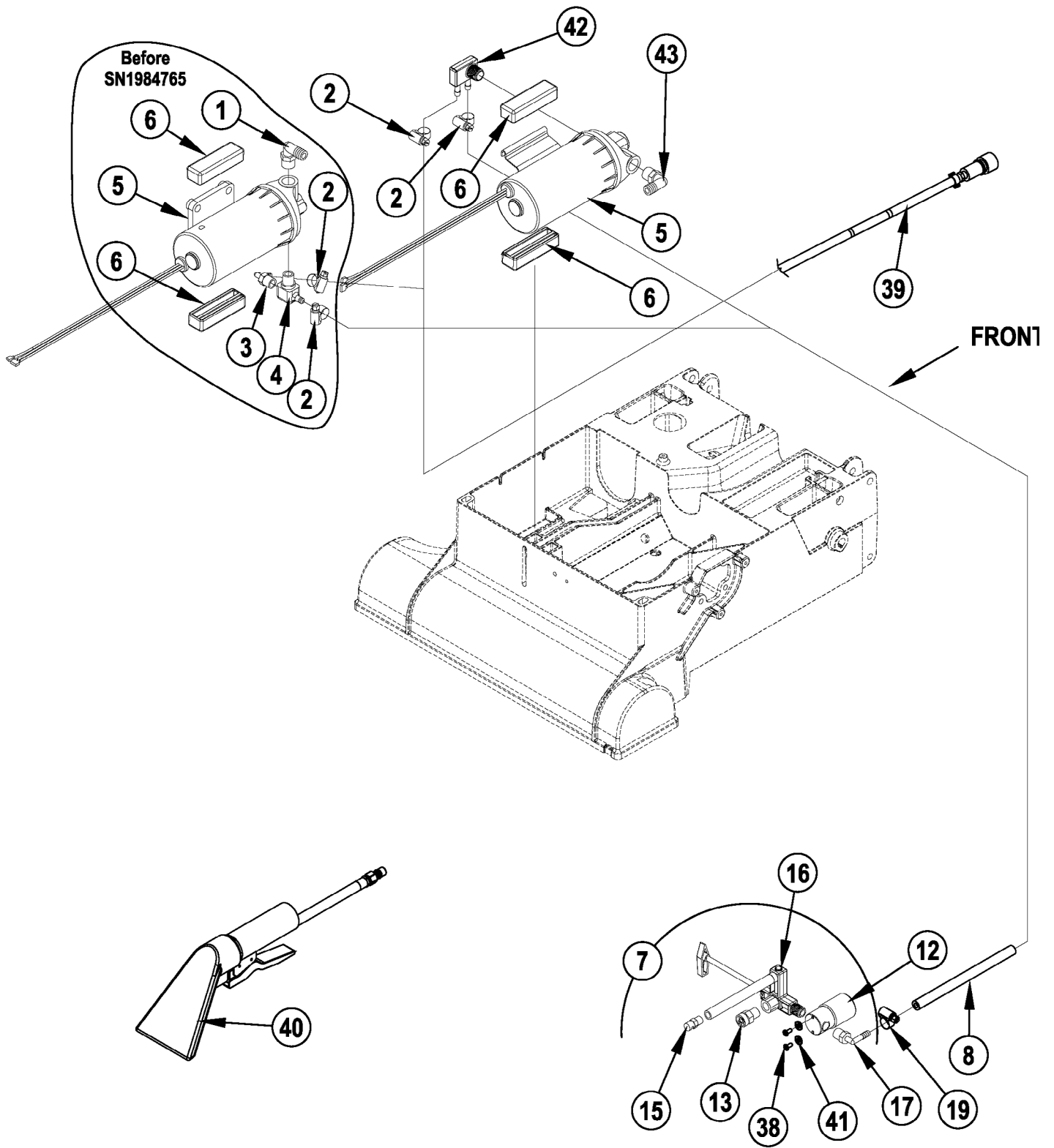
04-11

RECOVERY SYSTEM

09-12

AX 410**11**

Item	Ref. No.	Qty	Description
1	56265096	1	Vac Motor, 120V (AX 410 J)
	56264453	1	Carbon Brushes for 56265096 (one pair)
	56265117	1	Vac Motor, 240V (AX 410)
	56264452	1	Carbon Brushes for 56265117 (one pair)
2	56265145	1	Vac Hose 1.50 x 33.00 x 975018
3	56265158	1	Vac Hose 1.50 Stretch
4	56324497	2	Cage, Float
5	56385437	1	Gasket
6	56391690	1	Ball, Float
7	56002124	2	Scr, Pan Phil 10-24 x .62
8	56003809	2	Scr-Hex SS 10-24 x 2.00
9	56009205	10	Wsh, Flt SS #10
10	56002836	2	Nut-Hex Nyl Loc SS 10-24
11	56265030	1	Cover, Vac Motor
13	56265034	1	Hose, Drain 1.5 Inch
14	56109528	1	Recovery Lid Assy
15	56265072	1	Gasket, Vac Cover
16	56440213	1	Clamp, Hose SAE #32
17	56265022	1	Tank, Recovery, 16
18	56265134	1	Duct, Float
19	56265163	1	Gasket
20	56265202	1	Vac Hose Assy
21	56314484	3	Mount, Vibration
22	56314760	1	Gasket, Vacuum Duct
23	56329145	1	Clamp, Hose SAE #24
24	56331154	1	Clamp, Plastic
25	56002900	8	Scr, Pan Phil SS 10-24 x .50
26	56009096	2	Wsh-Fit .193 x .875 x .060



04-11

SOLUTION PUMP SYSTEM

09-12

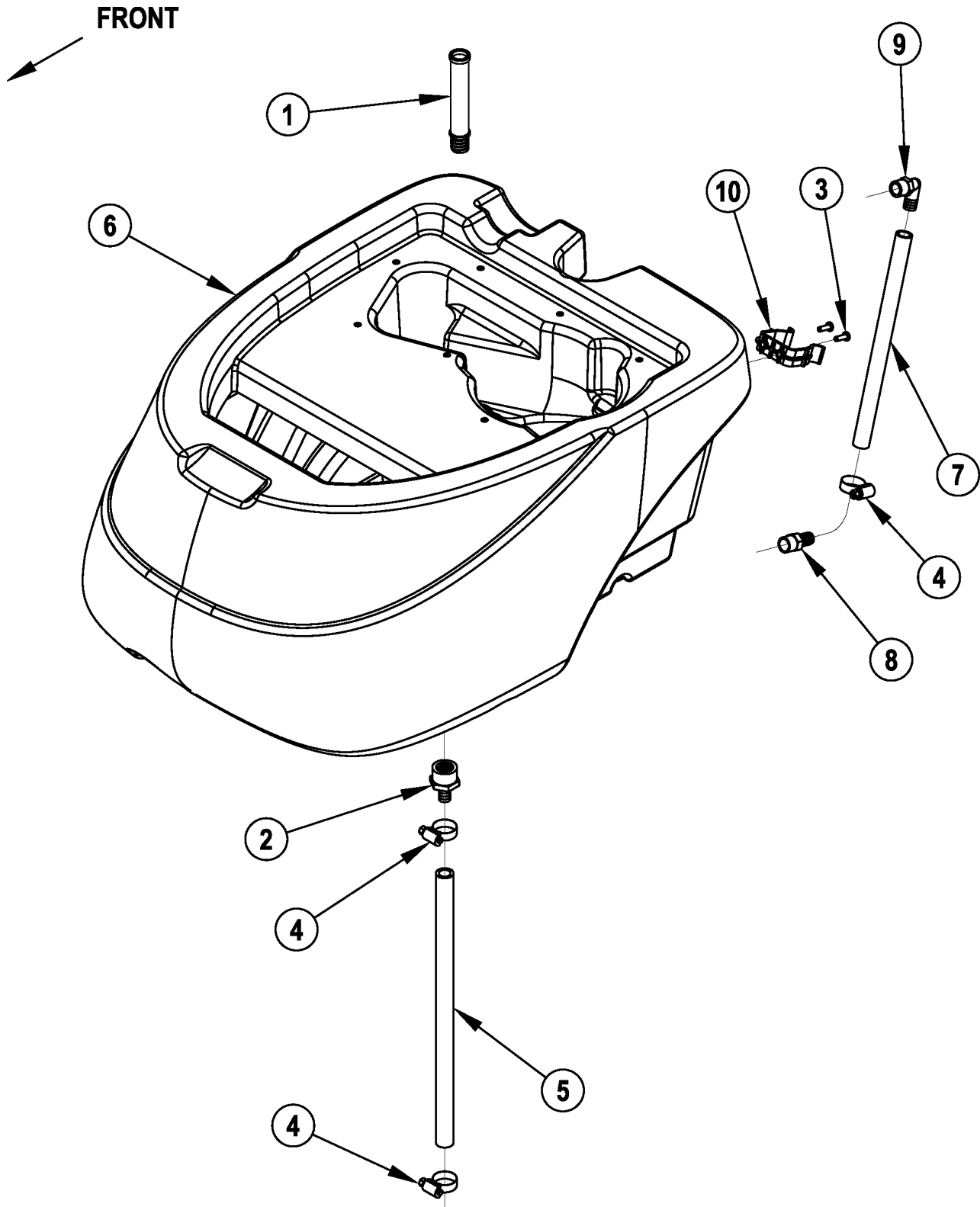
AX 410**13**

Item	Ref. No.	Qty	Description
1	56900069	1	Barb, 90 Elbow 1/2 X 3/8NPT before SN1984765 / TSBUS2007-961 TSBUS2007-961-1
2	56756364	2	Clamp, Hose SAE #4
5	56265051	1	Pump 115V (AX 410 J) before SN1984765
	56265050	1	Pump 230V (AX 410) before SN1984765
	56265224	1	Pump 115V (AX 410 J) after SN1984764
	56265223	1	Pump 230V (AX 410) after SN1984764
6	56265033	2	Mount, Pump
7	56109512	1	Nozzle-Valve Assy-16 (AX 410 J) (items 12, 13, 15-17) NOTE 2
	56109511	1	Nozzle-Valve Assy-16 230V (AX 410) (items 12, 13, 15-17) NOTE 3
8	56260841	1	Hose, Polyester Braid, 7.00 before SN1984765
	56264346	1	Hose, Polyester Braid, 10.50 after SN1984764
12	56265037	1	Valve, Solenoid 115V (AX 410 J) TSBUS2007-966
	56265114	1	Valve, Solenoid 230V (AX 410) TSBUS2007-966
13	56265038	1	Quick Veejet W/ Body
15	56265052	1	Nozzle, Spray
16	56109691	1	Valve Assy-16 (AX 410)
17	56470138	1	Barb, 90 Elbow 1/4 x 1/4NPT
19	56756364	1	Clamp, Hose SAE #4
38	56003018	2	Scr, Pan Phil SS 8-32 x .38
39	56265168	1	Hose Assembly
40	56220109	1	Hand Tool Assembly
41	56002875	2	Wsh, Flt SAE SS #8
42	56109503	1	Double Barb Assy
43	56109566	1	Barb, 90 Elbow 1/2 x 3/8 NPT NOTE 1

NOTE 1: First generation - **56409507** used before December 2007.
 Second generation - **56900069** used from December 2007 through August 2008.
 Third generation - **56109566** used after August 2008.

NOTE 2: As of serial number 1000031068 Nozzle / Valve Assy 16 56265039 is obsolete and replaced by Nozzle-Valve Assy-16 56109512. If you need to replace any of the subcomponents from 56265039 please order the entire new assembly 56109512.

NOTE 3: As of serial number 1000031068 Nozzle / Valve Assy 18 56265140 is obsolete and replaced by Nozzle-Valve Assy-18 56109511. If you need to replace any of the subcomponents from 56265140 please order the entire new assembly 56109511.



04-11

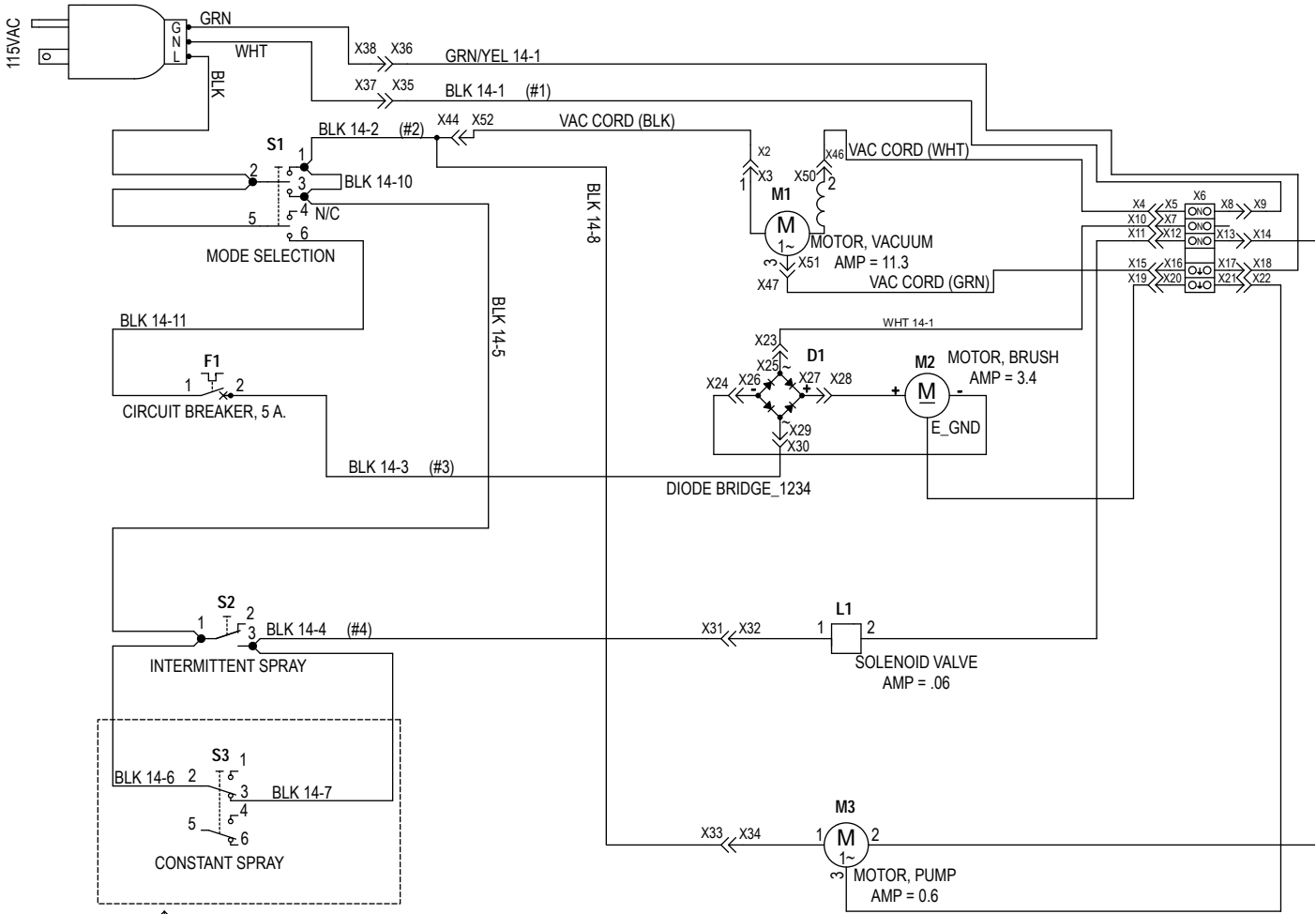
SOLUTION TANK ASSEMBLY

10-4

AX 410**15**

Item	Ref. No.	Qty	Description
1	56264137	1	Screen
2	56262190	1	Barb TSBUS2007-961 / TSBUS2007-961-1
3	56002124	2	Scr, Pan Phil 10-24 x .62
4	56219932	3	Clamp, Hose SAE #6
5	56387302	1	Hose, Spiral .50 before SN1984765
	56407267	1	Hose, Spiral .50 after SN1984764 NOTE1
6	56265021	1	Tank, Solution, 16
7	56265216	1	Hose, PVC Clear 11.00
8	56109565	1	Barb, Adapter 1/2 x 3/8NPT
9	56109566	1	Barb, 90 Elbow 1/2 x 3/8NPT
10	56331154	1	Clamp, Plastic

NOTE 1: Hose 56266108 has been replaced by Hose 56407267.



OPTIONAL
(USED ON 18" MACHINE)

04-11

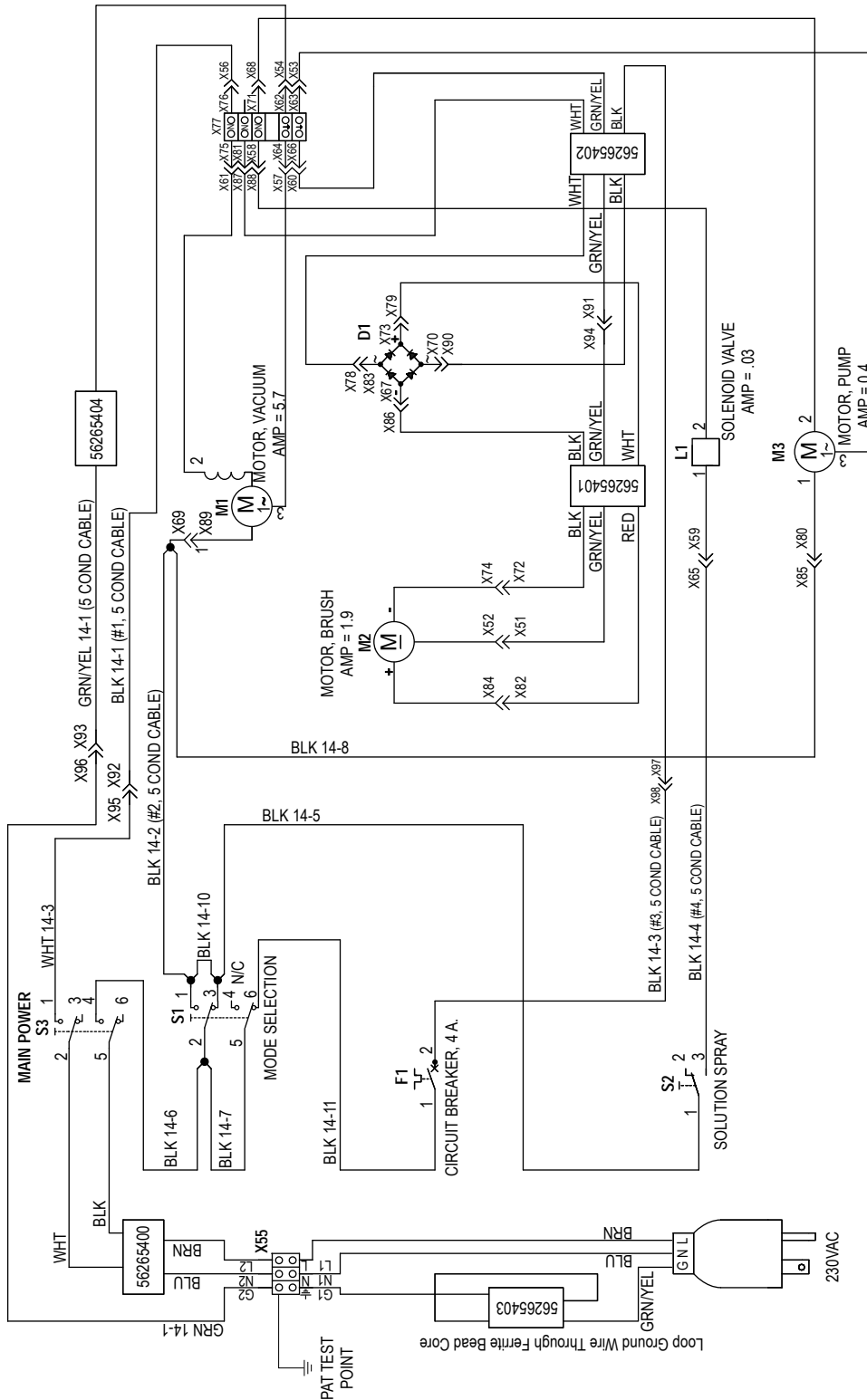
WIRING DIAGRAM 120V/100V (AX 410J)

08-12

AX 410**17**

Item	Ref. No.	Qty	Description
D1	56265103	1	Rectifier, 35 Amp
F1	56265056	1	Circuit Breaker, 5 Amp
L1	56265037	1	Valve, Solenoid 115V TSBUS2007-966
M1	56265096	1	Motor Vacuum, 120V
	56264453	1	Carbon Brushes for 56265096 (one pair)
M2	56265075	1	Motor, Brush 115 VDC, 1/3 HP
M3	56265051	1	Pump 115V before SN1984765
	56265224	1	Pump 115V after SN1984764
S1	56265097	1	Switch, Mode Selection
S2	56265098	1	Switch, Solution Spray
*	56265187	1	Wire Assembly
*	56265102	1	Wire Assembly
*	56265087	1	Wire Assembly

* = Not Shown



04-11

WIRING DIAGRAM 230V (AX 410)

08-12

AX 410**19**

Item	Ref. No.	Qty	Description
D1	56265103	1	Rectifier, 35 Amp
F1	56265104	1	Circuit Breaker, 4 Amp
L1	56265114	1	Valve, Solenoid 230V TSBUS2007-966
M1	56265117	1	Motor Vacuum, 240V
	56264452	1	Carbon Brushes for 56265117 (one pair)
M2	56265076	1	Motor, Brush 230 VDC, 1/3 HP
M3	56265050	1	Pump 230V before SN1984765
	56265223	1	Pump 230V after SN1984764
S1	56265107	1	Switch, Mode Selection
S2	56265098	1	Switch, Solution Spray
S3	56265107	1	Switch, Main Power
*	56265187	1	Wire Assembly
*	56265087	1	Wire Assembly
*	56265110	1	Wire Assembly
*	56265400	1	EMI Filter Assembly
*	56265401	1	EMI Filter Assembly
*	56265402	1	EMI Filter Assembly
*	56265403	1	EMI Ferrite Bead Core
*	56265404	1	EMI Ferrite Bead Core

* = Not Shown

ACCESSORIES

04-11

20

AX 410

09-12

OPTIONAL BRUSHES

Brush Assembly Description	Part Number
Nylon Brush Assembly	56265044
Blue Brush Assembly	56265175
240 Grit Brush Assembly	56265176

ACCESSORY TOOLS

Ref. No.	Description
56314402	Wand Assembly w/Soft and Hard Floor Tools
56265173	Wand Assembly w/Soft Floor Tool
56262209	Stand Up Wand
56220109	Hand Tool
56380377	Spray Tip (for 56220109)
56220070	Upholstery Hand Tool
56265174	15' Hose w/Waterline
56265112	Locking Extension Cord
56265368	8' Hose w/Waterline
56265150	Hard Floor Tool
56265309	Plug Adaptor Kit
56265305	Drag Wand
56265306	Scrub N Vac Wand
56250314	14" Scrub/Vac Tool



Nilfisk
setting standards

Nilfisk-Advance A/S
Sognevej 25
DK-2605 Brøndby
Denmark
Tel: +45 43 23 81 00
Fax: +45 43 43 77 00
www.nilfisk-advance.com