



E85903-00



# BAC PAC LITE

5 Liter Bac Pac Vacuum



Operator and Parts Manual

# TABLE OF CONTENTS

TECHNICAL INFORMATION .....	3
GENERAL SAFETY .....	4
MACHINE PREPARATION AND OPERATION .....	5
MACHINE DIAGRAM AND PARTS LISTING .....	6 - 7
WARRANTY .....	8

<b>TECHNICAL DESCRIPTION</b>	<b>Measurement Unit</b>	<b>Bac Pac Lite</b>
Tank Size	Liter	5
Vacuum Motor	HP	1.5 (1-stage direct)
Noise Level	dB	65
Filtration		Triple (Paper Bag, Cloth Bag & Motor)
Airflow	CFM	120
Water Lift	inches	100
Power Cord	feet	50
Length	inches	9.5
Width	inches	10.5
Height	inches	23.5
Weight	lbs.	10.5
Tool Kit		Included
Productivity	sq. ft./hour	2,700

# GENERAL SAFETY INFORMATION

**When using an electrical appliance, basic precautions should always be followed, read all instructions before using.**

## **! WARNING ! To reduce risk of fire, electric shock, or injury:**

- Keep children and unauthorized persons away from the machine when in use.
- This machine is not intended for use by persons (including children) with a lack of experience and knowledge, unless they have been given supervision or instruction concerning use of the machine by a person responsible for their safety.
- Do not leave the machine when it is plugged in. Unplug the unit from the outlet when not in use & before servicing.
- To avoid electric shock, do not expose machine to rain. Store indoors.
- Do not allow to be used as a toy. Close attention is necessary when used by or near children.
- Use only as described in this manual. Use only manufacturer's recommended attachments.
- Do not use with damaged cord or plug. If machine is not working as it should return it to a service center for inspection.
- Do not pull or carry by cord, use cord as a handle, close a door on a cord, or pull cord around sharp edges or corners. Do not run machine over cord. Keep cord away from heated surfaces.
- Do not unplug by pulling on cord. To unplug, grasp the plug, not the cord.
- Do not handle plug or machine with wet hands.
- Do not put any foreign object into openings. Do not use with any opening blocked; keep free of dust, lint, hair, & anything that may reduce airflow.
- Keep hair, loose clothing, fingers, & all parts of body away from openings & moving parts.
- Turn off all controls before unplugging.
- Do not use in or around flammable or combustible liquids such as gasoline or use in areas where they may be present.

## **GROUNDING INSTRUCTIONS**

This machine must be grounded. If it should electrically malfunction, grounding provides a path of least resistance for electric current to reduce the risk of electric shock. This machine is equipped with a cord having an equipment-grounding conductor & grounding plug. The plug must be plugged into an appropriate outlet that is properly installed & grounded in accordance with all local codes & ordinances.

## **! DANGER !**

Improper connection of the equipment-grounding conductor can result in a risk of electric shock. Check with a qualified electrician or service person if you are in doubt as to whether the outlet is properly grounded. Do not modify the plug provided with the machine. If plug will not fit the outlet, have a proper outlet installed by a qualified electrician.

Replace the plug if the grounding pin is damaged or broken.

Extension cords connected to this machine should be 12 gauge, 3-wire cords with 3- prong plugs & outlets. DO NOT use extension cords more than 50 feet long.

## **! WARNING !**

The replacement or repair of damaged wiring should only be performed by a qualified electrician or service engineer from the original distributor or authorized service agent.

# **MACHINE PREPARATION AND OPERATION**

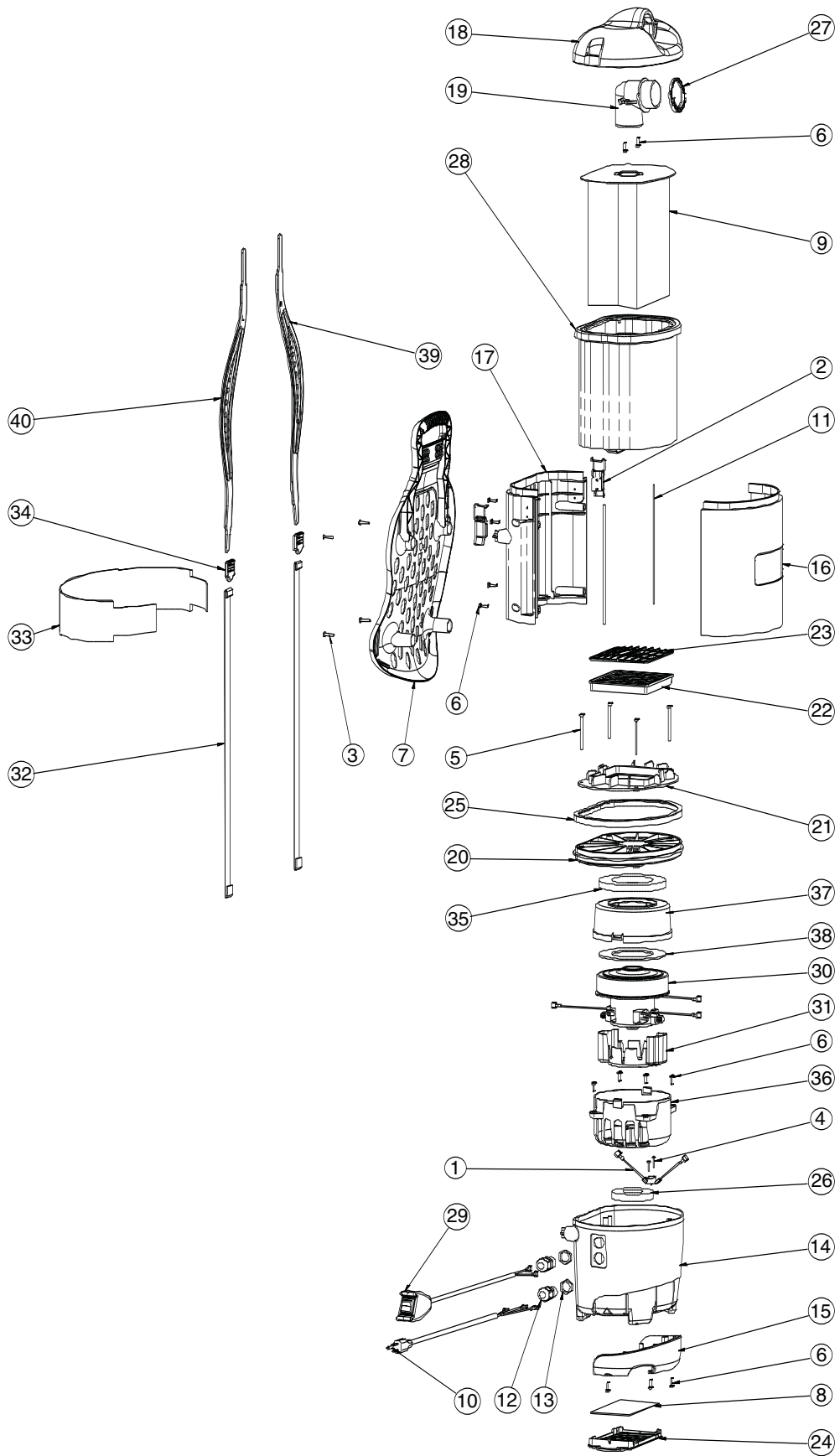
## **PREPARATION AND OPERATION**

- Unwrap the power cord completely & plug into a properly grounded outlet.
- Install paper filter bag.
- Attach swivel hose connector and hose to tank inlet.
- Attach appropriate cleaning tool.
- Turn switch to on position.
- You are now ready to begin your cleaning task.

## **AFTER USE**

- Unplug the power cord, starting from the machine wrap the power cord onto the head assembly.
- Check paper filter, replace as necessary.
- Wipe the entire machine with a clean, damp cloth.
- Inspect the machine & all accessories for damage. Perform any required maintenance or repairs before storage.
- Store the machine in a clean, dry place..

# MACHINE DIAGRAM



# MACHINE PARTS LISTING

View #	BETCO #	DESCRIPTION	Ref.#
1	82952	THERMAL PROTECTION SWITCH	A328-1400
2	82953	LATCH	A352-3300
3	82954	#10 .750 TYPE B PHILIPS PAN HEAD SCREW	A352-8100
4	82955	#6 X .375 HI-LO PHILIPS PAN HEAD SCREW	A352-8200
5	82956	#8-16 X 2.500 PHILIPS PAN HEAD SCREW	A430-0205
6	82957	#8 X .625 HI-LO PHILIPS PAN HEAD SCREW	A732-8300
7	82958	BACK REST	B352-1314
8	82959	POST FILTER	B352-2400
9	82960	PAPER BAG	B352-2500
10	82961	POWER HARNESS	B352-3200
11	82962	BAG COMPARTMENT SEAL	B352-6100
13	82963	HEYCO FITTING	B352-600
12	82964	STRAIN RELIEF	B352-6800
14	82965	MOTOR COMPARTMENT	B352-0100
15	82966	BUMPER	B352-0200
16	82967	FRONT PLATE	B352-0300
17	82968	BACK PLATE	B352-0400
18	82969	COVER	B352-0500
19	82970	HOSE INLET	B352-0600
20	82971	MOTOR COVER	B352-0700
21	82972	SECONDARY FILTER PLATE	B352-0800
22	82973	SECONDARY FILTER FRAME	B352-0900
23	82974	SECONDARY FILTER CAP	B352-1000
24	82975	POST FILTER FRAME	B352-1100
25	82976	BODY SEAL	B352-1200
26	82977	BOTTOM MOTOR MOUNT	B352-1900
27	82978	INLET SEAL	B352-4800
28	82979	SHAKE OUT BAG	C352-1400
29	82980	SWITCH HARNESS	C352-2800
30	82981	5.1" SINGLE STAGE TEK MOTOR	A113-2600
31	82982	TEK MOTOR SHROUD PC	B113-0915
32	82983	SHOULDER HARNESS STRAP	B352-5800
33	82984	WAIST BELT	B352-6600
34	82985	SHOULDER STRAP BUCKLE	B352-6700
35	82986	TOP MOTOR MOUNT	B352-1800
36	82987	MOTOR SHROUD BOTTOM 5.1 - 1 STAGE	B352-5300
37	82988	MOTOR SHROUD TOP 5.1 - 1 STAGE	B352-5400
38	82989	MOTOR SEAL	B352-5500
39	82990	RIGHT SHOULDER HARNESS	B352-5600
40	82991	LEFT SHOULDER HARNESS	B352-5700
		<b>NOT ILLUSTRATED</b>	
Not Shown	82992	CREVISE TOOL	B352-3600
Not Shown	82993	UPHOLSTRY TOOL	B352-3500
Not Shown	82994	DUST BRUSH ASSEMBLY	C352-499
Not Shown	82995	CARPET TOOL ASSEMBLY	C352-4100
Not Shown	82996	BARE FLOOR TOOL ASSEMBLY	C352-4400
Not Shown	82997	HOSE	A352-3600
Not Shown	82998	TELESCOP WAND	B352-6900
Not Shown	82999	50' EXTENSION CORD 16-3 SJT YELLOW	A134-0441

# BETCO US WARRANTY POLICY

## 10 year coverage

Subject to the conditions stated below, Betco warrants parts and labor on rotationally molded polyethylene tanks/ housings and injection molded vacuum head assemblies to be free from defects in materials and workmanship for a period of ten years to the original purchaser.

## 3 Year Coverage

Subject to the conditions stated below, Betco warrants parts and labor on all other Betco components to be free from defects in materials and workmanship for a period of three years to the original purchaser.

## 1 Year Coverage

Subject to the conditions stated below, Betco offers a limited warranty on parts and labor on the following equipment: parts and accessories to be free from defects in materials and workmanship for a period of one year to the original purchaser.

- DM Series Vacuums: #85506-00, #85507-00
- Bac Pac Lite Vacuum: #85903-00
- FiberPRO® Floor Dryer: #85507-00
- WORKMAN™ Series Vacuums: #85024-00, #85025-00, #85026-00, #85027-00
- CV100T Vacuum: #85023-00
- All Tools and Accessories
- All Battery Chargers
- All Batteries are pro-rated for 1 year

### **Allowable Travel Time Warranty Reimbursement:**

Eligible equipment: All battery and propane powered equipment products. Warranty period: 90 days from date of sale to the original purchaser. A maximum 60 mile round trip at 44 cents per mile will be allowed for warranty consideration.

### **Propane Machine Warranty:**

Honda engines are warranted by Honda for a period of 2 years against manufacturer defects. Kawasaki engines are warranted by Kawasaki for a period of 2 years against manufacturer defects. All other components (except wear items)\* are warranted by Betco for a period of 3 years.

**\*Wear Items exempt from Warranty consideration include but may not be limited to: power cords, transport wheels, vacuum bags, belts, squeegee blades, pad drivers, clutch plates, handle grips, filters, screens, throttle cables, brushes and carbon brushes.**

Subject to the conditions and exceptions stated in this warranty, Betco warrants the Betco products to be free from defects in material and workmanship, under normal use and service, for the periods listed under the warranty policy to the original purchaser. At any time during the warranty period, Betco will furnish replacement parts for the Betco parts to the original purchaser. Such parts will be furnished and charged including transportation costs, to the original owner through any Betco authorized Service Distributor. If the original part is returned within the warranty policy period from date of delivery for inspection by Betco and is found to be defective the owner will be credited for the cost of replacement parts plus shipping and handling. Replacement parts that have become defective through wear or abuse are not included in this warranty.

This warranty does not apply to damage or defect caused by accident, misuse, negligence, fire, or to any Betco product which has been serviced or repaired by other than an authorized Betco Service Distributor or Betco factory personnel. This warranty is void if products are used for any purpose other than that which was intended. There are no other warranties expressed or implied. In no event shall Betco be liable for incidental or consequential damages or any damage to person or property. (Please note some states do not allow the exclusion or limitations for incidental and consequential damages)

