



E29961-00 E29963-00  
E29962-00



# STEALTH™ DRS21BT

21" MicroRider  
Automatic Scrubber



Parts and  
Maintenance  
Catalog

# TABLE OF CONTENTS

INTRODUCTION .....	3
DIAGRAMS AND PARTS LISTINGS.....	4 - 31
STEERING WHEEL FUNCTION .....	32 - 40
ELECTRIC INSTALLATION TEST.....	41 - 45
PLUMBING INSTALLATION CHECKS .....	46
TRACTION, STEERING, & BRAKE ADJUSTMENT..	47 - 48
VACUUM ADJUSTMENT .....	48 - 49
BRUSH DECK ADJUSTMENT .....	50
SQUEEGEE ADJUSTMENT .....	51
WARRANTY .....	52

# INTRODUCTION

This catalog is intended to serve as a guide for the ordering of spare parts and is designed to facilitate the rapid identification and location of parts.

To simplify ordering and delivery of spare parts, the following information should be provided when placing an order:

1. Item number and part name.
2. Quantity of parts required.
3. The distributor account number that is purchasing the part.
4. The address for which the parts should be delivered.
5. Specific shipping requirements for the order. If no shipping requirements are specified, the preferred vendor carrier and method will be selected.

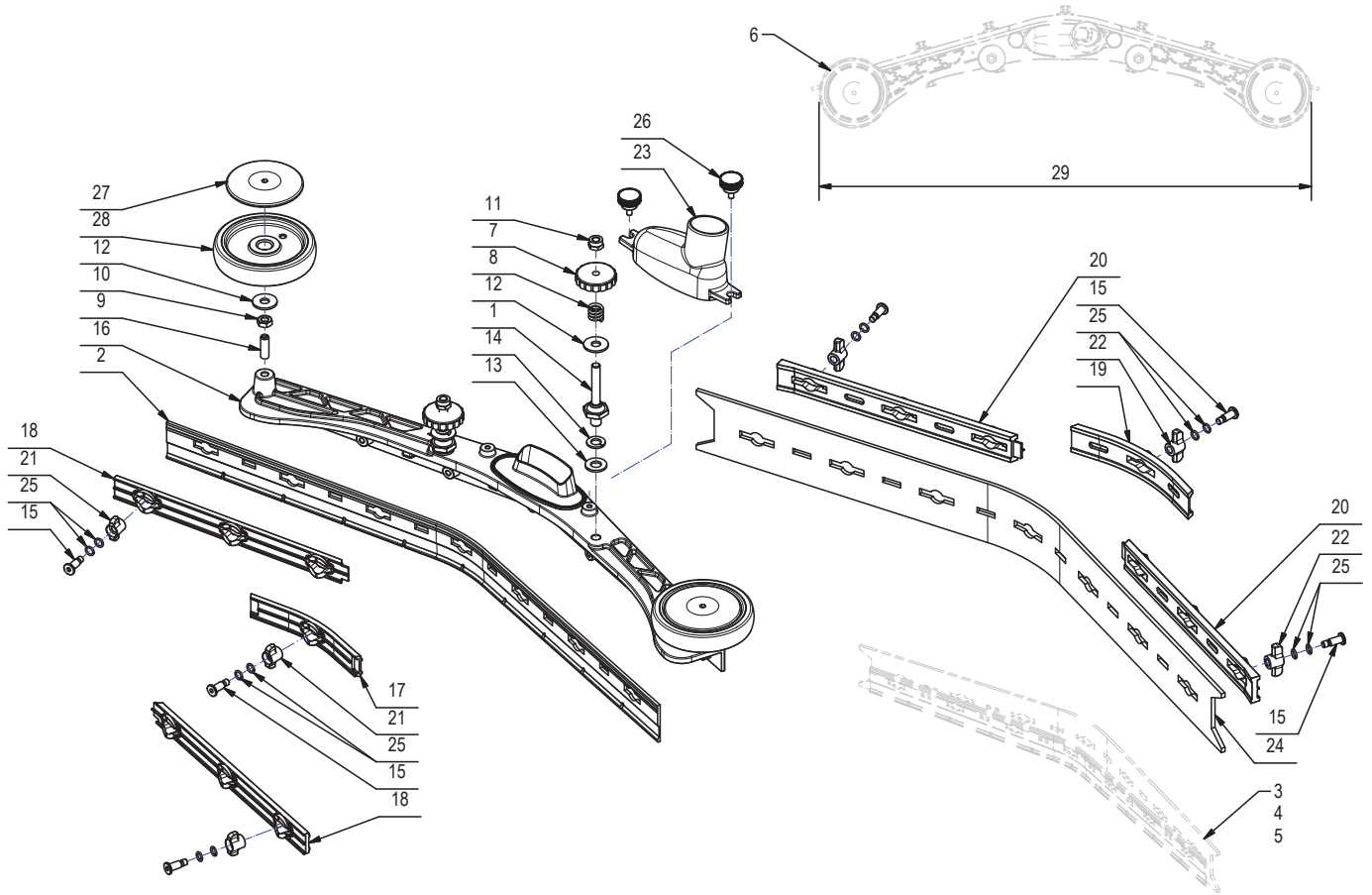


# BRUSH DECK ASSEMBLY PARTS LISTING

Item#	Part #	Description	
1	E22638	Spring	4
2	E22206	Tubing, PVC, M20 OD x M13 ID x 220 LG	1
3	E22639	Tubing, 1.25"	1
4	E88245	Motor, Geared 24V 400W 140 RPM	1
4.1	E22640	Cable Sheath	1
4.2.1	E20451	Fitting, Solution Delivery Tube	1
4.3	E22641	Connector, Female	1
5	E20087	Hex Bolt M6x16 SS	1
6	E82322	Solenoid Valve, 24v 10w 3-Port Nylon	1
6.1	E81794	Valve Body, Solenoid	1
6.2	E81795	Solenoid	1
7	E85767	Bushing	3
8	E81953	Wire Spring Clip 75mm Custom	1
9	E83617	O-Ring, 14x2.5mm Buna-N	1
10	E83833	Hex Bolt M8x25 Zinc	2
11	E83802	Hex Bolt M8x30 Zinc	2
12	E83812	Screw, M8x70	4
13	E22642	Screw, M5 x 10	1
14	E88042	Flat Hd Soc Machine Screw M6x16 Zinc	4
15	E86853	Nyloc Hex Nut, M8 Zinc	5
16	E83879	Flat Washer M5x11x1 Zinc	1
17	E83799	Flat Washer M6.6x18x2 SS	1
18	E83404	Flat Washer M9x24x2.5 Zinc	5
19	E81918	Flat Washer M9x32x2.5 Zinc	1
20	E83704	Lock Washer M8x13x2.2 Zinc	3

Item#	Part #	Description	
21	E86164	Flat Washer M9x24x2.5 SS	1
22	E20253	Flat Washer M21x60x3 Nylon	1
23	E83529	Carbon Motor Brush	4
24	E81565	Clamp, 4.8x200 Black	2
25	E83882	Cap, 1/2" NPT Nylon	1
26	E20433	Ring Nut 1/2"	1
27	E82367	Center Lock	1
28	E82492	Master Chain Link	1
29	E20323	Lock Washer M6 SS	1
30	E22643	Bracket, Right Arm	2
31	E22644	Bracket, Left Arm	1
32	E22645	Brush Base	1
33	E22646	Wheel Cover	1
34	E22647	Bumper	1
35	E22648	Flange	1
36	E22649	Support	1
37	E22650	Plate	1
38	E22651	Coupling	1
39	E22654	Brush, General Purpose 22" 0.3mm	1
40	E22655	Brush, Medium Duty 22" 0.6mm	1
41	E22656	Brush, Heavy Duty 22" 0.9mm	1
42	E22657	Brush, Tynex Stripping	1
43	E22658	Pad Driver, 21"	1
44	E22652	Chain	1
45	E22653	Screw, M8 x 16	1

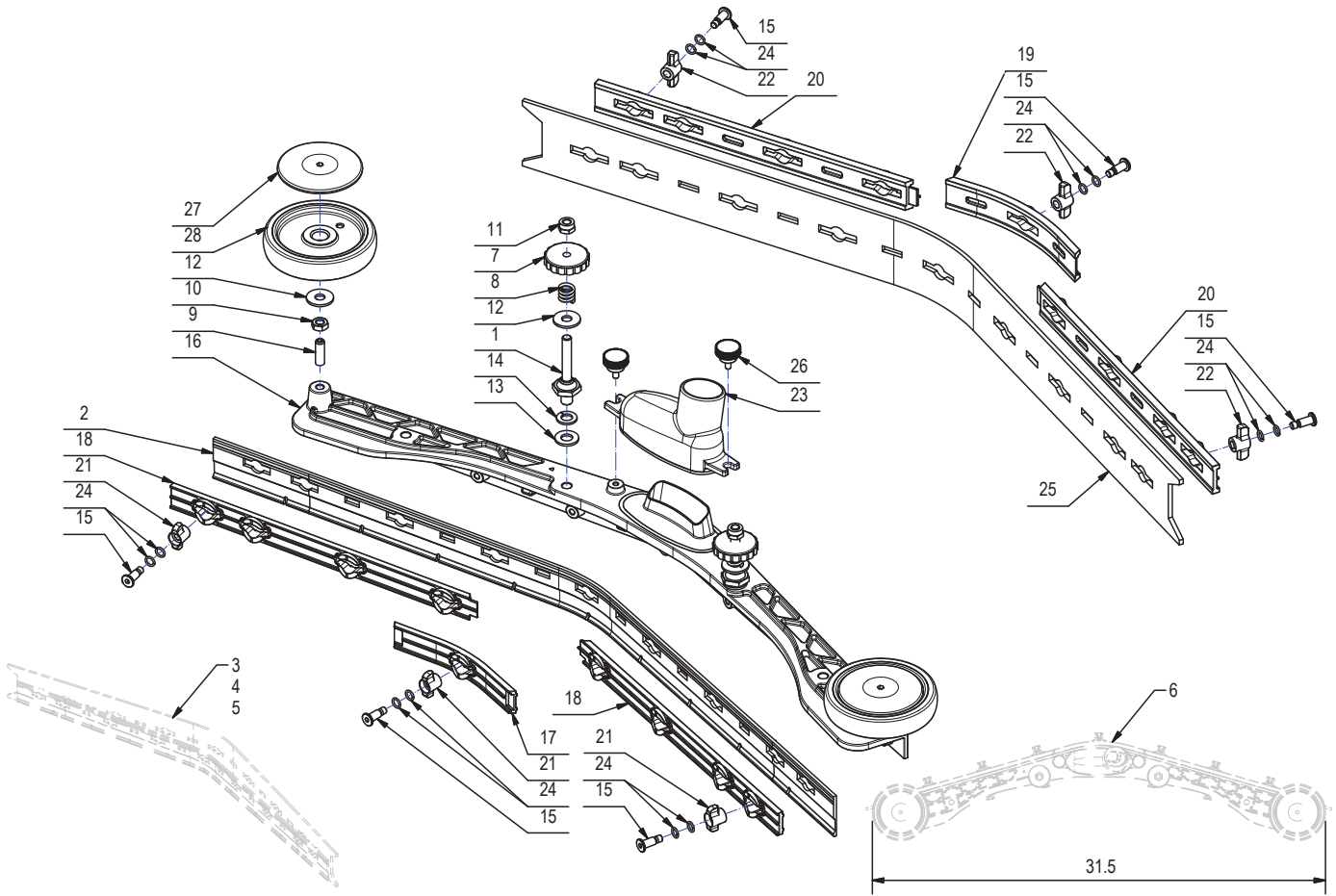
# SQUEEGEE ASSEMBLY - STANDARD 28" DIAGRAM



## SQUEEGEE ASSEMBLY - STANDARD 28" PARTS LISTING

Item#	Part #	Description	Item#	Part #	Description
1	E22255	Stud Bolt	2	15	E22346 Screw, Custom Cap
2	E22659	Squeegee Blade Kit, 28"	1	16	E22663 Squeegee Body, 28"
3	E22659	Squeegee Blade Kit, 28"	1	17	E22352 Center Front Squeegee Blade Clamp
4	E22660	Squeegee Blade Kit Poly, 28"	1	18	E22664 Front Retaining Blade
5	E22661	Squeegee Blade Kit Latex, 28"	1	19	E22355 Center Rear Squeegee Blade Clamp
6	E22662	Squeegee Assembly Complete, 28"	1	20	E22665 Rear Retaining Blade
7	E83331	Knob, M8 Round Nylon Female	2	21	E22358 Wing Nut Knob
8	E83402	Spring, 15mm O.D. x 11mm I.D. x 16mm L	2	22	E22359 Wing Nut Knob
9	E22186	Pin	2	23	E22360 Squeegee Shoe Adapter
10	E83672	Hex Jam Nut, M8x5 SS	2	24	E22659 Squeegee Blade Kit, 28"
11	E81342	Nyloc Hex Jam Nut, M8 SS	2	25	E22385 O-Ring, 7mm
12	E86164	Flat Washer M9x24x2.5 SS	4	26	E22630 Thumb Screw
13	E86255	Flat Washer M10x21x2 SS	2	27	E22646 Wheel Cover
14	E20128	Lock Washer M10 SS	2	28	E22668 Bumper Wheel

# SQUEEGEE ASSEMBLY - OPTIONAL 31.5" DIAGRAM

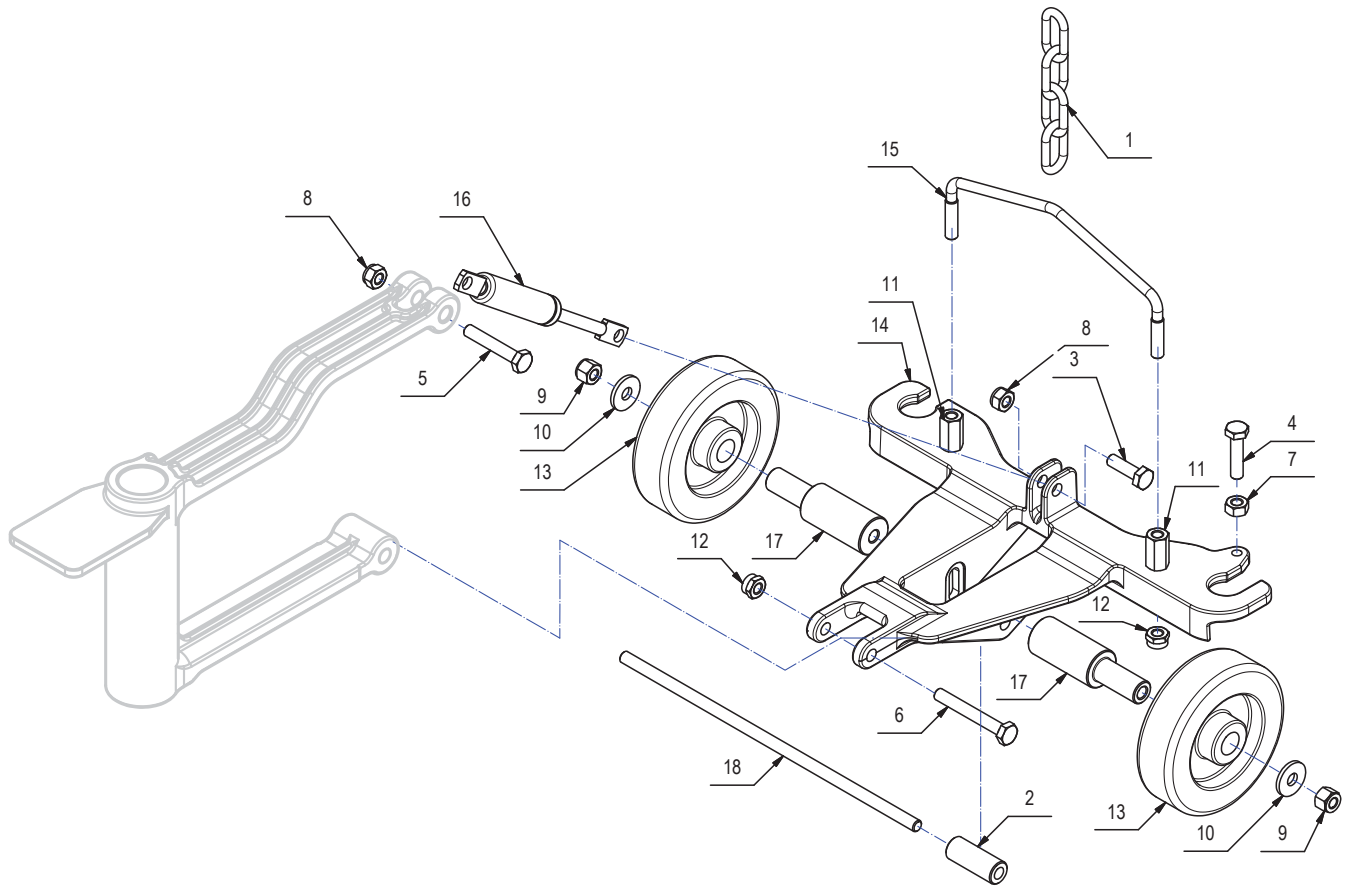




## SQUEEGEE ASSEMBLY - OPTIONAL 31.5" PARTS LISTING

Item#	Part #	Description	Item#	Part #	Description
1	E22255	Stud Bolt	2	15	E22346 Screw, Custom Cap
2	E22637	Squeegee Blade Kit, 31"	1	16	E22633 Squeegee Body
3	E22637	Squeegee Blade Kit, 31"	1	17	E22352 Center Front Squeegee Blade Clamp
4	E84277	Squeegee Blade Kit Poly, 31"	1	18	E22635 Front Squeegee Blade Clamp
5	E84278	Squeegee Blade Kit Latex, 31"	1	19	E22355 Center Rear Squeegee Blade Clamp
6	E84279	Squeegee Assembly Complete, 31"	1	20	E22634 Rear Squeegee Blade Clamp
7	E83331	Knob, M8 Round Nylon Female	2	21	E22358 Wing Nut Knob
8	E83402	Spring, 15mm O.D. x 11mm I.D. x 16mm L	2	22	E22359 Wing Nut Knob
9	E22186	Pin	2	23	E22360 Squeegee Shoe Adapter
10	E83672	Hex Jam Nut, M8x5 SS	2	24	E22385 O-Ring, 7mm
11	E81342	Nyloc Hex Jam Nut, M8 SS	2	25	E22637 Squeegee Blade Kit, 31"
12	E86164	Flat Washer M9x24x2.5 SS	4	26	E22630 Thumb Screw
13	E86255	Flat Washer M10x21x2 SS	2	27	E22646 Wheel Cover
14	E20128	Lock Washer M10 SS	2	28	E22647 Bumper

# SQUEEGEE SUPPORT ASSEMBLY DIAGRAM

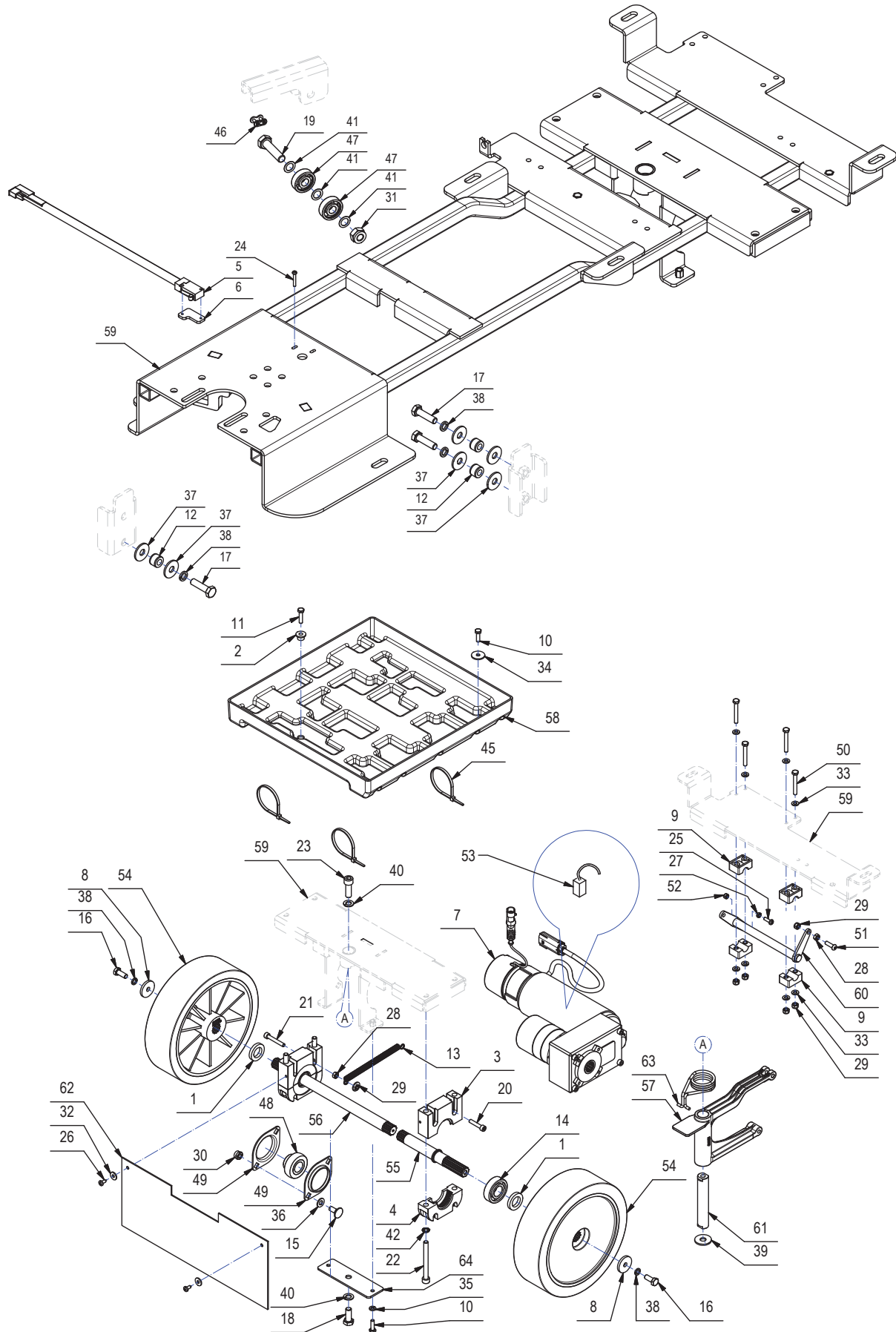


# SQUEEGEE SUPPORT ASSEMBLY PARTS LISTING

Item#	Part #	Description	
1	E22670	Lift Chain	1
2	E22282	Bushing M12 OD x 6.25 ID x 30.5 LG	1
3	E82772	Hex Bolt M6x20 Zinc	1
4	E22671	Hex Bolt, M6x25 Zinc	1
5	E83834	Hex Bolt M6x35 Zinc	1
6	E22546	Screw	1
7	E83947	Hex Nut, M6x5 SS	1
8	E83550	NyLoc Hex Nut, M6 Zinc	2
9	E22507	Nut, M6 x 8	2

Item#	Part #	Description	
10	E83799	Flat Washer M6.6x18x2 SS	2
11	E22672	Nut, M6, 18mm Height	2
12	E82314	Nyloc Hex Nut, M6 SS	3
13	E88280	Wheel 80 OD x 23 W	2
14	E22673	Squeegee Carriage	1
15	E22674	Carriage Lift Arm	1
16	E22675	Pressure Cylinder	1
17	E22676	Axle Bushing	2
18	E22677	Axle	1

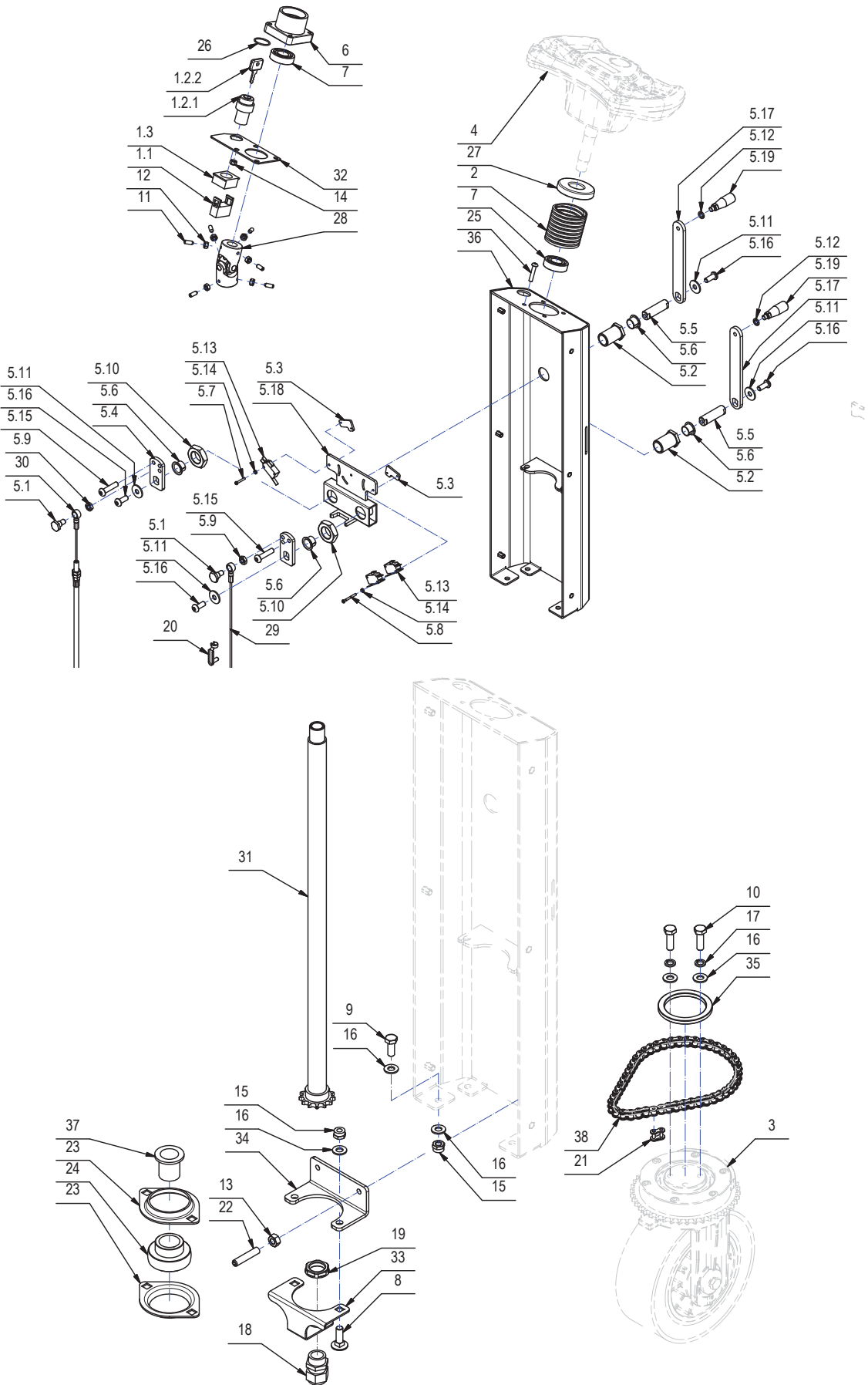
# CHASSIS ASSEMBLY DIAGRAM



# CHASSIS ASSEMBLY PARTS LISTING

Item#	Part #	Description	Item#	Part #	Description
1	E22584	Spacer	2	33	E82761 Flat Washer M6x12x1.6 Zinc
2	E22678	Bushing	1	34	E83278 Flat Washer M6.5x24x2 Zinc
3	E20609	Bearing Mount Base	2	35	E82774 Lock Washer, M6 Zinc
4	E20014	Bearing Mount Cap	2	36	E81874 Flat Washer M8x17x1.6 Zinc
5	E88279	Micro Switch Sealed	1	37	E83404 Flat Washer M9x24x2.5 Zinc
6	E22679	Support Plate	1	38	E83704 Lock Washer M8x13x2.2 Zinc
7	E22680	Traction Motor, 24V 300W	1	39	E81020 Washer, 11x30X2.5
8	E81915	Flat Washer M8.2x32x4 Zinc	2	40	E83948 Lock Washer M10x18x2.2 Zinc
9	E82834	Pivot Block	4	41	E83877 Shim
10	E82772	Hex Bolt M6x20 Zinc	3	42	E82760 Washer, M8
11	E20090	Hex Bolt M6x25 Zinc	1	43	E83935 Wire Tie
12	E85767	Bushing	3	44	E22611 Hose Clamp
13	E82691	Spring	1	45	E81565 Clamp, 4.8x200 Black
14	E81657	Bearing, 6204 2RS	2	46	E82492 Master Chain Link
15	E88239	Screw	2	47	E83384 Bearing, 6200RS BPS26
16	E81917	Bolt, Hex, M8x20, Zinc	2	48	E22593 Bearing
17	E83802	Hex Bolt M8x30 Zinc	3	49	E22594 Flange
18	E20240	Hex Bolt M10x25 Zinc	1	50	E22683 Screw, M6 x 45
19	E20100	Hex Bolt M10x40 Zinc	1	51	E20364 Button Hd Soc Machine Screw, M6 x 20, Zinc
20	E22681	Screw, M6 x 30	4	52	E20382 Nyloc Hex Nut, M5 x 5 Zinc
21	E20342	Soc Hd Cap Screw M6x40 Zinc	1	53	E81553 Carbon Brush
22	E22682	Screw, M8 x 80	4	54	E22596 Wheel
23	E20289	Soc Hd Cap Screw M10x30 Zinc	1	55	E22597 Axle Shaft, Left
24	E20242	Pan Hd Phil Machine Screw M3x20 Zinc	2	56	E22598 Axle Shaft, Right
25	E22292	Pan Hd Phil Machine Screw M5x16 Zinc	1	57	E22684 Coupling Mount
26	E88017	Screw, Pan Hd Phil Self Tap M4.8x13 SS	2	58	E88002 Battery Tray
27	E82317	Hex Jam Nut, M5X3.5 Zinc	1	59	E22685 Machine Frame
28	E83852	Hex Nut, M6x5	2	60	E22686 Lever
29	E83550	NyLoc Hex Nut, M6 Zinc	6	61	E22687 Bushing
30	E86853	Nyloc Hex Nut, M8 Zinc	2	62	E22688 Splash Skirt
31	E83381	Nyloc Hex Nut, M10 Zinc	1	63	E22689 Spring
32	E20121	Flat Washer M5x15x1.5 Zinc	2	64	E22690 Plate

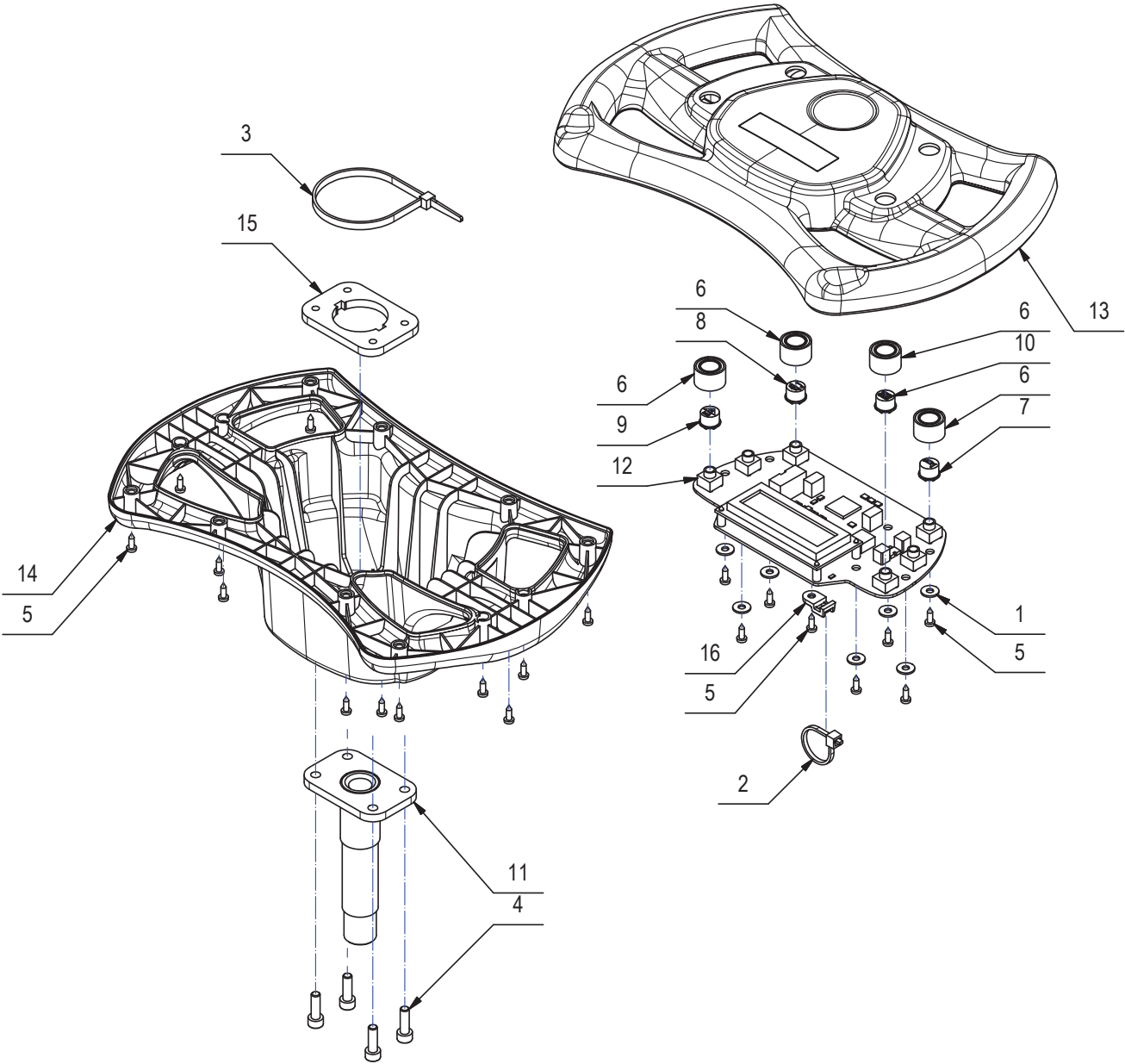
# STEERING COLUMN ASSEMBLY DIAGRAM



# STEERING COLUMN ASSEMBLY PARTS LISTING

Item#	Part #	Description	Item#	Part #	Description
1	E82351	Key Switch Assembly w/Keys	9	E81917	Bolt, Hex, M8x20, Zinc
1.1	E83173	Contact, Key Switch	10	E83833	Hex Bolt M8x25 Zinc
1.2.1	E83316	Key Switch	11	E22185	Pin
1.2.2	E83315	Switch Key (1)	12	E83852	Hex Nut, M6x5
1.3	E81358	Switch Flange	13	E83656	Hex Nut, M8x6.5 Zinc
2	E22269	Bellows	14	E83550	NyLoc Hex Nut, M6 Zinc
3	E22691	Front Wheel Assembly	15	E86853	Nyloc Hex Nut, M8 Zinc
4	E22692	Steering Wheel Assembly	16	E81874	Flat Washer M8x17x1.6 Zinc
5.1	E20007	Stud Bolt	17	E83704	Lock Washer M8x13x2.2 Zinc
5.2	E22693	Bushing	18	E82843	Lid
5.3	E22679	Support Plate	19	E88192	Nut
5.4	E22694	Cam Plate	20	E83542	Clip WS17
5.5	E22695	Shaft	21	E82492	Master Chain Link
5.6	E22696	Bushing	22	E20467	Set Screw Hex Soc Flat End M8x40 Zinc
5.7	E20242	Pan Hd Phil Machine Screw M3x20 Zinc	23	E22309	Bearing Flange
5.8	E20243	Pan Hd Phil Machine Screw M3x30 Zinc	24	E22310	Bearing
5.9	E82808	Hex Jam Nut, M8X5 Zinc	25	E84204	Screw, M6 x 30
5.1	E88104	Nut	26	E84205	O-Ring
5.11	E83404	Flat Washer M9x24x2.5 Zinc	27	E22333	Bellows Collar
5.12	E83704	Lock Washer M8x13x2.2 Zinc	28	E84206	Universal Join
5.13	E22697	Microswitch	29	E84207	Squeegee Lift Cable
5.14	E20365	Hex Nut, M3x2.5 Zinc	30	E84208	Brush Deck Lift Cable
5.15	E22698	Screw, M8 x 35	31	E84209	Steering Shaft
5.16	E22699	Screw, M8 x 20	32	E84210	Plate
5.17	E84201	Lever Arm	33	E84211	Lower Bearing Mount
5.18	E84202	Support Plate	34	E84212	Upper Bearing Mount
5.19	E84203	Lift Arm Knob	35	E84213	Spacer Ring
6	E20081	Bearing Block	36	E84214	Steering Column Cover
7	E83923	Bearing, 6004 2RS	37	E84215	Bushing
8	E20093	Carriage Bolt M8x25 Zinc	38	E84216	Steering Chain

# STEERING WHEEL ASSEMBLY DIAGRAM



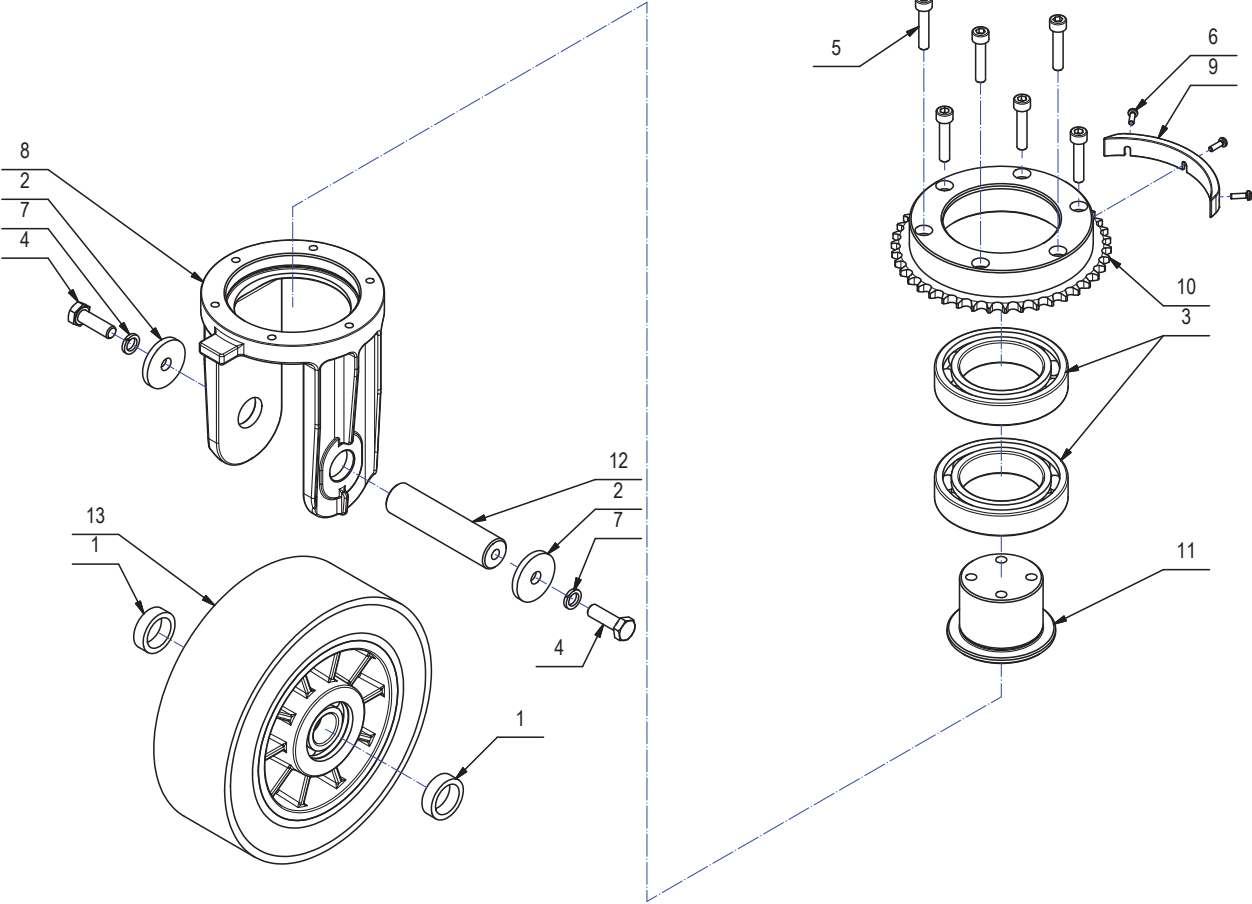


# STEERING WHEEL ASSEMBLY PARTS LISTING

Item#	Part #	Description	
1	E20293	Flat Washer M4x10x1 Nylon	7
2	E83935	Wire Tie	1
3	E81565	Clamp, 4.8x200 Black	1
4	E84217	Screw, M5 x 16	4
5	E81875	Screw, Pan Hd Phil Self Tap M2.9x9.5 Zinc	20
6	E84218	Gasket	4
7	E84219	Horn Button Cover	1
8	E84220	Brush Uncouple Button Cover	1

Item#	Part #	Description	
9	E84221	Reverse Button Cover	1
10	E84222	ECO Mode Button Cover	1
11	E84223	Steering Wheel Shaft	1
12	E84224	Control Card	1
13	E84225	Upper Steering Wheel Cover	1
14	E84226	Lower Steering Wheel Cover	1
15	E84227	Plate	1
16	E84228	Support	1

# FRONT WHEEL ASSEMBLY DIAGRAM

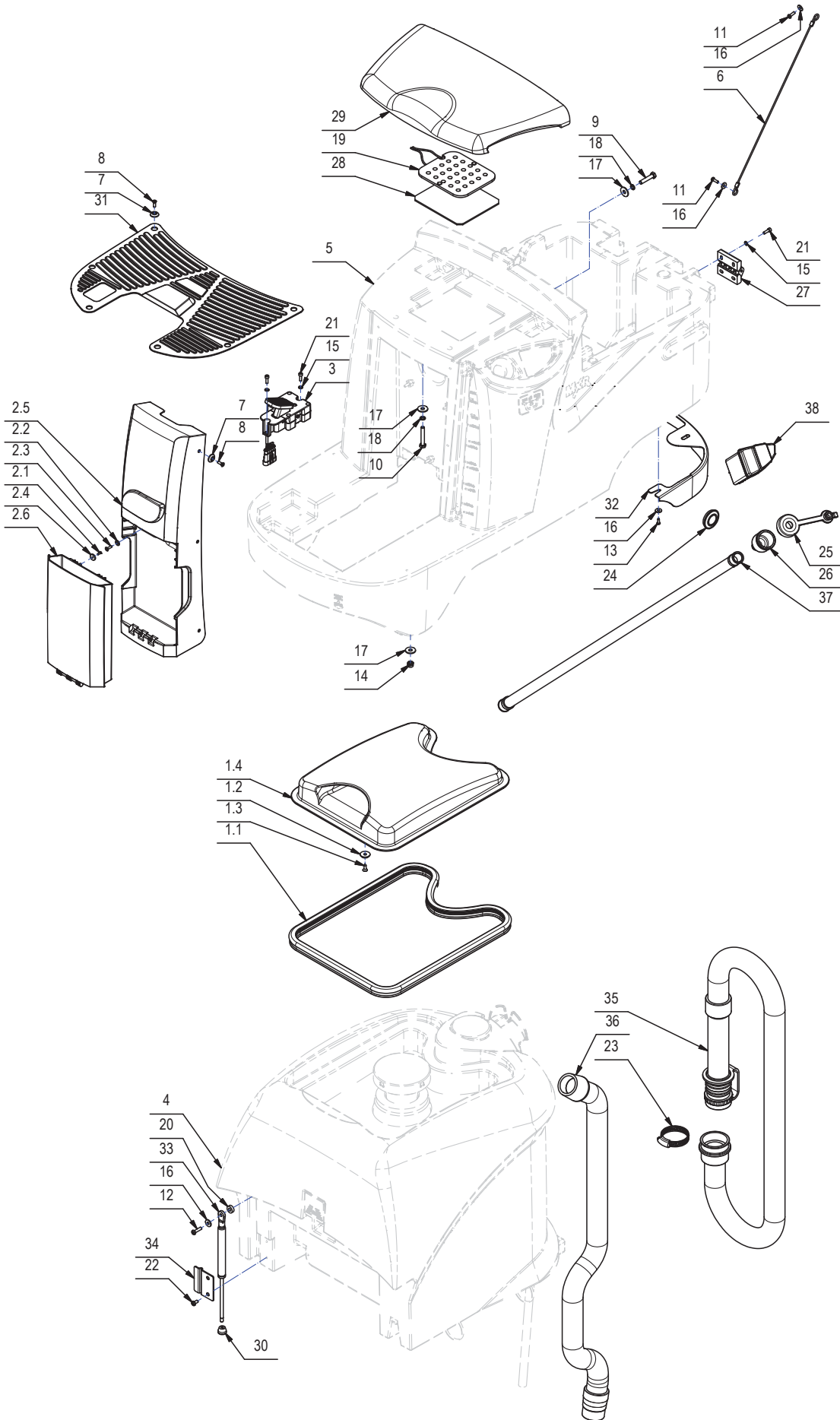


## FRONT WHEEL ASSEMBLY PARTS LISTING

Item#	Part #	Description	
1	E86216	Spacer	2
2	E81915	Flat Washer M8.2x32x4 Zinc	2
3	E88020	Bearing	2
4	E20096	Hex Bolt M8x25 SS	2
5	E22681	Screw, M6 x 30	6
6	E20244	Pan Hd Phil Machine Screw M3x10 Zinc	3
7	E20252	Lock Washer M8x13x2.2 SS	2

Item#	Part #	Description	
8	E84229	Wheel Mount	1
9	E84230	Cam Plate	1
10	E84231	Steering Gear	1
11	E84232	Bearing Support	1
12	E84233	Axle Shaft	1
13	E84234	Front Wheel	1

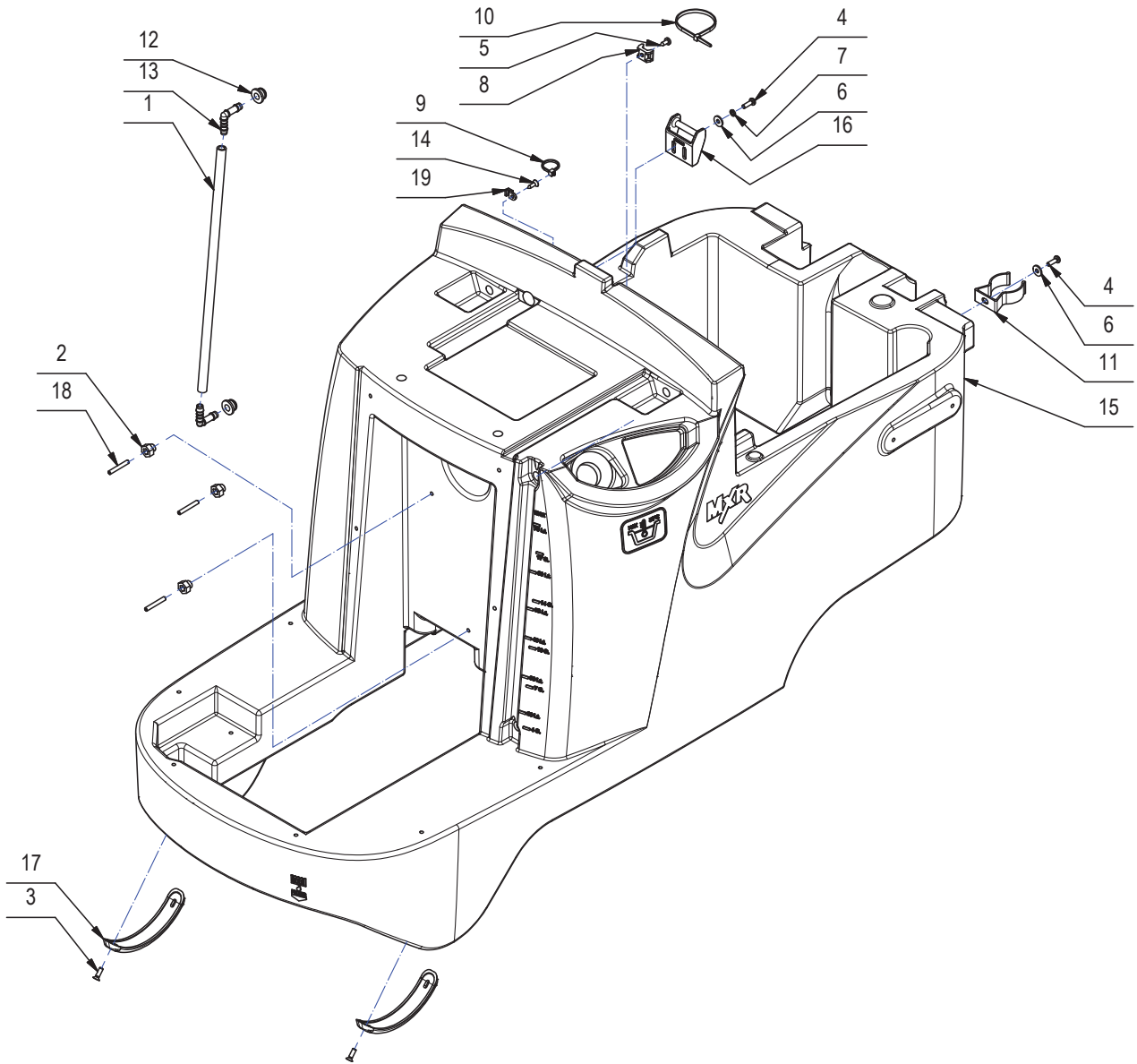
# EXTERIOR COMPONENTS DIAGRAM



# EXTERIOR COMPONENTS PARTS LISTING

Item#	Part #	Description		Item#	Part #	Description	
1.1	E84235	Recovery Lid Gasket	1	16	E20121	Flat Washer M5x15x1.5 Zinc	7
1.2	E83850	Flat Washer M5x20 SS	1	17	E83404	Flat Washer M9x24x2.5 Zinc	10
1.2	E22381	Screw, Pan Hd Phil Self Tap M4.2x16 SS	1	18	E83704	Lock Washer M8x13x2.2 Zinc	4
1.4	E84236	Recovery Tank Lid	1	19	E83165	Safety Switch	1
2.1	E81672	Flat Hd SL Machine Screw M3x10 SS	2	20	E20524	Standoff	1
2.2	E82761	Flat Washer M6x12x1.6 Zinc	2	21	E84217	Screw, M5 x 16	10
2.3	E84237	Screw, 4.2 x 16	2	22	E20613	Pan Hd Phil Machine Screw M5x10 Zinc	2
2.4	E20712	Magnet	2	23	E82695	Clamp 44-56x12.2	1
2.5	E84238	Steering Column Cover	1	24	E81971	Wheel Cap	2
2.6	E84239	Steering Column Box	1	25	E20185	Cap	1
3	E84240	Drive Pedal	1	26	E84246	Fill Hose Fitment	1
4	E84241	Recovery Tank Assembly	1	27	E84245	Hinge	2
5	E84242	Solution Tank Assembly	1	28	E22391	Pad	1
6	E84243	Recovery Tank Support Cable	1	29	E84247	Seat Pad	1
7	E83850	Flat Washer M5x20 SS	12	30	E84248	Piston Cap	1
8	E83839	Oval Hd Phil Machine Screw M5x16 Zinc	12	31	E84249	Foot Plate	1
9	E83830	Hex Bolt M8x40 Zinc	2	32	E84250	Rear Shroud	1
10	E87285	Hex Bolt M8x50 Zinc	2	33	E84251	Shock Absorber	1
11	E22292	Pan Hd Phil Machine Screw M5x16 Zinc	2	34	E84252	Mounting Plate	1
12	E84244	Bolt, M5 x 20	1	35	E84253	Recovery Discharge Hose	1
13	E20104	Screw, Pan Hd Phil Self Tap M4.2x13 SS	4	36	E84254	Vacuum Hose	1
14	E86853	Nyloc Hex Nut, M8 Zinc	6	37	E84255	Solution Filling Hose	1
15	E83879	Flat Washer M5x11x1 Zinc	10	38	E84256	Solution Cap Measuring Cup	1

# SOLUTION TANK ASSEMBLY DIAGRAM

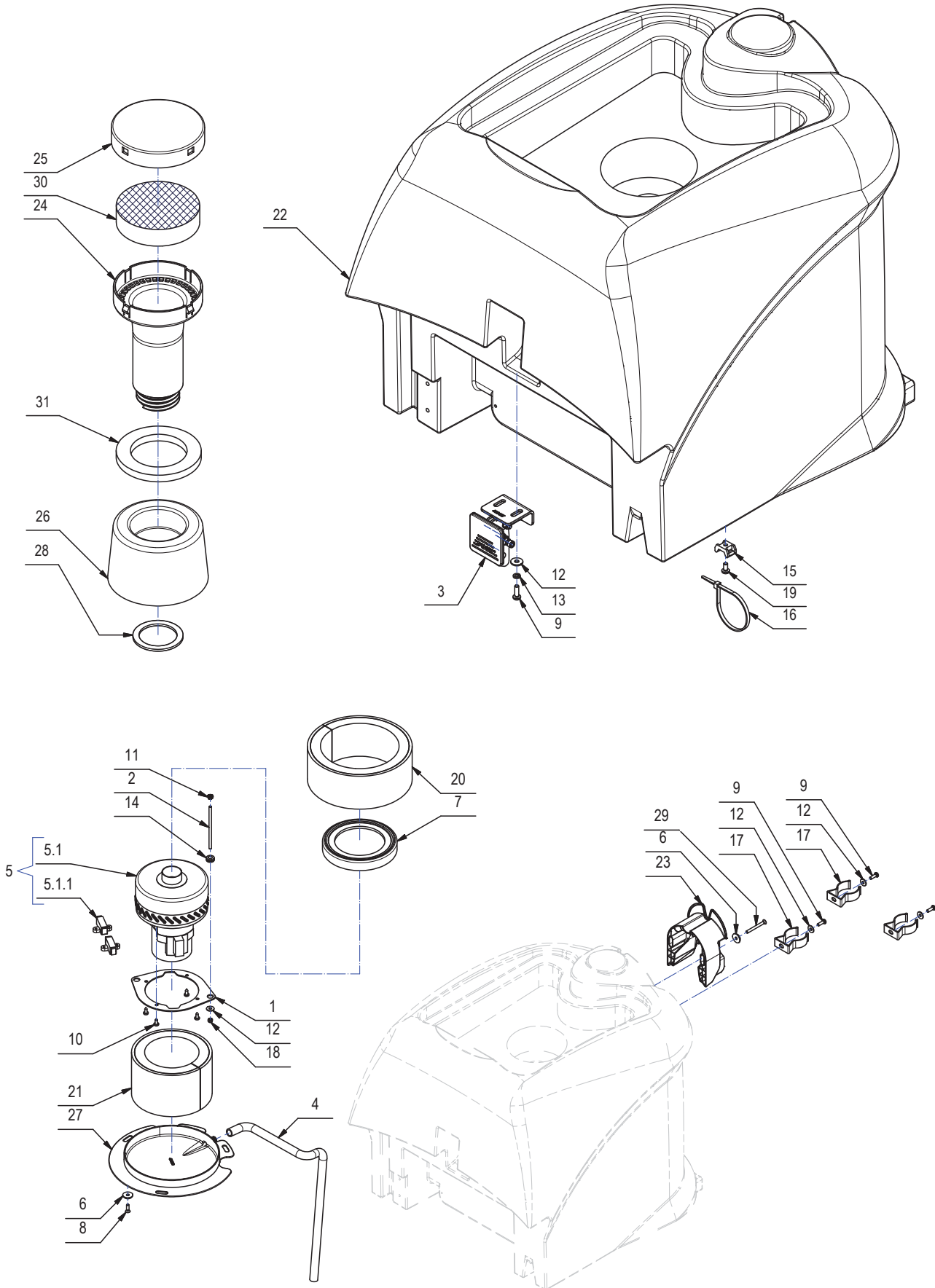


# SOLUTION TANK ASSEMBLY PARTS LISTING

Item#	Part #	Description	
1	E84279	Sight Tube	1
2	E84280	Bushing	3
3	E83839	Oval Hd Phil Machine Screw M5x16 Zinc	4
4	E22292	Pan Hd Phil Machine Screw M5x16 Zinc	3
5	E88017	Screw, Pan Hd Phil Self Tap M4.8x13 SS	2
6	E20121	Flat Washer M5x15x1.5 Zinc	3
7	E20123	Lock Washer M5x1.6 Zinc	2
8	E22299	Cable Tie Holder	2
9	E83935	Wire Tie	1
10	E81565	Clamp, 4.8x200 Black	2

Item#	Part #	Description	
11	E81786	Hose Clip	1
12	E88717	Grommet, Push-In, M13 x M8	2
13	E22328	Fitting, Barbed Elbow	2
14	E22381	Screw, Pan Hd Phil Self Tap M4.2x16 SS	1
15	E84242	Solution Tank Assembly	1
16	E84281	Locking Pin	1
17	E84282	Bumper Guard	2
18	E84283	Dowel	3
19	E84228	Support	1

# RECOVERY TANK ASSEMBLY DIAGRAM

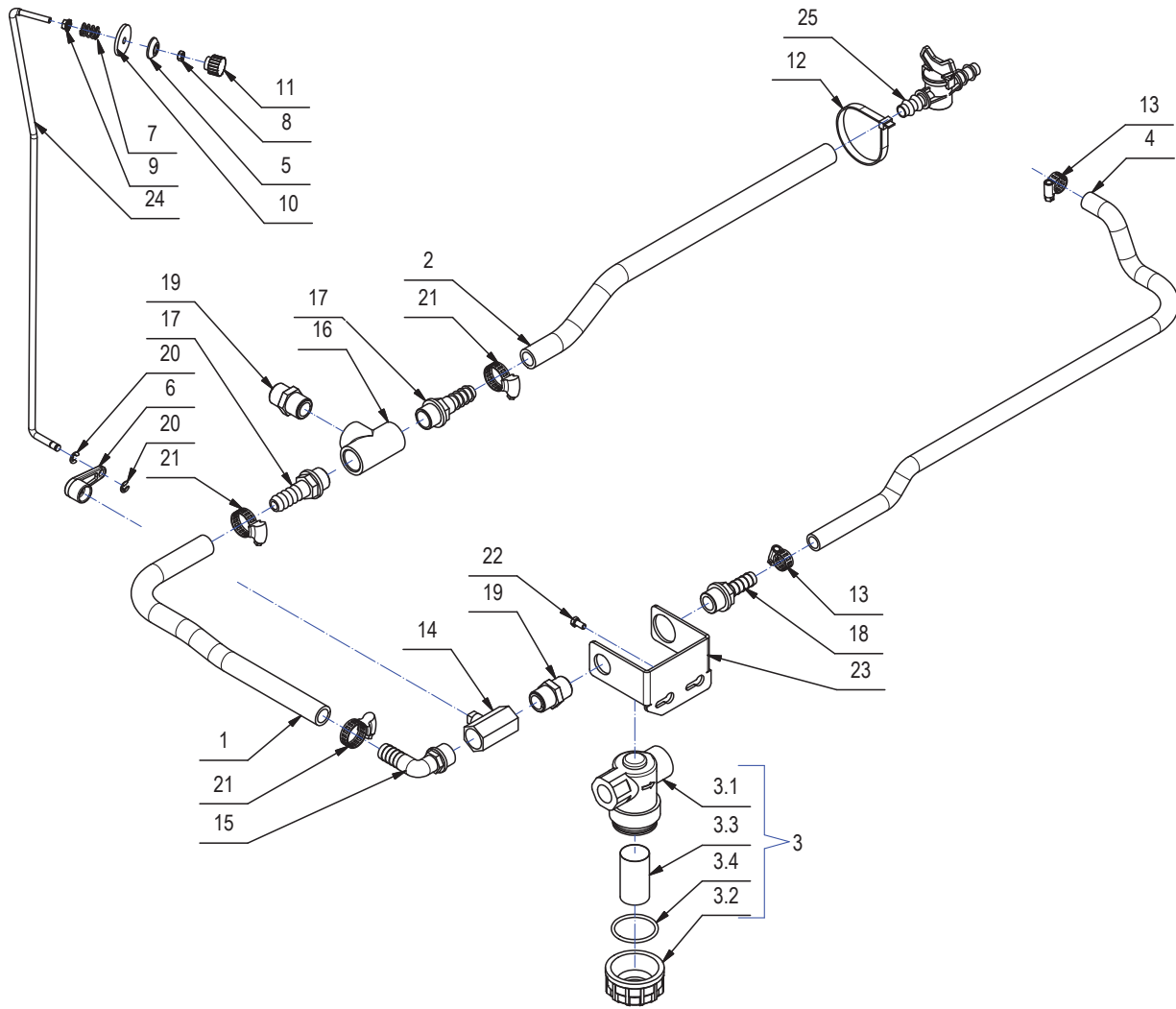




# RECOVERY TANK ASSEMBLY PARTS LISTING

Item#	Part #	Description	Item#	Part #	Description
1	E82838	Motor Plaque	16	E81565	Clamp, 4.8x200 Black
2	E22225	Connecting Rod M5 x 102 LG Zinc	17	E81786	Hose Clip
3	E84286	Hook Assembly	18	E20382	Nyloc Hex Nut, M5 x 5 Zinc
4	E84287	Tubing	19	E20613	Pan Hd Phil Machine Screw M5x10 Zinc
5	E84285	Vacuum Motor	20	E84289	Sound Deadening
5.1	E84285	Vacuum Motor	21	E84290	Sound Deadening
5.1.1	E22624	Carbon Brush - Vacuum Motor	22	E84241	Recovery Tank
6	E83850	Flat Washer M5x20 SS	23	E84291	Drain Hose Hook
7	E84288	Vacuum Motor Shroud	24	E84292	Shut Off Float Body
8	E83839	Oval Hd Phil Machine Screw M5x16 Zinc	25	E84293	Shut Off Float Cap
9	E22292	Pan Hd Phil Machine Screw M5x16 Zinc	26	E84294	Shut Off Float Cup
10	E88017	Screw, Pan Hd Phil Self Tap M4.8x13 SS	27	E84295	Vacuum Motor Cover
11	E88010	Hex Nut, M5	28	E84296	Gasket
12	E20121	Flat Washer M5x15x1.5 Zinc	29	E84297	Screw, M5 x 50 Zinc
13	E20123	Lock Washer M5x1.6 Zinc	30	E84298	Filter, Float Shut Off
14	E84284	Stud Bolt	31	E84299	Gasket
15	E22299	Cable Tie Holder			

# WATER DISTRIBUTION ASSEMBLY DIAGRAM

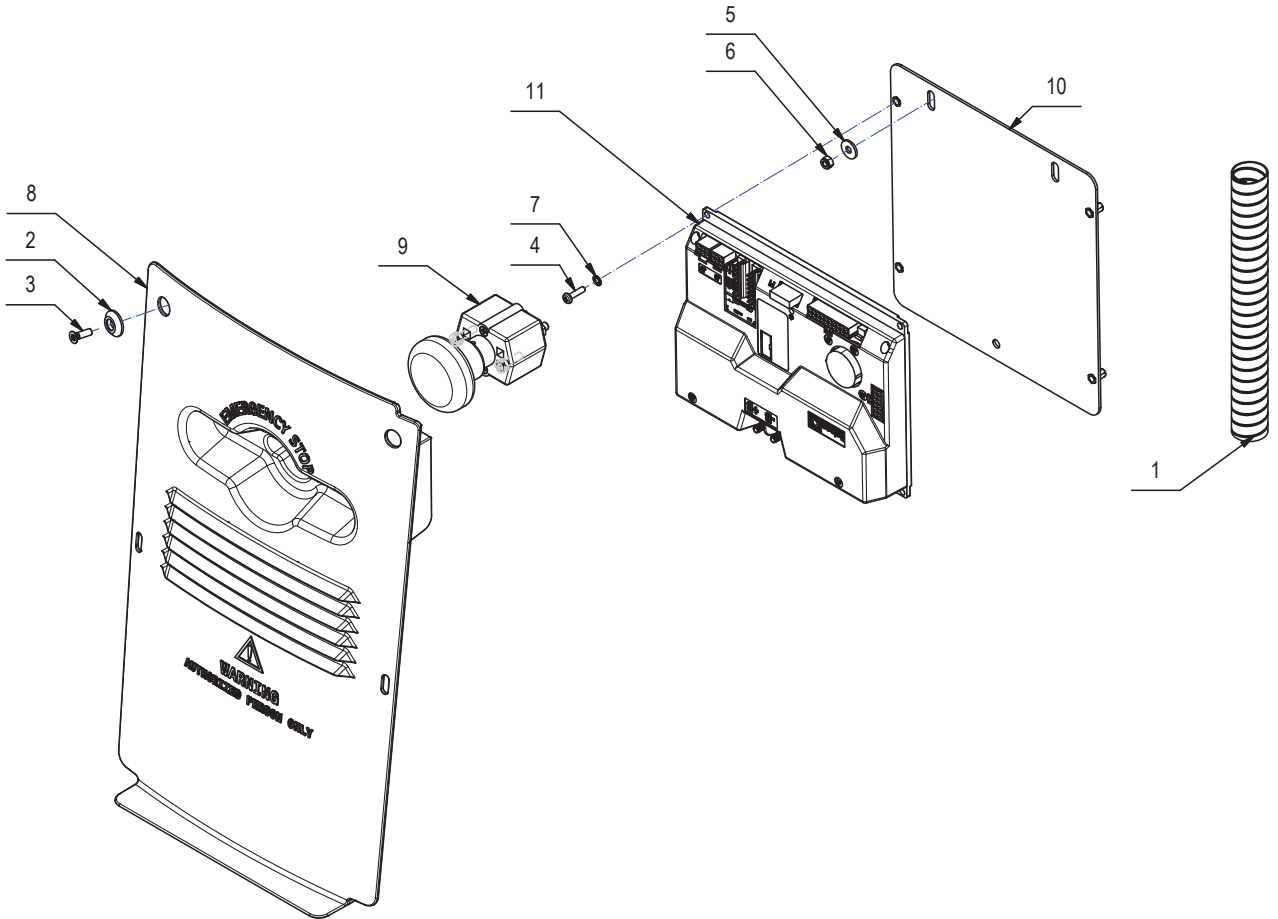


# WATER DISTRIBUTION ASSEMBLY PARTS LISTING

Item#	Part #	Description	
1	E84257	Tubing 12 ID x 350 L	1
2	E20328	Tubing 12 ID x 480 L	1
3	E88207	Filter Assembly, Inline Double Female 1/2" NPT	1
3.1	E20512	Filter, Body	1
3.2	E20144	Cap	1
3.3	E88218	Filter Cartridge	1
3.4	E20145	O-Ring	1
4	E84259	Tubing, Reinforced 12 ID x 650L	1
5	E83850	Flat Washer M5x20 SS	1
6	E82705	Valve Lever	1
7	E82309	Spring, 11.8x1.2x15mm Zinc Compression	1
8	E82317	Hex Jam Nut, M5X3.5 Zinc	1
9	E88010	Hex Nut, M5	1
10	E83798	Flat Washer M6x30x3 PVC Black	1
11	E22301	Knob, Solution Flow Control	1

Item#	Part #	Description	
12	E84260	Hose Clamp	1
13	E85762	Hose Clamp	2
14	E82366	Valve	1
15	E81454	Barbed Elbow	1
16	E88429	T-Fitting, 1/2" Pipe	1
17	E88400	Fitting	2
18	E83604	Connector	1
19	E22304	Fitting, Threaded Nipple	2
20	E84263	Washer	2
21	E84624	Hose Clamp	3
22	E20134	Hex Bolt M5x10 Zinc	2
23	E84265	Bracket	1
24	E84266	Solution Rod	1
25	E84267	Valve	1

# ELECTRICAL COMPONENTS DIAGRAM

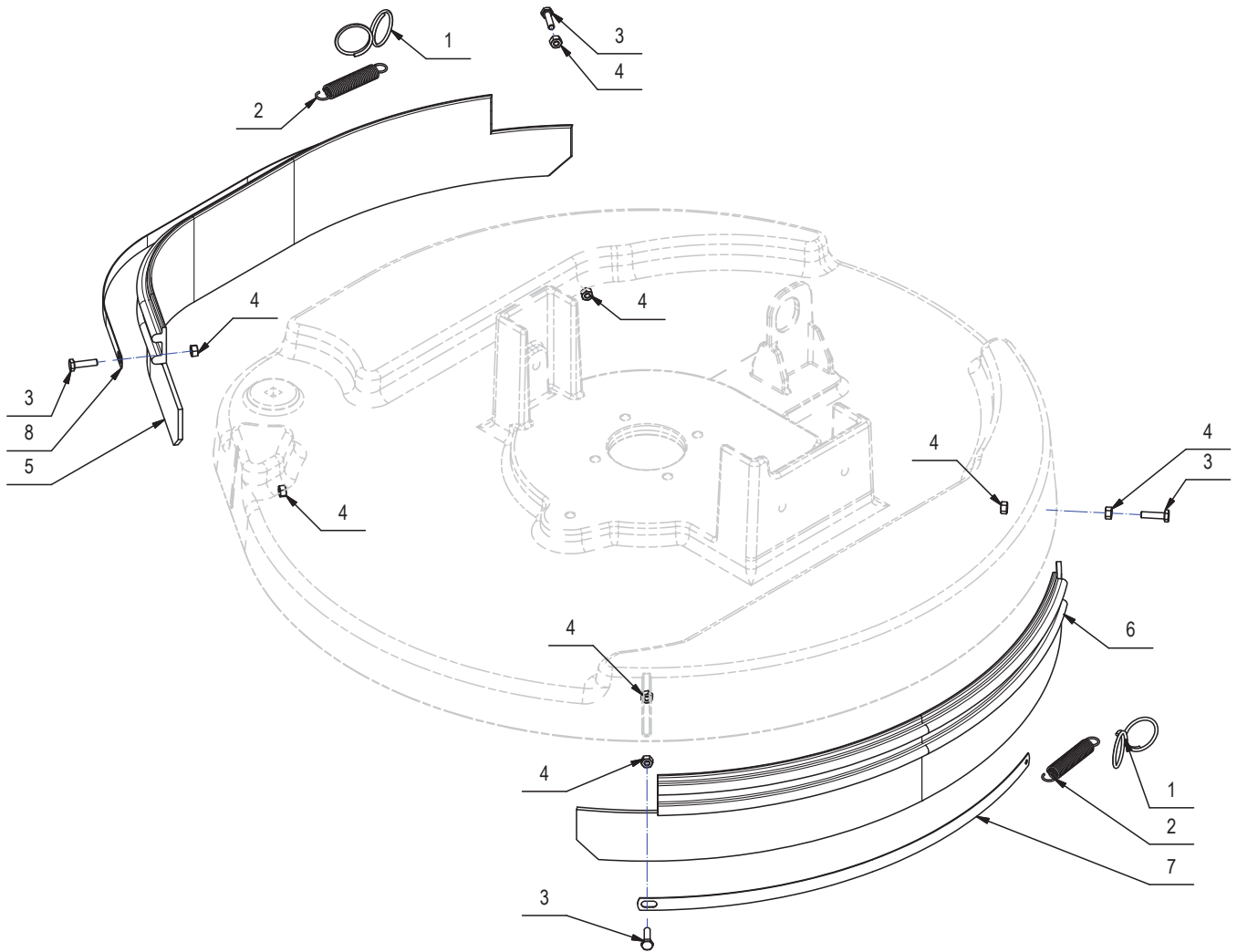


# ELECTRICAL COMPONENTS PARTS LISTING

<b>Item#</b>	<b>Part #</b>	<b>Description</b>	
1	E84268	Wire Loom Protection	1
2	E83850	Flat Washer M5x20 SS	4
3	E83839	Oval Hd Phil Machine Screw M5x16 Zinc	4
4	E2039200	Pan Hd Phil Machine Screw M4x16 Zinc	4
5	E20121	Flat Washer M5x15x1.5 Zinc	3
6	E20382	Nyloc Hex Nut, M5 x 5 Zinc	3

<b>Item#</b>	<b>Part #</b>	<b>Description</b>	
7	E84629	Washer	4
8	E84270	Cover	1
9	E84271	Emergency Stop	1
10	E84272	Mounting Plate	1
11	E84273	Control Card	1
12	E84274	Cable Kit	1

# OPTIONAL SPLASH SKIRT ASSEMBLY DIAGRAM



## OPTIONAL SPLASH SKIRT ASSEMBLY PARTS LISTING

<b>Item#</b>	<b>Part #</b>	<b>Description</b>	
1	E83489	Rings	2
2	E83491	Spring, 9.8x1.1x58mm Zinc Extension	2
3	E20341	Hex Bolt M4x16 Zinc	4
4	E20248	Hex Nut, M4x4 Zinc	8

<b>Item#</b>	<b>Part #</b>	<b>Description</b>	
5	E84275	Splash Guard	1
6	E84275	Splash Guard	1
7	E84276	Retaining Blade	1
8	E84276	Retaining Blade	1

# STEERING WHEEL FUNCTION

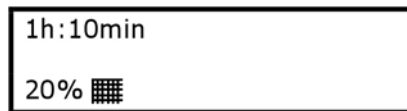
## THE STEERING WHEEL CONSOLE ALLOWS THE FOLLOWING FUNCTIONS:

1. Setup and manage the main functions and commands of the machine during operation.
2. Access to the following program menus:
  - A: USER MENU - This menu provides access to all the base functions of the machine, intended for operators.
  - B: ADVANCED MENU - This menu provides access to detailed functionality of the machine and electric monitoring systems. This menu is password protected and intended for use by experienced technicians.
3. Read alarm fault codes to manage potential issues with the machine.

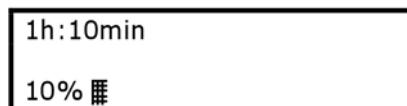


## WORKING MODE & BATTERY STATUS

During working mode, the display will show the hour meter and battery charge status (as a percentage of the total available charge). Verify that the battery check card disables the brush motor (traction and vacuum motors will still work) when the remaining battery charge reaches 20%.



Verify that the battery check card disables the vacuum motor (traction motor will still work) when the remaining battery charge reaches 10%.





# STEERING WHEEL FUNCTION

## ALARM TABLE

The display on the steering wheel will show possible alarms of the machine. Alarms are shown on the first line of the display and it alternates between the Alarm ID and short description.

Alarm Display	Alarm Description	Alarm Resolution
AL_1: Function Brushes Ammeter	Brush Current Protection	High current consumption detected. Check amp draw of the brush motor.
AL_2: Function Vacuum Ammeter	Vacuum Current Protection	High current consumption detected. Check amp draw of the vacuum motor.
AL_3: Function Powerstage Fail	Damaged Powerstage (Power Output)	Brush or vacuum powerstage damaged. Replace the electronic card.
AL_4: Function Overcurrent	Brush or Vacuum Overcurrent	Short circuit on brush or vacuum motor output. Check motor cables and condition.
AL_5: Function Overtemperature	Thermal protection on brush or vacuum motor	High temperature on brush or vacuum stage. Wait 5 minutes and check the motor amp draw.
AL_6: Function Act1:endsw fail	Brush limit switch fault	Check connections to the brush limit switch in the steering column.
AL_7: Function Act2:endsw fail	Vacuum limit switch fault	Check connections to the vacuum limit switch in the steering column.
AL_8: Function Act1:timeout	Brush actuator: final position not reached	Not used on the Stealth DRS21BT
AL_9: Function Act2:timeout	Vacuum actuator: final position not reached	Not used on the Stealth DRS21BT
AL_10: Function Batt. Connection	Batteries are not connected	Check connections on the battery cables and related connections on the electronic card
AL_13: Traction Pedal Failure	Pedal fault	Check connections and function of the potentiometer
AL_14: Traction Release pedal	Pedal pressed when turning on machine	Forward microswitch was pressed when turning on the machine. Release the pedal.
AL_15: Traction Overtemperature	Thermal protection on traction motor	High temperature on traction stage. Wait 5 minutes and check the motor amp draw.
AL_16: Traction Powerstage fail	Damaged Powerstage (Power Output)	Traction power stage damaged. Replace the electronic card.
AL_17: Traction Overcurrent	Traction Overcurrent	Short circuit on traction motor output. Check motor cables and condition.
AL_18: Traction Tract. Ammeter	Traction Current Protection	High current consumption detected. Check the traction motor amp draw.
AL_20: General Eeprom Fail	Eeprom data reading failed	Replace the electronic card
AL_21: General Key-off failure	Fault in turning on/off sequence	Check connections to the key switch
AL_22: General Main Relay Fail	Main Relay Failure	Main relay damaged. Replace the electronic card.
AL_23: General Overvoltage	Overvoltage	Over voltage detected. Check battery status and connections.
AL_24: Traction Batt. Connection	Batteries not connected to electronic card	Check battery status and connections to electronic card
AL_25: General Keyboard failure	No communication between electronic card and command bridge	Check connections between the command bridge and the electronic card

# STEERING WHEEL FUNCTION

## USING AND ACCESSING MENUS:

The steering wheel also acts as a programming and troubleshooting console.

Using a specific key sequence, it is possible to access two types of menus.

1. USER MENU - This menu provides access to all the base functions of the machine, intended for operators.
2. ADVANCED MENU - This menu provides access to detailed functionality of the machine and electric monitoring systems. This menu is password protected and intended for use by experienced technicians.

## ENTER THE "USER MENU"

To enter the user menu, follow the instructions below:

1. With the key switch turned to "Off", simultaneously press "Key 2", "Key 3", and "Key 4".
2. While all three buttons are pressed, turn the key switch to "On".
3. Hold the buttons until the "User Menu" interface appears on the digital panel.



"Key 3" and "Key 4" are used to scroll through the menu options.

"Key 2" is used to enter a submenu to modify a setting and to confirm a new value.

# STEERING WHEEL FUNCTION

## USER MENU

Menu	Default	Available Values	Description
General Setup: Language: ###	EN	IT - EN - DE - FR - SP	Language Setup
General Setup: Model: ## #	MXR	MXR - MXR FSS	Machine Model Setup (DO NOT CHANGE)
General Setup: Battery: # ##	WET	GEL - WET - AGM - GEL1 - WET1	Installed Battery Type
General Setup: Reset Cnt: ###	N	Y / N	Reset for partial hour meter
General Setup: Display Cnt: ###	Tr	Tr / Key	Hour meter working mode: Key or Traction Motor
General Setup: Exit: ## #	N	Y / N	Exit from "User Menu"
General Setup: Total: ## #h : ## #m	-----	-----	General hour meter for key turned on
General Setup: Trctn: ## #h : ## #m	-----	-----	General hour meter for traction motor use
General Setup: Brshs: ## #h : ## #m	-----	-----	General hour meter for brush motor use
General Setup: Vcm: # # #h : ## #m	-----	-----	General hour meter for vacuum motor use
General Setup: Password: ###	60	-----	Password for access to "Advanced Menu" for service technicians.

### TO MODIFY A DEFAULT VALUE, FOLLOW THE INSTRUCTIONS BELOW:

1. Scroll inside the submenu using the "Key 3" and "Key 4" until the desired parameter is found.
2. Select the parameter using the "Key 2", at which time the parameter description will begin flashing.
3. Use "Key 3" and "Key 4" to scroll through the possible alternative values.
4. Once the alternative value is found, press "Key 2" to save the new value.
5. To confirm the new value, it is required to exit back to working mode. Select the submenu "Exit" to return back to working mode."

### HERE IS AN EXAMPLE OF HOW TO CHANGE THE LANGUAGE SETTING FROM EN TO SP

1. Turn the key switch off.
2. Hold "Key 2", "Key 3", and "Key 4" simultaneously and turn the key switch on.
3. Once the user menu is activated, release all three buttons.
4. Use "Key 3" and "Key 4" to scroll through the menu options.
5. When the "language" option appears on the display, press "Key 2" and the display will begin to flash.
6. Use "Key 3" and "Key 4" to scroll through the language options until "SP" appears.
7. Press "Key 2" to save the value of "SP".
8. To confirm the new value, it is required to exit back to working mode. Use "Key 3" and "Key 4" to scroll through the menu options until "Exit" appears. Now press "Key 2" to exit the menu.

# STEERING WHEEL FUNCTION

TO GAIN ACCESS TO THE "ADVANCED MENU", FIRST ENTER THE "USER MENU" AND THEN THE SUBMENU "PASSWORD". ENTER THE VALUE 60.

Menu Display	Description
Options menu: >General sets.	Access to "User Menu"
Options menu: >Brushes sets.	Access to parameters related to the brush motor
Options menu: >Pumps sets.	Not used on Stealth DRS21BT
Options menu: >Vacuum sets.	Access to parameters related to the vacuum motor
Options menu: >Traction sets.	Access to parameters related to the traction motor
Options menu: >Check/Monitor	Access to monitor working parameters of the machine
Options menu: >Engineer pars.	Engineering parameters. <u>Do not modify these settings.</u>
Options menu: >Exit.....	Exit the Advanced Menu

Use "Key 3" and "Key 4" to scroll through the options in the Advanced Menu. Use "Key 2" to enter a submenu, modify a setting, and to confirm a new value.

Use the "Exit" option to leave the "Advanced Menu" and return to working mode.

# STEERING WHEEL FUNCTION

## ADVANCED MENU "GENERAL SETTINGS"

The "General Settings" submenu allows access to general parameters. This is very similar to the "User Menu".

<b>Menu</b>	<b>Default</b>	<b>Available Values</b>	<b>Description</b>
General Sets: Language: # # #	EN	IT - EN - DE - FR - SP	Language Setup
General Sets: Model: # # #	MXR	MXR - MXR FSS	Machine Model Setup (DO NOT CHANGE)
General Sets: Battery: # # #	WET	GEL - WET - AGM - GEL1 - WET1	Installed Battery Type
General Sets: Reset Cnthr: # # #	N	Y / N	Reset for partial hour meter
General Sets: Rst. Main Cnthr: # # #	N	Y / N	Reset for general hour meter

# STEERING WHEEL FUNCTION

## ADVANCED MENU "BRUSH SETTINGS"

The "Brush Settings" submenu allows access to enter parameters and settings related to the brush motor.

Menu	Default	Description
Brushes Sets: I_Max: # # [Amp]	50	Maximum current sent from the control card to the brush motor
Brushes Sets: I_Nom: # # [Amp]	22	Nominal current defines the amp draw at which the motor shuts off and displays an alarm. Used together with T_Nom value.
Brushes Sets: T_Nom: # # [Secs.]	30	Timer that defines the overcurrent limit at which the motor shuts off and displays an alarm. Used together with I_Nom value.
Brushes Sets: T_Off: # # [Secs.]	0.2	Delay in turning off the brush motor when the drive pedal is released.
Brushes Sets: T_Reset: # # [Secs.]	60	This value is not used.
Brushes Sets: T_On: # # [Secs.]	0.5	Delay in turning on the brush motor when the drive pedal is engaged.
Brushes Sets: Eco Speed: # # [Volts]	17	Voltage reduction of the brush motor when operating in ECO MODE.

To exit the submenu, press at the same time "Key 3" and "Key 4".  
Then, scroll to the "Exit" menu to return to working mode.

## ADVANCED MENU "VACUUM SETTINGS"

The "Vacuum Settings" submenu allows access to enter parameters and settings related to the vacuum motor.

Menu	Default	Description
Vacuum Sets: I_Max: # # [Amp]	40	Maximum current sent from the control card to the vacuum motor
Vacuum Sets: I_Nom: # # [Amp]	18	Nominal current defines the amp draw at which the motor shuts off and displays an alarm. Used together with T_Nom value.
Vacuum Sets: T_Nom: # # [Secs.]	30	Timer that defines the overcurrent limit at which the motor shuts off and displays an alarm. Used together with I_Nom value.
Vacuum Sets: T_Off: # # [Secs.]	20	Delay in turning off the vacuum motor after lifting the squeegee assembly.
Vacuum Sets: T_Reset: # # [Secs.]	60	This value is not used.
Vacuum Sets: Eco Speed: # # [Volts]	17	Voltage reduction of the vacuum motor when operating in ECO MODE.

To exit the submenu, press at the same time "Key 3" and "Key 4".  
Then, scroll to the "Exit" menu to return to working mode.

# STEERING WHEEL FUNCTION

## ADVANCED MENU "TRACTION SETTINGS"

The "Traction Settings" submenu allows access to enter parameters and settings related to the traction drive motor.

Menu	Default	Description
Traction Sets: Acc_Ramp: # . # [Secs]	3.0	Acceleration ramp, the time needed to reach maximum speed.
Traction Sets: Dec_Ramp: # . # [Secs]	0.7	Deceleration ramp, the time needed to completely stop the machine when the drive pedal is released.
Traction Sets: Rev_Ramp: # . # [Secs]	0.7	Reverse ramp, the time needed to change from forward to reverse and reverse to forward.
Traction Sets: FW_Speed: # # # [%]	100	Maximum forward speed (as a percentage of the maximum reachable speed)
Traction Sets: BW_Speed: # # # [%]	60	Maximum reverse speed (as a percentage of the maximum forward speed)
Traction Sets: Min_Speed: # # # [%]	0	Speed at minimum pressing of the drive pedal.
Traction Sets: Ref_0: # # # # [Volt]	7	Minimum potentiometer voltage in idle condition.
Traction Sets: Ref_FW: # # # [Volt]	9	Maximum potentiometer voltage for forward travel.
Traction Sets: Ref_BW: # # # [Volt]	9	Maximum potentiometer voltage for reverse travel.
Traction Sets: Ref_DB: # # # [Volt]	02000	Dead band of the potentiometer
Traction Sets: Brake Del: # # # [Secs]	1.5	Electronic parking brake delay when the machine is switched off.
Traction Sets: Model V: # # [%]	50	Voltage setup for speed reduction
Traction Sets: Model I: # # [%]	25	Amp setup for speed reduction
Traction Sets: Runaway: # # # [Volt]	100	Not Used
Traction Sets: I_Max: # # [Amp]	70	Maximum current sent from the control card to the traction motor
Traction Sets: I_Nom: # # [Amp]	20	Nominal current defines the amp draw at which the motor shuts off and displays an alarm. Used together with T_Nom value.
Traction Sets: T_Nom: # # [Amp]	10	Timer that defines the overcurrent limit at which the motor shuts off and displays an alarm. Used together with I_Nom value.

To exit the submenu, press at the same time "Key 3" and "Key 4".  
Then, scroll to the "Exit" menu to return to working mode.

# STEERING WHEEL FUNCTION

## ADVANCED MENU "CHECK & MONITOR"

The "Check/Monitor" submenu show the condition of the machine while in use. This is very helpful for troubleshooting purposes.

Menu Display	Description
Check/Monitor: I_Tr: # # [Amp]	Current amp draw of the traction motor.
Check/Monitor: I_Br: # # [Amp]	Current amp draw of the brush motor.
Check/Monitor: I_Vac: # # [Amp]	Current amp draw of the vacuum motor.
Check/Monitor: V_Tr: # # . # [Volt]	Voltage supplied to the traction motor.
Check/Monitor: V_Batt: # # . # [Volt]	Battery voltage during working mode.
Check/Monitor: Vref: # . # [Volt]	Voltage reference of forward/backward pedal.
Check/Monitor: Wtr_Pump: # # [%]	Not Used
Check/Monitor: Det_Pump: # # [%]	Not Used
Check/Monitor: BR Temp: # # [C]	Temperature of the brush/vacuum dissipator
Check/Monitor: TR Temp: # # [C]	Temperature of the traction dissipator
Check/Monitor: TR Ovrld: # # [C]	Over temperature value

## THE "CHECK & MONITOR" VALUES CAN ALSO BE DISPLAYED IN WORKING MODE.

USE THE FOLLOWING STEPS TO ACCESS THIS MENU IN WORKING MODE.

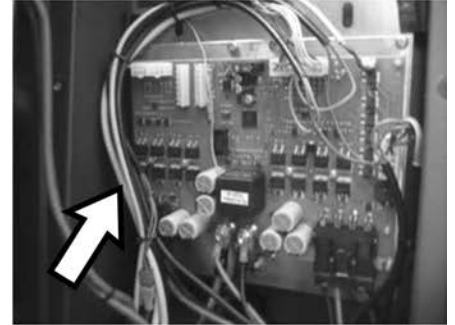
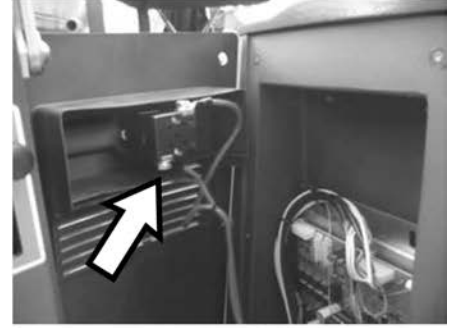
1. Turn the key switch to "Off".
2. Hold "Key 2", "Key 3", and "Key 4" simultaneously and turn the key switch on.
3. Once the user menu is activated, release all three buttons.
4. Use "Key 3" and "Key 4" to scroll through the menu options.
5. When the "password" option appears on the display, press "Key 2" and the display will begin to flash.
6. Use "Key 3" and "Key 4" to display the value 60 as the standard password.
7. Press "Key 2" to confirm the password and enter the "Advanced Menu".
8. Use "Key 3" and "Key 4" to scroll through the menu options until the submenu "Check/Monitor" appears.
9. Press "Key 2" to confirm the "Check/Monitor" menu.
10. Use "Key 3" and "Key 4" to scroll through the menu options until the desired parameter appears.
11. Press "Key 2" to confirm the parameter that will be monitored.
12. Once confirmed, the display will return to working mode. It is now possible to operate the machine as usual and monitor the status of the parameter at the same time.
13. By pressing "Key 2", the display will return to the "Check/Monitor" menu and allow the user to select a different parameter to monitor.
14. To exit the "Check/Monitor" menu, simply turn the machine off.



# ELECTRIC INSTALLATION TEST

## ELECTRIC INSTALLATION TESTING

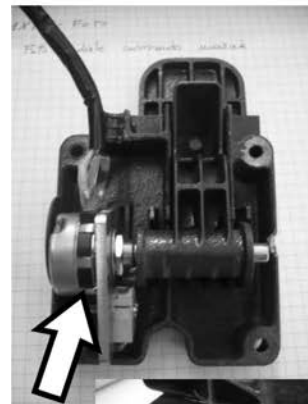
1. Check the functionality of the electric installation: switches, contactors, motors, solenoid valve, power fuses, thermal switches, and emergency button. Remove the bottom plate and the front cover where the emergency stop is located to gain access to the electric installation.



2. Check the cable connection to the drive pedal.



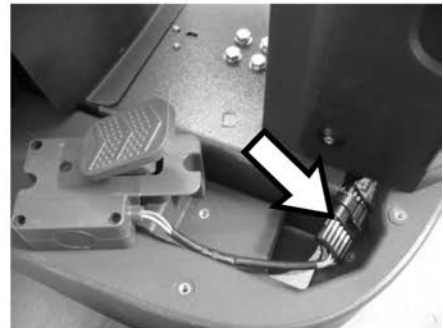
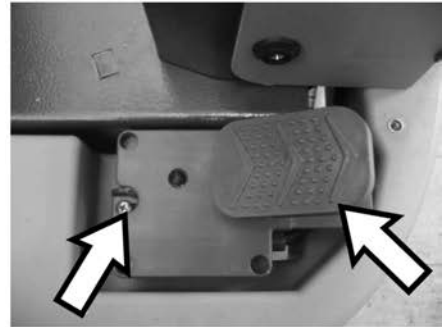
- 2.1. If needed, adjust the potentiometer and the microswitches inside the pedal.



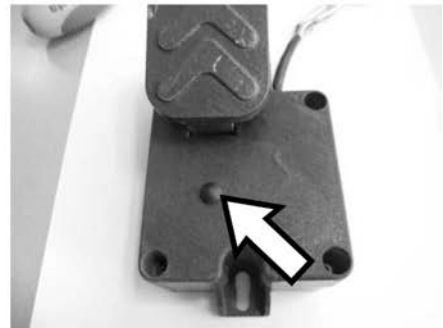
## ELECTRIC INSTALLATION TEST

2.2. To adjust the potentiometer:

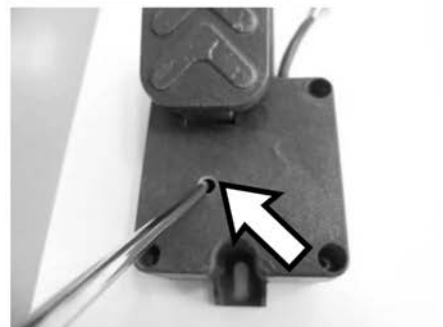
- Remove the foot rest plate
- To remove the pedal, remove the two screws holding it in place and disconnect the wiring plug.



- Remove the plastic cap

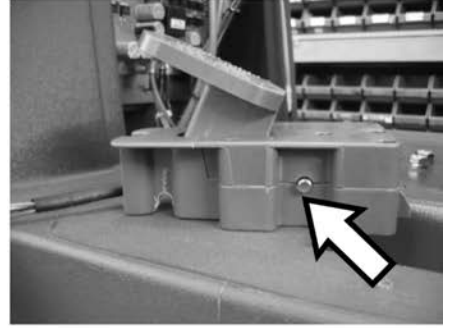


- Loosen the dowel set screw



## ELECTRIC INSTALLATION TEST

- Rotate the small shaft of the pedal clockwise until it reaches its end (zero) position.



- Use a meter to check the resistance value. Place the testing probes on the yellow and red cables to verify that the resistance is near to zero ohm.

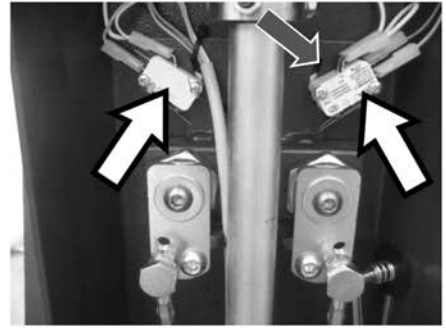


- Rotate the foot pedal shaft counterclockwise until the meter reads 0.5 ohm.
- Tighten the set screw and replace the plastic cap.
- Install the pedal back in the machine and reinstall the foot rest plate.

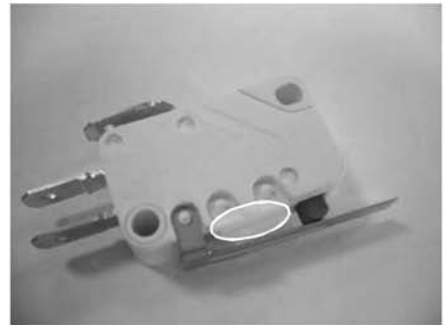


# ELECTRIC INSTALLATION TEST

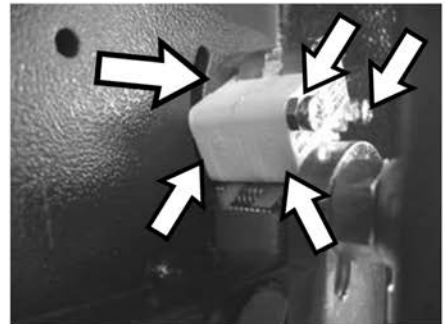
3. Check the functionality and connections of the brush enable microswitch, vacuum enable microswitch, and backward enable microswitch.



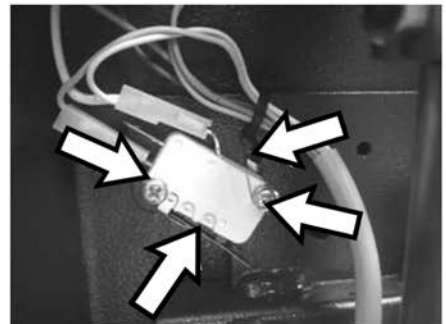
When the microswitch is activated, there should be 0.5 mm of clearance between the lever and the body of the switch. Check that the lever of the switch operates correctly. If it is necessary to adjust the switch, follow the directions below:



- 3.1. To adjust the vacuum enable switch and the backward enable switch:
- Loosen the two screws holding the switch in place
  - Move the microswitch up or down on the slot until it is in the correct position, allowing 0.5 mm of clearance between the lever of the switch and the body of the switch.
  - Tighten the screws to hold the microswitch in place.



- 3.2. Adjustment of brush enable microswitch:
- Loosen the two screws holding the switch in place
  - Move the microswitch up or down on the slot until it is in the correct position, allowing 0.5 mm of clearance between the lever of the switch and the body of the switch.
  - Tighten the screws to hold the microswitch in place.



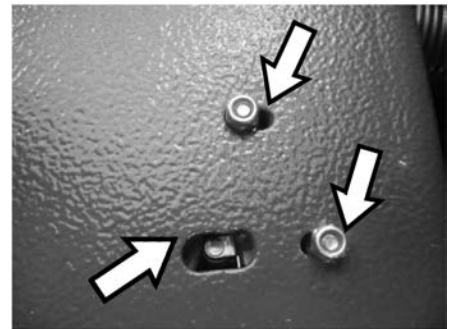
## ELECTRIC INSTALLATION TEST

4. Check the functionality and connection of the speed reduction microswitch placed near the steering gear of the front wheel.



When the microswitch is activated, there should be 0.5 mm of clearance between the lever and the body of the switch. Check that the lever of the switch operates correctly.

To access the adjustment screws, remove the foot rest plate. The two mounting bolts are on the right side of the switch.

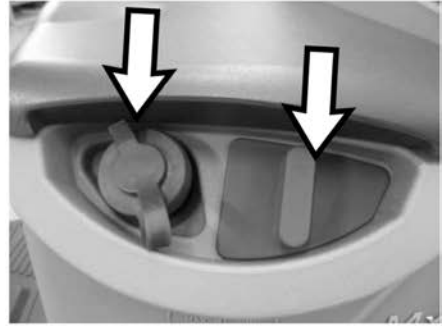


5. Check the function of the emergency stop button. When pressed, the machine should immediately shut down.

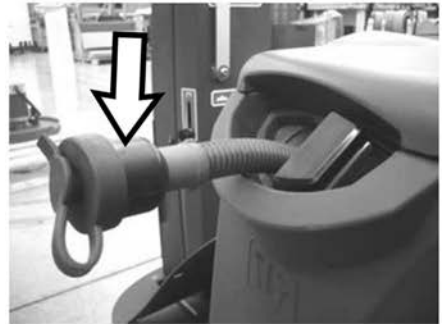


## PLUMBING INSTALLATION CHECKS

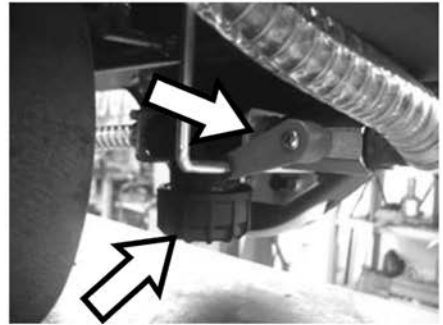
1. Check the cleanliness and functionality of the solution fill hose and the solution cap measuring cup.



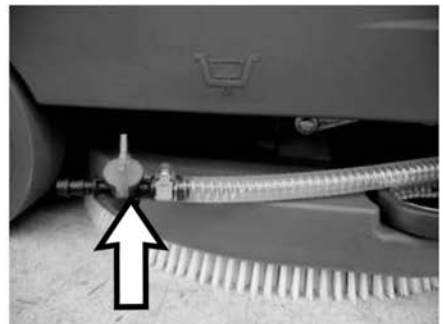
2. Check the cleanliness and seal of the solution filter.
3. Fill up the solution tank.



4. Check the hose connections for leaking, check the solenoid valve for proper operation, and check the solution flow control valve.
5. Verify that when the valve is open, solution will continuously flow on the floor.

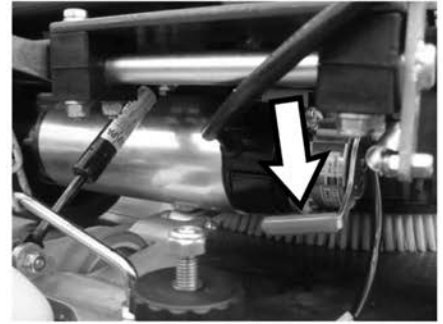


6. Check the solution drain hose valve, ensure that it can open and close properly.

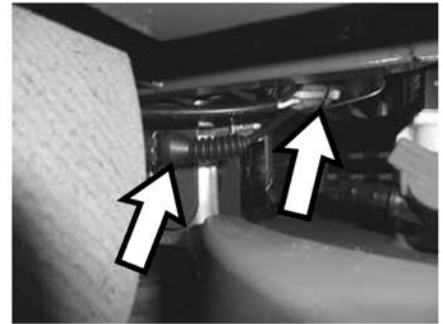
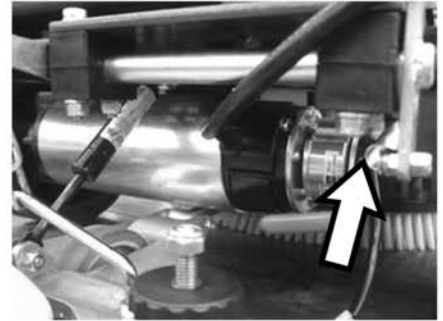


# TRACTION, STEERING, & BRAKE ADJUSTMENT

1. Check the functionality of the electronic brake
  - With the brake lever in a down position (electronic brake ON), the machine will not move when pushed or parked on an incline.
  - With the brake lever in an up position (electronic brake OFF), the machine will roll freely when pushed.



2. Check the functionality and connection to the traction motor and electronic brake.

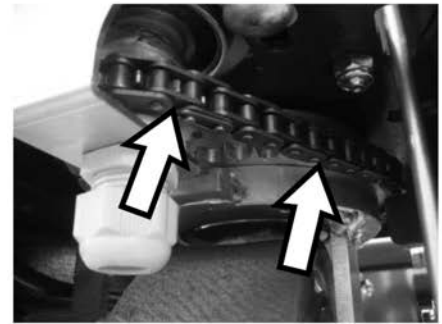
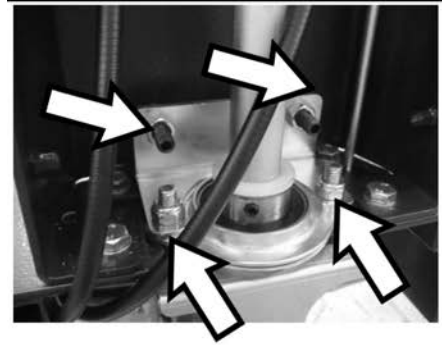


3. Use the following steps to adjust tension on the steering chain:
  - Remove the steering column cover



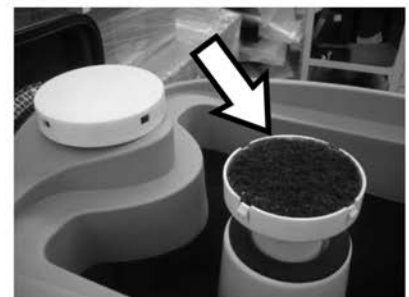
# TRACTION, STEERING, & BRAKE ADJUSTMENT / VACUUM ADJUSTMENT

- Loosen the nuts that hold the bearing plate to the frame.
- To adjust the tension, use the nuts and register dowels to move the bearing plate forward or backward.
- Once the chain has proper tension, tighten the nuts that hold the bearing plate to the frame.



## VACUUM ADJUSTMENTS

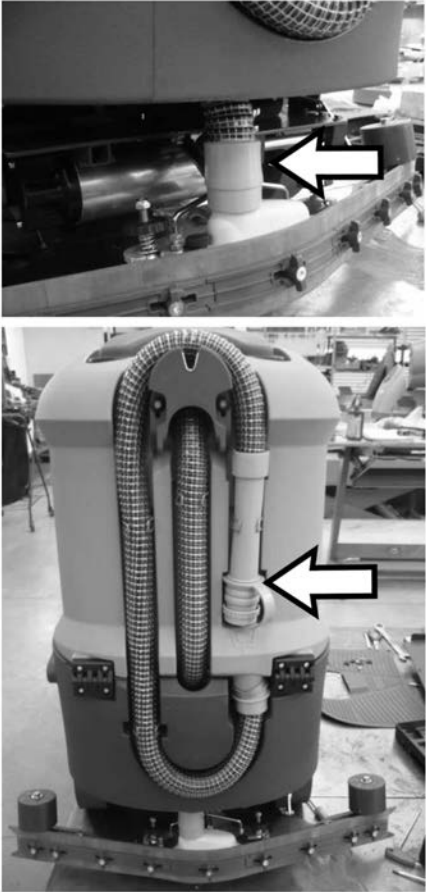
1. Check the cleanliness and function of the float shut off.
2. Remove the top cover of the shut off to check the cleanliness and correct position of the vacuum filter.
3. Check the seal between the recovery tank and recovery tank lid assembly.





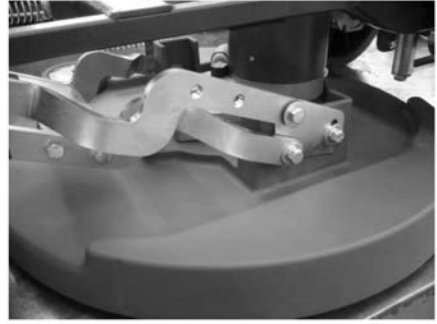
# VACUUM ADJUSTMENT

- 4. Check the connections of the vacuum hose to the recovery tank and the squeegee assembly.



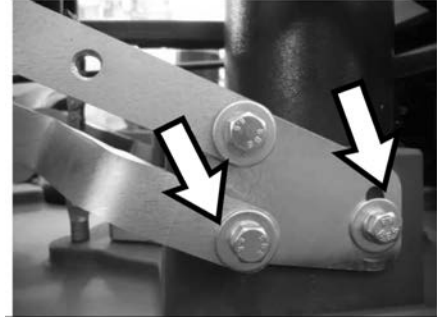
## BRUSH DECK ADJUSTMENT

1. The brush deck is on a floating support, it is only necessary to adjust the horizontal incline.



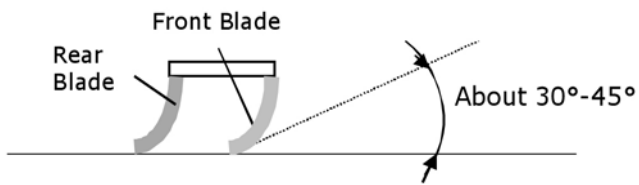
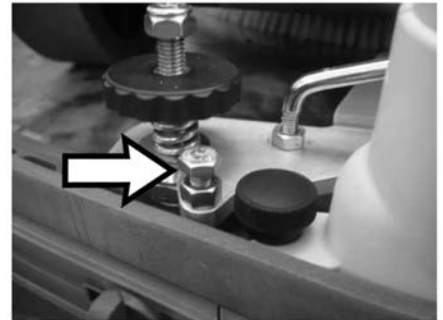
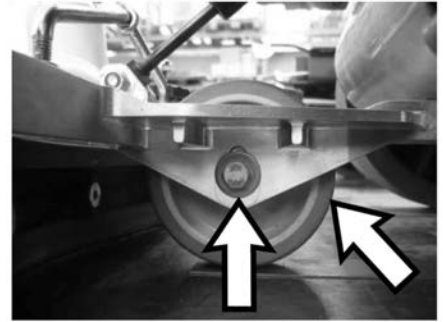
2. To adjust the horizontal incline:

- Loosen the bottom two bolts that connect the brush deck to the lift arm.
- Place a 5 mm spacer between the deck and floor at the front of the machine. The deck should be slightly higher in the front than in the rear. Tighten the two bolts holding the deck to the lift arm.



# SQUEEGEE ADJUSTMENT

1. Adjust the wheel height by loosening the bolt through the middle of the wheel and placing a 2 mm spacer between the wheel and the floor. This measurement should be taken with the squeegee lowered and the squeegee blades in a vertical position.
2. Tighten the bolt through the center of the wheel.
3. To adjust the pitch of the squeegee, use the adjustment bolt on the left side of the squeegee assembly. Turning the bolt clockwise will increase pressure in the middle of the squeegee and turning the bolt counterclockwise will increase pressure on the ends of the squeegee.
4. Check that the squeegee has an even incline across the entire length of the squeegee. The incline should be between 30 and 45 degrees as shown below.



# BETCO US WARRANTY POLICY

## 10 year coverage

Subject to the conditions stated below, Betco warrants parts and labor on rotationally molded polyethylene tanks/housings and injection molded vacuum head assemblies to be free from defects in materials and workmanship for a period of ten years to the original purchaser.

## 3 Year Coverage

Subject to the conditions stated below, Betco warrants parts and labor on all other Betco components to be free from defects in materials and workmanship for a period of three years to the original purchaser.

## 1 Year Coverage

Subject to the conditions stated below, Betco offers a limited warranty on parts and labor on the following equipment: parts and accessories to be free from defects in materials and workmanship for a period of one year to the original purchaser.

- HF14 Upright Vacuum: #E88820-00
- Bac Pac Lite Vacuum: #85903-00
- FiberPRO® Floor Dryer: #85507-00
- WORKMAN™ Series Vacuums: #85024-00, #85025-00, #83012-00, #85027-00
- CV100T Vacuum: #85023-00
- All Tools and Accessories
- All Battery Chargers
- All Batteries are pro-rated for 1 year

### **Allowable Travel Time Warranty Reimbursement:**

Eligible equipment: All battery and propane powered equipment products. Warranty period: 90 days from date of sale to the original purchaser. A maximum 180 mile round trip at 50 cents per mile will be allowed for warranty consideration.

### **Propane Machine Warranty:**

Kawasaki engines are warranted by Kawasaki for a period of 2 years against manufacturer defects. All other components (except wear items)\* are warranted by Betco for a period of 3 years.

**\*Wear Items exempt from Warranty consideration include but may not be limited to: power cords, transport wheels, vacuum bags, belts, squeegee blades, pad drivers, clutch plates, handle grips, filters, screens, throttle cables, brushes and carbon brushes.**

Subject to the conditions and exceptions stated in this warranty, Betco warrants the Betco products to be free from defects in material and workmanship, under normal use and service, for the periods listed under the warranty policy to the original purchaser. At any time during the warranty period, Betco will furnish replacement parts for the Betco parts to the original purchaser. Such parts will be furnished and charged including transportation costs, to the original owner through any Betco authorized Service Distributor. If the original part is returned within the warranty policy period from date of delivery for inspection by Betco and is found to be defective the owner will be credited for the cost of replacement parts plus shipping and handling. Replacement parts that have become defective through wear or abuse are not included in this warranty.

This warranty does not apply to damage or defect caused by accident, misuse, negligence, fire, or to any Betco product which has been serviced or repaired by other than an authorized Betco Service Distributor or Betco factory personnel. This warranty is void if products are used for any purpose other than that which was intended. There are no other warranties expressed or implied. In no event shall Betco be liable for incidental or consequential damages or any damage to person or property. (Please note some states do not allow the exclusion or limitations for incidental and consequential damages).

