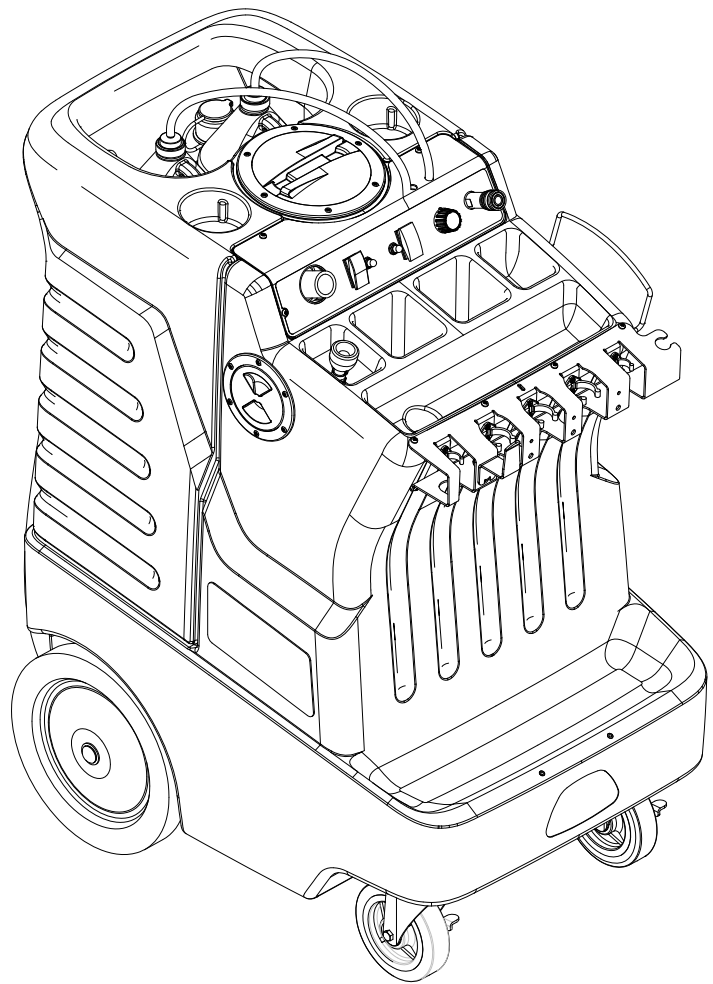




Multi-Functional Cleaning

MODEL: CMPS2
10070560

CMPS2E
10070570



Operating Instructions (ENG)



MACHINE DATA LOG/OVERVIEW

| | |
|-----------------------|-------|
| Model: | _____ |
| Date of Purchase: | _____ |
| Serial Number: | _____ |
| Sales Representative: | _____ |
| Address: | _____ |
| Phone Number: | _____ |

OVERVIEW

The Compass 2™ is a multi-functional cleaning machine intended for commercial use. The appliance applies chemical at low pressure and uses high pressure to clean with. Then the soiled water is vacuumed back into the recovery tank.

TABLE OF CONTENTS

| | |
|---------------------------------------|----------|
| <i>Machine Data Log/Overview.....</i> | <i>2</i> |
| <i>Table of Contents.....</i> | <i>3</i> |

HOW TO USE THIS MANUAL

| | |
|------------------------------------|------------|
| <i>How to use this Manual.....</i> | <i>1-1</i> |
|------------------------------------|------------|

SAFETY

| | |
|--|------------|
| <i>Important Safety Instructions</i> | <i>2-1</i> |
| <i>Hazard Intensity Level.</i> | <i>2-2</i> |
| <i>Grounding Instructions.....</i> | <i>2-3</i> |
| <i>Safety Label Location.</i> | <i>2-4</i> |

OPERATIONS

| | |
|---------------------------------------|------------|
| <i>Technical Specifications.</i> | <i>3-1</i> |
| <i>How the Machine Works.....</i> | <i>3-2</i> |
| <i>Components.....</i> | <i>3-3</i> |
| <i>Controls.....</i> | <i>3-4</i> |
| <i>Machine Operation.....</i> | <i>3-6</i> |
| <i>Chemicals</i> | <i>3-8</i> |

MAINTENANCE

| | |
|---|------------|
| <i>Maintenance.</i> | <i>4-1</i> |
| <i>Float Shut-Off.....</i> | <i>4-2</i> |
| <i>Strainer.....</i> | <i>4-2</i> |
| <i>Circuit Breakers.....</i> | <i>4-2</i> |
| <i>Vacuum Motor Replacement.....</i> | <i>4-3</i> |
| <i>Solution Pump Replacement.....</i> | <i>4-4</i> |
| <i>Regulating Unloader.....</i> | <i>4-4</i> |
| <i>Periodic/Daily Maintenance</i> | <i>4-5</i> |
| <i>Service Schedule.....</i> | <i>4-5</i> |
| <i>Machine Troubleshooting.....</i> | <i>4-6</i> |
| <i>Notes.....</i> | <i>4-7</i> |

GROUP PARTS LIST

| | |
|---|-------------|
| <i>Control Panel.....</i> | <i>5-1</i> |
| <i>Decal.....</i> | <i>5-3</i> |
| <i>Solution Tank.....</i> | <i>5-5</i> |
| <i>Solution-Injector Assembly</i> | <i>5-7</i> |
| <i>Solution-Pump</i> | <i>5-9</i> |
| <i>Recovery Tank.....</i> | <i>5-13</i> |
| <i>Vacuum.....</i> | <i>5-15</i> |
| <i>Wheels & Frame</i> | <i>5-17</i> |
| <i>Tools – Standard</i> | <i>5-19</i> |
| <i>Wiring – Schematic (120V).....</i> | <i>5-21</i> |
| <i>Wiring – Schematic (230V).....</i> | <i>5-23</i> |
| <i>Suggested Spare Parts.....</i> | <i>5-23</i> |

OPTIONS

| | |
|--------------------------------|-------------|
| <i>Vacuum Hose Rack.....</i> | <i>6-1</i> |
| <i>Grout Cleaner</i> | <i>6-3</i> |
| <i>High Pressure Wand.....</i> | <i>6-5</i> |
| <i>Carpet Tool.....</i> | <i>6-7</i> |
| <i>Storage Bag.....</i> | <i>6-9</i> |
| <i>Chemical Lock</i> | <i>6-11</i> |
| <i>Serial Numbers</i> | <i>6-13</i> |
| <i>Warranty</i> | |

HOW TO USE THIS MANUAL

This manual contains the following sections:

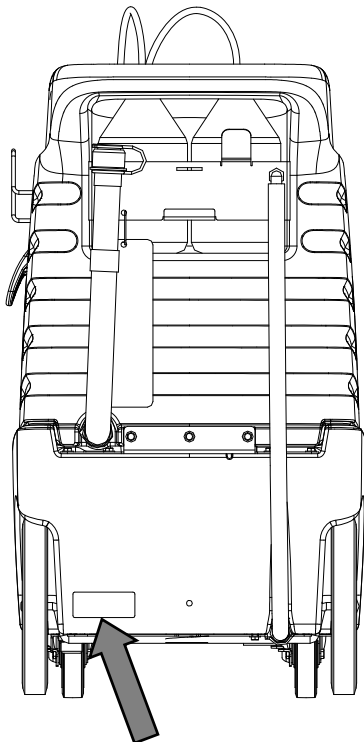
- HOW TO USE THIS MANUAL
- SAFETY
- OPERATIONS
- MAINTENANCE
- PARTS LIST

The HOW TO USE THIS MANUAL section will tell you how to find important information for ordering correct repair parts.

Parts may be ordered from authorized Windsor dealers. When placing an order for parts, the machine model and machine serial number are important. Refer to the MACHINE DATA box which is filled out during the installation of your machine. The MACHINE DATA box is located on the inside of the front cover of this manual.

| |
|------------------------------|
| MODEL _____ |
| DATE OF PURCHASE _____ |
| SERIAL NUMBER _____ |
| SALES REPRESENTATIVE # _____ |

The model and serial number of your machine is on the bottom back-end of the machine.



The SAFETY section contains important information regarding hazard or unsafe practices of the machine. Levels of hazards is identified that could result in product or personal injury, or severe injury resulting in death.

The OPERATIONS section is to familiarize the operator with the operation and function of the machine.

The MAINTENANCE section contains preventive maintenance to keep the machine and its components in good working condition. They are listed in this general order:

- Vacuum Motor
- Solution Pump
- Daily Maintenance
- Periodic Maintenance
- Service Schedule
- Machine Troubleshooting

The PARTS LIST section contains assembled parts illustrations and corresponding parts list. The parts lists include a number of columns of information:

- **REF** – column refers to the reference number on the parts illustration.
- **PART NO.** – column lists the part number for the part.
- **PRV NO.** - reference number.
- **QTY** – column lists the quantity of the part used in that area of the machine.
- **DESCRIPTION** – column is a brief description of the part.
- **SERIAL NO. FROM** – If this column has an (*) and a Reference number, see the SERIAL NUMBERS page in the back of your manual. If column has two asterisk (**), call manufacturer for serial number. The serial number indicates the first machine the part number is applicable to. The main illustration shows the most current design of the machine. When a boxed illustration is shown, it displays the older design.
- **NOTES** – column for information not noted by the other columns.

NOTE: If a service or option kit is installed on your machine, be sure to keep the **KIT INSTRUCTIONS** which came with the kit. It contains replacement parts numbers needed for ordering future parts.

IMPORTANT SAFETY INSTRUCTIONS

When using an electrical appliance, basic precaution must always be followed, including the following:

READ ALL INSTRUCTIONS BEFORE USING THIS MACHINE.

This machine is for commercial use.

⚠ WARNING: To reduce the risk of fire, electric shock, or injury:

Connect to a **properly grounded outlet**. See Grounding Instructions.

Do not leave the machine unattended. Unplug machine from outlet when not in use and before maintenance or service.

Do not allow machine to be used as a toy. **Close attention** is necessary when used by or near children.

Do not point spray gun at people.

Use only as described in this manual. Use only manufacturer's recommended components and attachments.

Do not use damaged electrical cord or plug. Follow all instructions in this manual concerning grounding the machine. If the machine is **not working properly**, has been dropped, damaged, left outdoors, or dropped into water, return it to an authorized service center.

Do not pull or carry machine by electrical cord, use as a handle, close a door on cord, or pull cord around sharp edges or corners.

Do not run machine over cord. **Keep** cord away from heated surfaces.

Do not unplug machine by pulling on cord. To unplug, grasp the electrical plug, not the electrical cord.

Do not handle the electrical plug or machine with wet hands.

Do not operate the machine with any openings blocked. Keep openings free of debris that may reduce airflow.

Do not vacuum anything that is burning or smoking, such as cigarettes, matches, or hot ashes.

This machine is not suitable for picking up health endangering dust.

Turn off all controls before unplugging.

Machine can cause a fire when operating near flammable vapors or materials. Do not operate this machine near flammable fluids, dust or vapors.

This machine is suitable for commercial use, for example in hotels, schools, hospitals, factories, shops and offices for more than normal housekeeping purposes.

Maintenance and repairs must be done by qualified personnel.

If foam or liquid comes out of machine, switch off immediately.

SAVE THESE INSTRUCTIONS

HAZARD INTENSITY LEVEL

The following symbols are used throughout this guide as indicated in their descriptions:

HAZARD INTENSITY LEVEL

There are three levels of hazard intensity identified by signal words -**WARNING** and **CAUTION** and **FOR SAFETY**. The level of hazard intensity is determined by the following definitions:

⚠ WARNING:

WARNING - Hazards or unsafe practices which COULD result in severe personal injury or death.

⚠ CAUTION:

CAUTION - Hazards or unsafe practices which could result in minor personal injury or product or property damage.

FOR SAFETY: To Identify actions which must be followed for safe operation of equipment.

Report machine damage or faulty operation immediately. Do not use the machine if it is not in proper operating condition. Following is information that signals some potentially dangerous conditions to the operator or the equipment. Read this information carefully. Know when these conditions can exist. Locate all safety devices on the machine. Please take the necessary steps to train the machine operating personnel.

FOR SAFETY:

DO NOT OPERATE MACHINE:

Unless Trained and Authorized.

Unless Operation Guide is Read and understood.

In Flammable or Explosive areas.

In areas with possible falling objects.

WHEN SERVICING MACHINE:

Avoid moving parts. Do not wear loose clothing; jackets, shirts, or sleeves when working on the machine. Use Windsor approved replacement parts.

GROUNDING INSTRUCTIONS

THIS PRODUCT IS FOR COMMERCIAL USE ONLY.

ELECTRICAL:

The amp, hertz, and voltage are listed on the data label found on each machine. Using voltages above or below those indicated on the data label will cause serious damage to the motors.

EXTENSION CORDS:

If an extension cord is used, the wire size must be at least one size larger than the power cord on the machine, and must be limited to 50 feet (15.5m) in length.

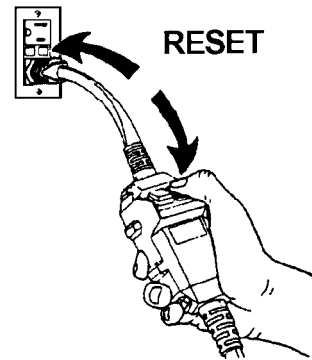
GROUNDING INSTRUCTIONS:

This appliance must be grounded. If it should malfunction or break down, grounding provides a path of least resistance for electric current to reduce the risk of electric shock. This appliance is equipped with a cord having an equipment-grounding conductor and grounding plug. The plug must be inserted into an appropriate outlet that is properly installed and grounded in accordance with all local codes and ordinances.

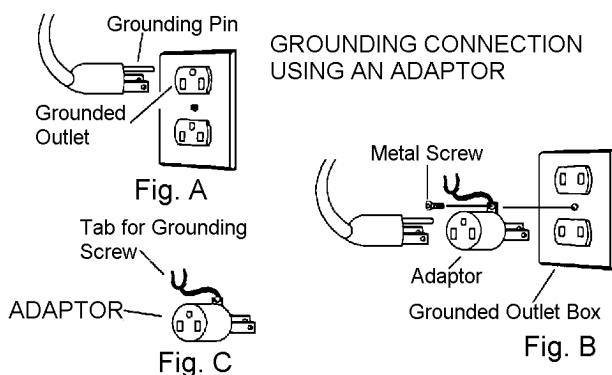
Improper connection of the equipment-grounding conductor can result in a risk of electric shock. Check with a qualified electrician or service person if you are in doubt as to whether the outlet is properly grounded. Do not modify the plug provided with the appliance - if it will not fit the outlet, have a proper outlet installed by a qualified electrician.

GROUND-FAULT CIRCUIT-INTERRUPTER PROTECTION (120V ONLY)

This pressure washer is provided with a (GFCI) built into the plug of the power supply cord. This device provides additional protection from the risk of electric shock. Should replacement of the plug or cord become necessary, use only identical replacement parts that include GFCI protection. If the GFCI is not the AUTOMATIC RESET TYPE, it must be manually TESTED and RESET each time the cleaning system is plugged in. Press firmly to assure internal spring activates switch. Push "test" then push "reset". Motor will not start if GFCI does not reset. Check circuit breakers or outlet. If circuit breaker is not tripped and unit will not reset, contact local service center.



GROUNDING INSTRUCTIONS (120V ONLY)

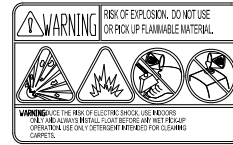


Note: Adaptors are not allowed in Canada.

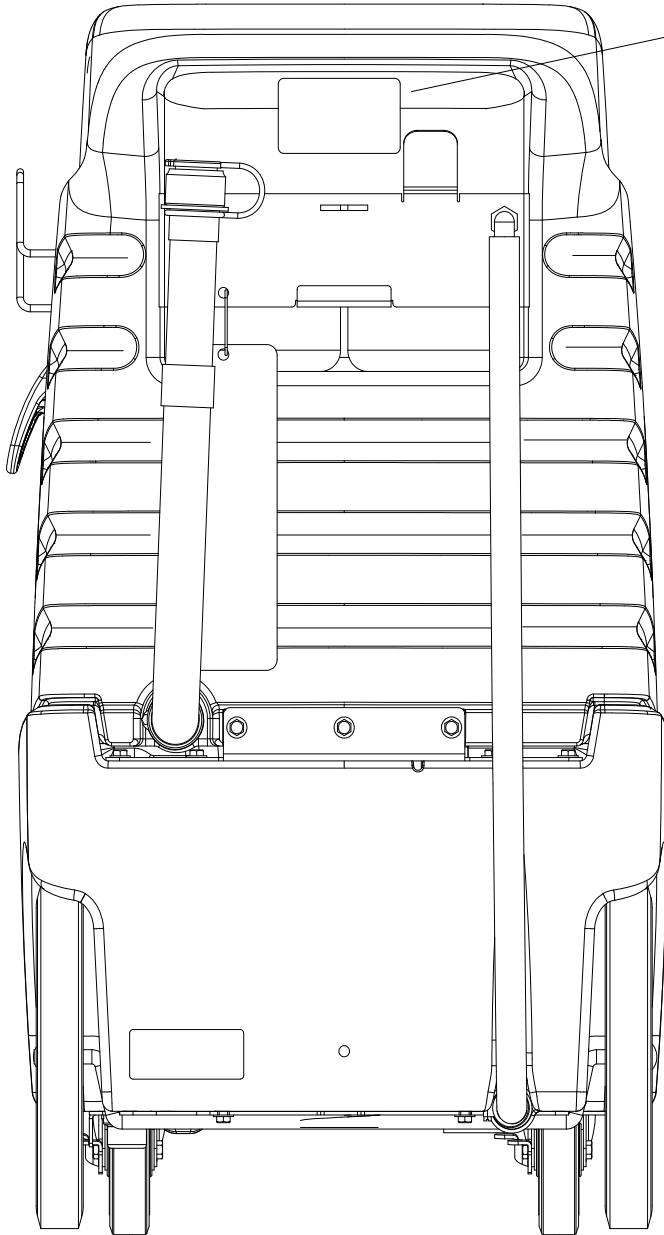
SAFETY LABEL LOCATION

The following WARNING LABEL(S) are found on your cleaning unit. These labels point out important Warnings and Cautions which should be followed at all times. Failure to follow warnings and cautions could result in fatality, personal injury to yourself and/or others, or property damage. Follow these instructions carefully! DO NOT remove these labels.

NOTE: If at any time the labels become illegible, promptly replace them.



WARNING LABEL 86242230
PRV NO. 500009



TECHNICAL SPECIFICATIONS

| ITEM | DIMENSION/CAPACITY |
|-----------------------|---|
| Electrical | 120V, 14A, 60HZ |
| | 230V, 7A, 50HZ |
| Electric Pump Motor | 1/2hp, 1750rpm |
| Solution Pump | 700psi (48 bars), Axial plunger |
| Electric Vacuum Motor | 2stage, 1.25hp (2.80m ³ /min.) |
| Waterlift | 82 in. (208 cm) |
| Solution Capacity | 29 gallons (111L) |
| Recovery Capacity | 19 gallons (70L) |
| Wheels | |
| - Front (2) | 6 in. dia. (15.24cm) X 1.5 |
| - Rear (2) | 12 in. dia. (30.48cm)X 1.75 |
| Dimensions – Weight | 205 lb. (93kg) |
| Dimensions – Length | 36 in. (91.4cm) |
| Dimensions - Height | 43 in. (109.2cm) |
| Dimensions - Width | 24.75 in. (62.87cm) |
| Power Cable | 50 ft. (127m) 14 gauge |

SPECIAL NOTES:

The sound pressure level at 1m from the machine was measured to be 79 dBA. This was a nearfield, broadband measurement taken in a typical industrial environment on a tile floor. This appliance contains no possible source of impact noise. The instantaneous sound pressure is below 63 Pa.

The weighted root mean square acceleration at the operator's arms was measured to be below 2.5m/s². This was a tri-axial, third-octave-band measurement made during normal operation on a composite tile floor. The measurement and related calculations were made in accordance with ISO 5349-1.

HOW THE MACHINE WORKS

The Compass 2™ is a multi-functional cleaning machine intended for commercial use. The appliance applies chemical at low pressure and uses high pressure to clean with. Then the soiled water is vacuumed back into the recovery tank.

The machine's primary systems are the clean water system, recovery system, chemical system and pressure washer system.

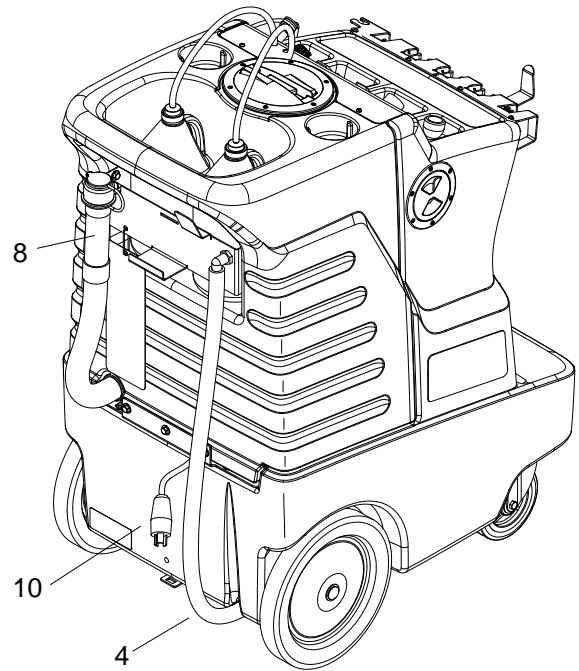
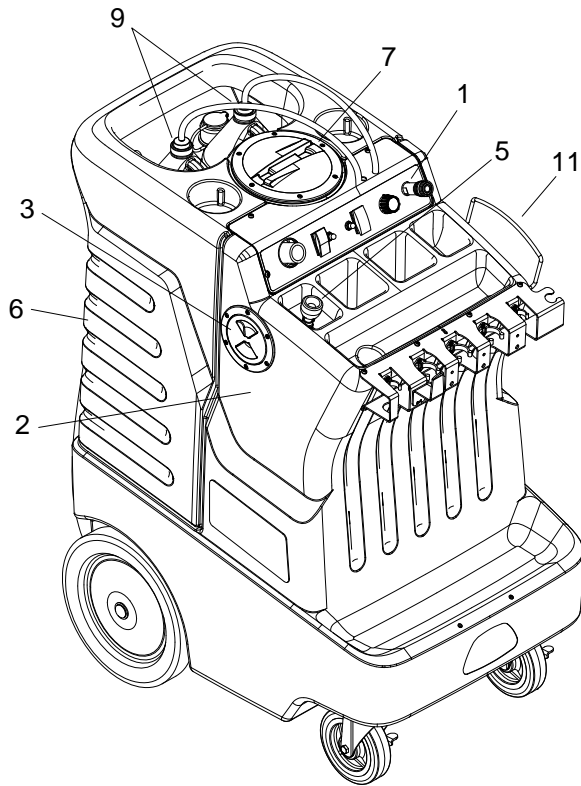
The function of the clean water system is to store clean water and deliver it to the available tools. The clean water system consists of the clean water tank and strainer. The clean water tank stores water until it is delivered to the tools. The strainer protects the pump from debris.

The function of the recovery system is to vacuum the soiled water back into the recovery tank. The recovery system consists of the wand and wheeled squeegee, vacuum motor, float shut-off and recovery tank. The wand and wheeled squeegee wipes the dirty solution off the floor. The vacuum motor provides suction to draw the dirty solution off the floor and into the recovery tank. The float shut-off protects the vacuum fan from over filling. The recovery tank stores the dirty solution.

The function of the chemical system is to dispense chemical into the clean water system. The chemical system consists of the chemical reservoir, chemical cap and a chemical-metering selector. The chemical reservoir stores and dispenses chemical into the clean water system. The chemical-metering selector meters the amount of chemical and selects between chemical A or B and turn chemical off.

The function of pressure washer system is to clean fixtures and other surfaces. The pressure washer system consists of a pump, high-pressure hose and spray gun. The pump delivers cleaning solution to the tools. The high-pressure hose connects the pump to the spray gun.

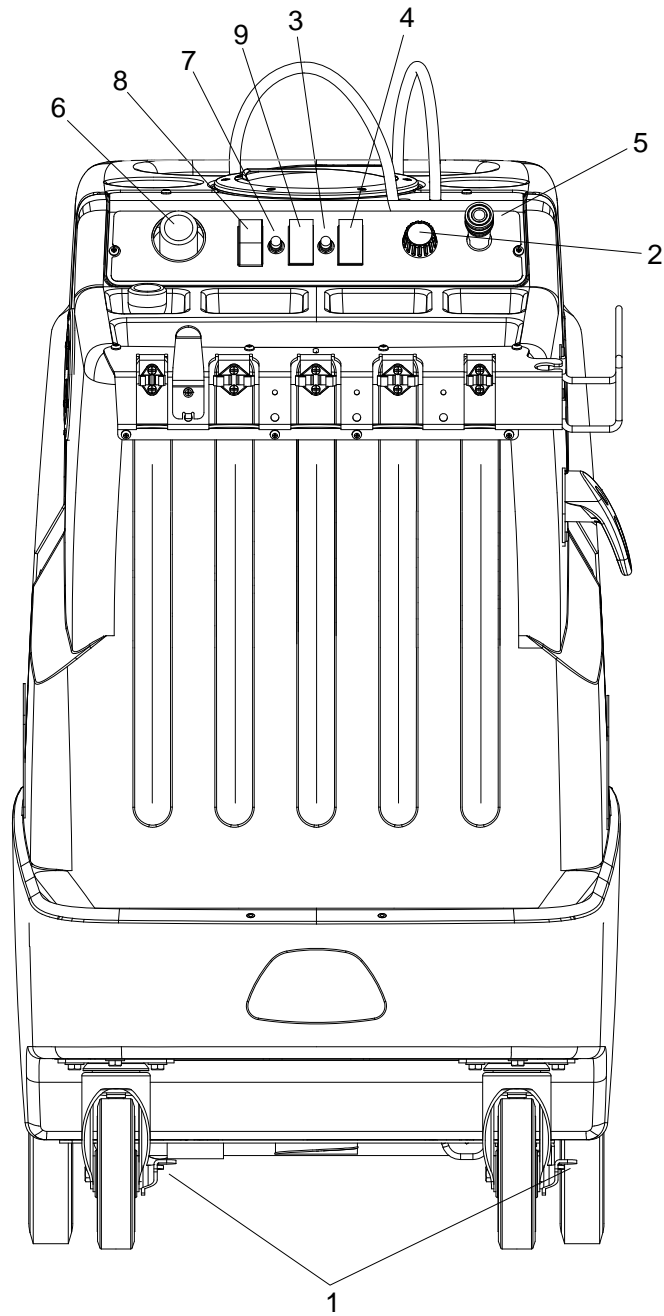
COMPONENTS



1. Control Panel
2. Solution Tank
3. Solution Tank Lid
4. Solution Tank Drain Hose
5. Solution Tank Fill Hose
6. Recovery Tank

7. Recovery Tank Lid
8. Recovery Tank Drain Hose
9. Chemical Siphon Caps
10. Electrical Cord
11. High Pressure Hose Storage

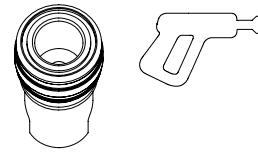
CONTROLS



-
- | | |
|---|------------------------------------|
| 1. Caster Lock | 5. Solution Accessory Tool Hook-Up |
| 2. Chemical Selector and Metering Valve | 6. Vacuum Accessory Tool Hook-Up |
| 3. Pump Circuit Breaker | 7. Vacuum Circuit Breaker |
| 4. Pump Switch/Pump Chemical Switch | 8. Vacuum Switch |
| | 9. Main Switch (230V only) |

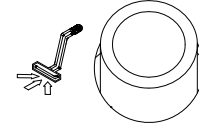
1. SOLUTION ACCESSORY TOOL HOOK-UP

Used for various auxiliary-cleaning tools.



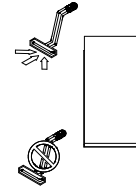
2. VACUUM ACCESSORY TOOL HOOK-UP

To use accessory tool, remove hose from vac shoe and attach to accessory tool adaptor.



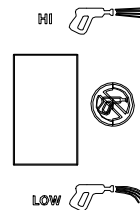
3. VACUUM SWITCH

Turns the vacuum motor On and Off.



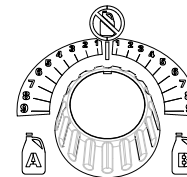
4. PUMP SWITCH

High pressure no chemical, low pressure with chemical.



5. CHEMICAL SELECTOR AND METERING VALVE

Meters the **amount** of chemical being dispensed and selects between chemical A or B and turns chemical off.

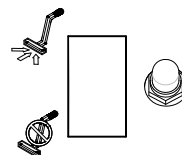


6. CASTER LOCK

Locks the wheels in place to keep the machine from moving.

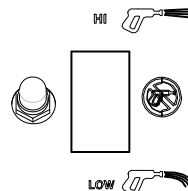
7. VACUUM CIRCUIT BREAKER

10 Amp. Protects the vacuum motor.



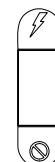
8. PUMP CIRCUIT BREAKER

8 Amp. Protects the pump motor.



9. MAIN SWITCH

Power on and off switch 230V (ONLY).



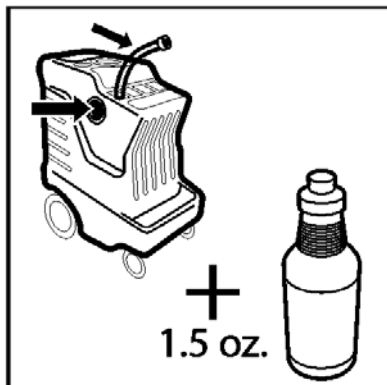
OPERATIONS

FILLING THE MACHINE

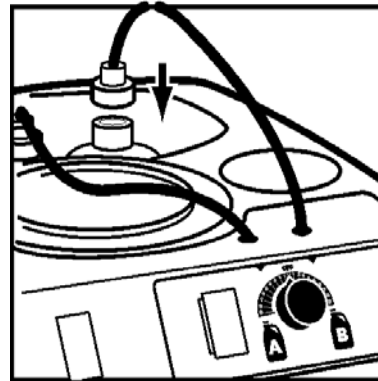
NOTE: Do not put defoamer, solvents spotter or prespray chemicals in the solution tank.



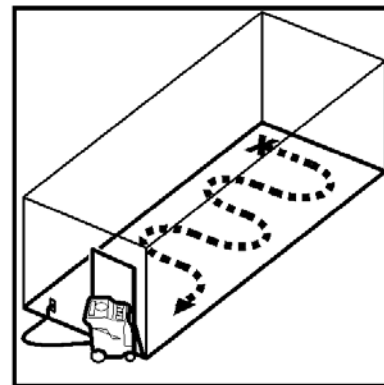
1. Always use gloves and eye protection. Never spray solution towards people.



2. To fill Use fill hose or pour directly into solution tank. Use COLD WATER. Add 1 ½ oz of **CompassRinse**™ to each full solution tank.

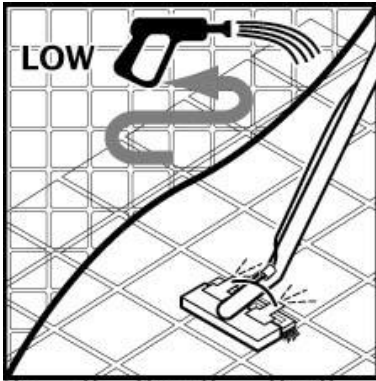


3. Attach the adapter cap and intake hose to the **Compass 2**™ Chemical bottle. Refer to the **Compass 2**™ Chemical Label for the desired dilution.

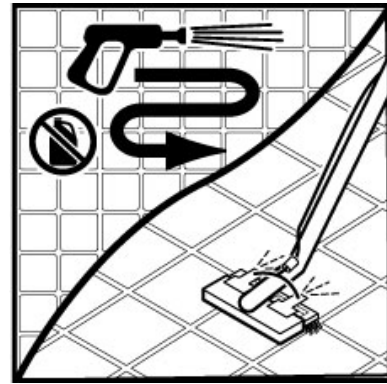


4. Position the **Compass 2**™ machine in the door way, lock front casters. Start at furthest point in the room and work towards the door.

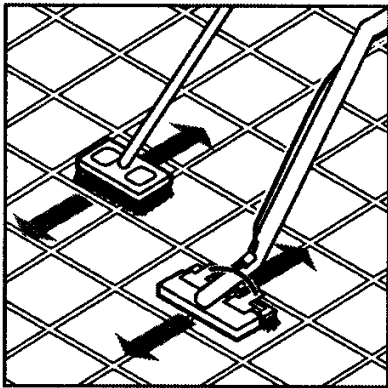
OPERATIONS



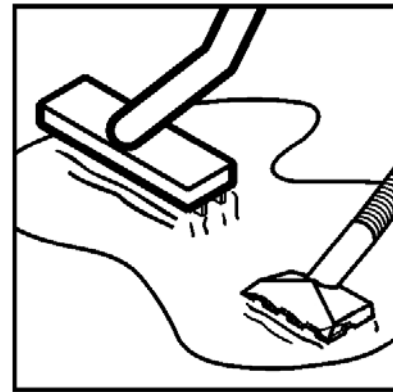
5. Always Spray chemical using low pressure.



7. Turn Chemical off. Pressure clean by rinsing surfaces at high pressure.

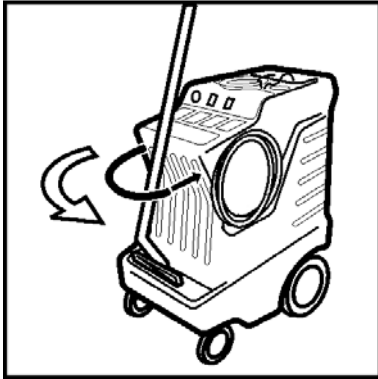


6. Use brush or grout tool for heavy soiled areas.

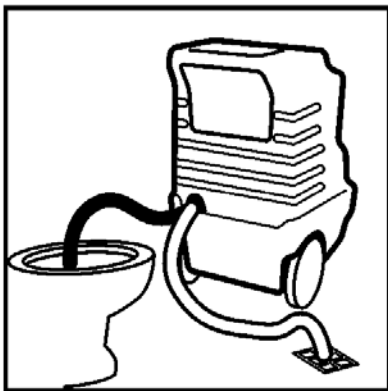


8. Use Squeegee or Gulper tool to remove standing water.

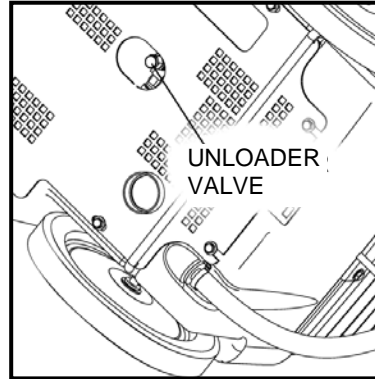
OPERATIONS



9. Store and secure hoses and tools neatly.



10. Drain machine at proper disposal areas. Use pressure gun to rinse and clean recovery tank.



11. From the factory your Compass 2 is set to spray at 600 psi (high pressure) and 200 psi (low pressure w/chemical injection). To lower pressure turn the unloader valve knob counter clockwise. The valve is accessed from below the machine through a hole in the bottom frame. Only turn the valve a maximum of three revolutions.
Note: Lowering the pressure in this way will reduce both of the high pressure and low pressure setting simultaneously.

⚠ WARNING:

Care must be exercised in the use of all chemicals. Chemicals are poisonous and can pose a health risk. Read and follow manufacturers instructions regarding dangers and correct usages.

⚠ CAUTION:

The internal parts of the pump used in the machine are suitable for use with most carpet cleaning chemicals. But they are susceptible to chemical attack from some cleaning substances, such as hydrocarbon solvents and chlorinated bleaches. These non-compatible materials are not of the type used for carpet cleaning.

CHEMICALS

| | |
|---------------------------|-----------------------|
| <u>Suitable Chemicals</u> | <u>Non-Compatible</u> |
|---------------------------|-----------------------|

| | |
|-------------------|----------------------------------|
| <i>Alkalis</i> | <i>Aldehydes</i> |
| <i>Detergents</i> | <i>Aromatics Hydrocarbons</i> |
| <i>Hydroxides</i> | <i>SP Butyls</i> |
| <i>Soaps</i> | <i>Carbon Tetrachloride</i> |
| <i>Vinegar</i> | <i>Clorox*</i> |
| | <i>Chlorinated Bleaches</i> |
| | <i>Chlorinated Hydrocarbons</i> |
| | <i>Lysol*</i> |
| | <i>Methyl Ethel Ketone (MEK)</i> |
| | <i>Perchorethylene (perc)</i> |
| | <i>Phenolics</i> |
| | <i>Trichlorethylene</i> |
| | <i>D-Limonene</i> |

Only use chemicals approved for use with this machine. Use of non-compatible chemicals may cause machine damage and will not be covered under the warranty. Carefully read ingredients on manufacturer's label before using any product in this machine.

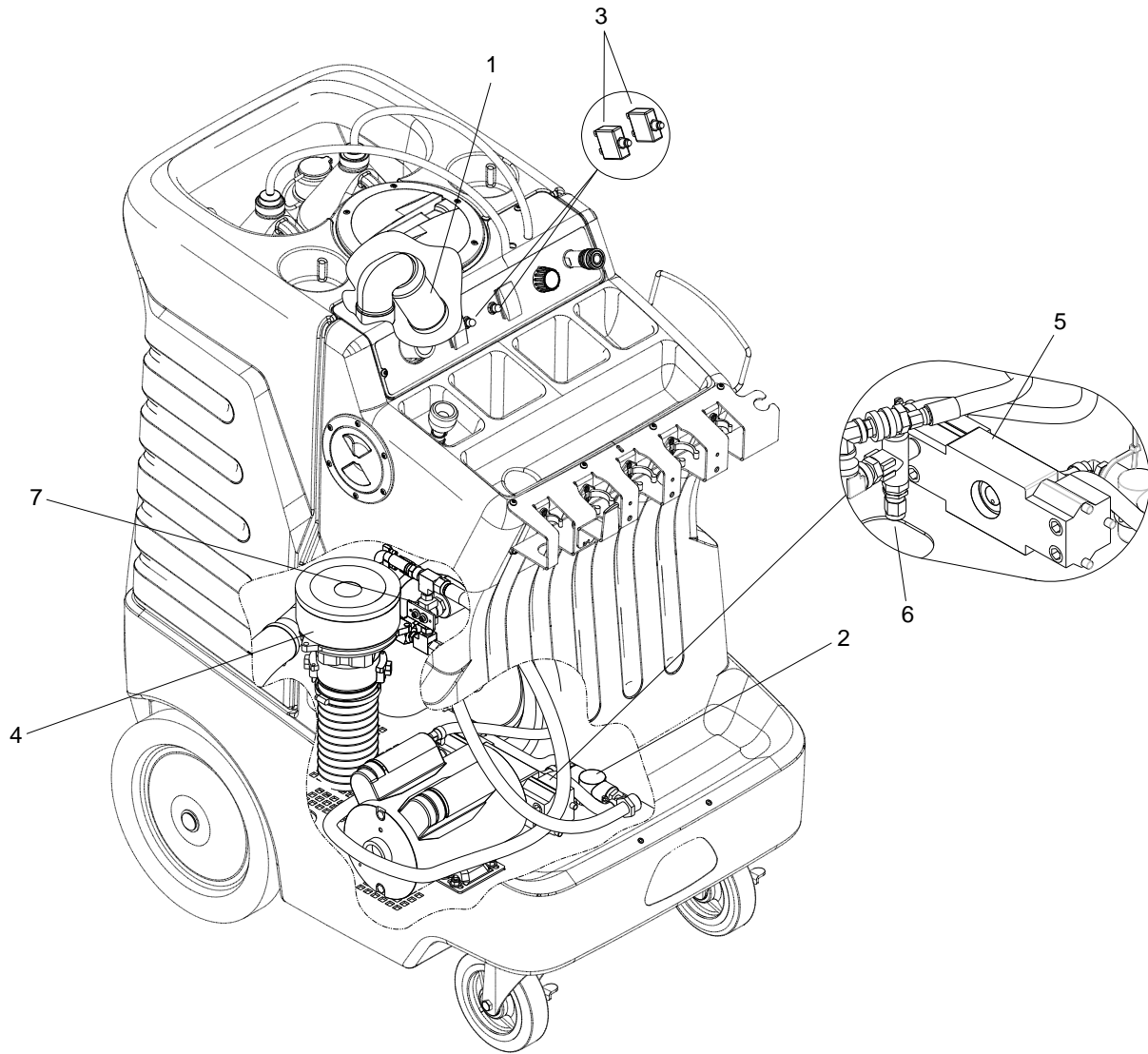
⚠ WARNING:

Do not let pump run dry.

⚠ WARNING:

Do not let pump run unattended.

NOTES:



- 1. Float Shut-Off
- 2. Strainer
- 3. Circuit Breakers
- 4. Vacuum Motor

- 5. Pump
- 6. Adjustable Unloader Valve
- 7. Injector Assembly & Coil

MAINTENANCE

1. FLOAT SHUT-OFF

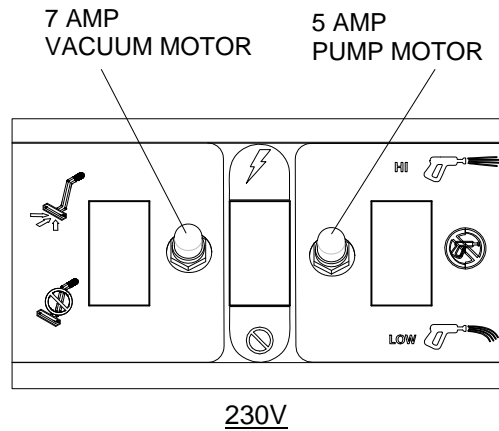
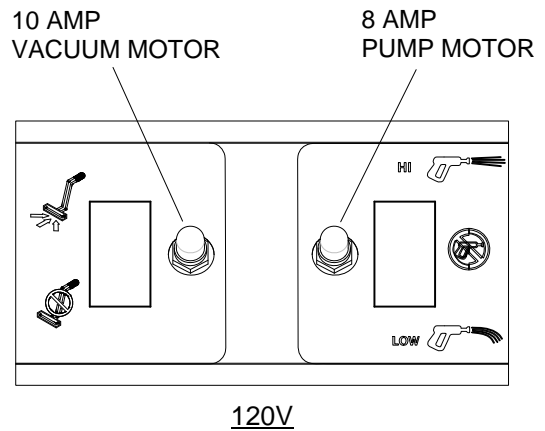
The float shut-off is located inside the recovery tank. The purpose of the float shut-off is to notify the user that the recovery tank is full. Remove daily and clean any debris for maximum airflow.

2. STRAINER

The strainer is located on the left side between the front and rear wheels. The strainer protects the pump from debris. If there is little or no solution flow to the ground, check the strainer for debris. Drain the solution tank and clean the solution strainer. To remove the strainer, turn the bottom part of the strainer counterclockwise until the bottom is separated. Clean out the debris from the wire mesh and reassemble. Make sure the o-ring gasket is in place when reassembled.

3. CIRCUIT BREAKERS

Circuit breakers interrupt the flow of power in the event of an electrical overload. When a circuit breaker is tripped, reset it by pressing the exposed button. If a circuit breaker continues to trip, the cause of the electrical overload should be found and corrected.



4. VACUUM MOTOR

(Refer to vacuum group in the parts section of manual).

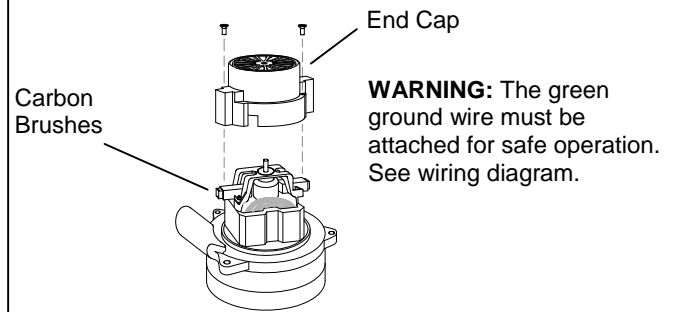
⚠ WARNING:

ONLY QUALIFIED MAINTENANCE PERSONNEL ARE TO PERFORM THE FOLLOWING REPAIRS.

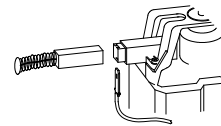
VACUUM MOTOR REPLACEMENT

1. Turn off all switches and unplug machine.
2. Remove recovery tank.
3. Remove the 5 screws holding the vacuum motor cover to the solution tank.
4. Locate the vacuum motor wires and disconnect at the connector.
5. Remove the vacuum motor.
6. Reverse process to install.

Vacuum Motor Carbon Brushes Replacement (Windsor)

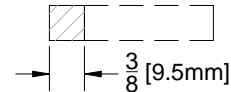


If armature commutator is grooved, extremely pitted or not concentric, the motor will need to be replaced or sent to a qualified service center.



Important:

These brushes wear quicker as the length shortens due to increased heat. Spring inside brush housing will damage motor if brushes are allowed to wear away completely.



Periodically check the length of the carbon brushes. Replace both carbon brushes when either is less than 3/8" (9.5mm) long.

MAINTENANCE

5. PUMP

⚠ WARNING:

ONLY QUALIFIED MAINTENANCE PERSONNEL ARE TO PERFORM THE FOLLOWING REPAIRS.

SOLUTION PUMP REPLACEMENT

1. Turn off all switches and unplug machine.
2. Tilt machine back so bottom is exposed.
3. Remove the 6 screws that fasten the frame to the solution tank.
4. Remove the solution hoses from the fittings on the pump.
5. Reverse process to install.

6. REGULATING UNLOADER

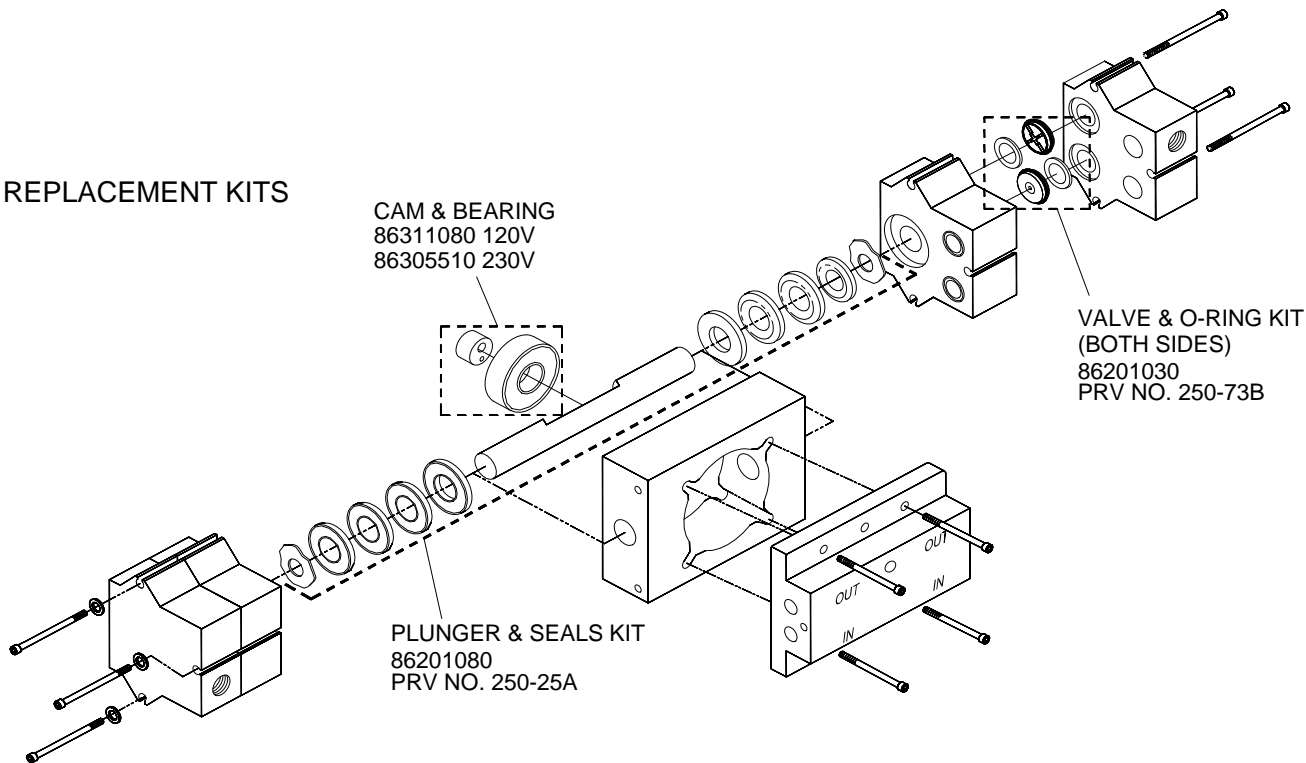
⚠ WARNING:

ONLY QUALIFIED MAINTENANCE PERSONNEL ARE TO PERFORM THE FOLLOWING REPAIRS.

UNLOADER REPLACEMENT

1. Turn off all switches and unplug machine.
2. Tilt machine back so bottom is exposed.
3. Remove the 6 screws that fasten the frame to the solution tank.
4. Remove the solution hoses from the fittings on the pump.
5. Remove the unloader.
6. Reverse process to install.

PUMP REPLACEMENT KITS



MAINTENANCE

PERIODIC MAINTENANCE

Twice a month, flush a white vinegar solution (one quart vinegar to two gallons of water) or anti-browning solution (mixed as directed) through the machine. This will prevent build-up of alkaline residue in the system. If spray jets become clogged, remove the spray tips, wash them thoroughly, and blow dry.

NOTE: Do not use pins, wires, etc. to clean nozzles as this could destroy the spray pattern.

Periodically inspect all hoses, electrical cables and connections on your machine. Frayed or cracked hoses should be repaired or replaced to eliminate vacuum or solution pressure loss. The electrical cable must be well insulated and cable connector screw kept tight. If the cable insulation is broken or frayed, repair or replace immediately. Don't take chances with electrical fire or shock.

DAILY/REGULAR MAINTENANCE

Before making any adjustments to the machine, disconnect the power cord from the electrical source.

1. Empty unused cleaning solution from the solution tank.
2. Inspect and clean filter screen in solution tank.
3. Flush pumping system with 4 to 7 liters of clean water.
4. After each use, rinse tank with fresh water. Periodically inspect the recovery tank and decontaminate if necessary, using a Hospital Grade Virucide or a 10-1 bleach to water solution. Waste water should be disposed of properly.
5. Remove filter to clean. Filters used for wet pickup including striper must be thoroughly cleaned before being allowed to dry.
6. Check spray jets for full spray pattern.

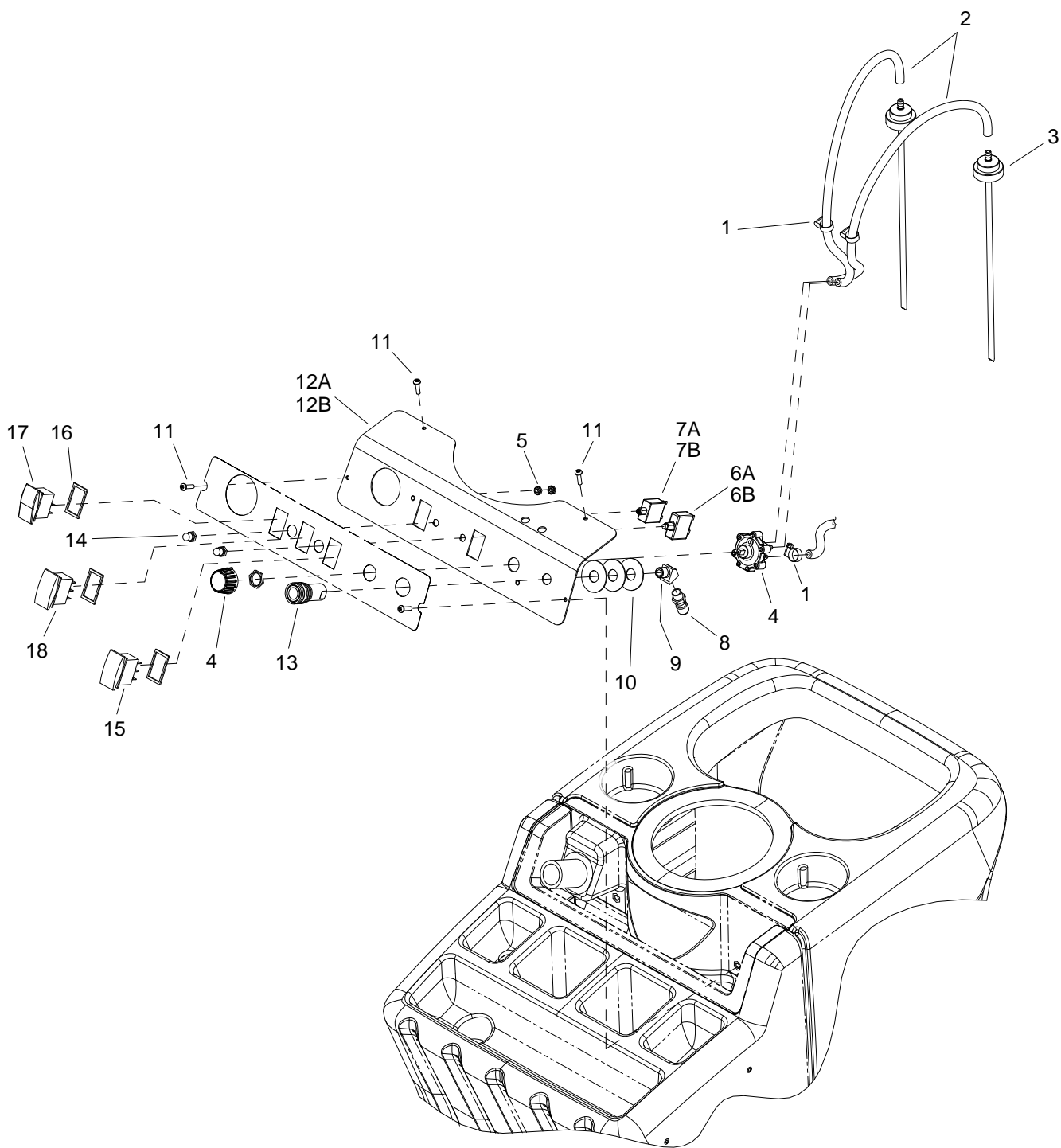
| SERVICE SCHEDULE | DAILY | WEEKLY | QUARTERLY |
|--|-------|--------|-----------|
| Check machine for cord damage | * | | |
| Check recovery dome and gasket for damage and cleanliness | * | | |
| Check hoses for wear, blockages, or damage | * | | |
| Check handles, switches, and knobs for damage | * | | |
| Check vac motor intake filter and clean | * | | |
| Run one gallon of water through system | * | | |
| Clean out recovery tank and check float valve to make sure it moves freely | * | | |
| Clean out solution tank and remove and clean vacuum intake screen | * | | |
| Clean outside of all tanks and check for damage | * | | |
| Run vac motor for at least one minute to allow motor to dry | * | | |
| Store with dome off tank to allow the tank to dry | * | | |
| Check all bearings for noise | | * | |
| Check all gaskets for wear and leakage | | * | |
| Check vacuum intake screen for damage; replace if necessary | | * | |
| Check pump pressure; observe spray pattern and check with gauge if necessary | | * | |
| Check and clean solution screen | | * | |
| Check cables for fraying | | * | |
| Check overall performance of machine | | * | |
| Check vac motor carbon brushes | | | * |

TROUBLESHOOTING

| PROBLEM | CAUSE | SOLUTION |
|---------------------------------------|--|---|
| Loss of Power | Dead electrical circuit | Check building circuit breaker or fuse box. |
| | Faulty power cord | Replace |
| | GFCI breaker is tripped | Reset breaker on power cord |
| Electrical shock | Equipment not grounding | Follow grounding instructions exactly |
| | Receptacle not grounded | Contact an electrician to check building's wiring |
| | Internal wiring problem | Have a trained service technician check machine's wiring |
| Vac motor speed varies or doesn't run | Worn motor brushes | Replace |
| | Motor worn out | Replace |
| | Faulty switch | Replace |
| Loss of vacuum | Loose vacuum dome | Center and seal dome over tank |
| | Vacuum circuit breaker tripped. | Reset breaker. |
| | Crack in dome of poor joint | Replace or repair using acrylic plastic cement only |
| | Lint or dirt clogging vacuum screen | With power off clean screen |
| | Loose cuffs on vacuum hose | Tighten cuffs turning counterclockwise |
| | Vac motor seals leaking | Replace |
| | Floor tool vac chamber clogged | Wash out with hose. Pick lint out with a wire |
| | Vac motor, hose, or dome gasket | Replace |
| Pump runs no solution | Pump inlet screen plugged | Clean inlet screen |
| | Pump circuit breaker tripped. | Reset breaker. |
| | Faulty pump switch. | Call for service. |
| | Faulty pump motor. | Call for service. |
| | Pump air locked | Press trigger to open valve on cleaning wand to relieve air |
| | Internal or external solution line damaged and leaking | Replace |
| Pump runs, loss of pressure | Jet orifice on cleaning wand is too large | Total jet opening for 100 psi should be .06 to .08 |
| | Internal pump components wearing out | Replace, see pump kit components (pg 4-3) |
| | Note: Operation of pump using a wand or hand tool with an orifice of less than .06 will cause pump to cavitate or pulsate and could result in premature wear of pump components. | |
| | Check valves in pump head for particles or cuts in seals | Take piston from BPR and lubricate with Superlube. If problem still exists change BPR kit |
| Pump will not run | Unit not plugged in | Connect unit to 3 prong grounded outlet |
| | Loose wiring | See dealer |
| Solution hose fitting hard to connect | Corrosion on fittings. | Clean with steel wool. Soak in acetic acid (white vinegar). Lubricate lightly with silicone base lubricant. |

NOTES:

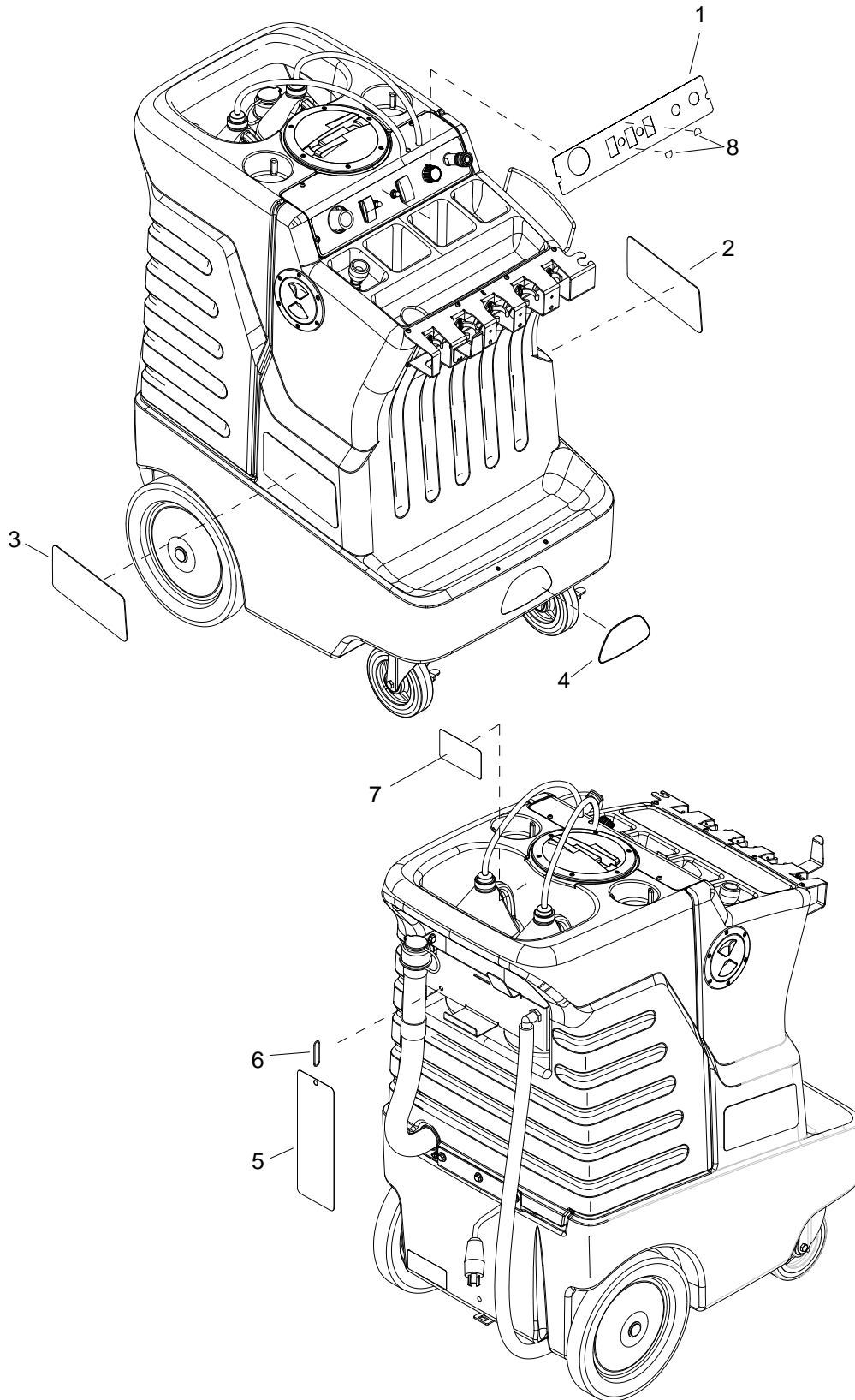
CONTROL PANEL



CONTROL PANEL

| REF | PART NO. | PRV NO. | QTY | DESCRIPTION | SERIAL NO. FROM | NOTES: |
|-----|----------|---------|-----|--------------------------------|--------------------|-----------|
| 1 | 86233090 | 20016 | 3 | CLAMP, 1/4 ID HOSE | | |
| 2 | 86282280 | 39634 | 2 | HOSE, 1/4 ID NYLOCBRAID X 23" | | |
| 3 | 86232110 | 270699 | 2 | CAMP CHEM FEED W/DIP TUBE | | |
| 4 | 86258930 | 84187 | 1 | VALVE, CHEMICAL METERING | | |
| 5 | 86005700 | 57104 | 2 | NUT, 10-32 W/STAR WASHER PLTD | | |
| 6A | 86001940 | 14635 | 1 | BREAKER, 10A CIRCUIT | | 120V |
| 6B | 86230110 | 14312 | 1 | BREAKER, 7A CIRCUIT | | 230V |
| 7A | 86215670 | 140839 | 1 | BREAKER, 8A VDE CIRCUIT | | 120V |
| 7B | 86230200 | 14831 | 1 | BREAKER, 5A VDE CIRCUIT | | 230V |
| 8 | 86302400 | - | 1 | QD, NIPPLE, FOSTER 25 MPB | | |
| 9 | 86197390 | 31021 | 1 | ELBOW, 1/4 NPT 45D STREET | | |
| 10 | 86279560 | 87178 | 3 | WASHER, 5/8 ID X 1.70 D 0.05T | | |
| 11 | 86276290 | 70626 | 4 | SCR, #10 X 3/4 PPHST HI-LO BLK | | |
| 12A | 86297370 | - | 1 | PANEL, SWITCH CONTROL | | 120V |
| 12B | 86302150 | - | 1 | PANEL, 3 SWITCH CONTROL | | 230V |
| 13 | 86002450 | 22015 | 1 | COUPLER, 1/4 QD | | |
| 14 | 86002010 | 14942 | 2 | BOOT, 3/8 CIRCUIT BREAKER | | |
| 15 | 86007200 | 72162 | 1 | SWITCH, DPDT3-POSITION ROCKER | | |
| 16 | 86238030 | 36235 | 2 | GASKET, SWITCH CARLING | | |
| 17 | 86007140 | 72130 | 1 | SWITCH, SPST 2-POSITION ROCKER | | |
| 18 | 86310280 | - | 1 | SWITCH, DPST 2 POSITION ROCKER | | 230V ONLY |

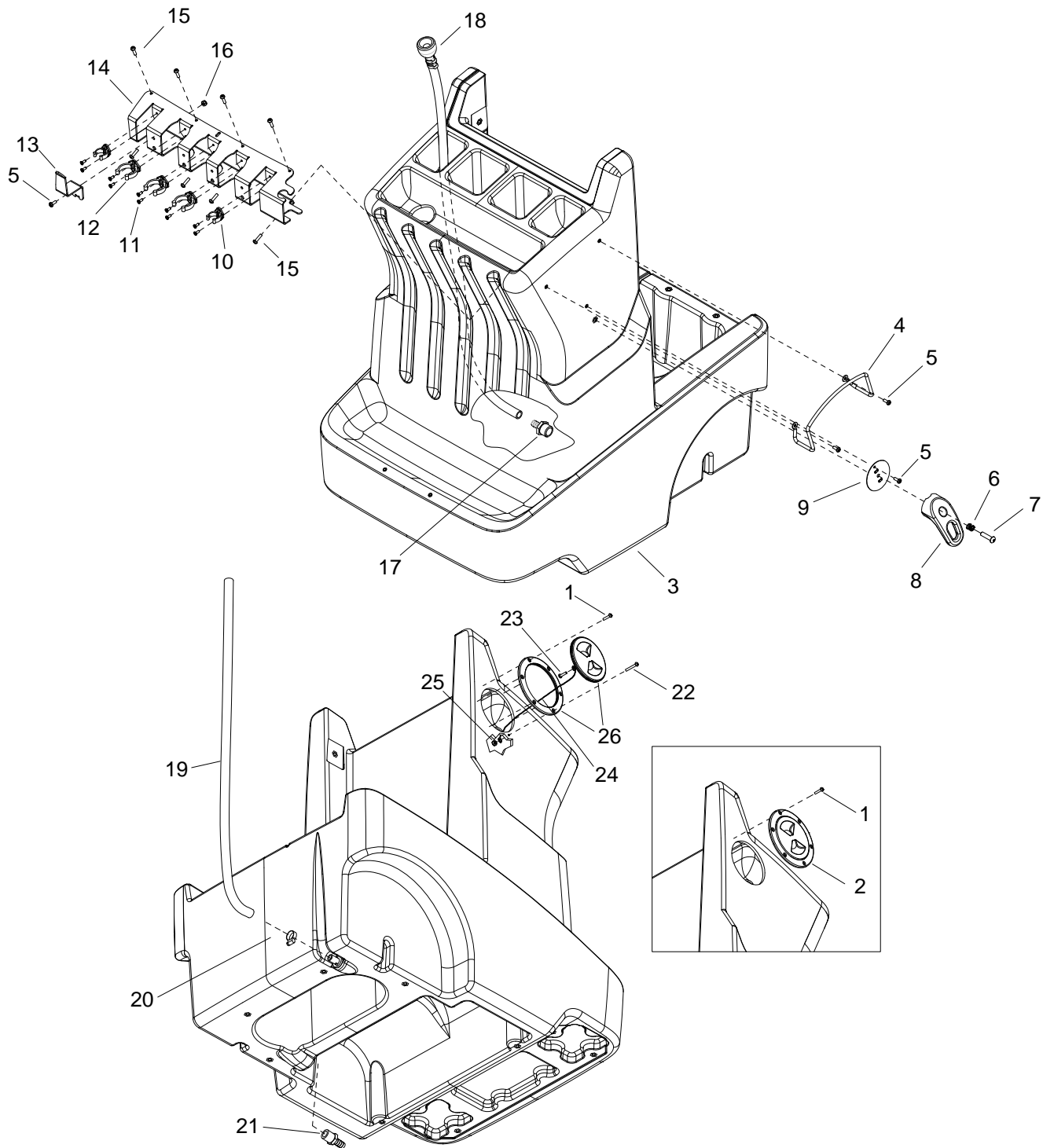
DECAL



DECAL

| REF | PART NO. | PRV NO. | QTY | DESCRIPTION | SERIAL NO. FROM | NOTES: |
|-----|----------|---------|-----|------------------------------------|--------------------|--------|
| 1 | 86299520 | - | 1 | LABEL, WINDSOR COMPASS, CONTROL | | |
| 2 | 86302660 | - | 1 | LABEL, LEFT, COMPASS2 | | |
| 3 | 86302650 | - | 1 | LABEL, RIGHT, COMPASS2 | | |
| 4 | 86004970 | 50990 | 1 | LABEL, WINDSOR LOGO DOMED | | |
| 5 | 86305190 | - | 1 | INSTRUCTION CARD, CMPS2 | | |
| 6 | 86002870 | 27417 | 1 | CORD, 1/8" X 12" | | |
| 7 | 86242230 | 500009 | 1 | LABEL, WARNING EXPLOSION HAZ'D | | |
| 8 | 86303660 | - | 1 | LABEL, COMPASS, 230V, ON/OFF | | |

SOLUTION TANK

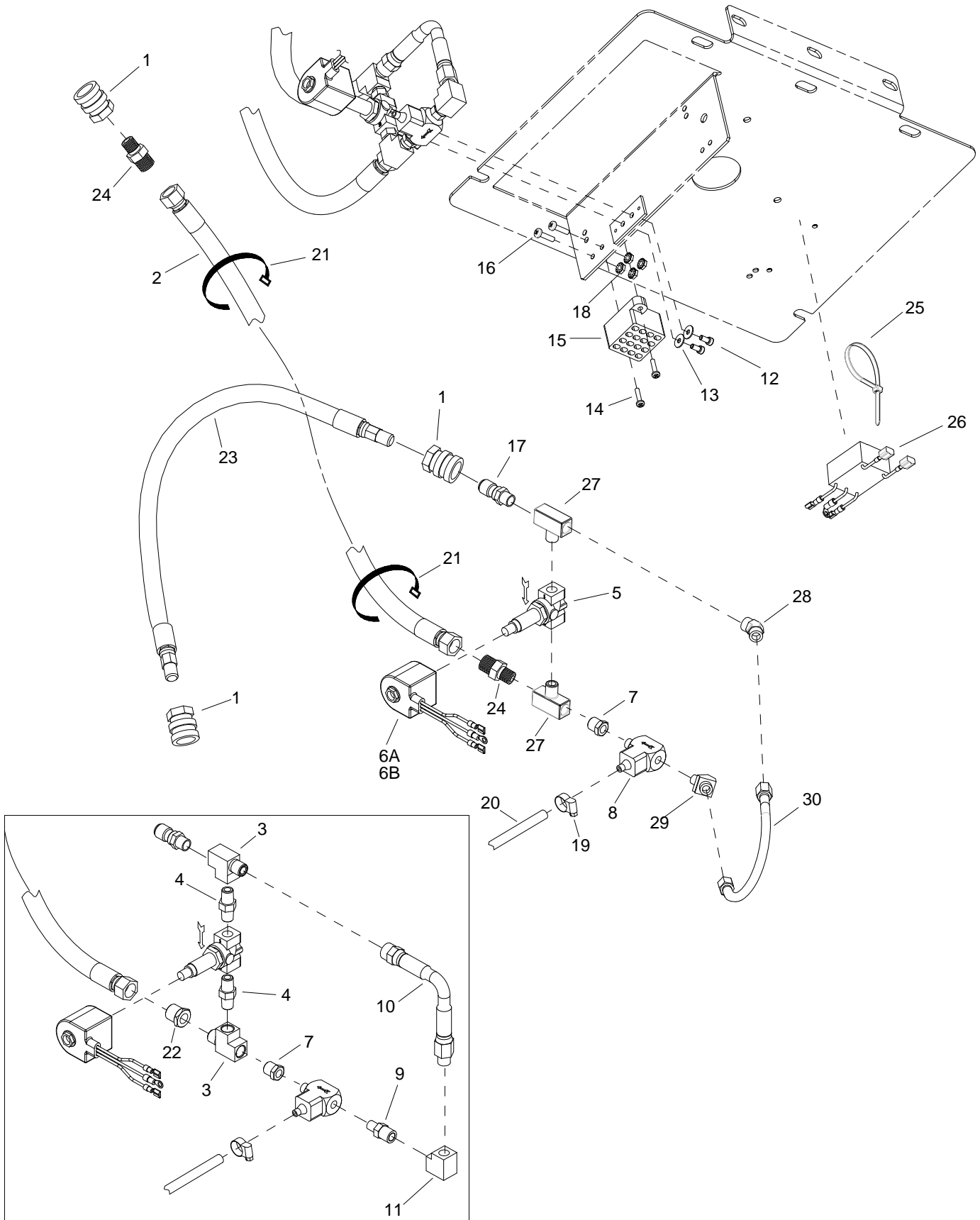


SOLUTION TANK

| REF | PART NO. | PRV NO. | QTY | DESCRIPTION | SERIAL NO. FROM | NOTES: |
|-----|----------|-----------|-----|---------------------------------------|-----------------|----------------------|
| 1 | 86275800 | 70546 | 5 | SCR, 8 X 3/4 PFHT/S BLK ZINC | | |
| 2 | 86226970 | 49-876215 | 1 | ACCESS COVER CLEAR 3.5" W/RIM | | |
| 3 | 86336450 | - | 1 | TANK, SOL, CMPS2 | *(1) | |
| 4 | 86239680 | 41476 | 1 | HOOK, HOSE STORAGE | | |
| 5 | 86006950 | 70532 | 4 | SCR, 10-32 X 1/2 PPHMS BLK NP | | |
| 6 | 86224730 | 73939 | 1 | SPRING, COMP, 12MM OD X 12.7MM | | |
| 7 | 86276650 | 70707 | 1 | SCR, 5/16-18 X 1.5 BSHCS SS | | |
| 8 | 86218960 | 41575 | 1 | HOOK, UPPER, CORD | | |
| 9 | 86301030 | - | 1 | PLATE, DETENT, CORD HOOK | | |
| 10 | 86302130 | - | 2 | CLIP, C 5/8, PLASTIC | | |
| 11 | 86302090 | - | 10 | SCR, 8-32 X 7/16 PFHTC "F" BLK | | |
| 12 | 86002990 | 27744 | 3 | CLIP, 1 1/2" PLASTIC | | |
| 13 | 86301990 | - | 1 | HOSE HOOK, HLDER, TOOL | | |
| 14 | 86301980 | - | 1 | HOLDER, TOOL | | |
| 15 | 86276290 | 70626 | 8 | SCR, #10 X 3/4 PPHST HI-LO BLK | | |
| 16 | 86271680 | 57236 | 1 | NUT, 10-32 HEX NYLOCK BLK | | |
| 17 | 86197920 | 40023 | 1 | HOSEBARB, 1/2MPT X 3/8 NYL DL | | |
| 18 | 86260690 | 02130 | 1 | HOSE ASM, FCT ADPTR X 60" NBRD | | |
| 19 | 86302590 | - | 1 | HOSE, CLEAR, 3/4 ID X 30" | | |
| 20 | 86233300 | 20101 | 1 | CLAMP, 1.25" WORM GEAR SS | | |
| 21 | 86197910 | 40022 | 1 | HOSEBARB, 1/2MPT X 1/2 POLY DL | | |
| 22 | 86339990 | - | 1 | SCR, 8-32 X 1.0, FHMS, PHLPS, SS, BLK | *(1) | |
| 23 | 86277560 | 70866 | 1 | SCR, #6X1/2 SHT MTL SS | *(1) | |
| 24 | 86232790 | 27912 | 1 | CHAIN, ASM, #10SS BD X 8" | *(1) | |
| 25 | 86272020 | 57313 | 1 | NUT, 8-32 HEX THIN NYLOCK SS | *(1) | |
| 26 | 86336230 | - | 1 | DECK PLATE ASM, 4" BLK | *(1) | |
| - | 86300320 | - | 1 | TANK, SOL CMPS 2 | | INCLUDES ITEMS 1, 26 |

* SEE SERIAL NUMBER PAGE.

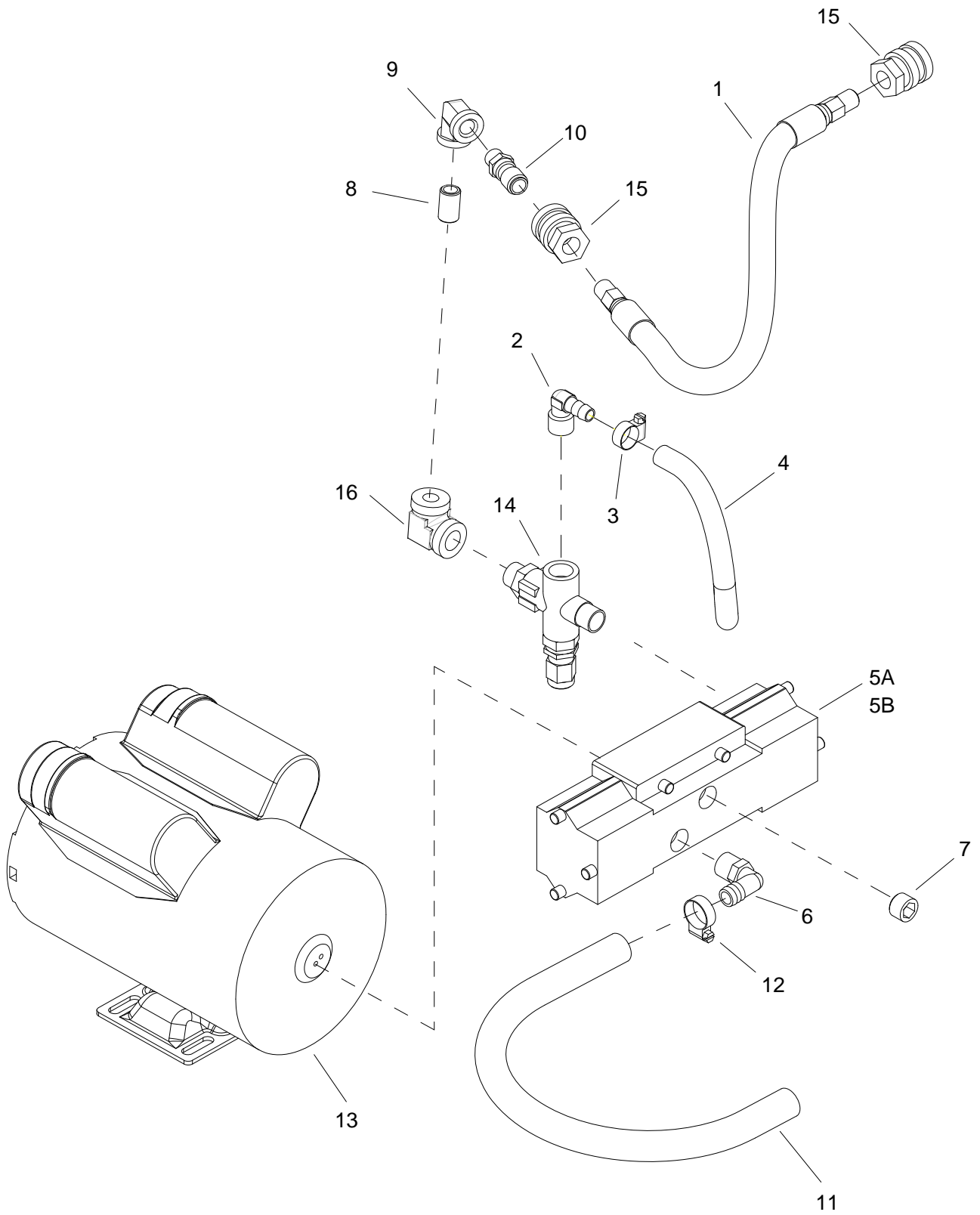
SOLUTION-INJECTOR ASSEMBLY



SOLUTION - INJECTOR ASSEMBLY

| REF | PART NO. | PRV NO. | QTY | DESCRIPTION | SERIAL NO. FROM | NOTES: |
|-----|----------|-----------|-----|---|--------------------|-----------|
| 1 | 86302410 | - | 3 | QD, COUPLER, FOSTER 25FS | | |
| 2 | 86302570 | - | 1 | HOSE, PULSE, 3/8F X 3/8F X 45" | | |
| 3 | 86197760 | 78308 | 2 | TEE, 1/4 STREET | | |
| 4 | 86247680 | 56015 | 2 | NIPPLE, 1/4 HEX | | |
| 5 | 86303760 | - | 1 | VALVE, SOLENOID, 1/4F 700PSI | | |
| 6A | 86303850 | - | 1 | COIL, 115V, SOLENOID | | |
| 6B | 86308530 | - | 1 | COIL, 230V, SOLENOID, CMPS2 | | |
| 7 | 86197300 | 14079 | 1 | BUSHING, 1/8 FPT X 1/4 MPT HEX | | |
| 8 | 86303770 | - | 1 | INJECTOR KIT, DEMA, 200-3C | | |
| 9 | 86305750 | - | 1 | NIPPLE, 1/4 X 1/8 REDUCING HEX | | |
| 10 | 86303750 | - | 1 | HOSE, ASM, 1/4F X 1/4M, 7" | | |
| 11 | 86197370 | 31017 | 1 | ELBOW, 1/4FPT X 1/4FPT | | |
| 12 | 86006630 | 70171 | 2 | SCR, 10-24 X 1/2 HHMS SS | | |
| 13 | 86010650 | 87018 | 2 | WASHER, #10 X 9/16 OD | | |
| 14 | 86006490 | 70013 | 2 | SCR, 8-32 X 3/4 PPHMS | | |
| 15 | 86305200 | - | 1 | TERMINAL BLOCK, 115/230V | | |
| 16 | 86273980 | 70066 | 2 | SCR, 10-32 X 3/4 PPHMS | | |
| 17 | 86302400 | - | 1 | QD, NIPPLE, FOSTER 25MPB | | |
| 18 | 86005700 | 57104 | 4 | NUT, 10-32 W/STAR WASHER PLTD | | |
| 19 | 86233090 | 20016 | 1 | CLAMP, 1/4 ID HOSE | | |
| 20 | 86295830 | - | 1 | HOSE, 1/4ID NYLOBRAID X 41" | | |
| 21 | 86264940 | 27051 | 6 | CABLE TIE, 11.38" UL/CSA | | |
| 22 | 86197290 | 14076 | 1 | BUSHING, 3/8 MPT X 1/4 FPT HEX | | |
| 23 | 86302790 | - | 1 | HOSE, PULSE, 1/4 MPLT X 1/4 MPLT X 30" | | |
| 24 | 86188130 | 11-800151 | 2 | NIPPLE, 3/8M X 1/4M | | |
| 25 | 86264940 | 27051 | 1 | CABLE TIE, 11.38" UL/CSA | | |
| 26 | 86308560 | - | 1 | ASM, FILTER MAIN | | 230V ONLY |
| 27 | 86197730 | 78024 | 2 | TEE, 1/4 BRANCH | * | |
| 28 | 86180460 | 12-800356 | 1 | ELL, 1/4PX1/4T 45DEG BR | * | |
| 29 | 86180420 | 12-800261 | 1 | ELL, 1/8P X 1/4T 45 DEG. | * | |
| 30 | 86327120 | - | 1 | HOSE, 3/16 X 8 (1/4FT BS) MET | * | |

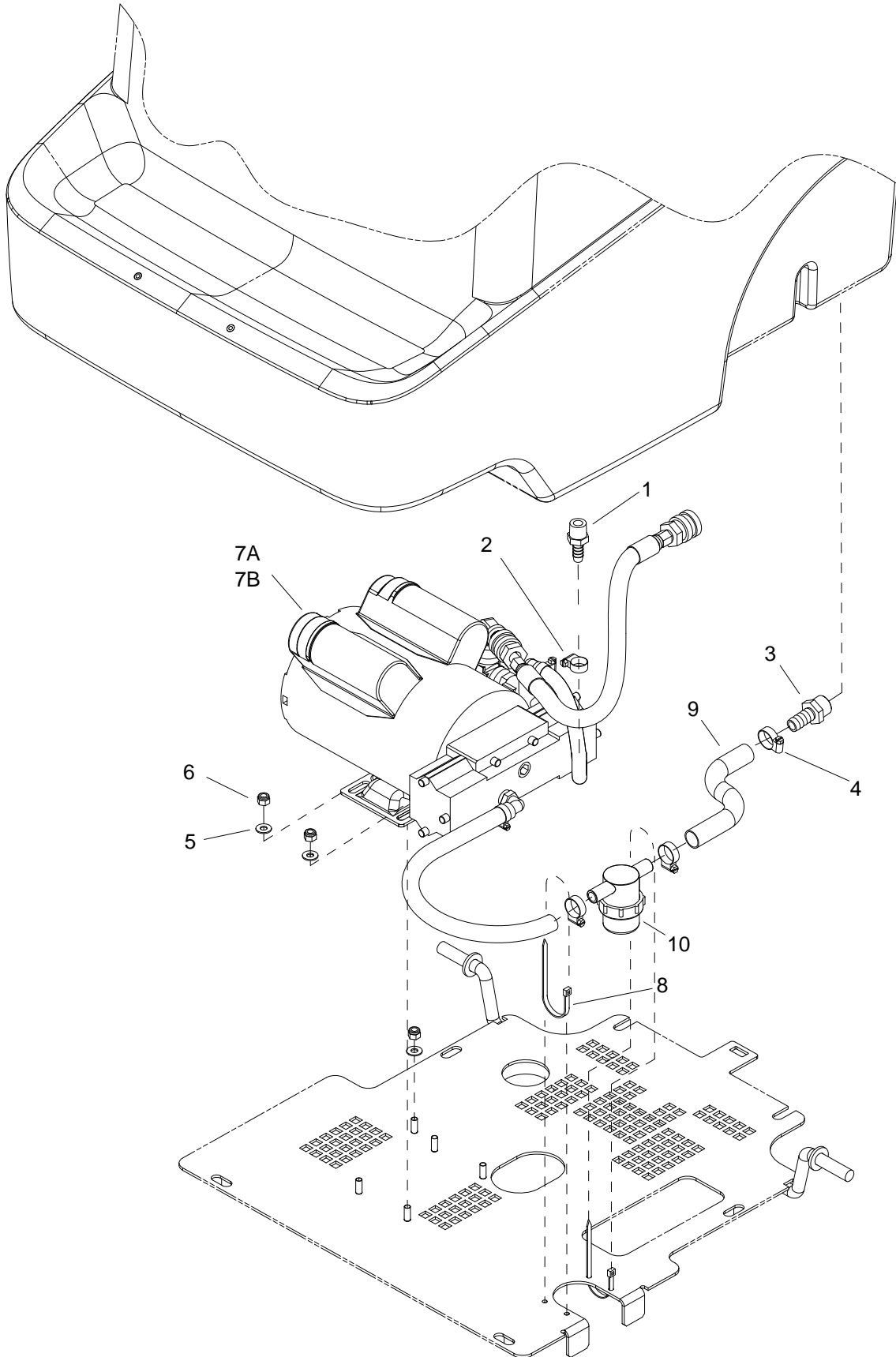
SOLUTION-PUMP



SOLUTION-PUMP

| REF | PART NO. | PRV NO. | QTY | DESCRIPTION | SERIAL NO. FROM | NOTES: |
|-----|----------|-----------|-----|-------------------------------------|--------------------|--------|
| 1 | 86302790 | - | 1 | HOSE, PULSE, 1/4MSWL X 3/8NPT X 30" | | |
| 2 | 86197610 | 40034 | 1 | HOSEBARB, 3/8MPTX3/8 90D DL | | |
| 3 | 86233090 | 20016 | 1 | CLAMP, 1/4 ID HOSE | | |
| 4 | 86302780 | - | 1 | HOSE, BRAIDED, 3/8ID X 16" L | | |
| 5A | 86302820 | - | 1 | PUMP, PUMPTEC, 700PSI | | |
| 5B | 86308100 | - | 1 | PUMP, PUMPTEC, 700PSI, 230V | | |
| 6 | 86317550 | - | 1 | HOSEBARB, 3/8 MPT X 1/2 90 BR | | |
| 7 | 86190520 | 11-800224 | 4 | PLUG, 3/8 SOCHD BR | | |
| 8 | 86005590 | 56014 | 1 | NIPPLE, 1/4 CLOSE | | |
| 9 | 86197370 | 31017 | 1 | ELBOW, 1/4FPT X 1/4FPT | | |
| 10 | 86302400 | - | 1 | QD, NIPPLE, FOSTER 25MPB | | |
| 11 | 86240280 | 39711 | 1 | HOSE, 1/2ID WIRE BOUND X 8" | | |
| 12 | 86233150 | 20042 | 1 | CLAMP, 3/8 HOSE (D-SLOT) | | |
| 13 | 86302720 | - | 1 | MOTOR, 700PSI, 115/230 VOLT | | |
| 14 | 86302730 | - | 1 | UNLOADER, 800PSI, PUMPTEC | | |
| 15 | 86302410 | - | 2 | QD, COUPLER, FOSTER 25FS | | |
| 16 | 86197380 | 31018 | 1 | ELBOW, 3/8FPT X 1/4FPT | | |

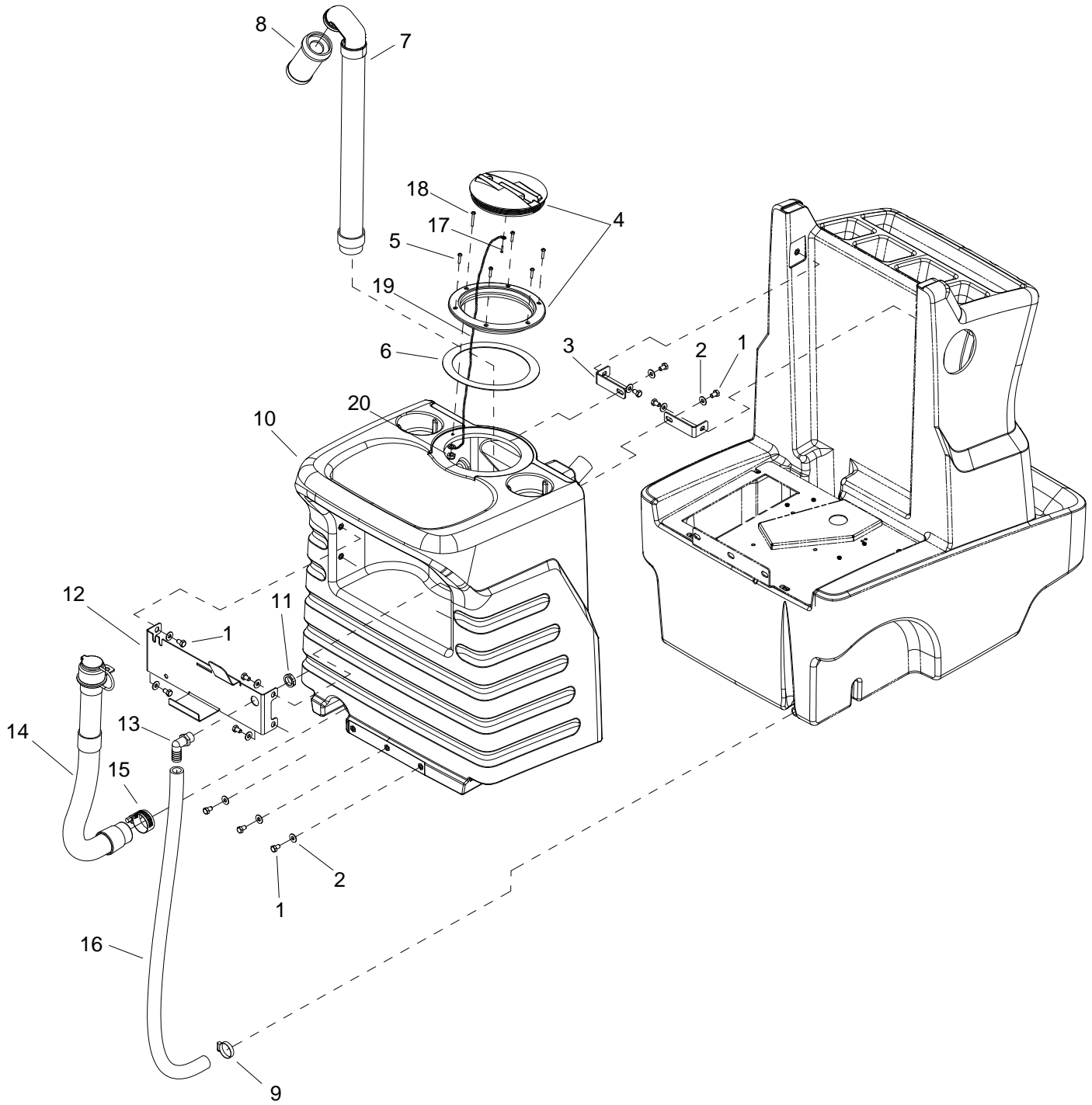
SOLUTION-PUMP



SOLUTION-PUMP

| REF | PART NO. | PRV NO. | QTY | DESCRIPTION | SERIAL NO. FROM | NOTES: |
|-----|----------|---------|-----|---------------------------------|--------------------|----------|
| 1 | 86240430 | 40083 | 1 | HOSEBARB, 3/8 MPT X 3/8 NYLON | | |
| 2 | 86233090 | 20016 | 1 | CLAMP, 1/4 ID HOSE | | |
| 3 | 86197910 | 40022 | 1 | HOSEBARB, 1/2MPT X 1/2 POLY DL | | |
| 4 | 86233150 | 20042 | 3 | CLAMP, 3/8 HOSE (D-SLOT) | | |
| 5 | 86010630 | 87013 | 5 | WASHER, 1/4 ID X 5/8 OD SS | | |
| 6 | 86005810 | 57245 | 5 | NUT, 1/4-20 HEX NYLOCK SS | | |
| 7A | 86302430 | - | 1 | PUMP ASM, 700 PSI 115V | | COMPLETE |
| 7B | 86307960 | - | 1 | PUMP ASM, 700 230V CMPS2 | | COMPLETE |
| 8 | 86264940 | 27051 | 2 | CABLE TIE, 11.38" UL/CSA | | |
| 9 | 86302770 | - | 1 | HOSE, 1/2 ID WIRE BOUND X 14" L | | |
| 10 | 86340870 | - | 1 | STRAINER 1/2" HOSE 80 MESH | | |

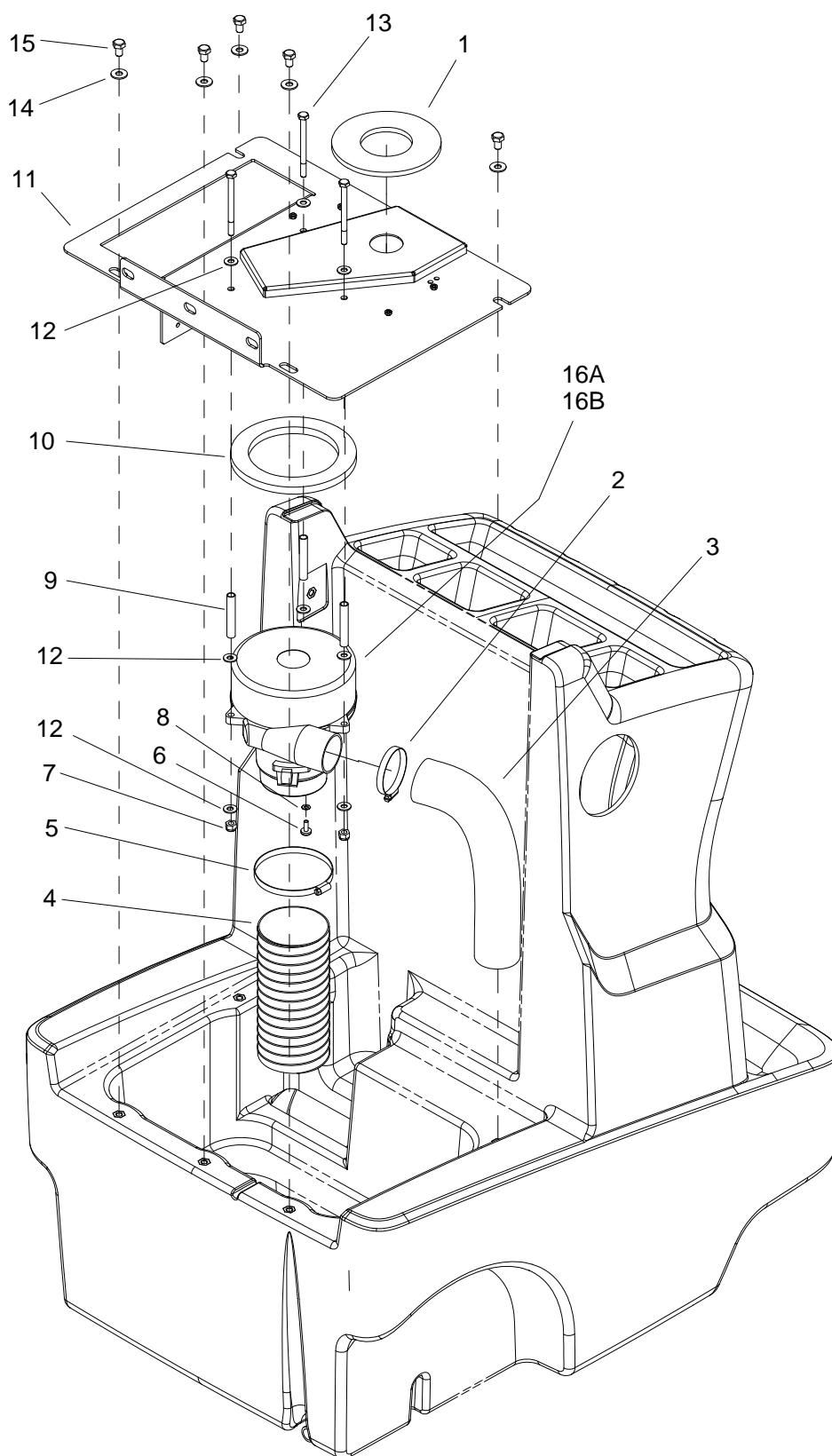
RECOVERY TANK



RECOVERY TANK

| REF | PART NO. | PRV NO. | QTY | DESCRIPTION | SERIAL NO. FROM | NOTES: |
|-----|----------|-----------|-----|---------------------------------------|--------------------|--------|
| 1 | 86277040 | 70781 | 11 | SCR, 5/16-18 X 1/2 HHCS SS NP | | |
| 2 | 86010670 | 87029 | 11 | WASHER, 5/16 FLAT SS | | |
| 3 | 86070510 | 140659 | 1 | BRKT, TANK MOUNT | | |
| 4 | 86002620 | 260-64A | 1 | ACCESS COVER CLEAR 6" W/RIM | | |
| 5 | 86275800 | 70546 | 6 | SCR, 8 X 3/4 PFHT/S BLK ZINC | | |
| 6 | 86004000 | 35255 | 1 | GASKET, TANK LID | | |
| 7 | 86033250 | 66402 | 1 | PIPE ASM, VACUUM STACK | | |
| 8 | 86199840 | 090-12A | 1 | FLOAT SCREEN CAGE ASSY (SLIP) | | |
| 9 | 86233110 | 20018 | 1 | CLAMP, 1.0" WORM GEAR | | |
| 10 | 86300900 | - | 1 | TANK, REC DK GRY 2 | | |
| 11 | 86271850 | 57287 | 1 | NUT, 1/2 NPT PLASTIC | | |
| 12 | 86296560 | - | 1 | BRACKET, UTILITY MOUNT, 2.0 | | |
| 13 | 86240790 | 82358 | 1 | HOSEBARB, 1/2 MPT X 3/4 90D | | |
| 14 | 86302360 | - | 1 | DRAIN HOSE | | |
| 15 | 86177050 | 03-000176 | 1 | CLAMP, HOSE #20 | | |
| 16 | 86302590 | - | 1 | HOSE, CLEAR, 3/4ID X 34" | | |
| 17 | 86277560 | 70866 | 1 | SCR, #6 X 1/2 SHT MTL SS | | |
| 18 | 86339990 | - | 1 | SCR, 8-32 X 1.0, FHMS, PHLPS, SS, BLK | | |
| 19 | 86232790 | 27912 | 1 | CHAIN, ASM, #10SS BD X 8" | | |
| 20 | 86272020 | 57313 | 1 | NUT, 8-32 HEX THIN NYLOCK SS | | |

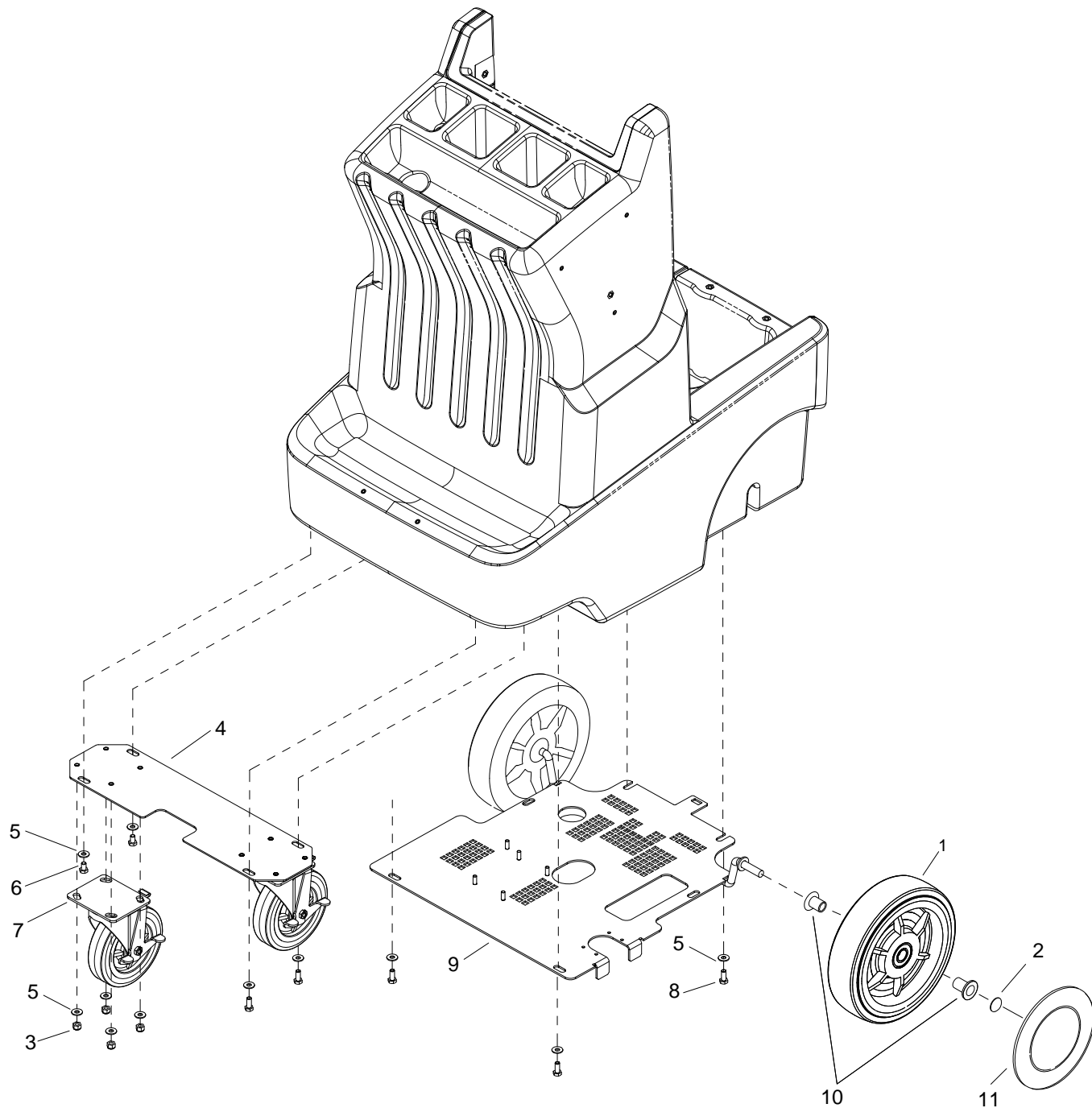
VACUUM



VACUUM

| REF | PART NO. | PRV NO. | QTY | DESCRIPTION | SERIAL NO. FROM | NOTES: |
|-----|----------|---------|-----|---------------------------------|--------------------|--------|
| 1 | 86237870 | 35270 | 1 | GASKET, 5.0 OD X 2.38 ID X .25T | | |
| 2 | 86002380 | 20046 | 1 | CLAMP, 2.25" WORM GEAR | | |
| 3 | 86281180 | 39298 | 1 | HOSE, 2.0 VAC EXHAUST X 17" | | |
| 4 | 86240240 | 39697 | 1 | HOSE, 3.15 ID X 7.0L VENT | | |
| 5 | 86233260 | 20092 | 1 | CLAMP, 3.5" WORM GEAR | | |
| 6 | 86274370 | 70191 | 1 | SCR, 10-24 X 1/2 HHTC TYPE 23 | | |
| 7 | 86005810 | 57245 | 3 | NUT, 1/4-20 HEX NYLOCK SS | | |
| 8 | 86010640 | 87016 | 1 | WASHER, #10 LOCK EXT STAR SS | | |
| 9 | 86201970 | 065-92 | 3 | VAC SPACER 2 1/4 (2 STAGE) | | |
| 10 | 86003760 | 35166 | 1 | GASKET, VAC MTR | | |
| 11 | 86296140 | - | 1 | COVER, VAC MOTOR | | |
| 12 | 86010630 | 87013 | 9 | WASHER, 1/4 ID X 5/8 OD SS | | |
| 13 | 86007010 | 70663 | 3 | SCR, 1/4-20 X 3 1/4 HHCS PLT | | |
| 14 | 86010670 | 87029 | 5 | WASHER, 5/16 FLAT SS | | |
| 15 | 86277040 | 70781 | 5 | SCR, 5/16-18 X 1/2 HHCS SS NP | | |
| 16A | 86303840 | - | 1 | VAC MTR, 120V 5.7 2 ST TD | | 115V |
| - | 86135320 | 140687 | - | BRUSH SET, 120V VAC WINDSOR | | 115V |
| 16B | 86304640 | - | 1 | ASSY, VAC MOTOR, 230V | | 230V |
| - | 86135330 | - | - | BRUSH SET, 230V VAC MTR | | 230V |

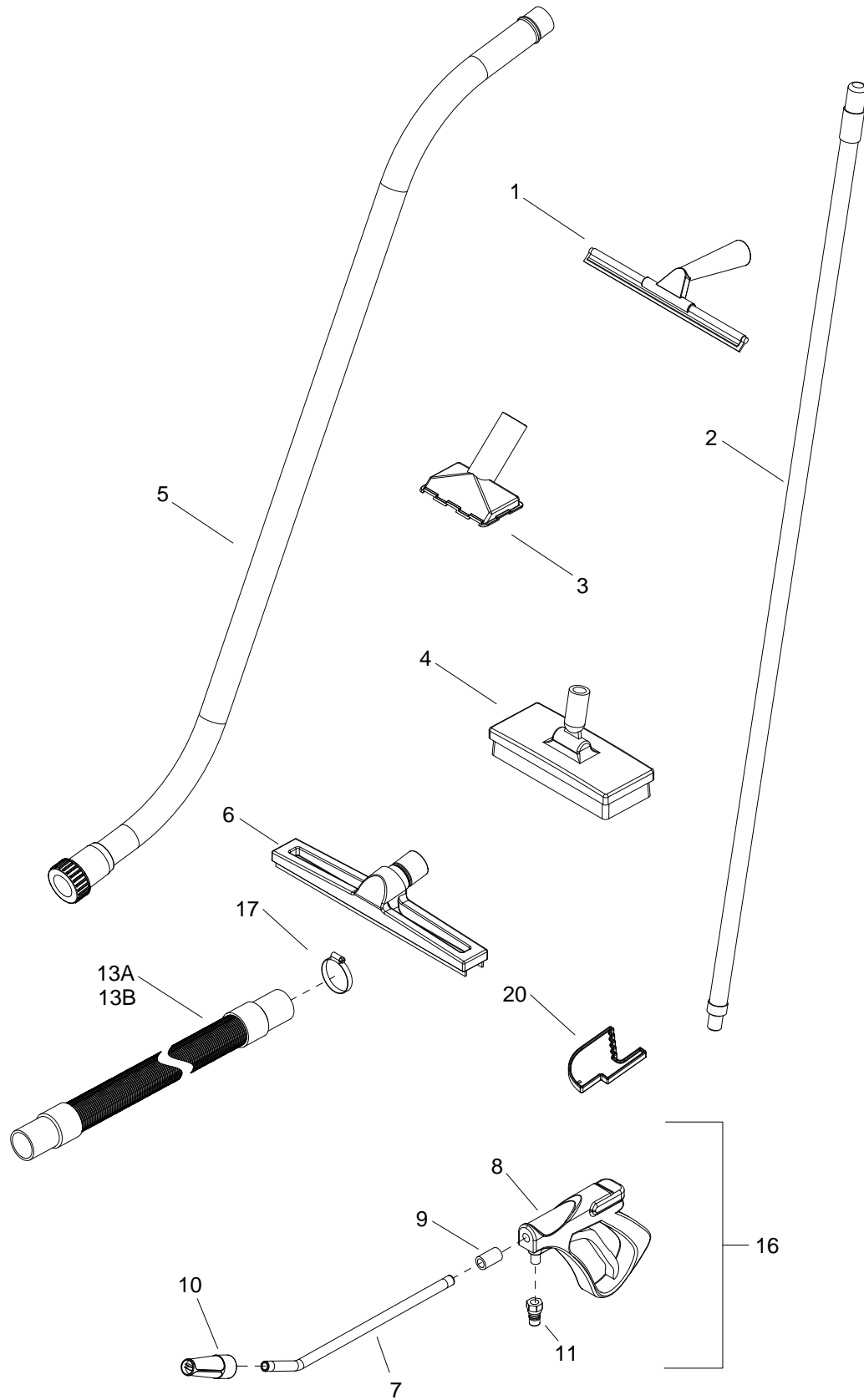
WHEELS & FRAME



WHEELS & FRAME

| REF | PART NO. | PRV NO. | QTY | DESCRIPTION | SERIAL NO. FROM | NOTES: |
|-----|----------|---------|-----|-------------------------------|--------------------|--------|
| 1 | 86323840 | - | 2 | WHEEL, 12" | | |
| 2 | 86271380 | 57196 | 2 | NUT, 1/2 PUSH-IN DOME CAP | | |
| 3 | 86270830 | 57023 | 8 | NUT, 5/16-18 HEX NYLOCK SS | | |
| 4 | 86078800 | 620001 | 1 | PLATE MOUNT CASTER | | |
| 5 | 86010670 | 87029 | 16 | WASHER, 5/16 FLAT SS | | |
| 6 | 86276780 | 70728 | 4 | SCR, 5/16-18 X 3/4 HHCS SS | | |
| 7 | 86232620 | 18043 | 2 | CASTER, 6" DIA X 4.63 SWIVEL | | |
| 8 | 86277040 | 70781 | 4 | SCR, 5/16-18X1/2 HHCS SS NP | | |
| 9 | 86296130 | - | 1 | FRAME, PUMP/WHEEL MNT | | |
| 10 | 86323860 | - | 4 | BUSHING FLANGED .501D X .630D | | |
| 11 | 86219480 | - | 2 | HUBCAP 9.75" WHEEL GREY | | |

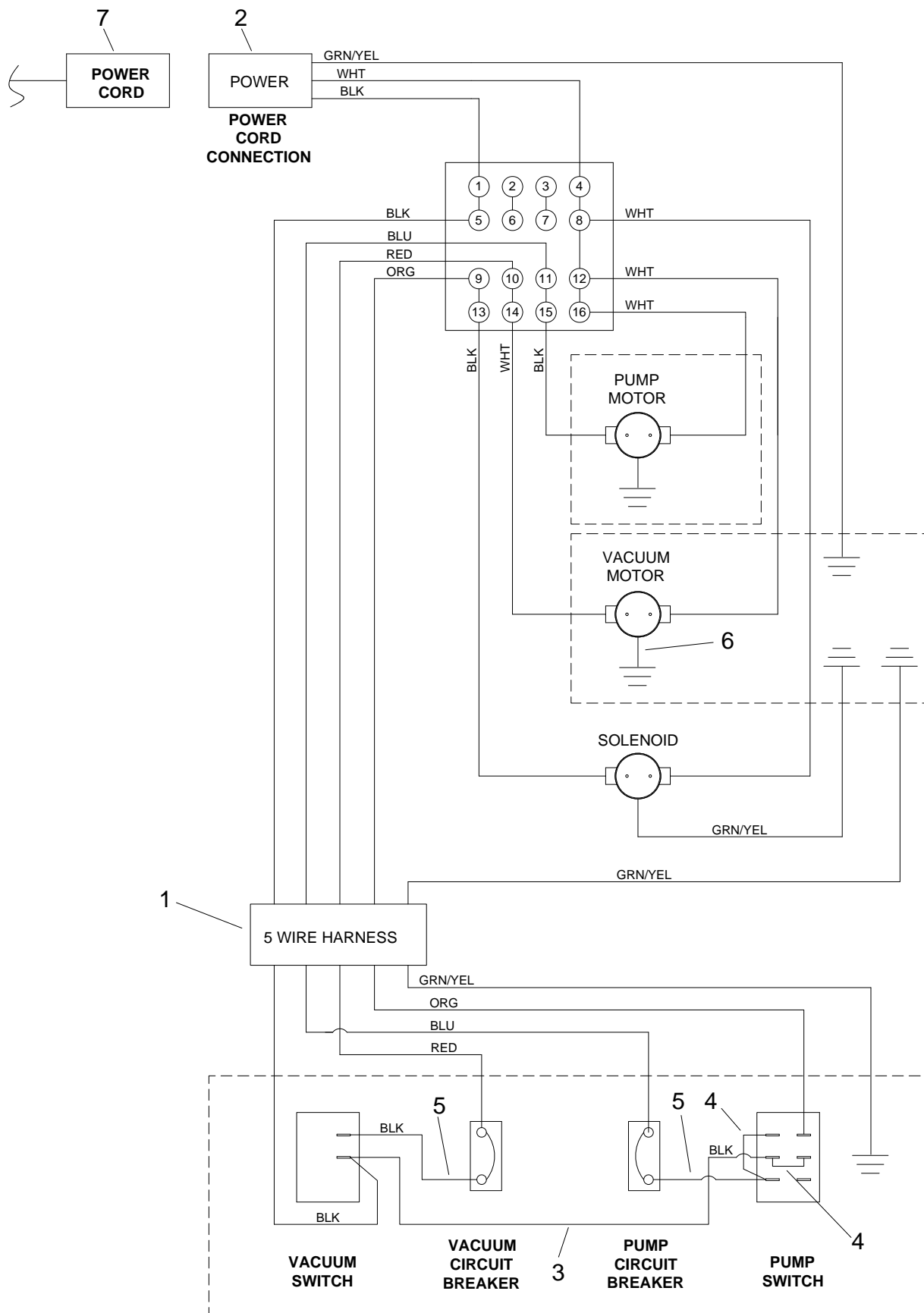
TOOLS- STANDARD



TOOLS- STANDARD

| REF | PART NO. | PRV NO. | QTY | DESCRIPTION | SERIAL NO. FROM | NOTES: |
|-----|----------|---------|-----|---------------------------------|-----------------|-----------|
| 1 | 86257660 | 02478 | 1 | TOOL, HAND SQUEEGEE | | |
| 2 | 86257650 | 02477 | 1 | TOOL, SCRUB BRUSH HANDLE | | |
| 3 | 86257640 | 02475 | 1 | TOOL, GULPER | | |
| 4 | 86257670 | 02479 | 1 | TOOL, TILE BRUSH | | |
| 5 | 86257680 | 02480 | 1 | TOOL, ALUMINUM WAND | | |
| 6 | 86257620 | 02473 | 1 | TOOL, WHEELED SQUEEGEE | | |
| 7 | 86301890 | - | 1 | LANCE, TUBE, 1/4", 14" LONG | | |
| 8 | 86290390 | - | 1 | GUN, PRESSURE WASH PMPTC | | |
| 9 | 86301910 | - | 1 | BUSHING, SPRAY GUN | | |
| 10 | 86301920 | - | 1 | NOZZLE, ADJUSTABLE, 027 JET | | |
| 11 | 86005580 | 56012 | 1 | NIPPLE, 1/4 FPT QD | | |
| 12 | 86200350 | 39578 | 1 | HOSE ASM, 1/4HP SLTN 25 FT | | NOT SHOWN |
| 13A | 86240180 | 39637 | 1 | HOSE ASM, 1.5 X 30 FT | | |
| 13B | 86240250 | 39703 | 1 | HOSE ASM, 1.5 BLK VAC X 30' | | |
| 14 | 86202160 | 320-05 | 1 | STRAP, VELCRO | | NOT SHOWN |
| 15 | 86234200 | 23215 | 1 | CORD SET, 14/3 X 50 FT GFCI YLW | | NOT SHOWN |
| 16 | 86301880 | - | 1 | SPRAY GUN | | COMPLETE |
| 17 | 86002400 | 20064 | 1 | CLAMP, 2.9" WORM GEAR X .312W | | |
| 18 | 86241930 | 47419 | - | KIT, SQUEEGEE TOOL BLADES | | |
| 19 | 86290410 | - | - | NOZZLE REPLACEMENT JET | | |
| 20 | 86257690 | 02481 | 1 | TOOL, DOOR WEDGE | | |

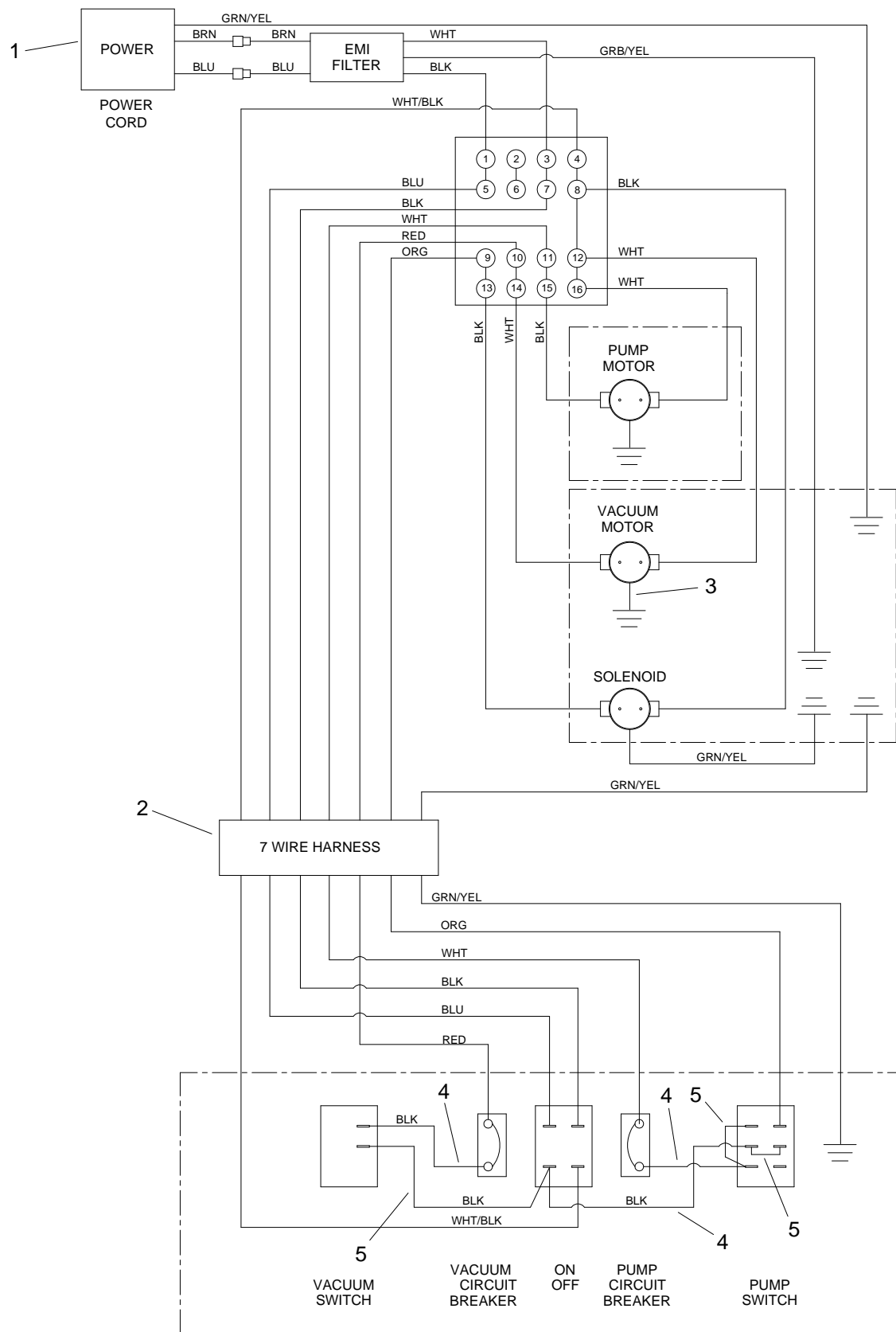
WIRING – SCHEMATIC – 120V



WIRING DIAGRAM - 120V

| REF | PART NO. | PRV NO. | QTY | DESCRIPTION | SERIAL NO. FROM | NOTES: |
|-----|----------|---------|-----|--------------------------------|--------------------|--------|
| 1 | 86305020 | - | 1 | HARNES, MAIN | | |
| 2 | 86305060 | - | 1 | CORD SET, 14/3 X 31 | | |
| 3 | 86308000 | - | 1 | WIRE, 6" BLK/14 76050 X 76029 | | |
| 4 | 88305070 | - | 2 | WIRE, 2", BLK/14 76050 X 76029 | | |
| 5 | 86268570 | 88401 | 2 | WIRE, 3", BLK/14 76029X 76029 | | |
| 6 | 86268180 | 88184 | 1 | WIRE, 8", GRN/18 76008 X 76008 | | |
| 7 | 86234200 | 23215 | 1 | CORD SET, 14/3X50' GFCI YLW | | |

WIRING – SCHEMATIC – 230V



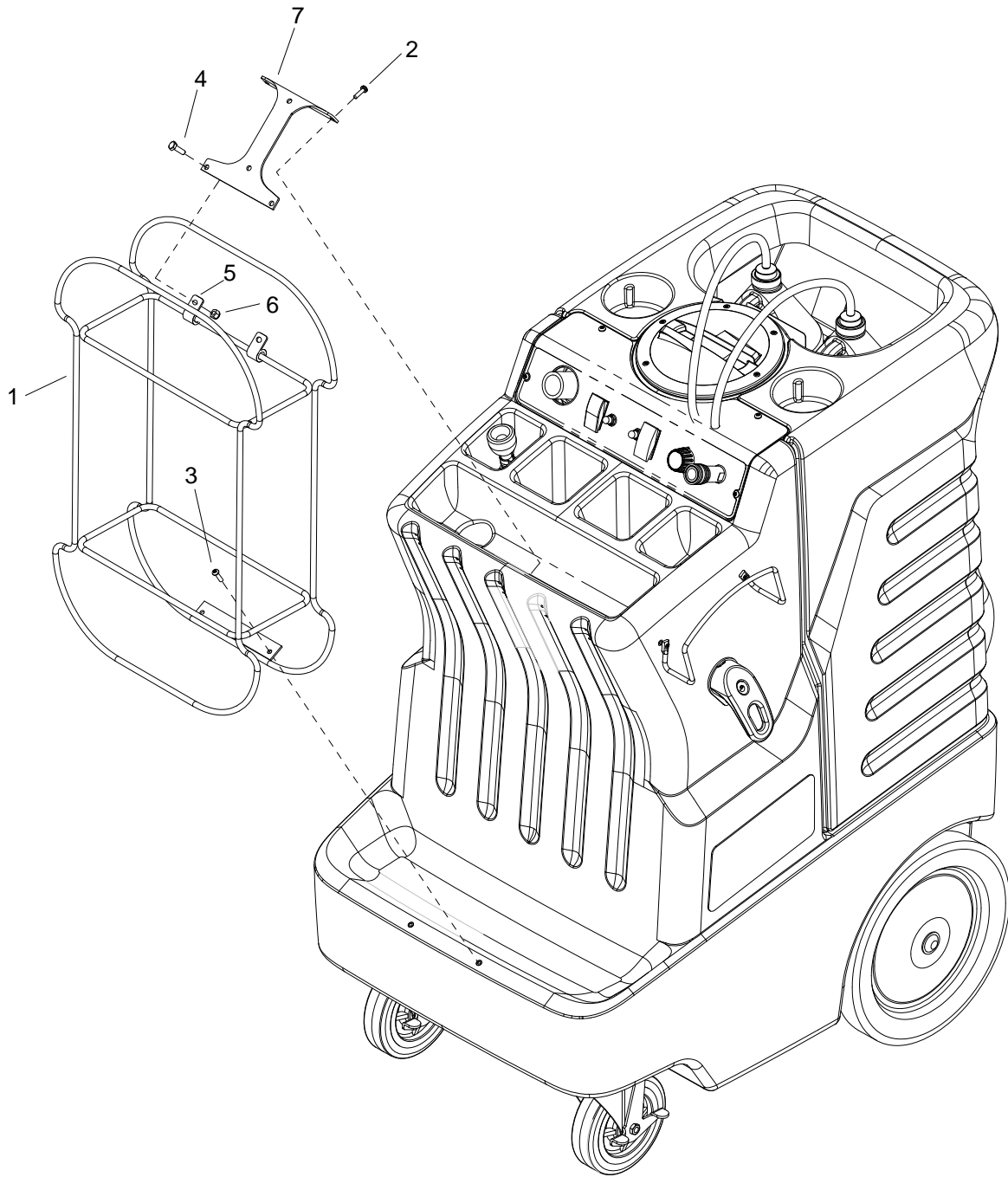
WIRING DIAGRAM – 230V

| REF | PART NO. | PRV NO. | QTY | DESCRIPTION | SERIAL NO. FROM | NOTES: |
|-----|----------|---------|-----|--------------------------------|-----------------|--------|
| 1 | 86234330 | 23711 | 1 | CORD ASM, 1.5MM2X 50' EURO | | |
| 2 | 86308770 | - | 1 | HARNESS, MAIN, 230V | | |
| 3 | 86268180 | 88184 | 1 | WIRE, 8" GRN/18 76008 X 76008 | | |
| 4 | 86308750 | - | 3 | WIRE, 4", BLK/14 76029 X 76029 | | |
| 5 | 86308760 | - | 3 | WIRE, 4", BLK/14 76050 X 76029 | | |

SUGGESTED SPARE PARTS

| PART NO. | PRV NO. | DESCRIPTION | SERIAL NO. FROM | NOTES: |
|----------|---------|---------------------------------------|-----------------|----------------|
| 86241930 | 47419 | KIT, SQUEEGEE BLADES, WHEELS & SCREWS | | |
| 86305460 | - | STRAINER, 3/8FPT 80 MESH | | |
| 86135320 | 140687 | BRUSH SET, 120V VAC | | 115V |
| 86028720 | 53266 | VAC MOTOR ASM, 115V W/ TERM | | 115V |
| 86304640 | - | ASSY, VAC MOTOR, 230V | | 230V |
| 86135330 | - | BRUSH SET, 230V VAC MTR | | 230V |
| 86002010 | 14942 | BOOT, 3/8 CIRCUIT BREAKER | | |
| 86215670 | 140839 | BREAKER, 8A VDE CIRCUIT | | 115V |
| 86001940 | 14635 | BREAKER, 10A CIRCUIT | | 115V |
| 86230200 | 14831 | BREAKER, 5A VDE CIRCUIT | | 230V |
| 86230110 | 14312 | BREAKER, 7A, CIRCUIT | | 230V |
| 86302720 | - | MOTOR, 700PSI, PUMPTEC | | 115V & 230V |
| 86302820 | - | PUMP, PUMPTEC, 700PSI | | 115V |
| 86308100 | - | PUMP, PUMPTEC, 700PSI, 230V | | 230V |
| 86301880 | - | SPRAY GUN | | |
| 86301920 | - | NOZZLE, ADJUSTABLE, 027 JET | | |

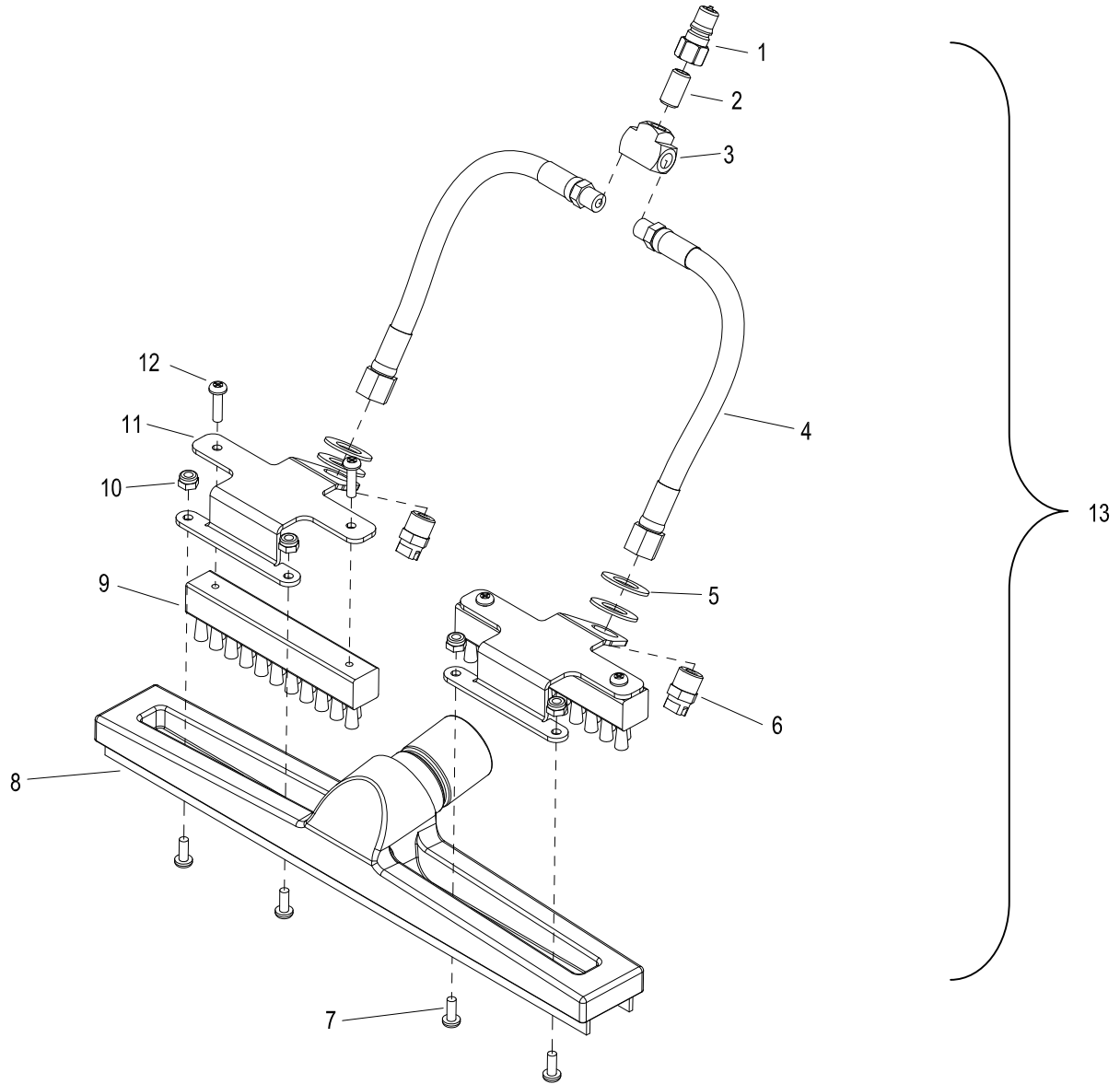
VAC HOSE RACK - OPTION



VAC HOSE RACK - OPTION

| REF | PART NO. | PRV NO. | QTY | DESCRIPTION | SERIAL NO. FROM | NOTES: |
|-----|----------|-----------|-----|-------------------------------|--------------------|--------|
| 1 | 86240630 | 49499 | 1 | HOSE RACK | | |
| 2 | 86276600 | 70696 | 3 | SCR, #10 X 3/4 PTHSMS SS | | |
| 3 | 86006590 | 70088 | 2 | SCR, 10-32 X 1/2 PPHMS SS NP | | |
| 4 | 86275210 | 70384 | 2 | SCR, 1/4-20 X 1/2 PHTR BLK DL | | |
| 5 | 86270250 | 03-000133 | 2 | CLAMP, 1/4X1/4 BLT VIN DP | | |
| 6 | 86005680 | 57047 | 2 | NUT, 1/4-20 HEX NYLOCK | | |
| 7 | 86068180 | 140710 | 1 | BRACKET, TOP HOSE RACK | | |

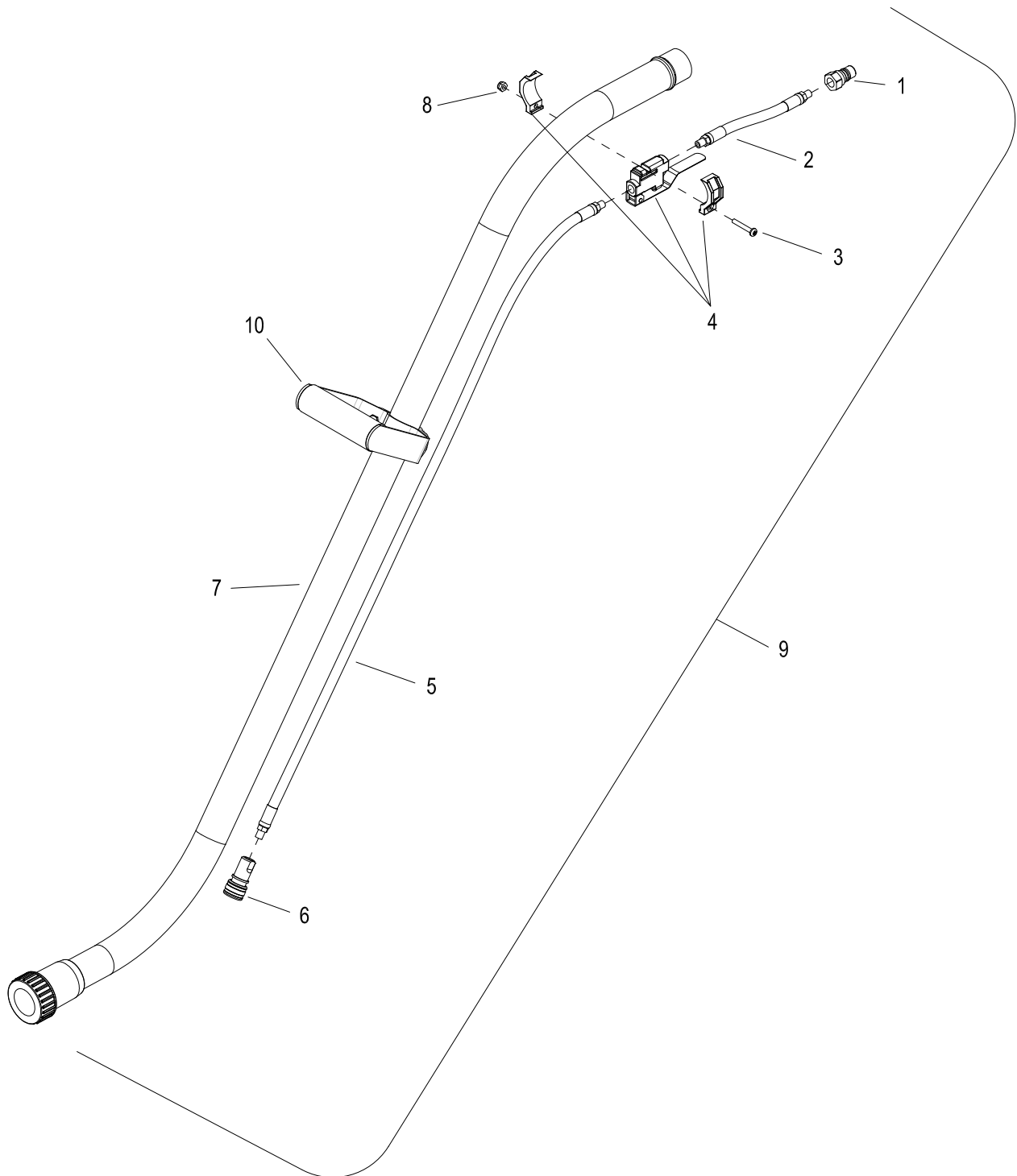
TOOLS- GROUT CLEANER-OPTION



TOOLS – GROUT CLEANER-OPTION

| REF | PART NO. | PRV NO. | QTY | DESCRIPTION | SERIAL NO. FROM | NOTES: |
|-----|----------|-----------|-----|-------------------------------|--------------------|--------|
| 1 | 86200820 | 270-11A | 1 | NIPPLE, 1/8 FPT QD MALE BRASS | | |
| 2 | 86247720 | 56032 | 1 | NIPPLE, 1/8 CLOSE | | |
| 3 | 86194160 | 11-800133 | 1 | TEE, 1/8 BR | | |
| 4 | 86240190 | 39639 | 2 | HOSE, 1/8 MPT X 1/4 FPT X 12L | | |
| 5 | 86090230 | 87015 | 4 | WASHER, 9/16 ID X 1.06 OD SS | | |
| 6 | 86241700 | 44079 | 2 | JET, 1/4 MEG 15015 | | |
| 7 | 86006590 | 70088 | 4 | SCR, 10-32 X 1/2 PPHMS SS NP | | |
| 8 | 86088740 | 02476 | 1 | TOOL, GROUT CLEANER | | |
| 9 | 86308040 | - | 2 | BRUSH, FLOOR TOOL | | |
| 10 | 86270990 | 57090 | 4 | NUT, 10-32 HEX NYLOCK SS | | |
| 11 | 86308780 | - | 2 | BRKT, BRUSH MOUNT | | |
| 12 | 86006870 | 70406 | 4 | SCREW #10B X 1/2 PHSM BLK | | |
| 13 | 86000480 | 47431 | REF | KIT, GROUT CLEANER | | |

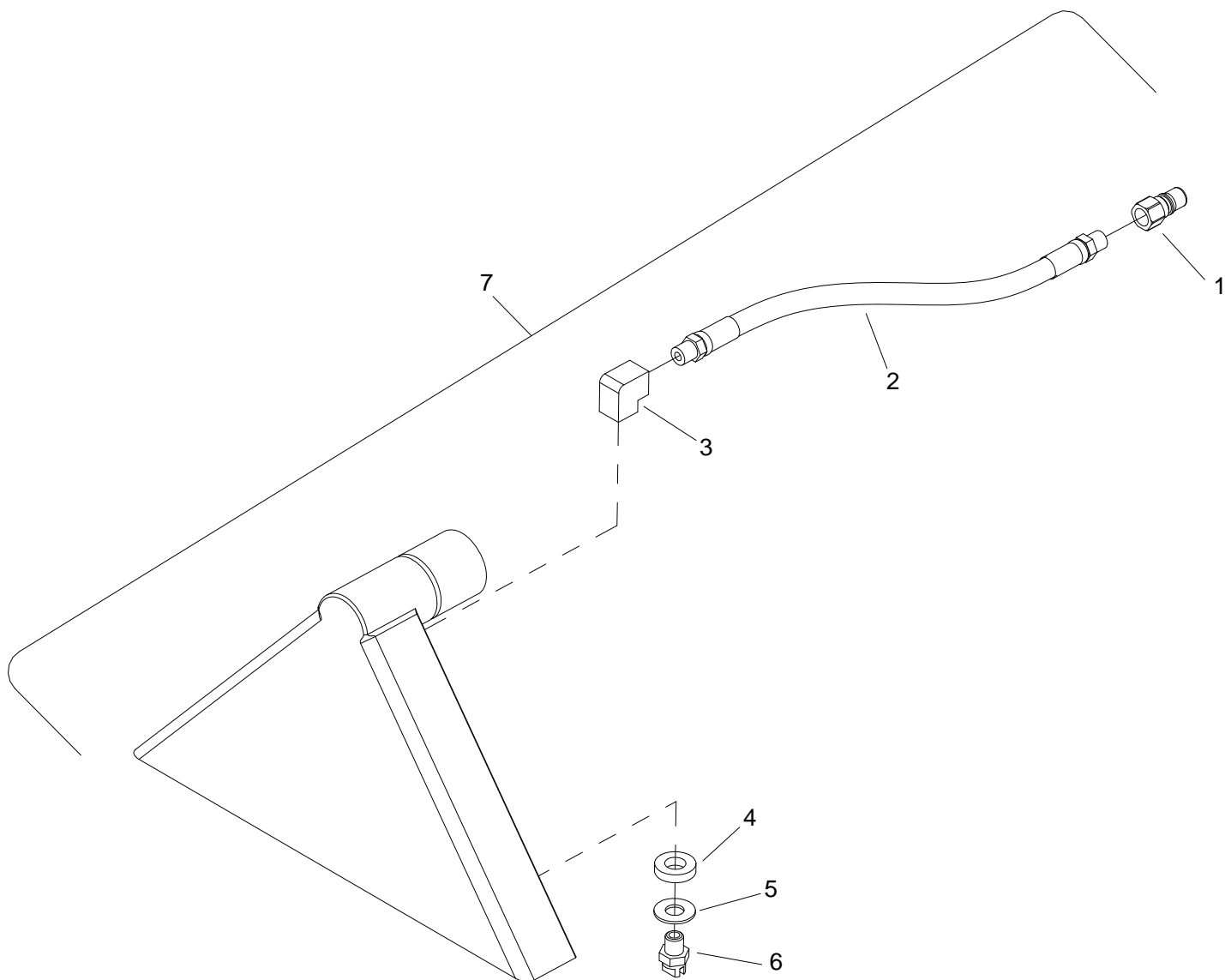
TOOLS- HIGH PRESSURE WAND-OPTION



TOOLS – HIGH PRESSURE WAND-OPTION

| REF | PART NO. | PRV NO. | QTY | DESCRIPTION | SERIAL NO. FROM | NOTES: |
|-----|----------|---------|-----|-------------------------------|--------------------|----------|
| 1 | 86005580 | 56012 | 1 | NIPPLE, 1/4 FPT QD | | |
| 2 | 86240210 | 39641 | 1 | HOSE, 1/8 MPT X 1/4 MPT X 7 L | | |
| 3 | 86274410 | 70195 | 1 | SCR, 10-32 X 1.25 PPHMS SS | | |
| 4 | 86258950 | 84189 | 1 | VALVE, 500 PSI W/ CLAMP | | |
| 5 | 86240200 | 39640 | 1 | HOSE, 1/8 MPT X 1/8 MPT X 38L | | |
| 6 | 86200810 | 270-11 | 1 | NIPPLE, 1/8 FPT QD FEM BRASS | | |
| 7 | 86257680 | 02480 | 1 | TOOL, ALUMINUM WAND | | |
| 8 | 86270990 | 57090 | 1 | NUT, 10-32 HEX NYLOCK SS | | |
| 9 | 86041300 | 47432 | REF | KIT, HIGH PRESSURE WAND | | COMPLETE |
| 10 | 86135760 | 38109 | 1 | HANDLE GRIP ASSEMBLY 1.5”T | | |

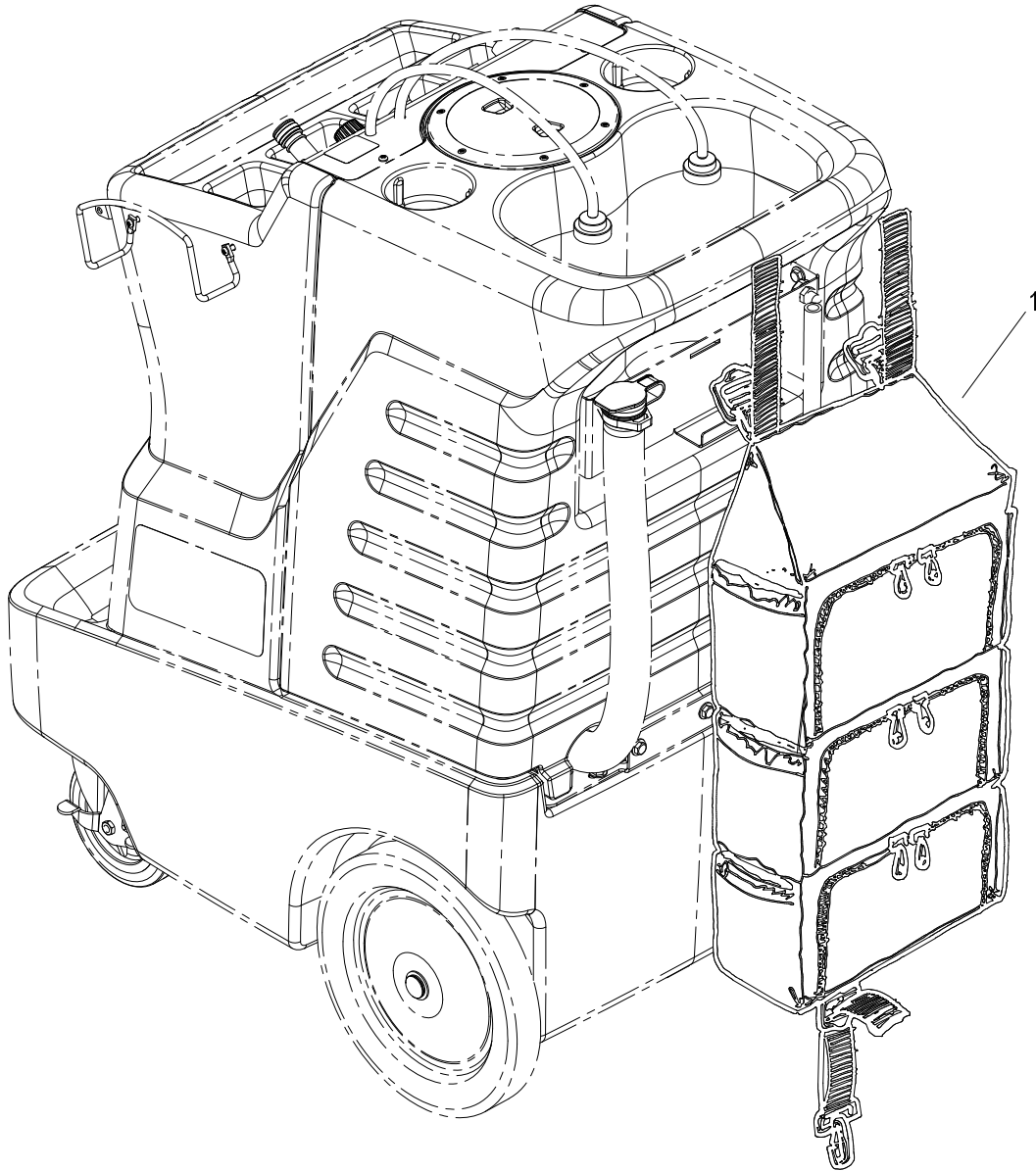
TOOLS- CARPET TOOL- OPTION



TOOLS – CARPET TOOL- OPTION

| REF | PART NO. | PRV NO. | QTY | DESCRIPTION | SERIAL NO. FROM | NOTES: |
|-----|----------|---------|-----|--|--------------------|----------|
| 1 | 86200820 | 270-11A | 1 | NIPPLE, 1/8 FPT QD MALE BRASS | | |
| 2 | 86240220 | 39642 | 1 | HOSE, 1/8 MPT X 1/8 MPT | | |
| 3 | 86296220 | - | 1 | ELBOW, 1/8 FPT | | |
| 4 | 86305440 | - | 1 | WASHER, .45ID X .87X .20THK NYL | | |
| 5 | 86305450 | - | 1 | WASHER, .40ID X .87OD X .060THK SST | | |
| 6 | 86241710 | 44080 | 1 | JET, 1/4 H-VV 11003 | | |
| 7 | 86284550 | 02484 | - | TOOL, CARPET CLEANER | | COMPLETE |

STORAGE BAG-OPTION



STORAGE BAG-OPTION

| REF | PART NO. | PRV NO. | QTY | DESCRIPTION | SERIAL NO. FROM | NOTES: |
|-----|----------|---------|-----|------------------|--------------------|--------|
| 1 | 86283390 | 47423 | 1 | KIT, STORAGE BAG | | |

CHEMICAL LOCK-OPTION



CHEMICAL LOCK-OPTION

| REF | PART NO. | PRV NO. | QTY | DESCRIPTION | SERIAL NO. FROM | NOTES: |
|-----|----------|---------|-----|---------------------|--------------------|--------|
| 1 | 86070520 | 140660 | 1 | BRKT, CHEMICAL LOCK | | |

SERIAL NUMBERS

| REF. NO. | MODEL: SERIAL #: |
|-------------|---|
| 1 | CMPS2 : 10070560000748, CMPS2E : 10070570000033 |