



## 17" and 20" Floor Machines

**E83013-00 CREWMAN 17HD**

**E83014-00 CREWMAN 20HD**

**E85028-00 FOREMAN 17HD**

**E85021-00 FOREMAN 20HD**

**E83009-00 FOREMAN 17DS**

**E83010-00 FOREMAN 20DS**



## Operator's Manual Parts Schematic



## **Specifications**

- **Cleaning Path/Pad Size:** 17", 20"
  - **Hour Meter:** Yes / 0.1 hour resolution
  - **Motor:** 1.5 hp, 120v, 12 A, 60 HZ
  - **Pad Speed:** 175 RPM
  - **Power Cord:** 50' 14/3 Safety Yellow
  - **Handle Grips:** Anti-Fatigue
  - **Operating Wheels:** 5" Non-marking
  - **Productivity:** Bonnet-1100 sq.ft/hr., buff/scrub-2400 sq.ft/hr., strip-800 sq.ft/hr.
  - **Weight:** 90 lbs.
  - **Dimensions:** Length 24.25", Width 20", Height 48"
- 

## **! WARNING! IMPORTANT SAFETY INSTRUCTIONS**

**Carefully read and understand this manual before operating this machine.**

**To reduce risk of fire, electric shock, or injury:**

- Do not operate in explosive areas, near flammable liquids or gases.
- Only plug into a properly grounded outlet.
- Do not exposure to rain, store indoors.
- Do not plug in or handle machine with wet hands.
- Do not operate the machine with a damaged cord or plug.
- Do not block or disconnect safety lever.
- Do not leave machine plugged in while unattended.
- Unplug machine before servicing.
- Do not put fingers under the pad or pad holder.
- Unplug the machine before installing or removing the pad.
- Use only high speed burnishing pads.
- Do not put any foreign object into openings. Do not use with any opening blocked; keep free of dust, lint, hair, & anything that may reduce airflow.
- Keep hair, loose clothing, fingers, & all parts of body away from openings & moving parts.
- Turn off all controls before unplugging.
- Do not use in or around flammable or combustible liquids such as gasoline or use in areas where they may be present.
- Connect to a properly grounded outlet only. See grounding instructions.

## **Grounding Instructions**

This machine must be grounded. If it should electrically malfunction, grounding provides a path of least resistance for electric current to reduce the risk of electric shock. This machine is equipped with a cord having an equipment-grounding conductor & grounding plug. The plug must be plugged into an appropriate outlet that is properly installed & grounded in accordance with all local codes & ordinances.

### **! DANGER!**

Improper connection of the equipment-grounding conductor can result in a risk of electric shock. Check with a qualified electrician or service person if you are in doubt as to whether the outlet is properly grounded. Do not modify the plug provided with the machine. If plug will not fit the outlet, have a proper outlet installed by a qualified electrician.

Replace the plug if the grounding pin is damaged or broken.

Extension cords connected to this machine should be 12 gauge, 3-wire cords with 3-prong plugs & outlets. DO NOT use extension cords more than 50 feet long.

---

## **Operating Instructions**

**Check machine for damage to cord or plug.**

**Use suitable pads or brushes.**

**To install or change the pad:**

1. Unplug the machine.
2. Tip the machine back on the wheels.
3. Install pad driver or brush.
4. Center the pad on the pad driver.

**To operate the machine:**

1. Plug into a grounded outlet.
  2. Release the handle and lower it.
  3. The handle can be locked into a comfortable position for the operator or used free floating.
  4. Press the safety lever and squeeze the trigger to start the machine.
  5. Do not operate in one place as damage to the floor or finish could result.
  6. Do not operate the machine with the handle in the upright position.
  7. Remove the pad after every use.
  8. Store the machine tilted back on the transport wheels.
  9. Use only new or clean pads and reverse them as needed.
- 

## **Maintenance Instructions**

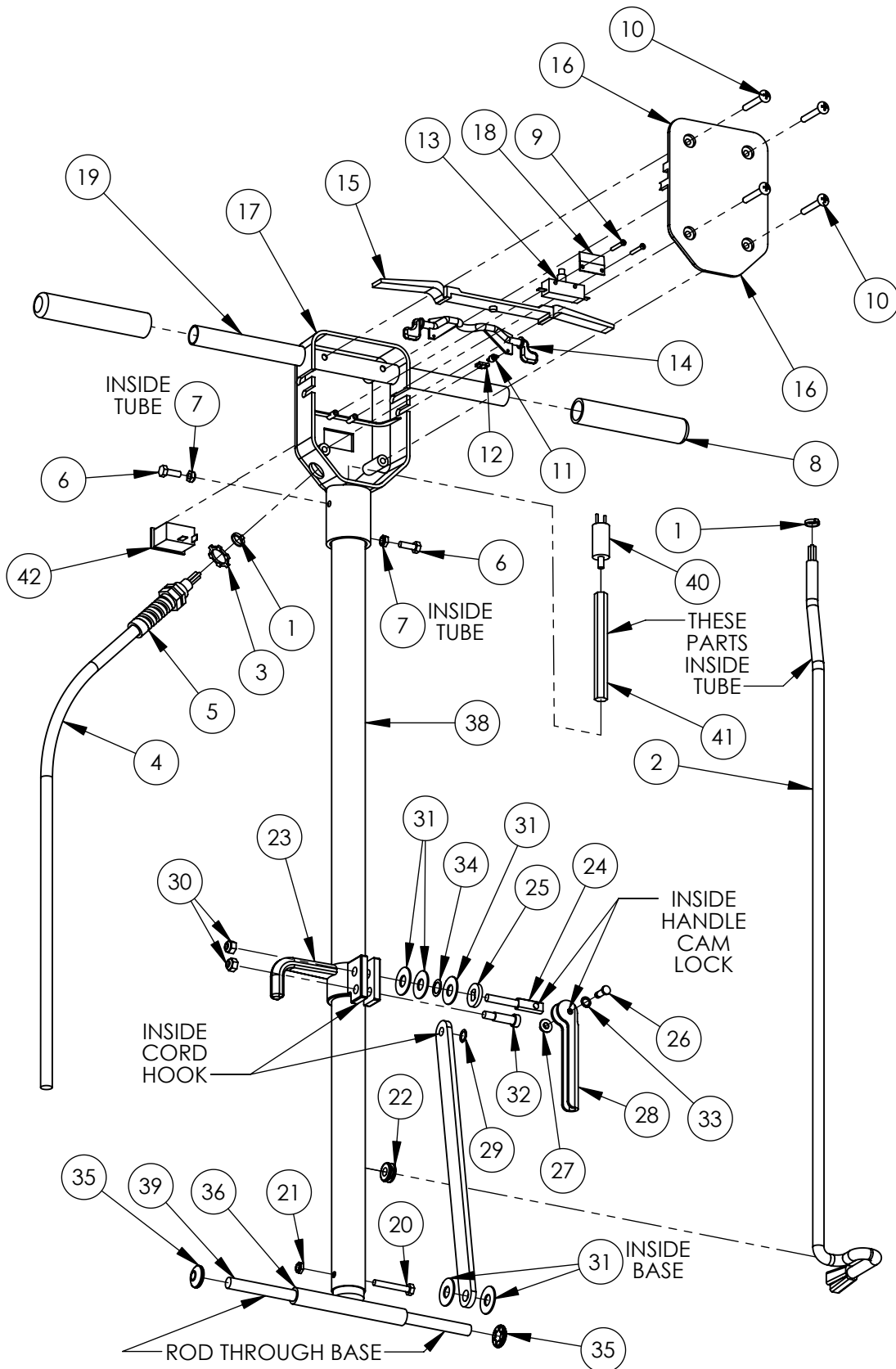
To maintain appearance – wipe the machine with a damp cloth after use.

**Warning** – Unplug the machine before servicing

This machine is equipped with an hour meter to signal maintenance intervals of 250 hours. It will begin flashing at 245 hrs and stop at 255 hrs to signal the operator to check the following:

1. Check the motor brushes for wear or excessive arcing.
2. Check the cord and electrical system.
3. Check the safety lockout on the trigger.
4. Check wheels.

# HANDLE PARTS

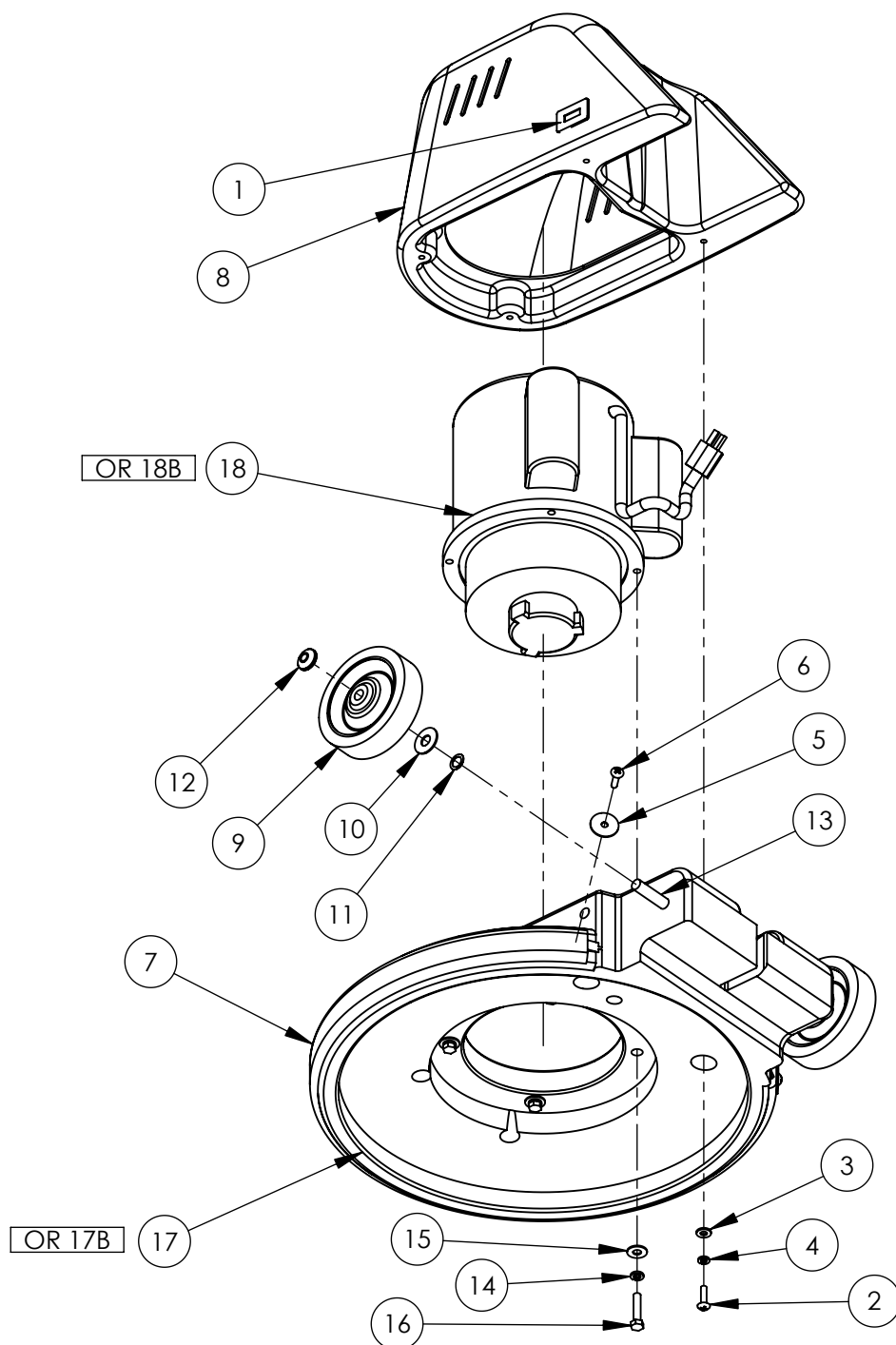


### HANDLE PARTS

ITEM NO.	SKU	DESCRIPTION	QTY.
1	E83523	NYLON CABLE TIE	2
2	E83132	CORD, HANDLE, 14-3	1
3	E83789	NUT, ELECTRICAL CONDUIT, 1/2"	1
4	E83790	CORD, 50 FEET, 14-3 ST	1
5	E83496	STRAIN RELIEF FOR REPLACEMENT	1
6	E81064	BOLT, HEX, 1/4-20 x 3/4	2
7	E83520	NUT, NYLOCK, 1/4-20	2
8	E83127	GRIP	2
9	E83427	SCREW, PHILLIPS, No. 6 x 1	2
10	E83426	SCREW, PHILLIPS, 1/4-20 x 1.75	4
11	E83130	SPRING	1
12	E83270	CLIP, SPRING	1
13	E85032	SWITCH	1
14	E83129	SAFETY LOCK	1
15	E82752	TRIGGER, SWITCH	1
16	E82751	COVER, SWITCH BOX	1
17	E83125	SWITCH BOX, HANDLE, DUAL SPEED	1
18	E81105	PLATE, SWITCH	1
19	E83451	HANDLE TUBE, 7/8 x 16	1
20	E81065	BOLT, HEX, 1/4-20 x 1-3/4, GRADE 5	1
21	E81070	NUT, NYLOCK, 1/4-20	1
22	E83519	GROMMET, .375 ID	1
23	E83137	CORD HOOK	1
24	E83133	BOLT, ADJUSTABLE, CAM, 5/16-18	1
25	E83135	OVAL WASHER	1
26	E83266	PIN, .25 x .75	1
27	E83268	CAP, PUSH, .25	1
28	E83133	HANDLE, CAM LOCK	1
29	E81379	WASHER, SPRING, 3/8	1
30	E81063	NUT, NYLOK, 5/16-18	2
31	E83145	WASHER, NYLON	5
32	E81077	BOLT, SHOULDER, 3/8 x 1	1
33	E83133	WASHER, SPRING, 1/4	1
34	E83269	WASHER, SPRING, 1/2	1
35	E83143	CAPS, AXLE, 0.5	2
36	E82717	HANDLE ATTACHMENT, WELDED "T"	1
37	E83136	BRACKET, FLAT, HANDLE	1
38	E83711	HANDLE TUBE	1
39	E83452	AXLE, 1/2 x 12.375	1
40	E83662	SPEED CONTROL, DUAL SPEED MACHINE	1
41	E83652	HEAT SINK ROD	1
42	E83608	SWITCH, ROCKER, 2 SPEED	1
Not Shown	PE50061	Cam Lock Assembly	1

**NOTE: DUAL SPEED FLOOR MACHINE HAS ALL PARTS LISTED.  
SINGLE SPEED MACHINE DOES NOT HAVE PARTS 40, 41, AND 42.**

# BASE, MOTOR, AND WHEELS

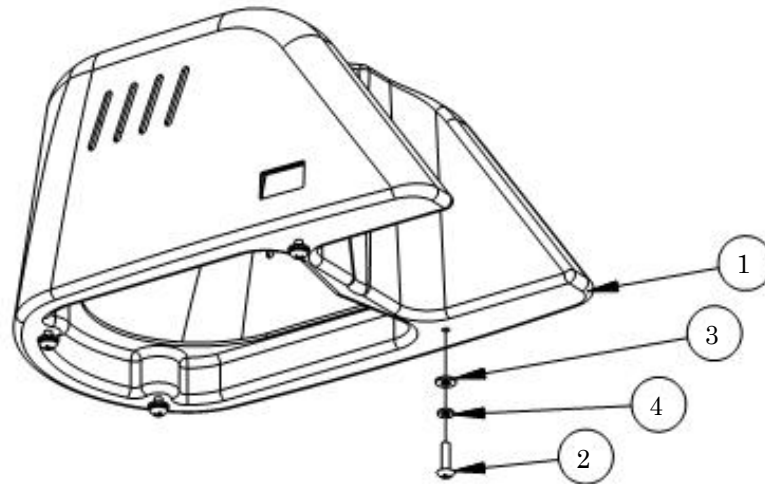




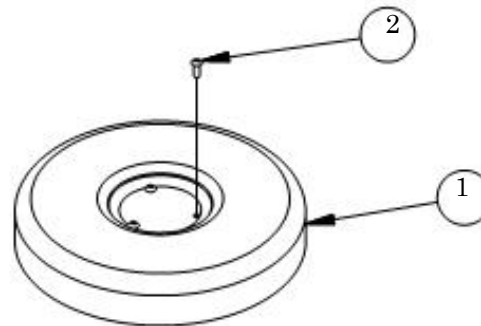
**BASE, MOTOR, AND WHEELS**

<b>ITEM</b>	<b>SKU</b>	<b>DESCRIPTION</b>	<b>QTY.</b>
1	E83147	HOUR METER	1
2	E83570	SCREW, PHILLIPS, 1/4-20 x 1	4
3	E89334	WASHER, FLAT, 1/4	4
4	E81078	WASHER, LOCK, 1/4	4
5	E81068	WASHER, FENDER, 1/4	2
6	E83425	SCREW, PHILLIPS, 1/4-20 x 1	2
7	E83141	BUMPER	1
8	E81397	COVER, MOTOR, BURGANDY, LOW SPEED	1
9	E83144	WHEEL, 5 INCH	2
10	E83145	WASHER, NYLON	2
11	E83269	WASHER, SPRING, 1/2	2
12	E83143	CAPS, AXLE, 0.5	2
13	E83379	AXLE, 1/2 x 13.875	1
14	E81067	WASHER, LOCK, 5/16	4
15	E81062	WASHER, FLAT, USS, 5/16	4
16	E83641	BOLT, HEX, 5/16-18 x 1.5	4
17	E81129	BASE, 20 INCH, LOW SPEED	1
18	E83191	MOTOR, 1.5 HP, AC	1
17B	E81127	BASE, 17 INCH, LOW SPEED	1
18B	E81106	MOTOR, 1.5 HP, DUAL SPEED	1
Not Shown	E85429	Start Capacitor, 300V-AC 450 MFD	1
Not Shown	E85430	Run Capacitor, 250V-AC 60 MFD	1
Not Shown	E85415	Gearbox Coupler	1

# MOTOR COVERS

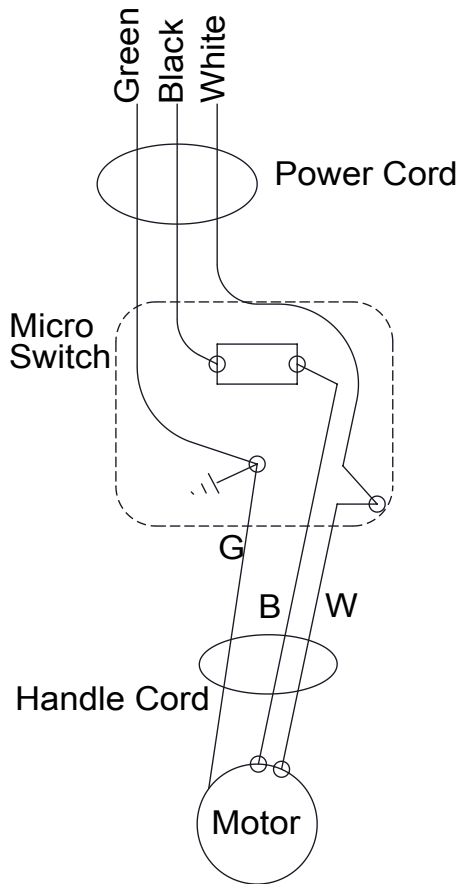


ITEM	SKU	DESCRIPTION	QTY.
1	E83642	COVER, MOTOR, RED, LOW SPEED	1
2	E83570	SCREW, PHILLIPS, 1/4-20 x 1	4
3	E89334	WASHER, FLAT, 1/4	4
4	E81078	WASHER, LOCK, 1/4	4

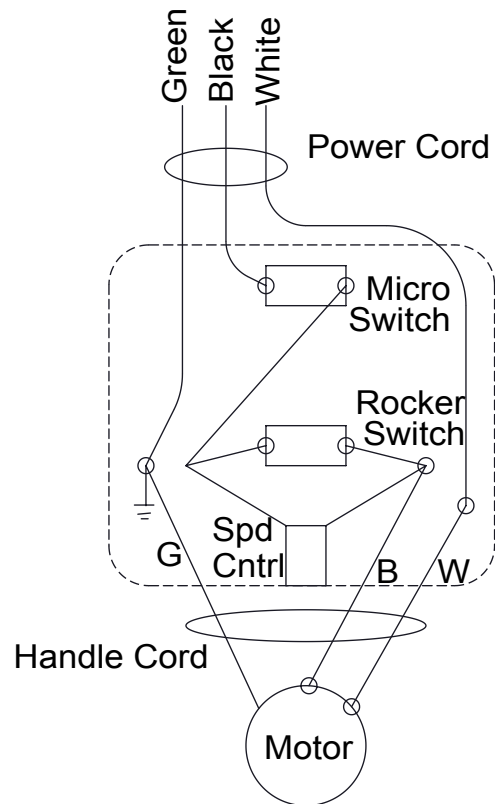


ITEM	SKU	DESCRIPTION	QTY.
1	E81140	COVER, MOTOR, 9" OD x 1.65 TALL	1
2	E81526	SCREW, PHILLIPS, 10-32 x .5 TRUSS HEAD	3

# ELECTRICAL



**Standard Machines**



**Two Speed Machines**



## Betco Warranty Express Program™ Revised November 1, 2006

### **10 Year Coverage**

Subject to the conditions stated below, Betco Corporation warrants parts and labor on rotationally molded polyethylene tanks/housings and injection molded vacuum head assemblies to be free from defects in materials and workmanship for a period of ten years to the original purchaser.

### **3 Year Coverage**

Subject to the conditions stated below, Betco Corporation warrants parts and labor on all other Betco components to be free from defects in materials and workmanship for a period of three years to the original purchaser.

### **1 Year Coverage**

Subject to the conditions stated below, Betco Corporation offers a limited warranty on parts and labor on the following equipment, parts and accessories to be free from defects in material and workmanship for a period of one year to the original purchaser.

- DM Series Vacuums:  
#85506-00, #85507-00
- Bac Pac Lite Vacuum:  
#85903-00
- FiberPRO® Floor Dryer:  
#85507-00
- WORKMAN™ Series Vacuums:  
#85024-00, #85025-00,  
#85026-00, #85027-00
- CV100T Vacuum:  
#85023-00
- All Tools and Accessories
- All Battery Chargers
- All Batteries are pro-rated for 1 year.

### **Allowable Travel Time Warranty Reimbursement:**

Eligible equipment: All battery and propane powered equipment products.

Warranty period: 90 days from date of sale to the original purchaser. A maximum 60 mile round trip at 44 cents per mile will be allowed for warranty consideration.

### **Propane Machine Warranty:**

Honda engines are warranted by Honda for a period of 2 years against manufacturer defect. Kawasaki engines are warranted by Kawasaki for a period of 2 years against manufacturer defect. All other components (except wear items)\* are warranted by Betco Corporation for a period of 3 years.

### **\*Wear items exempt from warranty consideration include but may not be limited to: power cords, transport wheels, vacuum bags, belts, squeegee blades, pad drivers, clutch plates, handle grips, filters, screens, throttle cables, brushes and carbon brushes.**

Subject to the conditions and exceptions stated in this warranty, Betco warrants the Betco products to be free from defects in material and workmanship, under normal use and service, for the periods listed under the warranty policy to the original purchaser. At any time during the warranty period, Betco will furnish replacement parts for the Betco products to the original purchaser. Such parts will be furnished and charged including transportation costs, to the original owner through any Betco authorized Service Distributor. If the original part is returned within the warranty policy period from date of delivery for inspection by Betco and is found to be defective, the owner will be credited for the cost of replacement parts plus shipping and handling. Replacement parts that have become defective through wear or abuse are not included in this warranty.

This warranty does not apply to damage or defect caused by accident, misuse, negligence, fire or to any Betco product which has been serviced or repaired by other than an authorized Betco Service Distributor or Betco factory personnel. This warranty is void if products are used for any purpose other than that which was intended. There are no other warranties expressed or implied. In no event shall Betco be liable for incidental or consequential damages or any damage to person or property. (Please note some states do not allow the exclusion or limitations for incidental and consequential damages.)