



E85263-00



# CREWMAN™

## Dust Control 20" Battery Burnisher

**NEW!**



*Features highly effective dust control and sealed maintenance free AGM batteries, providing for a healthier environment.*

# CREWMAN™

## Dust Control 20" Battery Burnisher



Easy access to change floor pad



Floating shroud prevents dust from escaping into the air



Features an onboard charger and maintenance free batteries

*Betco's Crewman Dust Control Battery Burnisher delivers 2000 rpm's providing a high level and consistent burnish response. Featuring maintenance free batteries and an onboard charger, this machine is easy to operate and maintain. Its compact size and highly effective dust control system makes it perfect for use in schools, hospitals and retail environments.*

### #E85263-00 CREWMAN™ Dust Control 20" Battery Burnisher Technical Specifications

**Burnish path:** 20"

**Pad size:** 20"

**Motor:** 2.5 hp

**Motor speed:** 2000 rpm

**Pad driver:** Flexible

**Center lock:** Threaded

**Volts:** 36-volt

**Battery:** (3) Maintenance free, 12-volt, 140 ah, AGM

**Run time:** Up to 2.5 hours

**Charger:** Onboard, high frequency computer controlled

**Battery/hour meter:** Yes, BDI computer controlled

**Key switch:** Yes

**Main power light:** Yes

**Safety switch:** Yes

**Construction:** Powder coated steel frame, plated steel handle

**Main Wheels:** (2) 8" non-marking

**Rear Wheels:** (3) 4" non-marking

**Length:** 41"

**Width:** 22"

**Height:** 39"

**Weight:** 326 lbs w/batteries

**Productivity:** Up to 20,000 sq.ft/hr.

#### Betco Product Recommendations:



Prior to burnishing, use Betco One Step cleaner/restorer



For daily burnishing, use a Betco Hi-Shine Light Pad

### Betco Warranty Express



Backed by an industry leading warranty, Betco equipment is built to provide years of reliable service. Betco Warranty Express is a comprehensive product support program that offers extensive 10/3/1\* parts and labor coverage on all machines.

\*For 10/3/1 coverage details view our entire warranty policy at [betco.com](http://betco.com).

Authorized Betco Distributor

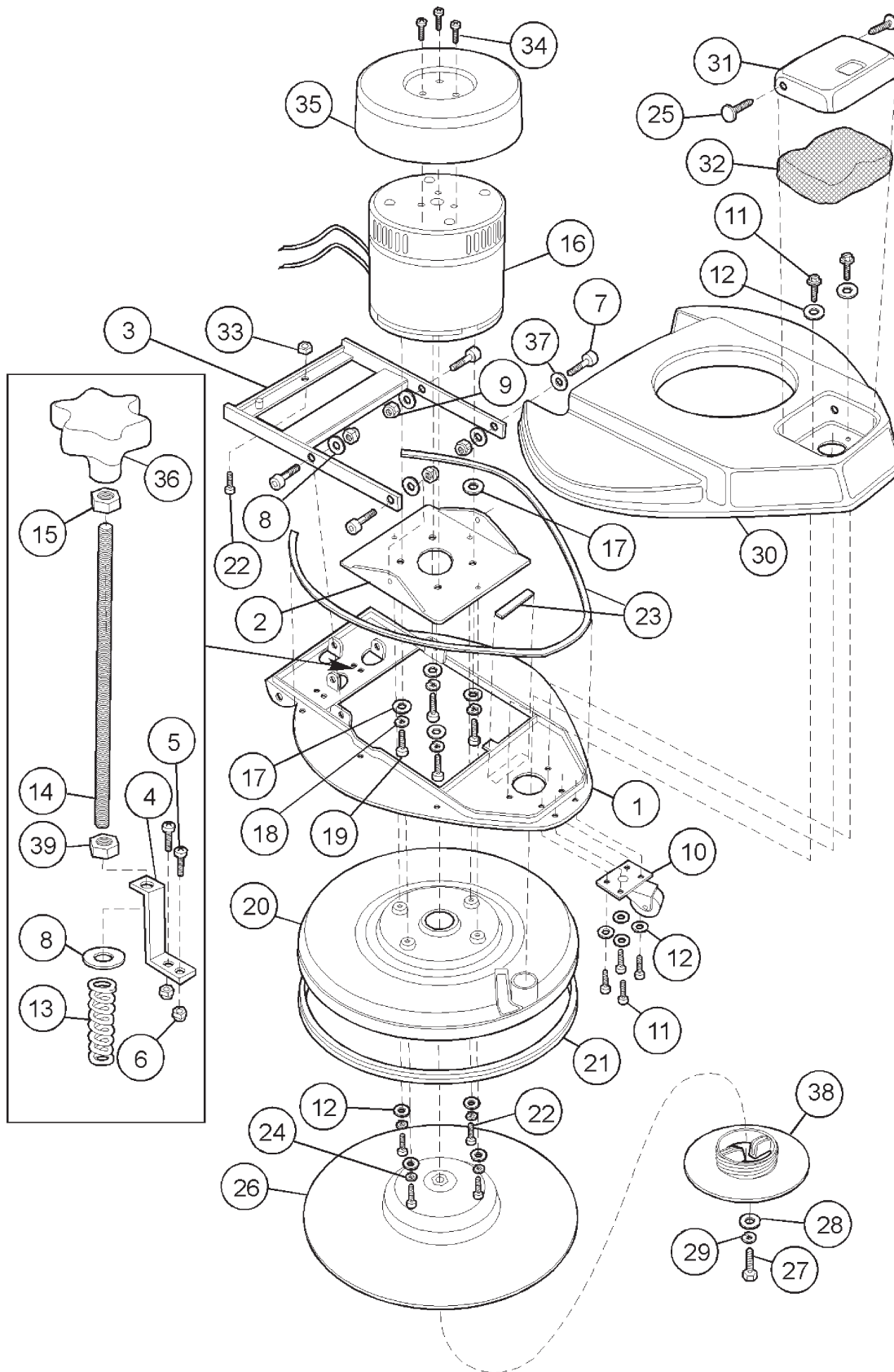
888-GO BETCO  
[www.betco.com](http://www.betco.com)

**BETCO®**

The Cleaning Edge™

©2007 Betco Corporation  
All Rights Reserved.  
1001 Brown Avenue  
Toledo, Ohio 43607-0127  
888-462-3826  
[email@betco.com](mailto:email@betco.com)  
Item #91281-92

# CREWMAN™ DUST CONTROL BATTERY BURNISHER PARTS

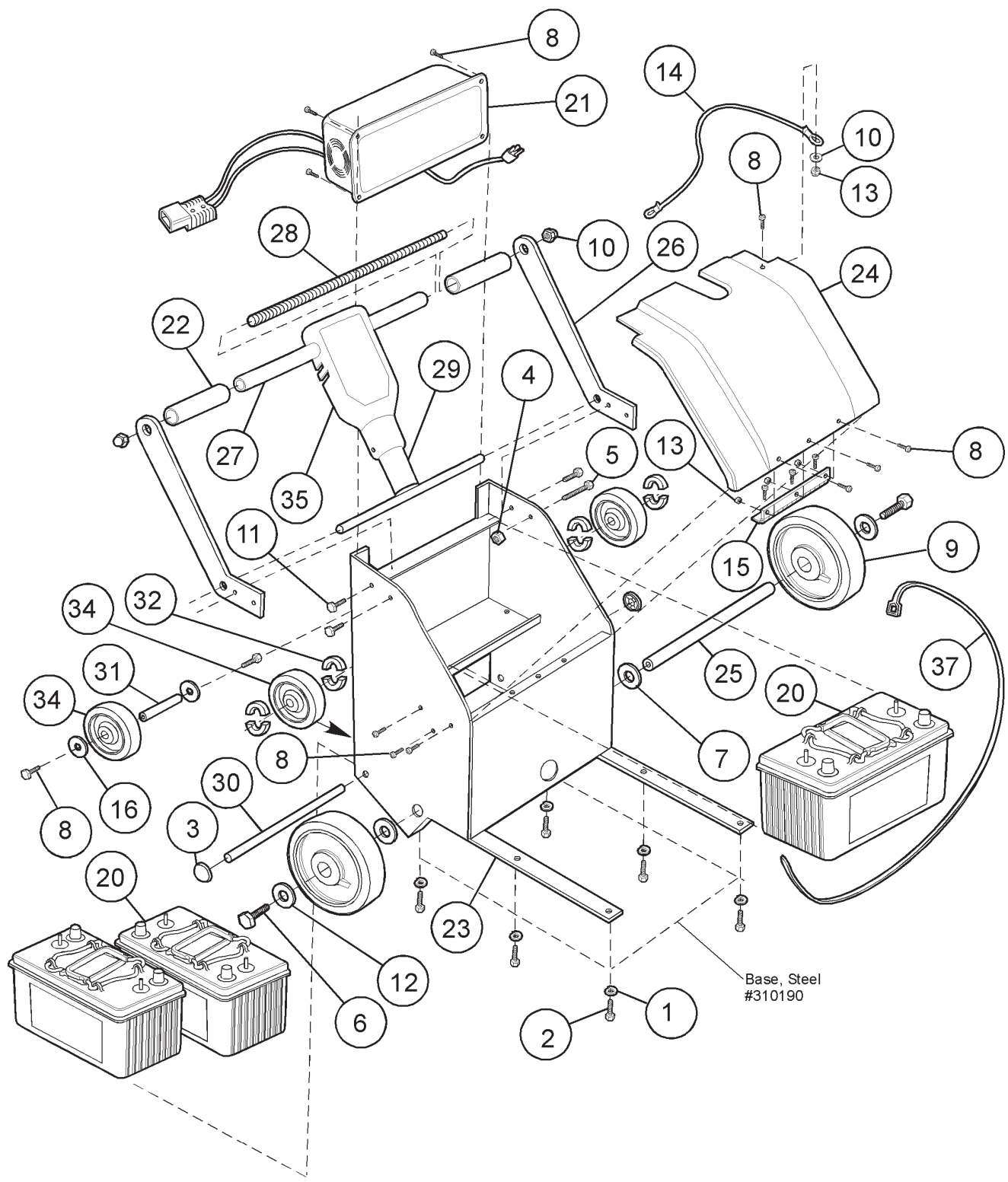


# CREWMAN™ DUST CONTROL BATTERY BURNISHER PARTS

Part #	Description
E010457	Felt
E010717	Washer, 1/4" USS, Zinc
E083520	Nut, 1/4" - 20 Nylon lock, Grade 5, Zinc
E086113	Bumper, Polyurethane, Hardness 60 - 70 A, Hemispherical, 0.70 W x 0.38 H
E087992	Washer, Rubber 70 Dur. Neoprene, 1/2" ID x 1-3/8" OD x 1/8" T
E087993	Spacer, 1/2" OD, 3/4" Length, 1/4" ID, Zinc, Steel Unthreaded
E087994	Screw, 1/4" - 20 x 1-1/4, Gr. 5 Hex Head, Zinc
E087995	Screw, Shoulder 5/16" x 7/8" L Steel, 1/4" - 20 Allen Head
E087996	Bushing, Drill, Steel Press-Fit 5/16" ID x 1/2" OD x 1/4" L
E087997	Washer, Rubber 70 Dur. Neoprene, 0.290" ID x 11/16" OD x 0.093" T
E087998	Washer, Rubber 70 Dur. Neoprene, 1/2" ID x 1-1/4" OD x 1/4" T
E087999	Grommet, 1/8" W x 1/2" Groove, Z-1060, 70 Dur. Neoprene

ref#	Part#	NU#	Description
1	E281177	310190	Base Steel
2	E281174	310191	Plate Motor Mount
3	E281173	310192	Bracket, Dust Control Burnisher
4	E281172	310193	Bracket, Spring Adjustment
5	E281089	110122	Bolt, 5/16 - 18 X 3/4"
6	E281063	110148	Nut, 5/16" Nylok
7	E281085	110275	Bolt, Shoulder 1/2 x 3/8
8	E283145	110103	Washer, 1/2" Nylon
9	E281076	110276	Nut, 3/8 Nylok Thin
10	E281126	310199	Wheel, Caster 2.5"
11	E281082	110274	Bolt, 1/4 - 20 X 3/8 with patch
12	E281713	110142	Washer, Flat 1/4"
13	E281132	110273	Spring, 4"
14	E281275	310223	Rod, Threaded 1/2-13 15.875 in.
15	E281079	110293	Nut, 1/2"-13 Jam
16	E281107	210169	Motor, 2.5 HP 36V 2000 rpm
17	E281062	110119	Washer, Flat 5/16" USS
18	E281066	110124	Washer, Lock 3/8" Split
19	E281080	110125	Bolt 3/8 - 16 x 3/4" Gr 5
20	E281144	310195	Shroud, Dust
21	E283657	310202	Brush, Extrusion, Skirt DC Burnisher
22	E283425	110150	Screw 1/4-20 x 3/4
23	E281604	110338	Gaskets, 3/4 x 1/4 x4" & 54"
24	E281078	110143	Washer, Lock 1/4" Split
25	E281071	110205	Plug, Plastic ratchet 5/16"
26	E281149	310200	Pad Driver DC Burnisher
27	E281072	110152	Bolt 5/16 X 1"
28	E281062	110119	Washer, Flat USS 5/16"
29	E281067	110120	Washer, Lock 5/16" Split
30	E281587	310213	Cover Base, DC battery Burnisher Rev A
31	E281143	310203	Cover, Dust Bag DC Burnisher
32	E283788	310204	Bag, Dust, Cloth
33	E281070	110319	Nut, 1/4 x 20 Nylock
34	E281523	110227	Screw, 8-32 x 3/8 Ph Tr Hd
35	E281141	310152	Cover, Motor
36	E281229	110279	Knob, black, DC Burnisher
37	E283269	110168	Washer, Spring 1/2 in.
38	E281150	310108	Pad Holder, for replacement only
39	E281088	110277	Nut, 1/2 x 13 thin nylock

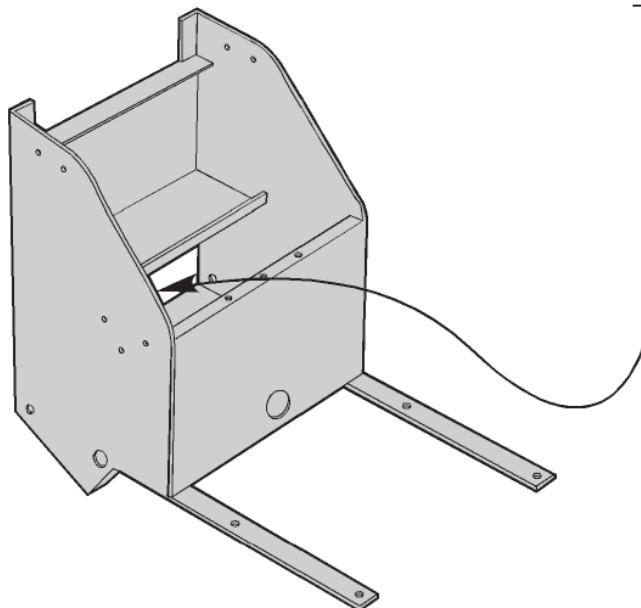
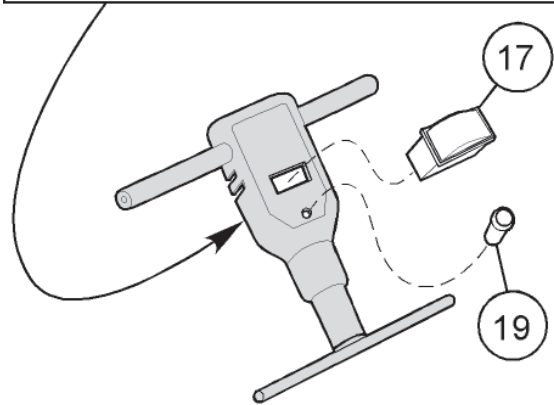
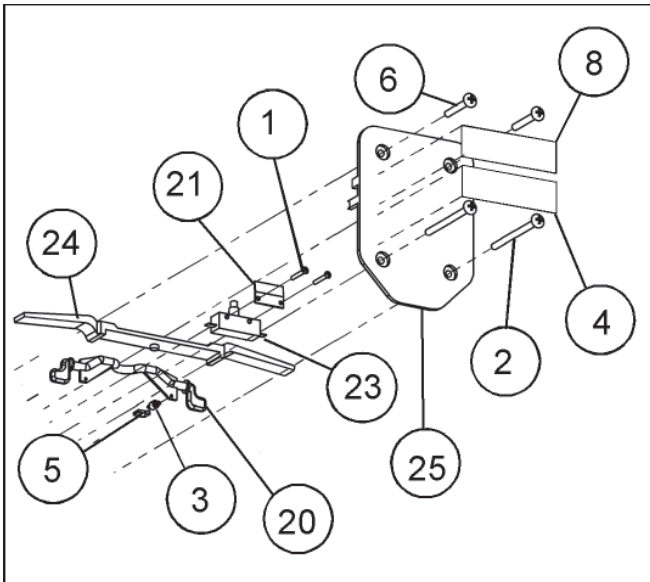
# CREWMAN™ DUST CONTROL BATTERY BURNISHER PARTS



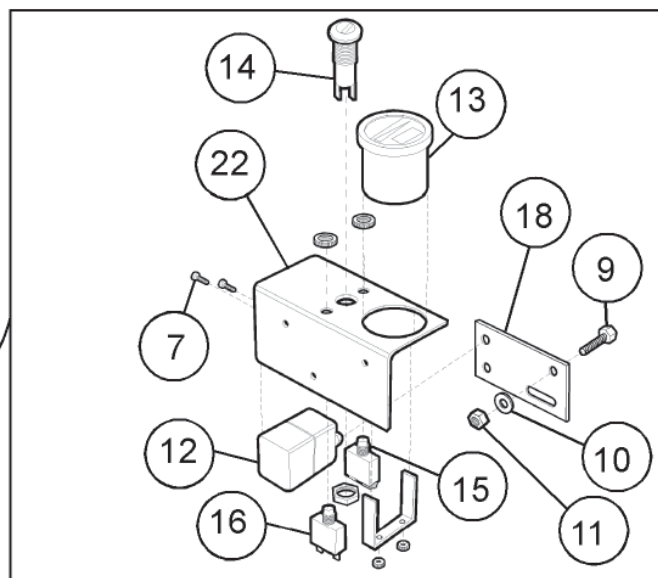
# CREWMAN™ DUST CONTROL BATTERY BURNISHER PARTS

ref#	Part#	NU#	Description
1	E281067	110120	Washer, Lock 5/16" split
2	E281089	110122	Bolt, 5/16-18 x 1/2 hex zn gr 5
3	E283143	110144	Axle Cap, 1/2 in.
4	E281063	110148	Nut, 5/16-18 Nylok
5	E281072	110152	Bolt, 5/16-18 x 1 hex zn gr 5
6	E281064	110178	Bolt, 1/4-20 x 3/4 hex zn gr 5
7	E281061	110289	Washer, 3/4" I.D. x 1.25" O.D. x .075"
8	E281074	110290	Screw 10-24 x 1/2 truss head phillips
9	E281123	110315	Wheel, 8 in. w/Prec.Bearing for 3/4 in. Axle
10	E281095	110330	Nut, Cap 1/2-13 Z/P
11	E281097	110331	Bolt, 5/16-18 x 1/2 hex zn gr 5
12	E281617	110337	Washer, 1/4" I.D. x 1" O.D. Z/P
13	E281584	110340	Nut, 10-24 Hex
14	E281590	110341	Lanyard Style B - FPC-24N
15	E281586	110342	Hinge, 10 x 1.5
16	E281713	110142	Washer, 1/4" Flat
17	E281756	110358	Battery Hold Down, 1 1/4 x 2 x 1/4 in. Black ABS
18	E281757	110359	Battery Hold Down, 2 x 4 x 1/4 in. Black ABS
19	E281759	110360	Nut, 1/4-20
20	E281102	210156	Battery, 12 V 104 AH AGM EV31A-A
21	E281595	210186	Charger 36 v 15 amp SPE
22	E283127	310118	Handle Grip
23	E281179	310210	Frame, Battery Burnisher, DC Rev G.
24	E281146	310212	Cover, Top
25	E281598	310217	Axle, .75 in. x 19.75 in.
26	E281175	310221	Bracket, Handle DC Brunisher, Battery
27	E281058	310222	Handle Tube 7/8 x 14.375
28	E281275	310223	Rod, Threaded 1/2 - 13 x 15.875
29	E281057	310224	Handle Tube Weldment
30	E281602	310230	Axle, .50 in. x 15.375 in.
31	E281599	310231	Axle, .50 in. x 2.25 in.
32	E281400	510151	Collar, 1/2 in. I.D. CTC 114
33	E281865		Rod, Threaded 1/4 - 20 x 9 3/4
34	E281125	310112F	Wheel, 4 in Flat
35	E281569	310229B	Switch Box, Battery Burnisher
36	E283520	110115	Nut, 1/4-20 Nylok
37	E286157		Wire Tie
38	E081604	110338	Gaskets, 3/4" x 1/4" x 4"

# CREWMAN™ DUST CONTROL BATTERY BURNISHER PARTS

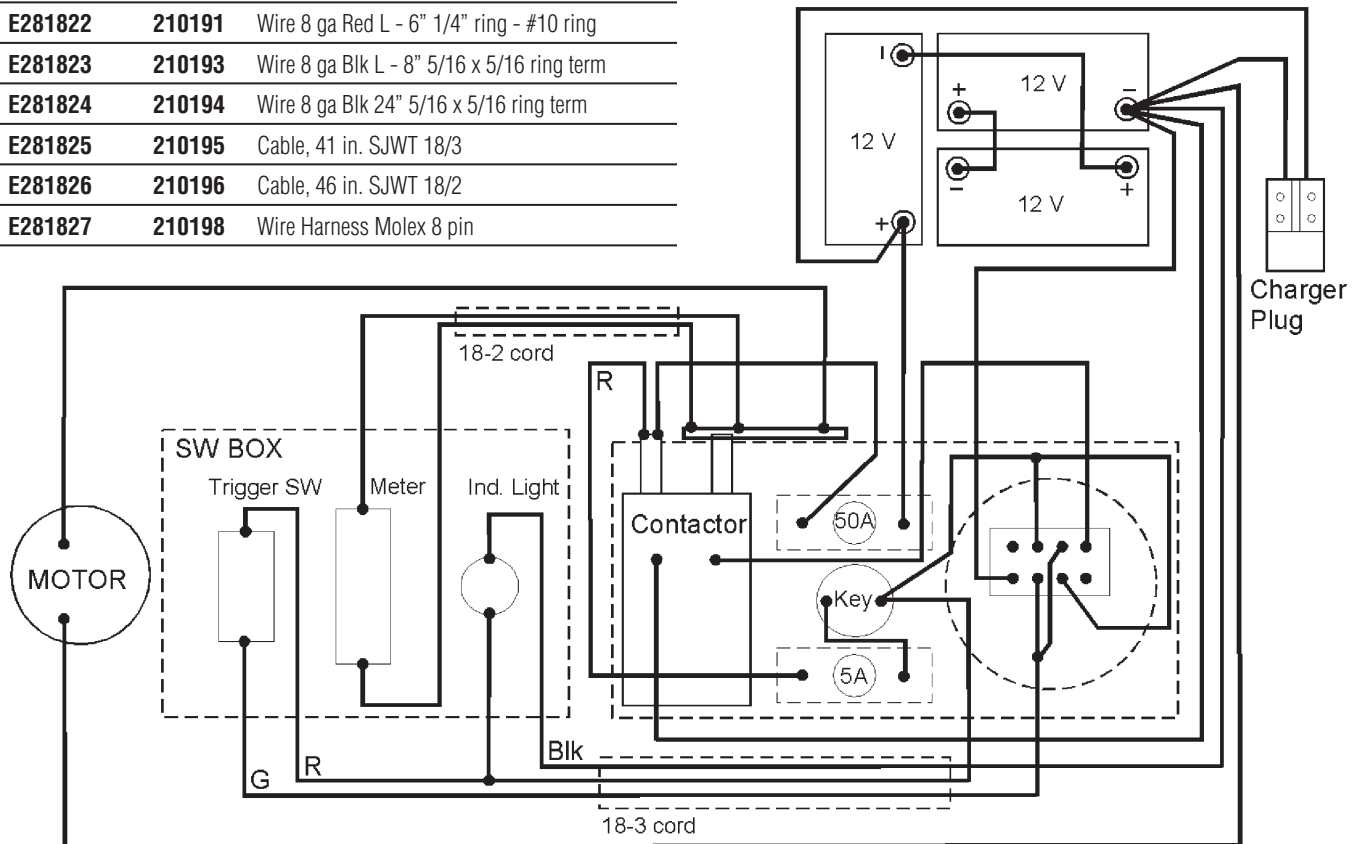


ref#	part#	NU#	description
1	E283427	110116	Screw #6 x 1
2	E283426	110140	Screw, 1/4 - 20 X 1 3/4
3	E283130	110149	Spring
4	E283691	110159	Decal, safety
5	E283270	110163	Spring clip
6	E281099	110329	Screw, 1/4 - 20 X 1
7	E281843	110366	Screw M4 x 7mm Ph Zn
8	E281180	110355	Decal, Serial#/ made in USA
9	E281760	110361	Bolt, Brass 1/4-20 x 1/2, HX 25CHCSB
10	E281761	110362	Washer, Brass 1/4 25NWFLB0100
11	E281842	110365	Nut, 1/4-20 HX Brass
12	E281528	210170	Contactora 36 v ETL10P
13	E281592	210179	Battery Discharge Ind. & Hour meter
14	E281594	210181	Key switch
15	E281596	210182	Circuit Breaker 50 amp
16	E281597	210183	Circuit Breaker 10 amp
17	E281588	210184	Meter 50 mv 1-50 amp, scale green 0-40
18	E281589	210185	Shunt, 50 amp, 50 mv
19	E281278	210187	Pilot Light 36 v
20	E283129	310119	Safety Lock
21	E281105	310153	Plate, Switch
22	E281178	310216	Bracket, Hour Meter, switches
23	E285032	210102A	Switch
24	E282749	310120B	Trigger, switchbox
25	E282751	310121B	Cover, switchbox - black



<i>part#</i>	<i>NU#</i>	<i>description</i>
E281819	210188	Wire 18 ga Red L - 2.5" 1/4 x 1/4 F tabs
E281820	210189	Wire 18 ga Red L - 6" 1/4 ring - 1/4" F tab
E281821	210190	Wire 8 ga Red L - 22" 5/16 ring x #10 ring
E281822	210191	Wire 8 ga Red L - 6" 1/4" ring - #10 ring
E281823	210193	Wire 8 ga Blk L - 8" 5/16 x 5/16 ring term
E281824	210194	Wire 8 ga Blk 24" 5/16 x 5/16 ring term
E281825	210195	Cable, 41 in. SJWT 18/3
E281826	210196	Cable, 46 in. SJWT 18/2
E281827	210198	Wire Harness Molex 8 pin

ELECTRICAL SCHEMATIC



### Battery Burnisher Set Up

1. Remove the hardware from the Manual bag.
2. Raise the handle to the operating position and fasten with the two 1" x 5/16" bolts.
3. Tighten the other two bolts securely
4. Hook the lanyard on the 1" bolt on left side of the machine and fasten it with the Ny-Lok nut supplied.
5. Cut the bands, remove the wheel chocks, lean the machine back so that the small wheels are touching the pallet, roll the machine forward and lower the large wheels to the floor. Tip the machine up into the operating position.
6. The machine is equipped with the high speed burnishing pad that was used in testing the machine and is ready to run. Check to see that the center lock is tight
7. To change the pad when needed tip the machine back so it rests on the small wheels. See the operator's manual below for complete pad installation instructions.
8. Connect the positive + cable to the + post on the upper battery.
9. Remove the key from the manual bag and insert it in the key switch located under the battery box cover.
10. To operate the machine turn on the key switch, release the safety lock and squeeze the trigger on the handle.
11. The machine should be operated just at the top of the green on the meter.
12. There is a pressure adjustment knob under the cover, turn clockwise to remove pressure and lower the amp draw.

### Pad Installation Instructions

1. Use only 19" or 20" diameter pads. Light hair pads work well.
2. Turn the key switch off
3. Tip the machine all the way back
4. Remove the center lock
5. Center the pad on the pad holder, feel around the edges to be sure the pad is centered.
6. Install the pad center lock with the black gripper ring to hold the pad. Tighten it securely.
7. Tip the machine up and Press down on top of the motor to help seat the pad on the pad driver.
8. Operate the machine.
9. If you experience excessive vibration, check the pad for centering and for either lumps or dips in the outer edge of the pad.



## Maintenance

To maintain appearance - wipe the machine with a damp cloth after use.

Warning - Unplug the machine charger before servicing

The operator should check the following at 250 hour intervals:

1. Check the motor brushes for wear or excessive arcing.
2. Check the cord and electrical system.
3. Check the safety lockout on the trigger.
4. Check wheels and bearings.
5. Check the Dust shroud and brush seal.
6. Check the Dust bag before each use.

## Safety

Read and understand the manual before operating this machine.

- Do not operate in explosive areas or use near flammable liquids or gases.
- Attach Charger to properly grounded outlet.
- Do not expose to rain, store indoors.
- Do not block or disconnect the safety lever.
- Unplug the machine before servicing.
- Do not put fingers under the pad or pad holder.
- Turn the machine off before installing or removing the pad.
- Use only with Hi Speed Burnishing pads.

## Specifications:

Length - 41 in.  
Width - 22 in.  
Height - 38 in.  
Weight - 390 Lbs.  
Pad Speed - 2000 RPM  
Pad Diameter - 20 in.  
Drive motor - 2.5 HP, 36v, 40 A,  
Batteries - 3 ea. 114 AH AGM

## BETCO US WARRANTY POLICY

### 10 Year Coverage

Subject to the conditions stated below, Betco warrants parts and labor on rotationally molded polyethylene tanks/housings and injection molded vacuum head assemblies to be free from defects in materials and workmanship for a period of ten years to the original purchaser.

### 3 Year Coverage

Subject to the conditions stated below, Betco warrants parts and labor on all other Betco components to be free from defects in materials and workmanship for a period of three years to the original purchaser.

### 1 Year Coverage

Subject to the conditions stated below, Betco offers a limited warranty on parts and labor on the following equipment, parts and accessories to be free from defects in material and workmanship for a period of one year to the original purchaser. DM Series Vacuums: #85506-00, #85507-00 Bac Pac Lite Vacuum: #85903-00 FiberPRO® Floor Dryer: #85507-00 WORKMAN™ Series Vacuums: #85024-00, #85025-00, #85026-00, #85027-00 CV100T Vacuum: #85023-00. All Tools and Accessories/All Battery Chargers/All Batteries are pro-rated for 1 year.

### Allowable Travel Time Warranty Reimbursement

Eligible equipment: All battery and propane powered equipment products. Warranty period: 90 days from date of sale to the original purchaser. A maximum 60 mile round trip at 44 cents per mile will be allowed for warranty consideration.

### Propane Machine Warranty:

Honda engines are warranted by Honda for a period of 2 years against manufacturer defect. Kawasaki engines are warranted by Kawasaki for a period of 2 years against manufacturer defect. All other components (except wear items)\* are warranted by Betco for a period of 3 years.

**\*Wear items exempt from warranty consideration include but may not be limited to: power cords, transport wheels, vacuum bags, belts, squeegee blades, pad drivers, clutch plates, handle grips, filters, screens, throttle cables, brushes and carbon brushes.** Subject to the conditions and exceptions stated in this warranty, Betco warrants the Betco products to be free from defects in material and workmanship, under normal use and service, for the periods listed under the warranty policy to the original purchaser. At any time during the warranty period, Betco will furnish replacement parts for the Betco products to the original purchaser. Such parts will be furnished and charged including transportation costs, to the original owner through any Betco authorized Service Distributor. If the original part is returned within the warranty policy period from date of delivery for inspection by Betco and is found to be defective, the owner will be credited for the cost of replacement parts plus shipping and handling. Replacement parts that have become defective through wear or abuse are not included in this warranty. This warranty does not apply to damage or defect caused by accident, misuse, negligence, fire or to any Betco product which has been serviced or repaired by other than an authorized Betco Service Distributor or Betco factory personnel. This warranty is void if products are used for any purpose other than that which was intended. There are no other warranties expressed or implied. In no event shall Betco be liable for incidental or consequential damages or any damage to person or property. (Please note some states do not allow the exclusion or limitations for incidental and consequential damages.)



1001 Brown Avenue • Toledo, Ohio 43607-0127

Customer Service: 888-GO-BETCO • Fax: 800-445-5056 • Technical Service: 877-856-5954 • www.betco.com

E85263-00 July09P