



E83025-00



CREWMAN™ AS20B

20" Dual Brush
Automatic Scrubber



Designed compact and highly maneuverable to bring the benefits of automatic scrubbing to small and congested areas.

CREWMAN™ AS20B 20" Dual Brush Automatic Scrubber



Dual brushes maximize scrubbing performance



Weighted squeegee provides effective water recovery



Noise reducing foam on vac motor achieves a low 65 dB

Betco's Crewman AS20B Automatic Scrubber is perfect for cleaning small and congested areas. Extremely quiet, this machine is ideal for use in the education, retail and healthcare markets including occupied spaces.

#E83025-00 CREWMAN™ AS20B Technical Specifications

Cleaning path: 20"	Noise level: 65 dB at operator	Construction: Powder coated steel frame, roto-mold tanks
Brush size: (2) 10"	Solution control: Gravity feed, adjustable	Length: 43"
Brush motor: (1) 0.5 hp	Solution tank: 10 - gallon	Width: 22"
Brush pressure: 50 lbs, floating	Recovery tank: 11- gallon	Width w/squeegee: 26"
Brush speed: 140 RPM	Volts: 24-volt	Height: 38"
Pad driver: Flexible	Batteries: (2) 12-volt, 140 ah	Weight: 152 lbs
Vacuum motor: 0.5 hp	Run time: Up to 3 hours	Weight w/batteries: 282 lbs
Water lift: 40"	Battery/hour meter: Yes	Productivity: Up to 15,000 sq.ft/hr.

Betco Product Recommendations:



For daily cleaning use Betco Daily Scrub SC



Prior to burnishing use Betco One Step cleaner/restorer

Betco Warranty Express

Backed by an industry leading warranty, Betco equipment is built to provide years of reliable service. Betco Warranty Express is a comprehensive product support program that offers extensive 10/3/1* parts and labor coverage on all machines.

*For 10/3/1 coverage details view our entire warranty policy at betco.com.

Authorized Betco Distributor

888-GO BETCO
www.betco.com



The Cleaning Edge™

©2008 Betco Corporation
All Rights Reserved.
1001 Brown Avenue
Toledo, Ohio 43607-0127
888-462-3826
email@betco.com
Item #83025-92

SUMMARY

ON CONSIGNMENT OF THE MACHINE	24
INTRODUCTORY COMMENT	24
TECHNICAL DESCRIPTION	24
SYMBOLGY USED ON THE MACHINE	25
SYMBOLGY USED IN THE MANUAL	26
MACHINE PREPARATION	27
HANDLING OF THE PACKED MACHINE	27
HOW TO UNPACK THE MACHINE	27
BATTERY TYPE	28
INSTALLING THE BATTERIES	28
CONNECTING THE BATTERY CHARGER	28
BATTERY CHARGER	29
BATTERY CHARGE LEVEL GAUGE	29
INSTALLING THE SQUEEGEE	29
SQUEEGEE HEIGHT ADJUSTING	30
SQUEEGEE INCLINATION ADJUSTING	30
RECOVERY TANK	30
SOLUTION WATER	30
INSTALLING THE SPLASH-GUARD	31
INSTALLING THE BRUSH 42-52	31
BRUSH ASSEMBLY ABILA 17	32
GENERAL SECURITY RULES	33
WORK	34
WORK PREPARATION	34
OVERFLOW DEVICE	35
TRACTION	35
UPON COMPLETION OF WORK	36
DAILY MAINTENANCE	37
RECOVERY TANK CLEANING	37
SUCTION FILTER CLEANING	37
SQUEEGEE CLEANING	37
BRUSHES DISASSEMBLY ABILA 42 52	38
BRUSHES DISASSEMBLY ABILA 17	38
CLEANING SOLUTION FILTER	38
WEEKLY MAINTENANCE	39
CLEANING SQUEEGEE HOSE	39
CLEANING SOLUTION TANK	39
REAR SQUEEGEE RUBBERS REPLACEMENT	39
WORKING CONTROL	40
INSUFFICIENT WATER TO THE BRUSHES	40
THE MACHINE DOES NOT CLEAN PROPERLY	40
THE SQUEEGEE DOES NOT DRY PERFECTLY	40
FOAM OVER-FORMATION	40
CHOICE AND USE OF BRUSHES	41

On consignment of the machine

When the machine is consigned to the customer, an immediate check must be performed to ensure all the material mentioned in the shipping documents have been received and moreover to find out that the machine has not suffered damage during transportation. If damage has occurred, get the shipping agent to verify immediately the amount and nature of the damage suffered and at the same time inform our claim department. It is only by prompt action of this type that compensation for damage may be successfully claimed.

Introductory comment

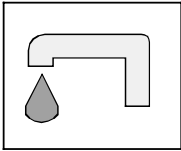
This is a sweep-scrubbing machine which, using the mechanic abrasive action of two rotary brushes and the chemical action of a solution water-detergent, is able to clean any type of floor, picking up during its advance movement, the removed dirt and the detergent solution which has not been absorbed from the floor.

The machine must be used only for such purpose. We would impress upon you that any machine will function efficiently and operate successfully, only if used correctly and maintained in fully efficient working order. We therefore suggest you to read this instruction booklet carefully and re-read it whenever difficulties arise in the course of machine use. Our Service Department is at your disposal for all such advice and servicing as may prove necessary.

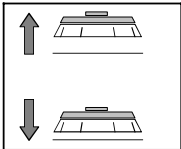


TECHNICAL DESCRIPTION	U/M	ABILA 17	ABILA 42	ABILA 52
Cleaning width	Mm	420	400	500
Squeegee width	Mm	660	660	660
Working capacity, up to	Sqm/h	1470	1400	1750
Brushes diameter	Mm	1x420	2x210	2x255
Brushes speed	Rpm	140	340	275
Brushes pressure	Kg	20 max	20 max	22 max
Brush motor, nominal power	W	400	400	400
Drive type		semi-aut.	semi-aut.	semi-aut.
Max. movement speed	km/h	3,5	3,5	3,5
Max. gradient		2%	2%	2%
Suction motor, nominal power	W	370	370	370
Suction vacuum	Mbar	100	100	100
Solution tank	L	33	33	33
Recovery tank	L	40	40	40
Machine length	Mm	1060	1060	1100
Machine height	Mm	960	960	960
Machine width (without squeegee)	Mm	455	455	565
Batteries (voltage)	V	24	24	24
Batteries (max. capacity)	Ah	70	70	70
Batteries (compartment)	Mm	360x330x250		
Batteries weight	Kg	40	40	40
Machine weight (empty and without batteries)	Kg	70	70	72
Acoustic radiation pressure level (EN 60704-1)	db (A)	<65	<65	<65
Vibration level	m/sqs	1.00	1.00	1.00

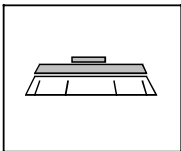
SYMBOLGY USED ON THE MACHINE



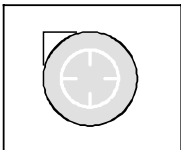
Cock symbol
Indicates the cock lever
Indicates the cock open signal lamp



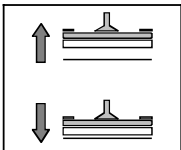
Squeegee base lift/lower symbol
Indicates the base lift lever



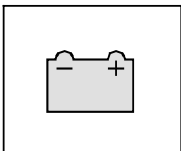
Brush symbol
Indicates the brush motor switch



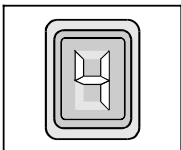
Suction motor symbol
Indicates the suction motor switch



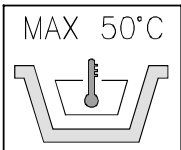
Squeegee lift/lower symbol
Indicates the squeegee lift lever



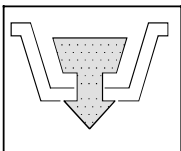
Battery symbol



Indicator of the battery charge level
Indicates also the position of the cock level (switched off = cock closed, switched on = opened cock)

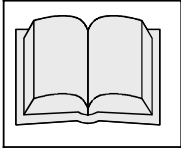


Indicates the detergent solution maximum temperature
It is placed closed to the solution tank inlet opening.



Indicated the recovery tank outlet pipe

SYMBOLGY USED ON THE MACHINE



Open book symbol
Indicates to the operator to read the manual before using the machine.



Hooking symbol
Indicates anchoring points and loading direction.

SYMBOLGY USED IN THE MANUAL



Warning symbol
Carefully read the sections marked with this symbol, for the security of both the operator and the machine.

MACHINE PREPARATION

HANDLING OF THE PACKED MACHINE

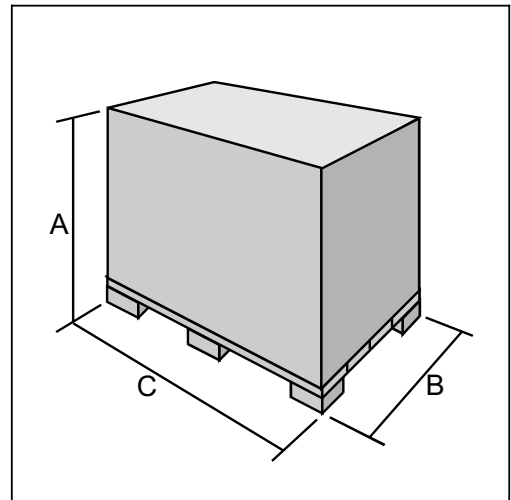
The machine is contained in specific packing with a platform so that a forklift can move it. No more than two packages can be stacked on each other.

The total weight is:

- Abila 42: 136 kg
- Abila 52: 138 kg
- Abila 17: 136 kg

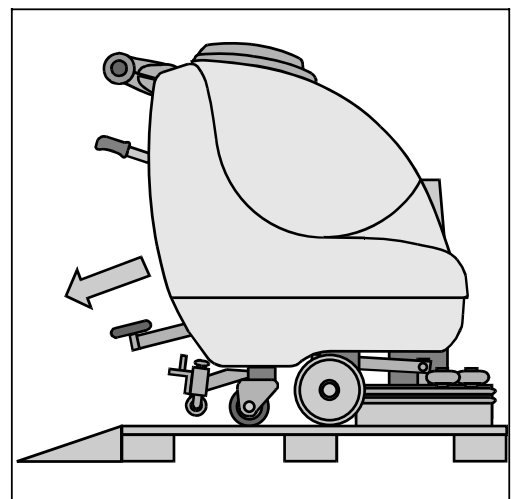
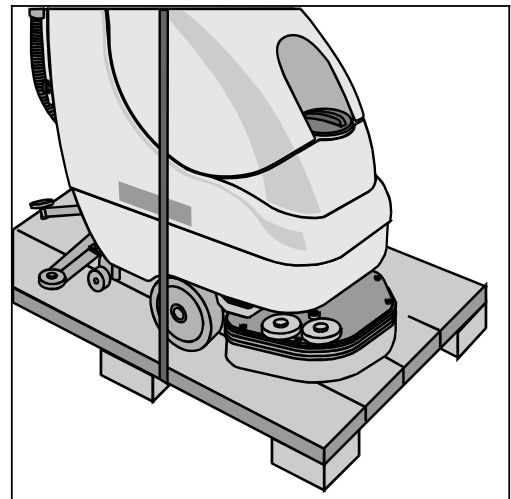
Packing dimensions are the following:

- A** : 1260 mm
- B** : 660 mm
- C** : 1230 mm



HOW TO UNPACK THE MACHINE

1. Remove outer packing.
2. The machine is strapped to its platform.
3. Remove the strap.
4. Use a ramp to lower the machine from the platform, pushing it backward in reverse. Avoid violent blows against the base.
5. Keep the packing platform for future transport necessities.



MACHINE PREPARATION

BATTERY TYPE

For the energy supply of the machine use two:

- lead batteries for traction use and tubular plates and electrolyte free;
 - or battery hermetically sealed for traction recombination of gas with gel technology.
- Every battery is compound of elements that are connected in order to get a voltage of 12 V at the holdfasts.

The max. dimensions of every battery should be: width 195 mm, length 360 mm, height 250 mm.

The max. weight of every of the two batteries should be 20kg.

In order to achieve a tension of 24V the batteries must be connected with a serial connection between them and the connection process has to be carried out by specialised persons, which are trained by a Comac service centre.

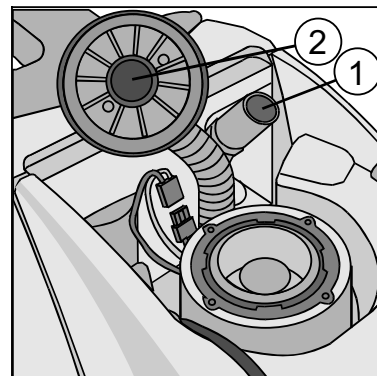
INSTALLING THE BATTERIES

Battery must be housed in the battery compartment below the recovery tank, and must be handled using special hoisting equipment with suitable grasping systems and designed to support the battery weight.

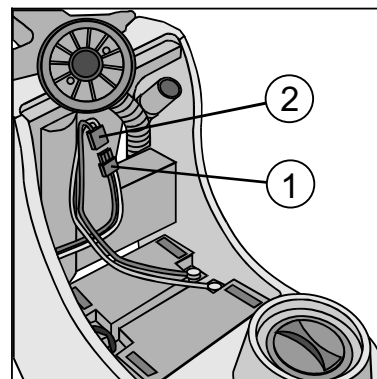
The battery must also conform to the requirements given in CEI 21-5 standards.

Battery installation procedure:

1. Open the recovery tank lid forward.
2. Disconnect the squeegee cable (1) from the recovery tank.
3. Remove the suction cap (2) by turning it in anticlockwise sense.
4. Disconnect the “recovery tank “ outlet pipe from the proper hook.
5. Remove the recovery tank.



6. Place the battery.
7. Connect the battery connector (2) to the machine connector (1).
8. Reassemble everything.



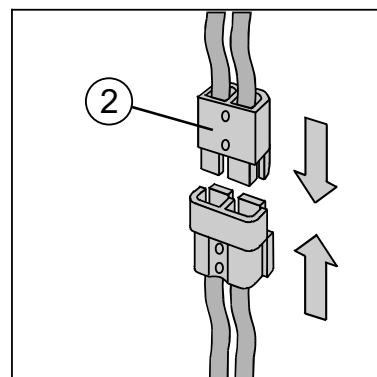
ATTENTION! The installation process has to be carried out by specialised persons.

CONNECTING THE BATTERY CHARGER

The battery connector (2), in which the battery charger connector is to be inserted, is placed under the recovery tank cap. The battery charger connector is delivered inside the bag containing this instruction booklet, and must be fitted to the battery charger cables according to instructions.



ATTENTION! This procedure is to be carried out by specialists. A wrong or defective connection of the cables to the connectors can cause serious damages persons and things.



MACHINE PREPARATION

BATTERY CHARGER

Make sure that the battery charger is suitable to the installed battery, both in capacity and in type (lead/acid or GEL and equivalent).



WARNING! Never charge a GEL battery with an unsuitable battery charger. Strictly follow the instructions provided by the battery and battery charger manufacturer.

In order to avoid permanent damages to the battery, they should never be totally discharged. To do this, they should be recharged within a few minutes after the battery discharge signal starts to flash.

NOTE: Never left the battery completely discharged, not even if the machine is not being used.



ATTENTION! For the daily recharging of the battery it is necessary to strictly follow the instructions provided by the manufacturer or dealer. Specialists must carry out all installing and maintenance procedures. Danger of exhalation of gas and emission of corroding substances. Danger of fire: keep away from flames.

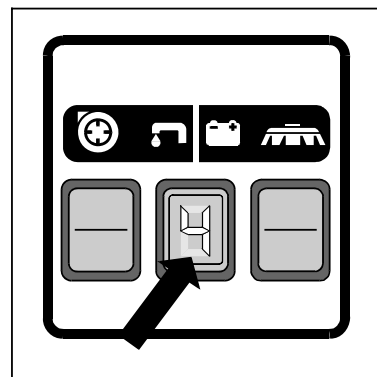
BATTERY CHARGE LEVEL GAUGE

The batteries' indicator is digital with 4 fixed positions and a blinking one. The numbers, which appear on the display, show the approximate charge level.

4 = maximum charge, **3** = charge 3/4, **2** = charge 2/4, **1** = charge 1/4,
0 = (blinking) discharged batteries)

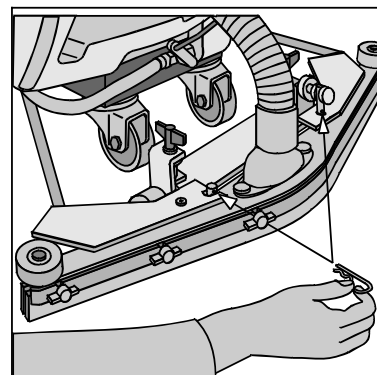


WARNING! Some seconds after that "0" blinks, the brush motor automatically switches off. Anyway, the machine can finish to dry before recharging the batteries.



INSTALLING THE SQUEEGEE

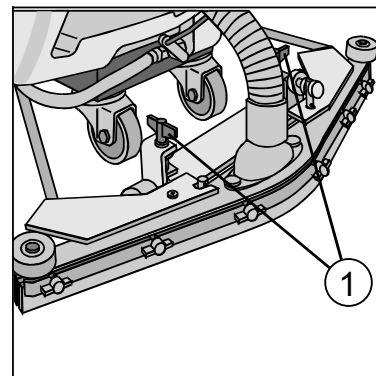
The squeegee is supplied separately from the machine, due to packing reasons. It must be installed as shown in the picture, threading the retaining pin into the squeegee column. Put the squeegee suction tube into its sleeve.



MACHINE PREPARATION

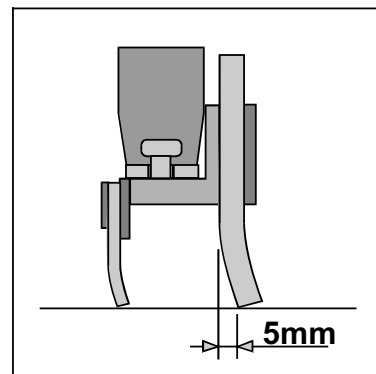
SQUEEGEE HEIGHT ADJUSTING

The squeegee height is to be regulated according to rubbers wearing. To adjust this: rotate the wing nuts (1) anticlockwise to lift the squeegee and clockwise to lower it.
 Note: The right and left wheels must undergo the same regulation, to allow the squeegee to work parallel to the ground.



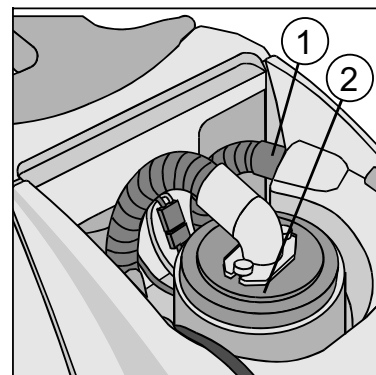
SQUEEGEE INCLINATION ADJUSTING

During the running, the back rubber is to be lightly inclined backwards (about 5 mm, on its whole length). Should it be necessary, you can increase the rubber central inclination by inclining backwards the squeegee body, turning the regulator anticlockwise (1). To increase the bending of the rubber on the squeegee sides, turn the register clockwise. Once the regulation is finished, lock the block nut.



RECOVERY TANK

Open the cover and check if the suction plug (2) is insert correctly and its notches are blocked turning the plug clockwise and is well connected with the hose which leads to the suction motor.
 Furthermore check, that the squeegee hose (1) is well connected and that the exhaust plug at the back of the machine is closed.

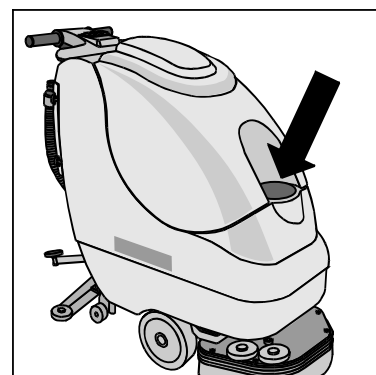


SOLUTION WATER

Fill the solution tank with clean water at a temperature not in excess of 50°C. Add liquid detergent in the amounts and using the procedures recommended by the detergent manufacturer. Use only a minimal percentage of detergent to prevent formation of an excessive quantity of foam, as this could damage the suction motor. Close the cap.



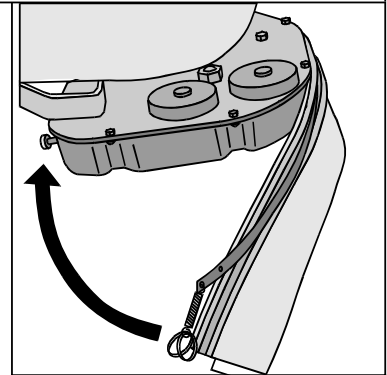
ATTENTION! Always use low-foam detergent. Introduce a small amount of anti-foam detergent in the recovery tank before start working, to be sure to prevent foam formation. **Never use pure acids.**



MACHINE PREPARATION

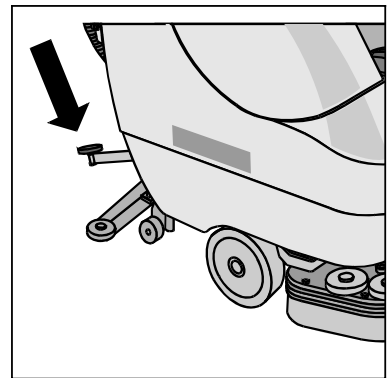
INSTALLING THE SPLASH-GUARD

The splashguard is supplied separately from the machine, for packing reasons, and is to be installed as shown in the picture.



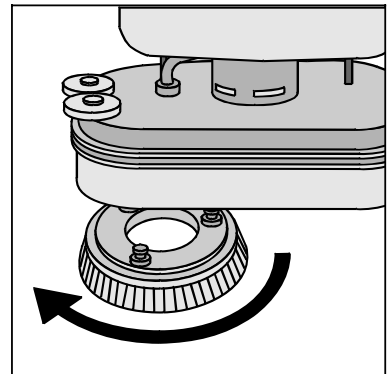
INSTALLING THE BRUSH 42-52

1. Lift the brush base by acting on the pedal.

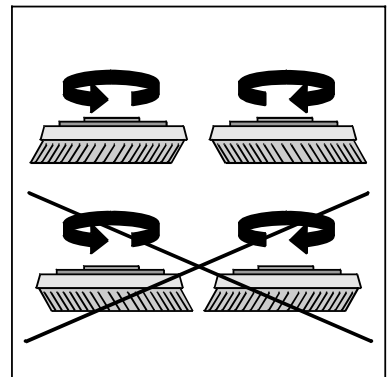


2. Keeping the base lifted, thread the brushes on their seat on the hole under the base, turning them until the three buttons enter the holes in the plate. Snap-shut the button on the coupling spring to block it.

The picture shows the rotation direction just for the right brush: for the left one, turn on the opposite direction.



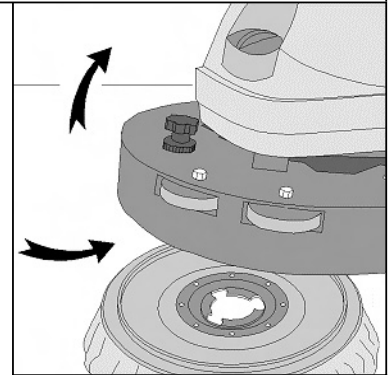
We recommend to exchange daily the right brush with the left brush and vice versa. If the brushes are not new, and their bristles are twisted, you would better reassemble them in their original position, to avoid any overloads on the motor or excessive vibrations.



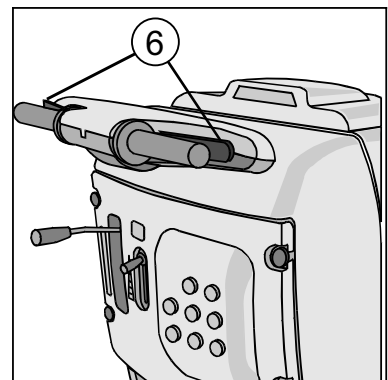
MACHINE PREPARATION

BRUSH ASSEMBLY ABILA 17

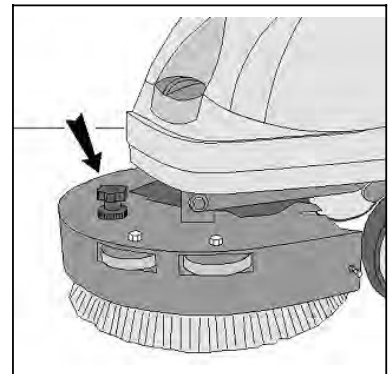
1. Push the pedal in order to lift the brush base.
2. With lifted brush base try to bring the brushes in the right position corresponding to the junctions of the machine.
3. Let the brush base down by acting on the pedal.



4. Press the operator present control lever (6) and the brush will be hooked automatically.



5. In order to vary the advancement speed act upon the knob indicated in the illustration.



GENERAL SECURITY RULES

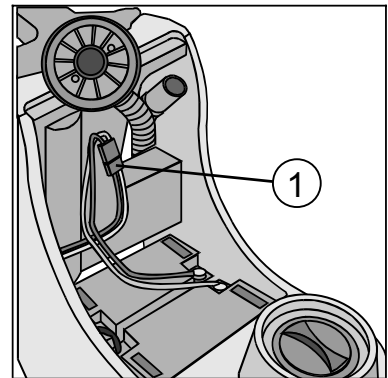
Please carefully follow the listed below rules in order to avoid harm to the operator and damage to the machine:

- Read the labels on the machine carefully. Never cover them for any reason and always immediately replace them if they are damaged
- The machine is to be used only by authorised and trained staff
- Pay attention to other people and particularly to children while the machine is working
- Never mix different types of detergents: this could generate noxious gases
- Never sets containers of liquids on the machine
- Machine storage temperature must be between -25°C and +55°C
- Operating conditions: room temperature between 0°C and +40°C with respective humidity between 30 and 95
- Never use the machine in an explosive environment
- Never use the machine to transport goods
- Never use acid solutions, which could damage people or the machine
- Avoid running the brushes with the machine stopped: this could damage the floor
- Never aspirate flammable liquids
- This appliance is not suitable for picking up hazardous dust
- Use a powder fire extinguisher in case of fire. Do not use water
- Do not hit against shelving or scaffolding when there is a danger of falling objects
- Suit operating speed to traction conditions
- Do not exceed over the limit gradient stated on the machine plate, to avoid conditions of instability
- The machine must perform washing and drying operations simultaneously. Any other operations must be done in zones where the presence of unauthorised persons is prohibited. Signal wet floor with suitable signs
- Whenever the machine has operating troubles check to make sure these are not due to insufficient ordinary maintenance. Should not it be the case, enquire with your nearest **COMAC** assistance centre
- When replacing machine parts, always ask for ORIGINAL COMAC spare parts from your authorised agent and/or retailer
- Use only original **COMAC** brushes indicated in the paragraph "CHOICE AND USE OF BRUSHES"
- Always cut out the electric power supply to the machine whenever maintenance is performed
- ATTENTION: Restore all electrical connections after any maintenance operation
- Never remove guards that require tools for removal
- Never wash the machine with direct pressurised jets of water or with corrosive substances
- Have your nearest **COMAC** service centre checks the machine every 200 operating hours
- To avoid encrustation's on the solution tank filter, do not fill it with the detergent solutions many hours before using the machine
- Before using the machine, make sure that all the doors and coverings are positioned as shown in this use and maintenance booklet
- Check that the recovery tank is empty before removing it
- Carry off consumption materials according to the laws in force
- When, after years of precious work your **COMAC** machine will be ready to be "pensioned", organise the carrying off of its composing materials, in particular oils, batteries and electronics components. Please remember that the machine has been built using totally recyclable materials

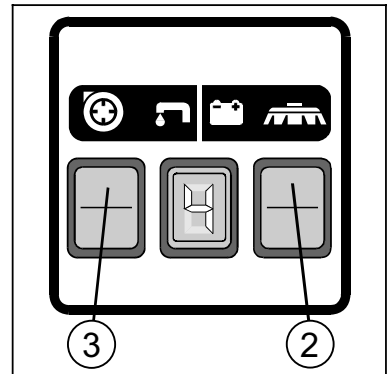
WORK

WORK PREPARATION

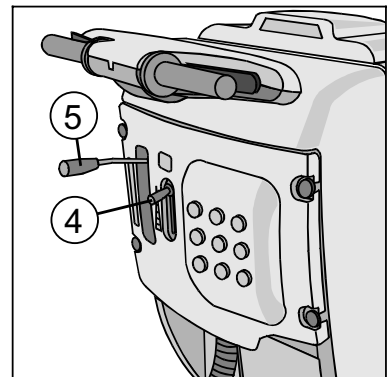
1. Connect the connector (1) to the battery



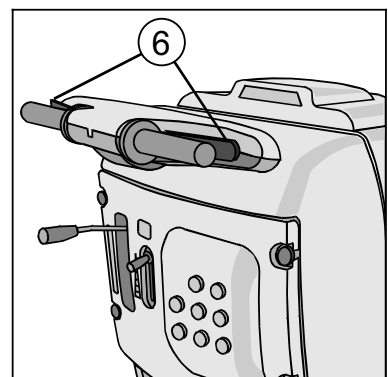
2. Press the brush switch (2)
3. Press the suction switch (3)



4. Act on the cock lever (4) to adjust the detergent solution quantity: it should be enough to regularly wet the floor but not as much as to flow out the splashguard. Please note the right solution quantity depends on floor type, on dirt importance and on speed.
5. Release the pedal and let the base lower.
6. Lower the squeegee acting on the lever (5).



7. Acting on the deadman lever (6) the brushes start turning and the squeegee starts drawing in.
8. During the first few metres check that the amount of water is sufficient and that the squeegee dries the floor perfectly.



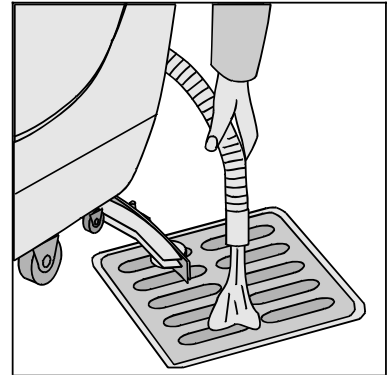
WORK

OVERFLOW DEVICE

The machine is supplied with float that trips whenever the recovery tank is full, closing the suction tube. In this case you should empty the recovery tank by removing the outlet pipe cap.



ATTENTION! Always wear gloves during this procedure, to avoid any contact with dangerous substances.



TRACTION

The brush obtains the traction of this machine: its inclination while working allows dragging the machine along.

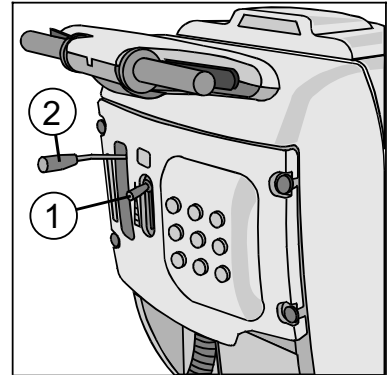


ATTENTION! While going into reverse, even briefly, make sure that the squeegee is lifted.

UPON COMPLETION OF WORK

At the end of the work, and before performing any type of maintenance:

1. Close the cock by lever (1).
2. Raise base by pedal.
3. Raise squeegee by lever (2)

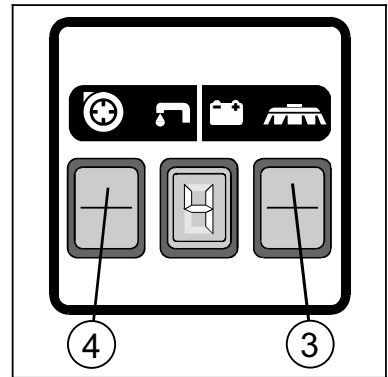


4. Turn off the brush switch (3).
5. Turn off suction motor switch (4).



ATTENTION! If after having switched off the brush switch (3) the display of the battery indicator remains on, this means that, the solution cock is open. Close the water cock through the lever (1) in order to avoid leakage of the detergent solution.

6. Move the machine to the water disposal point.

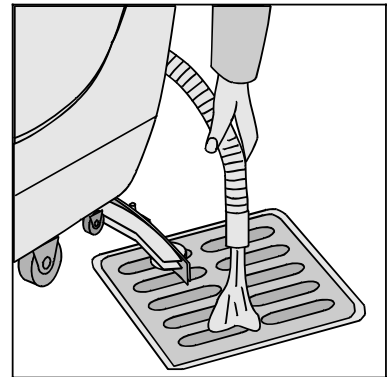


7. Hold the pipe placed on the back of the machine.
8. Remove the outlet cap and empty the tank.



ATTENTION! Always wear gloves during this procedure to avoid any contact with dangerous substances.

9. Disassembly the brush and clean it by a jet of water (for the disassembly of the brush see the following “DISASSEMBLY OF THE BRUSH”)



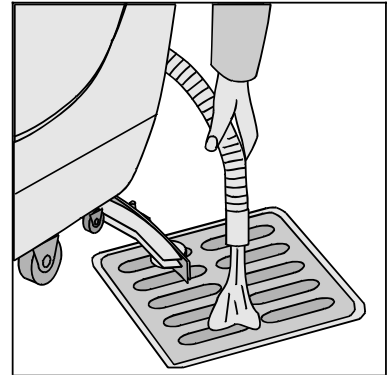
DAILY MAINTENANCE

RECOVERY TANK CLEANING

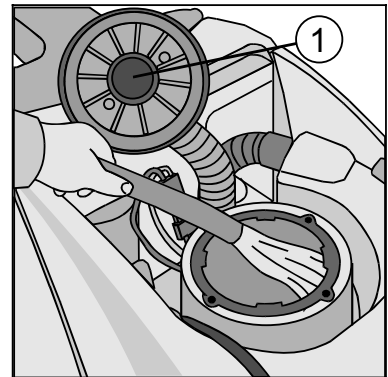
1. Hold the recovery tank outlet pipe.
2. Remove the outlet cap and empty the tank.



ATTENTION! Always wear gloves during this procedure, to avoid any contact with dangerous substances.

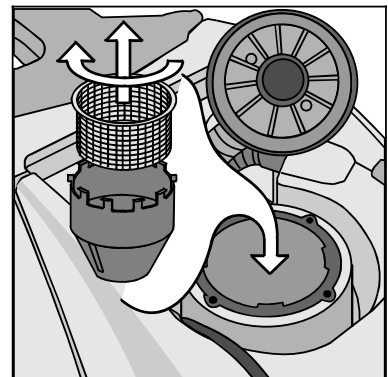


3. Lift the recovery tank lid.
4. Remove the suction cap (1) turning it anticlockwise.
5. Remove the filter and its protection.
6. Rinse the tank with a jet of water.



SUCTION FILTER CLEANING

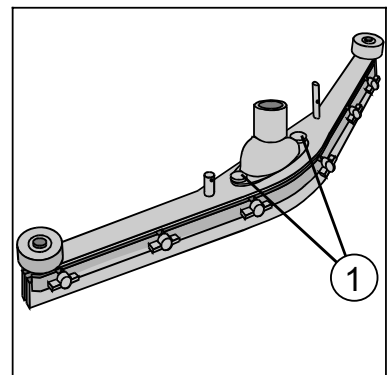
1. Lift the lid.
2. Remove the suction cap turning in anticlockwise.
3. Remove the filter.
4. Clean the filter walls and bottom by a jet of water.
5. Carry out the cleaning procedures very carefully.
6. Reassemble everything.



SQUEEGEE CLEANING

The squeegee must be in perfect working condition to achieve a good drying process. Proceed as follows to clean it:

1. Remove the pipe from the squeegee.
2. Loose the knobs (1) shown in picture.
3. Remove the mouth and clean it.
4. Carefully clean the inside of the squeegee.
5. Carefully clean the squeegee rubbers.
6. Reassemble everything.



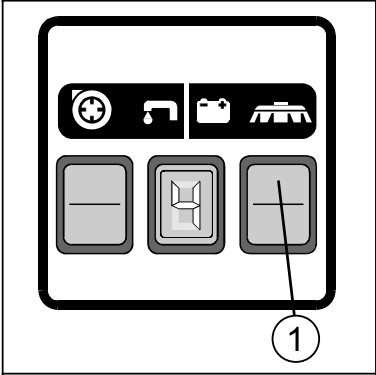
DAILY MAINTENANCE

BRUSHES DISASSEMBLY ABILA 42 52

1. Push lever down to raise the base.
2. Turn key to OFF and remove it from the control panel (1)



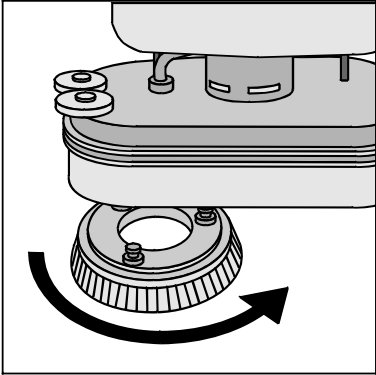
WARNING! Removing the brushes with power on may cause injury to the hands.



3. Rotate the brush, with base raised, until it exits form the brush-bearing plate as shown in the picture. The picture shows the direction of rotation for releasing the right brush. Rotate in opposite direction for the left brush.

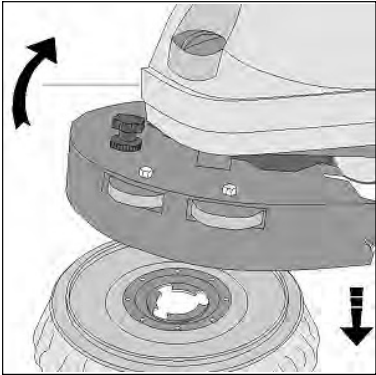


ATTENTION! Make sure that no persons or object are nearby the brush during this operation.



BRUSHES DISASSEMBLY ABILA 17

1. Lift the brush base through the pedal (push down).
2. With brush base in lifted position operate the operator control lever, and the brush will unhook automatically.

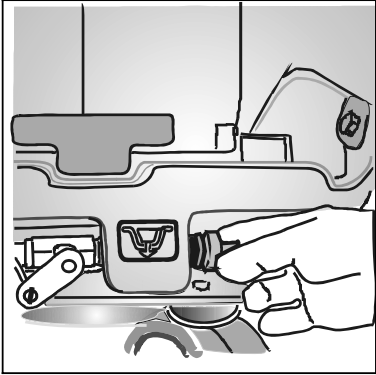


CLEANING SOLUTION FILTER

1. Take off the filter on the solution tank
2. Clean it thoroughly
3. Reassemble everything



ATTENTION! Always wear gloves during this procedure, to avoid any contact with dangerous substances.



WEEKLY MAINTENANCE

CLEANING SQUEEGEE HOSE

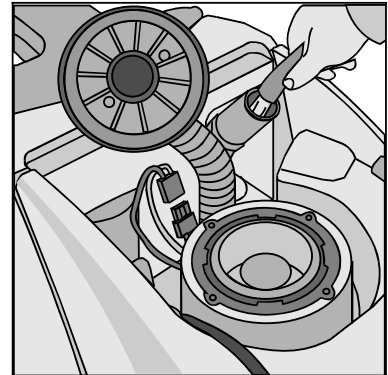
Weekly, or whenever the suction is insufficient, it is necessary to check that the squeegee pipe is not obstructed. Should it be the case, proceed as follows to clean it:

1. Unthread the pipe from the squeegee sleeve.
2. Unthread the other end from the recovery tank.

3. Wash the inside of pipe by a jet of water, from the side it is plug to the tank.
4. To reassemble the pipe repeat the above-mentioned operations.



ATTENTION! Do not wash the pipe connecting the aspirator to the suction cap.

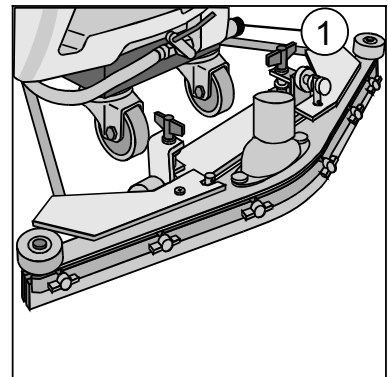


CLEANING SOLUTION TANK

1. Remove the cap from the solution tank.
2. Rinse with a jet of water.
3. Remove the outlet cap (1) and empty the tank



ATTENTION! Always wear gloves during this procedure, to avoid any contact with dangerous substances.

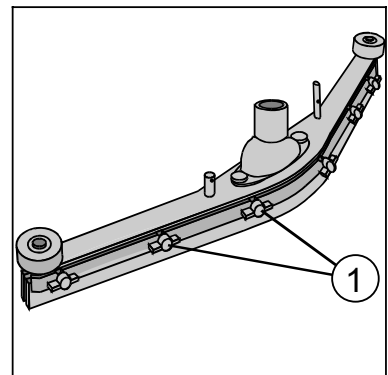


REAR SQUEEGEE RUBBERS REPLACEMENT

Check the squeegee rubbers wear and replace them if necessary. Proceed as follows

1. Unthread the squeegee pipe from sleeve.
2. Remove the pin from column.
3. Remove the squeegee from its support.
4. Loosen the wing nuts (1) blocking the rubber blades and take them off.
5. Replace the rubbers

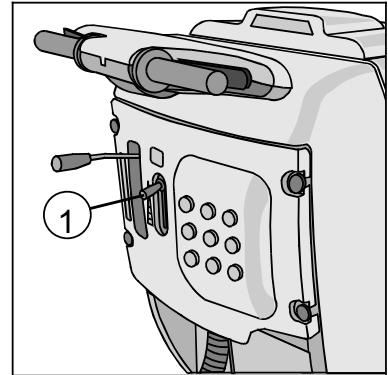
To reassemble the squeegee repeat the above-mentioned operations.



WORKING CONTROL

INSUFFICIENT WATER TO THE BRUSHES

1. Check that the cock (1) is open.
2. Check that there is water in the solution tank.



THE MACHINE DOES NOT CLEAN PROPERLY

1. Check the brushes wear and replace them if necessary (the brushes must be replaced when bristles are 15 mm high).
To replace brushes see "BRUSHES DISASSEMBLY" and "BRUSH ASSEMBLY".
2. Use another type of brush rather than the standard brush. We recommend, for cleaning exceptionally difficult dirt floors, the use of special brushes, supplied on request and according to your specific needs (see "CHOICE AND USE OF BRUSHES").

THE SQUEEGEE DOES NOT DRY PERFECTLY

1. Check that the squeegee rubbers are clean
2. Adjust the squeegee inclination (see "SQUEEGEE" in "PREPARING THE MACHINE")
3. Check that the suction pipe is correctly housed in its seat on the recovery tank.
4. Remove the whole suction unit and clean it.
5. Replace the rubbers if worn.
6. Check that the suction motor switch is turn on.
7. Check the wheels regulation.

FOAM OVER-FORMATION

Check that low-foam detergent is used. Add, if necessary, a small quantity of anti-foam liquid to recovery tank.

Please remember that more foam is generated when the floor to be cleaned it is not very dirty. In this case use a more diluted detergent solution.

CHOICE AND USE OF BRUSHES

POLYPROPYLENE BRUSH (PPL)

It is used on all floor types and offers good resistance to wear and to hot water (not over 60°C). PPL is not hygroscopic, then preserves its characteristics even when working on wet floors.

NYLON BRUSH

It is used on all floor types and offers excellent resistance to wear and to hot water (60°C and over). Nylon is hygroscopic and tends, over a period of time, to lose its characteristics when working on wet floors.

ABRASIVE BRUSH

This brush bristles are impregnated with highly aggressive abrasives. This brush is used to clean very dirty floors. We recommend using only the minimum necessary bare pressure to prevent damages to the floor.

BRISTLES THICKNESS

Thicker bristles are stiffer and should be used on smooth floors with narrow joints between tiles.

We recommend using softer bristles when floors are uneven or have deep joints or raised edges. Softer bristles penetrate easier into joints.

Remember that when brush bristles are worn and become too short they become stiffer and are no longer able to penetrate in depth. This is also because, as when using bristles that are too big, the brush tends to jump and skip.

PAD HOLDER

Pad holder is recommended for cleaning polished surfaces.

There are two types of pad holders:

1. Traditional pad holders with set of anchor stubs that retain and drive the abrasive disk during operation.

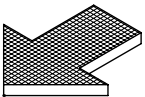
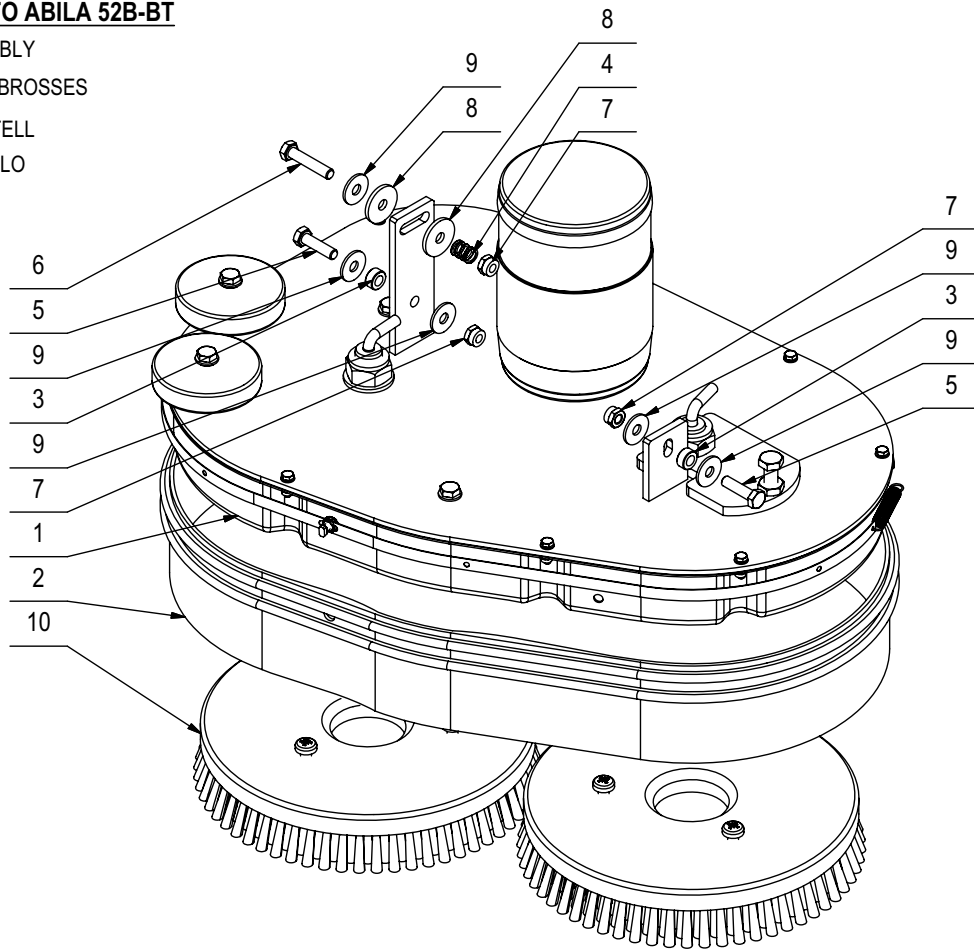
CENTER LOCK pad holders which, in addition to anchor stubs, also have a plastic snap-in centre lock system. This permits perfect centring of the abrasive disk and ensures it is kept anchored without detaching. This type of pad holder is best for machines with several brushes, where it is difficult to centre the abrasive disks.

LIST FOR THE CHOICE OF THE BRUSHES

Machine	N° Brushes	Code	Bristles type	ØBristles	Ø Brushes	Remarks
ABILA 17	1	66824010	PPL	0.3	420	
		66824020	PPL	0.6	420	
		66824030	PPL	0.9	420	
		66824040	Abrasive	1	420	
		66724010	Pad holder h=40		420	
		66724020	Pad holder h=60		420	
ABILA 42	2	66805020	PPL	0.3	210	
		66805050	PPL	0.5	210	
		66805060	PPL	0.9	210	
		66805120	Abrasive	1	210	
		66705020	Pad holder		200	
		66724030	Pad holder		200	
ABILA 52	2	66808010	PPL	0.3	255	
		66808040	PPL	0.5	255	
		66808020	PPL	0.9	255	
		66808030	Abrasive	1	255	
		66708010	Pad holder		245	

GRUPPO BASAMENTO ABILA 52B-BT

BRUSH BASE ASSEMBLY
 GROUPE PLATEAU DES BROSSES
 GRUPPE BÜRSTENGESTELL
 GRUPO BANCADA CEPILLO

01D

ITEM	CODICE	DESCRIPTION	QTY
1	200813	BRUSH BASE ASSEMBLY	1
2	E83653	Splash guard AS20B	1
3	E83970	Bushing	2
4	E82309	Spring, Compression	1
5	E83802	Hex Bolt M8x30 Zinc	2
6	E83830	Hex Bolt M8x40 Zinc	1
7	E81709	Nyloc Hex Nut, M8 Zinc	3
8	E83832	Flat Washer M8.5x30x3 Nylon	2
9	E83404	Flat Washer M9x24x2.5 Zinc	5
10	E83028	MediumScrub Brush	2

PREM. BASAMENTO ABILA 52B-BT

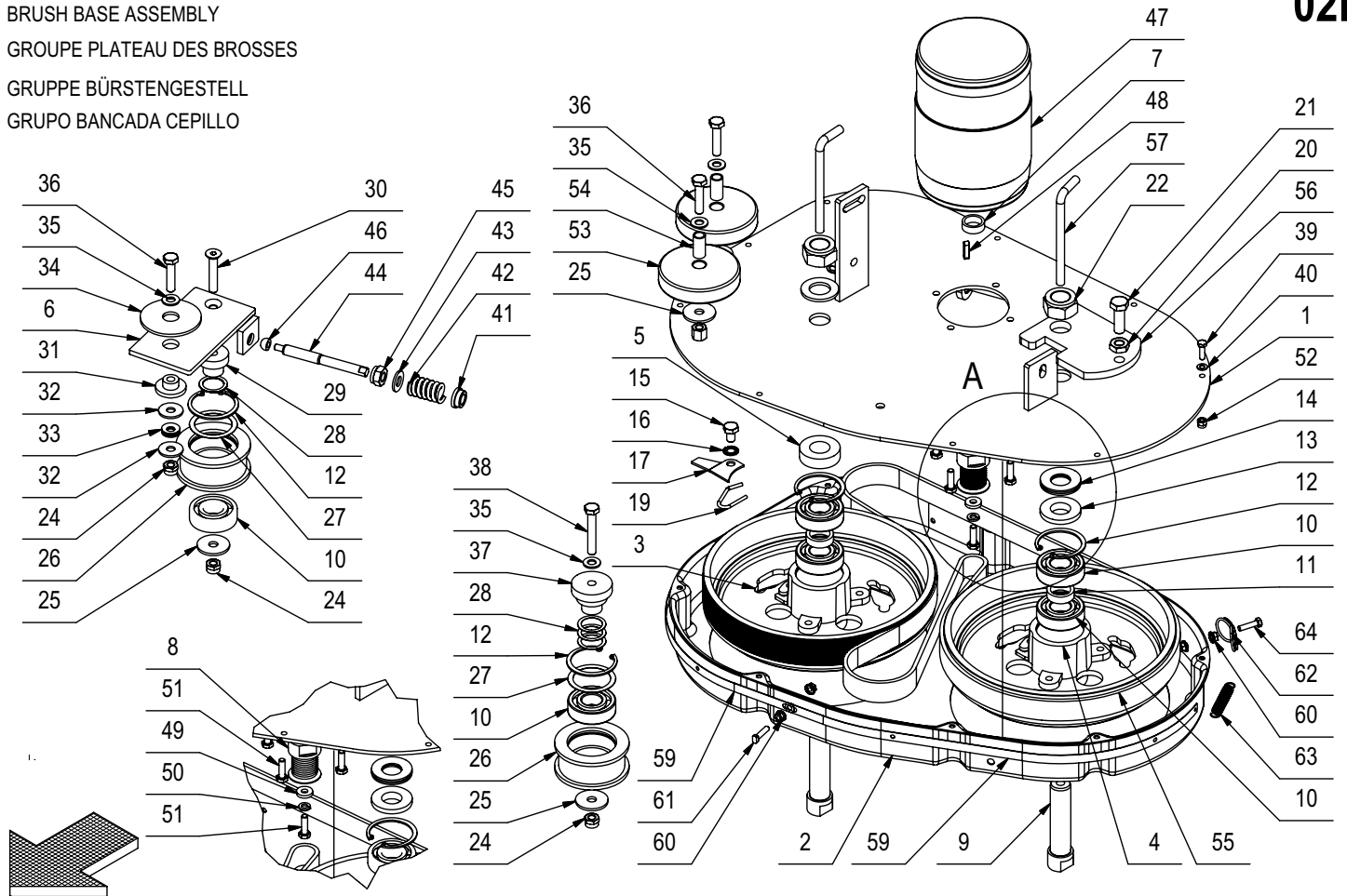
BRUSH BASE ASSEMBLY

GROUPE PLATEAU DES BROSSES

GRUPPE BÜRSTENGESTELL

GRUPO BANCADA CEPILLO

02D



ITEM	SKU	DESCRIPTION	QTY
1	E88005	Brush Base Deck Crewman AS20B	1
2	208069	COVER	1
3	E88013	Pulley, Groove Brush Drive Crewman AS20B	1
4	E88012	Pulley, Smooth Brush Drive Crewman AS20B	1
5	E87278	Spacer Abila 52	1
6	E85724	Arm Abila 52	1
7	E87282	Spacer Abila 52	1
8	E87283	Pulley Abila 52	1
9	E87284	Shaft	2
10	E81657	Bearing, 6204 2RS	6
11	E86216	Spacer	2
12	E81656	Retaining Ring - Internal	4
13	E87281	Spacer	1
14	E87288	Washer Abila 52	2
15	E86295	Screw M8 x 12 (Crewman AS20B)	2
16	E83868	External Serrated Lock Washer M8 Zinc	2
17	E86297	Plaque, Right Side (Brush Assembly, Crewman AS20B)	1
18	E86296	Plaque, Left Side (Brush Assembly, Crewman AS20B)	1
19	E81953	Spring, Brush Lock	2
20	E83875	Hex Jam Nut, M10X6 Zinc	1
21	E81017	Hex Bolt 10x30 Zinc	1
22	E88015	Nut, Lock M20 Crewman AS20B	2
23	E20253	Flat Washer M21x60x3 Nylon	1
24	E81709	Nyloc Hex Nut, M8 Zinc	3
25	E81918	Flat Washer M9x32x2.5 Zinc	4
26	E85723	Idler Pulley	2
27	E87290	Shim M37x47x0.3	2
28	E87289	Shim Washer M20x28x0.3	6
29	E87279	Bushing	1
30	E87286	Screw Abila 52	1
31	E88014	Bushing Crewman AS20B	1
32	E83404	Flat Washer M9x24x2.5 Zinc	2
33	E81916	Washer	2
34	E88110	Flat Washer M6.1x60x3 Nylon	1
35	E81874	Flat Washer M8x17x1.6 Zinc	4
36	E88016	Screw, M8 x35 Crewman AS20B	3

PREM. BASAMENTO ABILA 52B-BT

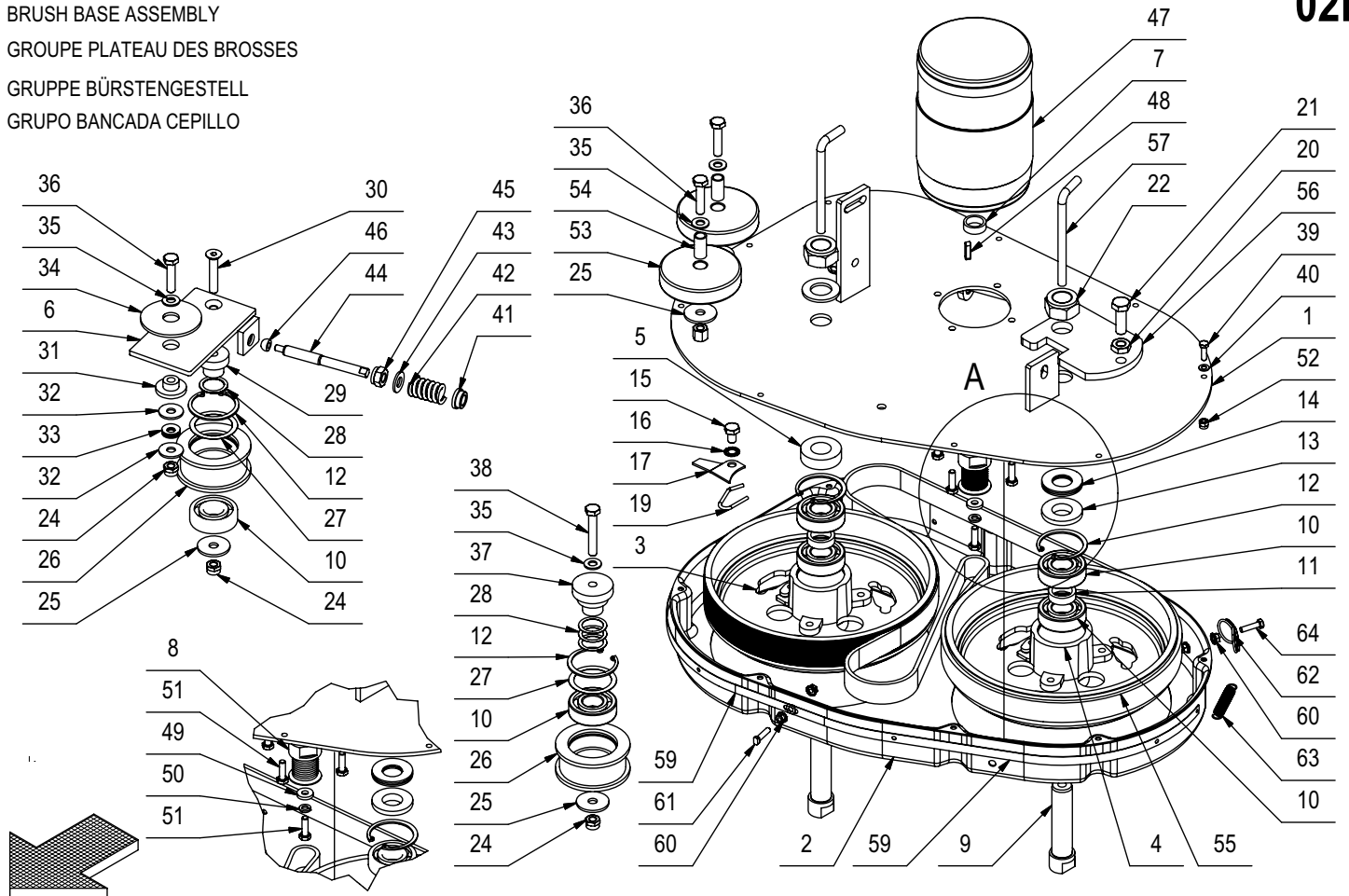
BRUSH BASE ASSEMBLY

GROUPE PLATEAU DES BROSSES

GRUPPE BÜRSTENGESTELL

GRUPO BANCADA CEPILLO

02D



ITEM	SKU	DESCRIPTION	QTY
37	E87280	Pin Abila 52	1
38	E87285	Hex Bolt M8x50 Zinc	1
39	E83836	Hex Bolt M5x16 Zinc	9
40	E83879	Flat Washer M5x11x1 Zinc	9
41	E88007	Bushing	1
42	E83698	Tension Spring	1
43	E82773	Flat Washer M10x21x2 Zinc	1
44	E88008	Adjuster	1
45	E83381	Nyloc Hex Nut, M10 Zinc	1
46	E88009	Bushing	1
47	E82576	Brush Motor 24VDC 400W	1
48	E83700	Shaft Key	1
49	E87277	Washer Abila 52	1
50	E82774	Lock Washer, M6 Zinc	1
51	E82772	Hex Bolt M6x20 Zinc	5
52	E82256	Nyloc Hex Nut, M5x7 Zinc	9
53	E83895	Wheel 80 OD x 23 W	2
54	E83524	Bushing	2
55	E83894	Belt poly V J10-1651	1
56	206171	PLAQUE	1
57	E82303	Pipe	2
59	E83654	Band AS20B	2
60	E88010	Hex Nut, M5	6
61	E83823	Screw M5x20/ SS Custom	1
62	E83489	Rings	2
63	E83491	Spring	2
64	E83666	Hex Bolt M5x20 SS	2

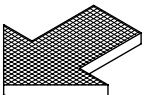
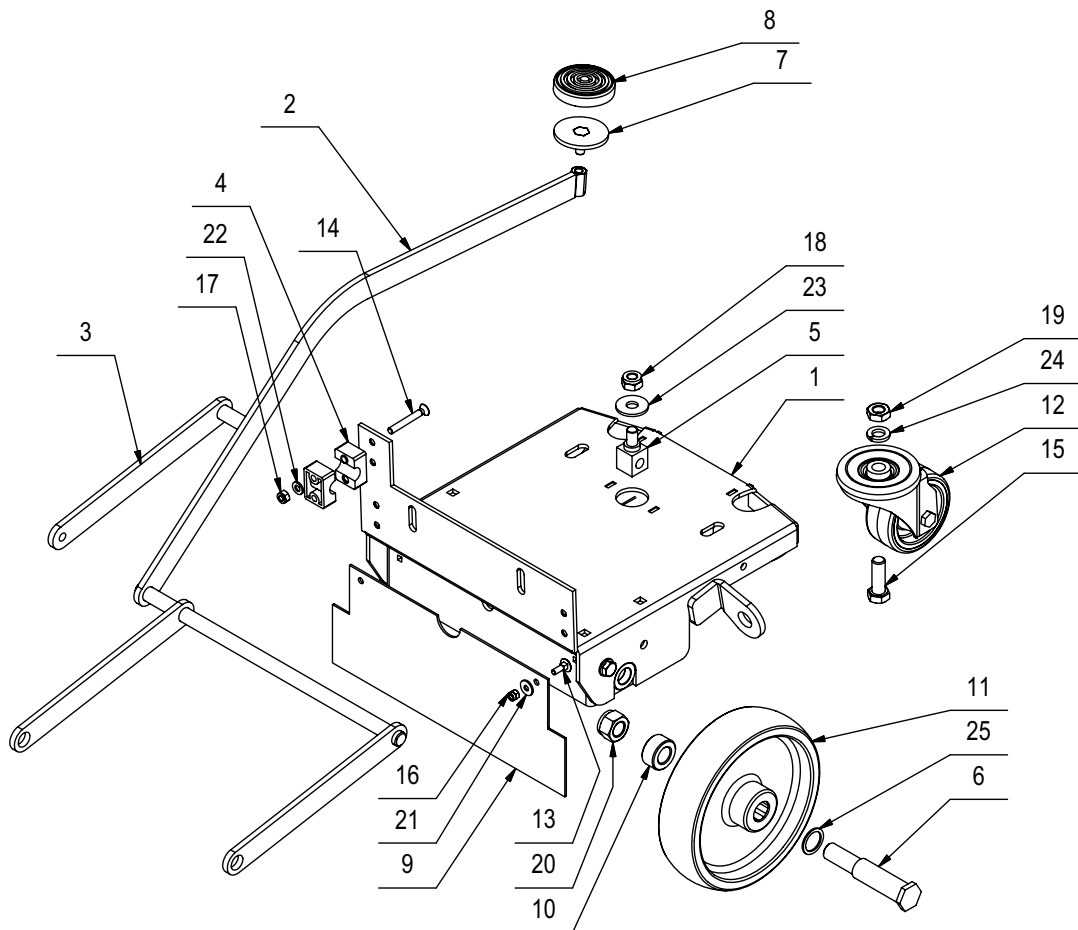
GRUPPO TELAIO ABILA 42-52 B

FRAME ASSY

GROUPE DE CHASSIS

RAHMEN GRUPPE

GRUPO BASTIDOR

03B

ITEM	SKU	DESCRIPTION	QTY
1	407637	FRAME	1
2	E82525	Arm s42	1
3	E82833	Arm	1
4	E82834	Pivot Block	6
5	204226	COUPLING	1
6	215023	PIN	2
7	206838	PEDAL	1
8	E83669	Pedal cover	1
9	427244	SPLASH GUARD	1
10	E88103	Spacer	2
11	E82551	Transport Wheel 175 OD x 45 W	2
12	E82529	Caster, Rear Abila	2
13	408614	SCREW	2
14	E81635	Screw, M6X45	6
15	E81735	Hex Bolt M12x35 Zinc	2
16	409081	LOCK NUT	2
17	E83550	NyLoc Hex Nut, M6 Zinc	6
18	E83381	Nyloc Hex Nut, M10 Zinc	1
19	E83829	Hex Jam Nut, M12X7 Zinc	2
20	E81627	Nyloc Hex Nut, M16 Zinc	2
21	E20122	Flat Washer M5 x 15 x 1.5 SS	2
22	E82761	Washer 6x12x1.6	6
23	E81020	Washer, 11x30X2.5	1
24	E81738	Flat Washer M4x12x3 Zinc	2
25	E81948	Flat Washer M20x26x1.5 AL	2

PREM. TERGIPAVIMENTO ABILA 17-42-52

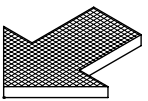
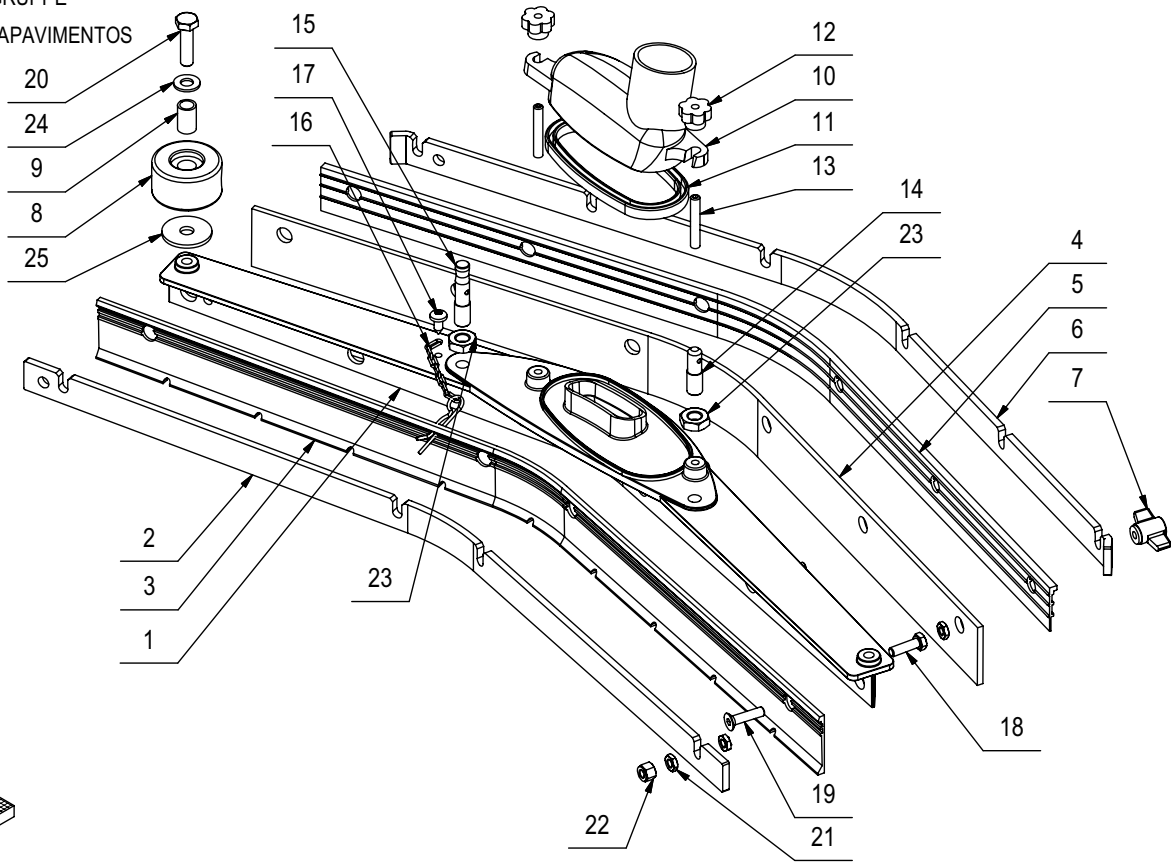
SQUEEGE ASSY

GROUPE DE SUCEUR

SAUGFUSS GRUPPE

GRUPO LIMPIAPAVIMENTOS

04A



ITEM	SKU	DESCRIPTION	QTY
1	E82665	Squeegee Shoe	1
2	E81809	Band Clamp	1
3	E83327	Squeegee Blade, Front	1
4	E83417	Squeegee Blade, Gum Rubber 27" x 1 3/4" x 1/8"	1
5	E83326	Squeegee Blade, Polyurethane 27" x 1 7/16" x 1/8"	1
6	E81633	Band Clamp	1
7	E83591	Knob	6
8	E82451	Wheel 45 OD x 25 W	2
9	E82253	Bushing, Brass OD 11.95mm x ID 8.9mm x L 8.45mm	2
10	E82307	Squeegee Vacuum Adapter	1
11	E83971	Gasket	1
12	E83810	Knob	2
13	E82707	Set Screw Hex Soc Flat End M6x40 SS	2
14	E83945	Stud Bolt M10x33 Custom	1
15	E83911	Stud Bolt M10x46 Custom	1
16	E83590	Chain	1
17	E83851	Screw, Pan Hd Phil Self Tap M5.5x13 SS	1
18	E83914	Hex Bolt M6x20 SS	4
19	E81848	Flat Hd Soc Machine Screw M6x25 SS	6
20	E83802	Hex Bolt M8x30 Zinc	2
21	409045	NUT	14
22	E83550	NyLoc Hex Nut, M6 Zinc	4
23	E83875	Hex Jam Nut, M10X6 Zinc	2
24	E81874	Flat Washer M8x17x1.6 Zinc	2
25	E81918	Flat Washer M9x32x2.5 Zinc	2

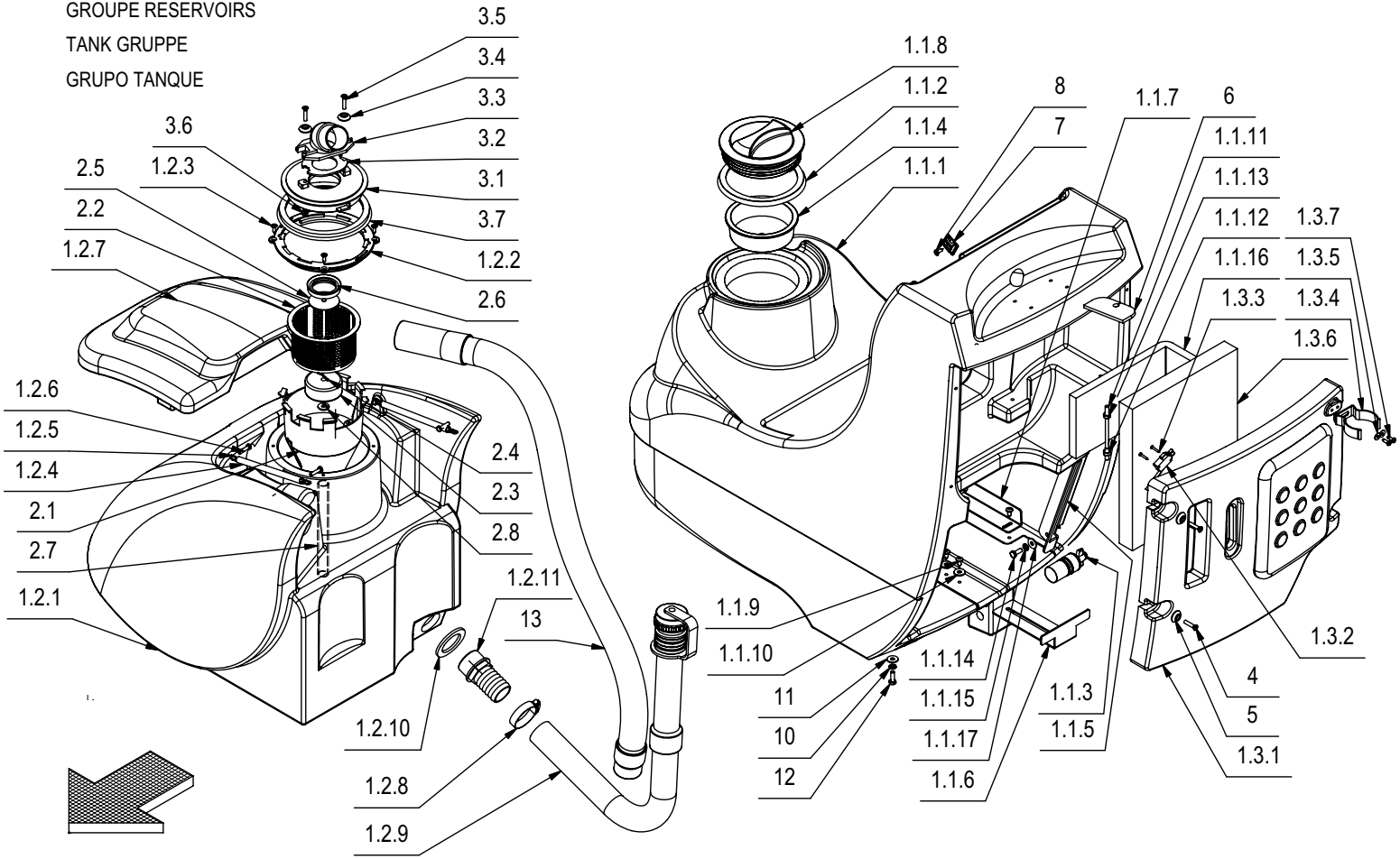
GRUPPO SERBATOI ABILA

TANKS ASSY

GROUPE RESERVOIRS

TANK GRUPPE

GRUPO TANQUE



3.5

3.4

3.3

3.2

3.1

3.7

1.2.2

2.6

2.4

2.3

2.8

1.2.11

13

1.2.10

1.2.8

1.2.9

1.1.8

1.1.2

1.1.4

1.1.1

8

7

1.1.7

6

1.1.11

1.1.13

1.1.12

1.1.16

1.3.3

1.3.5

1.3.4

1.3.6

1.3.7

1.3.4

1.3.5

1.3.4

1.3.6

1.3.2

4

5

1.3.1

1.1.9

1.1.10

11

10

12

1.1.14

1.1.15

1.1.17

1.1.6

1.1.3

1.1.5

ITEM	SKU	DESCRIPTION	QTY
1	213352	TANK ASM	1
1.1	217003	SOLUTION TANK ASM	1
1.1.1	E82319	Tank Abila Solution	1
1.1.2	E82332	Gasket	1
1.1.3	E83560	Filter Asm	1
1.1.4	E82612	Filter	1
1.1.5	E83561	Bracket WS17	1
1.1.6	E83533	Angle WS17	1
1.1.7	400893	SUPPORT	1
1.1.8	E82429	Cap	1
1.1.9	E83851	Screw, Pan Hd Phil Self Tap M5.5x13 SS	4
1.1.10	E83799	Flat Washer M6.6x18x2 SS	2
1.1.11	E81614	Stud bolt	2
1.1.12	E86701	Nut M6	2
1.1.13	E83550	NyLoc Hex Nut, M6 Zinc	2
1.1.14	E83547	M6x16 Bolt, Zinc Hex Head	2
1.1.15	E82774	Lock Washer, M6 Zinc	2
1.1.16	E83707	Deadening WS17	1
1.1.17	E82798	Washer, 6x18x1.5	2
1.2	217002	RECOVERY TANK ASM	1
1.2.1	E81470	Abila Recovery Tank	1
1.2.2	E83995	Ring	1
1.2.3	E83796	Screw, Pan Hd Phil Self Tap M4.2x16 Zinc	4
1.2.4	E82254	Chain Protector	2
1.2.5	E88430	Support Chain Tank Cover	2
1.2.6	E83881	Hex Bolt M5x20 Zinc	4
1.2.7	E82352	Cover, Abila	1
1.2.8	E83966	Hose Clamp	1
1.2.9	E88023	Hose, Drain Assembly Abila 42	1
1.2.10	E85764	Gasket	1
1.2.11	E85763	Connector	1
1.3	217007	PANEL ASSY	1
1.3.1	420031	PANEL	1
1.3.2	E83164	Micro Switch	1
1.3.3	408867	SCREW	2
1.3.4	E87296	Drain Hose Clip	1

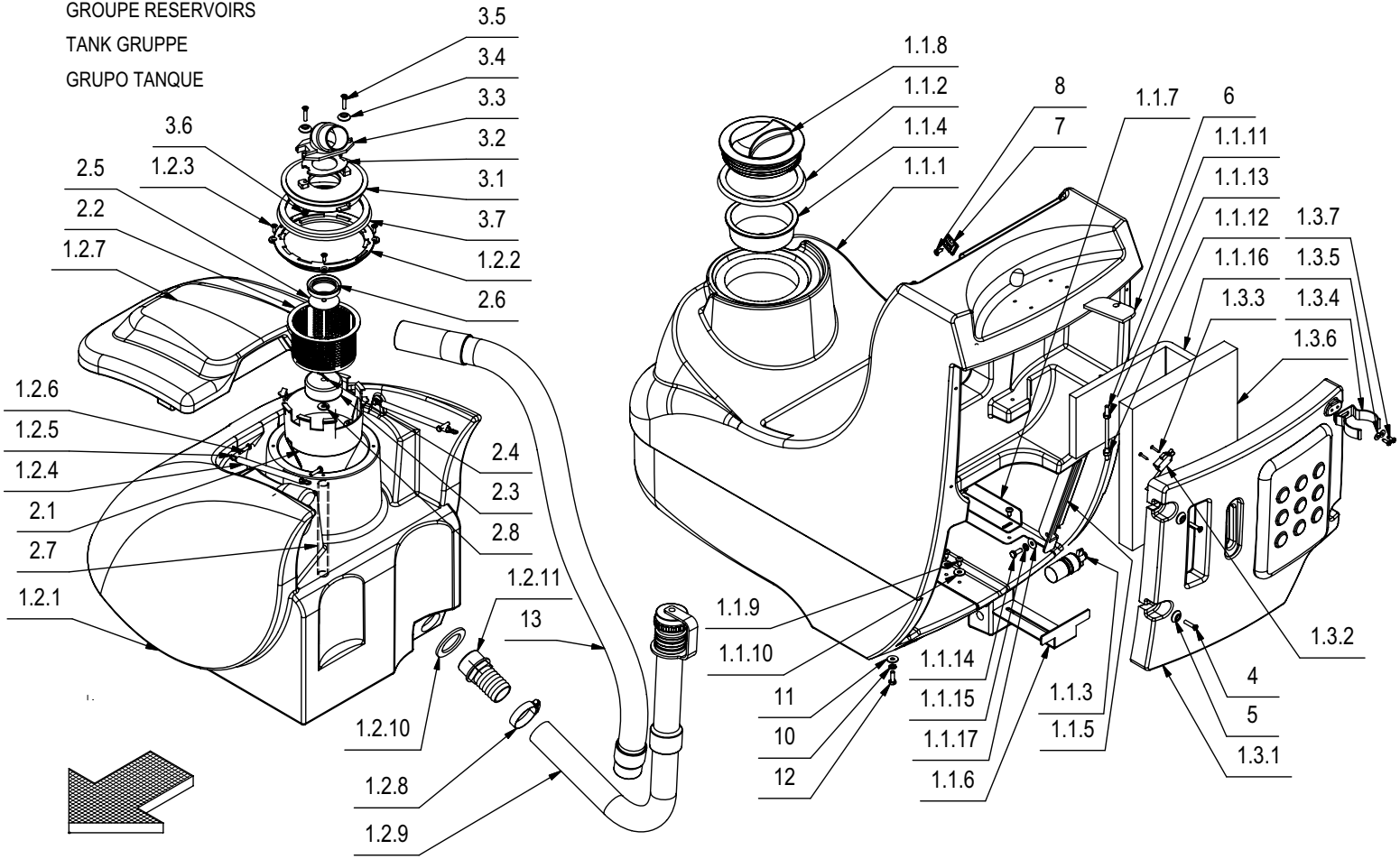
GRUPPO SERBATOI ABILA

TANKS ASSY

GROUPE RESERVOIRS

TANK GRUPPE

GRUPO TANQUE



3.5

3.4

3.3

3.2

3.1

3.7

1.2.2

2.6

2.4

2.3

2.8

1.2.11

13

1.2.10

1.2.8

1.2.9

1.1.8

1.1.2

1.1.4

1.1.1

8

7

1.1.7

6

1.1.11

1.1.13

1.1.12

1.1.16

1.3.3

1.3.7

1.3.5

1.3.4

1.3.6

1.1.9

1.1.10

1.1.14

1.1.15

1.1.17

1.1.6

1.1.3

1.1.5

1.3.2

4

5

1.3.1

11

10

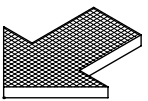
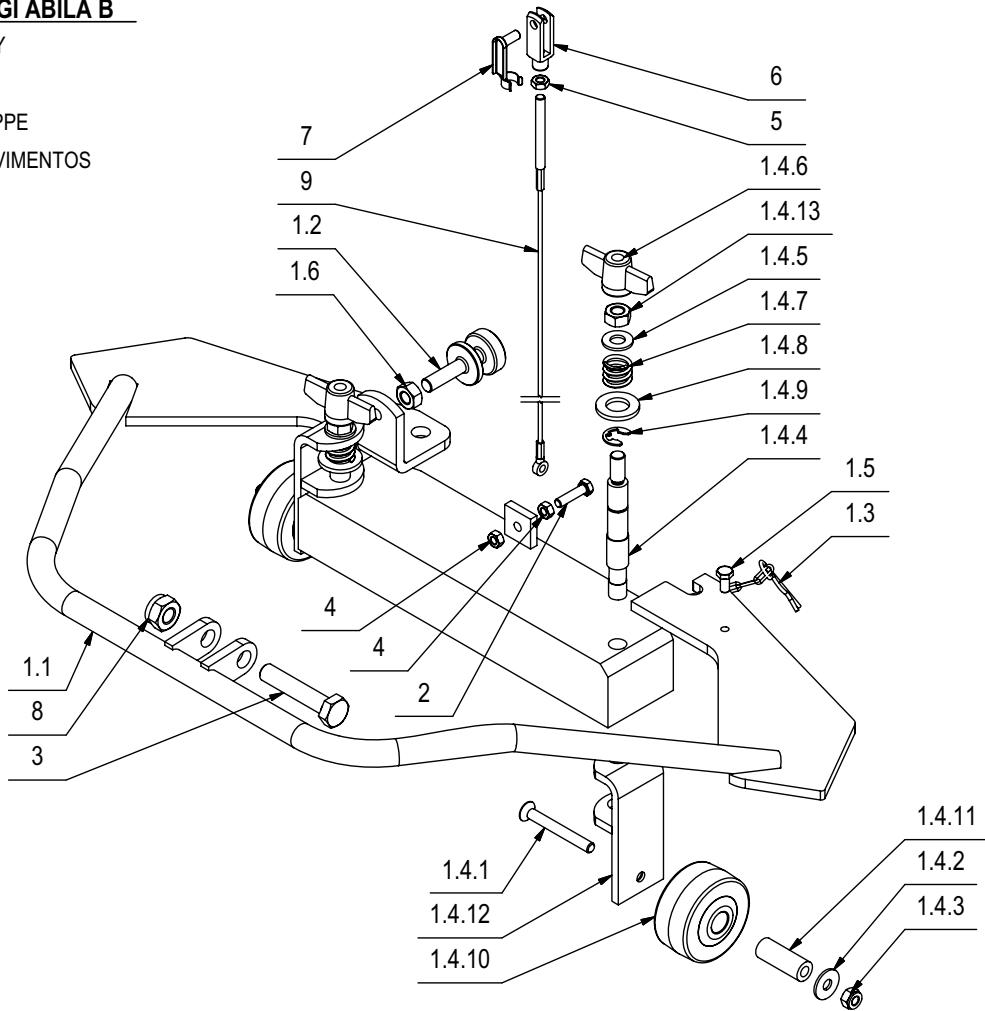
12

ITEM	SKU	DESCRIPTION	QTY
1.3.5	E83037	Flat Washer M4x12x1.6 Zinc	2
1.3.6	E85784	Vac Motor Deadening	1
1.3.7	408879	SCREW	2
2	200823	FLOAT PROTECTION ASSY	1
2.1	E81006	Vacuum Splash Guard	1
2.2	E81615	Filter	1
2.3	E83338	Float WS17	1
2.4	E83605	Split pin	2
2.5	E82611	Rod	1
2.6	E82313	Grommet	1
2.7	E82490	Hose, Abila	1
2.8	E83799	Flat Washer M6.6x18x2 SS	1
3	200691	PLUG ASSY	1
3.1	E82450	Cover	1
3.2	E83994	Gasket	1
3.3	E82267	Coupling	1
3.4	E83850	Flat Washer M5x20 SS	2
3.5	E83934	Screw m5x25	2
3.6	409081	LOCK NUT	2
3.7	E82381	Gasket Ring	1
4	E83934	Screw m5x25	4
5	E83850	Flat Washer M5x20 SS	4
6	405966	GASKET	2
7	E81619	Cable Tie Holder	4
8	E83796	Screw, Pan Hd Phil Self Tap M4.2x16	4
9	407668	SCREW	2
10	E82774	Lock Washer, M6 Zinc	4
11	E82798	Washer, 6x18x1.5	4
12	407665	SCREW	2
13	E83536	Squeegee hose	1

GRUPPO COMANDO TERGI ABILA B

SQUEEGE CONTROL ASSY
 COMMANDE DE SUCEUR
 SAUGFUSS KONTROLL GRUPPE
 GRUPO COMANDO LIMPIAPAVIMENTOS

05A



ITEM	SKU	DESCRIPTION	QTY
1	200821	SQUEEGEE CONTROL ASM	1
1.1	E86246	Coupling, Squeegee	1
1.2	E83655	Adjuster Knob	1
1.3	E83590	Chain	1
1.4	203067	SUPPORT WHEEL ASSY	2
1.4.1	408974	SCREW	1
1.4.2	E82798	Washer, 6x18x1.5	1
1.4.3	E83550	NyLoc Hex Nut, M6 Zinc	1
1.4.4	E82329	Threaded Pin	1
1.4.5	E81874	Flat Washer M8x17x1.6 Zinc	1
1.4.6	E83531	Knob	1
1.4.7	E81634	Spring Compression	1
1.4.8	E85722	Flat Washer M13x24x2.5 Zinc	1
1.4.9	E85498	E Style Circlip	1
1.4.10	E82428	Wheel 52 OD x 28 W	1
1.4.11	E82273	Bushing	1
1.4.12	E85497	Weldment, Squeegee Wheel Support	1
1.4.13	E83656	Hex Nut, M8x6.5 Zinc	1
1.5	418312	SCREW	1
1.6	E83656	Hex Nut, M8x6.5 Zinc	1
2	E83881	Hex Bolt M5x20 Zinc	1
3	408724	SCREW	1
4	E82317	Hex Jam Nut, M5X3.5 Zinc	2
5	415887	NUT	1
6	E86154	Fork	1
7	E81907	Pin	1
8	E83381	Nyloc Hex Nut, M10 Zinc	1
9	E85768	Squeegee Cable	1

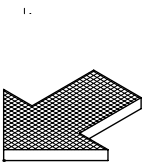
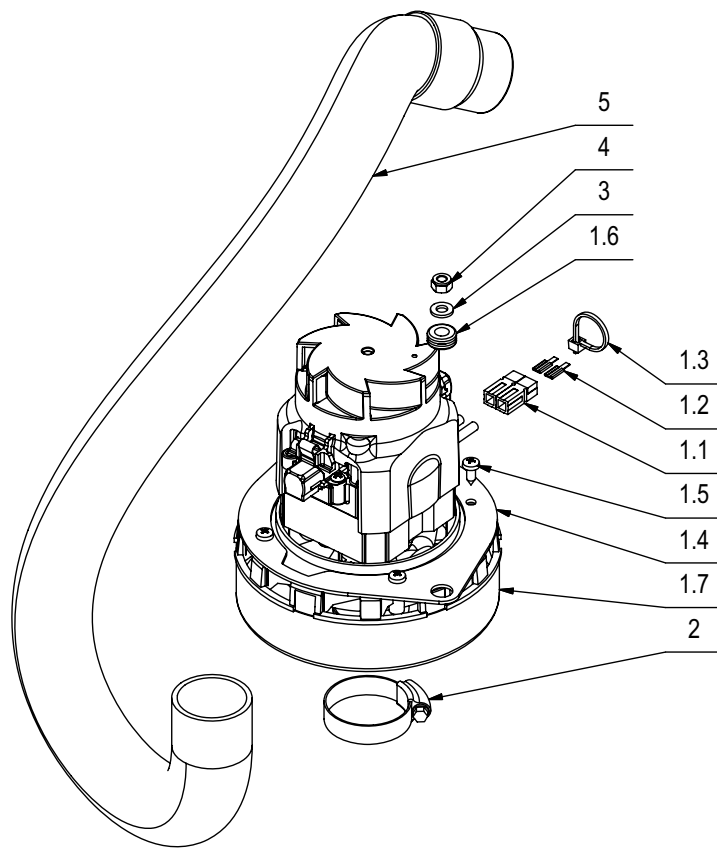
GRUPPO ASPIRAZIONE ABILA

SUCTION MOTOR ASSEMBLY

GROUPE MOTEUR DASPIRATION

SAUGMOTORGRUPE

GRUPO MOTOR SUCCION



ITEM	SKU	DESCRIPTION	QTY
1	E83454	Motor asp 24 volt	1
1.1	E83897	Connector, Electrical Housing 30A	2
1.2	E83883	Lug, Electrical 30A	2
1.3	E83935	Wire Tie	1
1.4	E82838	Motor Plaque	1
1.5	E88017	Screw, Pan Hd Phil Self Tap M4.8x13 SS	4
1.6	E87975	Stud Bolt Tripla	2
1.7	407504	SUCTION MOTOR	1
2	E83966	Hose Clamp	1
3	E82761	Washer 6x12x1.6	2
4	E83550	NyLoc Hex Nut, M6 Zinc	2
5	E82371	Vac exhaust hose	1

GRUPPO IMP. IDRICO ABILA 17-20-42-52

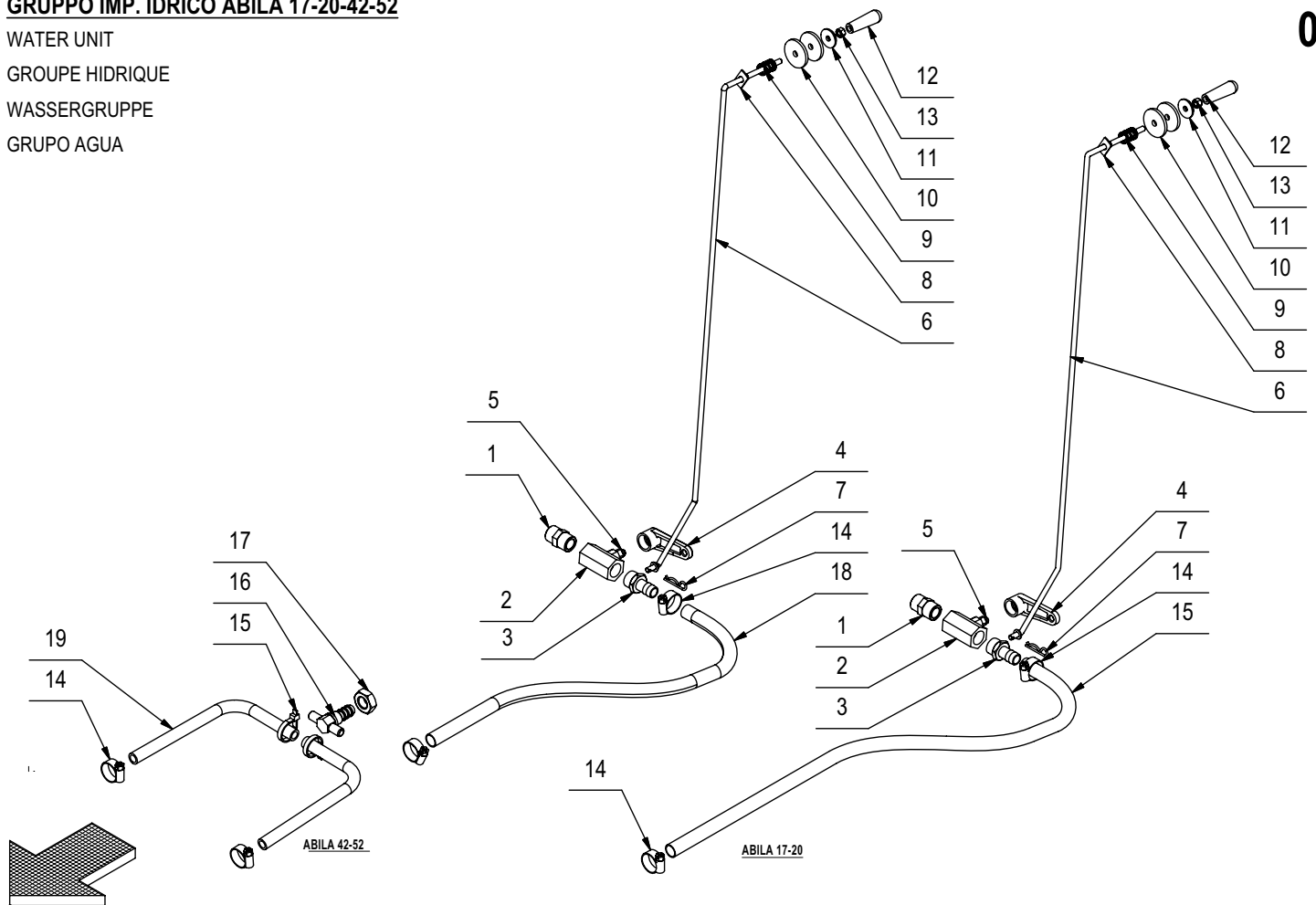
WATER UNIT

GROUPE HIDRIQUE

WASSERGRUPPE

GRUPO AGUA

08



ABILA 42-52

ITEM	SKU	DESCRIPTION	QTY
1	E83943	Nipple, Double Male 3/8"	1
2	E83361	Ball Valve, 5/8 Double Female	1
3	E82269	Barbed Fitting, 3/8 in.	1
4	E83534	Solution valve lever	1
5	E83816	Screw	1
6	E83532	Solution rod	1
7	E83537	Clip	1
8	E83845	Nut, M5	1
9	E82309	Spring, Compression	1
10	E83798	Flat Washer M6x30x3 PVC Black	2
11	E83850	Flat Washer M5x20 SS	1
12	E83639	Solution control knob	1
13	E83535	Hex Nut, M5x5 Zinc	1
14	E83499	Clamp DRS/CRS	4
15	E81565	Clamp, 4.8x200 Black	2
16	400884	DISTRIBUTORE SENZA LAMELLA	1
17	E88198	Nut	1
18	E82693	Hose, 17 OD x 12 ID x L 420	1
19	E82494	Tube, Solution Abila	2

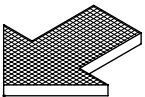
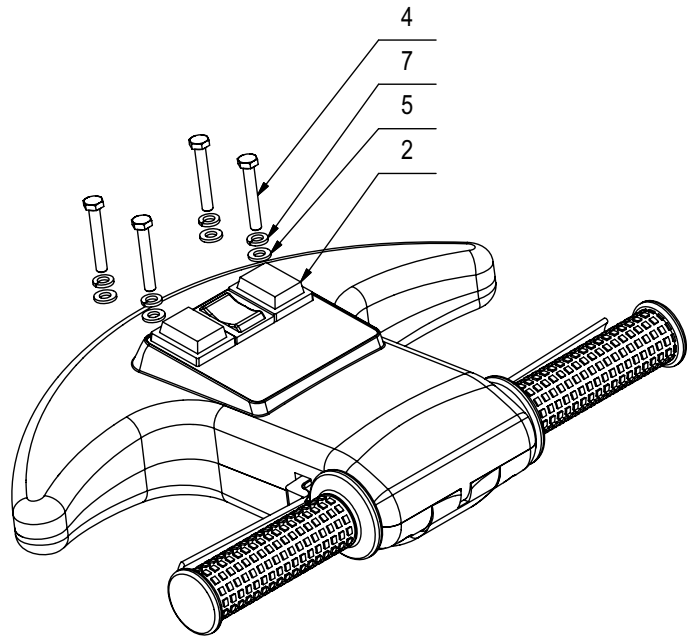
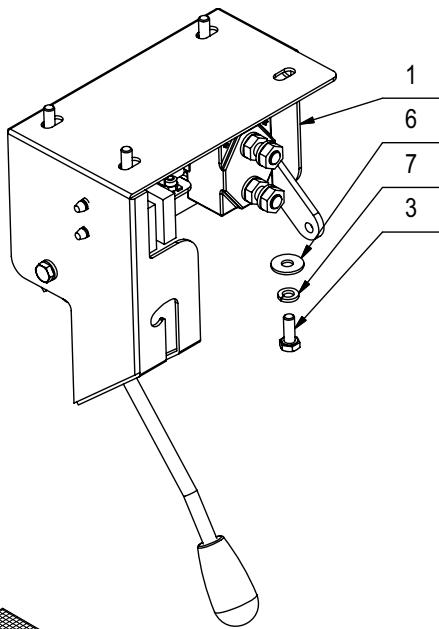
ABILA 17-20

ITEM	SKU	DESCRIPTION	QTY
1	E83943	Nipple, Double Male 3/8"	1
2	E83361	Ball Valve, 5/8 Double Female	1
3	E82269	Barbed Fitting, 3/8 in.	1
4	E83534	Solution valve lever	1
5	E83816	Screw	1
6	E83532	Solution rod	1
7	E83537	Clip	1
8	E83845	Nut, M5	1
9	E82309	Spring, Compression	1
10	E83798	Flat Washer M6x30x3 PVC Black	2
11	E83850	Flat Washer M5x20 SS	1
12	E83639	Solution control knob	1
13	E83535	Hex Nut, M5x5 Zinc	1
14	E83499	Clamp DRS/CRS	2
15	E82306	Hose	1

GRUPPO IMP. ELETTRICO ABILA B

ELECTRIC COMPONENTS
COMPOSANTS ELECTRIQUES
ELEKTROTEILE
COMPONENTES ELÉCTRICOS

09A



ITEM	SKU	DESCRIPTION	QTY
1	202966	ELECTRIC SYSTEM	1
2	200822	HANDLE BAR	1
3	E83547	M6x16 Bolt, Zinc Hex Head	4
4	E81983	Hex Bolt M6x40 Zinc	4
5	E82761	Washer 6x12x1.6	4
6	E82798	Washer, 6x18x1.5	4
7	E82774	Lock Washer, M6 Zinc	8

PREM. MANUBRIO ABILA B

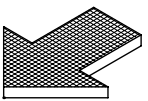
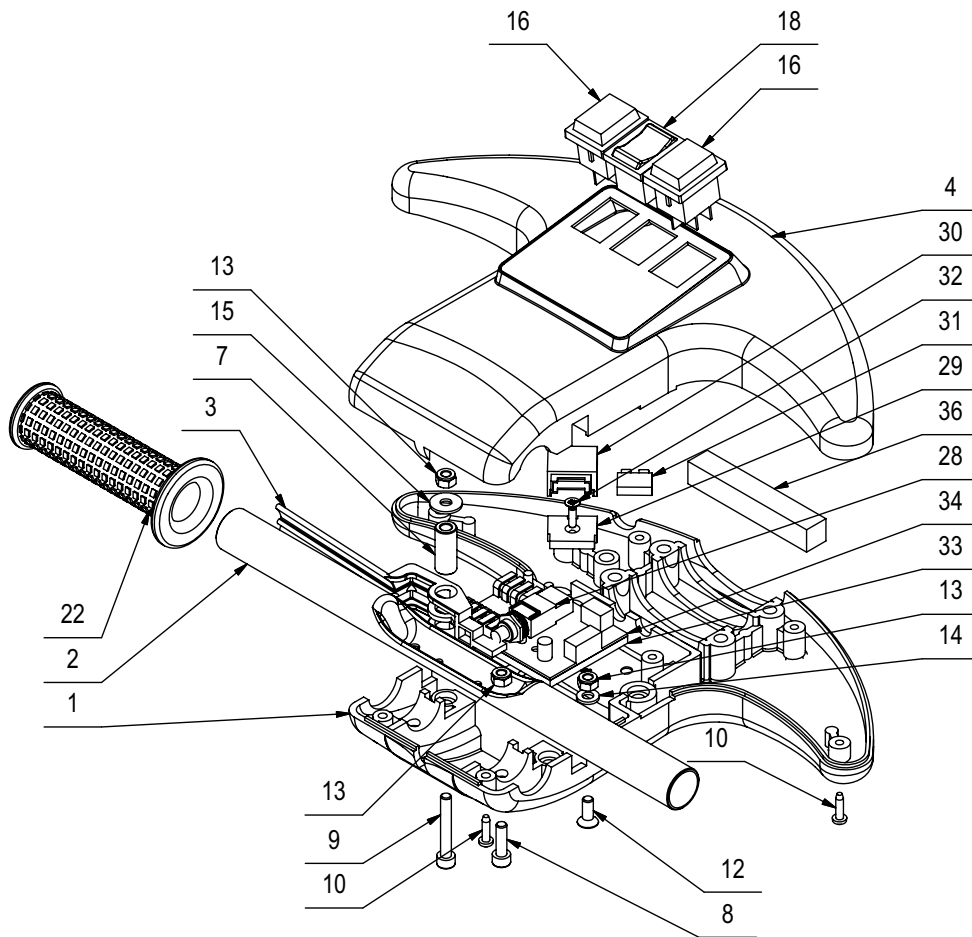
HANDLE BAR

TIMON

LENKSTANGE

MANILLAR

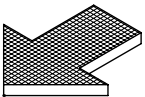
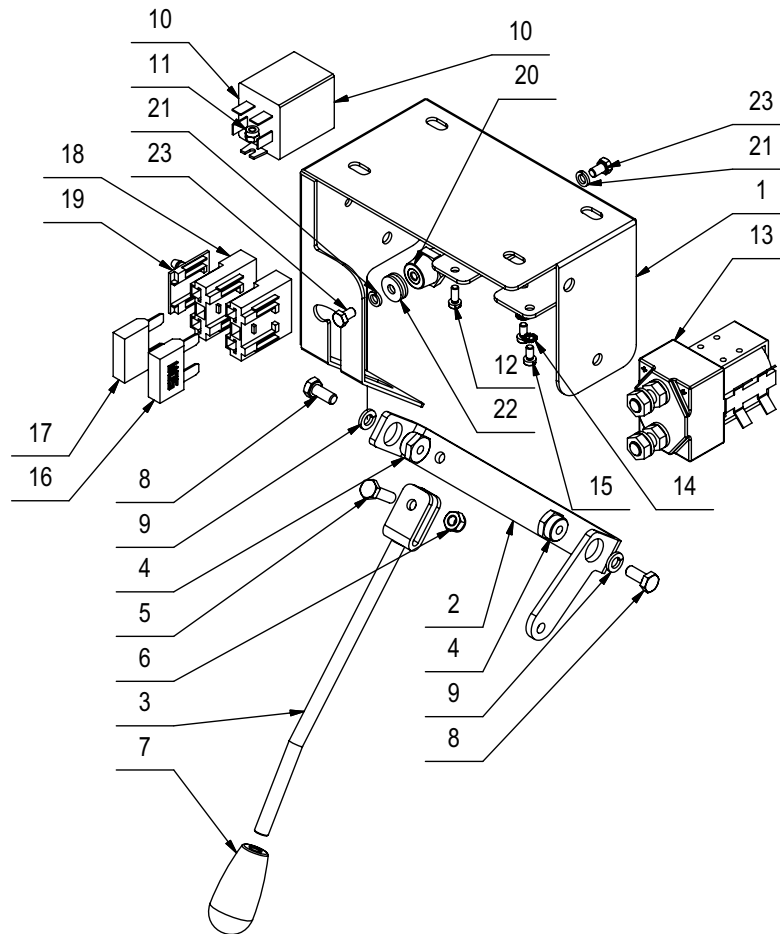
10A



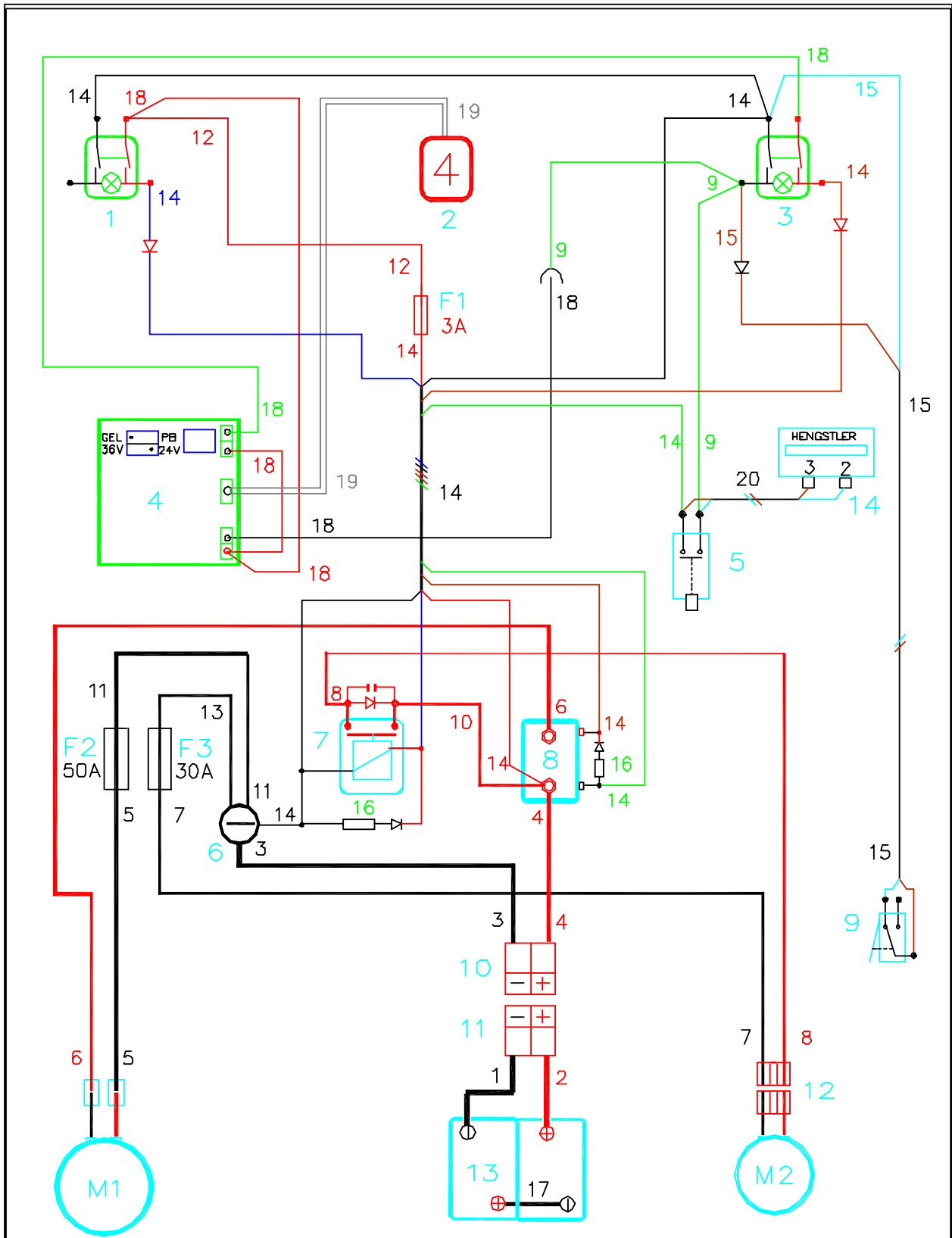
ITEM	SKU	DESCRIPTION	QTY
1	E83407	Handle bar body WS17	1
2	E83408	Handle bar (pipe) WS17	1
3	E83465	WS17 lever	2
4	E83405	Handle bar cover WS17	1
7	E82308	Pin	2
8	408796	VITE M6x20 TCEI UNI 5931 ZINC	2
9	E20342	Soc Hd Cap Screw M6x40 Zinc	2
10	408881	VITE D.4,2x16 AUTOF. UNI 6954	4
12	E88042	Flat Hd Soc Machine Screw M6x16 Zinc	1
13	E83550	NyLoc Hex Nut, M6 Zinc	5
14	E82761	Washer 6x12x1.6	1
15	E82798	Washer, 6x18x1.5	2
16	E83328	Vacuum switch	2
18	E83175	battery level display	1
22	E83615	Handle grip WS17	2
28	E82796	Switch, Momentary	1
29	409869	PIASTRINA ATTACCO	1
30	E88244	Fuse Holder for Crewman AS20B	1
31	E83168	Fuse, 3 amp	1
32	E86144	Screw, Battery Cover	1
33	E82704	Gasket	1
34	E83157	battery indicator card	1
36	209359	PROFILO MOUSSE 15x15x92	1

PREM. IMPIANTO ELETTRICO ABILA B-BT

ELECTRIC COMPONENTS
 COMPOSANTS ELECTRIQUES
 ELEKTROTEILE
 COMPONENTES ELÉCTRICOS

11

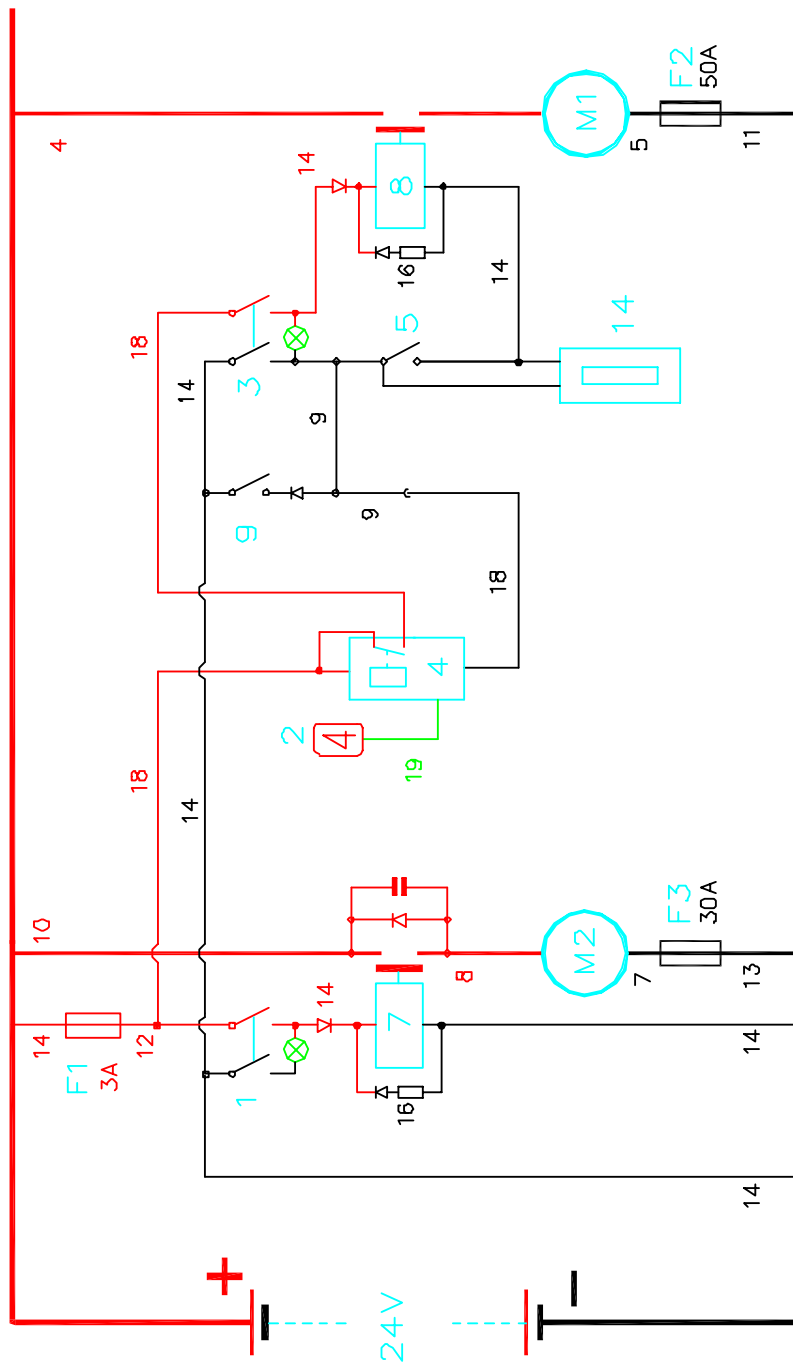
ITEM	SKU	DESCRIPTION	QTY
1	204228	COUPLING	1
2	E83540	Lever WS17	1
3	E82550	Handle - Lever S42	1
4	E82698	bushing	2
5	E82772	Hex Bolt M6x20 Zinc	1
6	E83550	NyLoc Hex Nut, M6 Zinc	1
7	E81477	Knob 25X50 M8	1
8	E82456	Hex Bolt M6x14 Zinc	2
9	E82774	Lock Washer, M6 Zinc	2
10	E83160	Relay 24VDC 30A	1
11	E83867	Nyloc Hex Nut, M4x6 Zinc	1
12	E83887	Screw M4X10	1
13	E83628	Contactora 24VDC	1
14	E81954	Washer, Lock	2
15	E83816	Screw	2
16	E82305	Fuse 50A faston brushes motor	1
17	E83972	Fuse 30A fasten	1
18	E81642	Fuseholder	2
19	E88497	Fuse Block End Cap	1
20	E83664	Insulator WS17	1
21	E20123	Lock Washer M5x1.6 Zinc	2
22	E20122	Flat Washer M5 x 15 x 1.5 SS	2
23	E81437	Screw	2
24	427722	CABLES	1



Dalla Matricola 03004404

03	13/01/04	Diventa Abila 17-42-52	Olivo	Zanardi	Guerra
02	16/12/02	Eliminato diodo su cavo 9	Olivo	Dalla Verde	Guerra
01	12/02/2002	Introduz. scheda contr. batt.+cambio numeraz.fusibili+Abila	Olivo	Dalla Verde	Guerra
REV.	DATA	MOTIVO	DISEGNATO	CONTROLLATO	APPROVATO

COMO S.p.A.			S. Giovanni Lupatoto VERONA		
DISEGNATO	Olivo	CONTROLLATO	Dalla Verde	APPROVATO	Guerra
MACCHINA	Abila 17-42-52			DATA REVISIONE a	04/10/2001
GRUPPO	Impianto Elettrico			CODICE	75124005
OGGETTO	Schema Impianto Elettrico e componenti			N° DISEGNO	24.51.02



Dalla Matricola 03004404

03	13.01.04	Diventa Abila 17-42-52	Olivo	Zanardi	Guerra
02	16.12.02	Eliminato diodo su cavo 9	Olivo	Dalla Verde	Guerra
01	12/02/02	Introduz. scheda contr.bat.+ cambio numeraz. fusibili+Abila	Olivo	Dalla Verde	Guerra
REV.	DATA	MOTIVO	DISEGNATO	CONTROLLATO	APPROVATO

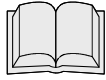
COMMA S.p.A.

S. Giovanni Lupatoto VERONA

DISEGNATO	Olivo	CONTROLLATO	Dalla Verde	APPROVATO	Guerra	DATA REVISIONE o	04/10/2001
MACCHINA	Abila 17-42-52					CODICE	75124005
GRUPPO	Impianto Elettrico					N°	DISEGNO 24.51.01
OGGETTO	Schema Funzionale						

ITEM	SKU	DESCRIPTION	ITEM	SKU	DESCRIPTION CABLES
1	E83328	Vacuum switch	1-2	68024001	Cables black-red+battery terminals +
2	E83175	battery level display	3-4	68024002	Cables black-red + conn. 50A -3/4-
3	E83328	Vacuum switch	5-6	68024003	Cables black-red with couplings -5/6-
4	E83157	battery indicator card	7-8	68024004	Cables black-red + conn. 30A -7/8-
5	E82796	Switch, Momentary	9	E83844	Cable
6	E83664	Insulator WS17	10	E86168	Cable, Red/Diode/Condenser
7	E83160	Relay 24VDC 30A	11	68024007	Cable black -11-
8	E83628	Contactora 24VDC	12	68024018	Cable red -12-
9	E83164	Micro Switch	13	68024009	1 Cable black -13-
10	E83253	Male connector lug (Fr.)	14	68024010	Cable 5x1 + black bridges -14-
11	72700012	Connector female 50A	15	68024011	2 Cables blue-brown -15-
12	72700007	Connect. double 30A suction motor	16	E82372	Diode and Resistance w/ Terminal
13	E11767	Batteries	17	68024013	Cable black battery bridge -17-
14	72904005	Hourmeter self-fed (optional)	18	68024017	3 Cables black-red-green+conn.+brid.
M1	E82576	Brush Motor 24VDC 400W	19	68000892	Cable display battery signal -19-
M1	68200550	Brushes motor 24V (Abila 17)	20	68024016	2 Cables blue-brown -20- (opt.hourm.)
M2	E83454	Motor asp 24 volt			
F1	E83168	Fuse, 3 amp			
F2	E82305	Fuse 50A faston brushes motor			
F3	E83926	Fuse 301 faston suction motor			

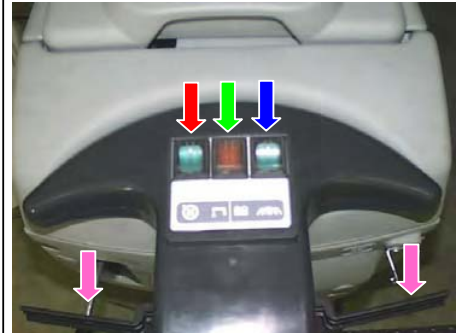
REPLACE AND DELETE THE DOCUMENT RC2400 REV 03 OF 10/2005



READ THE USE AND MAINTENANCE HANDBOOK

Inspection electric system

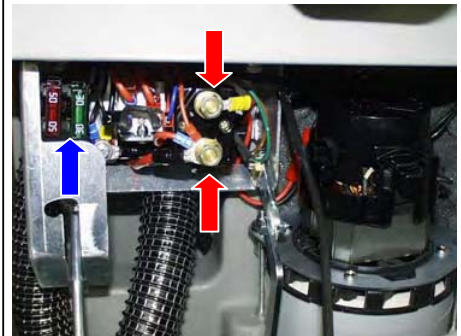
1. Check the functionality of the electric system:
 - brush motor (the motor ignition depends on the double consent of the **brush switch** and the **control levers**)
 - suction motor (ignite the motor through the **suction switch**).



2. Check the double function of the **display**, situated in the centre of the instrument board:
 - Under working conditions it is an indicator of the batterie's charge level (4 full charge, 0= stop of the brush motor)
 - When no motor is activated the display indicates the open solution cock, when it remains lighted up.

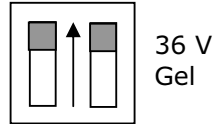
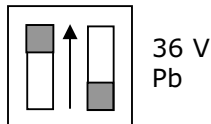
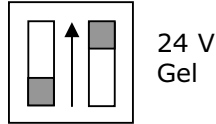
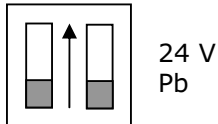


3. Check the tightness of the **power contacts** of the electric system situated in the upper back part of the machine (behind the back panel).
4. Check the conditions and the correct assembly of the **fuses**.

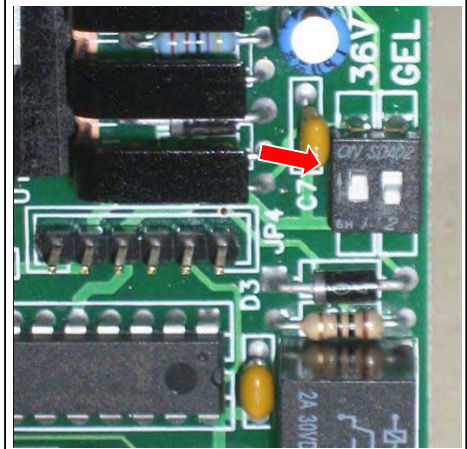
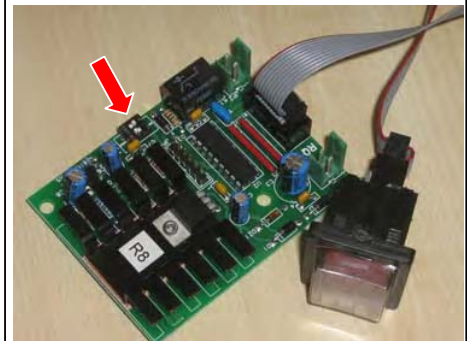


Adjustment battery check card

1. Check-up the right set-up of the battery check card. The adjustment can be performed by **microswitches**.
2. The possibles configurations are the following:

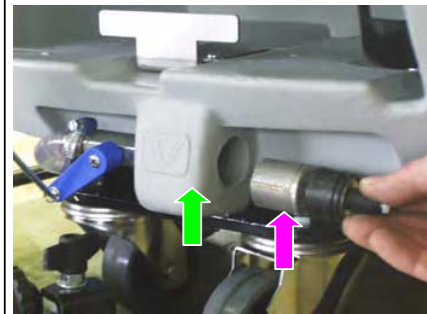


The right configuration is one of the two above depending on the battery type.



Inspection of the water system

1. Fill up the solution tank and check the tightness of the fittings and in particular the gaskets of the **solution cock** and on the **solution filter**.
2. Check the distribution of water on the floor under the brush base is uniform and proportional to the **opening** of the solution cock. If necessary check the cleaning of the cock (see also next paragraph).
3. Check the internal cleaning of the filter and clean it if necessary and remove the obstructions.
4. Clean the tank and let the water out of **opening**.

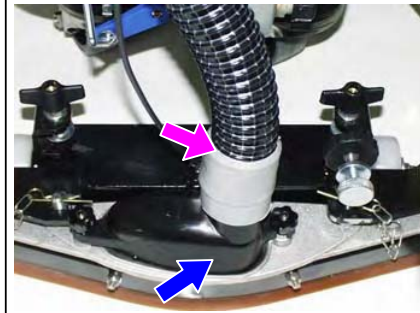


Aspiration test

1. To verify cleaning and functionality of the **filter - float**. The rod of the float has to move freely in the center of the filter.
2. Check, once closed, the tightness of the **cover** on the recovery tank verifying the complete tightness of the **gasket** on the flange filter.



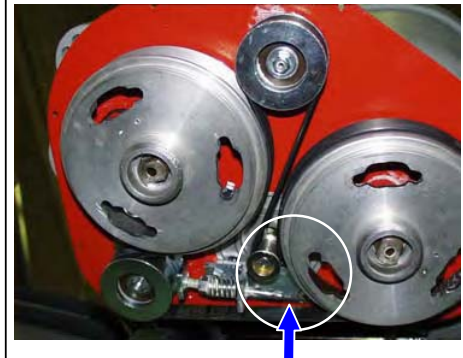
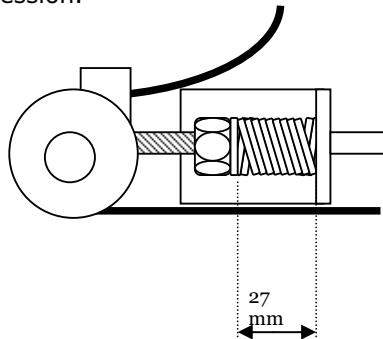
3. To verify the correct insertion and the tightness of the **couplings** on the suction motor, on the squeegee and on the cover.
4. Check the tightness of the gaskets on the **squeegee mouthpiece**.



Brush base adjustment

1. Tension adjustment of the pulleys brush belt

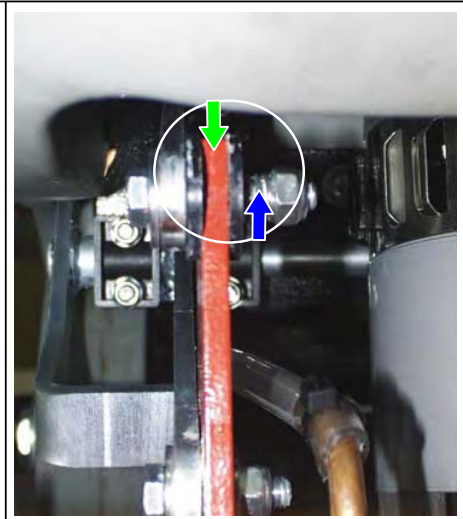
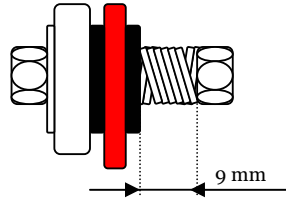
Adjust the **spring of the belt-tightener** to the length of 27mm in compression.



2. Spring adjustment friction for inclination brush base

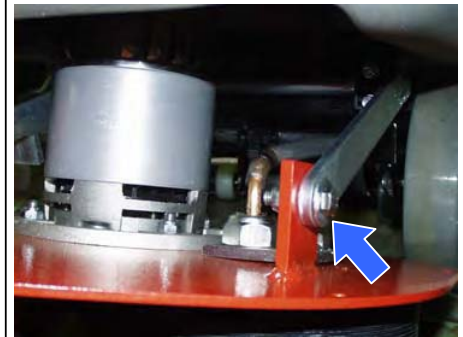
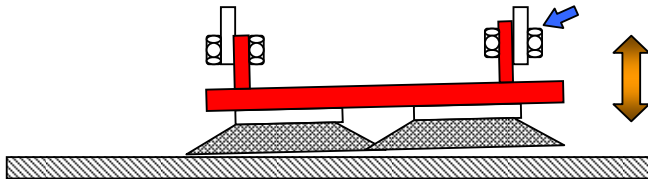
Adjust the **lock nut** in order to have a **spring** length of 9 mm.

The correct regulation guarantees a tender and gradual inclination of the brush base.



3. Regulation horizontal inclination brush base

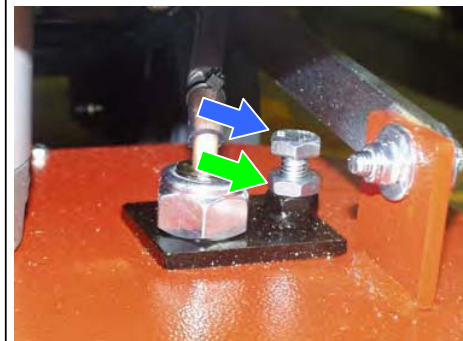
- Position the machine on a plain and regular floor
- Assemble the brushes and lower the brush base onto the floor.
- To loosen **nut** of the left lifting arm and adapt the brush base in the a right position to the floor.
- The slot rod of the brush base will be positioned automatically in the correct way.
- Screw nut and bolt.
- With this operation you set up a correct earth alignment of the brush base for a uniform floor cleaning.



4. Traction adjustment

In order to adjust the traction operate upon the **screw** shown in the picture after having loosen the **nut**:

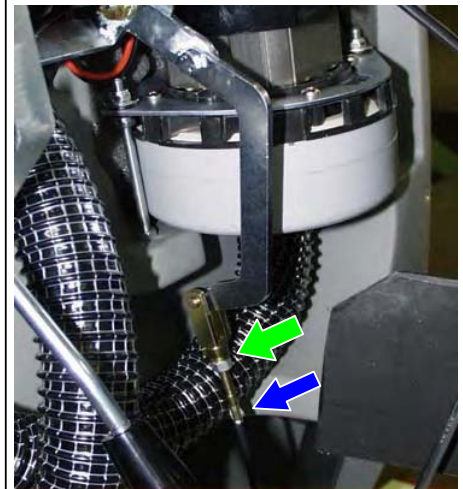
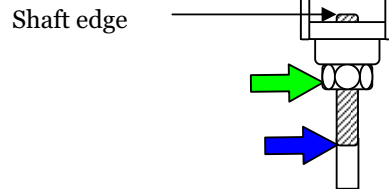
- Screw in order to increase the traction effect
- Unscrew in order to decrease the traction effect
- Fix the nut after the adjustment.



Squeegee adjustment

1. Adjustment squeegee lifting

- Loose the **nut**.
- Screw the **threaded shaft** until the head of the shaft arrives to the fork base.
- Fix the nut.



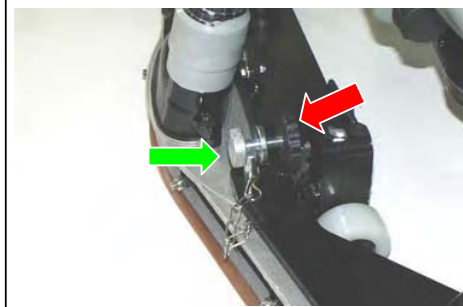
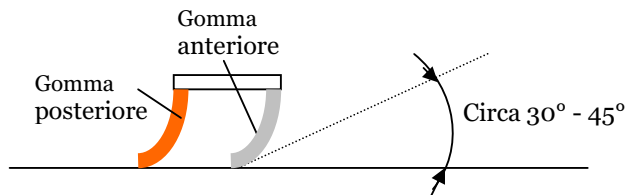
2. Squeegee adjustment

The rubbers must have a inclination from 30° to 45° with respect to the floor and uniform over the complete squeegee length

For establishing this situation act upon the **knobs** for the regulation of the height and the balancing right/left of the squeegee on the floor.

For the rubber inclination act upon the **metal knob** and block the adjustment with the black plastic **hand wheel**.

Make sure that the adjustment is blocked.



Functional inspection of the machine

- Check the functionality of switches and lamps;
- Check the brush assembly functionality;
- Check the functionality of brush motor;
- Check the functionality of the squeegee;
- Check the functionality of suction motor;
- Check the functionality of handbrake;
- Check the conditions of battery connectors and cables;

Functional test of the machine

- Fill the tanks with water and check their tightness;
- Check that solution fall on the brushes equally;
- Check the squeegee wheels with a functional test;
- Adjust the brush pressure and the brush assembly inclination doing a functional test;
- Check the functionality of the water cock;
- Check the braking efficiency;

Final inspections

Control all functions: scrubbing, suction, traction.

BETCO US WARRANTY POLICY

10 year coverage

Subject to the conditions stated below, Betco warrants parts and labor on rotationally molded polyethylene tanks/housings and injection molded vacuum head assemblies to be free from defects in materials and workmanship for a period of ten years to the original purchaser.

3 Year Coverage

Subject to the conditions stated below, Betco warrants parts and labor on all other Betco components to be free from defects in materials and workmanship for a period of three years to the original purchaser.

1 Year Coverage

Subject to the conditions stated below, Betco offers a limited warranty on parts and labor on the following equipment: parts and accessories to be free from defects in materials and workmanship for a period of one year to the original purchaser.

- DM Series Vacuums: #85506-00, #85507-00
- Bac Pac Lite Vacuum: #85903-00
- FiberPRO® Floor Dryer: #85507-00
- WORKMAN™ Series Vacuums: #85024-00, #85025-00, #85026-00, #85027-00
- CV100T Vacuum: #85023-00
- All Tools and Accessories
- All Battery Chargers
- All Batteries are pro-rated for 1 year

Allowable Travel Time Warranty Reimbursement:

Eligible equipment: All battery and propane powered equipment products. Warranty period: 90 days from date of sale to the original purchaser. A maximum 60 mile round trip at 44 cents per mile will be allowed for warranty consideration.

Propane Machine Warranty:

Honda engines are warranted by Honda for a period of 2 years against manufacturer defects. Kawasaki engines are warranted by Kawasaki for a period of 2 years against manufacturer defects. All other components (except wear items)* are warranted by Betco for a period of 3 years.

***Wear Items exempt from Warranty consideration include but may not be limited to: power cords, transport wheels, vacuum bags, belts, squeegee blades, pad drivers, clutch plates, handle grips, filters, screens, throttle cables, brushes and carbon brushes.**

Subject to the conditions and exceptions stated in this warranty, Betco warrants the Betco products to be free from defects in material and workmanship, under normal use and service, for the periods listed under the warranty policy to the original purchaser. At any time during the warranty period, Betco will furnish replacement parts for the Betco parts to the original purchaser. Such parts will be furnished and charged including transportation costs, to the original owner through any Betco authorized Service Distributor. If the original part is returned within the warranty policy period from date of delivery for inspection by Betco and is found to be defective the owner will be credited for the cost of replacement parts plus shipping and handling. Replacement parts that have become defective through wear or abuse are not included in this warranty.

This warranty does not apply to damage or defect caused by accident, misuse, negligence, fire, or to any Betco product which has been serviced or repaired by other than an authorized Betco Service Distributor or Betco factory personnel. This warranty is void if products are used for any purpose other than that which was intended. There are no other warranties expressed or implied. In no event shall Betco be liable for incidental or consequential damages or any damage to person or property. (Please note some states do not allow the exclusion or limitations for incidental and consequential damages)

