



E85806-00
E85807-00



DM1400T & DM1800T

14" and 18"
Upright Vacuum



*Telescoping
wand feature*



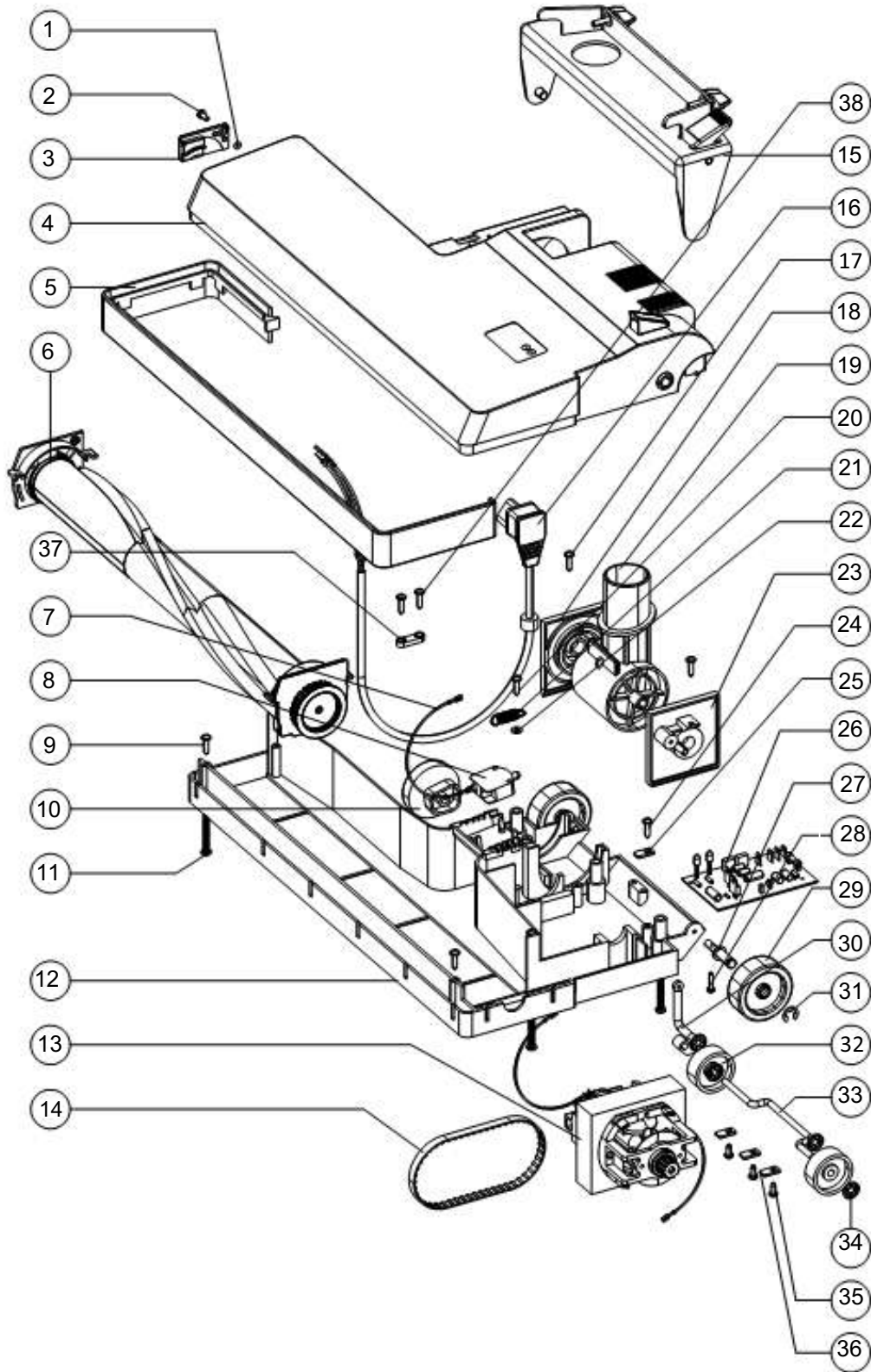
*Onboard
tool kit*



*Optional
HEPA filter
available*

**Operator and Parts
Manual**

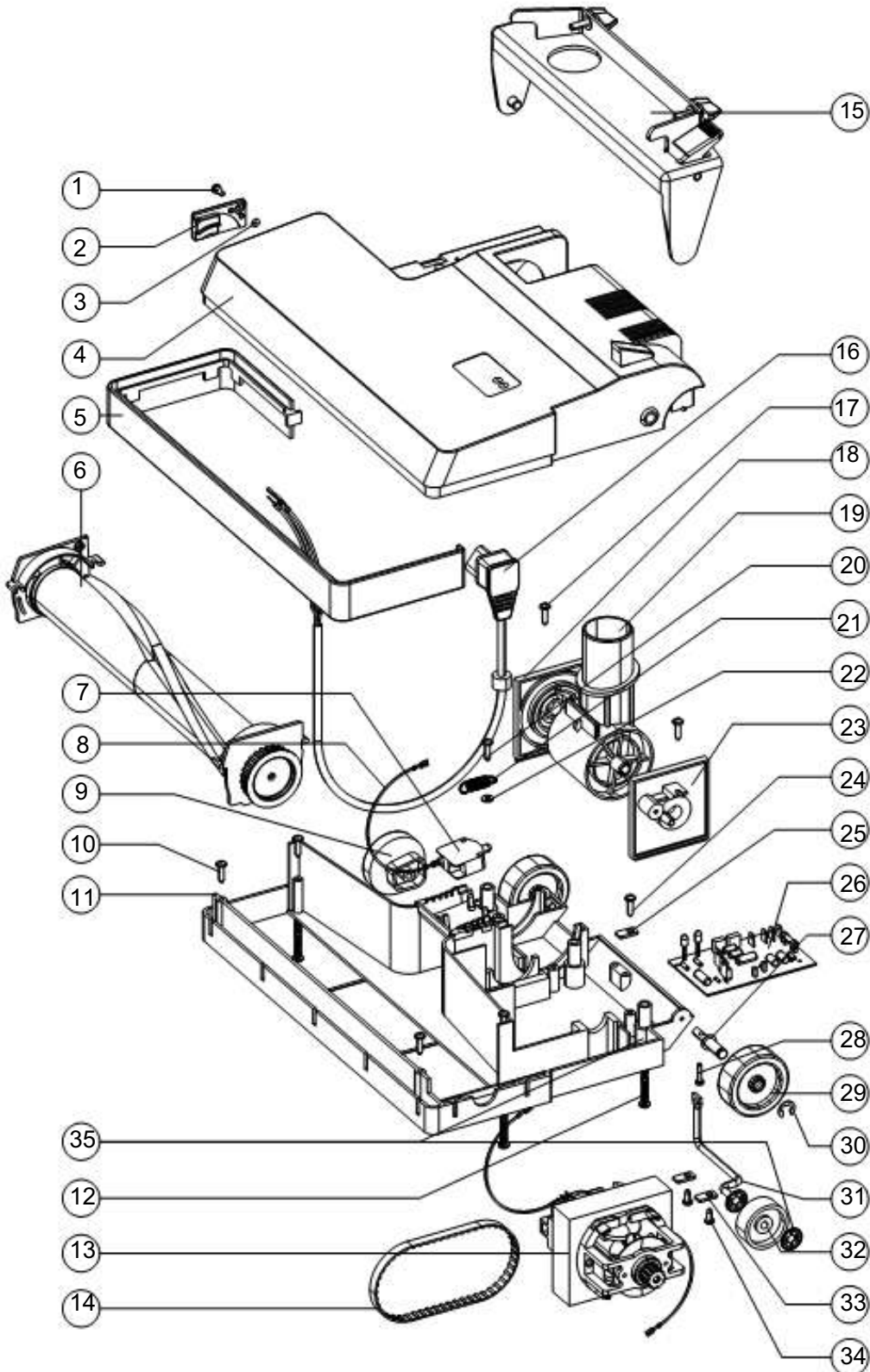
BETCO Drawing Reference A
Sub-assembly bottom compartment DM1800



BETCO Drawing Reference A
Sub-assembly bottom compartment DM1800

ITEM	SKU	DESCRIPTION	QTY
1	E82103	Washer, Fiber 6, 5X2X0.5	1
2	E82097	DM1400/1800 screw	1
3	E82175	DM1400/1800 brush strip cover	1
4	E82234	DM1800 brush cover	1
5	E82176	Brush Bumper Black, 18"	1
6	E82248	DM1800 roller brush complete	1
7	E82198	DM1400/1800 wire	1
8	E82199	DM1400/1800 switch	1
9	E82095	Screw, 4 X 16	4
10	E82245	Front Caster Adjustment Knob	1
11	E82096	DM1400/1800 screw	5
12	E82235	DM1800 brush housing bottom	1
13	E85880	Brush motor 110v	1
14	E86077	Drive Belt 130XL 5/16" New Style	1
15	E82242	DM1400/1800 bracket	1
16	E82227	DM1400/1800 pigtail cord	1
17	E82095	DM1400/1800 screw	1
18	E82243	Swivel Guide Plate W/Felt	1
19	E82178	DM1400/1800 swivel neck	1
20	E82097	DM1400/1800 screw	2
21	E82187	DM1400/1800 spring	1
22	E82104	Washer M4	2
23	E82244	Swivel Guide Plate W/Felt NW	1
24	E82095	DM1400/1800 screw	1
25	E82179	DM1400/1800 front caster shaft plate	4
26	E82201	DM1400/1800 circuit board	1
27	E82185	DM1400/1800 rear caster shaft	2
28	E82095	DM1400/1800 screw	2
29	E82183	DM1400/1800 rear wheel	2
30	E88086	Shaft DM1800	1
31	E82184	DM1400/1800 clip	2
32	E82186	DM1400/1800 front wheel	2
33	E82197	Front Caster Shaft	1
34	E82196	DM1400/1800 starlock washer	4
35	E82097	DM1400/1800 screw	3
36	E82179	DM1400/1800 front caster shaft plate	3
37	E82101	Cable Restrain	1
38	E82222	Screw 4.2 X 1.3	2

BETCO Drawing Reference B
Sub-assembly bottom compartment DM1400

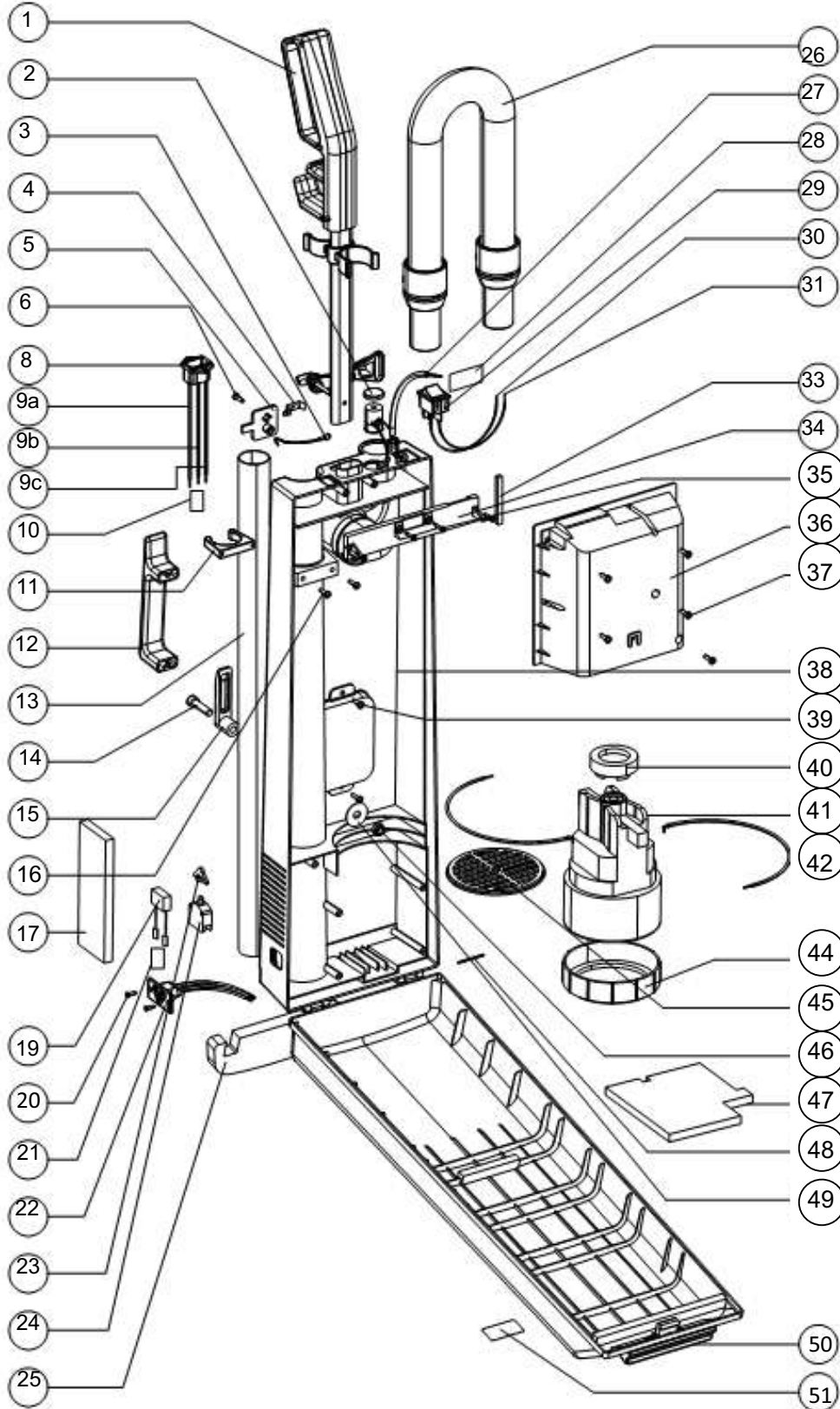


BETCO Drawing Reference A
Sub-assembly bottom compartment DM1400

ITEM	SKU	DESCRIPTION	QTY
1	E82097	DM1400/1800 screw	1
2	E82175	DM1400/1800 brush strip cover	1
3	E82103	Washer, Fiber 6, 5X2X0.5	1
4	E82233	DM1400 brush cover	1
5	E82177	Brush Bumper Black, 14"	1
6	E82247	DM1400 roller brush complete	1
7	E82199	DM1400/1800 switch	1
8	E82198	DM1400/1800 wire	1
9	E82245	Front Caster Adjustment Knob	1
10	E82095	Screw, 4 X 16	4
11	E82236	DM1400 brush housing bottom	1
12	E82096	DM1400/1800 screw	5
13	E85880	Brush motor 110v	1
14	E86077	Drive Belt 130XL 5/16" New Style	1
15	E82242	DM1400/1800 bracket	1
16	E82227	DM1400/1800 pigtail cord	1
17	E82095	DM1400/1800 screw	1
18	E82243	Swivel Guide Plate W/Felt	1
19	E82178	DM1400/1800 swivel neck	1
20	E82097	DM1400/1800 screw	2
21	E82187	DM1400/1800 spring	1
22	E82104	Washer M4	2
23	E82244	Swivel Guide Plate W/Felt NW	1
24	E82095	DM1400/1800 screw	2
25	E82179	DM1400/1800 shaft plate	4
26	E82201	DM1400/1800 circuit board	1
27	E82185	DM1400/1800 rear caster shaft	2
28	E82095	DM1400/1800 screw	2
29	E82183	DM1400/1800 rear wheel	2
30	E82184	DM1400/1800 clip	1
31	E82195	DM 1400 Front Castor Shaft	2
32	E82186	DM1400/1800 front wheel	2
33	E82179	DM1400/1800 front caster shaft plate	1
34	E82097	DM1400/1800 screw	4
35	E82196	DM1400/1800 starlock washer	3
36	E82179	DM1400/1800 front caster shaft plate	3

BETCO Drawing Reference C115
Sub-assembly top
Compartment DM1400 1800

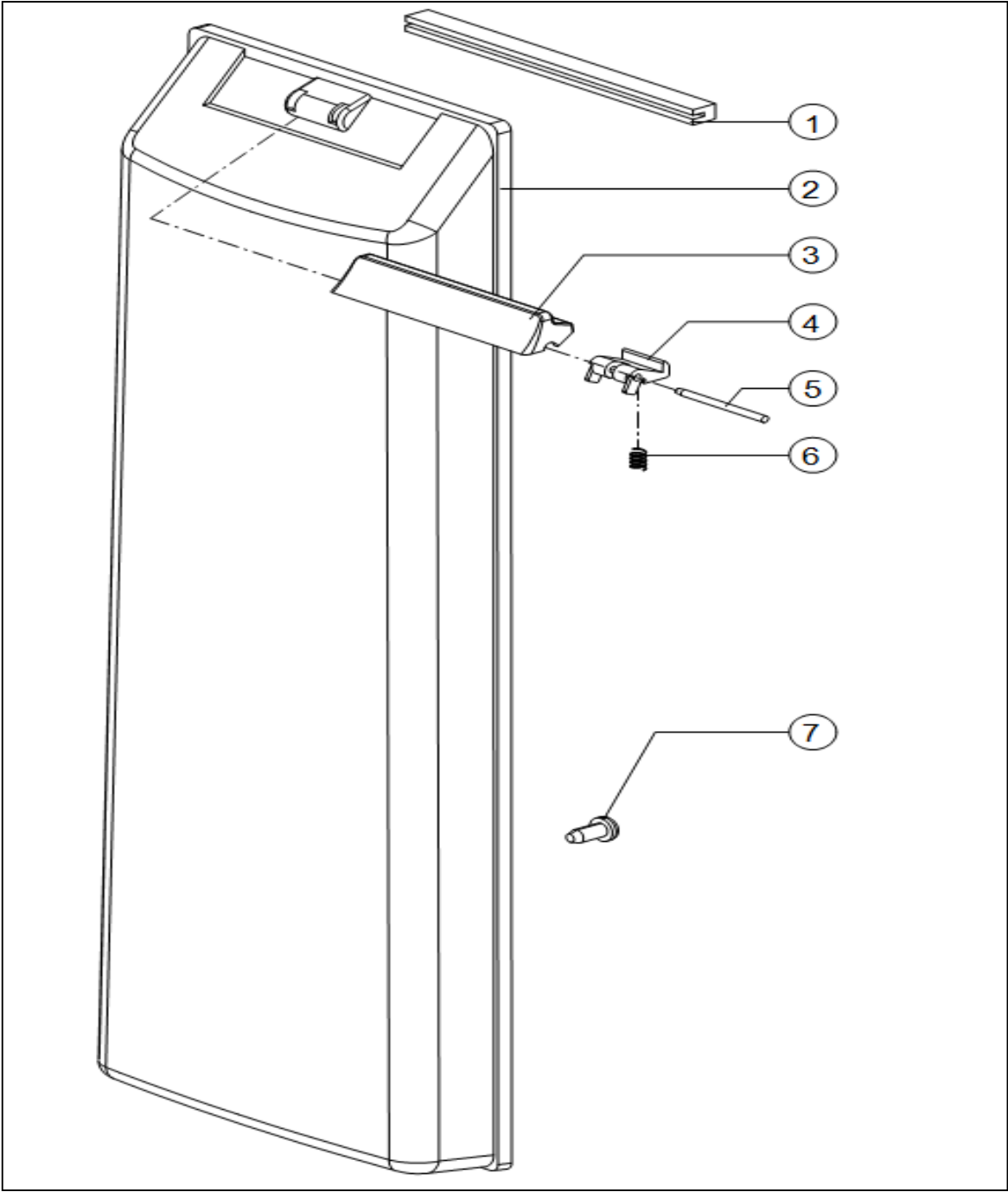
115Volt



BETCO Drawing Reference C115 Sub-assembly top Compartment DM1400 1800

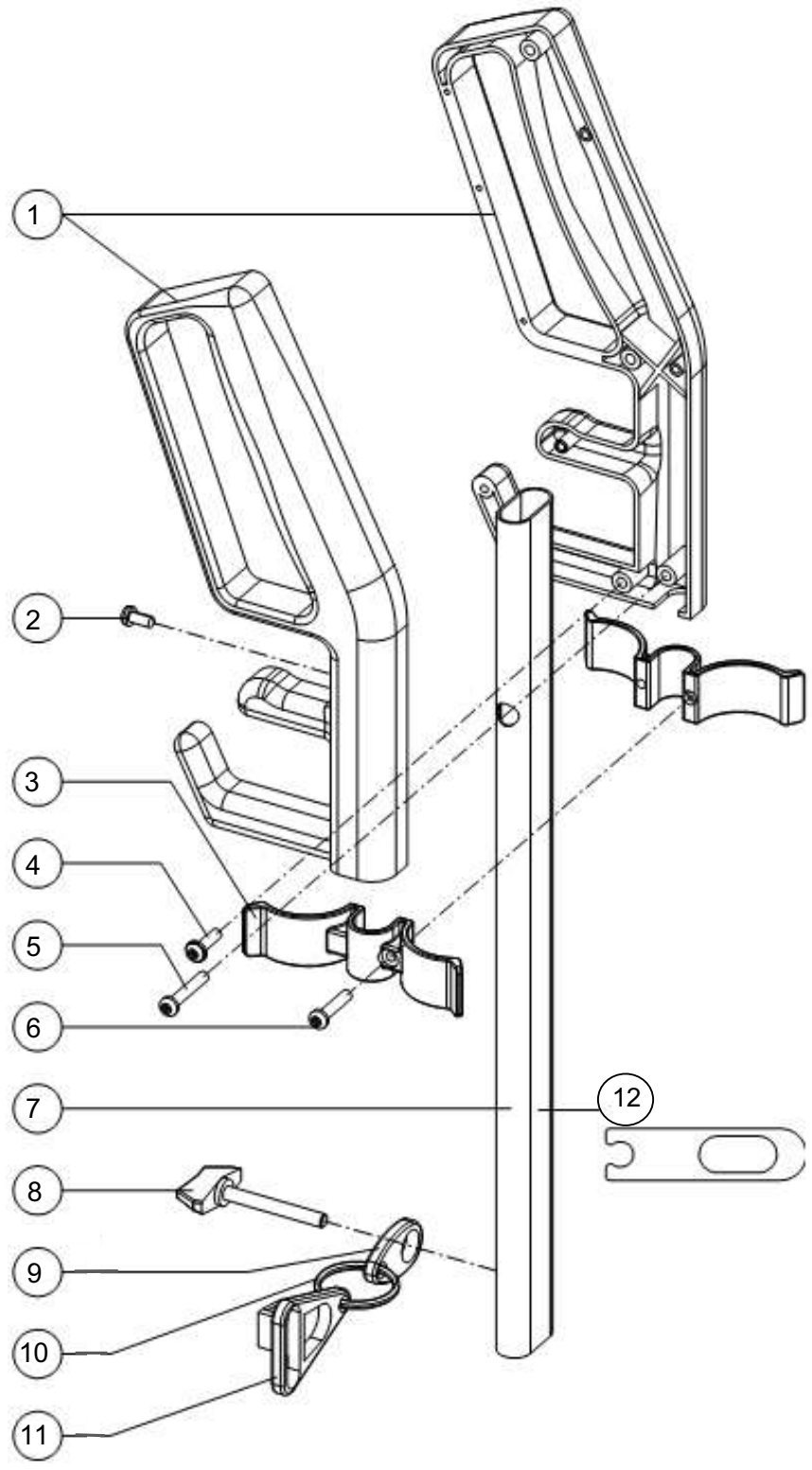
ITEM	SKU	Description	QTY
1	E82237	Handle assembly complete, aluminum	1
2	E82129	Top indicator paper bag full	1
3	E82135	Antistatic wire 50mm RNER CSA	1
4	E82134	Antistatic discharge	1
5	E82131	Antistatic cover	1
6	E82095	Screw 4x16 flat head	1
8	E82226	Inlet 3 Pole click C6/C9E	1
9a	E82220	Wire white 1 mm 2 220mm F/F CSA	1
9b	E82219	Wire black 1 mm 2 220mm F/F CSA	1
9c	E82148	Wire GR/YEL 100mm F/F CSA	1
10	E82217	Connection Bracket 1P	1
11	E82132	Wand locker, yellow	1
12	E82133	Rear body handle	1
13	E82116	Wand 32mm aluminum telescopic	1
14	E82223	Screw Hexagon M8x30	1
15	E82216	Cable hook external black NE	1
16	E82095	Screw 4x16 flat head	2
17	E82138	Foam filter vent	1
19	E82158	Supr. FRI Hoov with term	1
20	E82100	Screw 3, 5x13	2
21	E82218	connection Bracket 3P	1
22	E82229	3 Pole model CSA PL/PL/PL	1
23	E82146	Switch actuator yellow	1
24	E82147	Switch normally open	1
25	E82160	Bumper cell rubber EPDM black ZK	1
26	E82239	Hose complete 32mm, black 0.5m	1
27	E82230	Main wire 120/230 volt CSA	1
28	601895	Label	1
29	E82128	Switch 4P with green light	1
30	E82219	Wire black 1 mm 2 220mm F/F CSA	1
31	E82220	Wire white 1 mm 2 220mm F/F CSA	1
33	E82102	Gasket 6x5mm neoprene sealed ZK	1
34	E82130	Electric Cover	1
35	E82093	Screw 3, 5x16	4
36	E82151	Motor Housing	1
37	E82095	Screw 4x16 flat head	5
38	E82231	Rear body assembly, gray	1
39	E82095	Screw 4x16 flat head	2
40	E82159	Mounting block motor	1
41	E82241	Motor vacuum 115v	1
42	E82150	Wire BL 1 mm2 200mm PL/PL CSA	2
44	E82157	Top rubber motor	1
45	E82142	Motor grill	1
46	E82224	Nut nylon M8	1
47	E82137	Foam motor vacuum	1
48	E82154	Door hinge shaft	2
49	E82225	Washer plan M8x30	1
50	E82232	Front door assembly, gray	1
51	06.0189.X	Label	1

BETCO Drawing Reference E
 Front door assembly DM1400/1800



ITEM	SKU	DESCRIPTION	QTY
1	06.0061.1	Door Stop	1
2	E82232	DM1400/1800 front door assy	1
3	E88098	Door Opener, Black DM1400/1800	1
4	E88101	Door Locker DM1400/1800	1
5	E88099	Shaft Locker Cover DM1400/1800	1
6	E88100	Spring, Door Opener DM1400/1800	1
7	E82099	DM1400/1800 screw	1

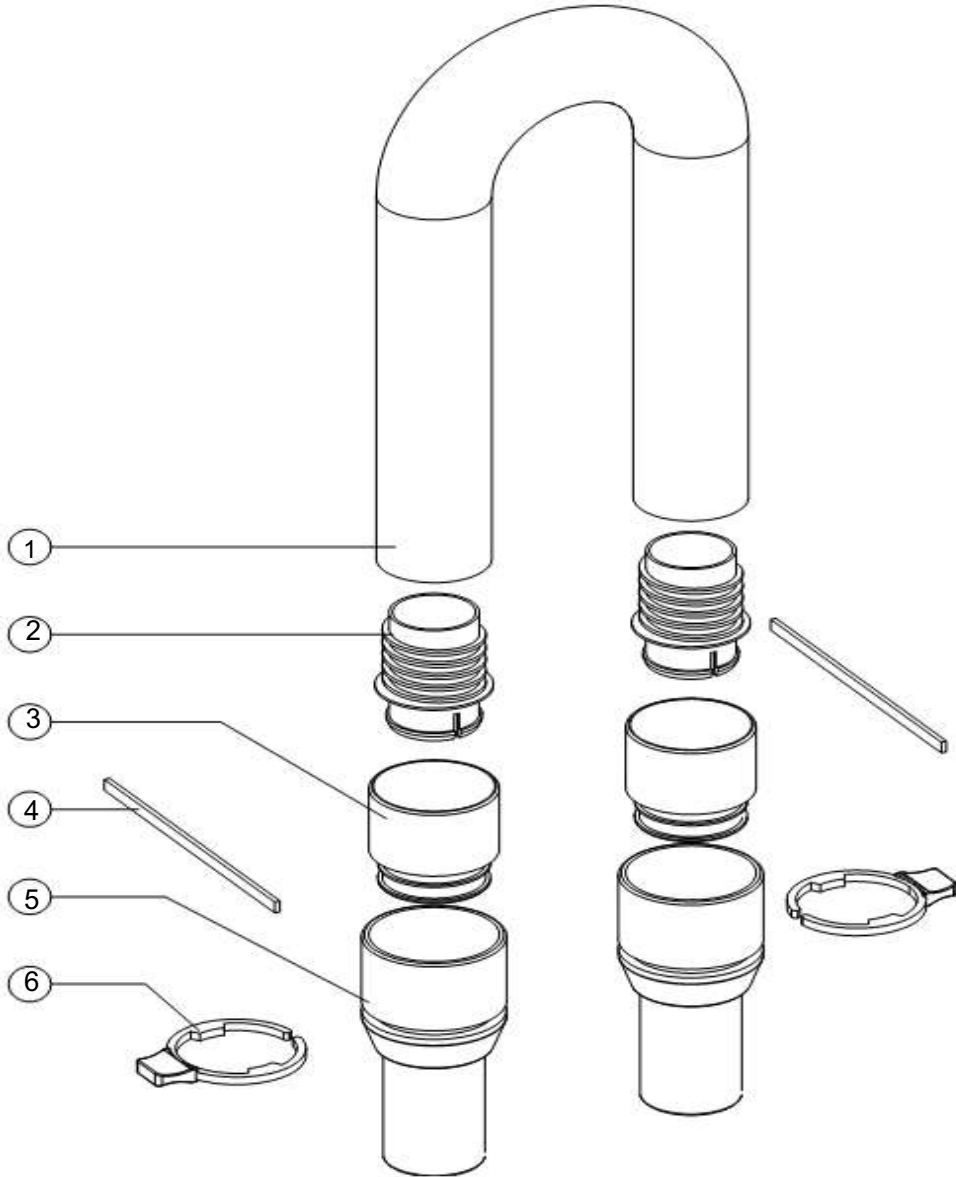
BETCO Drawing Reference F
S.01.0011.0
Handle assembly DM1400/1800



BETCO Drawing Reference F
Handle assembly DM1400/1800

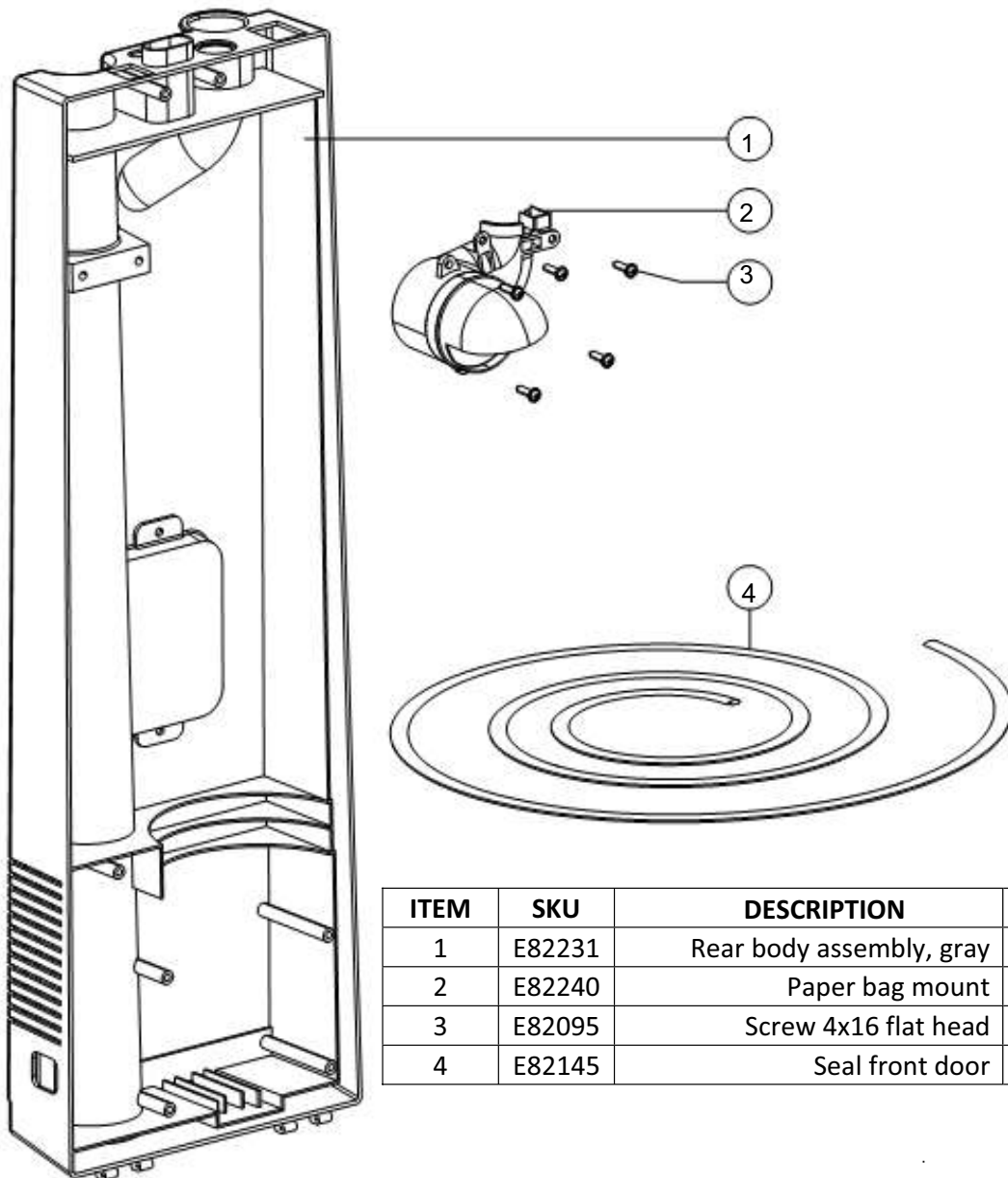
ITEM	SKU	DESCRIPTION	QTY
1	E82112	Handle left and right	1
2	E82097	Screw 4x10	1
3	E82114	Holder tool	2
4	E82095	DM1400/1800 screw	3
5	E82094	DM1400/1800 screw 3.5 x 25	1
6	E82098	Screw 4x20	2
7	E82115	Tube oval aluminum	1
8	E82155	Thumb screw 5 x 40, handle	1
9	E82124	Cable restrain 1/2 part CAN SI	1
10	E82125	Metal ring diam. 30mm 1/2 part	1
11	E82126	Cable restrain 1/2 part cable	1
12	E82113	Holder cable	1

Drawing Reference G
Hose assembly with cuffs DM1400/1800



ITEM	SKU	DESCRIPTION	QTY
1	82117	Hose stretch 50mm 32mm, black	1
2	82121	Hose end	2
3	82119	Hose coupling w/o seal, black	2
4	82120	Seal hose coupling 115x5x2	2
5	82115	Hose cuff 32mm, black	2
6	82118	Hose clip with lip, black	2

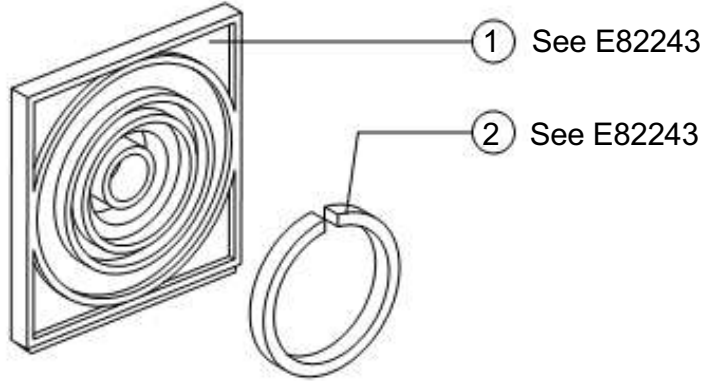
Drawing Reference J
P.04.0052.X



ITEM	SKU	DESCRIPTION	QTY
1	E82231	Rear body assembly, gray	1
2	E82240	Paper bag mount	1
3	E82095	Screw 4x16 flat head	5
4	E82145	Seal front door	1

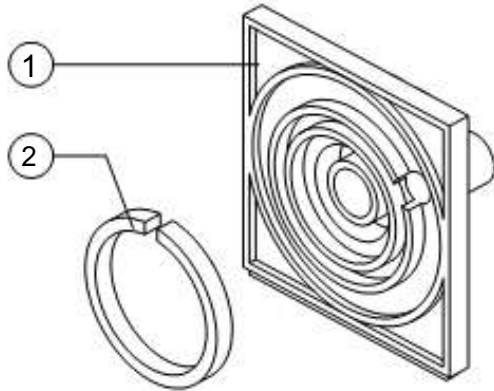
Drawing Reference L - 32 mm
FAST Specification

E82243
Swivel guiding plate with felt UP 350/460

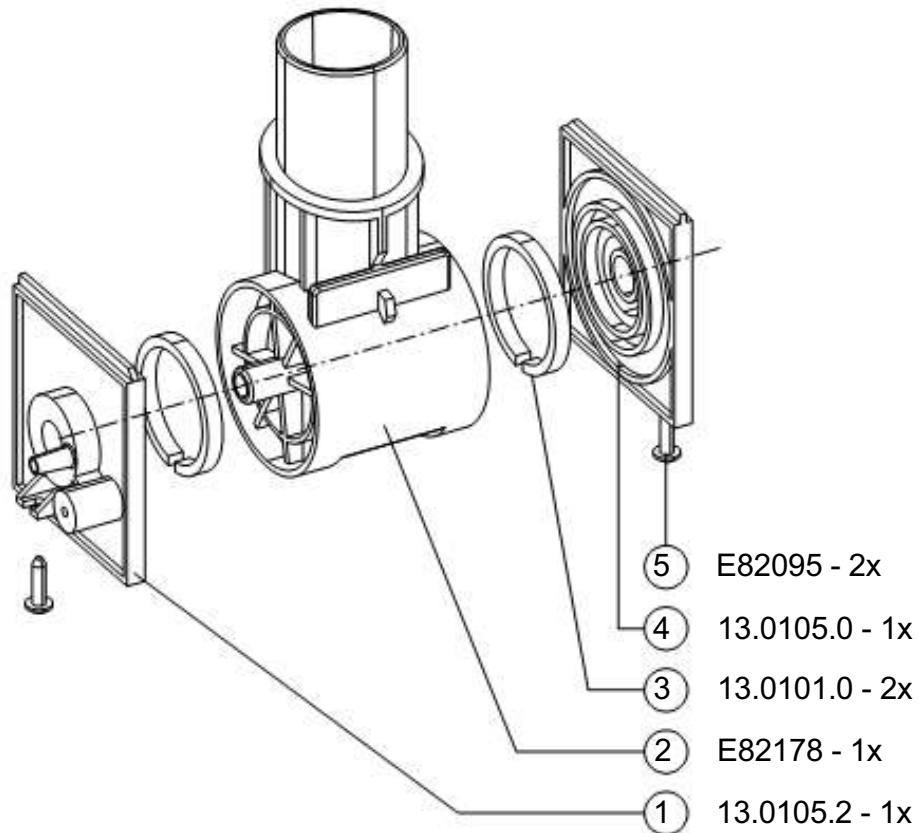


See E82244

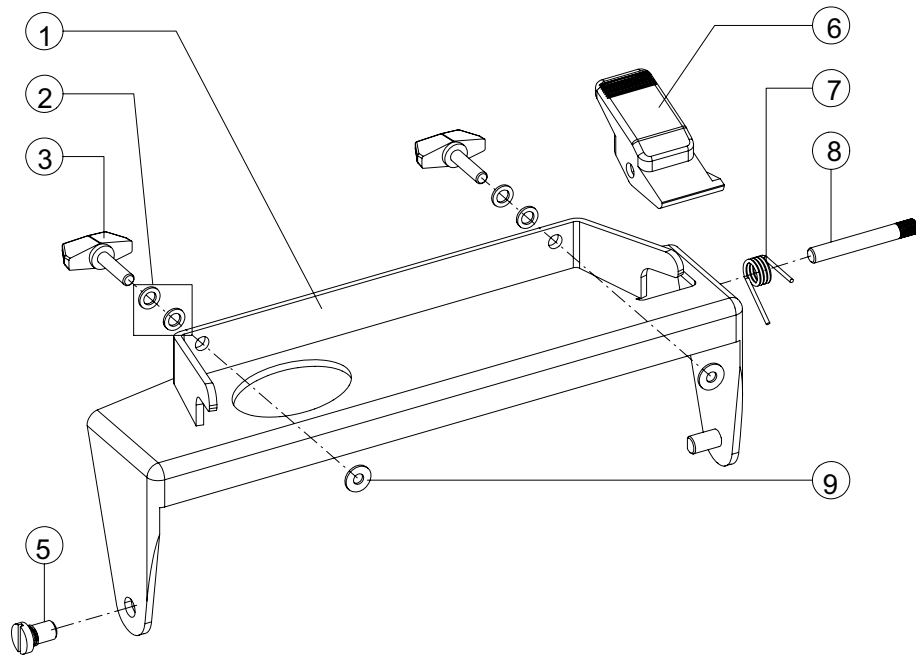
See E82244



E82244
Swivel guiding plate with felt new UP 350/460

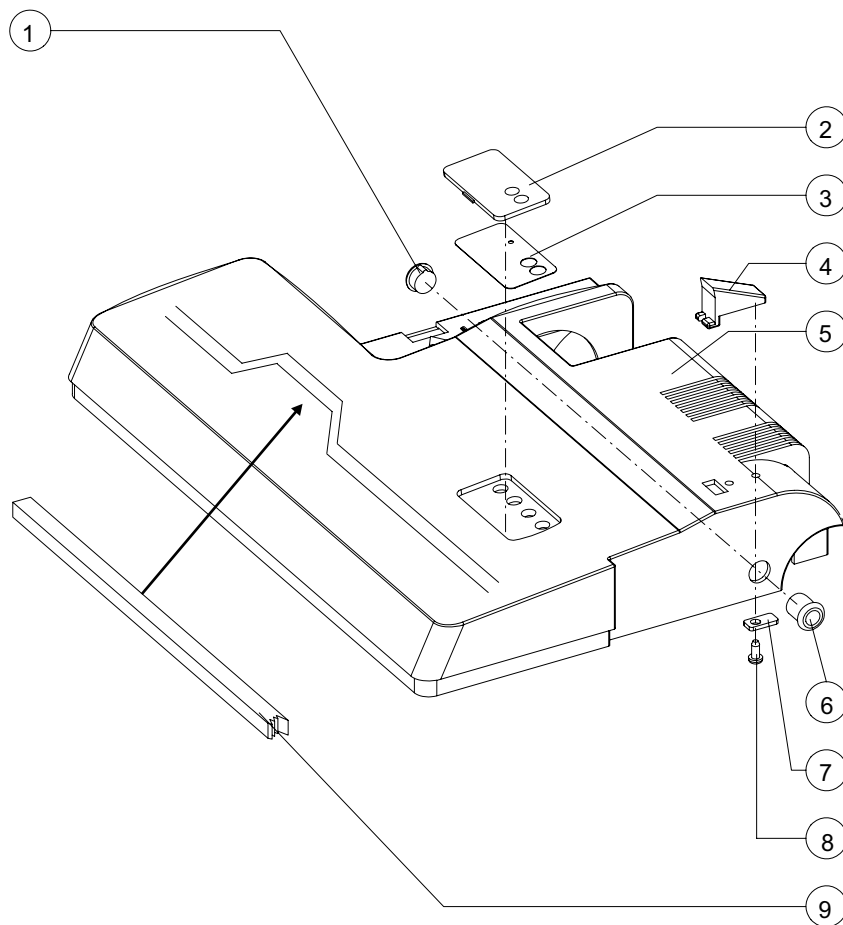


Drawing Reference M
 S.11.0754.0
 Bracket assembly



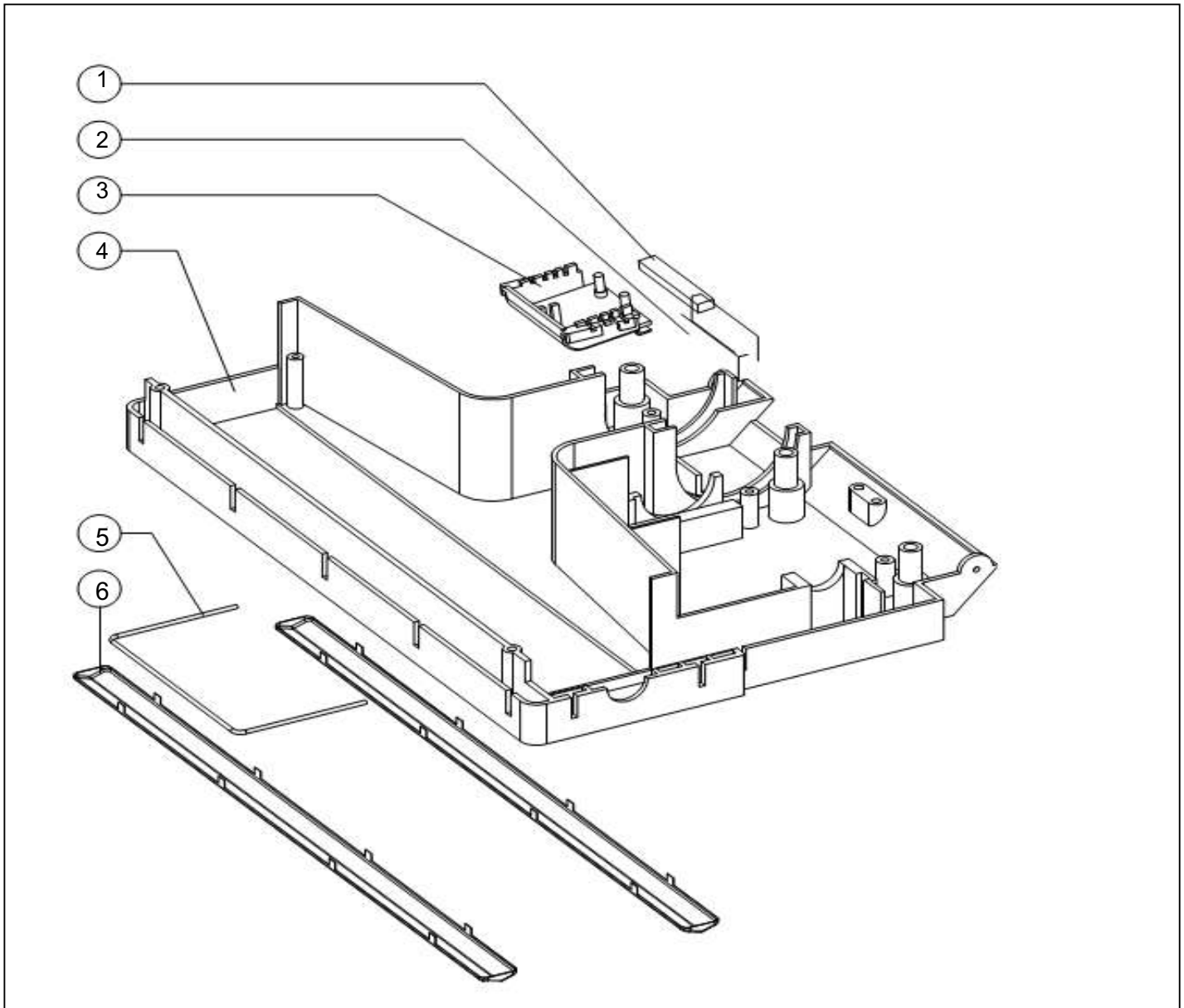
ITEM	SKU	DESCRIPTION	QTY
1	E82167	Bracket, black metal	1
2	E82106	DM1400/1800 washer	2
3	E82164	DM1400/1800 knob	2
5	E82163	DM1400/1800 screw short left side	1
6	E82161	DM1400/1800 locking pedal	1
7	E82166	DM1400/1800 spring	1
8	E82162	DM1400/1800 shaft pedal	1
9	E82165	DM1400/1800 washer	2

Drawing Reference N
P.12.0088.X
Brush cover assembly DM1400
Ref 4 on drawing B



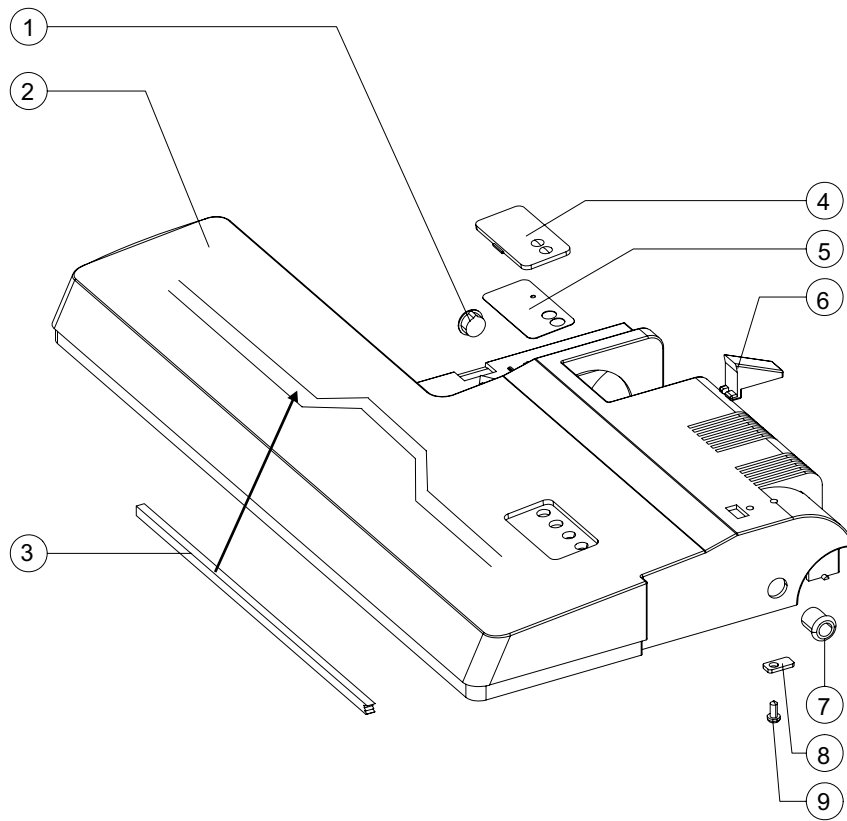
ITEM	SKU	DESCRIPTION	QTY
1	E82174	DM1400/1800 bearing bushing short	1
2	E82169	DM1400/1800 LED cover	1
3	E82168	DM1400/1800 decal	1
4	E82172	DM1400/1800 latch break	1
5	E82233	DM1400 brush cover	1
6	E82173	DM1400/1800 bearing bushing long	1
7	E82179	DM1400/1800 front caster shaft fixing plate	1
8	E82097	DM1400/1800 screw	1
9	E82102	Gasket 6x5 mm Neoprene Sealed ZK	1

Drawing Reference O
Brush housing assembly DM1400



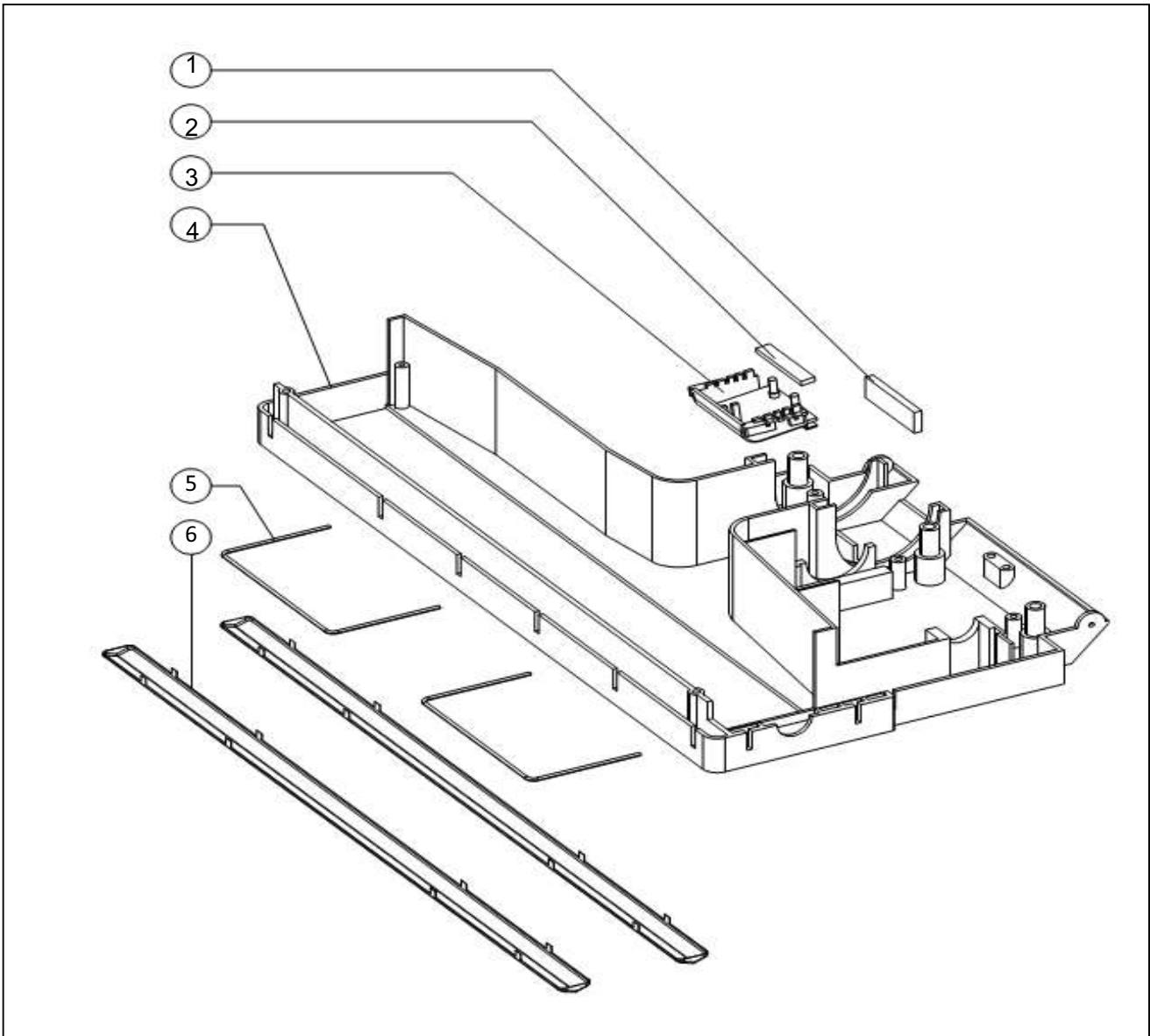
ITEM	SKU	DESCRIPTION	QTY
1	E82182	Felt for Switch Housing	1
2	E82181	Felt for Brush Housing	1
3	E82180	DM1400/1800 switch housing w/o felt	1
4	E82236	Brush housing bottom 14", gray	1
5	E82191	DM1400/1800 brush protector	1
6	E82188	DM1400 brush protector	2

Drawing Reference Q
Brush cover assembly DM1800



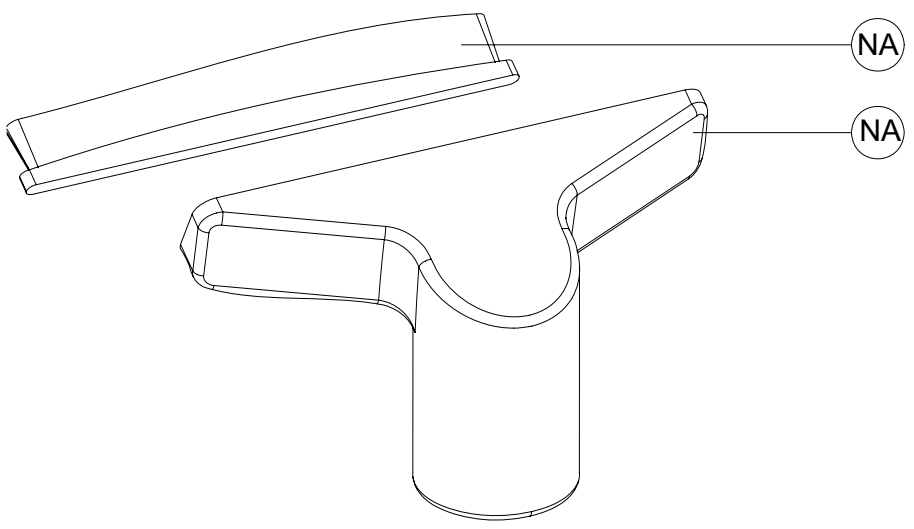
ITEM	SKU	DESCRIPTION	QTY
1	E82174	DM1400/1800 bearing bushing short	1
2	E82234	DM1800 brush cover	1
3	E82102	Gasket 6x5 mm Neoprene Sealed ZK	1
4	E82169	DM1400/1800 LED cover	1
5	E82168	DM1400/1800 decal	1
6	E82172	DM1400/1800 latch break	2
7	E82173	DM1400/1800 bearing bushing long	1
8	E82179	DM1400/1800 front caster shaft fixing plate	1
9	E82097	DM1400/1800 screw	1

Drawing Reference R
Brush housing assembly DM1800

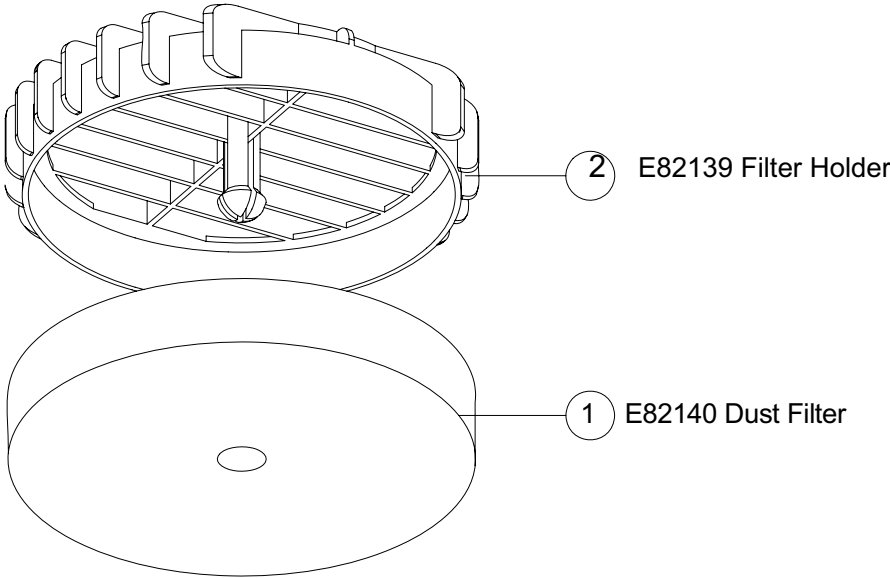


ITEM	SKU	DESCRIPTION	QTY
1	E82182	Felt for Switch Housing	1
2	E82181	Felt for Brush Housing	1
3	E82180	DM1400/1800 switch housing w/o felt	1
4	E82189	DM1800 brush housing lower	1
5	E82191	DM1400/1800 brush protector	2
6	E82188	DM1400 brush protector	2

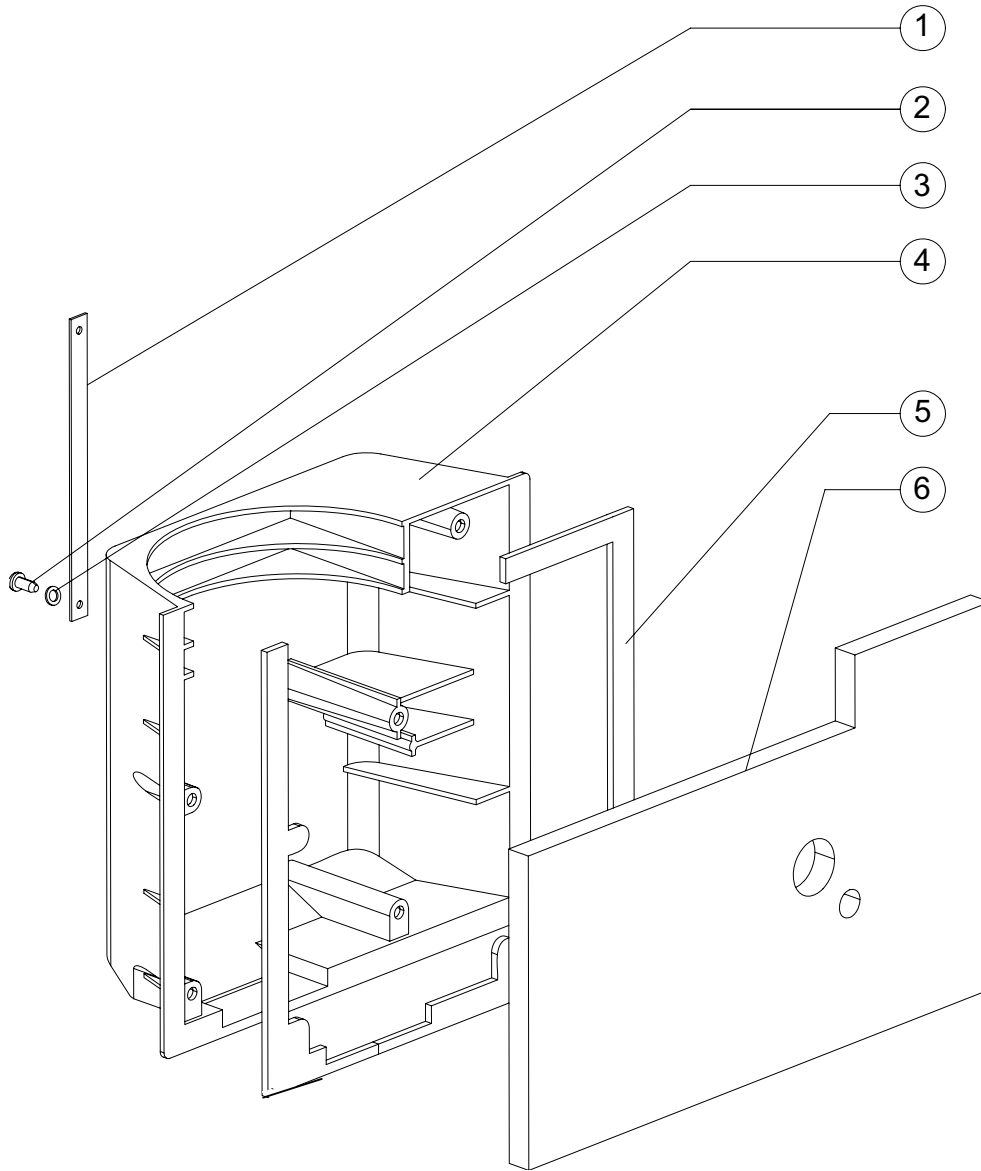
S.02.0031.5
Upholstry tool with bristle 32 mm
Separate Parts are not available for this too
complete assembly E82238



Dust filter holder assembly



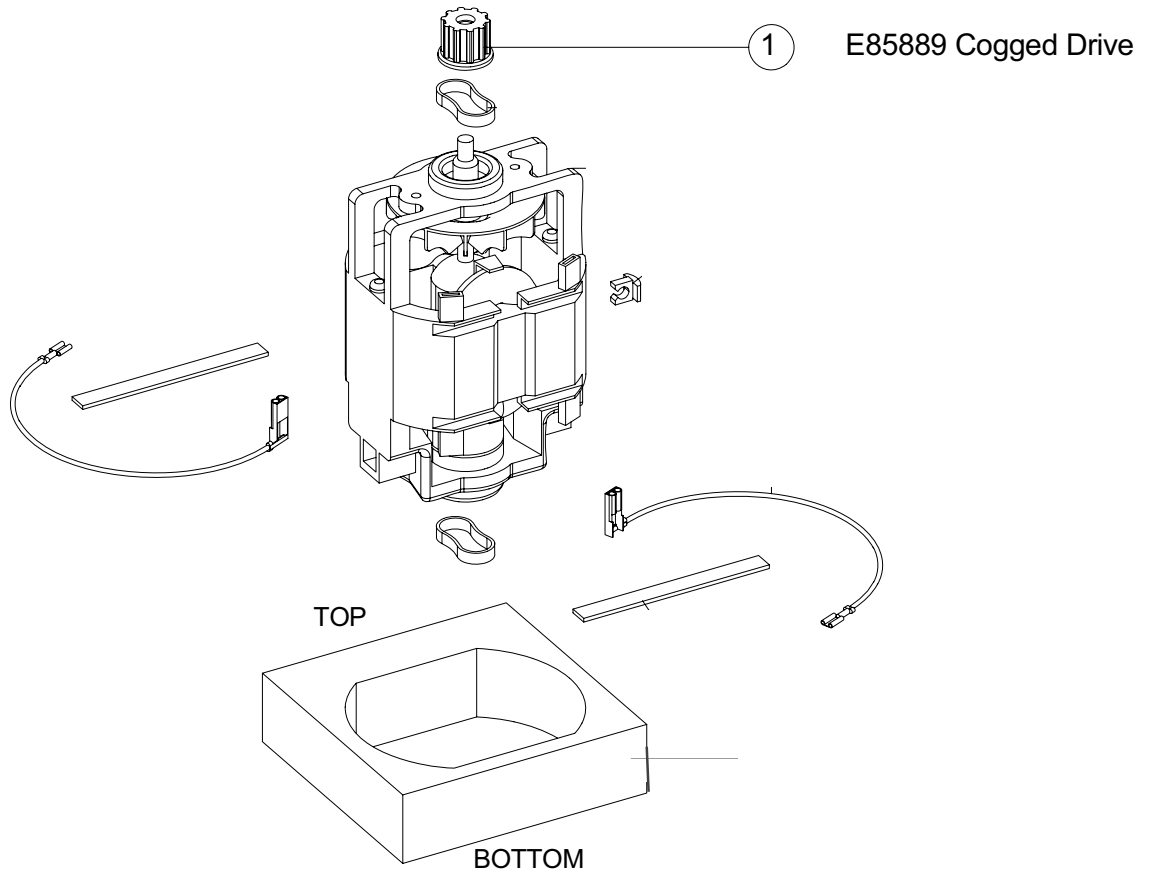
Motor housing assembly



ITEM	SKU	DESCRIPTION	QTY
1	E82141	Door restrain	1
2	E82099	Screw 3x8	1
3	E82104	Washer plain M4 steel	1
4	E82151	Motor Housing	1
5	E82153	Gasket Motor housing 2	1
6	E82143	Foam motor	1
7	E82152	Gasket Motor housing 1	1

Drawing Reference D

E85880 Brush Motor Assembly



BETCO US WARRANTY POLICY

10 year coverage

Subject to the conditions stated below, Betco warrants parts and labor on rotationally molded polyethylene tanks/housings and injection molded vacuum head assemblies to be free from defects in materials and workmanship for a period of ten years to the original purchaser.

3 Year Coverage

Subject to the conditions stated below, Betco warrants parts and labor on all other Betco components to be free from defects in materials and workmanship for a period of three years to the original purchaser.

1 Year Coverage

Subject to the conditions stated below, Betco offers a limited warranty on parts and labor on the following equipment: parts and accessories to be free from defects in materials and workmanship for a period of one year to the original purchaser.

- DM Series Vacuums: #85506-00, #85507-00
- Bac Pac Lite Vacuum: #85903-00
- FiberPRO® Floor Dryer: #85507-00
- WORKMAN™ Series Vacuums: #85024-00, #85025-00, #85026-00, #85027-00
- CV100T Vacuum: #85023-00
- All Tools and Accessories
- All Battery Chargers
- All Batteries are pro-rated for 1 year

Allowable Travel Time Warranty Reimbursement:

Eligible equipment: All battery and propane powered equipment products. Warranty period: 90 days from date of sale to the original purchaser. A maximum 60 mile round trip at 44 cents per mile will be allowed for warranty consideration.

Propane Machine Warranty:

Honda engines are warranted by Honda for a period of 2 years against manufacturer defects. Kawasaki engines are warranted by Kawasaki for a period of 2 years against manufacturer defects. All other components (except wear items)* are warranted by Betco for a period of 3 years.

***Wear Items exempt from Warranty consideration include but may not be limited to: power cords, transport wheels, vacuum bags, belts, squeegee blades, pad drivers, clutch plates, handle grips, filters, screens, throttle cables, brushes and carbon brushes.**

Subject to the conditions and exceptions stated in this warranty, Betco warrants the Betco products to be free from defects in material and workmanship, under normal use and service, for the periods listed under the warranty policy to the original purchaser. At any time during the warranty period, Betco will furnish replacement parts for the Betco parts to the original purchaser. Such parts will be furnished and charged including transportation costs, to the original owner through any Betco authorized Service Distributor. If the original part is returned within the warranty policy period from date of delivery for inspection by Betco and is found to be defective the owner will be credited for the cost of replacement parts plus shipping and handling. Replacement parts that have become defective through wear or abuse are not included in this warranty.

This warranty does not apply to damage or defect caused by accident, misuse, negligence, fire, or to any Betco product which has been serviced or repaired by other than an authorized Betco Service Distributor or Betco factory personnel. This warranty is void if products are used for any purpose other than that which was intended. There are no other warranties expressed or implied. In no event shall Betco be liable for incidental or consequential damages or any damage to person or property. (Please note some states do not allow the exclusion or limitations for incidental and consequential damages)

