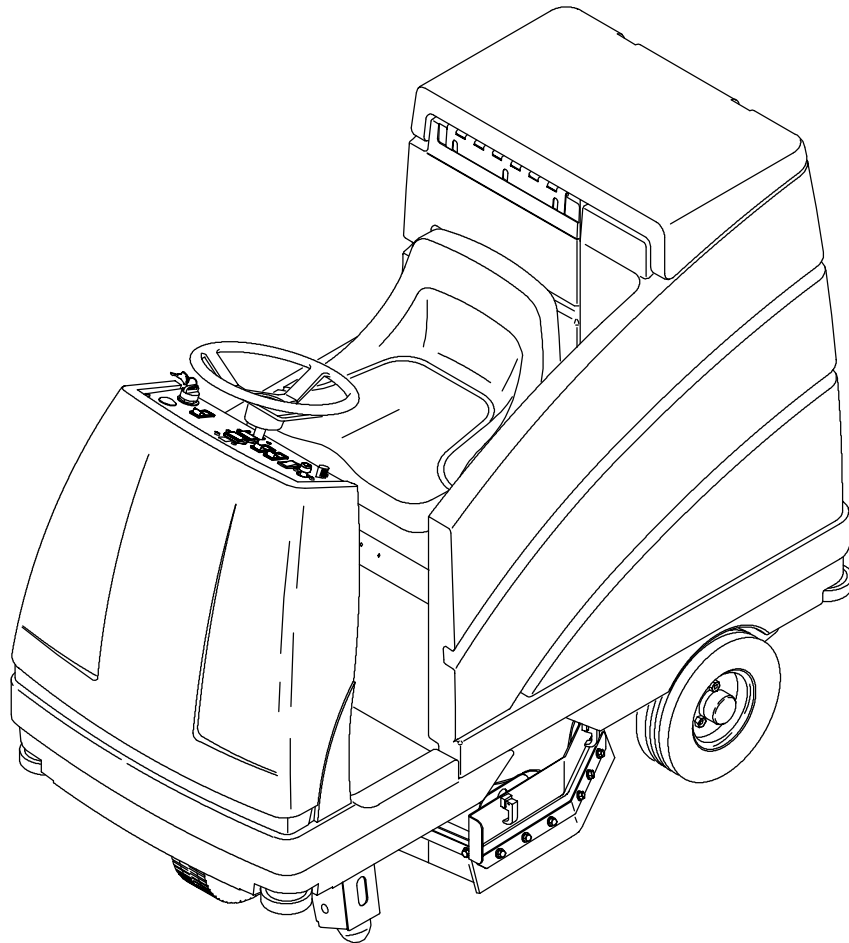




EZ Rider HP™

Parts Manual



330780

Rev. 01





NOBLES™

This manual is furnished with each new NOBLES EZ Rider HP™ machine.

This manual consists of the How To Use This Manual; Standard Parts; Options; Breakdowns; and Cross Reference sections.

MACHINE DATA

Please fill out at time of installation for future reference.

Machine Model Number - EZ Rider HP™

Machine Serial Number - _____

Machine Options - _____

NOBLES Representative/phone no. - _____

Customer ID Number - _____

Date of Installation - _____

Manual Number - 330780

Revision: 01

Published: 12-02

HOW TO USE THIS MANUAL

This section on *HOW TO USE THIS MANUAL* will tell you how to:

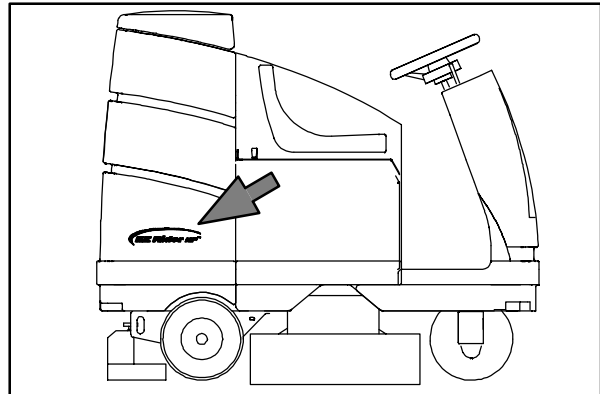
- Find important machine information for ordering correct repair parts.
- Find NOBLES part numbers.
- Order NOBLES parts and supplies.

IMPORTANT INFORMATION

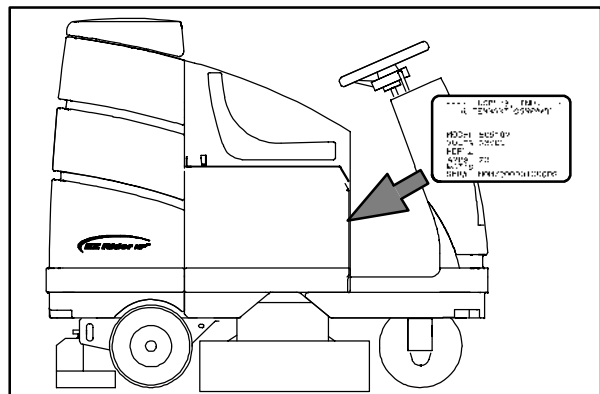
When placing an order for parts, the machine model and machine serial number are important. Refer to the *MACHINE DATA* box which is filled out during the installation of your machine. The *MACHINE DATA* box is located on the inside of the front cover of this manual.

MACHINE DATA	
<i>Please fill out at time of installation for future reference.</i>	
Machine Model Number - EZ Rider HP™	_____
Machine Serial Number -	_____
Machine Options -	_____
NOBLES Representative/phone no. -	_____
Customer ID Number -	_____
Date of Installation -	_____
Manual Number - 330780	
Revision: 00	
Published: 6-2002	

The model number of your machine is on the side of the machine.



The serial number of your machine is printed on the machine data plate located as shown.



HOW TO USE THIS MANUAL

FINDING A NOBLES PART NUMBER

This manual contains the following sections:

- HOW TO USE THIS MANUAL
- STANDARD PARTS
- OPTIONS
- BREAKDOWNS
- CROSS REFERENCE

The STANDARD PARTS section lists repair parts for standard machines. They are grouped in this general order:

- General wear parts.
- Machine frame and related parts.
- Machine propelling system.
- Scrubbing components.
- Electrical parts.

The OPTION section lists repair parts of options.

The BREAKDOWN section lists available repair parts of major components.

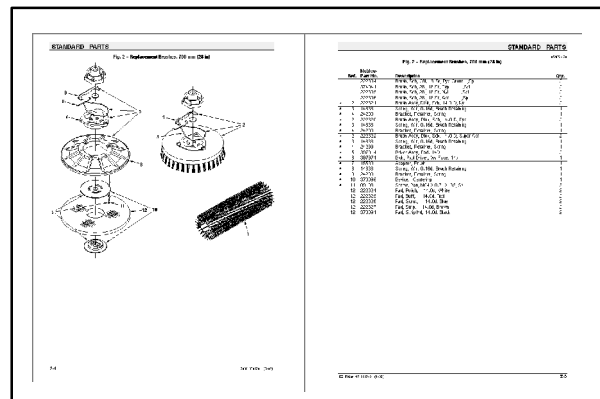
All sections in this manual consist of parts illustrations and corresponding parts lists.

The parts illustrations are numbered with **Ref** numbers which refer to corresponding parts lists.

The parts lists include a number of columns of information:

- **Ref** - column refers to the reference number on the parts illustration.
- ∇ - indicates the part is an assembly.
- ▲ - indicates the part is included in the assembly listed just before it.
- **NOBLES Part No.** - column lists the NOBLES part number for the part.
- **Description** - column is a brief description of the part.
- **Qty.** - column lists the quantity of that part used in that area of the machine.

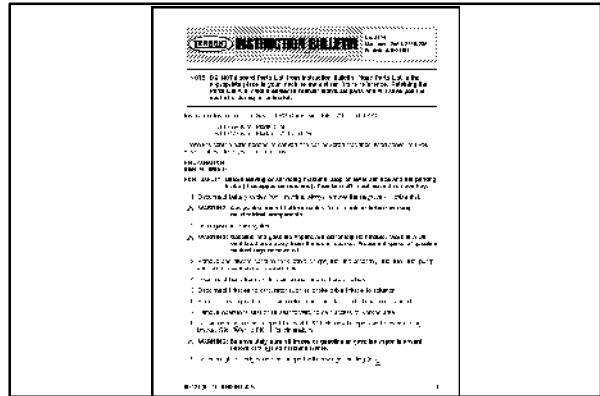
NOTE: Serial numbers are indicated at the bottom of the parts list. Serial numbers change when the machine design has been modified. The most current design of the machine is shown in the main illustration, older designs are boxed in a corner of the illustration.



STANDARD PARTS				
Fig. 2 - Replacement Brushes, 700 mm (28 in)				
Ref.	Nobles-Part No.	Description	Qty.	
1	222304	Brush, Sctb, 28", 19 Str, Fyfr Orient	2	
1	374041	Brush, Sctb, 26", 16 Str, Pyp	2	
1	222305	Brush, Sctb, 26", 16 Str, Nyl	2	
1	222306	Brush, Sctb, 26", 16 Str, Abr	2	
∇	2	222321	Brush Assy, Disk, Sctb, 14.0 D, Nyl	2
▲	3	14838	Spring, Wir, 0.165, Brush Retaining	1
▲	4	24298	Bracket, Retainer, Spring	1
∇	2	222320	Brush Assy, Disk, Sctb, 14.0 D, Pyp	2
▲	3	14838	Spring, Wir, 0.165, Brush Retaining	1
▲	4	24298	Bracket, Retainer, Spring	1
∇	2	222322	Brush Assy, Disk, Sctb, 14.0 D, Super Abr	2
▲	3	14838	Spring, Wir, 0.165, Brush Retaining	1
▲	4	24298	Bracket, Retainer, Spring	1
∇	5	397914	Driver Assy, Pad, 14D	2
▲	6	397974	Disk, Pad Driver, W/ Face, 14d	2
▲	7	18239	Adjuster, Brush	1
▲	8	14838	Spring, Wir, 0.165, Brush Retaining	1
▲	9	24298	Bracket, Retainer, Spring	1
▲	10	370085	Device, Centering	1
▲	11	09198	Screw, Pan, M04 X 0.7 X 35, Ss	3
12	222324	Pad, Polish, 14.0d, White	2	
12	222325	Pad, Buff, 14.0d, Red	2	
12	222326	Pad, Scrub, 14.0d, Blue	2	
12	222327	Pad, Strip, 14.0d, Brown	2	
12	370081	Pad, Strip HD, 14.0d, Black	2	

NOTE: If a service kit is installed on your machine, be sure to keep the INSTRUCTION BULLETIN which came with the kit. It contains repair parts numbers needed for ordering future parts.

NOTE: Fasteners used in this machine may be metric or non-metric. Take care when replacing hardware to replace with same thread size.



PLACING AN ORDER

Orders may be placed by phone, fax, or by mail. Phone orders may need written confirmation. Follow the steps below to insure prompt delivery:

1. Identify the model number of your machine.
2. Identify the serial number of your machine.
3. Find the part number of the part you need. Do not order by page number or reference number. If you are not able to find the part number, call your NOBLES representative for help or send the old part as a sample.
4. Determine the quantity of the part you need.
5. Provide the following company information:
 - Company name
 - Customer ID Number
 - Shipping address
 - Billing address
 - First and last name of person ordering parts
 - Telephone number
 - Purchase order number
6. Provide definitive shipping instructions.

HOW TO USE THIS MANUAL

Any claim for loss or damage to a shipment in transit should be filed promptly with the transportation company making the delivery. Shipments will be complete unless the packing list or order acknowledgement indicates items back ordered.

If parts received are suspected to be incorrect or defective, please contact the NOBLES representative from whom you ordered the part. They will give authorization for return and/or handle replacement shipments when required.

SECTION 2

Contents	Page
Fig. 1 - General Recommended Maintenance Items	2-3
Fig. 2 - Replacement Brushes, 700 mm (28 in) .	2-4
Fig. 3 - Replacement Brushes, 800 mm (32 in) .	2-6
Fig. 4 - Main Frame Group	2-8
Fig. 5 - Seat Group	2-10
Fig. 6 - Steering Group	2-12
Fig. 7 - Instrument Panel	2-14
Fig. 8 - Controller Group	2-16
Fig. 9 - Front Drive Wheel Group	2-18
Fig. 10 - Front Brake Linkage Group	2-20
Fig. 11 - Brake Pedal and Directional Pedal Group	2-22
Fig. 12 - Rear Wheel Group	2-24
Fig. 13 - Scrub Head Lift Group	2-26
Fig. 14 - Disk Scrub Head Drive Motor Group, 700 mm (28 in)	2-28
Fig. 15 - Disk Scrub Head Linkage and Squeegee Group, 700 mm (28 in) ...	2-30
Fig. 16 - Recovery Tank Group	2-32
Fig. 17 - Vacuum Fan Group	2-34
Fig. 18 - Solution Tank Group	2-36
Fig. 19 - Solution Control Group	2-38
Fig. 20 - Battery Cable Group	2-40
Fig. 21 - Rear Squeegee Lift Group	2-42
Fig. 22 - Rear Squeegee Linkage Group	2-44
Fig. 23 - Rear Squeegee Group, 700 mm (28 in)	2-46
Fig. 24 - Electrical Schematic	2-48
Fig. 25 - Wire Harnesses Group	2-49
Fig. 26 - Label Group	2-53

Fig. 1 - General Recommended Maintenance Items

Ref.	Nobles- Part No.	Description	Qty.
	390942	Blade, Sqge, Rear, 700mm	1
	390922	Blade, Sqge, Rear, 800mm	1
▽	391384	Kit, Sqge, Oil-Rstn, 700mm	1
▲	391377	Blade, Sqge, Front, 700mm, Oil-Rstn	1
▲	391378	Blade, Sqge, Rear, 700mm, Oil-Rstn	1
▽	391386	Kit, Sqge, Tile, 700mm	1
▲	390943	Blade, Sqge, Front, 700mm	1
▲	390936	Blade, Sqge, Rear, Gum Rbr, 700mm	1
▽	391383	Kit, Sqge, Oil-Rstn, 800mm	1
▲	391379	Blade, Sqge, Front, 800mm, Oil-Rstn	1
▲	391380	Blade, Sqge, Rear, 800mm, Oil-Rstn	1
▽	391385	Kit, Sqge, Tile, 800mm	1
▲	390923	Blade, Sqge, Front, 800mm	1
▲	390934	Blade, Sqge, Rear, Gum Rbr, 800mm	1
	392842	Blade, Sqge, Lh	1
	1001290	Blade, Sqge, Rh	1
	390773	Wheel Assy, Sqge	2
	81582	Wheel, 3.0d 0.87w 0.44b	2
	223568	Deflector, Water	2
	390633	Skirt, Front, Scb, Disk, 28 Inch	1
	390634	Skirt, Rear, Scb, Disk, 28 Inch	1
	390650	Skirt, Front, Scb, Disk, 32 Inch	1
	390651	Skirt, Rear, Scb, Disk, 32 Inch	1
	390882	Seal, Tank, Recvy	1
	390883	Seal, Tank, Soltn	1
	390946	Hose, Vacuum	1
	391343	Seal, Fan	1
	222201	Belt, 15mm 05p 500l	1
	223569	Gasket, Shield	1

Fig. 2 - Replacement Brushes, 700 mm (28 in)

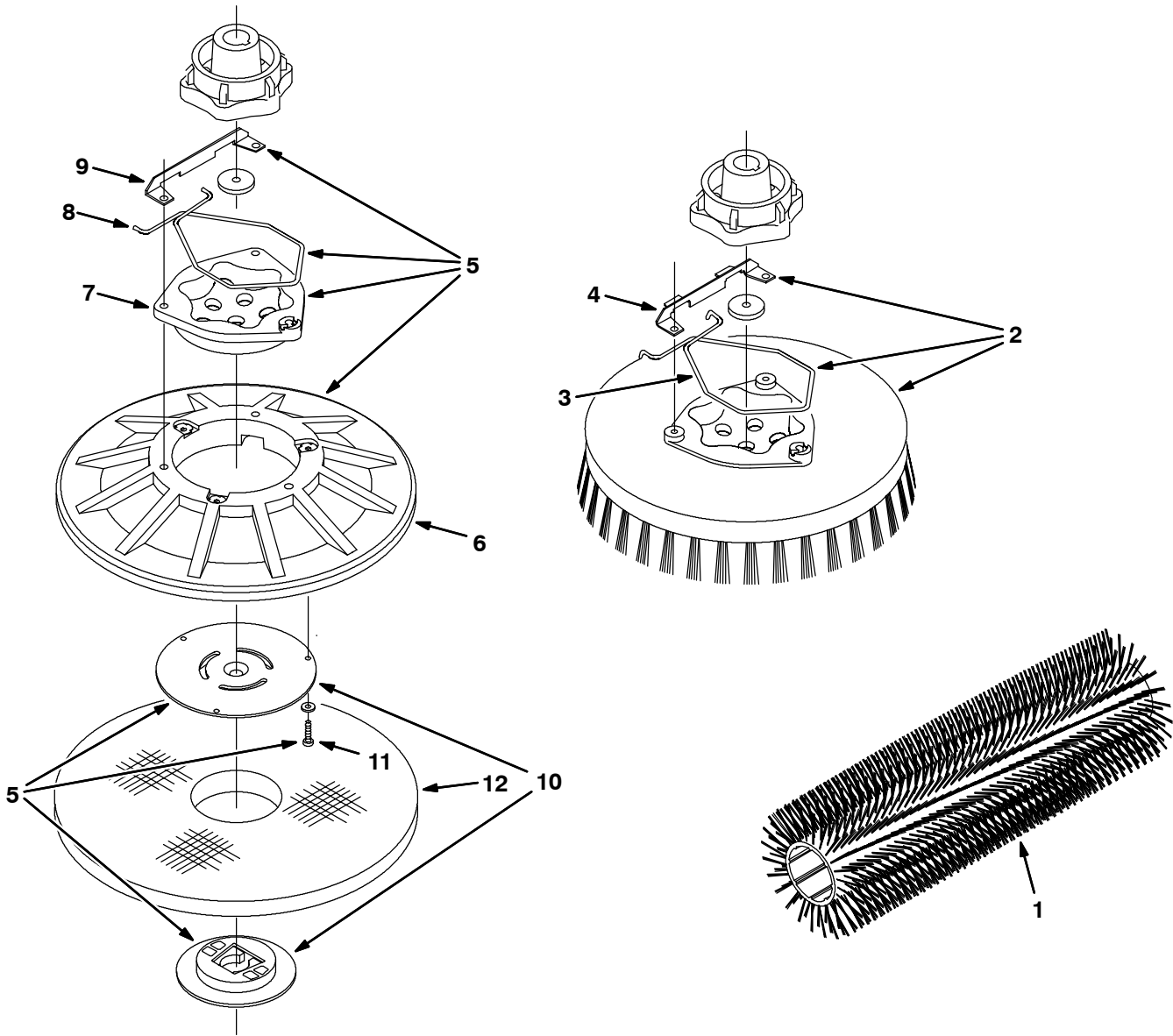


Fig. 2 - Replacement Brushes, 700 mm (28 in)

Ref.	Nobles- Part No.	Description	Qty.	
1	222304	Brush, Scb, 28l, 18 Sr, Pyp Grout, Spl	2	
1	374041	Brush, Scb, 28l, 18 Sr, Pyp, Spl	2	
1	222305	Brush, Scb, 28l, 18 Sr, Nyl, Spl	2	
1	222306	Brush, Scb, 28l, 18 Sr, Abr, Spl	2	
▽	2	222321	Brush Assy, Disk, Scb, 14.0 D, Nyl	2
▲	3	14838	Spring, Wir, 0.16d, Brush Retaining	1
▲	4	24299	Bracket, Retainer, Spring	1
▽	2	222320	Brush Assy, Disk, Scb, 14.0 D, Pyp	2
▲	3	14838	Spring, Wir, 0.16d, Brush Retaining	1
▲	4	24299	Bracket, Retainer, Spring	1
▽	2	222322	Brush Assy, Disk, Scb, 14.0 D, Super Abr	2
▲	3	14838	Spring, Wir, 0.16d, Brush Retaining	1
▲	4	24299	Bracket, Retainer, Spring	1
▽	5	397914	Driver Assy, Pad. 14D	2
▲	6	397974	Disk, Pad Driver, W/ Face, 14d	1
▲	7	15539	Adaptor, Brush	1
▲	8	14838	Spring, Wir, 0.16d, Brush Retaining	1
▲	9	24299	Bracket, Retainer, Spring	1
▲	10	370095	Device, Centering	1
▲	11	09198	Screw, Pan, M04 X 0.7 X 35, Ss	3
12	222324	Pad, Polish, 14.0d, White	2	
12	222325	Pad, Buff, 14.0d, Red	2	
12	222326	Pad, Scrub, 14.0d, Blue	2	
12	222327	Pad, Strip, 14.0d, Brown	2	
12	370091	Pad, Strip Hd, 14.0d, Black	2	

Fig. 3 - Replacement Brushes, 800 mm (32 in)

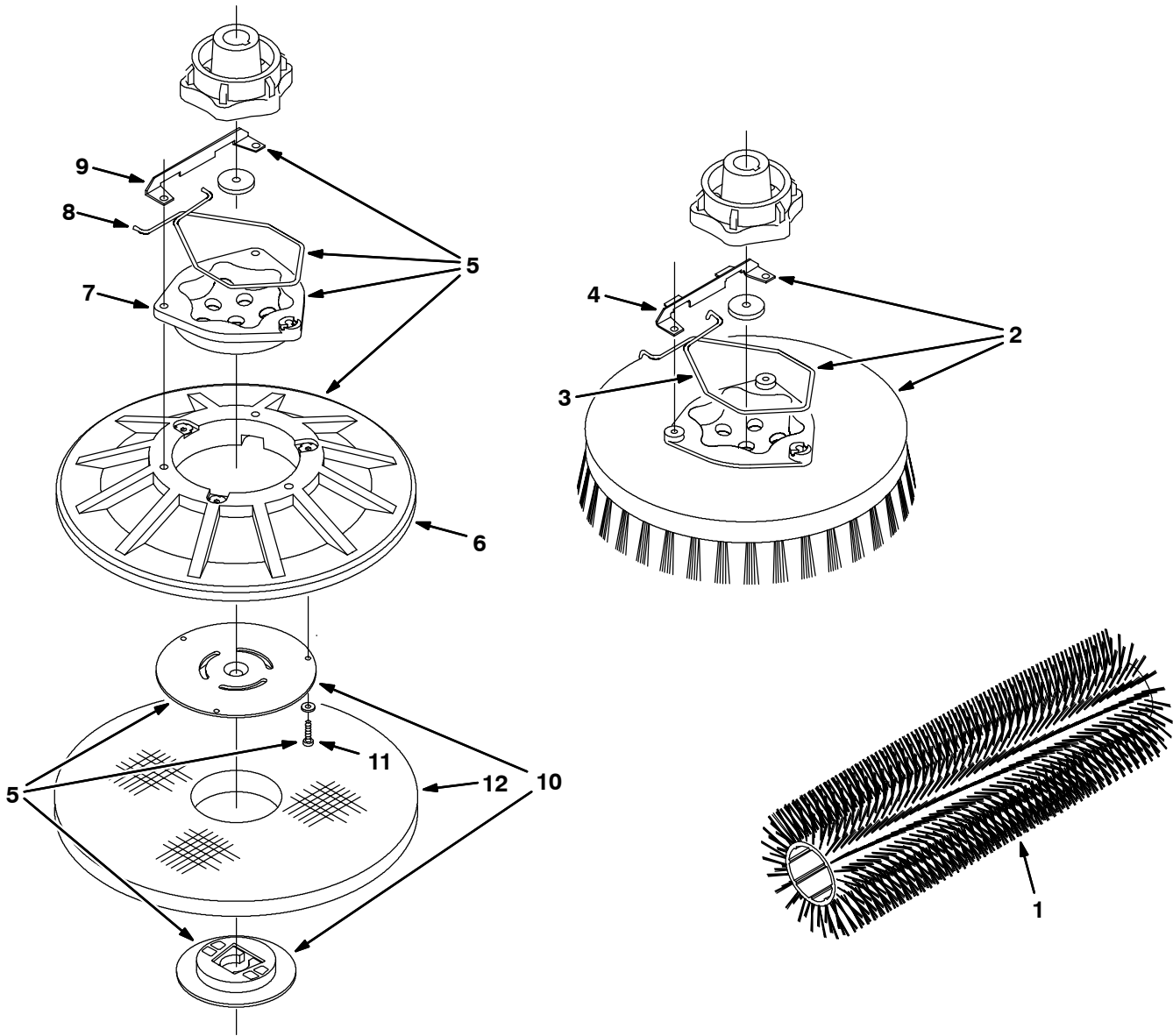


Fig. 3 - Replacement Brushes, 800 mm (32 in)

Ref.	Nobles- Part No.	Description	Qty.	
1	222307	Brush, Scb, 32l, 18 Sr, Pyp Grout, Spl	2	
1	374042	Brush, Scb, 32l, 18 Sr, Pyp, Spl	2	
1	222308	Brush, Scb, 32l, 18 Sr, Nyl, Spl	2	
1	222309	Brush, Scb, 32l, 18 Sr, Abr, Spl	2	
▽	2	05724	Brush Assy, Disk, Scb, 16.0 D, Nyl	2
▲	3	14838	Spring, Wir, 0.16d, Brush Retaining	1
▲	4	24299	Bracket, Retainer, Spring	1
▽	2	30241	Brush Assy, Disk, Scb, 16.0 D, Pyp	2
▲	3	14838	Spring, Wir, 0.16d, Brush Retaining	1
▲	4	24299	Bracket, Retainer, Spring	1
▽	2	05726	Brush Assy, Disk, Scb, 16.0 D, Super Abr	2
▲	3	14838	Spring, Wir, 0.16d, Brush Retaining	1
▲	4	24299	Bracket, Retainer, Spring	1
▽	5	397916	Driver Assy, Pad. 16D	2
▲	6	397976	Disk, Pad Driver, W/ Face, 16d	1
▲	7	15539	Adaptor, Brush	1
▲	8	14838	Spring, Wir, 0.16d, Brush Retaining	1
▲	9	24299	Bracket, Retainer, Spring	1
▲	10	370095	Device, Centering	1
▲	11	09198	Screw, Pan, M04 X 0.7 X 35, Ss	3
12	63248-1	Pad, Strip, 16.0d, Brown	2	
12	63248-2	Pad, Scrub, 16.0d, Blue	2	
12	63248-3	Pad, Buff, 16.0d, Red	2	
12	63248-4	Pad, Polish, 16.0d, White	2	
12	370092	Pad, Strip Hd, 16.0d, Black	2	

Fig. 4 - Main Frame Group

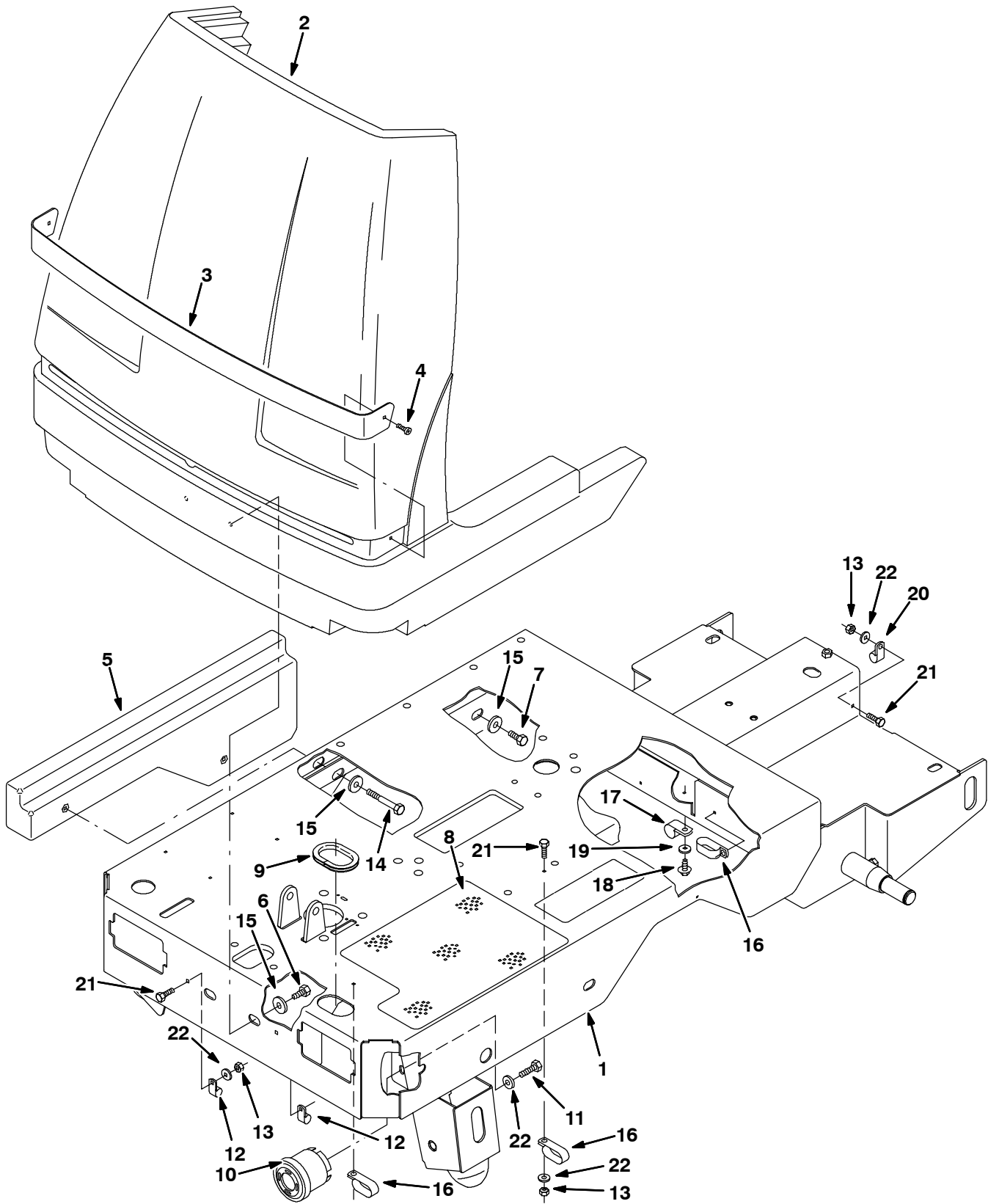


Fig. 4 - Main Frame Group

Ref.	Nobles- Part No.	Description	Qty.
1	390800	Frame Wldt, Micro Scrubber	1
2	390681	Shroud, Front, Trim	1
3	393029	Strip, Cover, Shroud, Front	1
4	360973	Screw, Pan, #12-16 X 0.50, F/ Plstc	2
5	391147	Panel, Tank, Filler, Plstc	1
6	09740	Screw, Hex, M08 X 1.25 X 20, Ss	4
7	16931	Screw, Hex, M08 X 1.25 X 20, 8.8	1
8	391304	Tread, Non-Skid, 14.0 9.6	1
9	390696	Molding, Trim, .08-.11 10.00	1
10	392937	Horn, 12-48 Vdc	1
11	01697	Screw, Hex, .25-20 X 0.62, Ss	1
12	26395-1	Clamp, Cable, Stl, 0.56d X 0.38w, 1h	2
13	08712	Nut, Hex, Lock, M06 X 1.0, NI, Ss	5
14	06957	Screw, Hex, M08 X 1.25 X 60, 8.8	1
15	13248	Washer, 0.40b 1.12d .12, Stl, Pl	2
16	09570	Clamp, Cable, Stl, 0.9x1.8 X 0.88w,1h	3
17	69234	Clamp, Cable, Stl, 1.00d X 0.62w, 1h	1
18	361339	Screw, Hex, M06 X 1.0 X 16, Fmg	2
19	32483	Washer, Flt, .25 Sae	2
20	67767	Clamp, Cable, Stl, 0.69d X 0.62w, 1h	1
21	08716	Screw, Hex, M06 X 1.0 X 20, Ss	5
22	01684	Washer, Flt, .25 Ss	5

Fig. 5 - Seat Group

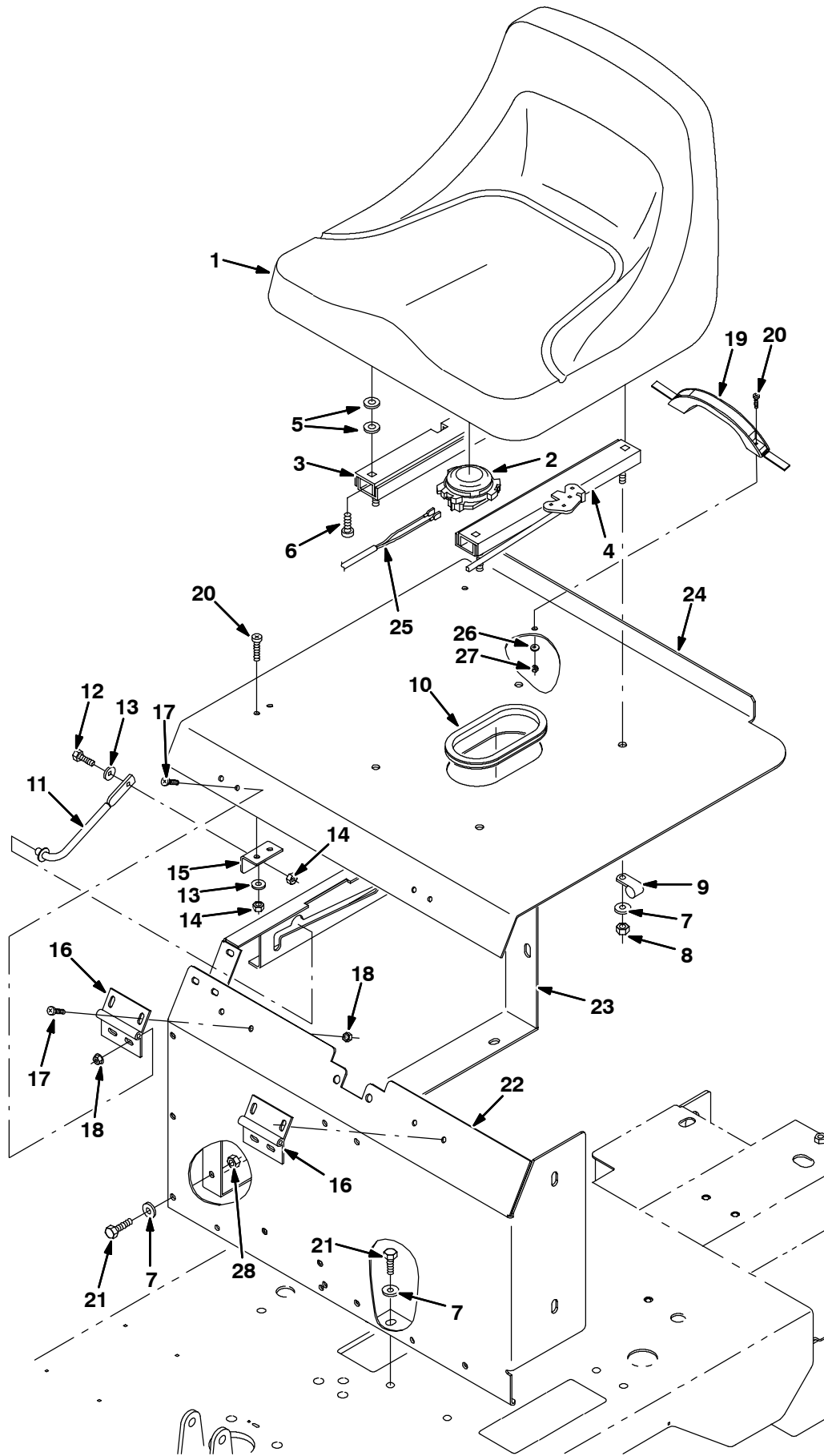


Fig. 5 - Seat Group

Ref.	Nobles- Part No.	Description	Qty.
1	375411	Seat, Michigan, Model V-1500	1
2	390769	Switch, Seat, Nc	1
3	360369	Rail	1
4	360370	Rail	1
5	69461	Washer, 0.38b 0.88d .12, Stl, Pl	8
6	25537	Screw, Pan, .31-18 X 0.75, 2	4
7	32491	Washer, Flt, .31 Std	12
8	32983	Nut, Hex, Lock, .31-18, NI	4
9	40678-1	Clamp, Cable, Stl, 0.88d X 0.62w, 1h	1
10	390694	Molding, Trim, .08-.11 19.00	1
11	223080	Rod Wldt, Prop	1
12	06943	Screw, Hex, M06 X 1.0 X 20, 8.8	3
13	32483	Washer, Flt, .25 Sae	13
14	08708	Nut, Hex, Lock, M06 X 1.0, NI	10
15	392846	Angle, Rod, Prop	1
16	58484	Hinge, .25pin .12 3.0w 03.0l 4/0.28slot	2
17	363503	Screw, Pan, M 6 X 1.0 X 12, Ss	8
18	07790	Nut, Hex, Flng, M06 X 1.0	8
19	382264	Handle, Hood	1
20	09164	Screw, Pan, M 6 X 1.0 X 20, 4.8	4
21	16931	Screw, Hex, M08 X 1.25 X 20, 8.8	10
22	392818	Panel, Front	1
23	392822	Support Wldt, Seat	1
24	393130	Plate, Seat W/Labels, Blk	1
25	223330	Harness, Switch, Seat	1
26	19324	Washer, Flat, #10 Sae	2
27	06549	Nut, Hex, Lock, M05X0.8, NI	2
28	07791	Nut, Hex, Flng, M08X1.25	3

Fig. 6 - Steering Group

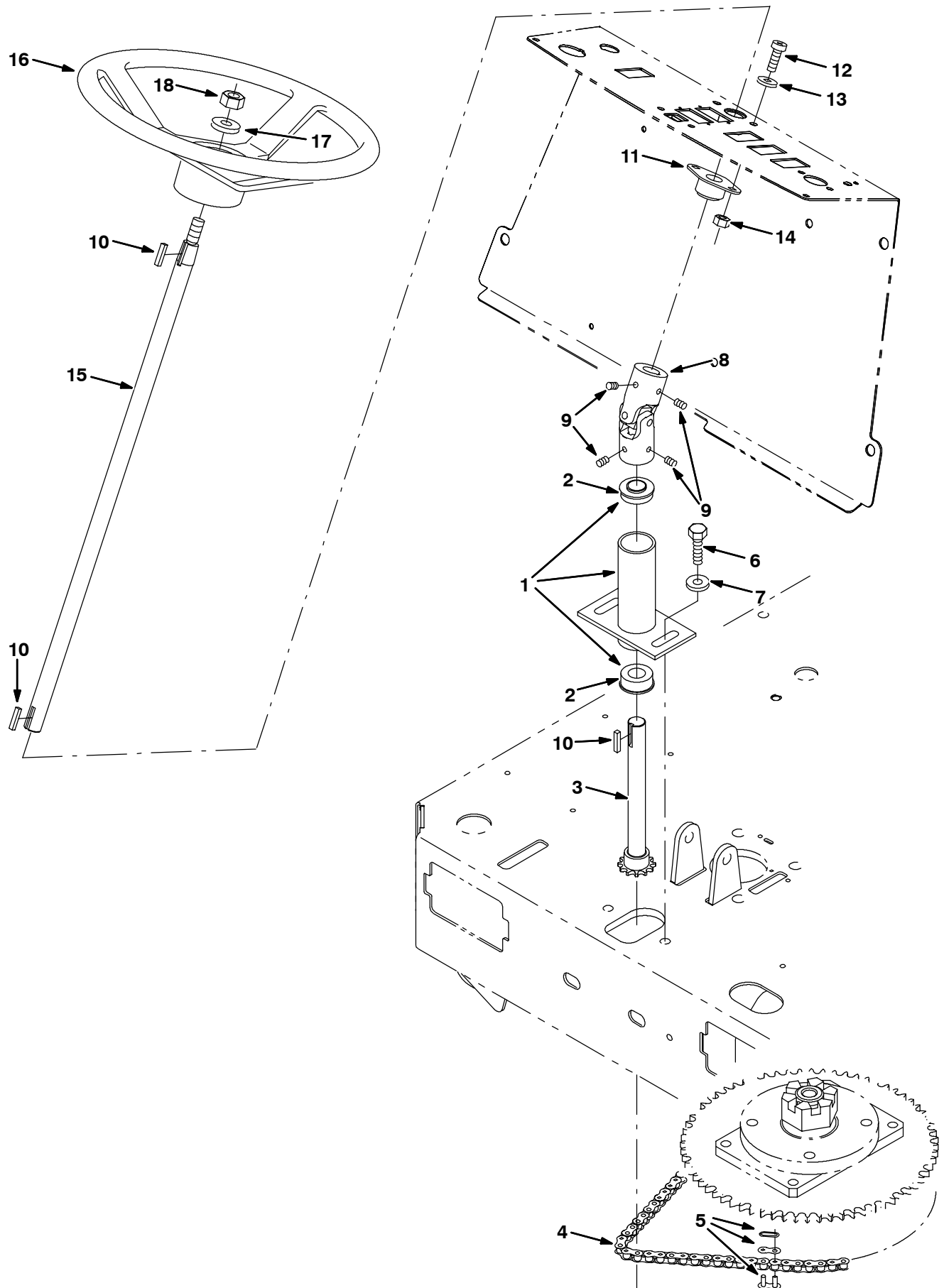


Fig. 6 - Steering Group

	Ref.	Nobles- Part No.	Description	Qty.
▽	1	391381	Housing Assy, Steering [7100/Ez Rider]	1
▲	2	223073	Bearing, Ball, 0.75b 1.38d 0.50w	2
	3	391401	Shaft, W/ Sprocket, Steering	1
	4	390788	Chain, Roller #35, .375 Pitch	1
	5	14799	Link, Chain, Roller, #35	1
	6	39284	Screw, Hex, M10 X 1.5 X 35, 8.8	2
	7	41187	Washer, Belleville, .38	2
	8	223072	Joint U	1
	9	46820	Screw, Set, .31-18 X 0.38, NI	4
	10	00912	Key, Sq, 0.19 X 0.19, 01.00l	3
	11	223065	Bushing Assy, Flng, 2 Hole, 0.75b, Nyl	1
	12	393135	Screw, Btn, M8x 1.25 X 20, Blk	2
	13	39349	Washer, Flt, .31 Sae	2
	14	08709	Nut, Hex, Lock, M08 X 1.25,NI	2
	15	223061	Shaft, Steering, Upper, Mach, .75d 24.1l	1
	16	223075	Wheel, Steering, 14.0d, Taper Bore	1
	17	32493	Washer, Flt, .50 Std	1
	18	08711	Nut, Hex, Lock, M12 X 1.75,NI	1

Fig. 7 - Instrument Panel

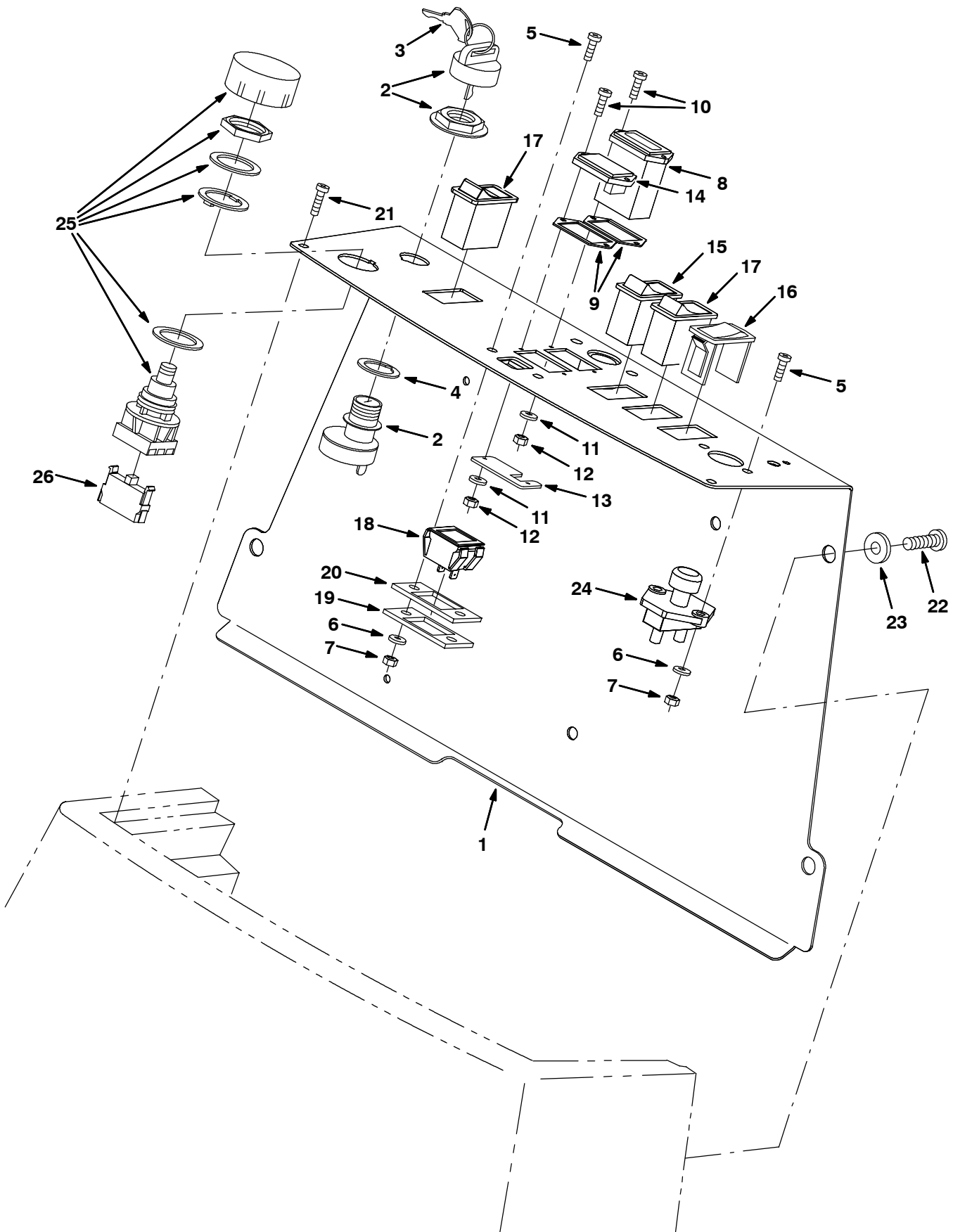


Fig. 7 - Instrument Panel

Ref.	Nobles- Part No.	Description	Qty.	
1	392827	Panel, Instmt [Ezrider Hp/7080]	1	
▽	2	392896	Switch, Key	1
▲	3	392897	Key, Replmt	1
4	392877	Washer, Switch, Key	1	
5	393134	Screw, Btn, M6 X 1.0 X 20, Blk	4	
6	32483	Washer, Flat, .25 Sae	4	
7	08708	Nut, Hex, Lock, M06 X 1.0, NI	4	
8	31988	Gauge, Hourmeter, Electronic	1	
9	222683	Gasket, Hourmeter	2	
10	09146	Screw, Pan, M03 X 0.5 X 12, 4.8	4	
11	39658	Washer, Lock, Int, #04	4	
12	01754	Nut, Hex, Std, M03 X 0.5	4	
13	393112	Plate, Sppt, Gauge, Battery	1	
14	392894	Gauge, Battery	1	
15	392171	Switch, Rocker, 36vdc, 05a Dpst On/Off/On	1	
16	398501	Switch, Rocker, Hole Plug	1	
17	397889	Switch, Rocker, Dpst	2	
18	361074	Light, Panl, 36vdc, 1.1 X 1.0	1	
19	392838	Plate, Mtg, Light	1	
20	392839	Seal, Foam	1	
21	360973	Screw, Pan, #12-16 X 0.50, F/Plstc	2	
22	09740	Screw, Pan, M08 X 1.25 X 20, 4.8	4	
23	01685	Washer, Flat, .31 Ss	4	
24	44078	Switch, Push, 12vdc 80a Spst No	1	
25	78553	Switch	1	
26	65665	Contact, Switch	1	

Fig. 8 - Controller Group

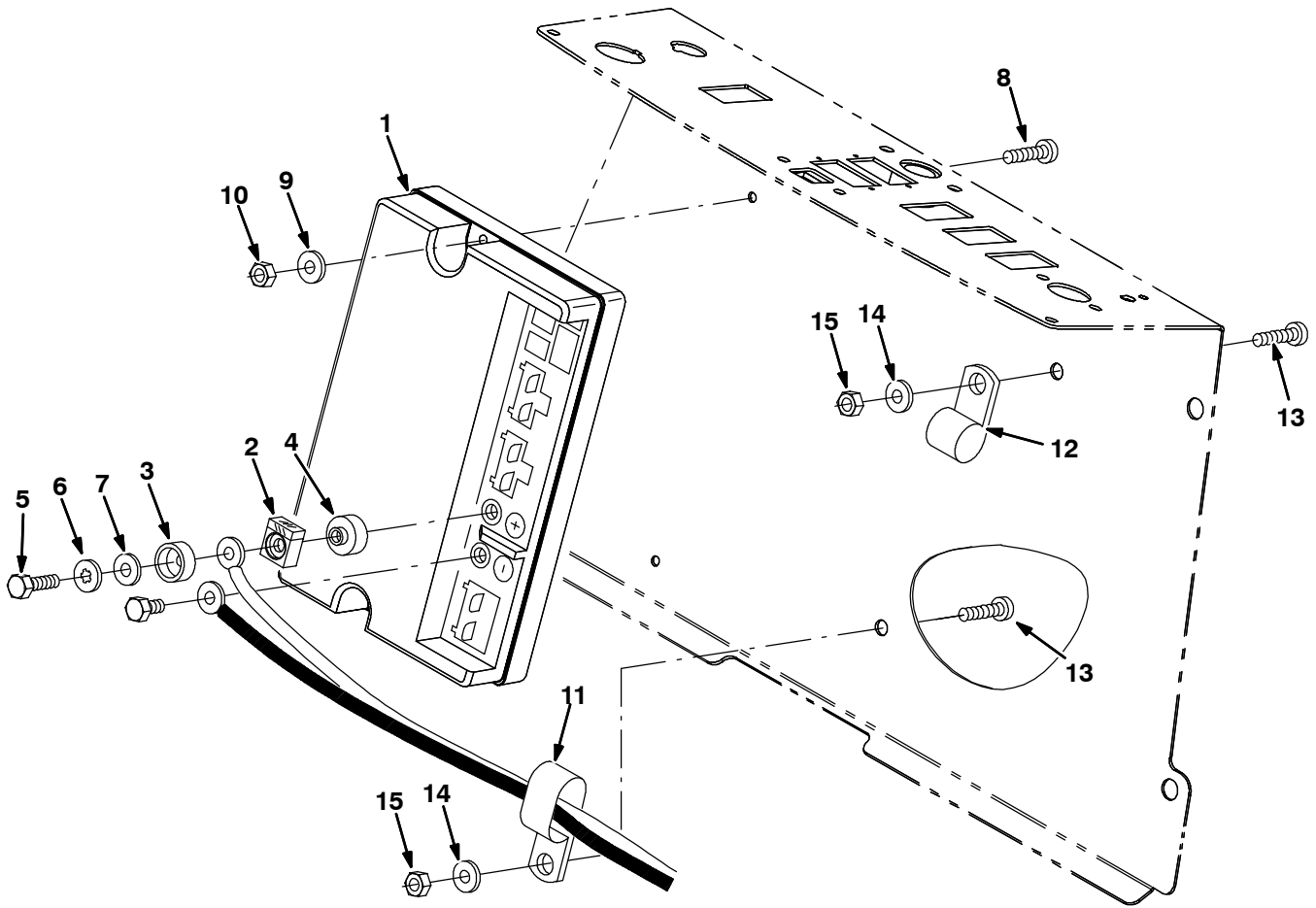


Fig. 8 - Controller Group

Ref.	Nobles- Part No.	Description	Qty.
1	393156	Controller, Mach	1
2	392895	Fuse, 125 Amp, 58vdc	1
3	1002672	Insulator, Mtg, Fuse	1
4	1005650	Sleeve, Fuse, Controller	1
5	87308	Screw, Hex, M06 X 1.0 X 12, 8.8	1
6	32982	Washer, Lock, Int, .25	1
7	32483	Washer, Flat, .25 Sae	1
8	06937	Screw, Pan, M05 X 0.8 X 35, 4.8	2
9	19324	Washer, Flat, #10 Sae	2
10	06549	Nut, Hex, Lock, M05 X 0.8, NI	2
11	09570	Clamp, Cable, Stl, 0.9x1.8 X 0.88w, 1h	1
12	82829	Clamp, Cable, Stl, 0.63d X 0.75w, 1h	1
13	393135	Screw, Btn, M8x 1.25 X 20, Blk	2
14	39349	Washer, Flat, .31 Sae	2
15	08709	Nut, Hex, Lock, M08 X 1.25, NI	2

Fig. 9 - Front Drive Wheel Group

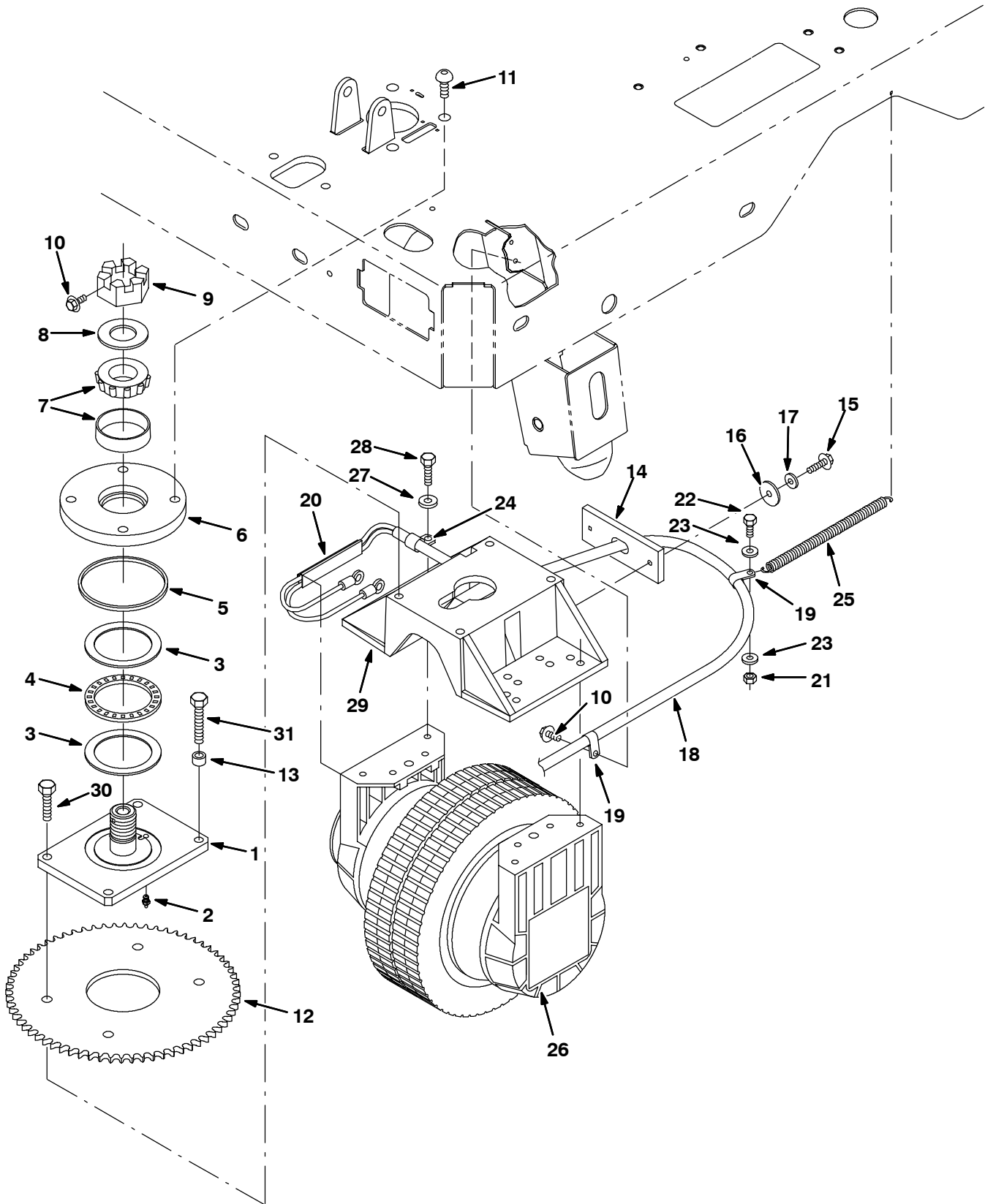


Fig. 9 - Front Drive Wheel Group

Ref.	Nobles- Part No.	Description	Qty.
1	390855	Plate Wldt, Swivel	1
2	07259	Fitting, Grease, Str Pm04 .47l	1
3	223161	Washer, Thrust	2
4	223154	Bearing, Thrust, 2.75b 3.63d 0.13w	1
5	223160	Seal, Felt, .19th, 4.3d 04.0h	1
6	223157	Plate, Swivel, Bottom	1
7	49225	Bearing Assy, Cup/Cone	1
8	223153	Washer	1
9	223159	Nut, Hex, Slt'd, 1.25-12	1
10	361339	Screw, Hex, M06 X 1.0 X 16, Fmg	2
11	83097	Screw, Btn, M12 X 1.75 X 25, 10.9 NI	4
12	390785	Sprocket, Steering, Drive	1
13	390879	Spacer, .41b X .63od X .38l	1
14	1001959	Flap, Strainrelief	1
15	222159	Screw, Hex, M06 X 1.0 X 25, Fmg	2
16	32490	Washer, Flat, .25 Std	2
17	41178	Washer, Flat, 0.25 Fender	2
18	392892	Harness, Wire, Traction Motor	1
19	26395-1	Clamp, Cable, Stl, 0.56d X 0.38w, 1h	2
20	391300	Duct, Pvc, 0.40 X 0.75 0.40l	1
21	08712	Nut, Hex, Lock, M06 X 1.0, NI, Ss	1
22	15678	Screw, Hex, M06 X 1.0 X 16, Ss	1
23	32483	Washer, Flt, .25 Sae	2
24	67767	Clamp, Cable, Stl, 0.69d X 0.62w, 1h	1
25	22298	Spring, Extn, 0.50od X 0.05wir, 8.0l	1
26	390851	Gearbox, Wheel, Front, 250mm (See Breakdowns)	1
27	01685	Washer, Flt, .31 Ss	6
28	222504	Screw, Hex, M08 X 1.25 X 55, Ss	6
29	390848	Plate, Adapter, Wheel	1
30	06962	Screw, Hex, M10 X 1.5 X 45, 8.8	3
31	16930	Screw, Hex, M10 X 1.5 X 50, 8.8	1

Fig. 10 - Front Brake Linkage Group

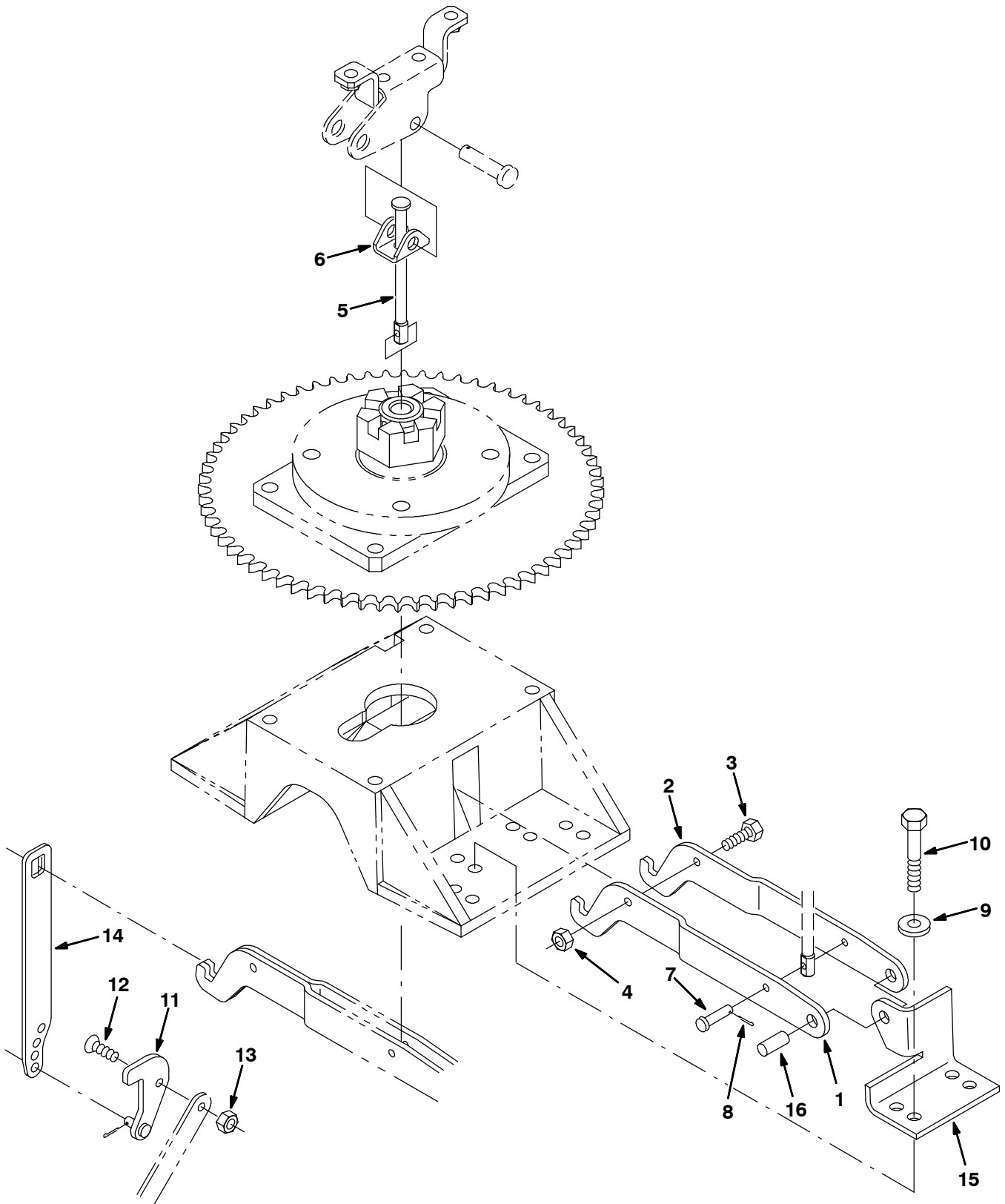


Fig. 10 - Front Brake Linkage Group

Ref.	Nobles- Part No.	Description	Qty.
1	390892	Arm, Link, Brake, Lh	1
2	390893	Arm, Link, Brake, Rh	1
3	08716	Screw, Hex, M06 X 1.0 X 20, Ss	1
4	08712	Nut, Hex, Lock, M06 X 1.0, NI, Ss	1
5	81685	Link, Brake	1
6	390868	Channel, Brake	1
7	36191	Pin, Clevis, 0.19 D X 1.00l	1
8	08170	Pin, Cotter, .062 X 0.50	2
9	01685	Washer, Flt, .31 Ss	2
10	06957	Screw, Hex, M08 X 1.25 X 60, Ss	2
11	390895	Arm Wldt, Brake	1
12	09062	Screw, Flat, M06 X 1.0 X 16, 10.9	1
13	08708	Nut, Hex, Lock, M06 X 1.0, NI	1
14	392968	Link, Brake	1
15	390856	Bracket, Brake, Pivot	1
16	390857	Pin, Brake	1

Fig. 11 - Brake Pedal and Directional Pedal Group

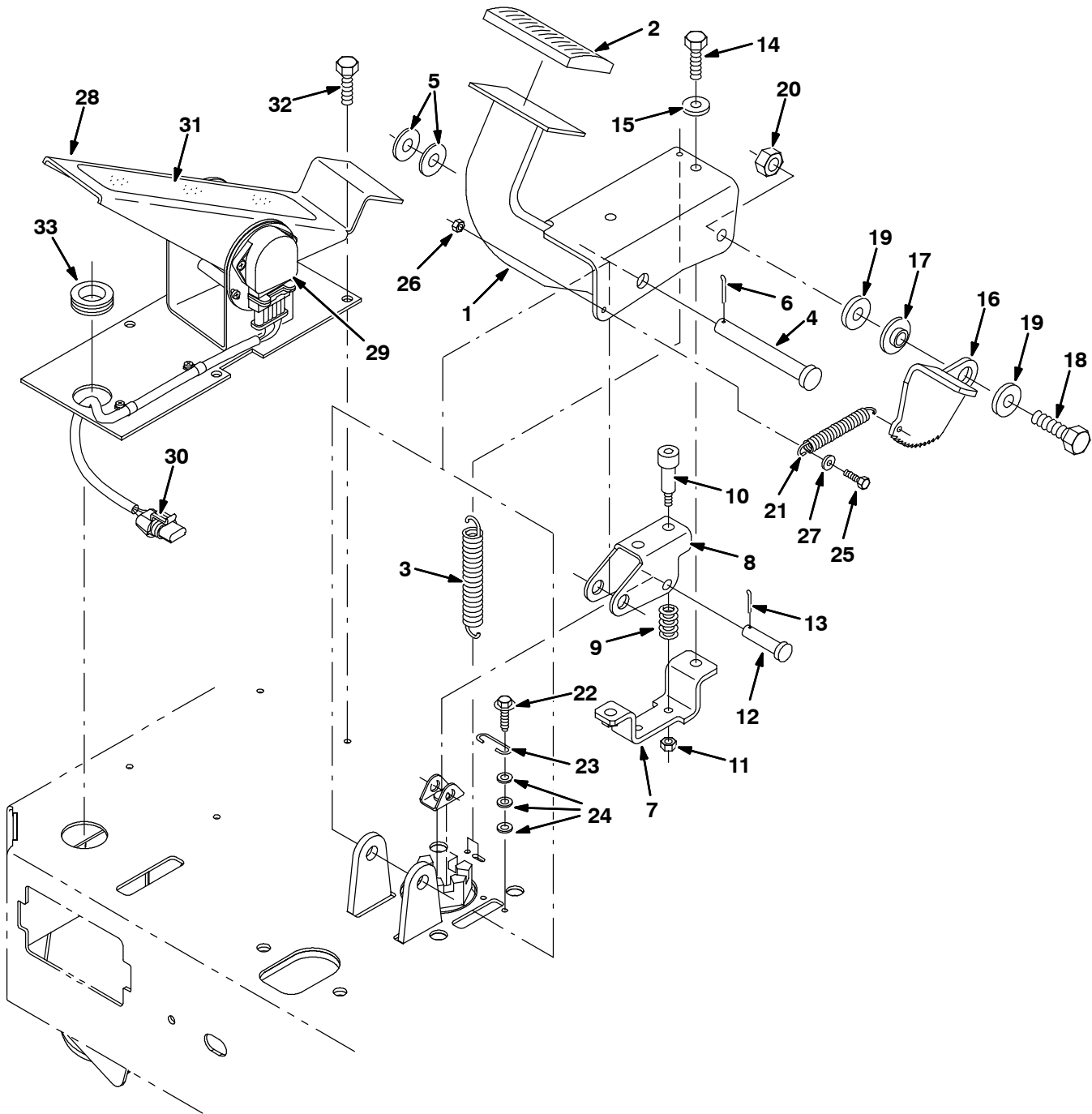


Fig. 11 - Brake Pedal and Directional Pedal Group

Ref.	Nobles- Part No.	Description	Qty.	
1	1005021	Pedal Wldt, Brake	1	
2	51109	Pad	1	
3	363981	Spring, Extn, 0.50od X 0.04wir, 3.0l	1	
4	374225	Pin, Clevis, 0.50 D X 3.75l	1	
5	32486	Washer, Flt, .50 Sae	2	
6	08182	Pin, Cotter, .125 X 1.00	1	
7	392966	Channel Wldt, Mtg, Spring	1	
8	390867	Channel, Mtg, Brake	1	
9	81672	Spring, Cmpr, .37id X Flat Wir 1.0l	2	
10	16213	Bolt, Shld, .31d X 1.00, .25-20	2	
11	75934	Nut, Hex, Lock, .25-20, NI	2	
12	29558	Pin, Clevis, 0.37 D X 1.50l	1	
13	39005	Pin, Cotter, .094 X 0.75	1	
14	12274	Screw, Hex, M06 X 1.0 X 20, NI	2	
15	32483	Washer, Flt, .25 Sae	2	
16	83149	Pedal, Brake, Lock	1	
17	363087	Bushing, Flng, 0.44b 1.25d 0.25l	1	
18	39284	Screw, Hex, M10 X 1.5 X 35, 8.8	1	
19	32492	Washer, Flt, .38 Std	2	
20	41430	Nut, Hex, Lock, M10 X 1.5, NI	1	
21	54745	Spring, Extn, 0.38od X 0.04wir, 2.3l	1	
22	55845	Screw, Hex, M05 X 0.8 X 16, Fmg	2	
23	97031	Spring, Wir, 0.08d, Brake, Parking	1	
24	19066	Washer, Flt, #10	6	
25	09228	Screw, Hex, M04 X 0.7 X 20, 8.8	1	
26	02850	Nut, Hex, Lock, M04 X 0.7, NI	1	
27	19065	Washer, Flat, #08	1	
▽	28	223621	Pedal Assy, Foot	1
▲	29	385728	Sensor, Pedal Position	1
▲	30	385729	Harness, Pedal	1
▲	31	82839	Tread, Non-Skid, 02.2w 11.5l	1
	32	74455	Screw, Hex, M06 X 1.0 X 12, Fmg	4
	33	10632	Grommet, Rbr, 0.89id, F/ 1.2h, .14matl	1

Fig. 12 - Rear Wheel Group

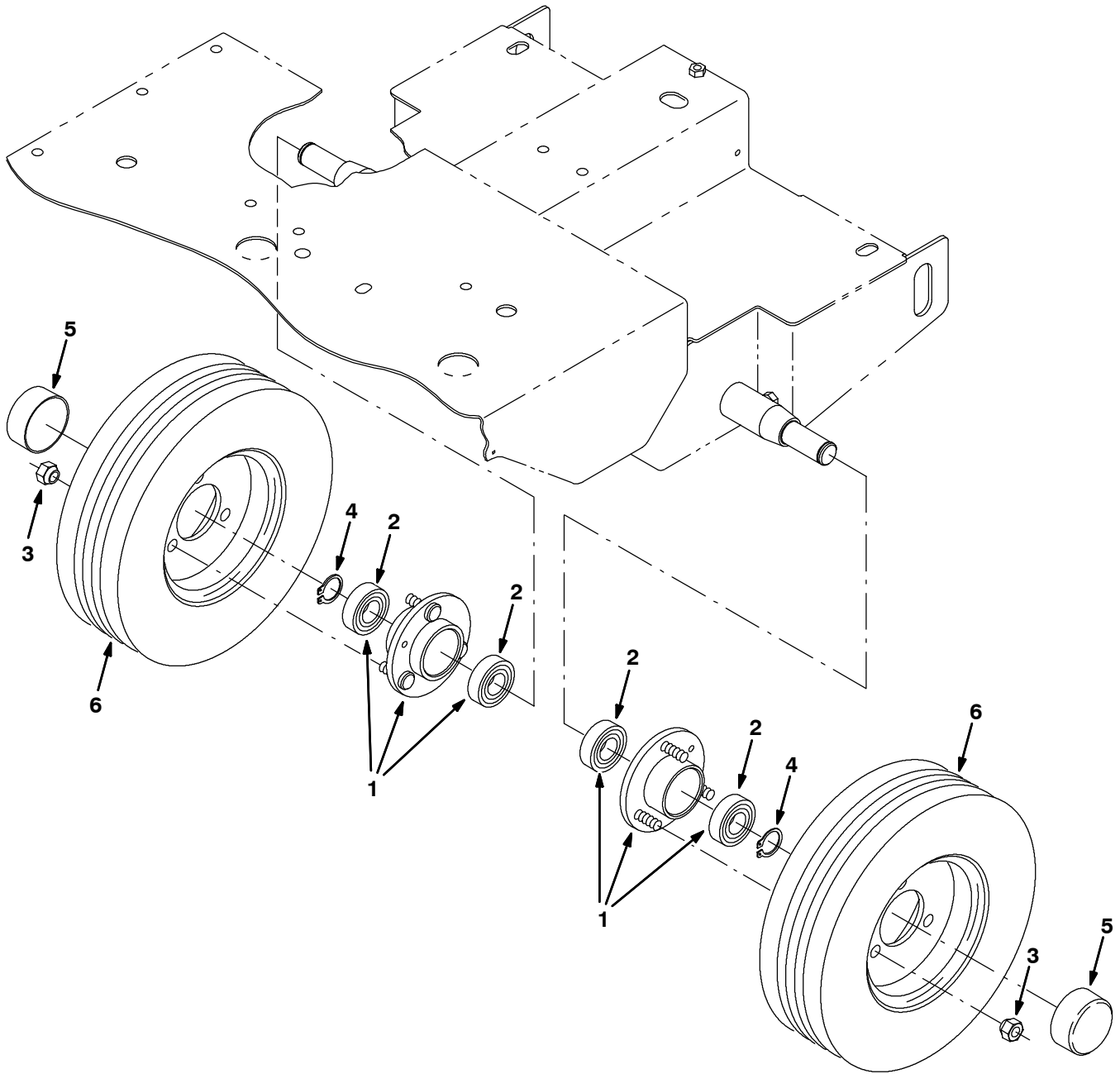


Fig. 12 - Rear Wheel Group

	Ref.	Nobles- Part No.	Description	Qty.
▽	1	391382	Housing Assy, Wheel [7100/Ez Rider]	2
▲	2	13534	Bearing, Ball, 0.98b 2.05d 0.59w	2
	3	11109	Nut, Wheel, .44-20 X 60 Angle	6
	4	09005	Ring, Retaining, Ext, 1.00d, Basic	2
	5	390905	Cap, Axle, Vyl, 02.38d	2
	6	369345	Tire Assy, Solid, 12.3x3.5 3.5bc/3bolt	2

Fig. 13 - Scrub Head Lift Group

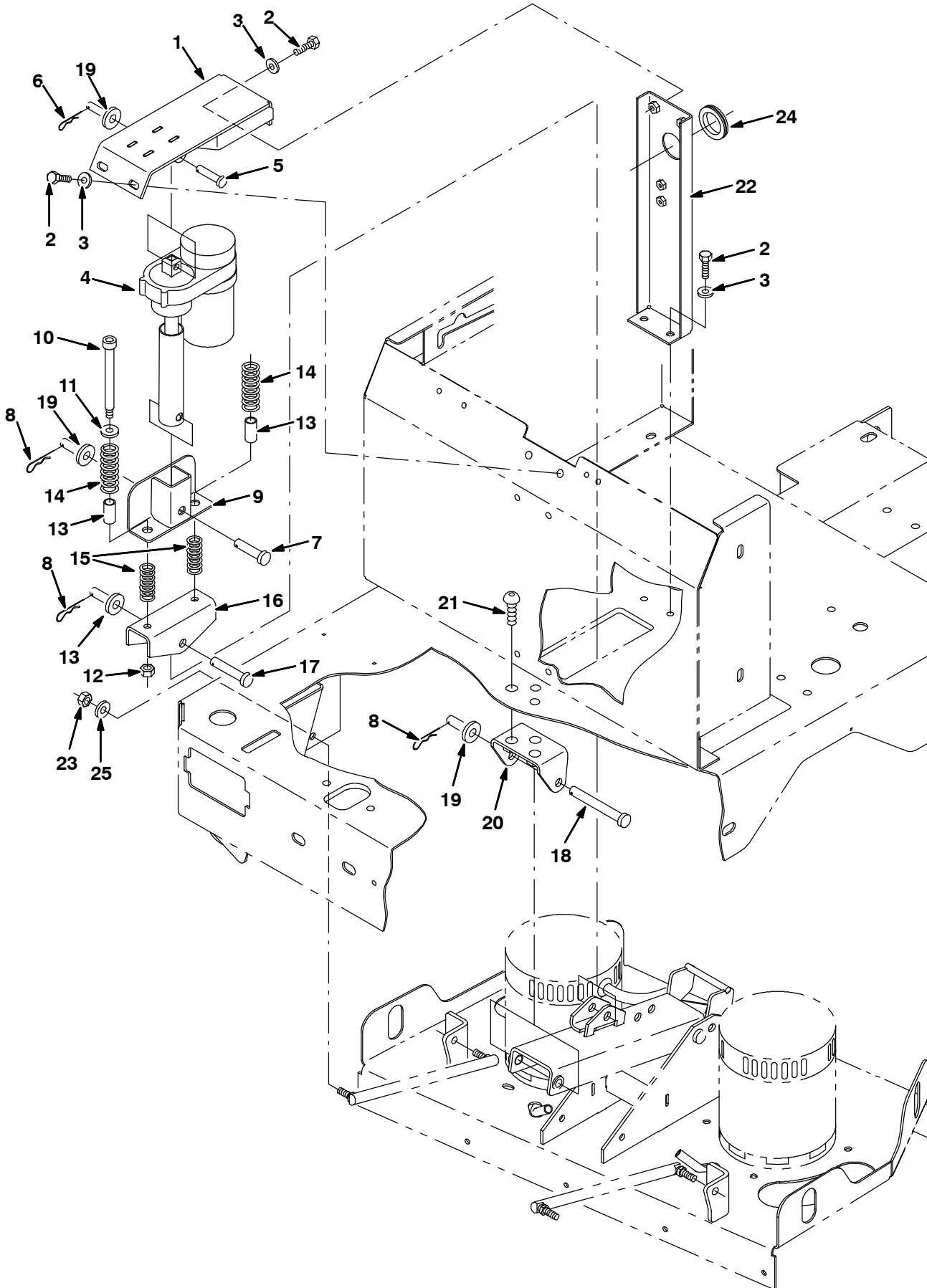


Fig. 13 - Scrub Head Lift Group

Ref.	Nobles- Part No.	Description	Qty.
1	393023	Channel Wldt, Actuator, Mtg	1
2	39277	Screw, Hex, M08 X 1.25 X 25, 8.8	6
3	39349	Washer, Flt, .31 Sae	6
4	393151	Kit, Replmt, Actuator	1
5	17461	Pin, Clevis, 0.37 D X 1.75l	1
6	86866	Pin, Hair Cotter, 0.38 D .072 Wir	1
7	51534	Pin, Clevis, 0.50 D X 2.00l	1
8	02942	Pin, Hair Cotter, 0.62 D .120 Wir	3
9	392887	Bracket Wldt, Guide, Actuator	1
10	45960	Bolt, Shld, .50d X 4.25, .38-16	2
11	32486	Washer, Flt, .50 Sae	4
12	36643	Nut, Hex, Lock, .38-16, NI, Thin	2
13	50682	Sleeve, .50id X .62od X 1.31l	2
14	223518	Spring, Cmpr, 0.98od .14wir 2.5l	2
15	223517	Spring, Cmpr, 0.84od .11wir 2.0l	2
16	390665	Channel, Input, Tool, Lift	1
17	11211	Pin, Clevis, 0.50 D X 2.25l	1
18	222196	Pin, Clevis, 0.50 D X 4.00l	1
19	32486	Washer, Flat, .50 Sae	5
20	392967	Channel Wldt, Mtg, Tool, Lift	1
21	83097	Screw, Btn, M12 X 1.75 X 25, 10.9 NI	3
22	392816	Channel Wldt, Sppt	1
23	50269	① Nut, Hex, Lock, .38-24, NI, Ss	2
23	08714	② Nut, Hex, Lock, M10 x 1.5, NI, Ss	2
24	04051	Grommet, Rbr, 1.31id, F/ 1.6h, .12matl	1
25	01686	Washer, Flt, .38 Ss	2

① Serial number (0000000-xxxxxxx)

② Serial number (xxxxxxx-)

STANDARD PARTS

Fig. 14 - Disk Scrub Head Drive Motor Group, 700 mm (28 in)

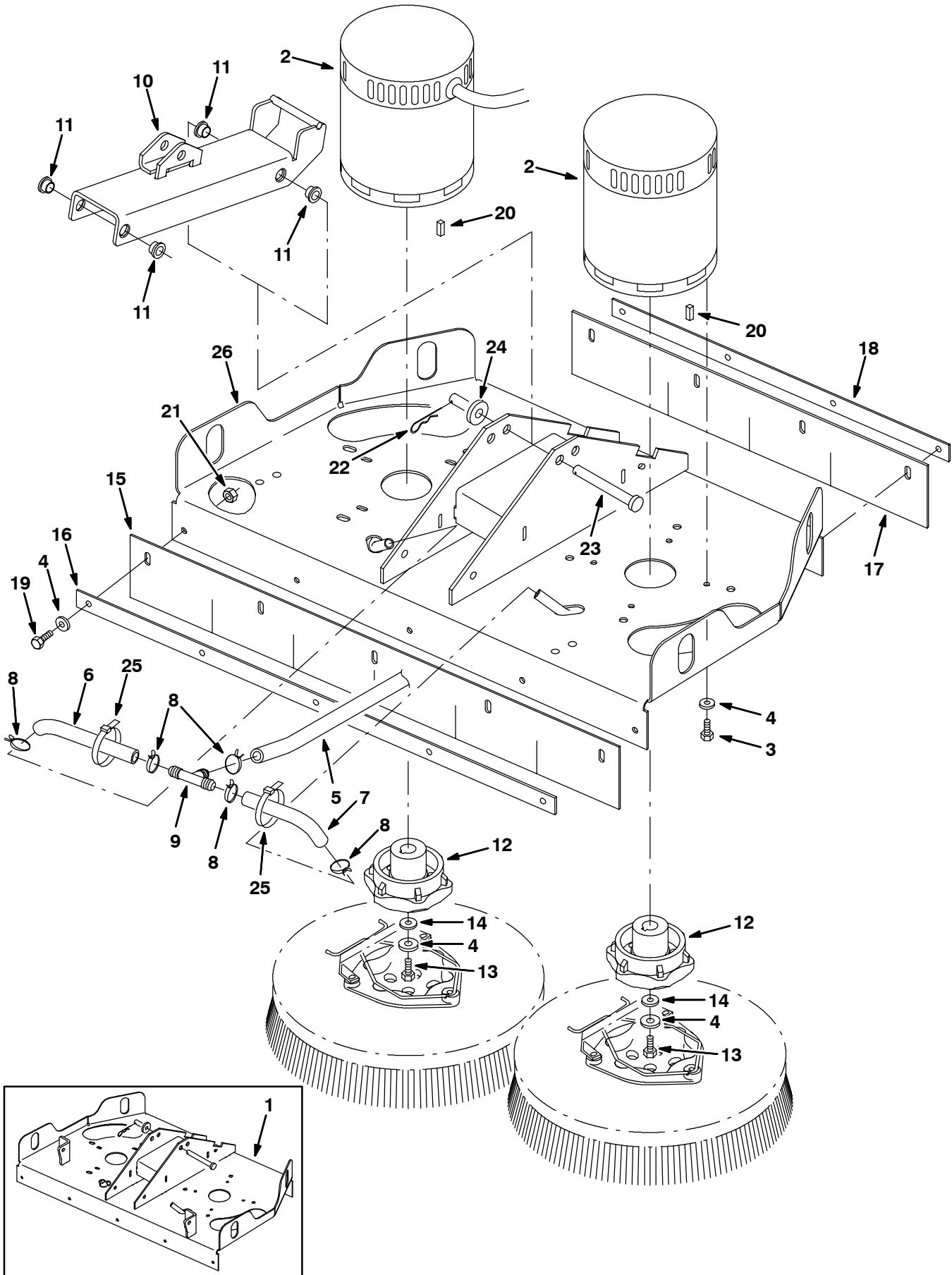


Fig. 14 - Disk Scrub Head Drive Motor Group, 700 mm (28 in)

NOTE: Disk Scrub Head Kit, Nobles Part Number 393001, includes Fig. 14, and Fig. 15.

Ref.	Nobles- Part No.	Description	Qty.
1	393164	Ⓛ Kit, Ci, Scrubhead, 700mm	1
2	390849	Motor, Ele, 36vdc, 0.50hp, 0320rpm	2
3	24672	Screw, Hex, .25-20 X 0.75, Ss	8
4	01684	Washer, Flt, 25 Ss	19
5	393124	Hose, Pvc, Clr, 0.50id 0.70od 26.0l	1
6	393122	Hose, Pvc, Clr, 0.50id 0.70od 07.0l	1
7	393121	Hose, Pvc, Clr, 0.50id 0.70od 05.0l	1
8	607776	Clamp Hose .73-.77 2 Wire Blk	5
9	63245-1	Fitting, Plstc, Tee, Bm08/Bm08/Bm08	1
10	392904	Channel Wldt, Lift Tool	1
11	15648	Bushing, Flng, 0.50b 0.59d 0.38l	4
12	397715	Hub, Drive, Brush	2
13	02991	Screw, Hex, .31-18 X 0.75, Ss	2
14	41186	Washer, Belleville, .31	2
15	390633	Skirt, Front, Scb, Disk, 28 Inch	1
16	390635	Strip, Retainer, Skirt, Front, 28 Inch	1
17	390634	Skirt, Rear, Scb, Disk, 28 Inch	1
18	390636	Strip, Retainer, Skirt, Rear, 28 Inch	1
19	08716	Screw, Hex, M06 X 1.0 X 20, Ss	9
20	00926	Key, Sq, 0.25 X 0.25, 00.75l	2
21	08712	Nut, Hex, Lock, M06 X 1.0, NI, Ss	9
22	44906	Pin, Hair Cotter, 0.69 D .092 Wir	1
23	222196	Pin, Clevis, 0.50 D X 4.00l	1
24	32486	Washer, Flt, .50 Sae	1
25	44961	Tie, Cable, Nyl, 14.5L .30W 4.0 Max D	2
26	1006122	Ⓜ Head Wldt, Scb, Disk, 700mm	1

Ⓛ Serial number (0000000-xxxxxxx)

Ⓜ Serial number (xxxxxxx-)

STANDARD PARTS

Fig. 15 - Disk Scrub Head Linkage and Squeegee Group, 700 mm (28 in)

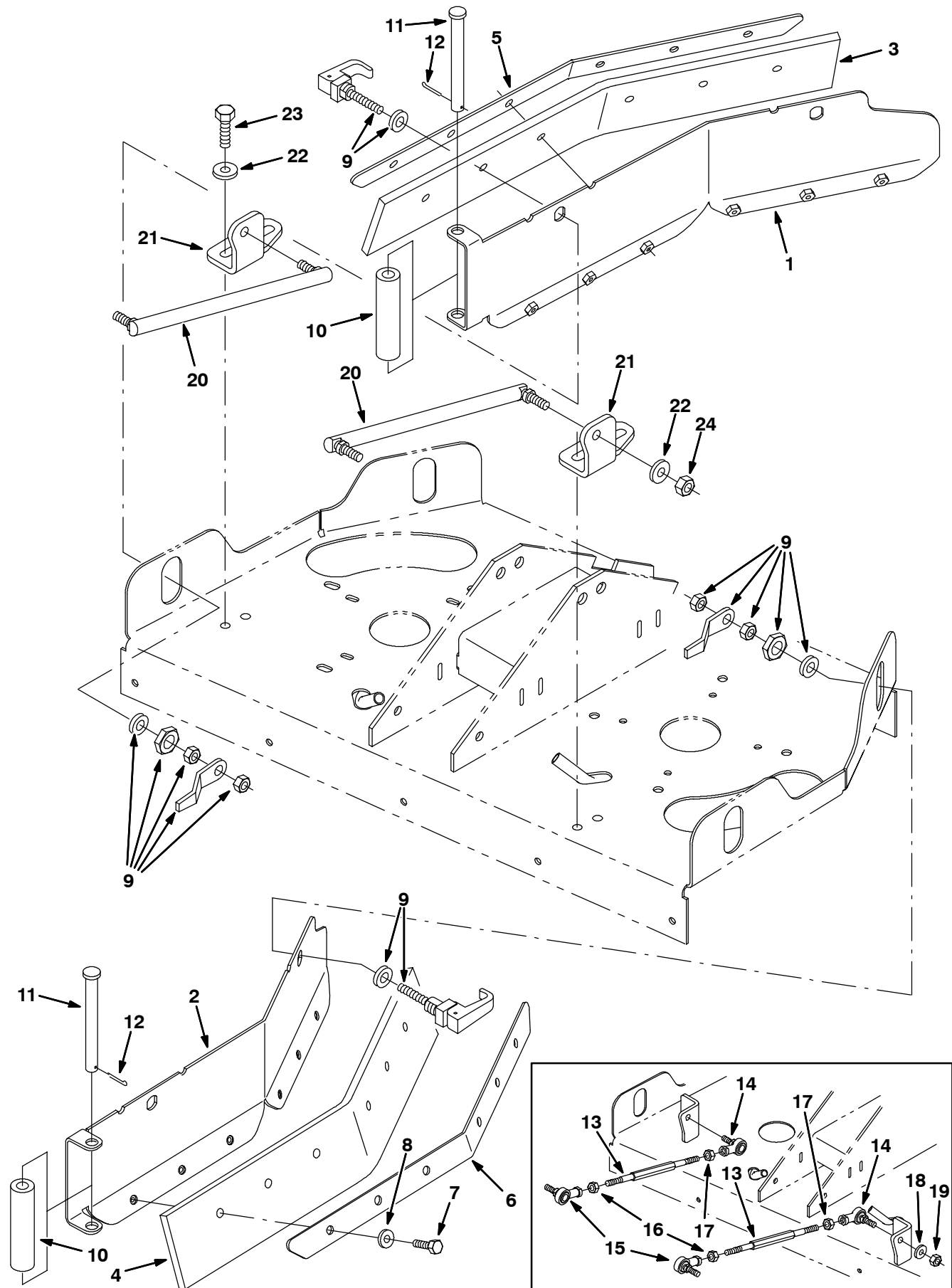


Fig. 15 - Disk Scrub Head Linkage and Squeegee Group, 700 mm (28 in)

NOTE: Disk Scrub Head Kit, Nobles Part Number 393001, includes Fig. 14, and Fig. 15.

Ref.	Nobles- Part No.	Description	Qty.
1	1001268	Angle, Rh	1
2	392841	Angle, Lh	1
3	1001290	Blade, Sqge, Rh	1
4	392842	Blade, Sqge, Lh	1
5	392823	Retainer, Rh	1
6	392840	Retainer, Lh	1
7	09007	Screw, Hex, M06 X 1.0 X 25, Ss	12
8	01684	Washer, Flat, .25 Ss	12
9	65695	Latch	4
10	222055	Roller, Linkage, Head	2
11	222197	Pin, Clevis, 0.50 D X 4.75l	2
12	08175	Pin, Cotter, .125 X 1.25	2
13	390666	① Rod, Thrd, 2 End, .38-24 09.0l Lh/Rh	2
14	86780	① Rod-End, .38-24lh Fem 0.38-24stud	2
15	86781	① Rod-End, .38-24rh Fem 0.38-24stud	2
16	20171	① Nut, Hex, Jam, .38-24	2
17	82889	① Nut, Hex, Jam, .38-24, Lh	2
18	01686	① Washer, Flat, .38 Ss	2
19	50269	① Nut, Hex, Lock, .38-24, NI, Ss	2
20	392882	② Link, Balljoint, M10 X 1.5, 11.0l	2
21	1006123	② Bracket, Link, Head, Disk	2
22	01686	② Washer, Flat, .38 Ss	6
23	10959	② Screw, Hex, M10 X 1.5 X 20, Ss, NI	4
24	08714	② Nut, Hex, Lock, M10 X 1.5, NI, Ss	2

① Serial number (0000000-xxxxxxx)

② Serial number (xxxxxxx-)

Fig. 16 - Recovery Tank Group

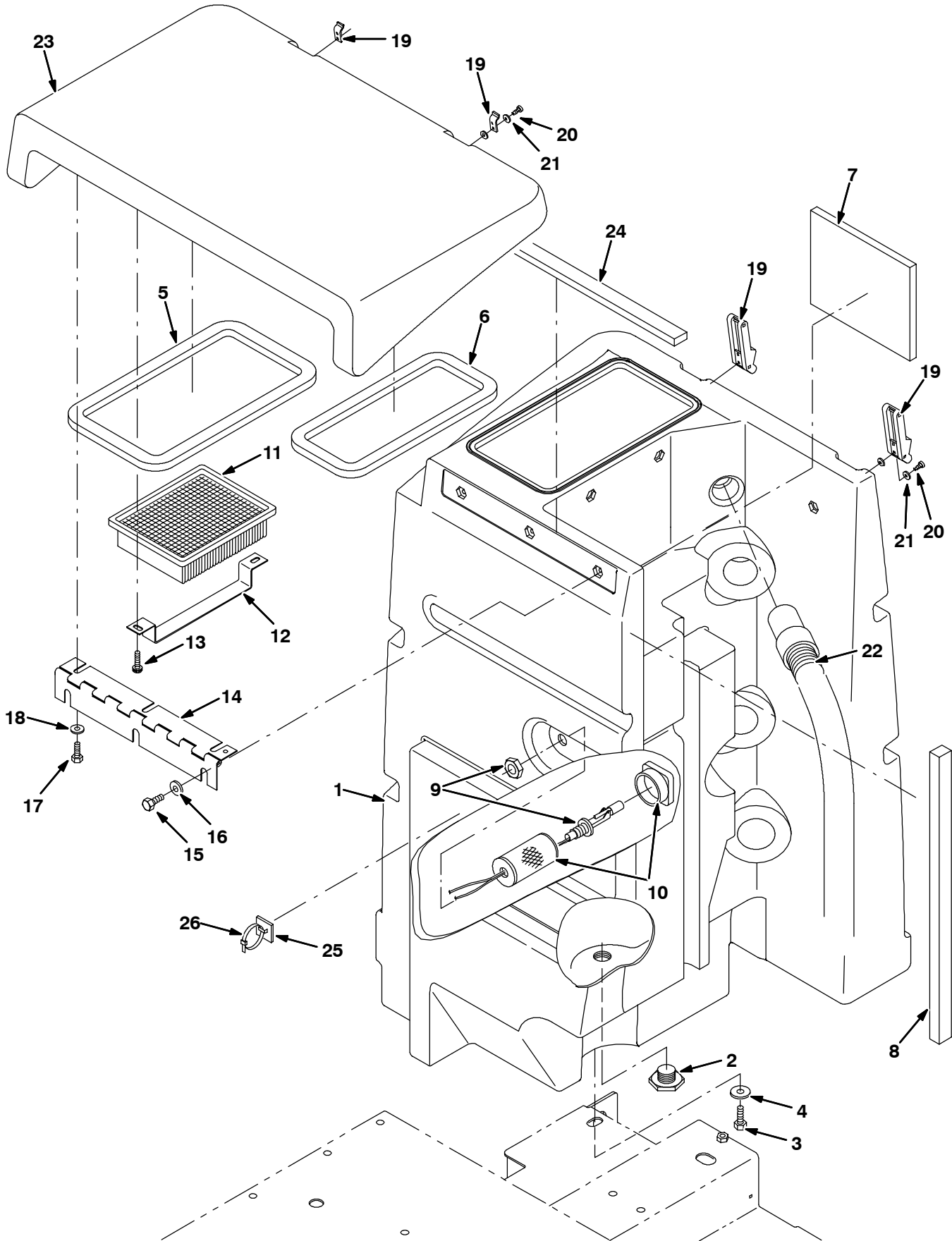


Fig. 16 - Recovery Tank Group

Ref.	Nobles- Part No.	Description	Qty.	
	1	392951	Tank, Recvy, W/ Es, Afmkt [Ezrider Hp]	1
▽	1	392952	Tank, Recvy, W/O Es, Afmkt [Ezrider Hp]	1
▲	2	75611	Fitting, Plstc, Plug, Pm12	1
	3	12273	Screw, Hex, M08 X 1.25 X 20, Ss, NI	3
	4	13248	Washer, 0.40b 1.12d .12, Stl, PI	3
	5	390882	Seal, Tank, Recvy	1
	6	390883	Seal, Tank, Soltn	1
	7	391338	Insulation, Acstc	1
	8	391341	Insulation, Acstc	1
	9	222822	Sensor, Level, Liquid [Magnetic]	1
	10	375302	Strainer, Soltn, Switch Guard	1
	11	386326	Filter, Fan	1
	12	393133	Bracket, Filter	1
	13	603012	Knob, Rnd, . D . L	2
	14	391351	Hinge, .25pin .08 3.5w 13.0l 4/.25slot	1
	15	09740	Screw, Hex, M08 X 1.25 X 20, Ss	3
	16	01685	Washer, Flat, .31 Ss	3
	17	15678	Screw, Hex, M06 X 1.0 X 16, Ss	3
	18	01684	Washer, Flat, .25 Ss	3
	19	49800	Latch	2
	20	391403	Screw, Pan, M04x0.7 X 8, Ss	8
	21	41578	Washer, Flat, #06 Ss	8
	22	390946	Hose, Vacuum	1
	23	391146	Cover, Tank, Trim [Nobles]	1
	24	391372	Insulation, Acstc	1
	25	55248	Mount, Cable Tie	1
	26	49266	Tie, Cable, Nyl 07.3L .19W 1.8 Max D	1

Fig. 17 - Vacuum Fan Group

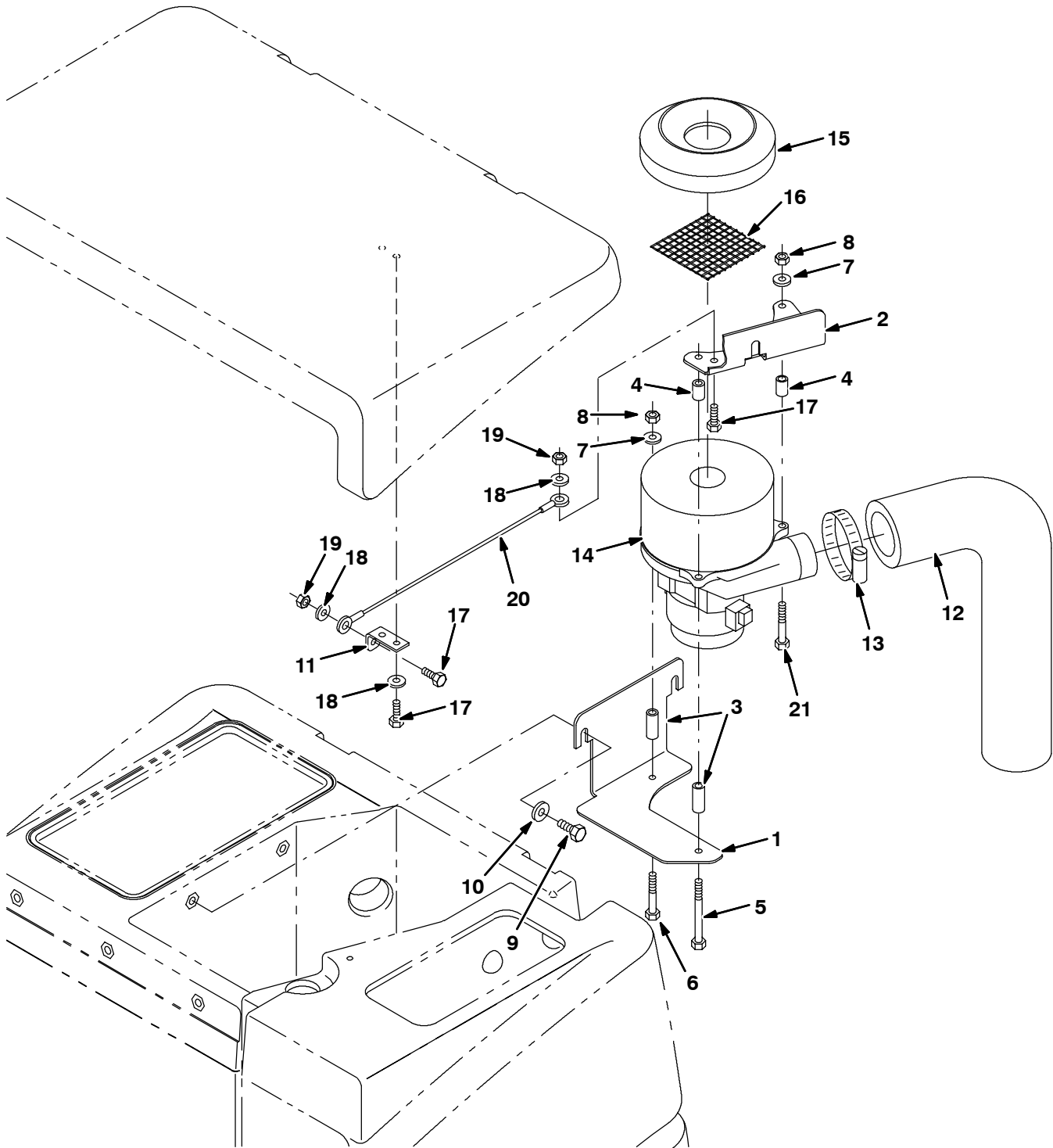


Fig. 17 - Vacuum Fan Group

Ref.	Nobles- Part No.	Description	Qty.	
1	393027	Bracket, Fan	1	
2	393028	Bracket, Fan	1	
3	222497	Sleeve	2	
4	360930	Sleeve	2	
5	391434	Screw, Hex, M06 X 1.0 X 80, Ss	1	
6	58979	Screw, Hex, M06 X 1.0 X 55, Ss	1	
7	01684	Washer, Flt, .25 Ss	3	
8	08712	Nut, Hex, Lock, M06 X 1.0, NI, Ss	3	
9	09740	Screw, Hex, M08 X 1.25 X 20, Ss	3	
10	01685	Washer, Flt, .31 Ss	3	
11	391309	Bracket, Cable	1	
12	390677	Muffler, Vacuum Fan	1	
13	22297	Clamp, Hose, Wormdrive, 1.56-2.50d	1	
▽	14	391296	Fan Assy, Vacuum (See Breakdowns)	1
▲	15	391343	Seal, Fan	1
▲	16	391350	Screen, Fan Inlet	1
	17	08716	Screw, Hex, M06 X 1.0 X 20, Ss	4
	18	01684	Washer, Flt, .25 Ss	4
	19	08712	Nut, Hex, Lock, M06 X 1.0, NI, Ss	2
	20	391368	Cable	1
	21	33930	Screw, Hex, M06 X 1.0 X 40, Ss	1

Fig. 18 - Solution Tank Group

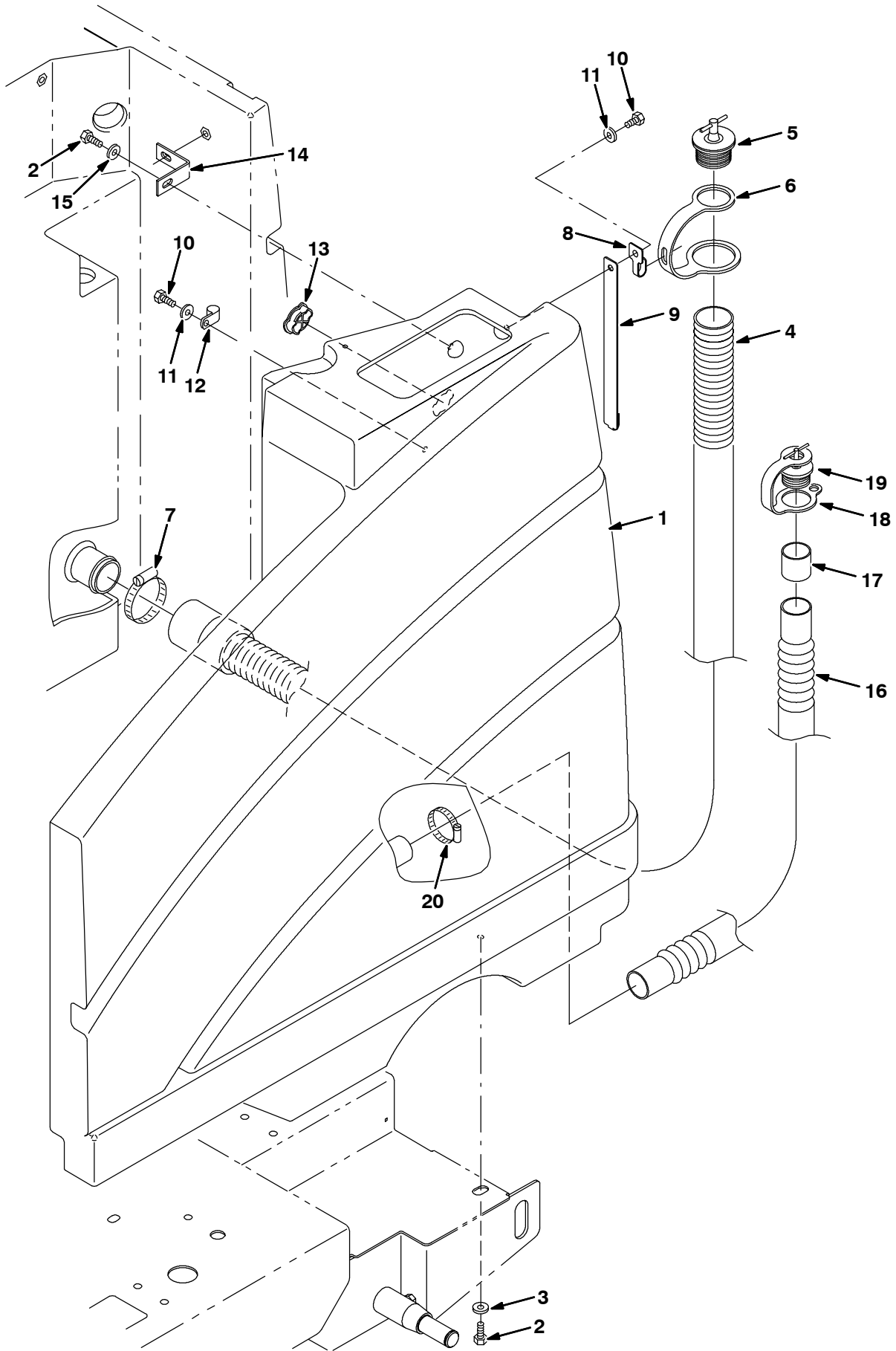


Fig. 18 - Solution Tank Group

Ref.	Nobles- Part No.	Description	Qty.
1	392901	Tank, Soltn, Trim [Ezrider Hp]	1
2	12273	Screw, Hex, M08 X 1.25 X 20, Ss, NI	5
3	13248	Washer, 0.40b 1.12d .12, Stl, PI	3
4	391317	Hose, Drain	1
5	391318	Plug, Expansion, 2.00 Dia	1
6	391319	Strap, Hose, Drain	1
7	17188	Clamp, Hose, Wormdrive, 1.62-3.50d	1
8	222793	Clip, Hanger, Hose	1
9	392878	Clip, Hose, Hanger	1
10	09740	Screw, Hex, M08 X 1.25 X 20, Ss	2
11	01685	Washer, Flat, .31 Ss	2
12	40678	Clamp, Cable, Stl, 0.44d X 0.62w, 1h	1
13	390994	Plug, Tank, Solution	1
14	392963	Angle, Bracket, Tank	1
15	01685	Washer, Flat, .31 Ss	2
16	630068	Hose, Drain, 1.50id X32.0l Scrubber	1
17	630394	Sleeve, Hose, Drain, 1.5id Copp	1
18	578441	Strap Drain Hose 170/443/E17	1
19	621324	Plug Expansion 1-1/2"Dia	1
20	140308	Clamp, Hose 1-5/16 To 2-1/4 Ss	1

Fig. 19 - Solution Control Group

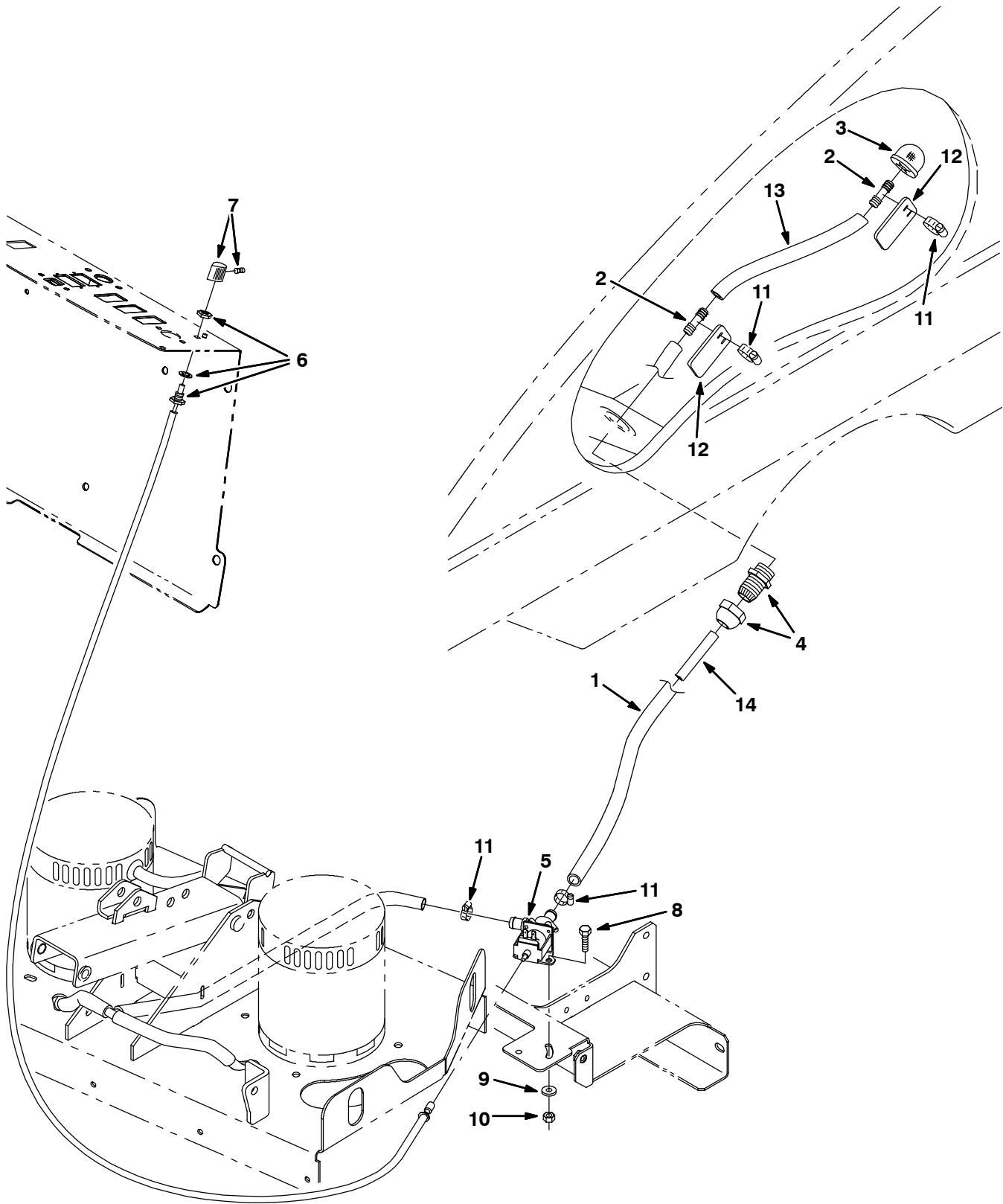


Fig. 19 - Solution Control Group

Ref.	Nobles- Part No.	Description	Qty.
1	392874	Hose, Pvc, Brd, 0.50id, 0.73od, 21.0l	1
2	364631	Fitting, Plstc, Str, Bm08/Bm08	2
3	222742	Screen, Drain	1
4	222374	Fitting, Plstc, Str, Spcl, 12pm/10cf	1
5	626100	Valve, Solution Fr Use 603954	1
6	392955	Cable, Water Flow, [Ezrider Hp]	1
7	626121	Knob, Rnd, 0.71d 0.75l 0.25b Plstc	1
8	08716	Screw, Hex, M06 X 1.0 X 20, Ss	2
9	01684	Washer, Flat, .25 Ss	2
10	08712	Nut, Hex, Lock, M06 X 1.0, NI, Ss	2
11	54333	Clamp, Hose, Wormdrive, 0.31-0.88d	4
12	1005770	Weight, Soltn Hose	2
13	393150	Hose, Pvc, Brd, 0.50ld, 0.73Od, 15.0L	1
14	1006520	Tube, Pye, 0.50Od 0.38ld 3.0L	1

Fig. 20 - Battery Cable Group

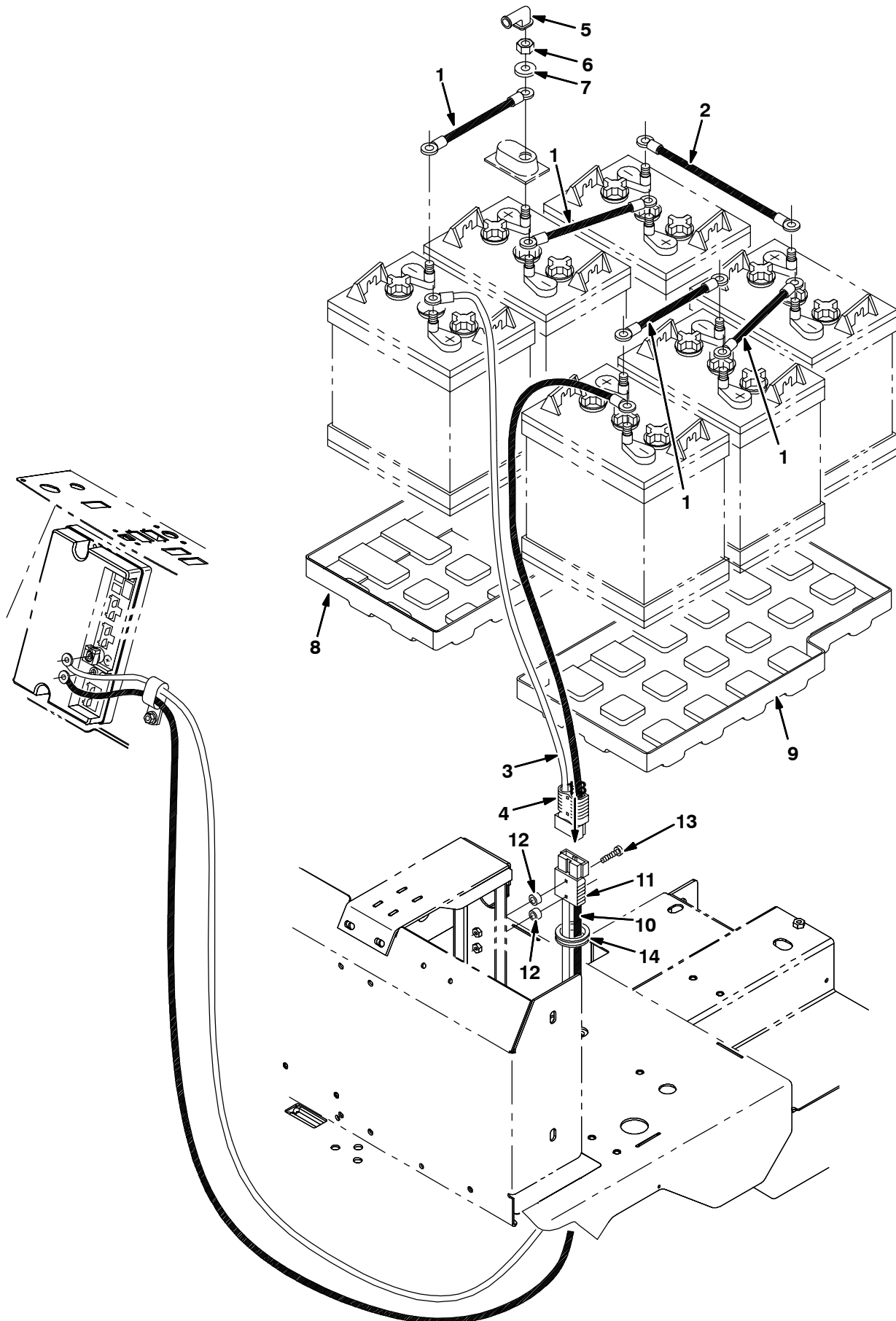


Fig. 20 - Battery Cable Group

	Ref.	Nobles- Part No.	Description	Qty.
	1	223355	Wire, 04ga 08.0l Blk .34ring /.34ring	4
	2	223356	Wire, 04ga 12.0l Blk .34ring /.34ring	1
▽	3	223361	Cable Assy, Battery, 04ga 2, 175a	1
▲	4	22892	Connector, Anderson, 175a, Gray	1
	5	02076	Boot, 90deg .50d .57d X .84	12
	6	87435	Nut, Hex, Flexlock, .31-18	12
	7	01685	Washer, Flt, .31 Ss	12
	8	393117	Tray, Battery, Rh	1
	9	393118	Tray, Battery, Lh	1
▽	10	393125	Cable, Battery	1
▲	11	22892	Connector, Anderson, 175a, Gray	1
	12	390879	Spacer, .41b X .63od X .38l	2
	13	09258	Screw, Pan, M06 X 1.0 X 40, 4.8	2
	14	04051	Grommet, Rbr, 1.31id, F/ 1.6h, .12matl	1

Fig. 21 - Rear Squeegee Lift Group

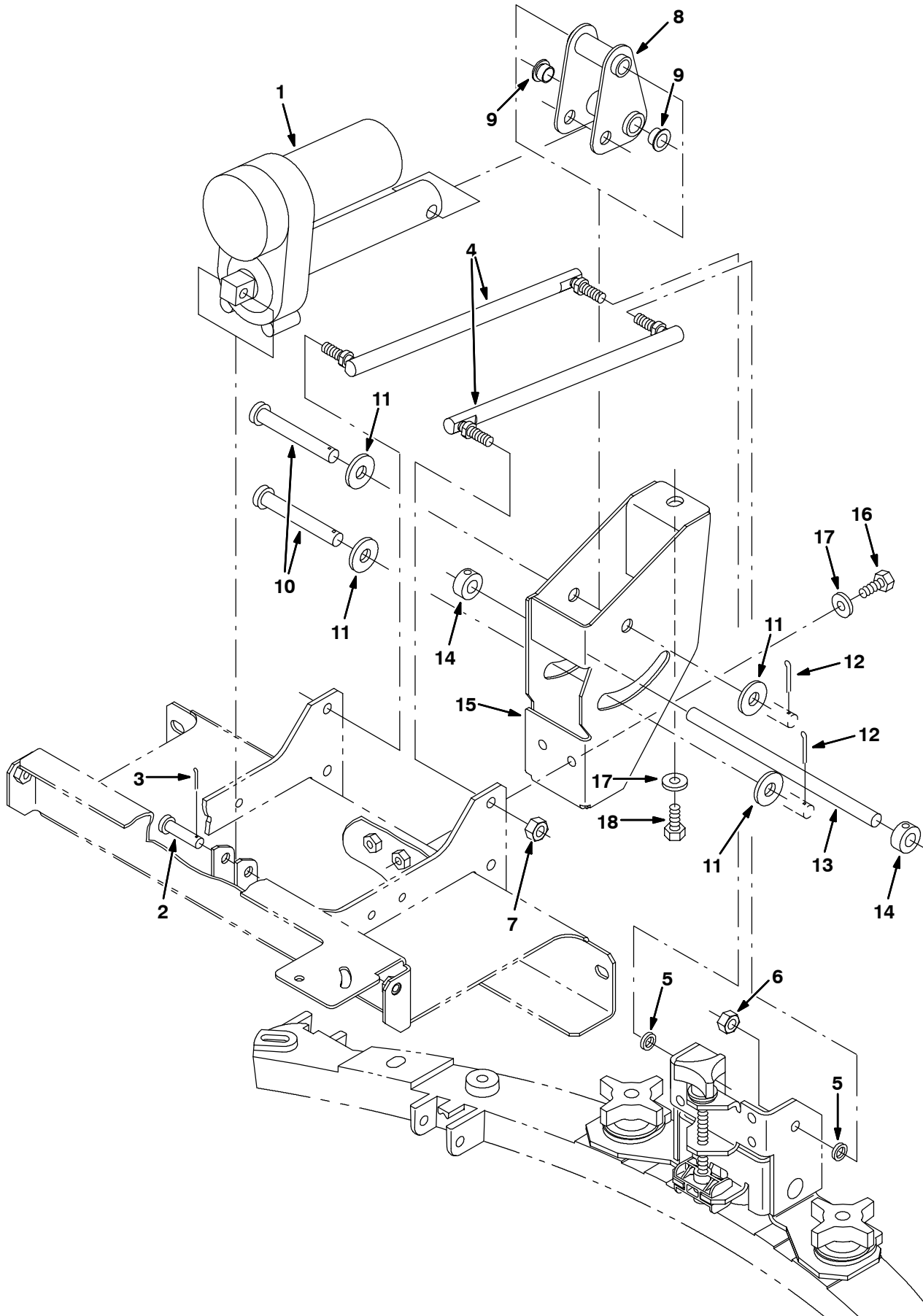


Fig. 21 - Rear Squeegee Lift Group

Ref.	Nobles- Part No.	Description	Qty.
1	390989	Actuator, 36vdc, 02.0stroke 300lb	1
2	29558	Pin, Clevis, 0.37 D X 1.50l	1
3	39005	Pin, Cotter, .094 X 0.75	1
4	392881	Link, Balljoint, .38-24, 10.5l	2
5	390880	Spacer, .41b .63d .13l, Ss 430pm	2
6	02185	Nut, Hex, Lock, .38-24, NI, Thin	2
7	50269	Nut, Hex, Lock, .38-24, NI, Ss	2
8	390965	Pivot Wldt, Actuator	1
9	15648	Bushing, Flng, 0.50b 0.59d 0.38l	2
10	06474A	Pin, Clevis, 0.50 D X 3.50l	2
11	41619	Washer, Flt, .50 Ss	4
12	08182	Pin, Cotter, .125 X 1.00	2
13	390970	Rod, Lift, Sqge	1
14	75371	Collar, Locking	2
15	1008388	Guide Wldt, Linkage, Sqge	1
16	12273	Screw, Hex, M08 X 1.25 X 20, Ss, NI	2
17	01685	Washer, Flt, .31 Ss	3
18	09740	Screw, Hex, M08 X 1.25 X 20, Ss	1

Fig. 22 - Rear Squeegee Linkage Group

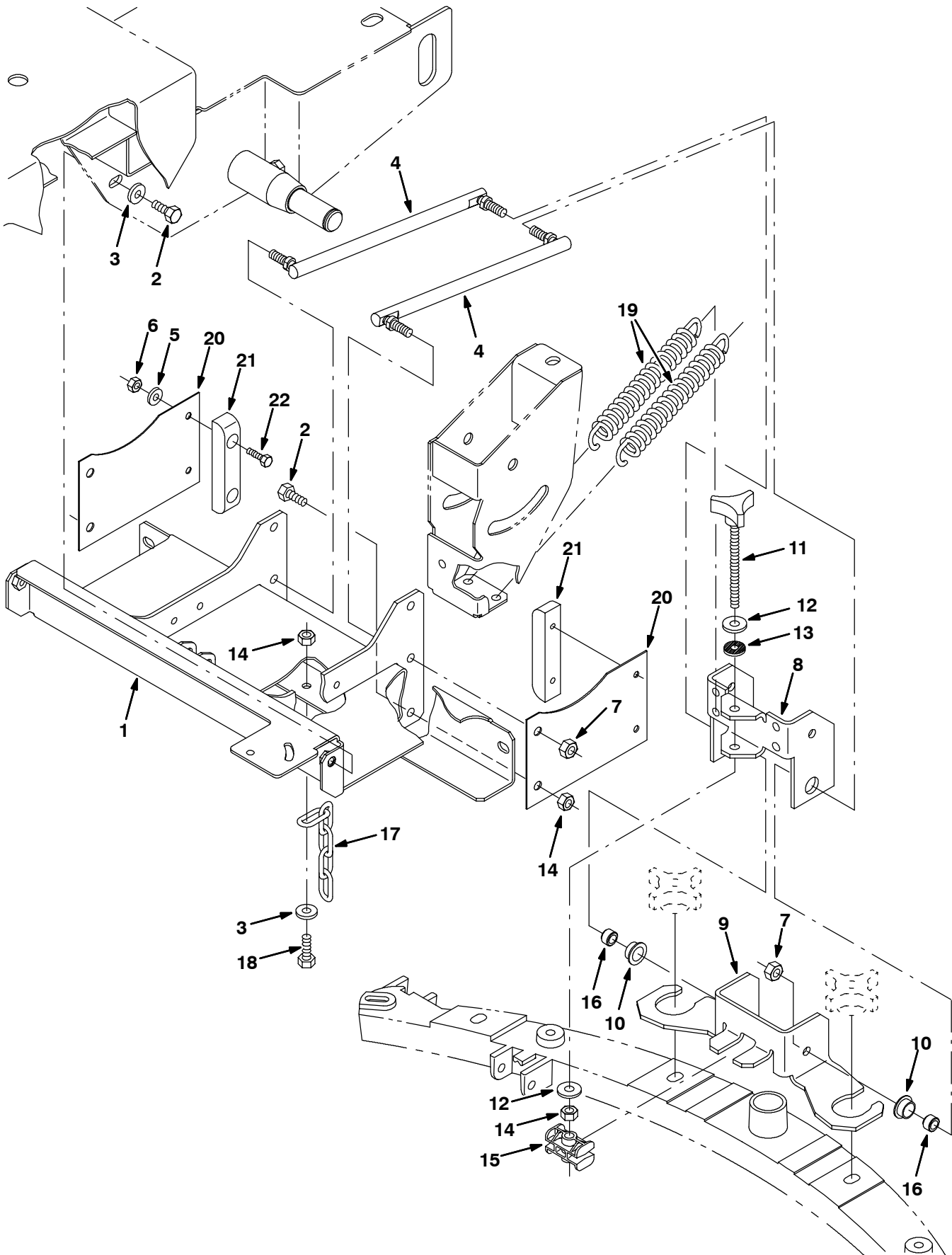


Fig. 22 - Rear Squeegee Linkage Group

Ref.	Nobles- Part No.	Description	Qty.
1	1006382	Frame Wldt, Linkage, Sqge	1
2	09740	Screw, Hex, M08 X 1.25 X 20, Ss	6
3	01685	Washer, Flt, .31 Ss	3
4	392881	Link, Balljoint, .38-24, 10.5l	2
5	01684	Washer, Flt, .25 Ss	4
6	08712	Nut, Hex, Lock, M06 X 1.0, NI, Ss	4
7	50269	Nut, Hex, Lock, .38-24, NI, Ss	4
8	392902	Channel, Sqge, Upper	1
9	392934	Channel, Sqge, Lower	1
10	25735	Bushing, Flng, 0.63b 0.75d 0.38l	2
11	71090	Knob	1
12	01686	Washer, Flt, .38 Ss	2
13	63416	Washer, 0.31b 0.88d .12, Rbr	1
14	08713	Nut, Hex, Lock, M08 X 1.25, NI, Ss	4
15	222233	Block, Sqge, Adj	1
16	390879	Spacer, .41b X .63od X .38l	2
17	40758	Chain, Coil, Str, #210, 06.9l 05 Link	1
18	09010	Screw, Hex, M08 X 1.25 X 25, Ss	1
19	222236	Spring, Extn, 1.00od X 0.12wir, 5.0l	2
20	390975	Spring, Centering	2
21	71211	Block, Centering	2
22	09007	Screw, Hex, M06 X 1.0 X 25, Ss	4

Fig. 23 - Rear Squeegee Group, 700 mm (28 in)

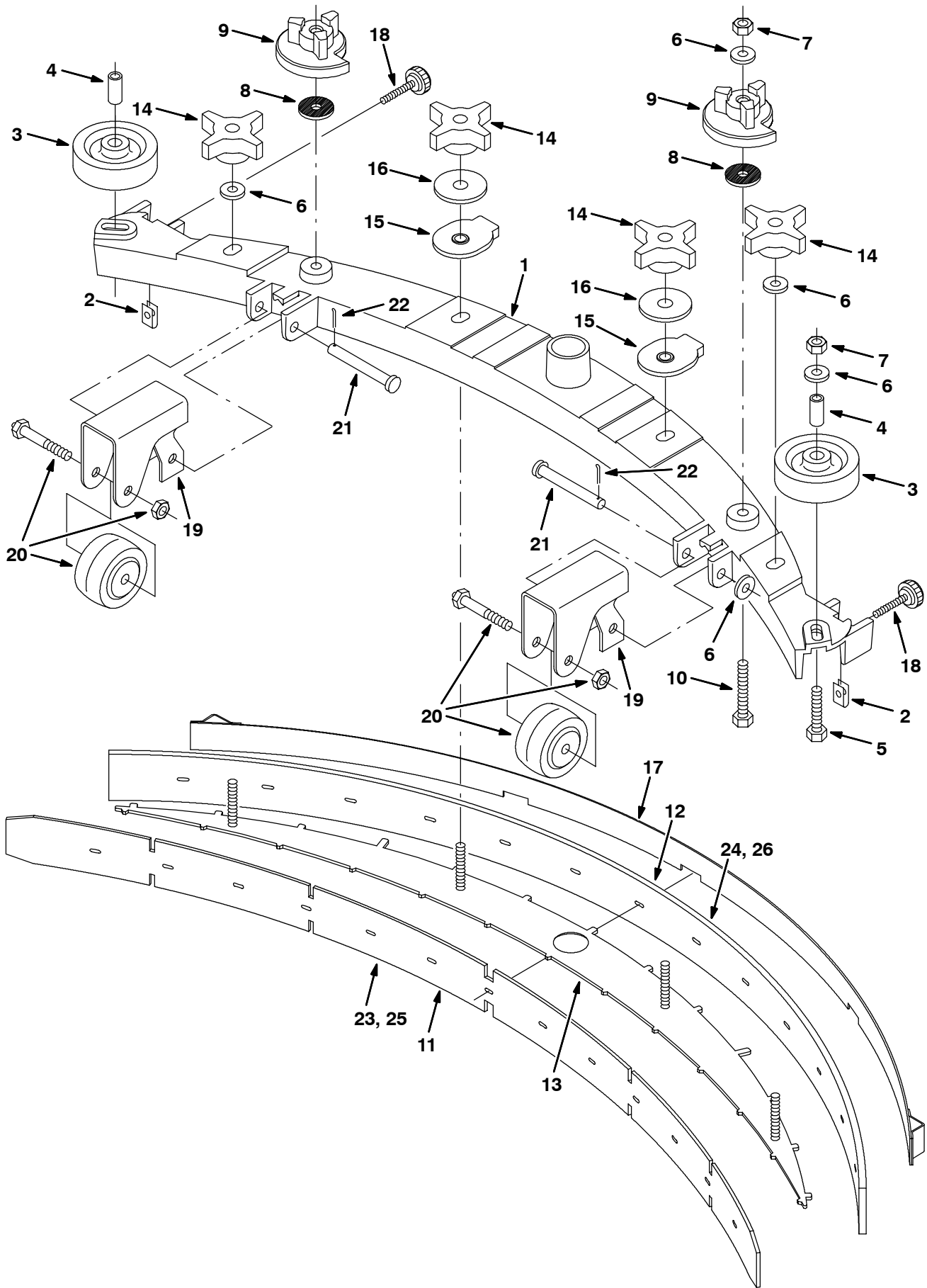
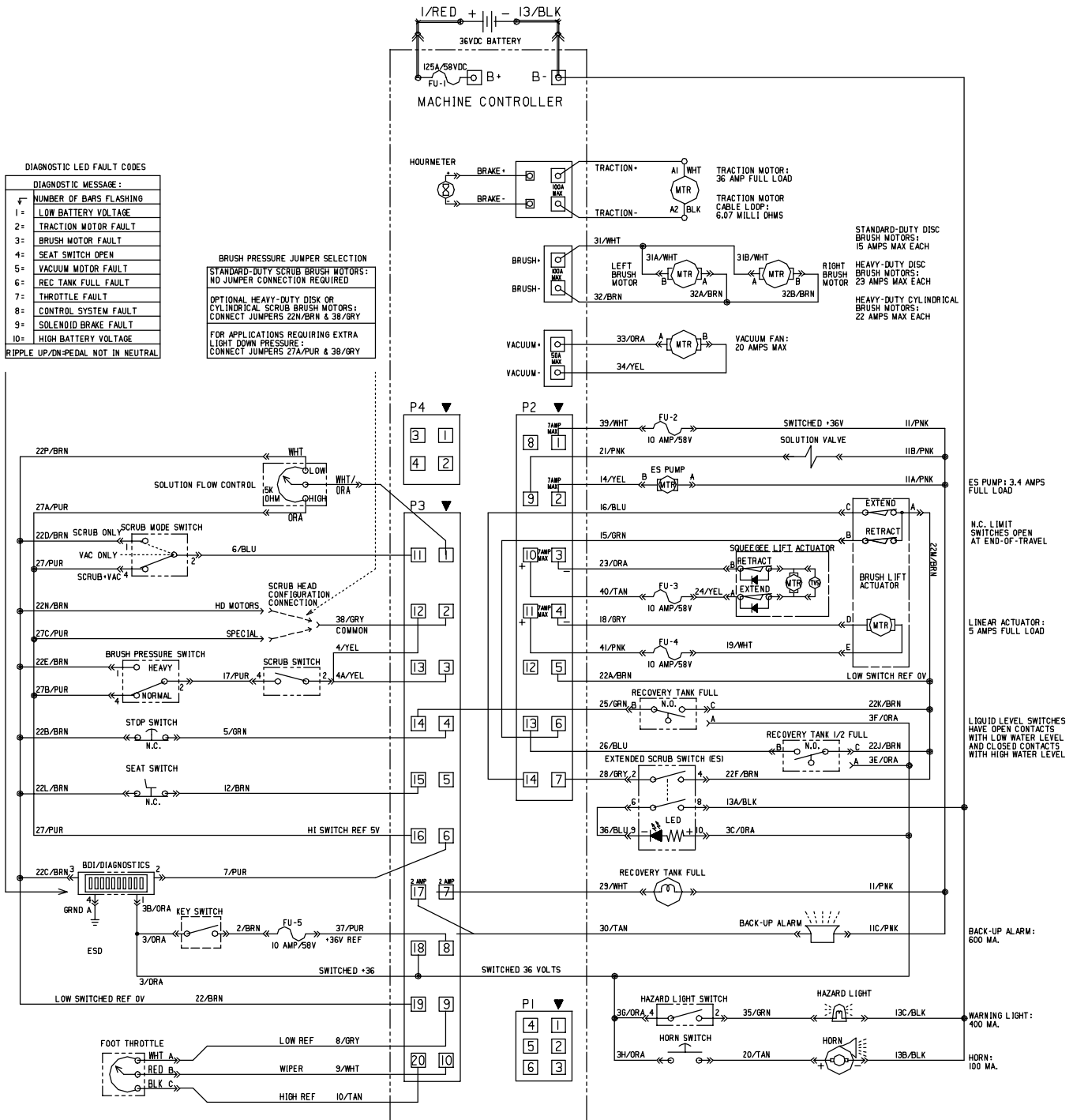


Fig. 23 - Rear Squeegee Group, 700 mm (28 in)

Ref.	Nobles- Part No.	Description	Qty.
▽	392980	Kit, Ci, Sqge Assy, Rear, 700mm[Ez/7080]	1
▲	1 390670	Frame, Casting, Sqge, 700mm	1
▲	2 82138	Nut, Speed, Retainer, .25-20	2
▲	3 81582	Wheel, 3.0d 0.87w 0.44b	2
▲	4 393129	Sleeve, P/M, 0.437d 0.318b 1.15l 430ss	2
▲	5 222505	Screw, Hex, M08 X 1.25 X 45, Ss	2
▲	6 01685	Washer, Flt, .31 Ss	8
▲	7 08713	Nut, Hex, Lock, M08 X 1.25, NI, Ss	4
▲	8 222268	Washer, 0.38b 1.25d .12, Neo	2
▲	9 222244	Cam, Adj, Sqge	2
▲	10 09767	Screw, Hex, M08 X 1.25 X 70, Ss	2
▲▽	391386	Kit, Sqge, Tile, 700mm	1
▲▲	11 390943	Blade, Sqge, Front, 700mm	1
▲▲	12 390936	Blade, Sqge, Rear, Gum Rbr, 700mm	1
▲	13 390940	Plate, Retainer, Blade, 700mm	1
▲	14 370100	Knob, 4-Prong W/.31-18, Insert	4
▲	15 390982	Ring, Mtg, Sqge	2
▲	16 04414	Washer, 0.53b 1.88d .12, Stl, Pl	2
▲	17 390944	Retainer Wldt, Sqge, 700mm	1
▲	18 222794	Knob	2
▲	19 1005469	Bracket, Wheel, Sqge, Rear	2
▲	20 390773	Wheel Assy, Sqge	2
▲	21 23191	Pin, Clevis, 0.37 D X 3.00l	2
▲	22 39005	Pin, Cotter, .094 X 0.75	2
▽	391384	Kit, Sqge, Oil-Rstn, 700mm	1
▲	23 391377	Blade, Sqge, Front, Oil-Rstn, 700mm	1
▲	24 391378	Blade, Sqge, Rear, Oil-Rstn, 700mm	1
▽	392988	Kit, Ci, Sqge, Linatex, 700mm[Ez/7080]	1
▲	25 390943	Blade, Sqge, Front, 700mm	1
▲	26 390942	Blade, Sqge, Rear, 700mm	1

Fig. 24 - Electrical Schematic



353890 - EZ, 7080

Fig. 25 - Wire Harness Group

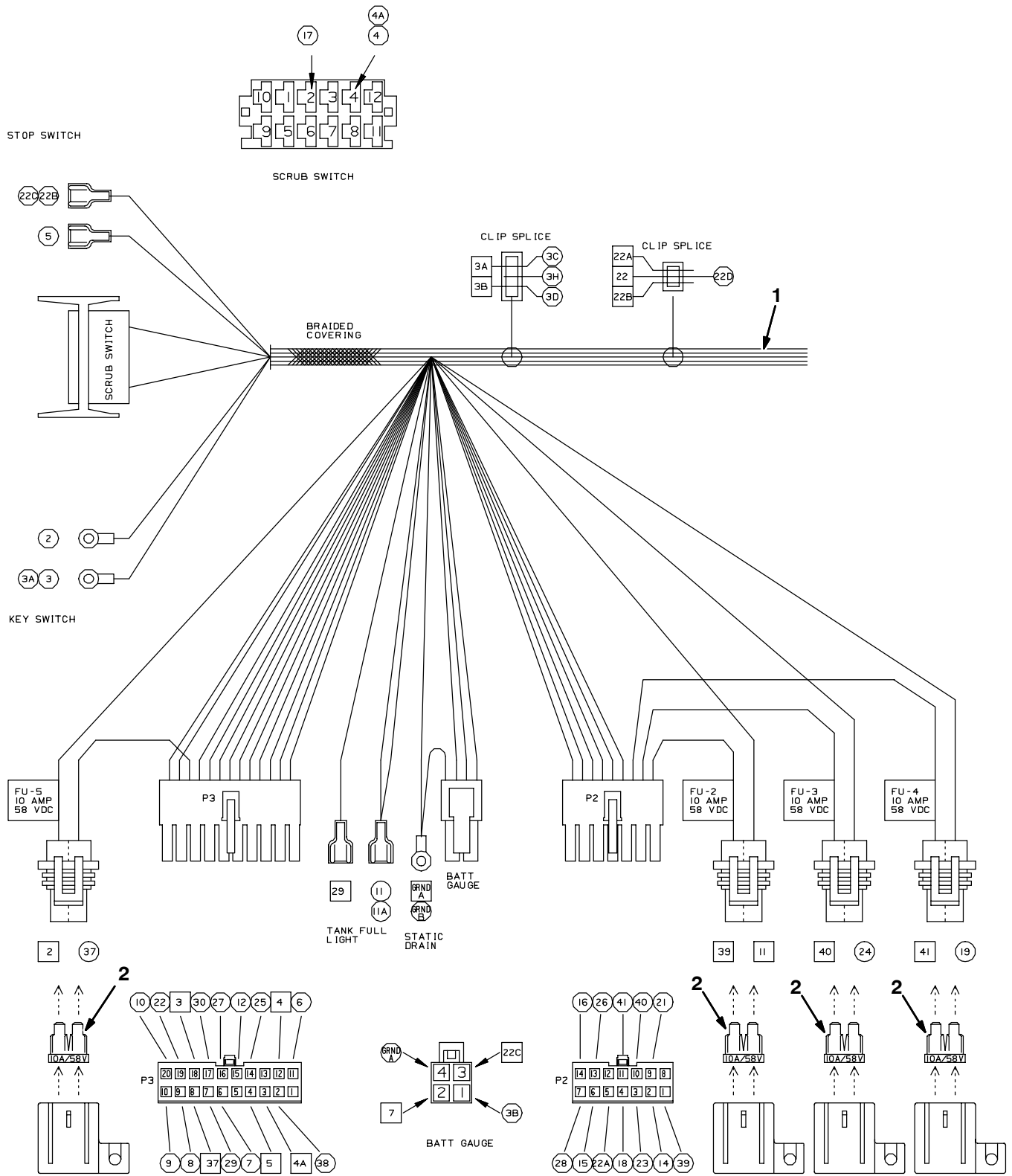


Fig. 25 - Wire Harness Group

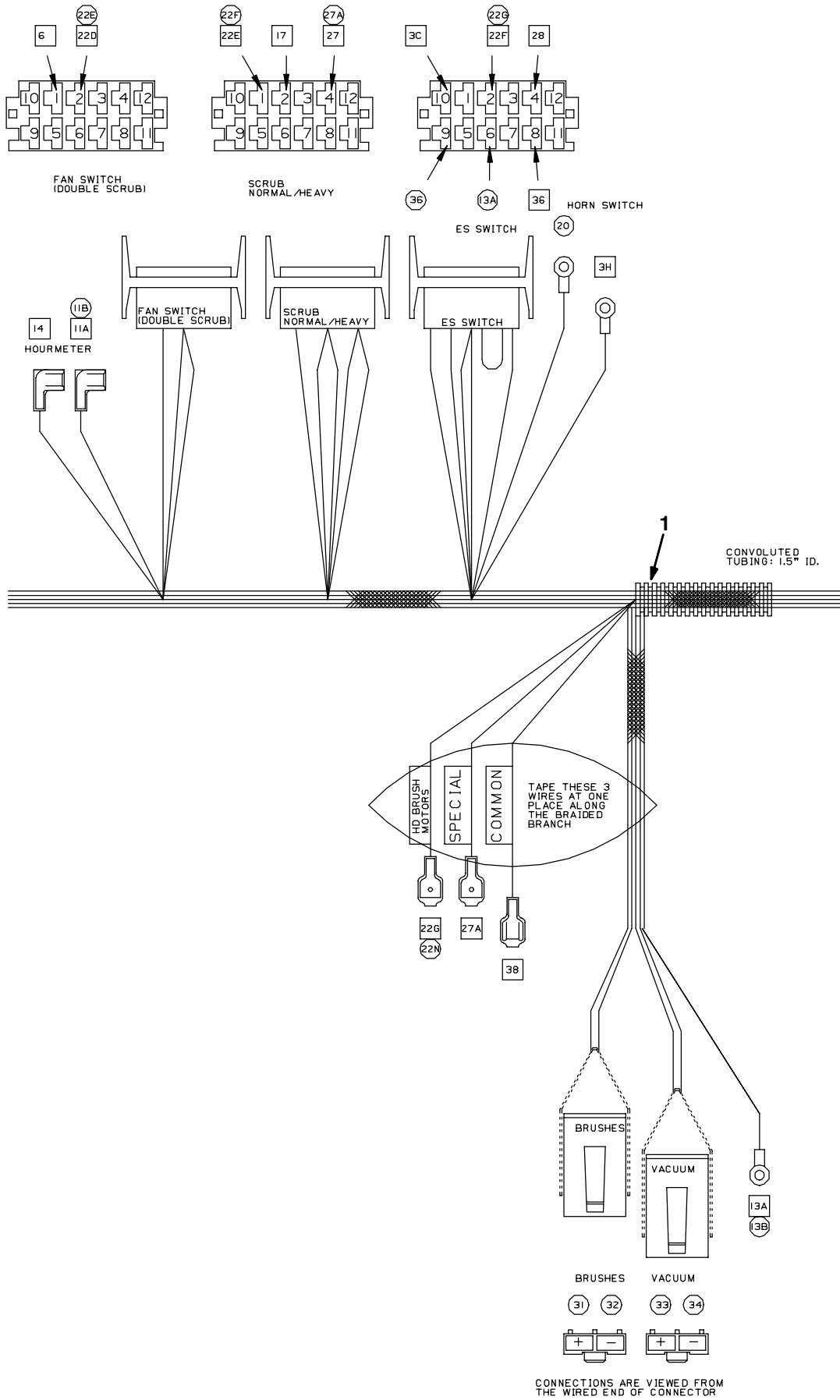
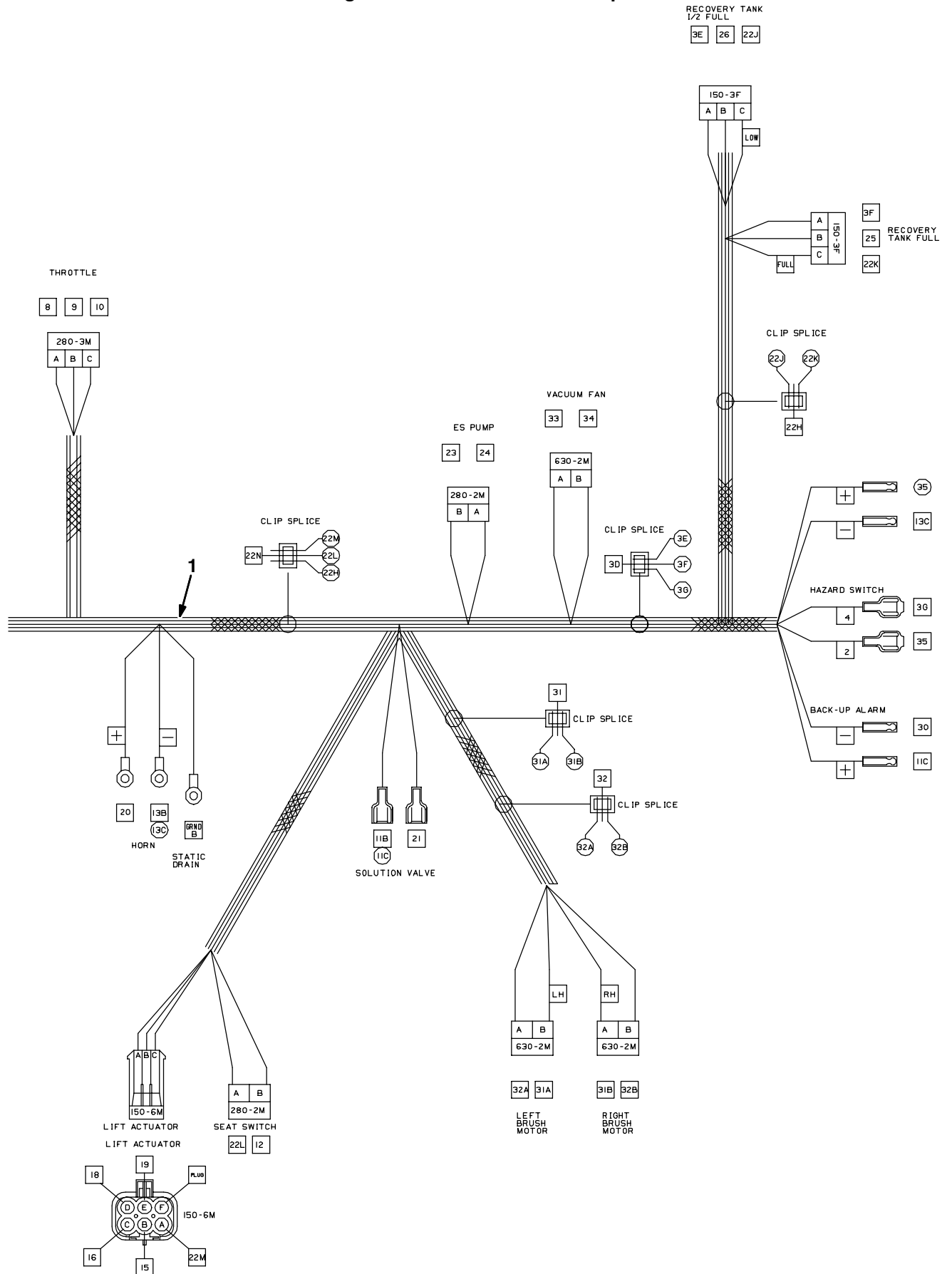
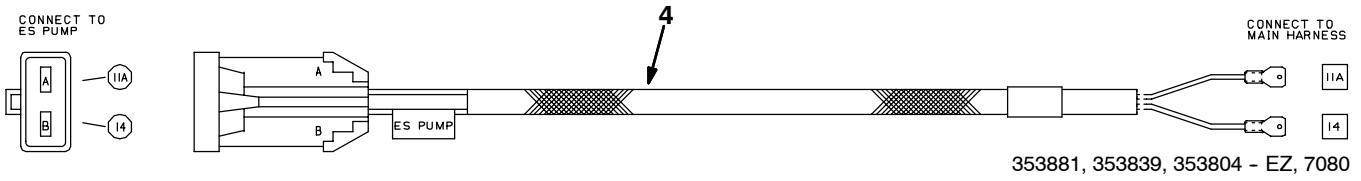
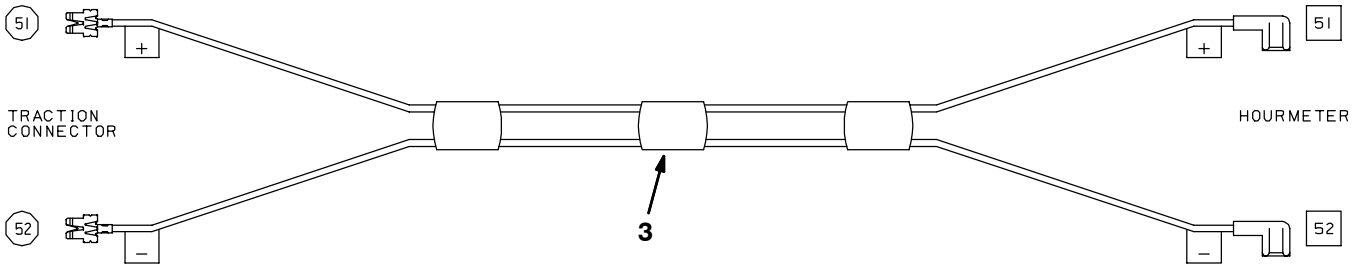


Fig. 25 - Wire Harness Group



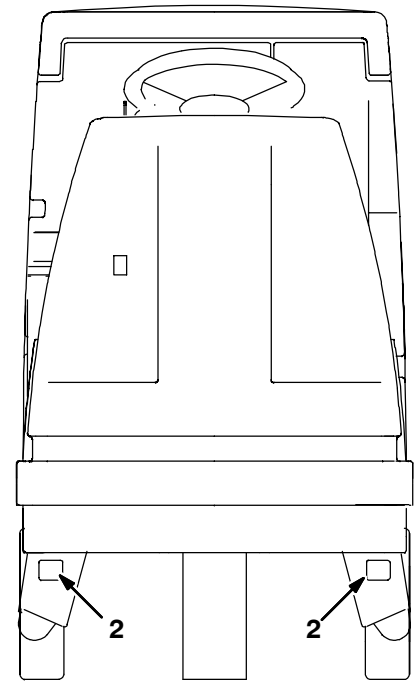
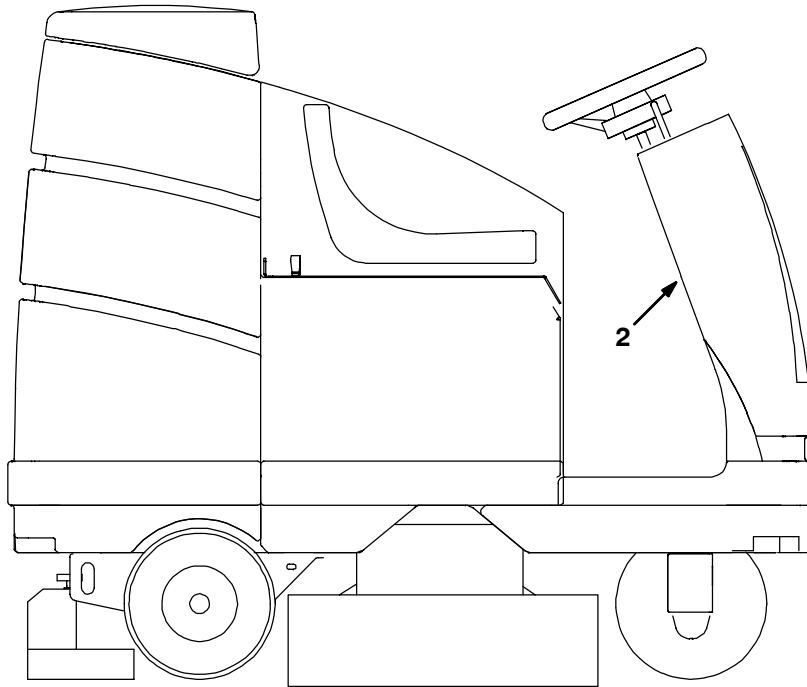
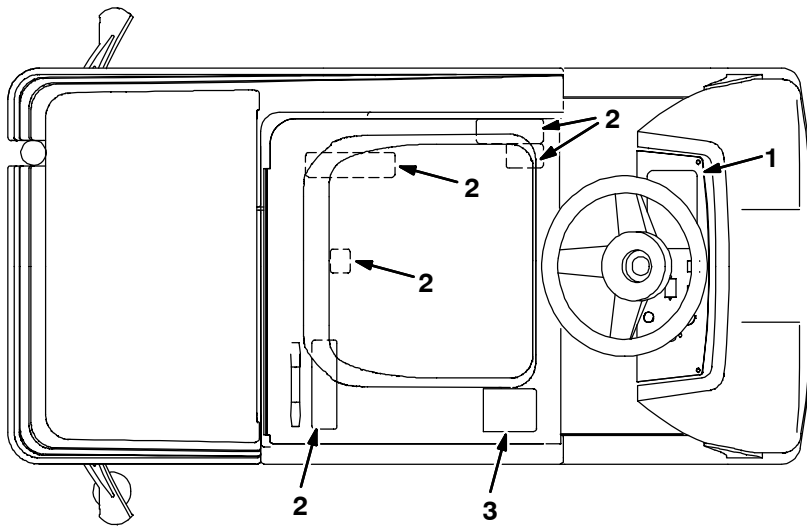
STANDARD PARTS

Fig. 25 - Wire Harnesses Group



Ref.	Nobles-Part No.	Description	Qty.
1	392891	Harness, Wire [Ez Rider Hp]	1
2	393149	Fuse, Blade, 10a, 58vdc	4
3	393160	Harness, Wire, Hourmeter, Jumper	1
4	393159	Harness, Wire, Es Pump	1

Fig. 26 - Label Group



EZ, 7080

Ref.	Nobles-Part No.	Description	Qty.
1	392917	Label, Instmt [Ezrider Hp]	1
2	391297	Label Set, Info/hzrd	1
3	393143	Label, Std Opertnl	1

SECTION 3

Contents	Page
Fig. 1 - Quick Mop™ Kit	3-2
Fig. 2 - ES™ Kit	3-4
Fig. 3 - Heavy Duty Disk Scrub Head Drive Motor Group, 700 mm (28 in)	3-6
Fig. 4 - Heavy Duty Disk Scrub Head Linkage and Squeegee Group, 700 mm (28 in)	3-8
Fig. 5 - Disk Scrub Head Drive Motor Group, 800 mm (32 in)	3-10
Fig. 6 - Disk Scrub Head Linkage and Squeegee Group, 800 mm (32 in) ...	3-12
Fig. 7 - Cylindrical Scrub Head Drive Motor Group, 700 mm (28 in)	3-14
Fig. 8 - Cylindrical Scrub Head Frame Group, 700 mm (28 in)	3-16
Fig. 9 - Cylindrical Scrub Head Squeegee Group, 700 mm (28 in)	3-18
Fig. 10 - Cylindrical Scrub Head Drive Motor Group, 800 mm (32 in)	3-20
Fig. 11 - Cylindrical Scrub Head Frame Group, 800 mm (32 in)	3-22
Fig. 12 - Cylindrical Scrub Head Squeegee Group, 800 mm (32 in)	3-24
Fig. 13 - Rear Squeegee Group, 800 mm (32 in)	3-26
Fig. 14 - Revolving Light Kit	3-28
Fig. 15 - Flashing Light Kit	3-30
Fig. 16 - Backup Alarm Kit	3-32
Fig. 17 - Backup Alarm Kit W/O Bracket	3-34
Fig. 18 - Battery Kit, Wet, 244AH	3-36
Fig. 19 - Battery Kit, Dry, 244AH, International Only	3-37
Fig. 20 - Battery Charger Group	3-38
Fig. 21 - Solid Non-Marking Tire Assembly, Rear	3-39
Fig. 22 - Corner Wheels Kit	3-40
Fig. 23 - Documentation Group	3-41

Fig. 1 - Quick Mop™ Kit

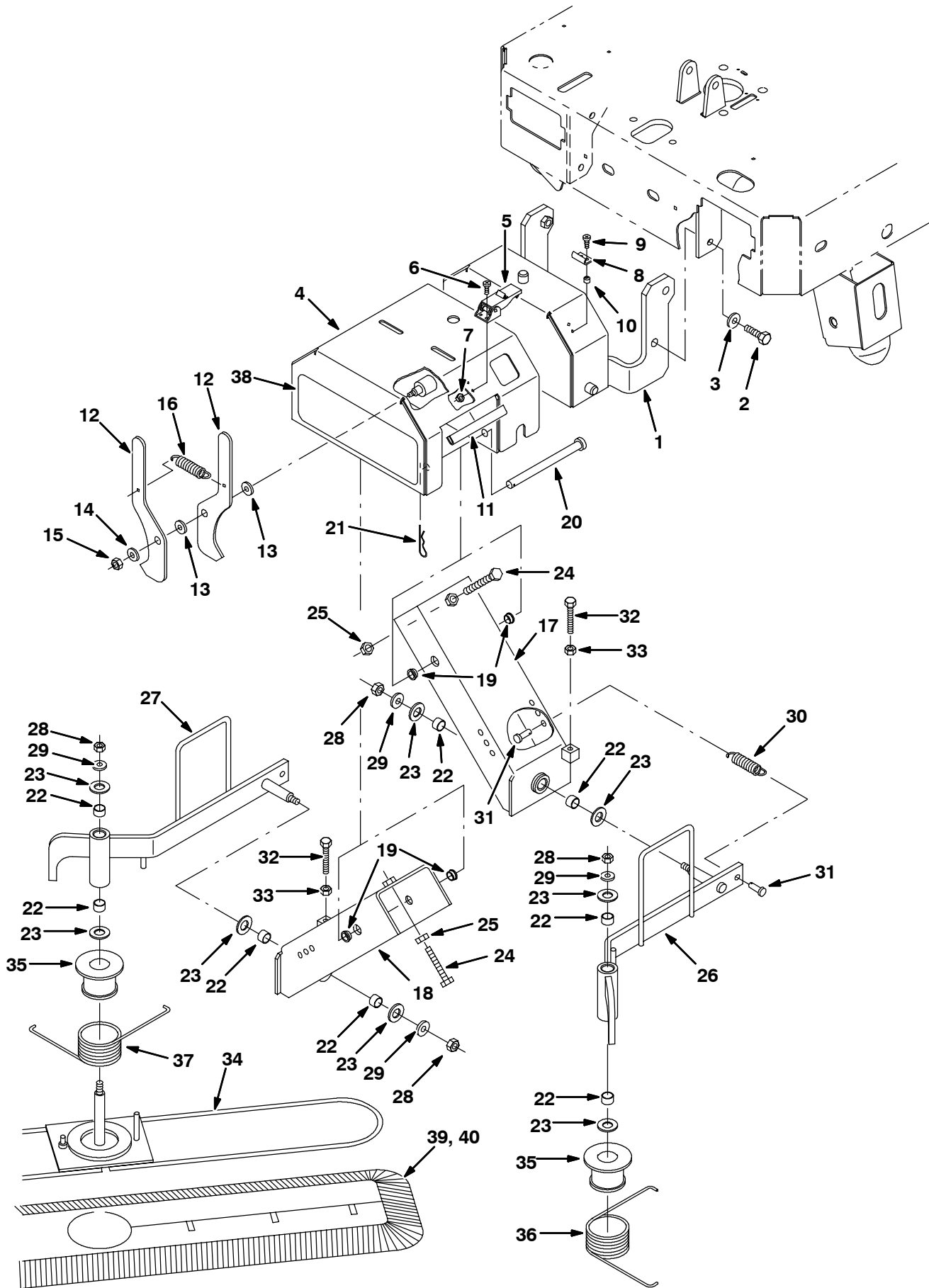


Fig. 1 - Quick Mop™ Kit

	Ref.	Nobles- Part No.	Description	Qty.
▽		391051	Kit, Ci, V-Mop	1
▲	1	391257	Bumper Wldt, V-Mop	1
▲	2	77347	Screw, Hex, M10 X 1.5 X 35, Ss	4
▲	3	01686	Washer, Flt, .38 Ss	4
▲	4	384287	Housing Wldt, Quick-Mop	1
▲	5	384418	Latch, Door	2
▲	6	49697	Screw, Pan, M04 X 0.7 X 10, Ss	4
▲	7	02850	Nut, Hex, Lock, M04 X 0.7, NI	4
▲	8	384419	Bracket, Keeper	2
▲	9	12323	Screw, Pan, M04 X 0.7 X 20, Ss	4
▲	10	65441	Spacer	4
▲	11	391287	Molding, Trim, Pvc, .08-.11 04.75l	2
▲	12	81542	Plate, Latch	2
▲	13	86860	Bearing, Thrust	2
▲	14	32491	Washer, Flt, .31 Std	1
▲	15	08709	Nut, Hex, Lock, M08 X 1.25, NI	1
▲	16	87816	Spring, Extn, 0.75od X 0.09wir, 2.5l	1
▲	17	81541	Channel Wldt, Lift, Lh	1
▲	18	81540	Channel Wldt, Lift, Rh	1
▲	19	15648	Bushing, Flng, 0.50b 0.59d 0.38l	4
▲	20	51225-1	Pin, Clevis, 0.50 D X 6.00l	2
▲	21	02942	Pin, Hair Cotter, 0.62 D .120 Wir	2
▲	22	07449	Bushing, Sleeve, 0.62b 0.72d 0.50l, Fgl	8
▲	23	64425	Washer, Thrust, 0.61b 1.25d .06, Fgl	8
▲	24	76438	Screw, Hex, M10 X 1.5 X 90, FI	2
▲	25	39312	Nut, Hex, Std, M10 X 1.5	2
▲	26	81539	Arm Wldt, Lift, Mop, Lh	1
▲	27	81538	Arm Wldt, Lift, Mop, Rh	1
▲	28	41430	Nut, Hex, Lock, M10 X 1.5, NI	4
▲	29	32492	Washer, Flt, .38 Std	4
▲	30	15047	Spring, Extn, 0.62od X 0.08wir, 3.0l	2
▲	31	39019	Pin, Clevis, 0.37 D X 0.75l	4
▲	32	363976	Screw, Hex, M08 X 1.25 X 60, FI	2
▲	33	39311	Nut, Hex, Std, M08 X 1.25	2
▲	34	81537	Frame Wldt, Mop, V	2
▲	35	83332	Spacer, Spring	2
▲	36	80317	Spring, Tors, 2.36id .18wir 07.5coil	1
▲	37	80318	Spring, Tors, 2.36id .18wir 07.5coil	1
▲	38	384265	Label, [Quick Mop]	1
▲	39	83347	Mop, Dust	2
	40	83348	Mop, Dust, Industrial	1

Fig. 2 - ES™ Kit

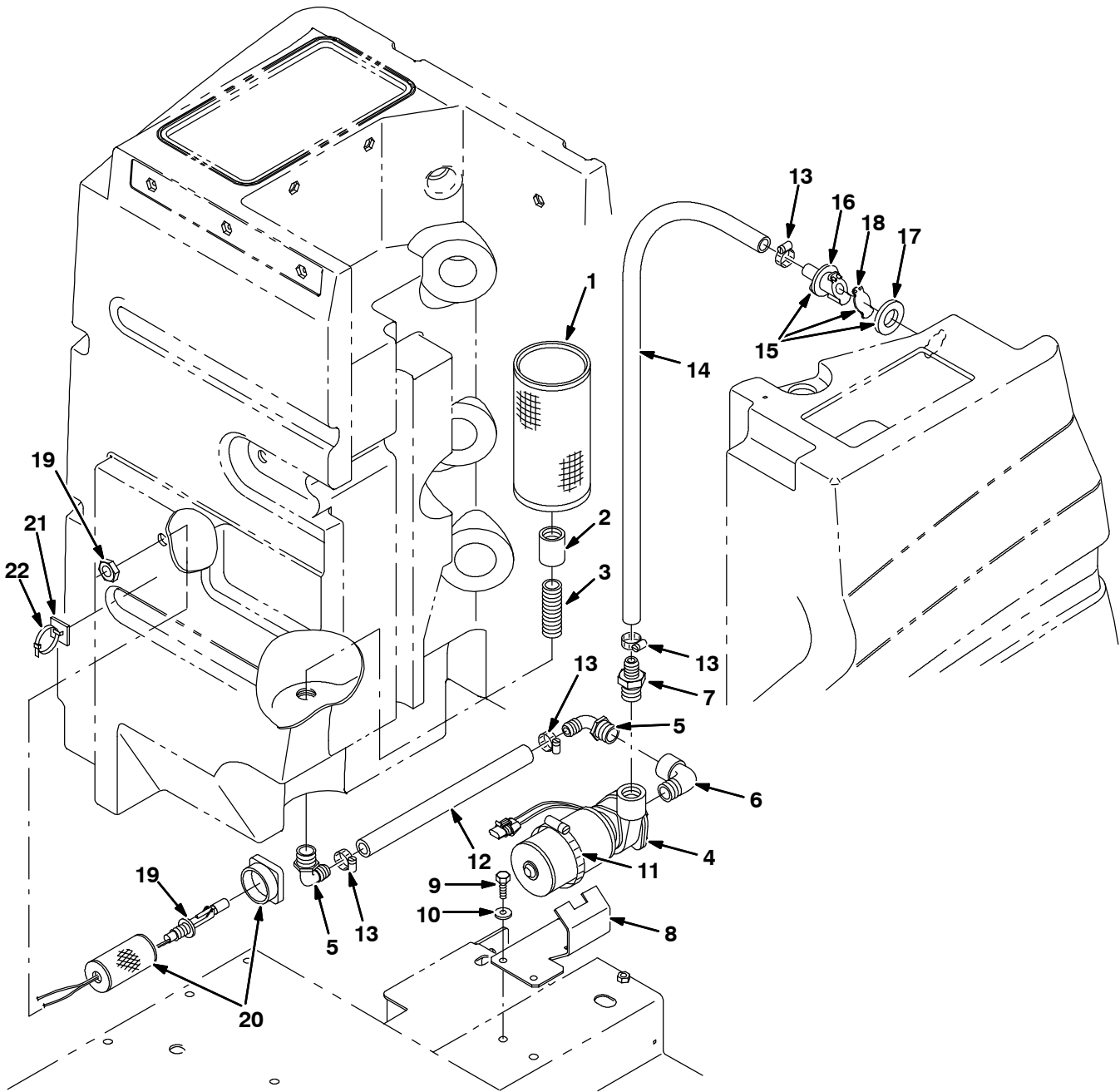


Fig. 2 - ES™ Kit

	Ref.	Nobles- Part No.	Description	Qty.
▽		392946	Kit, Di, Es [Ezrider Hp/7080]	1
▲	1	10573	Strainer, Soltn, 20mesh Cyl 4.0d 8.0l	1
▲	2	05134	Fitting, Plstc, Str, Pf12/Pf12	1
▲	3	385665	Fitting, Plstc, Str, Pm12/Pm12 03.0l	1
▲	4	369865	Pump, Solution, Impeller, 36vdc	1
▲	5	73468	Fitting, Plstc, E90, Bm10/Pm12	2
▲	6	69785	Fitting, Plstc, E90, Pm12/Pf12	1
▲	7	365095	Fitting, Plstc, Str, Bm10/Pm12	1
▲	8	391115	Bracket, Pump, Es	1
▲	9	49826	Screw, Hex, M08 X 1.25 X 16, Ss, NI	2
▲	10	01685	Washer, Flat, .31 Ss	2
▲	11	17188	Clamp, Hose, Wormdrive, 1.62-3.50d	1
▲	12	393100	Hose, Pvc, Brd 0.62id 0.88od 06.50l	1
▲	13	63810	Clamp, Hose, Wormdrive, 0.56-1.06d	4
▲	14	393102	Hose, Pvc, Brd 0.62ld 0.88Od 30.00L	1
▲▽	15	78842	Kit, Valve, Check	1
▲▲	16	78840	Valve, Check	1
▲▲	17	73342	Gasket, Check, Valve	1
▲▲	18	78841	Flapper, Valve	1
▲	19	222822	Sensor, Level, Liquid [Magnetic]	1
▲	20	375302	Strainer, Soltn, Switch Guard	1
▲	21	55248	Mount, Cable Tie	1
▲	22	49266	Tie, Cable, Nyl, 07.3L .19W 1.8 Max D	1

OPTIONS

Fig. 3 - Heavy Duty Disk Scrub Head Drive Motor Group, 700 mm (28 in)

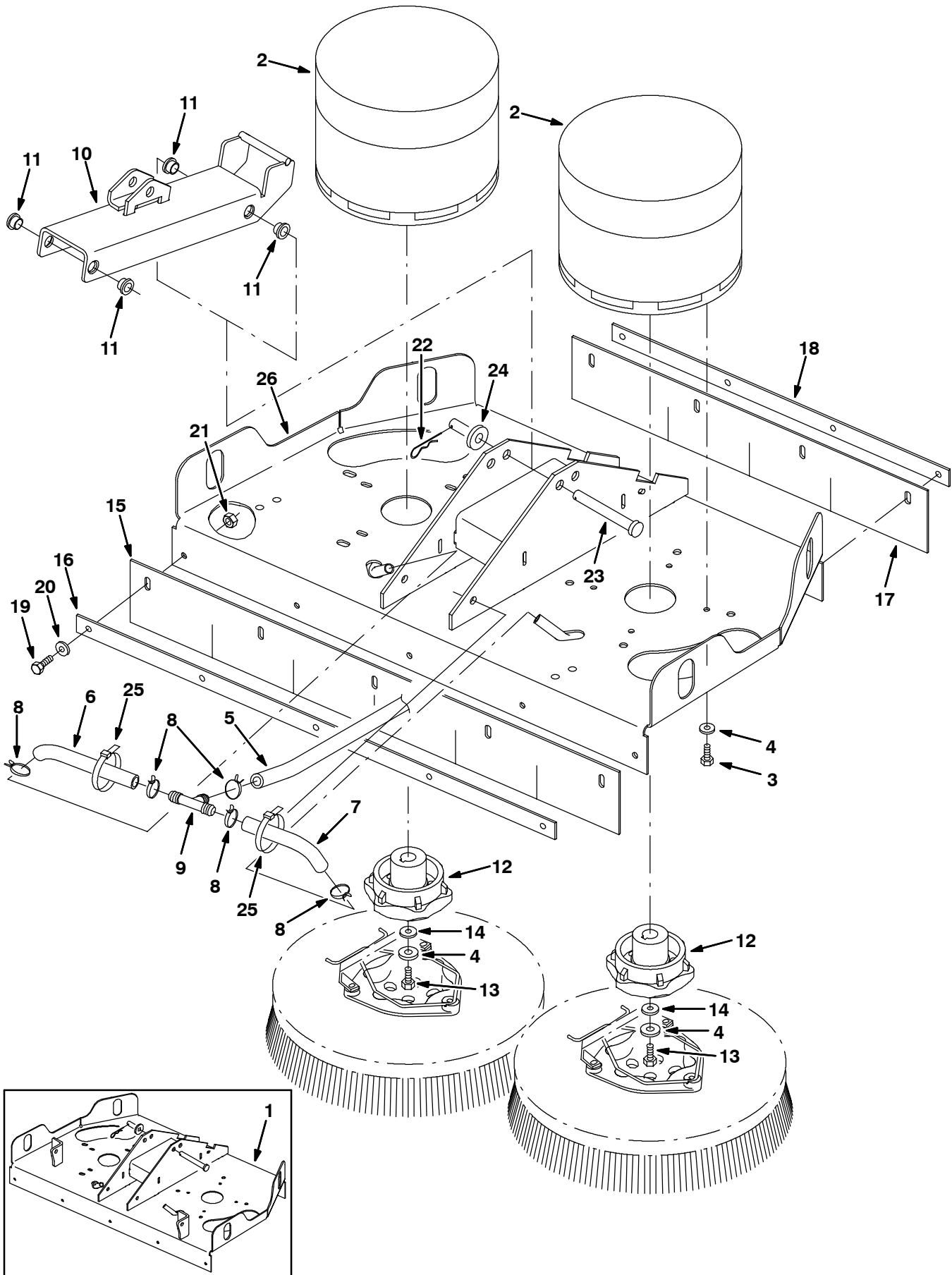


Fig. 3 - Heavy Duty Disk Scrub Head Drive Motor Group, 700 mm (28 in)

NOTE: Disk Scrub Head Kit, Nobles Part Number 392975, includes Fig. 3, and Fig. 4.

Ref.	Nobles- Part No.	Description	Qty.
1	393164	Ⓛ Kit, Ci, Scrubhead, 700mm	1
2	223358	Motor, Ele, 36vdc, 0.80hp, 0320rpm (See Breakdowns)	2
3	02994	Screw, Hex, .38-16 X 0.75, Ss	8
4	01686	Washer, Flat, .38 Ss	10
5	393124	Hose, Pvc, Clr, 0.50id 0.70od 26.0l	1
6	393122	Hose, Pvc, Clr, 0.50id 0.70od 07.0l	1
7	393121	Hose, Pvc, Clr, 0.50id 0.70od 05.0l	1
8	54333	Clamp, Hose, Wormdrive, 0.31-0.88d	5
9	63245-1	Fitting, Plstc, Tee, Bm08/Bm08/Bm08	1
10	392904	Channel Wldt, Tool, Lift, Disk [Ezrider]	1
11	15648	Bushing, Flng, 0.50b 0.59d 0.38l	4
12	397715	Hub, Drive, Brush	2
13	02991	Screw, Hex, .31-18 X 0.75, Ss	2
14	41186	Washer, Belleville, .31	2
15	390633	Skirt, Front, Scb, Disk, 28 Inch	1
16	390635	Strip, Retainer, Skirt, Front, 28 Inch	1
17	390634	Skirt, Rear, Scb, Disk, 28 Inch	1
18	390636	Strip, Retainer, Skirt, Rear, 28 Inch	1
19	08716	Screw, Hex, M06 X 1.0 X 20, Ss	9
20	01684	Washer, Flat, .25 Ss	9
21	08712	Nut, Hex, Lock, M06 X 1.0, NI, Ss	9
22	44906	Pin, Hair Cotter, 0.69 D .092 Wir	1
23	222196	Pin, Clevis, 0.50 D X 4.00l	1
24	32486	Washer, Flt, .50 Sae	1
25	44961	Tie, Cable, Nyl, 14.5L .30W 4.0 Max D	2
26	1006122	Ⓜ Head Wldt, Scb, Disk, 700mm	1

Ⓛ Serial number (0000000-xxxxxxx)

Ⓜ Serial number (xxxxxxx-)

Fig. 4 - Heavy Duty Disk Scrub Head Linkage and Squeegee Group, 700 mm (28 in)

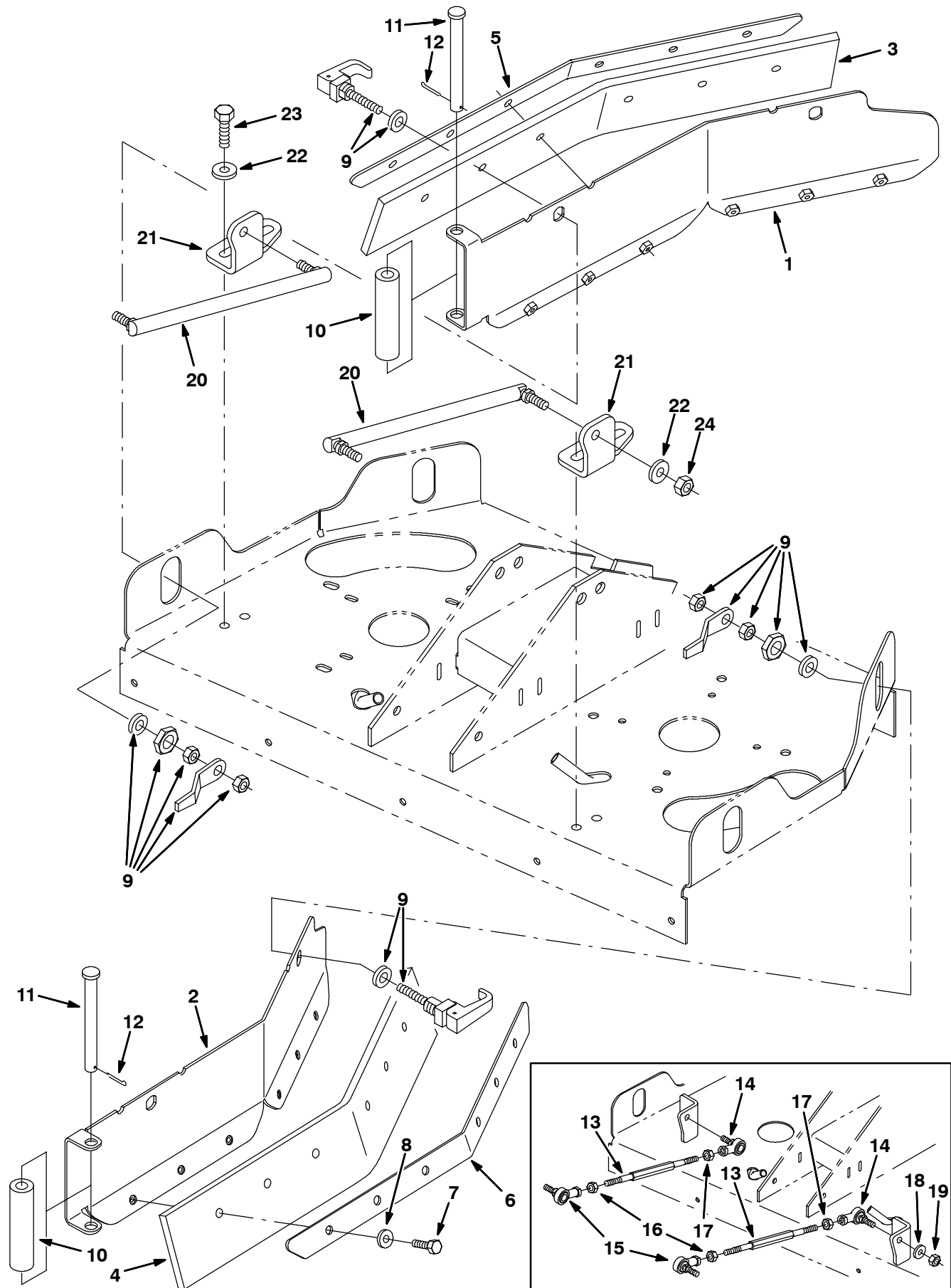


Fig. 4 - Heavy Duty Disk Scrub Head Linkage and Squeegee Group, 700 mm (28 in)

NOTE: Disk Scrub Head Kit, Nobles Part Number 392975, includes Fig. 3, and Fig. 4.

Ref.	Nobles- Part No.	Description	Qty.
1	1001268	Angle, Rh	1
2	392841	Angle, Lh	1
3	1001290	Blade, Sqge, Rh	1
4	392842	Blade, Sqge, Lh	1
5	392823	Retainer, Rh	1
6	392840	Retainer, Lh	1
7	09007	Screw, Hex, M06 X 1.0 X 25, Ss	12
8	01684	Washer, Flat, .25 Ss	12
9	65695	Latch	4
10	222055	Roller, Linkage, Head	2
11	222197	Pin, Clevis, 0.50 D X 4.75l	2
12	08175	Pin, Cotter, .125 X 1.25	2
13	390666	① Rod, Thrd, 2 End, .38-24 09.0l Lh/Rh	2
14	86780	① Rod-End, .38-24lh Fem 0.38-24stud	2
15	86781	① Rod-End, .38-24rh Fem 0.38-24stud	2
16	20171	① Nut, Hex, Jam, .38-24	2
17	82889	① Nut, Hex, Jam, .38-24, Lh	2
18	01686	① Washer, Flat, .38 Ss	2
19	50269	① Nut, Hex, Lock, .38-24, NI, Ss	2
20	392882	② Link, Balljoint, M10 X 1.5, 11.0l	2
21	1006123	② Bracket, Link, Head, Disk	2
22	01686	② Washer, Flat, .38 Ss	6
23	10959	② Screw, Hex, M10 X 1.5 X 20, Ss, NI	4
24	08714	② Nut, Hex, Lock, M10 X 1.5, NI, Ss	2

① Serial number (0000000-xxxxxxx)

② Serial number (xxxxxxx-)

Fig. 5 - Disk Scrub Head Drive Motor Group, 800 mm (32 in)

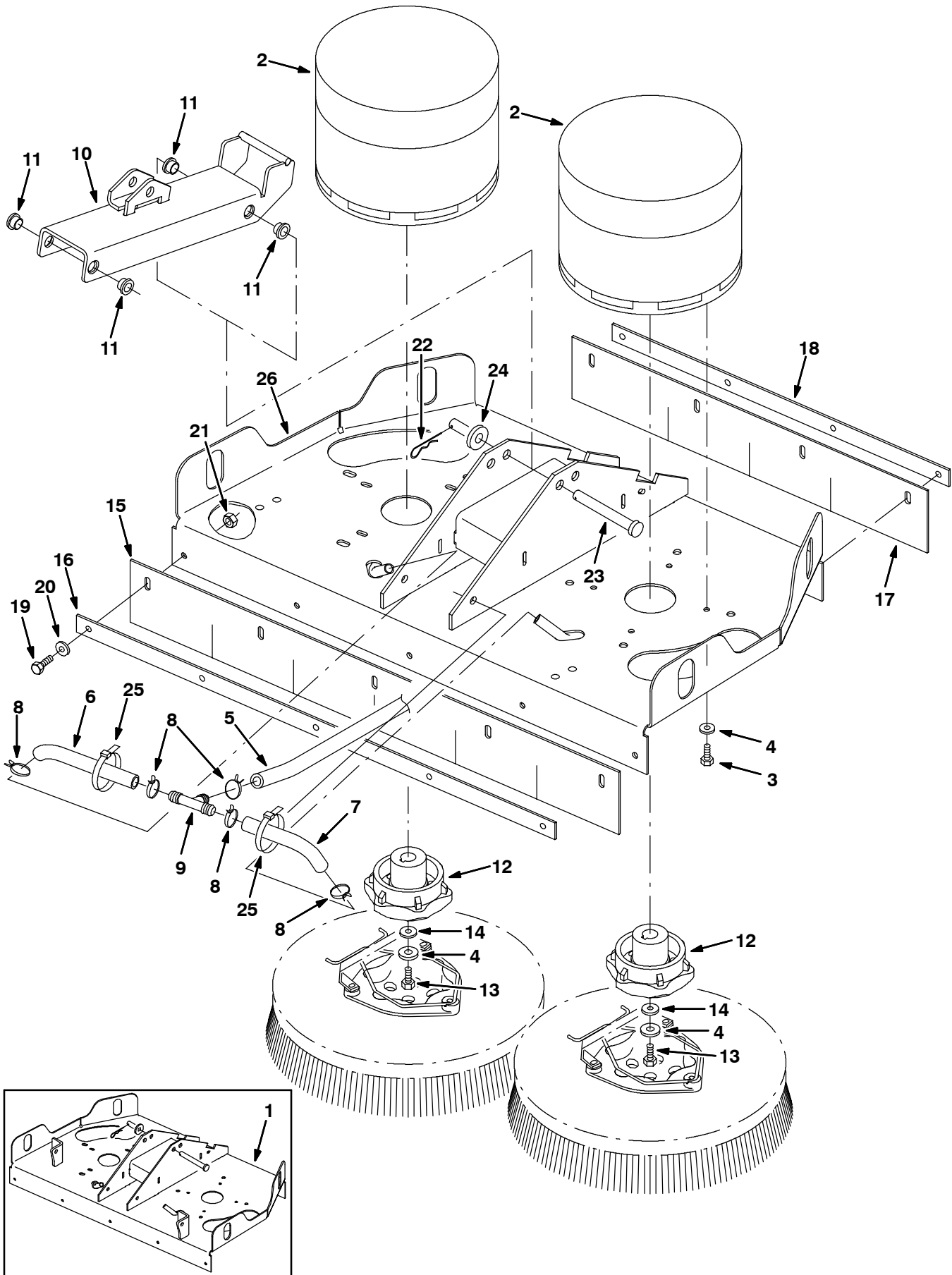


Fig. 5 - Disk Scrub Head Drive Motor Group, 800 mm (32 in)

NOTE: Disk Scrub Head Kit, Nobles Part Number 392995, includes Fig. 5, and Fig. 6.

Ref.	Nobles- Part No.	Description	Qty.
1	393165	Ⓛ Kit, Ci, Scrubhead, 800mm	1
2	223358	Motor, Ele, 36vdc, 0.80hp, 0320rpm (See Breakdowns)	2
3	02994	Screw, Hex, .38-16 X 0.75, Ss	8
4	01686	Washer, Flat, .38 Ss	10
5	393124	Hose, Pvc, Clr, 0.50id 0.70od 26.0l	1
6	393122	Hose, Pvc, Clr, 0.50id 0.70od 07.0l	1
7	393121	Hose, Pvc, Clr, 0.50id 0.70od 05.0l	1
8	54333	Clamp, Hose, Wormdrive, 0.31-0.88d	5
9	63245-1	Fitting, Plstc, Tee, Bm08/Bm08/Bm08	1
10	392904	Channel Wldt, Tool, Lift, Disk [Ezrider]	1
11	15648	Bushing, Flng, 0.50b 0.59d 0.38l	4
12	397715	Hub, Drive, Brush	2
13	02991	Screw, Hex, .31-18 X 0.75, Ss	2
14	41186	Washer, Belleville, .31	2
15	390650	Skirt, Front, Scb, Disk, 32 Inch	1
16	390652	Strip, Retainer, Skirt, Front, 32 Inch	1
17	390651	Skirt, Rear, Scb, Disk, 32 Inch	1
18	390653	Strip, Retainer, Skirt, Rear, 32 Inch	1
19	08716	Screw, Hex, M06 X 1.0 X 20, Ss	9
20	01684	Washer, Flat, .25 Ss	9
21	08712	Nut, Hex, Lock, M06 X 1.0, NI, Ss	9
22	44906	Pin, Hair Cotter, 0.69 D .092 Wir	1
23	222196	Pin, Clevis, 0.50 D X 4.00l	1
24	32486	Washer, Flt, .50 Sae	1
25	44961	Tie, Cable, Nyl, 14.5L .30W 4.0 Max D	2
26	1006539	Ⓜ Head Wldt, Scb, Disk, 800mm	1

Ⓛ Serial number (0000000-xxxxxxx)

Ⓜ Serial number (xxxxxxx-)

Fig. 6 - Disk Scrub Head Linkage and Squeegee Group, 800 mm (32 in)

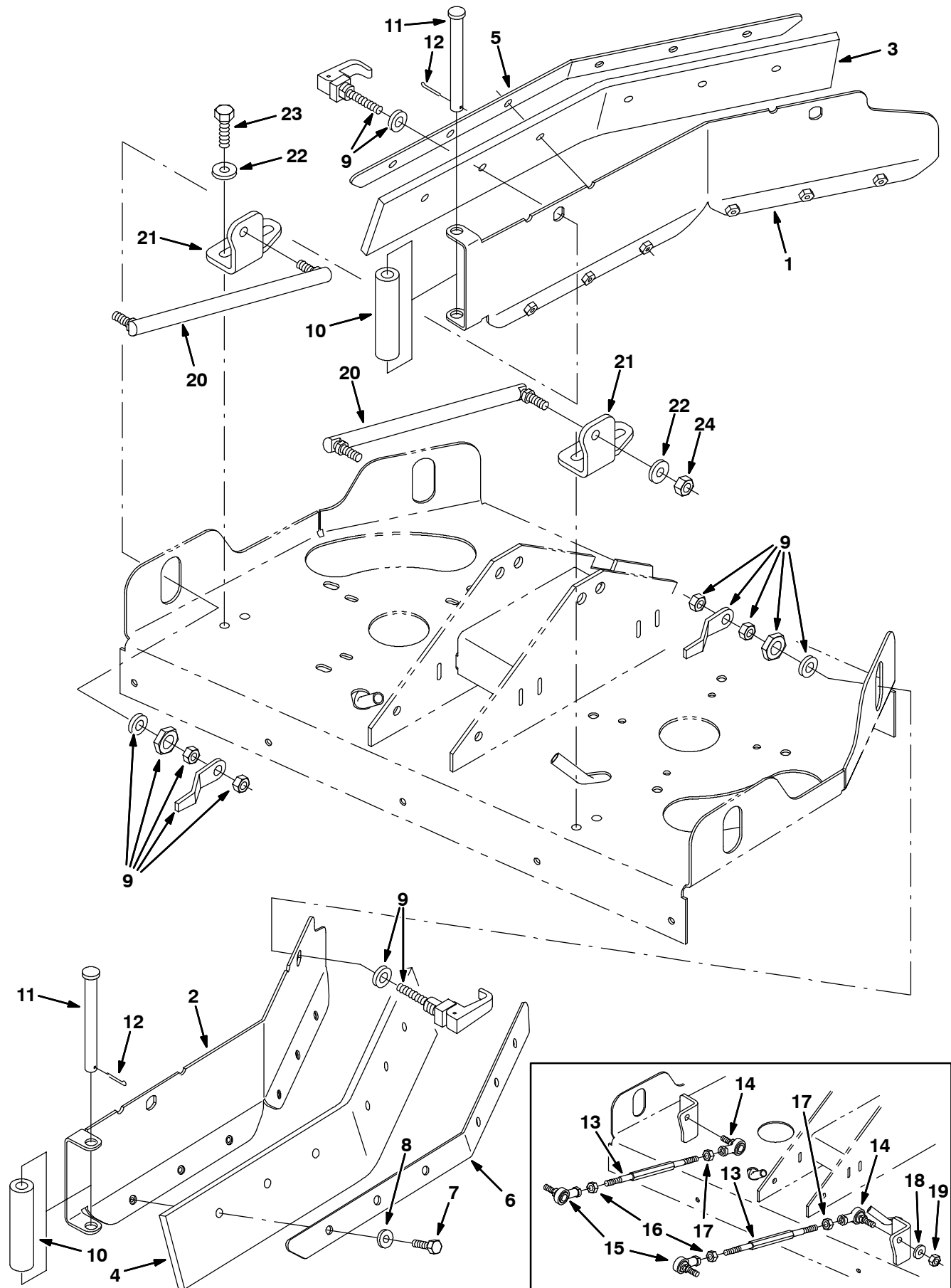


Fig. 6 - Disk Scrub Head Linkage and Squeegee Group, 800 mm (32 in)

NOTE: Disk Scrub Head Kit, Nobles Part Number 392995, includes Fig. 5, and Fig. 6.

Ref.	Nobles- Part No.	Description	Qty.
1	1001268	Angle, Rh	1
2	392841	Angle, Lh	1
3	1001290	Blade, Sqge, Rh	1
4	392842	Blade, Sqge, Lh	1
5	392823	Retainer, Rh	1
6	392840	Retainer, Lh	1
7	09007	Screw, Hex, M06 X 1.0 X 25, Ss	12
8	01684	Washer, Flat, .25 Ss	12
9	65695	Latch	4
10	222055	Roller, Linkage, Head	2
11	222197	Pin, Clevis, 0.50 D X 4.75l	2
12	08175	Pin, Cotter, .125 X 1.25	2
13	390666	① Rod, Thrd, 2 End, .38-24 09.0l Lh/Rh	2
14	86780	① Rod-End, .38-24lh Fem 0.38-24stud	2
15	86781	① Rod-End, .38-24rh Fem 0.38-24stud	2
16	20171	① Nut, Hex, Jam, .38-24	2
17	82889	① Nut, Hex, Jam, .38-24, Lh	2
18	01686	① Washer, Flat, .38 Ss	2
19	50269	① Nut, Hex, Lock, .38-24, NI, Ss	2
20	392882	② Link, Balljoint, M10 X 1.5, 11.0l	2
21	1006123	② Bracket, Link, Head, Disk	2
22	01686	② Washer, Flat, .38 Ss	6
23	10959	② Screw, Hex, M10 X 1.5 X 20, Ss, NI	4
24	08714	② Nut, Hex, Lock, M10 X 1.5, NI, Ss	2

① Serial number (0000000-xxxxxxx)

② Serial number (xxxxxxx-)

OPTIONS

Fig. 7 - Cylindrical Scrub Head Drive Motor Group, 700 mm (28 in)

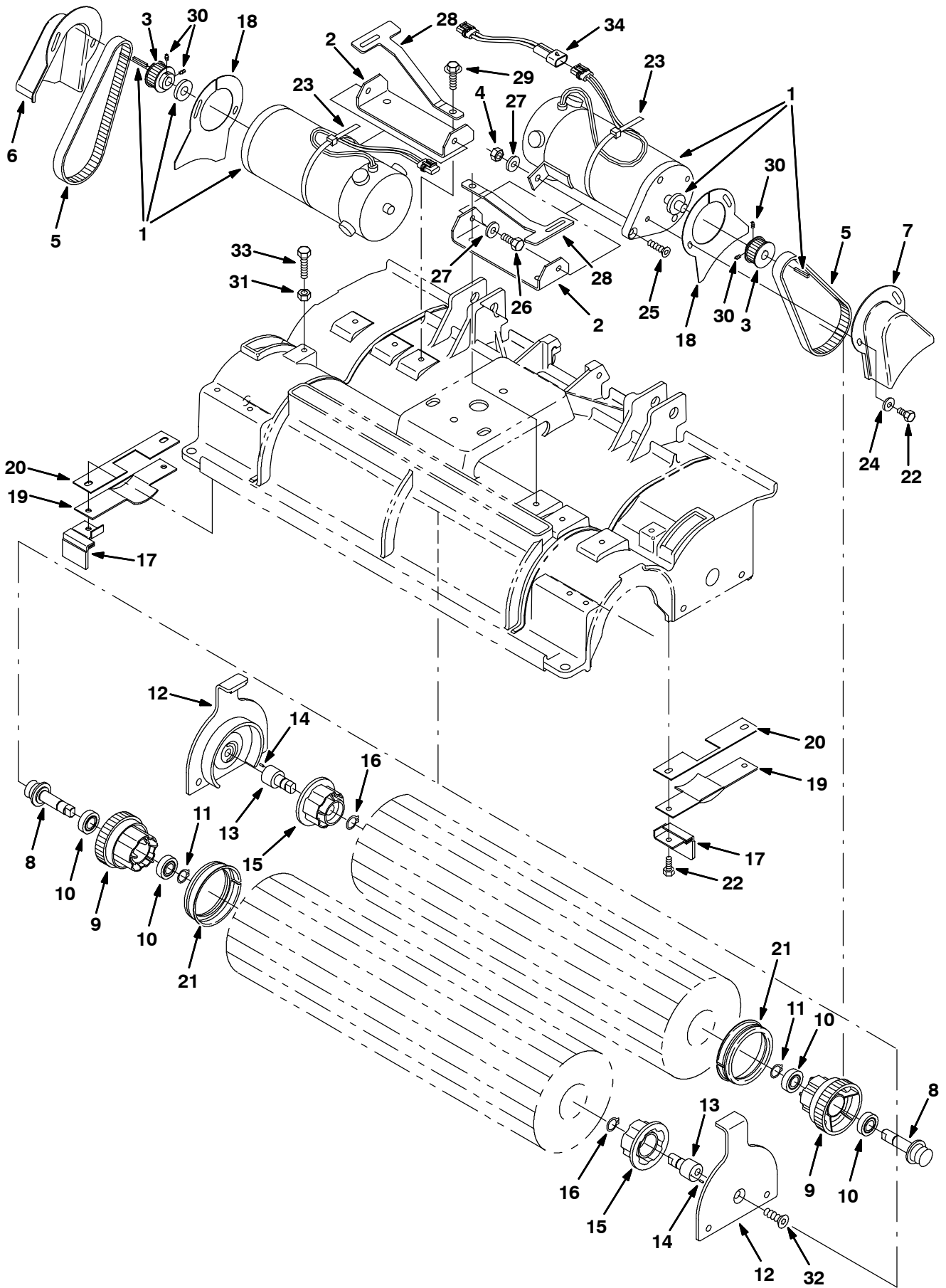


Fig. 7 - Cylindrical Scrub Head Drive Motor Group, 700 mm (28 in)

NOTE: Cylindrical Scrub Head Kit, Nobles Part Number 392992, includes Fig. 7, Fig. 8, and Fig. 9.

Ref.	Nobles- Part No.	Description	Qty.
1	374175	Motor Assy, Ele, 36Vdc, 0.75Hp (See Breakdowns)	2
2	223564	Bracket, Mtg, Motor	2
3	375195	Sprocket, Timing, 22tooth, 0.50b, [Gt/2]	2
4	08713	Nut, Hex, Lock, M08 X 1.25,NI, Ss	4
5	222201	Belt, Synchronous, 15mm 05p 500l [Gt2 K]	2
6	223560	Guard, Belt, Rh	1
7	223561	Guard, Belt, Lh	1
▽	222751	Plug Assy, Drive, Brush	2
▲	8 222176	Shaft, Drive Plug	1
▲	9 377333	Plug, Drive, Brush	1
▲	10 41360	Bearing, Ball, 0.59b 1.26d 0.35w	2
▲	11 01516	Ring, Retaining, Ext, 0.59d, Basic	1
	12 369460	Door, Brush	2
▽	222752	Plug Assy, Idler, Brush	2
▲	13 222177	Shaft, Idler Plug	1
▲	14 222184	Pin, Roll, .090 D 0.25l, .094/.097	1
▲	15 379202	Plug, Idler, Brush	1
▲	16 01516	Ring, Retaining, Ext, 0.59d, Basic	1
	17 223568	Deflector, Water	2
	18 223563	Guard, Belt, Drive, Scrbr Head, Lh	2
	19 223566	Bracket, Shield	2
	20 223569	Gasket, Shield	2
	21 222820	Seal, Ring	2
	22 15678	Screw, Hex, M06 X 1.0 X 16, Ss	8
	23 44961	Tie, Cable, Nyl, 14.5l .30w 4.0 Max D	2
	24 01684	Washer, Flt, .25 Ss	4
	25 79506	Screw, Flat, M08-1.25x 30, Ss	2
	26 09740	Screw, Hex, M08 X 1.25 X 20, Ss	2
	27 01685	Washer, Flt, .31 Ss	4
	28 222209	Spring, Flt, Door, Scrbr Head	2
	29 76099	Screw, Hex, M08 X 1.25 X 25, Fmg	4
	30 222818	Screw, Set, #08-32 X 0.25, NI	4
	31 08713	Nut, Hex, Lock, M08 X 1.25,NI, Ss	2
	32 390996	Screw, Flat, M10 X 1.5 X 20, Ss, NI	2
	33 09023	Screw, Hex, M08 X 1.25 X 35, Ss FI	2
	34 363468	Wire Assy, Jumper Reverse	1

Fig. 8 - Cylindrical Scrub Head Frame Group, 700 mm (28 in)

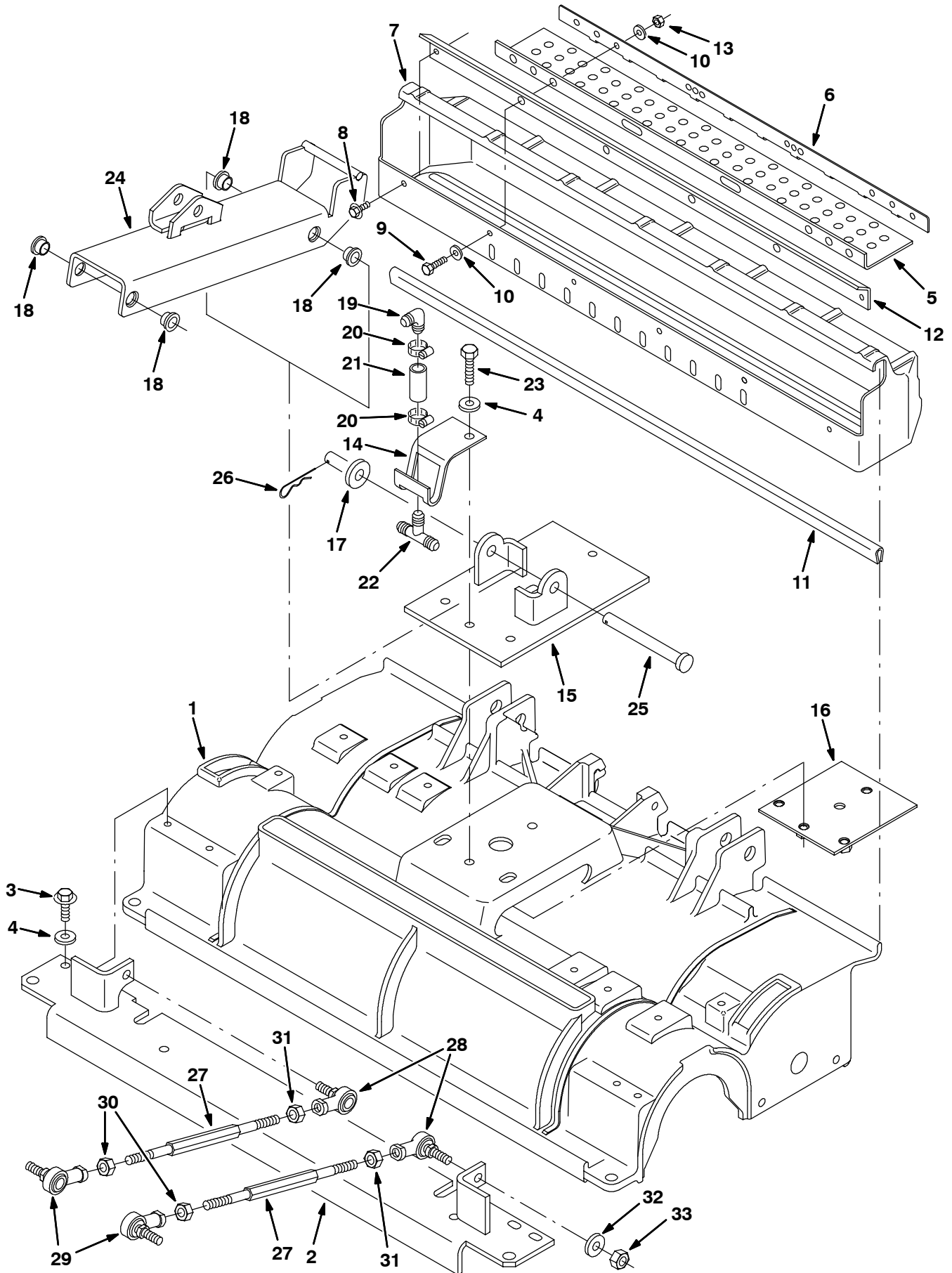


Fig. 8 - Cylindrical Scrub Head Frame Group, 700 mm (28 in)

NOTE: Cylindrical Scrub Head Kit, Nobles Part Number 392992, includes Fig. 7, Fig. 8, and Fig. 9.

Ref.	Nobles- Part No.	Description	Qty.
1	223571	Housing, Cyl, Mach 28	1
2	390641	Angle Wldt, Tool, Lift, Cyl, 28 Inch	1
3	76099	Screw, Hex, M08 X 1.25 X 25, Fmg	4
4	01685	Washer, Flt, .31 Ss	3
▽	222824	Kit, Tray, Debris, 28 In	1
▲	5 222669	Skirt	1
▲	6 222670	Strip, Debris Tray	1
▲	7 222167	Tray	1
▲	8 74455	Screw, Hex, M06 X 1.0 X 12, Fmg	2
▲	9 09007	Screw, Hex, M06 X 1.0 X 25, Ss	4
▲	10 01684	Washer, Flt, .25 Ss	8
▲	11 374006	Channel, .18 0.50 0.03 29.0l	1
▲	12 222203	Lip, Debris Tray, 28in	1
▲	13 08712	Nut, Hex, Lock, M06 X 1.0, NI, Ss	4
▲	14 222523	Bracket, Guide, Hose	1
15	393016	Plate Wldt, Tool, Lift, Cyl	1
16	223412	Plate, Mounting, Tool Lift, Sc	1
17	32486	Washer, Flt, .50 Sae	1
18	15648	Bushing, Flng, 0.50b 0.59d 0.38l	4
19	63987-1	Fitting, Plstc, E90, Bm08/Bm08	1
20	54333	Clamp, Hose, Wormdrive, 0.31-0.88d	2
21	71793	Hose, Pvc, Clr, 0.50id 0.69od 01.50l	1
22	63245-1	Fitting, Plstc, Tee, Bm08/Bm08/Bm08	1
23	09011	Screw, Hex, M08 X 1.25 X 30, Ss	4
24	392933	Channel Wldt, Tool, Lift, Cyl [Ezrider]	1
25	59668	Pin, Clevis, 0.50 D X 4.50l	1
26	21120	Pin, Hair Cotter, 0.43 D .079 Wir	1
27	390666	Rod, Thrd, 2 End, .38-24 09.0l Lh/Rh	2
28	86780	Rod-End, .38-24lh Fem 0.38-24stud	2
29	86781	Rod-End, .38-24rh Fem 0.38-24stud	2
30	20171	Nut, Hex, Jam, .38-24	2
31	82889	Nut, Hex, Jam, .38-24, Lh	2
32	01686	Washer, Flat, .38 Ss	2
33	50269	Nut, Hex, Lock, .38-24, NI, Ss	2

Fig. 9 - Cylindrical Scrub Head Squeegee Group, 700 mm (28 in)

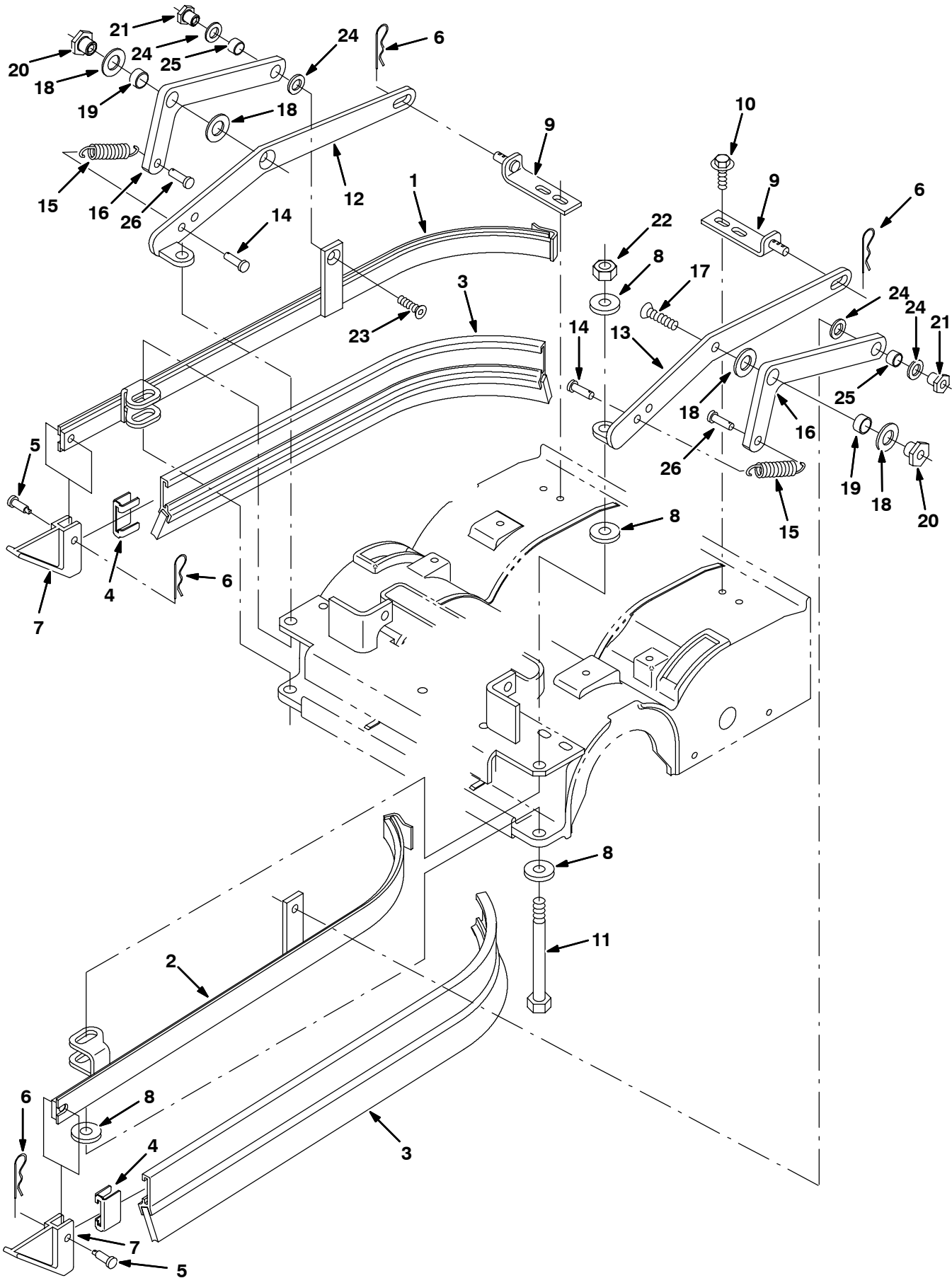


Fig. 9 - Cylindrical Scrub Head Squeegee Group, 700 mm (28 in)

NOTE: Cylindrical Scrub Head Kit, Nobles Part Number 392992, includes Fig. 7, Fig. 8, and Fig. 9.

Ref.	Nobles- Part No.	Description	Qty.
1	391327	Frame Wldt, Sqge, Side, Rh	1
2	391328	Frame Wldt, Sqge, Side, Lh	1
3	391334	Squeegee Assy, Side	2
4	86759	Retainer, Sqge	2
5	69582	Pin, Clevis, 0.31 D X 1.00l	2
6	44906	Pin, Hair Cotter, 0.69 D .092 Wir	4
7	86865	Guide, Side Sqge	2
8	33925	Washer, Flat, M12, 13x24x2.5ss	8
9	391176	Angle Wldt, Stop, Side Sqge, Cyl, Head	2
10	76099	Screw, Hex, M08 X 1.25 X 25, Fmg	4
11	19588	Screw, Hex, .50-13 X 5.00, 5	2
12	393017	Arm, Mtg, Link, Rh Sqge, Cyl Head	1
13	393018	Arm, Mtg, Link, Lh Sqge, Cyl Head	1
14	69582	Pin, Clevis, 0.31 D X 1.00l	2
15	15047	Spring, Extn, 0.62od X 0.08wir, 3.0l	2
16	25709	Bellcrank, Lift, Sqge	2
17	380587	Screw, Flat, M10 X 1.5 X 20, Ss	2
18	64425	Washer, Thrust, 0.61b 1.25d .06, Fgl	4
19	71607	Bushing, Sleeve, 0.63b 0.72d 0.38l	2
20	391345	Nut, T, M 10 X1.5 0.623od .516lg	2
21	391346	Nut, T, M8x1.25 X0.498od, 0.516lg	2
22	02931	Nut, Hex, Lock, .50-13, NI, Ss	2
23	79246	Screw, Flat, M08-1.25x 20, Ss	2
24	86860	Bearing, Thrust	4
25	64173	Bushing, Sleeve, 0.50b 0.59d 0.38l, Stl	2
26	39019	Pin, Clevis, 0.37 D X 0.75l	2

OPTIONS

Fig. 10 - Cylindrical Scrub Head Drive Motor Group, 800 mm (32 in)

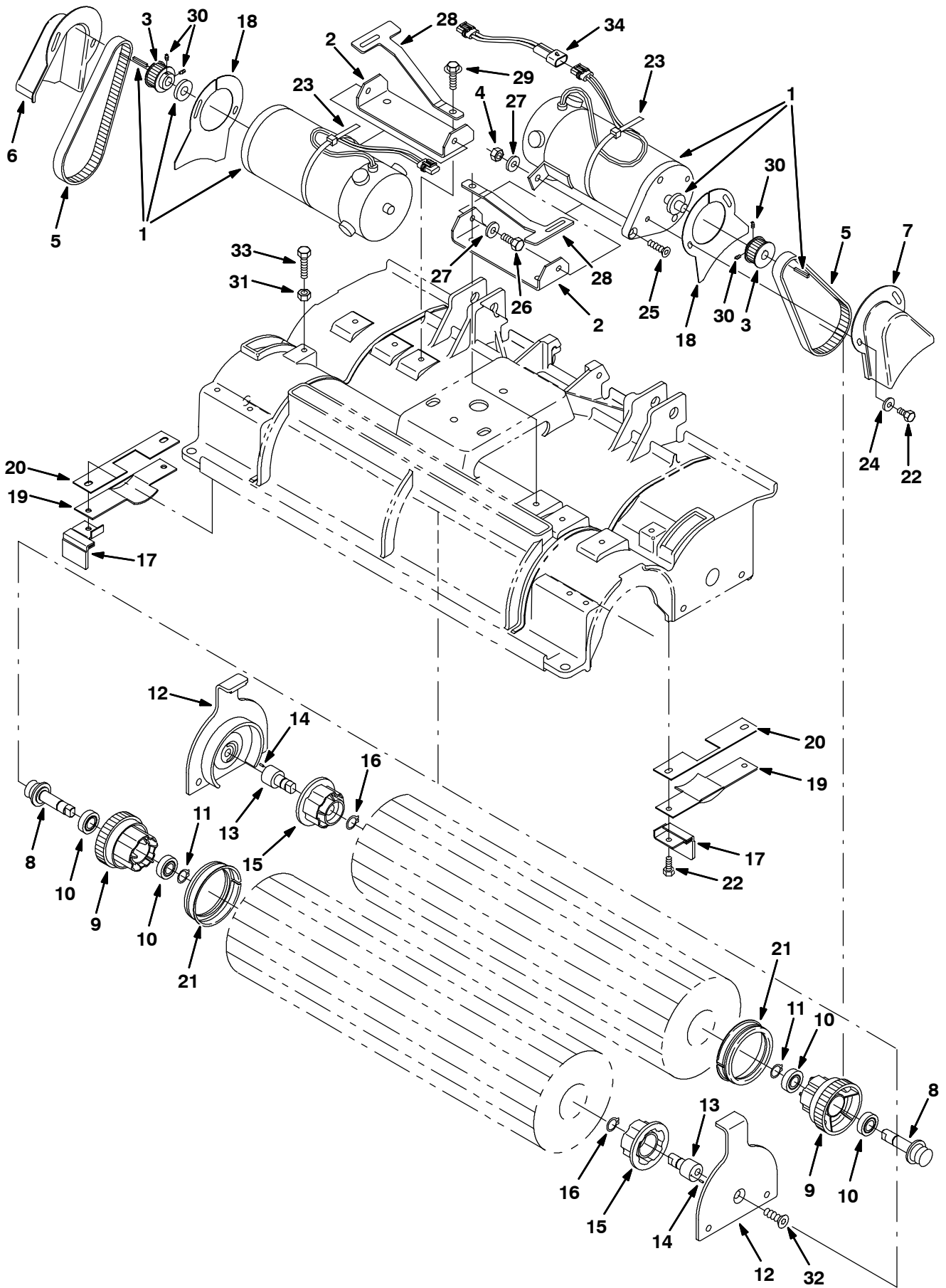


Fig. 10 - Cylindrical Scrub Head Drive Motor Group, 800 mm (32 in)

NOTE: Cylindrical Scrub Head Kit, Nobles Part Number 393003, includes Fig. 10, Fig. 11, and Fig. 12.

Ref.	Nobles- Part No.	Description	Qty.
1	374175	Motor Assy, Ele, 36Vdc, 0.75Hp (See Breakdowns)	2
2	223564	Bracket, Mtg, Motor	2
3	375195	Sprocket, Timing, 22tooth, 0.50b, [Gt/2]	2
4	08713	Nut, Hex, Lock, M08 X 1.25,NI, Ss	4
5	222201	Belt, Synchronous, 15mm 05p 500l [Gt2 K]	2
6	223560	Guard, Belt, Rh	1
7	223561	Guard, Belt, Lh	1
▽	222751	Plug Assy, Drive, Brush	2
▲	8 222176	Shaft, Drive Plug	1
▲	9 377333	Plug, Drive, Brush	1
▲	10 41360	Bearing, Ball, 0.59b 1.26d 0.35w	2
▲	11 01516	Ring, Retaining, Ext, 0.59d, Basic	1
12	369460	Door, Brush	2
▽	222752	Plug Assy, Idler, Brush	2
▲	13 222177	Shaft, Idler Plug	1
▲	14 222184	Pin, Roll, .090 D 0.25l, .094/.097	1
▲	15 379202	Plug, Idler, Brush	1
▲	16 01516	Ring, Retaining, Ext, 0.59d, Basic	1
17	223568	Deflector, Water	2
18	223563	Guard, Belt, Drive, Scrbr Head, Lh	2
19	223566	Bracket, Shield	2
20	223569	Gasket, Shield	2
21	222820	Seal, Ring	2
22	15678	Screw, Hex, M06 X 1.0 X 16, Ss	8
23	44961	Tie, Cable, Nyl, 14.5l .30w 4.0 Max D	2
24	01684	Washer, Flt, .25 Ss	4
25	79506	Screw, Flat, M08-1.25x 30, Ss	2
26	09740	Screw, Hex, M08 X 1.25 X 20, Ss	2
27	01685	Washer, Flt, .31 Ss	4
28	222209	Spring, Flt, Door, Scrbr Head	2
29	76099	Screw, Hex, M08 X 1.25 X 25, Fmg	4
30	222818	Screw, Set, #08-32 X 0.25, NI	4
31	08713	Nut, Hex, Lock, M08 X 1.25,NI, Ss	2
32	390996	Screw, Flat, M10 X 1.5 X 20, Ss, NI	2
33	09023	Screw, Hex, M08 X 1.25 X 35, Ss FI	2
34	363468	Wire Assy, Jumper Reverse	1

Fig. 11 - Cylindrical Scrub Head Frame Group, 800 mm (32 in)

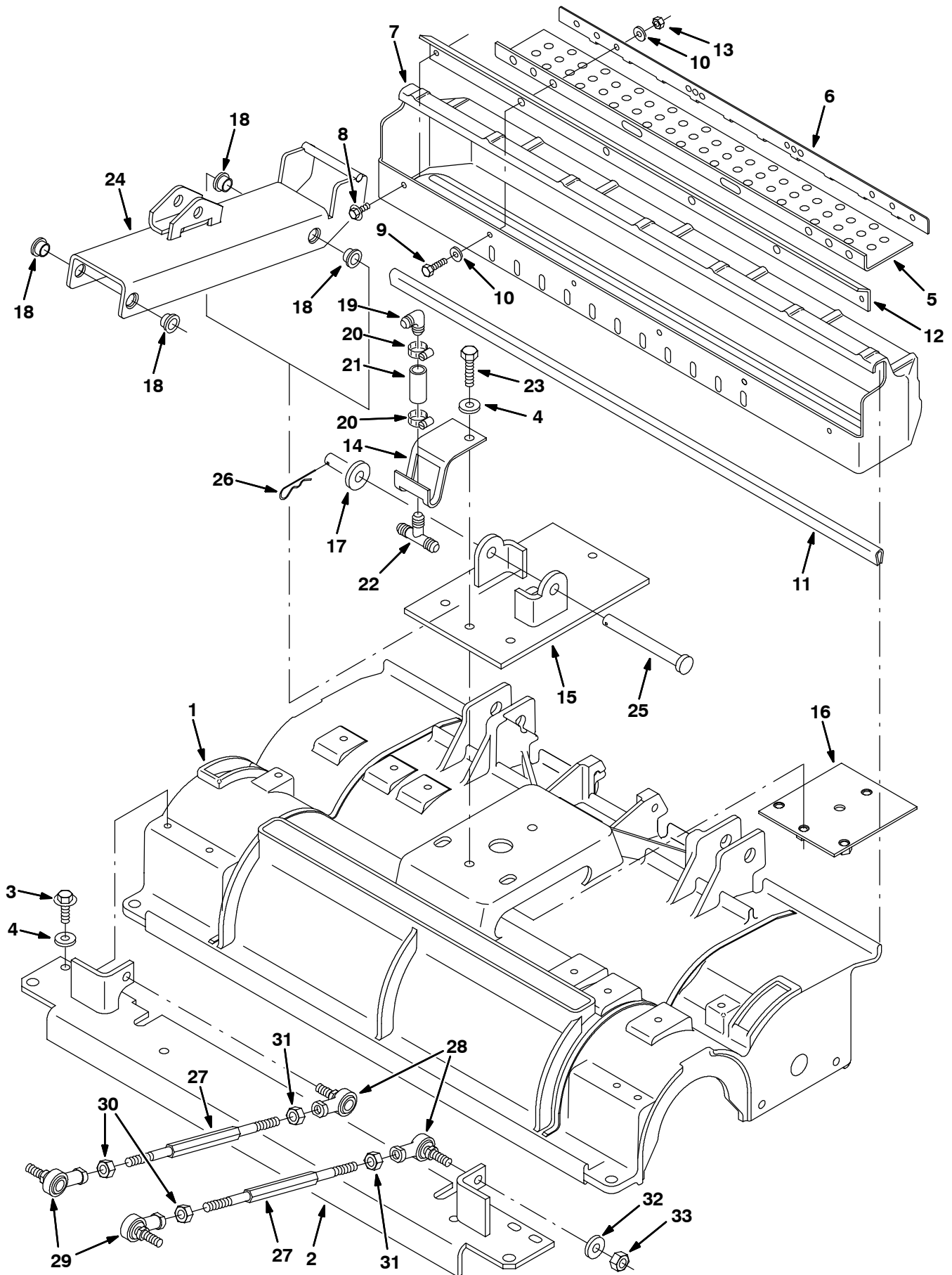


Fig. 11 - Cylindrical Scrub Head Frame Group, 800 mm (32 in)

NOTE: Cylindrical Scrub Head Kit, Nobles Part Number 393003, includes Fig. 10, Fig. 11, and Fig. 12.

Ref.	Nobles- Part No.	Description	Qty.
1	223573	Housing, Cyl, Mach 28	1
2	390667	Angle Wldt, Tool, Lift, Cyl, 28 Inch	1
3	76099	Screw, Hex, M08 X 1.25 X 25, Fmg	4
4	01685	Washer, Flt, .31 Ss	3
▽	222824	Kit, Tray, Debris, 28 In	1
▲	5 222669	Skirt	1
▲	6 222670	Strip, Debris Tray	1
▲	7 391330	Tray, Debris, 32 Inch	1
▲	8 74455	Screw, Hex, M06 X 1.0 X 12, Fmg	2
▲	9 09007	Screw, Hex, M06 X 1.0 X 25, Ss	4
▲	10 01684	Washer, Flt, .25 Ss	8
▲	11 374007	Channel, .18 0.50 0.03 33.0l	1
▲	12 222204	Lip, Debris Tray, 32 In	1
▲	13 08712	Nut, Hex, Lock, M06 X 1.0, NI, Ss	4
▲	14 222523	Bracket, Guide, Hose	1
15	393016	Plate Wldt, Tool, Lift, Cyl	1
16	223412	Plate, Mounting, Tool Lift, Sc	1
17	32486	Washer, Flt, .50 Sae	1
18	15648	Bushing, Flng, 0.50b 0.59d 0.38l	4
19	63987-1	Fitting, Plstc, E90, Bm08/Bm08	1
20	54333	Clamp, Hose, Wormdrive, 0.31-0.88d	2
21	71793	Hose, Pvc, Clr, 0.50id 0.69od 01.50l	1
22	63245-1	Fitting, Plstc, Tee, Bm08/Bm08/Bm08	1
23	09011	Screw, Hex, M08 X 1.25 X 30, Ss	4
24	392933	Channel Wldt, Tool, Lift, Cyl [Ezrider]	1
25	59668	Pin, Clevis, 0.50 D X 4.50l	1
26	21120	Pin, Hair Cotter, 0.43 D .079 Wir	1
27	390666	Rod, Thrd, 2 End, .38-24 09.0l Lh/Rh	2
28	86780	Rod-End, .38-24lh Fem 0.38-24stud	2
29	86781	Rod-End, .38-24rh Fem 0.38-24stud	2
30	20171	Nut, Hex, Jam, .38-24	2
31	82889	Nut, Hex, Jam, .38-24, Lh	2
32	01686	Washer, Flat, .38 Ss	2
33	50269	Nut, Hex, Lock, .38-24, NI, Ss	2

Fig. 12 - Cylindrical Scrub Head Squeegee Group, 800 mm (32 in)

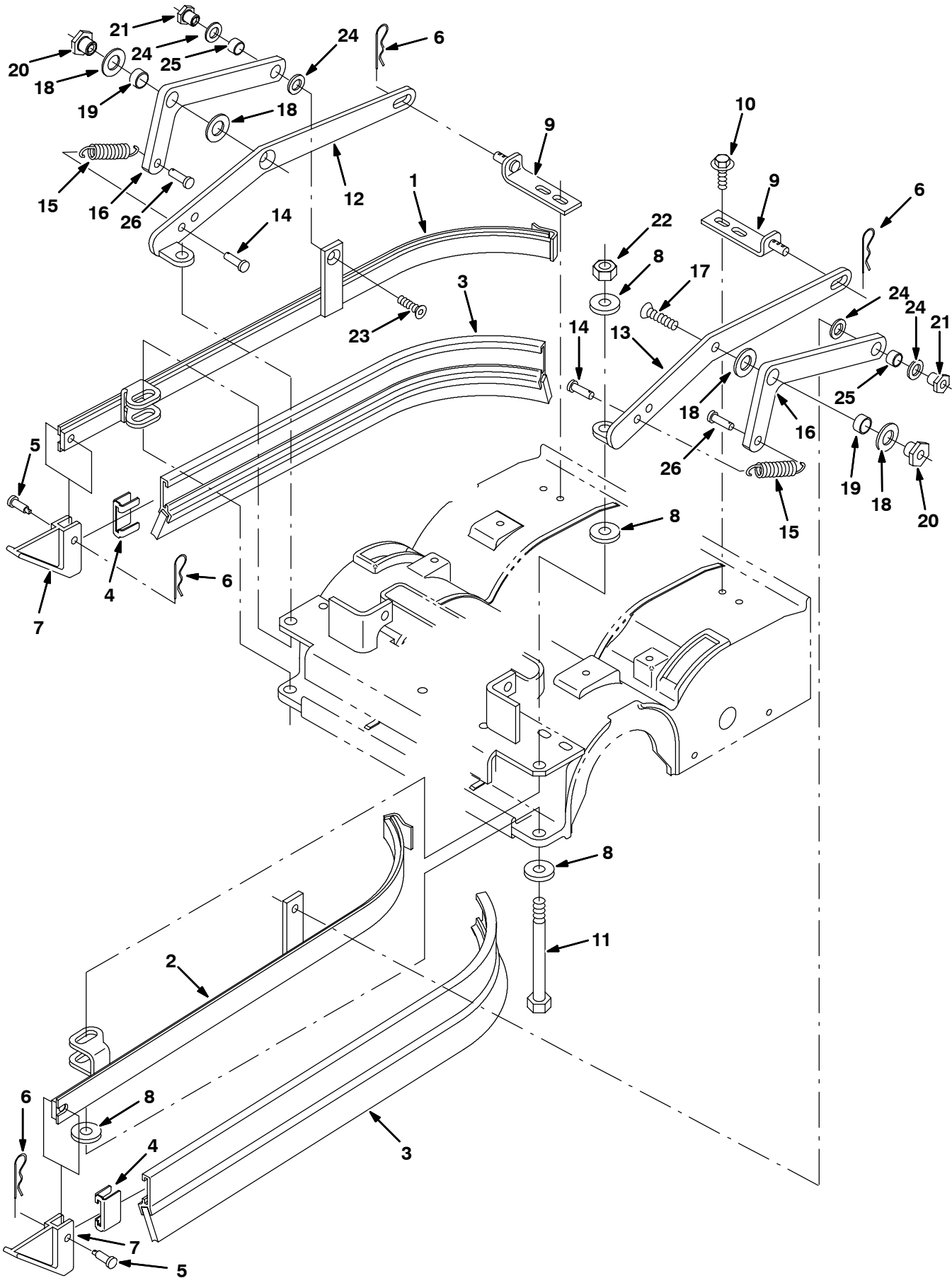


Fig. 12 - Cylindrical Scrub Head Squeegee Group, 800 mm (32 in)

NOTE: Cylindrical Scrub Head Kit, Nobles Part Number 393003, includes Fig. 10, Fig. 11, and Fig. 12.

Ref.	Nobles- Part No.	Description	Qty.
1	223413	Frame, Side Squeegee Rh	1
2	223304	Frame Wldt, Sqge, Lh, Cyl	1
3	86859	Blade Assy, Sqge, Side [Linatex]	2
4	86759	Retainer, Sqge	2
5	69582	Pin, Clevis, 0.31 D X 1.00l	2
6	44906	Pin, Hair Cotter, 0.69 D .092 Wir	4
7	86865	Guide, Side Sqge	2
8	33925	Washer, Flat, M12, 13x24x2.5ss	8
9	391176	Angle Wldt, Stop, Side Sqge, Cyl, Head	2
10	76099	Screw, Hex, M08 X 1.25 X 25, Fmg	4
11	19588	Screw, Hex, .50-13 X 5.00, 5	2
12	393017	Arm, Mtg, Link, Rh Sqge, Cyl Head	1
13	393018	Arm, Mtg, Link, Lh Sqge, Cyl Head	1
14	69582	Pin, Clevis, 0.31 D X 1.00l	2
15	15047	Spring, Extn, 0.62od X 0.08wir, 3.0l	2
16	25709	Bellcrank, Lift, Sqge	2
17	380587	Screw, Flat, M10 X 1.5 X 20, Ss	2
18	64425	Washer, Thrust, 0.61b 1.25d .06, Fgl	4
19	71607	Bushing, Sleeve, 0.63b 0.72d 0.38l	2
20	391345	Nut, T, M 10 X1.5 0.623od .516lg	2
21	391346	Nut, T, M8x1.25 X0.498od, 0.516lg	2
22	02931	Nut, Hex, Lock, .50-13, NI, Ss	2
23	79246	Screw, Flat, M08-1.25x 20, Ss	2
24	86860	Bearing, Thrust	4
25	64173	Bushing, Sleeve, 0.50b 0.59d 0.38l, Stl	2
26	39019	Pin, Clevis, 0.37 D X 0.75l	2

Fig. 13 - Rear Squeegee Group, 800 mm (32 in)

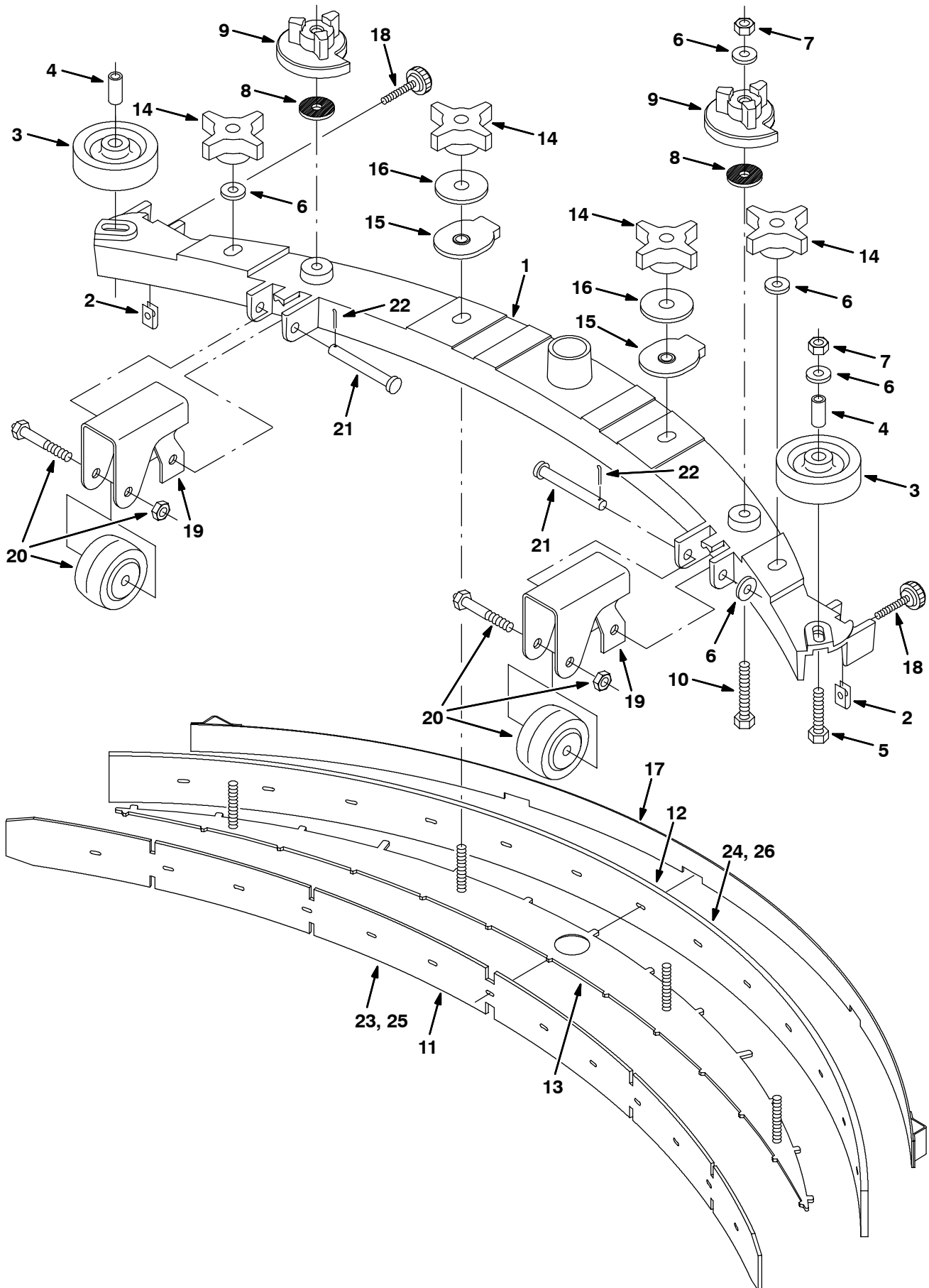


Fig. 13 - Rear Squeegee Group, 800 mm (32 in)

Ref.	Nobles- Part No.	Description	Qty.
▽	392981	Kit, Ci, Sqge Assy, Rear, 800mm[Ez/7080]	1
▲	1 390671	Frame, Casting, Sqge, 800mm	1
▲	2 82138	Nut, Speed, Clip, .25-20 [.025-.150]	2
▲	3 81582	Wheel, 3.0d 0.87w 0.44b	2
▲	4 393129	Sleeve, P/M, 0.437d 0.318b 1.15l 430ss	2
▲	5 222505	Screw, Hex, M08 X 1.25 X 45, Ss	2
▲	6 01685	Washer, Flat, .31 Ss	8
▲	7 08713	Nut, Hex, Lock, M08 X 1.25, NI, Ss	4
▲	8 222268	Washer, 0.38b 1.25d .12, Neo	2
▲	9 222244	Cam, Adj, Sqge	2
▲	10 09767	Screw, Hex, M08 X 1.25 X 70, Ss	2
▲▽	391385	Kit, Sqge, Tile, 800mm [7100]	1
▲▲	11 390923	Blade, Sqge, Front, 800mm Linatex	1
▲▲	12 390934	Blade, Sqge, Rear, Gum Rbr, 800mm	1
▲	13 390920	Plate, Retainer, Blade, 800mm	1
▲	14 370100	Knob, Star, 2.8 4ear 1.1l .31-18 Plstc	4
▲	15 390982	Ring, Mtg, Sqge	2
▲	16 04414	Washer, 0.53b 1.88d .12, Stl, PI	2
▲	17 390944	Retainer Wldt, Sqge, 700mm	1
▲	18 222794	Knob Assy, Rnd, 1.00d 0.50l .25-20 1.5l	2
▲	19 1005469	Bracket, Wheel, Sqge, Rear	2
▲	20 390773	Wheel Assy, Sqge	2
▲	21 23191	Pin, Clevis, 0.37 D X 3.00l	2
▲	22 39005	Pin, Cotter, .094 X 0.75	2
▽	391383	Kit, Sqge, Oil-Rstn, 800mm [7100]	1
▲	23 391379	Blade, Sqge, Front, 800mm, Oil-Rstn	1
▲	24 391380	Blade, Sqge, Rear, 800mm, Oil-Rstn	1
▽	392989	Kit, Ci, Sqge, Linatex, 800mm[Ez/7080]	1
▲	25 390923	Blade, Sqge, Front, 800mm Linatex	1
▲	26 390922	Blade, Sqge, Rear, 800mm Linatex	1

Fig. 14 - Revolving Light Kit

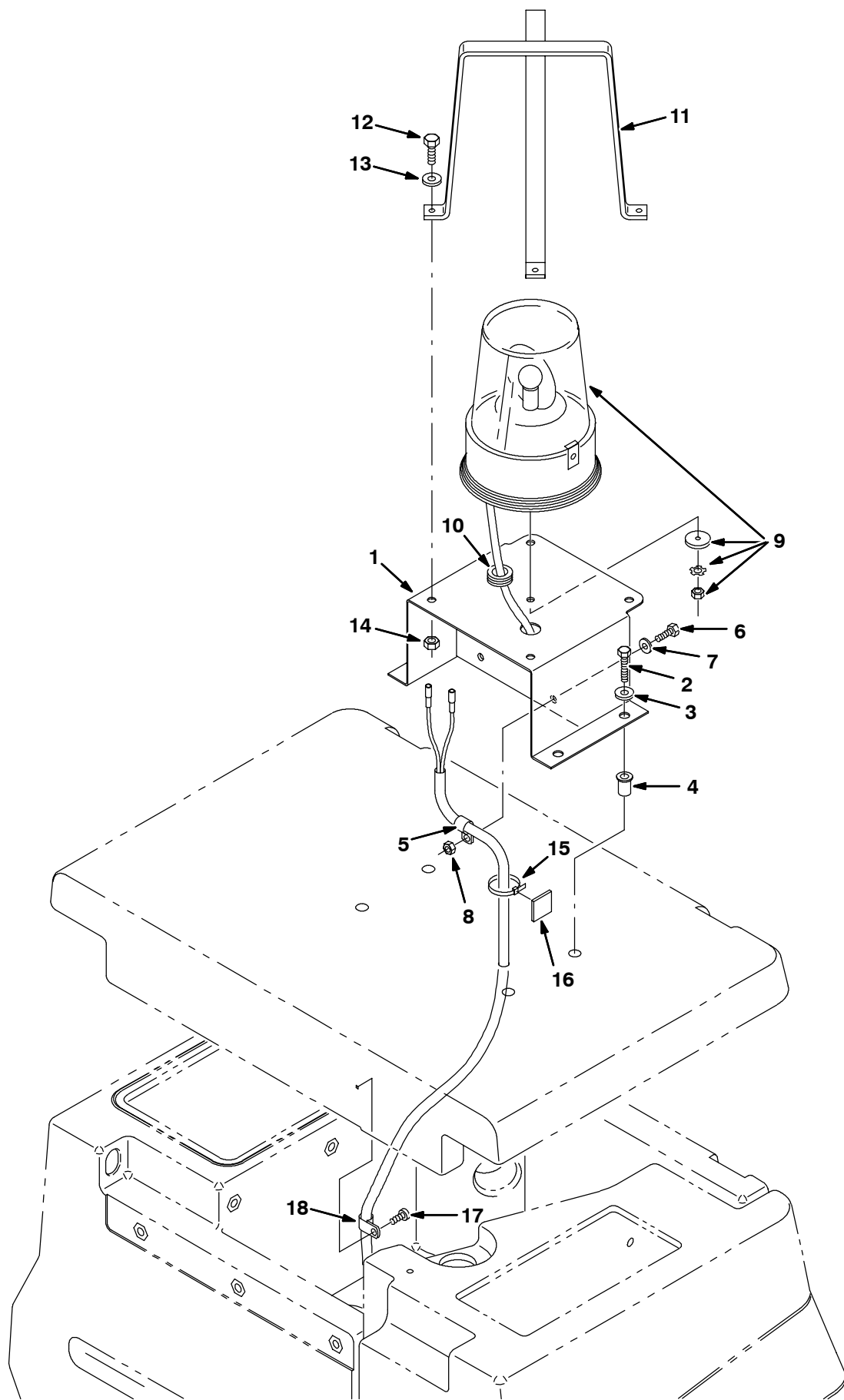


Fig. 14 - Revolving Light Kit

	Ref.	Nobles- Part No.	Description	Qty.
▽		393048	Kit, Ci, Light, Revl [Ezhp/7080]	1
▲	1	392962	Bracket Wldt, Light	1
▲	2	16951	Screw, Hex, .25-20 X 1.25, Sems	4
▲	3	32491	Washer, Flt, .31 Std	4
▲	4	397644	Nut, Isolator, .25-20 Wall Thk .187-.343	4
▲	5	26395-1	Clamp, Cable, Stl, 0.56d X 0.38w, 1h	1
▲	6	06943	Screw, Hex, M06 X 1.0 X 20, 8.8	1
▲	7	32483	Washer, Flt, .25 Sae	2
▲	8	08708	Nut, Hex, Lock, M06 X 1.0, NI	1
▲▽	9	390916	Lamp Assy, Revl	1
▲▲		45283	Lamp, 40vdc, 0.9a	1
▲▲		44681-1	Lens, Amber, Light, Revl	1
▲	10	10632-2	Grommet, Rbr, 0.62id, F/ 0.9h, .12matl	1
▲	11	45272	Guard Wldt, Light, Revl/Flsh	1
▲	12	06943	Screw, Hex, M06 X 1.0 X 20, 8.8	4
▲	13	32483	Washer, Flt, .25 Sae	8
▲	14	08708	Nut, Hex, Lock, M06 X 1.0, NI	4
▲	15	49263	Tie, Cable, Nyl, 11.4l .19w 3.0 Max D	2
▲	16	55248	Mount, Cable Tie	1
▲	17	360973	Screw, Pan, #12-16 X 0.50, F/ Plstc	1
▲	18	26395-2	Clamp, Cable, Stl, 0.38d X 0.38w, 1h	1
		44681	Lens, Red, Light, Revl	1
		44681-2	Lens, Blue, Light, Revl	1

Fig. 15 - Flashing Light Kit

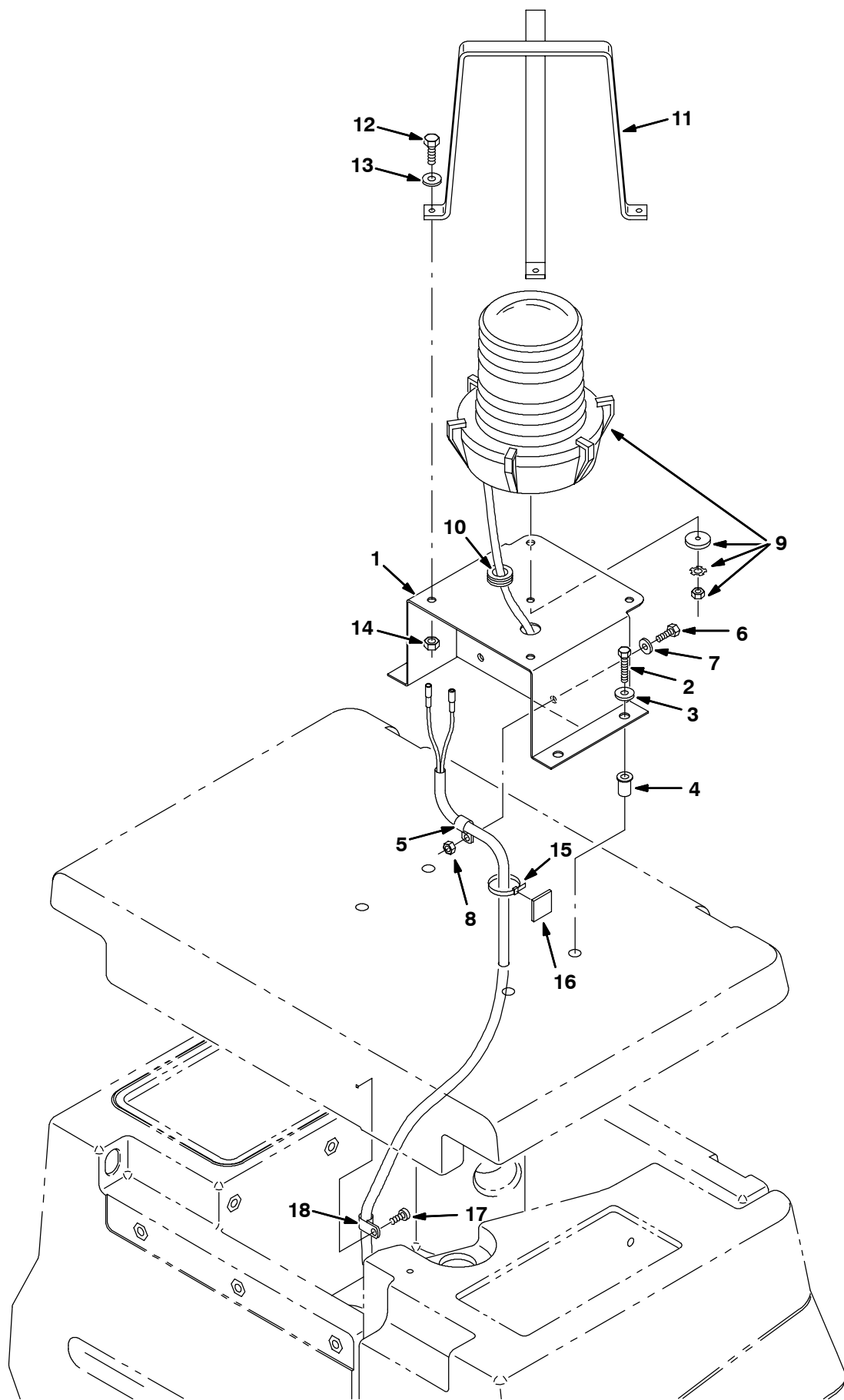


Fig. 15 - Flashing Light Kit

Ref.	Nobles- Part No.	Description	Qty.
▽	393049	Kit, Ci, Light, Flsh [Ezhp/7080]	1
▲	1 392962	Bracket Wldt, Light	1
▲	2 16951	Screw, Hex, .25-20 X 1.25, Sems	4
▲	3 32491	Washer, Flt, .31 Std	4
▲	4 397644	Nut, Isolator, .25-20 Wall Thk .187-.343	4
▲	5 26395-1	Clamp, Cable, Stl, 0.56d X 0.38w, 1h	1
▲	6 06943	Screw, Hex, M06 X 1.0 X 20, 8.8	1
▲	7 32483	Washer, Flt, .25 Sae	2
▲	8 08708	Nut, Hex, Lock, M06 X 1.0, NI	1
▲▽	9 390915	Lamp Assy, Flsh	1
▲▲	45283	Lamp, 40vdc, 0.9a	1
▲▲	58520	Lens, Amber, Light, Flsh	1
▲	10 10632-2	Grommet, Rbr, 0.62id, F/ 0.9h, .12matl	1
▲	11 45272	Guard Wldt, Light, Revl/Flsh	1
▲	12 06943	Screw, Hex, M06 X 1.0 X 20, 8.8	4
▲	13 32483	Washer, Flt, .25 Sae	8
▲	14 08708	Nut, Hex, Lock, M06 X 1.0, NI	4
▲	15 49263	Tie, Cable, Nyl, 11.4l .19w 3.0 Max D	2
▲	16 55248	Mount, Cable Tie	1
▲	17 360973	Screw, Pan, #12-16 X 0.50, F/ Plstc	1
▲	18 26395-2	Clamp, Cable, Stl, 0.38d X 0.38w, 1h	1
	58518	Lens, Red, Light, Flsh	1
	58519	Lens, Blue, Light, Flsh	1

Fig. 16 - Backup Alarm Kit

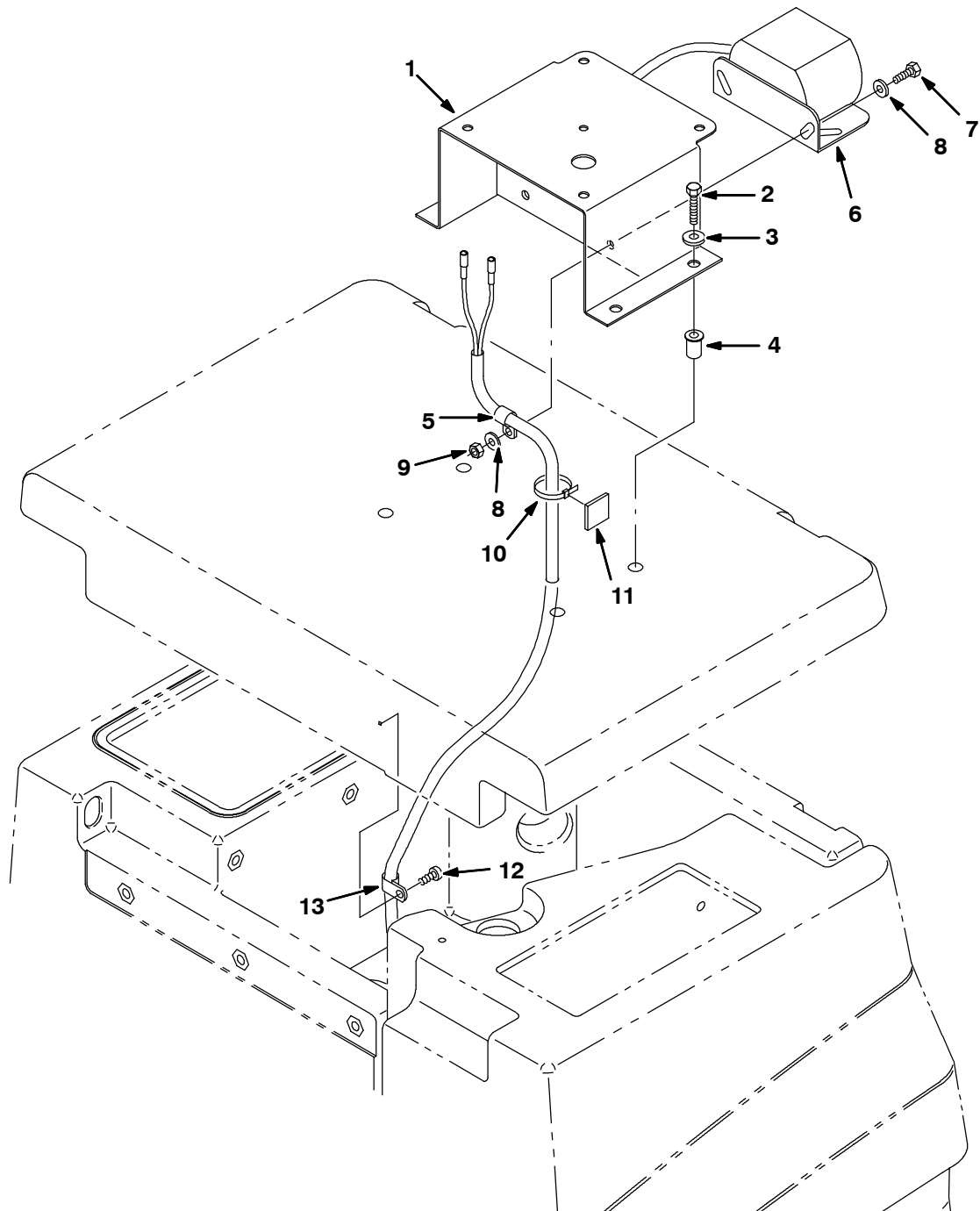


Fig. 16 - Backup Alarm Kit

	Ref.	Nobles- Part No.	Description	Qty.
▽		393042	Kit, Ci, Alarm, Backup, W/ Bracket	1
▲	1	392962	Bracket Wldt, Light	1
▲	2	16951	Screw, Hex, .25-20 X 1.25, Sems	4
▲	3	32491	Washer, Flt, .31 Std	4
▲	4	397644	Nut, Isolator, .25-20 Wall Thk .187-.343	4
▲	5	26395-1	Clamp, Cable, Stl, 0.56d X 0.38w, 1h	1
▲	6	369349	Alarm Assy, Backup, 12-48vdc 82-102dba	1
▲	7	06943	Screw, Hex, M06 X 1.0 X 20, 8.8	2
▲	8	32483	Washer, Flt, .25 Sae	4
▲	9	08708	Nut, Hex, Lock, M06 X 1.0, NI	2
▲	10	49263	Tie, Cable, Nyl, 11.4l .19w 3.0 Max D	2
▲	11	55248	Mount, Cable Tie	1
▲	12	360973	Screw, Pan, #12-16 X 0.50, F/ Plstc	1
▲	13	26395-2	Clamp, Cable, Stl, 0.38d X 0.38w, 1h	1

Fig. 17 - Backup Alarm Kit W/O Bracket

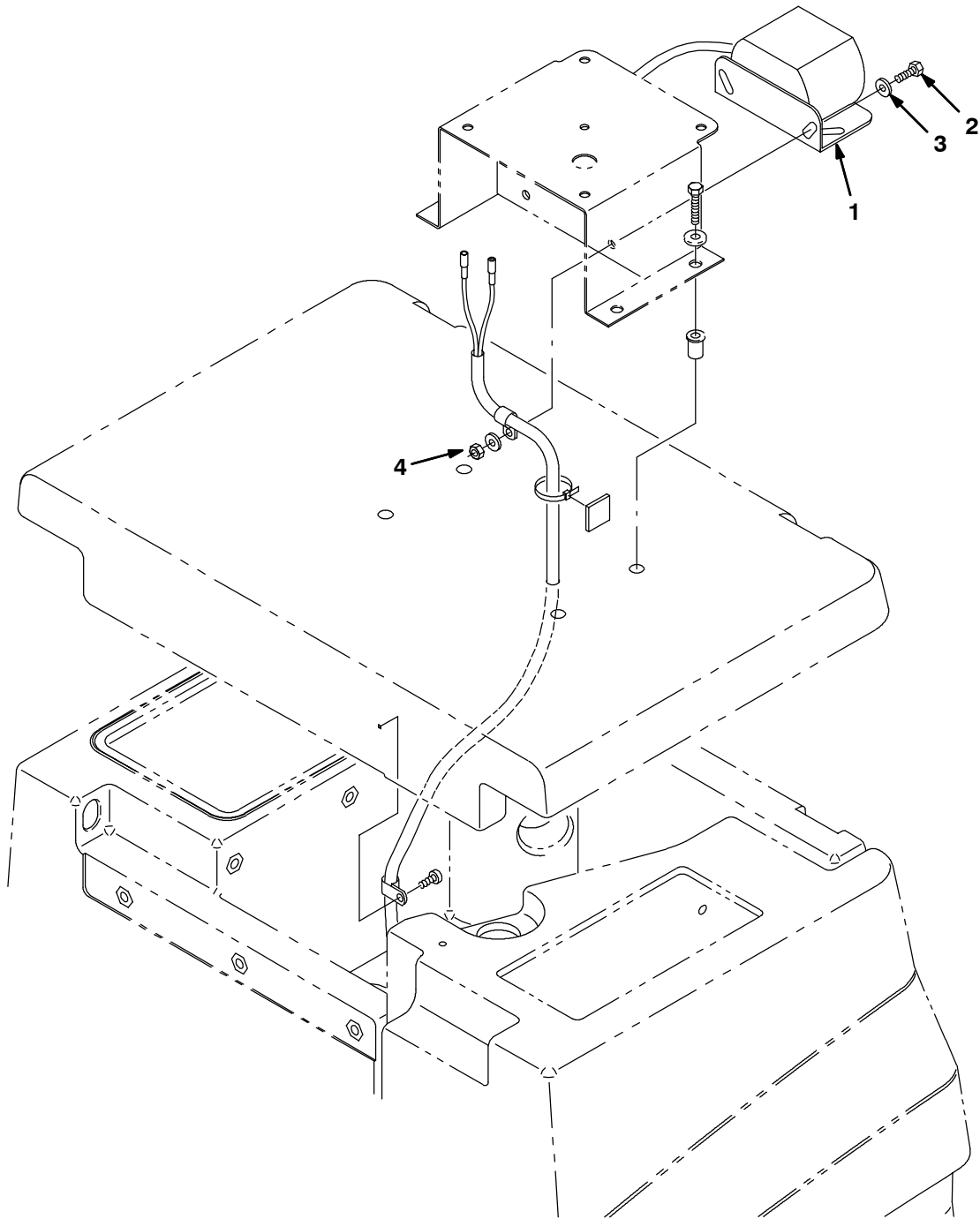
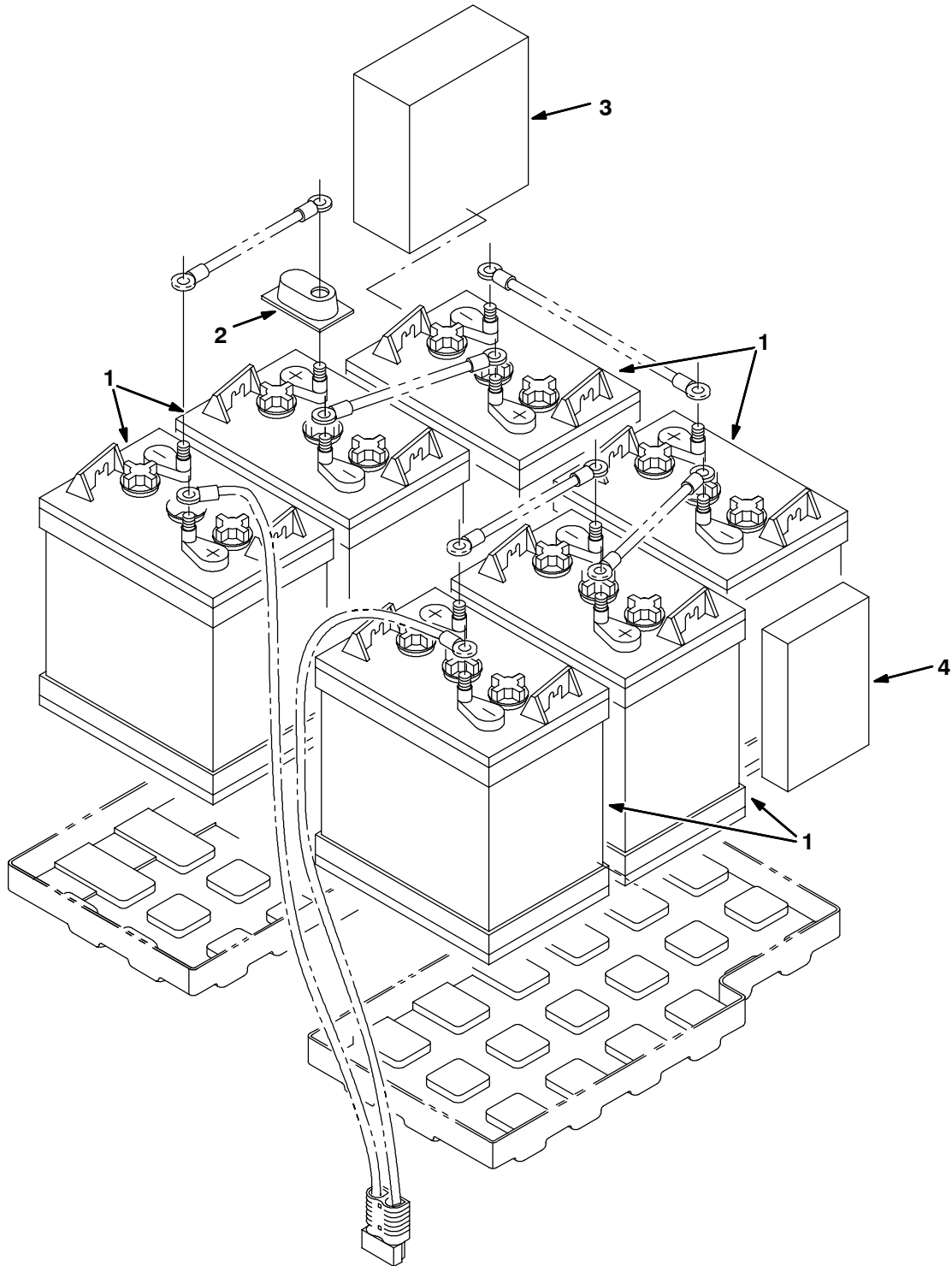


Fig. 17 - Backup Alarm Kit W/O Bracket

	Ref.	Nobles- Part No.	Description	Qty.
▽		393044	Kit, Ci, Alarm, Backup, W/O Bracket	1
▲	1	369349	Alarm Assy, Backup, 12-48vdc 82-102dba	1
▲	2	06943	Screw, Hex, M06 X 1.0 X 20, 8.8	2
▲	3	32483	Washer, Flt, .25 Sae	4
▲	4	08708	Nut, Hex, Lock, M06 X 1.0, NI	2

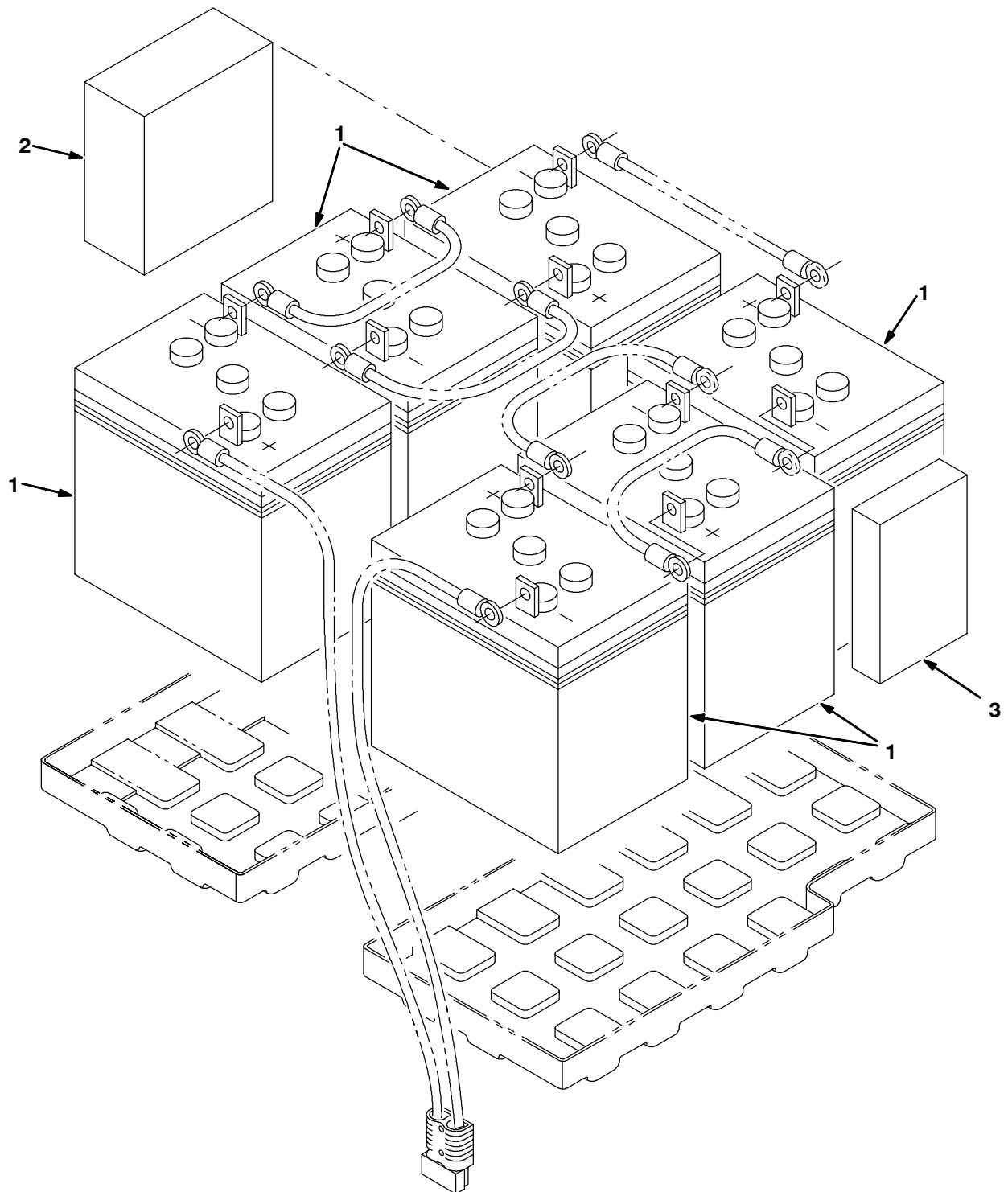
Fig. 18 - Battery Kit, Wet, 244AH



353482 - EZ, 7080

Ref.	Nobles- Part No.	Description	Qty.
▽	390829	Kit, Ci, Battery, 36vdc, 244ah Wet	1
▲	1 390825	Battery, 06vdc, 244ah, Wet	6
▲	2 45962	Cover, Terminal, Battery, Pye	12
▲	3 391362	Spacer, Foam	1
▲	4 223639	Spacer, Battery 1.50x4.75x7.5	1

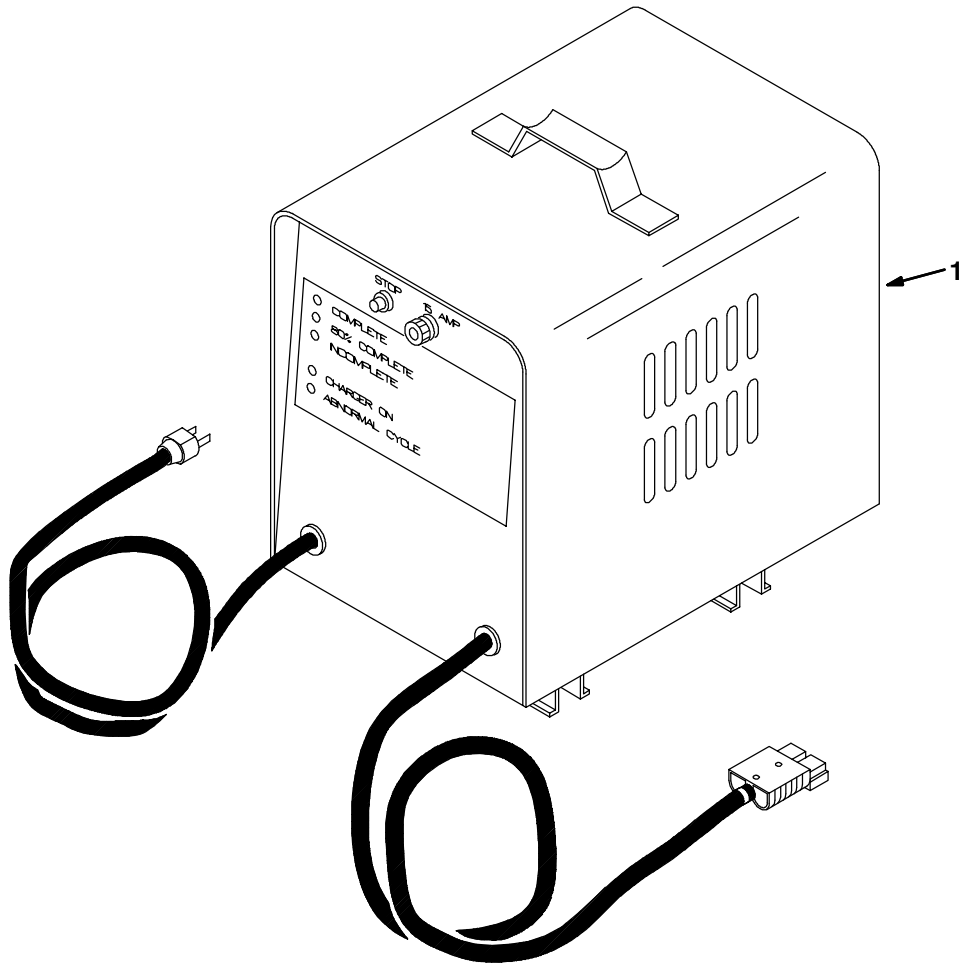
Fig. 19 - Battery Group, Maintenance Free, 180AH



353680 - EZ, 7080

Ref.	Nobles- Part No.	Description	Qty.
1	390764	Battery, 06vdc, 180ah, Maint Free	6
2	391362	Spacer, Battery	1
3	223639	Spacer, Battery 1.50x4.75x7.5	1

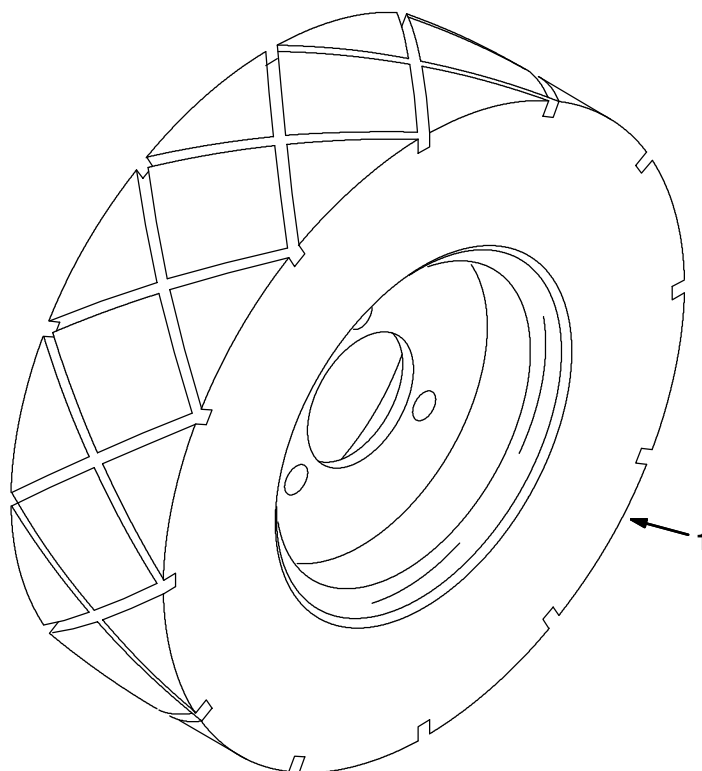
Fig. 20 - Battery Charger Group



350771 - EZ, 7080

Ref.	Nobles- Part No.	Description	Qty.
1	390767	Charger, 36Vdc, 020A 50/60Hz	1

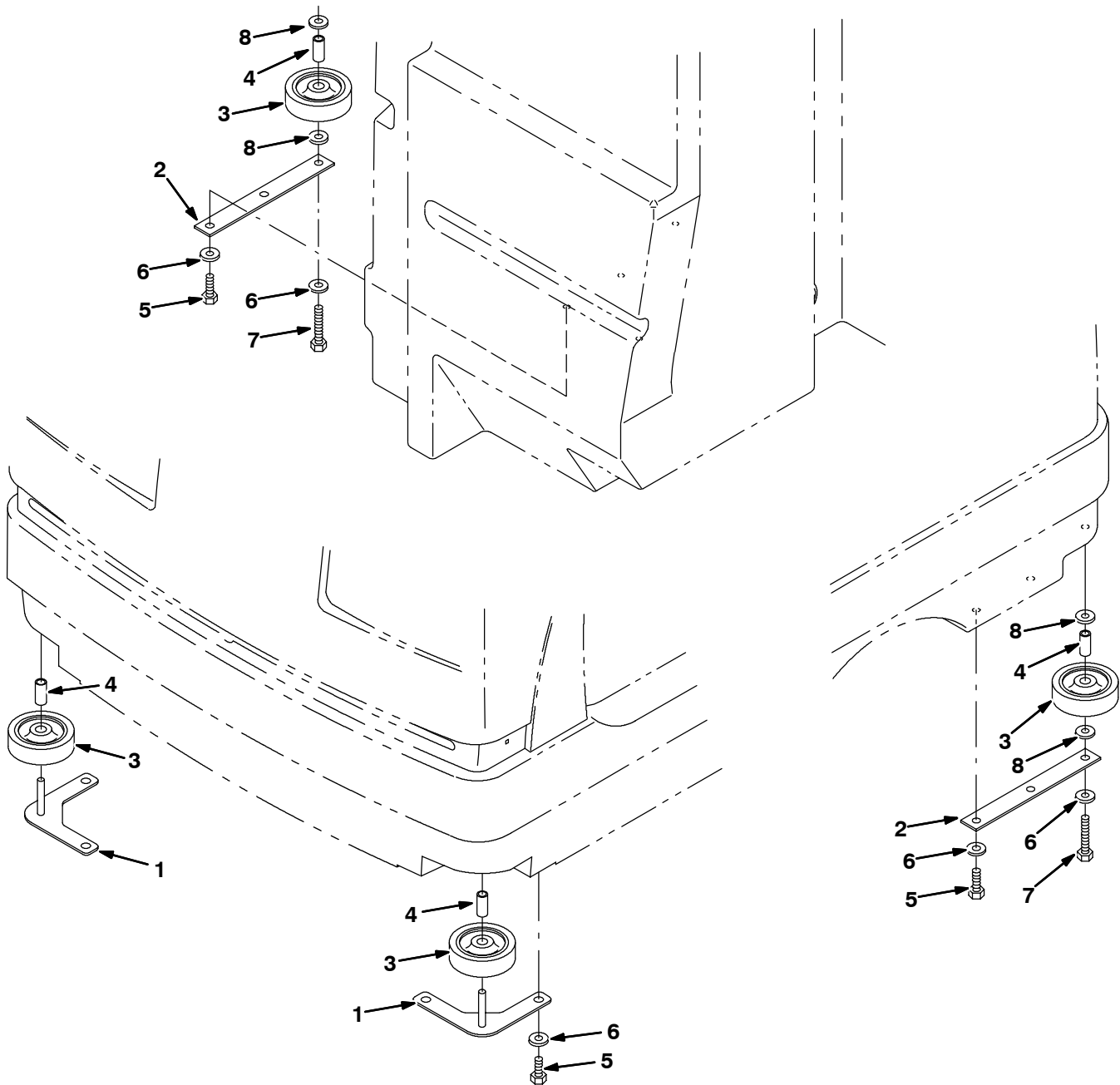
Fig. 21 - Solid Non-Marking Tire Assembly, Rear



352896 - EZ, 7080

Ref.	Nobles- Part No.	Description	Qty.
1	369394	Tire, Solid Rear Non Mark 12X3	2

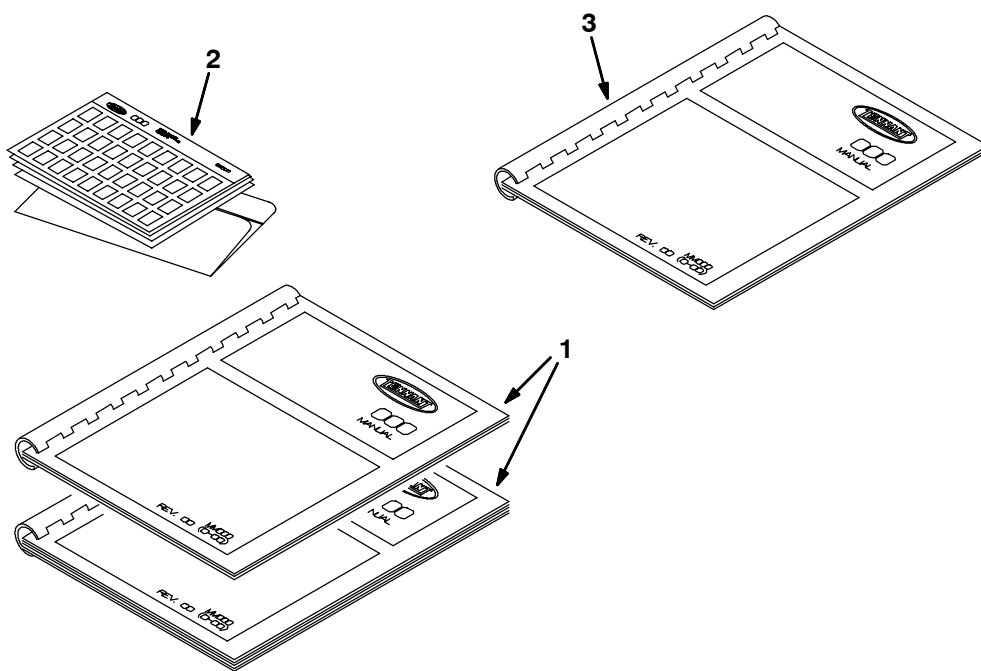
Fig. 22 - Corner Wheels Kit



352896 - EZ, 7080

Ref.	Nobles-Part No.	Description	Qty.
▽	393019	Kit, Ci, Wheel, Corner	1
▲	1 1007845	Plate Wldt, Mtg, Wheel	2
▲	2 390822	Strip	2
▲	3 81580	Wheel, 4.0d 0.87w 0.44b	4
▲	4 393129	Sleeve, P/M, 0.437d 0.318b 1.15l 430ss	4
▲	5 09740	Screw, Hex, M08 X 1.25 X 20, Ss	6
▲	6 01685	Washer, Flat, .31 Ss	8
▲	7 49694	Screw, Hex, M08 X 1.25 X 50, Ss	2
▲	8 39349	Washer, Flat, .31 Sae	4

Fig. 23 - Documentation Group



07501 - EZ

Ref.	Nobles-Part No.	Description	Qty.
1	330780	Manual Pkg, [Ez Rider Hp Ele Na]	1
2	330781	Manual, Fiche, [Ez Rider Hp Ele]	1
3	330782	Manual, Oprtr, [Ez Rider Hp Ele Es Na]	1
3	330783	Manual, Oprtr, [Ez Rider Hp Ele Fr Na]	1

SECTION 4

Contents	Page
Fig. 1 - Electric Motor Breakdown, 391296	4-2
Fig. 2 - Electric Motor Breakdown, 223358	4-4
Fig. 3 - Electric Motor Breakdown, 374175	4-5
Fig. 4 - Front Wheel Gearbox Breakdown, 390851	4-6

Fig. 1 - Electric Motor Breakdown, 391296

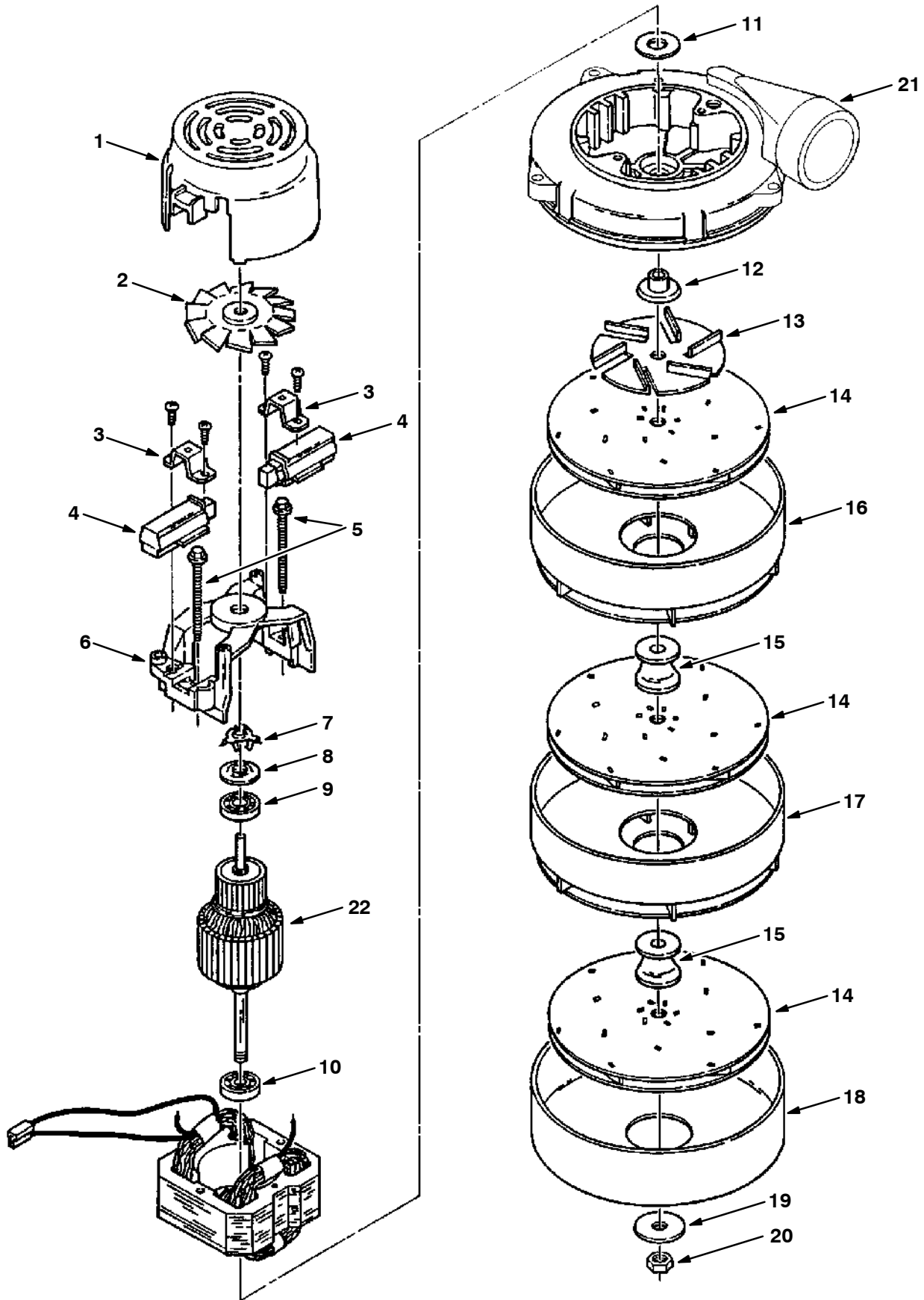
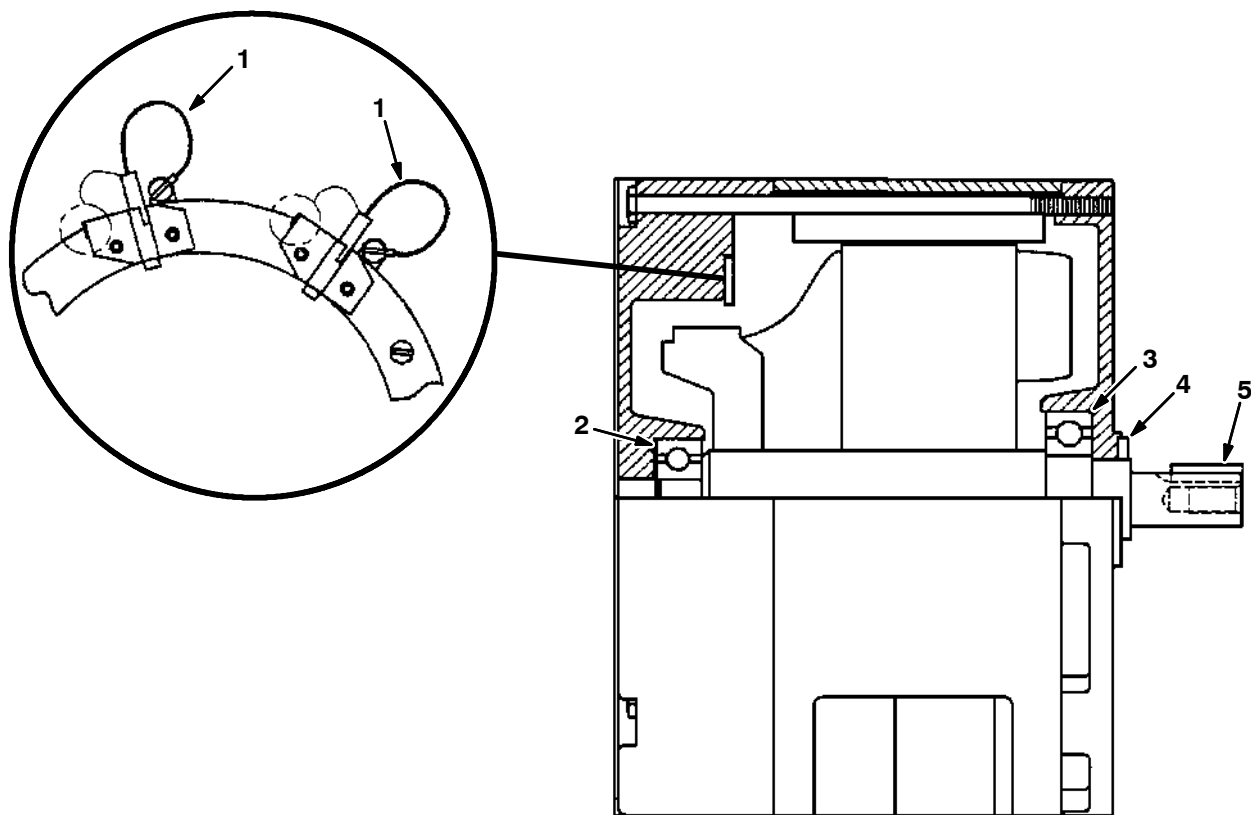


Fig. 1 - Electric Motor Breakdown, 391296

	Ref.	Nobles- Part No.	Description	Qty.
▽		130413	Fan, Vacuum	1
▲	1	37926	Housing	1
▲	2	61298	Fan	1
▲	3	01982	Clamp	2
▲	4	11756	Brush Mechanism	2
▲	5	01969	Screw	2
▲	6	01983	Comm. Bracket	1
▲	7	01856	Spring	1
▲	8	37909	Disc	1
▲	9	01842	Bearing	1
▲	10	01837	Bearing	1
▲	11	37912	Washer, Neo.	1
▲	12	18627	Spacer	1
▲	13	01971	Fan	1
▲	14	18628	Vacuum Fan	3
▲	15	18630	Spacer	2
▲	16	61300	Stationary Fan	1
▲	17	61297	Stationary Fan	1
▲	18	18631	Shell	1
▲	19	18632	Washer	1
▲	20	37929	Nut	1
▲	21	60386	Bracket, Fan End	1
▲	22	21765	Armature	1
▲		391343	Seal, Fan	1
▲		10925	Connector, 2 Conductor	1
▲		10926	Terminal, Female	2
▲		391350	Screen, Fan Inlet	1

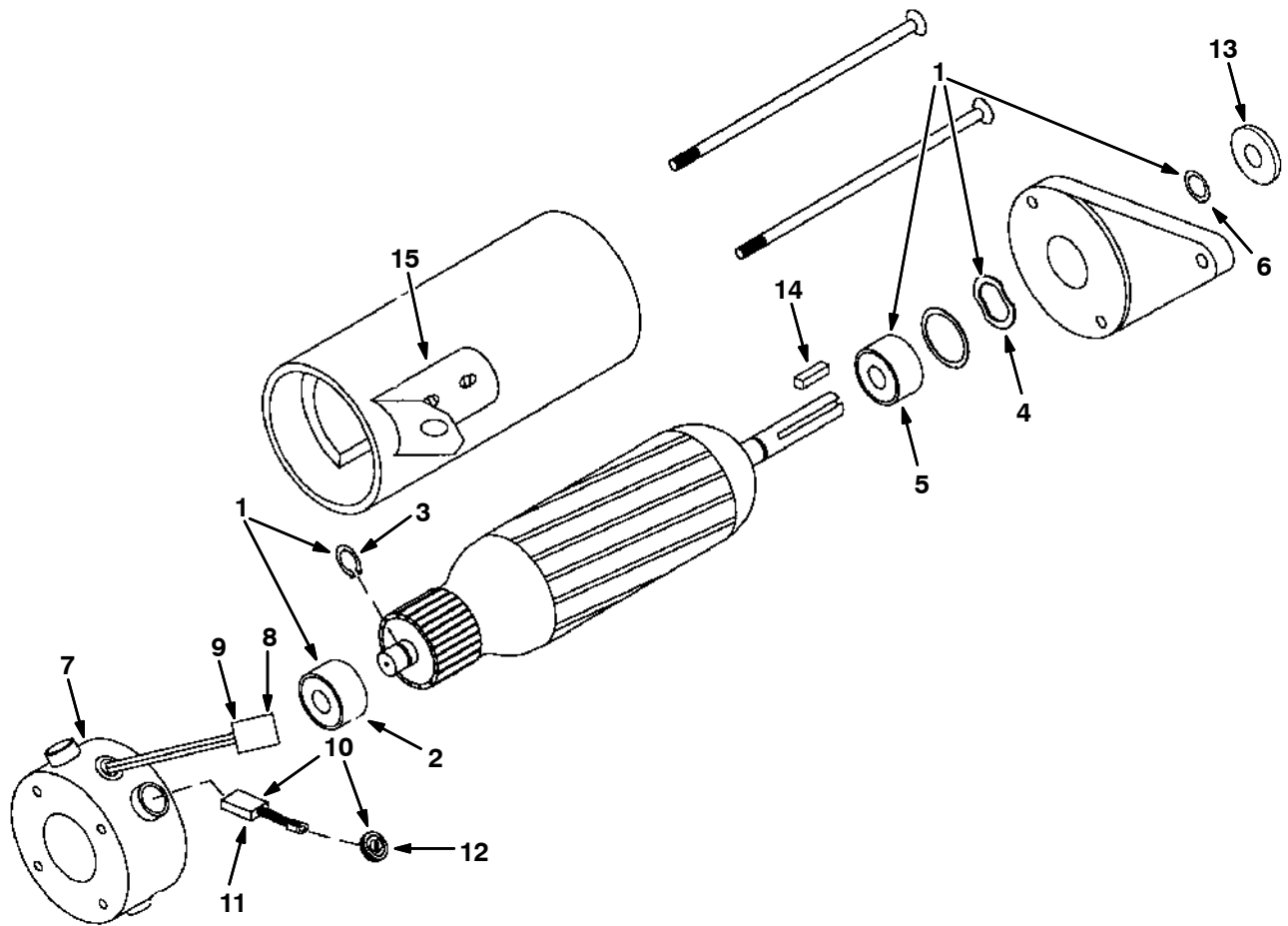
Fig. 2 - Electric Motor Breakdown, 223358



350783

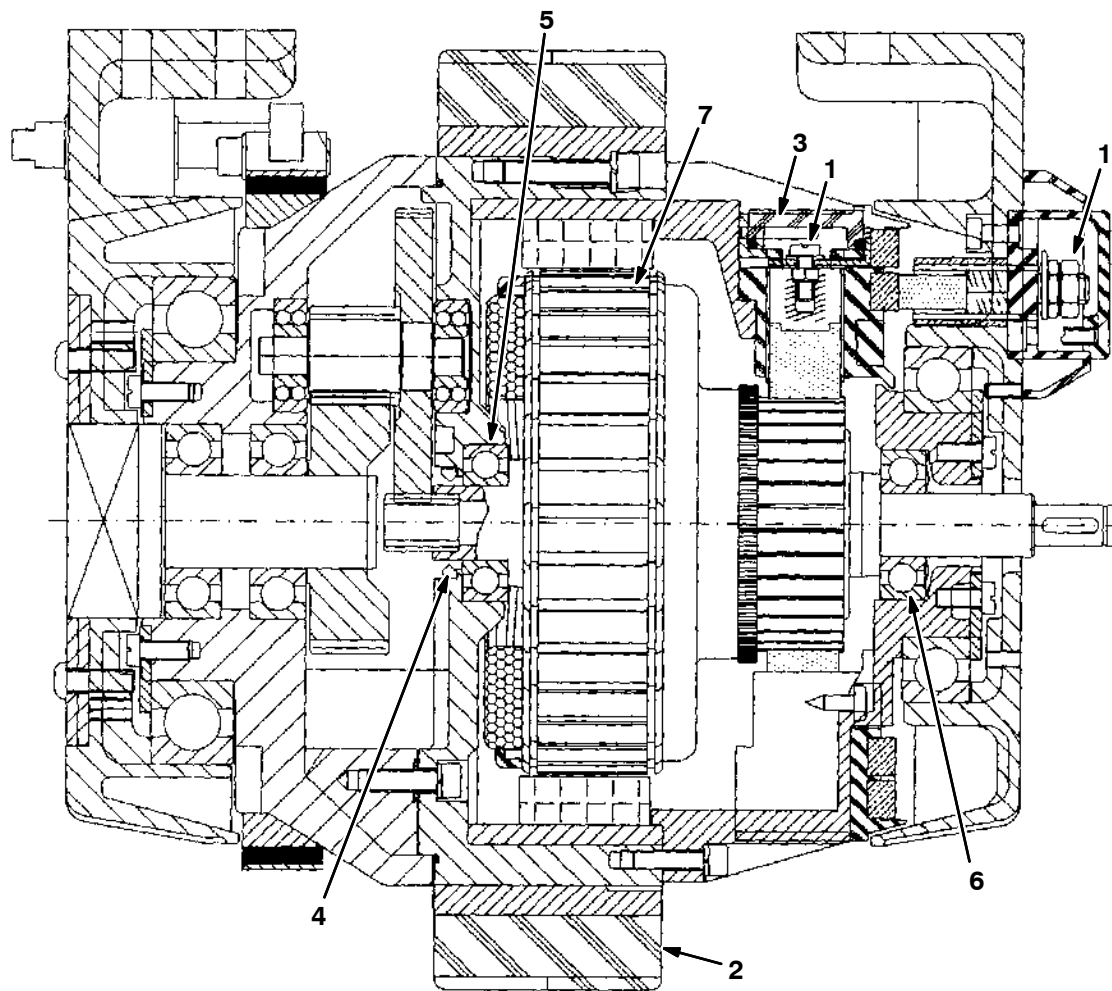
Ref.	Nobles-Part No.	Description	Qty.
▽	223358	Motor, 36 Vdc, 0.8Hp, 320 Rpm	1
▲	1 222606	Brush Kit,	1
▲	2 222618	Bearing	1
▲	3 223351	Bearing Be	1
▲	4 223352	Oil Seal	1
▲	5 00928	Key Square 0.25 0.25 01.00 Lg	1
▲	10925	Connector, 2 Conductor	1
▲	24537	Terminal Female Metri-Pack	2

Fig. 3 - Electric Motor Breakdown, 374175



Ref.	Nobles- Part No.	Description	Qty.
▽	374175	Motor Assy, Ele, 36Vdc, 0.75Hp, 1700Rpm	1
▲▽	1 374176	Kit, Motor Bearing	1
▲▲	2 222635	Bearing	1
▲▲	3 222637	Ring, Snap	1
▲▲	4 375177	Washer, Spring	1
▲▲	5 375178	Bearing, Drive End	1
▲▲	6 375179	Seal	1
▲▽	7 374004	Endbell, Brush End, Motor-Ele	1
▲▲	8 10925	Connector, 2-Conductor	1
▲▲	9 24537	Terminal, Female	2
▲▽	10 222625	Kit, Brush	1
▲▲	11 222627	Brush	4
▲▲	12 222629	Cap, Brush Holder	4
▲	13 20536-2	Washer, 0.47b 1.19d .03, Nyl	1
▲	14 00954	Key, Sq, 0.12 X 0.12, 01.00l	1
▲	15 222877	Kit, Brace	1

Fig. 4 - Front Wheel Gearbox Breakdown, 390851



Ref.	Nobles- Part No.	Description	Qty.
▽	390851	Gearbox, Wheel, Front, 250mm	1
▲	1 391261	Kit, Brush, Motor	1
▲	2 391463	Tire, Solid, 250mm x 90mm Grey Pyu	1
▲	3 391262	Kit, Brush, Cover	1
▲	4 391263	Seal, Ring	1
▲	5 391264	Bearing, Gearbox Side	1
▲	6 391265	Bearing, Motor Side	1
▲	7 391266	Armature, Assy, 250mm	1
▲	391271	Caliper, Brake	1
▲	391274	Rotor, Brake, 14mm	1

SECTION 5

CONTENTS	PAGE
PART NUMBER TO PAGE NUMBER CROSS REFERENCE LIST	5-2
PART DESCRIPTION TO PAGE NUMBER CROSS REFERENCE LIST	5-6

CROSS REFERENCE

PART NUMBER TO PAGE NUMBER CROSS REFERENCE LIST

Part Number	Page Number	Part Number	Page Number	Part Number	Page Number
00912	2-13	08712	2-9, 2-19, 2-21, 2-29, 2-35, 2-39, 2-45, 3-7, 3-11, 3-17, 3-23	15047	3-3, 3-19, 3-25
00926	2-29			15539	2-5, 2-7
00928	4-4			15648	2-29, 2-43, 3-3, 3-7, 3-11, 3-17, 3-23
00954	4-5	08713	2-45, 2-47, 3-15, 3-21, 3-27	15678	2-19, 2-33, 3-15, 3-21
01516	3-15, 3-21			16213	2-23
01684	2-9, 2-29, 2-31, 2-33, 2-35, 2-39, 2-45, 3-7, 3-9, 3-11, 3-13, 3-15, 3-17, 3-21, 3-23	08714	2-27, 2-31, 3-9, 3-13	16930	2-19
		08716	2-9, 2-21, 2-29, 2-35, 2-39, 3-7, 3-11	16931	2-9, 2-11
01685	2-15, 2-19, 2-21, 2-33, 2-35, 2-37, 2-41, 2-43, 2-45, 2-47, 3-5, 3-15, 3-17, 3-21, 3-23, 3-27, 3-40	09005	2-25	16951	3-29, 3-31, 3-33
		09007	2-31, 2-45, 3-9, 3-13, 3-17, 3-23	17188	2-37, 3-5
				17461	2-27
01686	2-27, 2-31, 2-45, 3-3, 3-7, 3-9, 3-11, 3-13, 3-17, 3-23	09010	2-45	18627	4-3
		09011	3-17, 3-23	18628	4-3
		09023	3-15, 3-21	18630	4-3
		09062	2-21	18631	4-3
		09146	2-15	18632	4-3
01697	2-9	09164	2-11	19065	2-23
01754	2-15	09198	2-5, 2-7	19066	2-23
01837	4-3	09228	2-23	19324	2-11, 2-17
01842	4-3	09258	2-41	19588	3-19, 3-25
01856	4-3	09570	2-9, 2-17	20171	2-31, 3-9, 3-13, 3-17, 3-23
01969	4-3	09740	2-9, 2-15, 2-33, 2-35, 2-37, 2-43, 2-45, 3-15, 3-21, 3-40	20536-2	4-5
01971	4-3			21120	3-17, 3-23
01982	4-3	09767	2-47, 3-27	21765	4-3
01983	4-3	1001268	2-31, 3-9, 3-13	222055	2-31, 3-9, 3-13
02076	2-41	1001290	2-3, 2-31, 3-9, 3-13	222159	2-19
02185	2-43	1001959	2-19	222167	3-17
02850	2-23, 3-3	1002672	2-17	222176	3-15, 3-21
02931	3-19, 3-25	1005021	2-23	222177	3-15, 3-21
02942	2-27, 3-3	1005469	2-47, 3-27	222184	3-15, 3-21
02991	2-29, 3-7, 3-11	1005650	2-17	222196	2-27, 2-29, 3-7, 3-11
02994	3-7, 3-11	1005770	2-39	222197	2-31, 3-9, 3-13
04051	2-27, 2-41	1006122	2-29, 3-7	222201	2-3, 3-15, 3-21
04414	2-47, 3-27	1006123	2-31, 3-9, 3-13	222203	3-17
05134	3-5	1006382	2-45	222204	3-23
05724	2-7	1006520	2-39	222209	3-15, 3-21
05726	2-7	1006539	3-11	222233	2-45
06474A	2-43	1007845	3-40	222236	2-45
06549	2-11, 2-17	1008388	2-43	222244	2-47, 3-27
06937	2-17	10573	3-5	222268	2-47, 3-27
06943	2-11, 3-29, 3-31, 3-33, 3-35	10632-2	3-29, 3-31	222304	2-5
		10632	2-23	222305	2-5
06957	2-9, 2-21	10925	4-3, 4-4, 4-5	222306	2-5
06962	2-19	10926	4-3	222307	2-7
07259	2-19	10959	2-31, 3-9, 3-13	222308	2-7
07449	3-3	11109	2-25	222309	2-7
07790	2-11	11211	2-27	222320	2-5
07791	2-11	11756	4-3	222321	2-5
08170	2-21	12273	2-33, 2-37, 2-43	222322	2-5
08175	2-31, 3-9, 3-13	12274	2-23	222324	2-5
08182	2-23, 2-43	12323	3-3	222325	2-5
08708	2-11, 2-15, 2-21, 3-29, 3-31, 3-33, 3-35	130413	4-3	222326	2-5
		13248	2-9, 2-33, 2-37	222327	2-5
08709	2-13, 2-17, 3-3	13534	2-25	222374	2-39
08711	2-13	140308	2-37	222497	2-35
		14799	2-13	222504	2-19
		14838	2-5, 2-7	222505	2-47, 3-27

CROSS REFERENCE

Part Number	Page Number	Part Number	Page Number	Part Number	Page Number
222523	3-17, 3-23	24299	2-5, 2-7	374175	3-15, 3-21, 4-5
222606	4-4	24537	4-4, 4-5	374176	4-5
222618	4-4	24672	2-29	374225	2-23
222625	4-5	25537	2-11	375177	4-5
222627	4-5	25709	3-19, 3-25	375178	4-5
222629	4-5	25735	2-45	375179	4-5
222635	4-5	26395-1	2-9, 2-19, 3-29, 3-31, 3-33	375195	3-15, 3-21
222637	4-5	26395-2	3-29, 3-31, 3-33	375302	2-33, 3-5
222669	3-17, 3-23	29558	2-23, 2-43	375411	2-11
222670	3-17, 3-23	30241	2-7	377333	3-15, 3-21
222683	2-15	31988	2-15	37909	4-3
222742	2-39	32483	2-15	37912	4-3
222751	3-15, 3-21		2-9, 2-11, 2-15, 2-17, 2-19, 2-23, 3-29, 3-31, 3-33, 3-35	379202	3-15, 3-21
222752	3-15, 3-21			37926	4-3
222793	2-37	32486	2-23, 2-27, 2-29, 3-7, 3-11, 3-17, 3-23	37929	4-3
222794	2-47, 3-27			380587	3-19, 3-25
222818	3-15, 3-21	32490	2-19	382264	2-11
222820	3-15, 3-21	32491	2-11, 3-3, 3-29, 3-31, 3-33	384265	3-3
222822	2-33, 3-5			384287	3-3
222824	3-17, 3-23	32492	2-23, 3-3	384418	3-3
222877	4-5	32493	2-13	384419	3-3
22297	2-35	32982	2-17	385665	3-5
22298	2-19	32983	2-11	385728	2-23
223061	2-13	32983	2-11	385729	2-23
223065	2-13	330780	3-41	386326	2-33
223072	2-13	330781	3-41	39005	2-23, 2-43, 2-47, 3-27
223073	2-13	330782	3-41	39019	3-3, 3-19, 3-25
223075	2-13	330783	3-41	390633	2-3, 2-29, 3-7
223080	2-11	33925	3-19, 3-25	390634	2-3, 2-29, 3-7
223153	2-19	33930	2-35	390635	2-29, 3-7
223154	2-19	360369	2-11	390636	2-29, 3-7
223157	2-19	360370	2-11	390641	3-17
223159	2-19	360930	2-35	390650	2-3, 3-11
223160	2-19	360973	2-9, 2-15, 3-29, 3-31, 3-33	390651	2-3, 3-11
223161	2-19			390652	3-11
223304	3-25	361074	2-15	390653	3-11
223330	2-11	361339	2-9, 2-19	390665	2-27
223351	4-4	36191	2-21	390666	2-31, 3-9, 3-13, 3-17, 3-23
223352	4-4	363087	2-23		
223355	2-41	363468	3-15, 3-21	390667	3-23
223356	2-41	363503	2-11	390670	2-47
223358	3-7, 3-11, 4-4	363976	3-3	390671	3-27
223361	2-41	363981	2-23	390677	2-35
223412	3-17, 3-23	364631	2-39	390681	2-9
223413	3-25	365095	3-5	390694	2-11
223517	2-27	36643	2-27	390696	2-9
223518	2-27	369345	2-25	390764	3-37
223560	3-15, 3-21	369349	3-33, 3-35	390767	3-38
223561	3-15, 3-21	369394	3-39	390769	2-11
223563	3-15, 3-21	369460	3-15, 3-21	390773	2-3, 2-47, 3-27
223564	3-15, 3-21	369865	3-5	390785	2-19
223566	3-15, 3-21	370091	2-5	390788	2-13
223568	2-3, 3-15, 3-21	370092	2-7	390800	2-9
223569	2-3, 3-15, 3-21	370095	2-5, 2-7	390822	3-40
223571	3-17	370100	2-47, 3-27	390825	3-36
223573	3-23	374004	4-5	390829	3-36
223621	2-23	374006	3-17	390848	2-19
223639	3-36, 3-37	374007	3-23	390849	2-29
22892	2-41	374041	2-5	390851	2-19, 4-6
23191	2-47, 3-27	374042	2-7	390855	2-19

CROSS REFERENCE

Part Number	Page Number	Part Number	Page Number	Part Number	Page Number
390856	2-21	391343	2-3, 2-35, 4-3	392963	2-37
390857	2-21	391345	3-19, 3-25	392966	2-23
390867	2-23	391346	3-19, 3-25	392967	2-27
390868	2-21	391350	2-35, 4-3	392968	2-21
390879	2-19, 2-41, 2-45	391351	2-33	392980	2-47
390880	2-43	391362	3-36, 3-37	392981	3-27
390882	2-3, 2-33	391368	2-35	392988	2-47
390883	2-3, 2-33	391372	2-33	392989	3-27
390892	2-21	391377	2-3, 2-47	393016	3-17, 3-23
390893	2-21	391378	2-3, 2-47	393017	3-19, 3-25
390895	2-21	391379	2-3, 3-27	393018	3-19, 3-25
390905	2-25	391380	2-3, 3-27	393019	3-40
390915	3-31	391381	2-13	393023	2-27
390916	3-29	391382	2-25	393027	2-35
390920	3-27	391383	2-3, 3-27	393028	2-35
390922	2-3, 3-27	391384	2-3, 2-47	393029	2-9
390923	2-3, 3-27	391385	2-3, 3-27	393042	3-33
390934	2-3, 3-27	391386	2-3, 2-47	393044	3-35
390936	2-3, 2-47	391401	2-13	393048	3-29
390940	2-47	391403	2-33	393049	3-31
390942	2-3, 2-47	391434	2-35	393100	3-5
390943	2-3, 2-47	391463	4-6	393102	3-5
390944	2-47, 3-27	392171	2-15	39311	3-3
390946	2-3, 2-33	39277	2-27	393112	2-15
390965	2-43	392816	2-27	393117	2-41
390970	2-43	392818	2-11	393118	2-41
390975	2-45	392822	2-11	39312	3-3
390982	2-47, 3-27	392823	2-31, 3-9, 3-13	393121	2-29, 3-7, 3-11
390989	2-43	392827	2-15	393122	2-29, 3-7, 3-11
390994	2-37	392838	2-15	393124	2-29, 3-7, 3-11
390996	3-15, 3-21	392839	2-15	393125	2-41
391051	3-3	39284	2-13, 2-23	393129	2-47, 3-27, 3-40
391115	3-5	392840	2-31, 3-9, 3-13	393130	2-11
391146	2-33	392841	2-31, 3-9, 3-13	393133	2-33
391147	2-9	392842	2-3, 2-31, 3-9, 3-13	393134	2-15
391176	3-19, 3-25	392846	2-11	393135	2-13, 2-17
391257	3-3	392874	2-39	393143	2-53
391261	4-6	392877	2-15	393149	2-52
391262	4-6	392878	2-37	393150	2-39
391263	4-6	392881	2-43, 2-45	393151	2-27
391264	4-6	392882	2-31, 3-9, 3-13	393156	2-17
391265	4-6	392887	2-27	393159	2-52
391266	4-6	392891	2-52	393160	2-52
391271	4-6	392892	2-19	393164	2-29, 3-7
391274	4-6	392894	2-15	393165	3-11
391287	3-3	392895	2-17	39349	2-13, 2-17, 2-27, 3-40
391296	2-35	392896	2-15	39658	2-15
391297	2-53	392897	2-15	397644	3-29, 3-31, 3-33
391300	2-19	392901	2-37	397715	2-29, 3-7, 3-11
391304	2-9	392902	2-45	397889	2-15
391309	2-35	392904	2-29, 3-7, 3-11	397914	2-5
391317	2-37	392917	2-53	397916	2-7
391318	2-37	392933	3-17, 3-23	397974	2-5
391319	2-37	392934	2-45	397976	2-7
391327	3-19	392937	2-9	398501	2-15
391328	3-19	392946	3-5	40678-1	2-11
391330	3-23	392951	2-33	40678	2-37
391334	3-19	392952	2-33	40758	2-45
391338	2-33	392955	2-39	41178	2-19
391341	2-33	392962	3-29, 3-31, 3-33	41186	2-29, 3-7, 3-11

CROSS REFERENCE

Part Number	Page Number	Part Number	Page Number	Part Number	Page Number
41187	2-13	63248-4	2-7	86781	2-31, 3-9, 3-13, 3-17, 3-23
41360	3-15, 3-21	63416	2-45	86859	3-25
41430	2-23, 3-3	63810	3-5	86860	3-3, 3-19, 3-25
41578	2-33	63987-1	3-17, 3-23	86865	3-19, 3-25
41619	2-43	64173	3-19, 3-25	86866	2-27
44078	2-15	64425	3-3, 3-19, 3-25	87308	2-17
44681-1	3-29	65441	3-3	87435	2-41
44681-2	3-29	65665	2-15	87816	3-3
44681	3-29	65695	2-31, 3-9, 3-13	97031	2-23
44906	2-29, 3-7, 3-11, 3-19, 3-25	67767	2-9, 2-19		
44961	2-29, 3-7, 3-11, 3-15, 3-21	69234	2-9		
45272	3-29, 3-31	69461	2-11		
45283	3-29, 3-31	69582	3-19, 3-25		
45960	2-27	69785	3-5		
45962	3-36	71090	2-45		
46820	2-13	71211	2-45		
49225	2-19	71607	3-19, 3-25		
49263	3-29, 3-31, 3-33	71793	3-17, 3-23		
49266	2-33, 3-5	73342	3-5		
49694	3-40	73468	3-5		
49697	3-3	74455	2-23, 3-17, 3-23		
49800	2-33	75371	2-43		
49826	3-5	75611	2-33		
50269	2-27, 2-31, 2-43, 2-45, 3-9, 3-13, 3-17, 3-23	75934	2-23		
50682	2-27	76099	3-15, 3-17, 3-19, 3-21, 3-23, 3-25		
51109	2-23	76438	3-3		
51225-1	3-3	77347	3-3		
51534	2-27	78553	2-15		
54333	2-39, 3-7, 3-11, 3-17, 3-23	78840	3-5		
54745	2-23	78841	3-5		
55248	2-33, 3-5, 3-29, 3-31, 3-33	78842	3-5		
55845	2-23	79246	3-19, 3-25		
578441	2-37	79506	3-15, 3-21		
58484	2-11	80317	3-3		
58518	3-31	80318	3-3		
58519	3-31	81537	3-3		
58520	3-31	81538	3-3		
58979	2-35	81539	3-3		
59668	3-17, 3-23	81540	3-3		
603012	2-33	81541	3-3		
60386	4-3	81542	3-3		
607776	2-29	81580	3-40		
61297	4-3	81582	2-3, 2-47, 3-27		
61298	4-3	81672	2-23		
61300	4-3	81685	2-21		
621324	2-37	82138	2-47, 3-27		
626100	2-39	82829	2-17		
626121	2-39	82839	2-23		
630068	2-37	82889	2-31, 3-9, 3-13, 3-17, 3-23		
630394	2-37	83097	2-19, 2-27		
63245-1	2-29, 3-7, 3-11, 3-17, 3-23	83149	2-23		
63248-1	2-7	83332	3-3		
63248-2	2-7	83347	3-3		
63248-3	2-7	83348	3-3		
		86759	3-19, 3-25		
		86780	2-31, 3-9, 3-13, 3-17, 3-23		

PART DESCRIPTION TO PAGE NUMBER CROSS REFERENCE LIST

A

Actuator, 36vdc, 02.0stroke 300lb, 2-43
 Adaptor, Brush, 2-5, 2-7
 Alarm Assy, Backup, 12-48vdc
 82-102dba, 3-33, 3-35
 Angle Wldt, Stop, Side Sqge, Cyl, Head,
 3-19, 3-25
 Angle Wldt, Tool, Lift, Cyl, 28 Inch, 3-17,
 3-23
 Angle, Bracket, Tank, 2-37
 Angle, Lh, 2-31, 3-9, 3-13
 Angle, Rh, 2-31, 3-9, 3-13
 Angle, Rod, Prop, 2-11
 Arm Wldt, Brake, 2-21
 Arm Wldt, Lift, Mop, Lh, 3-3
 Arm Wldt, Lift, Mop, Rh, 3-3
 Arm, Link, Brake, Lh, 2-21
 Arm, Link, Brake, Rh, 2-21
 Arm, Mtg, Link, Lh Sqge, Cyl Head, 3-19,
 3-25
 Arm, Mtg, Link, Rh Sqge, Cyl Head, 3-19,
 3-25
 Armature, Assy, 250mm, 4-6
 Armature, 4-3

B

Battery, 06vdc, 244ah, Wet, 3-36
 Battery, 06vdc, 180ah, Maint Free, 3-37
 Bearing Assy, Cup/Cone, 2-19
 Bearing Be, 4-4
 Bearing, Ball, 0.59b 1.26d 0.35w, 3-15,
 3-21
 Bearing, Ball, 0.75b 1.38d 0.50w, 2-13
 Bearing, Ball, 0.98b 2.05d 0.59w, 2-25
 Bearing, Drive End, 4-5
 Bearing, Gearbox Side, 4-6
 Bearing, Motor Side, 4-6
 Bearing, Thrust, 2.75b 3.63d 0.13w, 2-19
 Bearing, Thrust, 3-3, 3-19, 3-25
 Bearing, 4-3, 4-4, 4-5
 Bellcrank, Lift, Sqge, 3-19, 3-25
 Belt, 15mm 05p 500l, 2-3
 Belt, Synchronous, 15mm 05p 500l [Gt2
 K], 3-15, 3-21
 Blade Assy, Sqge, Side [Linatex], 3-25
 Blade, Sqge, Front, 700mm, Oil-Rstn, 2-3
 Blade, Sqge, Front, 700mm, 2-3, 2-47
 Blade, Sqge, Front, 800mm, Oil-Rstn, 2-3,
 3-27
 Blade, Sqge, Front, Oil-Rstn, 700mm,
 2-47
 Blade, Sqge, Lh, 2-3, 2-31, 3-9, 3-13
 Blade, Sqge, Rear, 700mm, Oil-Rstn, 2-3
 Blade, Sqge, Rear, 700mm, 2-3, 2-47
 Blade, Sqge, Rear, 800mm Linatex, 3-27
 Blade, Sqge, Rear, 800mm, Oil-Rstn, 2-3,
 3-27
 Blade, Sqge, Rear, 800mm, 2-3

Blade, Sqge, Rear, Gum Rbr, 700mm, 2-3,
 2-47
 Blade, Sqge, Rear, Gum Rbr, 800mm, 2-3,
 3-27
 Blade, Sqge, Rear, Oil-Rstn, 700mm, 2-47
 Blade, Sqge, Rh, 2-3, 2-31, 3-9, 3-13
 Blade, Sqge, Front, 800mm Linatex, 3-27
 Blade, Sqge, Front, 800mm, 2-3
 Block, Centering, 2-45
 Block, Sqge, Adj, 2-45
 Bolt, Shld, .31d X 1.00, .25-20, 2-23
 Bolt, Shld, .50d X 4.25, .38-16, 2-27
 Boot, 90deg .50d .57d X .84, 2-41
 Bracket Wldt, Guide, Actuator, 2-27
 Bracket Wldt, Light, 3-29, 3-31, 3-33
 Bracket, Brake, Pivot, 2-21
 Bracket, Cable, 2-35
 Bracket, Fan End, 4-3
 Bracket, Fan, 2-35
 Bracket, Filter, 2-33
 Bracket, Guide, Hose, 3-17, 3-23
 Bracket, Keeper, 3-3
 Bracket, Link, Head, Disk, 2-31, 3-9, 3-13
 Bracket, Mtg, Motor, 3-15, 3-21
 Bracket, Pump, Es, 3-5
 Bracket, Retainer, Spring, 2-5, 2-7
 Bracket, Shield, 3-15, 3-21
 Bracket, Wheel, Sqge, Rear, 2-47, 3-27
 Brush Assy, Disk, Scb, 14.0 D, Nyl, 2-5
 Brush Assy, Disk, Scb, 14.0 D, Pyp, 2-5
 Brush Assy, Disk, Scb, 14.0 D, Super Abr,
 2-5
 Brush Assy, Disk, Scb, 16.0 D, Nyl, 2-7
 Brush Assy, Disk, Scb, 16.0 D, Pyp, 2-7
 Brush Assy, Disk, Scb, 16.0 D, Super Abr,
 2-7
 Brush Kit,, 4-4
 Brush Mechanism, 4-3
 Brush, Scb, 28l, 18 Sr, Abr, Spl, 2-5
 Brush, Scb, 28l, 18 Sr, Nyl, Spl, 2-5
 Brush, Scb, 28l, 18 Sr, Pyp Grout, Spl, 2-5
 Brush, Scb, 28l, 18 Sr, Pyp, Spl, 2-5
 Brush, Scb, 32l, 18 Sr, Abr, Spl, 2-7
 Brush, Scb, 32l, 18 Sr, Nyl, Spl, 2-7
 Brush, Scb, 32l, 18 Sr, Pyp Grout, Spl, 2-7
 Brush, Scb, 32l, 18 Sr, Pyp, Spl, 2-7
 Brush, 4-5
 Bumper Wldt, V-Mop, 3-3
 Bushing Assy, Flng, 2 Hole, 0.75b, Nyl,
 2-13
 Bushing, Flng, 0.44b 1.25d 0.25l, 2-23
 Bushing, Flng, 0.50b 0.59d 0.38l, 2-29,
 2-43, 3-3, 3-7, 3-11, 3-17, 3-23
 Bushing, Flng, 0.63b 0.75d 0.38l, 2-45
 Bushing, Sleeve, 0.50b 0.59d 0.38l, Stil,
 3-19, 3-25
 Bushing, Sleeve, 0.62b 0.72d 0.50l, Fgl,
 3-3
 Bushing, Sleeve, 0.63b 0.72d 0.38l, 3-19,
 3-25

C

Cable Assy, Battery, 04ga 2, 175a, 2-41
 Cable, Battery, 2-41
 Cable, Water Flow, [Ezrider Hp], 2-39
 Cable, 2-35
 Caliper, Brake, 4-6
 Cam, Adj, Sqge, 2-47, 3-27
 Cap, Axle, Vyl, 02.38d, 2-25
 Cap, Brush Holder, 4-5
 Chain, Coil, Str, #210, 06.9l 05 Link, 2-45
 Chain, Roller #35, .375 Pitch, 2-13
 Channel Wldt, Actuator, Mtg, 2-27
 Channel Wldt, Lift Tool, 2-29
 Channel Wldt, Lift, Lh, 3-3
 Channel Wldt, Lift, Rh, 3-3
 Channel Wldt, Mtg, Spring, 2-23
 Channel Wldt, Mtg, Tool, Lift, 2-27
 Channel Wldt, Sppt, 2-27
 Channel Wldt, Tool, Lift, Cyl [Ezrider],
 3-17, 3-23
 Channel Wldt, Tool, Lift, Disk [Ezrider],
 3-7, 3-11
 Channel, .18 0.50 0.03 29.0l, 3-17
 Channel, .18 0.50 0.03 33.0l, 3-23
 Channel, Brake, 2-21
 Channel, Input, Tool, Lift, 2-27
 Channel, Mtg, Brake, 2-23
 Channel, Sqge, Lower, 2-45
 Channel, Sqge, Upper, 2-45
 Charger, 36Vdc, 020A 50/60Hz, 3-38
 Clamp Hose .73-.77 2 Wire Blk, 2-29
 Clamp, Cable, Stil, 0.38d X 0.38w, 1h,
 3-29, 3-31, 3-33
 Clamp, Cable, Stil, 0.44d X 0.62w, 1h, 2-37
 Clamp, Cable, Stil, 0.56d X 0.38w, 1h, 2-9,
 2-19, 3-29, 3-31, 3-33
 Clamp, Cable, Stil, 0.63d X 0.75w, 1h, 2-17
 Clamp, Cable, Stil, 0.69d X 0.62w, 1h, 2-9,
 2-19
 Clamp, Cable, Stil, 0.88d X 0.62w, 1h, 2-11
 Clamp, Cable, Stil, 0.9x1.8 X 0.88w, 1h,
 2-9, 2-17
 Clamp, Cable, Stil, 1.00d X 0.62w, 1h, 2-9
 Clamp, Hose 1-5/16 To 2-1/4 Ss, 2-37
 Clamp, Hose, Wormdrive, 0.31-0.88d,
 2-39, 3-7, 3-11, 3-17, 3-23
 Clamp, Hose, Wormdrive, 0.56-1.06d, 3-5
 Clamp, Hose, Wormdrive, 1.56-2.50d,
 2-35
 Clamp, Hose, Wormdrive, 1.62-3.50d,
 2-37, 3-5
 Clamp, 4-3
 Clip, Hanger, Hose, 2-37
 Clip, Hose, Hanger, 2-37
 Collar, Locking, 2-43
 Comm. Bracket, 4-3
 Connector, 2 Conductor, 4-3, 4-4
 Connector, 2-Conductor, 4-5
 Connector, Anderson, 175a, Gray, 2-41
 Contact, Switch, 2-15
 Controller, Mach, 2-17

Cover, Tank, Trim [Nobles], 2-33
 Cover, Terminal, Battery, Pye, 3-36

D

Deflector, Water, 2-3, 3-15, 3-21
 Device, Centering, 2-5, 2-7
 Disc, 4-3
 Disk, Pad Driver, W/ Face, 14d, 2-5
 Disk, Pad Driver, W/ Face, 16d, 2-7
 Door, Brush, 3-15, 3-21
 Driver Assy, Pad. 14D, 2-5
 Driver Assy, Pad. 16D, 2-7
 Duct, Pvc, 0.40 X 0.75 0.40l, 2-19

E

Endbell, Brush End, Motor-Ele, 4-5

F

Fan Assy, Vacuum (See Breakdowns), 2-35
 Fan, Vacuum, 4-3
 Fan, 4-3
 Filter, Fan, 2-33
 Fitting, Grease, Str Pm04 .47l, 2-19
 Fitting, Plstc, E90, Bm08/Bm08, 3-17, 3-23
 Fitting, Plstc, E90, Bm10/Pm12, 3-5
 Fitting, Plstc, E90, Pm12/Pf12, 3-5
 Fitting, Plstc, Plug, Pm12, 2-33
 Fitting, Plstc, Str, Bm08/Bm08, 2-39
 Fitting, Plstc, Str, Bm10/Pm12, 3-5
 Fitting, Plstc, Str, Pf12/Pf12, 3-5
 Fitting, Plstc, Str, Pm12/Pm12 03.0l, 3-5
 Fitting, Plstc, Str, Spcl, 12pm/10cf, 2-39
 Fitting, Plstc, Tee, Bm08/Bm08/Bm08, 2-29, 3-7, 3-11, 3-17, 3-23
 Flap, Strainrelief, 2-19
 Flapper, Valve, 3-5
 Frame Wldt, Linkage, Sqge, 2-45
 Frame Wldt, Micro Scrubber, 2-9
 Frame Wldt, Mop, V, 3-3
 Frame Wldt, Sqge, Lh, Cyl, 3-25
 Frame Wldt, Sqge, Side, Lh, 3-19
 Frame Wldt, Sqge, Side, Rh, 3-19
 Frame, Casting, Sqge, 700mm, 2-47
 Frame, Casting, Sqge, 800mm, 3-27
 Frame, Side Squeegee Rh, 3-25
 Fuse, 125 Amp, 58vdc, 2-17
 Fuse, Blade, 10a, 58vdc, 2-52

G

Gasket, Check, Valve, 3-5
 Gasket, Hourmeter, 2-15
 Gasket, Shield, 2-3, 3-15, 3-21
 Gauge, Battery, 2-15
 Gauge, Hourmeter, Electronic, 2-15
 Gearbox, Wheel, Front, 250mm (See Breakdowns), 2-19

Gearbox, Wheel, Front, 250mm, 4-6
 Grommet, Rbr, 0.62id, F/ 0.9h, .12matl, 3-29, 3-31
 Grommet, Rbr, 0.89id, F/ 1.2h, .14matl, 2-23
 Grommet, Rbr, 1.31id, F/ 1.6h, .12matl, 2-27, 2-41
 Guard Wldt, Light, Revl/Flsh, 3-29, 3-31
 Guard, Belt, Drive, Scrbr Head, Lh, 3-15, 3-21
 Guard, Belt, Lh, 3-15, 3-21
 Guard, Belt, Rh, 3-15, 3-21
 Guide Wldt, Linkage, Sqge, 2-43
 Guide, Side Sqge, 3-19, 3-25

H

Handle, Hood, 2-11
 Harness, Pedal, 2-23
 Harness, Switch, Seat, 2-11
 Harness, Wire [Ez Rider Hp], 2-52
 Harness, Wire, Es Pump, 2-52
 Harness, Wire, Hourmeter, Jumper, 2-52
 Harness, Wire, Traction Motor, 2-19
 Head Wldt, Scb, Disk, 700mm, 2-29, 3-7
 Head Wldt, Scb, Disk, 800mm, 3-11
 Hinge, .25pin .08 3.5w 13.0l 4/.25slot, 2-33
 Hinge, .25pin .12 3.0w 03.0l 4/0.28slot, 2-11
 Horn, 12-48 Vdc, 2-9
 Hose, Drain, 1.50id X32.0l Scrubber, 2-37
 Hose, Drain, 2-37
 Hose, Pvc, Brd 0.62id 0.88od 06.50l, 3-5
 Hose, Pvc, Brd 0.62ld 0.88Od 30.00L, 3-5
 Hose, Pvc, Brd, 0.50ld, 0.73Od, 15.0L, 2-39
 Hose, Pvc, Brd, 0.50id, 0.73od, 21.0l, 2-39
 Hose, Pvc, Clr, 0.50id 0.69od 01.50l, 3-17, 3-23
 Hose, Pvc, Clr, 0.50id 0.70od 05.0l, 2-29, 3-7, 3-11
 Hose, Pvc, Clr, 0.50id 0.70od 07.0l, 2-29, 3-7, 3-11
 Hose, Pvc, Clr, 0.50id 0.70od 26.0l, 2-29, 3-7, 3-11
 Hose, Vacuum, 2-3, 2-33
 Housing Assy, Steering [7100/Ez Rider], 2-13
 Housing Assy, Wheel [7100/Ez Rider], 2-25
 Housing Wldt, Quick-Mop, 3-3
 Housing, Cyl, Mach 28, 3-17, 3-23
 Housing, 4-3
 Hub, Drive, Brush, 2-29, 3-7, 3-11

I

Insulation, Acstc, 2-33
 Insulator, Mtg, Fuse, 2-17

J

Joint U, 2-13

K

Key Square 0.25 0.25 01.00 Lg, 4-4
 Key, Replmt, 2-15
 Key, Sq, 0.12 X 0.12, 01.00l, 4-5
 Key, Sq, 0.19 X 0.19, 01.00l, 2-13
 Key, Sq, 0.25 X 0.25, 00.75l, 2-29
 Kit, Brace, 4-5
 Kit, Brush, Cover, 4-6
 Kit, Brush, Motor, 4-6
 Kit, Brush, 4-5
 Kit, Ci, Alarm, Backup, W/ Bracket, 3-33
 Kit, Ci, Alarm, Backup, W/O Bracket, 3-35
 Kit, Ci, Battery, 36vdc, 244ah Wet, 3-36
 Kit, Ci, Light, Flsh [Ezhp/7080], 3-31
 Kit, Ci, Light, Revl [Ezhp/7080], 3-29
 Kit, Ci, Scrubhead, 700mm, 2-29, 3-7
 Kit, Ci, Scrubhead, 800mm, 3-11
 Kit, Ci, Sqge Assy, Rear, 700mm[Ez/7080], 2-47
 Kit, Ci, Sqge Assy, Rear, 800mm[Ez/7080], 3-27
 Kit, Ci, Sqge, Linatex, 700mm[Ez/7080], 2-47
 Kit, Ci, Sqge, Linatex, 800mm[Ez/7080], 3-27
 Kit, Ci, V-Mop, 3-3
 Kit, Ci, Wheel, Corner, 3-40
 Kit, Di, Es [Ezrider Hp/7080], 3-5
 Kit, Motor Bearing, 4-5
 Kit, Replmt, Actuator, 2-27
 Kit, Sqge, Oil-Rstn, 700mm, 2-3, 2-47
 Kit, Sqge, Oil-Rstn, 800mm [7100], 3-27
 Kit, Sqge, Oil-Rstn, 800mm, 2-3
 Kit, Sqge, Tile, 700mm, 2-3, 2-47
 Kit, Sqge, Tile, 800mm [7100], 3-27
 Kit, Sqge, Tile, 800mm, 2-3
 Kit, Tray, Debris, 28 In, 3-17, 3-23
 Kit, Valve, Check, 3-5
 Knob Assy, Rnd, 1.00d 0.50l .25-20 1.5l, 3-27
 Knob, 4-Prong W/.31-18, Insert, 2-47
 Knob, Rnd, . D . L, 2-33
 Knob, Rnd, 0.71d 0.75l 0.25b Plstc, 2-39
 Knob, Star, 2.8 4ear 1.1l .31-18 Plstc, 3-27
 Knob, 2-45, 2-47

L

Label Set, Info/hzrd, 2-53
 Label, [Quick Mop], 3-3
 Label, Instmt [Ezrider Hp], 2-53
 Label, Std Opertnl, 2-53
 Lamp Assy, Flsh , 3-31
 Lamp Assy, Revl , 3-29
 Lamp, 40vdc, 0.9a, 3-29, 3-31
 Latch, Door, 3-3
 Latch, 2-31, 2-33, 3-9, 3-13

CROSS REFERENCE

Lens, Amber, Light, Flsh, 3-31
Lens, Amber, Light, Revl, 3-29
Lens, Blue, Light, Flsh, 3-31
Lens, Blue, Light, Revl, 3-29
Lens, Red, Light, Flsh, 3-31
Lens, Red, Light, Revl, 3-29
Light, Panl, 36vdc, 1.1 X 1.0, 2-15
Link, Balljoint, .38-24, 10.5l, 2-43, 2-45
Link, Balljoint, M10 X 1.5, 11.0l, 2-31, 3-9, 3-13
Link, Brake, 2-21
Link, Chain, Roller, #35, 2-13
Lip, Debris Tray, 28in, 3-17
Lip, Debris Tray, 32 In, 3-23

M

Manual Pkg, [Ez Rider Hp Ele Na], 3-41
Manual, Fiche, [Ez Rider Hp Ele], 3-41
Manual, Oprtr, [Ez Rider Hp Ele Es Na], 3-41
Manual, Oprtr, [Ez Rider Hp Ele Fr Na], 3-41
Molding, Trim, .08-.11 10.00, 2-9
Molding, Trim, .08-.11 19.00, 2-11
Molding, Trim, Pvc, .08-.11 04.75l, 3-3
Mop, Dust, Industrial, 3-3
Mop, Dust, 3-3
Motor Assy, Ele, 36Vdc, 0.75Hp (See Breakdowns), 3-15, 3-21
Motor Assy, Ele, 36Vdc, 0.75Hp, 1700Rpm, 4-5
Motor, 36 Vdc, 0.8Hp, 320 Rpm, 4-4
Motor, Ele, 36vdc, 0.50hp, 0320rpm, 2-29
Motor, Ele, 36vdc, 0.80hp, 0320rpm (See Breakdowns), 3-7, 3-11
Mount, Cable Tie, 2-33, 3-5, 3-29, 3-31, 3-33
Muffler, Vacuum Fan, 2-35

N

Nut, Hex, Flexlock, .31-18, 2-41
Nut, Hex, Flng, M06 X 1.0, 2-11
Nut, Hex, Flng, M08X1.25, 2-11
Nut, Hex, Jam, .38-24, Lh, 2-31, 3-9, 3-13, 3-17, 3-23
Nut, Hex, Jam, .38-24, 2-31, 3-9, 3-13, 3-17, 3-23
Nut, Hex, Lock, .25-20, NI, 2-23
Nut, Hex, Lock, .31-18, NI, 2-11
Nut, Hex, Lock, .38-16, NI, Thin, 2-27
Nut, Hex, Lock, .38-24, NI, Ss, 2-27, 2-31, 2-43, 2-45, 3-9, 3-13, 3-17, 3-23
Nut, Hex, Lock, .38-24, NI, Thin, 2-43
Nut, Hex, Lock, .50-13, NI, Ss, 3-19, 3-25
Nut, Hex, Lock, M04 X 0.7, NI, 2-23, 3-3
Nut, Hex, Lock, M05 X 0.8, NI, 2-17
Nut, Hex, Lock, M05X0.8, NI, 2-11
Nut, Hex, Lock, M06 X 1.0, NI, Ss, 2-9, 2-19, 2-21, 2-29, 2-35, 2-39, 2-45, 3-7, 3-11, 3-17, 3-23

Nut, Hex, Lock, M06 X 1.0, NI, 2-11, 2-15, 2-21, 3-29, 3-31, 3-33, 3-35
Nut, Hex, Lock, M08 X 1.25, NI, Ss, 2-45, 2-47, 3-15, 3-21, 3-27
Nut, Hex, Lock, M08 X 1.25, NI, 2-13, 2-17, 3-3
Nut, Hex, Lock, M10 X 1.5, NI, Ss, 2-31, 3-9, 3-13
Nut, Hex, Lock, M10 x 1.5, NI, Ss, 2-27
Nut, Hex, Lock, M10 X 1.5, NI, 2-23, 3-3
Nut, Hex, Lock, M12 X 1.75, NI, 2-13
Nut, Hex, Sltld, 1.25-12, 2-19
Nut, Hex, Std, M03 X 0.5, 2-15
Nut, Hex, Std, M08 X 1.25, 3-3
Nut, Hex, Std, M10 X 1.5, 3-3
Nut, Isolator, .25-20 Wall Thk .187-.343, 3-29, 3-31, 3-33
Nut, Speed, Clip, .25-20 [.025-.150], 3-27
Nut, Speed, Retainer, .25-20, 2-47
Nut, T, M 10 X1.5 0.623od .516lg, 3-19, 3-25
Nut, T, M8x1.25 X0.498od, 0.516lg, 3-19, 3-25
Nut, Wheel, .44-20 X 60 Angle, 2-25
Nut, 4-3

O

Oil Seal, 4-4

P

Pad, Buff, 14.0d, Red, 2-5
Pad, Buff, 16.0d, Red, 2-7
Pad, Polish, 16.0d, White, 2-7
Pad, Polish, 14.0d, White, 2-5
Pad, Scrub, 14.0d, Blue, 2-5
Pad, Scrub, 16.0d, Blue, 2-7
Pad, Strip Hd, 14.0d, Black, 2-5
Pad, Strip Hd, 16.0d, Black, 2-7
Pad, Strip, 14.0d, Brown, 2-5
Pad, Strip, 16.0d, Brown, 2-7
Pad, 2-23
Panel, Front, 2-11
Panel, Instmt [Ezrider Hp/7080], 2-15
Panel, Tank, Filler, Plstc, 2-9
Pedal Assy, Foot, 2-23
Pedal Wldt, Brake, 2-23
Pedal, Brake, Lock, 2-23
Pin, Brake, 2-21
Pin, Clevis, 0.19 D X 1.00l, 2-21
Pin, Clevis, 0.31 D X 1.00l, 3-19, 3-25
Pin, Clevis, 0.37 D X 0.75l, 3-3, 3-19, 3-25
Pin, Clevis, 0.37 D X 1.50l, 2-23, 2-43
Pin, Clevis, 0.37 D X 1.75l, 2-27
Pin, Clevis, 0.37 D X 3.00l, 2-47, 3-27
Pin, Clevis, 0.50 D X 2.00l, 2-27
Pin, Clevis, 0.50 D X 2.25l, 2-27
Pin, Clevis, 0.50 D X 3.50l, 2-43
Pin, Clevis, 0.50 D X 3.75l, 2-23
Pin, Clevis, 0.50 D X 4.00l, 2-27, 2-29, 3-7, 3-11

Pin, Clevis, 0.50 D X 4.50l, 3-17, 3-23
Pin, Clevis, 0.50 D X 4.75l, 2-31, 3-9, 3-13
Pin, Clevis, 0.50 D X 6.00l, 3-3
Pin, Cotter, .062 X 0.50, 2-21
Pin, Cotter, .094 X 0.75, 2-23, 2-43, 2-47, 3-27
Pin, Cotter, .125 X 1.00, 2-23, 2-43
Pin, Cotter, .125 X 1.25, 2-31, 3-9, 3-13
Pin, Hair Cotter, 0.38 D .072 Wir, 2-27
Pin, Hair Cotter, 0.43 D .079 Wir, 3-17, 3-23
Pin, Hair Cotter, 0.62 D .120 Wir, 2-27, 3-3
Pin, Hair Cotter, 0.69 D .092 Wir, 2-29, 3-7, 3-11, 3-19, 3-25
Pin, Roll, .090 D 0.25l, .094/.097, 3-15, 3-21
Pivot Wldt, Actuator, 2-43
Plate Wldt, Mtg, Wheel, 3-40
Plate Wldt, Swivel, 2-19
Plate Wldt, Tool, Lift, Cyl, 3-17, 3-23
Plate, Adapter, Wheel, 2-19
Plate, Latch, 3-3
Plate, Mounting, Tool Lift, Sc, 3-17, 3-23
Plate, Mtg, Light, 2-15
Plate, Retainer, Blade, 700mm, 2-47
Plate, Retainer, Blade, 800mm, 3-27
Plate, Seat W/Labels, Blk, 2-11
Plate, Sppt, Gauge, Battery, 2-15
Plate, Swivel, Bottom, 2-19
Plug Assy, Drive, Brush, 3-15, 3-21
Plug Assy, Idler, Brush, 3-15, 3-21
Plug Expansion 1-1/2"Dia, 2-37
Plug, Drive, Brush, 3-15, 3-21
Plug, Expansion, 2.00 Dia, 2-37
Plug, Idler, Brush, 3-15, 3-21
Plug, Tank, Solution, 2-37
Pump, Solution, Impeller, 36vdc, 3-5

R

Rail, 2-11
Retainer Wldt, Sqge, 700mm, 2-47, 3-27
Retainer, Lh, 2-31, 3-9, 3-13
Retainer, Rh, 2-31, 3-9, 3-13
Retainer, Sqge, 3-19, 3-25
Ring, Mtg, Sqge, 2-47, 3-27
Ring, Retaining, Ext, 0.59d, Basic, 3-15, 3-21
Ring, Retaining, Ext, 1.00d, Basic, 2-25
Ring, Snap, 4-5
Rod Wldt, Prop, 2-11
Rod, Lift, Sqge, 2-43
Rod, Thrd, 2 End, .38-24 09.0l Lh/Rh, 2-31, 3-9, 3-13, 3-17, 3-23
Rod-End, .38-24lh Fem 0.38-24stud, 2-31, 3-9, 3-13, 3-17, 3-23
Rod-End, .38-24rh Fem 0.38-24stud, 2-31, 3-9, 3-13, 3-17, 3-23
Roller, Linkage, Head, 2-31, 3-9, 3-13
Rotor, Brake, 14mm, 4-6

S

- Screen, Drain, 2-39
 Screen, Fan Inlet, 2-35, 4-3
 Screw, Btn, M12 X 1.75 X 25, 10.9 NI, 2-19, 2-27
 Screw, Btn, M6 X 1.0 X 20, Blk, 2-15
 Screw, Btn, M8x 1.25 X 20, Blk, 2-13, 2-17
 Screw, Flat, M06 X 1.0 X 16, 10.9, 2-21
 Screw, Flat, M08-1.25x 20, Ss, 3-19, 3-25
 Screw, Flat, M08-1.25x 30, Ss, 3-15, 3-21
 Screw, Flat, M10 X 1.5 X 20, Ss, NI, 3-15, 3-21
 Screw, Flat, M10 X 1.5 X 20, Ss, 3-19, 3-25
 Screw, Hex, .25-20 X 0.62, Ss, 2-9
 Screw, Hex, .25-20 X 0.75, Ss, 2-29
 Screw, Hex, .25-20 X 1.25, Sems, 3-29, 3-31, 3-33
 Screw, Hex, .31-18 X 0.75, Ss, 2-29, 3-7, 3-11
 Screw, Hex, .38-16 X 0.75, Ss, 3-7, 3-11
 Screw, Hex, .50-13 X 5.00, 5, 3-19, 3-25
 Screw, Hex, M04 X 0.7 X 20, 8.8, 2-23
 Screw, Hex, M05 X 0.8 X 16, Fmg, 2-23
 Screw, Hex, M06 X 1.0 X 12, 8.8, 2-17
 Screw, Hex, M06 X 1.0 X 12, Fmg, 2-23, 3-17, 3-23
 Screw, Hex, M06 X 1.0 X 16, Fmg, 2-9, 2-19
 Screw, Hex, M06 X 1.0 X 16, Ss, 2-19, 2-33, 3-15, 3-21
 Screw, Hex, M06 X 1.0 X 20, 8.8, 2-11, 3-29, 3-31, 3-33, 3-35
 Screw, Hex, M06 X 1.0 X 20, NI, 2-23
 Screw, Hex, M06 X 1.0 X 20, Ss, 2-9, 2-21, 2-29, 2-35, 2-39, 3-7, 3-11
 Screw, Hex, M06 X 1.0 X 25, Fmg, 2-19
 Screw, Hex, M06 X 1.0 X 25, Ss, 2-31, 2-45, 3-9, 3-13, 3-17, 3-23
 Screw, Hex, M06 X 1.0 X 40, Ss, 2-35
 Screw, Hex, M06 X 1.0 X 55, Ss, 2-35
 Screw, Hex, M06 X 1.0 X 80, Ss, 2-35
 Screw, Hex, M08 X 1.25 X 16, Ss, NI, 3-5
 Screw, Hex, M08 X 1.25 X 20, 8.8, 2-9, 2-11
 Screw, Hex, M08 X 1.25 X 20, Ss, NI, 2-33, 2-37, 2-43
 Screw, Hex, M08 X 1.25 X 20, Ss, 2-9, 2-33, 2-35, 2-37, 2-43, 2-45, 3-15, 3-21, 3-40
 Screw, Hex, M08 X 1.25 X 25, 8.8, 2-27
 Screw, Hex, M08 X 1.25 X 25, Fmg, 3-15, 3-17, 3-19, 3-21, 3-23, 3-25
 Screw, Hex, M08 X 1.25 X 25, Ss, 2-45
 Screw, Hex, M08 X 1.25 X 30, Ss, 3-17, 3-23
 Screw, Hex, M08 X 1.25 X 35, Ss Fl, 3-15, 3-21
 Screw, Hex, M08 X 1.25 X 45, Ss, 2-47, 3-27
 Screw, Hex, M08 X 1.25 X 50, Ss, 3-40
 Screw, Hex, M08 X 1.25 X 55, Ss, 2-19
 Screw, Hex, M08 X 1.25 X 60, 8.8, 2-9
 Screw, Hex, M08 X 1.25 X 60, Fl, 3-3
 Screw, Hex, M08 X 1.25 X 60, Ss, 2-21
 Screw, Hex, M08 X 1.25 X 70, Ss, 2-47, 3-27
 Screw, Hex, M10 X 1.5 X 20, Ss, NI, 2-31, 3-9, 3-13
 Screw, Hex, M10 X 1.5 X 35, 8.8, 2-13, 2-23
 Screw, Hex, M10 X 1.5 X 35, Ss, 3-3
 Screw, Hex, M10 X 1.5 X 45, 8.8, 2-19
 Screw, Hex, M10 X 1.5 X 50, 8.8, 2-19
 Screw, Hex, M10 X 1.5 X 90, Fl, 3-3
 Screw, Pan, .31-18 X 0.75, 2, 2-11
 Screw, Pan, #12-16 X 0.50, F/Plstc, 2-9, 3-29, 3-31, 3-33
 Screw, Pan, #12-16 X 0.50, F/Plstc, 2-15
 Screw, Pan, M 6 X 1.0 X 12, Ss, 2-11
 Screw, Pan, M 6 X 1.0 X 20, 4.8, 2-11
 Screw, Pan, M03 X 0.5 X 12, 4.8, 2-15
 Screw, Pan, M04 X 0.7 X 10, Ss, 3-3
 Screw, Pan, M04 X 0.7 X 20, Ss, 3-3
 Screw, Pan, M04 X 0.7 X 35, Ss, 2-5, 2-7
 Screw, Pan, M04x0.7 X 8, Ss, 2-33
 Screw, Pan, M05 X 0.8 X 35, 4.8, 2-17
 Screw, Pan, M06 X 1.0 X 40, 4.8, 2-41
 Screw, Pan, M08 X 1.25 X 20, 4.8, 2-15
 Screw, Set, .31-18 X 0.38, NI, 2-13
 Screw, Set, #08-32 X 0.25, NI, 3-15, 3-21
 Screw, 4-3
 Seal, Fan, 2-3, 2-35, 4-3
 Seal, Felt, .19th, 4.3d 04.0h, 2-19
 Seal, Foam, 2-15
 Seal, Ring, 3-15, 3-21, 4-6
 Seal, Tank, Recvy, 2-3, 2-33
 Seal, Tank, Soltn, 2-3, 2-33
 Seal, 4-5
 Seat, Michigan, Model V-1500, 2-11
 Sensor, Level, Liquid [Magnetic], 2-33, 3-5
 Sensor, Pedal Position, 2-23
 Shaft, Drive Plug, 3-15, 3-21
 Shaft, Idler Plug, 3-15, 3-21
 Shaft, Steering, Upper, Mach, .75d 24.1l, 2-13
 Shaft, W/ Sprocket, Steering, 2-13
 Shell, 4-3
 Shroud, Front, Trim, 2-9
 Skirt, Front, Scb, Disk, 28 Inch, 2-3, 2-29, 3-7
 Skirt, Front, Scb, Disk, 32 Inch, 2-3, 3-11
 Skirt, Rear, Scb, Disk, 28 Inch, 2-3, 2-29, 3-7
 Skirt, Rear, Scb, Disk, 32 Inch, 2-3, 3-11
 Skirt, 3-17, 3-23
 Sleeve, .50id X .62od X 1.31l, 2-27
 Sleeve, Fuse, Controller, 2-17
 Sleeve, Hose, Drain, 1.5id Copp, 2-37
 Sleeve, P/M, 0.437d 0.318b 1.15l 430ss, 2-47, 3-27, 3-40
 Sleeve, 2-35
 Spacer, .41b .63d .13l, Ss 430pm, 2-43
 Spacer, .41b X .63od X .38l, 2-19, 2-41, 2-45
 Spacer, Battery 1.50x4.75x7.5, 3-36, 3-37
 Spacer, Battery, 3-37
 Spacer, Foam, 3-36
 Spacer, Spring, 3-3
 Spacer, 3-3, 4-3
 Spring, Centering, 2-45
 Spring, Cmpr, .37id X Flat Wir 1.0l, 2-23
 Spring, Cmpr, 0.84od .11wir 2.0l, 2-27
 Spring, Cmpr, 0.98od .14wir 2.5l, 2-27
 Spring, Extn, 0.38od X 0.04wir, 2.3l, 2-23
 Spring, Extn, 0.50od X 0.04wir, 3.0l, 2-23
 Spring, Extn, 0.50od X 0.05wir, 8.0l, 2-19
 Spring, Extn, 0.62od X 0.08wir, 3.0l, 3-3, 3-19, 3-25
 Spring, Extn, 0.75od X 0.09wir, 2.5l, 3-3
 Spring, Extn, 1.00od X 0.12wir, 5.0l, 2-45
 Spring, Flt, Door, Scrbr Head, 3-15, 3-21
 Spring, Tors, 2.36id .18wir 07.5coil, 3-3
 Spring, Wir, 0.08d, Brake, Parking, 2-23
 Spring, Wir, 0.16d, Brush Retaining, 2-5, 2-7
 Spring, 4-3
 Sprocket, Steering, Drive, 2-19
 Sprocket, Timing, 22tooth, 0.50b, [Gt/2], 3-15, 3-21
 Squeegee Assy, Side, 3-19
 Stationary Fan, 4-3
 Strainer, Soltn, 20mesh Cyl 4.0d 8.0l, 3-5
 Strainer, Soltn, Switch Guard, 2-33, 3-5
 Strap Drain Hose 170/443/E17, 2-37
 Strap, Hose, Drain, 2-37
 Strip, Cover, Shroud, Front, 2-9
 Strip, Debris Tray, 3-17, 3-23
 Strip, Retainer, Skirt, Front, 28 Inch, 2-29, 3-7
 Strip, Retainer, Skirt, Front, 32 Inch, 3-11
 Strip, Retainer, Skirt, Rear, 28 Inch, 2-29, 3-7
 Strip, Retainer, Skirt, Rear, 32 Inch, 3-11
 Strip, 3-40
 Support Wldt, Seat, 2-11
 Switch, Key, 2-15
 Switch, Push, 12vdc 80a Spst No, 2-15
 Switch, Rocker, 36vdc, 05a Dpst On/Off/On, 2-15
 Switch, Rocker, Dpst, 2-15
 Switch, Rocker, Hole Plug, 2-15
 Switch, Seat, Nc, 2-11
 Switch, 2-15

CROSS REFERENCE

T

Tank, Recvy, W/ Es, Afmkt [Ezrider Hp],
2-33
Tank, Recvy, W/O Es, Afmkt [Ezrider Hp],
2-33
Tank, Soltn, Trim [Ezrider Hp], 2-37
Terminal Female Metri-Pack, 4-4
Terminal, Female, 4-3, 4-5
Tie, Cable, Nyl 07.3L .19W 1.8 Max D,
2-33
Tie, Cable, Nyl, 07.3L .19W 1.8 Max D,
3-5
Tie, Cable, Nyl, 11.4l .19w 3.0 Max D,
3-29, 3-31, 3-33
Tie, Cable, Nyl, 14.5L .30W 4.0 Max D,
2-29, 3-7, 3-11
Tie, Cable, Nyl, 14.5l .30w 4.0 Max D,
3-15, 3-21
Tire Assy, Solid, 12.3x3.5 3.5bc/3bolt,
2-25
Tire, Solid Rear Non Mark 12X3, 3-39
Tire, Solid, 250mm x 90mm Grey Pyu, 4-6
Tray, Battery, Lh, 2-41
Tray, Battery, Rh, 2-41
Tray, Debris, 32 Inch, 3-23
Tray, 3-17
Tread, Non-Skid, 02.2w 11.5l, 2-23
Tread, Non-Skid, 14.0 9.6, 2-9
Tube, Pye, 0.50Od 0.38ld 3.0L, 2-39

V

Vacuum Fan, 4-3
Valve, Check, 3-5
Valve, Solution Fr Use 603954, 2-39

W

Washer, 0.31b 0.88d .12, Rbr, 2-45
Washer, 0.38b 0.88d .12, Stl, Pl, 2-11
Washer, 0.38b 1.25d .12, Neo, 2-47, 3-27
Washer, 0.40b 1.12d .12, Stl, Pl, 2-9,
2-33, 2-37
Washer, 0.47b 1.19d .03, Nyl, 4-5
Washer, 0.53b 1.88d .12, Stl, Pl, 2-47,
3-27
Washer, Belleville, .31, 2-29, 3-7, 3-11
Washer, Belleville, .38, 2-13
Washer, Flat, .25 Sae, 2-15, 2-17
Washer, Flat, .25 Ss, 2-31, 2-33, 2-39, 3-7,
3-9, 3-11, 3-13
Washer, Flat, .25 Std, 2-19
Washer, Flat, .31 Sae, 2-17, 3-40
Washer, Flat, .31 Ss, 2-15, 2-33, 2-37, 3-5,
3-27, 3-40
Washer, Flat, .38 Ss, 2-31, 3-7, 3-9, 3-11,
3-13, 3-17, 3-23
Washer, Flat, .50 Sae, 2-27
Washer, Flat, #06 Ss, 2-33
Washer, Flat, #08, 2-23
Washer, Flat, #10 Sae, 2-11, 2-17
Washer, Flat, 0.25 Fender, 2-19

Washer, Flat, M12, 13x24x2.5ss, 3-19,
3-25
Washer, Flt, .25 Sae, 2-9, 2-11, 2-19, 2-23,
3-29, 3-31, 3-33, 3-35
Washer, Flt, .25 Ss, 2-9, 2-35, 2-45, 3-15,
3-17, 3-21, 3-23
Washer, Flt, .31 Sae, 2-13, 2-27
Washer, Flt, .31 Ss, 2-19, 2-21, 2-35, 2-41,
2-43, 2-45, 2-47, 3-15, 3-17, 3-21,
3-23
Washer, Flt, .31 Std, 2-11, 3-3, 3-29, 3-31,
3-33
Washer, Flt, .38 Ss, 2-27, 2-45, 3-3
Washer, Flt, .38 Std, 2-23, 3-3
Washer, Flt, .50 Sae, 2-23, 2-27, 2-29, 3-7,
3-11, 3-17, 3-23
Washer, Flt, .50 Ss, 2-43
Washer, Flt, .50 Std, 2-13
Washer, Flt, #10, 2-23
Washer, Flt, 25 Ss, 2-29
Washer, Lock, Int, .25, 2-17
Washer, Lock, Int, #04, 2-15
Washer, Neo., 4-3
Washer, Spring, 4-5
Washer, Switch, Key, 2-15
Washer, Thrust, 0.61b 1.25d .06, Fgl, 3-3,
3-19, 3-25
Washer, Thrust, 2-19
Washer, 2-19, 4-3
Weight, Soltn Hose, 2-39
Wheel Assy, Sqge, 2-3, 2-47, 3-27
Wheel, 3.0d 0.87w 0.44b, 2-3, 2-47, 3-27
Wheel, 4.0d 0.87w 0.44b, 3-40
Wheel, Steering, 14.0d, Taper Bore, 2-13
Wire Assy, Jumper Reverse, 3-15, 3-21
Wire, 04ga 08.0l Blk .34ring /.34ring, 2-41
Wire, 04ga 12.0l Blk .34ring /.34ring, 2-41