



E85507-00



FiberPro® AIR MOVER



Operator and Parts Manual

1001 Brown Avenue • Toledo, Ohio 43607-0127
Customer Service: 888-GO-BETCO • Fax: 800-445-5056 • Technical Service: 877-856-5954 • www.betco.com

General Instructions for the FiberPRO® AIR MOVER

READ AND UNDERSTAND ALL WARNINGS AND INSTRUCTIONS BEFORE USING THIS MACHINE!

Grounding Instructions:

This machine must be grounded. If it should malfunction or break down, grounding provides a path of least resistance for electric current to reduce the risk of electric shock. This machine is equipped with a cord having an equipment grounding conductor and grounding plug. The plug must be inserted into an outlet that is properly installed and grounded in accordance with all local codes and ordinances.



WARNING! - Improper connection of the equipment-grounding conductor can result in a risk of electric shock. Check with a qualified electrician or service person if you are in doubt as to whether the outlet is properly grounded. Do not modify the plug provided with the machine - if it will not fit the outlet have a proper outlet installed by a qualified electrician.

This machine is for use on a nominal 120 Volt circuit, and has a grounded plug that is configured like the plug illustrated in Figure 1. A temporary adapter that looks like the adapter illustrated in Figure 2 and Figure 3 may be used to connect this plug to a 2-pole receptacle as shown in Figure 2 if a grounded outlet is not available. The temporary adapter should be used only until a grounded outlet (Figure 1) can be installed by a qualified electrician. The green colored rigid ear, lug, or the like extending from the adapter must be connected to a permanent ground such as a grounded outlet box cover. Whenever an adapter is used, it must be fastened in place with a metal screw. This machine is designed to operate on a standard 15 amp, 120 Volt, 60 Hz, AC circuit. Voltages below 105 Volts AC or above 125 Volts AC could cause serious damage to the motor.

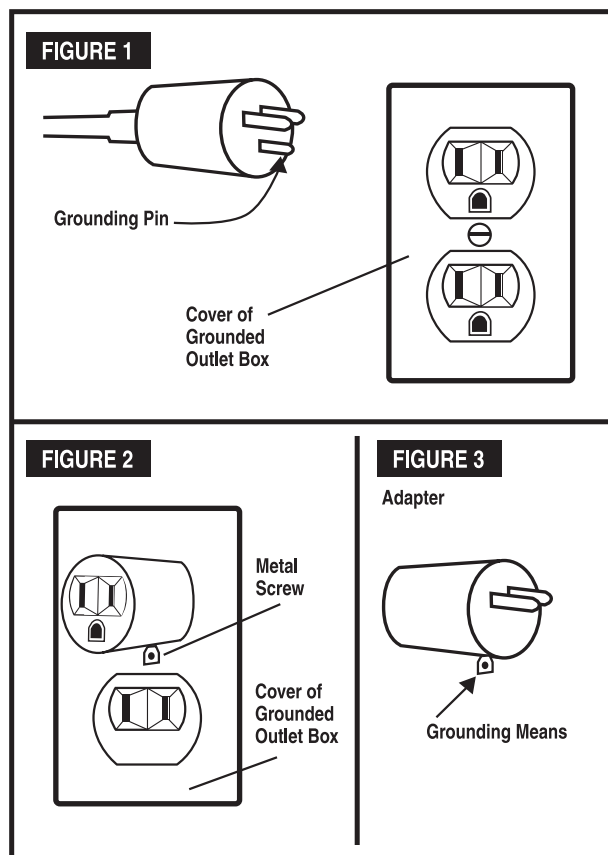
NOTE: In Canada, the use of a temporary adapter is not permitted by the Canadian Electrical Code

Extension Cords

Use only three-wire 16/3 or larger gauge approved extension cords that have three prong grounding type plugs and three pole receptacles that accept the air mover's plug. Extension cords should not exceed 50 feet in length. Replace or repair any damaged cords or plugs.



WARNING! - For the safe operation of this machine follow the instructions given in this booklet and the training given by your supervisor. Failure to do so can result in personal injury and/or damage to machine and property!



WARNING! - DO NOT OPERATE MACHINE IN AN EXPLOSIVE ENVIRONMENT!

Safety

WARNING! - To reduce the risk of fire, electric shock, or injury:

1. Read the manual carefully and completely before attempting to operate the unit. This manual has important information for the use and safe operation of the machine. Following the recommendations outlined in this manual will assure years of satisfactory service from your air mover.
2. Improper connection of the equipment grounding conductor can result in a risk of fire, electrical shock or personal injury. Always use a three wire electrical system connected to the electrical ground. For maximum protection against electrical shock, use a circuit that is protected by a ground fault circuit interrupter. Consult with a qualified electrician or service person if you are in doubt as to whether an outlet is properly grounded. Do not use a air mover with a damaged cord or plug.

3. Machines can cause an explosion when near flammable materials and vapors. Do not use or store this machine with or near fuels, grain dust, solvents, thinners, or other flammable materials. Do not use flammable chemicals to clean this machine.
4. Do not immerse or use this machine in standing water. Such use may cause electrical shock. To avoid electrical shock, do not expose the machine to rain. Store the machine indoors only. Do not expose the machine to freezing temperatures.
5. Do not move or carry the unit when it is turned on. Do not pull or carry by the cord, use cord as a handle, close a door on the cord or pull cord around sharp edges or corners. Keep cord away from heated surfaces. Do not unplug cord by pulling on the cord. To unplug, grasp and pull the plug, not the cord. Do not handle the plug or the air mover with wet hands.
6. Do not put any objects into openings. Do not use with any opening blocked; keep free of dust, lint, hair and anything that may reduce air flow. Keep hair, loose clothing, fingers and all parts of the body away from openings and moving parts.
7. Turn off all controls before unplugging the air mover
8. Operate unit on a level and stable surface to prevent it from falling and possibly causing personal injury or damage.
9. Do not drop or throw the unit. Treatment of this type can cause damage to the components and create hazardous conditions.

Operating Instructions

Inspect the power cord for damage and if the power cord is free from damage, plug the air mover into a standard grounded outlet with a nominal voltage of 120 Volts AC and minimum amperage capacity of 15 Amps. If you are unsure about the outlet, contact your supervisor. Rotate the power switch to the desired operating speed and verify that the air mover operates properly before letting it operate unattended.

Daily Maintenance

1. Inspect the electrical cord and wiring for damage or discoloration
2. Inspect for loose fasteners
3. Clean screens on the side and front of the unit
4. Listen for abnormal sounds
5. Keep the air mover clean

Periodic Maintenance

Use compressed air or a vacuum to remove lint and other debris from the motor, screen and fan cage. Do not use a pressure washer to clean the air mover.

Specifications:

Length - 19 in.
 Width - 17 in.
 Height - 18 in.
 Weight - 27 Lbs.
 Max CFM - 2,400
 Motor - 0.5 HP, 120v, 60 Hz
 Cord - 18-3 ST, 18 ft.

BETCO US WARRANTY POLICY

10 Year Coverage

Subject to the conditions stated below, Betco warrants parts and labor on rotationally molded polyethylene tanks/housings and injection molded vacuum head assemblies to be free from defects in materials and workmanship for a period of ten years to the original purchaser.

3 Year Coverage

Subject to the conditions stated below, Betco warrants parts and labor on all other Betco components to be free from defects in materials and workmanship for a period of three years to the original purchaser.

1 Year Coverage

Subject to the conditions stated below, Betco offers a limited warranty on parts and labor on the following equipment, parts and accessories to be free from defects in material and workmanship for a period of one year to the original purchaser. DM Series Vacuums: #85506-00, Bac Pac Lite Vacuum: #85903-00 FiberPRO® Air Mover: #85507-00 WORKMAN™ Series Vacuums: #85024-00, #85025-00, #85026-00, #85027-00 CV100T Vacuum: #85023-00. All Tools and Accessories/All Battery Chargers/All Batteries are pro-rated for 1 year.

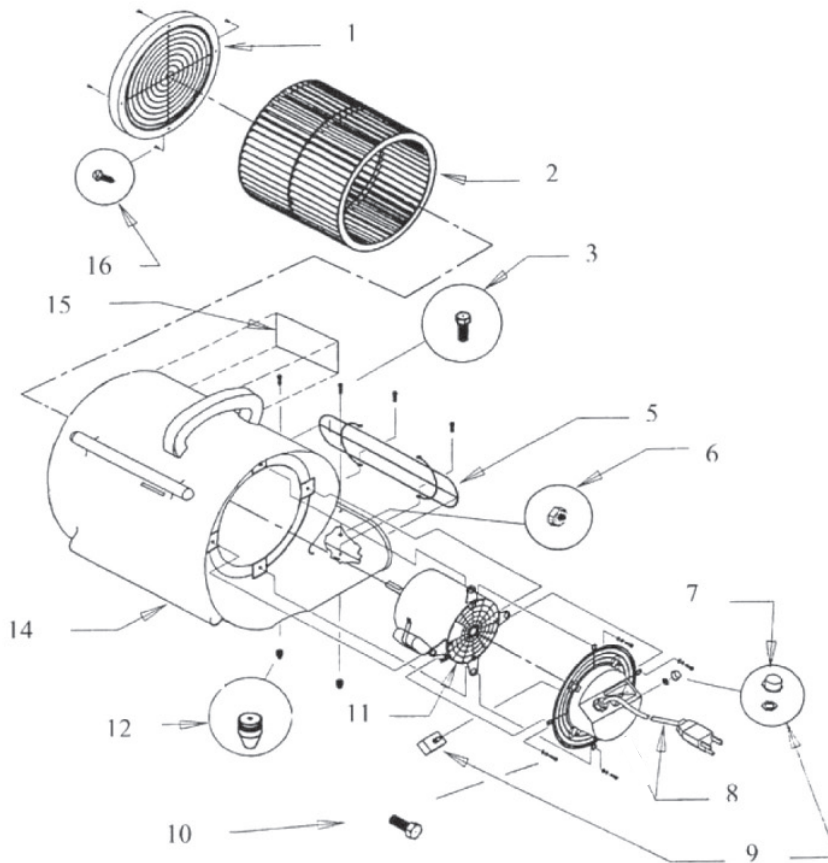
Allowable Travel Time Warranty Reimbursement

Eligible equipment: All battery and propane powered equipment products. Warranty period: 90 days from date of sale to the original purchaser. A maximum 60 mile round trip at 44 cents per mile will be allowed for warranty consideration.

Propane Machine Warranty:

Honda engines are warranted by Honda for a period of 2 years against manufacturer defect. Kawasaki engines are warranted by Kawasaki for a period of 2 years against manufacturer defect. All other components (except wear items)* are warranted by Betco for a period of 3 years.

***Wear items exempt from warranty consideration include but may not be limited to: power cords, transport wheels, castors, vacuum bags, belts, squeegee blades, pad drivers, clutch plates, handle grips, filters, screens, throttle cables, brushes and carbon brushes.** Subject to the conditions and exceptions stated in this warranty, Betco warrants the Betco products to be free from defects in material and workmanship, under normal use and service, for the periods listed under the warranty policy to the original purchaser. At any time during the warranty period, Betco will furnish replacement parts for the Betco products to the original purchaser. Such parts will be furnished and charged including transportation costs, to the original owner through any Betco authorized Service Distributor. If the original part is returned within the warranty policy period from date of delivery for inspection by Betco and is found to be defective, the owner will be credited for the cost of replacement parts plus shipping and handling. Replacement parts that have become defective through wear or abuse are not included in this warranty. This warranty does not apply to damage or defect caused by accident, misuse, negligence, fire or to any Betco product which has been serviced or repaired by other than an authorized Betco Service Distributor or Betco factory personnel. This warranty is void if products are used for any purpose other than that which was intended. There are no other warranties expressed or implied. In no event shall Betco be liable for incidental or consequential damages or any damage to person or property. (Please note some states do not allow the exclusion or limitations for incidental and consequential damages.)



ITEM NUMBER	PART NUMBER	Description	QTY.
1	E87944	Guard - Fan Side	1
2	E87945	Fan Cage	1
3	E87946	Rivet	12
5	E87947	Guard - Front	1
6	E87948	Nut	1
7	E87949	Knob	4
8	E87950	Power Cord	1
9	E87951	Switch - 4 Position	1
10	E87952	Bolt - Flange 1/4-20x5/8	4
11	E87953	Motor-1/2 HP	1
12	E87954	Grommet - Rubber	4
14	E87955	Housing - Blower	1
15	E87956	Label	1
16	E87957	Screw - 8-15x5/8	4

