

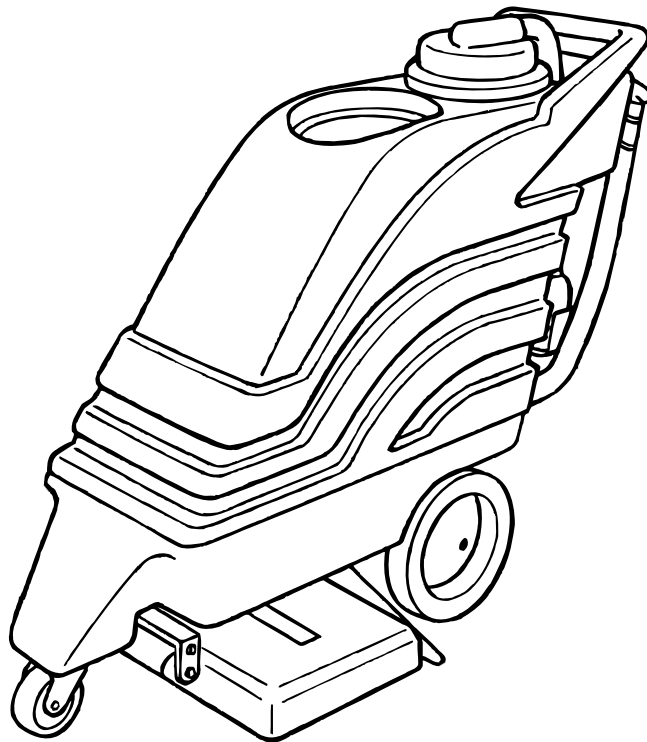


# Frontier™

Self-Contained Carpet Extractor  
Aspirador para moquetas con depósito incorporado

Model No.:  
608549  
609236

Operator and Parts Manual  
Manual del Operador y Piezas



NOBLES  
12875 RANSOM STREET  
HOLLAND MI 49424 U.S.A.

CUSTOMER SERVICE: 1-800-365-6625  
FAX: 1-800-678-4240  
OUTSIDE U.S. : 1-616-786-2330

608550  
Rev. 01 (06-01)

# OPERATION

This manual is furnished with each new machine. It provides necessary operation and maintenance instructions and an illustrated parts list.

**Read this manual completely to understand the machine before operating or servicing it.**

When ordering replacement parts use the Parts Lists in this manual. Before ordering parts or supplies, be sure to have your machine model number and serial number handy. Parts and supplies may be ordered by phone or mail from any Authorized Service Center or Distributor.

This machine will provide excellent service. However, the best results will be obtained at minimum costs if:

- The machine is operated with reasonable care.
- The machine is maintained regularly - per the machine maintenance instructions provided.
- The machine is maintained with manufacturer supplied or equivalent parts.

## MACHINE DATA

Please fill out at time of installation for future reference.	
Model No.-	_____
Install. Date -	_____
Serial No.-	_____

© 2001 Tennant Company Printed in U.S.A

Nobles is a registered United States trademark of Tennant Company. Frontier is a registered United States trademark of Tennant Company.

Specifications and parts are subject to change without notice.

## TABLE OF CONTENTS

<b>SAFETY PRECAUTIONS</b> .....	<b>3</b>	<b>STORING MACHINE</b> .....	<b>8</b>
GROUNDING INSTRUCTIONS .....	3	<b>RECOMMENDED STOCK ITEMS</b> .....	<b>8</b>
<b>MACHINE COMPONENTS</b> .....	<b>4</b>	<b>TROUBLE SHOOTING</b> .....	<b>9</b>
<b>MACHINE SETUP</b> .....	<b>4</b>	<b>SPECIFICATIONS</b> .....	<b>10</b>
<b>MACHINE OPERATION</b> .....	<b>5</b>	<b>ELECTRICAL DIAGRAMS</b> .....	<b>21</b>
PRE-OPERATION .....	5	<b>PARTS LIST</b> .....	<b>22</b>
CLEANING CARPETS .....	5	RECOVERY TANK GROUP .....	22
WHILE OPERATING .....	5	CONTROL CONSOLE GROUP	
CLEANING WITH ACCESSORY TOOLS ...	5	(120V MODEL) .....	24
<b>ADJUSTING BRUSH HEIGHT</b> .....	<b>6</b>	CHASSIS GROUP .....	26
<b>DRAINING TANKS</b> .....	<b>6</b>	BRUSH HOUSING GROUP .....	28
DRAINING RECOVERY TANK .....	6	BRUSH BREAKDOWN .....	30
DRAINING LEFTOVER CLEANING		BRUSH HOUSING LIFT LEVER GROUP ...	31
SOLUTION .....	6	PLUMBING GROUP .....	32
<b>MACHINE MAINTENANCE</b> .....	<b>7</b>	PUMP BREAKDOWN .....	33
DAILY MAINTENANCE		<b>OPTIONS</b> .....	<b>34</b>
(Every 4 Hours of Operation) .....	7	127mm (5 in.) HAND TOOL .....	34
WEEKLY MAINTENANCE		SOLUTION AND VACUUM HOSES .....	34
(Every 20 Hours of Operation) .....	7	330mm (13 in.) FLOOR TOOLS .....	35
MONTHLY MAINTENANCE			
(Every 80 Hours of Operation) .....	7		
QUARTERLY MAINTENANCE			
(Every 250 Hours of Operation) .....	7		
SERVICING MACHINE .....	8		

## SAFETY PRECAUTIONS

This machine is intended for commercial use. It is suited to clean carpet and upholstery in an indoor environment and is not constructed for any other use. Use only recommended cleaning solutions and accessory tools.

All operators must read, understand and exercise the following important Safety Precautions.

The following safety alert symbols are used throughout this manual as indicated in their description.

**⚠ WARNING: To warn of hazards or unsafe practices which could result in severe personal injury or death.**

**FOR SAFETY: To identify actions which must be followed for safe operation of equipment.**

The following information signals potentially dangerous conditions to the operator or equipment:

### FOR SAFETY:

1. **Do not operate machine:**
  - Unless trained and authorized.
  - Unless operator manual is read and understood.
  - In flammable or explosive areas.
  - With damaged cord or plug.
  - If not in proper operating condition.
  - In outdoor areas.
  - In standing water.
  - Unless cord is properly grounded.
  - With the use of additional extension cords. Only use manufacturer's extension cord equipped with machine which has proper capacity and is grounded (120V Model).
2. **Before operating machine:**
  - Make sure all safety devices are in place and operate properly.
3. **When using machine:**
  - Do not run machine over cord.
  - Do not pull machine by plug or cord.
  - Do not pull cord around sharp edges or corners.
  - Do not unplug by pulling on cord.
  - Do not stretch cord.
  - Do not handle plug with wet hands.
  - Keep cord away from heated surfaces.
  - Report machine damage or faulty operation immediately.

- Follow mixing and handling instructions on chemical containers.

#### 4. Before leaving or servicing machine:

- Turn off machine.
- Unplug cord from wall outlet.

#### 5. When servicing machine:

- Unplug cord from wall outlet.
- Avoid moving parts. Do not wear loose jackets, shirts, or sleeves.
- Use manufacturer supplied or approved replacement parts.

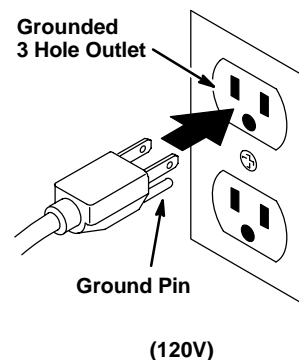
**⚠ WARNING: Hazardous Voltage. Shock or electrocution can result. Always unplug machine before servicing.**

**⚠ WARNING: Flammable materials can cause an explosion or fire. Do not use flammable materials in tank(s).**

**⚠ WARNING: Flammable materials or reactive metals can cause an explosion or fire. Do not pick up.**

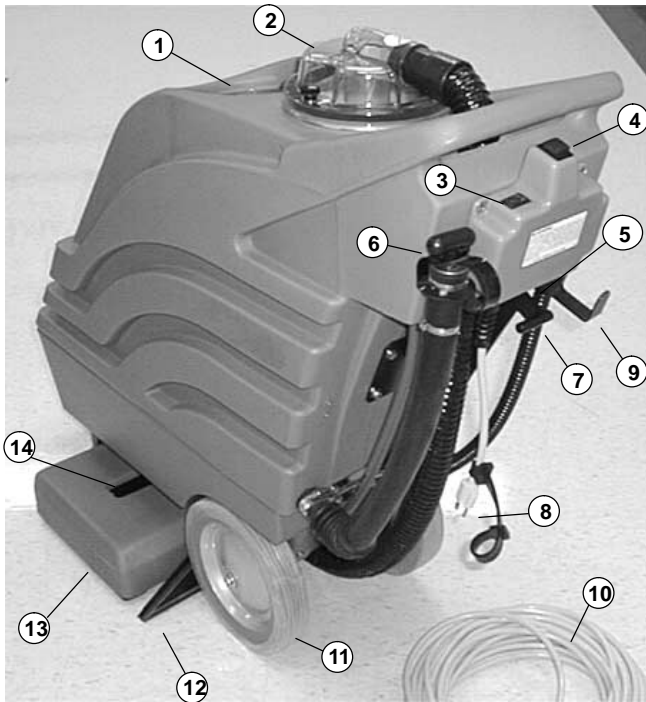
## GROUNDING INSTRUCTIONS

Machine must be grounded. If it should malfunction or breakdown, grounding provides a path of least resistance for electrical current to reduce the risk of electrical shock. This machine is equipped with a cord having an equipment-grounding conductor and grounding plug. The plug must be plugged into an appropriate outlet that is properly installed in accordance with all local codes and ordinances. Do not remove ground pin; if missing, replace plug before use.



# OPERATION

## MACHINE COMPONENTS



1. Solution Tank Lid
2. Recovery Tank Dome
3. Main Power Switch
4. Brush/Spray Switch
5. Circuit Breakers (under switchbox)
6. Recovery Tank Drain Hose
7. Brush/Vacuum Head Lift Lever
8. Power Cord Pigtail (120V Model)
9. Power Cord Storing Hook
10. Detachable Power Cord (120V Model)
11. 254 mm (10 in) Stair Climbing Wheels
12. Vacuum Head
13. Brush Housing
14. Spray Bar

## MACHINE SETUP

1. Carefully check carton for signs of damage. Report damages at once to carrier. The machine is shipped fully assembled and is ready for operation.
2. Remove solution tank lid and fill tank with 38 liters (10 gallons) of hot water, 60°C (140°F) maximum (Figure 1).

**⚠ WARNING: Flammable materials can cause an explosion or fire. Do not use flammable materials in tank(s).**



FIG. 1

**NOTE:** When using a bucket to fill tank, make sure it is clean. Always use separate buckets when filling and emptying machine.

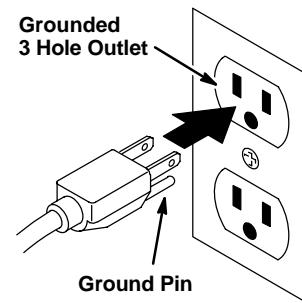
3. Add a recommended cleaning solution. Follow bottle's mixing instructions.

**FOR SAFETY:** When using machine, follow mixing and handling instructions on chemical containers.

**NOTE:** If desired, hot water alone achieves excellent cleaning results.

**ATTENTION:** If using powdered cleaning chemicals, mix prior to adding.

4. Replace lid securely after filling.
5. Connect the detachable power cord to machine, use cord restraint strap provided (120V Model).
6. Plug power cord into a grounded wall outlet (Figure 2).



(120V)

**FOR SAFETY:** Do not operate machine unless cord is properly grounded.

**FOR SAFETY:** Do not operate machine with the use of additional extension cords. Only use manufacturer's cord equipped with machine which has proper capacity and is grounded (120V Model).

## MACHINE OPERATION

**FOR SAFETY: Do not operate unless operator manual is read and understood.**

### PRE-OPERATION

1. Vacuum carpet to remove particles and other debris.
2. Inspect power cord for damage.

### CLEANING CARPETS

1. Turn on main power switch.
2. Lower brush/vacuum head lift lever (Figure 2).



FIG. 2

3. To begin cleaning, hold down the brush/spray button and push machine forward at a pace of approximately 23 m (75 ft) per minute. For heavily soiled areas, push machine at a slower pace (Figure 3).

**⚠ WARNING: Flammable materials or reactive metals can cause explosion or fire. Do not pick up.**



FIG. 3

4. Release button at end of path and continue to push machine forward to pick up excess solution.
5. After cleaning, perform the daily maintenance instructions.

**NOTE:** Allow up to one hour for carpet to dry. Use air movers to reduce drying time.

### WHILE OPERATING

1. If necessary, adjust brush height to accommodate type of carpet (See ADJUSTING BRUSH HEIGHT).
2. Overlap each path by 51 mm (2 in).
3. Work away from wall outlet and power cord to prevent cord damage.
4. When turning machine around, release spray/brush button, push down on handle and pivot machine on rear wheels.
5. Check for excessive foam buildup in recovery tank. Use a recommended foam control solution to prevent motor damage.

**ATTENTION: Foam will not activate the float shut-off screen. Motor damage due to foam or water is not covered by warranty.**

6. When the float shut-off screen is activated, water pickup will stop. Drain recovery tank at this point and refill solution tank (See DRAINING TANKS).
7. If brush or vacuum motor should stop, circuit breaker may have tripped. Shut off machine, unplug power cord and check for any obstructions. Let motor cool and manually reset circuit breaker button, located on switch box.
8. Raise brush/vacuum head when transporting machine to draining area.

### CLEANING WITH ACCESSORY TOOLS

See Options.

1. Disconnect vacuum hose from recovery dome and connect accessory vacuum hose (Figure 4).
2. Connect accessory solution hose to quick coupler, located in front of handle (Figure 4).



FIG. 4

3. Attach desired accessory tool to hoses.
4. Turn on main power switch.

## OPERATION

---

5. Begin operating accessory tool (Figure 5).



FIG. 5

**NOTE:** When cleaning upholstery, always check cleaning instructions sewn in furniture by manufacturer.

6. After operating accessory tool, relieve water pressure from tool before disconnecting hose. Squeeze trigger for five seconds after turning off switches.

---

## ADJUSTING BRUSH HEIGHT

---

1. Turn off machine and unplug power cord from wall outlet.

**FOR SAFETY:** Before leaving or servicing machine, turn off machine and unplug cord from wall outlet.

2. To adjust brush height, use a standard screwdriver and turn brush height adjustment lever in 1/4 turn increments, 4 settings (Figure 6).

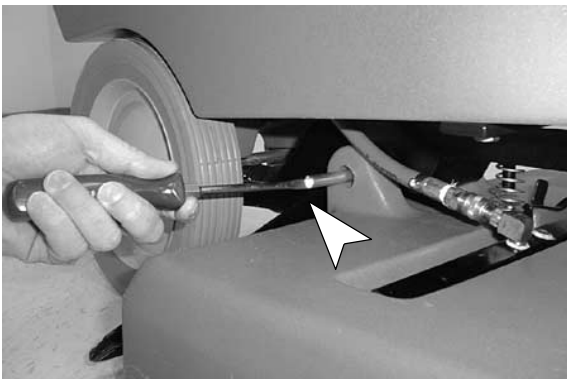


FIG. 6

---

## DRAINING TANKS

---

**FOR SAFETY:** Before leaving or servicing machine, turn off machine and unplug cord from wall outlet.

**NOTE:** Always use separate buckets when draining and filling machine.

---

## DRAINING RECOVERY TANK

1. Turn off power switch and unplug power cord. Raise brush lift handle and transport machine to draining area.
2. Turn drain hose knob counterclockwise and pull plug out to drain (Figure 7).



FIG. 7

3. After draining, replace drain hose knob securely.

---

## DRAINING LEFTOVER CLEANING SOLUTION

1. Connect 1 m (3 ft) pump-out hose, supplied with machine, to machine's solution coupler (Figure 8).



FIG. 8

2. Direct the hose into a bucket or floor drain.
3. Turn on main power switch.

**NOTE:** You can also use the pump-out hose to rinse out recovery tank when there's leftover water.

---

## MACHINE MAINTENANCE

---

To keep machine in good working condition, simply follow machine's daily, weekly and monthly maintenance procedures.

**FOR SAFETY: When servicing machine, unplug cord from wall outlet.**

---

### DAILY MAINTENANCE (Every 4 Hours of Operation)

1. Rinse out recovery tank and recovery dome thoroughly after every use.
2. Remove float shut-off screen and clean. Screen is located in recovery tank (Figure 10).



**FIG. 9**

3. Vacuum out any leftover solution from solution tank, using the 1 m (3 ft) clean-out hose.
4. Remove and rinse off bladder tank screen.
5. Remove any entangled carpet fibers and debris in brush.
6. Remove any clogged debris in vacuum head.
7. Check power cord for damage, replace if necessary. Coil cord neatly after each use.
8. Clean machine with a nonabrasive, nonsolvent cleaner.

---

### WEEKLY MAINTENANCE (Every 20 Hours of Operation)

1. Inspect vacuum hose for holes and loose cuffs.
2. Inspect spray pattern for plugging. If plugged, remove spray tips and soak in acetic acid solution for up to six hours. Do not use pointed objects to unplug tips, damage will occur.

**FOR SAFETY: When using machine, follow mixing and handling instructions on chemical containers.**

3. Inspect power cord and cord grip for damage. Replace immediately if damaged.

---

### MONTHLY MAINTENANCE (Every 80 Hours of Operation)

1. Flush pump system with an acetic acid solution to dissolve normal alkaline chemical buildup. Follow instructions below:

**FOR SAFETY: When using machine, follow mixing and handling instructions on chemical containers.**

- a. Premix .5 L (16 oz) of an acetic acid solution with 7.5 L (2 gal) of hot water, 60° C (140° F) maximum, and pour into solution tank.
  - b. Turn on main power switch.
  - c. Position brush/vacuum head over floor drain and activate the brush/spray button for one minute.
  - d. Shut off machine and allow remaining solution to break down alkaline buildup overnight.
  - e. Next day, spray out remaining solution and flush system with 11 L (3 gal) of clean water.
2. Lubricate wheels and caster with a water resistant oil.
  3. Inspect machine for water leaks.
  4. Inspect machine for loose screws.

---

### QUARTERLY MAINTENANCE (Every 250 Hours of Operation)

Inspect vacuum motor for carbon brush wear. Replace brushes when worn to a length of 10 mm (0.38 in) or less. Contact Service Center for carbon brush inspection.

# OPERATION

## SERVICING MACHINE

**ATTENTION:** Machine repairs must be performed by Authorized Personnel only.

**⚠ WARNING: Hazardous Voltage. Shock or electrocution can result. Always unplug machine before servicing.**

**FOR SAFETY:** When servicing machine, use manufacturer supplied or approved replacement parts.

To access internal components for repair:

1. Remove screw from lift handle linkage as shown, 0.5 inch wrench required (Figure 10).



FIG. 10

**ATTENTION:** Make sure tanks are empty before opening.

2. Remove two hex-head bolts at front of machine, 9/16" wrench required.
3. Hinge tank backwards away from chassis (Figure 11).

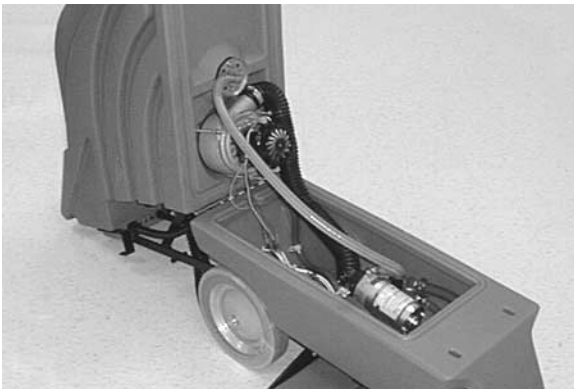


FIG. 11

4. When closing machine, be careful not to pinch internal hoses or wiring.

## STORING MACHINE

1. Before storing machine, be certain to flush tanks and drain machine of all water.
2. Store machine in a dry area in the upright position with brush/vacuum head raised off floor.
3. Remove recovery dome to promote air circulation.

**ATTENTION:** Do not expose to rain. Store indoors.

**ATTENTION:** If storing machine in freezing temperatures, be sure that machine, pump and spraying system are completely drained and dry. Damage due to freezing temperatures is not covered by warranty.

## RECOMMENDED STOCK ITEMS

Refer to Parts List section for recommended stock items. Stock Items are clearly identified with a bullet preceding the parts description. See example below:

Ref.	Part No.	Description	Qty.
1	701103	ASM., STANDPIPE	1
2	180618	● FLOAT, SHUTOFF	1
3	230187	NIPPLE	1
4	101714	● GASKET	1
5	210240	NUT, FLANGED	1



**TROUBLE SHOOTING**

<b>PROBLEM</b>	<b>CAUSE</b>	<b>SOLUTION</b>
Machine does not operate.	Faulty main power switch or wiring.	Contact Service Center.
	Tripped machine circuit breaker.	Reset circuit breaker.
	Faulty power cord.	Contact Service Center.
	Building circuit breaker tripped.	Reset breaker.
Solution pump does not operate.	Overheated pump.	Determine cause, wait 20 minutes for pump to cool and reset breaker.
	Faulty solution pump.	Contact Service Center.
	Faulty solenoid.	Contact Service Center.
	Faulty brush/spray switch.	Contact Service Center.
Vacuum motor does not operate.	Loose or broken wiring.	Contact Service Center.
	Vacuum motor thermal overload tripped.	Check air flow for obstruction and wait 20 minutes for motor to cool.
	Faulty main power switch.	Contact Service Center.
	Defective vacuum motor.	Contact Service Center.
Brush motor does not operate.	Worn carbon brushes.	Replace brushes or call for service.
	Brush motor circuit breaker tripped.	Remove brush obstruction. Reset brush breaker button on switch box.
	Brush/spray button not pressed.	Push brush/spray button.
	Faulty brush motor.	Contact Service Center.
Poor pick up.	Loose or broken brush belt.	Contact Service Center.
	Faulty switch or wiring.	Contact Service Center.
	Loose drain hose plug.	Cap drain hose securely.
	Full recovery tank.	Drain recovery tank.
	Clogged float shut-off screen.	Remove recovery dome and clean lint off screen.
	Air leakage around recovery dome.	Tighten recovery dome knobs or replace gaskets.
	Loose vacuum hose connections.	Secure connections.
	Defective vacuum hose.	Replace hose.
	Loose vacuum hose cuffs.	Secure cuffs to hose.
Clogged vacuum head.	Dislodge debris from vacuum head.	
Uneven or no spray.	Pushing machine too fast.	Slow down cleaning process.
	Dirty or plugged spray tips.	Clean or replace tips.
	Improper spray tip size or spray angle.	Replace with proper tips.
	Worn spray tips.	Replace spray tips.
	Solution tank low or empty.	Refill solution tank.
	Faulty solution pump.	Contact Service Center.
Plugged solution tank filter.	Clean filter.	

# OPERATION

---

## SPECIFICATIONS

<b>Model</b>	<b>Frontier™ Carpet Extractor</b>
LENGTH	1180mm (46.5 in)
WIDTH	510mm (20 in)
HEIGHT	940mm (37 in)
WEIGHT	54 Kg (120 lbs)
CLEANING PATH WIDTH	510mm (20 in)
SOLUTION TANK CAPACITY	38 ltr (10 gal)
RECOVERY TANK CAPACITY	55 ltr (14.5 gal)
SOLUTION PUMP	120V, 6.9 bar (100 psi), 1 amp
SPRAY NOZZLES	5– 80015 Quickjet
VACUUM MOTOR	120 V, 3–stage, 1.8 hp, 13 amp, 1560 watts
SEALED WATER LIFT	3.5m (137 in)
BRUSH MOTOR	120V, .1 hp, 1800 rpm, .75 A, 90 W
POWER CORD LENGTH	120 V – 23 m (75 ft.)
TOTAL POWER CONSUMPTION	120V, 14.2 A, 1710 W
DECIBEL RATING AT OPERATOR'S EAR, INDOORS ON CARPET	80dB(A)

Este manual se entrega con cada nueva máquina. Incluye instrucciones necesarias de operación y mantenimiento y una lista ilustrada de piezas.

**Lea completamente este manual para entender la máquina, antes de intentar operar o prestar servicio a la misma.**

Use la Lista de Piezas incluida en este manual al ordenar piezas de repuesto. Antes de ordenar piezas o suministros, asegúrese de tener el número de modelo y el número de serie de su máquina. Piezas y suministros pueden ordenarse por teléfono o por correo de cualquier Centro de Servicio o Distribuidor autorizados.

Esta máquina proporciona un servicio excelente. Sin embargo los mejores resultados se obtienen a un costo mínimo si:

- La máquina se opera con un cuidado razonable.

- La máquina se mantiene regularmente – según las instrucciones de mantenimiento de la máquina provistas.
- La máquina se mantiene con piezas provistas por el fabricante o equivalentes.

## DATOS DE LA MAQUINA

Por favor complete al momento de la instalación para referencia futura.

No. de Modelo - \_\_\_\_\_

Fecha de instalación - \_\_\_\_\_

No. de Serie - \_\_\_\_\_

© 2001 Tennant Company

Printed in U.S.A

Nobles is a registered United States trademark of Tennant Company. Frontier is a registered United States trademark of Tennant Company.

Las especificaciones y piezas están sujetas a cambio sin aviso previo.

## INDICE DE MATERIAS

<b>PRECAUCIONES DE SEGURIDAD</b> .....	<b>12</b>	<b>ALMACENAMIENTO DE LA MAQUINA</b> .....	<b>18</b>
INSTRUCCIONES DE CONEXION A TIERRA .....	13	<b>ARTICULOS RECOMENDADOS PARA MANTENER EN STOCK</b> .....	<b>18</b>
<b>COMPONENTES DE LA MAQUINA</b> .....	<b>13</b>	<b>LOCALIZACION DE FALLAS</b> .....	<b>19</b>
<b>PREPARACION DE LA MAQUINA</b> .....	<b>14</b>	<b>LOCALIZACION DE FALLAS (CONT.)</b> .....	<b>20</b>
<b>OPERACION DE LA MAQUINA</b> .....	<b>14</b>	<b>ESPECIFICACIONES</b> .....	<b>20</b>
PREOPERACION .....	14	<b>DIAGRAMAS ELECTRICAS</b> .....	<b>21</b>
LIMPIEZA DE ALFOMBRAS .....	14	<b>LISTA DE PIEZAS</b> .....	<b>22</b>
AL OPERAR .....	15	CONJ. DESPOSITO RECUPERAR .....	22
LIMPIEZA DE LA CAJA DE ACCESORIOS .	15	CONJUNTO CONSOLA DE CONTROLES (120V MODELO) .....	24
<b>AJUSTE DE LA ALTURA DEL CEPILLO</b> .....	<b>16</b>	CONJUNTO TELAIO .....	26
<b>TANQUES DE DRENAJE</b> .....	<b>16</b>	GRUPO DEL BASTIDOR DEL CEPILLO ...	28
DRENAJE DEL TANQUE DE RECUPERACION .....	16	CONJUNTO DE CEPILLO .....	30
DRENAJE DE LA SOLUCION DE LIMPIEZA RESTANTE .....	16	GRUPO DE PALANCA PARA ELEVAR LA COJA DE CEPILLO .....	31
<b>MANTENIMIENTO DE LA MAQUINA</b> .....	<b>17</b>	GRUPO DE TUBERÍAS .....	32
MANTENIMIENTO DIARIO (Cada 4 horas de operación) .....	17	CLASIFICACIÓN DE LA BOMBA .....	33
MANTENIMIENTO SEMANAL (Cada 20 horas de operación) .....	17	<b>OPCIONES</b> .....	<b>34</b>
MANTENIMIENTO MENSUAL (Cada 80 horas de operación) .....	17	127mm ACCESORIO MANUAL .....	34
MANTENIMIENTO TRIMESTRAL (Cada 250 horas de operación) .....	17	MANGUERAS DE DISOLUCIÓN Y ASPIRACIÓN .....	34
SERVICIO A LA MAQUINA .....	18	330mm ACCESORIO PARA EL SUELO ....	35

---


## PRECAUCIONES DE SEGURIDAD

---

Esta máquina está diseñada para uso comercial. Es apropiada para limpiar alfombras y tapicería en un ambiente interior y no está fabricada para ningún otro uso. Use soluciones limpiadoras y accesorios recomendados solamente.

Todos los operadores deben leer, entender y observar las siguientes Precauciones de Seguridad importantes.

Los símbolos siguientes de alerta de protección se usan en este manual según indicado en su descripción.

 **ADVERTENCIA:** Para advertir de riesgos o prácticas riesgosas que pueden resultar en lesiones personales graves o la muerte.


**PARA PROTECCION:** Para identificar acciones que deben observarse para una operación protegida del equipo.

La información siguiente señala condiciones potencialmente peligrosas para el operador o el equipo:


### PARA PROTECCION:

1. **No opere la máquina:**
  - A menos que esté capacitado y autorizado.
  - A menos que haya leído y entendido el manual del operador.
  - En áreas inflamables o explosivas.
  - Con un cordón o enchufe dañado.
  - Si no está en un estado apropiado de operación.
  - El áreas al aire libre.
  - En agua estancada.
  - A menos que el cordón esté bien conectado a tierra.
  - Con el uso de cordones de extensión adicionales. Use sólo el cordón de extensión del fabricante equipado con la máquina que tenga una capacidad apropiada y esté conectado a tierra (120V Modelo).
2. **Antes de operar la máquina:**
  - Asegúrese que todos los mecanismos de seguridad estén en su lugar y que funcionen apropiadamente.

3. **Al usar la máquina:**
  - No pase la máquina sobre el cordón.
  - No tire de la máquina del enchufe o del cordón.
  - No tire de la máquina alrededor bordes o esquinas aguzados.
  - No desenchufe tirando del cordón.
  - No estire el cordón.
  - No toque el enchufe con las manos húmedas.
  - Mantenga el cordón alejado de las superficies calientes.
  - Informe inmediatamente acerca de daños o una operación defectuosa de la máquina.
  - Observe las instrucciones de mezcla y manejo en los recipientes de sustancias químicas.
4. **Antes de dejar o prestar servicio a la máquina:**
  - Apague la máquina.
  - Desenchufe el cordón del enchufe de pared.
5. **Al prestar servicio a la máquina:**
  - Desenchufe el cordón del enchufe de pared.
  - Evite piezas móviles. No use sacos, camisas o mangas holgadas.
  - Use piezas de repuesto provistas o aprobadas por el fabricante.

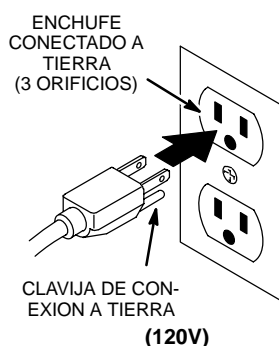
 **ADVERTENCIA:** Voltaje peligroso. Puede resultar en choque eléctrico o electrocución. Siempre desenchufe la máquina antes de prestar servicio.

 **ADVERTENCIA:** Los materiales inflamables pueden causar una explosión o incendio. No use materiales inflamables en el tanque(s).

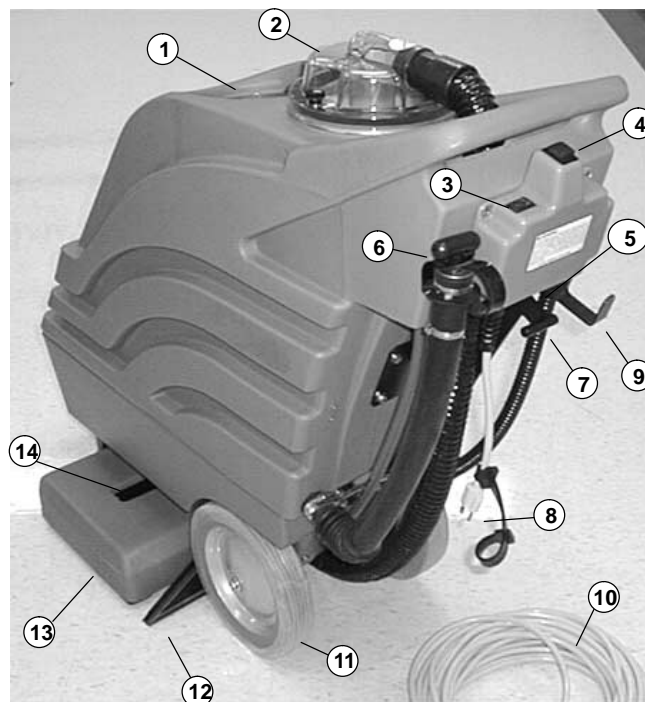
 **ADVERTENCIA:** Los materiales inflamables o metales reactivos pueden causar una explosión o incendio. No los aspire.

## INSTRUCCIONES DE CONEXION A TIERRA

La máquina debe conectarse a tierra. Si funciona mal o se rompe, la conexión a tierra proporciona un recorrido de menor resistencia para la corriente eléctrica para reducir el riesgo de choque eléctrico. Esta máquina está equipada con un cordón que tiene un conductor de conexión a tierra del equipo y un enchufe de conexión a tierra. El enchufe debe enchufarse en un tomacorrientes apropiado que esté bien instalado de acuerdo con todos los códigos y ordenanzas locales. No extraiga la clavija de conexión a tierra; en caso de faltar, vuelva a colocar el enchufe antes de usar.



## COMPONENTES DE LA MAQUINA



1. Tapa del tanque de solución
2. Cúpula del tanque de recuperación
3. Conmutador de energía principal
4. Botón de cepillo/rociador
5. Interruptores de circuito (debajo de la caja de conmutadores)
6. Manguera de drenaje del tanque de recuperación
7. Palanca elevadora del cepillo/cabezal de aspiración
8. Cordón flexible de energía (120V Modelo)
9. Gancho para enrollar el cordón de energía
10. Cordón de energía separable (120V Modelo)
11. Ruedas para subir escaleras de 254 mm
12. Cabezal de aspiración
13. Bastidor del cepillo
14. Barra rociadora

# OPERACIÓN

## PREPARACION DE LA MAQUINA

1. Inspeccione cuidadosamente la caja por indicios de daño. Reporte inmediatamente cualquier daño al transportista. La máquina se envía completamente ensamblada y está lista para operar.
2. Extraiga la tapa del tanque de solución y llene el tanque con 38 litros (10 galones) de agua caliente, 60° C (140° F) máximo (Figura 12).

**⚠ ADVERTENCIA:** Los materiales inflamables pueden causar una explosión o incendio. No use materiales inflamables en el tanque(s).



FIG. 12

**NOTA:** Al usar un balde para llenar el tanque, asegúrese que esté limpio. Al llenar y vaciar la máquina, asegúrese siempre de usar baldes separados.

3. Agregue una solución limpiadora recomendada. Siga las instrucciones de mezcla de la botella.

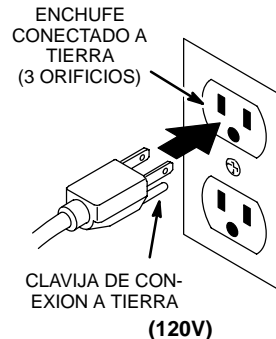
**PARA PROTECCION:** Al usar la máquina, siga las instrucciones de mezcla y manejo en los recipientes de sustancias químicas.

**NOTA:** Si se prefiere, el agua caliente sola logra resultados excelentes de limpieza.

**ATENCIÓN:** Si usa sustancias químicas limpiadoras en polvo, mezcle antes de agregar.

4. Vuelva a colocar bien la tapa después de llenar.
5. Conecte el cordón separable de energía a la máquina, use la correa sujetadora del cordón provista (120V Modelo).

6. Enchufe el cordón a un tomacorrientes de pared conectado a tierra (Figura NO TAG).



**PARA PROTECCION:** No opere la máquina a menos que el cordón esté bien conectado a tierra.

**PARA PROTECCION:** No opere la máquina usando cordones de extensión adicionales. Use sólo el cordón de extensión del fabricante equipado con la máquina que tenga una capacidad apropiada y esté conectado a tierra (120V Modelo).

## OPERACION DE LA MAQUINA

**PARA PROTECCION:** No opere la máquina a menos que haya leído y entendido el manual del operador.

### PREOPERACION

1. Aspire la alfombra para extraer las partículas y otros desechos.
2. Inspeccione el cordón de energía por daños.

### LIMPIEZA DE ALFOMBRAS

1. Conecte el conmutador de energía principal.
2. Baje la palanca de elevación del cepillo/cabezal de aspiración (Figura 13).



FIG. 13

- Para comenzar a limpiar, oprima el botón del cepillo/rociador y empuje la máquina hacia adelante a una velocidad de 23 m (75 pies) por minuto. Para áreas muy sucias, empuje la máquina más lentamente (Figura 14).

**⚠ ADVERTENCIA: Los materiales inflamables o metales reactivos pueden causar una explosión o incendio. No aspire.**



FIG. 14

- Suelte el botón al final del recorrido y continúe empujando la máquina hacia adelante para aspirar el exceso de solución.
- Después de limpiar, siga las instrucciones de mantenimiento diario.

**NOTA:** Permita hasta una hora para que la alfombra se seque. Use ventiladores para reducir el tiempo de secado

## AL OPERAR

- Si fuera necesario, ajuste la altura del cepillo para acomodar los diferentes tipos de alfombras (Vea AJUSTE DE LA ALTURA DEL CEPILLO).
- Superponga cada recorrido en 51 mm (2 pulg.).
- Trabaje alejado del tomacorrientes de pared y del cordón de energía para prevenir daños al cordón.
- Al girar la máquina, suelte el botón de rociado/cepillo, empuje la manija hacia abajo y pivotee la máquina sobre las ruedas posteriores.
- Inspeccione por acumulación excesiva de espuma en el tanque de recuperación. Use una solución recomendada de control de espuma para prevenir daños al motor.

**ATENCIÓN: La espuma no activa el tamiz flotante de corte. Los daños al motor debidos a la espuma o agua no están cubiertos por la garantía.**

- Cuando se activa el tamiz flotante de corte, se interrumpe la aspiración de agua. En este punto drene el tanque de recuperación y vuelva a llenar el tanque de solución. (Vea TANQUES DE DRENAJE).

- Si el motor del cepillo o de aspiración se para, puede haberse activado un interruptor de circuito. Apague la máquina, desenchufe el cordón de potencia e inspeccione por obstrucciones. Permita que el motor se enfríe y reagradúe manualmente el botón del interruptor de circuito, ubicado en la caja del conmutador.
- Eleve el cepillo/cabezal de aspiración al transportar la máquina al área de drenaje.

## LIMPIEZA DE LA CAJA DE ACCESORIOS

Vea Opciones.

- Desconecte la manguera de vacío de la cúpula de recuperación y conecte la herramienta de accesorio de la manguera de aspiración (Figura 15).
- Conecte la herramienta de accesorio de la manguera de solución al acople rápido, ubicado al frente de la manija (Figura 15).



FIG. 15

- Fije la herramienta de accesorio deseado a la manguera.
- Conecte el conmutador de energía principal.
- Comience a operar la herramienta de los accesorios (Figura 16).

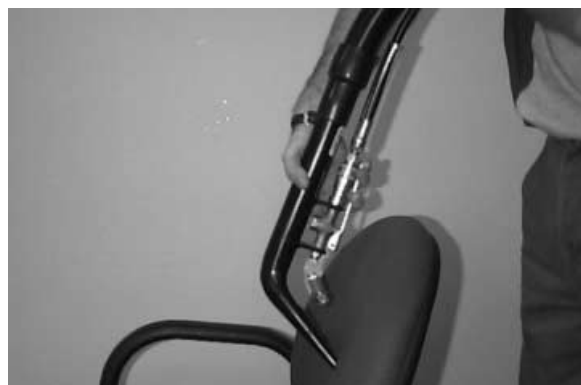


FIG. 16

**NOTA:** Al limpiar tapicería, consulte siempre las instrucciones de limpieza cosidas en el mueble por el fabricante.

# OPERACIÓN

- Después de operar la herramienta de accesorio y antes de desconectar la manguera, elimine la presión del agua de la herramienta. Oprima el gatillo por cinco segundos después de desconectar los conmutadores.

## AJUSTE DE LA ALTURA DEL CEPILLO

- Apague la máquina y desenchufe el cordón de energía del tomacorrientes de pared.

**PARA PROTECCION: Apague la máquina y desenchufe el cordón del tomacorrientes de la pared, antes de dejar o prestar servicio a la máquina.**

- Para ajustar la altura del cepillo, use un destornillador estándar y gire la palanca de ajuste de altura del cepillo en incrementos de 1/4 de vuelta, 4 graduaciones (Figura 17).

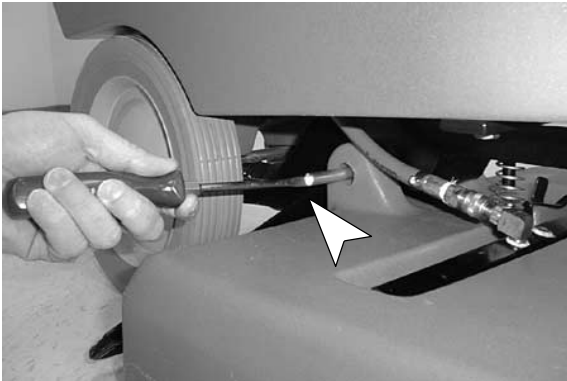


FIG. 17

## TANQUES DE DRENAJE

**PARA PROTECCION: Apague la máquina y desenchufe el cordón del tomacorrientes de la pared, antes de dejar o prestar servicio a la máquina.**

**NOTA:** Use siempre baldes separados al drenar y llenar la máquina.

## DRENAJE DEL TANQUE DE RECUPERACION

- Desconecte el conmutador de energía y desenchufe el cordón de energía. Eleve la manija elevadora del cepillo y transporte la máquina al área de drenaje.
- Gire la perilla de la manguera de drenaje en sentido contrario a las agujas del reloj y tire hacia afuera del tapón para drenar (Figura 18).



FIG. 18

- Después de drenar, vuelva a colocar bien la perilla de la manguera de drenaje.

## DRENAJE DE LA SOLUCION DE LIMPIEZA RESTANTE

- Conecte 1 m (3 pies) de la manguera de bombeo, provista con la máquina, al acople de solución de la máquina (Figura 19).



FIG. 19

- Dirija la manguera a un balde o drenaje de piso.
- Conecte el conmutador de energía principal.

**NOTA:** Usted puede usar también la manguera de bombeo para enjuagar el tanque de recuperación cuando hay agua restante.



## MANTENIMIENTO DE LA MAQUINA

Para mantener la máquina en buen estado de funcionamiento, simplemente observe los procedimientos de mantenimiento diarios, semanales y mensuales de la máquina.

**PARA PROTECCION: Desenchufe el cordón del tomacorrientes de la pared, antes de prestar servicio a la máquina.**

### MANTENIMIENTO DIARIO (Cada 4 horas de operación)

1. Después de cada uso enjuague bien el tanque y la cúpula de recuperación.
2. Extraiga el tamiz flotante de corte y limpie. El tamiz está ubicado en el tanque de recuperación (Figura 20).



FIG. 20

3. aspire la solución restante del tanque de solución, usando la manguera de limpieza de 1 m (3 pies).
4. Extraiga y enjuague el diafragma del tamiz del tanque.
5. Extraiga las fibras y los desechos atrapados de la alfombra en el cepillo.
6. Extraiga los desechos taponados en el cabezal de aspiración.
7. Inspeccione por daños el cordón de energía, reemplace si es necesario. Enrolle prolijamente el cordón después de cada uso.
8. Limpie la máquina con un limpiador no abrasivo y sin solvente.

### MANTENIMIENTO SEMANAL (Cada 20 horas de operación)

1. Inspeccione la manguera de vacío por orificios y bandas sujetadoras flojas.

2. Inspeccione el patrón de rociado por taponamiento. De estar taponado, extraiga las puntas rociadoras y sumerja en solución de ácido acético por hasta seis horas. No use objetos aguzados para destapar las puntas ya que puede resultar en daños.

**PARA PROTECCION: Al usar la máquina, siga las instrucciones de mezcla y manejo en los recipientes de sustancias químicas.**

3. Inspeccione por daños el cordón flexible, la empuñadura del cordón y el cordón separable de energía. Si está dañado reemplace inmediatamente.

### MANTENIMIENTO MENSUAL (Cada 80 horas de operación)

1. Para disolver la acumulación normal de sustancias químicas alcalinas lave el sistema de la bomba con solución de ácido acético. Siga las instrucciones de abajo:

**PARA PROTECCION: Al usar la máquina, siga las instrucciones de mezcla y manejo en los recipientes de sustancias químicas.**

- a. Premezcle .5 L (16 oz) de una solución de ácido acético con 7.5 L (2 gal) de agua caliente, 60° C (140° F) máximo y vierta en el tanque de solución.
  - b. Conecte el conmutador de energía principal.
  - c. Coloque en posición el cepillo/cabezal de vacío sobre el drenaje de piso y active el botón de cepillo/rociado por un minuto.
  - d. Apague la máquina y permita que la solución restante disuelva la acumulación alcalina durante la noche.
  - e. Al día siguiente, rocíe la solución restante y lave el sistema con 11 L (3 gal) de agua limpia.
2. Lubrique las ruedas y rueda metálica con un aceite resistente al agua.
  3. Inspeccione la máquina por pérdidas de agua.
  4. Inspeccione la máquina por tornillos flojos.

### MANTENIMIENTO TRIMESTRAL (Cada 250 horas de operación)

Inspeccione el motor de vacío por desgaste de las escobillas de carbón. Reemplace las escobillas cuando estén desgastadas a un largo de 10 mm (0.38 in) o menos. Para inspeccionar las escobillas de carbón consulte con el Centro de Servicio.

# OPERACIÓN

## SERVICIO A LA MAQUINA

**ATENCIÓN:** Las reparaciones a la máquina deben efectuarse por personal autorizado solamente.

**⚠ ADVERTENCIA:** Voltaje riesgoso. Puede resultar el choque eléctrico o electrocución. Siempre desenchufe la máquina antes de prestar servicio.

**PARA PROTECCION:** Al prestar servicio a la máquina, use piezas de repuesto provistas o aprobadas por el fabricante.

Para obtener acceso a los componentes internos para reparar:

1. Extraiga el tornillo del acople de la manija elevadora según se muestra, se requiere una llave de 0.5 pulgadas (Figura 21).



FIG. 21

**ATENCIÓN:** Antes de abrir asegúrese que los tanques estén vacíos.

2. Extraiga dos pernos de cabeza hexagonal al frente de la máquina, se requiere una llave de 9/16".
3. Gire el tanque hacia atrás alejado del bastidor (Figura 22).

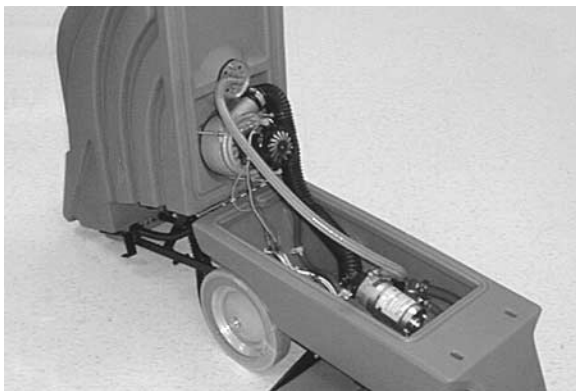


FIG. 22

4. Al cerrar la máquina, tenga cuidado en no presionar las mangueras o el cableado interno.

## ALMACENAMIENTO DE LA MAQUINA

1. Asegúrese de limpiar los tanques y drenar la máquina de todo el agua, antes de almacenar la misma.
2. Almacenar la máquina en un área seca en posición vertical con el cepillo/cabezal de aspiración elevado sobre el piso.
3. Extraiga la cúpula de recuperación para promover la circulación de aire.

**ATENCIÓN:** No exponga a la lluvia. Almacene bajo techo.

**ATENCIÓN:** Si se almacena la máquina a temperaturas de congelación, asegúrese que la bomba y el sistema rociador de la máquina estén completamente drenados y secos. Los daños debidos a temperaturas de congelación no están cubiertos por la garantía.

## ARTICULOS RECOMENDADOS PARA MANTENER EN STOCK

Para los artículos recomendados para mantener en existencia, referirse la al Lista de Piezas. Los artículos para mantener en stock están claramente identificados con una bala delante de la descripción de las piezas. Vea el ejemplo de abajo:

Ref.	Part No.	Description	Qty.
1	701103	ASM.,STANDPIPE	1
2	180613	●FLOAT, SHUTOFF	1
3	230187	NIPPLE	1
4	101714	●GASKET	1
5	210240	NUT, FLANGED	1

**LOCALIZACION DE FALLAS**

<b>PROBLEMA</b>	<b>CAUSA</b>	<b>SOLUCION</b>
La máquina no funciona.	Conmutador de energía principal o cableado defectuoso.	Consulte con el Centro de Servicio.
	Interruptor de circuito de la máquina activado.	Regradúe el interruptor de circuito.
	Cordón de energía defectuoso.	Consulte con el Centro de Servicio.
	Interruptor de circuito del edificio activado.	Regradúe el interruptor.
La bomba de solución no funciona.	Bomba recalentada.	Determine la causa, espere 20 minutos para que la bomba se enfríe y regradúe el interruptor.
	Bomba de solución defectuosa.	Consulte con el Centro de Servicio.
	Solenoides defectuosos.	Consulte con el Centro de Servicio.
	Conmutador de cepillo/rociador defectuoso.	Consulte con el Centro de Servicio.
	Cableado flojo o roto.	Consulte con el Centro de Servicio.
El motor de vacío no funciona.	Recalentador térmico del motor de vacío activado.	Inspeccione el flujo de aire por obstrucción y espere 20 minutos para que el motor se enfríe.
	Cableado flojo o roto.	Consulte con el Centro de Servicio.
	Conmutador de energía principal defectuoso.	Consulte con el Centro de Servicio.
	Motor de vacío defectuoso.	Consulte con el Centro de Servicio.
	Escobillas de carbón desgastadas.	Reemplace las escobillas o llame para el servicio.
El motor del cepillo no funciona.	Interruptor de circuito del motor del cepillo activado.	Extraiga la obstrucción del cepillo. Regradúe el botón del interruptor del circuito en la caja del conmutador.
	Botón del cepillo/rociador no se ha oprimido.	Oprima el botón del cepillo/rociador.
	Motor del cepillo defectuoso.	Consulte con el Centro de Servicio.
	Correa del cepillo floja o rota.	Consulte con el Centro de Servicio.
	Conmutador o cableado defectuoso.	Consulte con el Centro de Servicio.
Mala aspiración.	Tapón de la manguera de drenaje flojo.	Tape bien la manguera de drenaje.
	Tanque de recuperación lleno.	Drene el tanque de recuperación.
	Tamiz flotante de corte taponado.	Extraiga la cúpula de recuperación y limpie la pelusa del tamiz.
	Pérdida de aire alrededor de la cúpula de recuperación.	Ajuste las perillas de la cúpula de recuperación o reemplace las juntas.
	Conexiones de la manguera de vacío flojas.	Asegure las conexiones.
	Manguera de vacío defectuosa.	Reemplace la manguera.
	Bandas sujetadoras de la manguera de vacío flojas.	Asegure las bandas sujetadoras a la manguera.
	Cabezal de vacío taponado.	Desprenda los desechos del cabezal de vacío.
	Empuja la máquina demasiado rápido.	Limpie a menos velocidad.

# OPERACIÓN

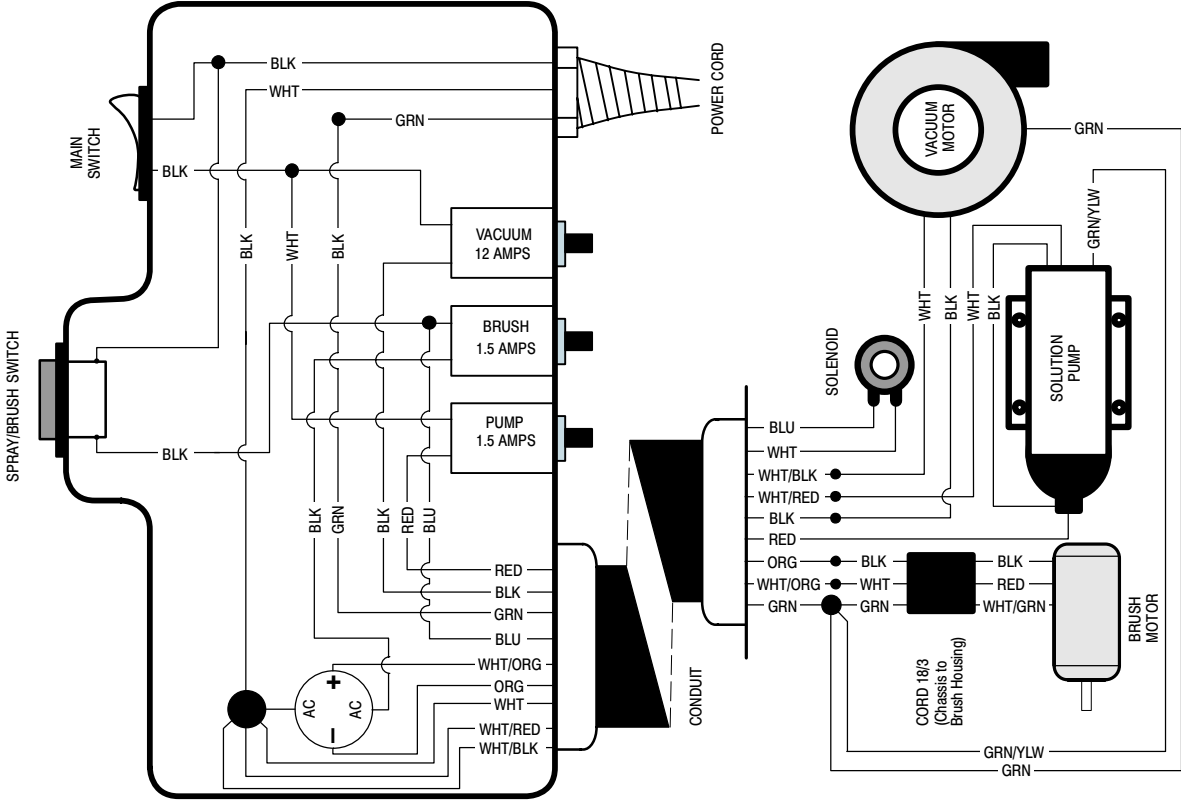
## LOCALIZACION DE FALLAS (CONT.)

Rociado irregular o faltante.	Puntas de rociado sucias o taponadas.	Limpie o reemplace las puntas.
	Tamaño de la punta de rociado o ángulo de rociado incorrectos.	Reemplazar con puntas apropiadas.
	Puntas de rociado gastadas.	Reemplace las puntas de rociado.
	Tanque de solución bajo o vacío.	Llene el tanque de solución.
	Bomba de solución defectuosa.	Consulte con el Centro de Servicio.
	Filtro del tanque de solución taponado.	Limpie el filtro.

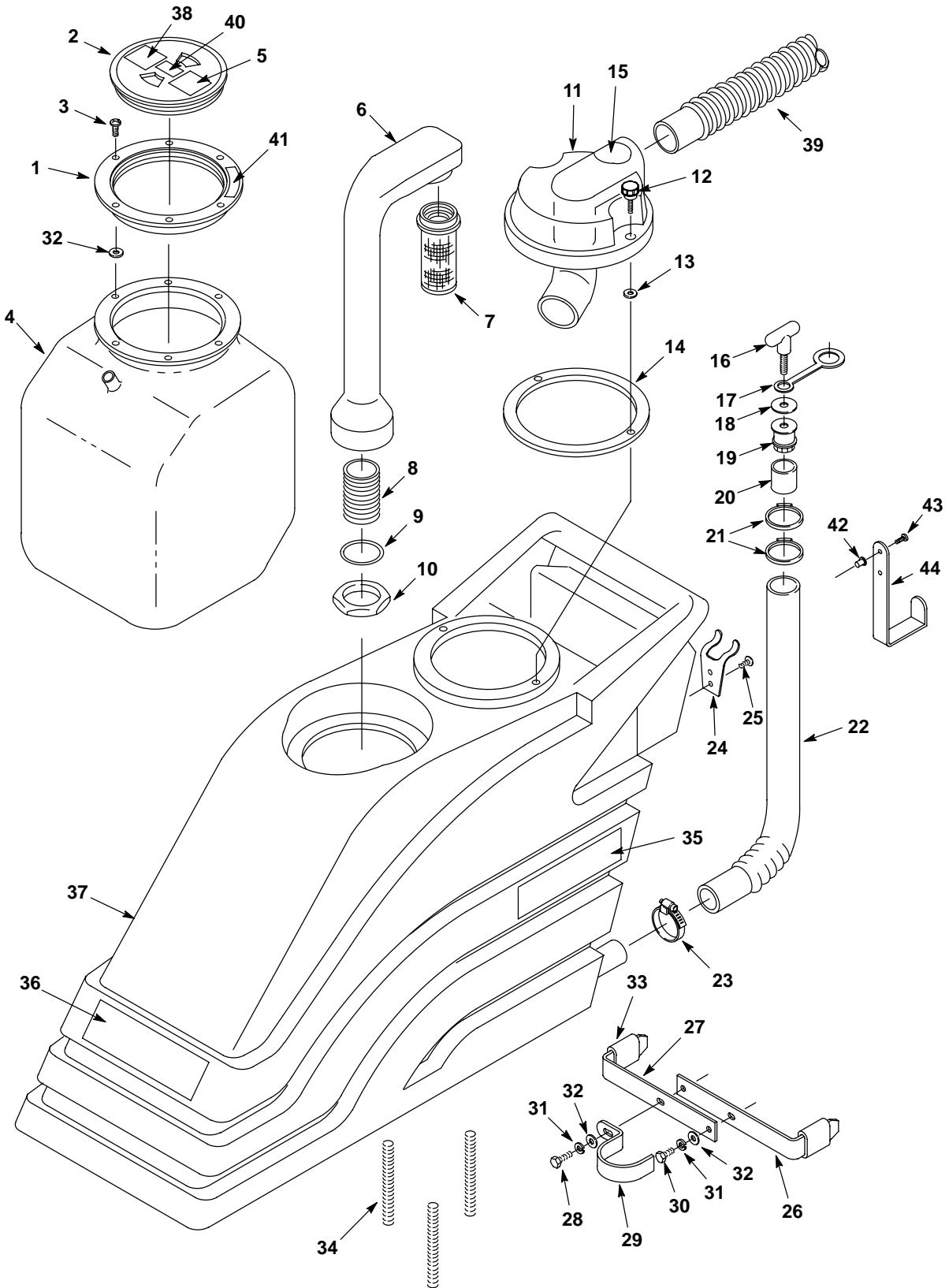
## ESPECIFICACIONES

<b>Modelo</b>	<b>Frontier™ Carpet Extractor</b>
LARGO	1180 mm (46.5 pulg.)
ANCHO	510 mm (20 pulg.)
ALTO	940 mm (37 pulg.)
PESO	54 Kg (120 lbs)
ANCHO DEL RECORRIDO DE LIMPIEZA	510 mm (20 pulg.)
CAPACIDAD DEL TANQUE DE SOLUCION	38 ltr (10 gal)
CAPACIDAD DEL TANQUE DE RECUPERACION	55 ltr (14.5 gal)
BOMBAS DE SOLUCION	120V, 6.9 barías/100 psi, 1 amperio
BOQUILLAS ROCIADORAS	5– 80015 Quickjet
MOTOR DE VACIO	120 V, 3–etapas, 1.8 hp, 13 amp, 1560 vatios
ELEVADOR SELLADO DE AGUA	3.5 m (137 pulg.)
MOTOR DEL CEPILLO	120V, .1 hp, 1800 rpm, .75 A, 90 Vatios
LARGO DEL CORDON DE ENERGIA	120 V –23 m (75 ft)
CONSUMO TOTAL DE ENERGIA	120V, 14.2 A, 1710 Vatios
CLASIFICACION NOMINAL DE DECIBELES AL OIDO DEL OPERADOR, BAJO TECHO SOBRE LA ALFOMBRA	80dB(A)

120V



RECOVERY TANK GROUP  
CONJ. DESPOSITO RECUPERAR



### RECOVERY TANK GROUP CONJ. DESPOSITO RECUPERAR

REF	PART #	DESCRIPTION	QTY.
▽	100103	●ASSEMBLY, LID	1
▲ 1	600812	LID, OUTER RING ONLY (BLACK)	1
▲ 2	100105	LID, CENTER ONLY (CLEAR)	1
3	140900	SCREW, 10-24 X 3/4	6
4	602715	BLADDER, 10 GAL. MODEL	1
5	578729	DECAL, READ MANUAL	1
6	602448	STANDPIPE, 10 GAL. MODEL	1
7	180613	●FLOAT, SHUT-OFF	1
8	606088	NIPPLE	1
9	230159	O-RING, STANDPIPE	1
10	210240	NUT, FLANGED METAL	1
▽ 11	701005	ASM., DOME	1
▲ 12	240217	KNOB, DOME	2
▲ 13	140037	WASHER, NYLON	2
▲ 14	100042	●GASKET, RECOVERY DOME	1
▲ 15	120399	DECAL, DO NOT ALLOW FOAM	1
▽	701061	●ASM., DRAIN HOSE	1
▲ 16	230831	KNOB, DRAIN HOSE	1
▲ 17	230882	●STRAP	1
▲ 18	140056	WASHER, FENDER	1
▲ 19	140955	PLUG	1
20	140921	SLEEVE, DRAIN HOSE	1
21	140072	CLAMP	2
22	160416	HOSE, DRAIN	1

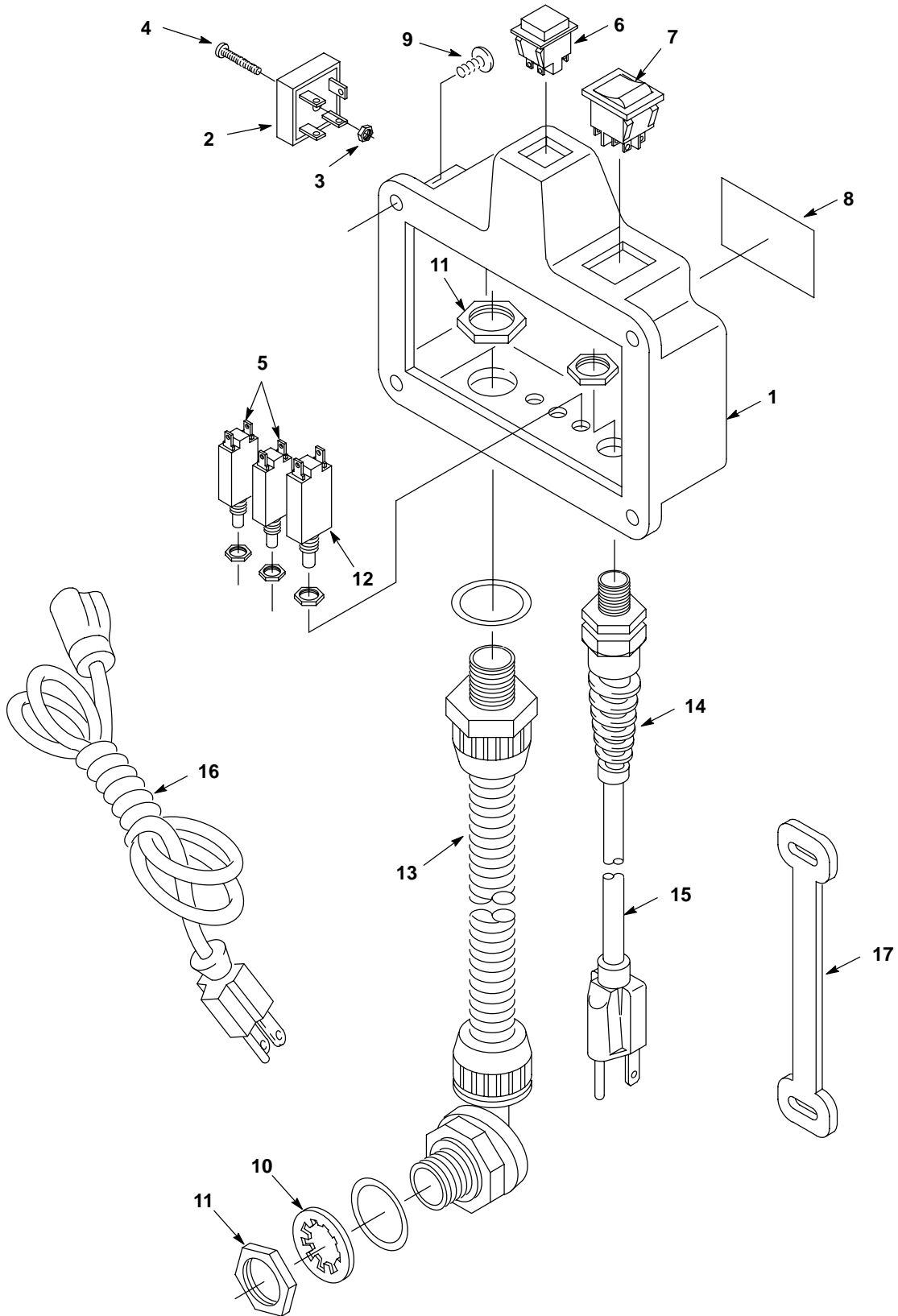
REF	PART #	DESCRIPTION	QTY.
23	140307	CLAMP	1
24	230696.BK	BRACKET, DRAIN HOSE	1
25	140825	SCREW, #6X3/4	2
26	230843	BRACKET, TANK BRACE W/THREADS	1
27	230844	BRACKET, TANK BRACE W/HOLES	1
28	140259	SCREW, 1/4-20X5/8	1
29	230955	CLAMP	1
30	140553	SCREW, 1/4-20X1/2	1
31	140016	WASHER, LOCK	2
32	140000	WASHER, 1/4 FLAT	8
33	102569	TANK, GASKET	2
34	140227	STUD, 1/4-20X5	3
35	608472	DECAL, FRONTIER	2
36	608186	DECAL, "NOBLES"	1
37	<del>608532</del>	TANK, RECOVERY, GREEN 608807	1
38	630420	DECAL, FLAMMABLE MATERIAL	1
39	603547	●HOSE, VAC 1-1/2 X 46" W/CUFFS	1
40	120906	DECAL, IMPORTANT DRAIN	1
41	120907	DECAL, IMPORTANT ALWAYS CLOSE	1
42	140637	NUT, WELL 10-32	2
43	140887	SCREW, 1024X3/8 PANPHL	2
44	230755.BK	BRACKET, CORD HANGER BLACK	1

▽ ASSEMBLY / CONJUNTO

▲ INCLUDED IN ASSEMBLY / INCLUIDO EN EL CONJUNTO

● RECOMMENDED STOCK ITEMS / ARTICULOS RECOMENDADOS PARA MANTENER EN EXISTENCIA

CONTROL CONSOLE GROUP (120V MODEL)  
CONJUNTO CONSOLA DE CONTROLES (120V MODELO)





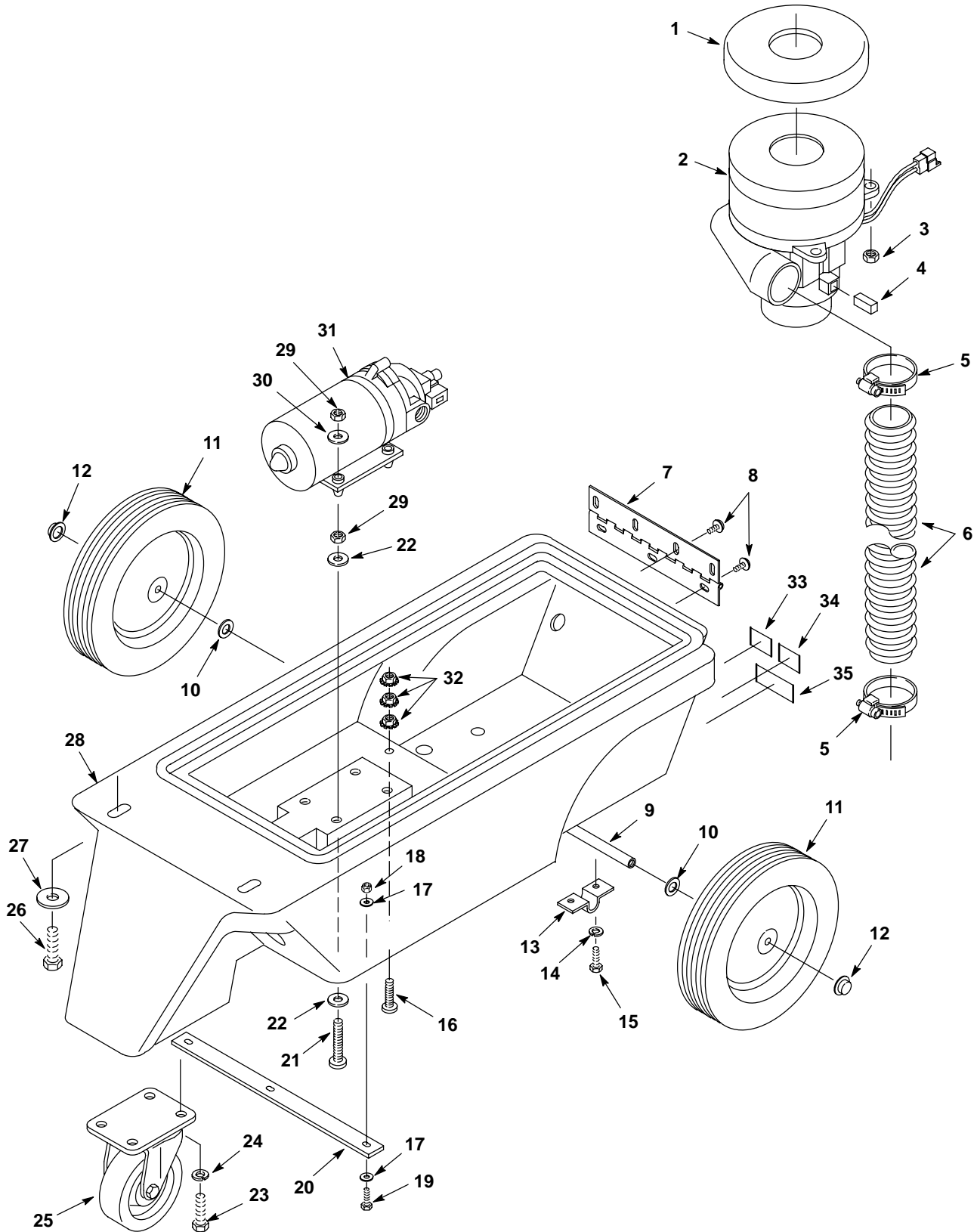
**CONTROL CONSOLE GROUP (120V MODEL)  
CONJUNTO CONSOLA DE CONTROLES (120V MODELO)**

REF	PART #	DESCRIPTION	QTY.
1	608458	ASM, SWITCHBOX, GREEN	1
	608538	SWITCHBOX ONLY, GREEN	1
2	130304	●RECTIFIER, MINIBRIDGE 600V	1
3	140534	NUT, NYLON	1
4	140879	SCREW, 6-32X3/4	1
5	578337000	●BREAKER, CIRCUIT 1.5AMP (120V)	2
6	606713	●SWITCH, ALTERNATING (120V)	1
7	130717	●SWITCH, ROCKER (120V)	1
8	120619	DECAL, WARNING EXTRACTOR	1

REF	PART #	DESCRIPTION	QTY.
9	140824	SCREW 1/4-20X5/8	4
10	140044	WASHER 13/16 INT	1
11	140504	NUT, CONDUIT	2
12	130670	●BREAKER, CIRCUIT 12AMP (120V)	1
13	130977	HARNESS, WIRE	1
14	130166	●GRIP, CORD	1
15	130237	●CORD, 16/3X18" YELLOW (120V)	1
16	130229	CORD, 14/3 X 75' YELLOW SMOOTH (120V)	1
17	604393	STRAP, CORD, STRAIN RELIEF	1

● RECOMMENDED STOCK ITEMS / ARTICULOS RECOMENDADOS PARA MANTENER EN EXISTENCIA

CHASSIS GROUP  
CONJUNTO TELAIO



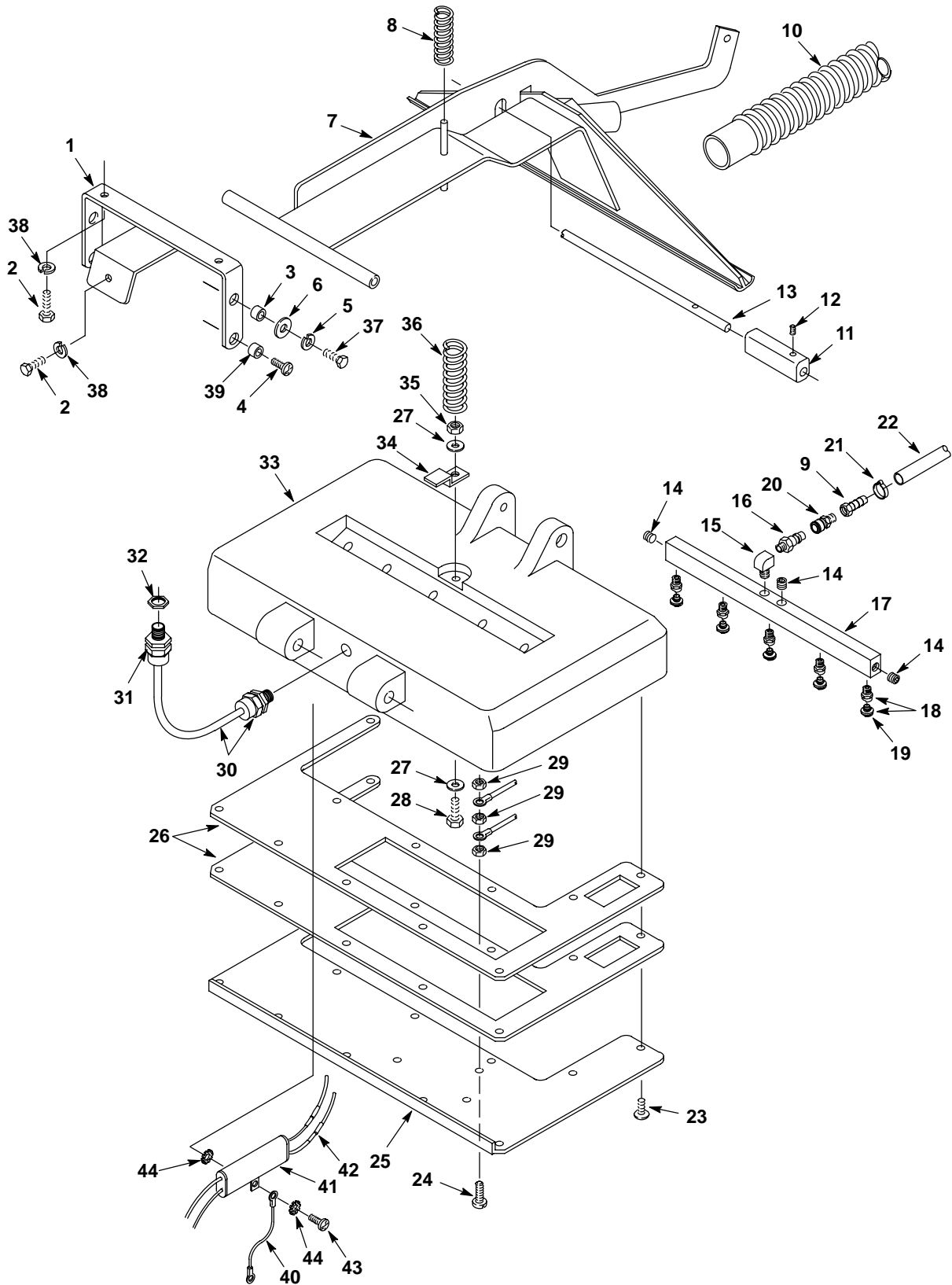
**CHASSIS GROUP**  
**CONJUNTO TELAIO**

REF	PART #	DESCRIPTION	QTY.
1	100118	●GASKET, VAC MOTOR (120V)	1
	100038	●GASKET, VAC MOTOR (230V/240V)	1
2	130996	●MOTOR, VAC (120V)	1
	603042	COVER, VAC FAN (120V)	1
3	140501	NUT 1/4-20 NYLOCK	4
4	600177	●BRUSH, CARBON 2/PK (120V)	2
	190158	●BRUSH, CARBON 2/PK (230V/240V)	2
5	140308	CLAMP, HOSE 1-5/16 TO 2-1/4	2
6	606160	HOSE, EXHAUST 2" X 24"	1
7	230390	HINGE, TANK	1
8	140885	SCREW, 1/4-20X1/2 TRSPHL	7
9	230739	AXLE	1
10	140008	WASHER, 1/2 FLAT	2
11	103068	WHEEL, 10" X 1.75"	2
12	103019	CAP, HUB	2
13	230746	BRACKET, AXLE OFFSET	2
14	140016	WASHER, 1/4 LOCK	4
15	140259	SCREW, 1/4-20X5/8 HXHDCP	4

● RECOMMENDED STOCK ITEMS / ARTICULOS RECOMENDADOS PARA MANTENER EN EXISTENCIA

REF	PART #	DESCRIPTION	QTY.
16	140804	SCREW, 10-24X1	1
17	140000	WASHER, 1/4 FLAT	6
18	140501	NUT, 1/4-20 NYLOCK	3
19	140208	SCREW, 1/4-20X1	3
20	604640	BRACKET, CHASSIS SUPPORT	1
21	140899	SCREW, 10-24X1-1/4	4
22	140011	WASHER, 3/16 FLAT	8
23	140226	SCREW, 5/16-18X3/4 HXHDCP	4
24	140015	WASHER, 5/16 SPLITLOCK	4
25	103065	●CASTER, SWIVEL 4"	1
26	140256	SCREW, 3/8-16XX2-1/2	2
27	140028	WASHER, FLAT	2
28	608831	CHASSIS, GREEN	1
29	140519	NUT, 10-24 KEP	8
30	140012	WASHER, 3/16 FLAT	4
31	180103	PUMP, 100PSI (120V)	1
32	140519	NUT, 10-24 KEP	3
33	N/A	DECAL, CE (240V MODEL)	1
34	N/A	DECAL, KEMA (240V MODEL)	1
35	N/A	DECAL, EMC APPROVED (240V MODEL)	1

**BRUSH HOUSING GROUP**  
**GRUPO DEL BASTIDOR DEL CEPILLO**



**BRUSH HOUSING GROUP**  
**GRUPO DEL BASTIDOR DEL CEPILLO**

REF	PART #	DESCRIPTION	QTY.	
1	603175	BRACKET, MOUNT	1	
2	140226	SCREW, 5/16-18X5/8 HXHDCP	3	
3	140136	BUSHING, 3/8ID X 1/2OD	2	
4	140898	SCREW, 3/8-16X3/4 TRSPHL	2	
5	140017	WASHER, 3/8 SPLITLOCK	2	
6	140028	WASHER, 3/8 FLAT	2	
7	603184	TOOL, PICKUP W/LEVER	1	
8	603448	SPRING, TOOL PRESSURE	1	
9	150520	FITTING, 1/8FX1/4H BARB	1	
10	603547	HOSE, VACUUM 1-1/2X46"	1	
11	603178	CAM ADJUSTER	1	
12	140859	SCREW, SET 1/4-20X1/4	1	
13	603177	LEVER, CAM ADJUSTER	1	
∇	606844	ASM, SPRAYBAR, 20"	1	
▲	14	150208	FITTING, 1/8M PLUG	3
▲	15	150430	FITTING 1/8MX1/4F ELBOW	1
▲	16	150921	●FITTING 1/8M QD CPLR, BRS	1
▲	17	230379	MANIFOLD, SPRAYBAR, 20"	1
▲	18	201011	●NOZZLE, BRASS	5
▲	19	201013	●REPLACEMENT FITTING TIP 80015 FOR 201011	
	20	150915	●FITTING, 1/8 QD CPLR BRASS	1
	21	140325	CLAMP, EAR, 1/2"	1
	22	606453	HOSE, 1/4" X 1.25' LP, GRAY	1

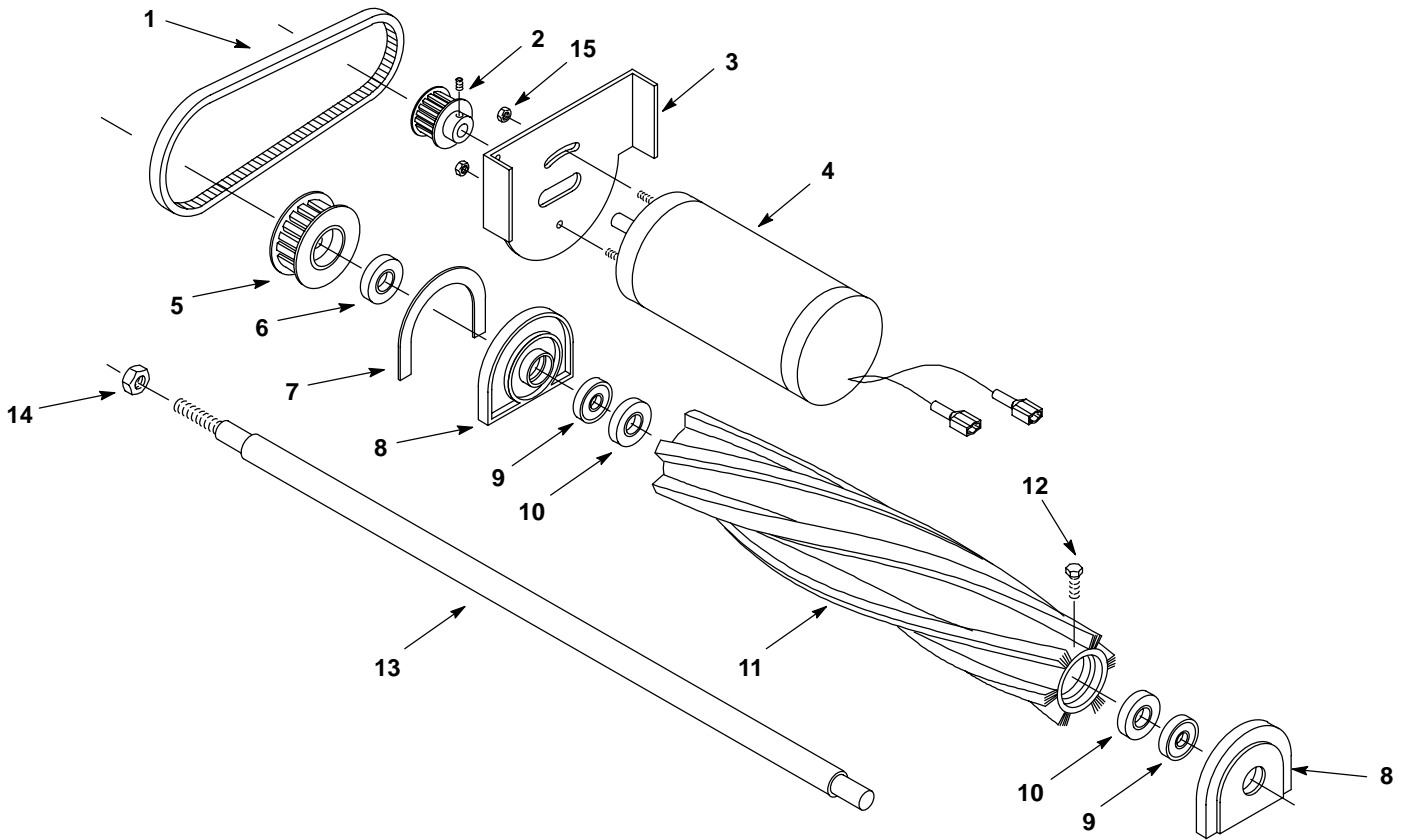
REF	PART #	DESCRIPTION	QTY.	
23	140887	SCREW, 10-24X3/8	12	
24	140900	SCREW, 10-24X3/4	1	
25	230367.BK	PLATE, BRUSH BASE, 20"	1	
26	100115	GASKET, 20" PWR BRSH BASE	1	
27	140028	WASHER, 3/8 FLAT	2	
28	140233	SCREW, 3/8-16X1-3/4 HXHDCP	1	
29	140519	NUT, KEP	3	
30	603561	CORD, 18/3 X 24", BLACK	1	
31	130181	CORD GRIP (FOR SERVICE ONLY)	1	
32	140504	NUT, CONDUIT	1	
33	604494	BASE, BRUSH, 20" BLACK	1	
34	606712	LATCH, SPRAYBAR	1	
35	140515	NUT, 3/8-16 NYLOCK	1	
36	140407	SPRING, .845OD	1	
37	140201	SCREW, 3/8-16X3/4	2	
38	140015	WASHER, 5/16 SPLTLCK	3	
39	140914	SPACER, .38X.50X.25	2	
40	600692	CABLE, STRAIN RELIEF (240V MODEL)	1	
∇	604628	ASM., FILTER, RFI (240V MODEL)	1	
▲	41	600694	FILTER, RFI (240V MODEL)	1
▲	42	600693	CHOKE (240V MODEL)	2
	43	140350	SCREW (240V MODEL)	1
	44	140031	WASHER #10 EXT (240V MODEL)	2

∇ ASSEMBLY / CONJUNTO

▲ INCLUDED IN ASSEMBLY / INCLUIDO EN EL CONJUNTO

● RECOMMENDED STOCK ITEMS / ARTICULOS RECOMENDADOS PARA MANTENER EN EXISTENCIA

**BRUSH BREAKDOWN**  
**CONJUNTO DE CEPILLO**



REF	PART #	DESCRIPTION	QTY.
1	230507	●BELT, BRUSH DRIVE	1
2	230506	●PULLEY, MOTOR	1
3	230366	BRACKET, MOTOR (120V/230V)	1
4	130471	●MOTOR, BRUSH DRIVE (120V)	1
	190150	●BRUSH, CARBON (120V)	1
	575782	●BRUSH, CARBON (240V)	1
▽	700094	ASSEMBLY, BRUSH	1
▲ 5	230505	●PULLEY, BRUSH	1

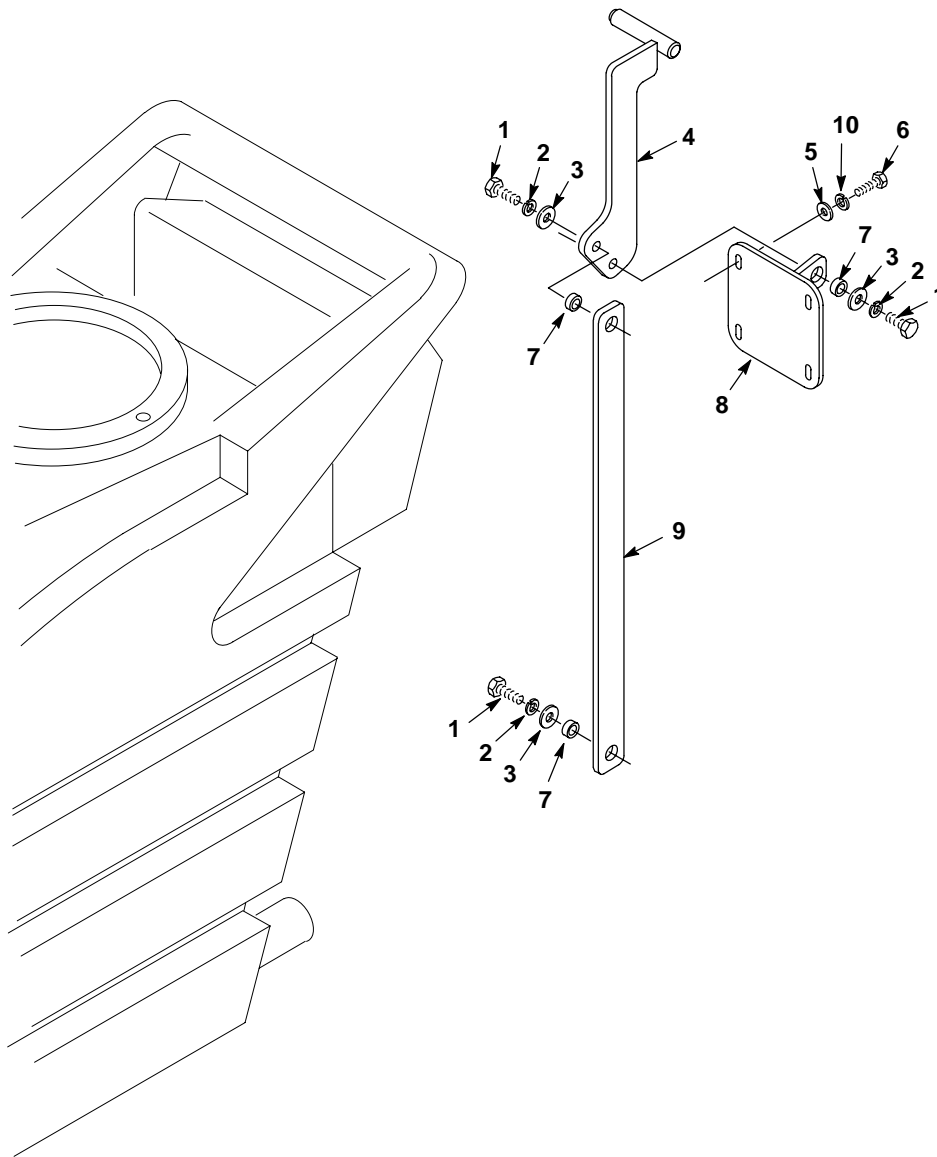
REF	PART #	DESCRIPTION	QTY.
▲ 6	230363	SPACER	1
▲ 7	100005	●GASKET, BEARING BLOCK	1
▲ 8	230261	●BLOCK, BEARING	2
▲ 9	140125	●BEARING, BRUSH	2
▲ 10	100049	●SEAL, BRUSH BEARING	2
▲ 11	240050	●BRUSH, CYLINDER	1
▲ 12	140554	SCREW, 1/4-20X3/4	4
▲ 13	230362	●SHAFT, BRUSH	1
▲ 14	140548	NUT, 5/16 FINJAM	1
15	140518	NUT, KEP 10-32	2

▽ ASSEMBLY / CONJUNTO

▲ INCLUDED IN ASSEMBLY / INCLUIDO EN EL CONJUNTO

● RECOMMENDED STOCK ITEMS / ARTICULOS RECOMENDADOS PARA MANTENER EN EXISTENCIA

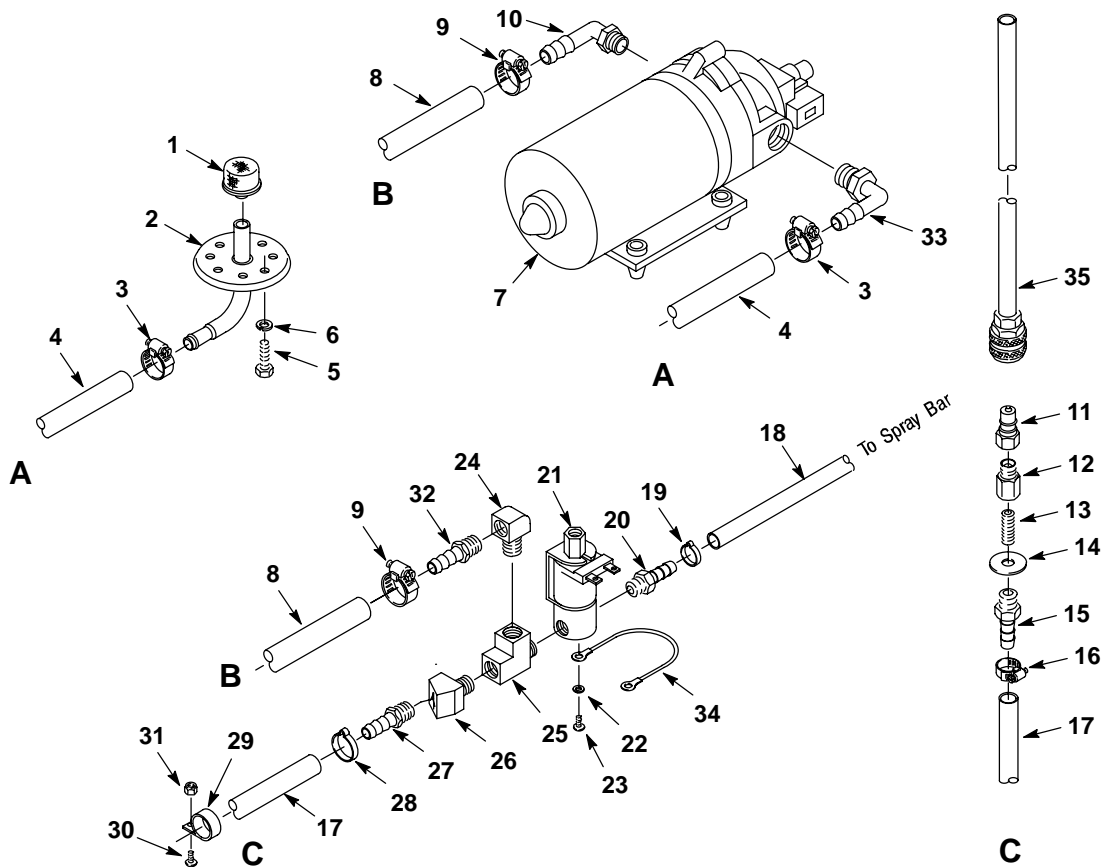
BRUSH HOUSING LIFT LEVER GROUP  
GRUPO DE PALANCA PARA ELEVAR LA COJA DE CEPILLO



REF	PART #	DESCRIPTION	QTY.
1	140226	SCREW, 5/16 18X5/8 HXHD	3
2	140015	WASHER, 5/16 SPLITLOCK	3
3	140027	WASHER, 5/16 FLAT	3
4	603414	HANDLE, LIFT	1
5	140000	WASHER, 1/4 FLAT	4

REF	PART #	DESCRIPTION	QTY.
6	140259	SCREW, 1/4-20X5/8	4
7	603415	BUSHING, PIVOT	3
8	603413	BRACKET, LIFT MOUNT	1
9	603412	PLATE, LIFT	1
10	140016	WASHER, LOCK	4

**PLUMBING GROUP**  
**GRUPO DE TUBERÍAS**



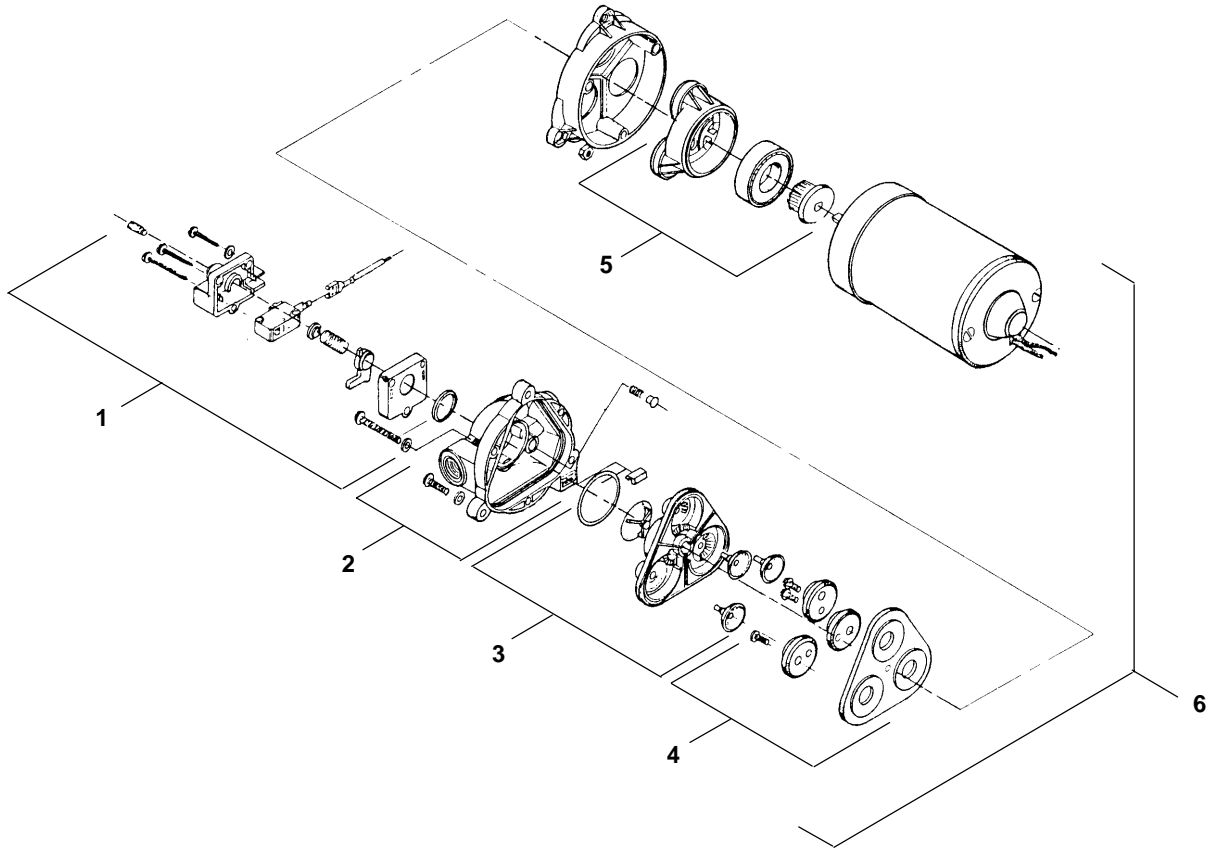
REF	PART #	DESCRIPTION	QTY.
1	180628	●SCREEN, TANK	1
2	600451	BLADDER PLATE	1
3	140310	CLAMP	2
4	606452	HOSE, 3/8" X 2.75' LP, GRAY	1
5	140259	SCREW	4
6	140016	WASHER, LOCK	4
7	180103	●PUMP, 100PSI (120V)	1
8	606162	HOSE, 1/2" X 26"	1
9	630369	CLAMP	2
10	150425	ELBOW, 3/8M X 1/2H	1
11	150933	QUICK COUPLER	1
12	150000	ADAPTER, 1/4FX1/4M	1
13	150600	NIPPLE, 1/4 X 2 - BRASS	1
14	140008	WASHER, FLAT	1
15	150511	FITTING, BARB, 1/4FX3/8H	1
16	140310	CLAMP	1
17	606451	HOSE, 3/8" X 4.33' LP	1
18	606453	HOSE, 1/4" X 1.25' LP	1

REF	PART #	DESCRIPTION	QTY.
19	140325	CLAMP, EAR 1/2" S/S	2
20	150515	FITTING, BARB, 1/4MX1/4H	1
21	210033	●VALVE, SOLENOID (120V 60HZ)	1
22	140023	WASHER, LOCK	2
23	140801	SCREW, 8-32X3/8	2
24	150406	ELBOW, 1/4"	1
25	150709	TEE, 1/4"	1
26	150403	FITTING, 1/4MX1/4F ELBOW, 45°	1
27	150516	FITTING, BARB, 1/4MX3/8H	1
28	140301	CLAMP, EAR	1
29	140916	CLAMP	1
30	140895	SCREW, 10-24X3/4	1
31	140552	NUT, LOCK	1
32	150517	FITTING, BARB, 1/4MX1/2H	1
33	150412	ELBOW, 3.8MX3/8H	1
34	700551	ASM., WIRE GROUND 9" 10X10	1
35	700141	HOSE, PUMP-OUT	1

● RECOMMENDED STOCK ITEMS / ARTICULOS RECOMENDADOS PARA MANTENER EN EXISTENCIA



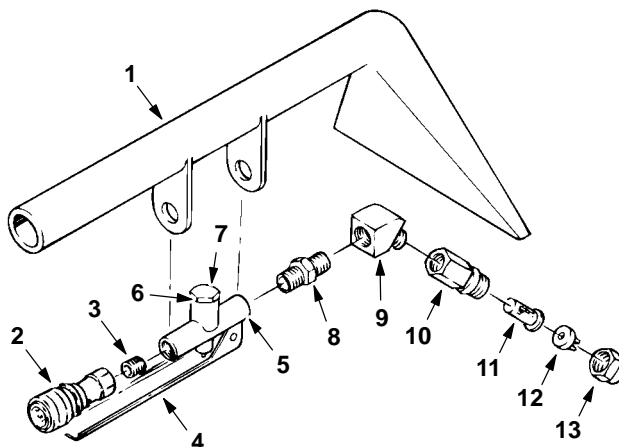
**PUMP BREAKDOWN**  
**CLASIFICACIÓN DE LA BOMBA**



REF	PART #	DESCRIPTION	QTY.
1	190129	KIT, PRESSURE SWITCH	1
	190172	KIT, PRESSURE SWITCH (VITON)	1
	190134	KIT, DIAPHRAGM ONLY	1
2	190128	KIT, UPPER PUMP HOUSING	1
	190124	KIT, CHECK VALVE ONLY	1

REF	PART #	DESCRIPTION	QTY.
3	190171	KIT, VALVE (VITON)	1
4	190131	KIT, SERVICE	1
5	190130	KIT, LOWER PUMP HOUSING	1
6	180103	PUMP, 100 PSI (120V)	1

**127mm (5 in) HAND TOOL  
ACCESORIO MANUAL**



REF	PART #	DESCRIPTION	QTY.
▽	200505	●ASSEMBLY, HAND TOOL	1
▲ 1	200431.BK	TOOL, HAND	1
▲ 2	150913	●COUPLER, QUICK (SER. 60)	1
▲ 3	150615	NIPPLE, CLOSE	1
▲ 4	200905	TRIGGER, HAND TOOL	1
▲ 5	210210	●VALVE, FLOW CONTROL	1

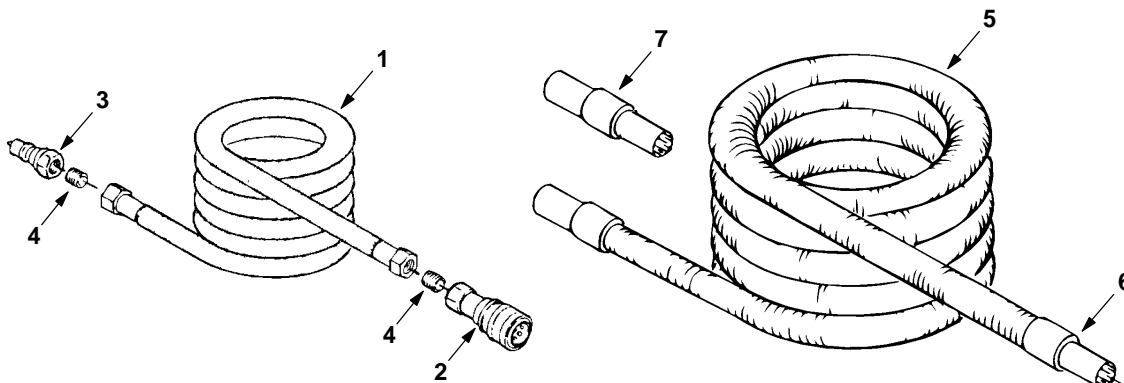
REF	PART #	DESCRIPTION	QTY.
▲ 6	190600	VALVE PIN & SPRING	1
▲ 7	N/A	CAP, VALVE	1
▲ 8	150606	NIPPLE, HEX 1/4	1
▲ 9	150403	ELBOW, ST 1/4 45°	1
▲ 10	200992	BODY, SPRAY 1/4F	1
▲ 11	200996	●SCREEN, SPRAY NOZZLE	1
▲ 12	200965	●TIP, SPRAY #8002	1
▲ 13	20094	●CAP, SPRAY BODY	1

▽ ASSEMBLY / CONJUNTO

▲ INCLUDED IN ASSEMBLY / INCLUIDO EN EL CONJUNTO

● RECOMMENDED STOCK ITEMS / ARTICULOS RECOMENDADOS PARA MANTENER EN EXISTENCIA

**SOLUTION AND VACUUM HOSES  
MANGUERAS DE DISOLUCIÓN Y ASPIRACIÓN**

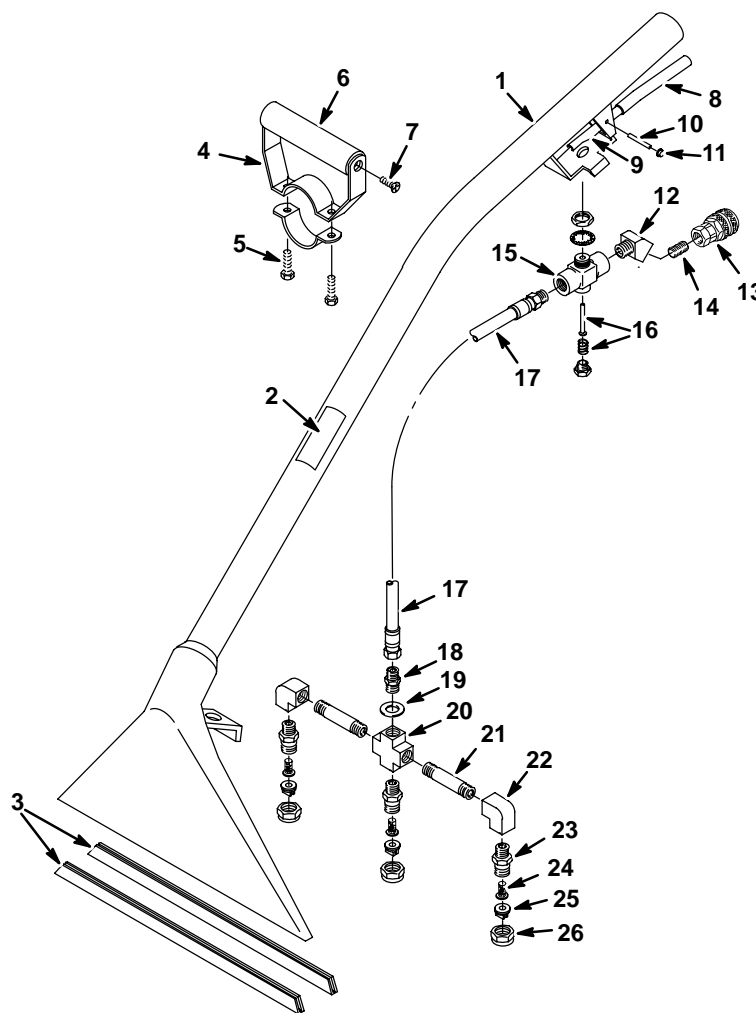


REF	PART #	DESCRIPTION	QTY.
1	160185	●HOSE, SOLUTION 4.6M (15 FT)	1
	160186	●HOSE, SOLUTION 7.6M (25 FT)	1
	160187	●HOSE, SOLUTION 15M (50 FT)	1
2	150913	●COUPLER, QUICK SER. 60	1
3	150933	●PLUG, QUICK COUPLER	1
4	150615	NIPPLE	2

REF	PART #	DESCRIPTION	QTY.
5	160400	●HOSE, VACUUM 4.6M (15 FT)	1
	160401	●HOSE, VACUUM 7.6M (25 FT)	1
	160402	●HOSE, VACUUM 15M (50 FT)	1
6	160430	●CUFF, HOSE 1-1/2"	2
7	160451	CONNECTOR, VACUUM HOSE 1.5"	1

● RECOMMENDED STOCK ITEMS / ARTICULOS RECOMENDADOS PARA MANTENER EN EXISTENCIA

330mm (13 in) FLOOR TOOL  
ACCESORIO PARA EL SUELO



REF	PART #	DESCRIPTION	QTY.	
▽	600048	●ASM., FLOOR TOOL	1	
▲	1	200403.BK	TOOL, FLOOR 330MM (13 IN)	1
▲	2	120846	DECAL, LOW PRESSURE TOOL	1
▲	3	200939	●SHOE, 330MM (13 IN) FLR TOOL	2
▲▽	4	200927	GRIP, HAND ADJ. COMPLETE	1
▲	5	140259	SCREW, 1/4-20X5/8	2
▲	6	200912	GRIP, HANDLE FOAM	1
▲	7	140834	SCREW, 1/4-20X5/8	2
▲	8	200809	SLEEVE, HANDLE	1
▲	9	200902	HANDLE, VALVE	1
▲	10	140605	PIN, HANDLE	1
▲	11	140520	NUT, 1/4 PUSH BLK	2
▲	12	150403	FITTING, 1/4MX1/4F 45 STR	1
▲	13	150913	●COUPLER, SER. 60	1

REF	PART #	DESCRIPTION	QTY.	
▲	14	150615	NIPPLE, CLOSE 1/4	1
▲▽	15	210150	●VALVE, FLOW CONTROL	1
▲	16	190603	●KIT, VALVE PIN AND SPRING	1
▲	17	160170	ASM, HOSE LOW PRESSURE	1
▲	18	150606	FITTING, 1/4MX1-3/8HEXNIP	1
▲	19	140058	WASHER, .543X.875X.062 WAND	1
▲▽		700062	ASM., SPRAYBAR WO/TIPS	1
▲	20	150700	CROSS, 1/4 FPT	1
▲	21	150600	FITTING, 1/4MX2" NIPPLE	2
▲	22	150401	FITTING, 1/4FX1/4F ELBOW 90	2
▲	23	200993	SPRAY BODY, 1/4" MALE	3
▲	24	200996	●FILTER, SCREEN 100 MESH	3
▲	25	200964	●FITTING, TIP 11003 T-JET	3
▲	26	200994	●CAP, SPRAY BODY	3

▽ ASSEMBLY / CONJUNTO

▲ INCLUDED IN ASSEMBLY / INCLUIDO EN EL CONJUNTO

● RECOMMENDED STOCK ITEMS / ARTICULOS RECOMENDADOS PARA MANTENER EN EXISTENCIA