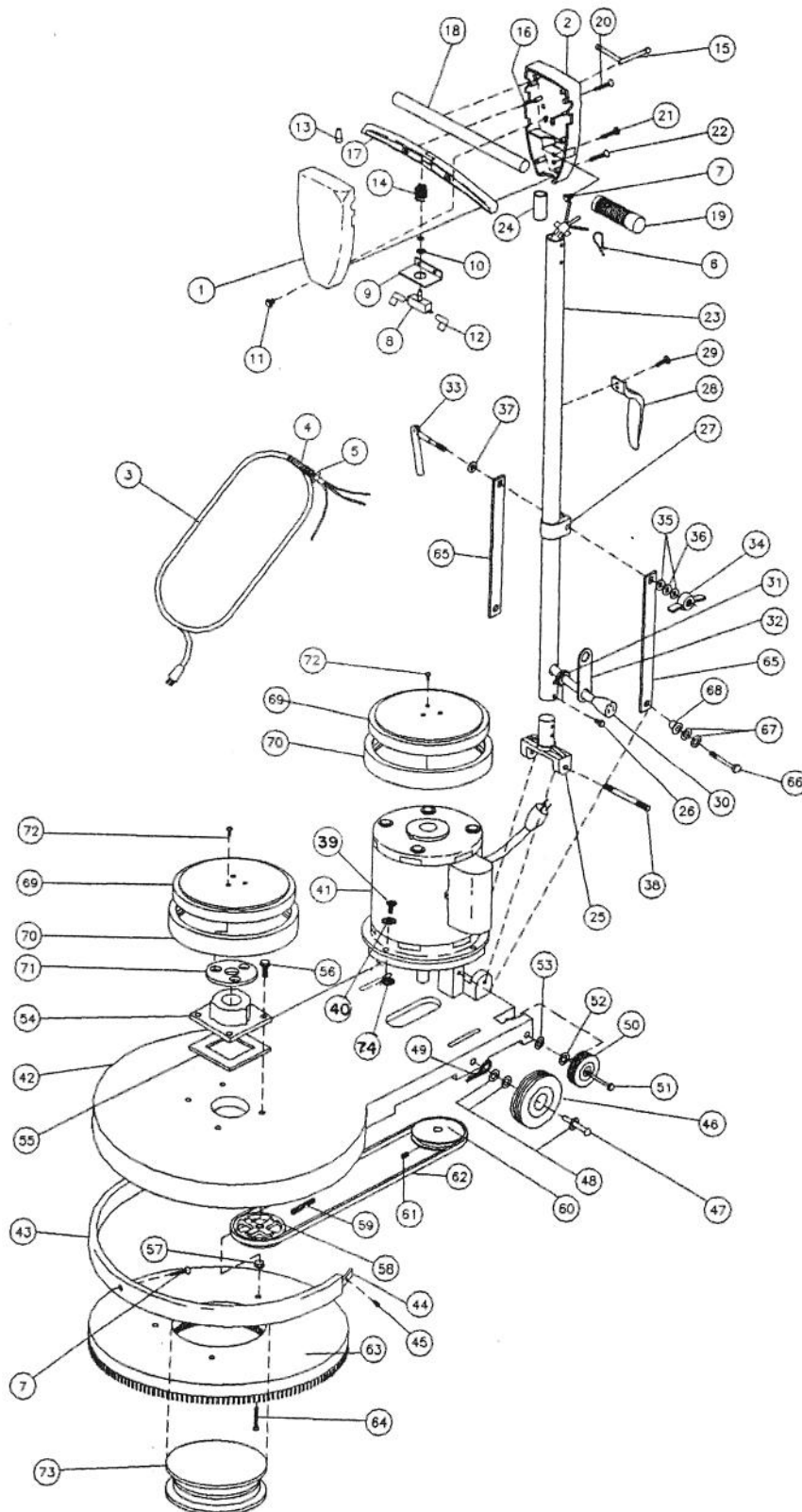


Mercury Floor Machines, Inc.

110 South Van Brunt Street, Englewood, N.J. 07631

"Mercury and Cleaning...they go together!"



PARTS LIST (GLEAM)

ITEM	DESCRIPTION	PART NO.	REQ'D.
1	SWITCH BOX FRONT	A-103	1
2	SWITCH BOX BACK	A-104	1
3	50 FT. 14/3 CABLE	G-14-50	1
4	CABLE STRAIN RELIEF	G-66	1
5	STRAIN RELIEF CLIP	M-212	2
6	STRAIN RELIEF CLAMP - BLACK	M-213	1
7	GROUND WIRE SCREW	B-68	2
8	ON-OFF SWITCH AND PLATE ASSEMBLY	G-30-AB	1
9	SWITCH MOUNTING PLATE	G-30-B	1
10	INT. TOOTH LOCKWASHER - SWITCH	B-35	1
11	SWITCH PLATE SCREW	B-1	2
12	INSULATED FLAG WIRE CONNECTOR	G-48	2
13	WIRE CONNECTOR	G-47	1
14	TRIGGER RETURN SPRING	G-30-C	1
15	SAFETY INTERLOCK ASSEMBLY	SIA-1	1
16	TRIGGER PINS	B-70	2
17	TRIGGERS	A-105	2
18	CROSS BAR	M-211	1
19	HAND GRIP	M-218	2
20	CROSS BAR SCREW	B-22	2
21	HANDLE TUBE SCREW	B-23	2
22	SWITCH BOX CLOSING SCREWS	B-21	4
23	HANDLE TUBE ASSEMBLY	M-206	1
24	HANDLE TUBE INSERT	M-247	1
25	YOKE	A-1001	1
26	YOKE SCREWS	B-18	2
27	SLIDING COLLAR	A-111	1
28	CABLE HOOK	A-164	1
29	CABLE HOOK SCREW	B-2	2
30	HANDLE TUBE CABLE	G-16	1
31	CABLE GROMMET	B-63	1
32	BLACK RUBBER CABLE CONNECTOR	M-249	1
33	COMPLETE CAM ASSEMBLY	CCA	1
34	CAM LOCK WING NUT	B-25	1
35	OVAL HOLE CAM WASHER	B-37	2
36	CAM SPLIT WASHER	B-39	1
37	RECTANGULAR HOLE CAM WASHER	B-67	1
38	YOKE PIN	B-14	1
39	MOTOR MOUNT BOLT - GM	B-141	2
40	3/8 FLAT WASHER	B-28	4
41	GLEAM MOTOR ONLY	MOTOR	1
42a	BASE CASTING - 17"	A-130	1
42b	BASE CASTING - 19"	A-131	1
42c	BASE CASTING - 21"	A-132	1
43a	BUMPER - 17"	M-301	1
43b	BUMPER - 19"	M-302	1
43c	BUMPER - 21"	M-303	1
44a	BUMPER STRAP - 17"	M-301	1

ITEM	DESCRIPTION	PART NO.	REQ'D.
44b	BUMPER STRAP - 19"	M-302	1
44c	BUMPER STRAP - 21"	M-303	1
45	BUMPER SCREW	B-68	3
46	6" WHEELS	M-250	2
47	WHEEL AXLE FOR GM/DC	B-16	2
48	SPRING WASHERS	B-51	6
49	AXLE COTTER PIN	B-142	2
50	SMALL TRANSPORT WHEEL	M-207	2
51	TRANSPORT WHEEL AXLE	B-26	2
52	WASHER	B-75	6
53	LOCK NUT	B-27	2
54	BEARING BLOCK ASSEMBLY	BBA-1	1
55	BEARING BLOCK GASKET	B-145	1
56	BEARING BLOCK ASS'Y MOUNT BOLT	B-144	4
57	MOTOR MOUNT LOCK NUT	B-150	4
58	PULLEY DRIVER	PD-1	1
59	ALLEN HEAD SET SCREW FOR PD	B-149	1
60	PULLEY MOTOR - GM	PM-1	1
61	ALLEN HEAD SET SCREWS FOR PM	B-148	1
62	DRIVE BELT - GM	DB-1	1
63a	PAD DRIVER, 17"	GM-16	1
63b	PAD DRIVER, 19"	GM-18	1
63c	PAD DRIVER, 21"	GM-20	1
63d	FLOPPY DISC DRIVER, 17"	DC-16	1
63e	FLOPPY DISC DRIVER, 19"	DC-18	1
63f	FLOPPY DISC DRIVER, 21"	DC-20	1
64	SCREW	B-22	4
65	STRAIGHT BRACES FOR GM & DC	M-233	2
66	CAP SCREW	B-9	1
67	WASHER	B-28	2
68	STOP NUT	B-10	1
69	66 FR. DRIP CAP COVER	M-242	2
70	66 FR. DRIP CAP COVER BUMPER	M-239	2
71	CORK DRIP CAP GASKET	M-248	2
72	DRIP CAP MOUNT SCREW	B-151	6
73a	BLACK PAD RETAINER - SNAP IN	PR-7	1
73b	YELLOW PAD RETAINER - THREADED	PR-7A	1
74	MOTOR MOUNT LOCK NUT	B-150	2

WHEN ORDERING PLEASE LIST MACHINE MODEL AND SERIAL NUMBER FOUND ON BASE CASTING BETWEEN THE REAR WHEELS.

MINIMUM ORDER - \$15.00 NET

EFFECTIVE DATE MAY 1, 1994